

"THE MATERIAL HEREIN IS FOR INFORMATION PURPOSES ONLY AND IS SUBJECT TO CHANGE WITHOUT NOTICE. DIGITAL EQUIPMENT CORPORATION ASSUMES NO RESPONSIBILITY FOR ANY ERRORS WHICH MAY APPEAR HEREIN."

DRAWING DIRECTORY

"THIS DRAWING AND SPECIFICATIONS, HEREIN, ARE THE PROPERTY OF DIGITAL EQUIPMENT CORPORATION AND SHALL NOT BE REPRODUCED OR COPIED OR USED IN WHOLE OR IN PART AS THE BASIS FOR THE MANUFACTURE OR SALE OF ITEMS WITHOUT WRITTEN PERMISSION. COPYRIGHT © 1981 DIGITAL EQUIPMENT CORPORATION."

FOR FIELD MAINTENANCE PRINT SET
REFER TO B-TC-RLV12-0-1

UNIT VARIATIONS

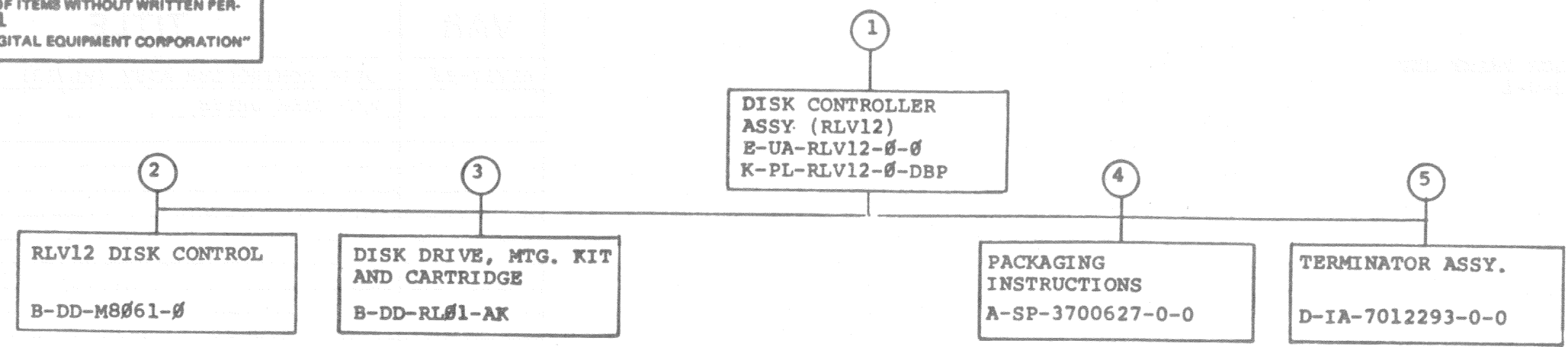
VAR	TITLE
RLV12-00	DISK CONTROLLER ASSY (RLV12)
	W/O DISK DRIVE

REVISIONS CHK CHANGE NO. RLV12-MROOI M. Newman R. FITCH Robert Fitch 15 MAR 82	REV.	B			
	DRN.	DATE	TITLE	digital DRAWING DIRECTORY (RLV12)	
	USED ON OPTION/MODEL	Jim Seard	4-MAR-81		
	RLV12	CHK'D.	DATE		6/25/81
		PROJ. ENG.	DATE		11/5/81
		PROD.	DATE	1/15/82	
SHEET 1 OF 3	SIZE	CODE	NUMBER	REV	
	B	DD	RLV12-0	B	
	DIST.				

MIR

"THIS DRAWING AND SPECIFICATIONS, HEREIN, ARE THE PROPERTY OF DIGITAL EQUIPMENT CORPORATION AND SHALL NOT BE REPRODUCED OR COPIED OR USED IN WHOLE OR IN PART AS THE BASIS FOR THE MANUFACTURE OR SALE OF ITEMS WITHOUT WRITTEN PERMISSION. 1981
COPYRIGHT © DIGITAL EQUIPMENT CORPORATION"

REV. B
NUMBER RLV12-Ø
SIZE CODE B DD



TITLE DRAWING DIRECTORY (RLV12)	SHEET 2 OF 3	SIZE CODE B DD	NUMBER RLV12-Ø	REV B
------------------------------------	--------------	-------------------	-------------------	----------

MR

FIND NO.	DRAWING NO.	DESCRIPTION	TYPE	FIND NO.	DRAWING NO.	DESCRIPTION	TYPE
1	MPØ1282	RLV12 PRINT SET (MP)	-				
	B-TC-RLV12-Ø-1	RLV12 FIELD MAINTENANCE PRINT SET (TC)	-				
	E-UA-RLV12-Ø-Ø	DISK CONTROLLER ASSY, RLV12	E/M				
	K-PL-RLV12-Ø-DBP	DISK CONTROLLER ASSY, (RLV12) (PL)	-				
	A-SP-RLV12-Ø-8	RLV12 ENGINEERING SPECIFICATION	-				
	EK-RLV12-UG	RLV12 DISK CONTROLLER USERS GUIDE	-				
	A-PL-7012938-0-0	UNIT SELECT PLUG KIT	M				
	D-UA-BC8ØM-Ø-Ø	BC8ØM I/O CABLE	E/M				
	A-SP-1212691-01	SW,PB CAP "1/READY" FOR 1212690-00	E/M				
	A-SP-1212691-02	SW,PB CAP "2/READY" FOR 1212690-00	E/M				
	A-SP-1212691-03	SW,PB CAP "3/READY" FOR 1212690-00	E/M				
	B-PL-RLV12-Ø-SH	RLV12 SHIPPING LIST	E/M				
2	B-DD-M8Ø61-Ø	RLV12 DISK CONTROL	E/M				
3	B-DD-RLØ1-AK	DISK DRIVE, MTG. KIT AND CARTRIDGE	E/M				
4	A-SP-3700627-0-0 9906309-02	PACKAGING INSTRUCTION DIE CUT CARTON W/FOAM	-				
5	D-IA-7012293-0-0	TERMINATOR ASSY	M				
	A-DC-7416678-0-0	LOGO, TERMINATOR	M				

TYPE: E ELECTRICAL
M MECHANICAL
E/M ELECTRO/MECHANICAL

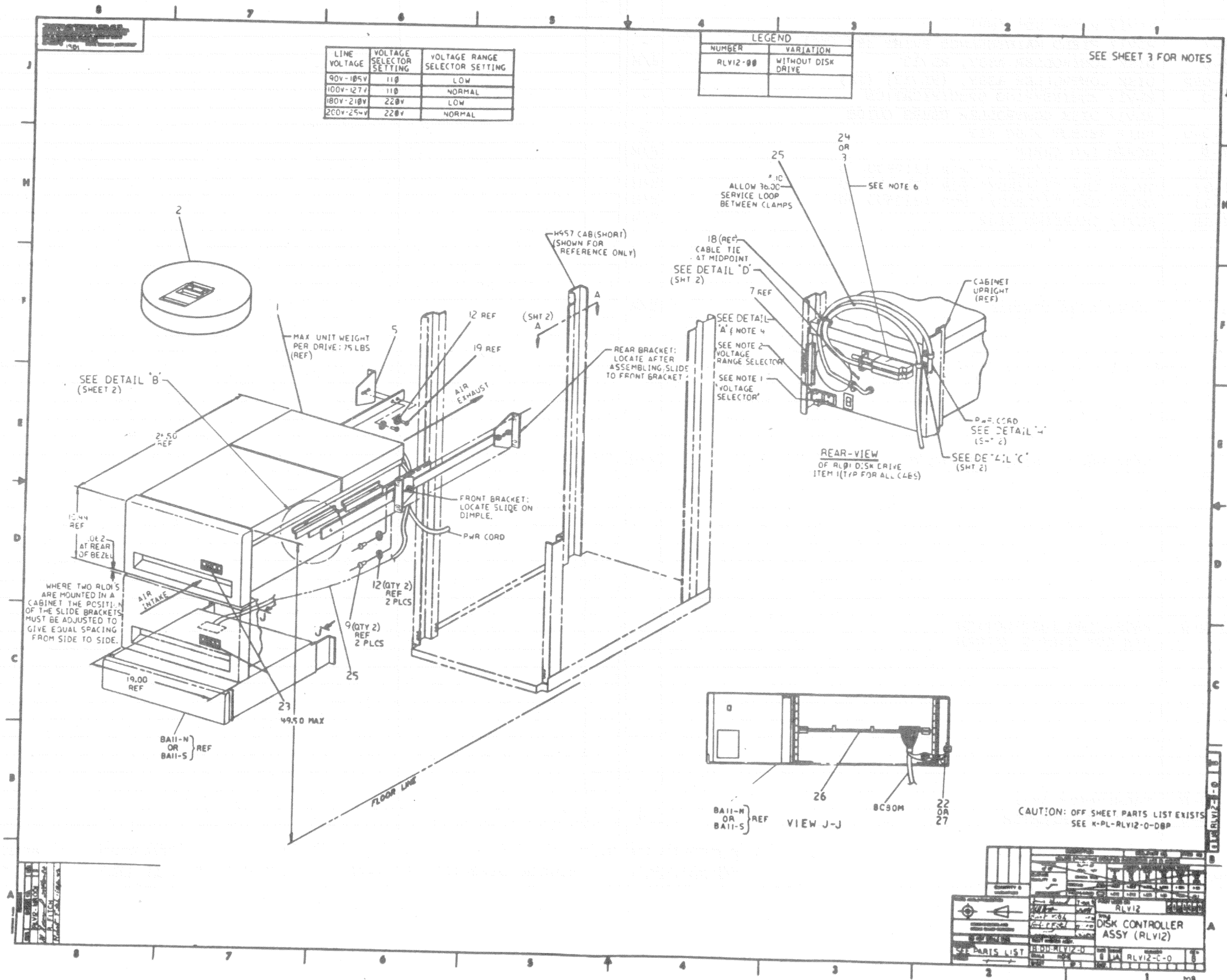


TITLE
DRAWING DIRECTORY (RLV12)

SHEET 3 OF 3
SIZE CODE
B DD

NUMBER
RLV12-Ø

REV
B



LINE VOLTAGE	VOLTAGE SELECTOR SETTING	VOLTAGE RANGE SELECTOR SETTING
90V-105V	110	LOW
100V-127V	110	NORMAL
180V-210V	220V	LOW
200V-254V	220V	NORMAL

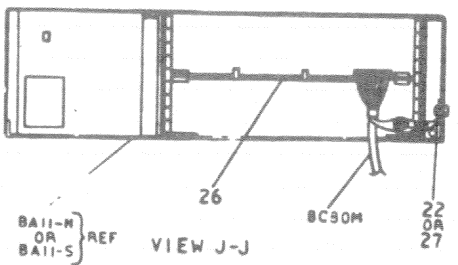
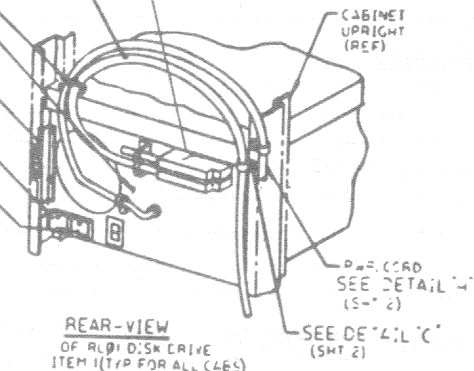
LEGEND	
NUMBER	VARIATION
RLV12-00	WITHOUT DISK DRIVE

SEE SHEET 3 FOR NOTES

WHERE TWO RLO'S ARE MOUNTED IN A CABINET THE POSITION OF THE SLIDE BRACKETS MUST BE ADJUSTED TO GIVE EQUAL SPACING FROM SIDE TO SIDE.

18 (REF) CABLE TIE AT MIDPOINT SEE DETAIL 'D' (SHT 2)

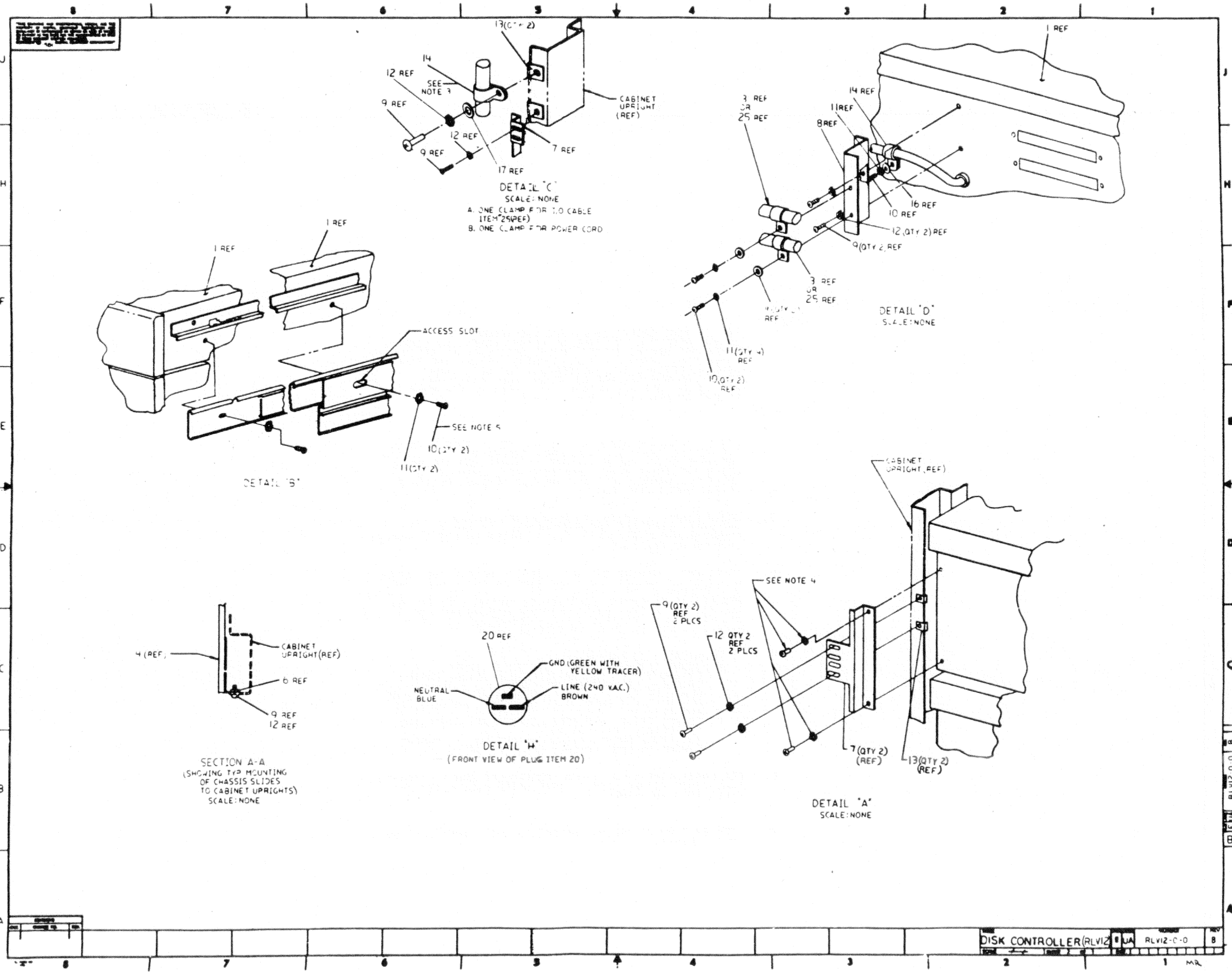
REAR-VIEW OF RLO DISK DRIVE ITEM 1 (TYP FOR ALL CABS)

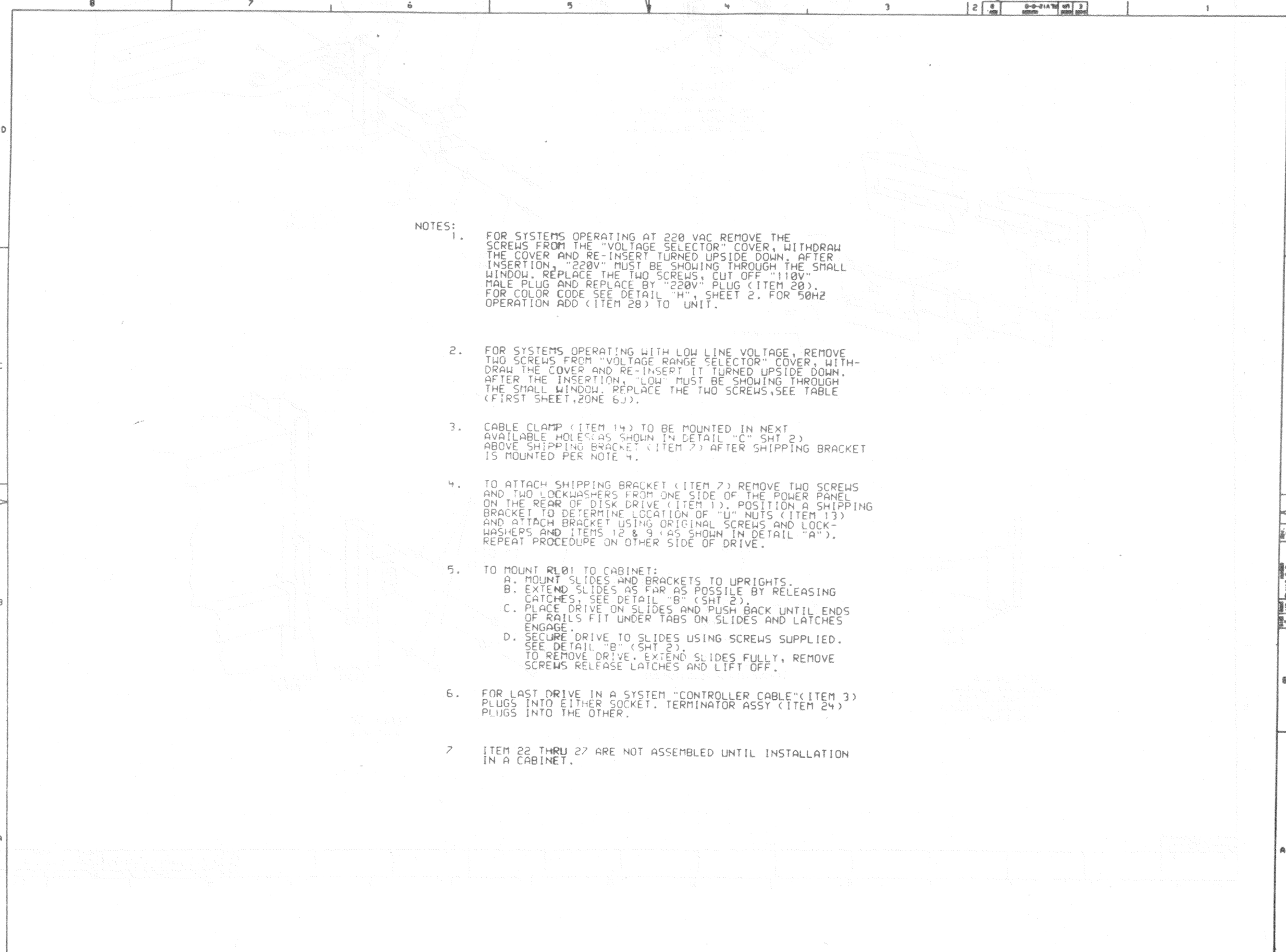


CAUTION: OFF SHEET PARTS LIST EXISTS SEE K-PL-RLV12-0-DBP

REV	DESCRIPTION	DATE	BY	CHKD
1	ISSUED FOR PRODUCTION			
2	REVISED TO ADD DISK DRIVE			

DISK CONTROLLER ASSY (RLV12)	RLV12	000000
OFF SHEET PARTS LIST	RLV12-0-0	





NOTES:

1. FOR SYSTEMS OPERATING AT 220 VAC REMOVE THE SCREWS FROM THE "VOLTAGE SELECTOR" COVER, WITHDRAW THE COVER AND RE-INSERT TURNED UPSIDE DOWN. AFTER INSERTION, "220V" MUST BE SHOWING THROUGH THE SMALL WINDOW. REPLACE THE TWO SCREWS, CUT OFF "110V" MALE PLUG AND REPLACE BY "220V" PLUG (ITEM 20). FOR COLOR CODE SEE DETAIL "H", SHEET 2. FOR 50HZ OPERATION ADD (ITEM 28) TO UNIT.
2. FOR SYSTEMS OPERATING WITH LOW LINE VOLTAGE, REMOVE TWO SCREWS FROM "VOLTAGE RANGE SELECTOR" COVER, WITHDRAW THE COVER AND RE-INSERT IT TURNED UPSIDE DOWN. AFTER THE INSERTION, "LOW" MUST BE SHOWING THROUGH THE SMALL WINDOW. REPLACE THE TWO SCREWS, SEE TABLE (FIRST SHEET, ZONE 6J).
3. CABLE CLAMP (ITEM 14) TO BE MOUNTED IN NEXT AVAILABLE HOLE AS SHOWN IN DETAIL "C" SHT 2) ABOVE SHIPPING BRACKET (ITEM 7) AFTER SHIPPING BRACKET IS MOUNTED PER NOTE 4.
4. TO ATTACH SHIPPING BRACKET (ITEM 7) REMOVE TWO SCREWS AND TWO LOCKWASHERS FROM ONE SIDE OF THE POWER PANEL ON THE REAR OF DISK DRIVE (ITEM 1). POSITION A SHIPPING BRACKET TO DETERMINE LOCATION OF "U" NUTS (ITEM 13) AND ATTACH BRACKET USING ORIGINAL SCREWS AND LOCKWASHERS AND ITEMS 12 & 9 (AS SHOWN IN DETAIL "A"). REPEAT PROCEDURE ON OTHER SIDE OF DRIVE.
5. TO MOUNT RL01 TO CABINET:
 - A. MOUNT SLIDES AND BRACKETS TO UPRIGHTS.
 - B. EXTEND SLIDES AS FAR AS POSSIBLE BY RELEASING CATCHES, SEE DETAIL "B" (SHT 2).
 - C. PLACE DRIVE ON SLIDES AND PUSH BACK UNTIL ENDS OF RAILS FIT UNDER TABS ON SLIDES AND LATCHES ENGAGE.
 - D. SECURE DRIVE TO SLIDES USING SCREWS SUPPLIED. SEE DETAIL "B" (SHT 2). TO REMOVE DRIVE, EXTEND SLIDES FULLY, REMOVE SCREWS RELEASE LATCHES AND LIFT OFF.
6. FOR LAST DRIVE IN A SYSTEM "CONTROLLER CABLE"(ITEM 3) PLUGS INTO EITHER SOCKET. TERMINATOR ASSY (ITEM 24) PLUGS INTO THE OTHER.
7. ITEM 22 THRU 27 ARE NOT ASSEMBLED UNTIL INSTALLATION IN A CABINET.

REV	DESCRIPTION	DATE	BY

400000	DATE	REV	TITLE
			DISK CONTROLLER ASSY (RLV12)

LINE	ITEM	DOCUMENT NUMBER	PART NUMBER	DESCRIPTION	QUANTITY PER VARIATION
1	1	E-UA-RL01-AK-0	ORL01-AK	RL01-A + RL01K-DC,115/230V	REF
2	2	E-UA-RL01K-DC-0	RL01K-DC	RL01 DATA PACK	REF
3	3		RC21Z-XX	SHIELDED I/O CABLE,RL01/RL02,PAS	REF
4	4	SEE NOTE 1	1213686-00	CHASSIS SLIDE SET INCLUDED 1 L.H.	REF
5	5	A-MD-7419261-0-0	7419261-00	BRACKET CHASSIS SLIDE	REF
6	5	C-MD-7419262-0-0	7419262-00	PAR NUT	REF
7	7	C-MD-7419856-0-0	7419856-00	BRKT, RL01 SHIPPING	REF
8	8	C-IA-7419857-0-0	7419857-00	BRKT. CABLE SUPPORT	REF
9	9		9006073-01	SCREW,PAN,PHIL 10-32X 1/2 SS	REF
10	10		9005021-01	SCREW,PAN,PHIL 6-32X 5/16 SS	REF
11	11		9007549-00	WASHER, LOCK, EXTERNAL TOOTH #5	REF
12	12		9007651-00	WASHER, LOCK, EXTERNAL TOOTH #10	REF
13	13		9007786-00	RETAINER, U-NUT, 10-32	REF
14	14		9007085-00	CLAMP,CABLE,SCREW MTD. 1/2 "	1
15	15	A-SP-3700627-0-0	3700627-01	PKG OPTION RLV12	1
16	16		9006553-00	WASHER, FLAT, .375 D.J. X .156 I	REF
17	17		9006668-00	WASHER, FLAT 5/8 ODK 13/64IDX.032	REF
18	18		9007031-00	TIE,CABLE BUNDL.DIA 0- 3/4"=101	REF
19	19		9005039-04	SCREW,BIND,SLJT 8-32X 1/2 SS	REF
20	20		9008053-00	CONN,POWER 02P03W PLUG NEMA 06-1	REF
21	21	A-PL-H9504-2-0	H9504-00	REAR DOOR, HIBOY PULLEY SLOTTED S	REF
22	22		9006563-00	NUT,KEP 8-32X 11/16AF	1
23	23	A-PL-7012938-0-0	7012938-00	*** THIS ITEM IS NOT USED ***	-
24	24	D-IA-7012293-0-0	7012293-00	TERMINATOR ASSEMBLY	1
25	25	D-UA-8C804-0-0	8C804-06	RLV12 TO FIRST DRIVE,6FT	1
26	26	D-UA-M8061-0-0	M8061-00	RL01/RL02 DISK CONTROL,22-BIT AD	1
27	27		9010174-01	SCREW,PAN,PHIL,SEMS 8-32X .31 L	1
28	28	SEE NOTE 2	3617674-00	LABEL,SERIAL & POWER,UNIVERSAL	REF
29	29		PKRLV12-UC	RLV12 DISK CONTROLLER JSRS GUID	1
30	30		ORL02-FA	*** THIS ITEM IS NOT USED ***	-

REVISION HISTORY			SPECIFIC PART NO: RLV12		DRAWN: JIM SICARD		DATE: 24-FEB-81		INITIALS	
ENGR	ECO NUMBER	REV	SECTION A	OF A	CHK'D:	DATE:	TITLE	PARTS LIST		
RE	PLV12-M8001	B	SECTION. VARIATION INDEX	[A] 00	BILL HOVEY	3-SEP-81	DISK CONTROLLER ASSY (RLV12)			
			[B]		ROBERT FITCH	14-SEP-81				
			[C]		ROBERT FITCH	14-SEP-81	DOCUMENT NUMBER			
			[D]		J. LONGO	14-SEP-81	SIZE CODE NUMBER	REV		
			[E]		ASSEMBLY NUMBER:	TOP DOCUMENT NUMBER:	FILE NAME:	EDIT #		
					E-UA-RLV12-0-0	#B-00-RLV12-0	Z3133B.PLS	21		

"THIS DRAWING AND SPECIFICATIONS HEREIN, ARE THE PROPERTY OF DIGITAL EQUIPMENT CORPORATION AND SHALL NOT BE REPRODUCED OR COPIED OR USED IN WHOLE OR IN PART AS THE BASIS FOR THE MANUFACTURE OR SALE OF ITEMS WITHOUT WRITTEN PERMISSION. COPYRIGHT (C) 1982. DIGITAL EQUIPMENT CORPORATION"

MR

AUTOMATED BY PRTLST.3P(44)

PARTS LIST

SHEET A2 OF A2

LINE	ITEM	DOCUMENT NUMBER	PART NUMBER	DESCRIPTION	QUANTITY PER VARIATION
					CO
31	31		1212691-01	LENS, ENCODER SW"1/READY"	1
32	32		1212691-02	LENS, ENCODER SW"2/READY"	1
33	33		1212691-03	LENS, ENCODER SW"3/READY"	1
34	34		SKRLV12-CG	RLV12 DISK CONTROLLER CNF. SHEE	1

35 NOTE: 1 ITEMS #2 THRU #14 & #16 THRU #21 AND #28 ARE SUPPLIED WITH DRIVE
 36 NOTE: - AND LISTED ON E-UA-PL02-AK-0.
 37 NOTE: 2 REFER TO NOTE #1 ON SHEET 3 OF UA FOR INSTRUCTIONS.

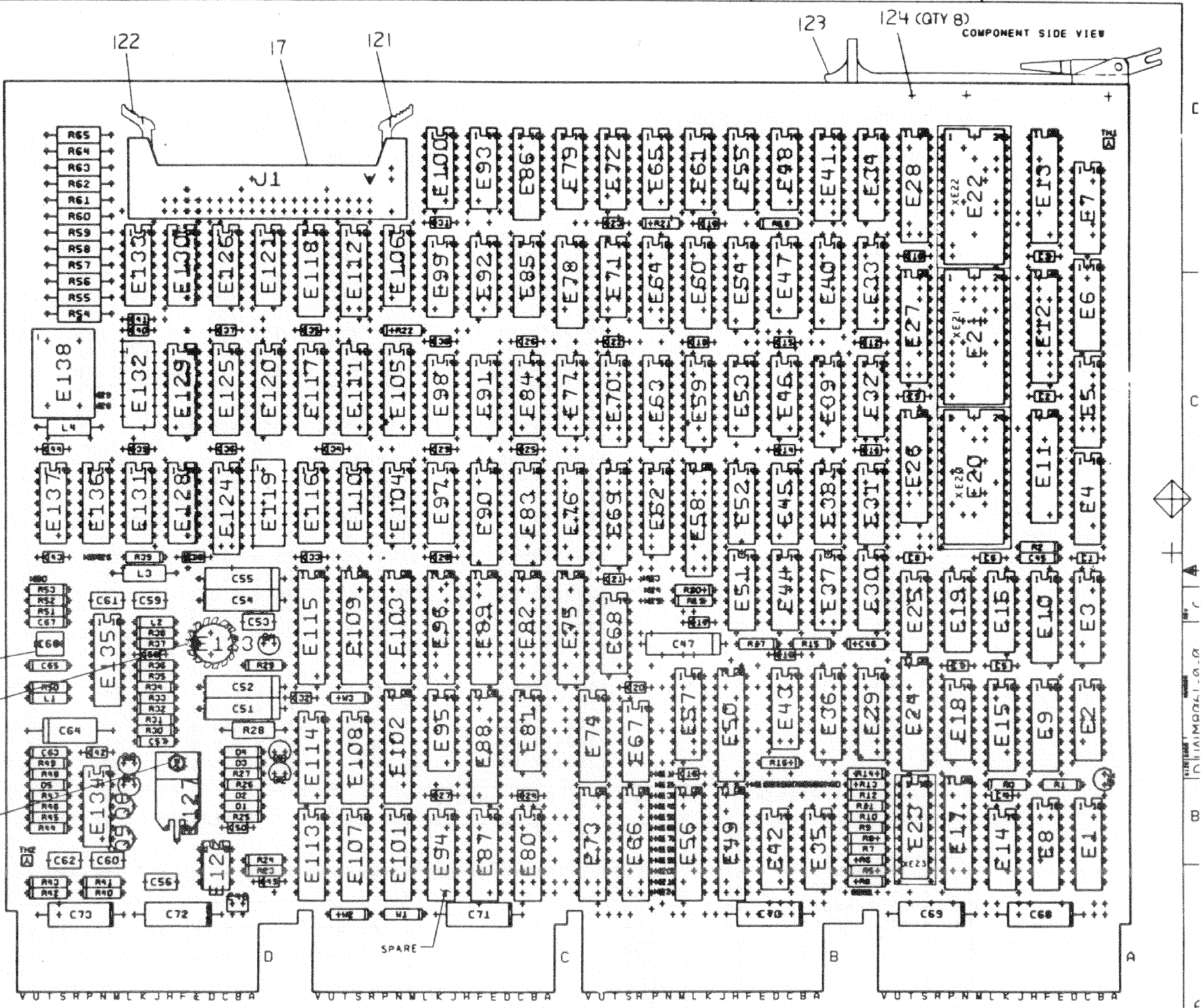
D	I	G	I	T	A	L	TITLE	SECTION	OF	SIZE	CODE	DOCUMENT NUMBER	REV
							DISK CONTROLLER ASSY (RLV12)	A			PL	RLV12-0-DBP	B

MR

THIS DRAWING AND SPECIFICATIONS, HEREIN, AND THE PROPERTY OF BELL TELEPHONE CORPORATION AND SHALL NOT BE REPRODUCED OR COPIED IN WHOLE OR IN PART IN ANY MANNER FOR THE CONSTRUCTION OF THIS OR ANY OTHER DEVICE WITHOUT PERMISSION. COPYRIGHT © 1987 BELL TELEPHONE CORPORATION

JUMPER SHIP CONFIGURATION			
CONFIGURATION	WIRE WRAP PINS FROM	WIRE WRAP PINS TO	LEVEL
ADDRESS 22 BIT I/O PAGE	M1	M2	L1
22 BIT ADDRESS BAE REGISTER ENABLE	M11	M12	L1
VECTOR ADDRESS (160)	M3	M5	L1
	M7	M8	L1
	M6	M7	L2
DEVICE ADDRESS (774400)	M17	M20	L1
	M21	M22	L1
	M20	M21	L2
PARITY ERROR ABORT ENABLE	M24	M25	L1
PARITY ERROR ABORT DISABLE	M23	M24	L1
VCO CLOCK	M26	M27	L1
CRYSTAL CLOCK	M28	M29	L1

0 = NOT INSTALLED
 L1 = LEVEL ONE
 L2 = LEVEL TWO
 SEE NOTE 1



SEE NOTE 2

NOTES: 1. WIRE WRAP JUMPERS ARE INSTALLED AFTER THE MODULE HAS SUCCESSFULLY PASSED MODULE TEST.
 2. C66 IS NOT COMPATIBLE WITH WAVE SOLDER OR AQUEOUS WASH.
 3. E94 IS A SPARE

STEP E	+ Y AXIS	STEP 2	TIMES
REPEAT	+ X AXIS	STEP 2	TIMES

CHANGE NO	REV
M8061-MR3	C
M. MLYNARCZYK	

ETCH REV.	C-P4
-----------	------

SIGNATURES		DATE
DRN.		
CHK D.		
MECH. ENG.		
PROJ. ENG.		
PROD.		
SCALE	2:1	
SHT.	1 OF 1	
NEXT HIGHER ASSY. 3-DD M8061-0		

digital	
TITLE	M8061 RLV12
SIZE	CODE
NUMBER	REV
0 UA M8061-0-0	C

AUTOMATED BY PRTLST.3P(44)

PARTS LIST

MR
SHEET A1 OF A4

LINE	ITEM	DOCUMENT NUMBER	PART NUMBER	DESCRIPTION	QTY PER VARIATION	REFERENCE DESIGNATOR
1	1	D-MD-5014398-0-0	5014398-00	DRILL AND FITCH BD.	1	
2	2		1012784-00	.047 MFD 50V +80-20% CER	47	C1-C44, C49, C50, C58
3	3		1013466-09	1000.0 MMF 50V 10% X7R CER	1	C45
4	4		1013466-07	270.0 MMF 50V 5% CER	2	C46, C57
5	5		1005306-00	6.8 MFD 35V 10% S.TANT	5	C47, C51, C52, C54, C55
6	6		1011740-00	5600.0 MMF 50V 10% CER	1	C48
7	7		1010279-01	.47 MFD 25V 20% CER	6	C53, C56, C59-C62
8	8		1013466-08	680.0 MMF 50V 10% X7R CER	2	C57, C58
9	9		1010646-00	.015 MFD 50V 2% M.POLYCARB	1	C64
10	10		1013466-02	18.0 MMF 50V 5% CER	1	C55
11	11		1016628-00	7.0 MMF TO 30.0 MMF TRIMMER	1	C65
12	12		1017472-00	10 MFD 35V +50-10% AL EL	5	C68, C70-C73
13	13		1018237-00	.0047 MFD 100V 1% POLYPROP	1	C59
14	14		1109991-00	1N 754A VZ= 6.8 5% .40d	2	D1, D2
15	15		1105275-00	D 672 TR= 15NS PIV= 60V SI	2	U3, U4
16	16		1111577-00	1N 4454 TR= 4NS PIV= 50 S	1	D5
17	17		1209941-02	PCB, HEADER 40PIN(2X20).100CC 90D	1	J1
18	18		1301475-00	1.10 K .25 W 5.0 % CC	1	R1
19	19		1304939-00	51.0 K .25 W 5.0 % CC	1	R2
20	20		1300365-00	1.0 K .25 W 5.0 % CC	8	R3, R14, R16, R19, R21, R22, R29, R39
21	21		1300295-00	330.0 .25 W 5.0 % CC	4	R4, R5, R9, R11
22	22		1301424-00	680.0 .25 W 5.0 % CC	4	R5, R7, R8, R10
23	23		1305114-00	3.48 K .25 W 1.0 % RN55D-F10	1	R12
24	24		1302873-00	261.0 .25 W 1.0 % RN55D-F10	1	R13
25	25		1304956-00	4.64 K .25 W 1.0 % RN55D-F10	1	R15
26	26		1302397-00	180.0 K .25 W 5.0 % CC	1	R17
27	27		1300229-00	100.0 .25 W 5.0 % CC	5	R18, R20, R35, R36, R43
28	28		1312930-00	5.10 K .25 W 5.0 % CC	1	R23
29	29		1300417-00	2.20 K .25 W 5.0 % CC	1	R24
30	30		1300247-00	120.0 .25 W 5.0 % CC	1	R25

REVISION HISTORY		BASIC PART NO: M8061		DRN:	R.W.CAUNTER	DATE:	29-OCT-80	DIGITAL			
ENGR	ECO NUMBER	REV	SECTION A OF A	CHK'D:	R.W.CAUNTER	DATE:	29-JAN-81	PARTS LIST			
	INITIAL	IA	SECTION VARIATION INDEX	DES.ENG:	M.MLYNARCZYK	DATE:	29-JAN-81	DOCUMENT NUMBER			
MM	M8061-MR001	IB	[A] 00	RESP.ENG.:	R.FITCH	DATE:	29-JAN-81	SIZE	CODE	NUMBER	REV
RF	M8061-MR002	IC	[B]	MPG.ENG.:	J.LJNSO	DATE:	18-FEB-81	K	PL	M8061-0-DBP	D
MM	M8061-MR003	ID	[C]	ASSEMBLY NUMBER:	ID-UA-M8061-0-0	TOP DOCUMENT NUMBER:	FB-DD-M8061-0	FILE NAME:		21949D.PLS	EDIT #
			[D]								33

"THIS DRAWING AND SPECIFICATIONS HEREIN, ARE THE PROPERTY OF DIGITAL EQUIPMENT CORPORATION AND SHALL NOT BE REPRODUCED OR COPIED OR USED IN WHOLE OR IN PART AS THE BASIS FOR THE MANUFACTURE OR SALE OF ITEMS WITHOUT WRITTEN PERMISSION. COPYRIGHT (C) 1982. DIGITAL EQUIPMENT CORPORATION"

MR

2

LINE	ITEM	DOCUMENT NUMBER	PART NUMBER	DESCRIPTION	QTY	PER VARIATION	REFERENCE DESIGNATOR
					00		
31	31		1300271-00	220.0 .25 W 5.0 t CC	2		R26,R27
32	32		1309444-00	2.70 .50 W10.0 t CC	1		R28
33	33		1300316-00	470.0 .25 W 5.0 t CC	2		R30,R33
34	34		1300398-00	1.80 K .25 W 5.0 t CC	1		R31
35	35		1305126-00	619.0 .25 W 1.0 t RN550-F10	2		R32,R47
36	36		1301320-00	1.20 K .25 W 5.0 t CC	1		R34
37	37		1309413-00	3.83 K .25 W 1.0 t RN550-F10	1		R37
38	38		1302612-00	1.78 K .25 W 1.0 t RN550-F10	1		R38
39	39		1303067-00	422.0 .25 W 1.0 t RN550-F10	2		R40,R41
40	40		1311653-00	2.15 K .25 W 1.0 t RN550-F10	1		R42
41	41		1305122-00	51.10 .25 W 1.0 t RN550-F10	2		R44,R46
42	42		1302956-00	196.0 .25 W 1.0 t RN550-F10	1		R45
43	43		1302871-00	1.21 K .25 W 1.0 t RN550-F10	2		R48,R49
44	44		1302874-00	147.0 .25 W 1.0 t RN550-F10	1		R50
45	45		1302941-00	14.70 K .25 W 1.0 t RN550-F10	1		R51
46	46		1300479-00	10.0 K .25 W 5.0 t CC	1		R52
47	47		1300447-00	4.70 K .25 W 5.0 t CC	1		R53
48	48		1301781-00	87.0 .50 W 5.0 t CC	12		R54-R55
49	49		1300005-05	R NETWORK 13-82 5.0 t 14PIN	1		E121
50	50		1510705-00	XA 05 NPN 500MW SI 60 50 P	2		E1, E3
51	51		1510706-00	XA 55 PNP 500MW SI 60 50 P	2		E2, E4
52	52		1503029-00	2N 3640 PNP 200MW SI	2		E5, E5
53	53		1513489-00	2N 4401 NPN 350MW SI 40 20	1		E7
54	54		1513490-00	2N 4403 PNP 350MW SI-40 30	1		E8
55	55		1603358-00	12.0 UH 10t 300MA #DD12.0	2		E1, E2
56	56		1616653-01	DELAY= 100NS, 10TAPS WITH TTLBU	1		E117
57	57		1616653-00	DELAY= 50NS, 10TAPS WITH TTLBU	1		E132
58	58		1811660-12	OSCILLATOR XTAL 8.200 MHZ	1		E133
59	59		1911579-00	8641 TRANSCEIVER, BUS, QUA	2		E1, E8
60	60		1912815-00	LS30 NAND GATE-SINGLE BIN	1		E2
61	61		1912837-00	LS123 ONE SHOT-DUAL, RETRIC	1		E3
62	62		1912834-00	LS112 FF-JK, DUAL, EDGE TRIG	2		E4, E5
63	63		1912854-00	LS193 COUNTER, SYNCHR, 4BIT,	2		E6, E34
64	64		1911675-00	74S138 DECODER/DEMUX 3-8 LIN	1		E9
65	65		1912860-00	LS259 LATCH 8BIT	3		E10, E33, E39
66	66	SEE NOTE #1	1916680-00	2911 SEQUENCER, MICROPROGR	3		E11-E13
67	67		1909705-00	DEC 8881 NAND GATE-DUAL 2IN 0	2		E14, E42
68	68		1912853-00	LS175 FF-D QUAD	1		E15
69	69		1912832-00	LS107 FF-JK DUAL MASTER/SL	3		E16, E65, E93
70	70		1914038-00	DC 010 BIPOLAR, MEM ADDRESS, L	1		E17
71	71		1912803-00	LS04 INVERTER GATE, HEX	3		E18, E51, E71
72	72		1912824-00	LS74 FF-D DUAL, EDGE TRIGG	6		E19, E31, E48, E68, E79, E106
73	73		1912730-00	DC 003 INTERRUPT, 2 CIRCUIT	1		E23
74	74		1912729-00	DC 004 PROTOCOL, REG. SELECT	1		E24
75	75		1912820-00	LS51 A-O-I GATE 2-WIDE 2I	3		E25, E72, E84
76	76		1912863-00	LS273 FF-D DUAL w/CLEAR	3		E25-E28
77	77		1912842-00	LS138 DECODER-THREE INPUT,	2		E29, E40
78	78		1912801-00	LS02 NOR-GATE-DUAL 2IN	3		E30, E32, E95

D I G I T I A L		TITLE	SECTION A OF A	SIZE CODE	DOCUMENT NUMBER	REV
		48061 RLV12		K PL	M8061-0-DBP	D

ME

AUTOMATED BY PRTLSJ.P(44)

PARTS LIST

MR
SHEET A3 OF A4

LTNE	ITEM	DOCUMENT NUMBER	PART NUMBER	DESCRIPTION	QTY PER VARIATION	REFERENCE DESIGNATOR
					00	
79	79		1914888-00	74S09N AND-GATE-QUAD 2INPUT	1	E35
80	80		1912849-00	LS161 COUNTER, SYNCHR, 4BIT	2	E35, E125
81	81		1912816-00	LS32 OR GATE-QUAD 2IN, POS	1	E37
82	82		1912805-00	LS08 AND GATE-QUAD 2IN, PO	2	E38, E67
83	83		1910548-00	74S157 MUX 1 OF 2 (QUAD)	1	E41
84	84		1915932-00	LS125 BUFFER, QUAD BUS	1	E43
85	85		1913340-00	74S32 OR GATE-QUAD 2IN	1	E44
86	86		1912388-00	74S02 NOR GATE-QUAD 2IN, PO	3	E45, E92, E137
87	87		1912813-00	LS27 NOR GATE-TRIPLE 3IN	2	E46, E91
88	88		1910532-00	74S00 NAND GATE-QUAD 2IN	2	E47, E97
89	89		1913040-00	DC 005 TRANSCEIVER 4BIT	4	E49, E56, E66, E73
90	90		1915193-00	LS244 DRIVER, LINE, OCTAL, T	2	E53, E39
91	91		1912807-00	LS10 NAND GATE-TRIPLE 3IN	1	E52
92	92		1910534-00	74S04 INVERTER GATE-HEX II	4	E53, E61, E81, E77
93	93		1912697-00	LS174 FF-D HEX 4/CLEAR	7	E54, E57, E59, E60, E63, E70, E117
94	94		1910544-00	74S74 FF-D DUAL, EDGE TRIGG	6	E55, E35, E104, E128, E131, E136
95	95		1914035-00	DC 006 RIPOLAR, BUS ADDRESS	3	E58, E88, E102
96	96		1912844-00	LS151 MUX 1 OF 8 & DATA	3	E64, E70, E129
97	97		2114212-00	P 2114-2 RAM, 1024X4, STATIC	4	E69, E76, E83, E90
98	98		1912847-00	LS157 MUX 1 OF 2 (QUAD)	1	E74
99	99		1912868-00	LS299 SHIFT REG. 8-BIT UNI	2	E75, E32
100	100		1912951-00	DM R556 COUNTER, BINARY, 4BIT	5	E90, E97, E101, E106, E114
101	101		1910547-00	74S153 MUX 1 OF 4 (DUAL)	1	E85
102	102		1914214-00	LS374 FF-D OCTAL EDGE TRIG	4	E96, E103, E109, E115
103	103		1913474-00	9401 GENERATOR/CHECKER CR	1	E98
104	104		1912096-00	DEC 74S86 XOR GATE, QUAD 2IN	1	E99
105	105		1911712-00	74S51 AND-OR GATE-INVERT D	1	E100
106	106		1910956-00	74S151 MUX 1 OF 8	1	E105
107	107		1913839-00	LS165 SHIFT REG., 8BIT	2	E107, E113
108	108		1912389-00	74S08 AND GATE-QUAD 2IN, PO	1	E110
109	109		1911341-00	75113 DRIVER, LINE, DUAL, 4A	3	E111, E112, E119
110	110		1910542-00	74S64 A-O-I GATE 4-2-3-2	1	E115
111	111		23219A1-00	A1-07	1	E120
112	112		1911944-00	555CN TIMER, FUNCT. BLOCK	1	E122
113	113		1912541-00	79M05 VOLT REG, FIX -5V	1	E123
114	114		1910545-00	74S112 FF-JK DUAL, EDGE TRIG	1	E124
115	115		1910268-00	DEC 751078 RECEIVER, LINE, DUAL,	3	E126, E130, E133
116	116		1912536-01	7805 VOLT REG, FIX +5V	1	E127
117	117		1913017-00	3046 XSISTOR ARRAY, 3 IS3L	1	E134
118	118		1911911-00	DEC 74S124 OSCILLATOR, DUAL VOLT	1	E135
119	119		9009149-01	PIN, STAKING 0.235 HX0.345LG SQUA	30	M1-M30
120	120		9009185-00	JUMPER, WIRE, INSULATED, BLACK B	3	#1-W3
121	121		1209941-03	PCR, HEADER LATCH	1	
122	122		1209941-04	PCR, HEADER LATCH	1	
123	123		1213113-01	HANDLE, MODULE,	1	
124	124		9000024-01	FYELFT, ROLLED 0.1210DX0.192	3	
125	125		9007201-00	TRANSIPADS #10253	1	
126	126		1210001-00	HEAT SINKS, TO-5 .500DX0.25	1	

D	I	G	I	T	A	L	TITLE	M8061	SECTION A OF A	SIZE	CODE	DOCUMENT NUMBER	REV
							RLV12			K	PL	M8061-0-DAP	D

MR 14

AUTOMATED BY PRILST.3P(44)

PARTS LIST

ME
SHEET A4 OF A4

LINE	ITEM	DOCUMENT NUMBER	PART NUMBER	DESCRIPTION	QTY PER VARIATION 00	REFERENCE DESIGNATOR
127	127		9006010-01	SCREW,PAN,PHTL 4-40X 5/16 SS	1	
128	128		9009990-00	NUT,KEP , 4-40 X1/4 AP	1	
129	129		23963A9-00	A9-01	1	E7
130	130		23134F3-00	F3-03	1	E22
131	131		23172F3-00	F3-03	1	E21
132	132		23136F3-00	F3-03	1	E20
133	133		23587A2-00	A2-05	1	E62
134	134		1215006-06	SKT,IC 24PIN DIP TIN PLATE	3	XE20-XE22
135	135		9105740-55	WIRE(WRAP)30AWG UL1423	A/R	
136	136		1215006-04	SKT,IC 20PIN DIP TIN PLATE	1	XE23
137	137		1618238-02	BEAD,FERRITE .138ODX.330LG	2	L3,L4
138	138		9107254-00	*** THIS ITEM IS NOT USED ***	-	

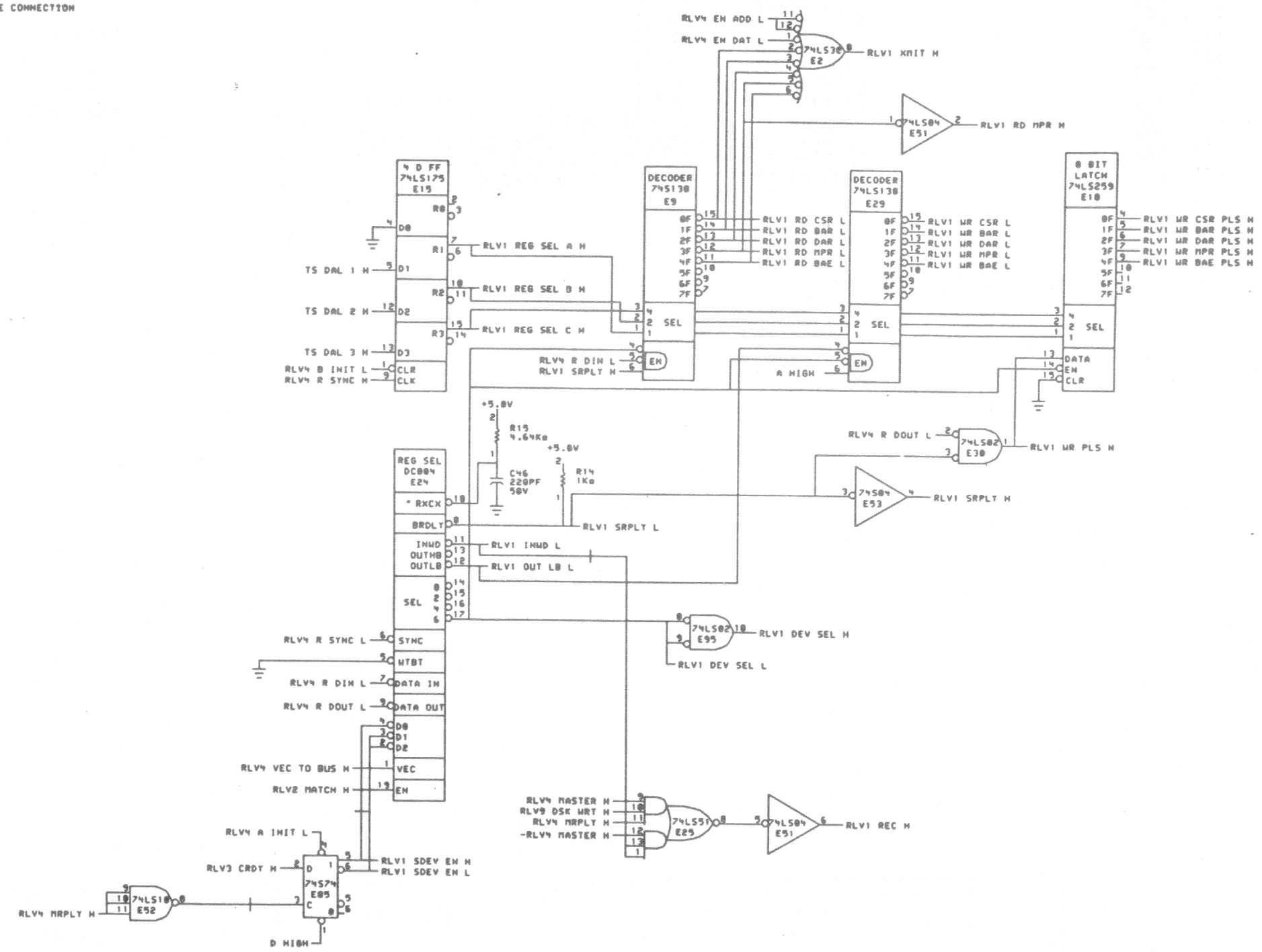
139 NOTE: 1. 1916680-01(2911-A) IS AN ALTERNATE PART FOR 1916680-00(2911).

D	I	G	I	T	A	L	TITLE	M8061	SECTION A OF A	SIZE/	CODE/	DOCUMENT NUMBER	REV
							RLV12			K	PL	M8061-0-DBP	D

MR

NOTE:  DENOTES BACKPLANE CONNECTION

- BD2 — +12V
- BA2 — +5.0V 1
- BA2 — +5.0V 2
- BA1 — +5.0V 3
- CA2 — +5.0V 4
- DA2 — +5.0V 5
- AC2 — GND 1
- AJ1 — GND 2
- AM1 — GND 3
- AT1 — GND 4
- BC2 — GND 5
- BJ1 — GND 6
- BM1 — GND 7
- BT1 — GND 8
- CC2 — GND 9
- CT1 — GND 12
- DC2 — GND 13
- DT1 — GND 16

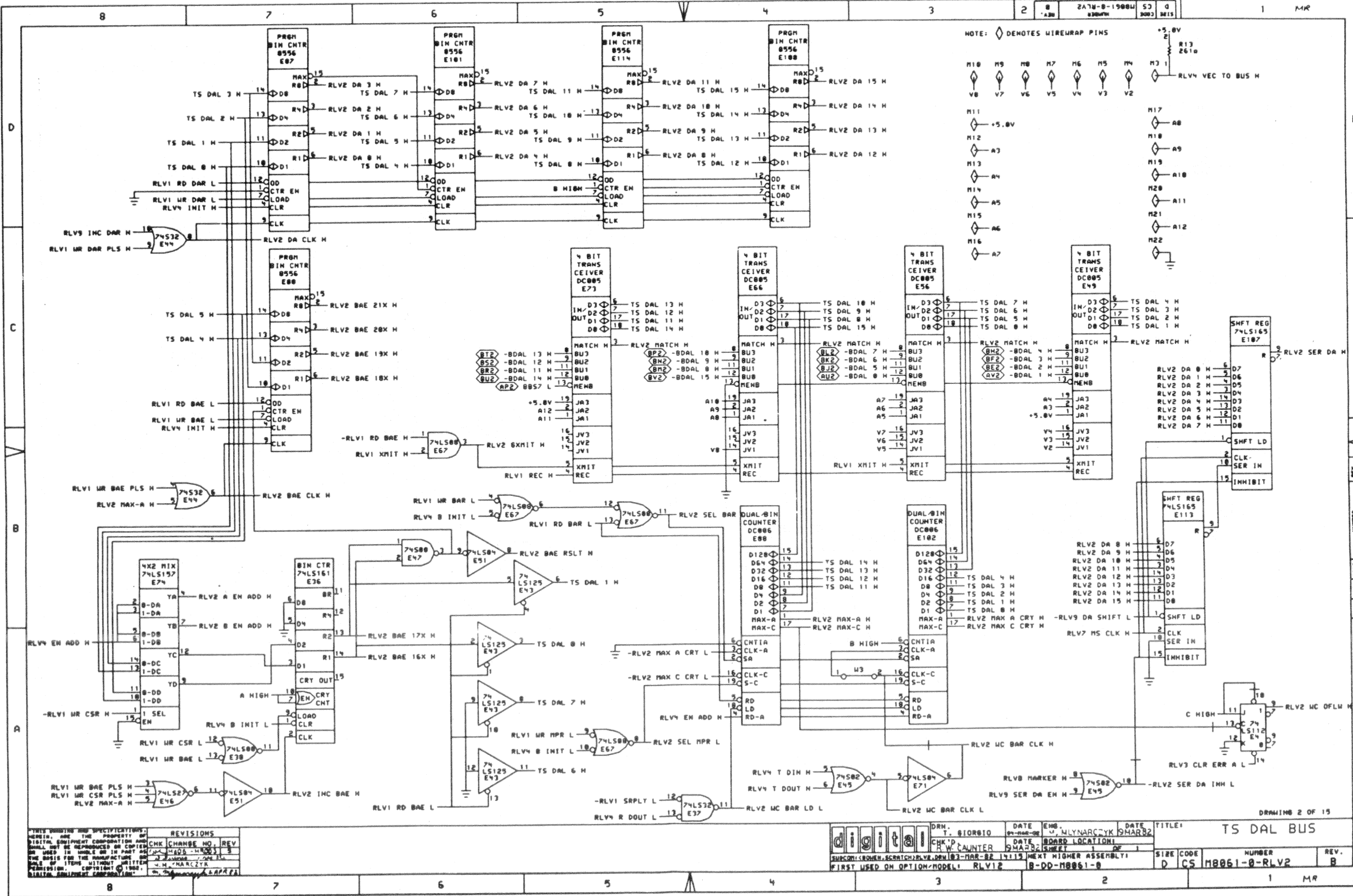


DRAWING 1 OF 15

THIS DRAWING AND SPECIFICATIONS ARE THE PROPERTY OF DIGITAL EQUIPMENT CORPORATION AND SHALL NOT BE REPRODUCED OR COPIED OR USED IN WHOLE OR IN PART AS THE BASIS FOR THE MANUFACTURE OR SALE OF ITEMS WITHOUT WRITTEN PERMISSION. COPYRIGHT © 1980. DIGITAL EQUIPMENT CORPORATION.

REV	CHG	NO.	REV
1			

digital	DRW. T. GIORGIO	DATE ENG. 11/18/80	DATE 11/18/80	TITLE: BUS PROTOCOL
	CHK'D R.W. COUNTER	DATE BOARD LOCATION: 244A25	SHEET 1 OF 1	
FIRST USED ON OPTION MODEL: RLV12				SIZE CODE D CS
NEXT HIGHER ASSEMBLY: B-DD-M8861-0				NUMBER M8861-0-RLV1
				REV. B



NOTE: \diamond DENOTES WIREWRAP PINS

+5.0V
R13 261a
RLV4 VEC TO BUS H

R10 R9 R8 R7 R6 R5 R4 R3
V8 V7 V6 V5 V4 V3 V2

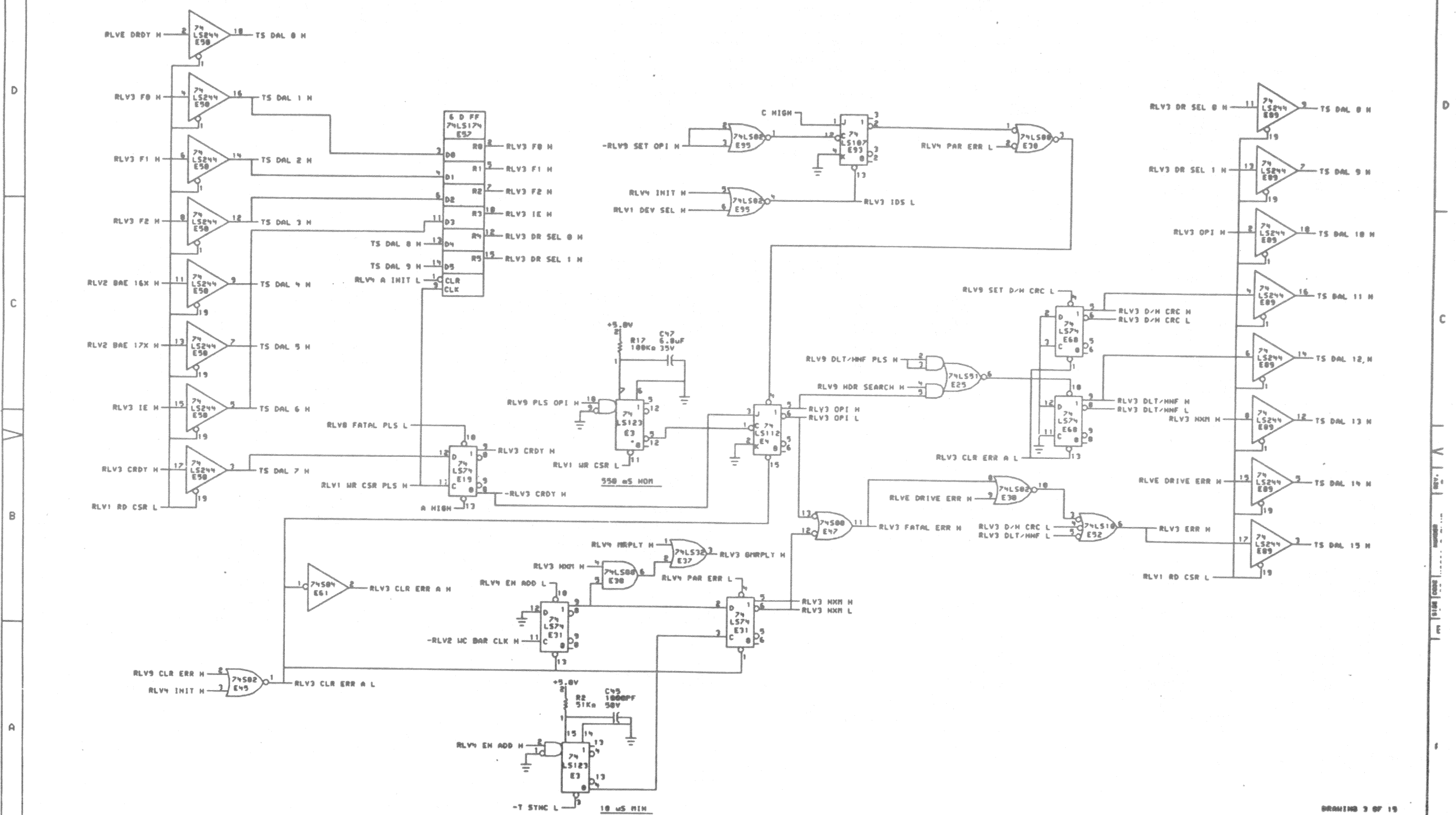
+5.0V
R11
R12 A3
R13 A4
R14 A5
R15 A6
R16 A7

R17 AB
R18 A9
R19 A10
R20 A11
R21 A12
R22

REVISIONS	
CHK	CHANGE NO. REV
1	1
2	2
3	3

digital	DRN. T. GIORGIO	DATE 02-20-68	EMB. 57 NLYNARCZYK 9MAR68	DATE	TITLE: TS DAL BUS
	CHK'D R.W. CAUNTER	DATE 02-22-68	BOARD LOCATION	DE 1	
	SUPCON: BROWN, SCRATCH: RLV2, REV: 03-MAR-68 14115	NEXT HIGHER ASSEMBLY:	SIZE CODE	NUMBER	REV.
	FIRST USED ON OPTION/MODEL: RLV12	B-DD-M8061-0	D CS	M8061-0-RLV2	B

DATE: 10-1-68
 DESIGNED BY: M. HLYNARCZYK
 CHECKED BY: R. W. CAUNTER
 DRAWING NO: 80061-0-RLV3



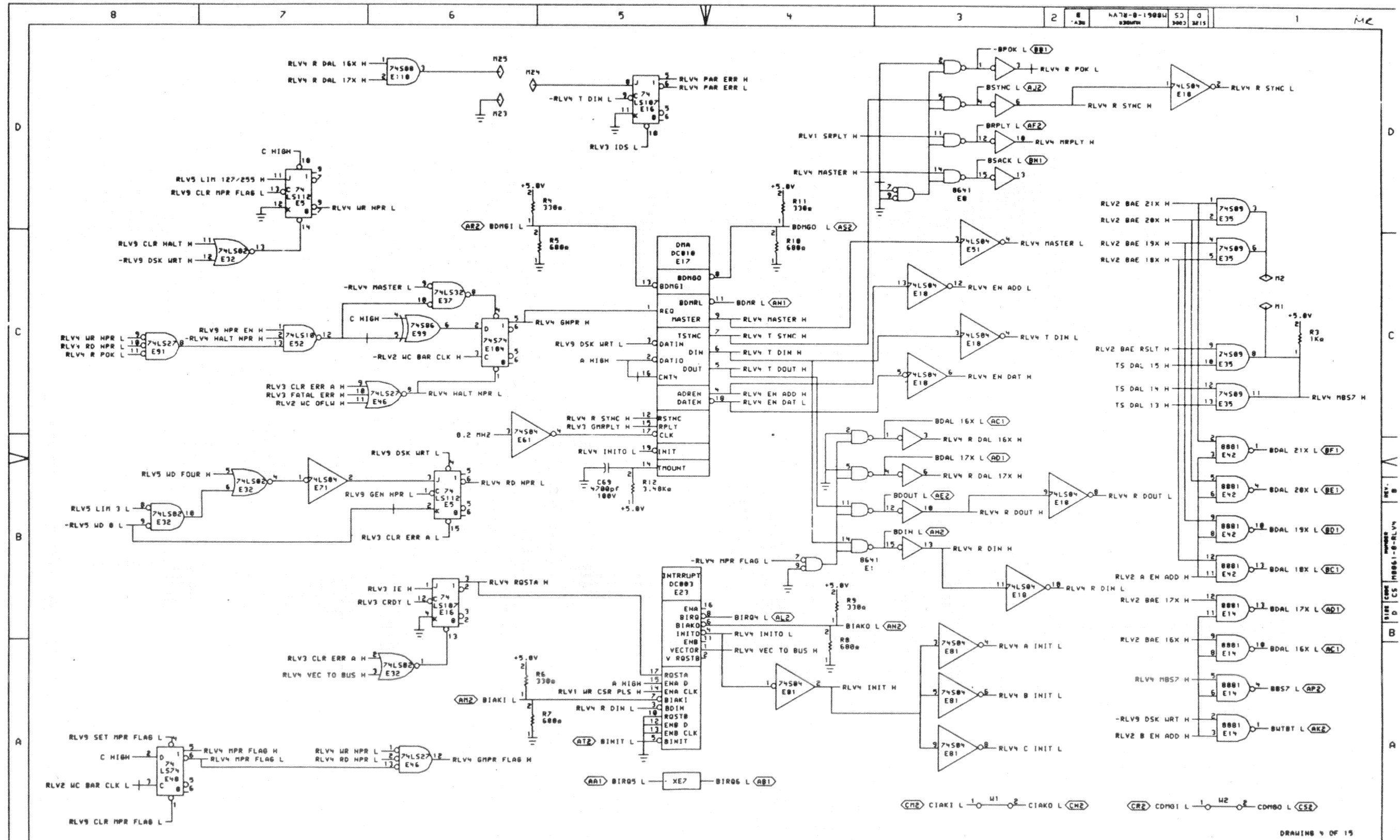
DRAWING 3 OF 15

THIS DRAWING AND SPECIFICATIONS ARE THE PROPERTY OF DIGITAL EQUIPMENT CORPORATION AND SHALL NOT BE REPRODUCED OR COPIED IN WHOLE OR IN PART WITHOUT THE WRITTEN PERMISSION OF DIGITAL EQUIPMENT CORPORATION.

REVISIONS	
CHK	CHANGE NO. REV
M. HLYNARCZYK	1
M. HLYNARCZYK	2

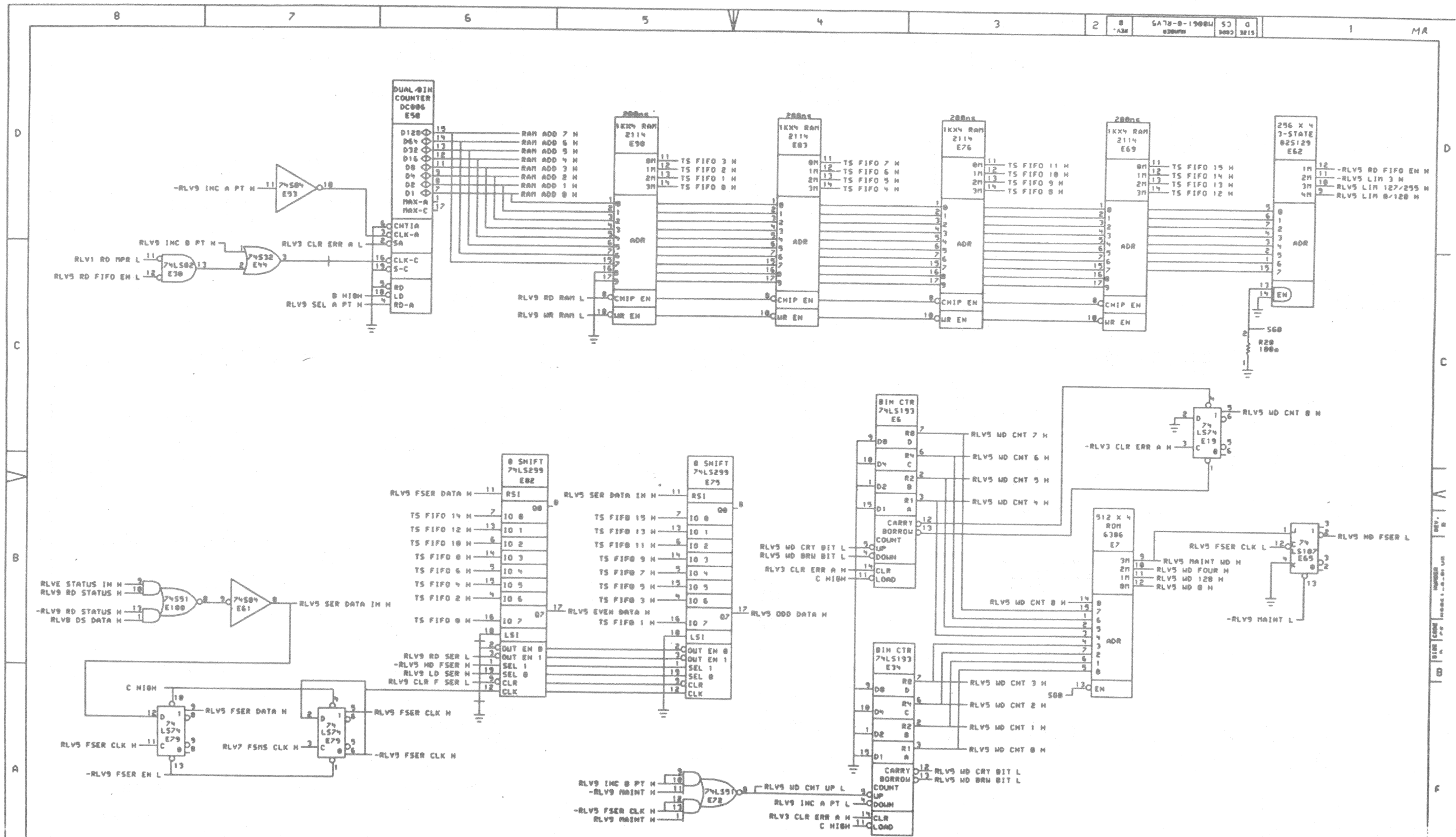
DRN.	T. GIORDIO	DATE	04-10-68	ENG.	M. HLYNARCZYK	DATE	04-10-68
CHK'D	R. W. CAUNTER	DATE	04-10-68	BOARD LOCATION	1 OF 1		
FIRST USED ON OPTION/MODEL: RLV12				NEXT HIGHER ASSEMBLY: B-DD-M8061-0			

TITLE: CSR		SIZE	CODE	NUMBER	REV.
D	CS	M8061-0-RLV3			B



REVISIONS	
CHK	CHANGE NO. REV
W. H. NARCZYK	1
W. H. NARCZYK	2
W. H. NARCZYK	3
W. H. NARCZYK	4
W. H. NARCZYK	5
W. H. NARCZYK	6
W. H. NARCZYK	7
W. H. NARCZYK	8
W. H. NARCZYK	9
W. H. NARCZYK	10
W. H. NARCZYK	11
W. H. NARCZYK	12
W. H. NARCZYK	13
W. H. NARCZYK	14
W. H. NARCZYK	15
W. H. NARCZYK	16
W. H. NARCZYK	17
W. H. NARCZYK	18
W. H. NARCZYK	19
W. H. NARCZYK	20
W. H. NARCZYK	21
W. H. NARCZYK	22
W. H. NARCZYK	23
W. H. NARCZYK	24
W. H. NARCZYK	25
W. H. NARCZYK	26
W. H. NARCZYK	27
W. H. NARCZYK	28
W. H. NARCZYK	29
W. H. NARCZYK	30

DRN. T. GIORGIO	DATE 04-MAR-82	EMB. W. H. NARCZYK	DATE 04-MAR-82	TITLE: DMA AND INTERRUPT
CHK'D. R. W. CAUNTER	DATE 04-MAR-82	DATE 04-MAR-82	DATE 04-MAR-82	DATE 04-MAR-82
FIRST USED ON OPTION/MODEL: RLV12				REV. B
SIZE CODE D CS		NUMBER M8061-0-RLV4		REV. B

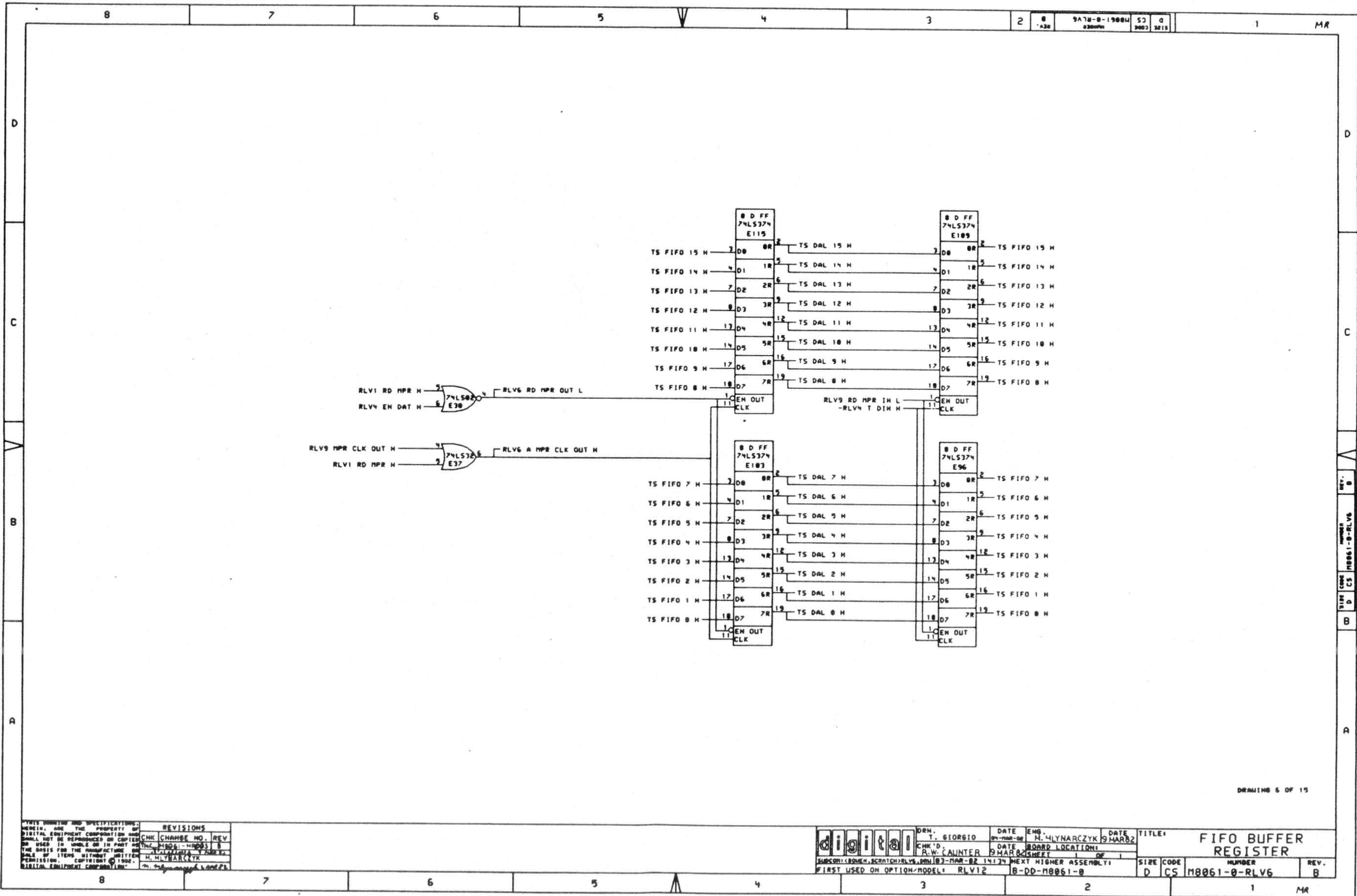


DRAWING 5 OF 15

THIS DRAWING AND SPECIFICATIONS ARE THE PROPERTY OF DIGITAL EQUIPMENT CORPORATION AND SHALL NOT BE REPRODUCED OR COPIED OR USED IN WHOLE OR IN PART AS THE BASIS FOR THE MANUFACTURE OR SALE OF ITEMS WITHOUT WRITTEN PERMISSION. COPYRIGHT © 1980. DIGITAL EQUIPMENT CORPORATION.

REVISIONS		
CHK	CHANGE NO.	REV
1	1	1
M. MLYNARCZYK		

digital	DRH. T. STORGIO	DATE 07-08-80	ENG. M. MLYNARCZYK	DATE 09-MAR-82	TITLE: FIFO
	CHK'D R.W. CAUNTER	DATE 19-MAR-82	DATE BOARD LOCATION: 1 OF 1	SIZE CODE D CS	NUMBER M8061-0-RLV5
FIRST USED ON OPTION/MODEL: RLV12 B-DD-M8061-0					REV. 8

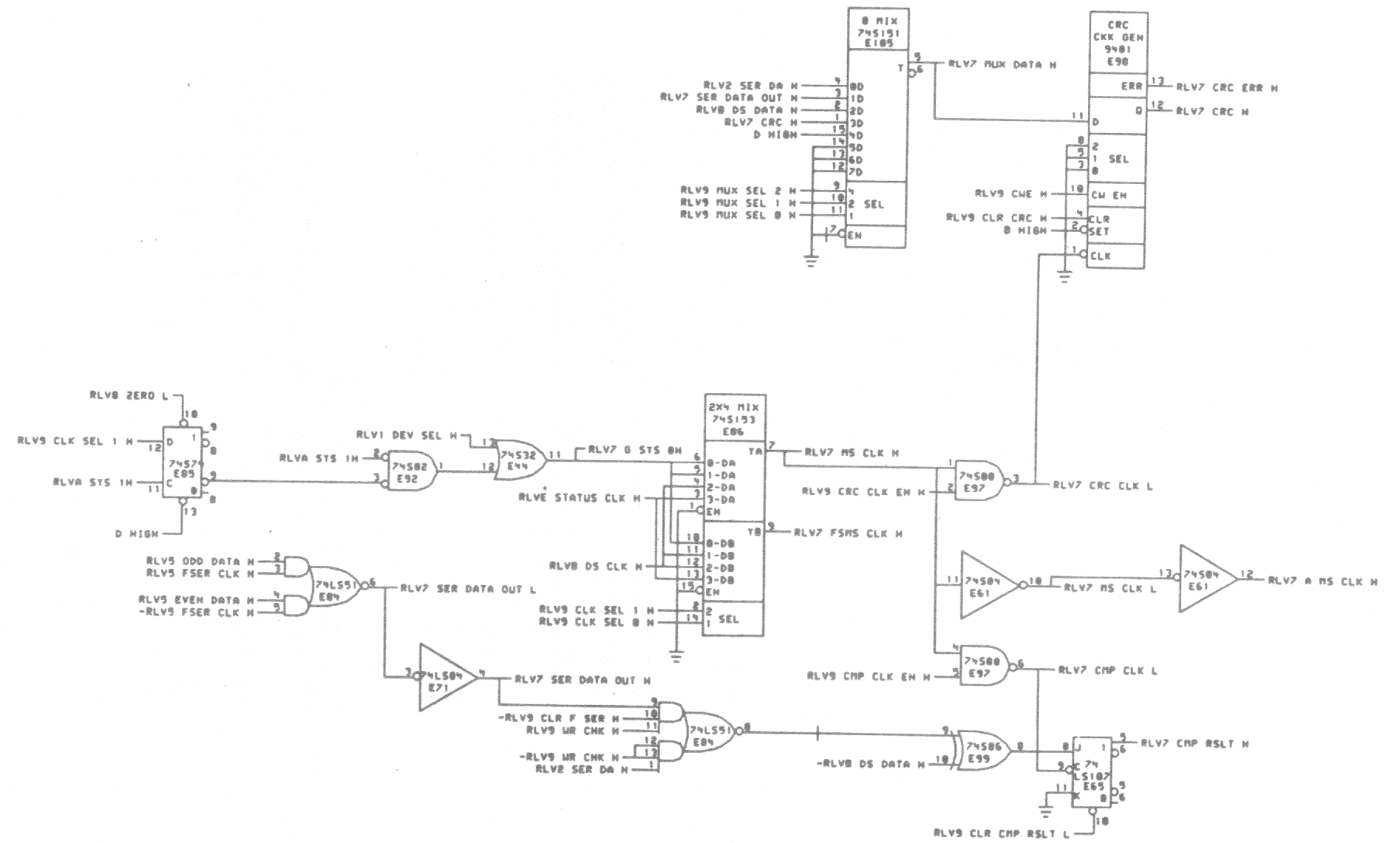


DRAWING 6 OF 15

REVISIONS	
CHK	CHANGE NO. REV

DR. T. GIORGIO	DATE 04-MAR-82	ENG. H. MLYNARCZYK	DATE 09-MAR-82	TITLE: FIFO BUFFER REGISTER
CHK'D R.W. CAUNTER	DATE 09-MAR-82	DATE 09-MAR-82	DATE 09-MAR-82	DATE 09-MAR-82
SUBSON: (BOEHM, SCRATCH) RLV6, DRN 103-MAR-82 14174 NEXT HIGHER ASSEMBLY				SIZE CODE D CS
FIRST USED ON OPTION/MODEL: RLV12				NUMBER B

digital	DR. T. GIORGIO	DATE 04-MAR-82	ENG. H. MLYNARCZYK	DATE 09-MAR-82	TITLE: FIFO BUFFER REGISTER
	CHK'D R.W. CAUNTER	DATE 09-MAR-82	DATE 09-MAR-82	DATE 09-MAR-82	DATE 09-MAR-82
SUBSON: (BOEHM, SCRATCH) RLV6, DRN 103-MAR-82 14174 NEXT HIGHER ASSEMBLY				SIZE CODE D CS	NUMBER B
FIRST USED ON OPTION/MODEL: RLV12				NUMBER B	REV. B

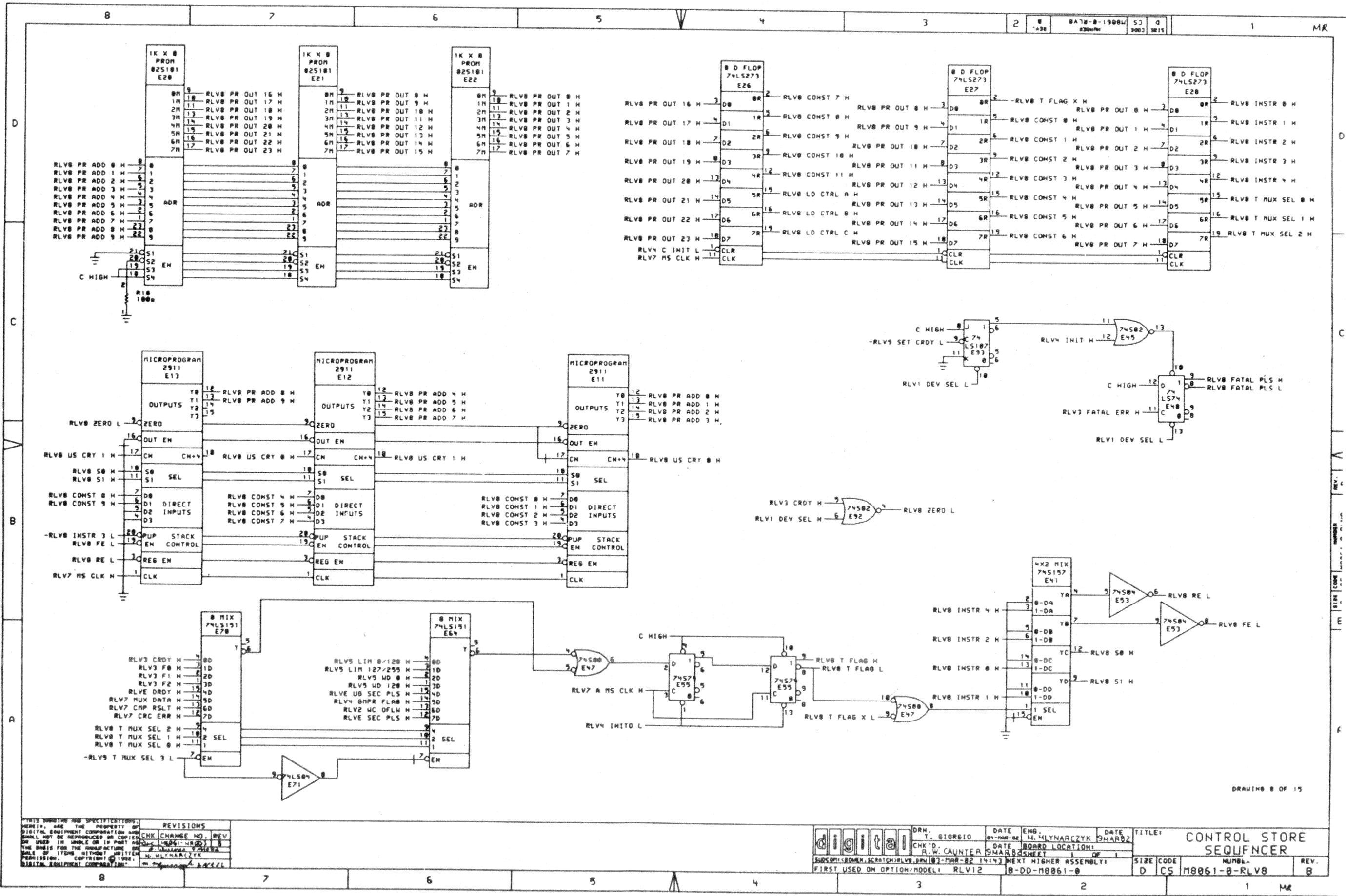


DRAWING 7 OF 19

REVISIONS	
CHK	CHANGE NO. REV
W	48861-48863 C
M	48861-48863 C
M	48861-48863 C

DRH.	DATE	ENR.	DATE	TITLE
T. SIORIO	27-MAR-82	M. MLYNARCZYK	24-MAR-82	MUX'S & CRC
R.W. CAUNTER	24-MAR-82			

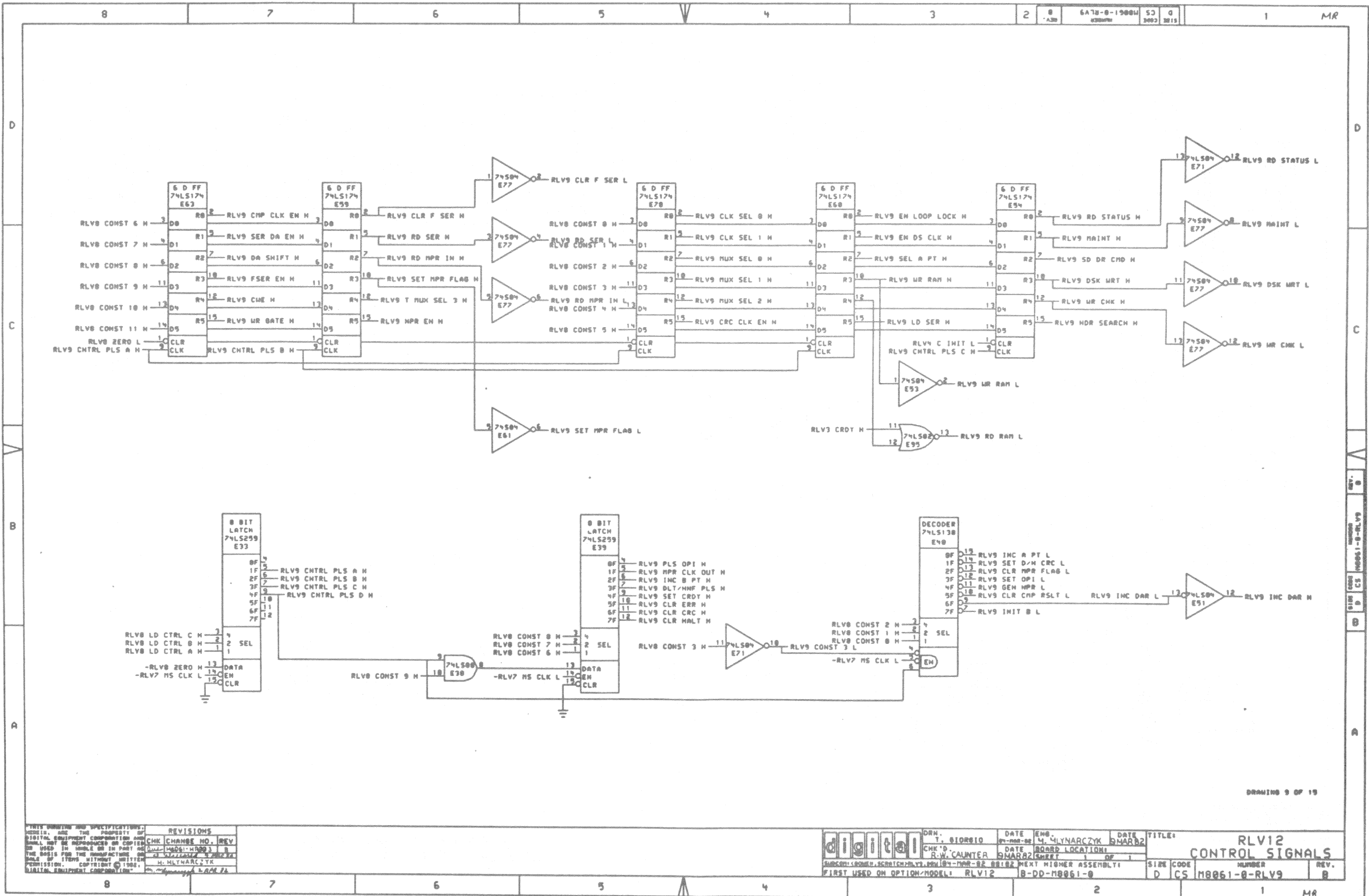
SIZE	CODE	NUMBER	REV.
D	CS	M8861-0-RLV7	C



REV	DESCRIPTION	DATE
1	INITIAL DESIGN	11-15-62
2	REVISED TO ADD...	12-10-62
3	REVISED TO ADD...	1-15-63
4	REVISED TO ADD...	2-10-63
5	REVISED TO ADD...	3-15-63
6	REVISED TO ADD...	4-10-63
7	REVISED TO ADD...	5-15-63
8	REVISED TO ADD...	6-10-63

CHK	CHANGE NO.	REV
1	1	1
2	2	1
3	3	1
4	4	1
5	5	1
6	6	1
7	7	1
8	8	1

digital	DRN. T. GIORDIO	DATE 05-MAR-62	ENG. M. HLYNARCZYK	DATE 09-MAR-62	TITLE: CONTROL STORE SEQUENCER
	CHK'D. R.W. CAUNTER	DATE 08-MAR-62	DATE BOARD LOCATION: 1A	SHEET 1 OF 1	SIZE CODE D CS
FIRST USED ON OPTION/MODEL: RLV12		NEXT HIGHER ASSEMBLY: B-DD-M8061-0		NUMB. M8061-0-RLV8	REV. B



DRAWING 9 OF 19

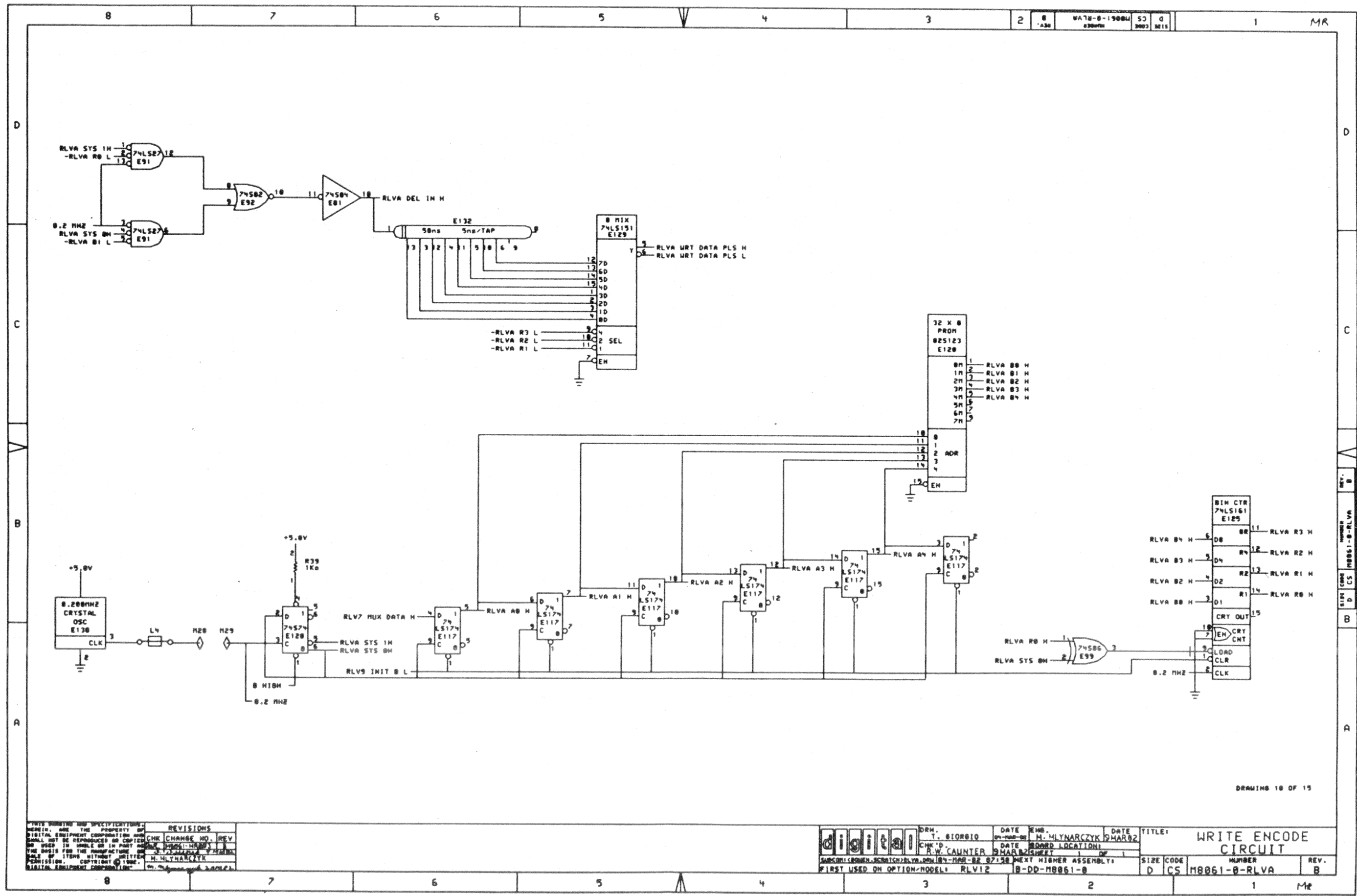
THIS DRAWING AND SPECIFICATIONS ARE THE PROPERTY OF DIGITAL EQUIPMENT CORPORATION AND SHALL NOT BE REPRODUCED OR COPIED IN WHOLE OR IN PART OR BE USED IN THE MANUFACTURE OR SALE OF ITEMS WITHOUT WRITTEN PERMISSION. COPYRIGHT © 1984. DIGITAL EQUIPMENT CORPORATION.

REV.	CHG.	CHANGE NO.	REV.
1	1	1	1
2	1	2	2
3	1	3	3
4	1	4	4
5	1	5	5
6	1	6	6
7	1	7	7
8	1	8	8
9	1	9	9
10	1	10	10
11	1	11	11
12	1	12	12
13	1	13	13
14	1	14	14
15	1	15	15
16	1	16	16
17	1	17	17
18	1	18	18
19	1	19	19
20	1	20	20
21	1	21	21
22	1	22	22
23	1	23	23
24	1	24	24
25	1	25	25
26	1	26	26
27	1	27	27
28	1	28	28
29	1	29	29
30	1	30	30
31	1	31	31
32	1	32	32
33	1	33	33
34	1	34	34
35	1	35	35
36	1	36	36
37	1	37	37
38	1	38	38
39	1	39	39
40	1	40	40
41	1	41	41
42	1	42	42
43	1	43	43
44	1	44	44
45	1	45	45
46	1	46	46
47	1	47	47
48	1	48	48
49	1	49	49
50	1	50	50

REV.	CHG.	CHANGE NO.	REV.
1	1	1	1
2	1	2	2
3	1	3	3
4	1	4	4
5	1	5	5
6	1	6	6
7	1	7	7
8	1	8	8
9	1	9	9
10	1	10	10
11	1	11	11
12	1	12	12
13	1	13	13
14	1	14	14
15	1	15	15
16	1	16	16
17	1	17	17
18	1	18	18
19	1	19	19
20	1	20	20
21	1	21	21
22	1	22	22
23	1	23	23
24	1	24	24
25	1	25	25
26	1	26	26
27	1	27	27
28	1	28	28
29	1	29	29
30	1	30	30
31	1	31	31
32	1	32	32
33	1	33	33
34	1	34	34
35	1	35	35
36	1	36	36
37	1	37	37
38	1	38	38
39	1	39	39
40	1	40	40
41	1	41	41
42	1	42	42
43	1	43	43
44	1	44	44
45	1	45	45
46	1	46	46
47	1	47	47
48	1	48	48
49	1	49	49
50	1	50	50

digital	DRW. T. BIORGIO	DATE 07-20-88	ENR. L. WYNAJCZYK	DATE 07-20-88	TITLE: RLV12 CONTROL SIGNALS
	CHK'D R.W. CAUNTER	DATE 09-02-88	BOARD LOCATION: 9M802	SHEET: 1 OF 1	
SUBCMT: FROM: SCHWACHMAYR, MVL04-NPR-02 08102 NEXT HIGHER ASSEMBLY:		SIZE CODE: D CS	NUMBER: M8061-0-RLV9	REV.: B	
FIRST USED ON OPTION/MODEL: RLV12		B-DD-M8061-0			

24



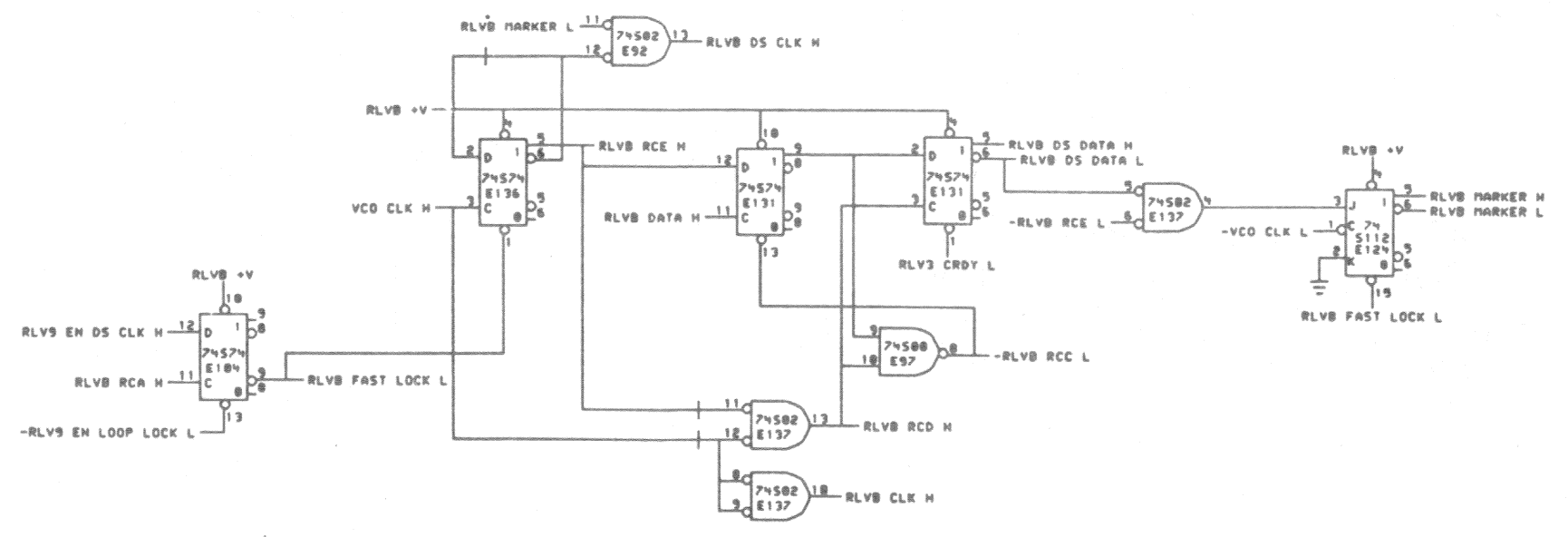
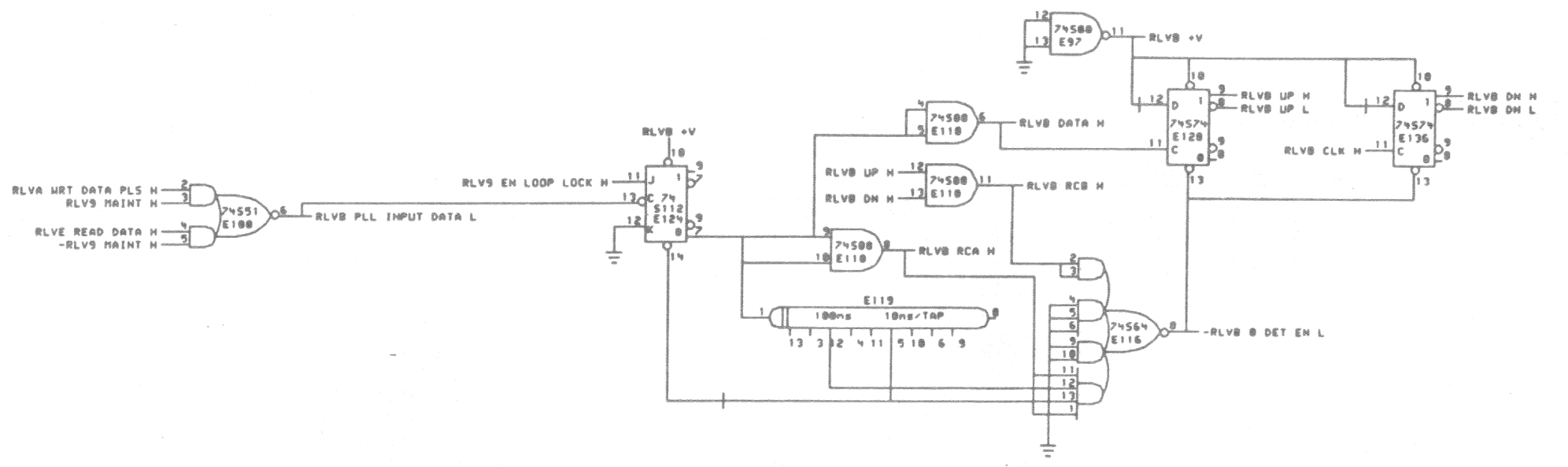
DRAWING 16 OF 15

REV.	DATE	BY	CHK'D	REVISIONS
1	12-15-82	T. GIORGIO	H. W. CAUNTER	
2	1-15-83	H. W. CAUNTER	H. W. CAUNTER	

REV.	DATE	BY	CHK'D	REVISIONS
1	12-15-82	T. GIORGIO	H. W. CAUNTER	
2	1-15-83	H. W. CAUNTER	H. W. CAUNTER	

REV.	DATE	BY	CHK'D	REVISIONS
1	12-15-82	T. GIORGIO	H. W. CAUNTER	
2	1-15-83	H. W. CAUNTER	H. W. CAUNTER	

TITLE: WRITE ENCODE CIRCUIT
 NUMBER: M8861-0-RLVA
 REV. B

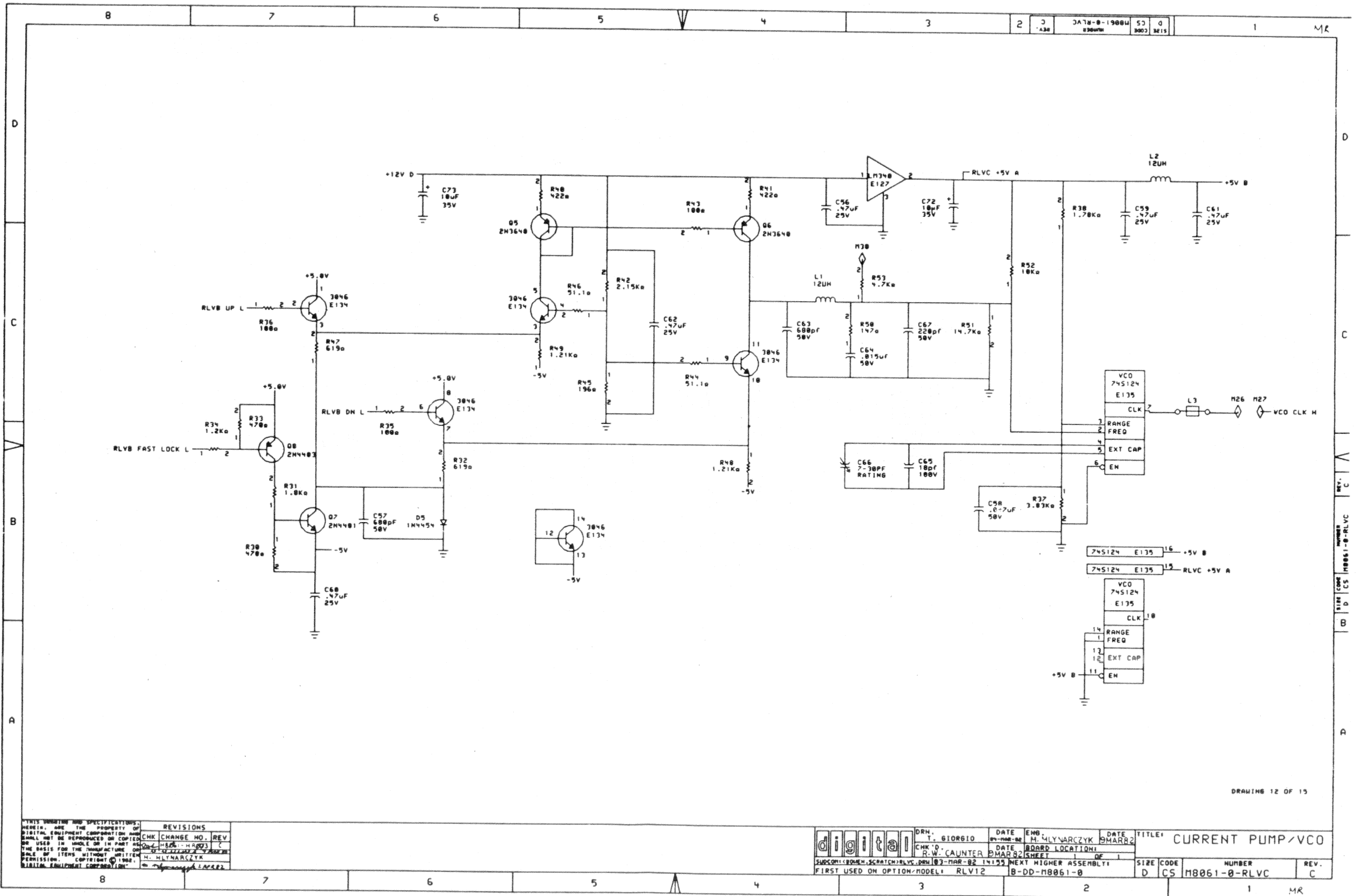


DRAWING 11 OF 15

THIS DRAWING AND SPECIFICATIONS, HEREIN, ARE THE PROPERTY OF DIGITAL EQUIPMENT CORPORATION AND SHALL NOT BE REPRODUCED OR COPIED OR USED IN WHOLE OR IN PART AS THE BASIS FOR THE MANUFACTURE OR SALE OF ITEMS WITHOUT WRITTEN PERMISSION. COPYRIGHT © 1981, DIGITAL EQUIPMENT CORPORATION.

REVISIONS	
CHK	CHANGE NO. REV
CH	1
CH	2
CH	3
CH	4
CH	5
CH	6
CH	7
CH	8
CH	9
CH	10
CH	11
CH	12
CH	13
CH	14
CH	15
CH	16
CH	17
CH	18
CH	19
CH	20
CH	21
CH	22
CH	23
CH	24
CH	25
CH	26
CH	27
CH	28
CH	29
CH	30

digital	DRN. T. GIORGIO	DATE 01-MAR-82	ENG. M. MLYNARCZYK	DATE 09-MAR-82	TITLE: READ CIRCUIT
	CHK'D. R.W. CAUNTER	DATE 03-MAR-82	SMAR 2	SHEET 1 OF 1	BOARD LOCATION: 1
FIRST USED ON OPTION/MODEL: RLV12		NEXT HIGHER ASSEMBLY: B-DD-M8061-0		SIZE CODE D CS	NUMBER M8061-0-RLVB
				REV. B	



DRAWING 12 OF 15

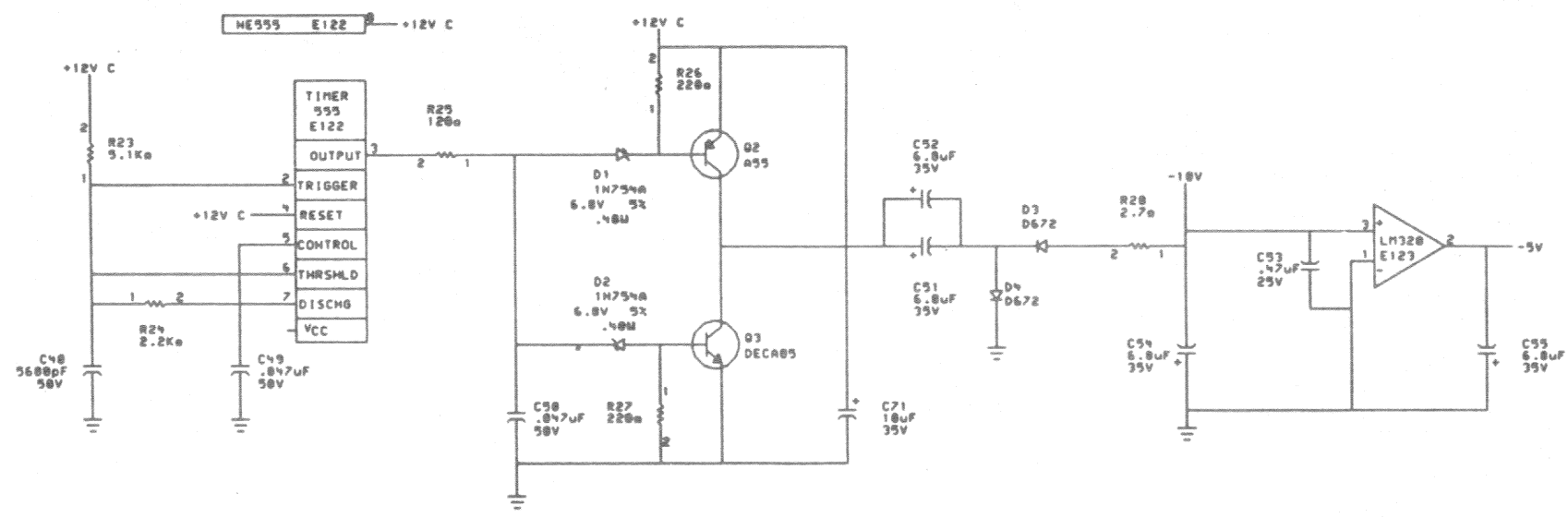
THIS DRAWING AND SPECIFICATIONS, HEREIN, ARE THE PROPERTY OF DIGITAL EQUIPMENT CORPORATION AND SHALL NOT BE REPRODUCED OR COPIED OR USED IN WHOLE OR IN PART AS THE BASIS FOR THE MANUFACTURE OR SALE OF ITEMS WITHOUT WRITTEN PERMISSION. COPYRIGHT © 1982, DIGITAL EQUIPMENT CORPORATION.

REV.	CHG.	NO.	REV.
	1	1	1

REV.	CHG.	NO.	REV.
	1	1	1

DRN.	DATE	ENG.	DATE	TITLE
T. GIORGIO	09-1982	M. MLYNARCZYK	09MARR82	CURRENT PUMP/VCO
CHK'D	DATE	BOARD LOCATION	SHEET	OF
R.W. CAUNTER	02-MAR-82	1555	1	1

SIZE	CODE	NUMBER	REV.
D	CS	M8061-0-RLVC	C

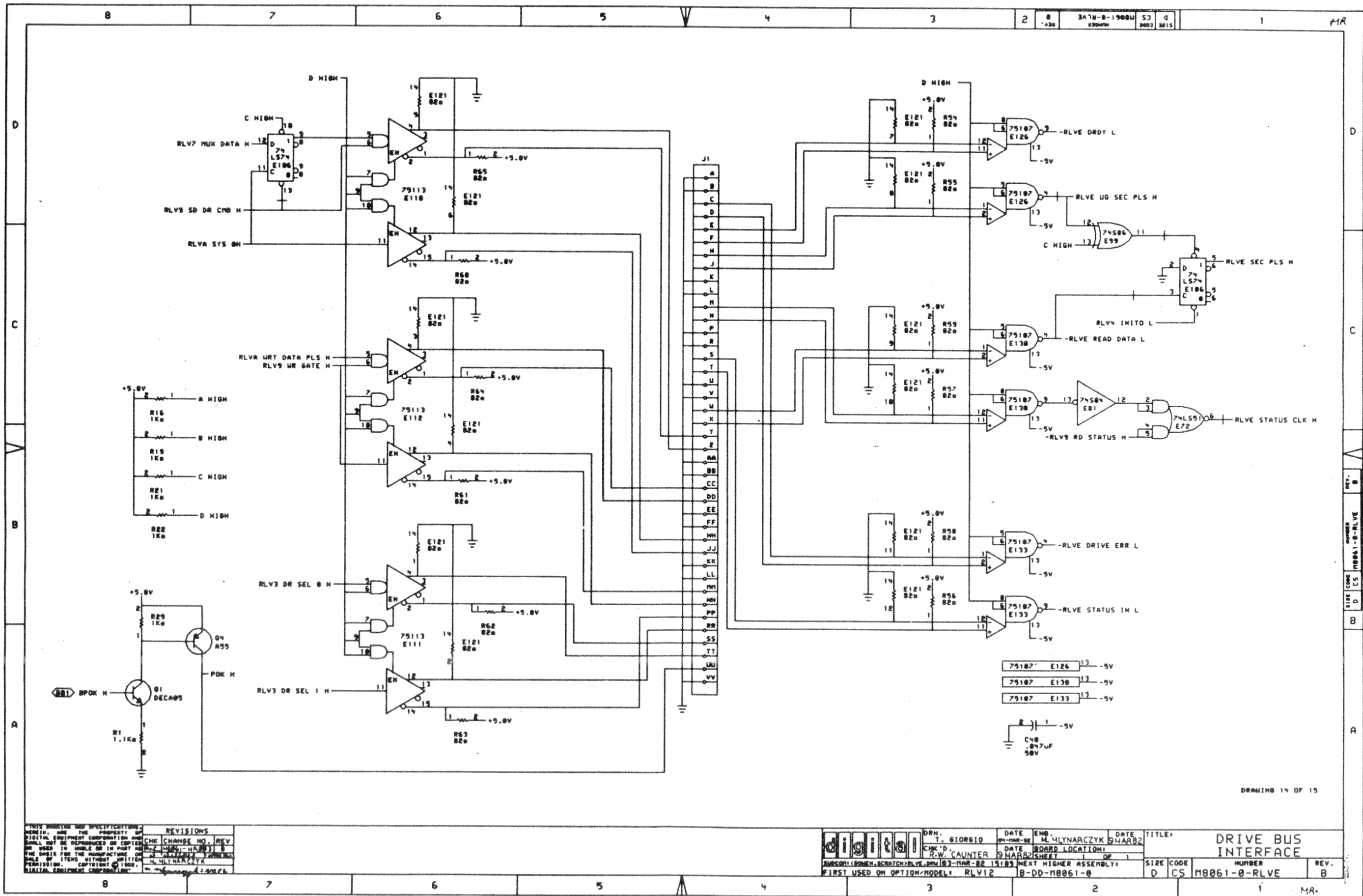


DRAWING 13 OF 15

THIS DRAWING AND SPECIFICATIONS HEREIN ARE THE PROPERTY OF DIGITAL EQUIPMENT CORPORATION AND SHALL NOT BE REPRODUCED OR COPIED OR USED IN WHOLE OR IN PART FOR THE BASIS FOR THE PURCHASE OR SALE OF ITEMS WITHOUT WRITTEN PERMISSION. COPYRIGHT © 1982, DIGITAL EQUIPMENT CORPORATION.

REVISIONS	
CHK	CHANGE NO., REV
	1055-1-10001 B
	1055-1-10001 C
	1055-1-10001 D
	1055-1-10001 E
	1055-1-10001 F
	1055-1-10001 G
	1055-1-10001 H
	1055-1-10001 I
	1055-1-10001 J
	1055-1-10001 K
	1055-1-10001 L
	1055-1-10001 M
	1055-1-10001 N
	1055-1-10001 O
	1055-1-10001 P
	1055-1-10001 Q
	1055-1-10001 R
	1055-1-10001 S
	1055-1-10001 T
	1055-1-10001 U
	1055-1-10001 V
	1055-1-10001 W
	1055-1-10001 X
	1055-1-10001 Y
	1055-1-10001 Z

DRG. T. GIORGIO	DATE 03-10-82	ENG. H. WYNYARCZYK	DATE 03-MAR-82	TITLE: -5V CHARGE PUMP
CHK'D. R. W. CAUNTER	DATE 03-MAR-82	DATE 03-MAR-82	SHEET 1 OF 1	
FIRST USED ON OPTION/MODEL: RLV12		NEXT HIGHER ASSEMBLY: B-DD-M8061-0		
SIZE CODE D C5	NUMBER M8061-0-RLVD	REV. B		



DRAWING 14 OF 15

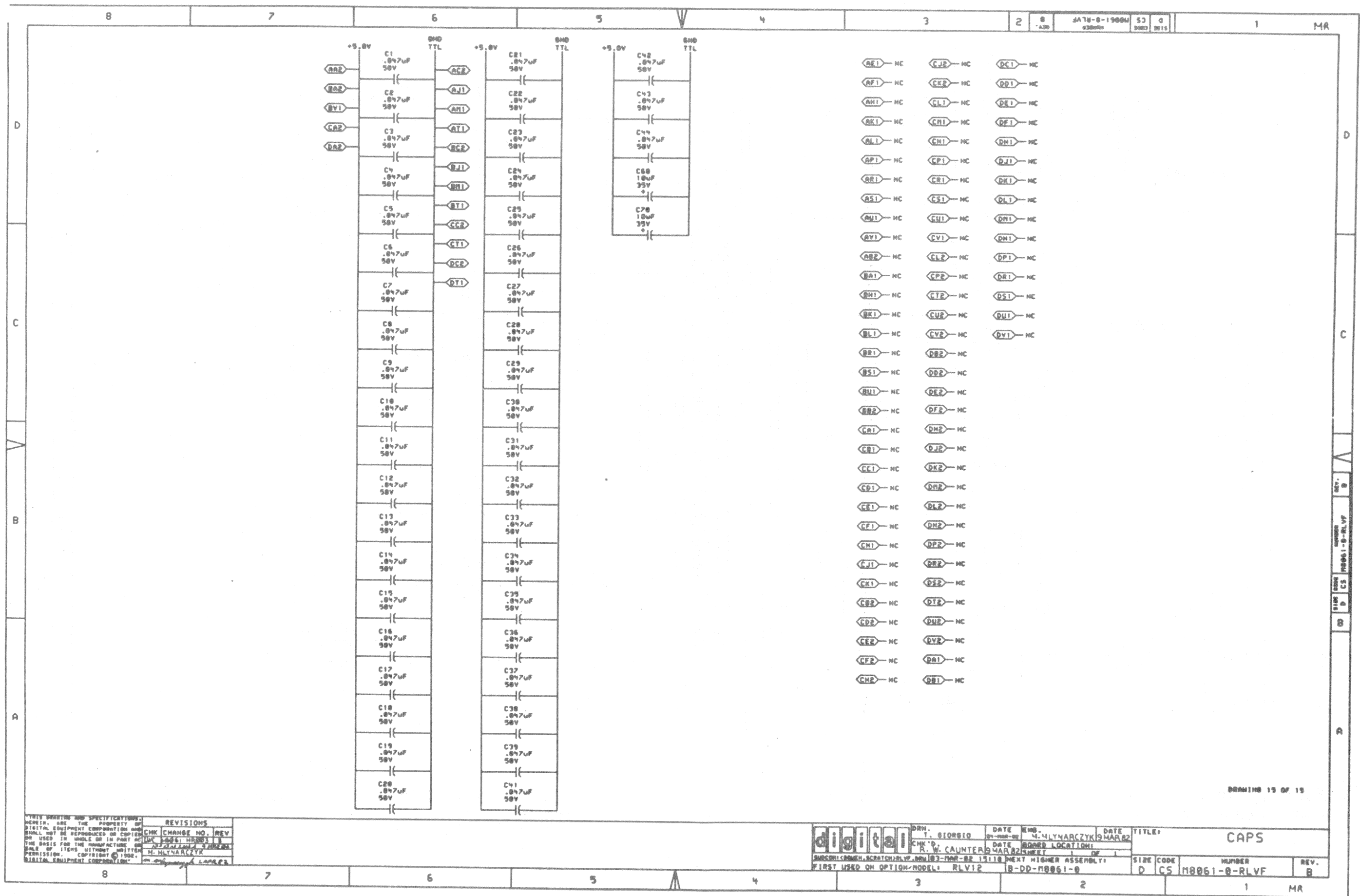
THIS DRAWING AND SPECIFICATIONS HEREIN, ARE THE PROPERTY OF DIGITAL EQUIPMENT CORPORATION AND SHALL NOT BE REPRODUCED OR COPIED OR USED IN WHOLE OR IN PART AS THE BASIS FOR THE MANUFACTURE OR SALE OF ITEMS WITHOUT WRITTEN PERMISSION. COPYRIGHT © 1980, DIGITAL EQUIPMENT CORPORATION.

REV.	CHANGE NO.	REV.
1	1	1

REV.	CHANGE NO.	REV.	DATE	BY	DATE	BY	TITLE
1	1	1	03-MAR-82	T. GIORDIO	03-MAR-82	M. WILYNARCZYK	DRIVE BUS INTERFACE
				R.W. CAUNTER	03-MAR-82		

SIZE	CODE	NUMBER	REV.
D	CS	M8061-0-RLVE	B

FIRST USED ON OPTION/MODEL: RLVI2 B-DD-M8061-0



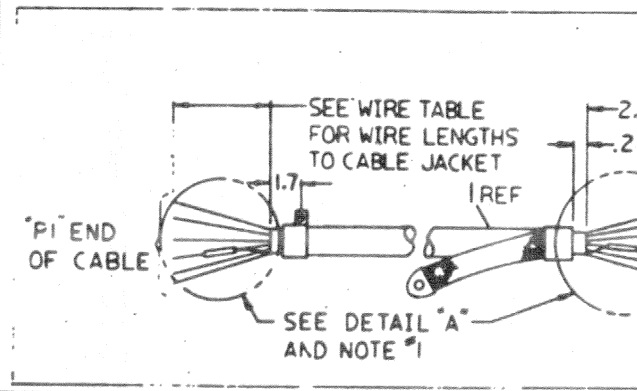
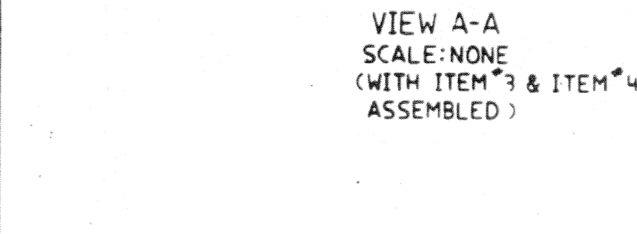
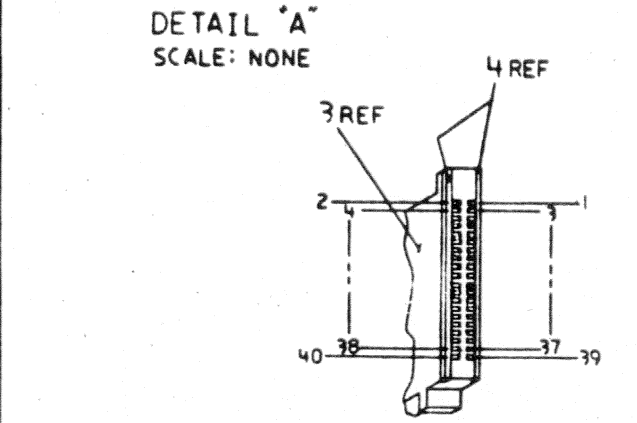
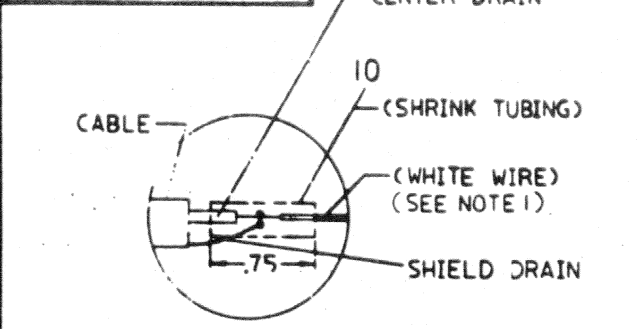
DRAWING 15 OF 15

THIS DRAWING AND SPECIFICATIONS ARE THE PROPERTY OF DIGITAL EQUIPMENT CORPORATION AND SHALL NOT BE REPRODUCED OR COPIED IN WHOLE OR IN PART WITHOUT THE WRITTEN PERMISSION OF DIGITAL EQUIPMENT CORPORATION. COPYRIGHT © 1968.

REVISIONS		
CHK	CHANGE NO.	REV

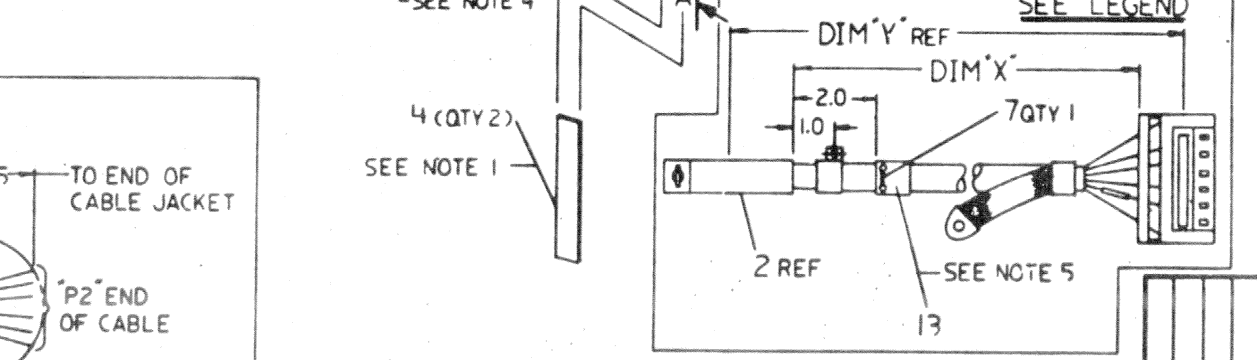
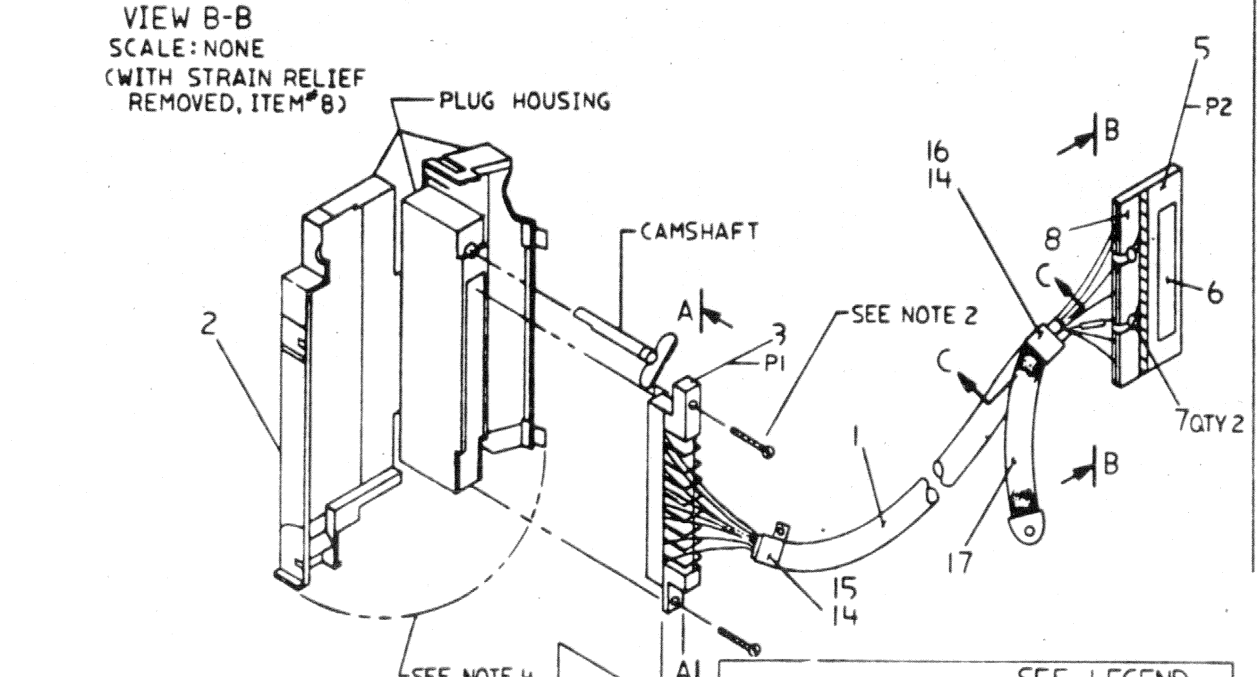
digital	DRW. T. GIORGIO	DATE 27-MAR-68	ENG. N. W. CAUNTER	DATE 19-MAR-68	TITLE: CAPS
	CHK'D R. W. CAUNTER	DATE 24-MAR-68	DRW. N. W. CAUNTER	DATE 19-MAR-68	BOARD LOCATION: 15
SUBCIRCUIT: SCRATCH 15V, REV 152-MAR-68 15118 NEXT HIGHER ASSEMBLY: 15118					SIZE CODE: D CS
FIRST USED ON OPTION/MODEL: RL12 B-DD-M8061-0					NUMBER: M8061-0-RLVF
					REV. B

THE DRAWING AND SPECIFICATIONS HEREIN ARE THE PROPERTY OF THE U.S. GOVERNMENT AND ARE TO BE REPRODUCED AND TRANSMITTED IN ANY FORM AND BY ANY MEANS ELECTRONIC OR MECHANICAL, INCLUDING PHOTOCOPYING, RECORDING, OR BY ANY INFORMATION STORAGE AND RETRIEVAL SYSTEM, WITHOUT PERMISSION IN WRITING FROM THE U.S. GOVERNMENT PRINTING OFFICE



REV. 1	INITIAL	DATE
A		
B		
C		
D		

NUMBER	DIM 'X' VARIATION	DIM 'Y' (PRECUT) REF
BC80M-06	6FT-0IN ±2IN	6FT-8.0 IN
BC80M-10	10FT-0IN ±2IN	10FT-8.0 IN
BC80M-15	15FT-0IN ±2IN	15FT-8.0 IN



NOTES:
FOR NOTES SEE SHEET 2

FOR WIRE TABLE SEE SHEET 2

CAUTION: OFF SHEET PARTS LIST EXISTS.
SEE K-PL-BC80M-0-DBP

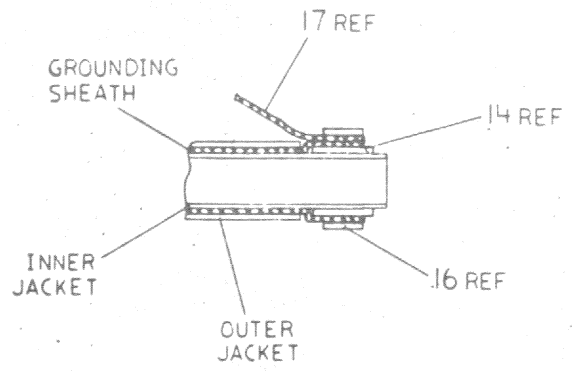
DESCRIPTION	QUANTITY	PART NO.	REV.
UNLESS OTHERWISE SPECIFIED DIMENSIONS ARE IN INCHES AND THE FOLLOWING TOLERANCES APPLY (PER DEC STD 114)			
FINISH			
QUANTITY & VARIATION			
THIRD ANGLE PROJECTION			
DO NOT SCALE DRAWING			
REMOVE BURRS AND BREAK SHARP CORNERS			
MATERIAL			
SEE PARTS LIST			
DATE			
BY			
CHECKED			
DATE			
APPROVED			
DATE			
REVISIONS			
NO.	DESCRIPTION	DATE	
1	As Shown	18 July 81	
2	As Shown	23 Sep 81	
3	As Shown	14 Sep 81	
4	As Shown	14 Sep 81	
5	As Shown	14 Sep 81	
6	As Shown	14 Sep 81	
7	As Shown	14 Sep 81	
8	As Shown	14 Sep 81	
9	As Shown	14 Sep 81	
10	As Shown	14 Sep 81	
11	As Shown	14 Sep 81	
12	As Shown	14 Sep 81	
13	As Shown	14 Sep 81	
14	As Shown	14 Sep 81	
15	As Shown	14 Sep 81	
16	As Shown	14 Sep 81	
17	As Shown	14 Sep 81	
18	As Shown	14 Sep 81	
19	As Shown	14 Sep 81	
20	As Shown	14 Sep 81	
21	As Shown	14 Sep 81	
22	As Shown	14 Sep 81	
23	As Shown	14 Sep 81	
24	As Shown	14 Sep 81	
25	As Shown	14 Sep 81	
26	As Shown	14 Sep 81	
27	As Shown	14 Sep 81	
28	As Shown	14 Sep 81	
29	As Shown	14 Sep 81	
30	As Shown	14 Sep 81	
31	As Shown	14 Sep 81	
32	As Shown	14 Sep 81	
33	As Shown	14 Sep 81	
34	As Shown	14 Sep 81	
35	As Shown	14 Sep 81	
36	As Shown	14 Sep 81	
37	As Shown	14 Sep 81	
38	As Shown	14 Sep 81	
39	As Shown	14 Sep 81	
40	As Shown	14 Sep 81	
41	As Shown	14 Sep 81	
42	As Shown	14 Sep 81	
43	As Shown	14 Sep 81	
44	As Shown	14 Sep 81	
45	As Shown	14 Sep 81	
46	As Shown	14 Sep 81	
47	As Shown	14 Sep 81	
48	As Shown	14 Sep 81	
49	As Shown	14 Sep 81	
50	As Shown	14 Sep 81	
51	As Shown	14 Sep 81	
52	As Shown	14 Sep 81	
53	As Shown	14 Sep 81	
54	As Shown	14 Sep 81	
55	As Shown	14 Sep 81	
56	As Shown	14 Sep 81	
57	As Shown	14 Sep 81	
58	As Shown	14 Sep 81	
59	As Shown	14 Sep 81	
60	As Shown	14 Sep 81	
61	As Shown	14 Sep 81	
62	As Shown	14 Sep 81	
63	As Shown	14 Sep 81	
64	As Shown	14 Sep 81	
65	As Shown	14 Sep 81	
66	As Shown	14 Sep 81	
67	As Shown	14 Sep 81	
68	As Shown	14 Sep 81	
69	As Shown	14 Sep 81	
70	As Shown	14 Sep 81	
71	As Shown	14 Sep 81	
72	As Shown	14 Sep 81	
73	As Shown	14 Sep 81	
74	As Shown	14 Sep 81	
75	As Shown	14 Sep 81	
76	As Shown	14 Sep 81	
77	As Shown	14 Sep 81	
78	As Shown	14 Sep 81	
79	As Shown	14 Sep 81	
80	As Shown	14 Sep 81	
81	As Shown	14 Sep 81	
82	As Shown	14 Sep 81	
83	As Shown	14 Sep 81	
84	As Shown	14 Sep 81	
85	As Shown	14 Sep 81	
86	As Shown	14 Sep 81	
87	As Shown	14 Sep 81	
88	As Shown	14 Sep 81	
89	As Shown	14 Sep 81	
90	As Shown	14 Sep 81	
91	As Shown	14 Sep 81	
92	As Shown	14 Sep 81	
93	As Shown	14 Sep 81	
94	As Shown	14 Sep 81	
95	As Shown	14 Sep 81	
96	As Shown	14 Sep 81	
97	As Shown	14 Sep 81	
98	As Shown	14 Sep 81	
99	As Shown	14 Sep 81	
100	As Shown	14 Sep 81	

THIS DRAWING AND SPECIFICATIONS HEREBY ARE THE PROPERTY OF DIGITAL EQUIPMENT CORPORATION AND SHALL NOT BE REPRODUCED OR COPIED OR USED IN WHOLE OR IN PART AS THE BASIS FOR THE MANUFACTURE OR SALE OF ITEMS WITHOUT WRITTEN PERMISSION. COPYRIGHT © 1971 DIGITAL EQUIPMENT CORPORATION

ITEM NO.	WIRE LENGTH TO CABLE JACKET	DESCRIPTION	FROM		TO		SIGNAL NAME	REMARKS
			CONN	TERM	CONN	TERM		
			P1-1		P2-A			
			P1-2		P2-B			NO CONN
	2.50	RED	P1-3		P2-C	ITEM 11	DRV ERR +	
	2.50	WHT/RED	P1-4		P2-D		DRV ERR -	
	2.38	RED	P1-5		P2-E		DRV RDY +	
	2.38	WHT/GRN	P1-6		P2-F		DRV RDY -	
	2.25	RED	P1-7		P2-H		SEC PLS +	
	2.25	WHT/ORN	P1-8		P2-J	ITEM 11	SEC PLS -	
			P1-9		P2-K			NO CONN
			P1-10		P2-L			
	2.00	RED	P1-11		P2-M	ITEM 11	STAT CLK +	
	2.00	WHT/YEL	P1-12		P2-N	ITEM 11	STAT CLK -	
			P1-13		P2-P			NO CONN
			P1-14		P2-R			
	1.75	RED	P1-15		P2-S	ITEM 11	STAT IN +	
	1.75	WHT/BLK/RED	P1-16		P2-T	ITEM 11	STAT IN -	
			P1-17		P2-U			NO CONN
			P1-18		P2-V			
	1.62	RED	P1-19		P2-W	ITEM 11	READ DATA+	
	1.62	WHT/BLK/ORN	P1-20		P2-X		READ DATA-	
	1.50	RED	P1-21		P2-Y		DRIVE CMND+	
	1.50	WHT/BLK/BLU	P1-22		P2-Z	ITEM 11	DRIVE CMND-	

ITEM NO.	WIRE LENGTH TO CABLE JACKET	DESCRIPTION	FROM		TO		SIGNAL NAME	REMARKS
			CONN	TERM	CONN	TERM		
			P1-23		P2-AA			NO CONN
			P1-24		P2-BB			
	.38	RED	P1-25		P2-CC	ITEM 11	WRT DATA -	
	1.38	WHT/BLK/BRN	P1-26		P2-DD	ITEM 11	WRT DATA +	
			P1-27		P2-EE			NO CONN
			P1-28		P2-FF			
	1.25	RED	P1-29		P2-HH	ITEM 11	SYS CLK -	
	1.25	WHT/GRN/RED	P1-30		P2-JJ	ITEM 11	SYS CLK +	
			P1-31		P2-KK			NO CONN
			P1-32		P2-LL			
	1.18	RED	P1-33		P2-MM	ITEM 11	WRT GATE -	
	1.18	WHT/GRN/BLU	P1-34		P2-NN		WRT GATE +	
	1.00	RED	P1-35		P2-PP		DRV SEL1 -	
	1.00	WHT/GRN/YEL	P1-36		P2-RR		DRV SEL1 +	
	.88	RED	P1-37		P2-SS		DRV SEL0 -	
	.88	WHT/GRN/BRN	P1-38		P2-TT		DRV SEL0 +	
	.75	WHT	P1-39		P2-UU	ITEM 11	DC OK	SEE NOTE 1
	1.75	BLK	P1-40		P2-VV	ITEM 12	GND	SEE NOTE 1

- NOTES:
- THE DRAIN WIRE AND INNER GND WIRE MUST BE PREPARED AS FOLLOWS BEFORE TERMINATING CABLE TO PLUG ON BOTH ENDS OF WIRE.
 - CUT BACK THE CENTER BLACK GND WIRE 0.4±0.1 INCH ABOVE JACKET, STRIP END 0.25±.06 INCH.
 - FIND AND SEPARATE THE SOLID WHITE AND YELLOW PAIRED WIRES. CUT THE WHITE WIRE FLUSH WITH JACKET. STRIP END OF LOOSE WHITE WIRE 0.25±.06 INCH.
 - POSITION STRIPPED END OF WHITE WIRE PARALLEL TO THE STRIPPED END OF THE BLACK GND WIRE. WRAP THE DRAIN WIRE AROUND THE STRIPPED END OF THE BLACK AND WHITE WIRE 2-4 TIMES. SOLDER WIRE SPLICE AND CUT OFF END OF DRAIN FLUSH WITH SPLICE.
 - COVER SPLICE WITH 0.5±.06 INCH OF SHRINK TUBING, ITEM 4, TWIST THE WHITE AND YELLOW WIRES (PREVIOUSLY SEPARATED) BACK TOGETHER FOR APPROXIMATELY (3) THREE INCHES.
 - SCREWS (2 X .316 SELF TAPPING) ARE PART OF PLUG HOUSING AND CAMSHAFT KIT (ITEM 2).
 - REF ONLY CONTACT (DEC PART NO. I211591-27) FOR REPLACEMENT ONLY.
 - PRIOR TO SNAPPING SIDES OF PLUG HOUSING TOGETHER CARE SHOULD BE TAKEN TO ASSURE THAT ALL WIRES ARE SUFFICIENTLY WITHIN HOUSING TO PREVENT PINCHING OF INDIVIDUAL STRANDS.
 - CABLE TO BE MARKED WITH PART NUMBER BCBOM AND REV IN AREA SHOWN.
 - * DENOTES CAVITIES NOT TO BE USED OR DESIGNATED BY LETTERS.



SECTION C-C
SCALE: NONE

REVISION HISTORY		
DATE	ECO NUMBER	REV