

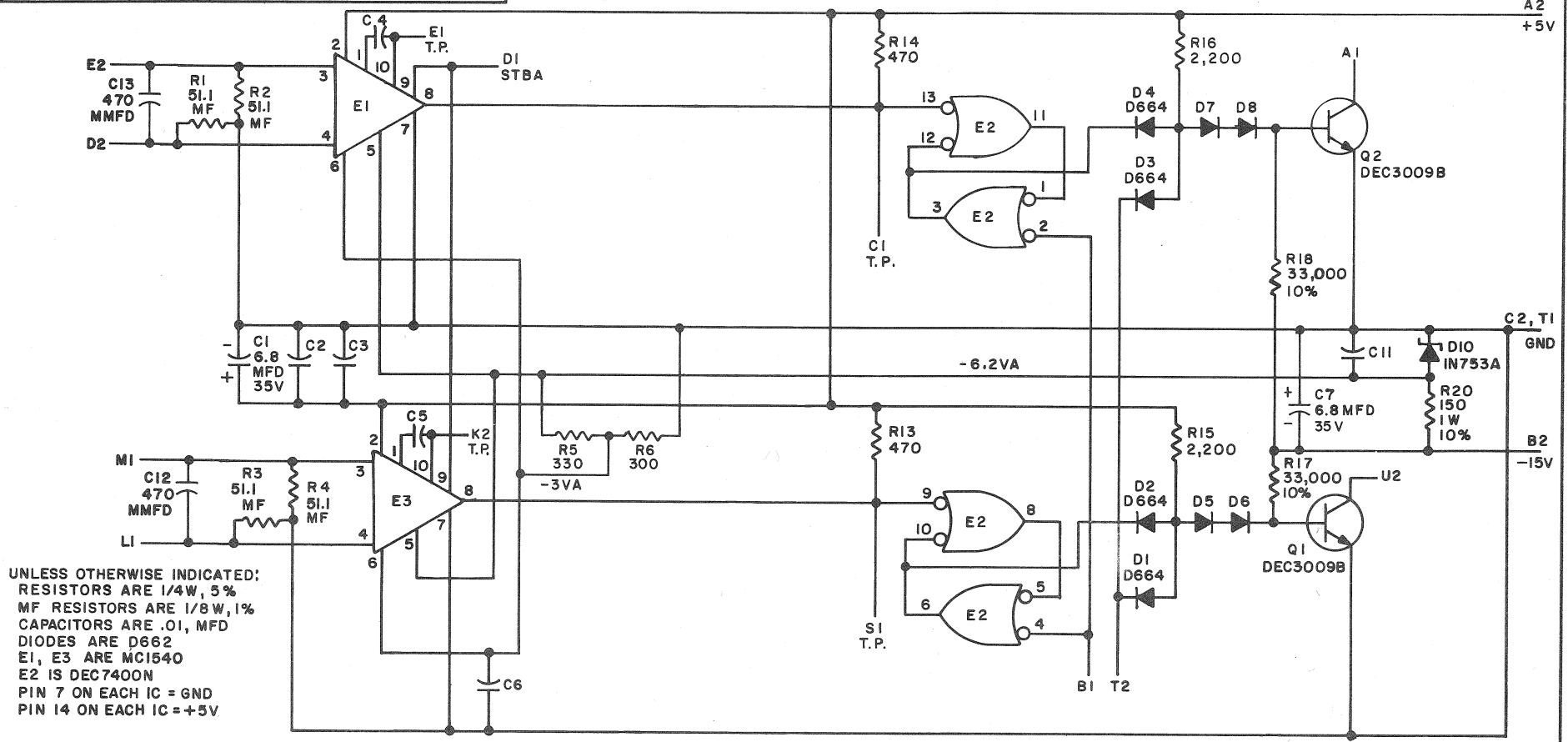
digital

**REPLACEMENT
SCHEMATICS**

PDP-8/L

SIZE CODE B CS 6020-0-1
 NUMBER REV D

THIS SCHEMATIC IS FURNISHED ONLY FOR TEST AND MAINTENANCE PURPOSES. THE CIRCUITS ARE PROPRIETARY IN NATURE AND SHOULD BE TREATED ACCORDINGLY. COPYRIGHT 1967 BY DIGITAL EQUIPMENT CORPORATION



UNLESS OTHERWISE INDICATED:
 RESISTORS ARE 1/4W, 5%
 MF RESISTORS ARE 1/8W, 1%
 CAPACITORS ARE .01, MFD
 DIODES ARE D662
 E1, E3 ARE MC1540
 E2 IS DEC7400N
 PIN 7 ON EACH IC = GND
 PIN 14 ON EACH IC = +5V

USE THE ETCH BOARD OF THE 6021

PARTS LIST IS A-PL-6020-0-0

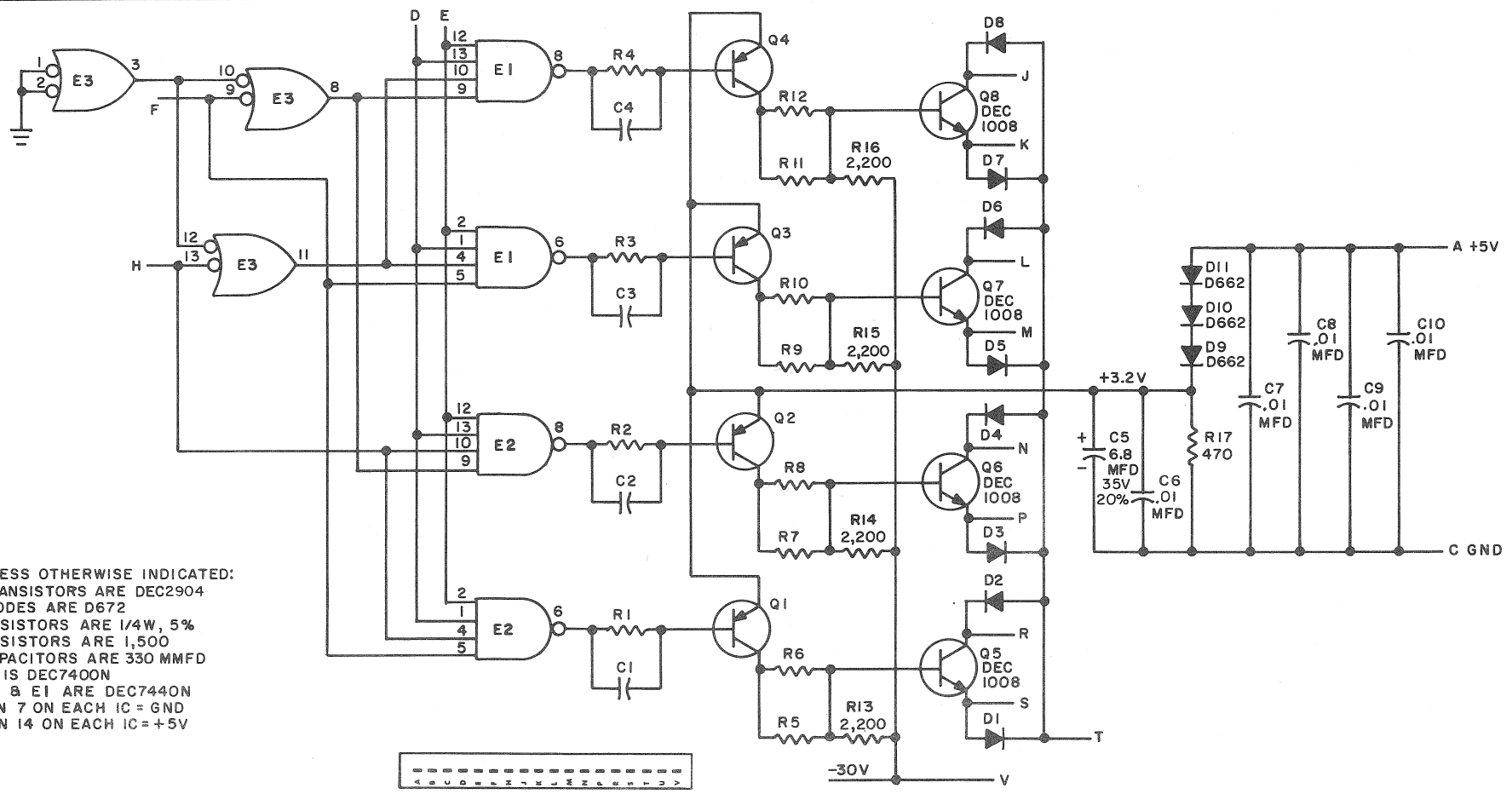
REVISIONS	CHK	CHG	NO	REV	C	D	DRN	DATE	TRANSISTOR & DIODE CONVERSION CHART				digital	TITLE			
00001							<i>M. Waller</i>	7-18-67	DEC	EIA	DEC	EIA		EQUIPMENT CORPORATION	SIZE	CODE	NUMBER
00002							<i>K. Sargent</i>	8-16-67	DEC3009B	2N3009			MAYNARD, MASSACHUSETTS	B	CS	6020-0-1	D
							PROD. 2		D662	IN645							
									D664	IN3606							
									IN753A	SAME							

DEC FORM NO. DRB 102

PRINTED CIRCUIT REV. E
 DIST. 324 434 435 PINK

REV. C
 NUMBER G221-0-1
 CODE B CS
 SIZE

THIS SCHEMATIC IS FURNISHED ONLY FOR TEST AND MAINTENANCE PURPOSES. THE CIRCUITS ARE PROPRIETARY IN NATURE AND SHOULD BE TREATED ACCORDINGLY. COPYRIGHT 1967 BY DIGITAL EQUIPMENT CORPORATION



UNLESS OTHERWISE INDICATED:
 TRANSISTORS ARE DEC2904
 DIODES ARE D672
 RESISTORS ARE 1/4W, 5%
 RESISTORS ARE 1,500
 CAPACITORS ARE 330 MMFD
 E3 IS DEC7400N
 E2 & E1 ARE DEC7440N
 PIN 7 ON EACH IC = GND
 PIN 14 ON EACH IC = +5V

PARTS LIST IS A-PL-G221-0-1

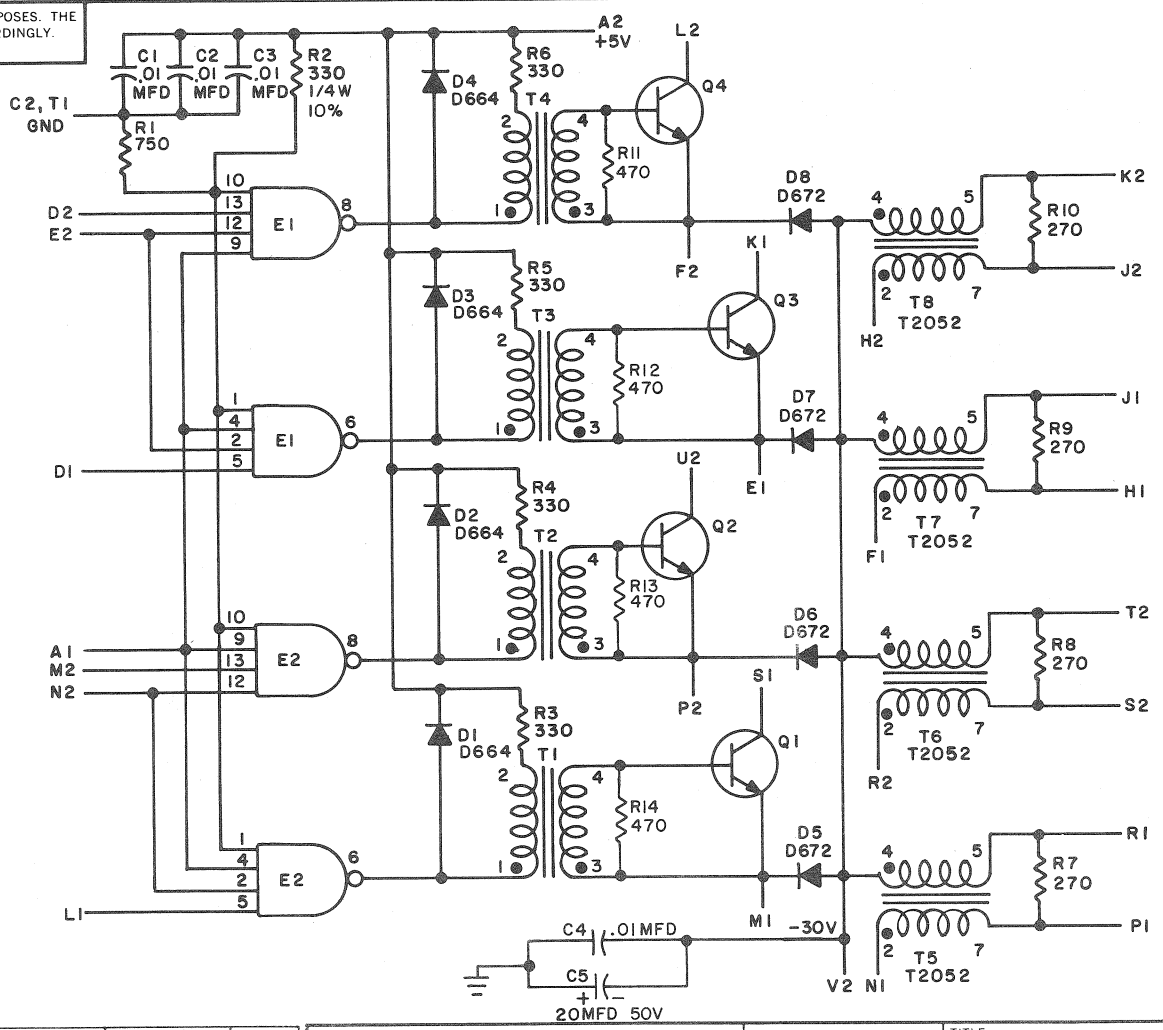
REVISIONS CHK CHG NO. REV A 6451 B 6508 C 00001	DRN. <i>m. Waller</i>	DATE 1-3-67	TRANSISTOR & DIODE CONVERSION CHART				digital EQUIPMENT CORPORATION MAYNARD, MASSACHUSETTS	TITLE MEMORY SELECTOR G221			
	CHK'D. <i>[Signature]</i>	DATE 5-3-67	DEC	EIA	DEC	EIA		SIZE B	CODE CS	NUMBER G221-0-1	REV. C
	ENG. <i>[Signature]</i>	DATE 5/15/67	DEC1008	MM1008							
	PROD. <i>[Signature]</i>	DATE	DEC2904	2N2904							
			D662	1N645							
			D672	1N3653							

DEC FORM NO. DRB 102

PRINTED CIRCUIT REV. A
 DIST. 324 434 435
 PINK

REV. A
 NUMBER G228-0-1
 B SIZE
 CS CODE
 CS

THIS SCHEMATIC IS FURNISHED ONLY FOR TEST AND MAINTENANCE PURPOSES. THE CIRCUITS ARE PROPRIETARY IN NATURE AND SHOULD BE TREATED ACCORDINGLY. COPYRIGHT 1967 BY DIGITAL EQUIPMENT CORPORATION



UNLESS OTHERWISE INDICATED:
 TRANSISTORS ARE DEC1008
 RESISTORS ARE 1/4W, 5%
 TRANSFORMERS ARE T2037
 IC'S ARE DEC7440N
 PIN 7 ON EACH IC = GND
 PIN 14 ON EACH IC = +5V

REVISIONS CHK CHG NO. REV 6452 A	DRN. <i>M. Waller</i>	DATE 4-4-67	TRANSISTOR & DIODE CONVERSION CHART				digital EQUIPMENT CORPORATION MAYNARD, MASSACHUSETTS	TITLE INHIBIT DRIVER G228			
	CHK'D. <i>[Signature]</i>	DATE	DEC	EIA	DEC	EIA		SIZE B	CODE CS	NUMBER G228-0-1	REV. A
	ENG. <i>[Signature]</i>	DATE 5/15/67	DEC1008	MM1008							
	PROD. <i>[Signature]</i>	DATE	D664	IN3606							
			D672	IN3653							

DEC FORM NO. DRB 102

THIS SCHEMATIC IS FURNISHED ONLY FOR TEST AND MAINTENANCE PURPOSES. THE CIRCUITS ARE PROPRIETARY IN NATURE AND SHOULD BE TREATED ACCORDINGLY. COPYRIGHT 1966 BY DIGITAL EQUIPMENT CORPORATION



UNLESS OTHERWISE INDICATED:
DIODES ARE D672
USE D671 AS SUBSTITUTE

REVISIONS:
CHK'D
ENG
PROD

DRN
CHK'D
ENG
PROD

DATE
DATE
DATE
DATE

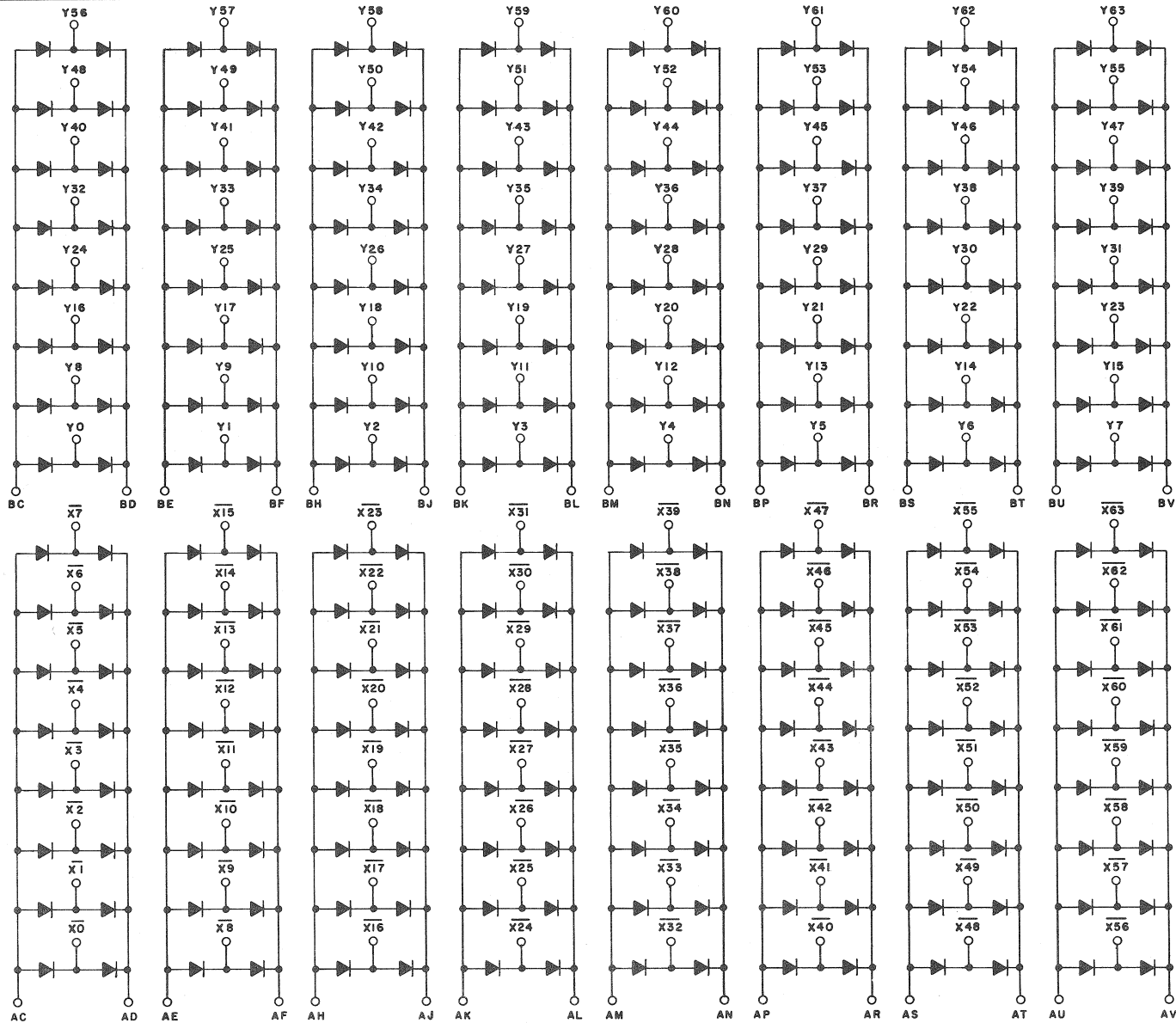
TRANSISTOR & DIODE CONVERSION CHART			
DEC	EIA	DEC	EIA
D672	1N3653		

digital
EQUIPMENT CORPORATION
MAYNARD, MASSACHUSETTS

TITLE
A-DIODE BOARD G610
SIZE CODE NUMBER REV
C CS G610-0-1
PRINTED CIRCUIT REV. A

REV. NUMBER G610-0-1

THIS SCHEMATIC IS FURNISHED ONLY FOR TEST AND MAINTENANCE PURPOSES. THE CIRCUITS ARE PROPRIETARY IN NATURE AND SHOULD BE TREATED ACCORDINGLY. COPYRIGHT 1966 BY DIGITAL EQUIPMENT CORPORATION



UNLESS OTHERWISE INDICATED:
DIODES ARE D672
USE D671 AS SUBSTITUTE

REVISIONS	CHK	CHK NO	REV.
	6108		A

DRN	DATE
<i>W. Baller</i>	11-28-66
CHK'D	DATE
<i>W. Baller</i>	11/28/66
ENG.	DATE
<i>W. Baller</i>	11/28/66
PROD.	DATE

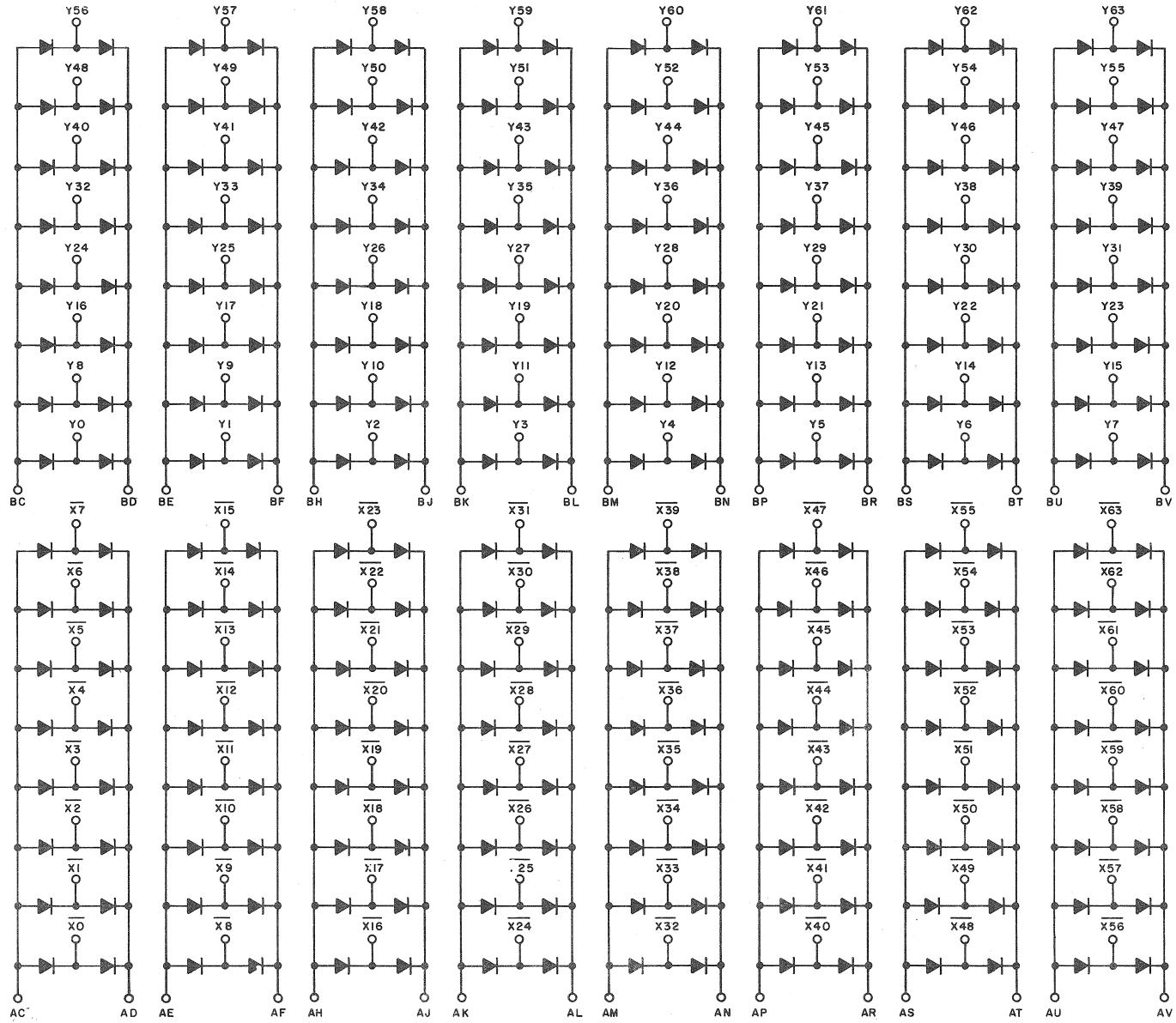
TRANSISTOR & DIODE CONVERSION CHART			
DEC	EIA	DEC	EIA
D672	1N3663		

digital
EQUIPMENT CORPORATION
MAYNARD, MASSACHUSETTS

TITLE	B-DIODE BOARD G611		
SIZE	CODE	NUMBER	REV.
C	CS	G611-0-1	A
PRINTED CIRCUIT REV.			

REV. A
NUMBER
G611-0-1
CS

THIS SCHEMATIC IS FURNISHED ONLY FOR TEST PURPOSES.
 CIRCUITS ARE PROPRIETARY IN NATURE AND ARE NOT TO BE REPRODUCED OR
 COPIED WITHOUT THE WRITTEN PERMISSION OF DIGITAL EQUIPMENT CORPORATION.



UNLESS OTHERWISE INDICATED:
 DIODES ARE D672
 USE D671 AS SUBSTITUTE

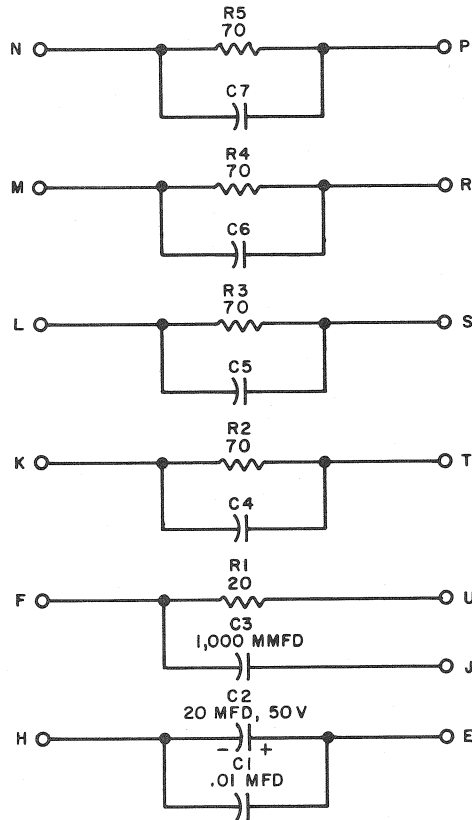
REV. _____
 NUMBER G612-0-1
 SIZE CODE C
 CS

REVISIONS CHK'G NO. REV.	DRN: <i>M. Wallen</i>	DATE: 5-22-67	TRANSISTOR & DIODE CONVERSION CHART				digital EQUIPMENT CORPORATION MAYNARD, MASSACHUSETTS	TITLE: 13 BIT B DIODE BOARD G612		REV.	
	CHK'D:	DATE:	DEC	EIA	DEC	EIA		SIZE: C	CODE: CS	NUMBER: G612-0-1	REV.
	ENG: <i>[Signature]</i>	DATE: 5-24-67	D672	IN3653							
	PROD: <i>[Signature]</i>	DATE:									

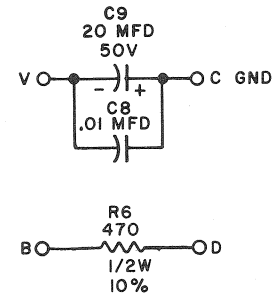
DEC FORM NO. DRC 102

REV. C
 NUMBER 6624-0-1
 SIZE CODE B CS

THIS SCHEMATIC IS FURNISHED ONLY FOR TEST AND MAINTENANCE PURPOSES. THE CIRCUITS ARE PROPRIETARY IN NATURE AND SHOULD BE TREATED ACCORDINGLY. COPYRIGHT 1967 BY DIGITAL EQUIPMENT CORPORATION



UNLESS OTHERWISE INDICATED:
 CAPACITORS ARE 680 MMFD
 RESISTORS ARE 10W, 1%, LOW INDUCTANCE



 <----->

REV. NO.	CHK	CHG	NO.	REV.
A			6442	
B			6561	
C			6709	

DRN.	<i>M. Haller</i>	DATE	5-24-67
CHK'D	<i>K. Silberman</i>	DATE	6/29/67
ENG.	<i>T. Coyne</i>	DATE	5/25/67
PROD.		DATE	

TRANSISTOR & DIODE CONVERSION CHART			
DEC	EIA	DEC	EIA

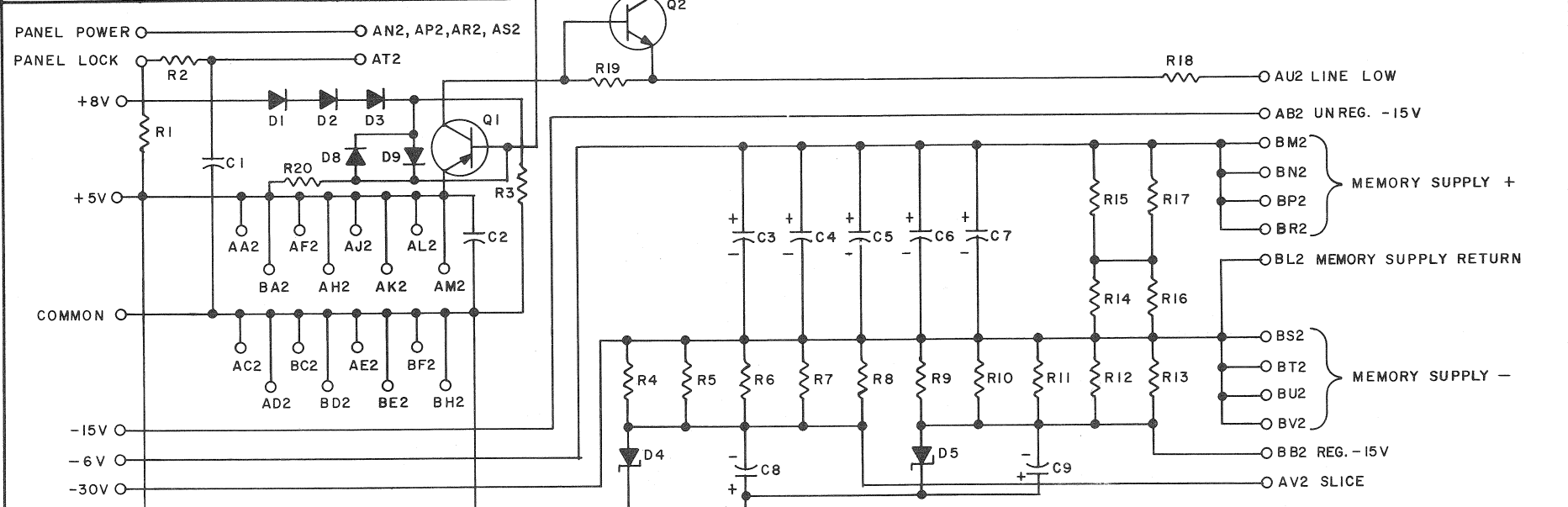
digital
 EQUIPMENT CORPORATION
 MAYNARD, MASSACHUSETTS

TITLE			
RESISTOR BOARD G624			
SIZE	CODE	NUMBER	REV.
B	CS	G624-0-1	C
PRINTED CIRCUIT REV.			C

DEC FORM NO. DRB 102

REV. NUMBER 6785-0-1

THIS SCHEMATIC IS FURNISHED ONLY FOR TEST AND MAINTENANCE PURPOSES. THE CIRCUITS ARE PROPRIETARY IN NATURE AND SHOULD BE TREATED ACCORDINGLY. COPYRIGHT 1968 BY DIGITAL EQUIPMENT CORPORATION

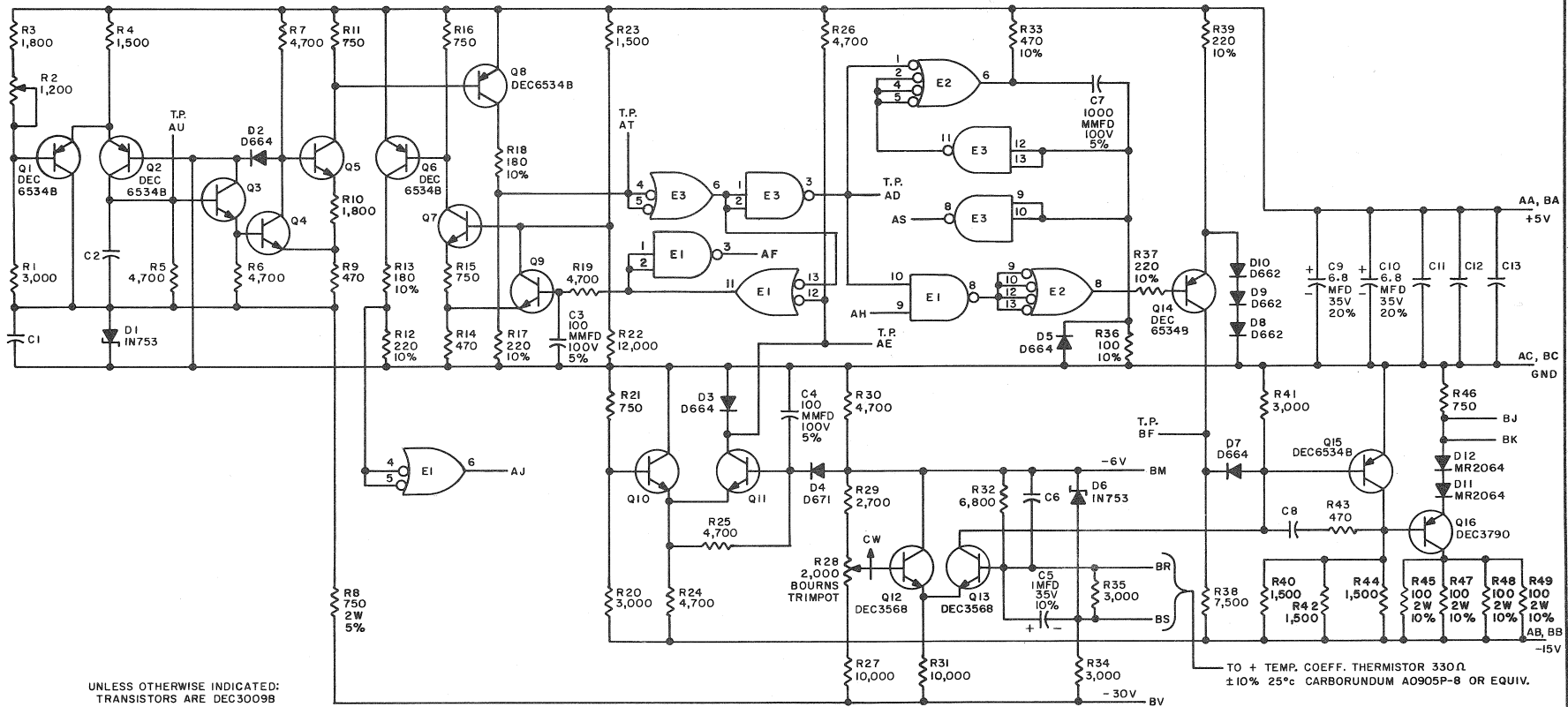


R19, R20	RES. 1K 1/4W 5% CC	1300365
R18	RES. 100 1/4W 10% CC	1300231
Q2	TRANSISTOR DEC 2	1505650
Q1	TRANSISTOR DEC6534B	1503409-01
R4 - R13, R1	RES. 3K 1/4W 5% CC	1300432
R3, R21	RES. 470 1/4W 10% CC	1300317
R2	RES. 180 1/4W 10% CC	1301324
R14 - R17	RES. 560 1/4W 10% CC	1300340
D4, D5	DIODE IN4744	1105648
D1 - D3, D6 - D9	DIODE D664	1100114
C3 - C9	CAP. 20MFD 50V -10+75% ELECT	1002839
C1, C2, C10	CAP. .01MFD 100V 20% DISC	1001610
	PARTS LIST	A-PL-6785-0-0
REFERENCE DESIGNATION	DESCRIPTION	PART NO.
PARTS LIST		

REVISIONS CHK (CHG NO. REV.)	DRN. <i>M. Miller</i>	DATE <i>8-21-68</i>	TRANSISTOR & DIODE CONVERSION CHART		digital EQUIPMENT CORPORATION MAYNARD, MASSACHUSETTS	TITLE POWER CONNECTOR G785	
	CHK'D <i>M. Miller</i>	DATE <i>8-21-68</i>	DEC	EIA		SIZE B	CODE CS
	ENG. <i>R. Clark</i>	DATE <i>7-4-68</i>	D664	IN3606			REV.
	PROD.	DATE	IN4744	SAME			
			DEC6534B	MPS6534			
			DEC2	NONE			
PRINTED CIRCUIT REV. <i>D</i>						DIST. <i>324 434 435</i>	

DEC FORM NO. DRB 102

THIS SCHEMATIC IS FURNISHED ONLY FOR TEST AND MAINTENANCE PURPOSES. THE CIRCUITS ARE PROPRIETARY IN NATURE AND SHOULD BE TREATED ACCORDINGLY. COPYRIGHT 1967 BY DIGITAL EQUIPMENT CORPORATION



UNLESS OTHERWISE INDICATED:
 TRANSISTORS ARE DEC3009B
 RESISTORS ARE 1/4W, 5%
 CAPACITORS ARE .01 MFD
 E1 & E3 ARE DEC7400N
 E2 IS DEC740N
 PIN 7 ON EACH IC = GND
 PIN 14 ON EACH IC = +5V
 R2 IS POT CODE #13-05778-3

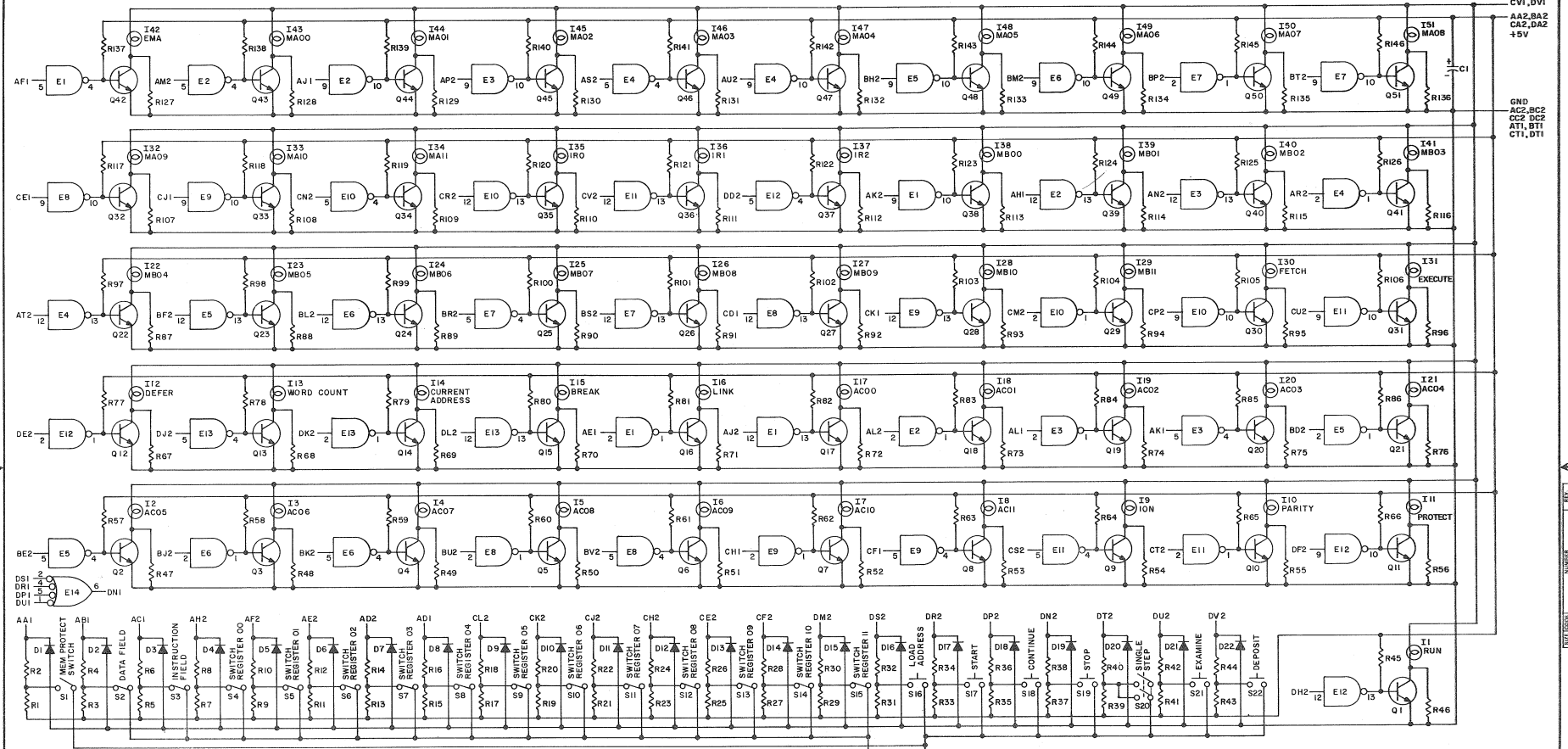
PARTS LIST A-PL-G826-0-0

REVISIONS CHK CHG NO. REV. E 2/3 6823	DRN. M. Waller DATE 5-10-67	TRANSISTOR & DIODE CONVERSION CHART				digital EQUIPMENT CORPORATION MAYNARD, MASSACHUSETTS	TITLE REGULATOR CONTROL G826		
	CHK'D. [Signature] DATE 5/15/67 PROD. [Signature] DATE 5/25/67	DEC DEC3009B DEC3568 DEC6534B DEC3790 D662	EIA 2N3009 2N3568 MPS6534 2N3790 IN645	DEC D664 D671	EIA IN3806 IN3653		SIZE C CS	CODE CS	NUMBER G826-0-1

DEC FORM NO. DRG 102

Dist. 324 430/833 PINK

THIS SCHEMATIC IS FURNISHED ONLY FOR TEST AND MAINTENANCE PURPOSES. THE CIRCUITS ARE PROPRIETARY IN NATURE AND SHOULD BE TREATED ACCORDINGLY. COPYRIGHT BY DIGITAL EQUIPMENT CORPORATION.



NOTE:
 PIN 7 ON EACH IC = GND
 PIN 14 ON EACH IC = +5V

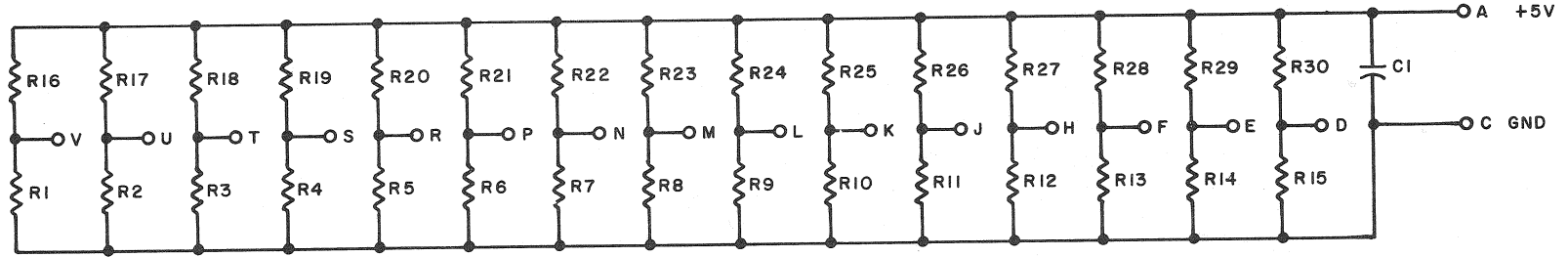
REFERENCE DESIGNATION	DESCRIPTION	PART NO.
Q1-Q51	TRANSISTOR DEC 2	1505650
I1-I51	LAMP #2309 0-P	1203219
E4	INTEGRATED CKT. DEC7420N	1905577
E1-E13	INTEGRATED CKT. DEC7401N	1905590
S16-S19, S21, S22	SWITCH, ROCKER RS-9-3-FB	1206375
S1-S15, S20	SWITCH, ROCKER RS-50-19-PC	1205941
R117-R126, R137-R146	RES. 1K 1/4W 5% CC	1300365
R45, R67-R66, R77-R86, R97-R106	RES. 390 1/4W 10% CC	1300310
R86-96, R97-96, R97-96, R107-106	RES. 1.5K 1/4W 5% CC	1300391
R1-R44	DIODE D664	1100114
D1-D22	CAP. 6.8 MFD 35V 20% STANT	1000067
C1	PARTS LIST	A-PL-921-0-0

REVISIONS	DATE	DESCRIPTION
1	11/15/68	TRANSISTOR & DIODE CONVERSION CHART
2	12/15/68	DEC 2 NONE
3	1/15/69	DEC 2 NONE

DIGITAL EQUIPMENT CORPORATION
PDP-8/L CONTROL PANEL G921
 DATE: 11/15/68
 DRAWN: [Signature]
 CHECKED: [Signature]
 DESIGNED: [Signature]
 PARTS LIST
 PRINTED CIRCUIT REV. []
 DIST. 324 N34 105 PINK

REV. NUMBER M002-0-1 CS B SIZE

THIS SCHEMATIC IS FURNISHED ONLY FOR TEST AND MAINTENANCE PURPOSES. THE CIRCUITS ARE PROPRIETARY IN NATURE AND SHOULD BE TREATED ACCORDINGLY. COPYRIGHT 1968 BY DIGITAL EQUIPMENT CORPORATION



 < O V U T S R P N M L K J I H G F E D C B A >

R16 - R30	RES. 1.8K 1/4W 10% CC	1301428
R1 - R15	RES. 3.3K 1/4W 5% CC	1300439
C1	CAP. .01MFD 100V 20% DISC	1001610
	PARTS LIST	A-PL-M002-0-0
REFERENCE DESIGNATION	DESCRIPTION	PART NO.

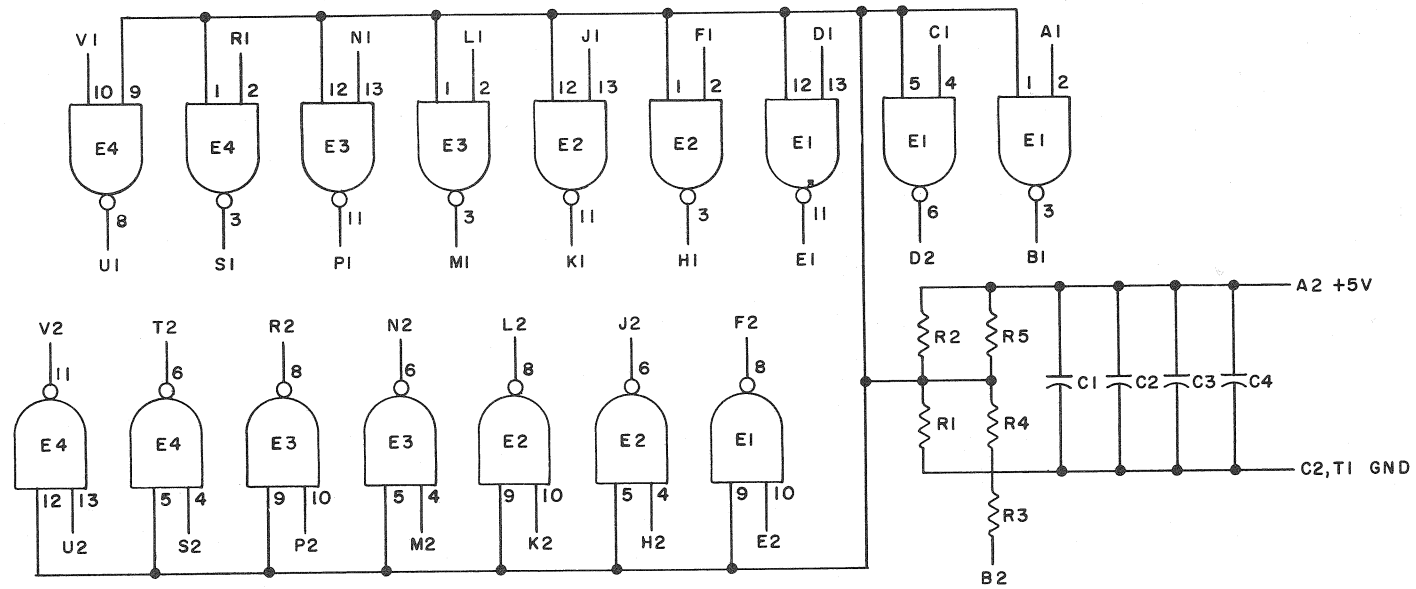
REVISIONS CHK CHG NO REV	DRN. <i>m. Waller</i>	DATE <i>6-21-68</i>	TRANSISTOR & DIODE CONVERSION CHART				digital EQUIPMENT CORPORATION MAYNARD, MASSACHUSETTS	TITLE 15 LOADS M002			
	CHK'D <i>m. Waller</i>	DATE <i>6/26/68</i>	DEC	EIA	DEC	EIA		SIZE B	CODE CS	NUMBER M002-0-1	REV.
	ENG. <i>m. Waller</i>	DATE <i>7/8/68</i>									
	PROD.	DATE									

DEC FORM NO. DRB 102

DIST. *324 4/31/135*

REV. NUMBER M111-0-1 B CS SIZE CODE

THIS SCHEMATIC IS FURNISHED ONLY FOR TEST AND MAINTENANCE PURPOSES. THE CIRCUITS ARE PROPRIETARY IN NATURE AND SHOULD BE TREATED ACCORDINGLY. COPYRIGHT 1968 BY DIGITAL EQUIPMENT CORPORATION



NOTES:
PIN 7 ON EACH IC = GND
PIN 14 ON EACH IC = +5V

E1-E4	INTEGRATED CKT. DEC7400N	1905575
R1-R5	RES. 750 1/4W 5% CC	1301401
C1-C4	CAP. .01MFD 100V 20% DISC	1001610
	PARTS LIST	A-PL-M111-0-0
REFERENCE DESIGNATION	DESCRIPTION	PART NO.

REVISIONS CHK CHG NO. REV.	DRN. <i>m. haller</i>	DATE 5-31-68	TRANSISTOR & DIODE CONVERSION CHART				 digital EQUIPMENT CORPORATION MAYNARD, MASSACHUSETTS	TITLE INVERTER M111		
	CHK'D <i>N. P. ...</i>	DATE 6/11/68	DEC	EIA	DEC	EIA		SIZE B	CODE CS	NUMBER M111-0-1
	ENG. <i>John Egan</i>	DATE 7/25/68					PRINTED CIRCUIT REV. A			
	PROD. <i>J. ...</i>	DATE								

DEC FORM NO. DRB 102

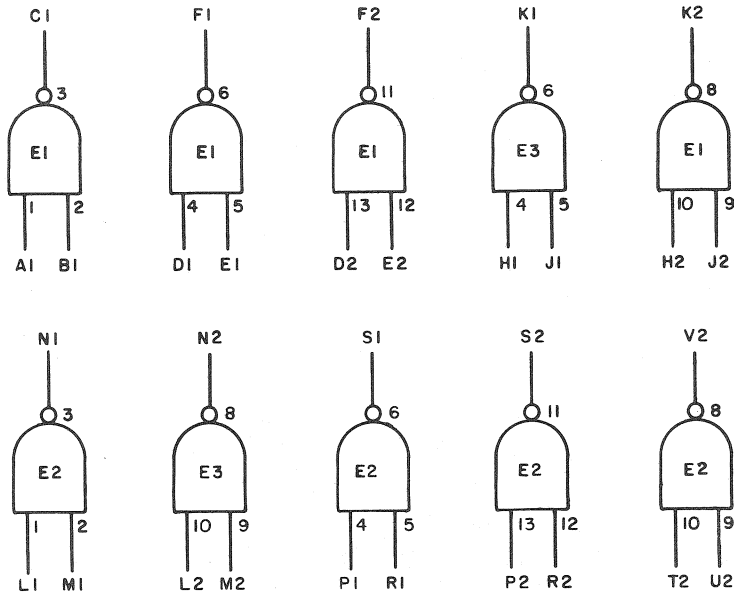
434 1 2 3 4

↓

C	REV	NUMBER	M113-0-1	CS	B	SIZE
---	-----	--------	----------	----	---	------

THIS SCHEMATIC IS FURNISHED ONLY FOR TEST AND MAINTENANCE PURPOSES. THE CIRCUITS ARE PROPRIETARY IN NATURE AND SHOULD BE TREATED ACCORDINGLY. COPYRIGHT 1967 BY DIGITAL EQUIPMENT CORPORATION

+5V ——— A2
 NOT USED -15V ——— B2
 GND ——— C2, T1



NOTES:
 PIN 7 ON EACH IC = GND
 PIN 14 ON EACH IC = +5V

E1 THRU E3	INTEGRATED CKT. DEC7400N	1905575
R1 AND R3	RES. 750 1/4W 5% CC	1301401
R2 AND R4	RES. 330 1/4W 10% CC	1300293
C1 AND C2	CAP. .01MFD 100V 20% DISC	1001610
	PARTS LIST	A-PL-M113-0-0
REFERENCE DESIGNATION	DESCRIPTION	PART NO.

PARTS LIST

REVISIONS CHK CHG NO REV 6425 A 6801 B 00001 C	DRN <i>M. Haller</i> DATE 3-15-67 CHK'D <i>[Signature]</i> DATE 4-21-67 ENG <i>[Signature]</i> DATE 4-21-67 PROD. <i>[Signature]</i> DATE	TRANSISTOR & DIODE CONVERSION CHART <table border="1" style="width: 100%; border-collapse: collapse;"> <tr> <td>DEC</td> <td>EIA</td> <td>DEC</td> <td>EIA</td> </tr> <tr><td> </td><td> </td><td> </td><td> </td></tr> <tr><td> </td><td> </td><td> </td><td> </td></tr> <tr><td> </td><td> </td><td> </td><td> </td></tr> <tr><td> </td><td> </td><td> </td><td> </td></tr> </table>	DEC	EIA	DEC	EIA																	<p>digital EQUIPMENT CORPORATION MAYNARD, MASSACHUSETTS</p>	TITLE 10-2 INPUT NAND GATES M113 SIZE B CODE CS NUMBER REV B CS M113-0-1 C PRINTED CIRCUIT REV. D
DEC	EIA	DEC	EIA																					

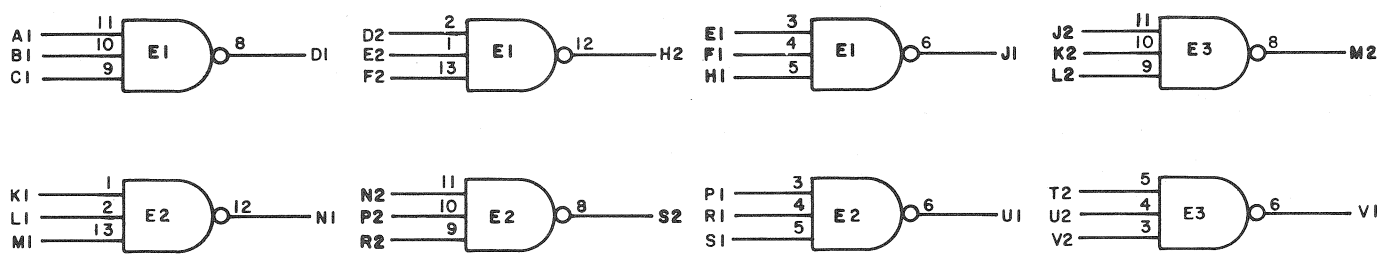
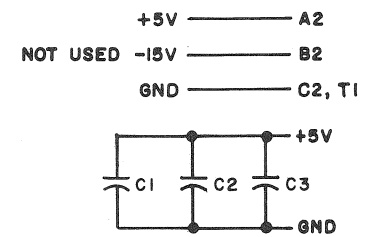
DEC FORM NO. DRB 102

↑ PINK DIST. 324 | 434 | 435

↓

C REV	MI15-0-1 NUMBER	B CS SIZE CODE
----------	--------------------	----------------------

THIS SCHEMATIC IS FURNISHED ONLY FOR TEST AND MAINTENANCE PURPOSES. THE CIRCUITS ARE PROPRIETARY IN NATURE AND SHOULD BE TREATED ACCORDINGLY. COPYRIGHT 1967 BY DIGITAL EQUIPMENT CORPORATION



NOTES:
 1. MINIMUM ON EACH IC = GND
 2. MINIMUM ON EACH IC = +5V

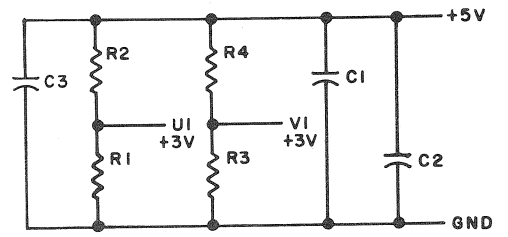
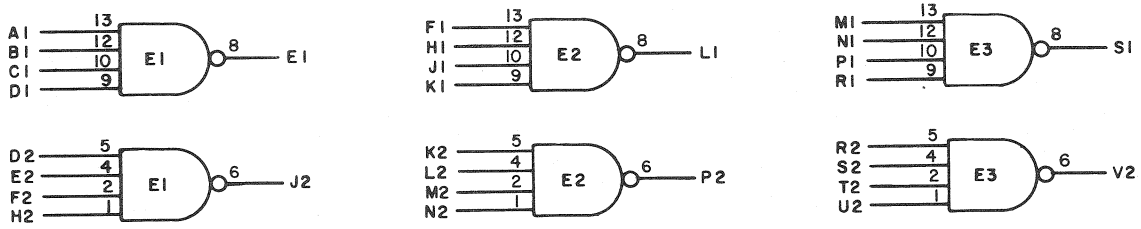
E1 THRU E3	INTEGRATED CKT. DEC7410N	1905576
C1 THRU C3	CAP. .01MFD 100V 20% DISC	1001610
	PARTS LIST	A-PL-MI15-0-0
REFERENCE DESIGNATION	DESCRIPTION	PART NO.

REVISIONS CHK. CHG. NO. REV. 3423 A 6800 B 00001 C	DRN. <i>M. Waller</i> DATE 4-20-67 CHK'D DATE 4-21-67 ENG. <i>W. S. White</i> DATE 4/21/67 PROD.	TRANSISTOR & DIODE CONVERSION CHART <table border="1" style="width: 100%; text-align: center;"> <tr> <th colspan="2">DEC</th> <th colspan="2">EIA</th> </tr> <tr> <td> </td><td> </td><td> </td><td> </td> </tr> <tr> <td> </td><td> </td><td> </td><td> </td> </tr> <tr> <td> </td><td> </td><td> </td><td> </td> </tr> </table>	DEC		EIA															TITLE 8-3 INPUT NAND GATES MI15 SIZE B CODE CS NUMBER REV. B CS MI15-0-1 C PRINTED CIRCUIT REV. D
	DEC		EIA																	

DEC FORM NO. DRB 102 ↑ PINK DIST. 324/H34 k-35 3

THIS SCHEMATIC IS FURNISHED ONLY FOR TEST AND MAINTENANCE PURPOSES. THE CIRCUITS ARE PROPRIETARY IN NATURE AND SHOULD BE TREATED ACCORDINGLY. COPYRIGHT 1967 BY DIGITAL EQUIPMENT CORPORATION

+5V ——— A2
 NOT USED -15V ——— B2
 GND ——— C2, T1



NOTES:
 PIN 7 ON EACH IC = GND
 PIN 14 ON EACH IC = +5V

E1 THRU E3	INTEGRATED CKT. DEC7420N	1905577
R1 & R3	RES. 750 1/4W 5% CC	1301401
R2 & R4	RES. 330 1/4W 10% CC	1300293
C1 THRU C3	CAP. .01MFD 100V 20% DISC	1001610
	PARTS LIST	A-PL-MII7-0-0
REFERENCE DESIGNATION	DESCRIPTION	PART NO.

REVISIONS	CHK	CHG NO	REV	DRN	DATE
		6424	A	<i>M. Waller</i>	3-15-67
		6799	B	<i>W. Rogers</i>	4-21-67
		00001	C	<i>Z. White</i>	4-21-67
				PROD.	

TRANSISTOR & DIODE CONVERSION CHART			
DEC	EIA	DEC	EIA

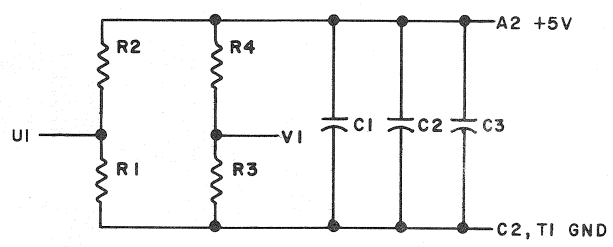
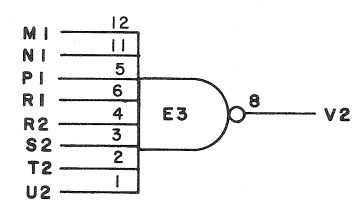
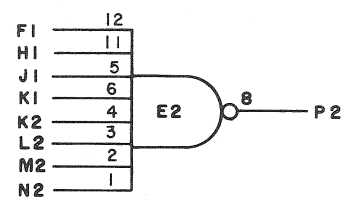
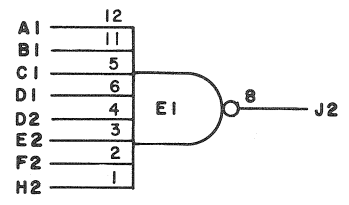


TITLE			
6-4 INPUT NAND GATES MII7			
SIZE	CODE	NUMBER	REV.
B	CS	MII7-0-1	C
PRINTED CIRCUIT REV.			
DIST. 324 434 435 3			5

↓

B	REV	1-0-611W	CS	B	SIZE
8	REV	NUMBER			

THIS SCHEMATIC IS FURNISHED ONLY FOR TEST AND MAINTENANCE PURPOSES. THE CIRCUITS ARE PROPRIETARY IN NATURE AND SHOULD BE TREATED ACCORDINGLY. COPYRIGHT 1967 BY DIGITAL EQUIPMENT CORPORATION



NOTES:
PIN 7 ON EACH IC = GND
PIN 14 ON EACH IC = +5V

E1 THRU E3	INTEGRATED CKT. DEC7430N	1905578
R2 & R4	RES. 330 1/4W 10% CC	1300293
R1 & R3	RES. 750 1/4W 5% CC	1301401
C1 THRU C3	CAP. .01MFD 100V 20% DISC	1001610
	PARTS LIST	A-PL-M119-0-0
REFERENCE DESIGNATION	DESCRIPTION	PART NO.

PARTS LIST

REVISIONS	CHK	CHG	NO	REV	
	6804		A		
	00001		B		
DRN	M. Waller		DATE	8-1-67	
CHK'D	A. Silberman		DATE	7/9/67	
ENG.	Alan Rebert		DATE	6/1/67	
PROD.			DATE		

TRANSISTOR & DIODE CONVERSION CHART			
DEC	EIA	DEC	EIA

digital
EQUIPMENT CORPORATION
MAYNARD, MASSACHUSETTS

TITLE: **3-8 INPUT NAND-GATES**
M119

SIZE	CODE	NUMBER	REV
B	CS	M119-0-1	B

PRINTED CIRCUIT REV. C

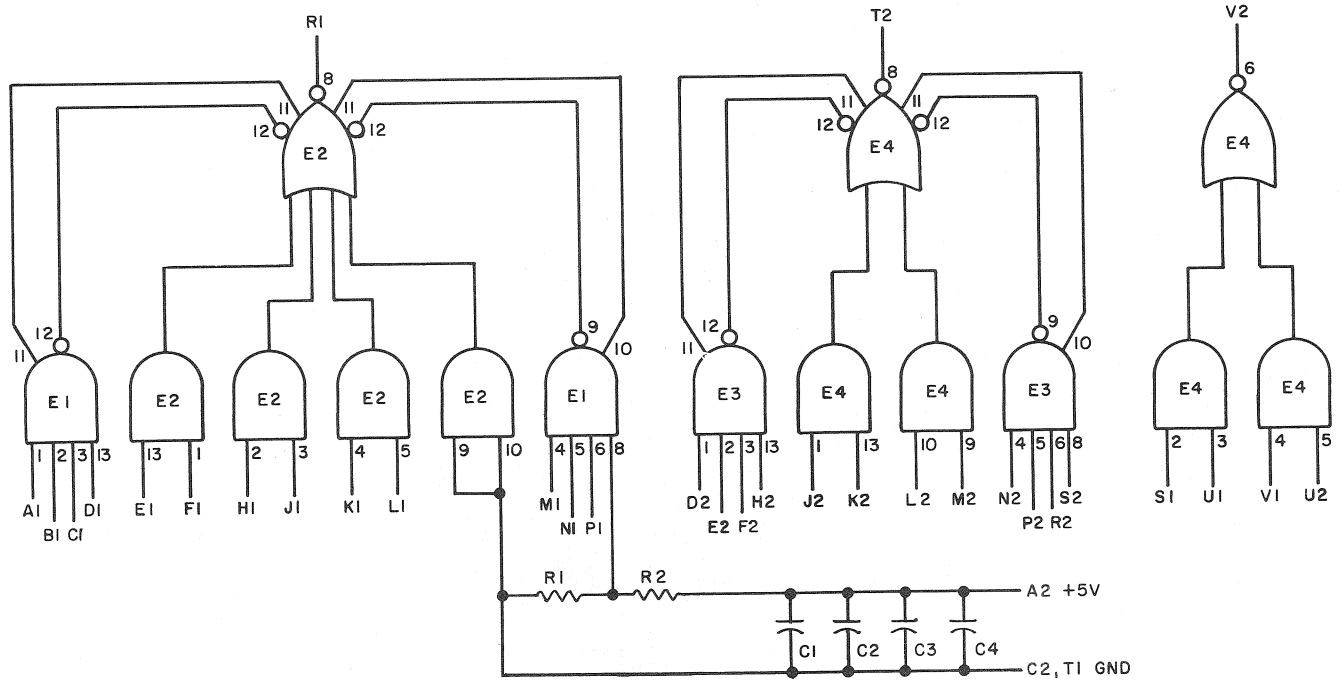
DEC FORM NO. DRB 102

↑ PINK

DIST. 524 12/12/67 5

REV. A
NUMBER M160-0-1
SIZE CODE B
CS

THIS SCHEMATIC IS FURNISHED ONLY FOR TEST AND MAINTENANCE PURPOSES. THE CIRCUITS ARE PROPRIETARY IN NATURE AND SHOULD BE TREATED ACCORDINGLY. COPYRIGHT 1967 BY DIGITAL EQUIPMENT CORPORATION



NOTES
PIN 7 ON EACH IC = GND
PIN 14 ON EACH IC = +5V

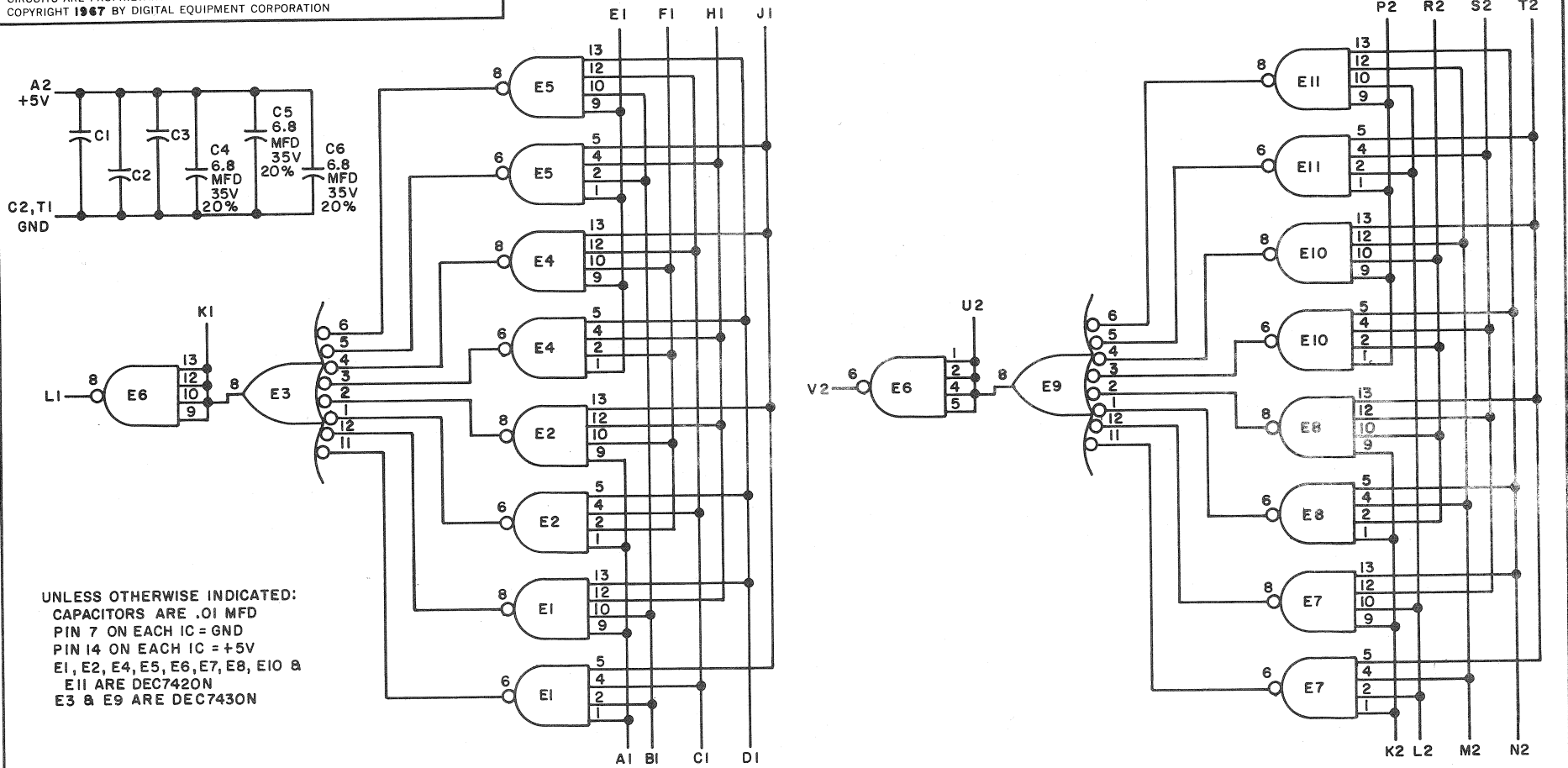
E4	INTEGRATED CKT. DEC7450N	1905580
E2	INTEGRATED CKT. DEC7453N	1905582
E1 & E3	INTEGRATED CKT. DEC7460N	1905581
R2	RES. 4.7K 1/4W 10% CC	1300448
R1	RES. 6.8K 1/4W 10% CC	1300463
C1 THRU C4	CAP. .01MFD 50V -0+20% DISC	1000001
	PARTS LIST	A-PL-M160-0-0
REFERENCE DESIGNATION	DESCRIPTION	PART NO.
PARTS LIST		

REVISIONS CHK. NO. REV. 6807 A	DRN. <i>M. Waller</i>	DATE 4-24-67	TRANSISTOR & DIODE CONVERSION CHART DEC EIA DEC EIA				digital EQUIPMENT CORPORATION MAYNARD, MASSACHUSETTS	TITLE GATE MODULE M160			
	CHK'D	DATE						SIZE B	CODE CS	NUMBER M160-0-1	REV. A
	ENG. <i>W. Meyer</i>	DATE	PRINTED CIRCUIT REV.								
	PROD.	DATE	C								

DEC FORM NO. DRB 102

REV. NUMBER M162-0-1 B CS SIZE CODE

THIS SCHEMATIC IS FURNISHED ONLY FOR TEST AND MAINTENANCE PURPOSES. THE CIRCUITS ARE PROPRIETARY IN NATURE AND SHOULD BE TREATED ACCORDINGLY. COPYRIGHT 1967 BY DIGITAL EQUIPMENT CORPORATION



UNLESS OTHERWISE INDICATED:
 CAPACITORS ARE .01 MFD
 PIN 7 ON EACH IC = GND
 PIN 14 ON EACH IC = +5V
 E1, E2, E4, E5, E6, E7, E8, E10 &
 E11 ARE DEC7420N
 E3 & E9 ARE DEC7430N

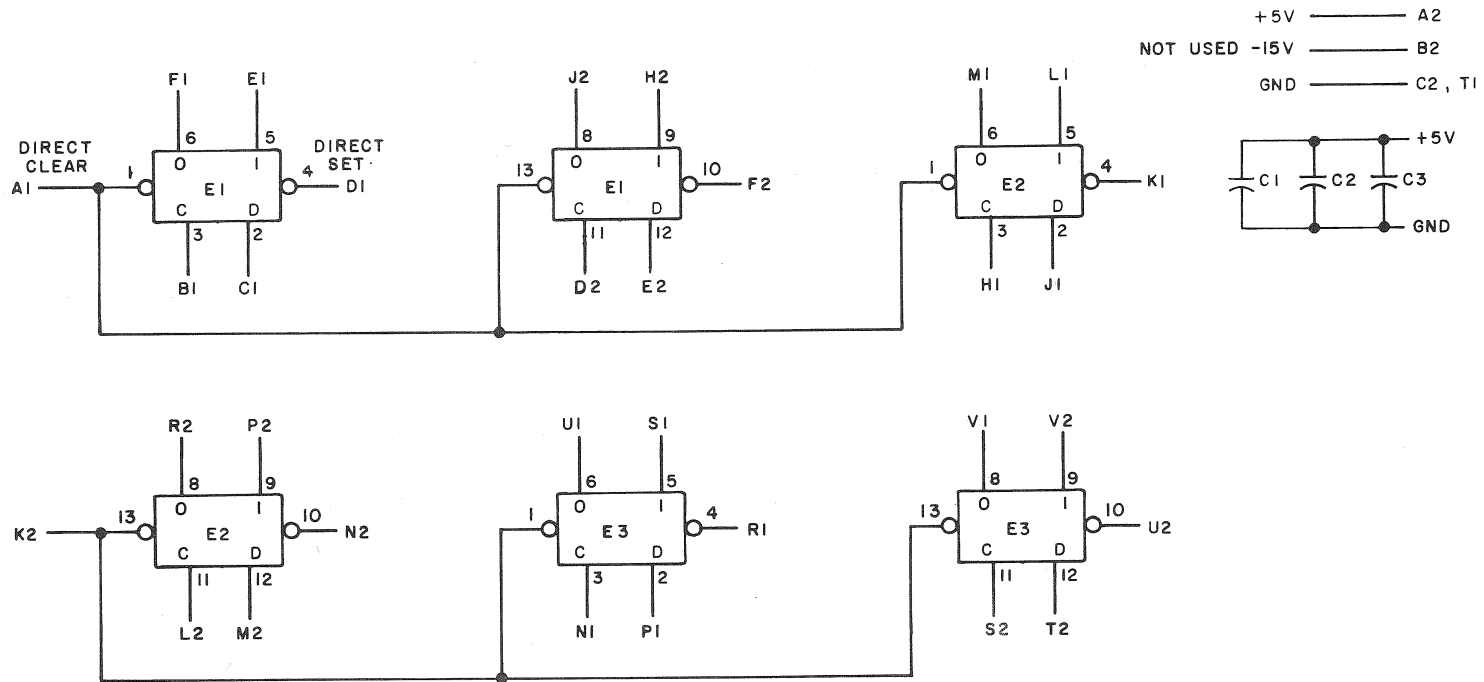
REVISIONS CHK CHG NO REV.	DRN <i>M. Waller</i>	DATE <i>4-18-67</i>	TRANSISTOR & DIODE CONVERSION CHART				TITLE PARITY CIRCUIT M162
	CHK'D <i>[Signature]</i>	DATE	DEC	EIA	DEC	EIA	
	ENG <i>[Signature]</i>	DATE <i>5/5/67</i>					SIZE CODE NUMBER REV.
	PROD.	DATE					B CS M162-0-1
							PRINTED CIRCUIT REV. A

DEC FORM NO. DRB 102

↓

REV	B	M216-0-1	CS	B	SIZE
NUMBER					

THIS SCHEMATIC IS FURNISHED ONLY FOR TEST AND MAINTENANCE PURPOSES. THE CIRCUITS ARE PROPRIETARY IN NATURE AND SHOULD BE TREATED ACCORDINGLY. COPYRIGHT 1967 BY DIGITAL EQUIPMENT CORPORATION



NOTES:
 PIN 7 ON EACH IC = GND
 PIN 14 ON EACH IC = +5V

E1 THRU E3	INTEGRATED CKT. DEC7474N	1905547
C1 THRU C3	CAP. .01 MFD 50V -0+20% DISC	1000001
	PARTS LIST	A-PL-M216-0-0
REFERENCE DESIGNATION	DESCRIPTION	PART NO.

PARTS LIST

REVISIONS CHK CHG NO. REV 6806 A	DRN. <i>M. Waller</i>	DATE 4-15-67	TRANSISTOR & DIODE CONVERSION CHART			TITLE SIX FLIP-FLOPS M216			
	CHK'D	DATE	DEC	EIA		SIZE B	CODE CS	NUMBER M216-0-1	REV. A
	ENR	DATE				PRINTED CIRCUIT REV.			
	PROD.	DATE				B			

DEC FORM NO. DRB 102

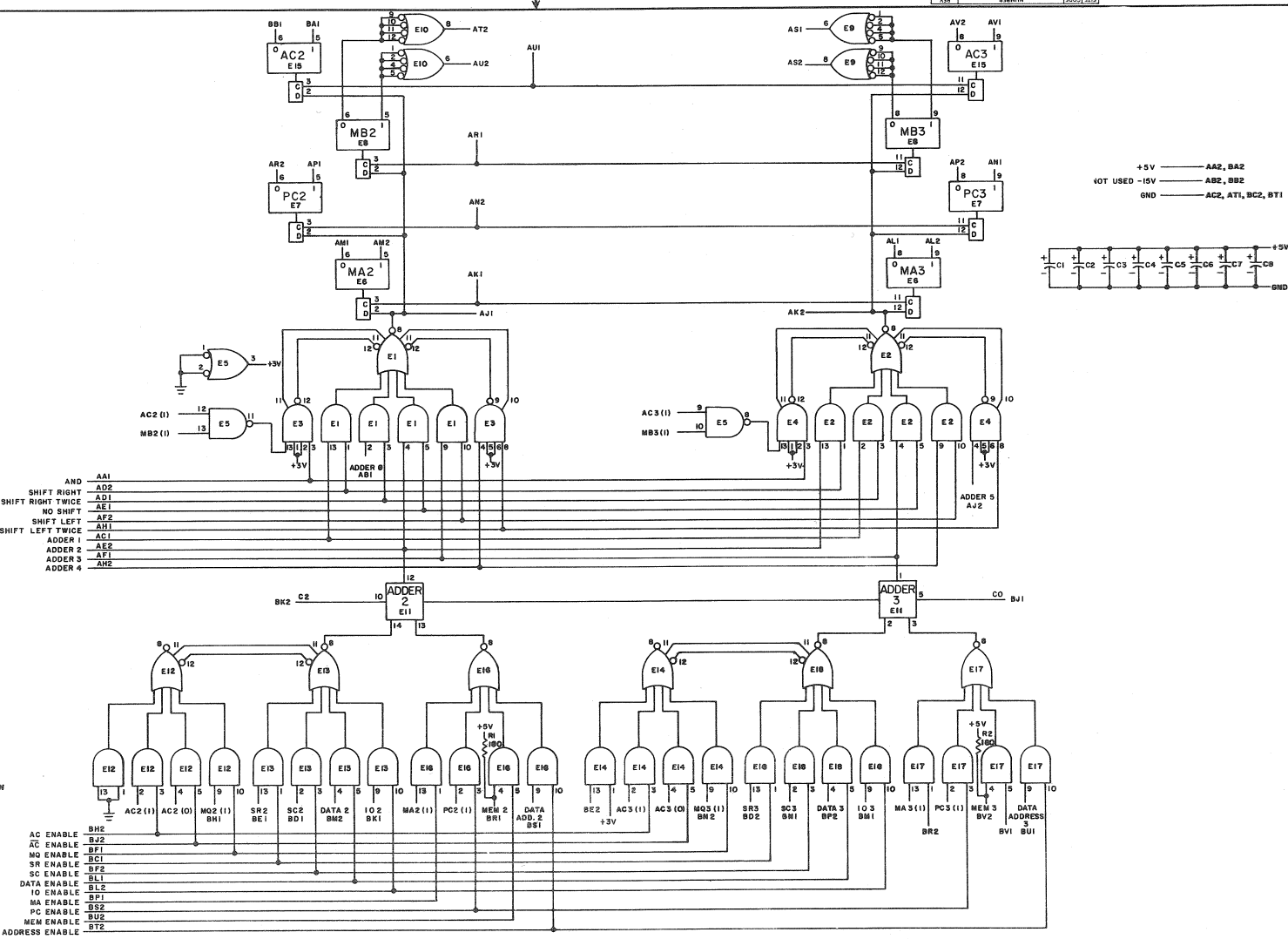
↑

PINK

DIST. 324 434 435²

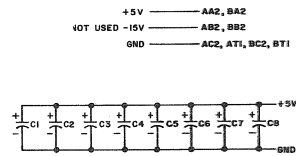
THIS SCHEMATIC IS FURNISHED ONLY FOR TEST AND MAINTENANCE PURPOSES. THE CIRCUITS ARE PROPRIETARY IN NATURE AND SHOULD BE TREATED ACCORDINGLY. COPYRIGHT 1967 BY DIGITAL EQUIPMENT CORPORATION

1-0-022M SC 1251 2251



UNLESS OTHERWISE INDICATED:
 E5, E7, E9, E16 ARE DEC7474W
 E5 IS DEC7400N
 E3 & E4 ARE DEC7460N
 E1, E2, E10, E13, E14, E16, E17, E18 ARE DEC7455M
 E11 IS DEC7482N
 PIN 7 ON EACH IC EXCEPT E10 = GND
 PIN 11 ON E10 = +5V
 PIN 14 ON EACH IC EXCEPT E10 = +5V
 PIN 4 ON E10 = +5V
 RESISTORS ARE 1/4W; 10%
 CAPACITORS ARE 0.01 MFD, 35V, 20%

- AC ENABLE BH2
- AD ENABLE BU2
- MA ENABLE BF1
- SR ENABLE DC1
- SC ENABLE DF2
- DATA ENABLE BL1
- MEM ENABLE BL2
- IO ENABLE DP1
- MA ENABLE DS2
- PC ENABLE BU2
- MEM ENABLE BU2
- DATA ADDRESS ENABLE BT2

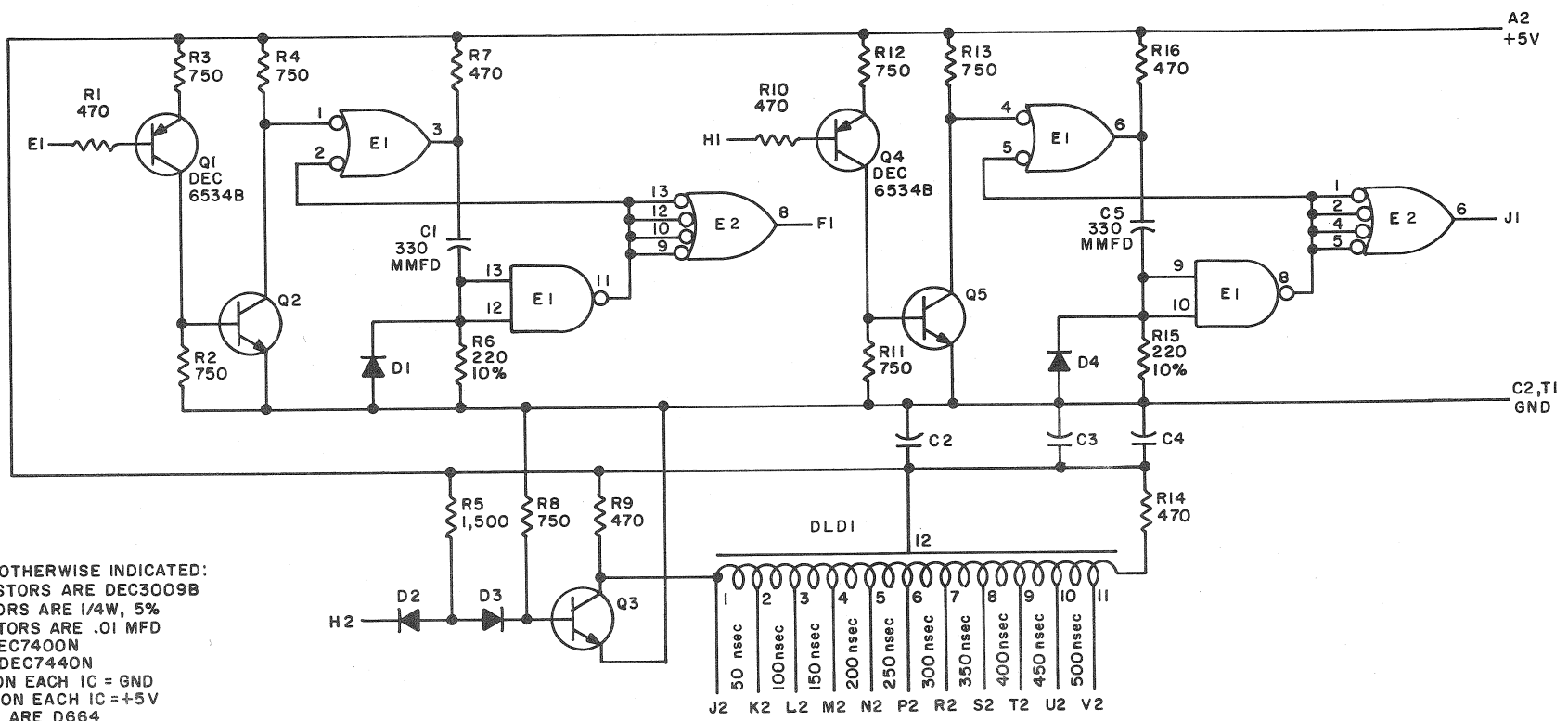


REVISIONS	DATE	3-19-67	TRANSISTOR & DIODE CONVERSION CHART		TITLE MAJOR REGISTERS M220
	BY	W. J. ...	DEC	EIA	
DATE	3-19-67	BY	W. J. ...	DATE	3-19-67
BY	W. J. ...	DATE	3-19-67	BY	W. J. ...
DATE	3-19-67	BY	W. J. ...	DATE	3-19-67

SIZE CODE NUMBER
 D CS M220-0-1
 CORPORATION
 PRINTED CIRCUIT REV. 1A

SIZE CODE B CS M310-0-1
 NUMBER REV. B

THIS SCHEMATIC IS FURNISHED ONLY FOR TEST AND MAINTENANCE PURPOSES. THE CIRCUITS ARE PROPRIETARY IN NATURE AND SHOULD BE TREATED ACCORDINGLY. COPYRIGHT 1967 BY DIGITAL EQUIPMENT CORPORATION



UNLESS OTHERWISE INDICATED:
 TRANSISTORS ARE DEC3009B
 RESISTORS ARE 1/4W, 5%
 CAPACITORS ARE .01 MFD
 E1 IS DEC7400N
 E2 IS DEC7440N
 PIN 7 ON EACH IC = GND
 PIN 14 ON EACH IC = +5V
 DIODES ARE D664
 DLD1 IS DEC16-05530

TRANSISTOR & DIODE CONVERSION CHART			
DEC		EIA	
DEC3009B	2N3009		
DEC6534B	MPS6534		
D662	1N645		
D664	1N3606		

digital
 EQUIPMENT CORPORATION
 MAYNARD, MASSACHUSETTS

TITLE DELAY LINE M310			
SIZE B	CODE CS	NUMBER M310-0-1	REV. B
PRINTED CIRCUIT REV.			B

REVISIONS	CHK	CHG	NO.	REV.
			6771	A
			00001	B

DRN. <i>M. Haller</i>	DATE 4-7-67
CHK'D <i>[Signature]</i>	DATE [Signature]
ENG. <i>[Signature]</i>	DATE 5/5/67
PROD. <i>[Signature]</i>	DATE

DEC FORM NO. DRB 102

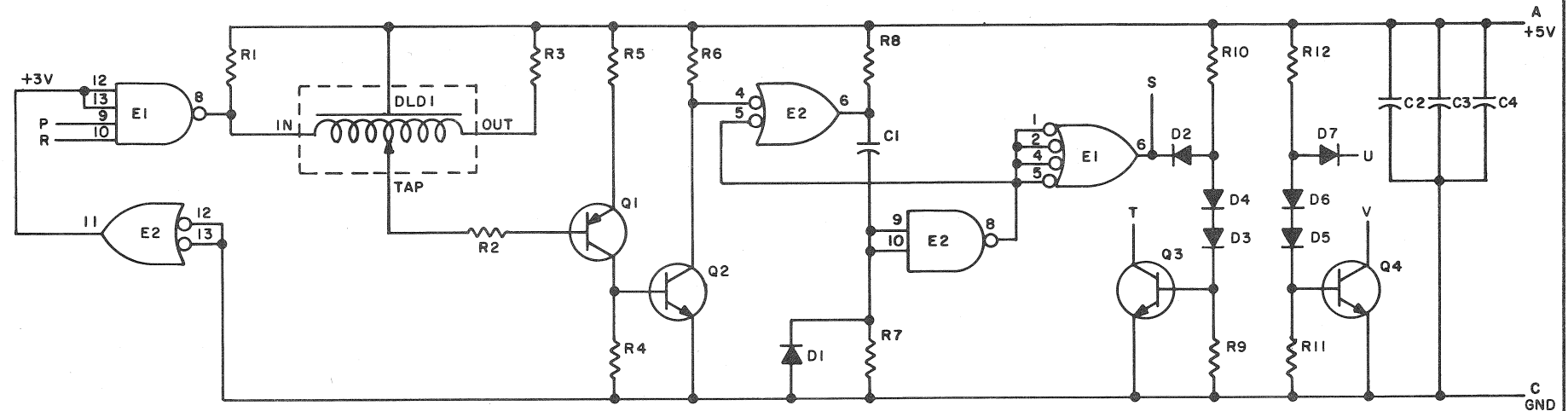
DIST. 324,434,435

PINK

↓

B	REV	M360-0-1	NUMBER	B	CS	SIZE
---	-----	----------	--------	---	----	------

THIS SCHEMATIC IS FURNISHED ONLY FOR TEST AND MAINTENANCE PURPOSES. THE CIRCUITS ARE PROPRIETARY IN NATURE AND SHOULD BE TREATED ACCORDINGLY. COPYRIGHT 1967 BY DIGITAL EQUIPMENT CORPORATION



NOTES:
 PIN 7 ON EACH IC = GND
 PIN 14 ON EACH IC = +5V

DLDI	DELAY LINE 500	1602167
E2	INTEGRATED CKT. DEC7400N	1905575
E1	INTEGRATED CKT. DEC7440N	1905579
Q1	TRANSISTOR DEC6534B	1503409-01
Q2, Q3, Q4	TRANSISTOR DEC3009B-S	1503100
R10, R12	RES. 1.5K 1/4W 5% CC	1300391
R9, R11	RES. 3K 1/4W 5% CC	1300432
R7	RES. 220 1/4W 5% CC	1300271
R4, R5, R6	RES. 750 1/4W 5% CC	1301401
R1, R2, R3, R8	RES. 470 1/4W 5% CC	1300316
D1-D7	DIODE D664	1100114
C2, C3, C4	CAP. .01MFD 100V 20% DISC	1001610
C1	CAP. 330MMF 100V 5% D.M.	1000023
	PARTS LJST	A-PL-M360-0-0
REFERENCE DESIGNATION	DESCRIPTION	PART NO.

REVISIONS	CHK	CHG NO.	REV.
		6978	A
		7058	B
		100001	

DRN.	DATE
<i>M. Waller</i>	3-31-67
CHK'D	DATE
<i>[Signature]</i>	5/3/67
ENG.	DATE
<i>[Signature]</i>	1/16/67
PROD.	DATE

TRANSISTOR & DIODE CONVERSION CHART			
DEC	EIA	DEC	EIA
DEC3009B	2N3009		
DEC6534B	MPS6534		
D664	IN3606		

digital
 EQUIPMENT CORPORATION
 MAYNARD, MASSACHUSETTS

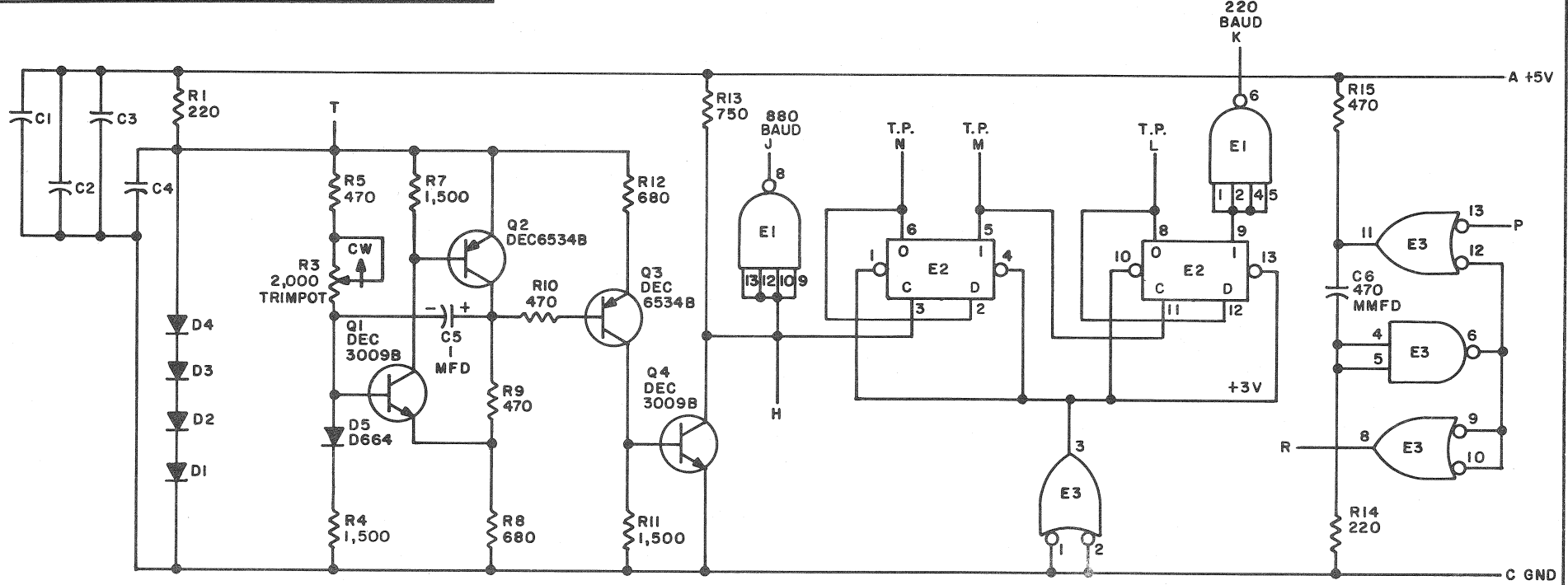
TITLE			
VARIABLE DELAY M360			
SIZE	CODE	NUMBER	REV.
B	CS	M360-0-1	B
PRINTED CIRCUIT REV.			
A B			

DEC FORM NO. DRB 102

DIST. 324 434 435 4 PINK

REV. A
 NUMBER M452-0-1
 CODE B CS
 SIZE 3Z1

THIS SCHEMATIC IS FURNISHED ONLY FOR TEST AND MAINTENANCE PURPOSES. THE CIRCUITS ARE PROPRIETARY IN NATURE AND SHOULD BE TREATED ACCORDINGLY. COPYRIGHT 1967 BY DIGITAL EQUIPMENT CORPORATION



UNLESS OTHERWISE INDICATED:
 RESISTORS ARE 1/4 W, 5%
 CAPACITORS ARE .01 MFD
 C5 IS 35V, 10%, TANT.
 DIODES ARE D662
 E1 IS DEC7440N
 E2 IS DEC7474N
 E3 IS DEC7400N
 PIN 7 ON EACH IC = GND
 PIN 14 ON EACH IC = +5V
 R3 IS A #275P

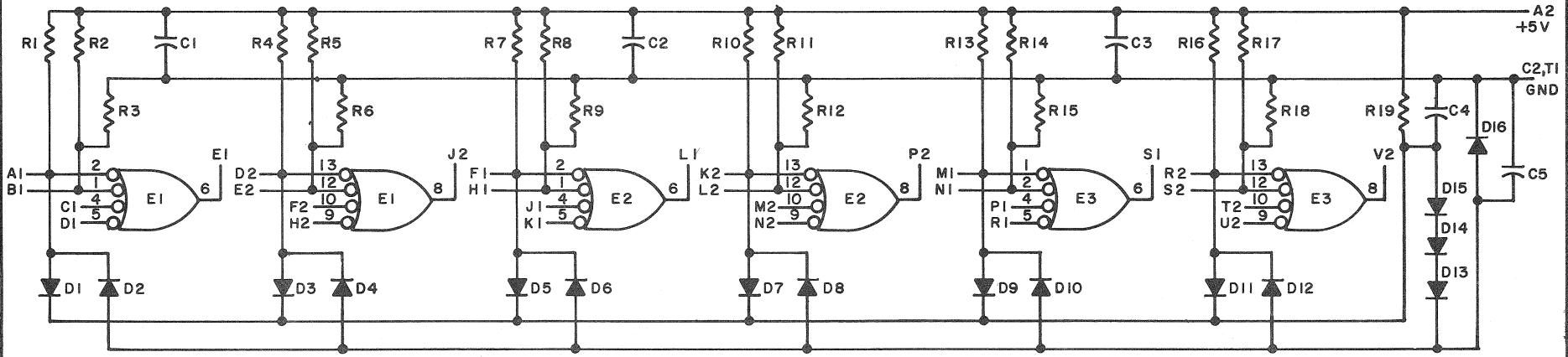
 < 4 5 6 7 8 9 10 11 12 13 14 15 16 17 18 19 20 >

REVISIONS CHK/CHG NO. REV.	DRN <i>M. Waller</i>	DATE 4-7-67	TRANSISTOR & DIODE CONVERSION CHART					TITLE VARIABLE CLOCK M452			
	CHK'D <i>[Signature]</i>	DATE 4/28/67	DEC	EIA	DEC	EIA		SIZE B	CODE CS	NUMBER M452-0-1	REV. A
	ENG <i>[Signature]</i>	DATE 4/28/67	DEC3009B	2N3009			EQUIPMENT CORPORATION				
	PRD. <i>[Signature]</i>	DATE	D662	1N645			MAYNARD, MASSACHUSETTS				
			D664	1N3606			PRINTED CIRCUIT REV. A				

DEC FORM NO. DRB 102

REV. NUMBER B SIZE CS M516-0-1

THIS SCHEMATIC IS FURNISHED ONLY FOR TEST AND MAINTENANCE PURPOSES. THE CIRCUITS ARE PROPRIETARY IN NATURE AND SHOULD BE TREATED ACCORDINGLY. COPYRIGHT 1968 BY DIGITAL EQUIPMENT CORPORATION



NOTES:
PIN 7 ON EACH IC = GND
PIN 14 ON EACH IC = +5V

E1-E3	INTEGRATED CKT. DEC7420N	1905577
R19	RES. 330 1/4W 5% CC	1300295
R3,R6,R9,R12,R15,R18	RES. 1.5K 1/4W 5% CC	1300391
R2,R5,R8,R11,R14,R17	RES. 750 1/4W 5% CC	1301401
R1,R4,R7,R10,R13,R16	RES. 220 1/4W 5% CC	1300271
D13 - D16	DIODE D662	1100113
D1 - D12	DIODE D664	1100114
C1 - C5	CAP. .01MFD 100V 20% DISC	1001610
	PARTS LIST	A-PL-M516-0-0
REFERENCE DESIGNATION	DESCRIPTION	PART NO.
	PARTS LIST	

REVISIONS	CHK	CHG	NO.	REV.

DRN.	DATE
M. Walter	6-20-68
CHK'D	DATE
H. Davis	6-20-68
ENG.	DATE
PROD.	DATE

TRANSISTOR & DIODE CONVERSION CHART			
DEC	EIA	DEC	EIA
D662	IN645		
D664	IN3606		

digital
EQUIPMENT CORPORATION
MAYNARD, MASSACHUSETTS

TITLE			
POSITIVE BUS RECEIVER M516			
SIZE	CODE	NUMBER	REV.
B	CS	M516-0-1	
PRINTED CIRCUIT REV.			A

DEC FORM NO. DRB 102

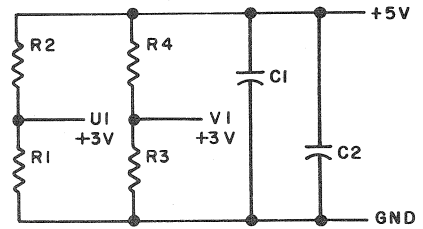
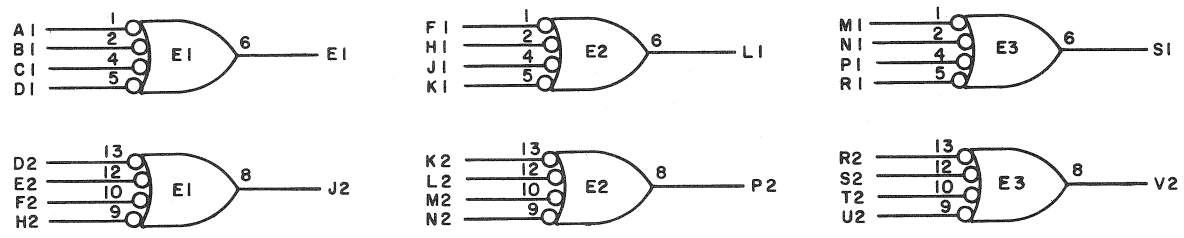
PINK DIST 324 434 435

↓

B	REV.	M617-0-1	NUMBER	B	CS	M617-0-1	CODE	B	SIZE
---	------	----------	--------	---	----	----------	------	---	------

THIS SCHEMATIC IS FURNISHED ONLY FOR TEST AND MAINTENANCE PURPOSES. THE CIRCUITS ARE PROPRIETARY IN NATURE AND SHOULD BE TREATED ACCORDINGLY. COPYRIGHT 1967 BY DIGITAL EQUIPMENT CORPORATION

+5V ——— A 2
 NOT USED -15V ——— B 2
 GND ——— C 2, T 1



NOTES:
 PIN 7 ON EACH IC = GND
 PIN 14 ON EACH IC = +5V
 USE THE ETCH BOARD OF THE M117

E1 THRU E3	INTEGRATED CKT, DEC7440N	1905579
R2 & R4	RES 330 1/4W 10% CC	1300293
R1 & R3	RES. 750 1/4W 5% CC	1301401
C1 & C2	CAP. .01MFD 50V-0+20% DISC	1000001
	PARTS LIST	A-PL-M617-0-0
REFERENCE DESIGNATION	DESCRIPTION	PART NO.

PARTS LIST			
digital		TITLE 6-4 INPUT NOR BUFFERS M617	
SIZE	CODE	NUMBER	REV.
B	CS	M617-0-1	B
PRINTED CIRCUIT REV			C

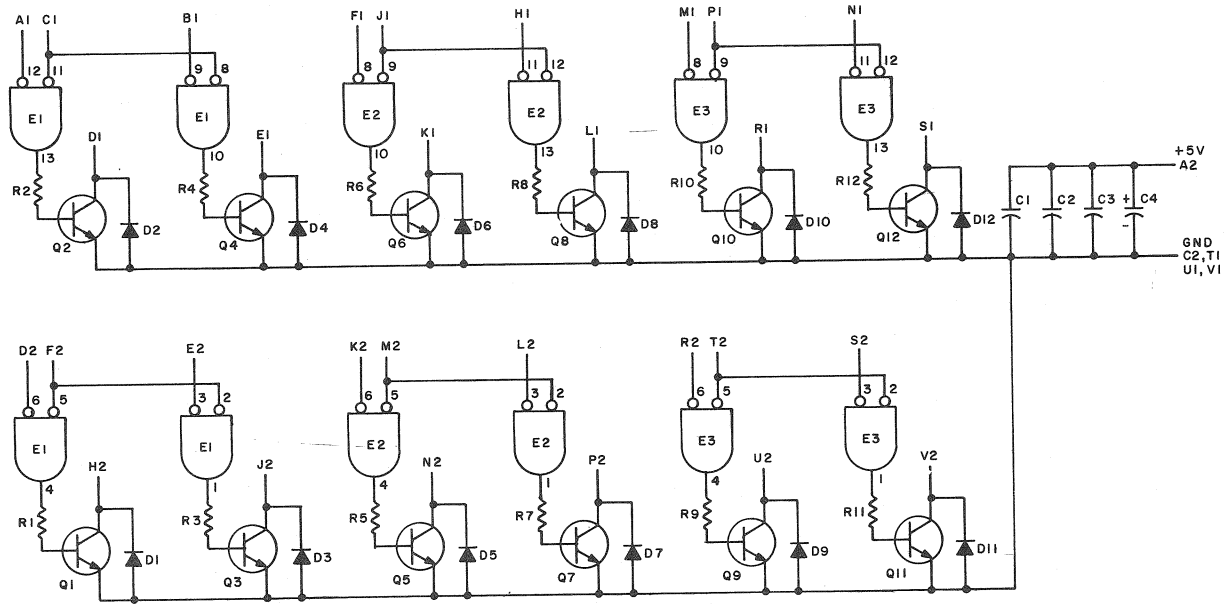
REVISIONS	DRN	DATE
CHK CHG NO REV	<i>M. Keller</i>	3-15-67
6422 A	CHK'D	DATE
5824 B	<i>[Signature]</i>	4-21-67
	ENG	DATE
	<i>[Signature]</i>	4-21-67
	PROD.	DATE

TRANSISTOR & DIODE CONVERSION CHART			
DEC	EIA	DEC	EIA

digital
 EQUIPMENT CORPORATION
 MAYNARD, MASSACHUSETTS

DISC 329 / 339 / 353

THIS SCHEMATIC IS FURNISHED ONLY FOR TEST AND MAINTENANCE PURPOSES. THE CIRCUITS ARE PROPRIETARY IN NATURE AND SHOULD BE TREATED ACCORDINGLY. COPYRIGHT 1969 BY DIGITAL EQUIPMENT CORPORATION



NOTES:
PIN 7 ON EACH IC = GND
PIN 14 ON EACH IC = +5V

REV. _____
NUMBER M623-0-1
SIZE CODE C CS
C M623-0-1

E1 - E3	INTEGRATED CKT. DEC7402N	1909004
Q1 - Q12	TRANSISTOR DEC3009B	1503100
R1 - R12	RES. 390 1/4W 5% CC	1300309
D1 - D12	DIODE D664	1100114
C4	CAP. 6.8MFD 35V 20% STANT	1000067
C1 - C3	CAP. .01MFD 100V 20% DISC	1001840
	PARTS LIST	A-PL-M6230-0
REFERENCE DESIGNATION	DESCRIPTION	PART NO.

TRANSISTOR & DIODE CONVERSION CHART			TITLE	
DEC	EIA		BUS DRIVER M623	
D664	1N3606		SIZE CODE	NUMBER
DEC3009B	2N3009		C CS	M623-0-1
			PRINTED CIRCUIT REV.	A

REVISIONS
CHK/CHG NO. REV.

DRN. M. Heller
DATE 6-4-69
CHK'D. M. Heller
DATE 4/16/68
ENG. J. Flynn
DATE 2/1/68
PROD. J. Flynn
DATE

DEC FORM NO. DRC 102

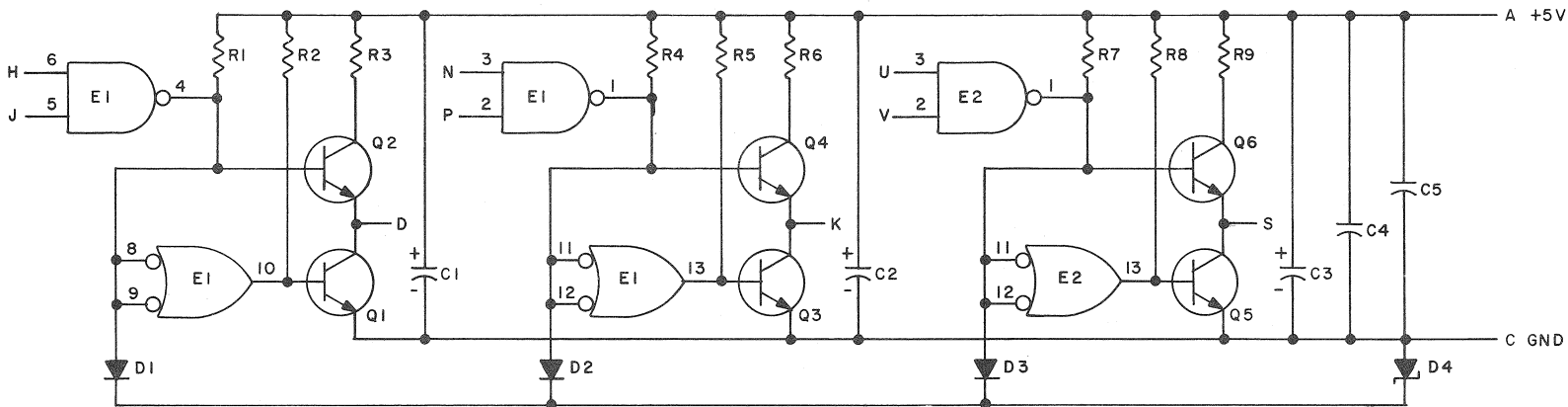
P/ANK

D/ST. 132414344221

↓

REV.	M660-0-1	CS	B
	NUMBER	CODE	SIZE

THIS SCHEMATIC IS FURNISHED ONLY FOR TEST AND MAINTENANCE PURPOSES. THE CIRCUITS ARE PROPRIETARY IN NATURE AND SHOULD BE TREATED ACCORDINGLY. COPYRIGHT 1968 BY DIGITAL EQUIPMENT CORPORATION



NOTES:
 PIN 7 ON EACH IC = GND
 PIN 14 ON EACH IC = +5V

E1, E2	INTEGRATED CKT. DEC7401N	1905590
Q1 - Q6	TRANSISTOR DEC3009B-S	1503100
R3, R6, R9	RES. 27 1/2W 5% CC	1302253
R2, R5, R8	RES. 1.5K 1/4W 5% CC	1300391
R1, R4, R7	RES. 470 1/4W 5% CC	1300316
D4	DIODE IN750	1100123
D1 - D3	DIODE D664	1100114
C4, C5	CAP. .01MFD 100V 20% DISC	1001610
C1 - C3	CAP. 6.8MFD 35V 20% S.TANT	1000067
PARTS LIST		A-PL-M660-0-0
REFERENCE DESIGNATION	DESCRIPTION	PART NO.



REVISIONS CHK/CHG NO./REV	

DRN. <i>M. Waller</i>	DATE 7-12-68
CHK'D <i>M. Waller</i>	DATE 7/12/68
ENG. <i>H. Gough</i>	DATE 7/24/68
PROD.	DATE

TRANSISTOR & DIODE CONVERSION CHART			
DEC		EIA	
D664		IN3606	
IN750		SAME	
DEC3009B		2N3009	

digital
 EQUIPMENT CORPORATION
 MAYNARD, MASSACHUSETTS

TITLE POSITIVE LEVEL DRIVER M660			
SIZE B	CODE CS	NUMBER M660-0-1	REV.
PRINTED CIRCUIT REV.			A

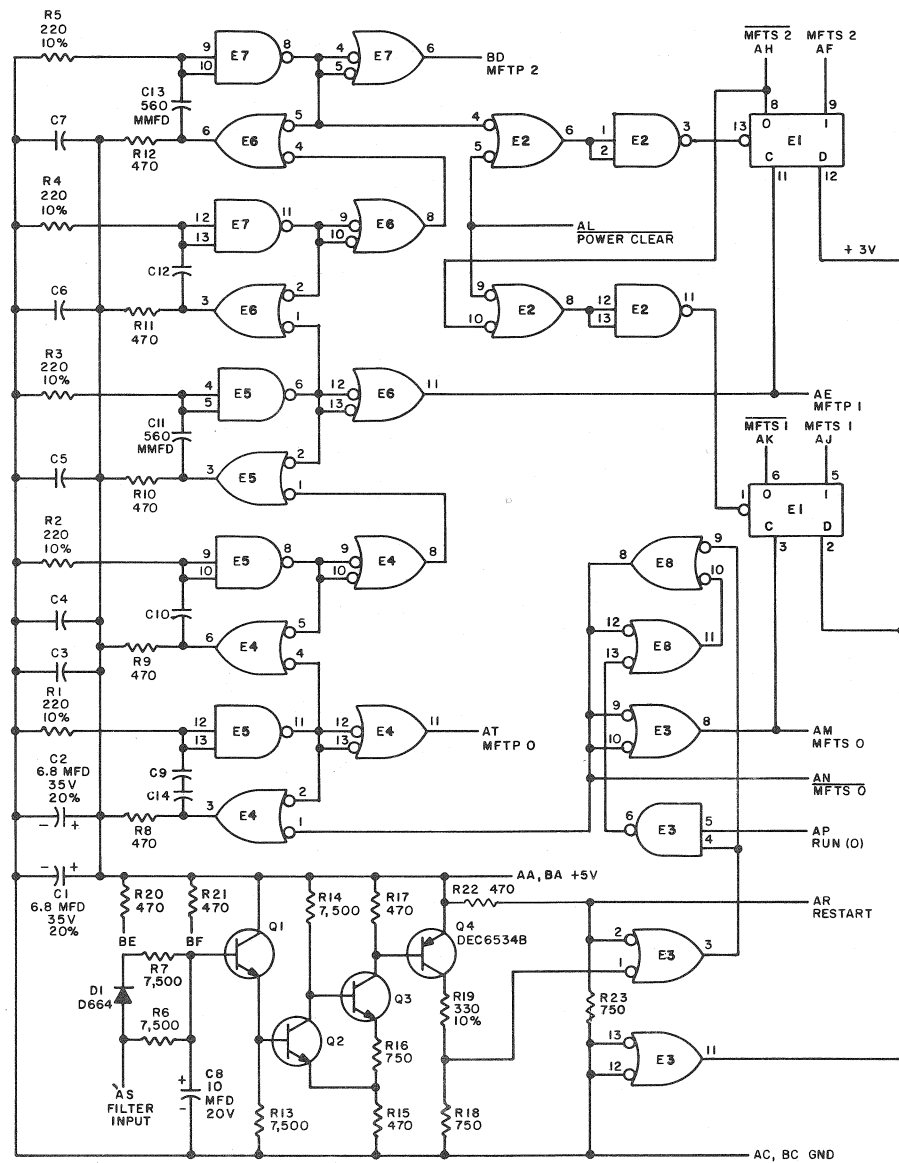
DEC FORM NO. DRB 102

↑

PINK

DIST. 1434 435 324

THIS SCHEMATIC IS FURNISHED ONLY FOR TEST AND MAINTENANCE PURPOSES. THE CIRCUITS ARE PROPRIETARY IN NATURE AND SHOULD BE TREATED ACCORDINGLY. COPYRIGHT 1967 BY DIGITAL EQUIPMENT CORPORATION



UNLESS OTHERWISE INDICATED:
 TRANSISTORS ARE DEC3009B
 CAPACITORS ARE .01 MFD
 RESISTORS ARE 1/4W, 5%
 E1 IS DEC7474M
 E2, E3, E4, E5, E6, E7, E8 ARE DEC7400N
 PIN 7 ON EACH IC = GND
 PIN 14 ON EACH IC = +5V

PARTS LIST A-PL-M700-0-0

REVISIONS	CHK'D	NO.	REV.
1	W	000011	A
2	W	000012	B

DRN	DATE
W. Waller	4-27-67
W. Waller	5/5/67
W. Waller	5/5/67
W. Waller	2-8-68

TRANSISTOR & DIODE CONVERSION CHART			
DEC	EIA	DEC	EIA
DEC3009B	2N3009		
DEC6534B	MPS6534		
D664	1N3606		

digital
 EQUIPMENT CORPORATION
 MAYNARD, MASSACHUSETTS

TITLE			NUMBER		
MANUAL TIMING GENERATOR M700			M700-0-1		
SIZE	CODE	NUMBER	REV.		
C	CS	M700-0-1	B		
PRINTED CIRCUIT REV. 10					

DEC FORM NO. DRC 102

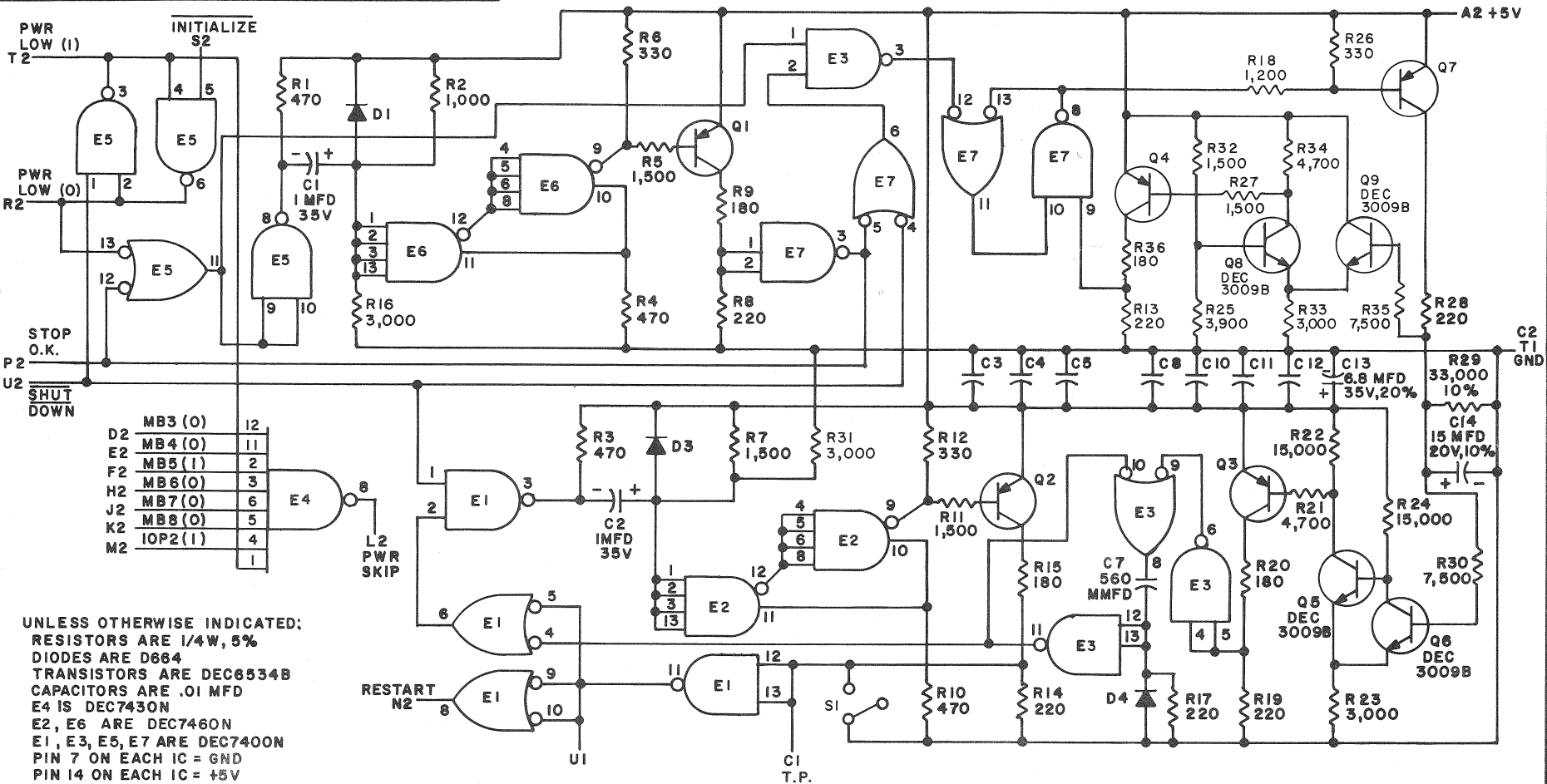
PINK

10.151. 324 434 435

REV. B
 NUMBER
 M700-0-1

REV. F NUMBER M703-0-1 CS B SIZE

THIS SCHEMATIC IS FURNISHED ONLY FOR TEST AND MAINTENANCE PURPOSES. THE CIRCUITS ARE PROPRIETARY IN NATURE AND SHOULD BE TREATED ACCORDINGLY. COPYRIGHT 1967 BY DIGITAL EQUIPMENT CORPORATION



UNLESS OTHERWISE INDICATED:
 RESISTORS ARE 1/4W, 5%
 DIODES ARE D664
 TRANSISTORS ARE DEC6534B
 CAPACITORS ARE .01 MFD
 E4 IS DEC7430N
 E2, E6 ARE DEC7460N
 E1, E3, E5, E7 ARE DEC7400N
 PIN 7 ON EACH IC = GND
 PIN 14 ON EACH IC = +5V
 S1 IS SWITCH #6ATI-T2

PARTS LIST A-PL-M703-0-0

REV.	CHK	CHG NO.	REV.
	C	6617	
	D	7148	
	E	7125	
	F	7165	
		00001	

DRN. <i>M. Keller</i>	DATE <i>9-27-67</i>
CHK'D	DATE
DATE	DATE
DATE	DATE
PROD. 2	DATE

TRANSISTOR & DIODE CONVERSION CHART			
DEC	EIA	DEC	EIA
DEC6534B	MPS6534		
D664	IN3606		
DEC3009B	2N3009		

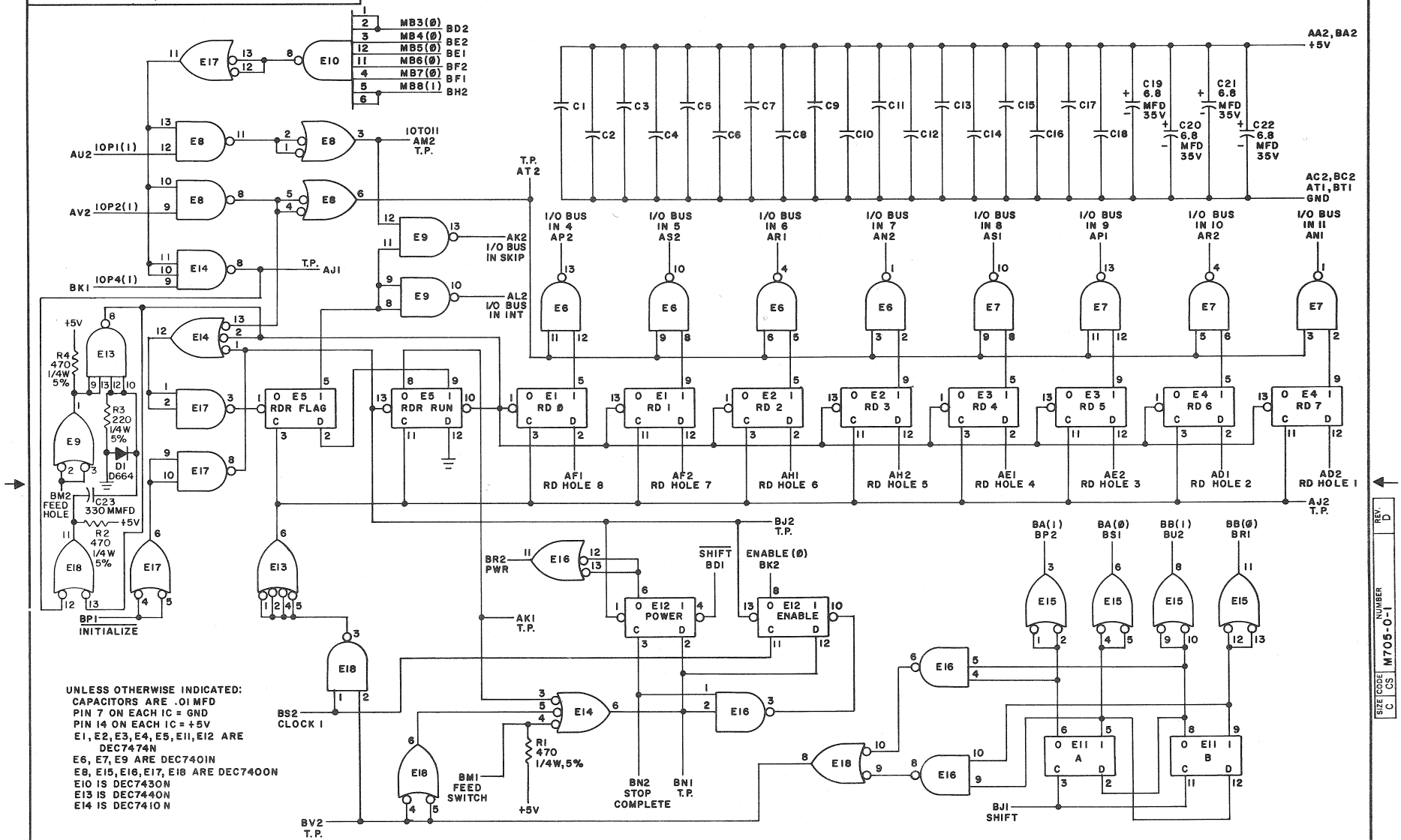
digital
 EQUIPMENT CORPORATION
 MAYNARD, MASSACHUSETTS

TITLE POWER FAIL M703			
SIZE B	CODE CS	NUMBER M703-0-1	REV. F
PRINTED CIRCUIT REV.			

DEC FORM NO. DRB 102

DIST 324 434 435 PINK

THIS SCHEMATIC IS FURNISHED ONLY FOR TEST AND MAINTENANCE PURPOSES. THE CIRCUITS ARE PROPRIETARY IN NATURE AND SHOULD BE TREATED ACCORDINGLY. COPYRIGHT 1967 BY DIGITAL EQUIPMENT CORPORATION



UNLESS OTHERWISE INDICATED:
 CAPACITORS ARE .01 MFD
 PIN 7 ON EACH IC = GND
 PIN 14 ON EACH IC = +5V
 E1, E2, E3, E4, E5, E11, E12 ARE
 DEC7474N
 E6, E7, E9 ARE DEC7401N
 E8, E15, E16, E17, E18 ARE DEC7400N
 E10 IS DEC7430N
 E13 IS DEC7440N
 E14 IS DEC7410N

REVISIONS	CHK	CHG	NO	REV
1			7017	B
2			7000	C
3			0000	D

DRN. <i>M. Waller</i>	DATE 10-6-67
CHK'D	DATE
DATE	DATE
PROD.	DATE

TRANSISTOR & DIODE CONVERSION CHART

DEC	EIA	DEC	EIA
D664	1N645		

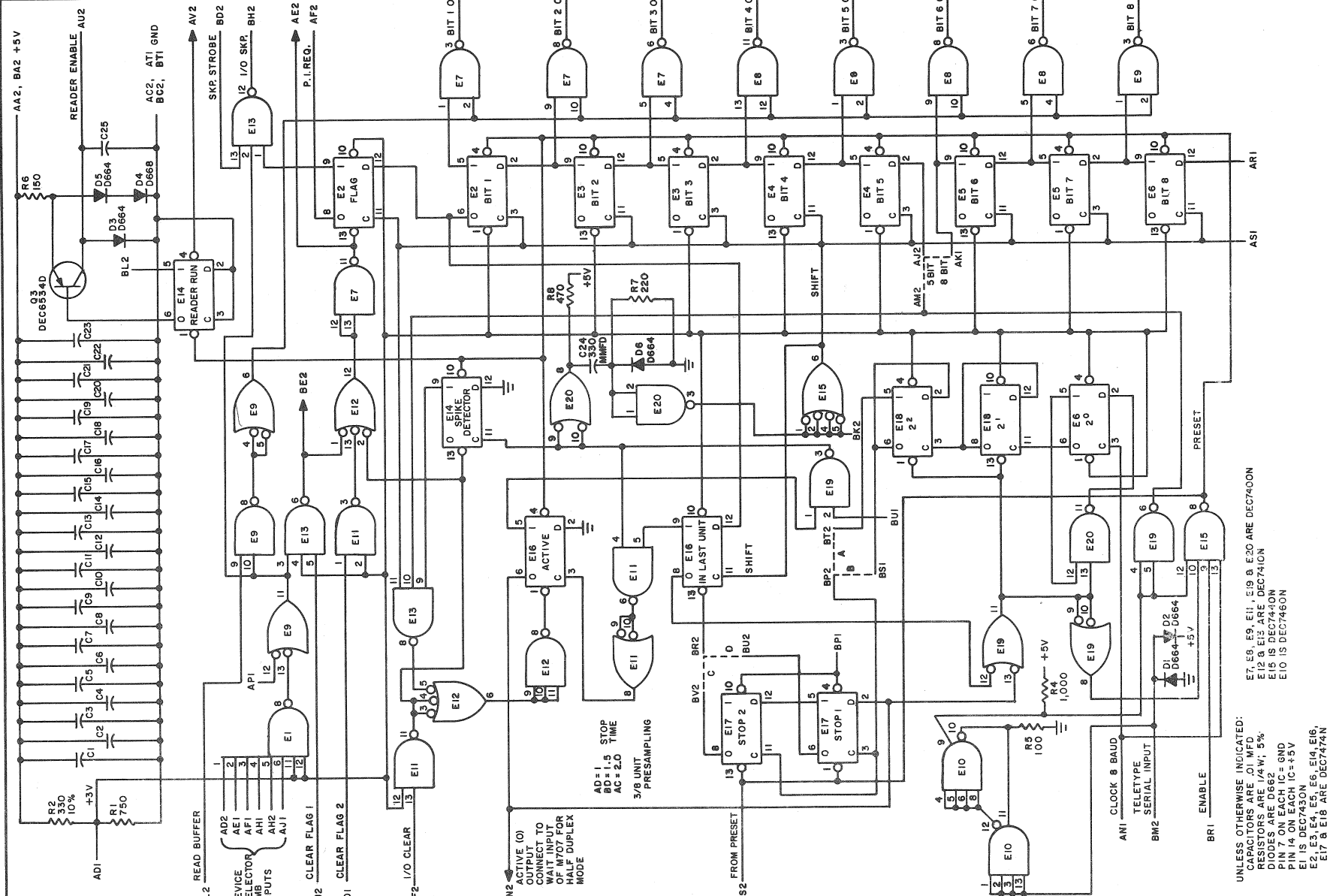
digital
 EQUIPMENT
 CORPORATION
 MAYNARD, MASSACHUSETTS

TITLE
 READER CONTROL M705

SIZE CODE NUMBER REV
 C CS M705-0-1 D

REV. D
 NUMBER
 CS M705-0-1

THIS SCHEMATIC IS FURNISHED ONLY FOR TEST AND MAINTENANCE PURPOSES. THE CIRCUITS ARE PROPRIETARY IN NATURE AND SHOULD BE TREATED ACCORDINGLY. COPYRIGHT 1967 BY DIGITAL EQUIPMENT CORPORATION



UNLESS OTHERWISE INDICATED:
 CAPACITORS ARE .01 MFD.
 RESISTORS ARE 1/4W, 5%
 UNLESS OTHERWISE INDICATED
 PIN 7 ON EACH IC = GND
 PIN 14 ON EACH IC = +5V
 E1 IS DEC7430N
 E2, E3, E4, E5, E6, E14, E16,
 E17 & E18 ARE DEC7474N
 E7, E8, E9, E11, E19 & E20 ARE DEC7400N
 E12, E13, E14, E15, E16, E17 & E18 ARE DEC7460N
 E10 IS DEC7460N

REV.	CHG. NO.	REV.
1	6368	A
2	6578	B

DRN.	DATE	CHKD.	DATE
Mr. Kallen	9-30-67		
Mr. Pomeroy	10/17		
Mr. Redetto	6-2-67		

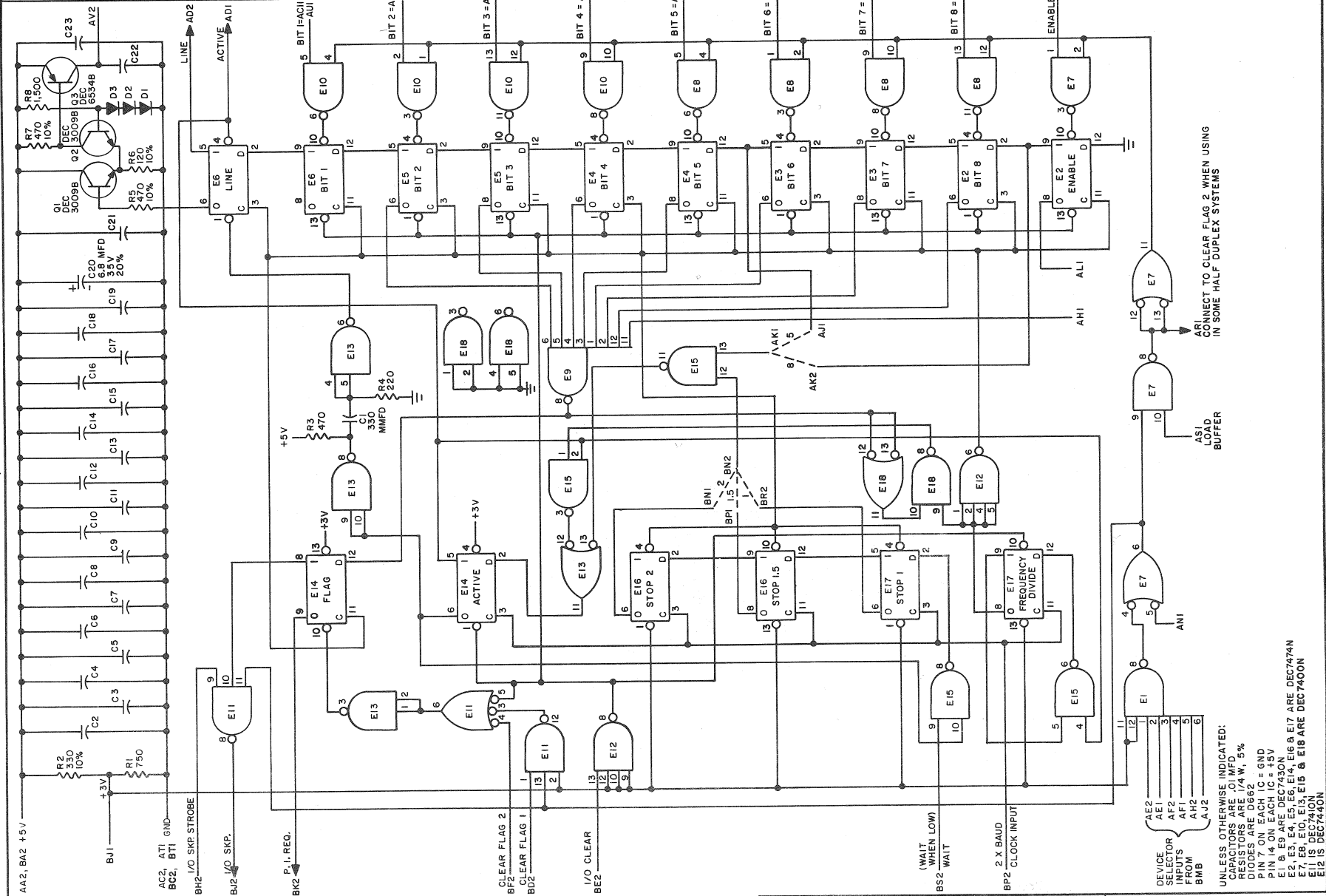
TRANSISTOR & DIODE CONVERSION CHART			
DEC	EIA	DEC	EIA
DEC3009B	2N3009		
DEC6534B	MPS6534		
D682	1N645		
D664	1N3606		

digital
 EQUIPMENT CORPORATION
 MAYNARD, MASSACHUSETTS

TITLE
TELETYPE RECEIVER M706
 SIZE CODE NUMBER
 C CS M706-0-1
 PRINTED CIRCUIT REV. **D**

DEC FORM NO. DRC 102

THIS SCHEMATIC IS FURNISHED ONLY FOR TEST AND MAINTENANCE PURPOSES. THE CIRCUITS ARE PROPRIETARY IN NATURE AND SHOULD BE TREATED ACCORDINGLY. COPYRIGHT 1967 BY DIGITAL EQUIPMENT CORPORATION



REV.	CHG.	NO.	REV.
1	5357	1	A
2	5379	1	B

DRN.	DATE	DATE	DATE
<i>M. Waller</i>	5-29-67		
CHKD.	DATE	DATE	DATE
<i>Robert</i>	5/29/67		
ENG.	DATE	DATE	DATE
<i>W. Roberts</i>	5-23-67		
PROD.	DATE	DATE	DATE

TRANSISTOR & DIODE CONVERSION CHART			
DEC	EIA	DEC	EIA
D662	1N645		
DEC3009B	2N3009		
DEC6534B	MPS6534		

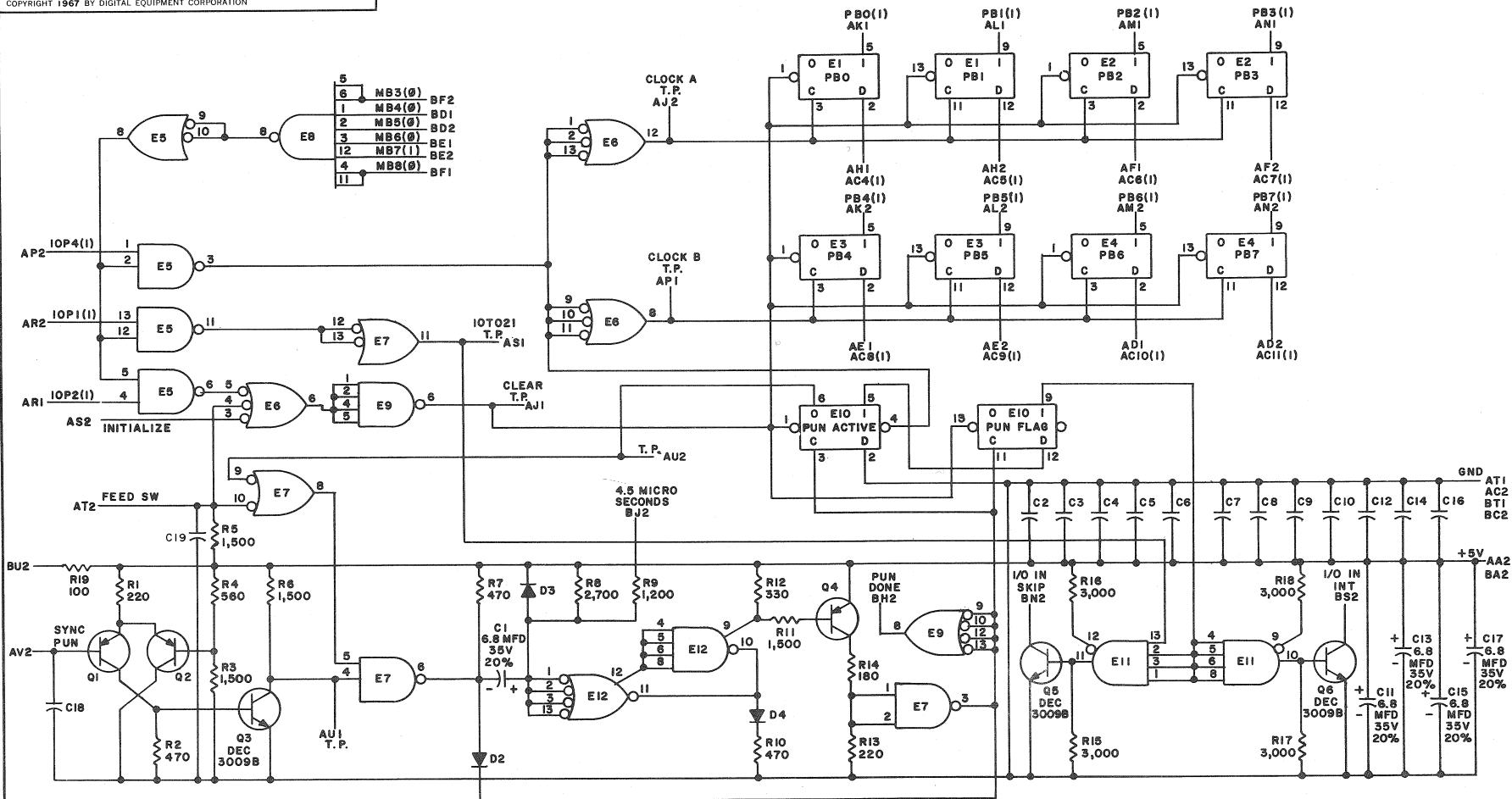
digital
EQUIPMENT CORPORATION
MAYNARD, MASSACHUSETTS

TITLE		TELETYPE TRANSMITTER M707	
SIZE	CODE	NUMBER	REV.
C	CS	M707-0-1	B
PRINTED CIRCUIT REV.			C

UNLESS OTHERWISE INDICATED:
CAPACITORS ARE .01 MFD.
RESISTORS ARE 1/4 W, 5%
DIODES ARE D662
PIN 7 ON EACH IC = GND
PIN 14 ON EACH IC = +3V
E1, E2, E3, E4, E5, E6, E14, E16 & E17 ARE DEC7474N
E7, E8, E10, E13, E15 & E18 ARE DEC7400N
E11 IS DEC7400N
E12 IS DEC7440N

SIZE CODE	NUMBER
C CS	M707-0-1
REV.	B

THIS SCHEMATIC IS FURNISHED ONLY FOR TEST AND MAINTENANCE PURPOSES. THE CIRCUITS ARE PROPRIETARY IN NATURE AND SHOULD BE TREATED ACCORDINGLY. COPYRIGHT 1967 BY DIGITAL EQUIPMENT CORPORATION



UNLESS OTHERWISE INDICATED:
 RESISTORS ARE 1/4W, 5%
 TRANSISTORS ARE DEC6534B
 CAPACITORS ARE .01 MFD
 PIN 7 ON EACH IC = GND
 PIN 14 ON EACH IC = +5V
 E1, E2, E3, E4, E10 ARE DEC7474N
 E5, E7 ARE DEC7400N
 E6 IS DEC7410N
 E8 IS DEC7430N
 E9 IS DEC7440N
 E11, E12 ARE DEC7460N
 DIODES ARE D664

PARTS LIST A-PL-M710-0-0

REV. NO.	CHG. NO.	REV.	C
1	6924		C

DEC FORM NO. DRC 102

DRN.	DATE	TRANSISTOR & DIODE CONVERSION CHART	
M. Waller	9-27-67	DEC	EIA
CHK'D	DATE	DEC3009B	2N3009
R. Johnson	9/29/67	DEC6534B	MPS6534
PROJ.	DATE	D664	IN3606
2			

DEC	EIA	DEC	EIA

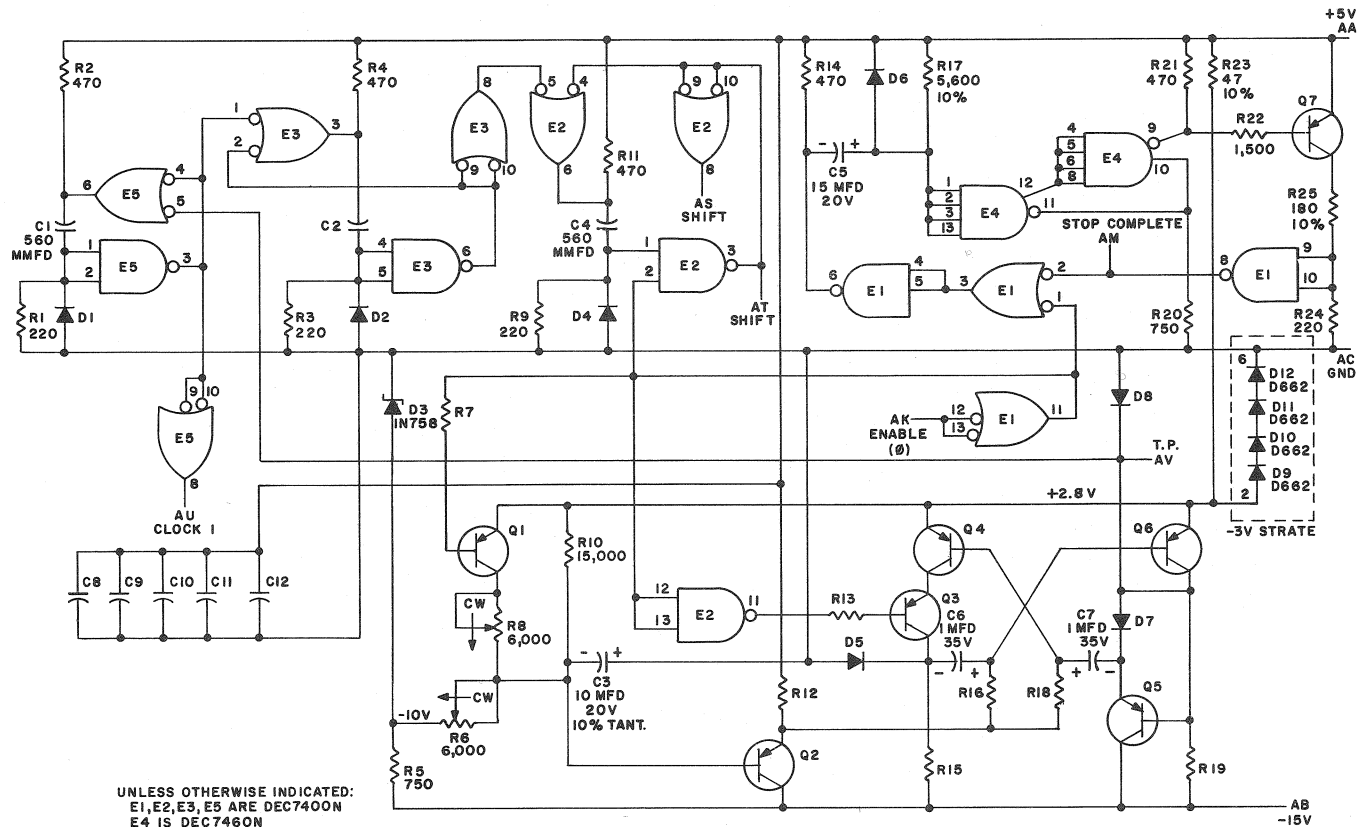
digital
 EQUIPMENT CORPORATION
 MAYNARD, MASSACHUSETTS

TITLE			
PUNCH CONTROL M710			
SIZE	CODE	NUMBER	REV.
C	CS	M710-0-1	C
PRINTED CIRCUIT REV. C			

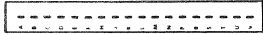
REV. C
 NUMBER
 M710-0-1
 CS

DIST 324 434 435 PINK

THIS SCHEMATIC IS FURNISHED ONLY FOR TEST AND MAINTENANCE PURPOSES. THE CIRCUITS ARE PROPRIETARY IN NATURE AND SHOULD BE TREATED ACCORDINGLY. COPYRIGHT 1967 BY DIGITAL EQUIPMENT CORPORATION



UNLESS OTHERWISE INDICATED:
 E1, E2, E3, E5 ARE DEC7400N
 E4 IS DEC7460N
 PIN 7 ON EACH IC = GND
 PIN 14 ON EACH IC = +5V
 RESISTORS ARE 1/4W, 5%
 RESISTORS ARE 3,000
 CAPACITORS ARE .01MFD
 TRANSISTORS ARE DEC6534B
 DIODES ARE D664
 R6 & R8 ARE 13-05778-4



REVISIONS
 CHK (C/S) NO. REV.

DRN: *M. J. Miller*
 DATE: 10-16-67
 CTR: *C. J. Sullivan*
 DATE: 11/2/67
 PRD: *S. J. Sage*
 DATE: 1/12/67

TRANSISTOR & DIODE CONVERSION CHART			
DEC		EIA	
DEC6534B	MPS6534	IN645	IN758
D662	IN3606	SAME	SAME
D664	IN3606	SAME	SAME
IN758	SAME	SAME	SAME

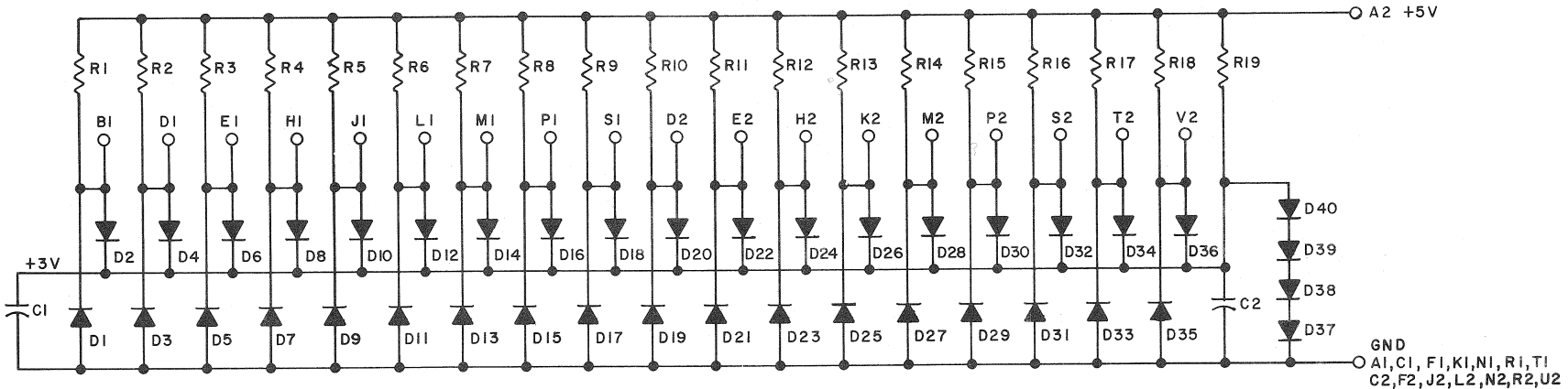
digital		TITLE	
EQUIPMENT CORPORATION		READER CLOCK M715	
SIZE	CODE	NUMBER	REV.
C	CS	M715-0-1	A
PRINTED CIRCUIT REV.			A

DEC FORM NO. DRC 102

SIZE CODE NUMBER REV. A
 C CS M715-0-1

REV.	NUMBER	CS	B
	1-0-906M		

THIS SCHEMATIC IS FURNISHED ONLY FOR TEST AND MAINTENANCE PURPOSES. THE CIRCUITS ARE PROPRIETARY IN NATURE AND SHOULD BE TREATED ACCORDINGLY. COPYRIGHT 1968 BY DIGITAL EQUIPMENT CORPORATION



R1-R19	RES. 220 1/4W 5% CC	1300271
D37-D40	DIODE D662	1100113
D1-D36	DIODE D664	1100114
C1, C2	CAP. .01MFD 100V 20% DISC	1001610
	PARTS LIST	A-PL-M906-0-0
REFERENCE DESIGNATION	DESCRIPTION	PART NO.

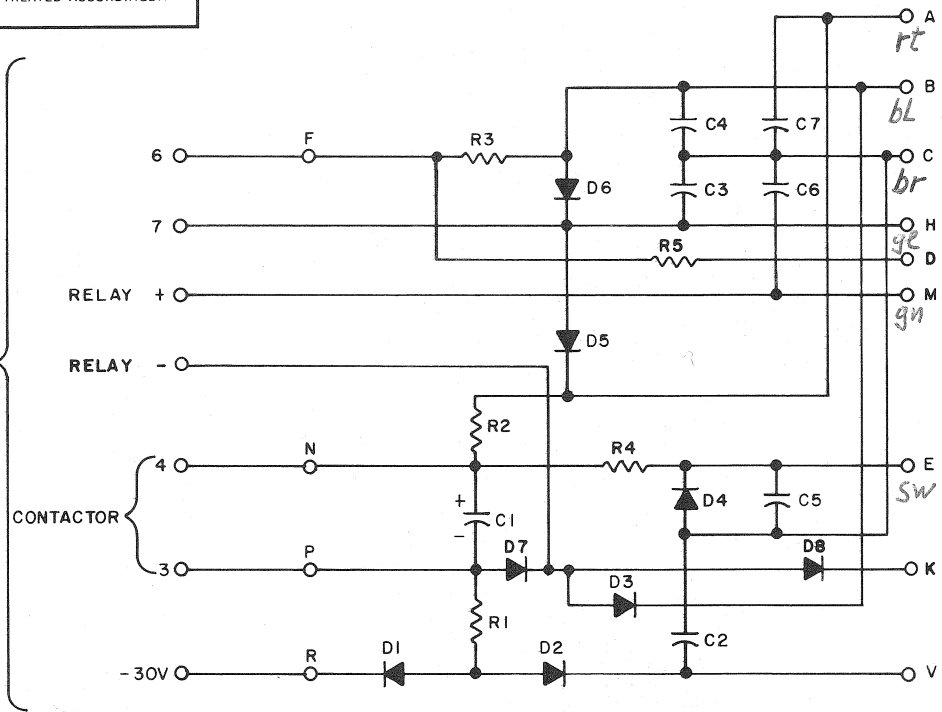
 <----->

REVISIONS CHK CHG NO. REV.	DRN. <i>M. Keller</i>	DATE 8-2-68	TRANSISTOR & DIODE CONVERSION CHART				 digital EQUIPMENT CORPORATION MAYNARD, MASSACHUSETTS	TITLE CABLE TERMINATOR M906			
	CHK'D <i>[Signature]</i>	DATE 8-2-68	DEC	EIA	DEC	EIA		SIZE B	CODE CS	NUMBER M906-0-1	REV.
	ENG. <i>[Signature]</i>	DATE 10/16/68	D662	IN645			PRINTED CIRCUIT REV. A				
	PROD.	DATE	D664	IN3606							

DIS7 324 434 435 PINK

THIS SCHEMATIC IS FURNISHED ONLY FOR TEST AND MAINTENANCE PURPOSES. THE CIRCUITS ARE PROPRIETARY IN NATURE AND SHOULD BE TREATED ACCORDINGLY. COPYRIGHT 1967 BY DIGITAL EQUIPMENT CORPORATION

REV B
 NUMBER W076-0-1
 CS B
 SIZE B



DRIVE CURRENT (TRANSISTOR)	SINK CURRENT (INTEGRATED CIRCUIT)
+5V	+5V
-15V	+5V
GROUND	
LOGIC INPUT (0,-15V)	N.C.
N.C.	LOGIC INPUT (0,+5V)
READER ENABLE	
+5 & GND LEVELS	OUT TO LOGIC
N.C.	-15V
OPTIONAL	

R3	RES. 820 1/2W 10% CC	1300356
R4	RES. 750 1/2W 5% CC	1300354
R2	RES. 750 2W 5% CC	1301984
R1	RES. 1K 1W 10% CC	1301499
R5	RES. 120 1/2W 5% CC	1300243
D1-D8	DIODE D671	1103309
C2-C7	CAP. .01MFD 100V 20% DISC	1001610
C1	CAP. 1MFD 150V 10% FOIL	1000063
PARTS LIST		A-PL-W076-0-0
REFERENCE DESIGNATION	DESCRIPTION	PART NO.
PARTS LIST		

REVISIONS	CHK	CHG NO.	REV.
	B	7010	A
	W/M	00001	B
		00002	

DRN. M. HALLER	DATE 5-18-67
CHK'D N. PERRYMAN	DATE 5-23-67
ENG. R. SOGGE	DATE 5-25-67
PROD.	DATE

TRANSISTOR & DIODE CONVERSION CHART			
DEC		EIA	
D671		IN3653	

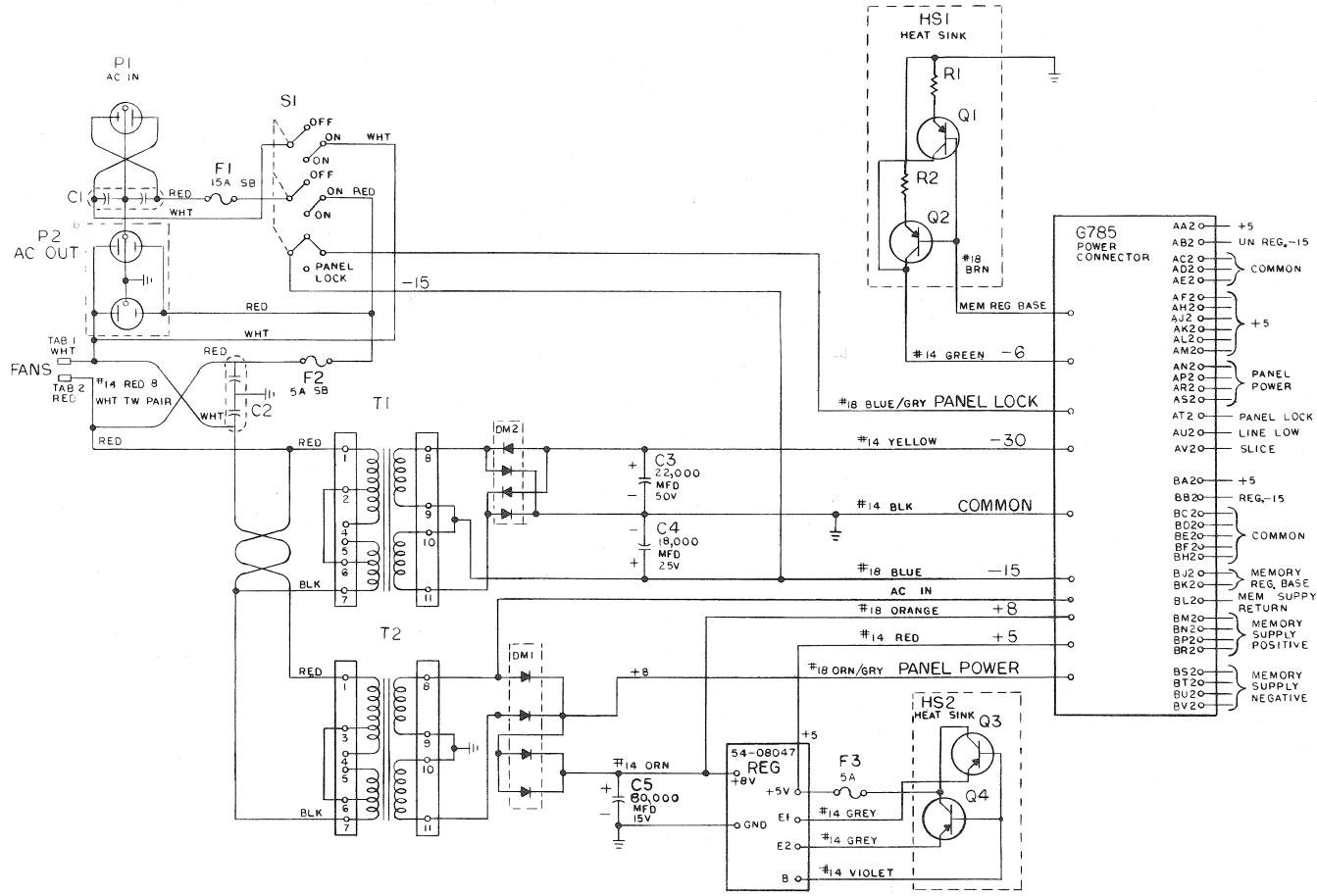
digital
 EQUIPMENT CORPORATION
 MAYNARD, MASSACHUSETTS

TITLE			
TELETYPE CONNECTOR W076			
SIZE B	CODE CS	NUMBER W076-0-1	REV. B
PRINTED CIRCUIT REV.			C

DEC FORM NO. DRB 102

PINK DIST. 324 434 435

THIS SCHEMATIC IS FURNISHED ONLY FOR TEST AND MAINTENANCE PURPOSES. THE CIRCUITS ARE PROPRIETARY IN NATURE AND SHOULD BE TREATED ACCORDINGLY. COPYRIGHT © 68 BY DIGITAL EQUIPMENT CORPORATION



QTY	DESCRIPTION	PART NO.	REV.
1	JUNCTION TERM BUSHING RED	90-07231	TAB 2
1	JUNCTION TERM BUSHING WHITE	90-07235	TAB 1
2	HEAT SINK WAREFIELD NC-603AA	12-091001	HS1
2	TRANSISTOR 2N4399	15-05870	Q3,4
2	CAP BRACKET	12-01406	C3,4
2	RESISTOR 1/4W 5% 150-428	13-05428	R1,2
2	TRANSISTOR 2N3790	15-03399	Q1,2
1	CAP BRACKET SPRAGUE CMC 32	12-09242	Q3
3	FUSEHOLDER BUSS	12-04707	F1,2,3
1	FUSE 5A 50 SAG	90-07224	F1
1	FUSE 5A 3AG	90-07227	F2
1	FUSE 1/2A 50 SAG	54-08047	REG
1	+5V REGULATOR	67-85	REG
1	POWER CONNECTOR	67-85	REG
1	POWER RECEPTICLE FEMALE DBL	12-5351	P1
1	POWER RECEPTICLE MALE	12-5352	P2
1	KEY SWITCH	12-09236	S1
2	TRANSFORMER STANCOR RT-204	12-0215	T1,2
2	CAPACITOR BATHTUB 2 X 1MFD50VDC	10-02153	C1,2
1	CAPACITOR 2200MFD 50VDC	10-09189	C3
1	CAPACITOR 1800MFD 25VDC	10-09188	C4
1	CAPACITOR 8000MFD 15VDC	10-09190	C5
1	DM1 RECTIFIER	11-0539	DM2
1	DM1 RECTIFIER	11-02955	DM1

REV.	DATE	BY	CHKD.	APP'D.	DESCRIPTION
1	11-22-68	W. J.

REV.	DATE	BY	CHKD.	APP'D.	DESCRIPTION
1	11-22-68	W. J.

REV.	DATE	BY	CHKD.	APP'D.	DESCRIPTION
1	11-22-68	W. J.

digital

**REPLACEMENT
SCHEMATICS**

PDP-8/L