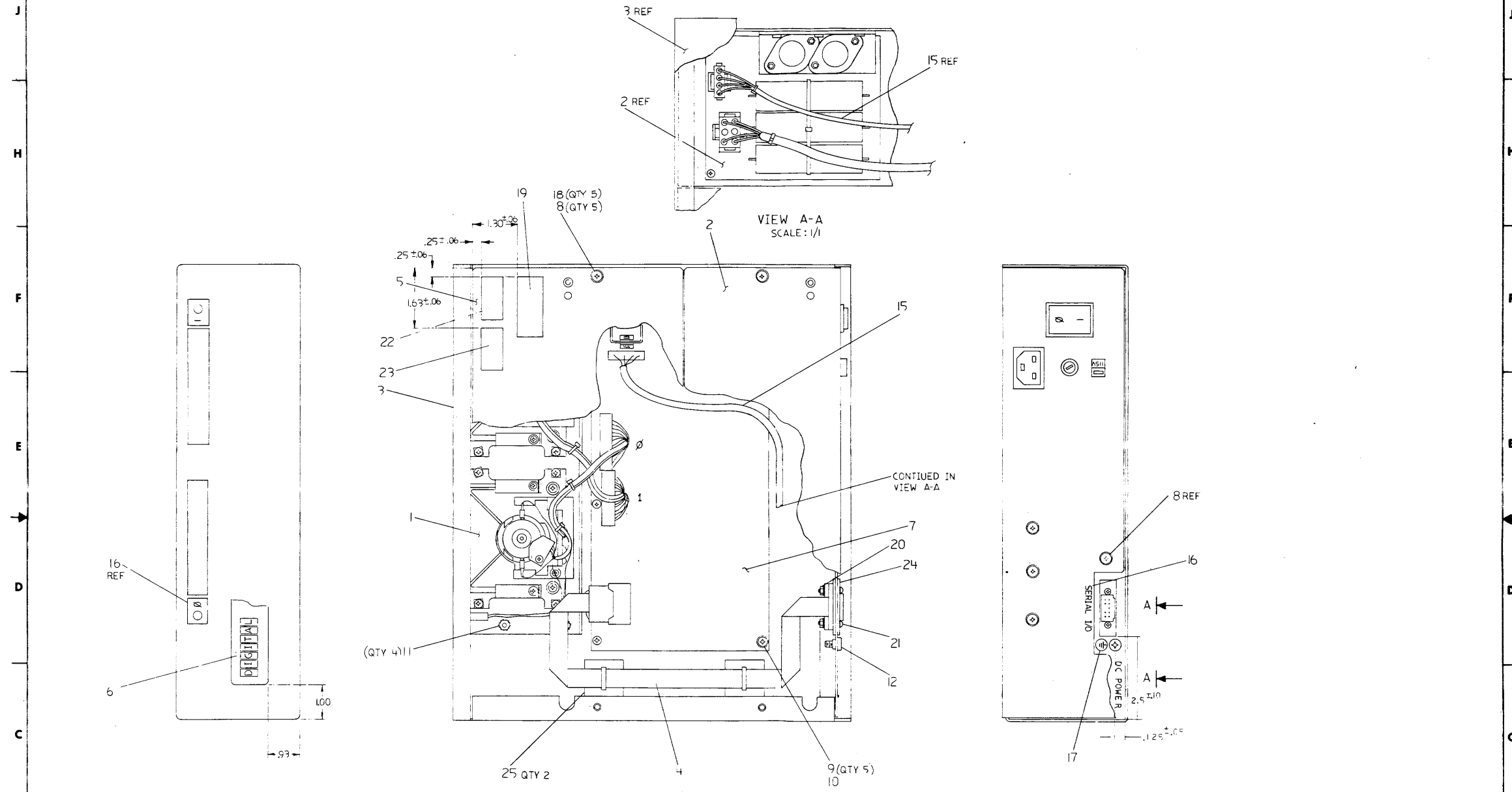


THIS DRAWING AND INFORMATION HEREON ARE THE PROPERTY OF BELL TELEPHONE CORPORATION AND SHALL NOT BE REPRODUCED OR TRANSMITTED IN ANY FORM OR BY ANY MEANS, ELECTRONIC OR MECHANICAL, INCLUDING PHOTOCOPYING, RECORDING, OR BY ANY INFORMATION STORAGE AND RETRIEVAL SYSTEM, WITHOUT PERMISSION IN WRITING FROM BELL TELEPHONE CORPORATION.



INITIALIZE A
 DATE: 10/1/68
 D. ALBANI
 P. J. B. 1/1

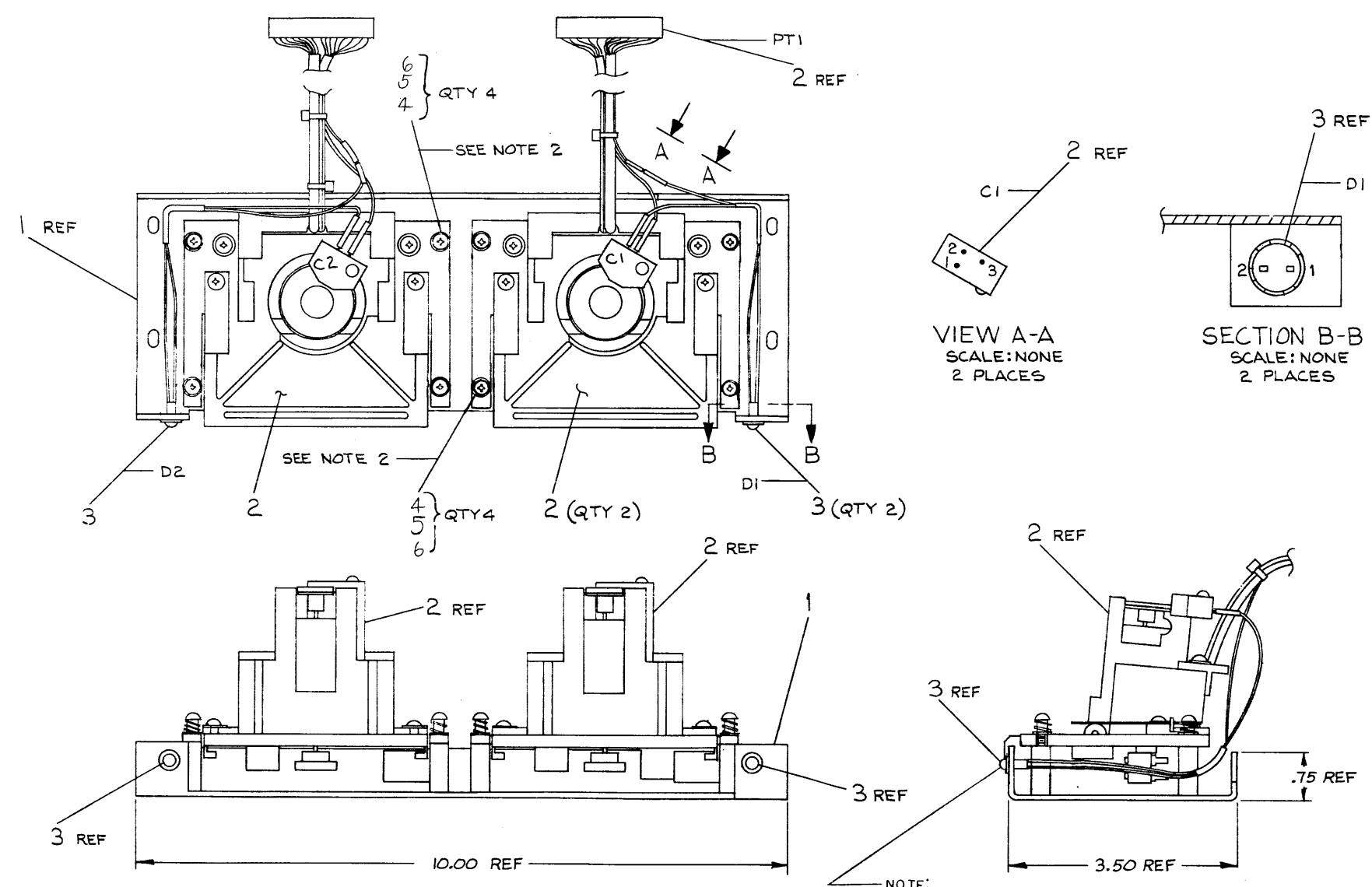
CAUTION: OFF SHEET PARTS LIST REFER TO K-PL-TU58-E-0-DBP

DESCRIPTION		QTY	UNIT	ITEM NO.
UNLESS OTHERWISE SPECIFIED DIMENSIONS ARE IN INCHES				
APPROX	CLASS OF ACCURACY	TYPICAL DIMENSION RANGES		
AS SHOWN	AS SHOWN	1/16	1/8	1/4
1/16	1/8	1/4	3/8	1/2
3/8	1/2	3/4	1	1 1/4
1	1 1/4	2	3	4
6	12	24	48	96
120	240	480	960	1920
3600	7200	28800	57600	115200
360	720	2880	5760	11520
36	72	288	576	1152
3.6	7.2	28.8	57.6	115.2
0.36	0.72	2.88	5.76	11.52
0.036	0.072	0.288	0.576	1.152
0.0036	0.0072	0.0288	0.0576	0.1152
0.00036	0.00072	0.00288	0.00576	0.01152
0.000036	0.000072	0.000288	0.000576	0.001152
0.0000036	0.0000072	0.0000288	0.0000576	0.0001152
0.00000036	0.00000072	0.00000288	0.00000576	0.00001152
0.000000036	0.000000072	0.000000288	0.000000576	0.000001152
0.0000000036	0.0000000072	0.0000000288	0.0000000576	0.0000001152
0.00000000036	0.00000000072	0.00000000288	0.00000000576	0.00000001152
0.000000000036	0.000000000072	0.000000000288	0.000000000576	0.000000001152
0.0000000000036	0.0000000000072	0.0000000000288	0.0000000000576	0.0000000001152
0.00000000000036	0.00000000000072	0.00000000000288	0.00000000000576	0.00000000001152
0.000000000000036	0.000000000000072	0.000000000000288	0.000000000000576	0.000000000001152
0.0000000000000036	0.0000000000000072	0.0000000000000288	0.0000000000000576	0.0000000000001152
0.00000000000000036	0.00000000000000072	0.00000000000000288	0.00000000000000576	0.00000000000001152
0.000000000000000036	0.000000000000000072	0.000000000000000288	0.000000000000000576	0.000000000000001152
0.0000000000000000036	0.0000000000000000072	0.0000000000000000288	0.0000000000000000576	0.0000000000000001152
0.00000000000000000036	0.00000000000000000072	0.00000000000000000288	0.00000000000000000576	0.00000000000000001152
0.000000000000000000036	0.000000000000000000072	0.000000000000000000288	0.000000000000000000576	0.000000000000000001152
0.0000000000000000000036	0.0000000000000000000072	0.00000000000000000000288	0.00000000000000000000576	0.00000000000000000001152
0.00000000000000000000036	0.00000000000000000000072	0.000000000000000000000288	0.000000000000000000000576	0.000000000000000000001152
0.000000000000000000000036	0.000000000000000000000072	0.0000000000000000000000288	0.0000000000000000000000576	0.0000000000000000000001152
0.0000000000000000000000036	0.0000000000000000000000072	0.00000000000000000000000288	0.00000000000000000000000576	0.00000000000000000000001152
0.00000000000000000000000036	0.00000000000000000000000072	0.000000000000000000000000288	0.000000000000000000000000576	0.000000000000000000000001152
0.000000000000000000000000036	0.000000000000000000000000072	0.0000000000000000000000000288	0.0000000000000000000000000576	0.0000000000000000000000001152
0.0000000000000000000000000036	0.0000000000000000000000000072	0.00000000000000000000000000288	0.00000000000000000000000000576	0.00000000000000000000000001152
0.00000000000000000000000000036	0.00000000000000000000000000072	0.000000000000000000000000000288	0.000000000000000000000000000576	0.0000000000000000000000000001152
0.000000000000000000000000000036	0.000000000000000000000000000072	0.0000000000000000000000000000288	0.0000000000000000000000000000576	0.00000000000000000000000000001152
0.0000000000000000000000000000036	0.0000000000000000000000000000072	0.00000000000000000000000000000288	0.00000000000000000000000000000576	0.000000000000000000000000000001152
0.00000000000000000000000000000036	0.00000000000000000000000000000072	0.000000000000000000000000000000288	0.000000000000000000000000000000576	0.0000000000000000000000000000001152
0.000000000000000000000000000000036	0.000000000000000000000000000000072	0.0000000000000000000000000000000288	0.0000000000000000000000000000000576	0.00000000000000000000000000000001152
0.0000000000000000000000000000000036	0.0000000000000000000000000000000072	0.00000000000000000000000000000000288	0.00000000000000000000000000000000576	0.000000000000000000000000000000001152
0.00000000000000000000000000000000036	0.00000000000000000000000000000000072	0.000000000000000000000000000000000288	0.000000000000000000000000000000000576	0.0000000000000000000000000000000001152
0.000000000000000000000000000000000036	0.000000000000000000000000000000000072	0.0000000000000000000000000000000000288	0.0000000000000000000000000000000000576	0.00000000000000000000000000000000001152
0.0000000000000000000000000000000000036	0.0000000000000000000000000000000000072	0.00000000000000000000000000000000000288	0.00000000000000000000000000000000000576	0.000000000000000000000000000000000001152
0.00000000000000000000000000000000000036	0.00000000000000000000000000000000000072	0.000000000000000000000000000000000000288	0.000000000000000000000000000000000000576	0.0000000000000000000000000000000000001152
0.000000000000000000000000000000000000036	0.000000000000000000000000000000000000072	0.0000000000000000000000000000000000000288	0.0000000000000000000000000000000000000576	0.00000000000000000000000000000000000001152
0.0000000000000000000000000000000000000036	0.0000000000000000000000000000000000000072	0.00000000000000000000000000000000000000288	0.00000000000000000000000000000000000000576	0.000000000000000000000000000000000000001152
0.00000000000000000000000000000000000000036	0.00000000000000000000000000000000000000072	0.000000000000000000000000000000000000000288	0.000000000000000000000000000000000000000576	0.0000000000000000000000000000000000000001152
0.0036	0.0072	0.00288	0.00576	0.001152
0.00036	0.00072	0.000288	0.000576	0.0001152
0.0036	0.0072	0.00288	0.00576	0.001152
0.00036	0.00072	0.000288	0.000576	0.0001152
0.0036	0.0072	0.00288	0.00576	0.001152
0.00036	0.00072	0.000288	0.000576	0.0001152
0.0036	0.0072	0.00288	0.00576	0.001152
0.00036	0.00072	0.000288	0.000576	0.0001152
0.0036	0.0072	0.00288	0.00576	0.001152
0.00036	0.00072	0.000288	0.000576	0.0001152
0.0036	0.0072	0.00288	0.00576	0.001152
0.00036	0.00072	0.000288	0.000576	0.0001152
0.0036	0.0072	0.00288	0.00576	0.001152
0.00036	0.00072	0.000288	0.000576	0.0001152
0.0036	0.0072	0.00288	0.00576	0.001152
0.00036	0.00072	0.000288	0.000576	0.0001152
0.0036	0.0072			

"THIS DRAWING AND SPECIFICATIONS, HEREIN, ARE THE PROPERTY OF DIGITAL EQUIPMENT CORPORATION AND SHALL NOT BE REPRODUCED OR COPIED OR USED IN WHOLE OR IN PART AS THE BASIS FOR THE MANUFACTURE OR SALE OF ITEMS WITHOUT WRITTEN PERMISSION. COPYRIGHT © 1980, DIGITAL EQUIPMENT CORPORATION"

WIRE TABLE							
ITEM NO	DESCRIPTION	FROM		TO		REMARKS	
		AVG	COLOR	CONNECTION	WITH		CONNECTION
3	26	BRN	D1-1	---	C1-2	---	SEE NOTE #1
			D1-2	---	PT1-8(BLK WIRE)	---	
3	26	BRN	D2-1	---	C2-2	---	SEE NOTE #1
			D2-2	---	PT2-8(BLK WIRE)	---	

NOTES:
 1. DISCONNECT EXISTING BRN WIRE FROM C1-2 & C2-2
 2. TORQUE VALUES ON DRIVES TO BE 5 IN./LBS. ON ITEM #6



CAUTION: OFF SHEET PARTS LIST EXISTS K-PL-7017567-0-DBP

REVISIONS
 CHANGE NO. REV.
 INITIALIZE A

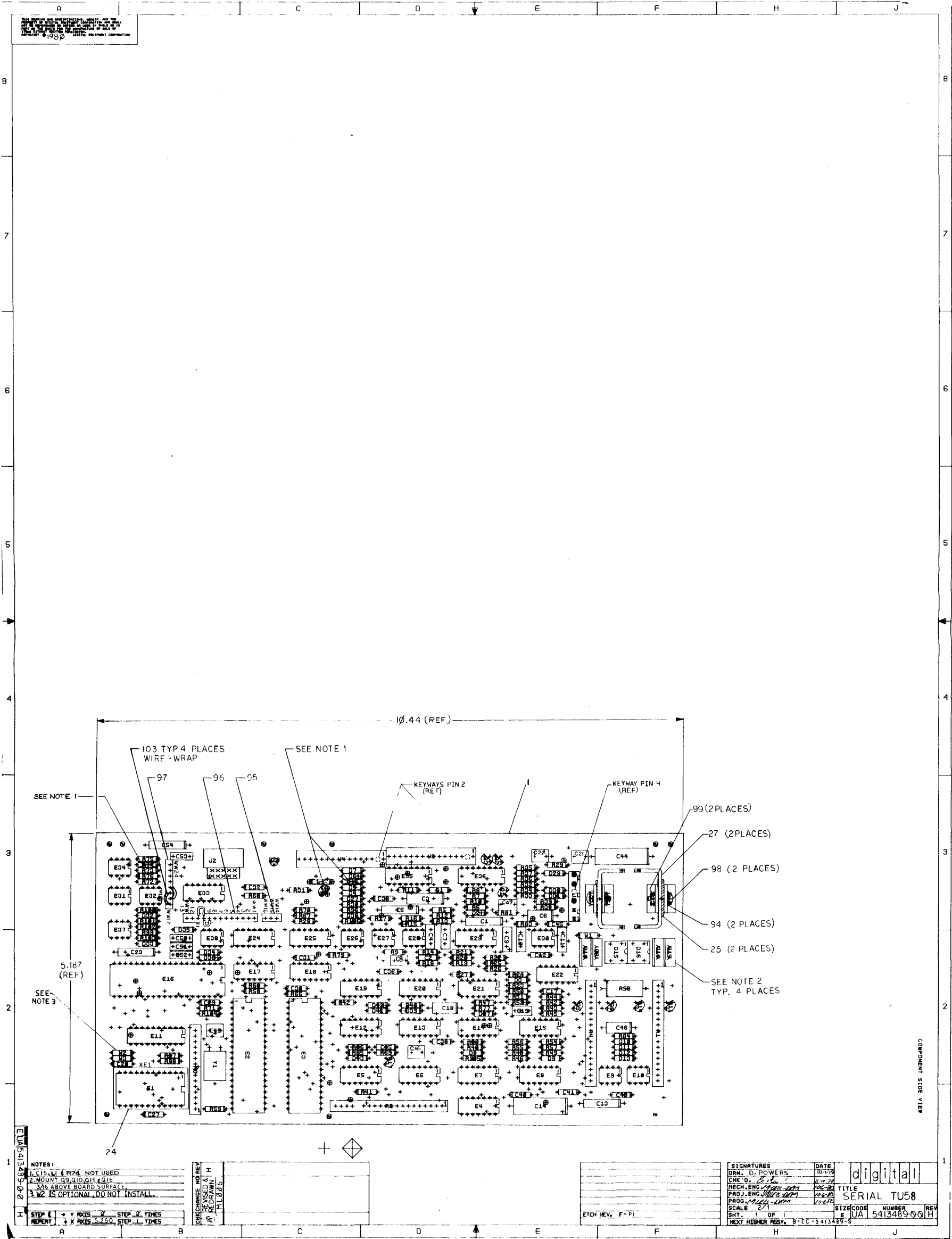
QUANTITY & VARIATION	DESCRIPTION	DWG./PART NO.	ITEM NO.			
				UNLESS OTHERWISE SPECIFIED DIMENSIONS ARE IN INCHES		
<input checked="" type="checkbox"/> ANGLES 30° 30' <input checked="" type="checkbox"/> SURFACE QUALITY IN <input checked="" type="checkbox"/> MICRONS	CLASS OF ACCURACY (CHECK ONE) MEDIAN <input checked="" type="checkbox"/> PREFERRED	NOMINAL DIMENSION RANGE INCHES OVER 0 TO 0.25 OVER 0.25 TO 0.5 OVER 0.5 TO 1.0 OVER 1.0 TO 2.0 OVER 2.0 TO 4.0 OVER 4.0 TO 12.0 OVER 12.0 TO 40.0 OVER 40.0 TO 80.0				
		±.004	±.008	±.012	±.016	±.024
<input checked="" type="checkbox"/> THIRD ANGLE PROJECTION <input type="checkbox"/> REMOVE BURRS AND BREAK SHARP CORNERS <input type="checkbox"/> DO NOT SCALE DWG MATERIAL SEE PARTS LIST FINISH NONE	DRN James Sigan (17 Nov 79) CHK'D [Signature] ENG. [Signature] PROJ. [Signature] PROD. [Signature]	FIRST USED ON TU58-VX	TITLE TAPE DRIVE ASSEMBLY	SIZE D AD	NUMBER 7017567-0-0	REV. A
SHEET 2 OF 1		DIST.				

LINE ITEM	DOCUMENT NUMBER	PART NUMBER	DESCRIPTION	QTY PER VARIATION	REFERENCE DESIGNATOR
1	1	D-IA-7423305-0-0	7423305-00	PLATE,TAPE DRIVE	1
2	2	D-AD-7015510-0-0	7015510-00	CARTRIDGE DRIVE	2
3	3	B-IA-7017543-0-0	7017543-00	L.E.D. ASSY.	2
4	4		7424101-00	WASHER	8
5	5		1217653-00	SPRING, COMPRESSION .234 OD X .3	8
6	6		7424084-00	SCREW, SHOULDER	8

REVISION HISTORY		BASIC PART NO: 7017567		DRN:	JAMES SICARD	DATE:	28-NOV-79	DIGITAL			
ENG!	ECO NUMBER	REV	SECTION A OF A	CHK'D:	GARY FLANDERS	DATE:	13-DEC-79	TITLE PARTS LIST			
---	INITIAL	A	SECTION, VARIATION INDEX	DES. ENG:	J. WALLS	DATE:	21-JAN-80	DOCUMENT NUMBER			
			[A] 00	RESP. ENG.:	J. WALLS	DATE:	07-JAN-80	SIZE	CODE	NUMBER	REV
			[B]	MFG. ENG.:	JOHN LABATE	DATE:	26-MAR-80	K	PL	7017567-0-DBP	A
			[C]	ASSEMBLY NUMBER:		TOP DOCUMENT NUMBER:		FILE NAME:		EDIT #	
			[D]	D-AD-7017567-0-0		E-UA-TU58-UX-0		Z1473A.PLS		2	
			[E]								
			[F]								
			[G]								
			[H]								
			[I]								
			[J]								
			[K]								
			[L]								
			[M]								
			[N]								

*THIS DRAWING AND SPECIFICATIONS HEREIN, ARE THE PROPERTY OF DIGITAL EQUIPMENT CORPORATION AND SHALL NOT BE REPRODUCED OR COPIED OR USED IN WHOLE OR IN PART AS THE BASIS FOR THE MANUFACTURE OR SALE OF ITEMS WITHOUT WRITTEN PERMISSION.

COPYRIGHT (C) 1980. DIGITAL EQUIPMENT CORPORATION *



1980

NOTES:

1. C15, W1 & R74 NOT USED
2. MOUNT 0.010 Q15 & Q19
3. W2 IS OPTIONAL, DO NOT INSTALL.

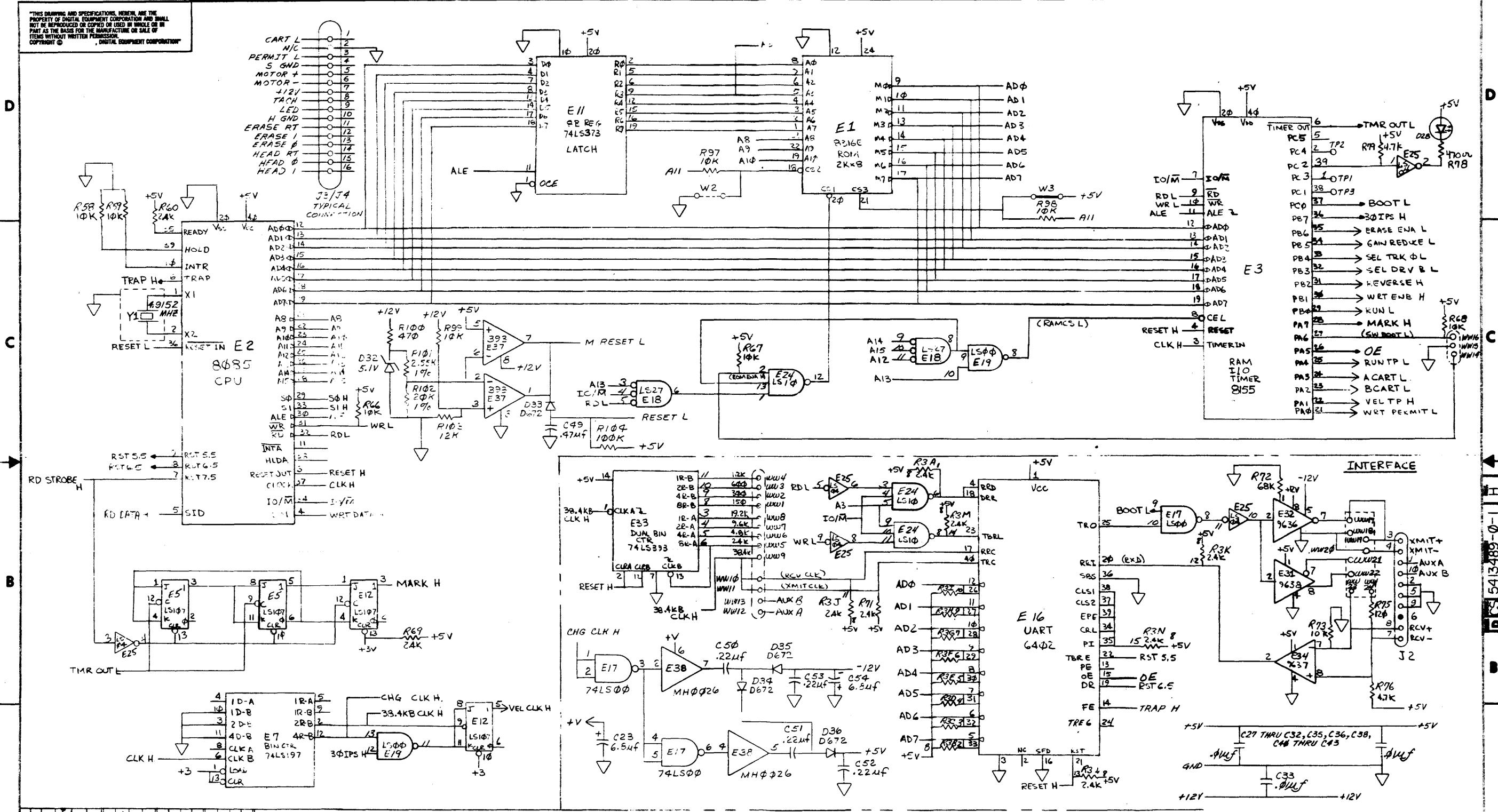
STEP	Y AXIS	STEP	Z TIMES
REPENT	X AXIS	5.250	STEP 1 TIMES

DESIGNED BY	REV
DATE	BY
APPROVED BY	DATE
DATE	BY

ETCH REV.	F-PI
-----------	------

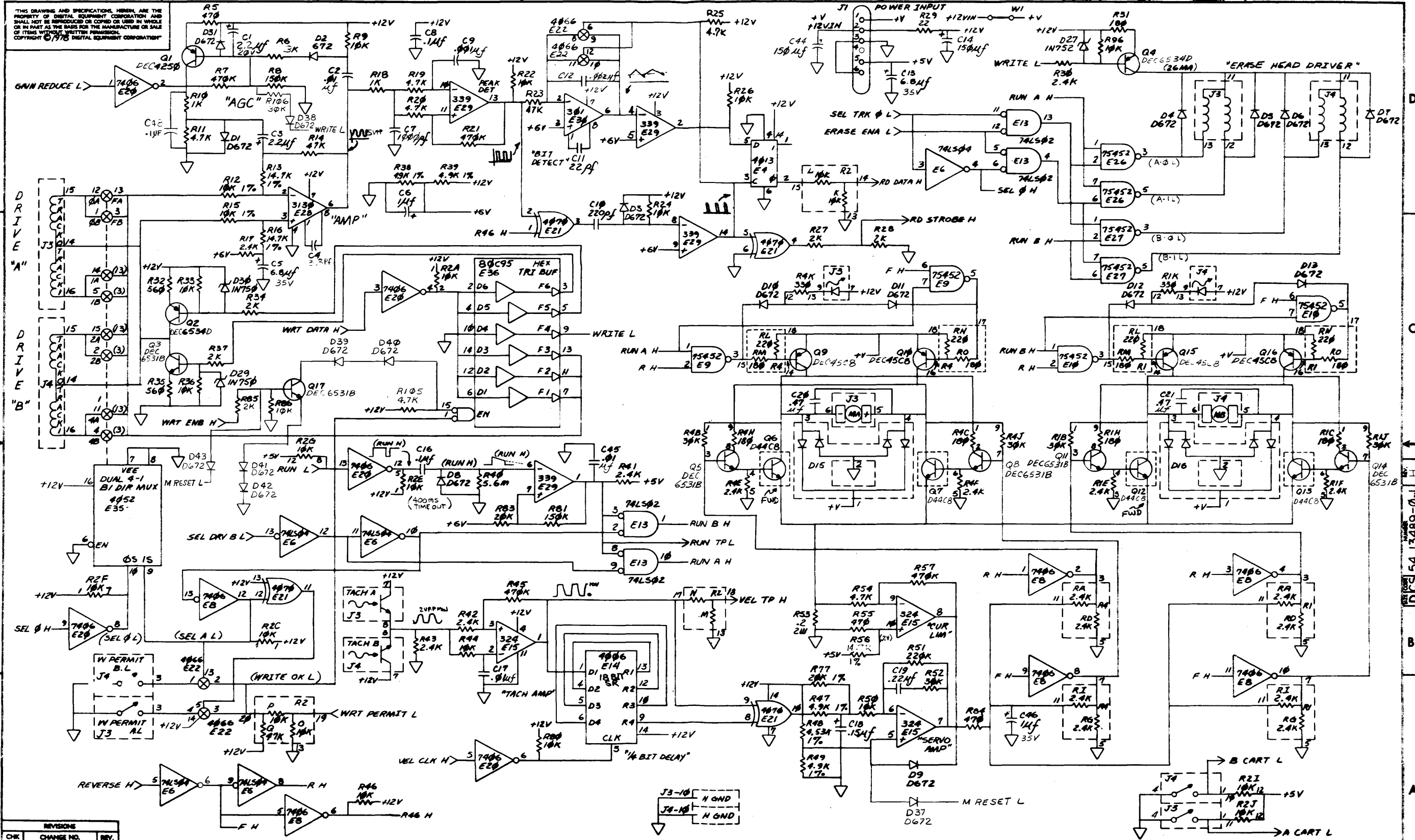
SIGNATURES	DATE	digital
DRN: D. POWERS	10-1-79	
CHK'D: [Signature]	10-1-79	
TECH. ENG. [Signature]	10-1-79	
PROJ. ENG. [Signature]	10-1-79	TITLE
PROD. [Signature]	10-1-79	SERIAL TU58
SCALE	1/1	SIZE
SHT. 1 OF 1		CODE
NEXT HIGHER REV. B-CC-5413489-0		NUMBER
		5413489-00
		REV
		H

"THIS DRAWING AND SPECIFICATIONS, HEREIN, ARE THE PROPERTY OF DIGITAL EQUIPMENT CORPORATION AND SHALL NOT BE REPRODUCED OR COPIED OR USED IN WHOLE OR IN PART AS THE BASIS FOR THE MANUFACTURE OR SALE OF ITEMS WITHOUT WRITTEN PERMISSION. COPYRIGHT © , DIGITAL EQUIPMENT CORPORATION"



REV.	CHANGE NO.	DATE	BY	CHK'D
1	5413489-0-1	11/17/78	M. LEIS	M. LEIS
2	5413489-0-1	11/17/78	M. LEIS	M. LEIS
3	5413489-0-1	11/17/78	M. LEIS	M. LEIS
4	5413489-0-1	11/17/78	M. LEIS	M. LEIS
5	5413489-0-1	11/17/78	M. LEIS	M. LEIS
6	5413489-0-1	11/17/78	M. LEIS	M. LEIS
7	5413489-0-1	11/17/78	M. LEIS	M. LEIS
8	5413489-0-1	11/17/78	M. LEIS	M. LEIS

DRN. M. LEIS	DATE	FIRST USED ON
CHK'D M. LEIS	11/17/78	TU58
ENG. ROSE LEIS	11/17/78	TU58 ELECTRONICS:
PROJ. ENG. M. LEIS	11/17/78	SERIAL
PROD. PLAN	11/17/78	
NEXT HIGHER ASSY.		
3-22-5413489-0	SIZE	CODE
SCALE	D	CS 5413489-0-1
SHEET 1	OF 2	DIST.



REV.	CHANGE NO.	DESCRIPTION

LINE ITEM	DOCUMENT NUMBER	PART NUMBER	DESCRIPTION	QTY PER VARIATION	REFERENCE DESIGNATOR
				00	
1	1	5013488-00	TU58 ELECTRONIC SERIAL	1	
2	2	1215816-00	HEADER.100 15POS STRAIGHT	2	J3,J4
3	3	1000021-00	220.0 MMF 100V 5%200PPM MICA	1	C10
4	4	1000023-00	*** THIS ITEM IS NOT USED ***	-	
5	5	1010978-36	.1 MFD 50V 10% CER	3	C8,C16,C47
6	6	1000042-00	1000.0 MMF 100V 5%200PPM MICA	2	C9,C7
7	7	1001610-00	.01 MFD 50V +80-20% 25U CER	17	C2,C17,C27-C33,C35,C36,C38,C40, CONT C41,C42,C43,C45
8	8	1001776-00	1 MFD 35V 10% S.TANT	2	C6,C46
9	9	1002315-00	2000.0 MMF 500V 5%200PPM MICA	1	C12
10	10	1013466-21	3.3 MMF 50V+- .5PF CER	1	C4
11	11	1002431-00	2.2MFD 35V 10% S.TANT	2	C1,C3
12	12	1005306-00	6.8MFD 35V 10% S.TANT	4	C5,C13,C23,C54
13	13	1005334-00	*** THIS ITEM IS NOT USED ***	-	
14	14	1005820-00	22.0 MMF 100V 5%200PPM MICA	1	C11
15	15	1010978-40	.22 MFD 50V 10% CER	1	C19
16	16	1011895-00	.15 MFD 35V 10% S.TANT	1	C18
17	17	1012312-00	*** THIS ITEM IS NOT USED ***	-	
18	18	1100101-00	*** THIS ITEM IS NOT USED ***	-	
19	19	1102808-00	1N 752A VZ= 5.6 5% .40W	1	D27
20	20	1105275-00	D 672 TR= 15NS PIV= 60V SI	25	D1-D13,D31,D33-D43
21	21	1110324-00	LED 1MCD@10MA PIV=3	1	D28
22	22	1115369-00	VM 18 PIV=100 I=1A	2	D15,D16
23	23	1213506-04	HEADER 10POS RT ANGLE W/3 SI	1	J2
24	24	1212385-04	SOCKET 24PIN IC	1	XE1
25	25	USED FOR Q7 & Q12	1213071-06 INSULATOR,RUBBER SILICONE	2	
26	26	1213113-01	*** THIS ITEM IS NOT USED ***	-	
27	27	1213418-01	HEAT SINK,VERTICLE MNT,ALUMINUM	2	
28	28	1300247-00	120.0 .25 W 5.0 % CC	1	R75
29	29	1300274-00	*** THIS ITEM IS NOT USED ***	-	

REVISION HISTORY		BASIC PART NO: 5413489		DRN:	DAN MUTNANSKY	DATE:	22-MAY-78	D I G I T A L		
ENG!	ECO NUMBER	REV	SECTION A OF A	CHK'D:	P. ROSSMAN	DATE:	6-JUNE-78	TITLE	PARTS LIST	
---	INIT	IC	SECTION,VARIATION INDEX	CHK'D:	P. ROSSMAN	DATE:	6-JUNE-78	SERIAL TU58		
PB	5413489-ML001	ID	[A] 00							
M.L	5413489-ML003	IE	[B]							
ML	5413489-ML004	IF	[C]	DES.ENG:	MIKE LEIS	DATE:	22-MAY-78			
D.M	5413489-ML006	IH	[D]							
			[E]					DOCUMENT NUMBER		
			[F]	RESP.ENG.:	M. LEIS	DATE:	6-JUNE-78	SIZE	CODE	NUMBER
			[H]							REV
			[J]							
			[K]	MFG.ENG.:	P. BARTON	DATE:	6-JUNE-78	K	PL	5413489-0-DBP
			[L]							H
			[M]	ASSEMBLY NUMBER:		TOP DOCUMENT NUMBER:		FILE NAME:	EDIT #	
			[N]	E-UA-5413489-0-0		TU58		Z0582H.PLS	37	

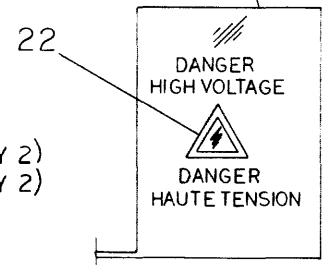
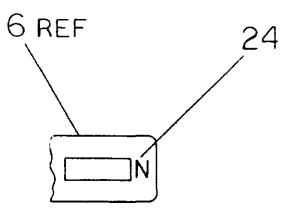
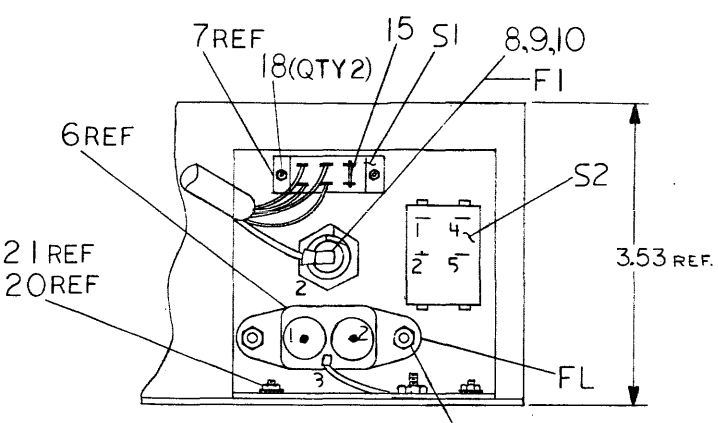
"THIS DRAWING AND SPECIFICATIONS HEREIN, ARE THE PROPERTY OF DIGITAL EQUIPMENT CORPORATION AND SHALL NOT BE REPRODUCED OR COPIED OR USED IN WHOLE OR IN PART AS THE BASIS FOR THE MANUFACTURE OR SALE OF ITEMS WITHOUT WRITTEN PERMISSION. COPYRIGHT (C) 1980. DIGITAL EQUIPMENT CORPORATION"

LINE ITEM	DOCUMENT NUMBER	PART NUMBER	DESCRIPTION	QTY PER VARIATION 00	REFERENCE DESIGNATOR	
76	76	1914451-00	74LS393 COUNTER,BINARY,4BIT	1	E33	
77	77	1914466-00	3130E OP AMP MOS/FET IN,CM	1	E28	
78	78	1915219-00	LS373 FF-D OCTAL-TRANSPARE	1	E11	
79	79	1915415-00	9636 DRIVER,DUAL,EIA RS-	1	E32	
80	80	1915416-00	9637 RECEIVER,DUAL,RS-42	1	E34	
81	81	1915417-00	9638 DRIVER,DUAL,EIA RS-	1	E31	
82	82	2113605-00	4006B SHIFT REG,18 STAGE	1	E14	
83	83	2113609-00	4013B FF-D DUAL W/SET/RESE	1	E4	
84	84	2113630-00	4052B MULTIPLEXER 4CHAN DI	1	E35	
85	85	2113632-00	4066B BILATERAL SWITCH-QUA	1	E22	
86	86	2113634-00	4070B X-OR GATE-QUAD CMOS	1	E21	
87	87	2113937-00	UART 125K BUAD	1	E16	
88	88	2114663-00	MM 80C95 BUFFER-GATE-HEX TRIS	1	E36	
89	89	2114963-00	UP,8-BIT NMOS	1	E2	
90	90	2114964-00	RAM 2048 MOSJ-STATIC	1	E3	
91	91	23089E2-00	E2-01	1	E1	
92	92	1212619-07	HEADER.156 6POS STRAIGHT	1	J1	
93	93	9009185-00	JUMPER, WIRE, INSULATED, BLACK B	2	W1,W3	
94	94	USED FOR Q7 & Q12	9010057-00	WASHER, INSULATING SHOULDER FOR	2	
95	95		1215816-01	HEADER.100 3POS STRAIGHT	1	
96	96		1215816-02	HEADER.100 13POS STRAIGHT	1	
97	97		1215816-03	HEADER.100 8POS STRAIGHT	1	
98	98		9006011-01	SCREW,PAN,PHIL 4-40X 3/8 SS	2	
99	99		9006557-00	NUT,KEP , 4-40X 1/4 AF	2	
100	100		1100124-00	1N 750A VZ= 4.7 5% .40W P	2	D29,D30
101	101		1301890-00	560.0 .25 W 5.0 % CC	2	R32,R35
102	102		1313840-00	4.53 K .25 W 1.0 % RN55D-F10	1	R48
103	103		9105740-55	WIRE(WRAP)30AWG UL1423	A/R	
104	104		1012084-03	150 MFD 15V +75-10% AL EL	2	C44,C14
105	105		9107256-11	*** THIS ITEM IS NOT USED ***	-	
106	106		1910741-01	7406N BUFFER,HEX	1	E20
107	107		5414232-00	*** THIS ITEM IS NOT USED ***	-	
108	108		1310633-00	2.55 K .25 W 1.0 % RN55D-F10	1	R101
109	109		1300488-00	12.0 K .25 W 5.0 % CC	1	R103
110	110		1302466-00	100.0 K .25 W 5.0 % CC	1	R104
111	111		1105871-00	1/4M5.1A21 = 5.1 1% .25W N	1	D32
112	112		1914156-00	LM 393 VOLT.COMPARATOR DUAL	1	E37
113	113		1912098-00	0026 DRIVER,MOS CLOCK,2	1	E38
114	114		1010274-01	.22 MFD 50V +80-20% Z5U CER	4	C50-C53
115	115		1010279-00	.47 MFD 25V 20% CER	3	C20,C21,C49

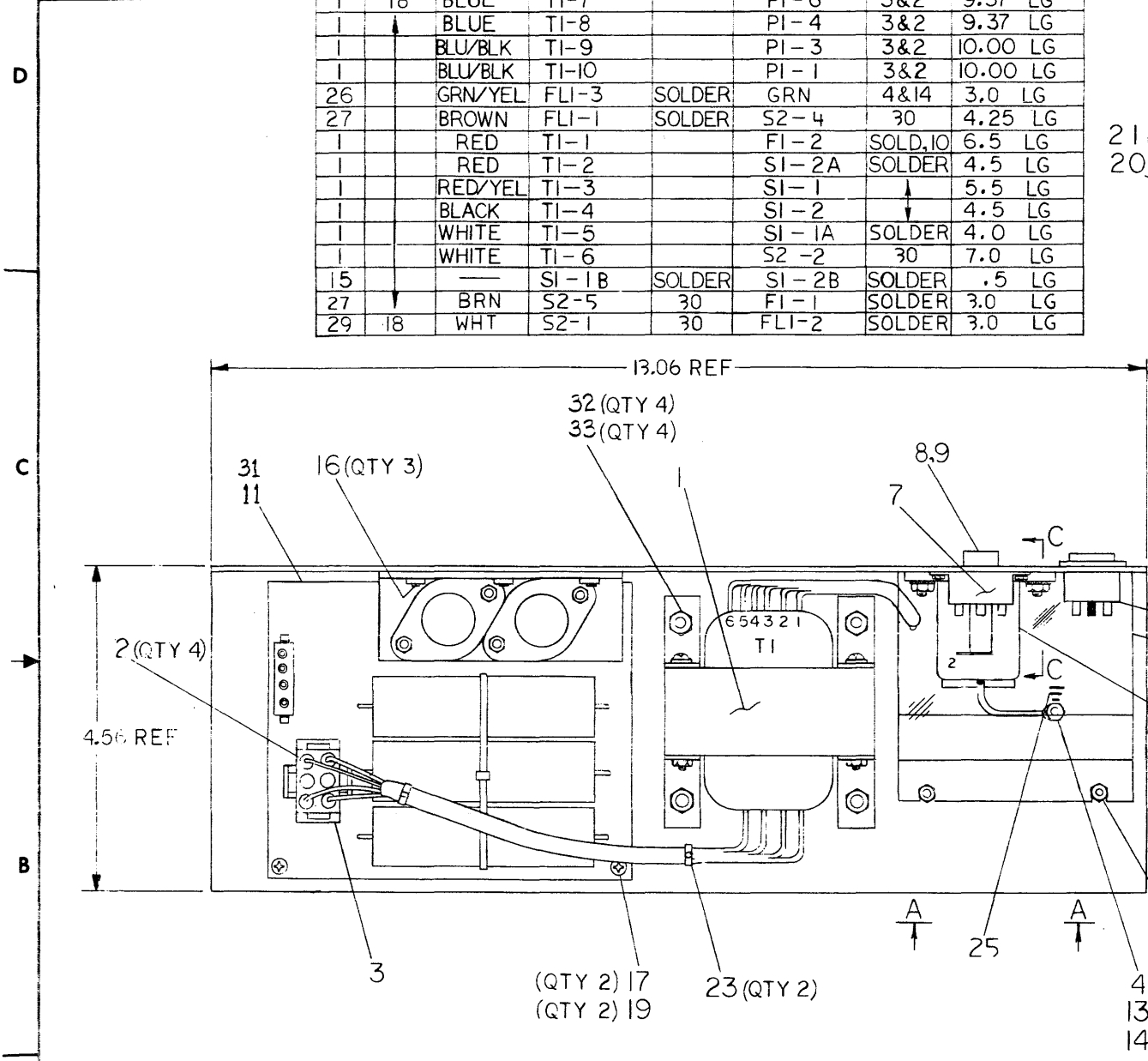
! D ! I ! G ! I ! T ! A ! L !	! T ! I ! T ! L !	! S ! E ! C ! T ! I ! O ! N ! A !	! O ! F ! A !	! S ! I ! Z ! E !	! C ! O ! D ! E !	! D ! O ! C ! U ! M ! E ! N ! T ! N ! U ! M ! B ! E ! R !	! R ! E ! V !
	SERIAL T058			K	PL	5413489-0-08P	H

WIRE TABLE

ITEM NO	AWG	COLOR	CONNECTION WITH	CONNECTION TO	WITH	REMARKS
1	18	BLUE	TI-7	PI-6	3&2	9.37 LG
1		BLUE	TI-8	PI-4	3&2	9.37 LG
1		BLU/BLK	TI-9	PI-3	3&2	10.00 LG
1		BLU/BLK	TI-10	PI-1	3&2	10.00 LG
26		GRN/YEL	FLI-3	SOLDER GRN	4&14	3.0 LG
27		BROWN	FLI-1	SOLDER S2-4	30	4.25 LG
1		RED	TI-1	FI-2	SOLD,10	6.5 LG
1		RED	TI-2	SI-2A	SOLDER	4.5 LG
1		RED/YEL	TI-3	SI-1		5.5 LG
1		BLACK	TI-4	SI-2		4.5 LG
1		WHITE	TI-5	SI-1A	SOLDER	4.0 LG
1		WHITE	TI-6	S2-2	30	7.0 LG
15			SI-1B	SOLDER SI-2B	SOLDER	.5 LG
27		BRN	S2-5	30	FI-1	SOLDER 3.0 LG
29	18	WHT	S2-1	30	FLI-2	SOLDER 3.0 LG



THIS DRAWING AND SPECIFICATIONS, HEREIN, ARE THE PROPERTY OF DIGITAL EQUIPMENT CORPORATION AND SHALL NOT BE REPRODUCED OR COPIED OR USED IN WHOLE OR IN PART AS THE BASIS FOR THE MANUFACTURE OR SALE OF ITEMS WITHOUT WRITTEN PERMISSION. COPYRIGHT © 1980 DIGITAL EQUIPMENT CORPORATION



CAUTION: OFF SHEET PARTS LIST EXISTS SEE B-PL-7017372-0-0

QUANTITY & VARIATION	DESCRIPTION	DRAWING NO.	PART NO.	ITEM NO.
	UNLESS OTHERWISE SPECIFIED DIMENSIONS ARE IN INCHES AND THE FOLLOWING TOLERANCES APPLY (PER DEC STD 114) FIRST USED ON TU58-EX			
	DIMENSION RANGE IN INCHES			
	INCHES TOLERANCES	ANGLES ± 0°30'	APPLICABLE DIMENSION RANGE (CHECK ONE)	OVER TO
	X = ± .1	SURFACE QUANTITY	0.2 TO 1.2	0.2 TO 1.2
	XX = ± .08		1.2 TO 4.0	1.2 TO 4.0
	XXX = ± .005		4.0 TO 12.0	4.0 TO 12.0
			12.0 TO 40.0	12.0 TO 40.0
			40.0 TO 80.0	40.0 TO 80.0
			80.0 TO 100.0	80.0 TO 100.0
			100.0 TO 150.0	100.0 TO 150.0
			150.0 TO 200.0	150.0 TO 200.0
			200.0 TO 300.0	200.0 TO 300.0
			300.0 TO 400.0	300.0 TO 400.0
			400.0 TO 500.0	400.0 TO 500.0
			500.0 TO 600.0	500.0 TO 600.0
			600.0 TO 700.0	600.0 TO 700.0
			700.0 TO 800.0	700.0 TO 800.0
			800.0 TO 900.0	800.0 TO 900.0
			900.0 TO 1000.0	900.0 TO 1000.0
			1000.0 TO 1500.0	1000.0 TO 1500.0
			1500.0 TO 2000.0	1500.0 TO 2000.0
			2000.0 TO 3000.0	2000.0 TO 3000.0
			3000.0 TO 4000.0	3000.0 TO 4000.0
			4000.0 TO 5000.0	4000.0 TO 5000.0
			5000.0 TO 6000.0	5000.0 TO 6000.0
			6000.0 TO 7000.0	6000.0 TO 7000.0
			7000.0 TO 8000.0	7000.0 TO 8000.0
			8000.0 TO 9000.0	8000.0 TO 9000.0
			9000.0 TO 10000.0	9000.0 TO 10000.0
			10000.0 TO 15000.0	10000.0 TO 15000.0
			15000.0 TO 20000.0	15000.0 TO 20000.0
			20000.0 TO 30000.0	20000.0 TO 30000.0
			30000.0 TO 40000.0	30000.0 TO 40000.0
			40000.0 TO 50000.0	40000.0 TO 50000.0
			50000.0 TO 60000.0	50000.0 TO 60000.0
			60000.0 TO 70000.0	60000.0 TO 70000.0
			70000.0 TO 80000.0	70000.0 TO 80000.0
			80000.0 TO 90000.0	80000.0 TO 90000.0
			90000.0 TO 100000.0	90000.0 TO 100000.0
			100000.0 TO 150000.0	100000.0 TO 150000.0
			150000.0 TO 200000.0	150000.0 TO 200000.0
			200000.0 TO 300000.0	200000.0 TO 300000.0
			300000.0 TO 400000.0	300000.0 TO 400000.0
			400000.0 TO 500000.0	400000.0 TO 500000.0
			500000.0 TO 600000.0	500000.0 TO 600000.0
			600000.0 TO 700000.0	600000.0 TO 700000.0
			700000.0 TO 800000.0	700000.0 TO 800000.0
			800000.0 TO 900000.0	800000.0 TO 900000.0
			900000.0 TO 1000000.0	900000.0 TO 1000000.0
			1000000.0 TO 1500000.0	1000000.0 TO 1500000.0
			1500000.0 TO 2000000.0	1500000.0 TO 2000000.0
			2000000.0 TO 3000000.0	2000000.0 TO 3000000.0
			3000000.0 TO 4000000.0	3000000.0 TO 4000000.0
			4000000.0 TO 5000000.0	4000000.0 TO 5000000.0
			5000000.0 TO 6000000.0	5000000.0 TO 6000000.0
			6000000.0 TO 7000000.0	6000000.0 TO 7000000.0
			7000000.0 TO 8000000.0	7000000.0 TO 8000000.0
			8000000.0 TO 9000000.0	8000000.0 TO 9000000.0
			9000000.0 TO 10000000.0	9000000.0 TO 10000000.0
			10000000.0 TO 15000000.0	10000000.0 TO 15000000.0
			15000000.0 TO 20000000.0	15000000.0 TO 20000000.0
			20000000.0 TO 30000000.0	20000000.0 TO 30000000.0
			30000000.0 TO 40000000.0	30000000.0 TO 40000000.0
			40000000.0 TO 50000000.0	40000000.0 TO 50000000.0
			50000000.0 TO 60000000.0	50000000.0 TO 60000000.0
			60000000.0 TO 70000000.0	60000000.0 TO 70000000.0
			70000000.0 TO 80000000.0	70000000.0 TO 80000000.0
			80000000.0 TO 90000000.0	80000000.0 TO 90000000.0
			90000000.0 TO 100000000.0	90000000.0 TO 100000000.0
			100000000.0 TO 150000000.0	100000000.0 TO 150000000.0
			150000000.0 TO 200000000.0	150000000.0 TO 200000000.0
			200000000.0 TO 300000000.0	200000000.0 TO 300000000.0
			300000000.0 TO 400000000.0	300000000.0 TO 400000000.0
			400000000.0 TO 500000000.0	400000000.0 TO 500000000.0
			500000000.0 TO 600000000.0	500000000.0 TO 600000000.0
			600000000.0 TO 700000000.0	600000000.0 TO 700000000.0
			700000000.0 TO 800000000.0	700000000.0 TO 800000000.0
			800000000.0 TO 900000000.0	800000000.0 TO 900000000.0
			900000000.0 TO 1000000000.0	900000000.0 TO 1000000000.0
			1000000000.0 TO 1500000000.0	1000000000.0 TO 1500000000.0
			1500000000.0 TO 2000000000.0	1500000000.0 TO 2000000000.0
			2000000000.0 TO 3000000000.0	2000000000.0 TO 3000000000.0
			3000000000.0 TO 4000000000.0	3000000000.0 TO 4000000000.0
			4000000000.0 TO 5000000000.0	4000000000.0 TO 5000000000.0
			5000000000.0 TO 6000000000.0	5000000000.0 TO 6000000000.0
			6000000000.0 TO 7000000000.0	6000000000.0 TO 7000000000.0
			7000000000.0 TO 8000000000.0	7000000000.0 TO 8000000000.0
			8000000000.0 TO 9000000000.0	8000000000.0 TO 9000000000.0
			9000000000.0 TO 10000000000.0	9000000000.0 TO 10000000000.0
			10000000000.0 TO 15000000000.0	10000000000.0 TO 15000000000.0
			15000000000.0 TO 20000000000.0	15000000000.0 TO 20000000000.0
			20000000000.0 TO 30000000000.0	20000000000.0 TO 30000000000.0
			30000000000.0 TO 40000000000.0	30000000000.0 TO 40000000000.0
			40000000000.0 TO 50000000000.0	40000000000.0 TO 50000000000.0
			50000000000.0 TO 60000000000.0	50000000000.0 TO 60000000000.0
			60000000000.0 TO 70000000000.0	60000000000.0 TO 70000000000.0
			70000000000.0 TO 80000000000.0	70000000000.0 TO 80000000000.0
			80000000000.0 TO 90000000000.0	80000000000.0 TO 90000000000.0
			90000000000.0 TO 100000000000.0	90000000000.0 TO 100000000000.0
			100000000000.0 TO 150000000000.0	100000000000.0 TO 150000000000.0
			150000000000.0 TO 200000000000.0	150000000000.0 TO 200000000000.0
			200000000000.0 TO 300000000000.0	200000000000.0 TO 300000000000.0
			300000000000.0 TO 400000000000.0	300000000000.0 TO 400000000000.0
			400000000000.0 TO 500000000000.0	400000000000.0 TO 500000000000.0
			500000000000.0 TO 600000000000.0	500000000000.0 TO 600000000000.0
			600000000000.0 TO 700000000000.0	600000000000.0 TO 700000000000.0
			700000000000.0 TO 800000000000.0	700000000000.0 TO 800000000000.0
			800000000000.0 TO 900000000000.0	800000000000.0 TO 900000000000.0
			900000000000.0 TO 1000000000000.0	900000000000.0 TO 1000000000000.0
			1000000000000.0 TO 1500000000000.0	1000000000000.0 TO 1500000000000.0
			1500000000000.0 TO 2000000000000.0	1500000000000.0 TO 2000000000000.0
			2000000000000.0 TO 3000000000000.0	2000000000000.0 TO 3000000000000.0
			3000000000000.0 TO 4000000000000.0	3000000000000.0 TO 4000000000000.0
			4000000000000.0 TO 5000000000000.0	4000000000000.0 TO 5000000000000.0
			5000000000000.0 TO 6000000000000.0	5000000000000.0 TO 6000000000000.0
			6000000000000.0 TO 7000000000000.0	6000000000000.0 TO 7000000000000.0
			7000000000000.0 TO 8000000000000.0	7000000000000.0 TO 8000000000000.0
			8000000000000.0 TO 9000000000000.0	8000000000000.0 TO 9000000000000.0
			9000000000000.0 TO 10000000000000.0	9000000000000.0 TO 10000000000000.0
			10000000000000.0 TO 15000000000000.0	10000000000000.0 TO 15000000000000.0
			15000000000000.0 TO 20000000000000.0	15000000000000.0 TO 20000000000000.0
			20000000000000.0 TO 30000000000000.0	20000000000000.0 TO 30000000000000.0
			30000000000000.0 TO 40000000000000.0	30000000000000.0 TO 40000000000000.0
			40000000000000.0 TO 50000000000000.0	40000000000000.0 TO 50000000000000.0
			50000000000000.0 TO 60000000000000.0	50000000000000.0 TO 60000000000000.0
			60000000000000.0 TO 70000000000000.0	60000000000000.0 TO 70000000000000.0
			70000000000000.0 TO 80000000000000.0	70000000000000.0 TO 80000000000000.0
			80000000000000.0 TO 90000000000000.0	80000000000000.0 TO 90000000000000.0
			90000000000000.0 TO 100000000000000.0	90000000000000.0 TO 100000000000000.0
			100000000000000.0 TO 150000000000000.0	100000000000000.0 TO 150000000000000.0
			150000000000000.0 TO 200000000000000.0	

**DIGITAL EQUIPMENT CORPORATION
MAYNARD MASSACHUSETTS**

PACKAGING INSTRUCTION		REV: <u> A </u> DATE: <u> 3/80 </u>
TITLE PKG PROCESSOR SB11 TU58, TU58L, TUS58		<u> B </u> <u> 11/80 </u>
LEGEND		
VARIATION	USED ON	PACKAGE TYPE REMARKS
37-00490-00	SB11-AA	CUSTOMER N/A
	SB11-DA	
	SB11-FA	
	SB11-FA	
37-00490-01	TU58-EA	CUSTOMER N/A
	TU58-VA	
	TU58L-FA	
37-00490-02	TUS 58-FA	
PARTS LIST 37-00490-00		
QUANTITY	DWG/PART NUMBER	DESCRIPTION
2	99-06547-00	PAD, MOLDED FOAM
1	99-06546-00	CARTON, REGULAR SLOTTED
5 FT.	99-05729-00	TAPE, CARTON SEALING
4 FT.	99-06200-00	BUBBLEWRAP, ANTISTATIC, PINK
1	99-06663-00	FOLDER, ONE PIECE
PACKAGING INSTRUCTIONS 37-00490-00 (FIGURE 1)		
STEP	PROCEDURE	
1.	FOLLOW GENERAL GUIDELINES (A-SP-37-00349-0-0). FOR CONSTRUCTION OF FOAM PADS USE MOLD BOX(99-06547-00) AND MOLD INSERT (99-06547-00).	
2.	PLACE ONE FOAM PAD (99-06547) ON EACH END OF THE SB11.	
3.	SET UP THE REGULAR SLOTTED CARTON (99-06546-00) AND SEAL BOTTOM USING ONE STRIP (21 INCHES) OF CARTON SEALING TAPE. (99-05729-00).	
4.	SLIDE SB11 (WITH END CAPS) INTO THE REGULAR SLOTTED CARTON (99-06546-00).	
5.	WRAP POWER CABLE (BC20N-05) IN BUBBLE WRAP (9906200), AND PLACE IT ON TOP OF SB11 UNIT (SEE FIGURE 1).	
6.	PLACE INSTALLATION ASSY(70-16753), H315 LOOP BACK CONNECTOR, AND BN11A-04 23 CONDUCTOR CABLE INTO ONE PIECE FOLDER(9906663-00) AND SEAL USING A 14 INCH STRIP OF CARTON SEALING TAPE.	
7.	PLACE THE ONE PIECE FOLDER CONTAINING THE SPARE PARTS INTO THE REGULAR SLOTTED CARTON AS SHOWN IN FIGURE 1.	
8.	CLOSE TOP FLAPS AND SEAL USING 21 INCHES OF CARTON SEALING TAPE (99-05729-00).	
9.	PALLETIZE AS PER FIGURE 4 ONTO PALLET (9906199) USING FOUR(4) ANGLE BOARD (99-06185-14) AND FOUR(4) STRAPPING(99-05734-02), OR STRETCHWRAP POLYVINYL CHLORIDE FILM (9906553-06).	
ENG	APPD	SIZE CODE NUMBER
M. CHACKO 3/19/80	W. B. ROBERTS 3/20/80	A SP 3700490-0-0

SHEET 1 OF 7

PACKAGING INSTRUCTION

CONTINUATION SHEET

TITLE PKG PROCESSOR SB11, TU58, TU58L, TUS 58		
PARTS LIST 37-00490-01		
QUANTITY	DWG/PART NUMBER	DESCRIPTION
2	99-06547-00	Pad, Molded Foam
1	99-06546-00	Carton, Regular Slotted
3 ft.	99-06200-00	Bubblewrap, Antistatic
3.5 ft.	99-05729-00	Tape, Carton Sealing
PACKAGING INSTRUCTIONS (3700490-01)		
STEP	PROCEDURE (Figure 2)	
1.	Follow General Guidelines (A-SP-3700349-0-0) for construction of foam pads, using Mold Box and Mold Insert (9906547-00).	
2.	Set up the Regular Slotted Carton (9906546-00) and seal bottom using one strip (21 inches) of Carton Sealing Tape (9905729-00).	
3.	Place one Foam Pad (9906547-00) on each end of the TU58.	
4.	Slide TU58 with end caps in position half way inside Regular Slotted Carton (9906546-00).	
5.	Now take the Power Cable, wrap it in Bubble Wrap (9906200-00), and place it over TU58 Unit. (See Figure 2).	
6.	Slide the TU58 Unit with end caps completely into Regular Slotted Carton (9906546-00).	
7.	Close the top flaps and seal using 21 inches of Carton Sealing Tape (9905729-00).	
8.	Palletize as per Figure 4 using four (4) Angle Board (9906185-14) and four (4) Strapping (9905734-02).	
	SIZE	CODE NUMBER REV
	A	SP 3700490-0-0 B

DEC8-1031

SHEET 2 OF 7

PACKAGING INSTRUCTION

CONTINUATION SHEET

TITLE PKG PROCESSOR SB11, TU58, TU58L, TUS58		
PARTS LIST 3700490-02 (TUS58-FA)		
QUANTITY	DWG/PART NUMBER	DESCRIPTION
2	99-06547-00	Pad, Molded Foam
1	99-06546-00	Carton, Regular Slotted
1	99-06663-00	Folder, One Piece
4 ft.	99-06200-00	Bubblewrap, Antistatic, Pink
4-1/2 ft.	99-05729-00	Tape, Carton Sealing
PACKAGING INSTRUCTIONS (3700490-02)		
STEP	PROCEDURE	
1.	Follow General Guidelines (A-SP-3700349-0-0) for construction of foam pads. Use Mold Box (9906547-00) and Mold Insert (9906547-00).	
2.	Set up the Regular Slotted Carton (9906546-00) and seal the bottom using one strip (21 inches) of Carton Sealing Tape (9905729-00).	
3.	Place one Molded Foam Pad (9906547-00) on the end of the TUS58-FA and place in the Regular Slotted Carton so that the foam goes to the bottom of the Regular Slotted Carton. See Figure 3.	
4.	Wrap separately in one (1) foot pieces of Bubblewrap (9906200-00): One (1) Leim TUS58, LA120 Hanger (7423304-00) and one (1) Leim TUS58 Clamp (7423303-00). In a two (2) foot piece of Bubblewrap, wrap a Leim Cable Assy (7017352-00).	
5.	Arrange the wrapped parts from step 4 along with two (2) Cartridge Tapes (TU58K) and a Hardware Bag containing three (3) Pan Head Screws 10-32 x .62LG (9008508-01), three (3) Lock Washer No. 10 (9007906-00) and three (3) No. 10 Flat Washer (9006664-00) into the One Piece Foler (9906663-00) and seal using a 14 inch strip of Carton Sealing Tape.	
6.	Place the One Piece Folder containing the additional parts into the Regular Slotted Carton as shown in Figure 3.	
7.	Place the remaining Molded Foam Pad over the TUS58-FA and close the Regular Slotted Carton and seal using one (1) 21 inch strip of Carton Sealing Tape.	
8.	Palletize as per Figure 4 using four (4) Angle Board (9906185-14) and four (4) Strapping (9905734-02).	
	SIZE	CODE NUMBER REV
	A	SP 3700490-0-0 B

DEC8-1031

SHEET 3 OF 7

This drawing and specifications, herein, are the property of Digital Equipment Corporation and shall not be reproduced or copied or used in whole or in part as the basis for the manufacture or sale of items without written permission.

PACKAGING INSTRUCTION

REV: A DATE: 3/80
 B 11/80

TITLE PKG PROCESSOR SB11, TU58L, TUS58

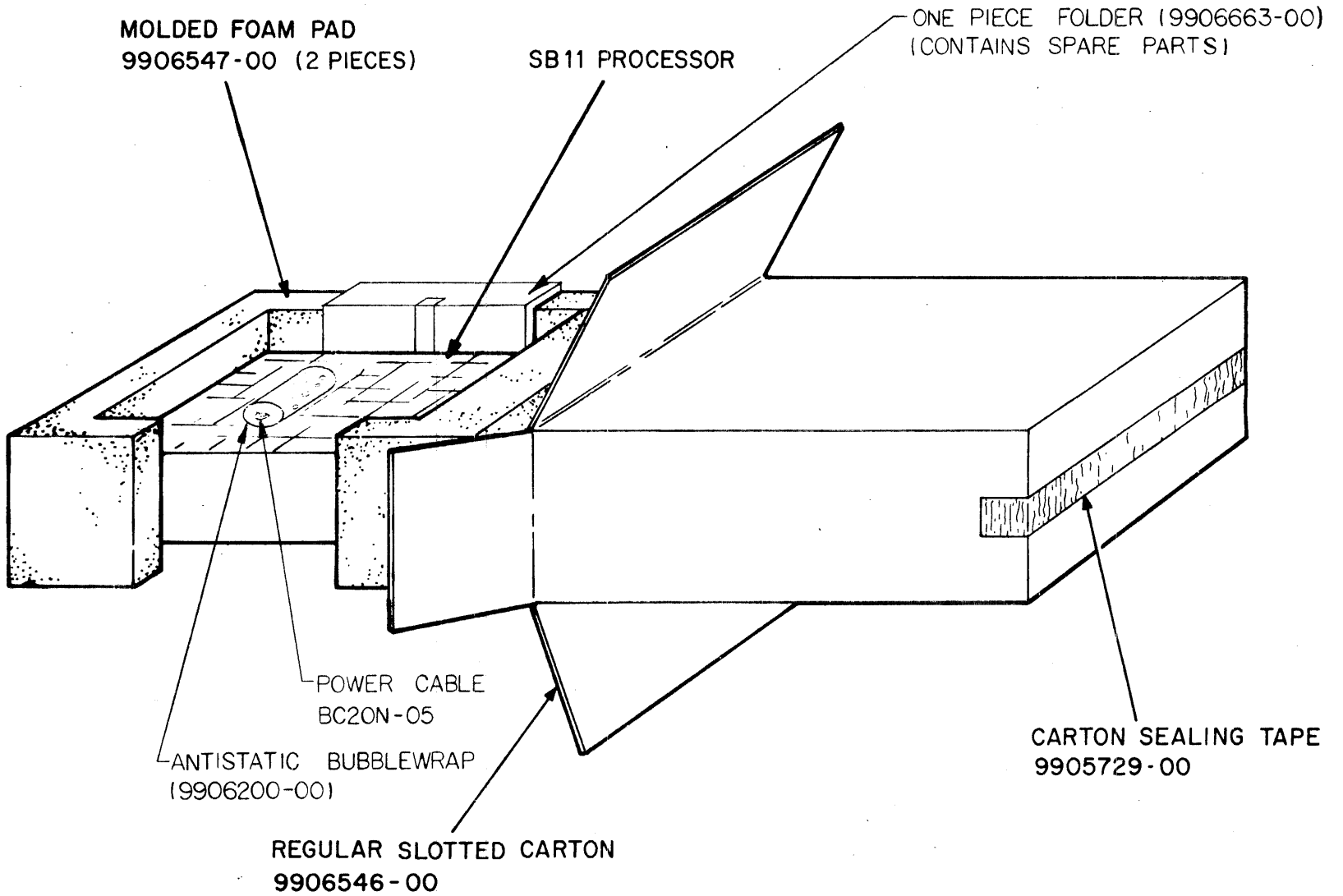


FIGURE 1.
3700490-00

	PACKAGED DIMENSIONS & WEIGHTS	
	USA	METRIC
WEIGHT	13 lb.	5.9 KILO
LENGTH	18 in.	457.2 mm.
WIDTH	10 in.	255.6 mm.
HEIGHT	20 in.	504.8 mm.
CUBE	2.1 cu. ft.	.06 cu. m
DENSITY	6.3 lb/cu. ft.	100.3 Kg/cu. m

NOTE: Make changes on "C" size original only and rephotograph

ENG. <i>Alan...</i>	APPD. <i>M.B. Robert</i>	DATE 10/2/79	SIZE C	CODE SP	NUMBER 3700490-0-0	REV B
---------------------	--------------------------	-----------------	-----------	------------	-----------------------	----------

This drawing and specifications, herein, are the property of Digital Equipment Corporation and shall not be reproduced or copied or used in whole or in part as the basis for the manufacture or sale of items without written permission.

PACKAGING INSTRUCTION	REV: <u> A </u> DATE: <u> 3/80 </u>	REV: <u> B </u> DATE: <u> 11/80 </u>
TITLE PKG PROCESSOR SB11, TU58L, TUS58		

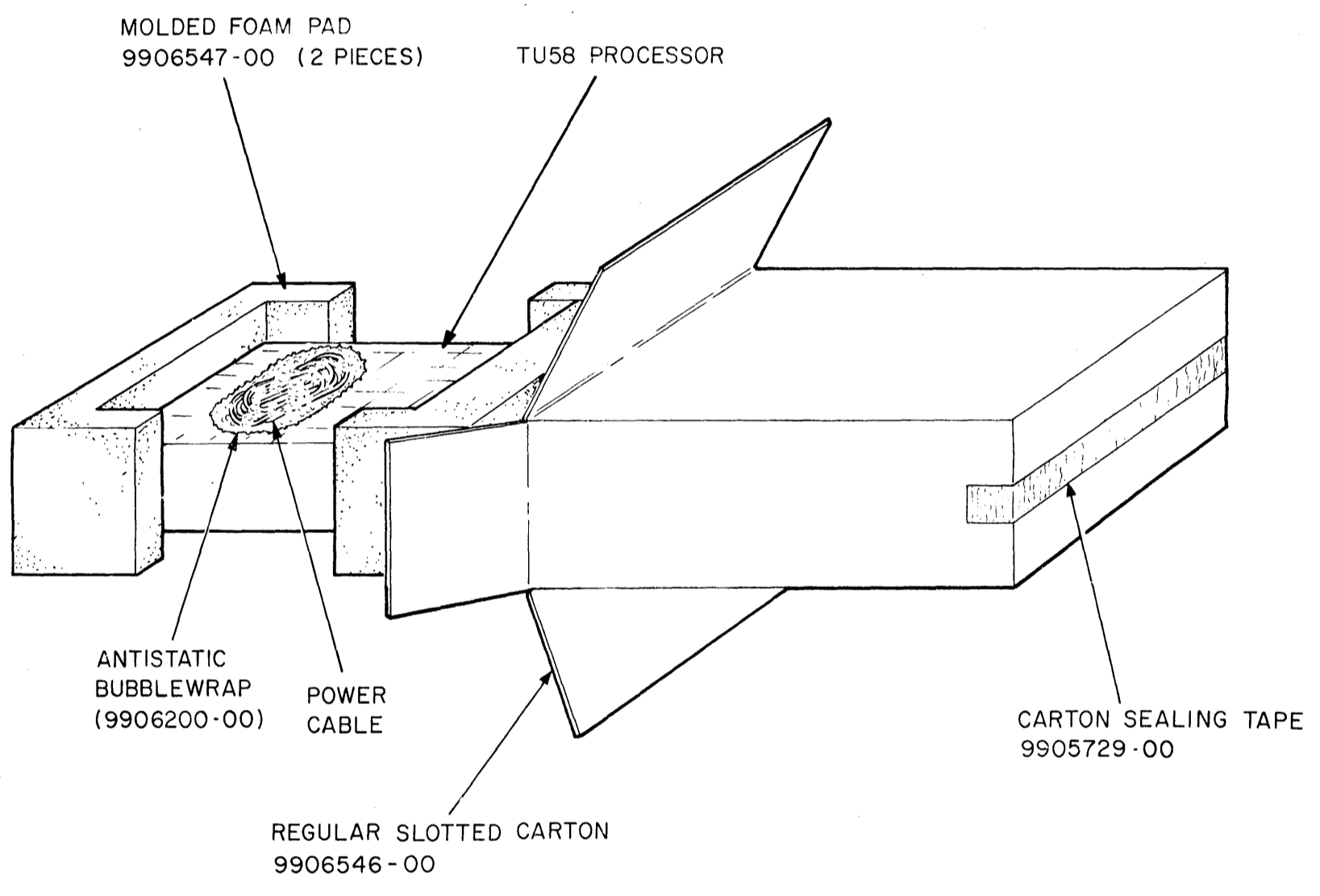


FIGURE 2
3700490-01

	PACKAGED DIMENSIONS & WEIGHTS	
	USA	METRIC
WEIGHT	13 lb.	5.9 KILO
LENGTH	18 in.	457.2 mm.
WIDTH	10 in.	255.6 mm.
HEIGHT	20 in.	504.8 mm.
CUBE	2.1 cu. ft.	.06 cu. m
DENSITY	6.3 lb/cu. ft.	100.3 Kg/cu. m

NOTE: Make changes on "C" size original only and rephotograph

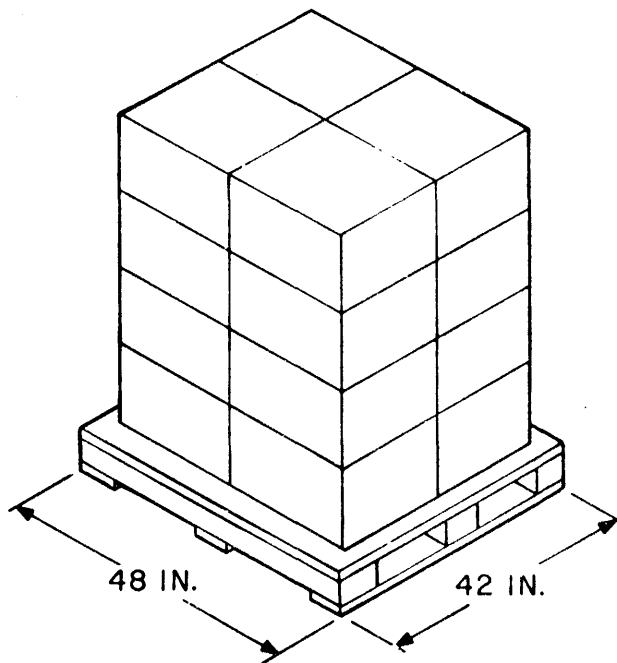
ENG. <i>[Signature]</i>	APPD. <i>M.B. Robert</i>	DATE <i>10/2/79</i>	SIZE C	CODE SP	NUMBER 3700490-0-0	REV B
-------------------------	--------------------------	------------------------	-----------	------------	-----------------------	----------

This drawing and specifications, herein, are the property of Digital Equipment Corporation and shall not be reproduced or copied or used in whole or in part as the basis for the manufacture or sale of items without written permission.

PACKAGING INSTRUCTION

REV: A DATE: 3/80
B 11/80

TITLE PKG PROCESSOR SB11, TU58, TU58L, TUS58



4 CARTON PER TIER
 4 TIERS HIGH
 16 CARTONS PER PALLET

LOAD DETAIL

FIGURE 4

3700490-00
 3700490-01
 3700490-02

PACKAGED DIMENSIONS & WEIGHTS

	USA	METRIC
WEIGHT	258 lb.	117.03 KILO
LENGTH	48 in.	1219 mm.
WIDTH	42 in.	1067 mm.
HEIGHT	44 in.	1118 mm.
CUBE	51.3 cu. ft.	1.45 cu. m
DENSITY	5.03 lb/cu. ft.	80.58 Kg/cu. m

NOTE: Make changes on "C" size original only and rephotograph

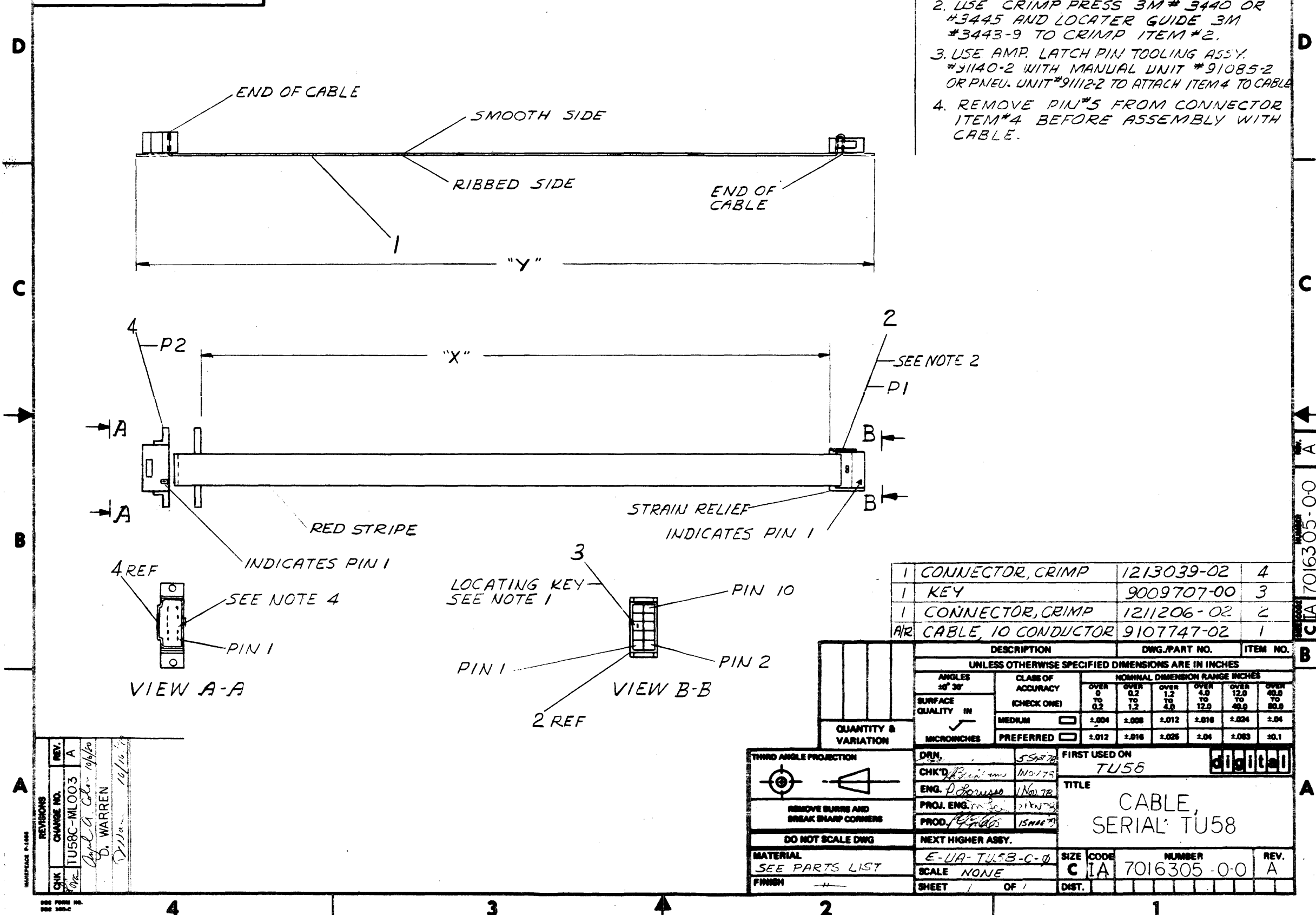
ENG. <i>[Signature]</i>	APPD. <i>[Signature]</i>	DATE <i>10/5/80</i>	SIZE <i>C</i>	CODE <i>SP</i>	NUMBER 3700490-0-0	REV <i>B</i>
-------------------------	--------------------------	---------------------	---------------	----------------	--------------------	--------------

"THIS DRAWING AND SPECIFICATIONS, HEREIN, ARE THE PROPERTY OF DIGITAL EQUIPMENT CORPORATION AND SHALL NOT BE REPRODUCED OR COPIED OR USED IN WHOLE OR IN PART AS THE BASIS FOR THE MANUFACTURE OR SALE OF ITEMS WITHOUT WRITTEN PERMISSION. COPYRIGHT © 1978, DIGITAL EQUIPMENT CORPORATION"

NUMBER	DIM "X" VARIATION	DIM "Y" (PRECUT)
7016305-03	3 FT ± 1.0 IN.	3 FT. 3 IN.
7016305-1F	1 FT 6 IN ± 1.0 IN.	1 FT 9 IN.

NOTES

1. INSERT KEY IN #5 CONNECTOR PIN HOLE AND BREAK OFF TAB
2. USE CRIMP PRESS 3M # 3440 OR #3445 AND LOCATER GUIDE 3M #3443-9 TO CRIMP ITEM #2.
3. USE AMP. LATCH PIN TOOLING ASSY. #31140-2 WITH MANUAL UNIT #91085-2 OR PNEU. UNIT #91112-2 TO ATTACH ITEM #4 TO CABLE.
4. REMOVE PIN #5 FROM CONNECTOR ITEM #4 BEFORE ASSEMBLY WITH CABLE.



DESCRIPTION	DWG./PART NO.	ITEM NO.
1 CONNECTOR, CRIMP	1213039-02	4
1 KEY	9009707-00	3
1 CONNECTOR, CRIMP	1211206-02	2
1/2 CABLE, 10 CONDUCTOR	9107747-02	1

UNLESS OTHERWISE SPECIFIED DIMENSIONS ARE IN INCHES							
ANGLES ±0° 30'	CLASS OF ACCURACY (CHECK ONE)	NOMINAL DIMENSION RANGE INCHES					
		OVER 0 TO 0.2	OVER 0.2 TO 1.2	OVER 1.2 TO 4.0	OVER 4.0 TO 12.0	OVER 12.0 TO 40.0	
SURFACE QUALITY IN MICRONCHES	MEDIUM	±.004	±.008	±.012	±.016	±.024	±.04
	PREFERRED	±.012	±.016	±.024	±.04	±.063	±0.1

REV.	CHG. NO.	DATE	BY	CHK.
A		10/10/78	WARREN	

THIRD ANGLE PROJECTION	DRN. 5/5/78	FIRST USED ON	TU56
REMOVE BURRS AND BREAK SHARP CORNERS	CHK'D. [Signature]	ENG. P. [Signature]	PROD. [Signature]
DO NOT SCALE DWG	NEXT HIGHER ASSY.	TITLE CABLE, SERIAL TU58	
MATERIAL SEE PARTS LIST	E-VA-TU58-C-0	SIZE C	CODE IA
FINISH	SCALE NONE	NUMBER 7016305-0-0	REV. A
	SHEET 1 OF 1	DIST.	

CIA 7016305-00

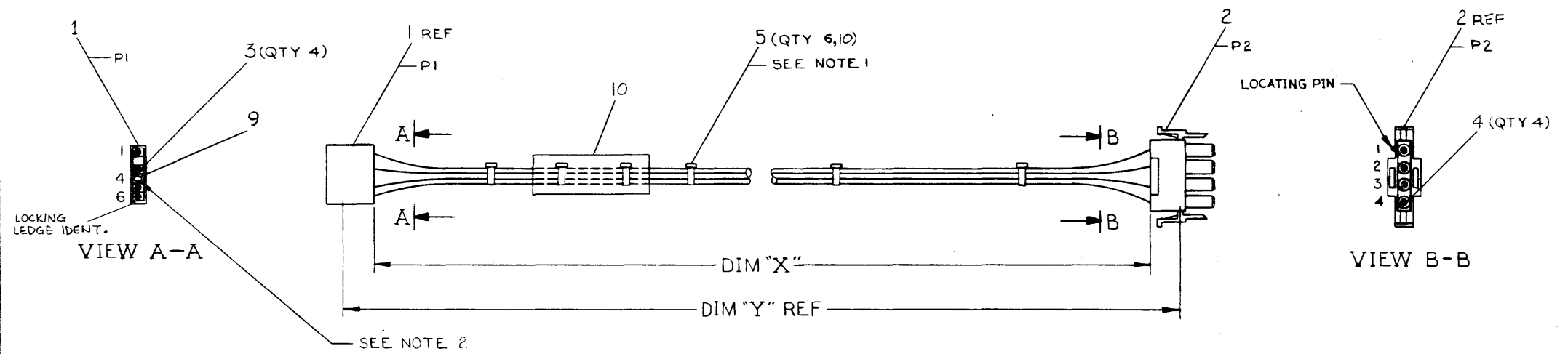
7016527-0-0 2

THIS DRAWING AND INFORMATION HEREON ARE THE PROPERTY OF THE UNITED STATES GOVERNMENT AND SHALL NOT BE REPRODUCED OR COPIED IN WHOLE OR IN PART FOR THE USE OF THE PUBLIC OR FOR THE SALE OF THE RIGHTS THEREIN. FEDERAL GOVERNMENT PROPERTY © 1978

WIRE TABLE							
ITEM NO	DESCRIPTION	FROM	TO	REMARKS			
6	18 BLU	PI-1	P2-1	+12V			
7	18 BLK	PI-3	P2-2				
7	18 BLK	PI-6	P2-3				
8	18 RED	PI-5	P2-4	+5V			

LEGEND		
NUMBER	DIM "X" VARIATION	DIM "Y" (PRECUT) REF
7016527-02	2 FT - ± 1.0 IN	2 FT - 5 IN
7016527-01	1 FT - ± 1.0 IN	1 FT - 5 IN
7016527-1F	1 FT 6 IN ± 1.0 IN	1 FT - 11 IN

NOTES:
 1. ATTACH CABLE TIE (ITEM 5) APPROXIMATELY EVERY 3" AS SHOWN.
 2. INSERT KEY PLUG (ITEM 9) INTO POSITION 4 FROM THIS END.

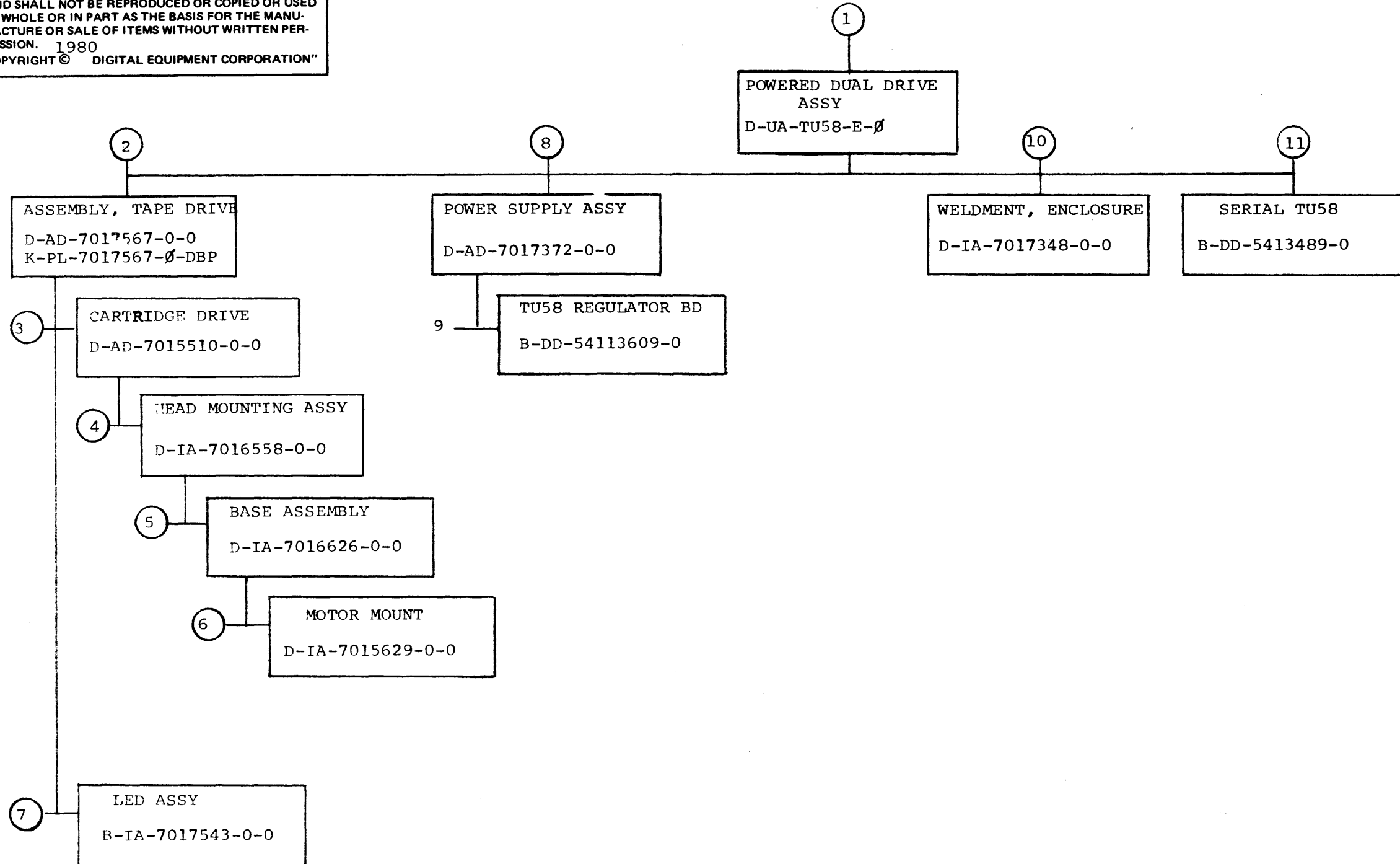


CAUTION OFF SHEETS PARTS LIST EXIST B-PL-7016527-0-0

REV.	DATE	BY	CHKD
1	17 Jul 78	C. BICKOFF	
2	10/12/78	Richard P. ...	
3	10/12/78	JIM WALES	
4	10/12/78	D. WARREN	

QUANTITY & VARIATION	DESCRIPTION	DWG. PART NO.	ITEM NO.
THIRD ANGLE PROJECTION	UNLESS OTHERWISE SPECIFIED DIMENSIONS ARE IN INCHES		
REMOVE BURRS AND BREAK SHARP CORNERS	CLASS OF ACCURACY	NORMAL DIMENSION RANGE	
DO NOT SCALE DRWG	(CHECK ONE)	0.001 - 0.002	0.002 - 0.005
MATERIAL SEE PARTS LIST	MEDIUM	0.005 - 0.010	0.010 - 0.020
FINISH NONE	PREFERRED	0.010 - 0.020	0.020 - 0.050
	MICROMETERS	0.001 - 0.002	0.002 - 0.005
		0.005 - 0.010	0.010 - 0.020
		0.010 - 0.020	0.020 - 0.050
		0.020 - 0.050	0.050 - 0.100
		0.050 - 0.100	0.100 - 0.200
		0.100 - 0.200	0.200 - 0.500
		0.200 - 0.500	0.500 - 1.000
		0.500 - 1.000	1.000 - 2.000
		1.000 - 2.000	2.000 - 5.000
		2.000 - 5.000	5.000 - 10.000
		5.000 - 10.000	10.000 - 20.000
		10.000 - 20.000	20.000 - 50.000
		20.000 - 50.000	50.000 - 100.000
		50.000 - 100.000	100.000 - 200.000
		100.000 - 200.000	200.000 - 500.000
		200.000 - 500.000	500.000 - 1000.000
		500.000 - 1000.000	1000.000 - 2000.000
		1000.000 - 2000.000	2000.000 - 5000.000
		2000.000 - 5000.000	5000.000 - 10000.000
		5000.000 - 10000.000	10000.000 - 20000.000
		10000.000 - 20000.000	20000.000 - 50000.000
		20000.000 - 50000.000	50000.000 - 100000.000
		50000.000 - 100000.000	100000.000 - 200000.000
		100000.000 - 200000.000	200000.000 - 500000.000
		200000.000 - 500000.000	500000.000 - 1000000.000
		500000.000 - 1000000.000	1000000.000 - 2000000.000
		1000000.000 - 2000000.000	2000000.000 - 5000000.000
		2000000.000 - 5000000.000	5000000.000 - 10000000.000
		5000000.000 - 10000000.000	10000000.000 - 20000000.000
		10000000.000 - 20000000.000	20000000.000 - 50000000.000
		20000000.000 - 50000000.000	50000000.000 - 100000000.000
		50000000.000 - 100000000.000	100000000.000 - 200000000.000
		100000000.000 - 200000000.000	200000000.000 - 500000000.000
		200000000.000 - 500000000.000	500000000.000 - 1000000000.000
		500000000.000 - 1000000000.000	1000000000.000 - 2000000000.000
		1000000000.000 - 2000000000.000	2000000000.000 - 5000000000.000
		2000000000.000 - 5000000000.000	5000000000.000 - 10000000000.000
		5000000000.000 - 10000000000.000	10000000000.000 - 20000000000.000
		10000000000.000 - 20000000000.000	20000000000.000 - 50000000000.000
		20000000000.000 - 50000000000.000	50000000000.000 - 100000000000.000
		50000000000.000 - 100000000000.000	100000000000.000 - 200000000000.000
		100000000000.000 - 200000000000.000	200000000000.000 - 500000000000.000
		200000000000.000 - 500000000000.000	500000000000.000 - 1000000000000.000
		500000000000.000 - 1000000000000.000	1000000000000.000 - 2000000000000.000
		1000000000000.000 - 2000000000000.000	2000000000000.000 - 5000000000000.000
		2000000000000.000 - 5000000000000.000	5000000000000.000 - 10000000000000.000
		5000000000000.000 - 10000000000000.000	10000000000000.000 - 20000000000000.000
		10000000000000.000 - 20000000000000.000	20000000000000.000 - 50000000000000.000
		20000000000000.000 - 50000000000000.000	50000000000000.000 - 100000000000000.000
		50000000000000.000 - 100000000000000.000	100000000000000.000 - 200000000000000.000
		100000000000000.000 - 200000000000000.000	200000000000000.000 - 500000000000000.000
		200000000000000.000 - 500000000000000.000	500000000000000.000 - 1000000000000000.000
		500000000000000.000 - 1000000000000000.000	1000000000000000.000 - 2000000000000000.000
		1000000000000000.000 - 2000000000000000.000	2000000000000000.000 - 5000000000000000.000
		2000000000000000.000 - 5000000000000000.000	5000000000000000.000 - 10000000000000000.000
		5000000000000000.000 - 10000000000000000.000	10000000000000000.000 - 20000000000000000.000
		10000000000000000.000 - 20000000000000000.000	20000000000000000.000 - 50000000000000000.000
		20000000000000000.000 - 50000000000000000.000	50000000000000000.000 - 100000000000000000.000
		50000000000000000.000 - 100000000000000000.000	100000000000000000.000 - 200000000000000000.000
		100000000000000000.000 - 200000000000000000.000	200000000000000000.000 - 500000000000000000.000
		200000000000000000.000 - 500000000000000000.000	500000000000000000.000 - 1000000000000000000.000
		500000000000000000.000 - 1000000000000000000.000	1000000000000000000.000 - 2000000000000000000.000
		1000000000000000000.000 - 2000000000000000000.000	2000000000000000000.000 - 5000000000000000000.000
		2000000000000000000.000 - 5000000000000000000.000	5000000000000000000.000 - 10000000000000000000.000
		5000000000000000000.000 - 10000000000000000000.000	10000000000000000000.000 - 20000000000000000000.000
		10000000000000000000.000 - 20000000000000000000.000	20000000000000000000.000 - 50000000000000000000.000
		20000000000000000000.000 - 50000000000000000000.000	50000000000000000000.000 - 100000000000000000000.000
		50000000000000000000.000 - 100000000000000000000.000	100000000000000000000.000 - 200000000000000000000.000
		100000000000000000000.000 - 200000000000000000000.000	200000000000000000000.000 - 500000000000000000000.000
		200000000000000000000.000 - 500000000000000000000.000	500000000000000000000.000 - 1000000000000000000000.000
		500000000000000000000.000 - 1000000000000000000000.000	1000000000000000000000.000 - 2000000000000000000000.000
		1000000000000000000000.000 - 2000000000000000000000.000	2000000000000000000000.000 - 5000000000000000000000.000
		2000000000000000000000.000 - 5000000000000000000000.000	5000000000000000000000.000 - 10000000000000000000000.000
		5000000000000000000000.000 - 10000000000000000000000.000	10000000000000000000000.000 - 20000000000000000000000.000
		10000000000000000000000.000 - 20000000000000000000000.000	20000000000000000000000.000 - 50000000000000000000000.000
		20000000000000000000000.000 - 50000000000000000000000.000	50000000000000000000000.000 - 100000000000000000000000.000
		50000000000000000000000.000 - 100000000000000000000000.000	100000000000000000000000.000 - 200000000000000000000000.000
		100000000000000000000000.000 - 200000000000000000000000.000	200000000000000000000000.000 - 500000000000000000000000.000
		200000000000000000000000.000 - 500000000000000000000000.000	500000000000000000000000.000 - 1000000000000000000000000.000
		500000000000000000000000.000 - 1000000000000000000000000.000	1000000000000000000000000.000 - 2000000000000000000000000.000
		1000000000000000000000000.000 - 2000000000000000000000000.000	2000000000000000000000000.000 - 5000000000000000000000000.000
		2000000000000000000000000.000 - 5000000000000000000000000.000	5000000000000000000000000.000 - 10000000000000000000000000.000
		5000000000000000000000000.000 - 10000000000000000000000000.000	10000000000000000000000000.000 - 20000000000000000000000000.000
		10000000000000000000000000.000 - 20000000000000000000000000.000	20000000000000000000000000.000 - 50000000000000000000000000.000
		20000000000000000000000000.000 - 50000000000000000000000000.000	50000000000000000000000000.000 - 100000000000000000000000000.000
		50000000000000000000000000.000 - 100000000000000000000000000.000	100000000000000000000000000.000 - 200000000000000000000000000.000
		100000000000000000000000000.000 - 200000000000000000000000000.000	200000000000000000000000000.000 - 500000000000000000000000000.000
		200000000000000000000000000.000 - 500000000000000000000000000.000	500000000000000000000000000.000 - 1000000000000000000000000000.000
		500000000000000000000000000.000 - 1000000000000000000000000000.000	1000000000000000000000000000.000 - 2000000000000000000000000000.000
		1000000000000000000000000000.000 - 2000000000000000000000000000.000	2000000000000000000000000000.000 - 5000000000000000000000000000.000
		2000000000000000000000000000.000 - 5000000000000000000000000000.000	5000000000000000000000000000.000 - 10000000000000000000000000000.000
		5000000000000000000000000000.000 - 10000000000000000000000000000.000	10000000000000000000000000000.000 - 20000000000000000000000000000.000
		10000000000000000000000000000.000 - 20000000000000000000000000000.000	20000000000000000000000000000.000 - 50000000000000000000000000000.000
		20000000000000000000000000000.000 - 50000000000000000000000000000.000	50000000000000000000000000000.000 - 100000000000000000000000000000.000
		50000000000000000000000000000.000 - 100000000000000000000000000000.000	100000000000000000000000000000.000 - 200000000000000000000000000000.000
		100000000000000000000000000000.000 - 200000000000000000000000000000.000	200000000000000000000000000000.000 - 500000000000000000000000000000.000
		200000000000000000000000000000.000 - 500000000000000000000000000000.000	500000000000000000000000000000.000 - 1000000000000000000000000000000.000
		500000000000000000000000000000.000 - 1000000000000000000000000000000.000	1000000000000000000000000000000.000 - 2000000000000000000000000000000.000
		1000000000000000000000000000000.000 - 2000000000000000000000000000000.000	2000000000000000000000000000000.000 - 5000000000000000000000000000000.000
		2000000000000000000000000000000.000 -	

"THIS DRAWING AND SPECIFICATIONS, HEREIN, ARE THE PROPERTY OF DIGITAL EQUIPMENT CORPORATION AND SHALL NOT BE REPRODUCED OR COPIED OR USED IN WHOLE OR IN PART AS THE BASIS FOR THE MANUFACTURE OR SALE OF ITEMS WITHOUT WRITTEN PERMISSION. 1980
 COPYRIGHT © DIGITAL EQUIPMENT CORPORATION"



TITLE	SIZE CODE	NUMBER	REV
POWERED DUAL DRIVE ASSY	B DD	TU58-E	R
SHEET 2 OF 4			



PARTS LIST

QUANTITY / VARIATION

NOTES:

- 1) Item 8 & 12 to be shipped inside Item 9
- 2) Item 16 (Variation Tag) is loose piece and is to be installed on unit adjacent to Serial tag.

DRN. DATE <i>21-JAN-80</i>	DES. ENG. DATE <i>3/26/80</i>	MFG. ENG. DATE <i>3/26/80</i>
CHK'D. DATE <i>3/26/80</i>	RESP. ENG. DATE <i>3/26-80</i>	NEXT HIGHER DOC.

ITEM NO.	DRAWING NO.	PART NO.	DESCRIPTION	QUANTITY / VARIATION												REFERENCE DESIGNATORS	
				TU58-EA	TU58-EB	TU58-EC	TU58-ED										
1	E-UA-TU58-E-Ø	TU58-EX	POWERED DUAL DRIVE ASSY	1	1	-	-										
2		1700083-09	POWER CORD 115V, 6 AMP	-	-	1	1										
3	A-SP-3700490-0-0	3700490-01	PACKAGING INSTRUCTIONS (TU58)	-	-	1	1										
4	B-PL-7016753-0-0	7016753-00	INSTALLATION ASSY (KIT)	-	-	1	1										
5		3615809-00	MEDIA CARTRIDGE, TU58-K	-	-	-	2										
6		MPØ1Ø14	FIELD MAINT. PRINT SET (TU58-E)	-	-	1	1										
7		1700090-00	POWER CORD 270V, 6 AMP	-	-	-	1										
8		23765A9-00	BOOT CHIP	-	-	-	1										
9		9906228-00	SHIPPING BOX, ROM CHIP SET	-	-	-	1										
10		BC2ØY-25	I/O CABLE	-	-	-	1										
11		BC2ØZ-25	I/O CABLE	-	-	-	1										
12		9007207-00	FUSE, 220V, .38A SLOW BLOW	-	-	-	1										
13	E-K-ØTU58-UG-001	EK-ØTU58-UG	USERS GUIDE	-	-	1	1										
14	B-PL-TU58-E-2	TU58-EC	ACCESSORY KIT	1	-	-	-										
15	B-PL-TU58-E-2	TU58-ED	ACCESSORY KIT	-	1	-	-										
16	A-PS-3615946-0-0	3615946-0-0	VARIATION TAG	-	-	1	1										

ECO NO. ML001																
------------------	--	--	--	--	--	--	--	--	--	--	--	--	--	--	--	--

"THIS DRAWING AND SPECIFICATIONS, HEREIN, ARE THE PROPERTY OF DIGITAL EQUIPMENT CORPORATION AND SHALL NOT BE REPRODUCED OR COPIED OR USED IN WHOLE OR IN PART AS THE BASIS FOR THE MANUFACTURE OR SALE OF ITEMS WITHOUT WRITTEN PERMISSION. COPYRIGHT © 1980 DIGITAL EQUIPMENT CORPORATION"	TITLE	ASSY. NO.	SIZE	CODE	NUMBER	REV.
	TU58-E SHIP LIST	TU58-EX	B	PL	TU58-E-2	B
SECTION 1 OF 1			SHEET		OF	

digital

PARTS LIST

QUANTITY / VARIATION

NOTES:

DRN. <i>10-10-79</i>	DES. ENG. <i>OX Gathe</i>	MFG. ENG. <i>Blu Fabite</i>
DATE <i>SEP-19-79</i>	DATE <i>7 JAN 1980</i>	<i>3-26-80</i>
CHK'D. <i>OX Gathe</i>	RESP. ENG. <i>F. Wallis</i>	NEXT HIGHER DOC.
DATE <i>7 JAN 1980</i>	DATE <i>7 JAN 1980</i>	

ITEM NO.	DRAWING NO.	PART NO.	DESCRIPTION	QUANTITY	VARIATION	REFERENCE DESIGNATORS
1		1616062-00	TRANSFORMER, POWER	1		
2		1212170-00	CONTACT FEMALE (SOCKET)	4		
3		1212167-06	CONNECTOR, PLUG, 6 PIN	1		
4		9007930-00	RING TERMINAL RED #10	1		
5	C-MD-7423655-0-0	7423655-00	SHIELD, PROTECTIVE	1		
6		1215905-00	POWER RECEPTACLE AND LINE FILTER	1		
7		1216901-00	DPDT SWITCH (115-230V)	1		
8		1216391-	FUSE HOLDER (20A-300V)	1		
9		1211237-00	FUSE, .750A, 250V, SLO BLOW	1		
10		9107305-02	TUBING, SHRINK (RED)	A/R		
11	D-UA-5413609-0-0	5413609-00	REGULATOR BOARD	1		
12	D-IA-7423654-0-0	7423654-00	BRACKET, POWER SUPPLY	1		
13		9006664-00	WASHER, FLAT #10	1		
14		9006565-00	NUT, KEP #10-32	1		
15		9107560-03	WIRE, BUSS #18 AWG	A/R		
16		9006022-02	SCREW, FLAT, HD, PHL, #6-32 x 3/8	3		
17		9006022-01	SCREW, PAN HD, PHL, 6-32 x 3/8	2		
18		9009280-00	NUT, HEX #4-40	2		
19		9007649-00	WASHER, LOCK EXTERNAL TOOTH #6	2		
20		9006659-00	WASHER, FLAT, #6	2		

ECO NO. INIT. A

"THIS DRAWING AND SPECIFICATIONS, HEREIN, ARE THE PROPERTY OF DIGITAL EQUIPMENT CORPORATION AND SHALL NOT BE REPRODUCED OR COPIED OR USED IN WHOLE OR IN PART AS THE BASIS FOR THE MANUFACTURE OR SALE OF ITEMS WITHOUT WRITTEN PERMISSION. COPYRIGHT © 1980 DIGITAL EQUIPMENT CORPORATION"	TITLE	ASSY. NO.	SIZE	CODE	NUMBER	REV.
	POWER SUPPLY ASSY	D-AD-7017372-0-0	B	PL	7017372-0-0	A
SECTION 1 OF 1			SHEET 1 OF 2			

digital**PARTS LIST**

QUANTITY / VARIATION

NOTES:

DRN. DATE <i>Redmond City</i> 17 SEP 79	DES. ENG. DATE <i>Stadler</i> 7 JAN 80	MFG. ENG. DATE <i>Jr. deBeto</i> 26 MAR 1980
CHK'D. DATE <i>W. G. Gable</i> 7 JAN 80	RESP. ENG. DATE <i>W. G. Gable</i> 7 JAN 80	NEXT HIGHER DOC.

ITEM NO.	DRAWING NO.	PART NO.	DESCRIPTION	QUANTITY	VARIATION	REFERENCE DESIGNATORS
21		9006560-00	NUT, KEP 6-32	4		
22		3616053-00	DECAL, HIGH VOLTAGE	1		
23		9007031-00	TIE, CABLE	2		
24		3615998-00	NEUTRAL, STICKER	1		
25		3612680-01	GROUND STICKER	1		
26		9107410-54	WIRE, STRD., #18 AWG, GRN/YEL	A/R		
27		9107360-11	WIRE, STRD., #18 AWG BROWN	A/R		
28		1216552-00	SWITCH, 250 VAC	1		
29		9107360-99	WIRE, STRD #18 AWG WHITE	A/R		
30		9007970-00	TERM, QUICK CONN RED 22-18 AWG	4		
31		9008268-00	THERMAL COMPOUND	A/R		
32		9006666-00	WASHER, FLAT #8	4		
33		9006563-00	NUT, KEP #8-32	4		

ECO NO.

"THIS DRAWING AND SPECIFICATIONS, HEREIN, ARE THE PROPERTY OF DIGITAL EQUIPMENT CORPORATION AND SHALL NOT BE REPRODUCED OR COPIED OR USED IN WHOLE OR IN PART AS THE BASIS FOR THE MANUFACTURE OR SALE OF ITEMS WITHOUT WRITTEN PERMISSION."
COPYRIGHT © 1980 DIGITAL EQUIPMENT CORPORATION"

TITLE

POWER SUPPLY ASSY

ASSY. NO.

D-AD-7017372-0-0

SECTION 1 OF 1

SIZE

B

CODE

PL

NUMBER

7017372-0-0

SHEET 2 OF 2

REV.

A