

"THE MATERIAL HEREIN IS FOR INFORMATION PURPOSES ONLY AND IS SUBJECT TO CHANGE WITHOUT NOTICE. DIGITAL EQUIPMENT CORPORATION ASSUMES NO RESPONSIBILITY FOR ANY ERRORS WHICH MAY APPEAR HEREIN."

FIELD MAINTENANCE PRINT SET

"THIS DRAWING AND SPECIFICATIONS, HEREIN, ARE THE PROPERTY OF DIGITAL EQUIPMENT CORPORATION AND SHALL NOT BE REPRODUCED OR COPIED OR USED IN WHOLE OR IN PART AS THE BASIS FOR THE MANUFACTURE OR SALE OF ITEMS WITHOUT WRITTEN PERMISSION. COPYRIGHT © 1978 DIGITAL EQUIPMENT CORPORATION."

TABLE OF CONTENTS

FIELD MAINTENANCE PRINT SET
 MODULE UTILIZATION & LED LOCATOR
 RK07 SYSTEM CABLING
 INTERFACE TIMING & STATUS
 FUNCTIONAL BLOCK DIAGRAM
 RK06/7 FLOW CHARTS
 SEEK OPERATION TIMING DIAGRAM
 INTERFACE TIMING
 START UP TIMING
 CYCLE DOWN TIMING
 SECTOR COUNTER TIMING
 DRIVE CONTROL LOGIC
 DRIVE CONTROL LOGIC
 DRIVE CONTROL LOGIC
 INTERFACE & TIMING
 INTERFACE & TIMING
 INTERFACE & TIMING
 SERVO CONTROL
 SERVO CONTROL
 SERVO CONTROL
 SERVO ANALOG
 SERVO ANALOG
 SERVO ANALOG

B-TC-RK07-0-1
 D-MU-RK07-0-4
 D-IC-RK07-0-3
 D-TD-RK07-0-9
 C-BD-RK07-0-10
 D-FD-RK06/7-0-2
 D-TD-RK07-0-5
 D-TD-RK07-0-6
 D-TD-RK07-0-7
 D-TD-RK07-0-8
 D-TD-RK06-0-8
 D-AH-M7705-0-5 (SHT 1 ONLY)
 D-CS-M7705-0-1
 B-PL-M7705-0-0
 D-AH-M7706-0-5 (SHT 1 ONLY)
 D-CS-M7706-0-1
 B-PL-M7706-0-0
 D-UA-M7907-0-5 (SHT 1 ONLY)
 D-CS-M7907-0-1
 B-PL-M7907-0-0
 D-UA-M7906-0-5 (SHT 1 ONLY)
 D-CS-M7906-0-1
 B-PL-M7906-0-0

UNIT VARIATIONS COVERED BY THIS PRINT SET

RK07-AA
 RK07-AB
 RK07-AC
 RK07-AD
 RK07-BA
 RK07-BB
 RK07-BC
 RK07-BD

RK07
Field Maintenance
Print Set

Digital Equipment
Corporation
PRINT SET NO.
MP00576

REVISIONS		CHG. NO.	REV
DATE	2-78	RK07-0002	A
	4-78	ORIGINATED	
		RK07-ML013	B

USED ON OPTION/MODEL		DBN	DATE	digital
RK07		<i>John Hoyle</i>	1 Jan 78	
		CHK'D	DATE	
		<i>[Signature]</i>	12 Jan 78	
		PROJ. ENG.	DATE	
		<i>[Signature]</i>	13 Jan 78	
		FIELD SERV.	DATE	
		<i>[Signature]</i>	19 Jan 78	
SHEET 1 OF 2		TITLE: RK07 DISK DRIVE		
SIZE	CODE	NUMBER	REV.	
B	TC	RK07-0-1	B	
DIST.				

SIZE B
 CODE TC
 NUMBER RK07-0-1
 REV. B

"THIS DRAWING AND SPECIFICATIONS, HEREIN, ARE THE PROPERTY OF DIGITAL EQUIPMENT CORPORATION AND SHALL NOT BE REPRODUCED OR COPIED OR USED IN WHOLE OR IN PART AS THE BASIS FOR THE MANUFACTURE OR SALE OF ITEMS WITHOUT WRITTEN PERMISSION. 1978
 COPYRIGHT © DIGITAL EQUIPMENT CORPORATION"

TRACK POSITION DETECTOR/PLO
 TRACK POSITION DETECTOR/PLO
 TRACK POSITION DETECTOR/PLO
 OPERATORS CONTROL PANEL
 OPERATORS CONTROL PANEL
 OPERATORS CONTROL PANEL
 SERVO PREAMP
 SERVO PREAMP
 SERVO PREAMP
 PHOTO TRANSDUCER PREAMPLIFIER
 RK07 READ/WRITE
 RK07 READ/WRITE
 RK07 READ/WRITE
 H767 POWER SUPPLY
 H767 POWER SUPPLY
 H767 POWER SUPPLY
 POWER SUPPLY CAP BOARD
 RK06 CABLING BOARD
 RK06 CABLING BOARD
 RK06 TRANSITION BOARD
 RK06 TRANSITION BOARD
 AWT REVISION STATUS
 WIRE LIST (SINGLE PORT)
 CIRCUIT SCHEMATIC RK06 BACK PANEL
 CIRCUIT SCHEMATIC SPINDLE BRAKE ASSY
 DUAL PORT LOGIC
 DUAL PORT LOGIC
 DUAL PORT LOGIC
 DUAL PORT LOGIC
 DUAL PORT LOGIC
 AWT REVISION STATUS
 WIRE LIST (DUAL PORT)

D-UA-M7908-0-5 (SHT 1 ONLY)
 D-CS-M7908-0-1
 B-PL-M7908-0-0
 D-AH-5411823-0-5 (SHT 1 ONLY)
 D-CS-5411823-0-1
 A-PL-5411823-0-0
 D-AH-5411687-0-5 (SHT 1 ONLY)
 D-CS-5411687-0-1
 B-PL-5411687-0-0
 D-CS-5411881-0-1
 D-UA-5411060-YA (SHT 1 ONLY)
 D-CS-5411060-YA
 B-PL-5411060-YA
 D-AH-5411042-0-5 (SHT 1 ONLY)
 D-CS-5411042-0-1
 A-PL-5411042-0-0
 D-CS-5411040-0-1
 D-AH-M9016-0-5 (SHT 1 ONLY)
 D-CS-M9016-0-1
 D-AH-5411893-0-5 (SHT 1 ONLY)
 D-CS-5411893-0-1
 A-WT-7012474-0
 K-WL-7012474-0-DBW (COMPLETE)
 D-CS-5411864-0-1
 D-CS-7012940-0-1
 D-UA-M7730-0-0 (SHT 1 ONLY)
 D-CS-M7730-0-1
 D-BD-M7730-0-2
 D-TD-M7730-0-3
 B-PL-M7730-0-0
 A-WT-7012474-1
 K-WL-7012474-1-DBW (COMPLETE)

"THIS DRAWING AND SPECIFICATIONS HEREIN ARE THE PROPERTY OF DIGITAL EQUIPMENT CORPORATION AND SHALL NOT BE REPRODUCED OR COPIED OR USED IN WHOLE OR IN PART AS THE BASIS FOR THE MANUFACTURE OR SALE OF ITEMS WITHOUT WRITTEN PERMISSION. COPYRIGHT © 1977 DIGITAL EQUIPMENT CORPORATION"

NOTES:

- * TWO M7706 BOARDS ONLY USED WITH DUAL ACCESS OPTION, OTHERWISE ONLY ONE IS USED AS FOLLOWS:
IN SLOT 2 WHEN B ACCESS SELECTED.
IN SLOT 3 WHEN A ACCESS SELECTED.
- * DUAL PORT LOGIC BOARD USED WITH DUAL ACCESS OPTION.

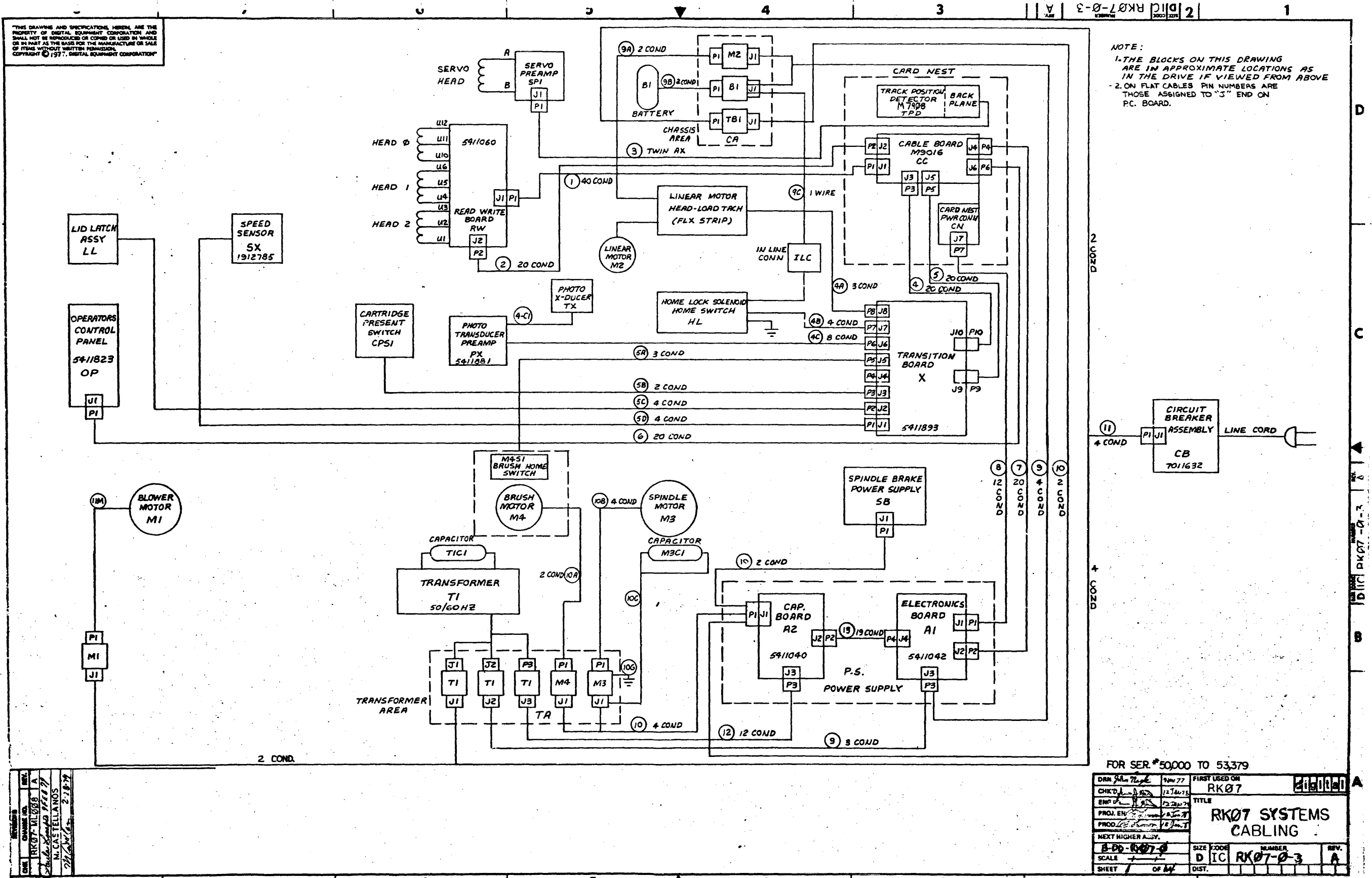
M7908	TRK ERR <input checked="" type="checkbox"/> GAIN	TRK ERR <input checked="" type="checkbox"/> ZERO	M7908					
M7906	RUN <input checked="" type="checkbox"/> MAINT <input checked="" type="checkbox"/> SW2	OFFSET ADJ <input checked="" type="checkbox"/>	VEL ADJ <input checked="" type="checkbox"/>	MAINT <input type="checkbox"/> RUN <input type="checkbox"/> SW1	M7906			
M7907	CLY ADDR	<input type="checkbox"/> 2 ⁹ <input type="checkbox"/> 2 ⁸ <input type="checkbox"/> 2 ⁷ <input type="checkbox"/> 2 ⁶ <input type="checkbox"/> 2 ⁵ <input type="checkbox"/> 2 ⁴ <input type="checkbox"/> 2 ³ <input type="checkbox"/> 2 ² <input type="checkbox"/> 2 ¹ <input type="checkbox"/> 2 ⁰	OFFSET HDS	RTZ	LD HDS	FWD	REV	M7907
M7705	UNLD HDS	BRUSHES	SPEED <input checked="" type="checkbox"/> ADJ	SPEED <input type="checkbox"/> OK	M7705			
M7730*	A <input type="checkbox"/> B <input type="checkbox"/> PORT SEL	A <input type="checkbox"/> B <input type="checkbox"/> PORT REQ	INV <input type="checkbox"/> NORM	PORT B	ADDR SW	M7730*		
M7706*				DR. SEL. A	M7706*			
M7706*				DR. SEL. B	M7706*			
M9016					M9016			

QUANTITY & VARIATION	DESCRIPTION	DWG./PART NO.	ITEM NO.
	UNLESS OTHERWISE SPECIFIED DIMENSIONS ARE IN INCHES		
	ANGLES 30° 30'	CLASS OF ACCURACY	NOMINAL DIMENSION RANGE INCHES
	SURFACE QUALITY IN	(CHECK ONE)	OVER 0 TO 0.25 OVER 0.25 TO 0.5 OVER 0.5 TO 1.2 OVER 1.2 TO 4.0 OVER 4.0 TO 12.0 OVER 12.0 TO 40.0 OVER 40.0 TO 80.0
	MICROINCHES	PREFERRED <input checked="" type="checkbox"/>	±.004 ±.008 ±.012 ±.016 ±.025 ±.04 ±.08 ±.1
THIRD ANGLE PROJECTION	DRN. <i>[Signature]</i> 13 JAN 77	FIRST USED ON	digital
REMOVE BURRS AND BREAK SHARP CORNERS	CHK'G <i>[Signature]</i> 12 JAN 76	TITLE	RK07
DO NOT SCALE DWG	ENG. <i>[Signature]</i> 12 JAN 76	MODULE UTILIZATION	
MATERIAL	PROD. <i>[Signature]</i> 13 JAN 76	LED LOCATOR	
FINISH	NEXT HIGHER ASSY.	SIZE	CODE
	B-DD-RK07-0	D	MURK07-0-4
	SCALE	SHEET	1 OF 1
		DIST.	

REVISIONS
CHANGE NO. REV.

DIGITAL EQUIPMENT CORPORATION
MURK07-0-4

THIS DRAWING AND SPECIFICATIONS HEREIN ARE THE PROPERTY OF DIGITAL EQUIPMENT CORPORATION AND SHALL NOT BE REPRODUCED OR COPIED OR USED IN WHOLE OR IN PART AS THE BASIS FOR THE MANUFACTURE OR SALE OF ITEMS WITHOUT WRITTEN PERMISSION. COPYRIGHT © 1977, DIGITAL EQUIPMENT CORPORATION.



NOTE:
 1. THE BLOCKS ON THIS DRAWING ARE IN APPROXIMATE LOCATIONS AS IN THE DRIVE IF VIEWED FROM ABOVE.
 2. ON FLAT CABLES PIN NUMBERS ARE THOSE ASSIGNED TO "3" END ON P.C. BOARD.

FOR SER #50000 TO 53379

DRAWN BY	DATE	FIRST USED ON	DIGITAL
CHK'D BY	DATE	RK07	
ENGR BY	DATE	TITLE	
PROD. ENGR BY	DATE	RK07 SYSTEMS	
PROD. ENGR BY	DATE	CABLING	
NEXT HIGHER AUTH.			
SCALE	SIZE	CODE	NUMBER
B-D0-RK07-0	D	IC	RK07-0-3
SHEET	OF	DIST.	REV.
1	OF 14		A

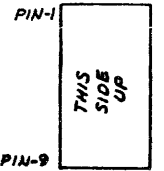
REV.	DATE	BY	DESCRIPTION
1			
2			
3			
4			
5			
6			
7			
8			

THIS DRAWING AND SPECIFICATIONS HEREIN ARE THE PROPERTY OF DIGITAL EQUIPMENT CORPORATION AND SHALL NOT BE REPRODUCED OR COPIED OR USED IN WHOLE OR IN PART AS THE BASIS FOR THE MANUFACTURE OR SALE OF ITEMS WITHOUT WRITTEN PERMISSION OF DIGITAL EQUIPMENT CORPORATION © 1976

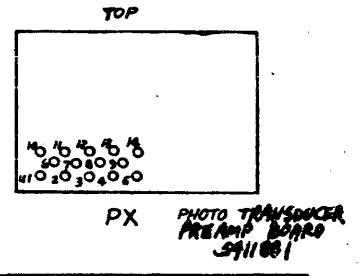
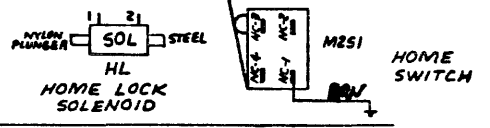
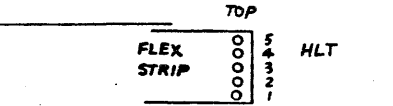
SIGNAL NAME	CABLE CARD (CC) SLOT-1 BACK-PLANE PIN	CABLE NUMBER	R/W-BOARD (RW) CABLE CONN-PIN	REMARKS
GND-C	J1/P1-A	① 40 COND R/W (GREY)	P1/J1-UU	FOR R/W BOARD CONN LAYOUT SEE SHEET 5 FIG 1
GND-C	J1/P1-B		P1/J1-VV	
CYL-ADD 7 H	DN2 J1/P1-C		P1/J1-TT	
CYL-ADD 6 H	DP2 J1/P1-D		P1/J1-SS	
	J1/P1-E		P1/J1-RR	
CYL-ADD 8 H	DR1 J1/P1-F		P1/J1-PP	
+5B	DA2 J1/P1-H		P1/J1-UU	
+5B	DA2 J1/P1-J		P1/J1-MM	
+25B	DE2 J1/P1-K		P1/J1-LL	
+25B	DE2 J1/P1-L		P1/J1-KK	
GND-C	J1/P1-M		P1/J1-JJ	
	J1/P1-N		P1/J1-HH	
GND-C	J1/P1-P		P1/J1-FF	
WR DATA L	DS2 J1/P1-R		P1/J1-EE	
GND-C	J1/P1-S		P1/J1-DD	
WR GATE L	DU2 J1/P1-T		P1/J1-CC	
ALIGN SIGN	DM1 J1/P1-U		P1/J1-BB	
ALIGN SIGN	DN1 J1/P1-V		P1/J1-AA	
SET CURR FAULT	DM2 J1/P1-W		P1/J1-Z	
SET HD FAULT L	DV1 J1/P1-X		P1/J1-Y	
SET MGT HD L	DL2 J1/P1-Y	P1/J1-X		
	J1/P1-Z	P1/J1-W		
GND-B	J1/P1-AA	P1/J1-V		
-15V	DB2 J1/P1-BB	P1/J1-U		
SET NO TRNS L	DK2 J1/P1-CC	P1/J1-T		
SET NO TRNS L	DK2 J1/P1-DD	P1/J1-S		
UNS TST	DJ2 J1/P1-EE	P1/J1-R		
	J1/P1-FF	P1/J1-P		
GND-B	J1/P1-HH	P1/J1-N		
+15V	DD2 J1/P1-JJ	P1/J1-M		
+25A	DE2 J1/P1-KK	P1/J1-L		
+25A	DE2 J1/P1-LL	P1/J1-K		
+5A	DA2 J1/P1-MM	P1/J1-J		
+5A	DA2 J1/P1-NN	P1/J1-H		
	J1/P1-PP	P1/J1-G		
HDB L	DE1 J1/P1-RR	P1/J1-F		
HDI L	DH2 J1/P1-SS	P1/J1-E		
HDZ L	DF2 J1/P1-TT	P1/J1-D		
GND A	J1/P1-UU	P1/J1-C		
GND A	J1/P1-VV	P1/J1-B		
		P1/J1-A		

SIGNAL NAME	CABLE CARD (CC) SLOT-1 BACK-PLANE PIN	CABLE NUMBER	R/W-BOARD (RW) CABLE CONN-PIN	REMARKS
+15	DD2 J2/P2-A	② 20 COND R/W (GREY)	P2/J2-X	FOR R/W BOARD CONN LAYOUT SEE SHEET 5 FIG 1
+15	DD2 J2/P2-B		P2/J2-W	
GND D	J2/P2-C		P2/J2-V	
GND D	J2/P2-D		P2/J2-U	
-5	DR2 J2/P2-E		P2/J2-T	
-5	DR2 J2/P2-F		P2/J2-S	
GND	J2/P2-G		P2/J2-R	
GND	J2/P2-H		P2/J2-Q	
+5C	DA2 J2/P2-I		P2/J2-P	
+5C	DA2 J2/P2-J		P2/J2-N	
GND-D	J2/P2-K		P2/J2-M	
GND-D	J2/P2-L		P2/J2-L	
GND-D	J2/P2-M		P2/J2-K	
GND-D	J2/P2-N		P2/J2-J	
WR-GATE-L	CV1 J2/P2-O		P2/J2-I	
GND-D	J2/P2-P		P2/J2-H	
RD DATA 2 L	CU2 J2/P2-Q		P2/J2-G	
GND D	J2/P2-R		P2/J2-F	
RD DATA 1 L	CU1 J2/P2-S		P2/J2-E	
GND D	J2/P2-T		P2/J2-D	
GND D	J2/P2-U	P2/J2-C		
GND D	J2/P2-V	P2/J2-B		
GND D	J2/P2-W	P2/J2-A		
GND D	J2/P2-X			

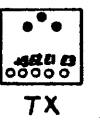
SIGNAL NAME	SERVO PREAMP (SPA) PIN	WIRE COLOR	CABLE NUMBER	M7708 BACK PLANE PIN TPD	REMARKS
+15V	SPI-J1/P1-2	ORN	③ TWIN AX SERVO PREAMP	SLOT 8 CD2	DRAIN
GND	SPI-J1/P1-3	BLK		SLOT 8 CC2	
SVO PRE B	SPI-J1/P1-4	BLU		SLOT 8 DP2	
SVO PRE COM	SPI-J1/P1-5	WHT		SLOT 8 DMT	
SVO PRE A	SPI-J1/P1-6	CLEAR		SLOT 8 DJ2	



SIGNAL NAME	CABLE CARD (CC) SLOT-1 BACK-PLANE PIN	CABLE NUMBER	TRANSITION BOARD (X)		WIRE COLOR	CABLE NUMBER	TERMINAL	REMARKS
			CONN	CONN				
HD LD #2 (BUCKING)	CR2	J3/P3-A	P10/J10-X	J8/P8-1	YEL	④-A 3 COND HEAD LOAD TACH	HLT-5	FLEX STRIP 000001
HD LD COMMON	CS2	J3/P3-B	P10/J10-W	J8/P8-3	GRY		HLT-4	
HD LD #1 (TACH)	CP2	J3/P3-C	P10/J10-V	J8/P8-2	GRN		HLT-3	
GND		J3/P3-D	P10/J10-U	J8/P8-4	-			
HOME L	CN2	J3/P3-E	P10/J10-T	J7/P7-1	ORN	④-B 4 COND HOME SW HOME LOCK	HLM251-4	HOME SWITCH M251
+25V	CE2	J3/P3-F	P10/J10-S	J7/P7-3	VIO		HLSOL-1	
HOME LOCK RELEASE L	CM2	J3/P3-H	P10/J10-R	J7/P7-2	YEL		HLSOL-2	
GND		J3/P3-J	P10/J10-P	J7/P7-4	BLK		HLM251-3	
LIM PA	CL2	J3/P3-K	P10/J10-N	J6/P6-8	VIO	④-C 8 COND PHOTO TRANSDUCER	PXU12	PHOTO TRANSDUCER PREAMP BOARD S911001
GND		J3/P3-L	P10/J10-M	J6/P6-1	-		PXU9	
+COS PA	CK2	J3/P3-M	P10/J10-L	J6/P6-10	GRN		PXU14	
GND		J3/P3-N	P10/J10-K	J6/P6-3	-			
-SIN PA	CJ2	J3/P3-P	P10/J10-J	J6/P6-9	YEL			
GND		J3/P3-Q	P10/J10-I	J6/P6-6	-			
+15V	CD2	J3/P3-S	P10/J10-F	J6/P6-6	ORN		PXU4	
LED CATHODE	CH1	J3/P3-U	P10/J10-E	J6/P6-7	WHT		PXU6	
-15V	CB2	J3/P3-V	P10/J10-D	J6/P6-4	BLU		PXU8	
GLASS XDR COM (GND)	CF1	J3/P3-W	P10/J10-C	J6/P6-5	BLK		PXU1	
+5V	CA2	J3/P3-X	P10/J10-A	J6/P6-2	RED	PXU2		



SIGNAL NAME	PHOTO TRANSDUCER PREAMP (PX) PIN	WIRE COLOR	CABLE NUMBER	TRANSDUCER ASSEMBLY (TX)	REMARKS
SIN X (E1)	PX-U5	YEL	④-C 6 WIRES (PART OF PHOTO TRANS ASSY)	TX-E1	
-COS X (E2)	PX-U13	GRN		TX-E2	
LIM-X (E3)	PX-U3	VIO		TX-E3	
PHOTO DIODE CATH (H9)	PX-U11	BRN		TX-+5	
LED ANODE (+5V)	PX-U17	RED		TX-AN	
LED CATHODE	PX-U10	WHT		TX-CA	

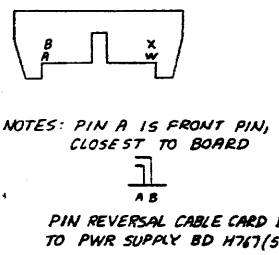


CHK	CHANGE NO.	REV.

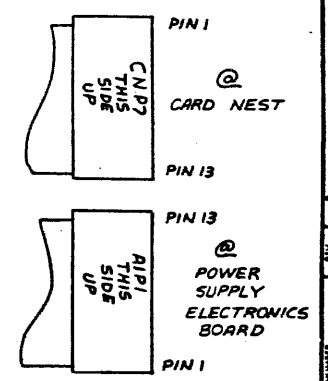
THIS DRAWING AND SPECIFICATIONS HEREIN ARE THE PROPERTY OF DIGITAL EQUIPMENT CORPORATION AND SHALL NOT BE REPRODUCED OR COPIED OR USED IN WHOLE OR IN PART AS THE BASIS FOR THE MANUFACTURE OR SALE OF ITEMS WITHOUT WRITTEN PERMISSION. COPYRIGHT © 1977 DIGITAL EQUIPMENT CORPORATION

SIGNAL NAME	CABLE CARD (CC) SLOT-1		CABLE NUMBER	TRANSITION BOARD (X)		WIRE COLOR	CABLE NUMBER	TERMINAL	REMARKS
	BACK-PLANE PIN	CABLE CONN-PIN		CONN	CONN				
BRUSH HOME SW L BRUSH HOME SW H GND	BN2 BP2 BM2	J5/P5-A J5/P5-B J5/P5-C J5/P5-D	5	P9/J9-X P9/J9-W P9/J9-V P9/J9-U	J5/P5-1 J5/P5-3 J5/P5-2 J5/P5-4	BLU YEL BLK	5-A 3 COND BRUSH HOME SW	M451-NO M451-NC M451-COM	BRUSH HOME SWITCH
DR IN PLACE SOL L +25V DR IN PLACE L GND	BL2 BE2 BK2	J5/P5-E J5/P5-F J5/P5-H J5/P5-J	20 COND (GREY)	P9/J9-T P9/J9-S P9/J9-R P9/J9-P	J4/P4-2 J4/P4-3 J4/P4-1 J4/P4-4	NOT USED	NOT USED		
CART PRES L GND	BJ2 BH2	J5/P5-K J5/P5-L J5/P5-M J5/P5-N	CHASSIS AREA SEE PAGE 5 FIG 5	P9/J9-N P9/J9-M P9/J9-L P9/J9-K	J3/P3-3 J3/P3-4 J3/P3-1 J3/P3-2	BLU BLK	5-B 2 COND CART. PRESENT	CPS1-NO CPS1-COM	CARTRIDGE PRESENT SWITCH
LID LOCKED L GND +25V LID LOCKED SOL-L	BF2 BE2 BE1	J5/P5-P J5/P5-R J5/P5-S J5/P5-T	FOR CABLE CARD CONN LAYOUT FIG 4 FOR TRANSITION BOARD CONN LAYOUT	P9/J9-J P9/J9-H P9/J9-F P9/J9-E	J2/P2-3 J2/P2-2 J2/P2-4 J2/P2-1	BLU BLK VIO YEL	5-C 4 COND LID LOCK	LLS1-NO LLS1-COM LLSOL-1 LLSOL-2	LIDLOCK SOLENOID LIDLOCK SWITCH
SPINDLE SPEED GND LED CATHODE LED ANODE (+5)	BC1 BB1 BA1	J5/P5-U J5/P5-V J5/P5-W J5/P5-X	BOARD CONN LAYOUT	P9/J9-D P9/J9-C P9/J9-B P9/J9-A	J1/P1-4 J1/P1-2 J1/P1-3 J1/P1-1	BRN YEL BLK RED	5-D 4 COND SPEED TRANS.	SX-2 SX-1 SX-3 SX-4	SPEED SWITCH

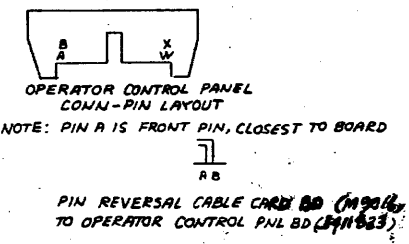
SIGNAL NAME	CABLE CARD (CN) SLOT 1		CABLE NUMBER	POWER SUPPLY ELECTRONICS BOARD (PSA) CONN PIN	REMARKS
	BLACK-PLANE PIN	CABLE CONN PIN			
EMITTER TEST PT SPARE AC LOW L GND SPINDLE ON L GND CN BRUSHES L GND SPINDLE BRAKE L GND REMOTE SENSE C GND CURRENT COMMAND GND REMOTE SENSE A GND (UNUSED) REMOTE SENSE B GND (UNUSED) DC LOW L GND	BJ1 BV1 CE1 CD1 CC1 CB1 CA1 BV2 BU2 BS2 BR2	J4/P4-A J4/P4-B J4/P4-C J4/P4-D J4/P4-E J4/P4-F J4/P4-H J4/P4-J J4/P4-L J4/P4-M J4/P4-N J4/P4-P J4/P4-R J4/P4-S J4/P4-T J4/P4-U J4/P4-V J4/P4-W J4/P4-X	7 20 COND POWER SUPPLY SIGNAL (GREY)	AI-P2/J2-X AI-P2/J2-W AI-P2/J2-Y AI-P2/J2-U AI-P2/J2-T AI-P2/J2-S AI-P2/J2-R AI-P2/J2-P AI-P2/J2-N AI-P2/J2-M AI-P2/J2-L AI-P2/J2-K AI-P2/J2-J AI-P2/J2-I AI-P2/J2-H AI-P2/J2-F AI-P2/J2-E AI-P2/J2-D AI-P2/J2-C AI-P2/J2-B AI-P2/J2-A	SEE PAGE 5 FIG 5 FOR CABLE CARD CONN PIN LAYOUT. FIG 3 FOR POWER SUPPLY ELECT BOARD (AI) CONN LAYOUT



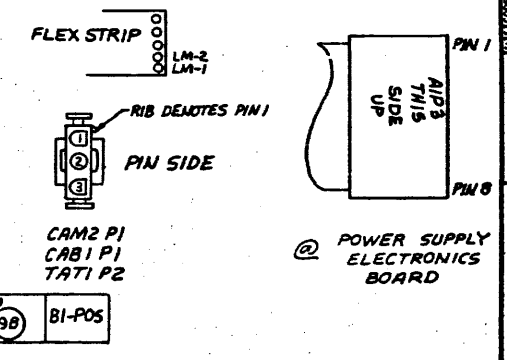
SIGNAL NAME	POWER SUPPLY (PS)	WIRE COLOR	CABLE NUMBER	CARD NEST POWER (CN)	REMARKS
+5V +5V +5V +5V +25V +5V GND GND GND GND -5V -5V	AIJ1/P1-1 AIJ1/P1-2 AIJ1/P1-3 AIJ1/P1-4 AIJ1/P1-5 AIJ1/P1-6 AIJ1/P1-7 AIJ1/P1-8 AIJ1/P1-9 AIJ1/P1-10 AIJ1/P1-11 AIJ1/P1-12	RED RED RED RED VIO ORN BLK BLK BLK BLK BLU GRN	8 12 COND DC POWER	CNP7/J7-1 CNP7/J7-2 CNP7/J7-3 CNP7/J7-4 CNP7/J7-5 CNP7/J7-6 CNP7/J7-7 CNP7/J7-8 CNP7/J7-9 CNP7/J7-10 CNP7/J7-11 CNP7/J7-12	



SIGNAL NAME	CABLE CARD (CN) SLOT-1		CABLE NUMBER	OPERATOR CONTROL PANEL (CP) CONN-PIN	REMARKS
BACK-PLANE PIN	CABLE CONN-PIN				
UB L UI L UZ L RUN (I) H WRL (I) L STOPPED LITE H QUAL L GND RUN SW L GND +5 +5 READY (O) H FAULT L SW EN B L SW EN A H WR PROT SW L UNUSED DR SEL A DR SEL B	AR2 AS2 AP2 AU2 AN2 AV2 AM2 AL2 AR2 AR2 AR2 AB1 AJ2 AC1 AH2 AF2 AE2	J6/P6-A J6/P6-B J6/P6-C J6/P6-D J6/P6-E J6/P6-F J6/P6-G J6/P6-H J6/P6-I J6/P6-J J6/P6-K J6/P6-L J6/P6-M J6/P6-N J6/P6-O J6/P6-P J6/P6-Q J6/P6-R J6/P6-S J6/P6-T J6/P6-U J6/P6-V J6/P6-W J6/P6-X	6 20 COND OPER CONTROL PANEL (GREY)	P1/J1-X P1/J1-W P1/J1-V P1/J1-T P1/J1-S P1/J1-R P1/J1-P P1/J1-M P1/J1-L P1/J1-K P1/J1-J P1/J1-I P1/J1-H P1/J1-F P1/J1-E P1/J1-D P1/J1-C P1/J1-B P1/J1-A	SEE PAGE 5 FIG 5 FOR CABLE CARD CONN LAYOUT



SIGNAL NAME	POWER SUPPLY (PS)	WIRE COLOR	CABLE NUMBER	CONN. * CHASSIS AREA (CA) TRANSFORMER AREA (TA)	WIRE COLOR	CABLE NUMBER	TERMINAL	REMARKS
UN MTR - RET LINEAR MOTOR BATTERY + BATTERY - 13V RMS 13V RMS GND HOME SWITCH	AIJ3/P3-1 AIJ3/P3-2 AIJ3/P3-3 AIJ3/P3-4 AIJ3/P3-6 AIJ3/P3-7 AIJ3/P3-8 HLM25HNC2	RED RED BRN BLK YEL YEL BLK GRN**	9 POWER SUPPLY 9 COND (3 BRANCHES) SEE NOTE 1 9-C	CAB1/P1-3 CAB1/P1-1 CAB1/P1-2 TATI/J2/P2-1 TATI/J2/P2-2 TATI/J2/P2-3 CAB1/P1-2	BRN BRN BLK YEL YEL YEL/BLK BRN	9A 9-B 9-7 JUMPER	LM-2 LM-1 BI-POS BI-NEG TRANSFORMER TRANSFORMER TRANSFORMER CAB1/P1	



NOTE 1. SEE PAGE 5 FIGURE 3 FOR POWER SUPPLY ELECTRONIC BOARD AI CONN LAYOUT.
* SEE PAGE 5 FIGURE 6 FOR CA AREA LAYOUT, FIGURE 7 FOR TA AREA LAYOUT.

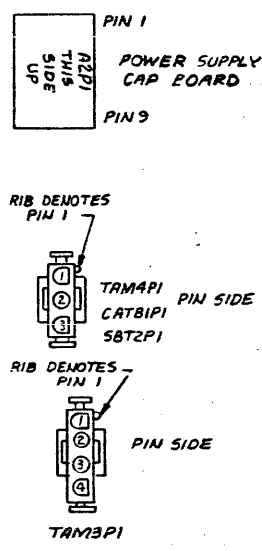
** INLINE CONNECTOR (ILC) IN RUN TO FACILITATE REMOVAL OF BASE PLATE/HOMELOCK ASSY

FOR SER.# 50,000 TO 53,379

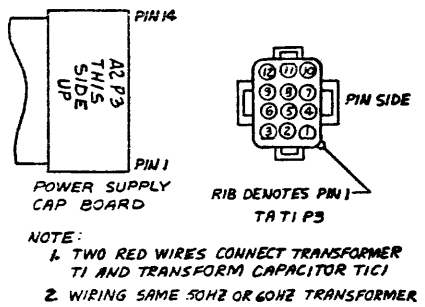
REV.	CHG.	NO.	REV.

THIS DRAWING AND SPECIFICATIONS HEREIN ARE THE PROPERTY OF DIGITAL EQUIPMENT CORPORATION AND SHALL NOT BE REPRODUCED OR COPIED OR USED IN WHOLE OR IN PART AS THE BASIS FOR THE MANUFACTURE OR SALE OF ITEMS WITHOUT WRITTEN PERMISSION. COPYRIGHT © 1977 DIGITAL EQUIPMENT CORPORATION

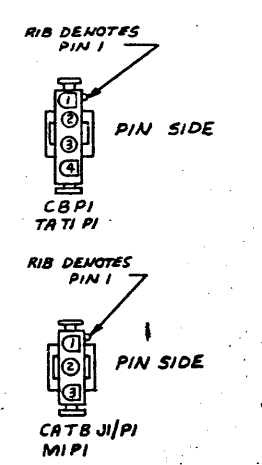
SIGNAL NAME	POWER SUPPLY (PS)	WIRE COLOR	CABLE NUMBER	CONN * TA SB CA	WIRE COLOR	CABLE NUMBER	REMARKS
BRUSH MOTOR (HOT) [10V]	AZP1/J1-1	RED	10	TAMAJ1/PI-1	BLK	10-A	BRUSH MOTOR
BRUSH MOTOR (LOW) [NEUT]	AZP1/J1-2	WHT		TAMAJ1/PI-3	BLK		
SPINDLE BRAKE PS. [110V]	AZP1/J1-3	RED	9 COND 4 BRANCHES	SBP1/J1-1			SPINDLE BRAKE POWER SUPPLY
SPINDLE BRAKE PS. [NEUT]	AZP1/J1-4	WHT		SBP1/J1-2			
SPINDLE MOTOR (LOW)	AZP1/J1-5	WHT	MOTOR AND AC	TAM3J1/PI-2	RED	10-B	SPINDLE MOTOR
SPINDLE MOTOR (HOT)	AZP1/J1-6	RED		TAM3J1/PI-1	BLU		
110VAC (HOT)	AZP1/J1-7	RED	SEE PAGES FIG 2 FOR PWR SUPPLY CAP BOARD (A2) CONN LAYOUT	CATB1PI-1			AC-IN SEE ITEM FOR SOURCE 11
110VAC (NEUT)	AZP1/J1-8	WHT		CATB1PI-3			
12V BRAKE VOLT	AZP1/J1-9	BLU		SBP1/J1-3			SPINDLE BRAKE POWER SUPPLY
SPINDLE MOTOR CAP-N	M3C-2	WHT	10-C	TAM3J1/2	WHT	10-B	SPINDLE MOTOR CAP
SPINDLE MOTOR CAP-M	M3C-1	BLK		TAM3J1/3	BLK		
GND (CHASSIS)	CHASSIS	GRN/YEL	106	TAM3J1/PI-4	GRN/YEL		SPINDLE MOTOR CHASSIS



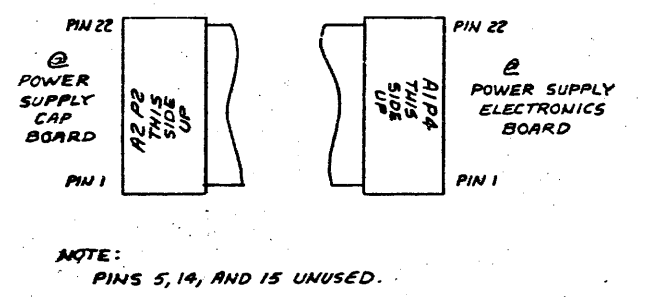
SIGNAL NAME	POWER SUPPLY (PS)	WIRE COLOR	CABLE NUMBER	TRANSFORMER AREA (TA) *	WIRE COLOR	CABLE NUMBER	REMARKS
+10V COMMON	AZJ3/P3-1	BLK	12 COND	TATIJ3/P3-1	BLU/WHT	12-T	SEE PAGE 5 FIG 3 FOR POWER SUPPLY ELEC BOARD (A2) CONN LAYOUT
+10V COMMON	AZJ3/P3-2	BLK		TATIJ3/P3-2	BLU/WHT		
+25V COMMON	AZJ3/P3-3	BLU		TATIJ3/P3-3	ORN/WHT		
+25V COMMON	AZJ3/P3-4	BLU		TATIJ3/P3-4	GRN/WHT		
57V RMS	AZJ3/P3-7	GRN		TATIJ3/P3-5	GRN/BLK		
37V RMS	AZJ3/P3-8	GRN		TATIJ3/P3-6	GRN/BLK		
37V RMS	AZJ3/P3-5	BLK		TATIJ3/P3-7	GRN		
37V RMS	AZJ3/P3-10	BLK		TATIJ3/P3-8	GRN		
13V RMS	AZJ3/P3-11	WHT		TATIJ3/P3-9	BLU/BLK		
13V RMS	AZJ3/P3-12	WHT		TATIJ3/P3-10	BLU/BLK		
13V RMS	AZJ3/P3-13	GRN		TATIJ3/P3-11	BLU		
13V RMS	AZJ3/P3-14	GRN		TATIJ3/P3-12	BLU		



SIGNAL NAME	CIRCUIT BREAKER (CB)	WIRE COLOR	CABLE NUMBER	CONN * TRANSFORMER-TR CHASSIS ASSY- CA BLOWER MOTOR-MI	WIRE COLOR	CABLE NUMBER	REMARKS
110VAC (HOT)	CBJ1/PI-1	RED	11 4 COND (3 BRANCHES) A.C.	TATIJ1/PI-1	BRN	11T	TRANSFORMER PRIMARY
110VAC (NEUT)	CBJ1/PI-2	WHT		TATIJ1/PI-2	BRN/WHT		
110VAC (HOT)	CBJ1/PI-3	RED		TATIJ1/PI-3	BLK		
110VAC (NEUT)	CBJ1/PI-4	WHT		TATIJ1/PI-4	BLK/WHT		
110VAC (HOT)	CBJ1/PI-1	RED		CATB1J1-1	SEE ITEM 10 FOR CONTINUATION		
110VAC (NEUT)	GBJ1/PI-2	WHT		CATB1J1-3			
110VAC (HOT)	CBJ1/PI-3	RED		MIJ1/PI-1	RED	11M	BLOWER MOTOR
111VAC (NEUT)	CBJ1/PI-4	WHT		MIJ1/PI-3	WHT		



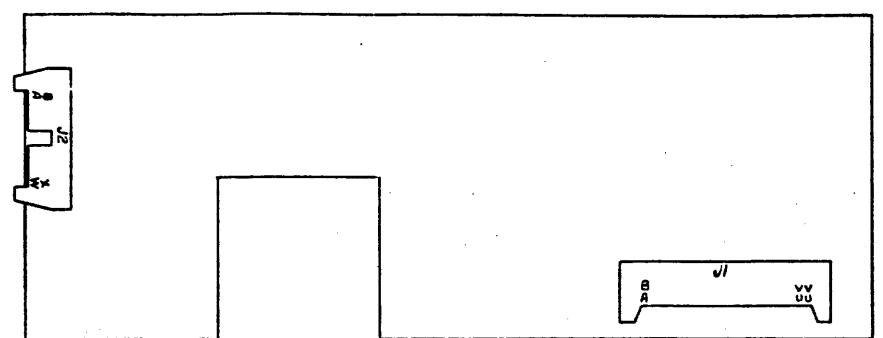
SIGNAL NAME	POWER SUPPLY (PS)	WIRE COLOR	CABLE NUMBER	POWER SUPPLY (PS)	REMARKS
+10V	AIP4/J4-1	YEL	13 COND	AZJ2/P2-1	SEE PAGE 5 FIG 2 FOR P.S. CAP BOARD (A2) CONN LAYOUT
+10V	AIP4/J4-2	YEL		AZJ2/P2-2	
+10V	AIP4/J4-3	YEL		AZJ2/P2-3	
+10V	AIP4/J4-4	YEL		AZJ2/P2-4	
BATTERY-	AIP4/J4-6	BRN		AZJ2/P2-6	
LINEAR MOTOR PWR	AIP4/J4-7	VIO		AZJ2/P2-7	
LINEAR MOTOR DRIVER	AIP4/J4-8	GRY		AZJ2/P2-8	
-10V	AIP4/J4-9	BRN		AZJ2/P2-9	
-25V	AIP4/J4-10	GRY		AZJ2/P2-10	
-25V	AIP4/J4-11	GRY		AZJ2/P2-11	
+25V	AIP4/J4-12	VIO		AZJ2/P2-12	
+25V	AIP4/J4-13	VIO		AZJ2/P2-13	
GND	AIP4/J4-16	BLK		AZJ2/P2-16	
GND	AIP4/J4-17	BLK	AZJ2/P2-17		
GND	AIP4/J4-18	BLK	AZJ2/P2-18		
GND	AIP4/J4-19	BLK	AZJ2/P2-19		
SPINDLE BRAKE L	AIP4/J4-20	RED	AZJ2/P2-20		
EN BRUSHES L	AIP4/J4-21	RED	AZJ2/P2-21		
SPINDLE ON L	AIP4/J4-22	RED	AZJ2/P2-22		



* SEE PAGE 5 FIG 6 FOR CA CONN LAYOUT
FIG 7 FOR TA CONN LAYOUT

REV.	CHANGE NO.	REV.

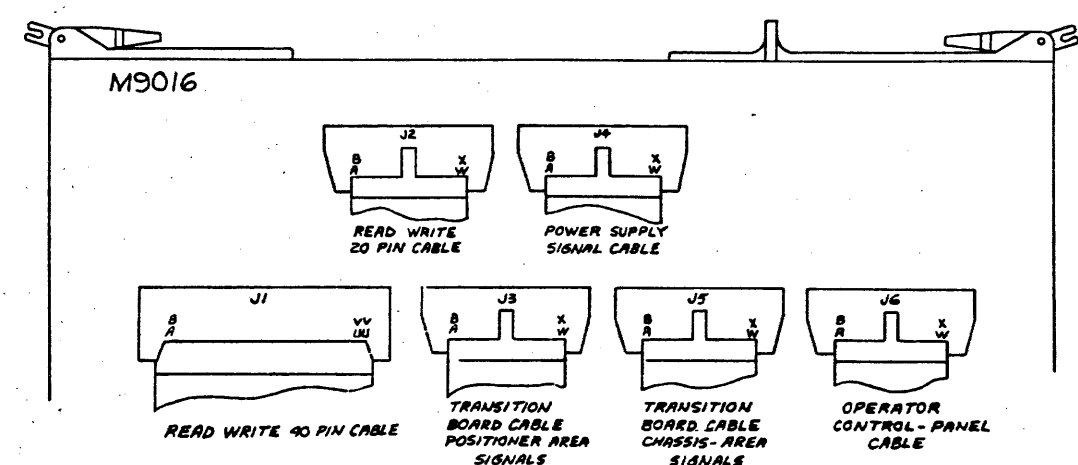
THIS DRAWING AND SPECIFICATIONS HEREIN ARE THE PROPERTY OF DIGITAL EQUIPMENT CORPORATION AND SHALL NOT BE REPRODUCED OR COPIED OR USED IN WHOLE OR IN PART AS THE BASIS FOR THE MANUFACTURE OR SALE OF ITEMS WITHOUT WRITTEN PERMISSION. COPYRIGHT © 1977 DIGITAL EQUIPMENT CORPORATION



R/W BOARD CONNECTOR LABELING

FIG. 1

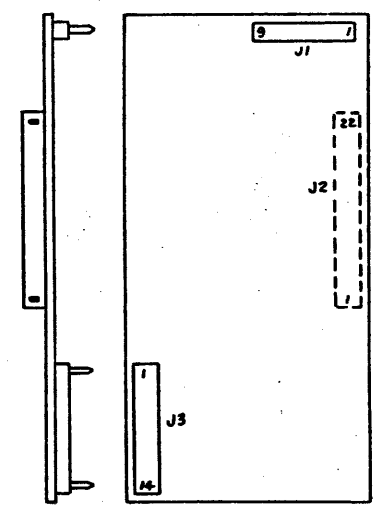
NOTE:
1. PIN A FRONT PIN, CLOSEST TO BOARD



CABLE CARD

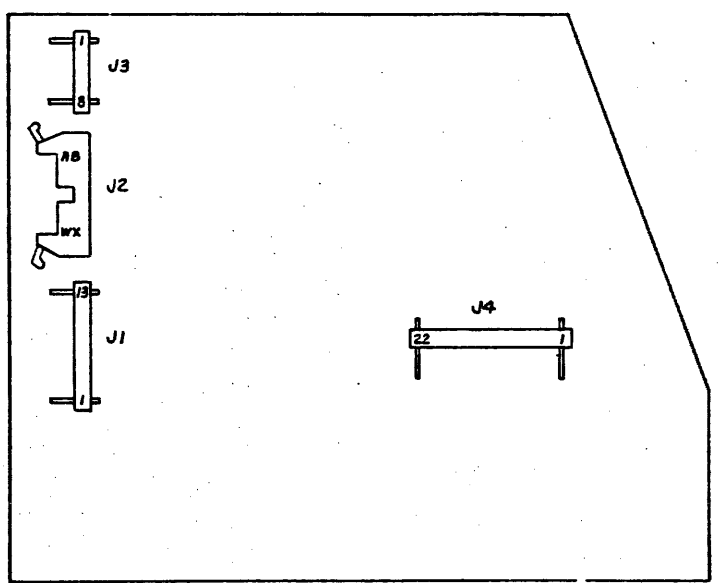
FIG. 5

NOTE:
PIN A IS FRONT PIN, CLOSEST TO BOARD



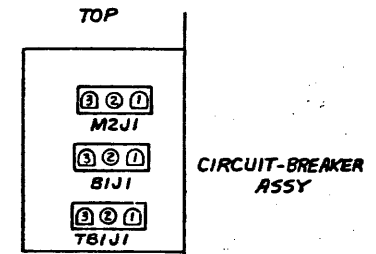
POWER SUPPLY CAP BOARD
A2

FIG. 2

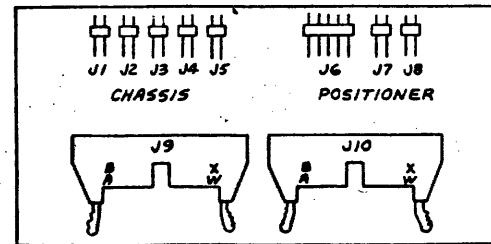
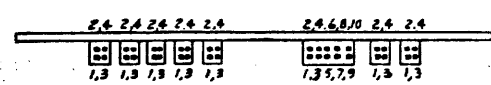


H767 POWER SUPPLY BOARD
A1

FIG. 3



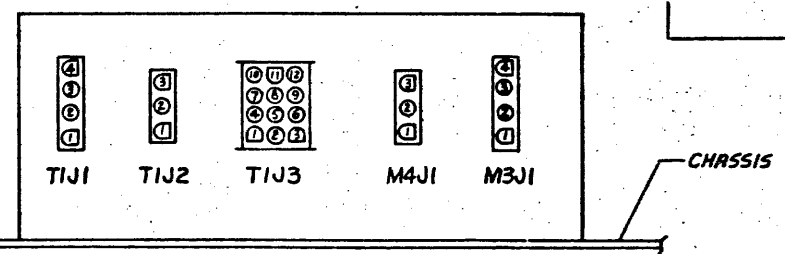
CHASSIS AREA CONN
CA
(PIN VIEW)
FIG. 6



TRANSITION BOARD

FIG. 4

NOTE:
PIN A IS FRONT PIN
CLOSEST TO BOARD



TRANSFORMER AREA CONNECTORS

TA

PIN VIEW

FIG. 7

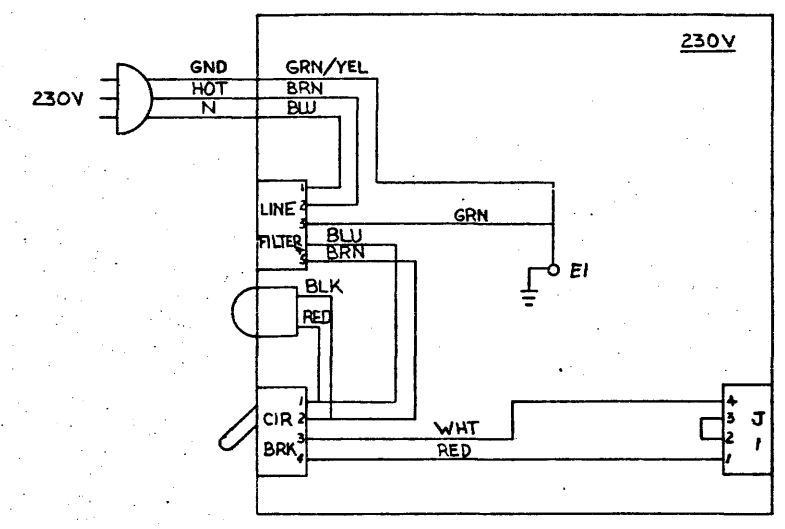
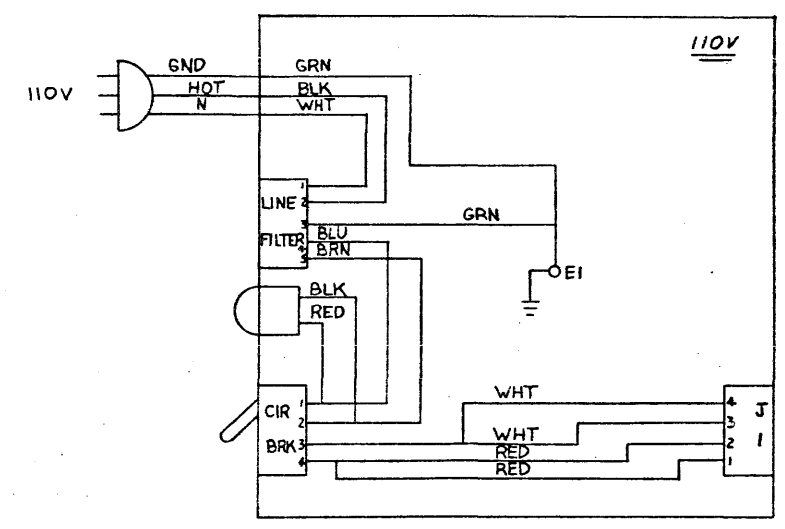
FOR SER #50000 TO 53379

REVISIONS		
CHK	CHANGE NO.	REV.

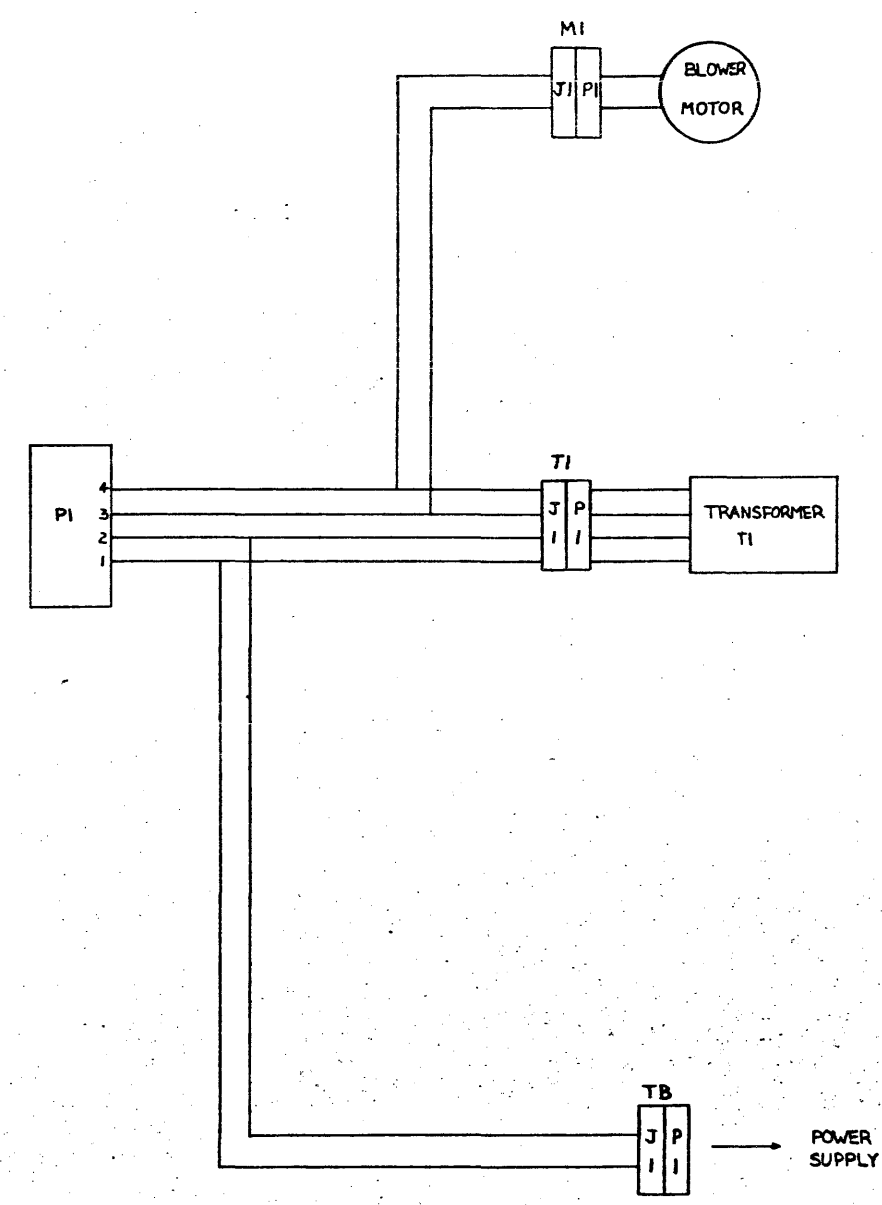
TITLE	RK07 SYSTEMS CABLING	SIZE/CODE	D I C	NUMBER	RK07-0-3	REV.	A
SCALE		SHEET	5	OF	14	DIST.	

D I C R K 0 7 - 0 - 3

THIS DRAWING AND SPECIFICATIONS HEREIN ARE THE PROPERTY OF DIGITAL EQUIPMENT CORPORATION AND SHALL NOT BE REPRODUCED OR COPIED OR USED IN WHOLE OR IN PART AS THE BASIS FOR THE MANUFACTURE OR SALE OF ITEMS WITHOUT WRITTEN PERMISSION. COPYRIGHT © 1977 DIGITAL EQUIPMENT CORPORATION



CIRCUIT BREAKER ASSY



REVISIONS		
CHK	CHANGE NO.	REV.

FOR 50,000 TO 53,379

TITLE	RK07 SYSTEMS CABLING	SIZE CODE	D IC	NUMBER	RK07-0-3	REV.	A
SCALE	1/1	SHEET	6	OF 14	DIST.		

D
 C
 B
 A

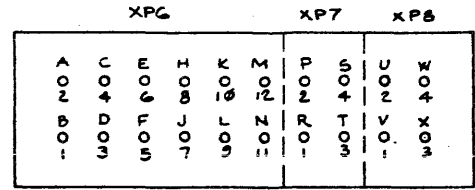
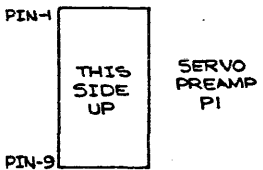
↑

RK07-0-3

THIS DRAWING AND SPECIFICATIONS HEREIN ARE THE PROPERTY OF DIGITAL EQUIPMENT CORPORATION AND SHALL NOT BE REPRODUCED OR COPIED OR USED IN WHOLE OR IN PART AS THE BASIS FOR THE MANUFACTURE OF SALE OR ITEMS WITHOUT WRITTEN PERMISSION. COPYRIGHT © 1971 DIGITAL EQUIPMENT CORPORATION.

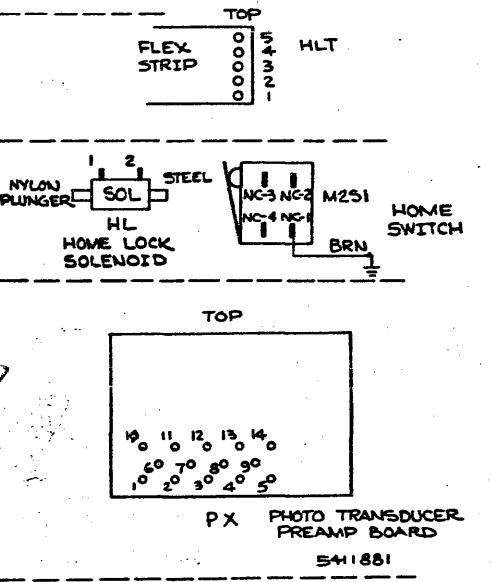
SIGNAL NAME	CABLE CARD (CC) SLOT-1		CABLE NUMBER	R/W BOARD (RW) CABLE CONN PIN		REMARKS
	BACK-PLANE PIN	CABLE CONN PIN		CABLE CONN PIN	CABLE CONN PIN	
GND C		J1/PI-A	① 4Ø COND R/W (GREY)	P1/J1-UU	FOR R/W BOARD CONN LAYOUT SEE SHEET 5 FIG. 1	
GND C		J1/PI-B		P1/J1-VV		
CYL ADD 7H	DN2	J1/PI-C		P1/J1-TT		
CYL ADD 6H	DP2	J1/PI-D		P1/J1-SS		
		J1/PI-E		P1/J1-RR		
CYL ADD 8H	DR1	J1/PI-F		P1/J1-PP		
+5B	DA2	J1/PI-H		P1/J1-NN		
+5B	DA2	J1/PI-J		P1/J1-MM		
+25B	DE2	J1/PI-K		P1/J1-LL		
+25B	DE2	J1/PI-L		P1/J1-KK		
GND C		J1/PI-M		P1/J1-JJ		
GND C		J1/PI-N		P1/J1-HH		
WR DATA L	DS2	J1/PI-P		P1/J1-FF		
GND C		J1/PI-S		P1/J1-EE		
WR GATE L	DV2	J1/PI-T		P1/J1-DD		
ALIGN SIGN+	DM1	J1/PI-U		P1/J1-CC		
ALIGN SIGN-	DN1	J1/PI-V		P1/J1-BB		
SET CURR FAULT	DM2	J1/PI-W		P1/J1-AA		
SET HD FAULT L	DV1	J1/PI-X		P1/J1-ZZ		
SET MULT HD L	DL2	J1/PI-Y		P1/J1-YY		
		J1/PI-Z	P1/J1-WW			
GND B		J1/PI-AA	P1/J1-VV			
-15V	DB2	J1/PI-BB	P1/J1-UU			
SET NO TRANSL	DK2	J1/PI-CC	P1/J1-TT			
SET NO TRANSL	DK2	J1/PI-DD	P1/J1-S			
UNS TST	DJ2	J1/PI-EE	P1/J1-R			
		J1/PI-FF	P1/J1-P			
GND B		J1/PI-HH	P1/J1-N			
+15V	DD2	J1/PI-JJ	P1/J1-M			
+25A	DE2	J1/PI-KK	P1/J1-L			
+25A	DE2	J1/PI-LL	P1/J1-K			
+5A	DA2	J1/PI-MM	P1/J1-J			
+5A	DA2	J1/PI-NN	P1/J1-I			
HDØ L	DE1	J1/PI-PP	P1/J1-F			
HD1 L	DH2	J1/PI-SS	P1/J1-E			
HD2 L	DF2	J1/PI-TT	P1/J1-D			
GND A		J1/PI-UU	P1/J1-C			
GND A		J1/PI-VV	P1/J1-B			
			P1/J1-A			

SIGNAL NAME	SERVO PREAMP (SPA) PIN	WIRE COLOR	CABLE NUMBER	M7708 BACKPLANE PIN (TPD)	REMARKS
+15V	SPI-J1/PI-2	ORN	③ TWINAX SERVO PREAMP	SLOT 8 CD2	DRAIN
GND	SPI-J1/PI-3	BLK		SLOT 8 CC2	
SVO PRE B	SPI-J1/PI-6	BLU		SLOT 8 DP2	
SVO PRE COM	SPI-J1/PI-7	WHT		SLOT 8 DMT	
SVO PRE A	SPI-J1/PI-8	CLEAR		SLOT 8 DJ2	



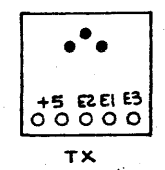
AS VIEWED FROM SIDE AND TOP OF DRIVE THE 2Ø PIN CABLE ON BOTTOM THE THREE XP CABLES ON TOP

SIGNAL NAME	CABLE CARD (CC) SLOT-1		CABLE NUMBER	CONNECTOR TX-1Ø		WIRE COLOR	CABLE NUMBER	TERMINAL	REMARKS
	BACK-PLANE PIN	CABLE CONN PIN		CONN	CONN				
HD LD #2 (BUCKING)	CR2	J3/P3-A	④	P/J1Ø-X	J/P8-3	YEL	4A 3 COND HEAD LEAD TACH	HLT-5	
HD LD COMMON	CS2	J3/P3-B		P/J1Ø-W	J/P8-4	GRY		HLT-4	
HD LD #1 (TACH)	CP2	J3/P3-C		P/J1Ø-V	J/P8-1	GRN		HLT-3	
GND		J3/P3-D		P/J1Ø-U	J/P8-2				
HOME L	CN2	J3/P3-E	2Ø COND (GREY)	P/J1Ø-T	J/P7-3	ORN	4B 4 COND HOME SW HOME LOCK	HLM2S1-4	
+2EV	CE2	J3/P3-F		P/J1Ø-S	J/P7-4	VIO		HLSOL-1	
HOME LOCK RELEASE L	CM2	J3/P3-H		P/J1Ø-R	J/P7-1	YEL		HLSOL-2	
GND		J3/P3-J		P/J1Ø-P	J/P7-2	BLK		HLM2S1-3	
LIM PA (SEE NOTE)	CL2	J3/P3-K	POSITIONER AREA SEE PAGE 5 FIG. 4 FOR CABLE CARD CONN LAYOUT	P/J1Ø-N	J/P6-11	VIO	4C 8 COND PHOTO TRANSDUCER	PXU12	
GND		J3/P3-L		P/J1Ø-M	J/P6-			PXU9	
+COS PA	CK2	J3/P3-M		P/J1Ø-L	J/P6-9	GRN		PXU14	
GND		J3/P3-N		P/J1Ø-K	J/P6-				
-SIN PA	CJ2	J3/P3-P		P/J1Ø-J	J/P6-7	YEL			
GND		J3/P3-R		P/J1Ø-I	J/P6-				
		J3/P3-S		P/J1Ø-H	J/P6-				
+15V	CD2	J3/P3-T		P/J1Ø-G	J/P6-6	ORN		PXU4	
LED CATHODE	CH1	J3/P3-U		P/J1Ø-F	J/P6-3	WHT		PXU6	
-15V	CB2	J3/P3-V		P/J1Ø-E	J/P6-4	BLU		PXU8	
GLASS XDR COM (GND)	CF1	J3/P3-W	P/J1Ø-D	J/P6-1	BLK	PXU1			
+5V	CA2	J3/P3-X	P/J1Ø-C	J/P6-2	RED	PXU2			



SIGNAL NAME	CABLE CARD (CC) SLOT-1		CABLE NUMBER	R/W BOARD (RW) CABLE CONN PIN		REMARKS
	BACK-PLANE PIN	CABLE CONN PIN		CABLE CONN PIN	CABLE CONN PIN	
+15	DD2	J2/P2-A	② 2Ø COND R/W (GREY)	P2/J2-X	FOR R/W BOARD CONN LAYOUT SEE SHEET 5 FIG. 1	
+15	DD2	J2/P2-B		P2/J2-W		
GND D		J2/P2-C		P2/J2-V		
GND D		J2/P2-D		P2/J2-U		
-5	DR2	J2/P2-E		P2/J2-T		
-5	DR2	J2/P2-F		P2/J2-S		
GND		J2/P2-G		P2/J2-R		
GND		J2/P2-H		P2/J2-Q		
+5C	DA2	J2/P2-I		P2/J2-P		
+5C	DA2	J2/P2-J		P2/J2-O		
GND D		J2/P2-K		P2/J2-N		
GND D		J2/P2-L		P2/J2-M		
GND D		J2/P2-M		P2/J2-L		
GND D		J2/P2-N		P2/J2-K		
WR GATE L	CV1	J2/P2-P		P2/J2-J		
GND D		J2/P2-R		P2/J2-H		
RD DATA 2 L	CU2	J2/P2-S		P2/J2-F		
GND D		J2/P2-T		P2/J2-E		
RD DATA 1 L	CUI	J2/P2-U		P2/J2-D		
GND D		J2/P2-V		P2/J2-C		
GND D		J2/P2-W	P2/J2-B			
GND D		J2/P2-X	P2/J2-A			

SIGNAL NAME	PHOTO TRANSDUCER WIRING				REMARKS
	PREAMP (PX)	WIRE COLOR	CABLE NUMBER	TRANSDUCER ASSEMBLY (TX)	
SIN X (E1)	PX-U5	YEL	④C1 6 WIRES (PART OF PHOTO TRANS ASSY)	TX-E1	SEE NOTE
-COS X (E2)	PX-U13	GRN		TX-E2	
LIM X (E3)	PX-U3	VIO		TX-E3	
PHOTO DIODE CATH (+5V)	PX-U11	BRN		TX-E5	
LED ANODE (+5V)	PX-U7	RED		TX-AN	
LED CATHODE	PX-U1Ø	WHT		TX-CA	



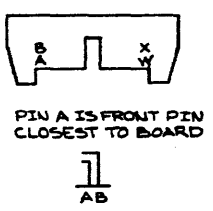
NOTE: ON SOME RK07'S THE LIMPA CHANNEL HAS BEEN ELIMINATED AS NOT REQUIRED FOR RK07 THEREFORE THESE INTERCONNECTIONS WILL NOT EXIST

REVISIONS	
CHK	REV.

"THIS DRAWING AND SPECIFICATIONS HEREIN ARE THE PROPERTY OF DIGITAL EQUIPMENT CORPORATION AND SHALL NOT BE REPRODUCED OR COPIED OR USED IN WHOLE OR IN PART AS THE BASIS FOR THE MANUFACTURE OR SALE OF ITEMS WITHOUT WRITTEN PERMISSION. COPYRIGHT © 1975 DIGITAL EQUIPMENT CORPORATION"

SIGNAL NAME	CABLE CARD (C) SLOT-1		CABLE NUMBER	CONNECTOR TX-9 SEE LAYOUT BELOW		WIRE COLOR	CABLE NUMBER	TERMINAL	REMARKS
	BACK-PLANE PIN	CABLE CONN-PIN		CONN	CONN				
BRUSH HOME SW L BRUSH HOME SW H GND	BN2 BP2 BM2	J5/P5-A J5/P5-B J5/P5-C J5/P5-D	5	P9/J9-X P9/J9-W P9/J9-V P9/J9-U	J5/P5-11 J5/P5-12 J5/P5-9 J5/P5-8	BLU YEL BLK	5A 3 COND BRUSH HOME SW	M4S1-NO M4S1-NC M4S1-COM	BRUSH HOME SWITCH
DR IN PLACE SOL L +25V DR IN PLACE L GND	BL2 BE2 BK2	J5/P5-E J5/P5-F J5/P5-H J5/P5-J	20 COND (GREY)	P9/J9-T P9/J9-S P9/J9-R P9/J9-P	J4/P4-7 J4/P4-8 J4/P4-5 J4/P4-6		NOT USED		
CART PRES L GND	BJ2 BH2	J5/P5-K J5/P5-L J5/P5-M J5/P5-N	CHASSIS AREA SEE PAGE 5 FIG. 4	P9/J9-N P9/J9-M P9/J9-L P9/J9-K	J3/P5-3 J3/P5-4 J3/P5-1 J3/P5-2	VIO RED	5B 2 COND CART PRESENT	CPS1-NO CPS1-COM	CARTRIDGE PRESENT SWITCH
LID LOCKED L GND +25V LID LOCKED SOL L	BF2 BE2 BE1	J5/P5-P J5/P5-R J5/P5-S J5/P5-T	FOR CABLE BOARD LAYOUT	P9/J9-J P9/J9-H P9/J9-F P9/J9-E	J2/P2-3 J2/P2-4 J2/P2-1 J2/P2-2	BLU BLK VIO YEL	5C 4 COND LID LOCK	LLS1-NO LLS1-COM LLSOL-1 LLSOL-2	LIDLOCK SOLENOID LIDLOCK SWITCH
SPINDLE SPEED GND LED CATHODE LED ANODE (+5)	BC1 BB1 BA1	J5/P5-U J5/P5-V J5/P5-W J5/P5-X		P9/J9-D P9/J9-C P9/J9-B P9/J9-A	J1/P1-3 J1/P1-4 J1/P1-2 J1/P1-1	BRN YEL BLK RED	5D 4 COND SPEED TRANS	SX-2 SX-1 SX-3 SX-4	SPEED SWITCH

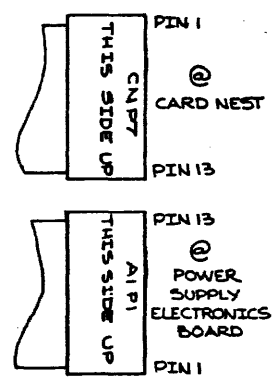
SIGNAL NAME	CABLE CARD (CN) SLOT 1		CABLE NUMBER	POWER SUPPLY ELECTRONICS BOARD (PSA) CONN PIN	REMARKS
	BLACK-PLANE PIN	CABLE CONN PIN			
EMITTER TEST PT SPARE AC LOW L GND SPINDLE ON L GND EN BRUSHES L GND SPINDLE BRAKE L GND REMOTE SENSE C GND (ANALOG) CURRENT COMMAND GND REMOTE SENSE A GND (UNUSED) REMOTE SENSE B GND (UNUSED) DC LOW L GND	BU1 BV1 CE1 CD1 CC1 CB1 CA1 BV2 BU2 BS2 BR2	J4/P4-A J4/P4-B J4/P4-C J4/P4-D J4/P4-E J4/P4-F J4/P4-G J4/P4-H J4/P4-I J4/P4-J J4/P4-K J4/P4-L J4/P4-M J4/P4-N J4/P4-P J4/P4-R J4/P4-S J4/P4-T J4/P4-U J4/P4-V J4/P4-W J4/P4-X	7 20 COND POWER SUPPLY SIGNAL (GREY)	A1-P2/J2-X A1-P2/J2-W A1-P2/J2-V A1-P2/J2-U A1-P2/J2-T A1-P2/J2-S A1-P2/J2-R A1-P2/J2-Q A1-P2/J2-P A1-P2/J2-O A1-P2/J2-N A1-P2/J2-M A1-P2/J2-L A1-P2/J2-K A1-P2/J2-J A1-P2/J2-I A1-P2/J2-H A1-P2/J2-G A1-P2/J2-F A1-P2/J2-E A1-P2/J2-D A1-P2/J2-C A1-P2/J2-B A1-P2/J2-A	SEE PAGE 5 FIG. 4 FOR CABLE CARD CONN PIN LAYOUT FIG. 3 FOR POWER SUPPLY ELECT BOARD(A) CONN LAYOUT



PIN REVERSAL CABLE CARD BOARD M906 TO POWER SUPPLY BOARD H767 5411042

REMOTE SENSE C IS ANALOG GND
REMOTE SENSE B IS GND

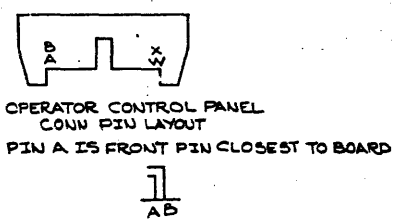
SIGNAL NAME	POWER SUPPLY (PS)	WIRE COLOR	CABLE NUMBER	CARD NEST POWER (CN)	REMARKS
+5V	A1-J1/P1-1	RED	8 12 COND DC POWER	CN-P7/J7-1	
+5V	A1-J1/P1-2	RED		CN-P7/J7-2	
+5V	A1-J1/P1-3	RED		CN-P7/J7-3	
+5V	A1-J1/P1-4	RED		CN-P7/J7-4	
+25V	A1-J1/P1-5	VIO		CN-P7/J7-5	
+15V	A1-J1/P1-6	ORN		CN-P7/J7-6	
GND	A1-J1/P1-7	BLK		CN-P7/J7-7	
GND	A1-J1/P1-8	BLK		CN-P7/J7-8	
GND	A1-J1/P1-9	BLK		CN-P7/J7-9	
GND	A1-J1/P1-10	BLK		CN-P7/J7-10	
-15V	A1-J1/P1-11	BLU		CN-P7/J7-11	
-5V	A1-J1/P1-12	GRN		CN-P7/J7-12	



SIGNAL NAME	CABLE CARD (CN) SLOT-1		CABLE NUMBER	OPERATOR CONTROL PANEL (CP) CONN PIN	REMARKS
	BACK-PLANE PIN	CABLE CONN PIN			
U0 L U1 L U2 L RUN (I) H WRL (I) L STOPPED LITE H QUAL L GND RUN SW L GND +5 +5 READY (Q) H FAULT L SW EN B L SW EN A H WR PROT SW L UNUSED DR SEL A DR SEL B	AR2 AS2 AP2 AU2 AN2 AV2 AM2 AL2 AA2 AA2 AK2 AB1 AJ2 AC1 AH2 AF2 AE2	J6/P6-A J6/P6-B J6/P6-C J6/P6-D J6/P6-E J6/P6-F J6/P6-H J6/P6-J J6/P6-K J6/P6-L J6/P6-M J6/P6-N J6/P6-P J6/P6-R J6/P6-S J6/P6-T J6/P6-U J6/P6-V J6/P6-W J6/P6-X	6 20 COND OPER CONTROL PANEL (GREY)	P1/J1-X P1/J1-W P1/J1-V P1/J1-U P1/J1-T P1/J1-S P1/J1-R P1/J1-Q P1/J1-P P1/J1-M P1/J1-L P1/J1-K P1/J1-J P1/J1-I P1/J1-H P1/J1-G P1/J1-F P1/J1-E P1/J1-D P1/J1-C P1/J1-B P1/J1-A	SEE PAGE 5 FIG. 4 FOR CABLE CARD CONN LAYOUT

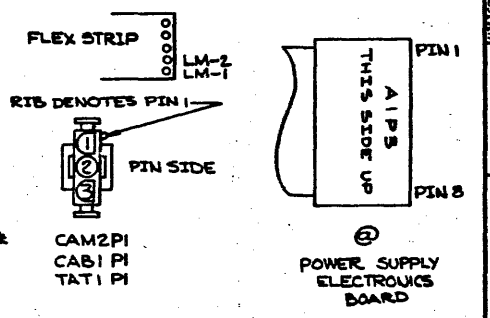
XP5		XP2		XP1	
W	U	S	P	M	K
12	10	8	6	4	2
X	V	T	R	N	L
11	9	7	5	3	1
H	E	C	A		
4	2	0	0		
J	F	D	B		
3	1	0	0		

CONNECTOR TX-9
AS VIEWED FROM FRONT AND TOP OF DRIVE
THE 20 PIN CABLE ON TOP
THE 3 XP CABLES ON BOTTOM



PIN REVERSAL CABLE CARD BOARD M906 TO OPERATOR CONTROL PANEL BOARD 5411823

SIGNAL NAME	POWER SUPPLY (PS)	WIRE COLOR	CABLE NUMBER	CONN * CHASSIS AREA (CA) TRANSFORMER AREA (TA)	WIRE COLOR	CABLE NUMBER	TERMINAL	REMARKS	
LINMTR-RET LINMTR-PWR	A1J3/P3-1 A1J3/P3-2	RED RED	9 POWER SUPPLY SEE NOTE	CAM2J1/P1-3 CAM2J1/P1-1	WHT BRN	14 3 WIRE	LM-2 LM-1	LINEAR MOTOR	
BATTERY + BATTERY -	A1J3/P3-3 A1J3/P3-4	BRN BLK		CAB1J1/P1-1 CAB1J1/P1-3	BRN BLK	15 ASSY		BI-POS BI-NEG	BATTERY
13V RMS 13V RMS GND	A1J3/P3-6 A1J3/P3-7 A1J3/P3-8	YEL YEL BLK		CAB1J1/P1-2 TAT1J1/P1-1 TAT1J1/P1-2 TAT1J1/P1-3	GRN YEL YEL YEL/BLK	12C 3 WIRE		LM2S1-NC-2	HOMESWNC * TRANSFORMER
			CAB1J1-2	GRN	JUMPER		CAM2J1-1		



NOTE. SEE PAGE 5 FIG. 3 FOR PWR SUPPLY ELECTRONIC BOARD A1 CONN LAYOUT, FIG 6 FOR CA AREA LAYOUT.

* THIS WIRE PHYSICALLY PART OF CABLE 14

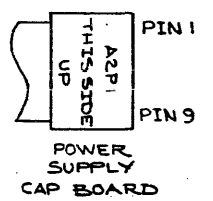
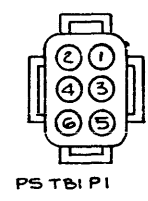
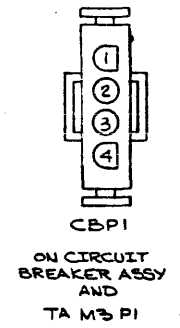
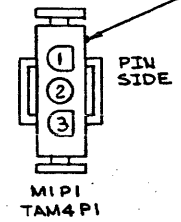
REVISIONS		
CHK	CHANGE NO.	REV.

FOR SERIAL # 53380 AND HIGHER

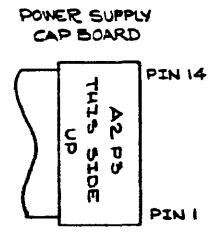
THIS DRAWING AND SPECIFICATIONS HEREIN ARE THE PROPERTY OF DIGITAL EQUIPMENT CORPORATION AND SHALL NOT BE REPRODUCED OR COPIED OR USED IN WHOLE OR IN PART AS THE BASIS FOR THE MANUFACTURE OR SALE OF ITEMS WITHOUT WRITTEN PERMISSION. COPYRIGHT © DIGITAL EQUIPMENT CORPORATION

SIGNAL NAME	CONN	WIRE COLOR	CABLE NUMBER	CONN	WIRE COLOR	CABLE NUMBER	CONN	CABLE NUMBER	WIRE COLOR	REMARKS
SPINDLE BRAKE PS (110V)	A2J1/P1-3	RED		SBT2 P1						SEE SPINDLE BRAKE P.S. SCHEMATIC CS
SPINDLE BRAKE PS (NEUT)	A2J1/P1-4	WHT		SBDC-1						
12V BRAKE VOLT	A2J1/P1-9	BLU								
BRUSH MTR (HOT) (110V)	A2J1/P1-1	RED	(10)	TBJ1/P1-2	RED		M4J1/P1-1	(11A)	BLK	TO BRUSH MOTOR
BRUSH MTR (LOW) (NEUT)	A2J1/P1-2	WHT		TBJ1/P1-1	WHT		M4J1/P1-3	(11A)	BLK	
SPINDLE MTR (LOW)	A2J1/P1-5	WHT	SEE PAGES FIG. 2 FOR PWR SUPPLY CAP BOARD A2 CONN LAYOUT	TBJ1/P1-3	WHT	(11)	M3J1/P1-2	(11B)	RED	TO SPINDLE MOTOR
SPINDLE MTR (HOT)	A2J1/P1-6	RED		TBJ1/P1-4	RED		M3J1/P1-1	(11B)	RED	
110V VAC (HOT)	A2J1/P1-7	RED		TBJ1/P1-6	RED		CBJ1/P1-1			SEE PAGE 6 FOR CB LAYOUT
110V VAC (NEUT)	A2J1/P1-8	WHT		TBJ1/P1-5	WHT		CBJ1/P1-2			
SPINDLE MTR CAP-N	M3C1-2	WHT	(11C)	TAM3J1-2						
SPINDLE MTR CAP-M	M3C1-1	BLK		TAM3J1-3						
GND	CHASSIS	GRN/YEL	(11)	TAM3J1-4						SP MTR
GND	M3J1-4	GRN/YEL	SEE PAGES FIG. 5 FOR TA CONN LAYOUT	M4J1-4						BRK MTR
GND	M4J1-4	BRN/YEL		M1J1-4						BLO MTR
110V VAC (HOT)	CBJ1/P1-3	RED		M1J1/P1-1	RED					BLOWER MOTOR
110V VAC (NEUT)	CBJ1/P1-4	WHT		M1J1/P1-3	WHT					

RIB DENOTES PIN 1

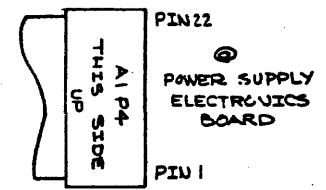
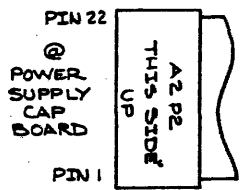


SIGNAL NAME	SOURCE	WIRE COLOR	CABLE NUMBER	TRANSFORMER	REMARKS
+10V COMMON	A2J3/P3-1	BLU/WHT			
+10V COMMON	A2J3/P3-2	BLU/WHT			
+25V COMMON	A2J3/P3-3	GRN/WHT			
+25V COMMON	A2J3/P3-4	GRN/WHT	(12A)	SECONDARY	SEE PAGE 5 FIG. 2 FOR POWER SUPPLY ELECT BOARD (A2) CONN LAYOUT
37V RMS	A2J3/P3-7	GRN/BLK			
37V RMS	A2J3/P3-8	GRN/BLK			
37V RMS	A2J3/P3-9	GRN			
37V RMS	A2J3/P3-10	GRN			
13V RMS	A2J3/P3-11	BLU/BLK			
13V RMS	A2J3/P3-12	BLU/BLK			
13V RMS	A2J3/P3-13	BLU			
13V RMS	A2J3/P3-14	BLU			
110V VAC (HOT)	T1J1/P1-1	BRN	(12B)	PRIMARY	CB IS CIRCUIT BREAKER ASSY SEE PAGE
110V VAC (NEUT)	T1J1/P1-2	BRN/WHT			
110V VAC (HOT)	T1J1/P1-3	BLK			
110V VAC (NEUT)	T1J1/P1-4	BLK/WHT			



NOTE:
1. TWO RED WIRES CONNECT TRANSFORMER T1 AND TRANSFORMER CAPACITOR T1C1
2. WIRING SAME 50HZ OR 60HZ TRANSFORMER

SIGNAL NAME	POWER SUPPLY PS	WIRE COLOR	CABLE NUMBER	POWER SUPPLY PS	REMARKS
+10V	A1P4/J4-1	YEL		A2J2/P2-1	
+10V	A1P4/J4-2	YEL		A2J2/P2-2	
+10V	A1P4/J4-3	YEL	(13)	A2J2/P2-3	
+10V	A1P4/J4-4	YEL		A2J2/P2-4	SEE PAGE 5 FIG. 2 FOR P.S. CAP BOARD (A2) CONN LAYOUT
BATTERY	A1P4/J4-6	BRN		A2J2/P2-6	
LINEAR MOTOR PWR	A1P4/J4-7	VIO		A2J2/P2-7	
LINEAR MTR DRIVER	A1P4/J4-8	GRY		A2J2/P2-8	
-10V	A1P4/J4-9	BRN		A2J2/P2-9	
-25V	A1P4/J4-10	GRY		A2J2/P2-10	
-25V	A1P4/J4-11	GRY		A2J2/P2-11	
+25V	A1P4/J4-12	VIO		A2J2/P2-12	FIG. 3 FOR P.S. ELECT BOARD (A1) CONN LAYOUT
+25V	A1P4/J4-13	VIO		A2J2/P2-13	
GND	A1P4/J4-16	BLK		A2J2/P2-16	
GND	A1P4/J4-17	BLK		A2J2/P2-17	
GND	A1P4/J4-18	BLK		A2J2/P2-18	
GND	A1P4/J4-19	BLK		A2J2/P2-19	
SPINDLE BRAKE L	A1P4/J4-20	RED		A2J2/P2-20	
EN BRUSHES L	A1P4/J4-21	RED		A2J2/P2-21	
SPINDLE ON L	A1P4/J4-22	RED		A2J2/P2-22	



NOTE:
PINS 5, 14, AND 15 UNUSED

REVISIONS		
CHK	CHANGE NO.	REV.

THIS DRAWING AND SPECIFICATIONS HEREIN ARE THE PROPERTY OF DIGITAL EQUIPMENT CORPORATION AND SHALL NOT BE REPRODUCED OR COPIED OR USED IN WHOLE OR IN PART AS THE BASIS FOR THE MANUFACTURE OR SALE OF ITEMS WITHOUT WRITTEN PERMISSION. COPYRIGHT © 1970 DIGITAL EQUIPMENT CORPORATION

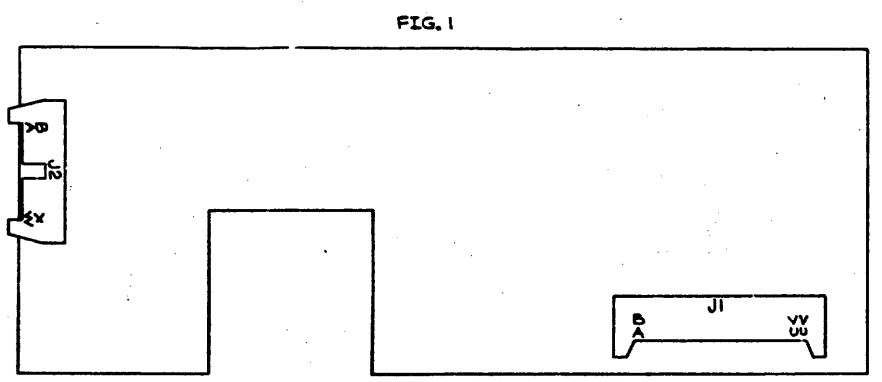


FIG. 1
R/W BOARD CONNECTOR LABELING
NOTE: PIN A FRONT PIN, CLOSEST TO BOARD

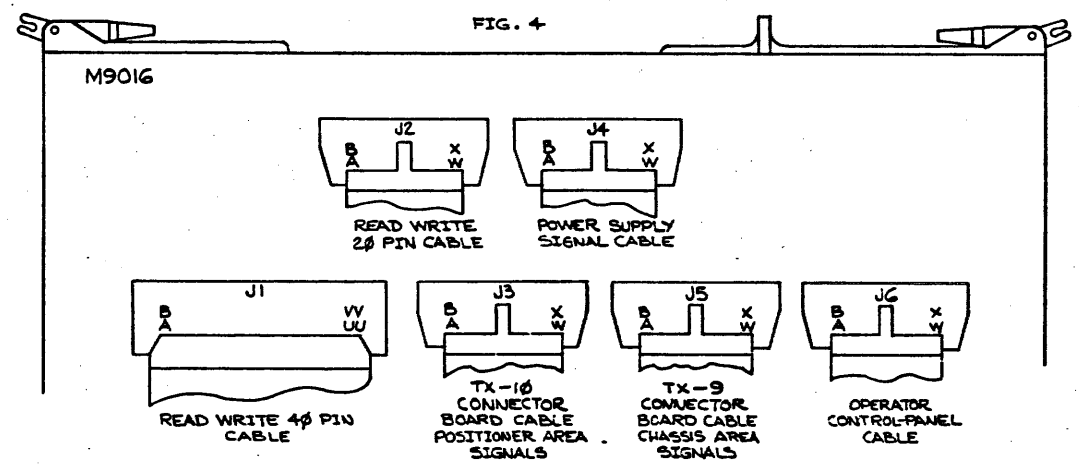


FIG. 4
M9016
NOTE: PIN A FRONT PIN, CLOSEST TO BOARD

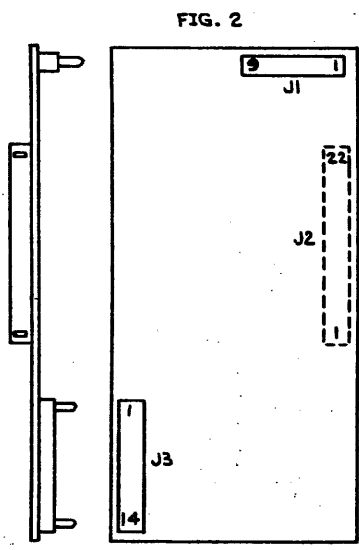


FIG. 2
POWER SUPPLY CAP BOARD A2

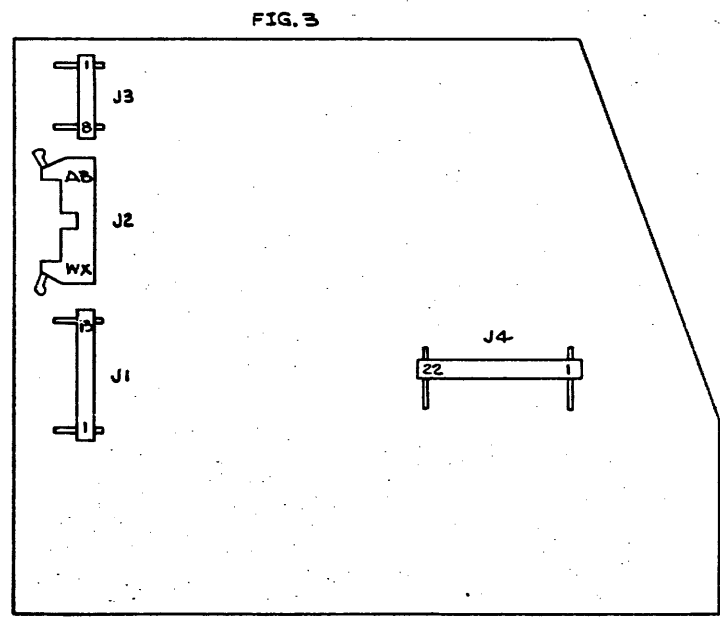


FIG. 3
HT67 POWER SUPPLY BOARD A1

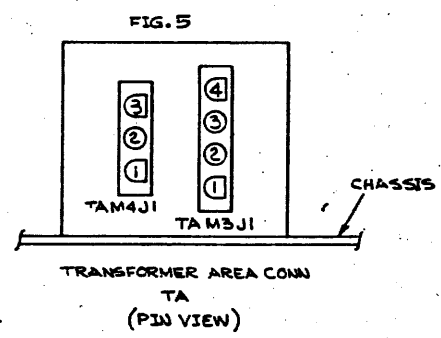


FIG. 5
TRANSFORMER AREA CONN TA (PIN VIEW)

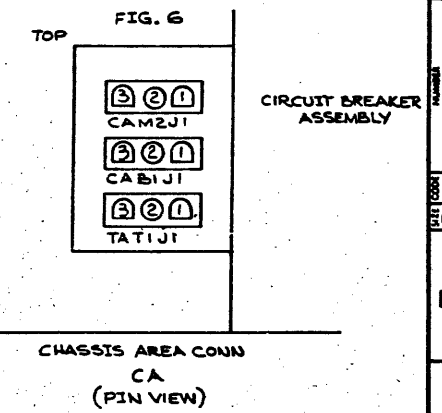
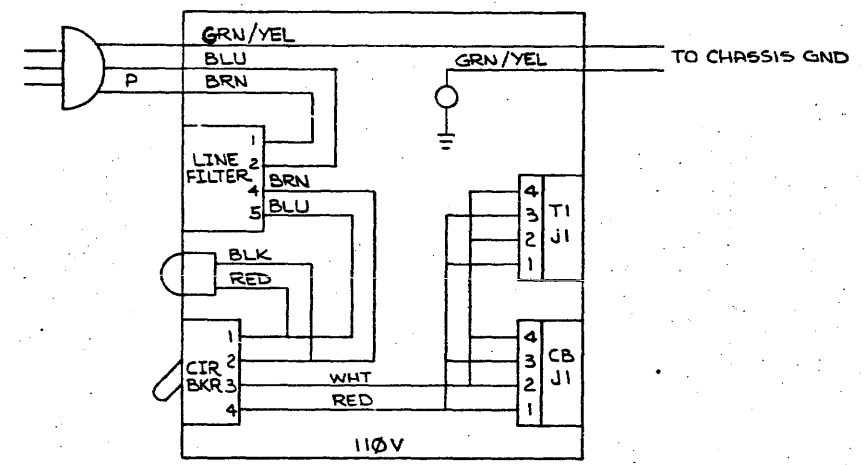


FIG. 6
CHASSIS AREA CONN CA (PIN VIEW)

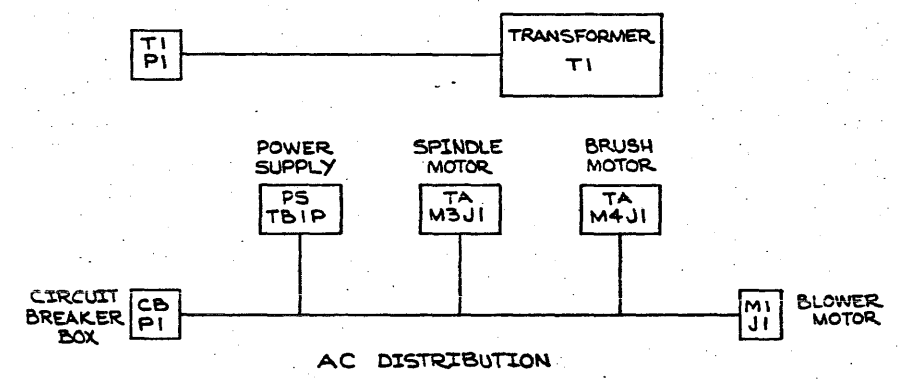
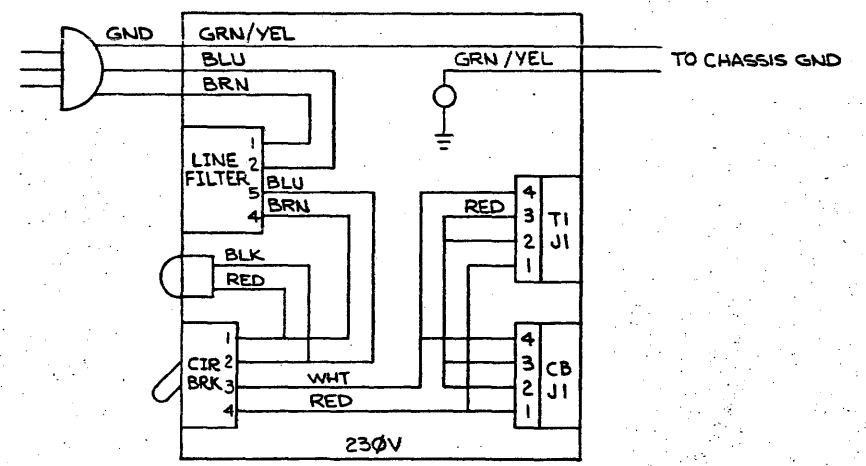
REVISIONS		
CHK	CHANGE NO.	REV.

FOR SERIAL # 53300 AND HIGHER			
TITLE	SIZE CODE	NUMBER	REV.
RK07 SYSTEMS CABLING	D I C	RK07-0-3	A
SCALE	SHEET 11 OF 14	DIST.	

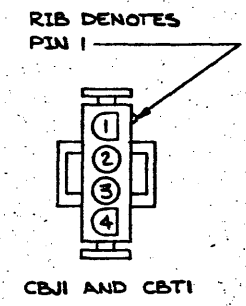
THIS DRAWING AND SPECIFICATIONS HEREIN ARE THE PROPERTY OF DIGITAL EQUIPMENT CORPORATION AND SHALL NOT BE REPRODUCED OR COPIED OR USED IN WHOLE OR IN PART AS THE BASIS FOR THE MANUFACTURE OR SALE OF ITEMS WITHOUT WRITTEN PERMISSION. COPYRIGHT © 1970, DIGITAL EQUIPMENT CORPORATION



CIRCUIT BREAKER ASSEMBLY



AC DISTRIBUTION

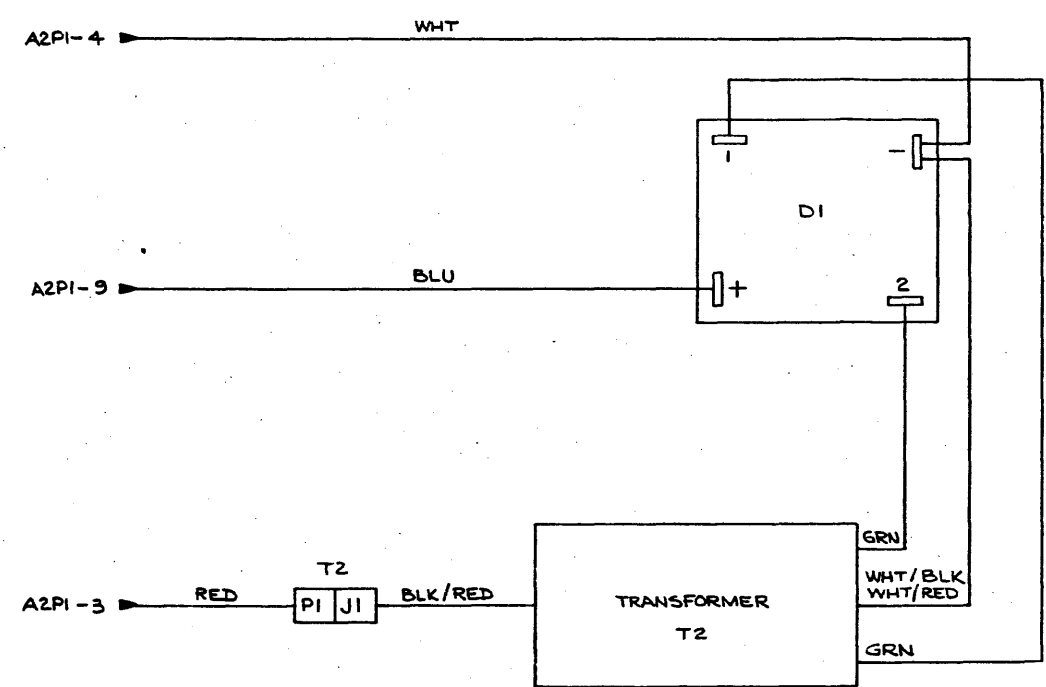


REVISIONS		
CHK.	CHANGE NO.	REV.

THIS DRAWING AND SPECIFICATIONS, "AS IS," ARE THE PROPERTY OF DIGITAL EQUIPMENT CORPORATION AND SHALL NOT BE REPRODUCED OR COPIED OR USED IN WHOLE OR IN PART AS THE BASIS FOR THE MANUFACTURE OR SALE OF ITEMS WITHOUT WRITTEN PERMISSION. COPYRIGHT © 1975 DIGITAL EQUIPMENT CORPORATION

DIC RK07-0-3 2

A2PI IS ON CAP BOARD



SPINDLE BRAKE
POWER SUPPLY
PART OF HT67-A-0 POWER SUPPLY

REVISIONS		
CHK	CHANGE NO.	REV.

FOR SERIAL * 53380 AND HIGHER

TITLE	SIZE CODE	NUMBER	REV.
RK07 SYSTEMS CABLING	DIC	RK07-0-3	A
SCALE	SHEET 13 OF 14	DIST.	

THIS DRAWING AND SPECIFICATIONS HEREIN ARE THE PROPERTY OF DIGITAL EQUIPMENT CORPORATION AND SHALL NOT BE REPRODUCED OR COPIED OR USED IN WHOLE OR IN PART AS THE BASIS FOR THE MANUFACTURE OR SALE OF ITEMS WITHOUT WRITTEN PERMISSION.
 COPYRIGHT © 1977 DIGITAL EQUIPMENT CORPORATION

DIC RK07-0-3 2

BLOWER

SPINDLE MOTOR



CONN

CHASSIS (NUT)

POWER SUPPLY

BASEPLATE

SERVO PRE AMP

D.C. GROUNDS A,B,C,D

GROUND RETURNS FOR BASEPLATE & CHASSIS DEVICES ARE THROUGH FLAT CABLES VIA TRANSITION BOARD TO CABLE BOARD

BACKPLANE GROUND

ON CABLE BOARD

FRAME

ONLY D.C. GROUND FOR SYSTEM

3 WIRES

SHIELDED WIRE

ONLY D.C. GROUND FOR BASEPLATE

CHASSIS (NUT)

GREEN

A.C. BOX

LINE GND

REVISIONS		
CHK	CHANGE NO.	REV.

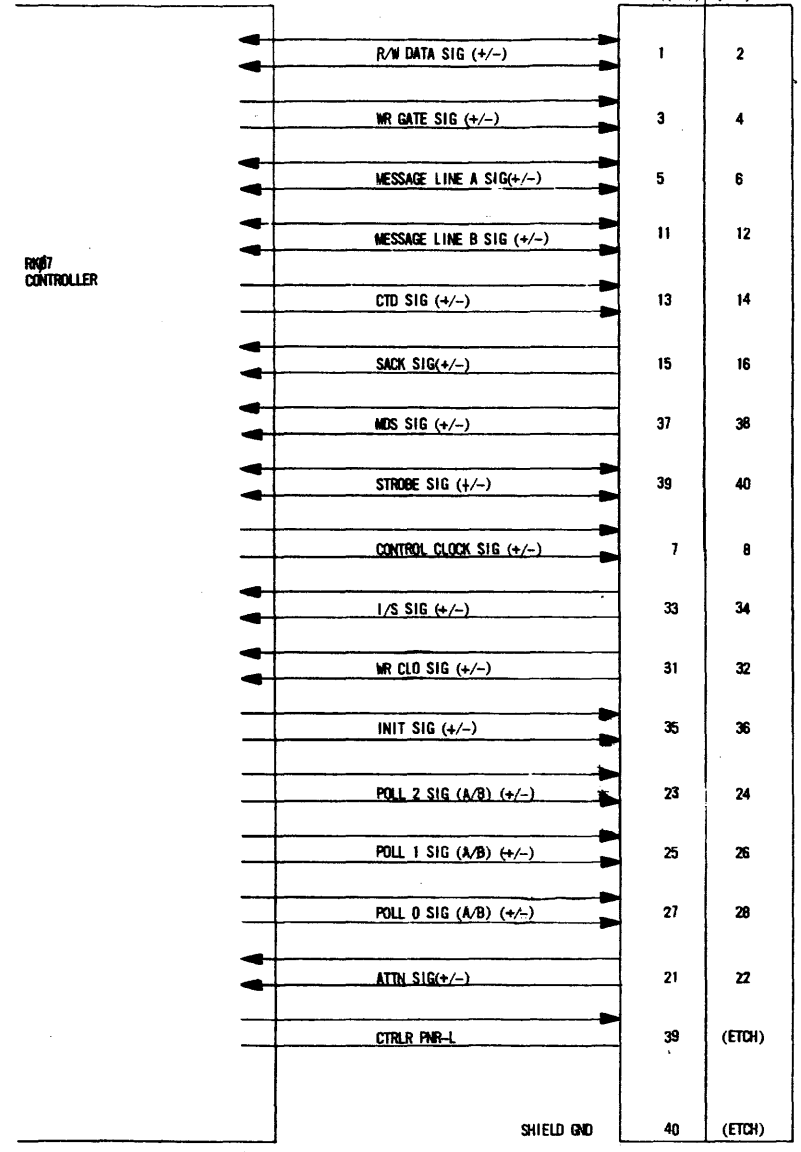
RK06/7 SYSTEM GROUND FOR ALL SER.* DRIVE

TITLE	RK06/7 SYSTEM CABLING	SIZE CODE	DIC	NUMBER	RK07-0-3	REV.	A
SCALE		SHEET	14 OF 14	DIST.			

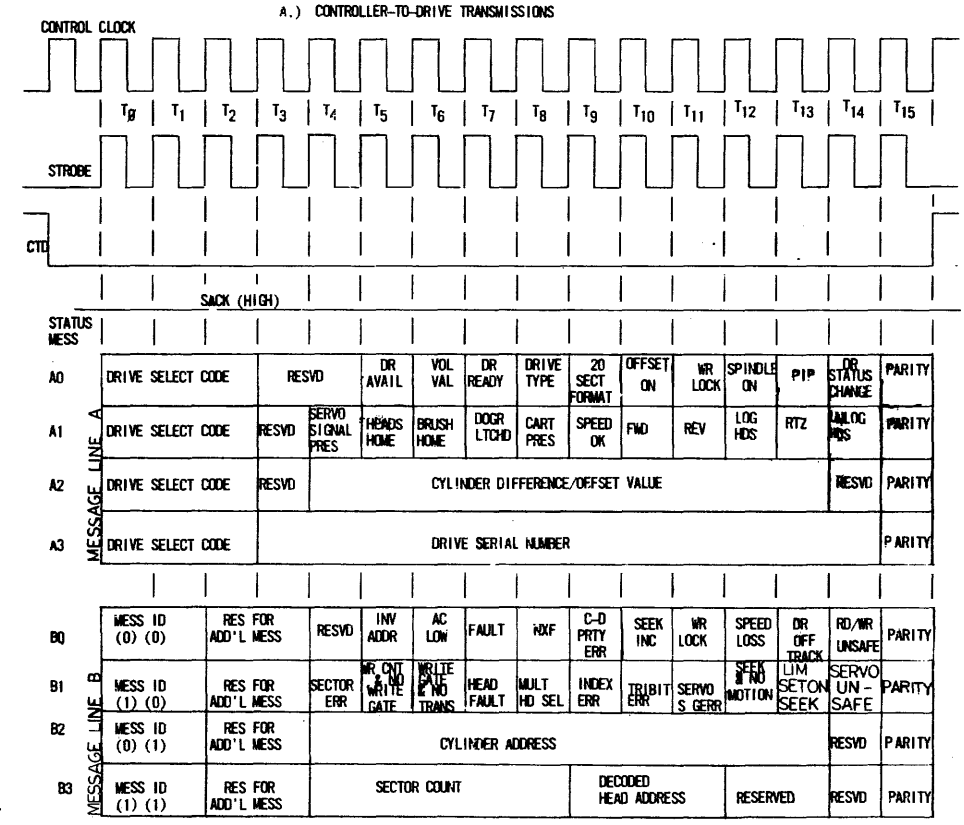
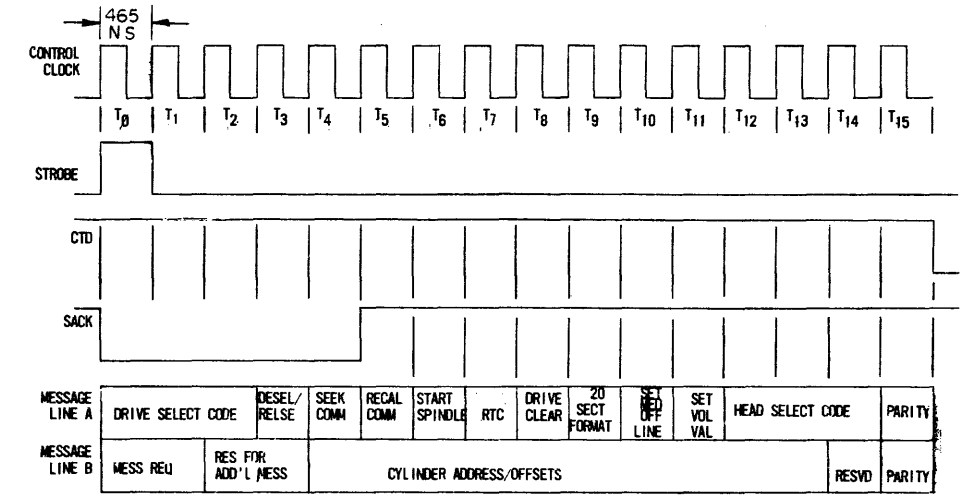
"THIS DRAWING AND SPECIFICATIONS HEREIN ARE THE PROPERTY OF DIGITAL EQUIPMENT CORPORATION AND SHALL NOT BE REPRODUCED OR COPIED OR USED IN WHOLE OR IN PART AS THE BASIS FOR THE MANUFACTURE OR SALE OF ITEMS WITHOUT WRITTEN PERMISSION. COPYRIGHT © 1978 DIGITAL EQUIPMENT CORPORATION"

6-0-0-0-9
D TD RK07-0-9
REV. 2

I/O CONNECTOR PINS
J1, J2 A IN/OUT
J3, J4 B IN/OUT
(BLK) (WHT)



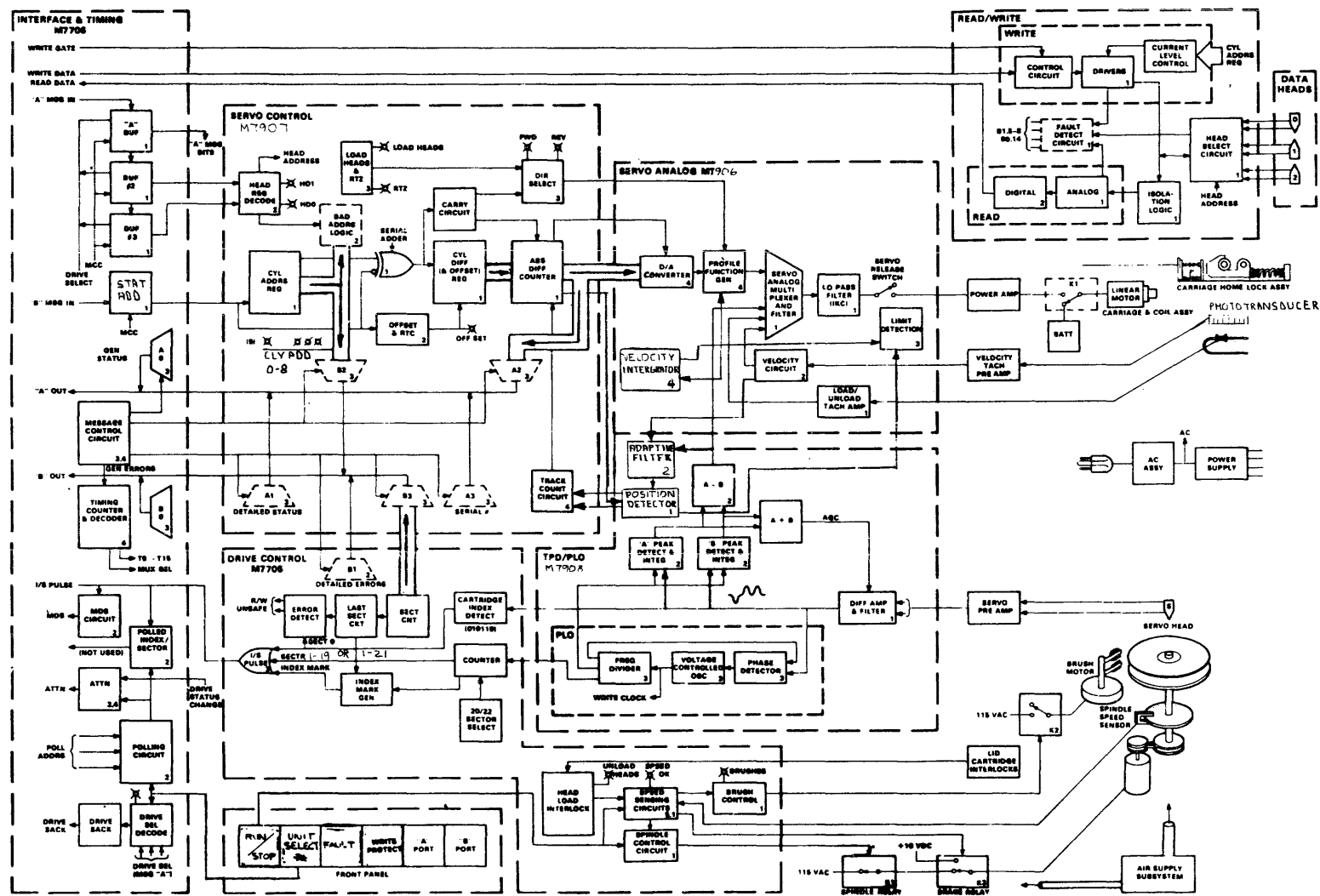
NOTE:
1. DUAL LINES INDICATE SIGNALS ARE DIFFERENTIAL PAIRS.
2. ARROWS INDICATE SIGNAL DIRECTIONS.



REVISIONS
CHANGE NO.
CHK

DRW: <i>[Signature]</i>	FIRST USED ON	digital
CHK'D: <i>[Signature]</i>	RK07	
ENG: <i>[Signature]</i>	TITLE	INTERFACING
PROJ. ENG: <i>[Signature]</i>	TIMING & STATUS	
PROD: <i>[Signature]</i>	NEXT HIGHER ASSY.	
B-DD-RK07-0	SIZE CODE	NUMBER
SCALE	D	TD RK07-0-9
SHEET	OF	REV.

THIS DRAWING AND SPECIFICATIONS HEREIN ARE THE PROPERTY OF DIGITAL EQUIPMENT CORPORATION AND SHALL NOT BE REPRODUCED OR COPIED OR USED IN WHOLE OR IN PART AS THE BASIS FOR THE MANUFACTURE OR SALE OF ITEMS WITHOUT WRITTEN PERMISSION
 COPYRIGHT © 1978 DIGITAL EQUIPMENT CORPORATION



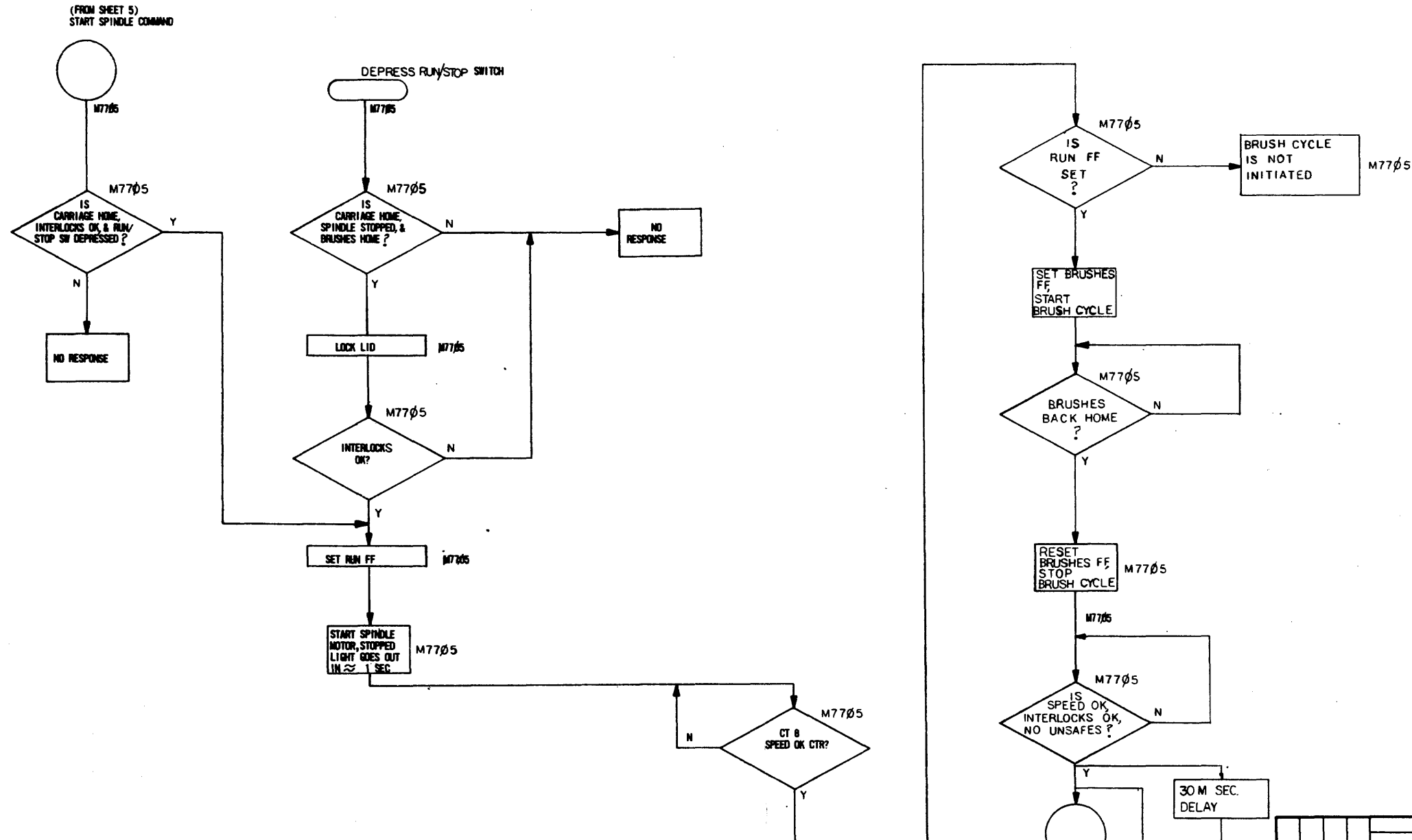
REV	CHANGE NO
	NO
REV	CHANGE NO
	NO

FIRST USED ON OPTION/MODEL	QTY.	DESCRIPTION	PART NO.	ITEM NO.
RK07				
PARTS LIST				
UNLESS OTHERWISE SPECIFIED DIMENSION IN INCHES	DRN. <i>John Hoyle</i>	DATE 9 JAN 78	digital EQUIPMENT CORPORATION MAYFIELD, MASSACHUSETTS	
TOLERANCES	CHKD. <i>John Hoyle</i>	DATE 12 JAN 78		
DECIMALS .xxx = .005	ENG. <i>John Hoyle</i>	DATE 12 JAN 78	TITLE FUNCTIONAL BLOCK DIAGRAM	
ANGLES ±0° 30'	PROJ. ENGR. <i>J. E. Lawson</i>	DATE 13 JAN 78		
.xx = .02	PROB. <i>J. E. Lawson</i>	DATE 13 JAN 78		
.x = .1				
REMOVE BURRS AND BREAK SHARP CORNERS SURFACE QUALITY V				
MATERIAL	NEXT HIGHER ASSY.		SIZE CODE	NUMBER
FINISH	B-DD-RK07-0		C BD	RK07-0-10
	SCALE	1 OF 1	DIST.	

REV NUMBER
 C BD RK07-0-10
 B

THIS DRAWING AND SPECIFICATIONS HEREIN ARE THE PROPERTY OF DIGITAL EQUIPMENT CORPORATION AND SHALL NOT BE REPRODUCED OR COPIED OR USED IN WHOLE OR IN PART AS THE BASIS FOR THE MANUFACTURE OR SALE OF ITEMS WITHOUT WRITTEN PERMISSION. COPYRIGHT © 1977, DIGITAL EQUIPMENT CORPORATION

NOTE:
 * FOR RK07 ONLY.
 ** FOR RK07:
 M7707 IS REPLACED WITH M7907
 M7729 IS REPLACED WITH M7906



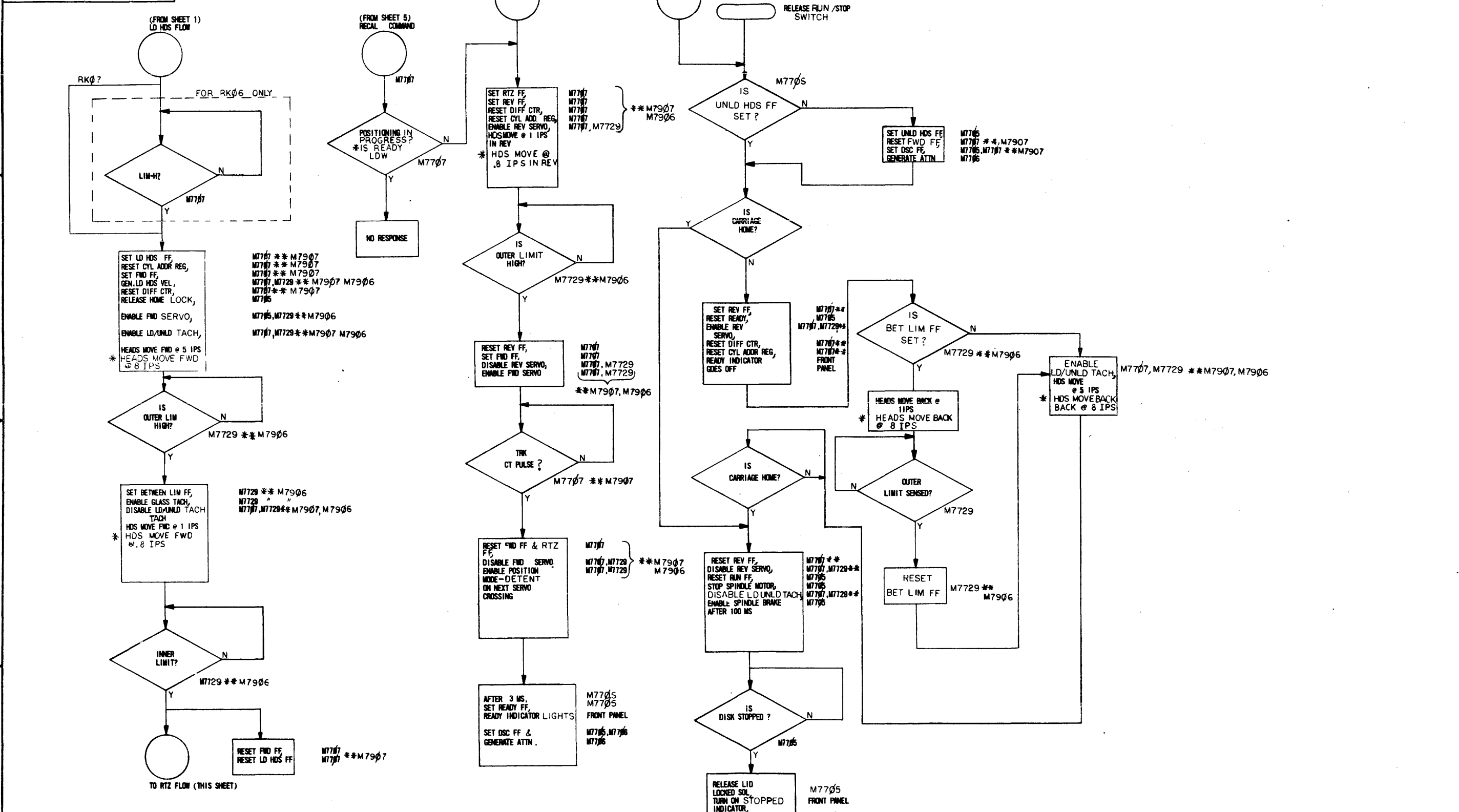
THIRD ANGLE PROJECTION		DRN. <i>[Signature]</i> 15 Dec 77	FIRST USED ON	RK06
REMOVE BURS AND BREAK SHARP CORNERS		CHK'D. <i>[Signature]</i> 12 Jan 78	TITLE	RK06/7
DO NOT SCALE DWG		PROJ. ENG. <i>[Signature]</i> 12 Jan 78	FLOW CHART	
MATERIAL		PROD. <i>[Signature]</i> 15 Jan 78	SIZE	D
FINISH		NEXT HIGHER ASSY.	CODE	FD
		B-DD-RK07-0	NUMBER	06/7-0-2
		SCALE	DIST.	1 OF 7

REV. NO. CHANGE NO. DATE

REV. NO. NUMBER DATE CODE

digital

"THIS DRAWING AND SPECIFICATIONS, HEREIN, ARE THE PROPERTY OF DIGITAL EQUIPMENT CORPORATION AND SHALL NOT BE REPRODUCED OR COPIED OR USED IN WHOLE OR IN PART AS THE BASIS FOR THE MANUFACTURE OR SALE OF ITEMS WITHOUT WRITTEN PERMISSION. COPYRIGHT © 1977 DIGITAL EQUIPMENT CORPORATION"



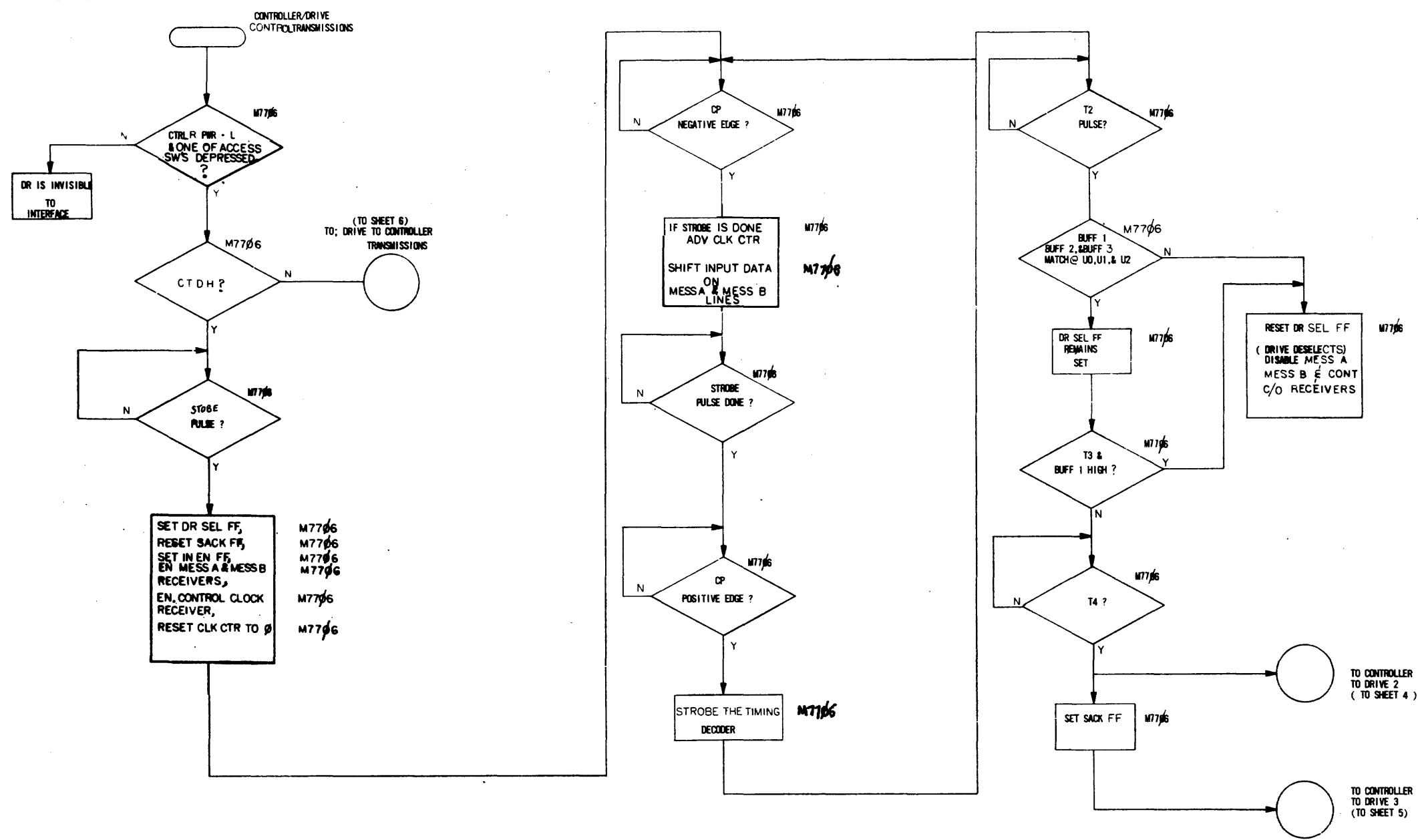
REVISIONS		
CHK	CHANGE NO.	REV.

DES. FORM NO. 088 137

REV. CODE NUMBER D FDRK06/7-0-2

"THIS DRAWING AND SPECIFICATIONS HEREIN ARE THE PROPERTY OF DIGITAL EQUIPMENT CORPORATION AND SHALL NOT BE REPRODUCED OR COPIED OR USED IN WHOLE OR IN PART AS THE BASIS FOR THE MANUFACTURE OR SALE OF ITEMS WITHOUT WRITTEN PERMISSION. COPYRIGHT © 1977 DIGITAL EQUIPMENT CORPORATION"

SIZE CODE NUMBER 3000 3212 2

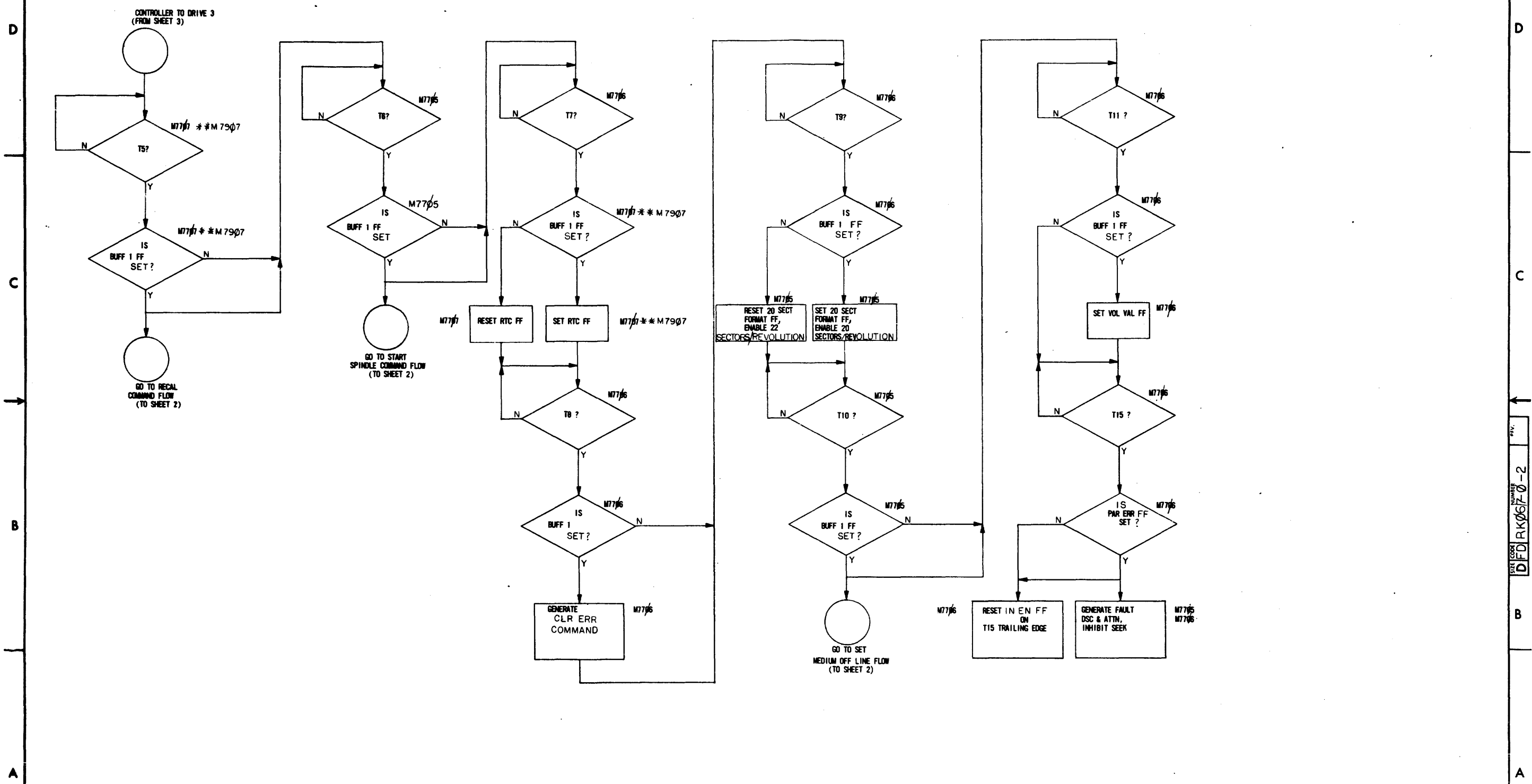


REVISIONS		
CHK	CHANGE NO.	REV.

D FDRK06/7-0-2
 NUMBER
 A
 B
 C
 D

THIS DRAWING AND SPECIFICATIONS, HEREIN, ARE THE PROPERTY OF DIGITAL EQUIPMENT CORPORATION AND SHALL NOT BE REPRODUCED OR COPIED OR USED IN WHOLE OR IN PART AS THE BASIS FOR THE MANUFACTURE OR SALE OF ITEMS WITHOUT WRITTEN PERMISSION. COPYRIGHT © 1977 DIGITAL EQUIPMENT CORPORATION

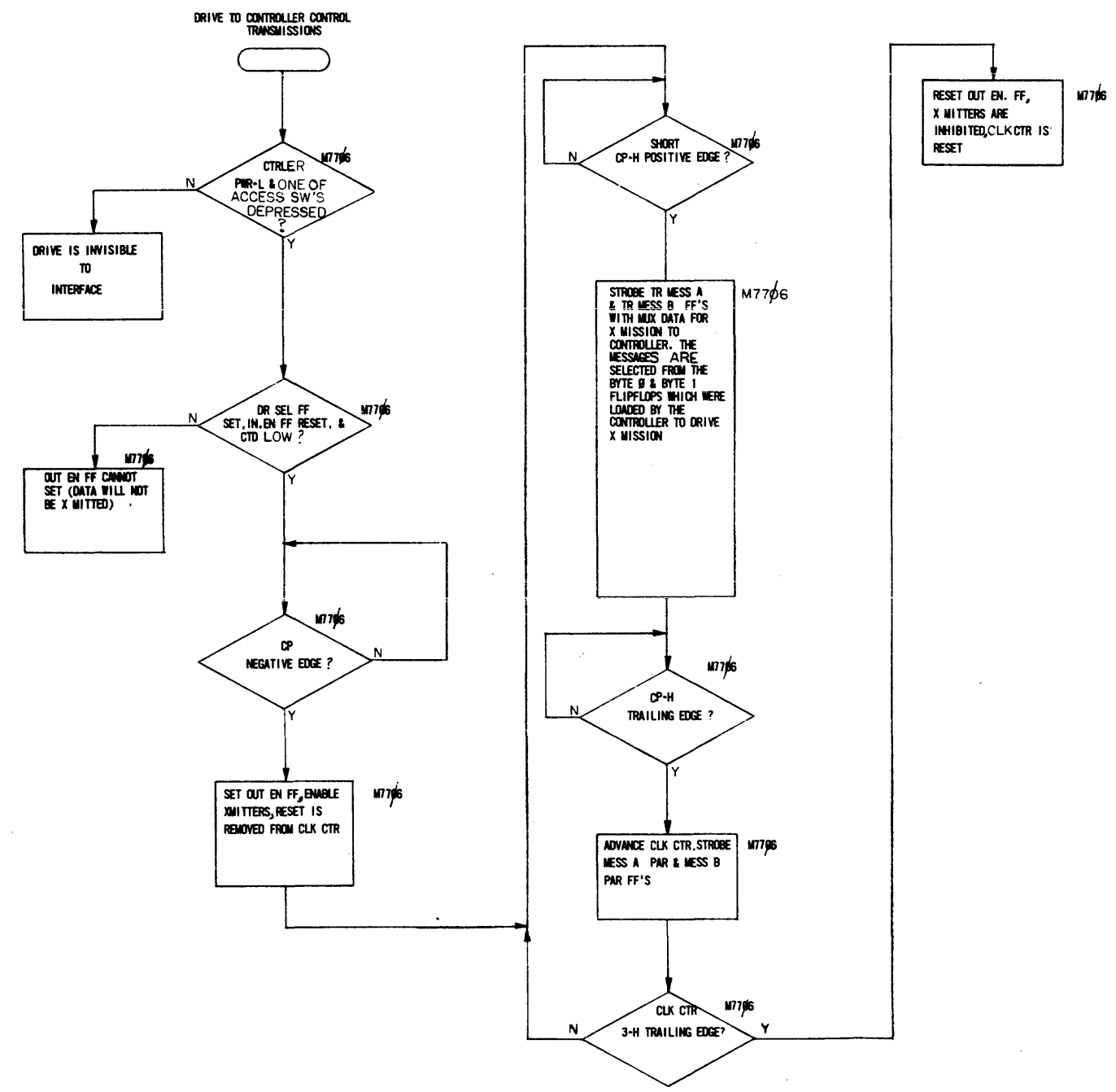
REV. 2
D FD RK067-0-2



REVISIONS		
CHK	CHANGE NO.	REV.

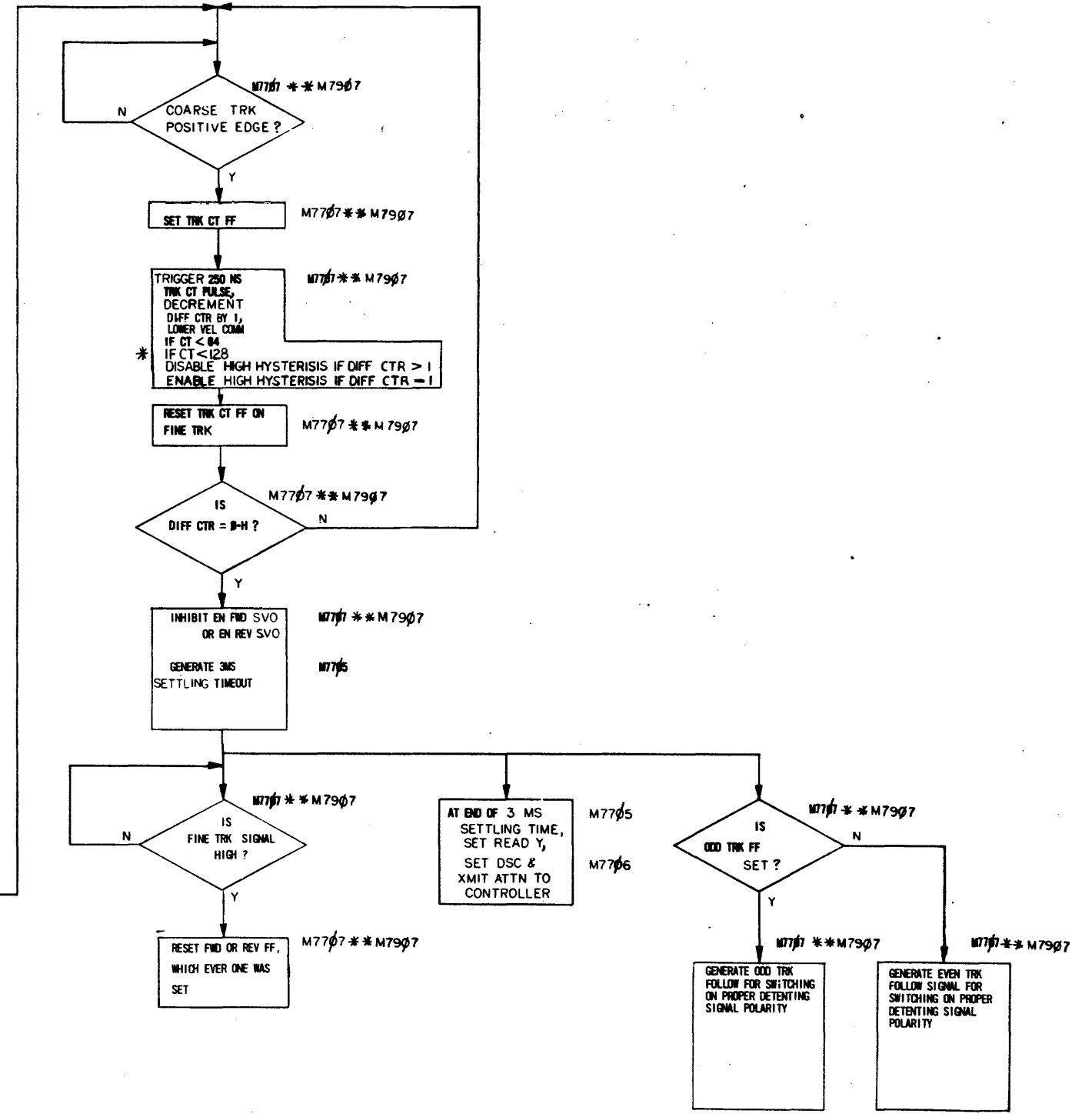
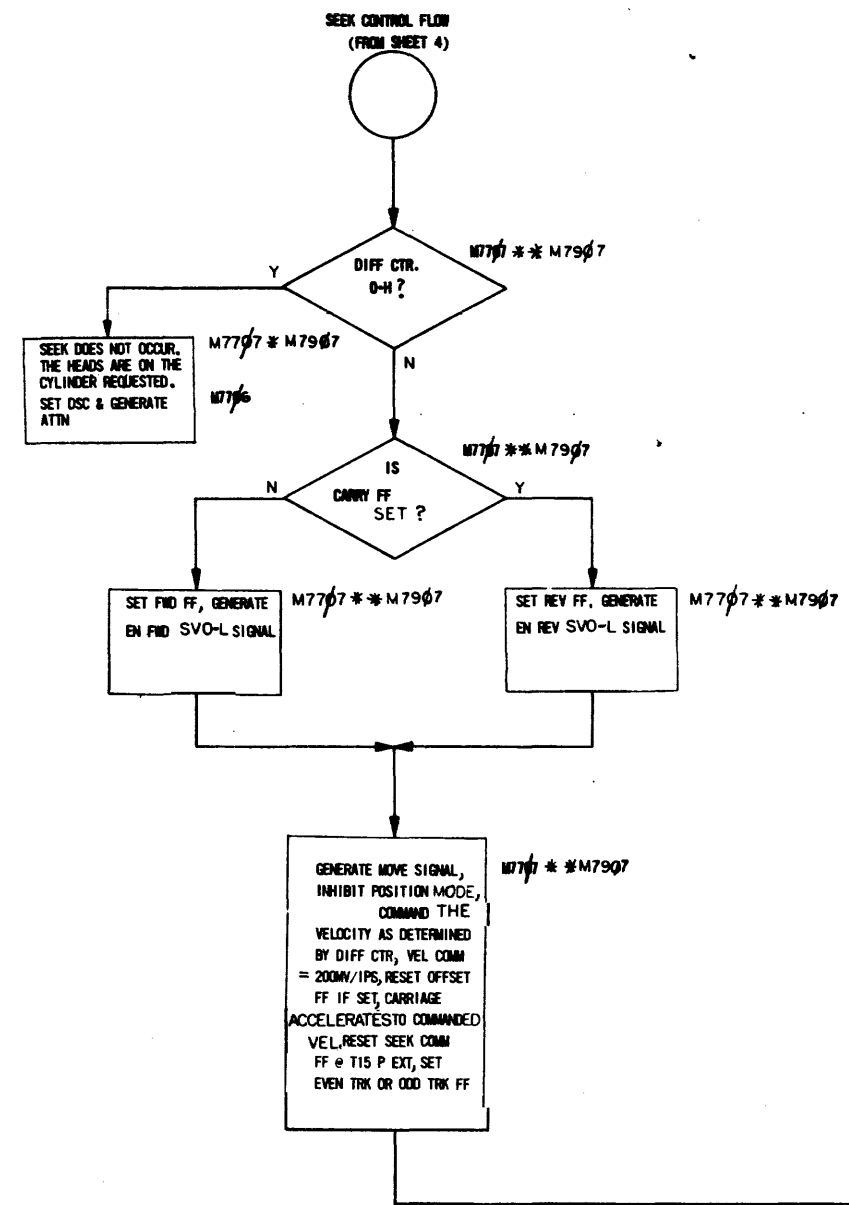
TITLE	RK067 FLOW CHART	SIZE CODE	D FD	NUMBER	RK067-0-2	REV.	
SCALE	++	SHEET	5 OF 7	DIST.			

"THIS DRAWING AND SPECIFICATIONS, HEREIN, ARE THE PROPERTY OF DIGITAL EQUIPMENT CORPORATION AND SHALL NOT BE REPRODUCED OR COPIED OR USED IN WHOLE OR IN PART AS THE BASIS FOR THE MANUFACTURE OR SALE OF ITEMS WITHOUT WRITTEN PERMISSION. COPYRIGHT © 1977 DIGITAL EQUIPMENT CORPORATION"



REVISIONS		
CHK	CHANGE NO.	REV.

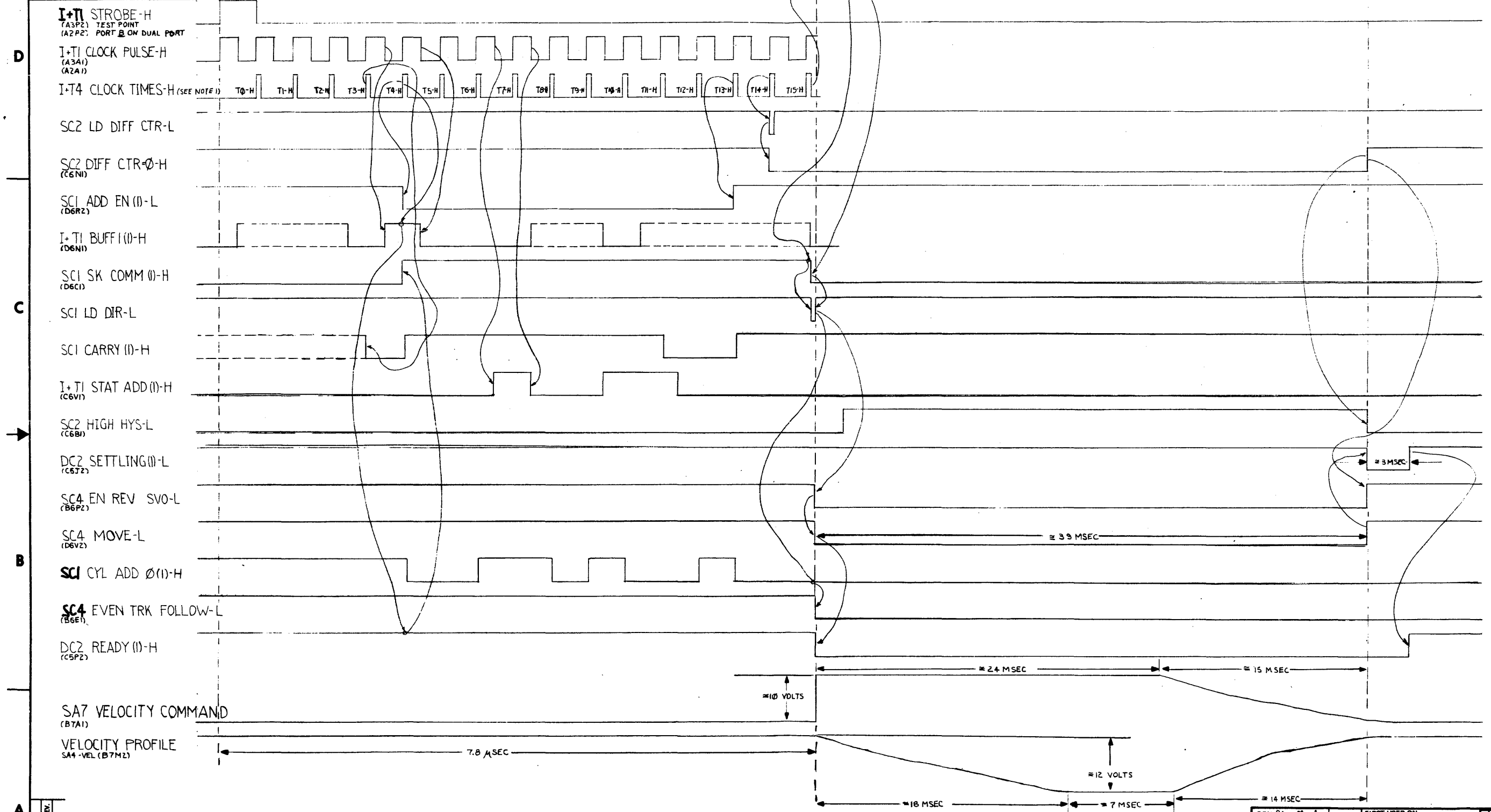
THIS DRAWING AND SPECIFICATIONS HEREIN ARE THE PROPERTY OF DIGITAL EQUIPMENT CORPORATION AND SHALL NOT BE REPRODUCED OR COPIED OR USED IN WHOLE OR IN PART AS THE BASIS FOR THE MANUFACTURE OR SALE OF ITEMS WITHOUT WRITTEN PERMISSION. COPYRIGHT © 1975 DIGITAL EQUIPMENT CORPORATION



REVISIONS		
CHK	CHANGE NO.	REV.

THIS DRAWING AND SPECIFICATIONS, HEREIN, ARE THE PROPERTY OF DIGITAL EQUIPMENT CORPORATION AND SHALL NOT BE REPRODUCED OR COPIED OR USED IN WHOLE OR IN PART AS THE BASIS FOR THE MANUFACTURE OR SALE OF ITEMS WITHOUT WRITTEN PERMISSION.
COPYRIGHT © DIGITAL EQUIPMENT CORPORATION

SC4 T15 PEXT-H
SC4 E39 PIN4



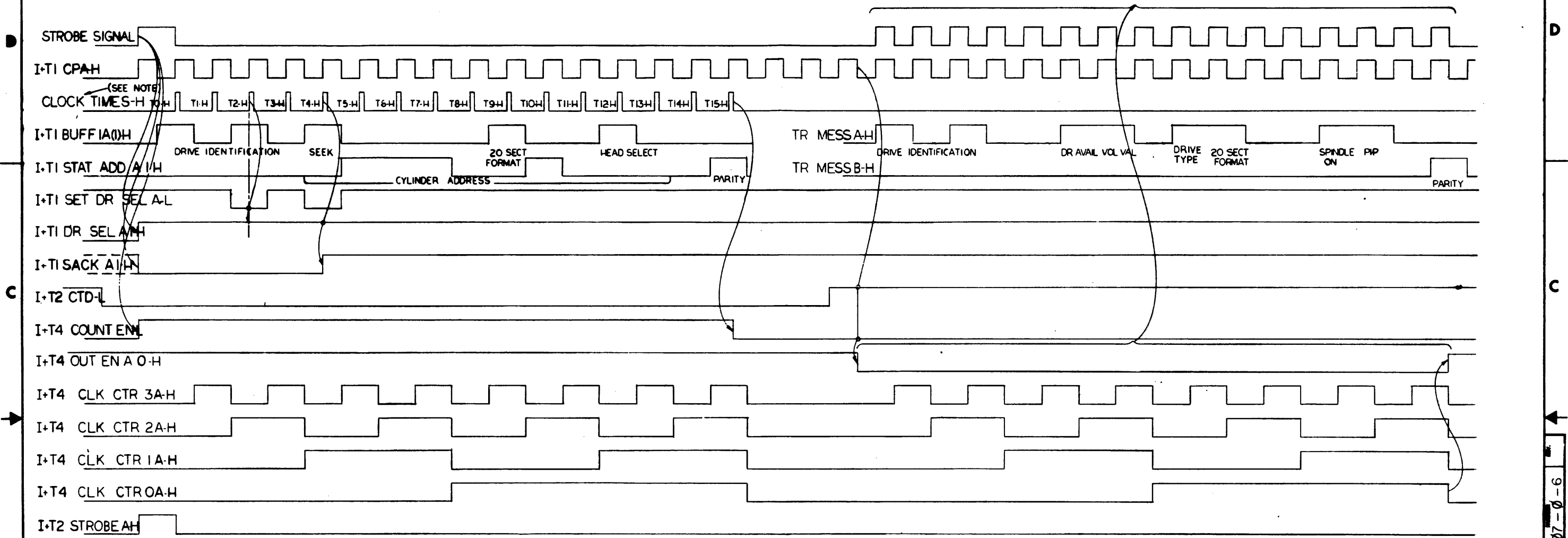
SYSTEM CONDITIONS:
 1. VOLUME VALID IS SET
 2. THERE ARE NO FAULTS
 3. DRIVE IS READY CARRIAGE IS ON CYLINDER 601₁₀ (1131₈)
 4. A SEEK COMMAND TO CYLINDER 200₁₀ (310₈) IS ISSUED.

NOTES:
 1. ALTHOUGH THE CLOCK TIMES ARE SEPARATE PARALLEL SIGNALS THEY ARE SHOWN AS A STRING OF PULSES TO CONSERVE SPACE

DRN. <i>John Nye</i>	7 Jun 78	FIRST USED ON	RK07 digital
CHK'D. <i>[Signature]</i>	15 Jun 78	TITLE	SEEK OPERATION TIMING DIAGRAM
ENG. <i>[Signature]</i>	2 Jun 78	SIZE CODE	D
PROJ. ENG. <i>[Signature]</i>	18 Jun 78	NUMBER	1
PROD. <i>[Signature]</i>	13 Jun 78	SCALE	1 OF 1
NEXT HIGHER ASSY.		SHEET	1 OF 1
B-DD-RK07-0-5		DIST.	

REV.	
CHG.	
REV.	
CHG.	

THIS DRAWING AND SPECIFICATIONS HEREIN ARE THE PROPERTY OF DIGITAL EQUIPMENT CORPORATION AND SHALL NOT BE REPRODUCED OR COPIED OR USED IN WHOLE OR IN PART AS THE BASIS FOR THE MANUFACTURE OR SALE OF ITEMS WITHOUT WRITTEN PERMISSION. COPYRIGHT © 1971, DIGITAL EQUIPMENT CORPORATION



SYSTEM CONDITIONS.

1. FRONT PANEL PORT ENABLE SWITCH IS DEPRESSED
2. DC VOLTAGES IN DRIVE ARE O.K.
3. VOLTAGES IN CONTROLLER ARE O.K.

NOTE. DURING THE CONTROLLER TO DRIVE TRANSMISSION

1. DRIVE NUMBER 5 IS SELECTED
2. A SEEK COMMAND TO CYLINDER 78 IS ISSUED.
3. FORMAT IS SET TO 20 SECTORS.
4. HEAD NUMBER 1 HAS BEEN SELECTED
5. ALTHOUGH THE CLOCK TIMES ARE SEPARATE SIGNALS THEY ARE SHOWN SERIALLY TO SAVE SPACE.

DURING THE DRIVE TO CONTROLLER TRANSMISSION

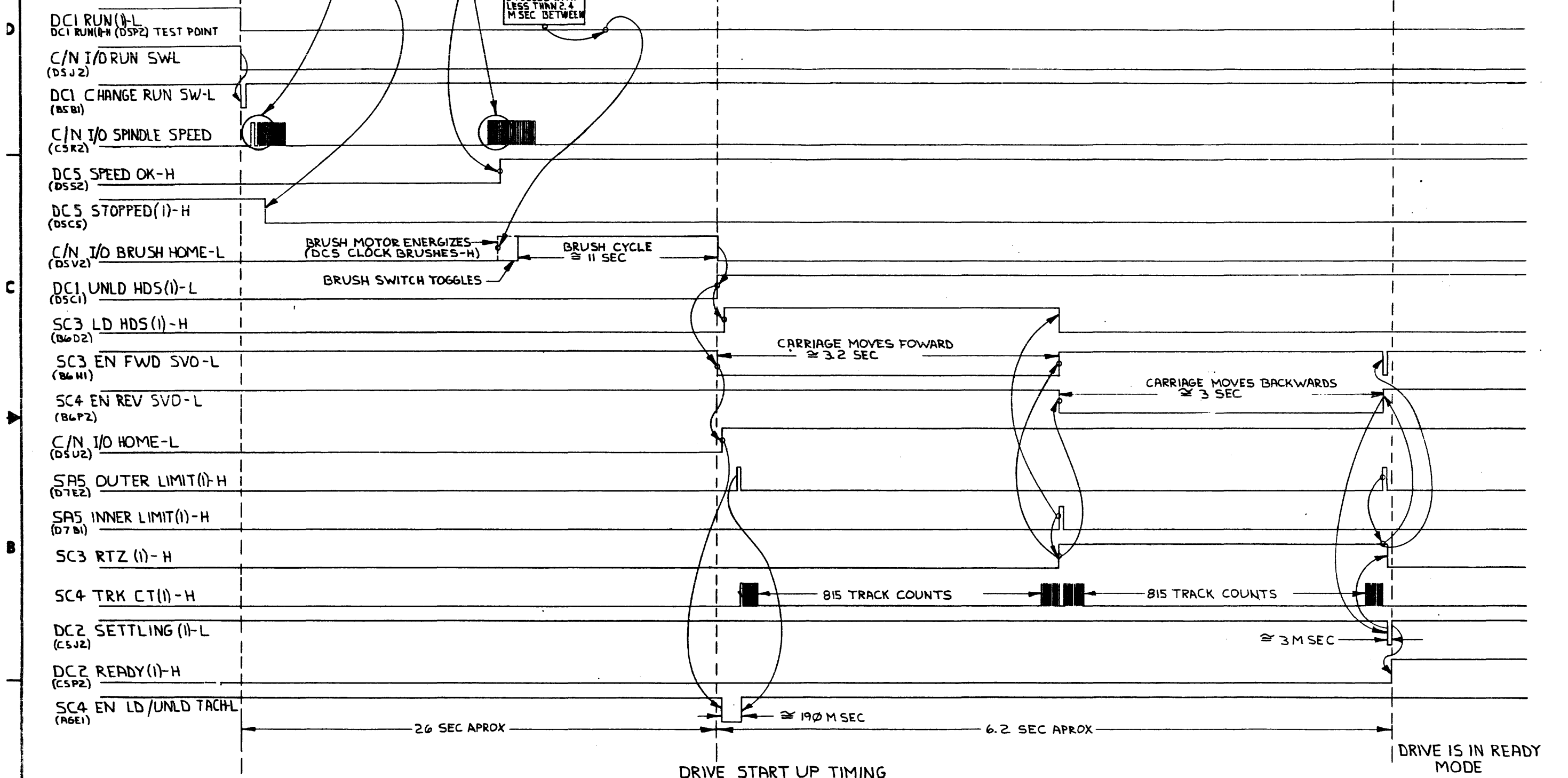
1. THE DRIVE IDENTIFIES ITSELF
2. TELLS CONTROLLER:

DRIVE IS AVAILABLE	FORMAT IS SET TO 20 SECTORS
VOLUME VALID IS SET	SPINDLE IS ON.
THERE IS A SEEK IN PROGRESS	

DRN. <i>2.1m70</i>	2.1m70	FIRST USED ON	RK07
CHK. <i>[Signature]</i>	12 JAN 78	TITLE	INTERFACE TIMING
ENGR. <i>[Signature]</i>	12 JAN 78	PROJECT	
PROJ. EN. <i>[Signature]</i>	12 JAN 78	SCALE	
NEXT HIGHER ASSY.		SIZE CODE	NUMBER
B-DD-RK07-0		DITD	RK07-0-6
SHEET	1 OF 1	DIST.	

REV.	DATE	BY	DESCRIPTION

THIS DRAWING AND SPECIFICATIONS HEREIN ARE THE PROPERTY OF DIGITAL EQUIPMENT CORPORATION AND SHALL NOT BE REPRODUCED OR COPIED OR USED IN WHOLE OR IN PART AS THE BASIS FOR THE MANUFACTURE OR SALE OF ITEMS WITHOUT WRITTEN PERMISSION.
 COPYRIGHT © 1977, DIGITAL EQUIPMENT CORPORATION



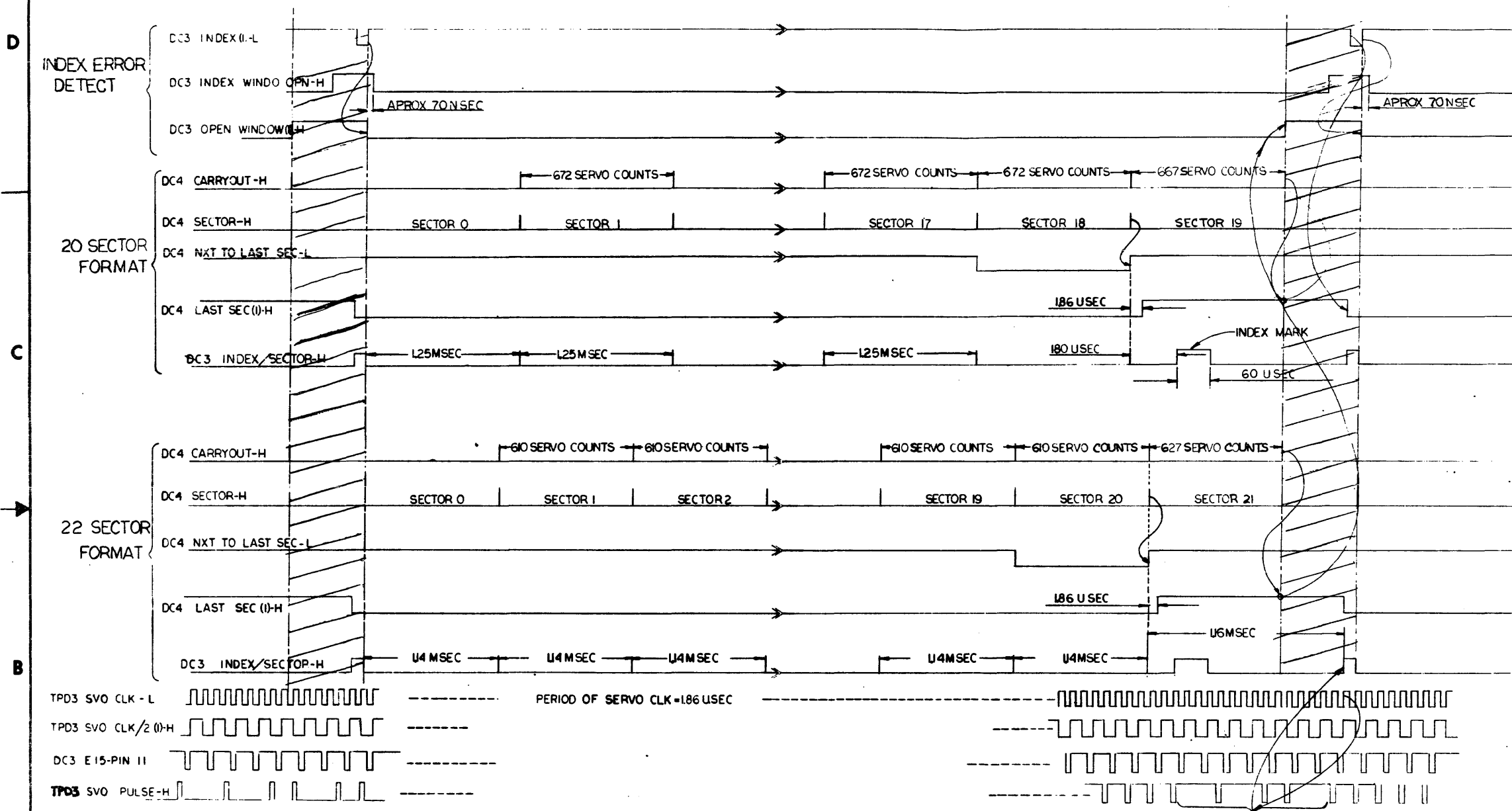
DRIVE START UP TIMING

DRN. <i>W. Lloyd</i>	DATE <i>12/1/77</i>	FIRST USED ON	<i>RK07</i>
CHK'D <i>J. Brown</i>	DATE <i>3/2/78</i>	TITLE	START UP TIMING RK07
ENGL <i>W. Lloyd</i>	DATE <i>12/1/77</i>	NEXT HIGHER ASSY.	
PROD. ENG. <i>W. Lloyd</i>	DATE <i>12/1/77</i>	SIZE CODE	D
SCALE		NUMBER	1
SHEET 1 OF 1	DIST.		

REVISIONS
 CHANGE NO.
 DATE

"THIS DRAWING AND SPECIFICATIONS HEREIN ARE THE PROPERTY OF DIGITAL EQUIPMENT CORPORATION AND SHALL NOT BE REPRODUCED OR COPIED OR USED IN WHOLE OR IN PART AS THE BASIS FOR THE MANUFACTURE OR SALE OF ITEMS WITHOUT WRITTEN PERMISSION.
 COPYRIGHT © 1974 DIGITAL EQUIPMENT CORPORATION"

NOTES:



SPECIFIC PATTERN (01010) OF MISSING TRIBITS ON SERVO SURFACE.

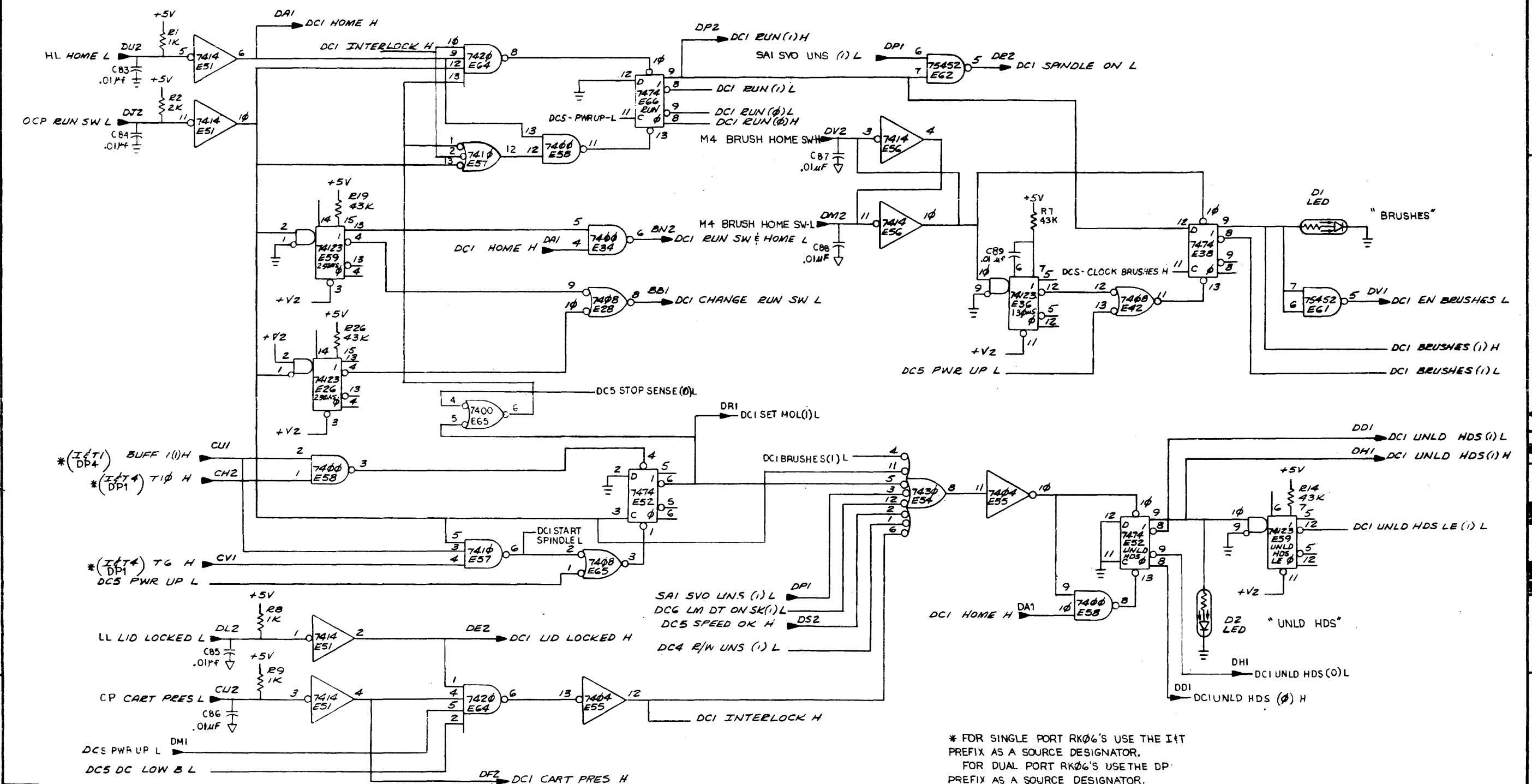
1. THE TIME SCALE OF THE SHADED AREA HAS BEEN EXPANDED OUT OF PROPORTION.
2. THE INDEX ERROR DETECT IS UTILIZED IN BOTH 20 AND 22 SECTOR FORMAT. THE NEXT TO LAST SECTOR PRELOAD ADJUSTS THE CARRYOUT AT THE END OF THE LAST SECTOR SUCH THAT OPEN WINDOW IS IN THE SAME PLACE REGARDLESS OF THE FORMAT.
3. SECTOR PULSE ϕ IS 3.72 USEC WIDE. ALL OTHER SECTOR PULSES ARE 1.86 USEC WIDE.

IC TYPE	GND	+5V
GND AND 5V ARE USUALLY PIN 7 AND 14 RESPECTIVELY EXCEPTIONS ARE STATED ABOVE		
IC PIN LOCATIONS		

FIRST USED ON OPTION MODEL RK06		QTY	REF. DESIGNATION	DESCRIPTION	PART NO.	ITEM NO.
PARTS LIST						
ETCH BOARD REV.						
DRN.	DATE	digital				
CHK'D.	DATE	TITLE SECTOR COUNTER TIMING				
ENG.	DATE	B-DD-RK06-0				
PROD. ENG.	DATE	SIZE CODE NUMBER REV.				
PROD.	DATE	D TD RK06-0-8 A				
NEXT HIGHER ASSY		SCALE				
DEC NO.	EIA NO.	DEC NO.	EIA NO.	SHEET 1 OF 1		
SEMICONDUCTOR CONVERSION CHART						

REV. A
NUMBER 8-0-8
D TD RK06-0-8

THIS DRAWING AND SPECIFICATIONS HEREIN ARE THE PROPERTY OF DIGITAL EQUIPMENT CORPORATION AND SHALL NOT BE REPRODUCED OR COPIED OR USED IN WHOLE OR IN PART AS THE BASIS FOR THE MANUFACTURE OR SALE OF ITEMS WITHOUT WRITTEN PERMISSION. COPYRIGHT © 1974, DIGITAL EQUIPMENT CORPORATION.

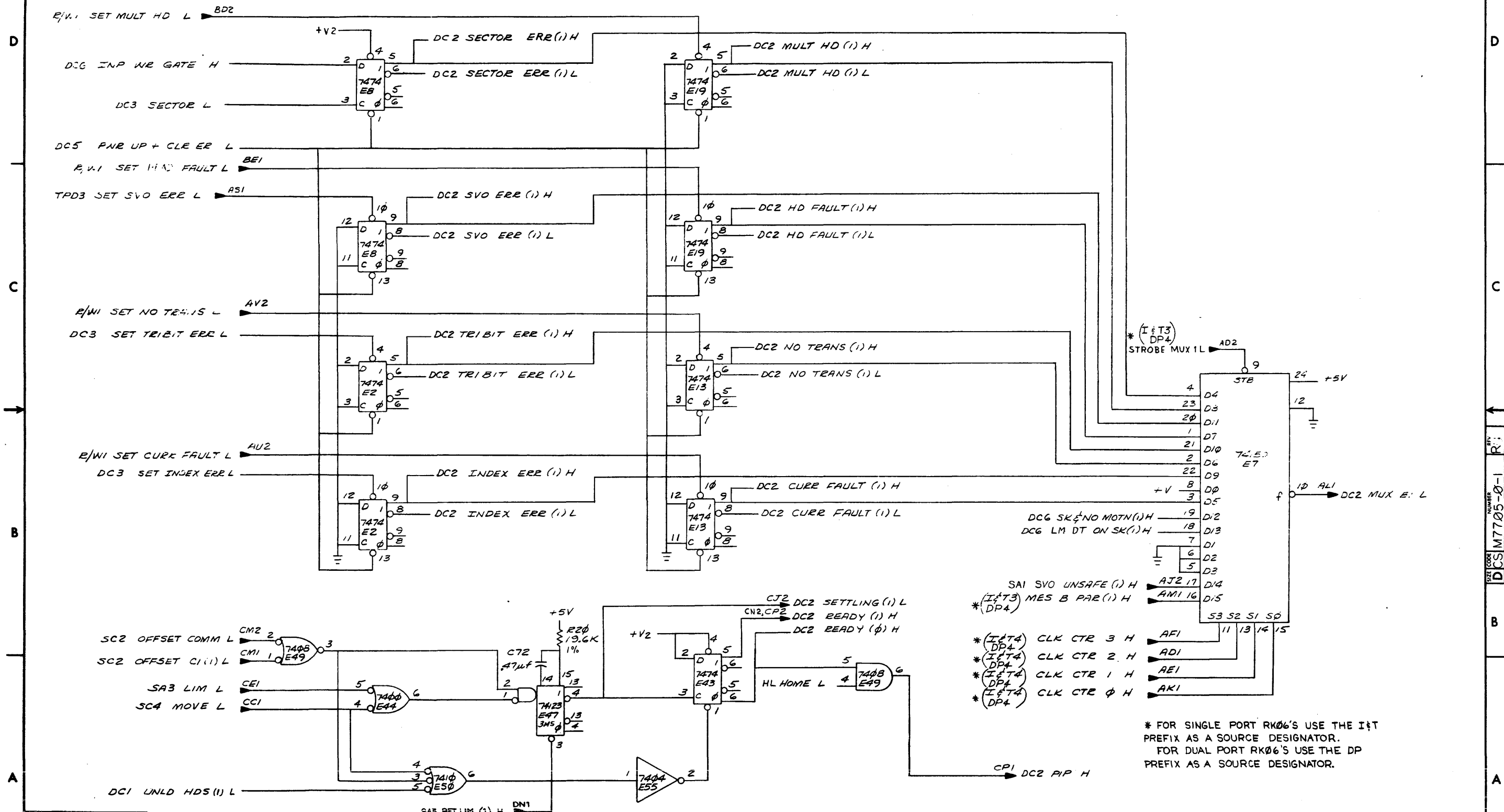


* FOR SINGLE PORT R ϕ 'S USE THE I ∇ T PREFIX AS A SOURCE DESIGNATOR.
 FOR DUAL PORT R ϕ 'S USE THE DP PREFIX AS A SOURCE DESIGNATOR.

REV.	DATE	BY	CHK'D	APP'D	DESCRIPTION
1	10/17/74	P. CASTELLANOS			INITIAL DESIGN
2	11/14/74	P. CASTELLANOS			REVISED FOR M7705-0-1
3	12/10/74	P. CASTELLANOS			REVISED FOR M7705-0-1
4	1/15/75	P. CASTELLANOS			REVISED FOR M7705-0-1
5	2/10/75	P. CASTELLANOS			REVISED FOR M7705-0-1
6	3/10/75	P. CASTELLANOS			REVISED FOR M7705-0-1
7	4/10/75	P. CASTELLANOS			REVISED FOR M7705-0-1
8	5/10/75	P. CASTELLANOS			REVISED FOR M7705-0-1

DATE	2/19/76	FIRST USED ON	RK06
CHK'D	10/11/74		
ENGR	2/19/76	TITLE	DRIVE CONTROL LOGIC (DCI)
PROJ. ENG.	2/19/76	SCALE	1:1
PROD. ENG.		SIZE	CODE
NEXT HIGHER ASSY.		NUMBER	M7705-0-1
D. U.A. M7705-0-0		REV.	2
SHEET 1 OF 3		DIST.	

THIS DRAWING AND SPECIFICATIONS HEREIN ARE THE PROPERTY OF DIGITAL EQUIPMENT CORPORATION AND SHALL NOT BE REPRODUCED OR COPIED OR USED IN WHOLE OR IN PART AS THE BASIS FOR THE MANUFACTURE OR SALE OF ITEMS WITHOUT WRITTEN PERMISSION. COPYRIGHT © 1976 DIGITAL EQUIPMENT CORPORATION



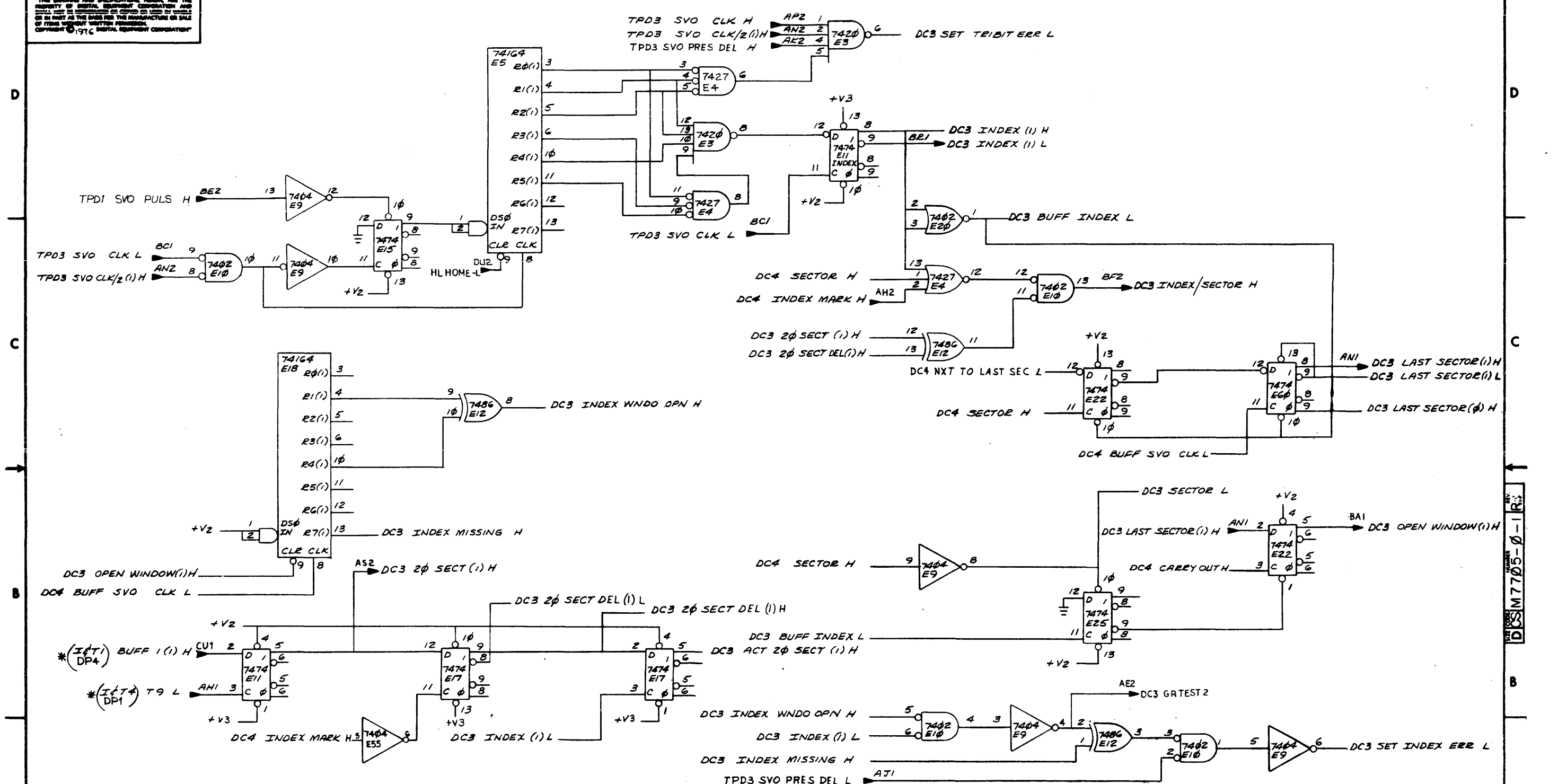
SAI SVO UNSAFE (1) H
 * (I,T3) MES B PAR (1) H
 * (DP4)

* (I,T4) CLK CTR 3 H
 * (I,T4) CLK CTR 2 H
 * (DP4) CLK CTR 1 H
 * (I,T4) CLK CTR 0 H
 * (DP4)

* FOR SINGLE PORT RKO'S USE THE I,T PREFIX AS A SOURCE DESIGNATOR.
 FOR DUAL PORT RKO'S USE THE DP PREFIX AS A SOURCE DESIGNATOR.

REVISIONS		
CHK	CHANGE NO.	REV.

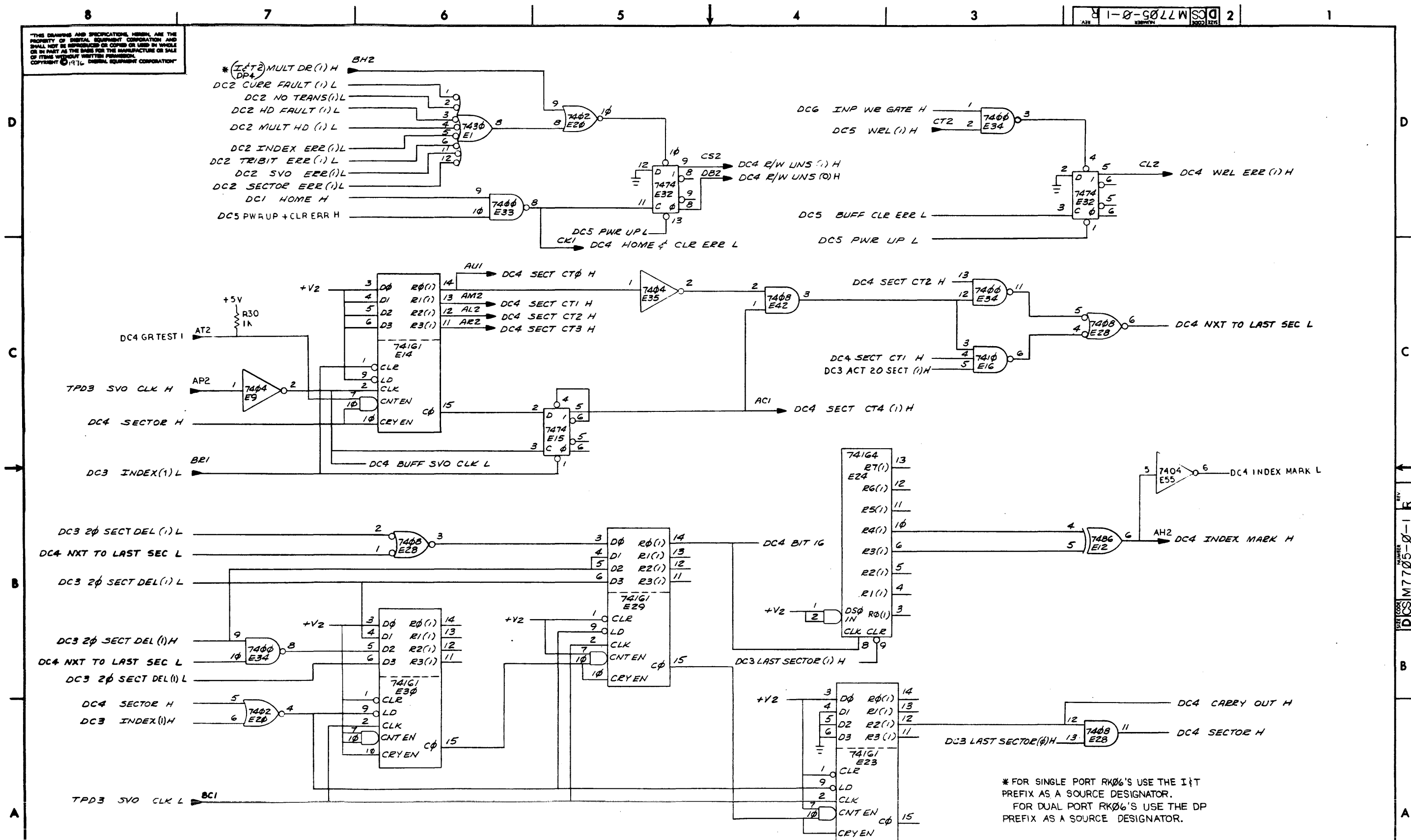
THE DRAWING AND SPECIFICATIONS HEREIN ARE THE PROPERTY OF DIGITAL EQUIPMENT CORPORATION AND SHALL NOT BE REPRODUCED OR COPIED OR USED IN WHOLE OR IN PART AS THE BASIS FOR THE MANUFACTURE OR SALE OF ITEMS WITHOUT WRITTEN PERMISSION. COPYRIGHT © 1971 DIGITAL EQUIPMENT CORPORATION



* FOR SINGLE PORT RK06'S USE THE IIT PREFIX AS A SOURCE DESIGNATOR.
 FOR DUAL PORT RK06'S USE THE DP PREFIX AS A SOURCE DESIGNATOR.

REVISIONS		
CHK	CHANGE NO.	REV.

THIS DRAWING AND SPECIFICATIONS HEREIN ARE THE PROPERTY OF DIGITAL EQUIPMENT CORPORATION AND SHALL NOT BE REPRODUCED OR COPIED OR USED IN WHOLE OR IN PART AS THE BASIS FOR THE MANUFACTURE OR SALE OF ITEMS WITHOUT WRITTEN PERMISSION. COPYRIGHT © 1976 DIGITAL EQUIPMENT CORPORATION

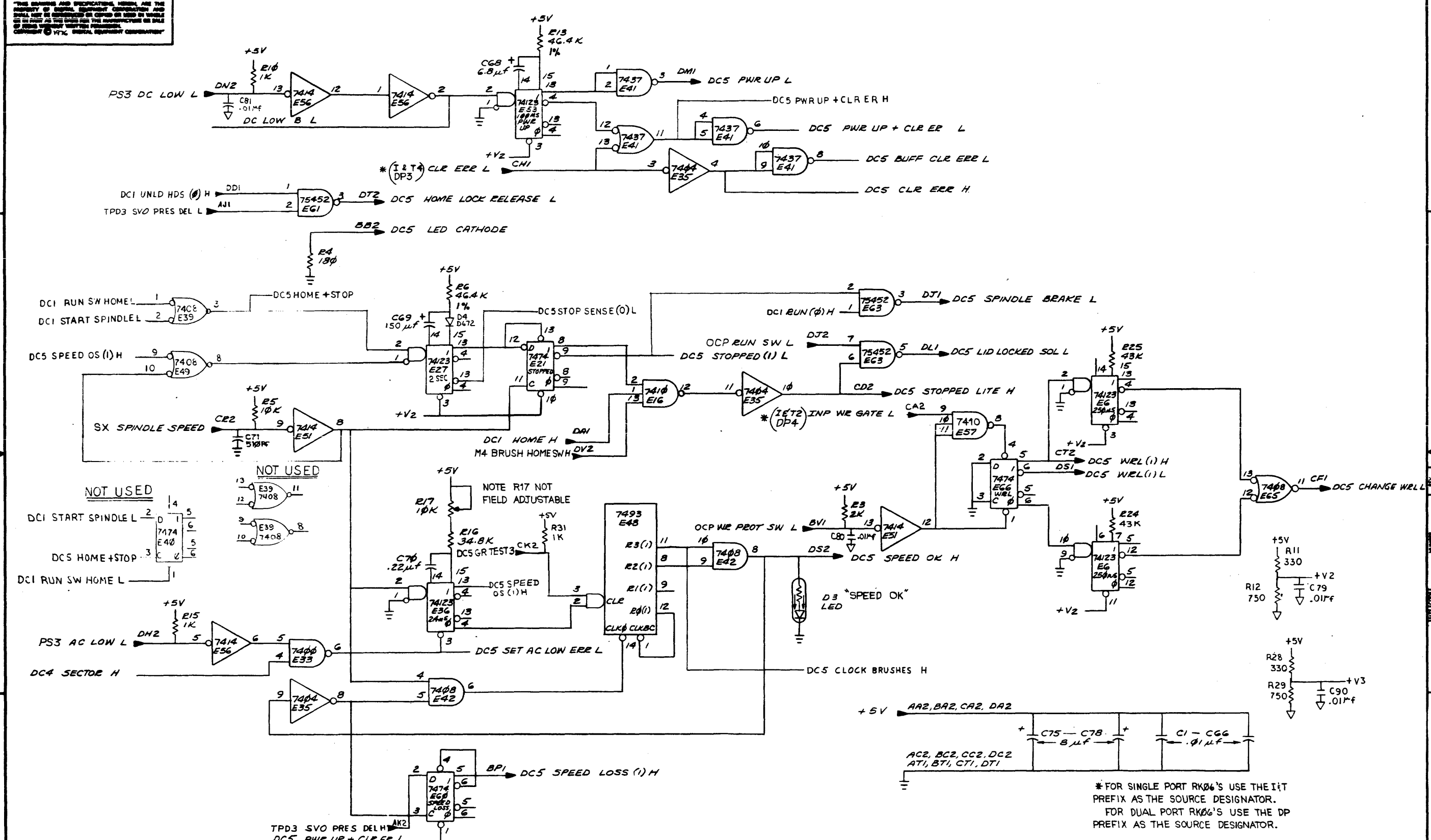


* FOR SINGLE PORT R/K06'S USE THE I/T PREFIX AS A SOURCE DESIGNATOR.
 FOR DUAL PORT R/K06'S USE THE DP PREFIX AS A SOURCE DESIGNATOR.

REVISIONS		
CHK	CHANGE NO.	REV.

DCS M7705-0-1 R

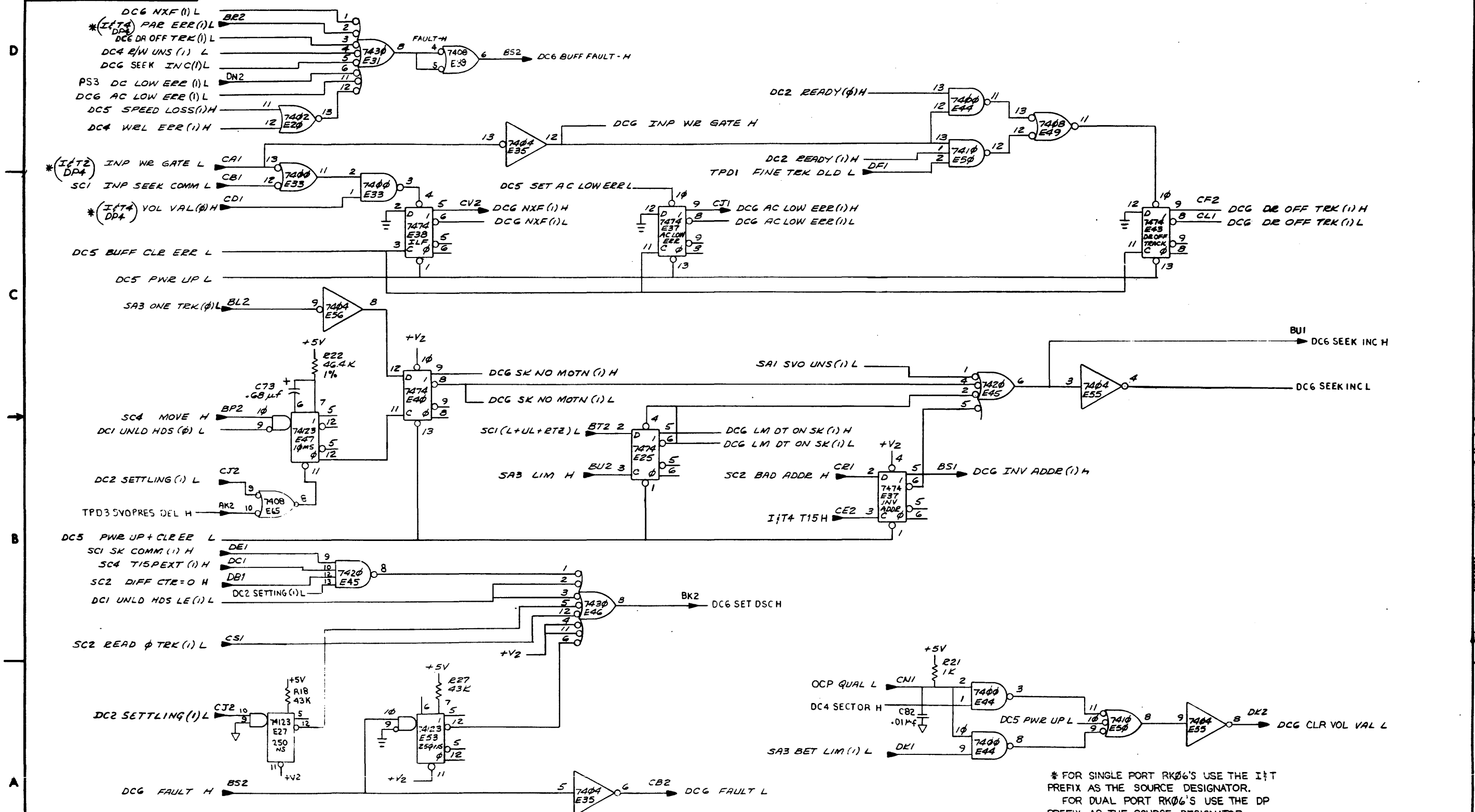
THE DRAWING AND SPECIFICATIONS HEREIN ARE THE PROPERTY OF SERIAL EQUIPMENT CORPORATION AND SHALL NOT BE REPRODUCED OR COPIED OR USED IN WHOLE OR IN PART AS THE BASIS FOR THE MANUFACTURE OR SALE OF ANY EQUIPMENT WITHOUT PERMISSION. COPYRIGHT © 1974, SERIAL EQUIPMENT CORPORATION



REVISIONS		
CHK	CHANGE NO.	REV.

TITLE	(DC5) DRIVE CONTROL LOGIC	SIZE/DOOR	NUMBER	REV.
SCALE	1/1	SHEET	5 OF 6	R

THE DRAWING AND SPECIFICATIONS HEREIN ARE THE PROPERTY OF DIGITAL EQUIPMENT CORPORATION AND SHALL NOT BE REPRODUCED OR COPIED OR USED IN WHOLE OR IN PART AS THE BASIS FOR THE MANUFACTURE OR SALE OF ITEMS WITHOUT WRITTEN PERMISSION. COPYRIGHT © 1976 DIGITAL EQUIPMENT CORPORATION



* FOR SINGLE PORT RKO'S USE THE I:T PREFIX AS THE SOURCE DESIGNATOR.
 FOR DUAL PORT RKO'S USE THE DP PREFIX AS THE SOURCE DESIGNATOR.

REVISIONS		
CHK	CHANGE NO.	REV.

DCS M7705-0-1 R

LINE ITEM	DOCUMENT NUMBER	PART NUMBER	DESCRIPTION	QTY PER VARIATION	REFERENCE DESIGNATOR
				00	
1	1	D-CS-M7705-0-1	DRIVE CONTROL LOGIC (C.S.)	REF	
2	2	D-UA-M7705-0-0	DRIVE CONTROL LOGIC	REF	
3	3	B-MH-M7705-0-6	MODULE ECO HISTORY	REF	
4	4	5011260-00	M7705	1	
5	5	1001610-00	.01 MFD 50V +80-20% 25U CER	78	C1-C66,C79-C90
6	6	1010031-03	.22 MFD 50V 10% M.POLYCARB	1	C70
7	7	1005965-00	.47 MFD 35V 10% S.TANT	1	C72
8	8	1005306-00	6.8MFD 35V 10% S.TANT	1	C68
9	9	1012084-01	8 MFD 25V +75-10% AL EL	4	C75-C78
10	10	1112689-00	LED .8MCD@16MA VF=5V	3	D1-D3
11	11	1300479-00	10.0 K .25 W 5.0 % CC	1	R5
12	12	1301322-00	180.0 .25 W 5.0 % CC	1	R4
13	13	1300295-00	330.0 .25 W 5.0 % CC	2	R11,R28
14	14	1300365-00	1.0 K .25 W 5.0 % CC	8	R1,R8,R9,R10,R15,R21,R30,R31
15	15	1301401-00	750.0 .25 W 5.0 % CC	2	R12,R29
16	16	1304838-00	43.0 K .25 W 5.0 % CC	8	R7,R14,R19,R18,R24-R27
17	17	1303311-00	46.40 K .25 W 1.0 % RN55D-F10	3	R6,R13,R22
18	18	1309143-10	10.0 K .75 W 10.0 % POT	1	R17
19	19	1303156-00	34.80 K .25 W 1.0 % RN55D-F10	1	R16
20	20	1309419-00	19.60 K .25 W 1.0 % RN55D-F10	1	R20
21	21	1302388-00	2.0 K .25 W 5.0 % CC	2	R2,R3
22	22	1905547-00	7474 FF-D DUAL,EDGE TRIGG	18	E2,E8,E11,E13,E15,E17,E19,E21, E22,E25,E32,E37,E38,E40,E43,E52, E60,E66
23	23	1905575-00	7400 NAND GATE-QUAD 2IN	4	E33,E34,E44,E58
24	24	1905576-00	7410 NAND GATE-TRIPLE 3IN	3	E16,E50,E57
25	25	1905577-00	7420 NAND GATE-DUAL 4INPU	3	E3,E45,E64
26	26	1905578-00	7430 NAND GATE-SINGLE 8IN	4	E1,E31,E46,E54
27	27	1909004-00	DEC 7402 NOR GATE-QUAD 2IN	2	E10,E20
28	28	1909054-00	7493 COUNTER,ASYNCH UP,BI	1	E48

CONT
CONT

REVISION HISTORY			BASIC PART NO: M7705		DRN: L. METZGER		DATE: 17-JAN-78		DIGITAL			
ENG	ECO NUMBER	REV	SECTION A	OF A	CHK'D:	H. DARAKJIAN	DATE:	17-JAN-78	TITLE	PARTS LIST		
W.H	00009	M	SECTION	VARIATION INDEX	CHK'D:	H. DARAKJIAN	DATE:	17-JAN-78	TITLE	PARTS LIST		
M.C	M7705-ML011	N	[A]	00					DRIVE CONTROL LOGIC			
MC	M7705-ML013	P	[B]									
MC	M7705-ML014	R	[C]		DES.ENG:	R. LAWSON	DATE:	17-JAN-78				
			[D]									
			[E]									
			[F]		RESP.ENG.:	R. LAWSON	DATE:	17-JAN-78				
			[H]						SIZE	CODE	NUMBER	REV
			[J]						K	PL	M7705-0-DBP	R
			[K]		MFG.ENG.:	C. POWELL	DATE:	17-JAN-78				
			[L]									
			[M]		ASSEMBLY NUMBER:		TOP DOCUMENT NUMBER:		FILE NAME:	EDIT #		
			[N]		D-UA-M7705-0-0		B-DG-M7705-0		Z1484R.PLS	16		

"THIS DRAWING AND SPECIFICATIONS HEREIN, ARE THE PROPERTY OF DIGITAL EQUIPMENT CORPORATION AND SHALL NOT BE REPRODUCED OR COPIED OR USED IN WHOLE OR IN PART AS THE BASIS FOR THE MANUFACTURE OR SALE OF ITEMS WITHOUT WRITTEN PERMISSION. COPYRIGHT (C) 1980. DIGITAL EQUIPMENT CORPORATION"

LINE	ITEM	DOCUMENT NUMBER	PART NUMBER	DESCRIPTION	QTY	PER VARIATION	REFERENCE DESIGNATOR
29	30		1909886-00	DEC 7404 INVERTER GATE-HEX 11	3		E9, E35, E55
30	31		1910041-00	DEC 74164 SHIFT REG. 8BIT SERI	3		E9, E18, E24
31	32		1910153-00	DEC 74150 MUX 1 OF 16	1		E7
32	33		1910155-00	DEC 7408 AND GATE, POS. QUAD 2I	5		E28, E42, E49, E65, E39
33	34		1910091-00	DEC 7437 AND GATE-QUAD 2IN, BU	1		E41
34	35		1910645-00	DEC 75452 DRIVER, PERIPH, DUAL	3		E61, E62, E63
35	36		1910011-00	DEC 7486 X-OR GATE-DUAL, RETRIG	1		E12
36	37		1910436-00	DEC 74123 ONE SHOT-DUAL, TRIP	7		E6, E26, E27, E36, E47, E53, E59
37	38		1910650-00	DEC 74161 COUNTER, SYNCHR. UP	4		E14, E23, E29, E30
38	39		1910878-00	74127 NOR GATE-TRIPLE 3IN	1		E4
39	40		1911324-00	7414 INVERTER HEX 1IN SCH	2		E4
40	41		9000024-01	EYELET, ROLLED FLANGE, .121 OD X	8		E51, E55
41	42		1213113-01	HANDLE, MODULE	1		
42	43		1009964-00	.68 MFD 35V 10% S. TANT	1		C73
43	44		9105740-55	WIRE(WRAP) 30AWG UL1423	A/R		
44	45		1105275-00	D 572 TR= 15NS PIV= 60V SI	1		D4
45	46		1005572-00	150 MFD 6V 20% S. TANT	1		C69
46	47		1002476-00	510.0 MMF 100V 5% 200PFM MICA	1		C71
47	48		9107256-00	TUBING, THIN WALL, .027ID	A/R		
48	49			DRILL AND ETCH DRAWING	REF		
				ETCH CUT DRAWING	REF		

SO NOTE: ITEM #39: USE ONLY FAIRCHILD AND T.I. PARTS.

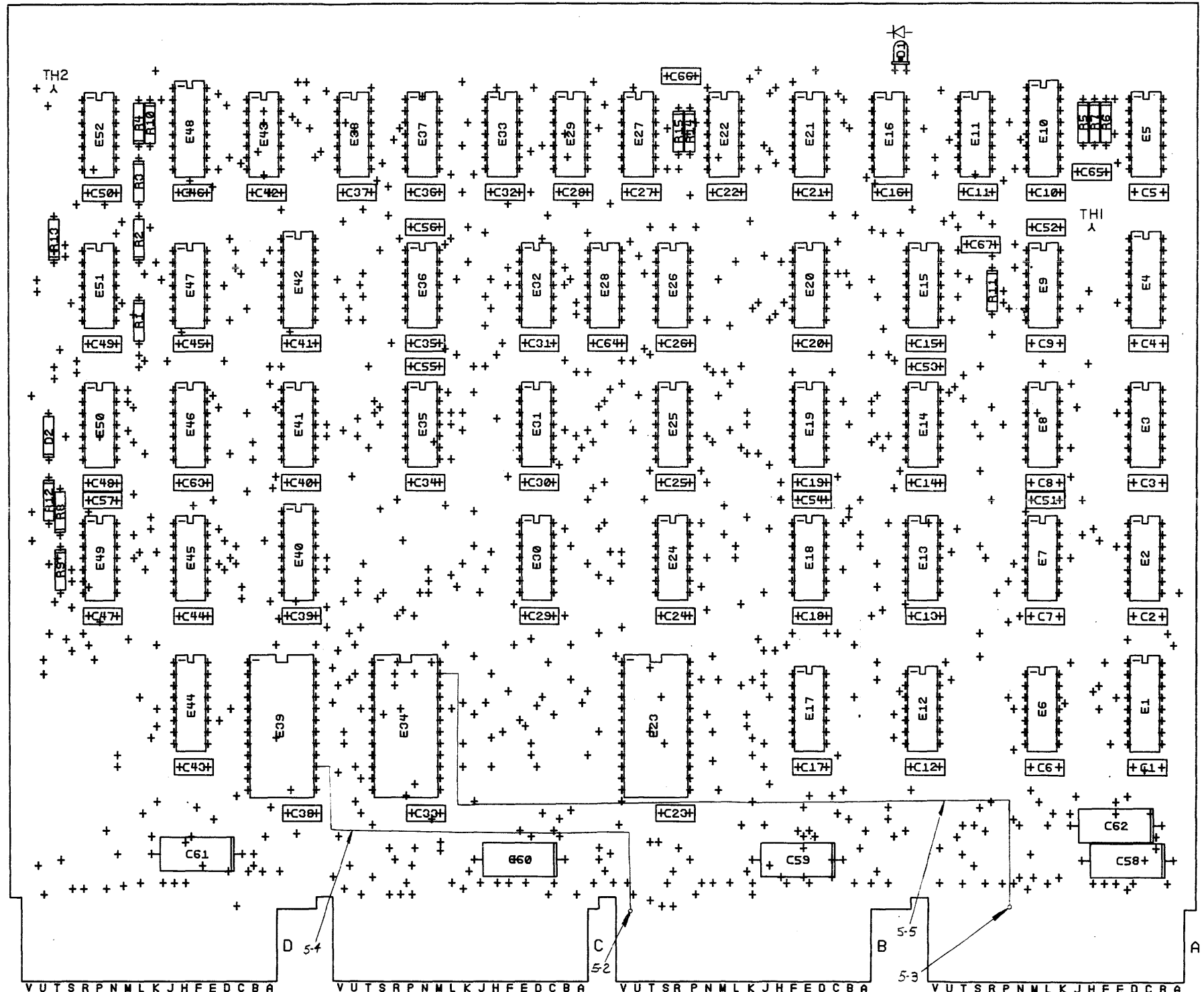
TITLE: DRIVE CONTROL LOGIC
 SECTION A OF A
 SIZE: K PL
 DOCUMENT NUMBER: M7705-0-D3P
 REV: R

THIS DRAWING AND SPECIFICATIONS, HEREIN, ARE THE PROPERTY OF AEGION ELECTRONIC CORPORATION AND SHALL NOT BE REPRODUCED OR COPIED OR USED IN WHOLE OR IN PART IN THE FABRICATION OF THIS DRAWING OR IN ANY OTHER MANNER WITHOUT WRITTEN PERMISSION.
COPYRIGHT © 1977 AEGION ELECTRONIC CORPORATION

COMPONENT SIDE VIEW

REWORK INSTRUCTIONS:

- ECO #5
 ETCH CUT SIDE 1:
 51 CUT BETWEEN E34-4 & E34-23 (PRIOR TO INSTALLATION OF E34)
 HOLE ADDS
 52 ADD HOLE AT LOCATION BU-BV AS SHOWN
 HAND DRILL #60 (.040 DIA) HOLE.
 53 ADD HOLE AT LOCATION AN-AP AS SHOWN
 HAND DRILL #60 (.040 DIA) HOLE.
 WIRE ADDS SIDE 1:
 54 ADD WIRE AT E39-15 TO BT2 (THROUGH HOLE BETWEEN BU AND BV)
 55 ADD WIRE AT E34-23 TO AM2 (THROUGH HOLE BETWEEN AN AND AM)



NOTES: 1. DO NOT INSTALL E38.

CHANGE NO	REV	DATE	BY	CHK'D
1	F	2-22-77	R. LAWSON	
2	F	2-24-77	R. LAWSON	

HOLE DATA	
SYMBOL	+ X P Z H Δ D ◊ *
FIN HOLE SIZE	Ø.38 .156
PLATED	✓ ✓
NON PLATED	
QTY.	1712 2
○-OFF GRD HLE	
DRILL SIZE	

BOARD FABRICATION INFORMATION	
PANEL SIZE	QUAD 8.54 X 11.75
PANEL DATA	DWG.# D-MD-7605819-0-0
PANEL MAT'L	.052 THK
QTY. OF LAYERS	2
COPPER THICKNESS	1 OZ
PTH.	PRINT AND ETCH NO
MODULE INSERTED 100 TIMES OR MORE?	NO

SIGNATURES		DATE
DRN.	<i>[Signature]</i>	2-22-77
CHK'D.	<i>[Signature]</i>	2-23-77
ENG.	<i>[Signature]</i>	2-24-77
PROJ. ENG.	<i>[Signature]</i>	2-24-77
PROD.		
SCALE	2/1	
SHT.	1 OF 4	
NEXT HIGHER ASSY.		

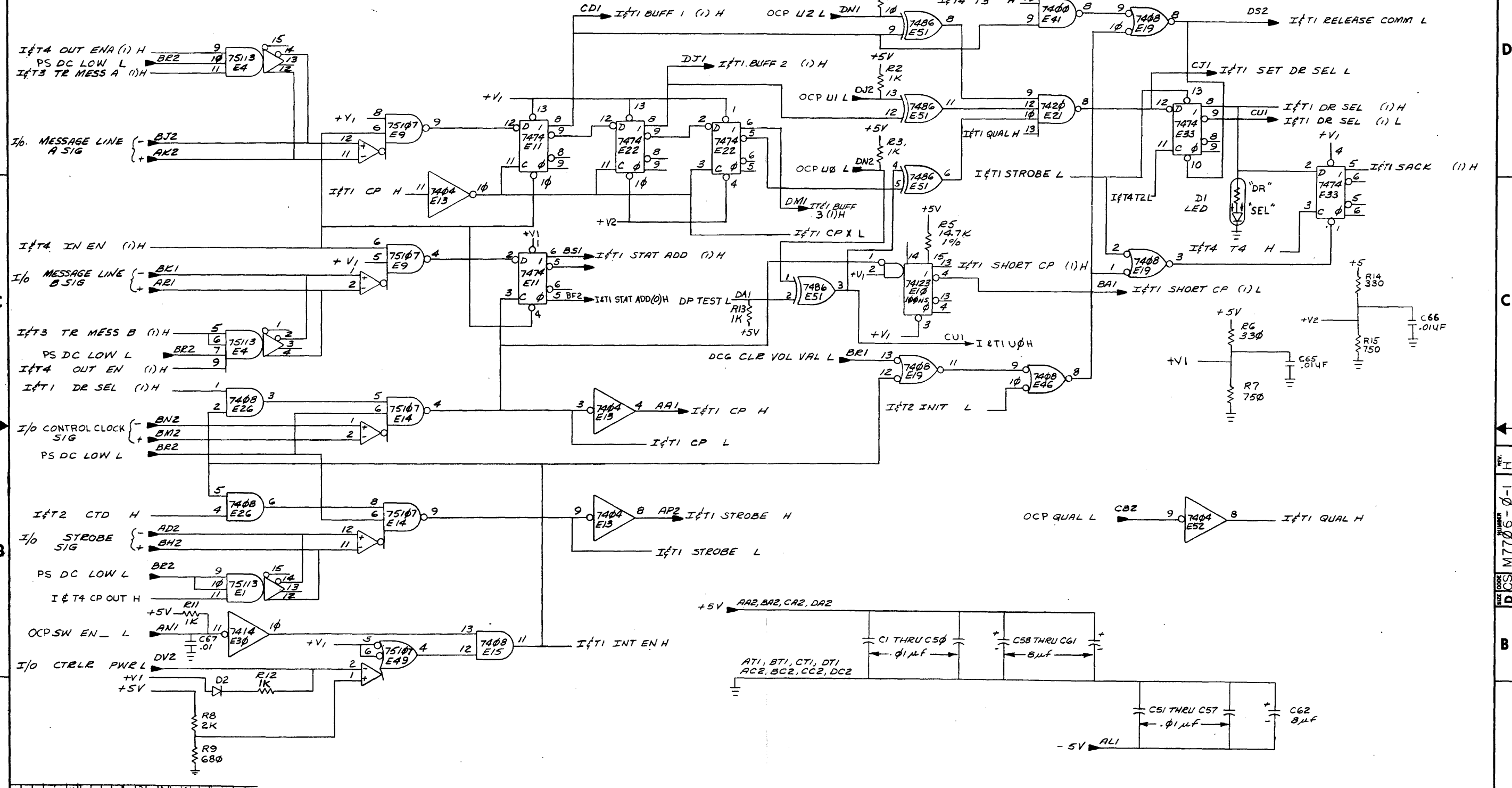
TITLE		DRILL AND ETCH DRAWING	
SIZE	CODE	NUMBER	REV
D	AH	M7706-0-5	H
ETCH REV.		D	

D/AH M7706-0-5

digital

1 MS#

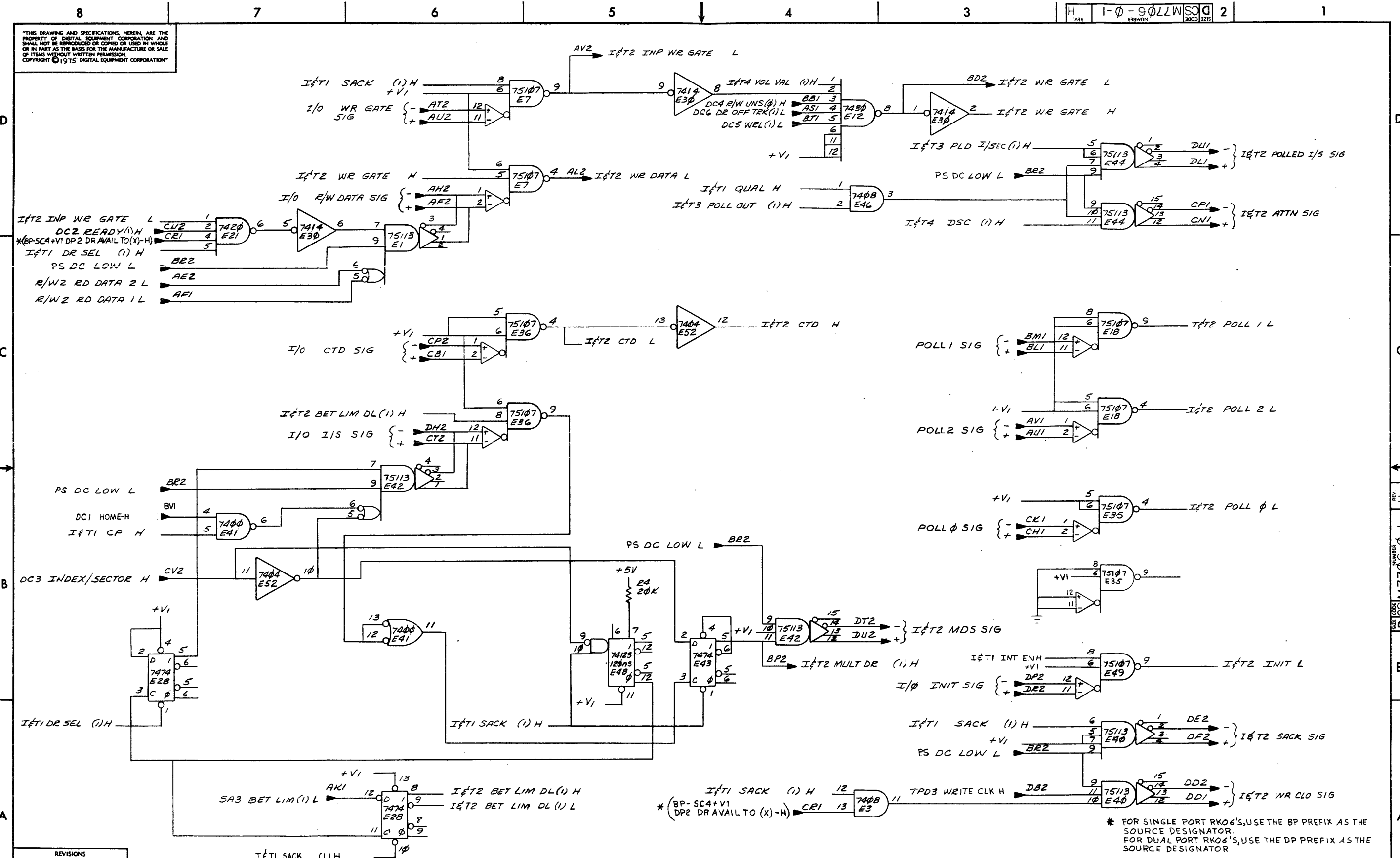
"THIS DRAWING AND SPECIFICATIONS, HEREIN, ARE THE PROPERTY OF DIGITAL EQUIPMENT CORPORATION AND SHALL NOT BE REPRODUCED OR COPIED OR USED IN WHOLE OR IN PART AS THE BASIS FOR THE MANUFACTURE OR SALE OF ITEMS WITHOUT WRITTEN PERMISSION. COPYRIGHT © 1975 DIGITAL EQUIPMENT CORPORATION"



REV.	CHG.	BY	DATE	DESCRIPTION
1		P. CASTELLANOS	25 JUN 75	INITIAL DESIGN
2		M. CASTELLANOS	28 JUN 75	REVISED FOR MANUFACTURE
3		M. CASTELLANOS	28 JUN 75	REVISED FOR MANUFACTURE
4		M. CASTELLANOS	28 JUN 75	REVISED FOR MANUFACTURE
5		M. CASTELLANOS	28 JUN 75	REVISED FOR MANUFACTURE
6		M. CASTELLANOS	28 JUN 75	REVISED FOR MANUFACTURE
7		M. CASTELLANOS	28 JUN 75	REVISED FOR MANUFACTURE
8		M. CASTELLANOS	28 JUN 75	REVISED FOR MANUFACTURE

DRN. NO.	11120175	FIRST USED ON	RK06
CHK'D BY	26 NOV 75	TITLE	INTERFACE
ENG. NO.	23 MAR 76		TIMING (IFTI)
PROJ. ENG.	23 MAR 76		
PROD. ENG.	23 MAR 76		
NEXT HIGHER ASSY.			
SCALE	1/1	SIZE CODE	D CS M7706-0-1
SHEET	1 OF 4	NUMBER	
		REV.	H

"THIS DRAWING AND SPECIFICATIONS, HEREIN, ARE THE PROPERTY OF DIGITAL EQUIPMENT CORPORATION AND SHALL NOT BE REPRODUCED OR COPIED OR USED IN WHOLE OR IN PART AS THE BASIS FOR THE MANUFACTURE OR SALE OF ITEMS WITHOUT WRITTEN PERMISSION. COPYRIGHT © 1975 DIGITAL EQUIPMENT CORPORATION"



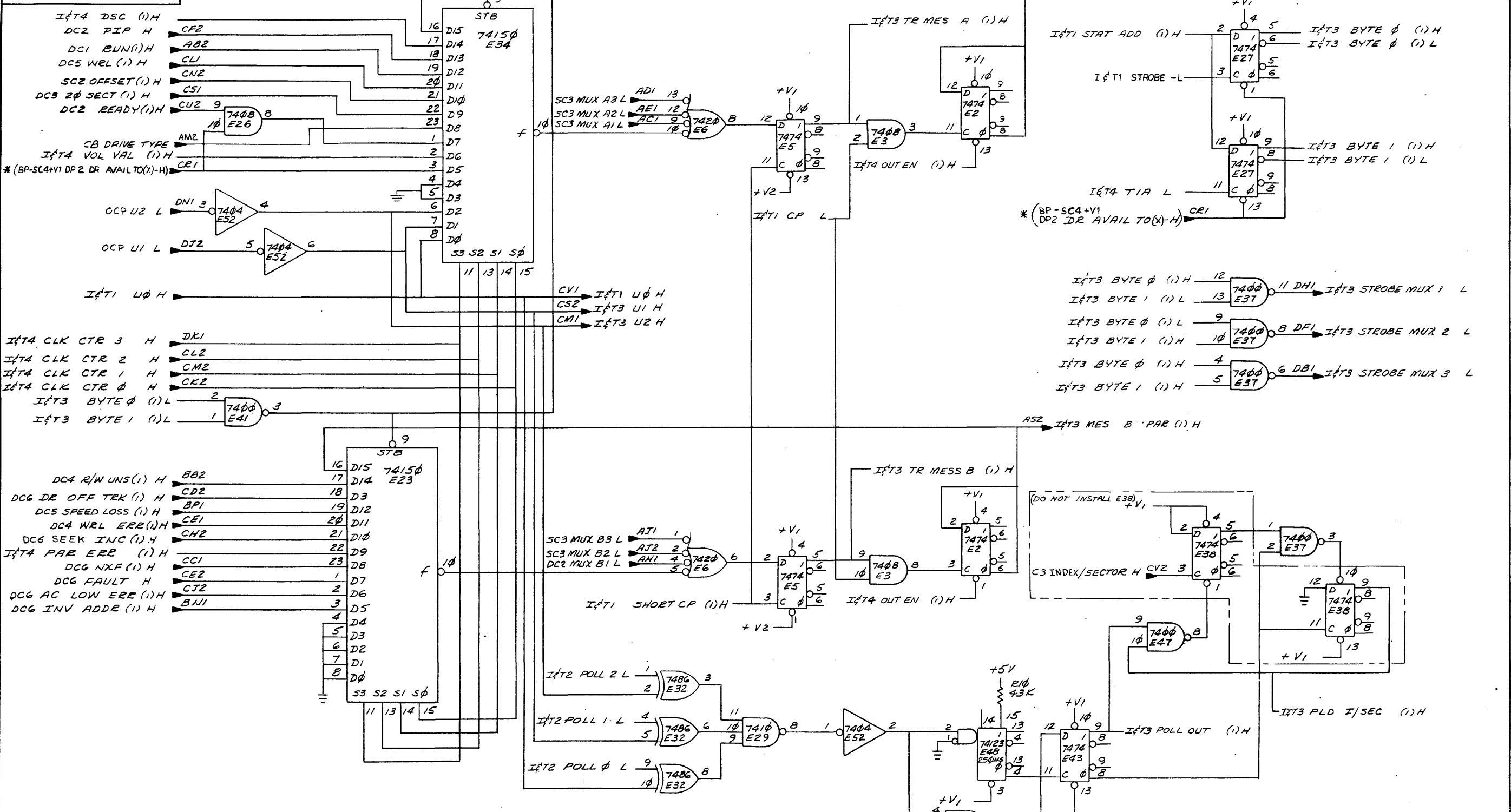
REVISIONS		
CHK	CHANGE NO.	REV.

DEC FORM NO. 010 128

TITLE	SIZE CODE	NUMBER	REV.
INTERFACE TIMING (IET2)	D CS	M7706-0-1	H
SCALE	SHEET	DIST.	
1/1	2 OF 4		

* FOR SINGLE PORT RKO6'S, USE THE BP PREFIX AS THE SOURCE DESIGNATOR. FOR DUAL PORT RKO6'S, USE THE DP PREFIX AS THE SOURCE DESIGNATOR.

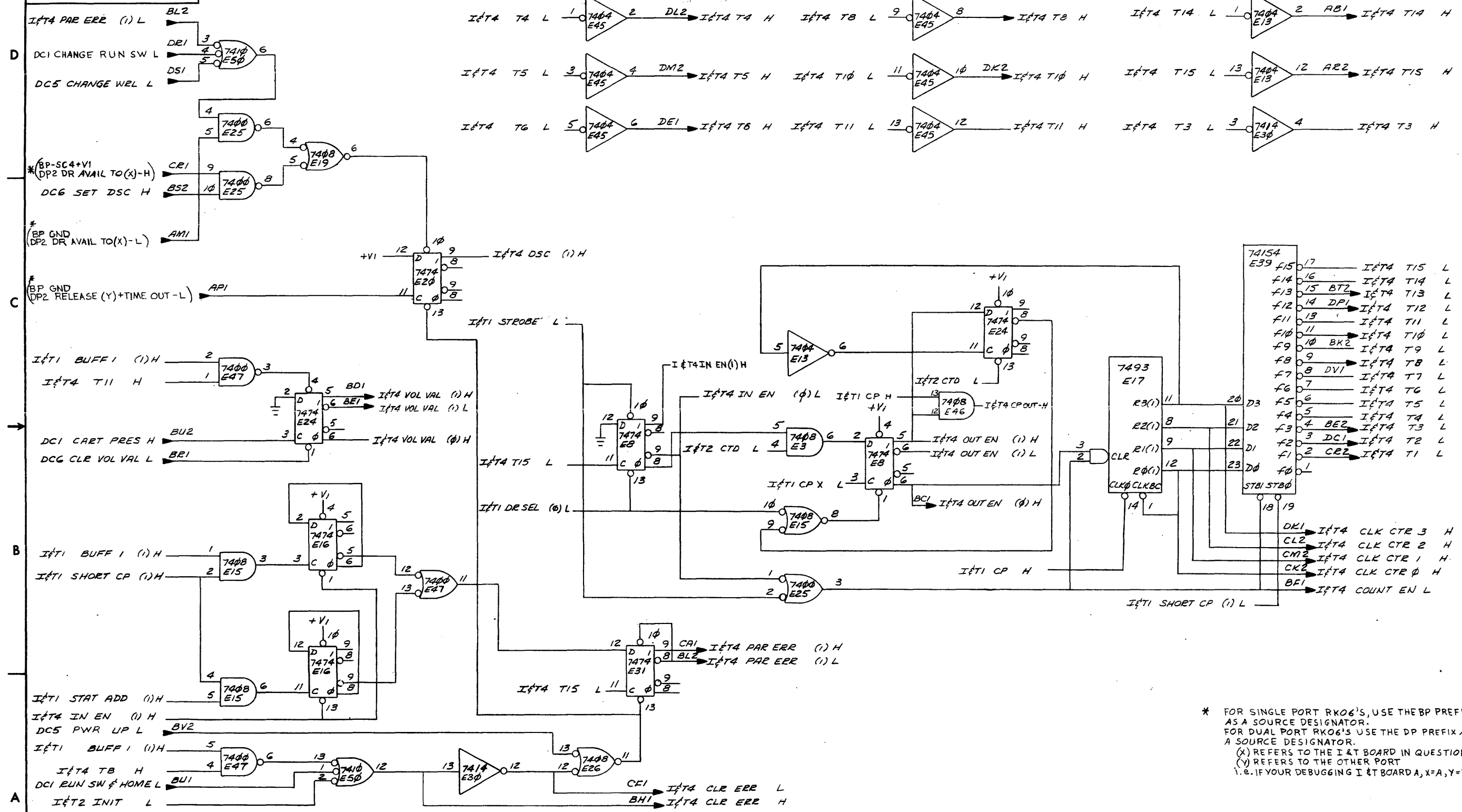
"THIS DRAWING AND SPECIFICATIONS, HEREIN, ARE THE PROPERTY OF DIGITAL EQUIPMENT CORPORATION AND SHALL NOT BE REPRODUCED OR COPIED OR USED IN WHOLE OR IN PART AS THE BASIS FOR THE MANUFACTURE OR SALE OF ITEMS WITHOUT WRITTEN PERMISSION. COPYRIGHT © 1975 DIGITAL EQUIPMENT CORPORATION"



REVISIONS		
CHK	CHANGE NO.	REV.

* FOR SINGLE PORT RKO6'S, USE THE BP PREFIX AS THE SOURCE DESIGNATOR. FOR DUAL PORT RKO6'S, USE THE DP PREFIX AS THE SOURCE DESIGNATOR.

"THIS DRAWING AND SPECIFICATIONS, HEREIN, ARE THE PROPERTY OF DIGITAL EQUIPMENT CORPORATION AND SHALL NOT BE REPRODUCED OR COPIED OR USED IN WHOLE OR IN PART AS THE BASIS FOR THE MANUFACTURE OR SALE OF ITEMS WITHOUT WRITTEN PERMISSION. COPYRIGHT © 1975 DIGITAL EQUIPMENT CORPORATION"



* FOR SINGLE PORT RKO6'S, USE THE BP PREFIX AS A SOURCE DESIGNATOR.
 FOR DUAL PORT RKO6'S USE THE DP PREFIX AS A SOURCE DESIGNATOR.
 (X) REFERS TO THE I & T BOARD IN QUESTION
 (Y) REFERS TO THE OTHER PORT
 I.E. IF YOUR DEBUGGING I & T BOARD A, X=A, Y=B

REVISIONS		
CHK	CHANGE NO.	REV.

TITLE	INTERFACE TIMING (IFT4)	SIZE CODE	NUMBER	REV.
SCALE	SHEET 4 OF 4	DIST.	DCS M7706-0-1	H

DIGITAL EQUIPMENT CORPORATION PARTS LIST				QUANTITY / VARIATION										NOTES:					
MADE BY L. METZGER DATE 10/10/75		CHECKED H. DARAKJIAN DATE 23 FEB 76		SECTION										REF DESIGNATION					
ENG R.E. LAWSON DATE 23 MAR 76		PROD C.E. POWELL DATE 23 MAR 76		ISSUED SECTION															
ITEM NO.	DRAWING NO.	PART NO.	DESCRIPTION																
	D-UA-M7706-0-0		DRILL & ETCH DRAWING	REF															
1	D-CS-M7706-0-1		INTERFACE & TIMING (C.S.)	REF															
2	D-AH-M7706-0-5		ASSY/DRILLING HOLE LAYOUT	REF															
3	B-MH-M7706-0-6		MODULE ECO HISTORY	REF															
4		5011609	ETCHED CIRCUIT BOARD	1															
5		1001610-00	CAP .01UF 50V CER	62														C1 THRU C57, C63 THRU C67	
6		1012084-01	CAP 8UF 25V 10%	5														C58 THRU C62	
7		1112689-00	DIODE LED	1														D1	
8		1105275-00	DIODE D672	1														D2	
9		1301424-00	RES 680 1/4W 5% CC	1														R9	
10		1300295-00	RES 330 1/4W 5% CC	2														R6, R14	
11		1300365-00	RES 1K 1/4W 5% CC	5														R1, R2, R3, R12, R13	
12		1302941-00	RES 14.7K 1/4W 1% MF	1														R5	
13		1301401-00	RES 750 1/4W 5% CC	2														R7, R15	
14		1304838-00	RES 43K 1/4W 5% CC	1														R10	
15		1302391-00	RES 20K 1/4W 5% CC	1														R4	
16		1302388-00	RES 2K 1/4W 5% CC	2														R8, R11	
17		1905547-00	IC 7474	13														E2, E5, E8, E11, E16, E20, E22, E24, E27, E28, E31, E33, E43	
18		1905575-00	IC 7400	4														E25, E37, E41, E47	
19		1905576-00	IC 7410	2														E29, E50	

E.C.O. NO.
0001
0002
0003
0004
0005

"THIS DRAWING AND SPECIFICATIONS, HEREIN, ARE THE PROPERTY OF DIGITAL EQUIPMENT CORPORATION AND SHALL NOT BE REPRODUCED OR COPIED OR USED IN WHOLE OR IN PART AS THE BASIS FOR THE MANUFACTURE OR SALE OF ITEMS WITHOUT WRITTEN PERMISSION. COPYRIGHT © DIGITAL EQUIPMENT CORPORATION"

TITLE
INTERFACE & TIMING

ASSY NO.
D-UA-M7706-0-0

SIZE CODE NUMBER
B PL M7706-0-0

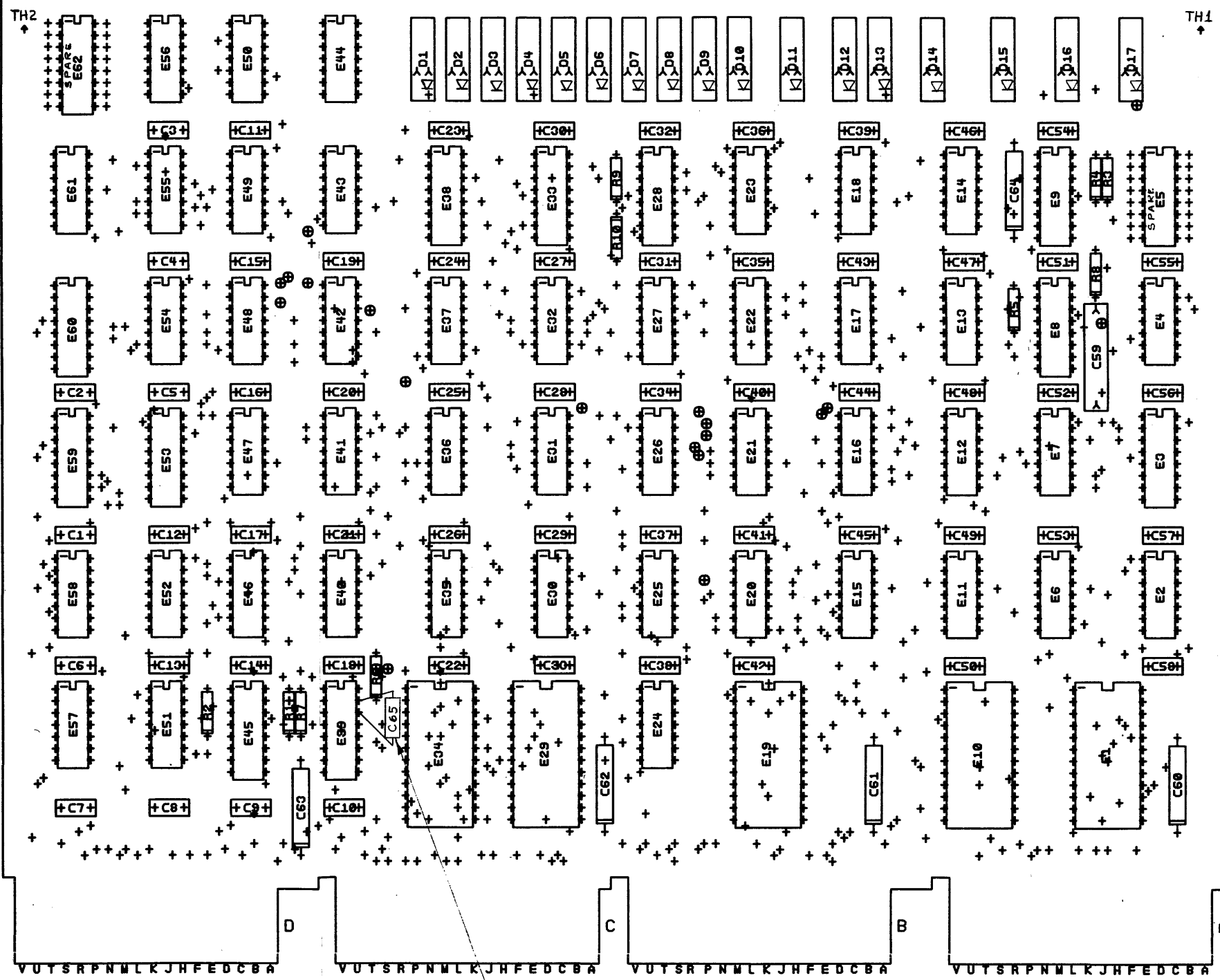
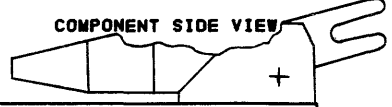
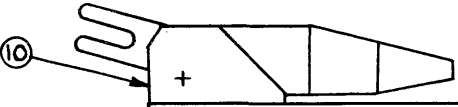
REV.
H

SHEET 1 OF 2

INSERTION PARTS LIST DATA BASE REV

THIS DRAWING AND ASSOCIATED PARTS, MATERIALS, AND THE INFORMATION CONTAINED HEREIN ARE THE PROPERTY OF THE UNITED STATES GOVERNMENT AND ARE TO BE REPRODUCED AND TRANSMITTED IN ANY FORM AND BY ANY MEANS, ELECTRONIC OR MECHANICAL, INCLUDING PHOTOCOPYING, RECORDING, OR BY ANY INFORMATION STORAGE AND RETRIEVAL SYSTEM, WITHOUT PERMISSION IN WRITING FROM THE UNITED STATES GOVERNMENT PRINTING OFFICE: 1978

COMPONENT SIDE VIEW



D
C
B
A

D
C
B
A

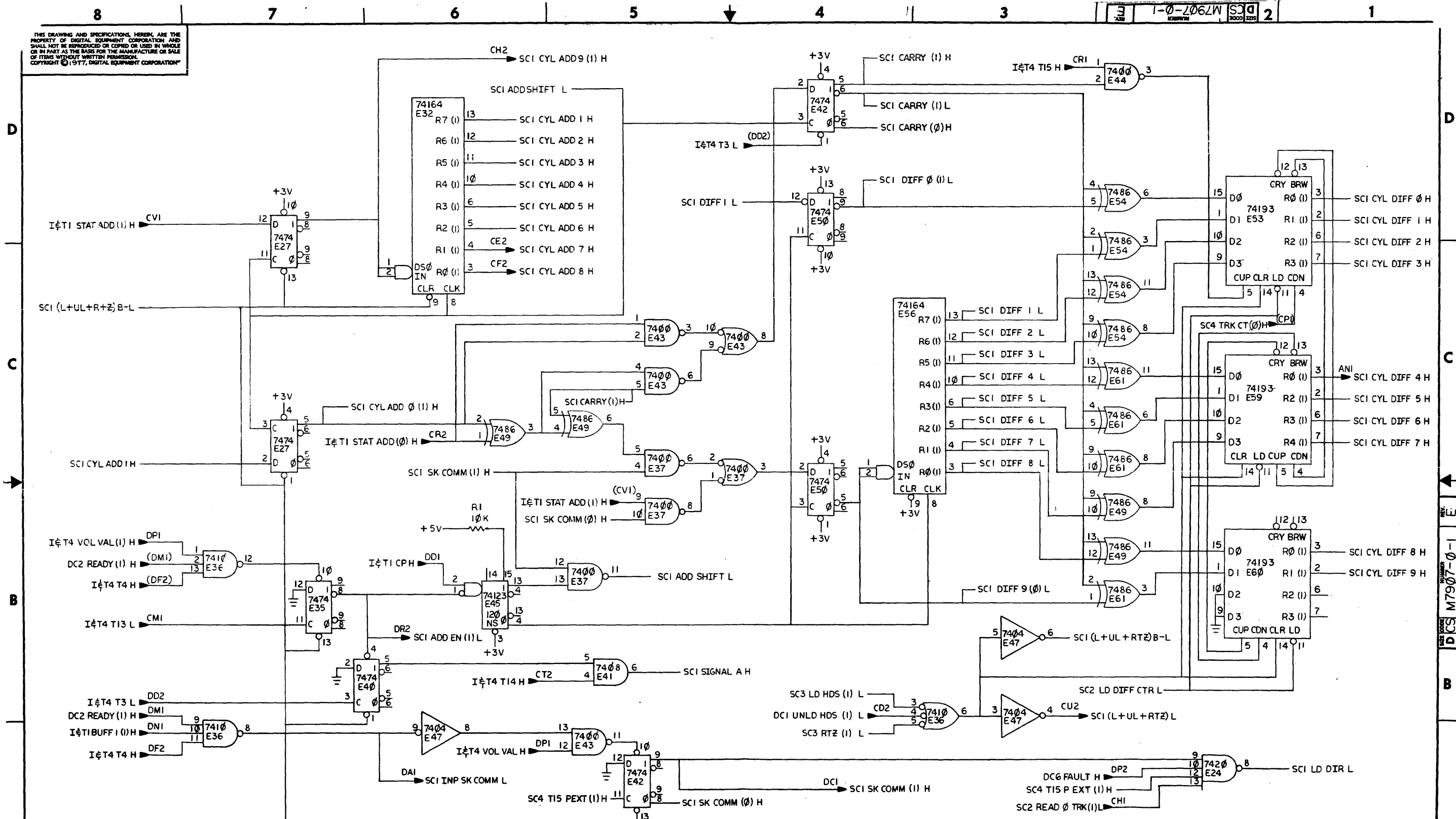
NOTES:

CHANGE NO	REV	REVISION	DATE

ETCH REV. B-PI
P.L. DESIGN DATA BASE REV. B

SIGNATURES	DATE	TITLE
DRN. P. NICHOLLS	5-12-78	digital SERVO CONTROL
CHK'D. <i>[Signature]</i>	5-30-78	
ENC. <i>[Signature]</i>	10-12-78	
PROJ. ENG. <i>[Signature]</i>	10-12-77	
PROD. <i>[Signature]</i>	10-4-77	
SCALE 2X		
SHT. 1 OF 4		
NEXT HIGHER ASSY. B-DD-M7907-0-0		

THIS DRAWING AND SPECIFICATIONS, HEREIN, ARE THE PROPERTY OF DIGITAL EQUIPMENT CORPORATION AND SHALL NOT BE REPRODUCED OR COPIED OR USED IN WHOLE OR IN PART AS THE BASIS FOR THE MANUFACTURE OR SALE OF ITEMS WITHOUT WRITTEN PERMISSION. COPYRIGHT © 1977, DIGITAL EQUIPMENT CORPORATION



REV.	DATE	BY	CHKD	DESCRIPTION
1	8-1-77	J. HUNT	M. CASTELLANOS	INITIAL DESIGN
2	8-1-77	J. HUNT	M. CASTELLANOS	REVISED FOR MANUFACTURE
3	8-1-77	J. HUNT	M. CASTELLANOS	REVISED FOR MANUFACTURE
4	8-1-77	J. HUNT	M. CASTELLANOS	REVISED FOR MANUFACTURE
5	8-1-77	J. HUNT	M. CASTELLANOS	REVISED FOR MANUFACTURE
6	8-1-77	J. HUNT	M. CASTELLANOS	REVISED FOR MANUFACTURE
7	8-1-77	J. HUNT	M. CASTELLANOS	REVISED FOR MANUFACTURE
8	8-1-77	J. HUNT	M. CASTELLANOS	REVISED FOR MANUFACTURE

DRN. <i>J. HUNT</i> 8-1-77	FIRST USED ON	RK07	digital
CHK'D. <i>M. CASTELLANOS</i> 8-30-77			
ENG. <i>J. HUNT</i> 8-3-77	TITLE		
PROJ. ENG. <i>J. HUNT</i> 9-6-77	SERVO CONTROL		
PROD. <i>J. HUNT</i> 11/17/77	(SCI)		
NEXT HIGHER ASSY.			
B-DD-(M7907)-0	SIZE CODE	NUMBER	REV.
SCALE NONE	D CS	M7907-0-1	E
SHEET 1 OF 4	DIST.		

REV. LU
D CS M7907-0-1

THIS DRAWING AND SPECIFICATIONS, HEREIN, ARE THE PROPERTY OF DIGITAL EQUIPMENT CORPORATION AND SHALL NOT BE REPRODUCED OR COPIED OR USED IN WHOLE OR IN PART AS THE BASIS FOR THE MANUFACTURE OR SALE OF ITEMS WITHOUT WRITTEN PERMISSION. COPYRIGHT © 1977 DIGITAL EQUIPMENT CORPORATION

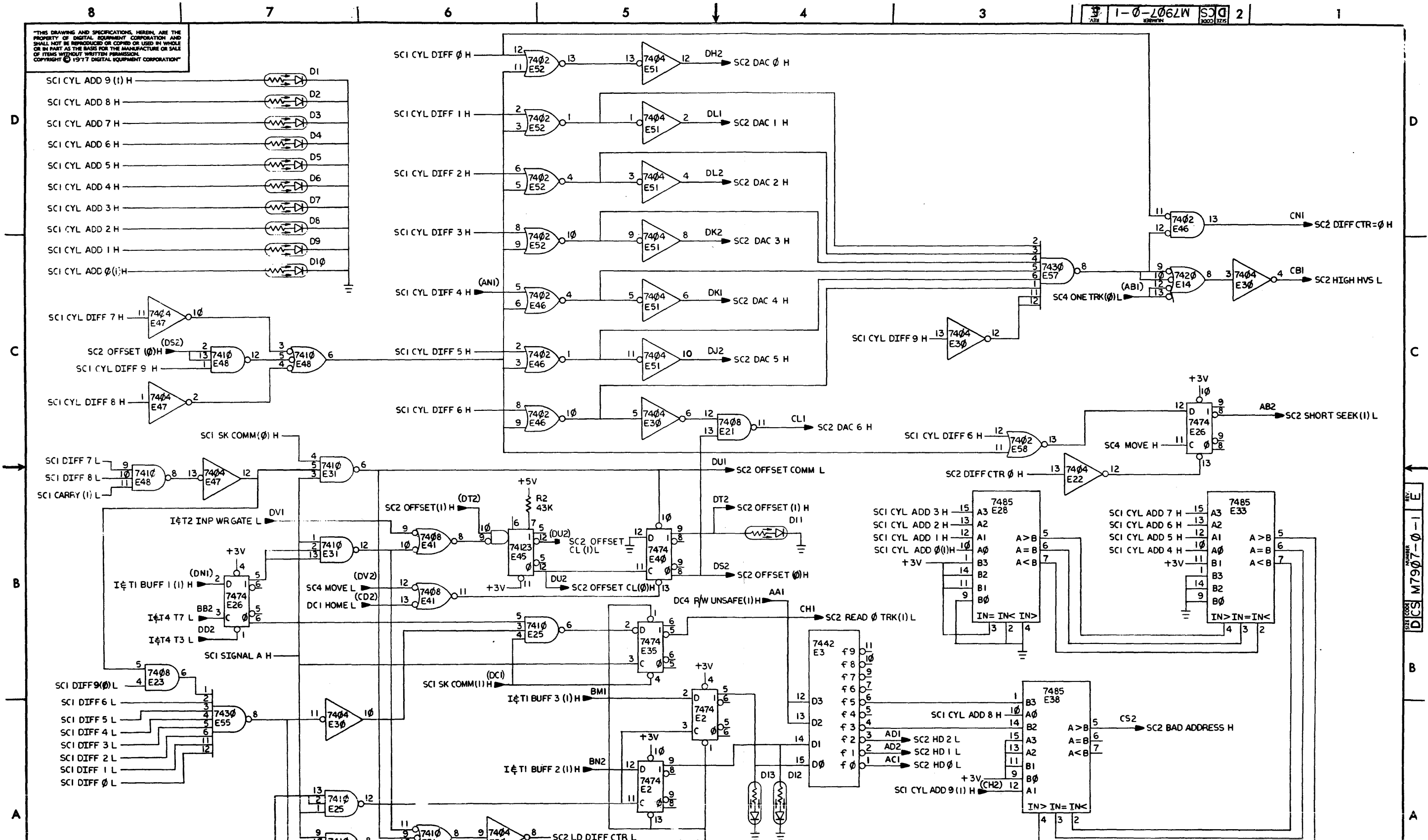
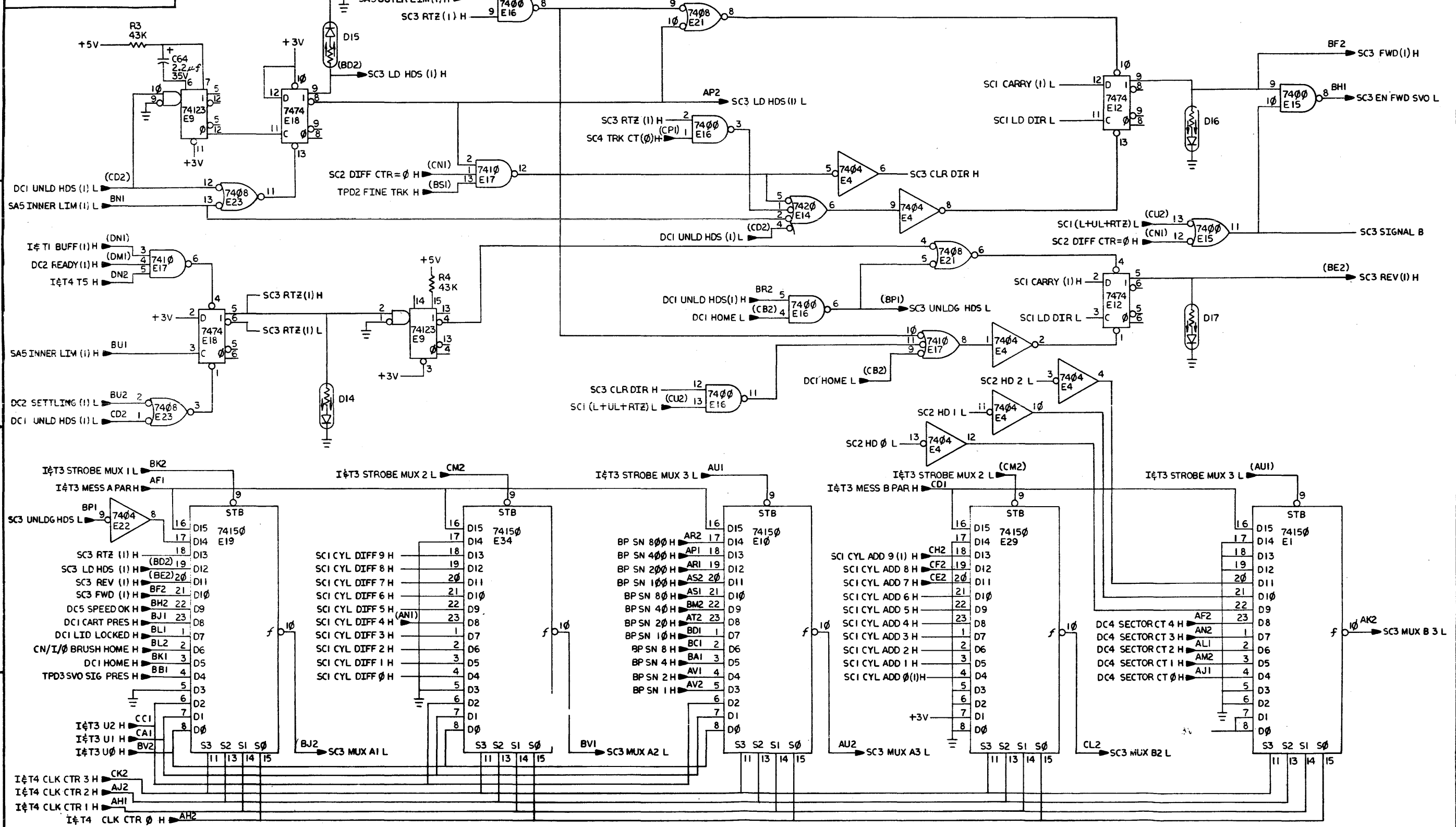


Table with 3 columns: CHK, CHANGE NO., REV.

REV. 1-1-77

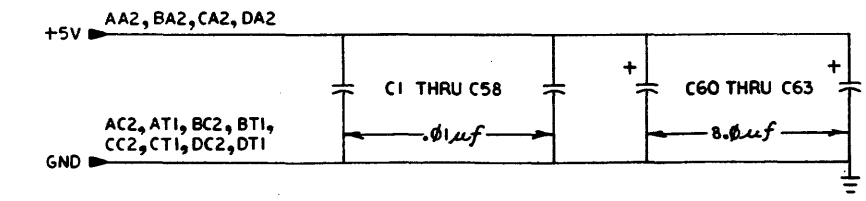
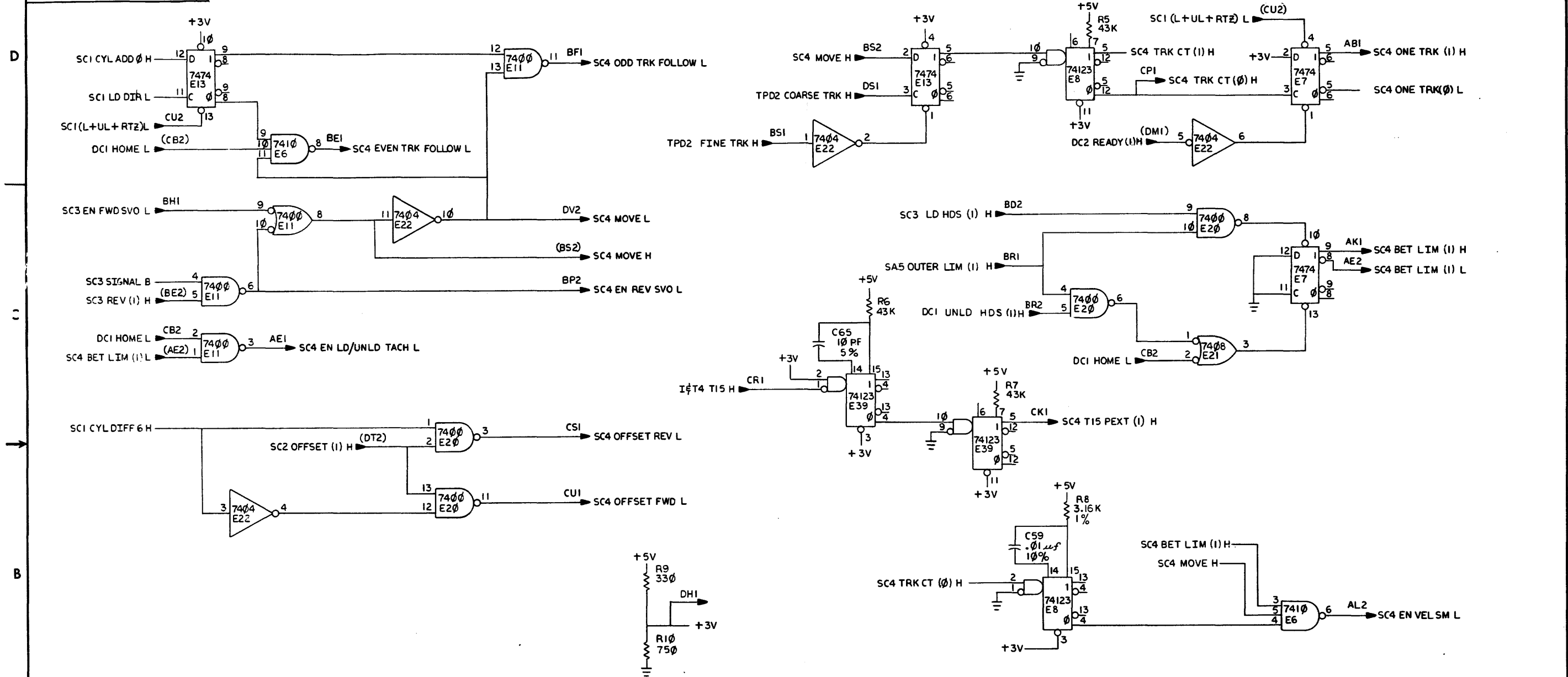
"THIS DRAWING AND SPECIFICATIONS, HEREIN, ARE THE PROPERTY OF DIGITAL EQUIPMENT CORPORATION AND SHALL NOT BE REPRODUCED OR COPIED OR USED IN WHOLE OR IN PART AS THE BASIS FOR THE MANUFACTURE OR SALE OF ITEMS WITHOUT WRITTEN PERMISSION. COPYRIGHT © 1977 DIGITAL EQUIPMENT CORPORATION"



REVISIONS		
CHK	CHANGE NO.	REV.

TITLE	SERVO CONTROL (SC3)	SIZE CODE	DCS	NUMBER	M7907-0-1	REV.	E
SCALE	NONE	SHEET	3 OF 4	DIST.			

"THIS DRAWING AND SPECIFICATIONS, HEREIN, ARE THE PROPERTY OF DIGITAL EQUIPMENT CORPORATION AND SHALL NOT BE REPRODUCED OR COPIED OR USED IN WHOLE OR IN PART AS THE BASIS FOR THE MANUFACTURE OR SALE OF ITEMS WITHOUT WRITTEN PERMISSION. COPYRIGHT © 1977 DIGITAL EQUIPMENT CORPORATION"



REVISIONS		
CHK	CHANGE NO.	REV.

LINE	ITEM	DOCUMENT NUMBER	PART NUMBER	DESCRIPTION	QTY	PER VARIATION	REFERENCE DESIGNATOR
					00		
1	1	D-CS-M7907-0-1		CIRCUIT SCHEMATIC		REF	
2	2	D-UA-M7907-0-0		UNIT ASSY		REF	
3	3	B-DD-M7907-0-0		DRAWING DIRECTORY		REF	
4	4	D-MD-5012765-0-0		DRILL & ETCH DWG.		REF	
5	5		5012765-00	M7907	1		
6	6		1001610-01	.01 MFD 100V -20+80 Z5U DISC	58		C1-C58
7	7		1012084-01	8 MFD 25V G% 30D AL EL	4		C60-C63
8	8		1002431-00	2.2MFD 35V 10% 150S S.TA	1		C64
9	9		1112689-00	LED .8MCD@16MA VF=5V	17		D1-D17
10	10		1213113-01	HANDLE,MODULE,	1		
11	11		1300295-00	330 1/4W 5% CC	1		R9
12	12		1301401-00	750 1/4W 5% CC	1		R10
13	13		1303045-00	3.16 K 1/4W 1% RN55D-F 100PPM	1		R8
14	14		1300479-00	10 K 1/4W 5% CC	1		R1
15	15		1304838-00	43 K 1/4W 5% CC	6		R2-R7
16	16		1905547-00	7474 FF-D DUAL,EDGE TRIGG	11		E2,E12,E13,E18,E26,E27,E35,E40, E42,E50,E7
17	17		1905575-00	7400 NAND GATE-QUAD 2IN	7	CONT	E11,E15,E16,E20,E37,E43,E44
18	18		1905577-00	7420 NAND GATE-DUAL 4INPU	2		E14,E24
19	19		1905578-00	7430 NAND GATE-SINGLE 8IN	2		E55,E57
20	20		1909004-00	DEC 7402 NOR GATE-QUAD 2IN	3		E46,E52,E58
21	21		1909686-00	7404 INVERTER GATE-HEX 1I	5		E4,E22,E30,E47,E51
22	22		1910011-00	DEC 7486 X-OR GATE-QUAD 2INPU	3		E49,E54,E61
23	23		1910018-00	DEC 74193 COUNTER,SYNCHR, UP/D	3		E53,E59,E60
24	24		1910041-00	DEC 74164 SHIFT REG.,8BIT SERI	2		E32,E56
25	25		1910046-00	7442 DECODER-1 OF 10,BCD	1		E3
26	26		1910153-00	DEC 74150 MUX 1 OF 16	5		E1,E10,E19,E29,E34
27	27		1910155-00	DEC 7408 AND GATE,POS,QUAD 2I	3		E21,E23,E41
28	28		1910436-00	DEC 74123 ONE SHOT-DUAL,RETRIG	4		E8,E9,E39,E45
29	29		1910224-00	DEC 7485 COMPARATOR-4BIT	3		E28,E33,E38

REVISION HISTORY			BASIC PART NO: M7907		DRN:	R.WALDIE	DATE:	31-JAN-78	D I G I T A L			
ENG:	ECD NUMBER	REV	SECTION A	OF A	CHK'D:	C.BEVERLIE	DATE:	31-JAN-78	TITLE PARTS LIST			
W.H	00002	B	SECTION VARIATION INDEX		DES.ENG:	M.D.SIDMAN	DATE:	31-JAN-78	SERVO CONTROL			
E.R	ML003	C	[A]	00								
C.L	ML004	D	[B]									
MC	M7907-ML005	E	[C]									
			[D]									
			[E]									
			[F]		RESP.ENG.:	M.D.SIDMAN	DATE:	31-JAN-78	DOCUMENT NUMBER			
			[H]									
			[J]									
			[K]		MFG.ENG.:	M.D.SIDMAN	DATE:	31-JAN-78	K	PL	M7907-0-DBP	E
			[L]									
			[M]		ASSEMBLY NUMBER:		TOP DOCUMENT NUMBER:		FILE NAME:	EDIT #		
			[N]		D-UA-M7907-0-0		OPTION/MODEL RK07		Z0768E.PLS	13		

*THIS DRAWING AND SPECIFICATIONS HEREIN, ARE THE PROPERTY OF DIGITAL EQUIPMENT CORPORATION AND SHALL NOT BE REPRODUCED OR COPIED OR USED IN WHOLE OR IN PART AS THE BASIS FOR THE MANUFACTURE OR SALE OF ITEMS WITHOUT WRITTEN PERMISSION. COPYRIGHT (C) 1979. DIGITAL EQUIPMENT CORPORATION *

AUTOMATED BY PRTLST.1L(7)

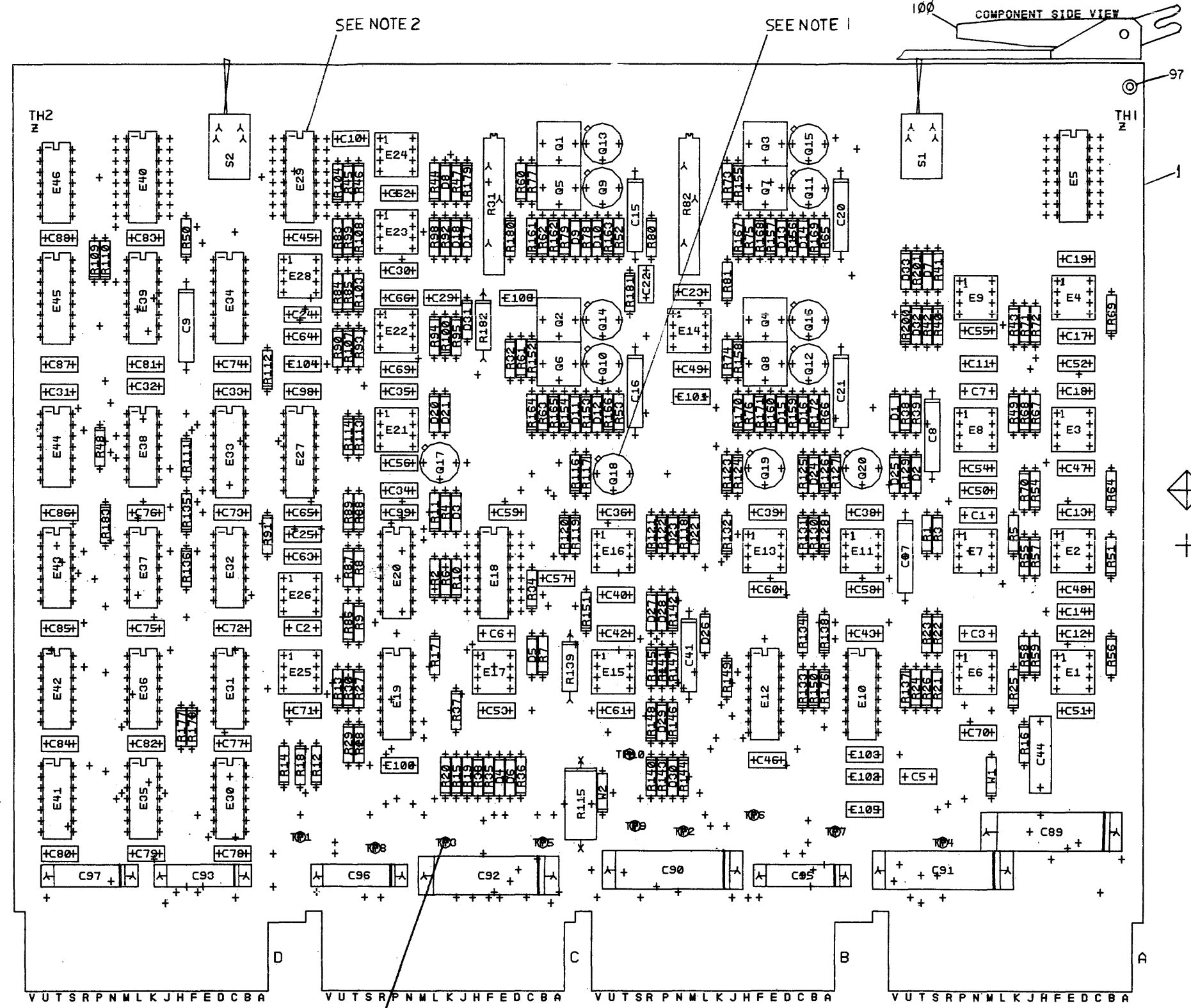
PARTS LIST

SHEET A2 OF A2

LINE ITEM	DOCUMENT NUMBER	PART NUMBER	DESCRIPTION	QTY PER VARIATION 00	REFERENCE DESIGNATOR
30	30	9105740-55	*** THIS ITEM IS NOT USED ***	-	
31	31	9000024-01	EYELET, ROLLED FLANGE, .121 OD X	8	
32	32	9107256-11	*** THIS ITEM IS NOT USED ***	-	
33	33	1005784-00	.01 MFD 100V 10% 663VW MYLR	1	C59
34	34	1905576-00	7410 NAND GATE-TRIPLE 3IN	6	E6,E17,E25,E31,E36,E48
35	35	1000006-00	10.0 MMF 100V 5%200PPM DM15S	1	
36	36	9107256-09	TUBING, THIN WALL, .027ID UL	1	C65

D	I	G	I	T	A	L	TITLE	SECTION A OF A	SIZE	CODE	DOCUMENT NUMBER	REV
							SERVO CONTROL		K	PL	M7907-0-DBP	E

THIS DRAWING AND SPECIFICATIONS, HEREIN, ARE THE PROPERTY OF BOSTON EQUIPMENT CORPORATION AND SHALL NOT BE REPRODUCED OR COPIED IN WHOLE OR IN PART WITHOUT THE WRITTEN PERMISSION OF BOSTON EQUIPMENT CORPORATION. © 1980



NOTES: 1. USE TRANSIPADS (ITEM 95) UNDER Q17 & Q18.
2. SPARE IC LOCATIONS ARE: E5, E18, E29, E40 & E42.

STEP E	+ Y AXIS	STEP 0	TIMES
REPEAT	- X AXIS	STEP 0	TIMES

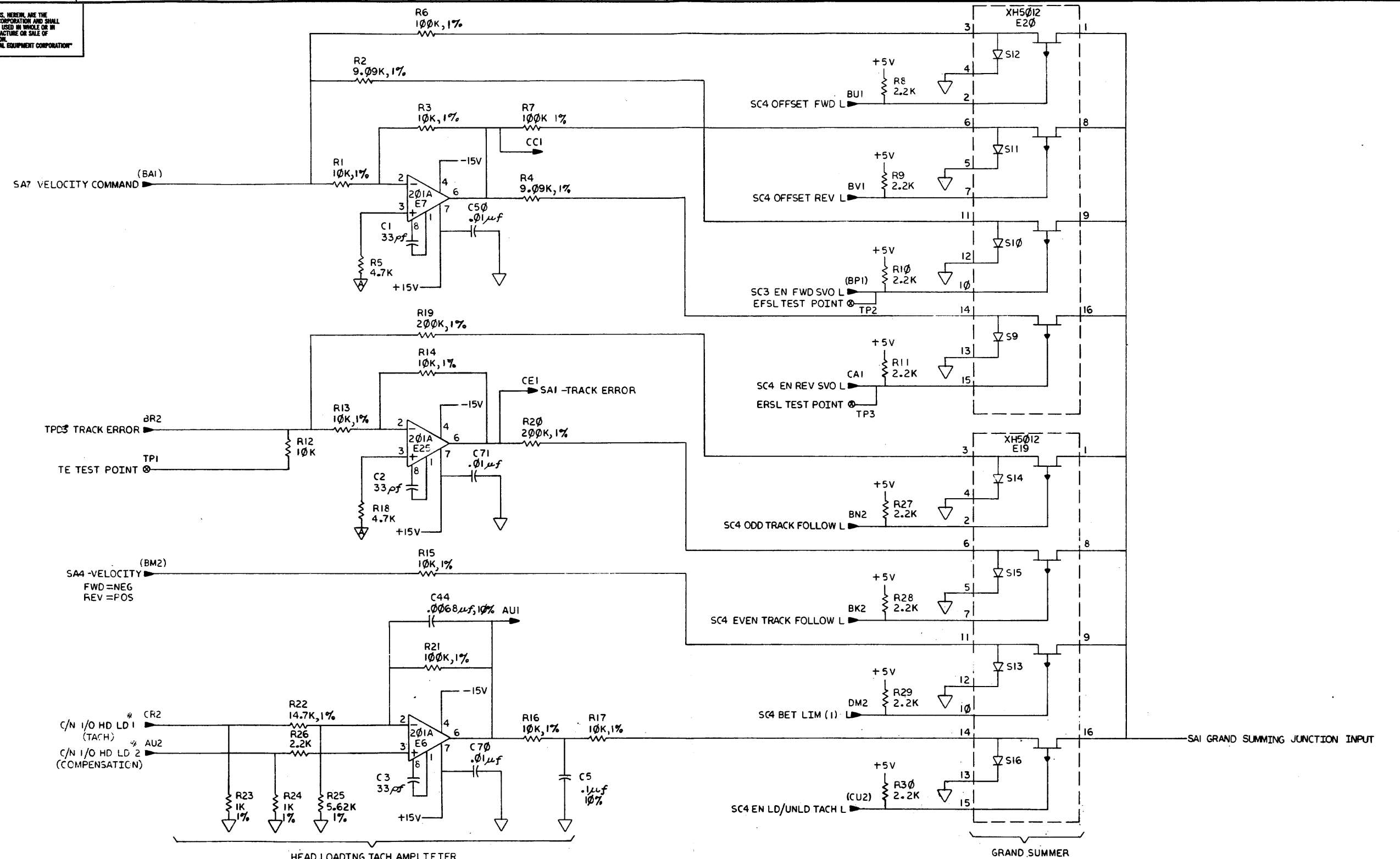
CHG	NO	REV	H
REVISED			
AND			
REDRAWN			
M7906-0-0			

ETCH REV.	D-PI
-----------	------

SIGNATURES	DATE	digital
DRN. D. POWERS	1-4-80	
CHK'D.	9-DEC-80	TITLE SERVO ANALOG
MECH. ENG.		
PROJ. ENG.		
PROD.		
SCALE 2:1	SIZE CODE	NUMBER
SHT. 1 OF 1	D	UA M7906-0-0
NEXT HIGHER REV. B-DD-M7906-0		REV H

THIS DRAWING AND SPECIFICATIONS HEREIN ARE THE PROPERTY OF DIGITAL EQUIPMENT CORPORATION AND SHALL NOT BE REPRODUCED OR COPIED OR USED IN WHOLE OR IN PART AS THE BASIS FOR THE MANUFACTURE OR SALE OF ITEMS WITHOUT WRITTEN PERMISSION.
 COPYRIGHT © 1977, DIGITAL EQUIPMENT CORPORATION

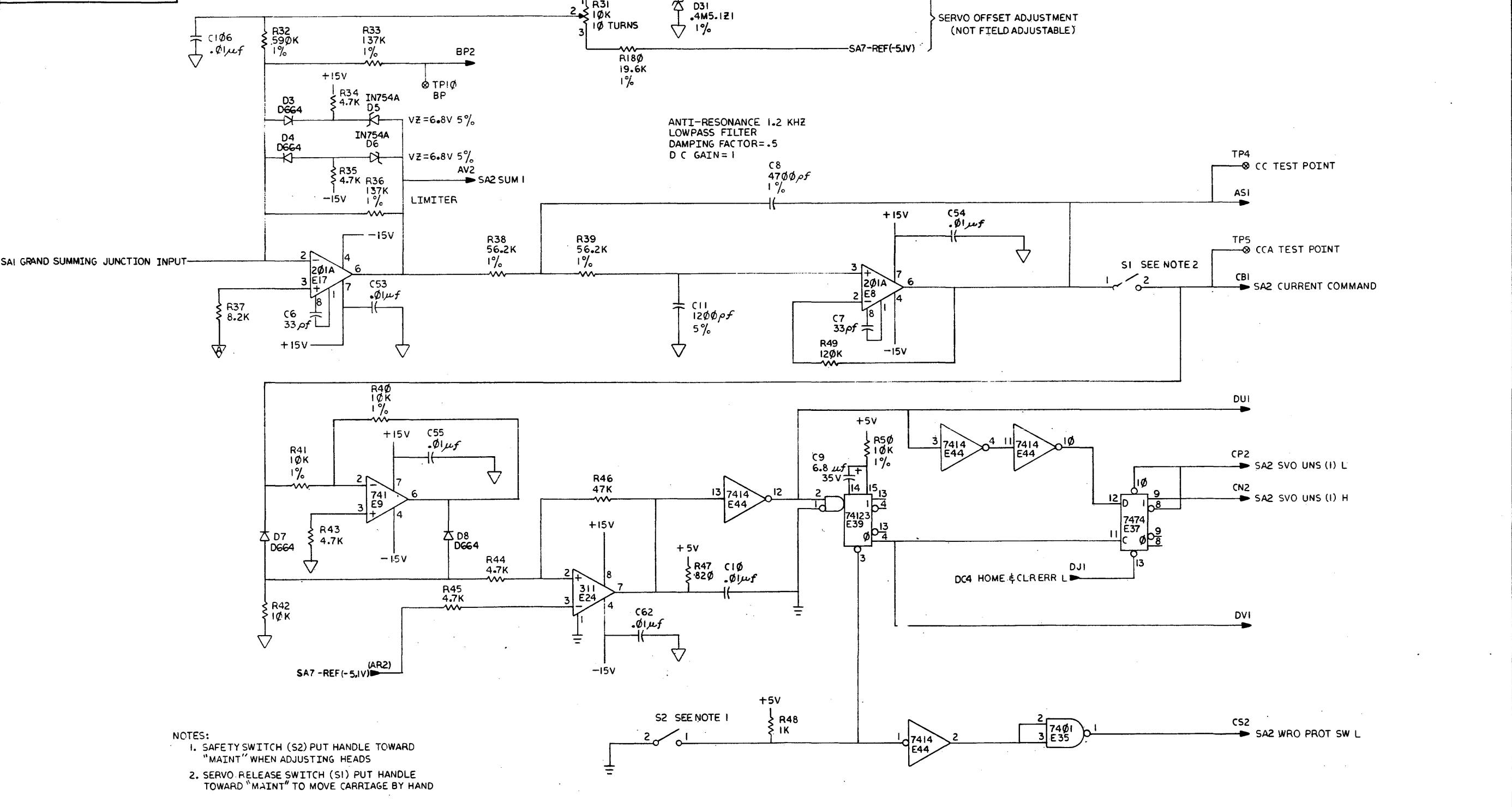
1-0-906LW CS 2



REV.	DATE	BY	CHK'D
A	11/17/76	M. SIDMAN	
B	1/14/77	M. SIDMAN	
C	1/14/77	M. SIDMAN	
D	1/14/77	M. SIDMAN	
E	1/14/77	M. SIDMAN	
F	1/14/77	M. SIDMAN	
G	1/14/77	M. SIDMAN	
H	1/14/77	M. SIDMAN	

DRN. S. Garity	9-15-77	FIRST USED ON	RK07	digital
CHK'D	7-21-77	TITLE	SERVO ANALOG (SAI)	
ENG. J. Hunt	7-21-77	SCALE	D CS M7906-0-1	REV. H
PROJ. ENG. M. Sidman	9-21-77	SIZE	CODE	NUMBER
PROD. J. Hunt	9-21-77	SHEET	OF	7
NEXT HIGHER ASSY.		DIST.		

"THIS DRAWING AND SPECIFICATIONS, HEREIN, ARE THE PROPERTY OF DIGITAL EQUIPMENT CORPORATION AND SHALL NOT BE REPRODUCED OR COPIED OR USED IN WHOLE OR IN PART AS THE BASIS FOR THE MANUFACTURE OR SALE OF ITEMS WITHOUT WRITTEN PERMISSION. COPYRIGHT © 1977 DIGITAL EQUIPMENT CORPORATION"

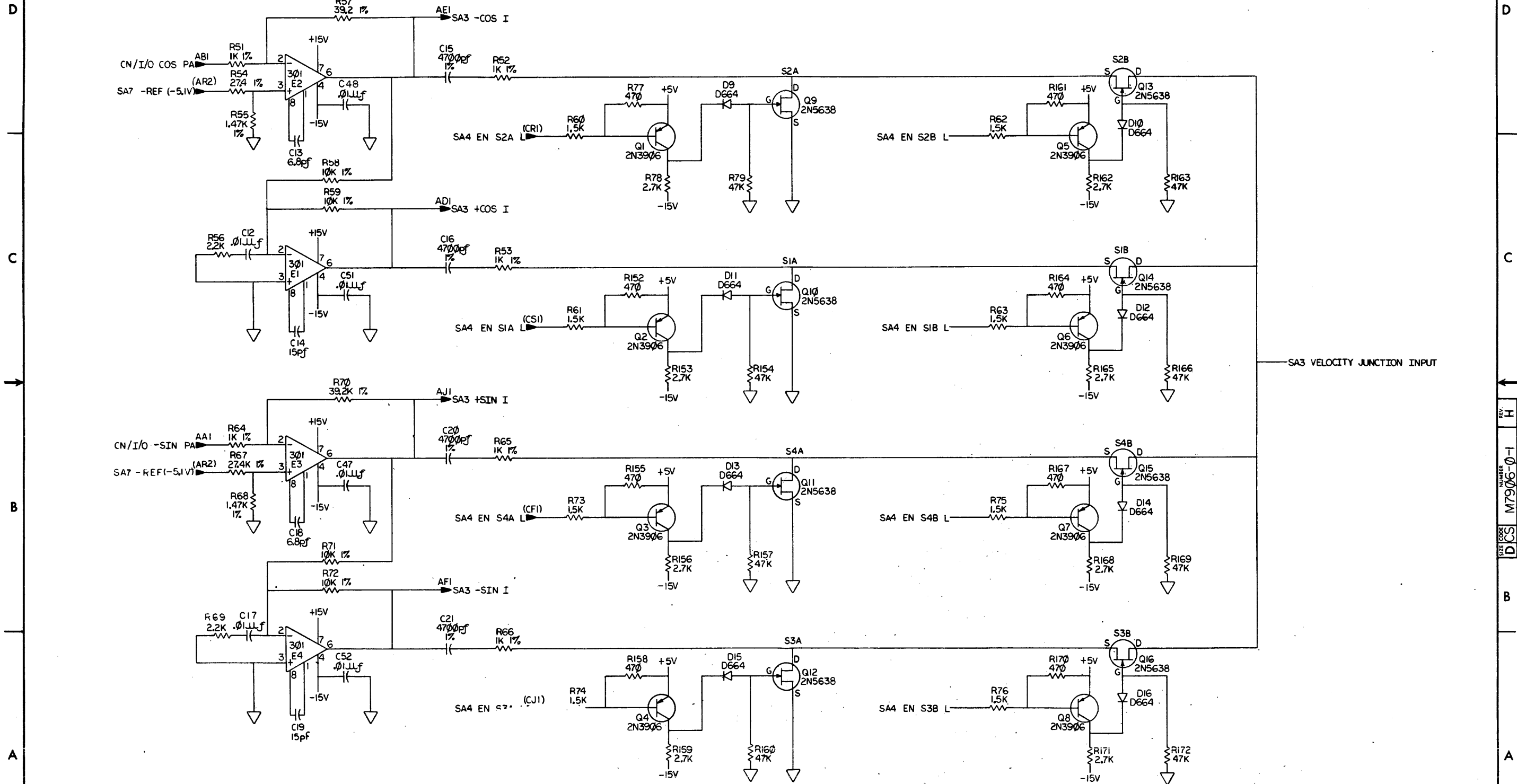


- NOTES:
1. SAFETY SWITCH (S2) PUT HANDLE TOWARD "MAINT" WHEN ADJUSTING HEADS
 2. SERVO RELEASE SWITCH (S1) PUT HANDLE TOWARD "MAINT" TO MOVE CARRIAGE BY HAND

SERVO UNSAFE DETECTOR

REVISIONS		
CHK	CHANGE NO.	REV.

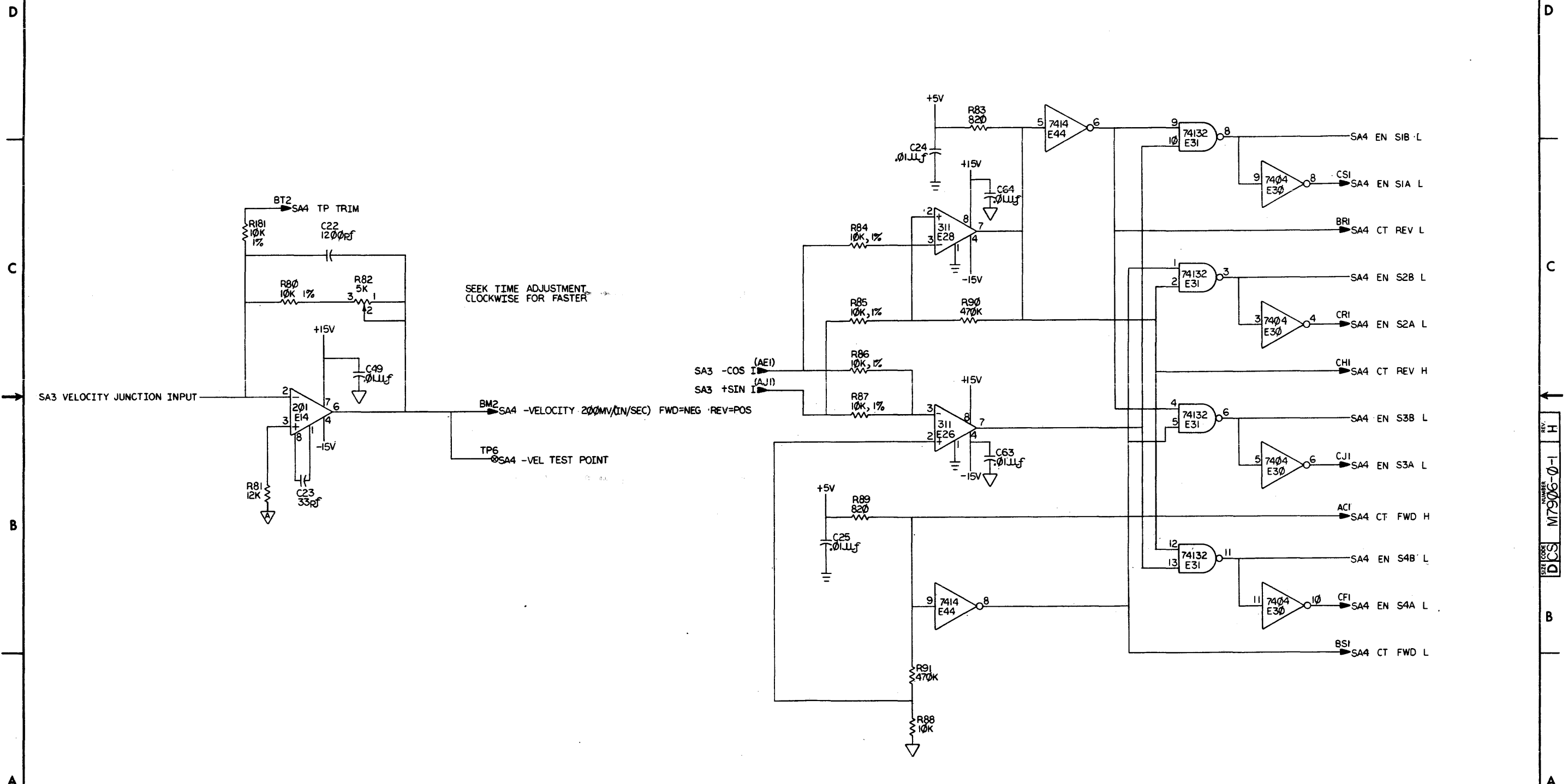
"THIS DRAWING AND SPECIFICATIONS HEREIN ARE THE PROPERTY OF DIGITAL EQUIPMENT CORPORATION AND SHALL NOT BE REPRODUCED OR COPIED OR USED IN WHOLE OR IN PART AS THE BASIS FOR THE MANUFACTURE OR SALE OF ITEMS WITHOUT WRITTEN PERMISSION. COPYRIGHT © 1977 DIGITAL EQUIPMENT CORPORATION"



REVISIONS		
CHK	CHANGE NO.	REV.

TITLE	SERVO ANALOG (SA3)	SIZE CODE	DCS	NUMBER	M7906-0-1	REV.	H
SCALE	1/1	SHEET	3	OF	7	DIST.	

"THIS DRAWING AND SPECIFICATIONS, HEREIN, ARE THE PROPERTY OF DIGITAL EQUIPMENT CORPORATION AND SHALL NOT BE REPRODUCED OR COPIED OR USED IN WHOLE OR IN PART AS THE BASIS FOR THE MANUFACTURE OR SALE OF ITEMS WITHOUT WRITTEN PERMISSION. COPYRIGHT © 1977 DIGITAL EQUIPMENT CORPORATION"

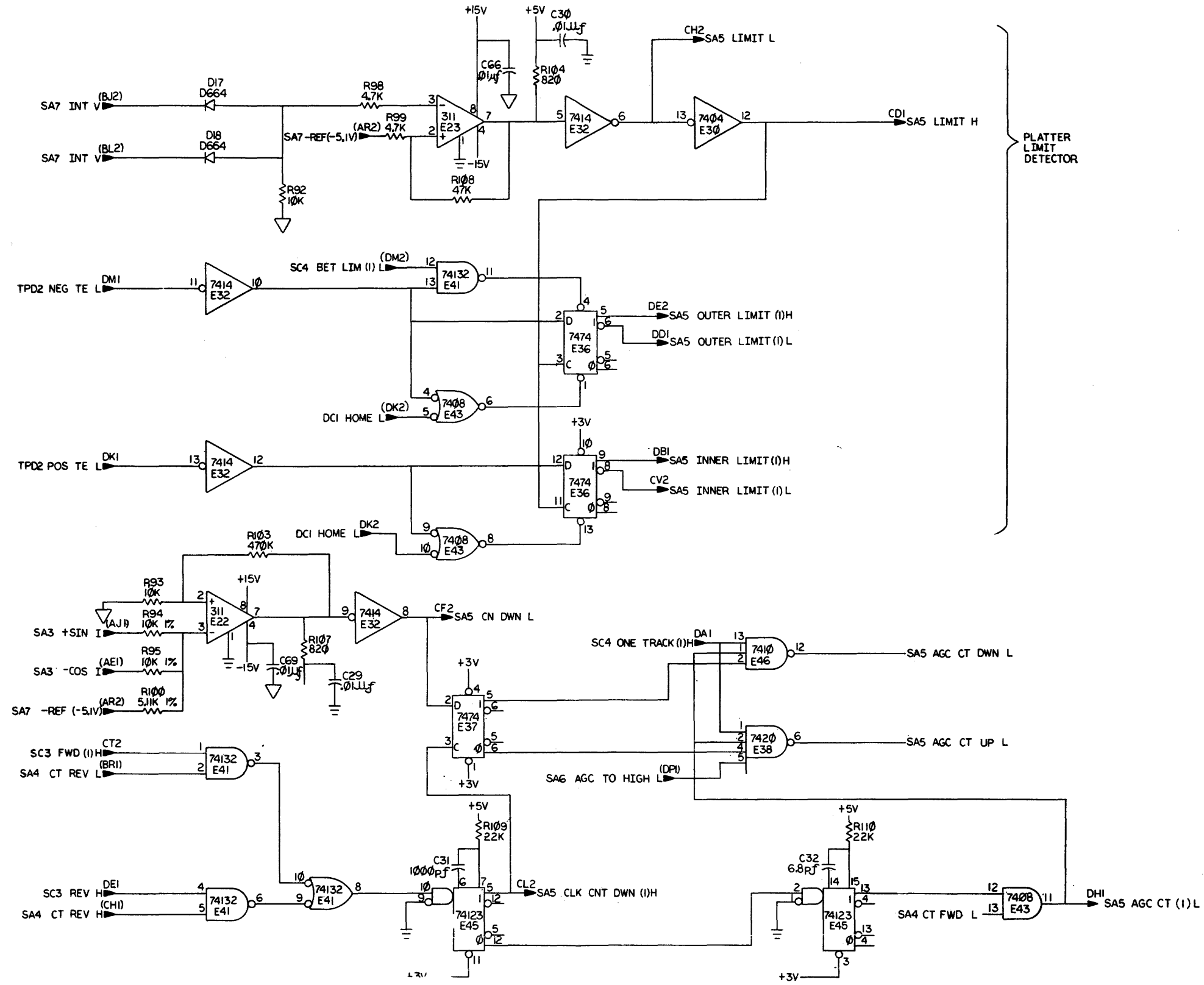


SEEK TIME ADJUSTMENT
CLOCKWISE FOR FASTER

SA4 -VELOCITY 200MM/IN/SEC FWD=NEG REV=POS

REVISIONS		
CHK	CHANGE NO.	REV.

"THIS DRAWING AND SPECIFICATIONS HEREIN ARE THE PROPERTY OF DIGITAL EQUIPMENT CORPORATION AND SHALL NOT BE REPRODUCED OR COPIED OR USED IN WHOLE OR IN PART AS THE BASIS FOR THE MANUFACTURE OR SALE OF ITEMS WITHOUT WRITTEN PERMISSION. COPYRIGHT © 1977 DIGITAL EQUIPMENT CORPORATION"



PLATTER LIMIT DETECTOR

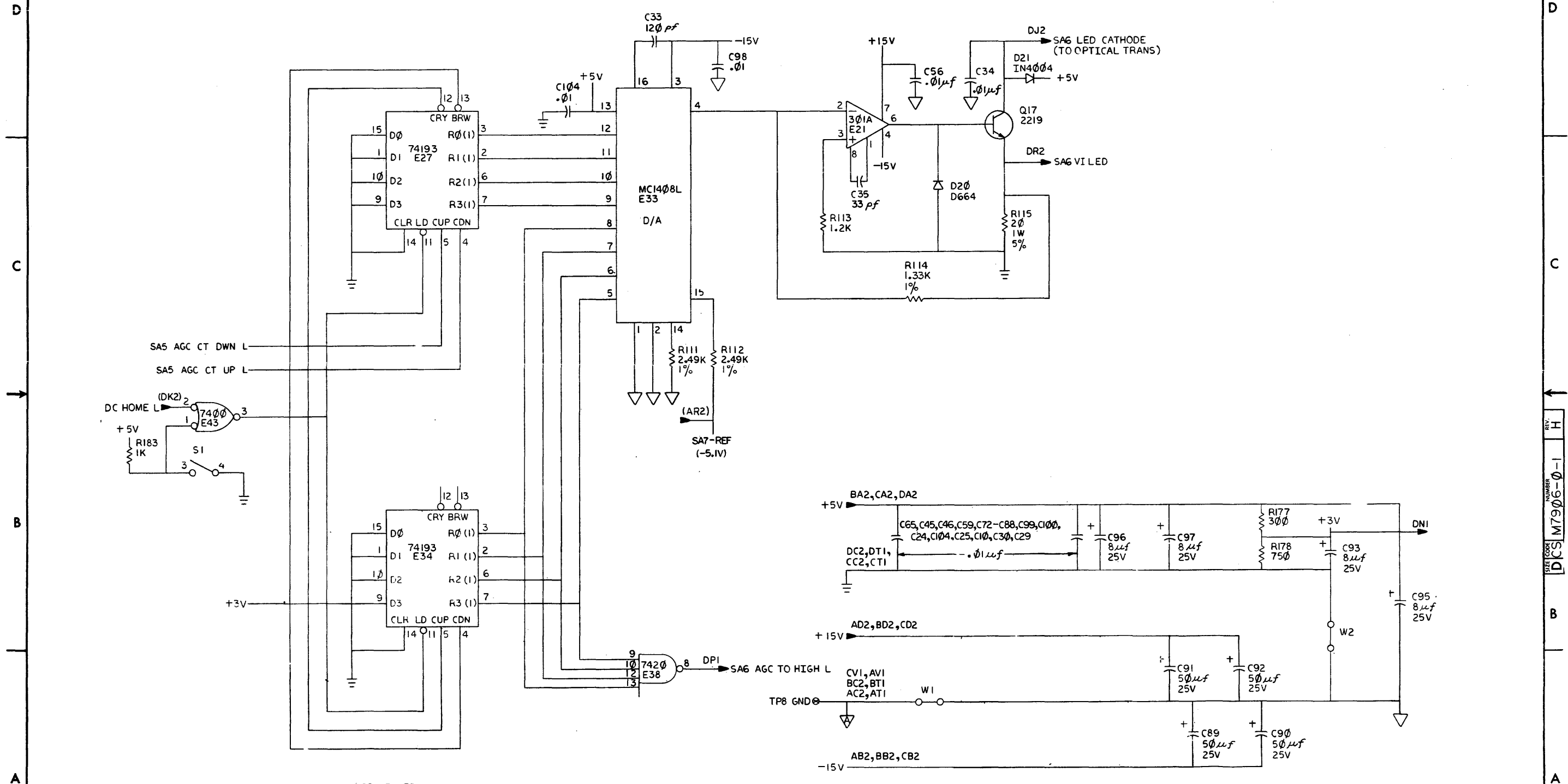
REVISIONS		
CHK	CHANGE NO.	REV.

TITLE	SIZE CODE	NUMBER	REV.
SERVO ANALOG (SA5)	D CS	M7906-0-1	H
SCALE 7/7	SHEET 5 OF 7	DIST.	ML 1

REV. H
NUMBER M7906-0-1
D CS

THIS DRAWING AND SPECIFICATIONS, HEREIN, ARE THE PROPERTY OF DIGITAL EQUIPMENT CORPORATION AND SHALL NOT BE REPRODUCED OR COPIED OR USED IN WHOLE OR IN PART AS THE BASIS FOR THE MANUFACTURE OR SALE OF ITEMS WITHOUT WRITTEN PERMISSION.
 COPYRIGHT © 1977 DIGITAL EQUIPMENT CORPORATION

8 7 6 5 4 3 2 1

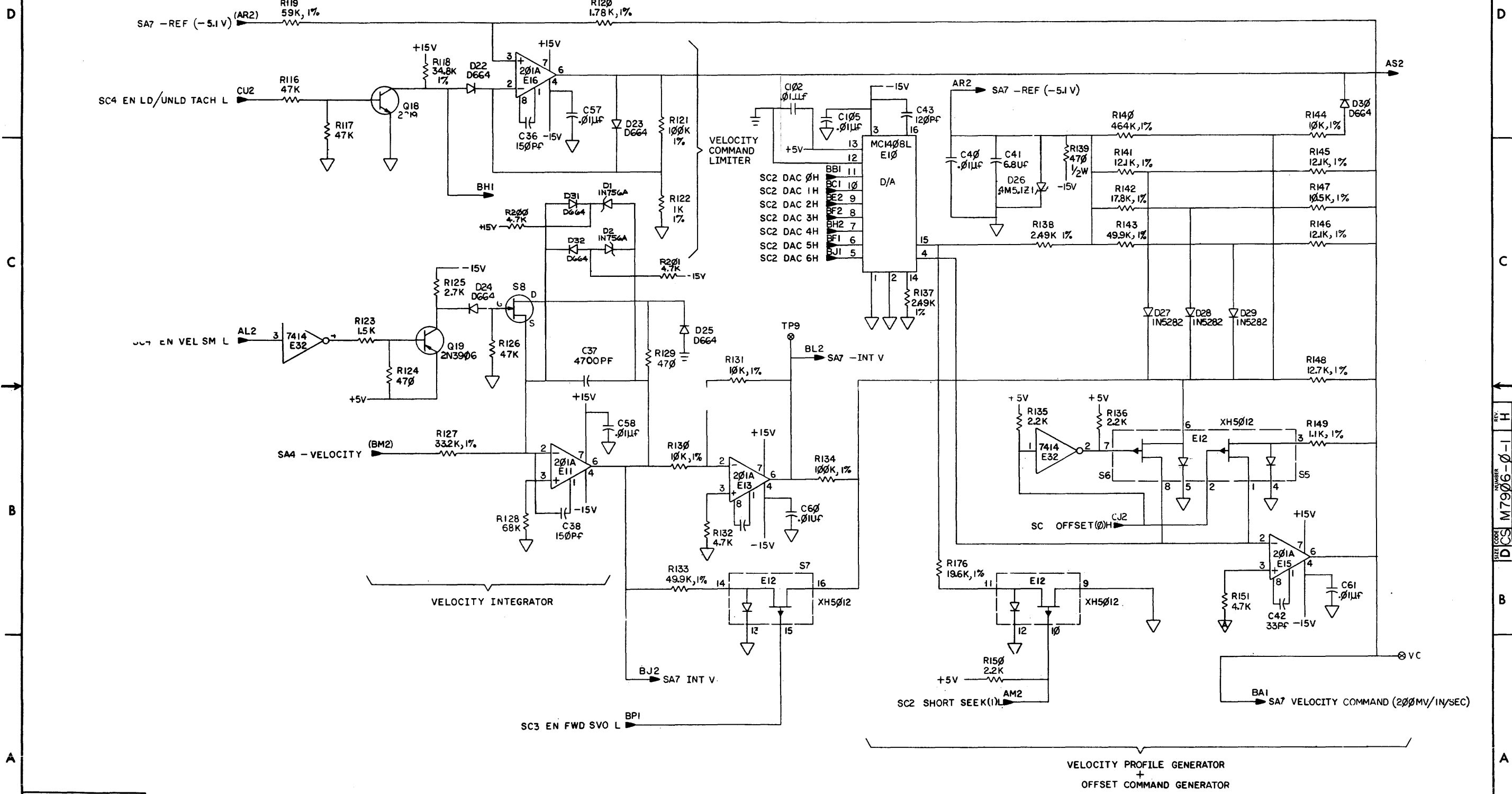


GLASS SCALE LED AGC CIRCUITRY

REVISIONS		
CHK	CHANGE NO.	REV.

8	7	6	5	4	3	2	1		
TITLE SERVO ANALOG (SAG)							SIZE CODE DCS	NUMBER M7906-0-1	REV. H
SCALE							SHEET 6	OF 7	DIST.

"THIS DRAWING AND SPECIFICATIONS, HEREIN, ARE THE PROPERTY OF DIGITAL EQUIPMENT CORPORATION AND SHALL NOT BE REPRODUCED OR COPIED OR USED IN WHOLE OR IN PART AS THE BASIS FOR THE MANUFACTURE OR SALE OF ITEMS WITHOUT WRITTEN PERMISSION. COPYRIGHT © 1977 DIGITAL EQUIPMENT CORPORATION"



REVISIONS		
CHK	CHANGE NO.	REV.

TITLE	SERVO ANALOG (SA7)	SIZE CODE	D CS	NUMBER	M7906-0-1	REV.	H
SCALE		SHEET	7	OF	7	DIST.	

LINE	ITEM	DOCUMENT NUMBER	PART NUMBER	DESCRIPTION	QTY PER VARIATION	REFERENCE DESIGNATOR
					00	
1	1		5012848-00	M7906	1	
2	2		1000005-00	6.8 MMF 100V 5%200PPM MICA	3	C13,C18,C32
3	3		1000009-00	33.0 MMF 100V 5%200PPM MICA	9	C1-C3,C6,C7,C23,C35,C39,C42
4	4		1000018-00	120.0 MMF 100V 5%200PPM MICA	2	C33,C43
5	5		1000019-00	150.0 MMF 100V 5%200PPM MICA	2	C36,C38
6	6		1000042-00	1000.0 MMF 100V 5%200PPM MICA	1	C31
7	7		1000060-00	6800.0 MMF 200V 10% MYLR	1	C44
8	8		1001610-01	.01 MFD50/100V +80-20% DISC	60	C10,C12,C17,C24,C25,C29,C34,C30, CONT C40,C45-C66,C69-C88,C98-C106
9	9		1010978-36	.1 MFD 50V 10% CER	1	C5
10	10		1002424-00	1200.0 MMF 100V 5%200PPM MICA	2	C11,C22
11	11		1002427-00	15.0 MMF 100V 5%200PPM MICA	2	C14,C19
12	12		1001633-00	*** THIS ITEM IS NOT USED ***	-	
13	13		1005306-00	6.8MFD 35V 10% S.TANT	2	C9,C41
14	14	BLANK			0	
15	15		1009312-00	.0047 MFD 100V 1% MYLR	6	C8,C15,C16,C20,C21,C37
16	16	BLANK			0	
17	17		1012084-01	8 MFD 25V +75-10% AL EL	4	C93,C95-C97
18	18		1001796-00	50 MFD 25V +75-10% AL EL	4	C89-C92
19	19		1100114-00	D 664 QS\75PCB FIV= 25V SP	22	D3,D4,D7-D18,D20,D22-D25,D30, CONT D32,D33
20	20		1105796-00	1N 4004 PIV=400 I= 1A D041 SP	1	D21
21	21		1105873-00	4ME-1AZ1 VZ= 5.1 1% .400W	2	D26,D31
22	22		1109991-00	1N 754A VZ= 6.8 5% .40W	2	D5,D6
23	23		1113003-00	1N 5282 PIV=55 I=500M D035	3	D27-D29
24	24		1300271-00	*** THIS ITEM IS NOT USED ***	-	
25	25		1300488-00	12.0 K .25 W 5.0 % CC	1	R81
26	26		1300315-00	470.0 .50 W 5.0 % CC	2	R139,R182
27	27		1300316-00	470.0 .25 W 5.0 % CC	10	R77,R124,R152,R155,R158,R161, CONT R164,R167,R170,R129

REVISION HISTORY			BASIC PART NO: M7906		DRN:	S.KLOTZLE	DATE: 01-NOV-78	DIGITAL			
ENG	ECO NUMBER	REV	SECTION A OF A		CHK'D:	P.BOSSMAN	DATE: 01-NOV-78	TITLE PARTS LIST			
IC.L	M7906-ML004	E	SECTION VARIATION INDEX		DES.ENG:	M.SIDMAN	DATE: 01-NOV-78	SERVO ANALOG			
M.C	M7906-ML006	F	[A] 00								
MC	M7906-ML007	H	[B]								
			[C]								
			[D]								
			[E]								
			[F]		RESP.ENG.:	M.SIDMAN	DATE: 01-NOV-78	DOCUMENT NUMBER			
			[H]								
			[J]								
			[K]		MFG.ENG.:	M.RAYMOND	DATE: 01-NOV-78	K	PL	M7906-0-DBP	H
			[L]								
			[M]		ASSEMBLY NUMBER:		TOP DOCUMENT NUMBER:		FILE NAME:		EDIT #
			[N]		D-UA-M7906-0-0		#B-DD-M7906-0		Z0477H.FLS		12

*THIS DRAWING AND SPECIFICATIONS HEREIN, ARE THE PROPERTY OF DIGITAL EQUIPMENT CORPORATION AND SHALL NOT BE REPRODUCED OR COPIED OR USED IN WHOLE OR IN PART AS THE BASIS FOR THE MANUFACTURE OR SALE OF ITEMS WITHOUT WRITTEN PERMISSION. COPYRIGHT (C) 1981. DIGITAL EQUIPMENT CORPORATION *

LINE	ITEM	DOCUMENT NUMBER	PART NUMBER	DESCRIPTION	QTY	PER VARIATION	REFERENCE DESIGNATOR
					00		
28	28		1300365-00	1.0 K .25 W 5.0 % CC	2		R48,R183
29	29		1303114-00	1.0 K .25 W 1.0 % RN55D-F10	9		R23,R24,R51-R53,R64-R66,R122
30	30		1301320-00	1.20 K .25 W 5.0 % CC	1		R113
31	31		1300391-00	1.50 K .25 W 5.0 % CC	9		R60-R63,R73-R76,R123
32	32		1300411-00	2.0 K .25 W 1.0 % RN55D-F10	1		R125
33	33		1300417-00	2.20 K .25 W 5.0 % CC	14		R8-R11,R26-R30,R56,R69,R135,
						CONT	R136,R150
34	34		1300426-00	2.70 K .25 W 5.0 % CC	8		R78,R153,R156,R159,R162,R165,
						CONT	R168,R171
35	35		1300447-00	4.70 K .25 W 5.0 % CC	13		R5,R18,R34,R35,R43-R45,R98,R99,
						CONT	R132,R151,R200,R201
36	36		1300479-00	10.0 K .25 W 5.0 % CC	5		R12,R42,R88,R92,R93
37	37		1300525-00	59.0 K .25 W 1.0 % RN55D-F10	1		R119
38	38		1300539-00	120.0 K .25 W 5.0 % CC	1		R49
39	39		1301401-00	750.0 .25 W 5.0 % CC	1		R178
40	40		1301775-00	820.0 .25 W 5.0 % CC	5		R47,R83,R89,R104,R107
41	41		1301808-00	22.0 K .25 W 5.0 % CC	2		R109,R110
42	42		1302177-00	47.0 K .25 W 5.0 % CC	13		R46,R79,R108,R116,R117,R126,
						CONT	R154,R157,R160,R163,R166,R169,
						CONT	R172
43	43		1312993-00	20.0 1.0 W 5.0 % CC	1		R115
44	44		1301327-00	68.0 K .25 W 5.0 % CC	1		R128
45	45		1302398-00	470.0 K .25 W 5.0 % CC	3		R90,R91,R103
46	46		1302612-00	1.78 K .25 W 1.0 % RN55D-F10	1		R120
47	47		1302941-00	14.70 K .25 W 1.0 % RN55D-F10	1		R22
48	48		1303043-00	464.0 K .25 W 1.0 % RN55D-F10	1		R140
49	49		1303044-00	100.0 K .25 W 1.0 % RN55D-F10	5		R6,R7,R21,R121,R134
50	50		1303156-00	34.80 K .25 W 1.0 % RN55D-F10	1		R118
51	51		1303179-00	8.20 K .25 W 5.0 % CC	1		R37
52	52		1303312-00	10.0 K .25 W 1.0 % RN55D-F10	25		R1,R3,R13-R17,R40,R41,R50,R58,
						CONT	R59,R71,R72,R80,R84-R87,R94,R95,
						CONT	R130,R131,R144,R181
53	53		1303313-00	12.10 K .25 W 1.0 % RN55D-F10	3		R141,R145,R146
54	54		1304854-00	5.11 K .25 W 1.0 % RN55D-F10	1		R100
55	55		1305108-00	1.47 K .25 W 1.0 % RN55D-F10	2		R55,R68
56	56		1305128-00	5.62 K .25 W 1.0 % RN55D-F10	1		R25
57	57		1305265-00	39.20 K .25 W 1.0 % RN55D-F10	2		R57,R70
58	58		1305336-00	200.0 K .25 W 1.0 % RN55D-F10	2		R19,R20
59	59		1305252-00	68.10 K .25 W 1.0 % RN55D-F10	1		R127
60	60		1305422-00	137.0 K .25 W 1.0 % RN55D-F10	2		R33,R36
61	61		1309143-09	5.0 K .75 W10.0 % POT	1		R82
62	62		1309143-10	10.0 K .75 W10.0 % POT	1		R31
63	63		1309417-00	27.40 K .25 W 1.0 % RN55D-F10	2		R54,R67
64	64		1309419-00	19.60 K .25 W 1.0 % RN55D-F10	3		R176,R179,R180
65	65		1310630-00	1.33 K .25 W 1.0 % RN55D-F10	1		R114
66	66		1305427-00	590.0 K .25 W 1.0 % RN55D-F10	1		R32
67	67		1312626-00	2.49 K .25 W 1.0 % RN55D-F10	4		R111,R112,R137,R138
68	68		1312747-00	56.20 K .25 W 1.0 % RN55D-F10	2		R38,R39

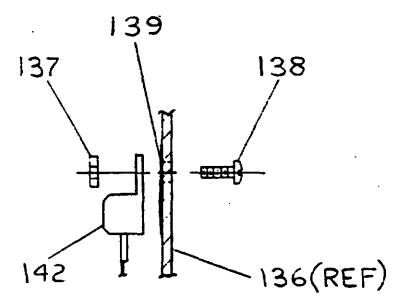
! D ! I ! G ! I ! T ! A ! L !	! TITLE	! SECTION A OF A	! SIZE ! CODE !	! DOCUMENT NUMBER	! REV !
! ! ! ! ! ! ! !	SERVO ANALOG	! ! ! ! ! ! ! !	! K ! PL !	M7906-0-DBP	! H !

LINE ITEM	DOCUMENT NUMBER	PART NUMBER	DESCRIPTION	QTY PER VARIATION 00	REFERENCE DESIGNATOR	
69	69	1312987-00	10.50 K .25 W 1.0 % RN55D-F10	1	R147	
70	70	1312988-00	49.90 K .25 W 1.0 % RN55D-F10	2	R133,R143	
71	71	1312989-00	17.80 K .25 W 1.0 % RN55D-F10	1	R142	
72	72	1312990-00	12.70 K .25 W 1.0 % RN55D 10	1	R148	
73	73	1301425-00	300.0 .25 W 5.0 % CC	1	R177	
74	74	1304855-00	9.09 K .25 W 1.0 % RN55D-F10	2	R2,R4	
75	75	1501881-00	DEC2219 NPN 3WC SI 30100	2	Q17,Q18	
76	76	1509525-00	2N 3906 PNP 310MW SI 40100 Y	9	Q1-Q8,Q19	
77	77	1511095-00	2N 5638 FET 310MW SIN CHNNL	9	Q9-Q16,Q20	
78	78	1302645-00	1.10 K .25 W 1.0 % RN55D-F10	1	R149	
79	79	1905547-00	7474 FF-D DUAL,EDGE TRIGG	2	E36,E37	
80	80	1905576-00	7410 NAND GATE-TRIPLE 3IN	1	E46	
81	81	1905577-00	7420 NAND GATE-DUAL 4INPU	1	E35	
82	82	1905590-00	DEC 7401 NAND GATE-QUAD 2IN,0	1	E35	
83	83	1910282-00	301AN OP AMP	5	E1-E4,E21	
84	84	1909686-00	7404 INVERTER GATE-HEX 1I	1	E30	
85	85	1910018-00	DEC 74193 COUNTER,SYNCHR. UP/D	2	E27,E34	
86	86	1910155-00	DEC 7408 AND GATE,POS.QUAD 2I	1	E43	
87	87	1910298-00	741 OP AMP GEN PURP. COM	1	E9	
88	88	1910436-00	DEC 74123 ONE SHOT-DUAL,RETRIG	2	E39,E45	
89	89	1911143-00	DEC 201A OP AMP	10	E6-E8,E11,E13-E17,E25	
90	90	1911324-00	7414 INVERTER,HEX 1IN SCH	2	E32,E44	
91	91	1911629-00	1408L8 DAC, 8BIT	2	E10,E33	
92	92	1911637-00	74132 NAND GATE-QUAD 2 IN	2	E31,E41	
93	93	1911706-00	5012 ANALOG SWITCH,4CHNL	3	E12,E19,E20	
94	94	1914140-00	LM 311N VOLT CMPRTR	5	E22-E24,E26,E28	
95	95	USE UNDER Q17,Q18	9007200-00	TRANSIPADS #10134	2	S1,S2
96	96		1210209-00	SW,TOG,SPDT,.01A@6V,ON/ON,SUBMIN	2	
97	97		9000024-01	EYELET,ROLLED FLANGE,.121 OD X	8	
98	98		9007791-00	TERM PCB 2POS SOLDER,TURRET	10	TP1-TP10
99	99		9009185-00	JUMPER,WIRE,INSULATED,BLACK B	2	W1,W2
100	100		1213113-01	HANDLE,MODULE,	1	
101	101		9105740-55	*** THIS ITEM IS NOT USED ***	-	
102	102		9107256-11	*** THIS ITEM IS NOT USED ***	-	
103	103		9107295-10	*** THIS ITEM IS NOT USED ***	-	
104	104		1103441-00	1N 756A VZ= 8.2 5% .40W P	2	D1,D2
105	105	D-CS-M7906-0-1	CIRCUIT SCHEMATIC	REF		
106	106	D-UA-M7906-0-0	UNIT ASSEMBLY	REF		
107	107	B-DD-M7906-0-0	DRAWING DIRECTORY	REF		
108	108	D-MD-5012848-0-0	DRILL AND ETCH DRAWING	REF		
109	109	D-EC-5012848-0-0	ETCH CUT DRAWING	REF		

110 NOTE: USED ON:OPTION/MODEL RK07
 111 NOTE: I.C.SPARES-E5,E18,E29,E40,E42

D I G I T A L				TITLE	SECTION A OF A	SIZE	CODE	DOCUMENT NUMBER	REV
				SERVO ANALOG		K	PL	M7906-0-DBP	H

THIS DRAWING AND SPECIFICATIONS, HEREON, AND THE PROPERTY OF DIGITAL EQUIPMENT CORPORATION AND SHALL NOT BE REPRODUCED OR COPIED OR USED IN WHOLE OR IN PART AS THE BASIS FOR THE CONSTRUCTION OR SALE OF ITEMS WITHOUT WRITTEN PERMISSION.
COPYRIGHT © DIGITAL EQUIPMENT CORPORATION

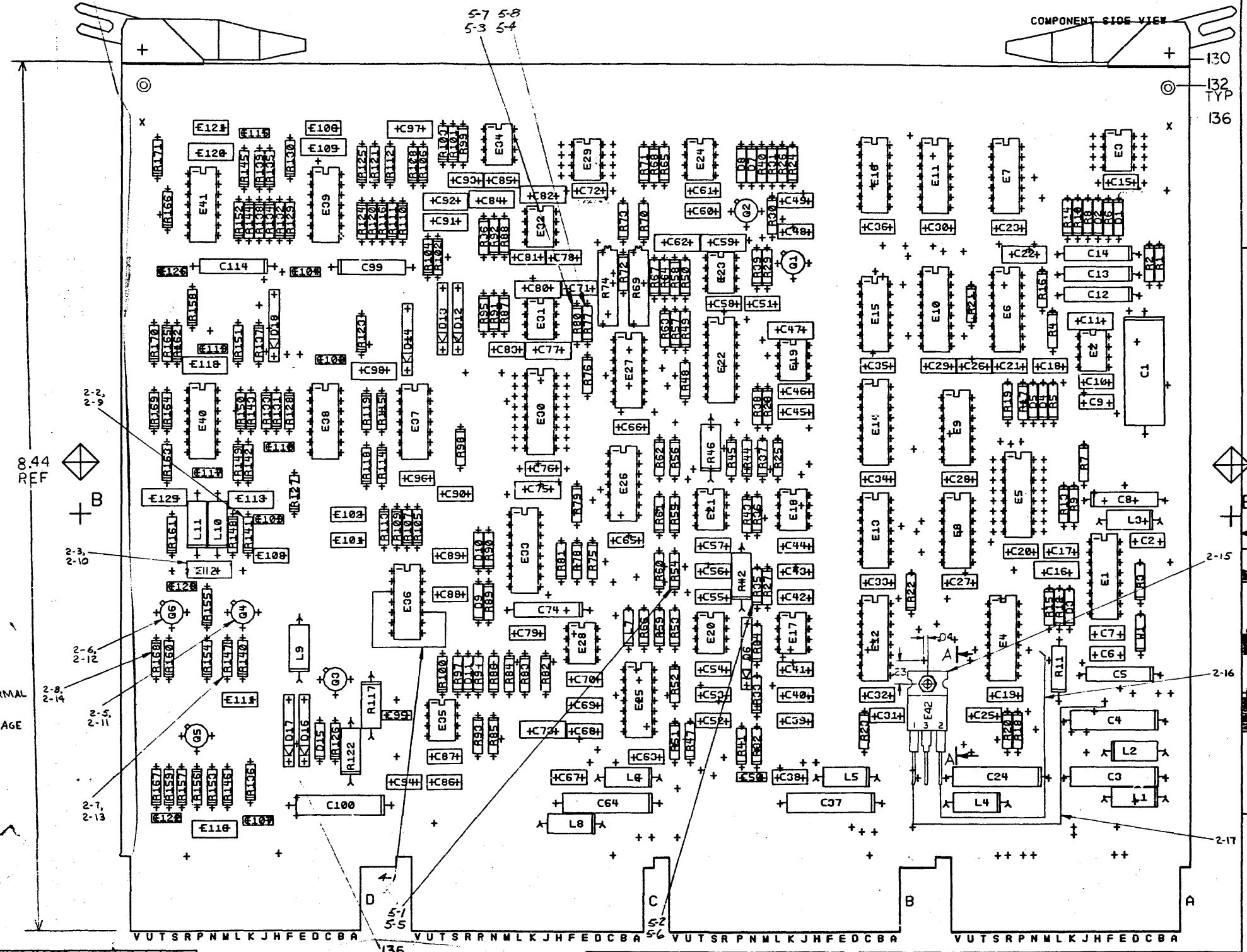


SECTION A-A
SCALE: NONE

REWORK INSTRUCTIONS
ECO # 2

- ETCH CUTS SIDE 1:
2-1. TO RIGHT OF E4-11
COMPONENT DELETES SIDE 1:
2-2. R141 (P/N 13042700)
2-3. C112 (P/N 1000009)
2-4. C124 (P/N 1000009)
2-5. Q4 (P/N 1503051)
2-6. Q6 (P/N 1503051)
2-7. R147 (P/N 1305114)
2-8. R168 (P/N 1305114)
- COMPONENT ADDS SIDE 1:
2-9. R141 (P/N 1303114)
2-10. C112 (P/N 1002427) AND RELOCATE AS SHOWN
2-11. Q4 (P/N 1514999)
2-12. Q6 (P/N 1514999)
2-13. P147 (P/N 1304856)
2-14. R168 (P/N 1304856)
2-15. DRILL HOLE .12 DIA (#31 DRILL BIT) INSTALL E42 (P/N 1912536) AS SHOWN. TACK SOLDER PIN 3 TO GROUND ETCH DIRECTLY BELOW LEAD. SOLDER WIRES TO LEADS 1 AND 2 AND ADD SHRINK TUBING (P/N 9107714) TO LEADS 1 AND 2. APPLY THERMAL COMPOUND BEFORE ATTACHING E42 TO BOARD (REFER TO SECTION A-A). NOTE: BE CAREFUL THAT NUT DOES NOT DAMAGE CASE OF E42 WHEN INSERTING.
- WIRE ADDS SIDE 1:
2-16. FROM E42-2 TO ETCH RUNNING UNDER R11, TACK SOLDER TO ETCH.
2-17. FROM E42-1 TO PTH ABOVE C4
- ECO # 4
WIRE ADDS SIDE 1:
4-1. BETWEEN E36-3 AND E36-10

REWORK INSTRUCTIONS CONT ON PG 4.



NOTES:
1. 8 HOLES .0745 (1.880-2.095) MAYNARD ONLY
2. ADD SOLDER TO LEADS OF C14, DE, D6, D17, C18.

CHG	NO	REV	BY	DATE	DESCRIPTION
1	1	A	M. CASTELLANOS	12/15/77	INITIAL RELEASE
2	1	B	M. CASTELLANOS	12/15/77	ADD SOLDER TO LEADS OF C14, DE, D6, D17, C18
3	1	C	M. CASTELLANOS	12/15/77	ADD SOLDER TO LEADS OF C14, DE, D6, D17, C18
4	1	D	M. CASTELLANOS	12/15/77	ADD SOLDER TO LEADS OF C14, DE, D6, D17, C18
5	1	E	M. CASTELLANOS	12/15/77	ADD SOLDER TO LEADS OF C14, DE, D6, D17, C18
6	1	F	M. CASTELLANOS	12/15/77	ADD SOLDER TO LEADS OF C14, DE, D6, D17, C18
7	1	G	M. CASTELLANOS	12/15/77	ADD SOLDER TO LEADS OF C14, DE, D6, D17, C18
8	1	H	M. CASTELLANOS	12/15/77	ADD SOLDER TO LEADS OF C14, DE, D6, D17, C18
9	1	I	M. CASTELLANOS	12/15/77	ADD SOLDER TO LEADS OF C14, DE, D6, D17, C18
10	1	J	M. CASTELLANOS	12/15/77	ADD SOLDER TO LEADS OF C14, DE, D6, D17, C18
11	1	K	M. CASTELLANOS	12/15/77	ADD SOLDER TO LEADS OF C14, DE, D6, D17, C18
12	1	L	M. CASTELLANOS	12/15/77	ADD SOLDER TO LEADS OF C14, DE, D6, D17, C18
13	1	M	M. CASTELLANOS	12/15/77	ADD SOLDER TO LEADS OF C14, DE, D6, D17, C18
14	1	N	M. CASTELLANOS	12/15/77	ADD SOLDER TO LEADS OF C14, DE, D6, D17, C18
15	1	O	M. CASTELLANOS	12/15/77	ADD SOLDER TO LEADS OF C14, DE, D6, D17, C18
16	1	P	M. CASTELLANOS	12/15/77	ADD SOLDER TO LEADS OF C14, DE, D6, D17, C18
17	1	Q	M. CASTELLANOS	12/15/77	ADD SOLDER TO LEADS OF C14, DE, D6, D17, C18
18	1	R	M. CASTELLANOS	12/15/77	ADD SOLDER TO LEADS OF C14, DE, D6, D17, C18
19	1	S	M. CASTELLANOS	12/15/77	ADD SOLDER TO LEADS OF C14, DE, D6, D17, C18
20	1	T	M. CASTELLANOS	12/15/77	ADD SOLDER TO LEADS OF C14, DE, D6, D17, C18
21	1	U	M. CASTELLANOS	12/15/77	ADD SOLDER TO LEADS OF C14, DE, D6, D17, C18
22	1	V	M. CASTELLANOS	12/15/77	ADD SOLDER TO LEADS OF C14, DE, D6, D17, C18
23	1	W	M. CASTELLANOS	12/15/77	ADD SOLDER TO LEADS OF C14, DE, D6, D17, C18
24	1	X	M. CASTELLANOS	12/15/77	ADD SOLDER TO LEADS OF C14, DE, D6, D17, C18
25	1	Y	M. CASTELLANOS	12/15/77	ADD SOLDER TO LEADS OF C14, DE, D6, D17, C18
26	1	Z	M. CASTELLANOS	12/15/77	ADD SOLDER TO LEADS OF C14, DE, D6, D17, C18

135 SEE NOTE 2

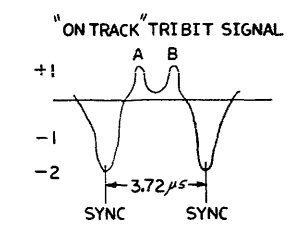
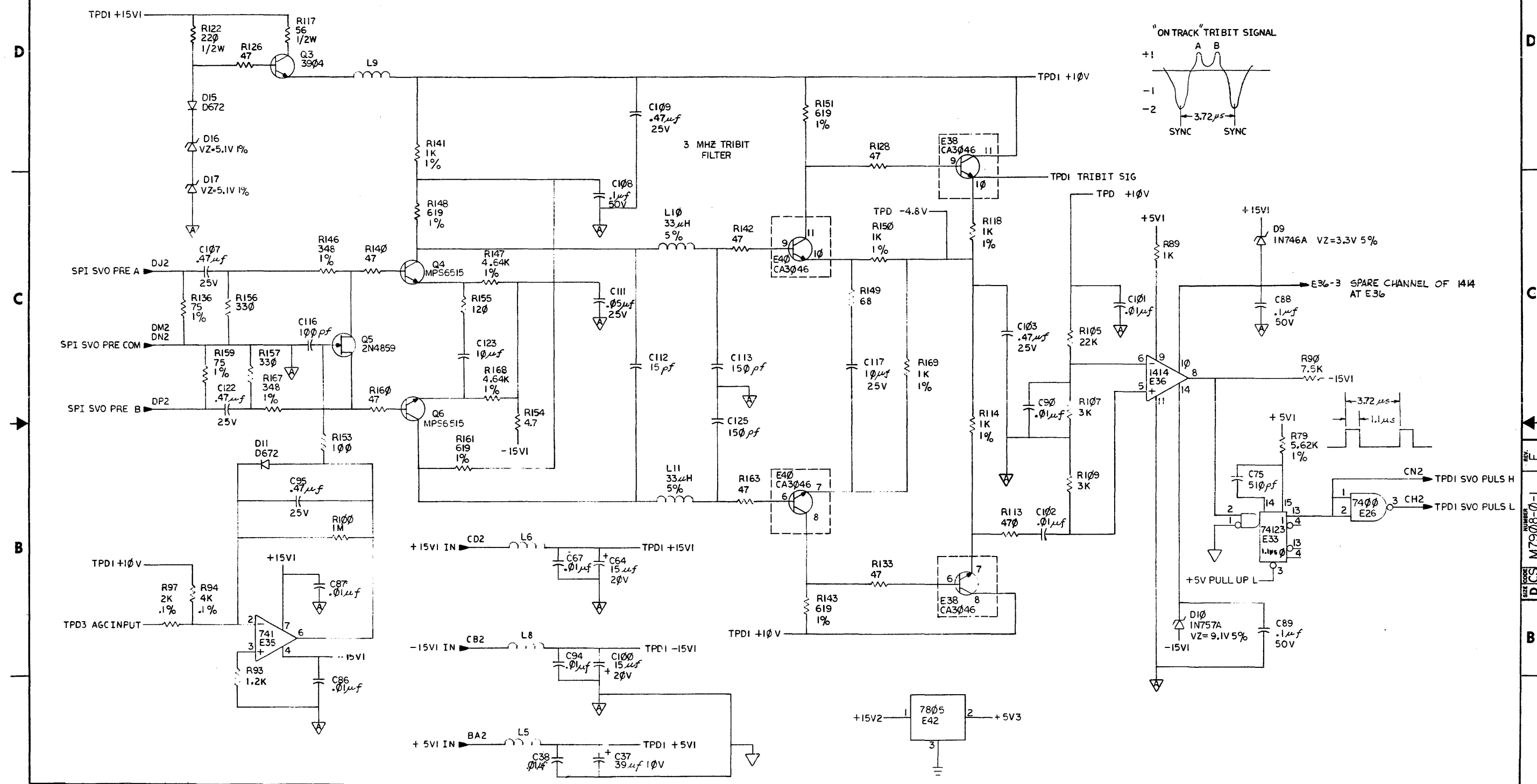
ETCH REV. B-P1	DATE
P.C. DESIGN DATA BASE REV. B1	

SIGNATURES		DATE	digital
DRN. M. SIDMAN		12/15/77	
CHK'D. M. SIDMAN		12/15/77	
ENG. M. SIDMAN		12/15/77	TITLE
PROJ. ENG. M. SIDMAN		12/15/77	TPD/PLO
PROD.			SIZE CODE
SCALE 2/1			NUMBER
SHT. 1 OF 4			D U A M7908-0-0 P
NEXT HIGHER ASSY. B-DU-M7908-0-0			REV

D U A M7908-0-0 F

"THIS DRAWING AND SPECIFICATIONS HEREIN ARE THE PROPERTY OF DIGITAL EQUIPMENT CORPORATION AND SHALL NOT BE REPRODUCED OR COPIED OR USED IN WHOLE OR IN PART AS THE BASIS FOR THE MANUFACTURE OR SALE OF ITEMS WITHOUT WRITTEN PERMISSION. COPYRIGHT © 1977, DIGITAL EQUIPMENT CORPORATION"

+10 VOLT SUPPLY

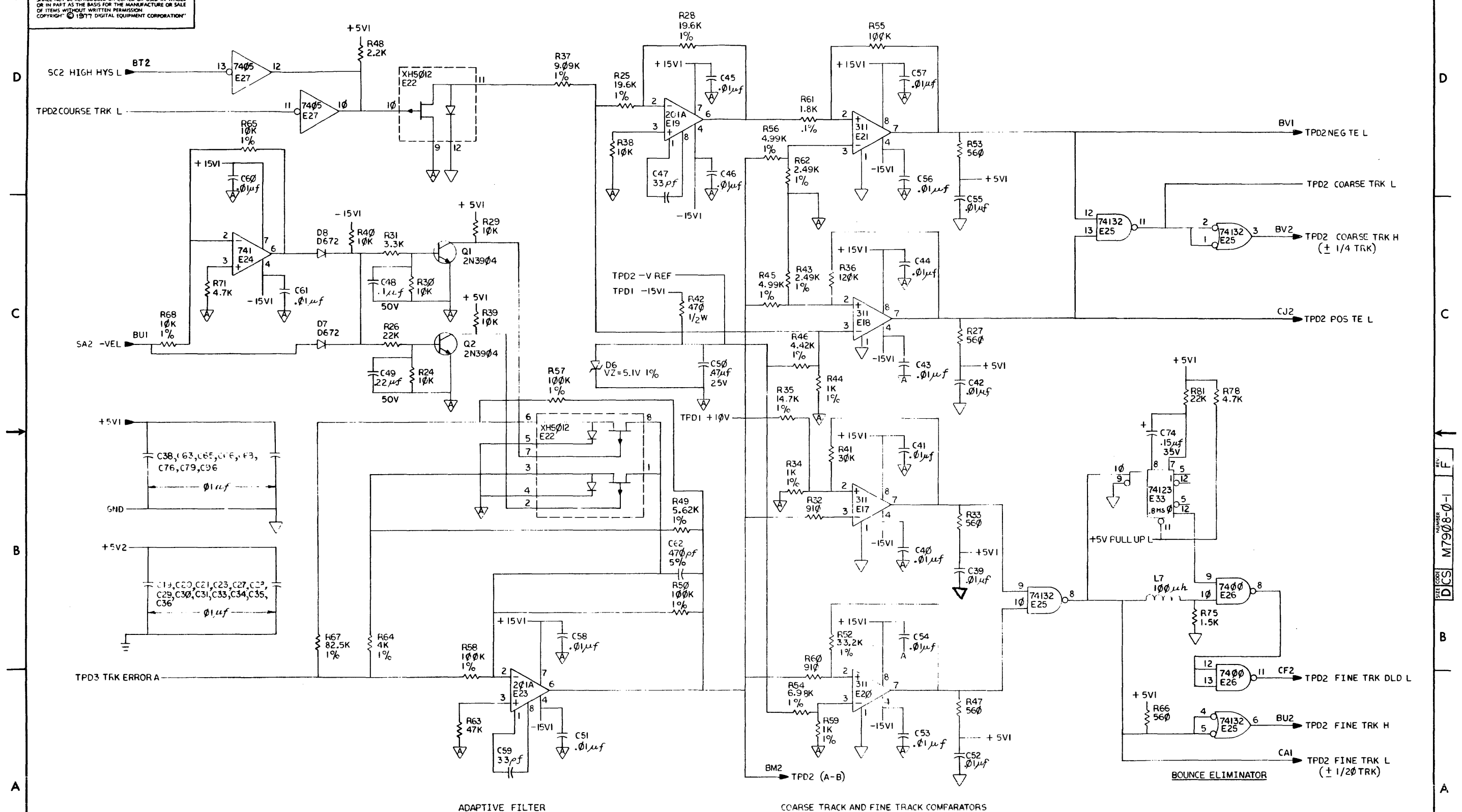


REV.	CHANGE NO.	CHK'D	DATE
A	0001	M. SIDMAN	7/1/77
B	0002	M. SIDMAN	7/1/77
C	0003	M. SIDMAN	7/1/77
D	0004	M. SIDMAN	7/1/77
E	0005	M. SIDMAN	7/1/77
F	0006	M. SIDMAN	7/1/77

DRN	7/1/77	FIRST USED ON	RK07	digital
CHK'D	8/5/77	TITLE	TFD/PLO	
ENG.	9/2/77	PROJECT	TFD/PLO	
PROJ. ENG.	9/2/77	SCALE	D CS	
PROD.	9/2/77	SHEET	1	OF 4
NEXT HIGHER ASSY.		SIZE CODE	D CS	NUMBER
B-DD-M7908-0		REV.	F	

M7908-0-1
 DCS
 M7908-0-1
 M.L.

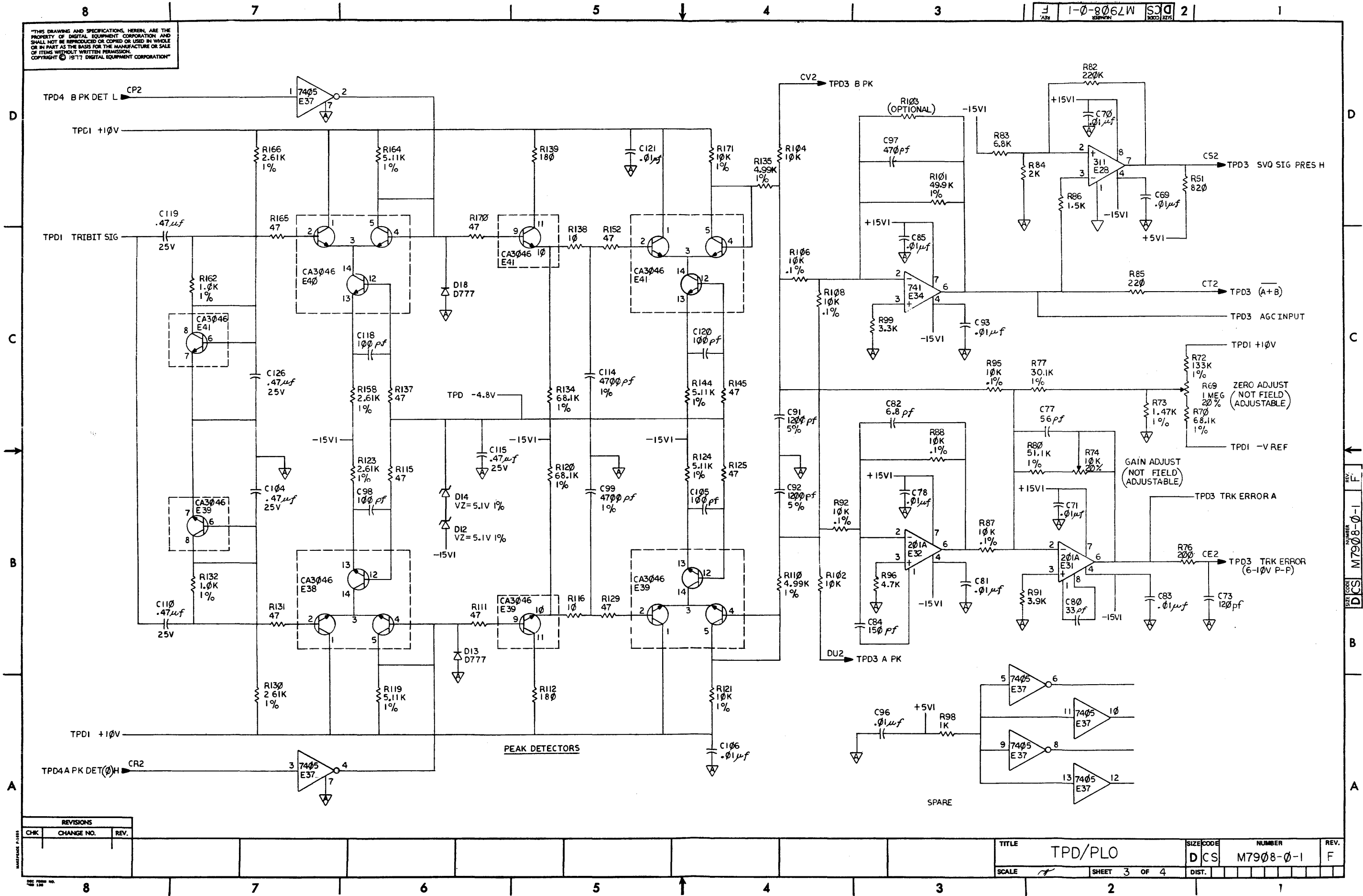
"THIS DRAWING AND SPECIFICATIONS HEREIN ARE THE PROPERTY OF DIGITAL EQUIPMENT CORPORATION AND SHALL NOT BE REPRODUCED OR COPIED OR USED IN WHOLE OR IN PART AS THE BASIS FOR THE MANUFACTURE OR SALE OF ITEMS WITHOUT WRITTEN PERMISSION. COPYRIGHT © 1977 DIGITAL EQUIPMENT CORPORATION"



REVISIONS		
CHK	CHANGE NO.	REV.

REV. F NUMBER M7908-0-1 DCS

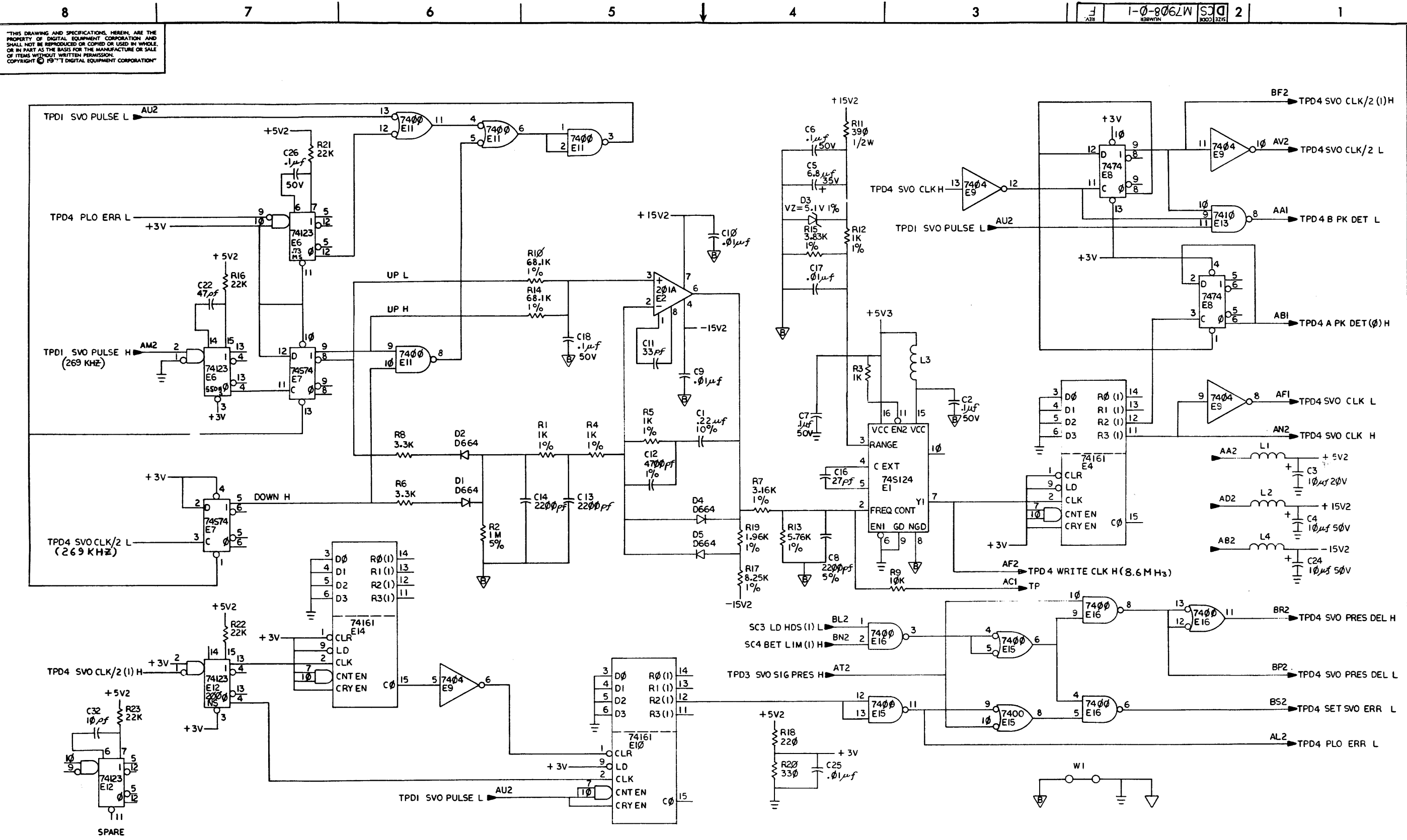
THIS DRAWING AND SPECIFICATIONS, HEREIN, ARE THE PROPERTY OF DIGITAL EQUIPMENT CORPORATION AND SHALL NOT BE REPRODUCED OR COPIED OR USED IN WHOLE OR IN PART AS THE BASIS FOR THE MANUFACTURE OR SALE OF ITEMS WITHOUT WRITTEN PERMISSION. COPYRIGHT © 1977 DIGITAL EQUIPMENT CORPORATION



REVISIONS		
CHK	CHANGE NO.	REV.

TITLE	TPD/PLO	SIZE CODE	DCS	NUMBER	M7908-0-1	REV.	F
SCALE	1	SHEET	3 OF 4	DIST.			

NUMBER M7908-0-1
 SIZE CODE DCS
 REV. F



THIS DRAWING AND SPECIFICATIONS, HEREIN, ARE THE PROPERTY OF DIGITAL EQUIPMENT CORPORATION AND SHALL NOT BE REPRODUCED OR COPIED OR USED IN WHOLE OR IN PART AS THE BASIS FOR THE MANUFACTURE OR SALE OF ITEMS WITHOUT WRITTEN PERMISSION. COPYRIGHT © 1977 DIGITAL EQUIPMENT CORPORATION

1-0-8062W SCS 2

REVISIONS		
CHK	CHANGE NO.	REV.

TITLE	TPD/PLO	SIZE CODE	D CS	NUMBER	M7908-0-1	REV.	F
SCALE	#	SHEET	4 OF 4	DIST.			

REV. F
M7908-0-1

LINE ITEM	DOCUMENT NUMBER	PART NUMBER	DESCRIPTION	QTY PER VARIATION	REFERENCE DESIGNATOR
				00	
1	1	D-CS-M7908-0-1	CIRCUIT SCHEMATIC	REF	
2	2	D-UA-M7908-0-0	UNIT ASSEMBLY	REF	
3	3	B-DD-M7908-0-0	DWG DIRECTORY	REF	
4	4	D-MD-5012933-0-0	DRILL & ETCH DWG	REF	
5	5	1000006-00	10.0 MMF 100V 5%200PPM MICA	1	C32
6	6	1000009-00	33.0 MMF 100V 5%200PPM MICA	4	C11,C47,C59,C80
7	7	1000011-00	47.0 MMF 100V 5%200PPM MICA	1	C22
8	8	1000012-00	56.0 MMF 100V 5%200PPM MICA	1	C77
9	9	1000016-00	100.0 MMF 100V 5%200PPM MICA	5	C98,C105,C116,C118,C120
10	10	1000019-00	150.0 MMF 100V 5%200PPM MICA	3	C84,C113,C125
11	11	1000024-00	470.0 MMF 100V 5%200PPM MICA	2	C62,C97
12	12	1000037-00	.22 MFD 100V 10% MYLR	1	C1
13	13	1000076-00	39 MFD 10V 10% S.TANT	1	C37
14	14	1001610-01	.01 MFD50/100V +80-20% DISC	60	C9,C10,C17,C19,C20,C21,C23,C25, CONT C27-C31,C33-C36,C38-C46,C51-C58, CONT C60,C61,C63,C65-C71,C76,C78,C79, CONT C81,C83,C85-C87,C90,C93,C94,C96, CONT C101,C102,C106,C121
15	15	1001739-00	27.0 MMF 100V 5%200PPM MICA	1	C16
16	16	1001774-00	.05 MFD 25V 10% Y5U DISC	1	C111
17	17	1000005-00	6.8 MMF 100V 5%200PPM MICA	1	C82
18	18	1002424-00	1200.0 MMF 100V 5%200PPM MICA	2	C91,C92
19	19	1002476-00	510.0 MMF 100V 5%200PPM MICA	1	C75
20	20	1002667-00	10 MFD 50V 10% S.TANT	2	C4,C24
21	21	1004812-00	15 MFD 20V 10% S.TANT	2	C64,C100
22	22	1004813-00	10 MFD 20V 10% S.TANT	1	C3
23	23	1005306-00	6.8MFD 35V 10% S.TANT	1	C5
24	24	1009312-00	.0047 MFD 100V 1% MYLR	3	C12,C99,C114
25	25	1009957-00	.0022 MFD 100V 10% MYLR	3	C8,C13,C14
26	26	1010279-00	.47 MFD 25V 20% CER	11	C50,C95,C103,C104,C107,C109,

REVISION HISTORY			BASIC PART NO: M7908			DRN: S MARLOW			DATE: 28-MAR-78			D I G I T A L		
ENG	ECO NUMBER	REV	SECTION A OF A			CHK'D:	P BOSSMAN		DATE:	TITLE PARTS LIST				
D.R	00003	C	SECTION VARIATION INDEX			CHK'D:	P BOSSMAN		DATE:	TPD/PLO				
R.R	00004	D	[A] 00											
M.C	M7908-ML005	E	[B]											
MC	ML006	F	[C]											
			[D]											
			[E]											
			[F]											
			[G]											
			[H]											
			[I]											
			[J]											
			[K]											
			[L]											
			[M]											
			[N]											
						RESP.ENG.: M SIDMAN			DATE: 28-MAR-78			DOCUMENT NUMBER		
						MFG.ENG.: M SIDMAN			DATE: 28-MAR-78			SIZE!CODE! NUMBER ! REV !		
						ASSEMBLY NUMBER:			TOP DOCUMENT NUMBER:			FILE NAME: ! EDIT #!		
						D-UA-M7908-0-0			RK07			Z1560F.PLS ! 11 !		

"THIS DRAWING AND SPECIFICATIONS HEREIN, ARE THE PROPERTY OF DIGITAL EQUIPMENT CORPORATION AND SHALL NOT BE REPRODUCED OR COPIED OR USED IN WHOLE OR IN PART AS THE BASIS FOR THE MANUFACTURE OR SALE OF ITEMS WITHOUT WRITTEN PERMISSION. COPYRIGHT (C) 1980. DIGITAL EQUIPMENT CORPORATION"

LINE ITEM	DOCUMENT NUMBER	PART NUMBER	DESCRIPTION	QTY PER VARIATION	REFERENCE DESIGNATOR
				00	
27	27	1010978-36	.1 MFD 50V 10% CER	9	CONT C110,C115,C119,C122,C126 C2,C6,C7,C18,C26,C48,C88,C89, C108
28	28	1011895-00	.15 MFD 35V 10% S.TANT	1	CONT C74
29	29	1100114-00	D 664 QS\75PCB PIV= 25V SP	4	D1,D2,D4,D5
30	30	1103041-00	DEC 777 QS=12PCB PIV= 8VS	2	D13,D18
31	31	1104860-00	1N 746A VZ= 3.3 5%	1	D9
32	32	1105275-00	D 672 TR= 15NS PIV= 60V SI	4	D7,D8,D11,D15
33	33	1105873-00	4M5-1A21 VZ= 5.1 1% .400W	6	D3,D6,D12,D14,D16,D17
34	34	1109990-00	1N 757A VZ= 9.1 5% .40W P	1	D10
35	35	1300202-00	47.0 .25 W 5.0 % CC	17	R111,R115,R125,R126,R128,R129, R131,R133,R137,R140,R142,R145, CONT R152,R160,R163,R165,R170 CONT R149
36	36	1300219-00	68.0 .25 W 5.0 % CC	1	R153
37	37	1300229-00	100.0 .25 W 5.0 % CC	1	R155
38	38	1300247-00	120.0 .25 W 5.0 % CC	1	R18,R85
39	39	1300271-00	220.0 .25 W 5.0 % CC	2	R122
40	40	1300274-00	220.0 .50 W 5.0 % CC	1	R20,R156,R157
41	41	1300295-00	330.0 .25 W 5.0 % CC	3	R11
42	42	1300308-00	390.0 .50 W 5.0 % CC	1	R42
43	43	1300315-00	470.0 .50 W 5.0 % CC	1	R113
44	44	1300316-00	470.0 .25 W 5.0 % CC	1	R3,R89,R98
45	45	1300365-00	1.0 K .25 W 5.0 % CC	3	R75,R86
46	46	1300391-00	1.50 K .25 W 5.0 % CC	2	R107,R109
47	47	1300432-00	3.0 K .25 W 5.0 % CC	2	R6,R8,R31,R99
48	48	1300439-00	3.30 K .25 W 5.0 % CC	4	R91
49	49	1300444-00	3.90 K .25 W 5.0 % CC	1	R71,R78,R96
50	50	1300447-00	4.70 K .25 W 5.0 % CC	3	R9,R24,R29,R30,R38-R40,R102,R104
51	51	1300479-00	10.0 K .25 W 5.0 % CC	9	R36
52	52	1300539-00	120.0 K .25 W 5.0 % CC	1	R52
53	53	1305420-00	33.20 K .25 W 1.0 % RN55D-F10	1	R116,R138
54	54	1301317-00	10.0 .25 W 5.0 % CC	2	R93
55	55	1301320-00	1.20 K .25 W 5.0 % CC	1	R112,R139
56	56	1301322-00	180.0 .25 W 5.0 % CC	2	R90
57	57	1301422-00	7.50 K .25 W 5.0 % CC	1	R83
58	58	1301423-00	6.80 K .25 W 5.0 % CC	1	C112
59	59	1002427-00	15.0 MMF 100V 5%200PPM MICA	1	R51
60	60	1301775-00	820.0 .25 W 5.0 % CC	1	R64
61	61	1305127-00	4.0 K .25 W 1.0 % RN55D-F10	1	R16,R21-R23,R26,R81,R105
62	62	1301808-00	22.0 K .25 W 5.0 % CC	7	R27,R33,R47,R53,R66
63	63	1301890-00	560.0 .25 W 5.0 % CC	5	R82
64	64	1302092-00	220.0 K .25 W 5.0 % CC	1	R63
65	65	1302177-00	47.0 K .25 W 5.0 % CC	1	R84
66	66	1302388-00	2.0 K .25 W 5.0 % CC	1	R41
67	67	1302394-00	30.0 K .25 W 5.0 % CC	1	R55
68	68	1302466-00	100.0 K .25 W 5.0 % CC	1	R94
69	69	1305354-00	4.0 K .25 W .10% RN55C-B 5	1	R13
70	70	1302859-00	5.76 K .25 W 1.0 % RN55D-F10	1	

D	I	G	I	T	A	L	TITLE	TPD/PLO	SECTION A	OF A	SIZE	CODE	DOCUMENT NUMBER	REV
												K PL	M7908-0-DBP	F

LINE ITEM	DOCUMENT NUMBER	PART NUMBER	DESCRIPTION	QTY PER VARIATION	REFERENCE DESIGNATOR
				00	
71	71	1311522-00	200.0 .25 W 5.0 % CC	1	R76
72	72	1303044-00	100.0 K .25 W 1.0 % RN55D-F10	3	R50,R57,R58
73	73	1300417-00	2.20 K .25 W 5.0 % CC	1	R48
74	74	1312626-00	2.49 K .25 W 1.0 % RN55D-F10	2	R43,R62
75	75	1303045-00	3.16 K .25 W 1.0 % RN55D-F10	1	R7
76	76	1303064-00	75.0 .25 W 1.0 % RN55D-F10	2	R136,R159
77	77	1303114-00	1.0 K .25 W 1.0 % RN55D-F10	14	R1,R4,R5,R12,R34,R44,R59,R114, R118,R132,R150,R162,R169,R141 R123,R130,R158,R166
78	78	1303303-00	2.61 K .25 W 1.0 % RN55D-F10	4	CONT
79	79	1303311-00	*** THIS ITEM IS NOT USED ***	-	
80	80	1303312-00	10.0 K .25 W 1.0 % RN55D-F10	4	R65,R68,R121,R171
81	81	1304833-00	1.96 K .25 W 1.0 % RN55D-F10	1	R19
82	82	1304854-00	5.11 K .25 W 1.0 % RN55D-F10	4	R119,R124,R144,R164
83	83	1304855-00	9.09 K .25 W 1.0 % RN55D-F10	1	R37
84	84	1304858-00	348.0 .25 W 1.0 % RN55D-F10	2	R146,R167
85	85	1305108-00	1.47 K .25 W 1.0 % RN55D-F10	1	R73
86	86	1304856-00	4.64 K .25 W 1.0 % RN55D-F10	2	R147,R168
87	87	1305126-00	619.0 .25 W 1.0 % RN55D-F10	4	R143,R148,R151,R161
88	88	1305128-00	5.62 K .25 W 1.0 % RN55D-F10	2	R49,R79
89	89	1305130-00	133.0 K .25 W 1.0 % RN55D-F10	1	R72
90	90	1305252-00	68.10 K .25 W 1.0 % RN55D-F10	5	R10,R14,R70,R120,R134
91	91	1305324-00	4.99 K .25 W 1.0 % RN55D-F10	4	R45,R56,R110,R135
92	92	1305353-00	2.0 K .25 W .10% RN55C-B 5	1	R97
93	93	1305374-00	910.0 .25 W 5.0 % CC	2	R32,R60
94	94	1305431-00	10.0 K .25 W .10% RN55E-B 2	6	R87,R88,R92,R95,R106,R108
95	95	1309143-18	1.0 M .75 W20.0 % POT	1	R69
96	96	1309143-10	10.0 K .75 W10.0 % POT	1	R74
97	97	1309295-00	1.80 K .25 W .10% RN55E-B 2	1	R61
98	98	1309314-03	4.42 K .50 W 1.0 % RN60D-F10	1	R46
99	99	1309413-00	3.83 K .25 W 1.0 % RN55D-F10	1	R15
100	100	1309419-00	19.60 K .25 W 1.0 % RN55D-F10	2	R25,R28
101	101	1309420-00	8.25 K .25 W 1.0 % RN55D-F10	1	R17
102	102	1309595-00	1.0 M .25 W 5.0 % CC	2	R2,R100
103	103	1309995-00	56.0 .50 W 5.0 % CC	1	R117
104	104	1310636-00	82.50 K .25 W 1.0 % RN55D-F10	1	R67
105	105	1312988-00	49.90 K .25 W 1.0 % RN55D-F10	1	R101
106	106	1000018-00	120.0 MMF 100V 5%200PPM MICA	1	C73
107	107	1514999-00	MPS6515 NPN 350MW SI 25 250	2	Q4,Q6
108	108	1509524-00	2N 3904 NPN 310MW SI 40 40 M	3	Q1-Q3
109	109	1509900-00	2N 4859 FET 360MW SIN CHNNL	1	Q5
110	110	1601759-00	33 UH 5% 300MA	2	L10,L11
111	111	1610662-00	100.0 UH 10% 165MA #DD1 00	1	L7
112	112	1611257-01	CHOKE(CERAMIC BEAD)AXIAL LEAD,ON	8	L1-L6,L8,L9
113	113	1010866-02	10 MFD 25V +50-20% S.TANT	2	C117,C123
114	114	1905547-00	7474 FF-D DUAL,EDGE TRIGG	1	E8
115	115	1905575-00	7400 NAND GATE-QUAD 2IN	4	E11,E15,E16,E26
116	116	1905576-00	7410 NAND GATE-TRIPLE 3IN	1	E13
117	117	1909686-00	7404 INVERTER GATE-HEX 1I	1	E9

! D ! I ! G ! I ! T ! A ! L !	TITLE	SECTION A OF A	! SIZE ! CODE ! DOCUMENT NUMBER ! REV !
! ! ! ! ! ! ! !	TPD/PLD	! ! ! ! ! ! ! !	! K ! PL ! M7908-0-DBP ! F !

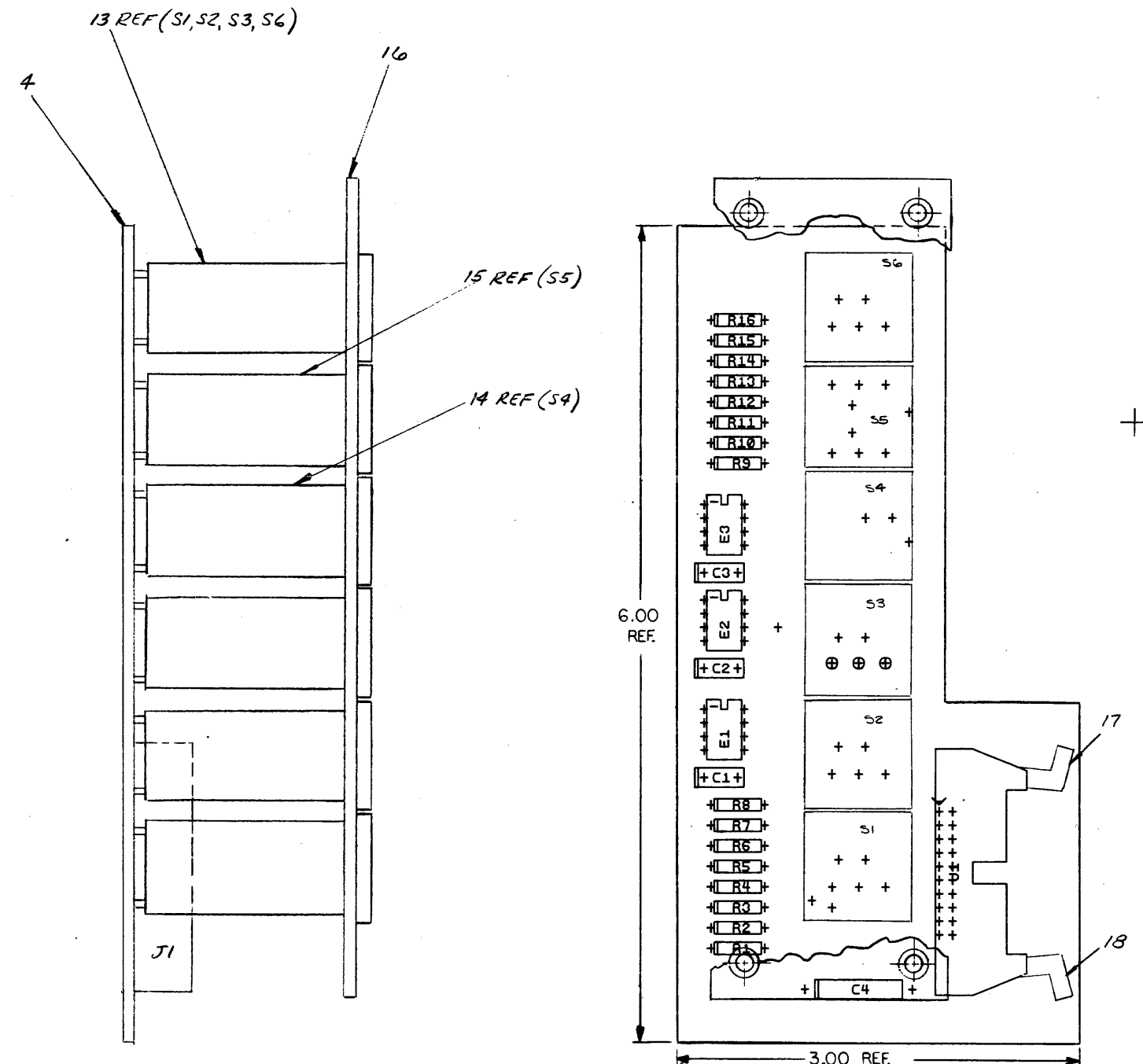
LINE	ITEM	DOCUMENT NUMBER	PART NUMBER	DESCRIPTION	QTY	PER VARIATION	REFERENCE DESIGNATOR
					00		
118	118		1909930-00	7405 INVERTER GATE-HEX 1I	2		E27,E37
119	119		1910298-00	741 OP AMP GEN PURP. COM	3		E24,E34,E35
120	120		1910337-00	DEC 1414L VOLT.COMPARATOR,DUAL	1		E36
121	121		1910436-00	DEC 74123 ONE SHOT-DUAL,RETRIG	3		E6,E12,E33
122	122		1910544-00	74S74 FF-D DUAL,EDGE TRIGG	1		E7
123	123		1910650-00	74161 COUNTER,SYNCHR. UP	3		E4,E10,E14
124	124		1911143-00	DEC 201A OP AMP	5		E2,E19,E23,E31,E32
125	125		1911637-00	74132 NAND GATE-QUAD 2 IN	1		E25
126	126		1911706-00	5012 ANALOG SWITCH,4CHNL	1		E22
127	127		1911911-00	DEC 74S124 OSCILLATOR,DUAL VOLT	1		E1
128	128		1913017-00	3046 XSIDOR ARRAY,3 ISOL	4		E38-E41
129	129		1914140-00	LM 311N VOLT CMPRTR	5		E17,E18,E20,E21,E28
130	130		1213113-01	HANDLE,MODULE,	1		
131	131		1305890-00	4.70 .25 W 5.0 % CC	1		R154
132	132		9000024-01	EYELET, ROLLED FLANGE, .121 OD X	8		
133	133		9009185-00	JUMPER, WIRE, INSULATED, BLACK B	1		W1
134	134		1010978-40	.22 MFD 50V 10% CER	1		C49
135	135		9107256-11	TUBING,THIN WALL,.027ID UL	A/R		
136	136		5012933-00	TPD/PLO	1		
137	137		9006557-00	NUT,KEP , 4-40X 1/4 AF	1		
138	138		9008301-01	SCREW,PAN,PHIL 4-40X 1/4 SS	1		
139	139		9008268-00	COMPOUND, THERMAL JOINT	A/R		
140	140		9107714-00	TUBING,SHRINK,0.0941D EXP. UL	A/R		
141	141		9107776-66	WIRE(WRAP)22AWG,IPVC UL1429 BL	A/R		
142	142	SEE NOTE 148	1912536-00	DEC 7805 VOLT REG,FIX +5V	1		E42
143	143		9105740-55	WIRE(WRAP)30AWG UL1423	A/R		
144	144		1303305-00	6.98 K .25 W 1.0 % RN55D-F10	1		R54
145	145		1302941-00	14.70 K .25 W 1.0 % RN55D-F10	1		R35
146	146		1313476-00	51.10 K .25 W 1.0 % RN55D-F10	1		R80
147	147		1311594-00	30.10 K .25 W 1.0 % RN55D-F10	1		R77

148 NOTE: P/N 19-12536-01, IC 7805 IS AN ACCEPTABLE ALTERNATE PART.

D	I	G	I	T	A	L	TITLE	SECTION A	OF A	SIZE	CODE	DOCUMENT NUMBER	REV
							TPD/PLO			K	PL	M7908-0-DBP	F

THIS DRAWING AND SPECIFICATIONS, HEREIN, AND THE PROPERTY OF ELECTRA EQUIPMENT CORPORATION AND SHALL NOT BE REPRODUCED IN ANY MANNER OR USED IN WHOLE OR IN PART FOR THE PURPOSES OF THE CONSTRUCTION OR SALE OF ITEMS WITHOUT WRITTEN PERMISSION.
 COPYRIGHT © 1976 ELECTRA EQUIPMENT CORPORATION

COMPONENT SIDE VIEW



NOTES:

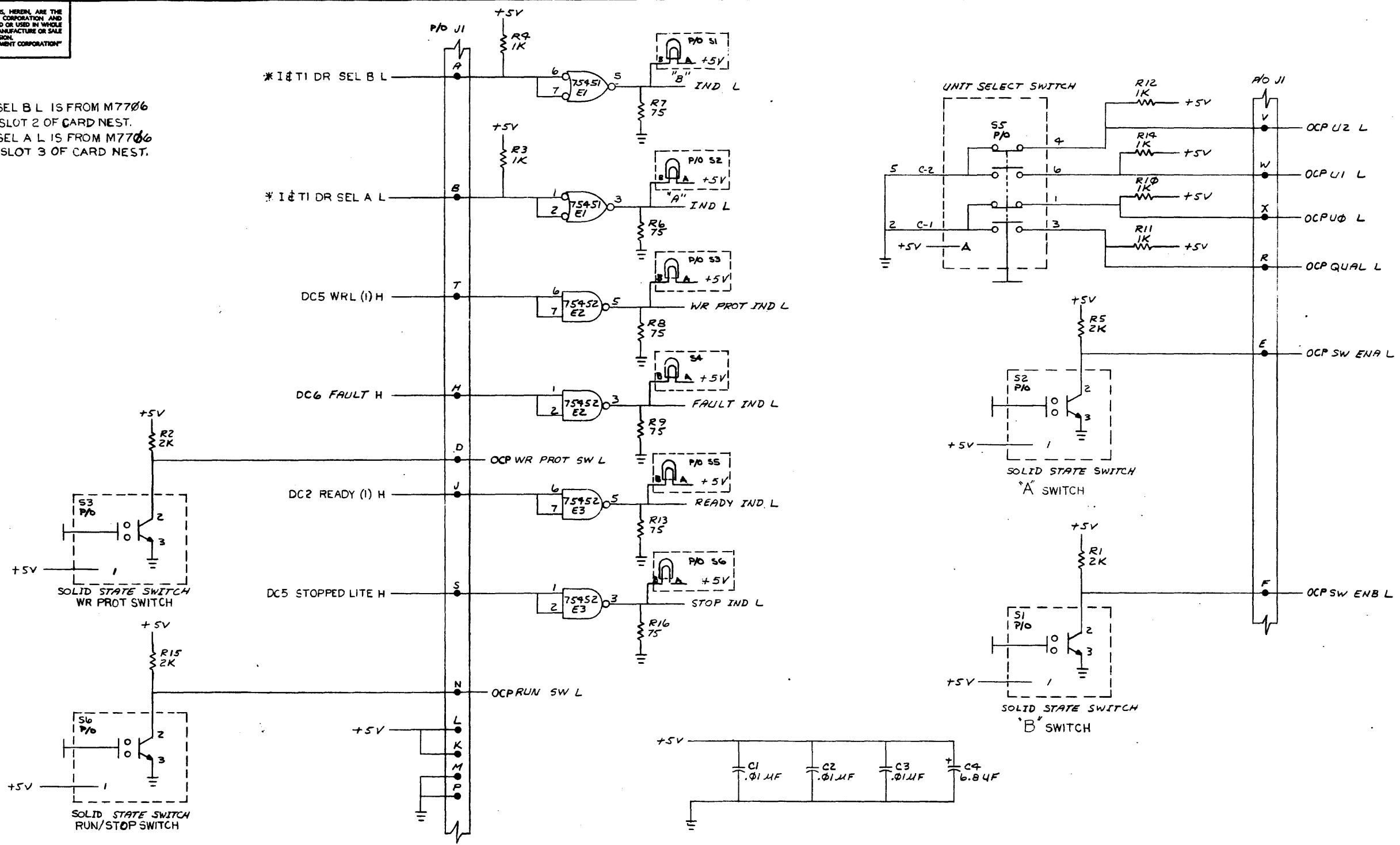
CHG NO	REV	DATE
6/2	F	

ETCH REV. D
P.C. DESIGN DATA BASE REV. D

SIGNATURES		DATE	digital
DRN. F. GAROFALO		4-28-76	
CHK'D. C. BILLY		1 May 76	TITLE OPERATOR CONTROL PANEL
ENG. M. J. ANNO		5/6/76	
PROJ. ENG. A. G. VELLANO		5/6/76	
PROD. C. J. BOWEN		5/25/76	
SCALE 2/1			
SHT. 1 OF 5	SIZE CODE	NUMBER	REV
NEXT HIGHER ASSY. RK06	D	AH 5411823-0-5	F

"THIS DRAWING AND SPECIFICATIONS, HEREIN, ARE THE PROPERTY OF DIGITAL EQUIPMENT CORPORATION AND SHALL NOT BE REPRODUCED OR COPIED OR USED IN WHOLE OR IN PART AS THE BASIS FOR THE MANUFACTURE OR SALE OF ITEMS WITHOUT WRITTEN PERMISSION. COPYRIGHT © 1975, DIGITAL EQUIPMENT CORPORATION"

* NOTE:
I#TI DR SEL B L IS FROM M7706
WHEN IN SLOT 2 OF CARD NEST.
I#TI DR SEL A L IS FROM M7706
WHEN IN SLOT 3 OF CARD NEST.



NOTES:
1. UNLESS OTHERWISE SPECIFIED
RESISTORS ARE 1/4W, 5%

GND +5V
E1-4 E1-8
E2-4 E2-8
E3-4 E3-8

REV. F	5411823-00002
CHK M. CASTELLANOS	
DESIGNER M. CASTELLANOS	

ETCH BOARD		FIRST USED ON	
DRN. M. P. B. 21-NOV-75		RK06	
CHK'D M. P. B. 24-NOV-75		digital	
ENG. M. P. B. 25-MAR-76		TITLE	
PRG. ENG. M. P. B. 25-MAR-76		OPERATORS CONTROL PANEL	
PROD. M. P. B. 25-MAR-76		NEXT HIGHER ASSY.	
D-UA-5411823-0-0	SIZE CODE	NUMBER	REV. F
SCALE	D	CS 5411823-0-1	
SHEET 1	OF 1	DIST.	

REV. F 1-0-1 CS 5411823-0-1

REV. F 1-0-1 CS 5411823-0-1

DIGITAL EQUIPMENT CORPORATION

MAYNARD, MASSACHUSETTS

PARTS LIST

ETCH REV D

QUANTITY / VARIATION

MADE BY M. Poirier	CHECKED <i>F. Sanbjian</i>	SECTION
DATE 9/5/75	DATE 18 NOV 75	
ENG <i>M. Castellano</i>	PROD CE Bowell	ISSUED SECT.
DATE 5/25/76	DATE 5-25-76	

ITEM NO.	DWG NO. / PART NO.	DESCRIPTION	QUANTITY / VARIATION																	
1	D-CS-5411823-0-1	OPERATORS CONTROL PANEL (C.S.)	REF																	
2	D-AH-5411823-0-5	ASSY/DRILLING HOLE LAYOUT	REF																	
3	B-MH-5411823-0-6	MODULE ECO HISTORY	REF																	
4	5011822	ETCH CIRCUIT BOARD	1																	
5	1001610-00	CAP .01UF 50V	3	C1	C2	C3														
6	1005306-00	CAP 6.8UF 35V 10% S.TANT	1	C4																
7	1302379-00	RES 75 1/4W 5%	6	R6	R7	R8	R9	R13	R16											
8	1302388-00	RES 2K 1/4W 5%	4	R1	R2	R5	R15													
9	1300365-00	RES 1K 1/4W 5%	6	R3	R4	R10	R11	R12	R14											
10	1910406-00	I.C. 75451	1	E1																
11	1910645-00	I.C. 75452	2	E2	E3															
12	1209941-06	CONN 20 PIN	1	J1																
13	1212718-00	SWITCH, PUSHBUTTON	4	S1	S2	S3	S6													
14	1212715-00	INDICATOR ASSEMBLY	1	S4																
15	1212690-00	UNIT SELECT BASE MODULE	1	S5																
16	C-MD-7413938-0-0	SWITCH MOUNTING BRACKET	1																	
17	1209941-03	LATCH, LEFT	1																	
18	1209941-04	LATCH, RIGHT	1																	

TITLE OPERATORS CONTROL PANEL	ASSY NO. D-UA-5411823-0-0	SIZE A	CODE PL	NUMBER 5411823-0-0	REV. F	ECO NO. 5411823 00002
SHEET 1 OF 1		DIST.				

8 7 6 5 4 3 2 1

D AH 5411687-0-5 E

THIS DRAWING AND SPECIFICATIONS, GENERAL AND THE PROPERTY OF DIGITAL EQUIPMENT CORPORATION AND SHALL NOT BE REPRODUCED OR COPIED IN WHOLE OR IN PART, IN ANY MANNER FOR THE DISSEMINATION OR SALE OF INFORMATION WITHOUT WRITTEN PERMISSION.
COPYRIGHT © 1977 DIGITAL EQUIPMENT CORPORATION

COMPONENT SIDE VIEW

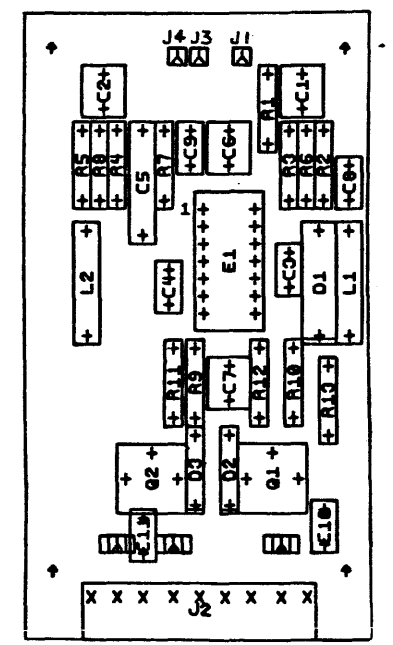
D
C
B
A

D
C
B
A

+

+

SEE SHEET 2



NOTES:

CHANGE NO	REV	DATE	BY
5411687-0003	E		
J. CARTER			
R. LAWSON			

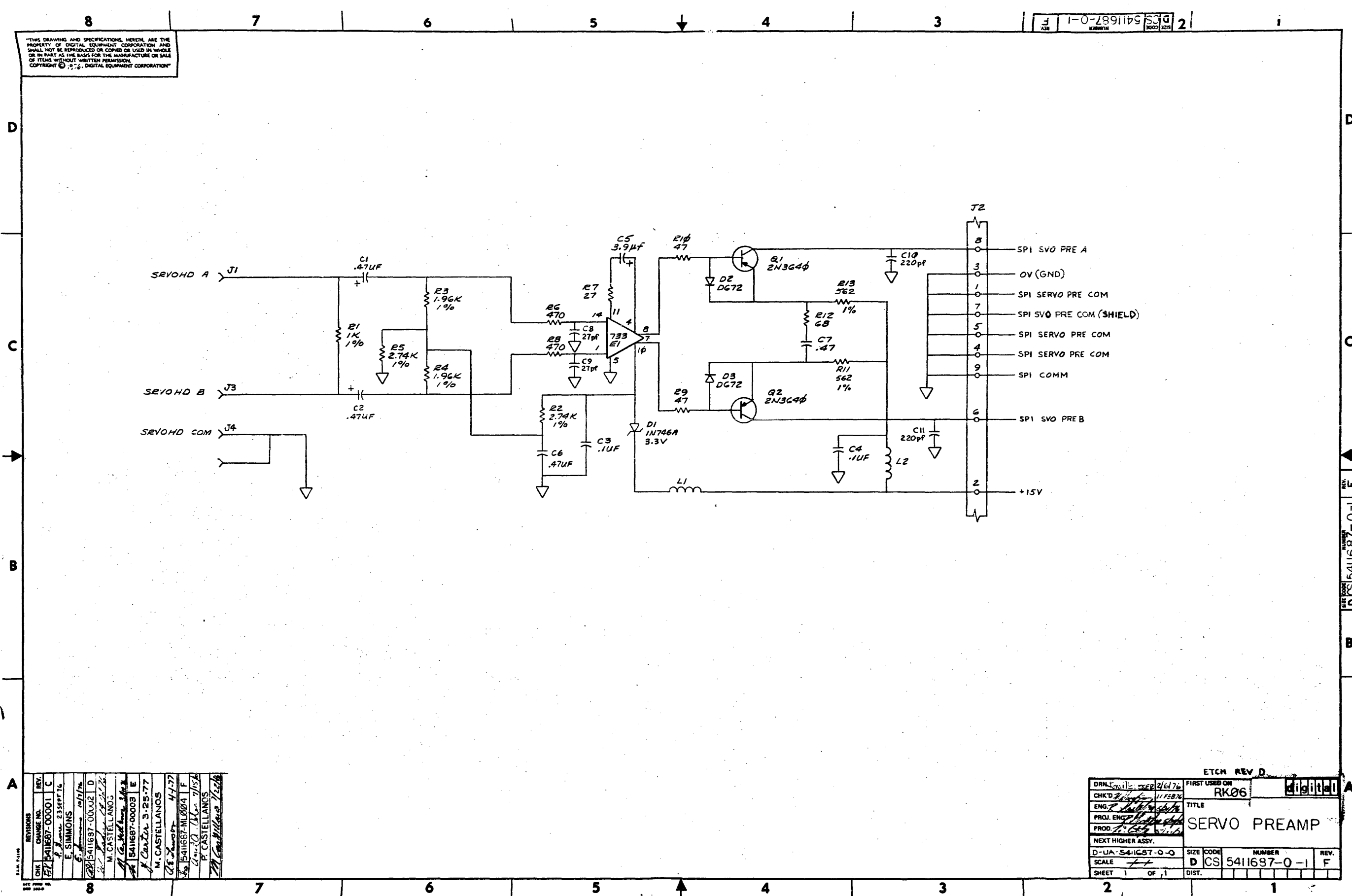
HOLE DATA				
SYMBOL				
FIN HOLE SIZE				
PLATED				
NON PLATED				
QTY.				
(O)-OFF GRD HLE				
DRILL SIZE				

BOARD FABRICATION INFORMATION	
PANEL SIZE	
PANEL DATA DWG.#	
PANEL MAT'L	
QTY. OF LAYERS	
COPPER THICKNESS	
PTH. PRINT AND ETCH	
MOOLE INSERTED 100 TIMES OR MORE	

SIGNATURES	DATE	TITLE
DRN. J. CARTER	3-21-77	digital
CHK'D.	3-21-77	
ENG. R. LAWSON	4-1-77	
PROJ. ENG. J. CARTER	4-1-77	SERVO PREAMP
PROD. J. CARTER	7-8-77	
SCALE 2/1	SIZE CODE	NUMBER
SHT. 1 OF 4	0	AH 5411687-0-5 E
NEXT HIGHER ASSY. RKOG	ETCH	REV D

8 7 6 5 4 3 2 1 MS#

THIS DRAWING AND SPECIFICATIONS, HEREIN, ARE THE PROPERTY OF DIGITAL EQUIPMENT CORPORATION AND SHALL NOT BE REPRODUCED OR COPIED OR USED IN WHOLE OR IN PART AS THE BASIS FOR THE MANUFACTURE OR SALE OF ITEMS WITHOUT WRITTEN PERMISSION. COPYRIGHT © 1976, DIGITAL EQUIPMENT CORPORATION



REV.	CHG.	NO.	DATE	BY	CHKD.
C		5411687-00001	23 SEPT 76	E. SIMMONS	
D		5411687-00002	01/17/76	M. CASTELLANOS	
E		5411687-00003	3-25-77	M. CASTELLANOS	
F		5411687-ML004	4-17-77	M. CASTELLANOS	
		5411687-00004	7/15/76	M. CASTELLANOS	

DRN. NO.	216176	FIRST USED ON	RK06
CHK'D	11 FEB 76	TITLE	SERVO PREAMP
ENG.		SIZE	D CS
PROJ. ENG.		NUMBER	5411687-0-1
PROJ. NO.		REV.	F
NEXT HIGHER ASSY.		SHEET	1 OF 1
D-UA-5411687-0-0		DIST.	

REV F
D CS 5411687-0-1

REV F
D CS 5411687-0-1

ETCH REV D

digital

LINE	ITEM	DOCUMENT NUMBER	PART NUMBER	DESCRIPTION	QTY PER VARIATION 00	REFERENCE DESIGNATOR
1	1	D-CS-5411687-0-1		SERVO PREAMP (C.S.)	REF	
2	2	D-AH-5411687-0-5		ASSY/DRILLING HOLE LAYOUT	REF	
3	3	B-MH-5411687-0-6		MODULE ECO HISTORY	REF	
4	4		5011686-00	54-11687	1	
5	5		1010279-00	.47 MFD 25V 20% CER	2	C6,C7
6	6		1010978-36	.1 MFD 50V 10% CER	2	C3,C4
7	7		1000064-00	3.9MFD 10V 10% S.TANT	1	C5
8	8		1104860-00	1N 746A VZ= 3.3 5%	1	D1
9	9		1105275-00	D 672 TR= 15NS PIV= 60V SI	2	D2,D3
10	10		1300202-00	47.0 .25 W 5.0 % CC	2	R9,R10
11	11		1300219-00	68.0 .25 W 5.0 % CC	1	R12
12	12		1304693-00	562.0 .25 W 1.0 % RN55D-F10	2	R11,R13
13	13		1303114-00	1.0 K .25 W 1.0 % RN55D-F10	1	R1
14	14		1304833-00	1.96 K .25 W 1.0 % RN55D-F10	2	R3,R4
15	15		1304868-00	2.74 K .25 W 1.0 % RN55D-F10	2	R2,R5
16	16		1301522-00	27.0 .25 W 5.0 % CC	1	R7
17	17		1503029-00	2N 3640 FNP 200MW SI	2	Q1,Q2
18	18		1611257-01	CHOKE(CERAMIC BEAD)AXIAL LEAD,ON	2	L1,L2
19	19		1210385-01	PIN 1POS WIRE WRAP	3	J1,J3,J4
20	20		1212619-01	HEADER.156 9POS STRAIGHT	1	J2
21	21		1910644-00	733 DIFFERENTIAL AMP,WID	1	E1
22	22		1001739-00	27.0 MMF 100V 5%200PPM MICA	2	C8,C9
23	23		1000021-00	220.0 MMF 100V 5%200PPM MICA	2	C10,C11
24	24		1300316-00	470.0 .25 W 5.0 % CC	2	R6,R8
25	25	B-DD-7012607-0-0		TESTER DOCUMENTATION	REF	
26	26		1017718-00	.470 MFD 35V 20% S.TANT	2	C1,C2

REVISION HISTORY		BASIC PART NO: 5411687		DRN:	LORA METZGER	DATE:	16-JUL-80	DIGITAL		
ENG	ECO NUMBER	REV	SECTION A OF A	CHK'D:	H. DARAKJIAN	DATE:	16-JUL-80	TITLE	PARTS LIST	
FC	5411687-ML004	F	SECTION VARIATION INDEX					SERVO PREAMP		
			[A] 00							
			[B]							
			[C]	DES.ENG:	R. GUSTAFSON	DATE:	16-JUL-80			
			[D]							
			[E]					DOCUMENT NUMBER		
			[F]	RESP.ENG.:	R. GUSTAFSON	DATE:	16-JUL-80			
			[G]					SIZE CODE NUMBER	REV	
			[H]							
			[J]	MFG.ENG.:	F.P.CARTAZZO	DATE:	16-JUL-80	K PL	5411687-0-DBP	F
			[K]							
			[L]							
			[M]	ASSEMBLY NUMBER:		TOP DOCUMENT NUMBER:		FILE NAME:	EDIT #	
			[N]	D-UA-5411687-0-0				Z1565F.PLS	2	

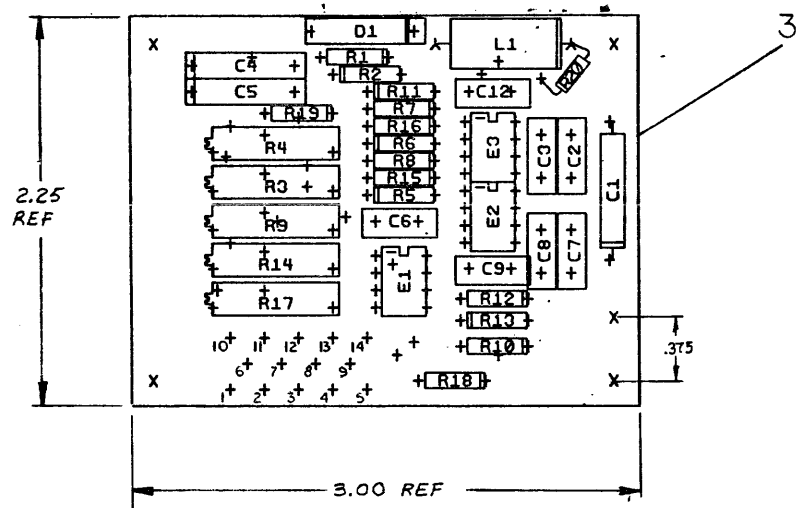
*THIS DRAWING AND SPECIFICATIONS HEREIN, ARE THE PROPERTY OF DIGITAL EQUIPMENT CORPORATION AND SHALL NOT BE REPRODUCED OR COPIED OR USED IN WHOLE OR IN PART AS THE BASIS FOR THE MANUFACTURE OR SALE OF ITEMS WITHOUT WRITTEN PERMISSION. COPYRIGHT (C) 1980. DIGITAL EQUIPMENT CORPORATION *

THIS DRAWING AND SPECIFICATIONS, HEREIN, ARE THE PROPERTY OF DIGITAL EQUIPMENT CORPORATION AND SHALL NOT BE REPRODUCED OR COPIED OR USED IN WHOLE OR IN PART AS THE BASIS FOR THE MANUFACTURE OR SALE OF ITEMS WITHOUT WRITTEN PERMISSION. DIGITAL EQUIPMENT CORPORATION. COPYRIGHT © 1975

NOTES:

- * 1. C12, R15, R16, R17, E3 ARE NOT USED OR INSTALLED IN YA VARIATION.

REF	REF	DESCRIPTION	PART NO.	ITEM NO.
		ASSY/DRILLING HOLE LAYOUT	D-AH-5411881-0-5	1
		MODULE ECO HISTORY	B-MH-541188-0-6	2
1	1	ETCHED CIRCUIT BOARD	5011880	3
2	3	C6, C9, C12*	CAP 33 PF 100V 5% DM	1000009-00
4	4	C2, C3, C7, C8	CAP .01UF 50V CER	1001610-00
2	2	C4, C5	CAP 1.0UF 35V STANT	1001776-00
1	1	C1	CAP 2.0 UF 25V ALEL	1002174-00
2	3	R10, R12, R15*	RES 10K 1/4W 5% CC	1300479-00
-	1	R16*	RES 133K 1/4W 1% MF	1305130-00
2	2	R7, R11	RES 464K 1/4 W 1% MF	1303043-00
4	4	R1, R2, R8, R13	RES 30.1K 1/4W 1% MF	1311594-00
2	2	R5, R6	RES 511 1/4W 1% MF	1302411-00
2	3	R9, R14, R17*	RES 2MEG POT 3/4W 20%	1309143-19
2	2	R3, R4	RES 25 K POT 3/4W 20%	1309143-12
2	2	R18, R19	RES 100 1/4W 5% CC	1300229-00
1	1	D1	DIODE 1N4004	1105796-00
1	1	L1	INDUCTOR 390UH	1602723-01
2	3	E1, E2, E3 *	IC LM308AJ	1913035-00
1	1	R20	RES 47 1/4W 5% CC	1300202-00



IC TYPE	GND	+5V

- M. Castellanos 11-14-78
- M. Castellanos
- DESIGNED BY: M. Castellanos
- DATE: 11-14-78
- REV. 1
- DESIGNED BY: M. Castellanos
- DATE: 11-14-78
- REV. 2
- DESIGNED BY: M. Castellanos
- DATE: 11-14-78
- REV. 3
- DESIGNED BY: M. Castellanos
- DATE: 11-14-78
- REV. 4
- DESIGNED BY: M. Castellanos
- DATE: 11-14-78
- REV. 5

PARTS LIST

QTY	REF. DESIGNATION	DESCRIPTION	PART NO.	ITEM NO.
1	00	ETCH BOARD REV. B		

SEMICONDUCTOR CONVERSION CHART

DEC. NO.	EIA NO.	DEC. NO.	EIA NO.

DRN: M. Castellanos DATE: 5-21-75
 CHK'D: M. Castellanos DATE: 11-SEP-75
 ENGR: M. Castellanos DATE: 24-MAY-76
 PROJ. ENGR: M. Castellanos DATE: 24-MAY-76
 PROD: M. Castellanos DATE: 5/24/76
 NEXT HIGHER ASSY: M. Castellanos

SCALE: 1/16" = 1"

SHEET 1 OF 2

digital

TITLE: PHOTO TRANSDUCER PREAMPLIFIER

SIZE CODE: D CS 5411881-0-1

NUMBER: 1776

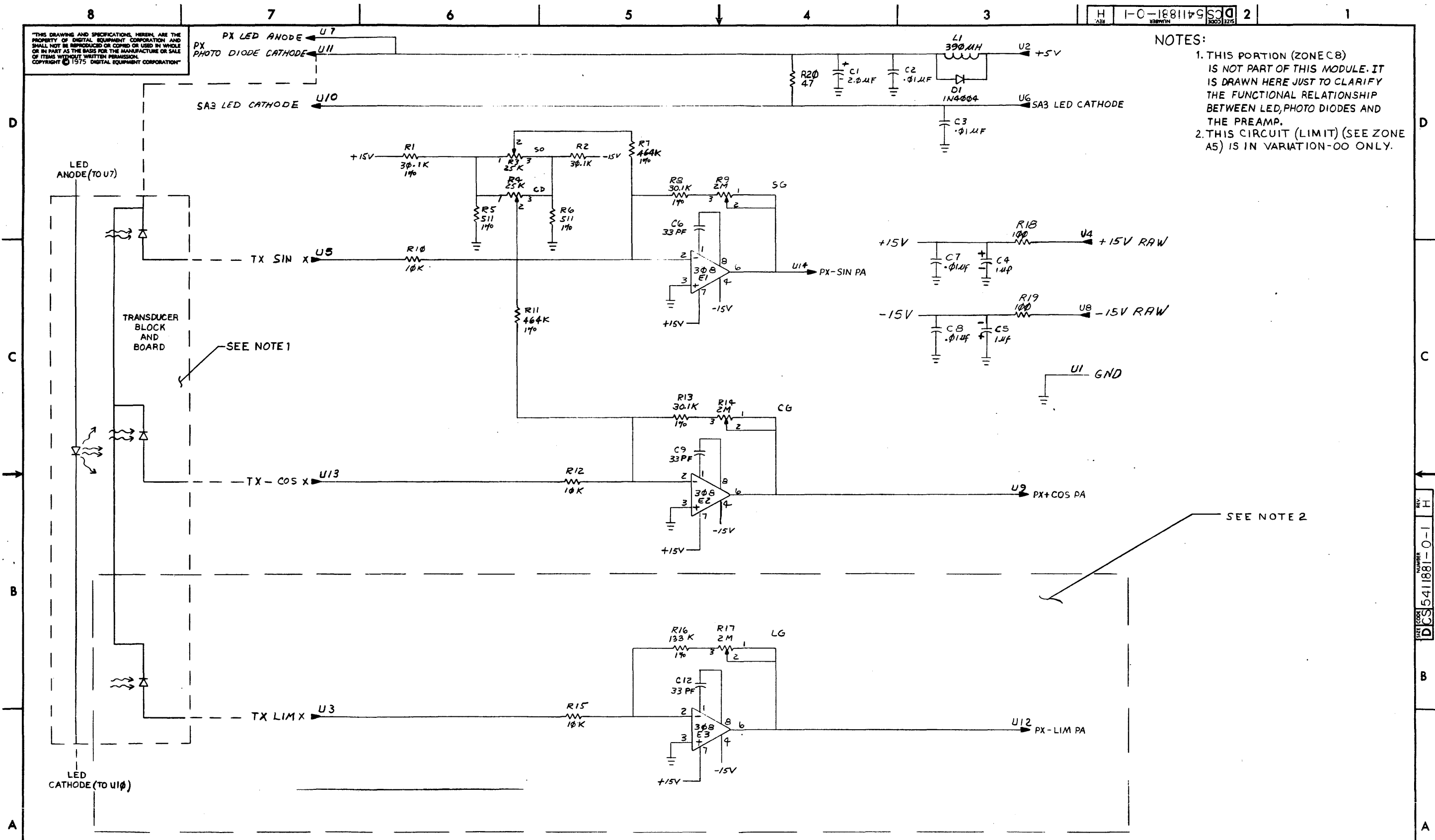
REV. H

THIS DRAWING AND SPECIFICATIONS, HEREIN, ARE THE PROPERTY OF DIGITAL EQUIPMENT CORPORATION AND SHALL NOT BE REPRODUCED OR COPIED OR USED IN WHOLE OR IN PART AS THE BASIS FOR THE MANUFACTURE OR SALE OF ITEMS WITHOUT WRITTEN PERMISSION. COPYRIGHT © 1975 DIGITAL EQUIPMENT CORPORATION

H 1-C-18811-0-1 2

NOTES:

1. THIS PORTION (ZONE C8) IS NOT PART OF THIS MODULE. IT IS DRAWN HERE JUST TO CLARIFY THE FUNCTIONAL RELATIONSHIP BETWEEN LED, PHOTO DIODES AND THE PREAMP.
2. THIS CIRCUIT (LIMIT) (SEE ZONE A5) IS IN VARIATION-00 ONLY.



REVISIONS		
CHK	CHANGE NO.	REV.

TITLE PHOTO TRANSDUCER PREAMPLIFIER
 SIZE CODE D CS 541881-0-1
 NUMBER H
 SHEET 2 OF 2

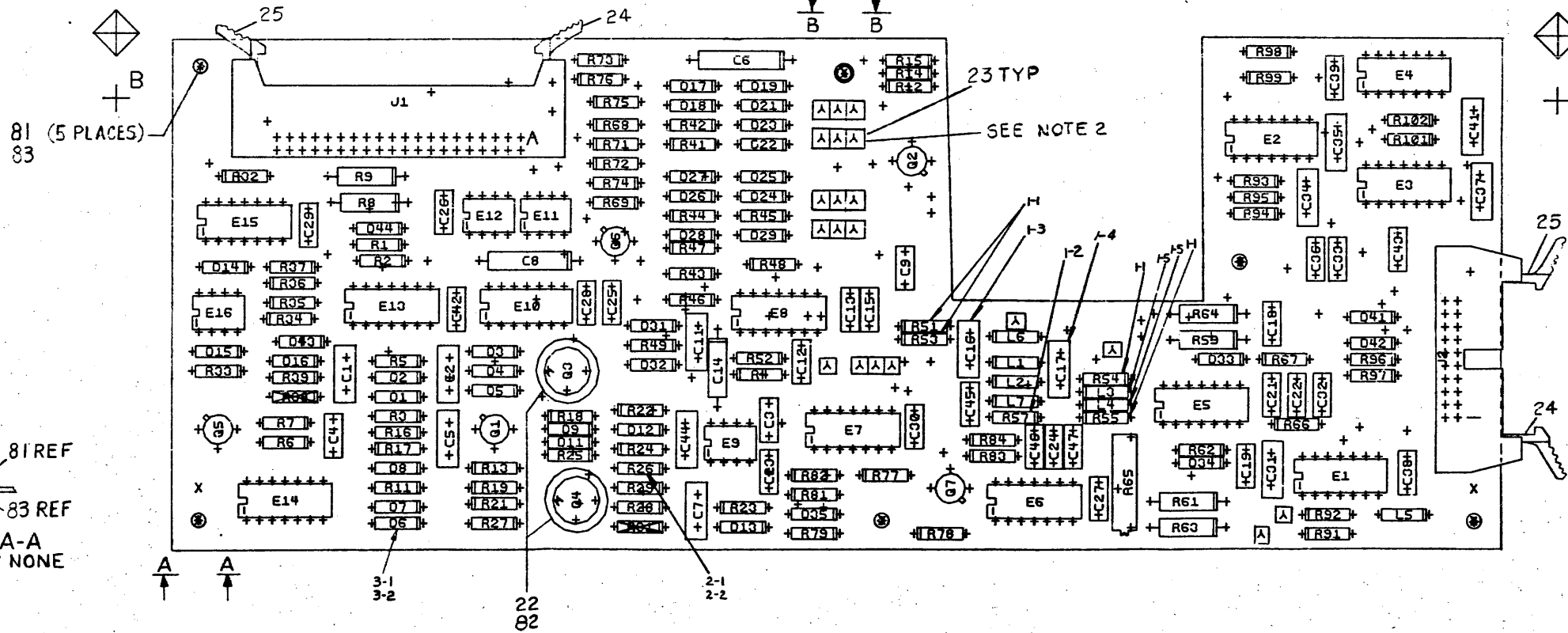
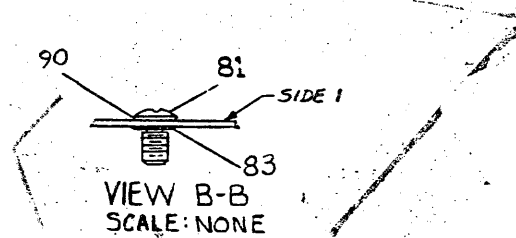
THIS DRAWING AND SPECIFICATIONS, HEREIN, ARE THE PROPERTY OF WESTERN ELECTRIC CORPORATION AND SHALL NOT BE REPRODUCED OR COPIED IN WHOLE OR IN PART AS THE BASIS FOR THE MANUFACTURE OR SALE OF ITEMS WITHOUT WRITTEN PERMISSION OF WESTERN ELECTRIC CORPORATION.

COMPONENT SIDE VIEW

REWORK INSTRUCTIONS

- ECO #1
- 1-1 CHANGE R51, R53, R54, AND R55 FROM B25 1% RESISTORS TO 90A 1/4 W 1% (P/N: 1302685-00)
 - 1-2 CHANGE R57 FROM 4.7K TO JUMPER (ZERO OHM RES) (P/N: 9009185-00)
 - 1-3 CHANGE C16 FROM 27PF CAP. TO 10PF CAP. (P/N: 1000006-00)
 - 1-4 CHANGE C17 FROM 18PF TO 27PF CAP. (P/N: 1001739-00)
 - 1-5 CHANGE Z3 AND L4 FROM 10UH CHOKES TO CHOKES TO 100 UH CHOKES. (1610662-00)

- ECO #2
- COMPONENT DELETES SIDE 1:
- 2-1: DELETE R26 (348Ω) (P/N#1304858)
- COMPONENT ADDS SIDE 1:
- 2-2 ADD R26 (325Ω) (P/N#1305143)
- ECO #3
- COMPONENT DELETES SIDE 1:
- 3-1. DELETE DIODE, ZENER 5.1V (P/N 1110994)
- COMPONENT ADDS SIDE 1:
- 3-2. ADD DIODE, ZENER 5.1V (P/N 1113953)



- NOTES:
1. B HOLES - 0.045 (+.000-.005) MAYNARD ONLY
 2. [Symbol] WIRE WRAP PINS MOUNTED FROM SIDE 1.
 3. DO NOT INSERT R31 & R38.

CHANGE NO.	REV.	DESCRIPTION
1	A	INITIAL DESIGN
2	B	REVISIONS
3	C	REVISIONS
4	D	REVISIONS
5	E	REVISIONS
6	F	REVISIONS
7	G	REVISIONS
8	H	REVISIONS
9	I	REVISIONS
10	J	REVISIONS

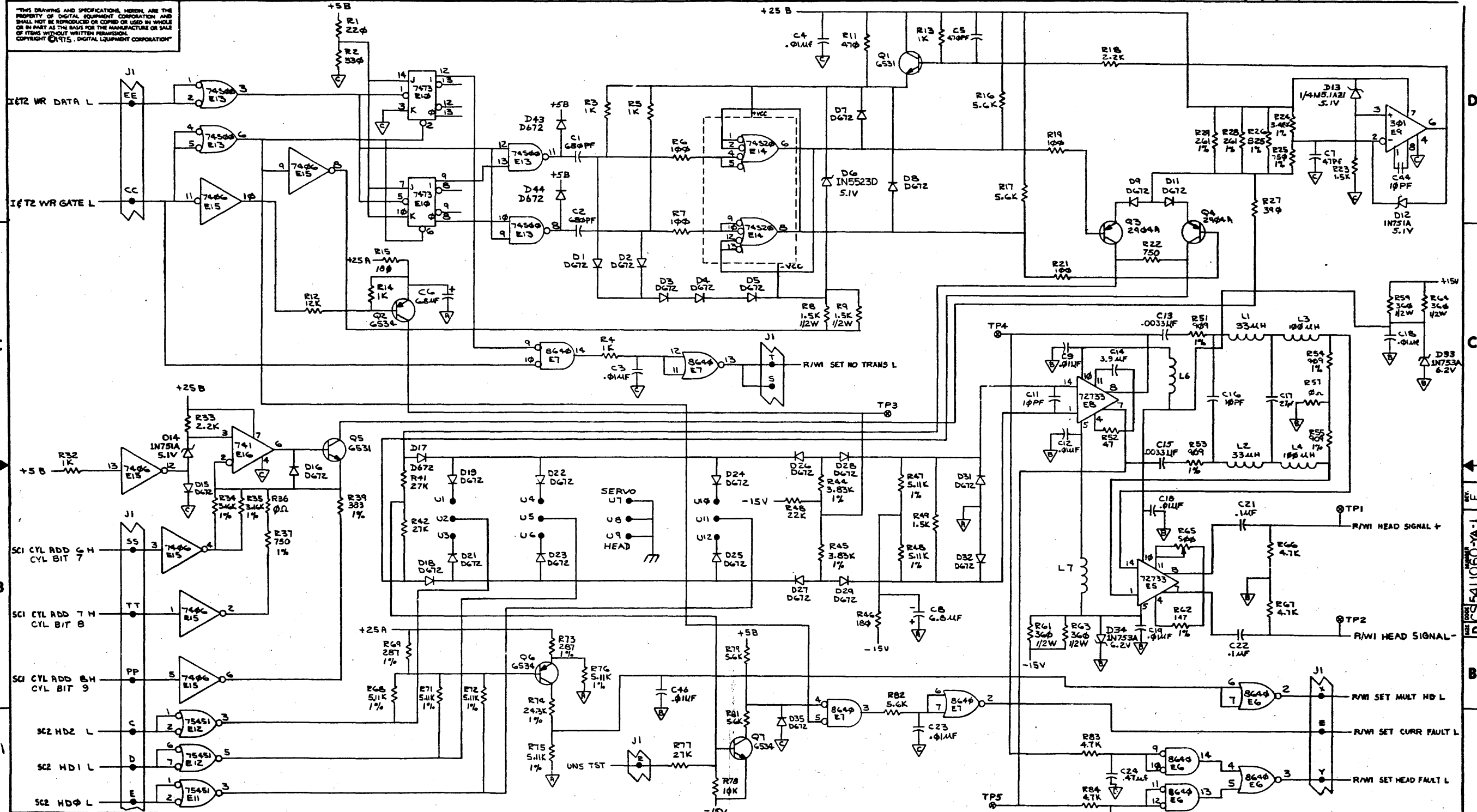
HOLE DATA	
SYMBOL	SIZE
+	0.42, 0.32, 1.40
×	
↑	
z	
m	
Δ	
D	
◇	
*	

BOARD FABRICATION INFORMATION	
PANEL SIZE	
PANEL DATA DWG. #	
PANEL MAT'L FL. #	1/1
DEC. PS - 1400000	
QTY. OF LAYERS	
PTH. PRINT AND ETCH	
SOLDER MASK	SIDE 2 BOTH SIDES
SELD. CONTACTS	BOTTOM TOP

SIGNATURES		DATE
DRN. J. B. ...		1/16/77
CHK'D. J. B. ...		1/16/77
ENG. J. B. ...		1/16/77
PROJ. ENG. J. B. ...		1/16/77
PROD. J. B. ...		1/16/77

digital	
TITLE	DRILL AND ETCH DRAWING
SCALE	1/1
SHT. 1 OF 3	
NEXT HIGHER ASSY.	B-DD-5411060-YA ETCH REV. E-P1

THIS DRAWING AND SPECIFICATIONS HEREIN ARE THE PROPERTY OF DIGITAL EQUIPMENT CORPORATION AND SHALL NOT BE REPRODUCED OR COMPILED OR USED IN WHOLE OR IN PART AS THE BASIS FOR THE MANUFACTURE OR SALE OF ITEMS WITHOUT WRITTEN PERMISSION. COPYRIGHT © 1975, DIGITAL EQUIPMENT CORPORATION



REV.	DATE	BY	CHK'D
1	10/10/75	J. ROLLINS	J. ROLLINS
2	11/10/75	J. ROLLINS	J. ROLLINS
3	12/10/75	J. ROLLINS	J. ROLLINS
4	1/10/76	J. ROLLINS	J. ROLLINS
5	2/10/76	J. ROLLINS	J. ROLLINS
6	3/10/76	J. ROLLINS	J. ROLLINS
7	4/10/76	J. ROLLINS	J. ROLLINS
8	5/10/76	J. ROLLINS	J. ROLLINS

DRN. 7. 0. 2	9-2-75	FIRST USED ON	RK07
CHK'D	12 FEB 76	TITLE	RK07
ENG.	11-2-75		READ/WRITE
PROJ. ENG.	11-2-75		
PROJ. MGR.	11-2-75		
NEXT HIGHER ASSY.			
D-UA-5411060-YA-0	SIZE CODE	NUMBER	REV.
SCALE	D CS 5411060-YA-1		E
SHEET	1 OF 2	DIST.	

ML

8

7

6

5

4

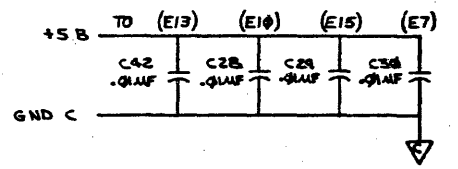
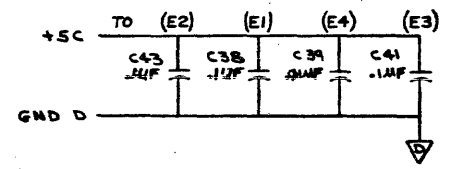
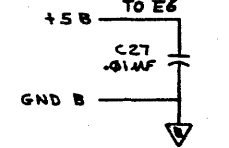
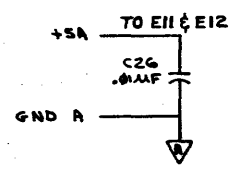
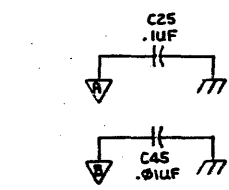
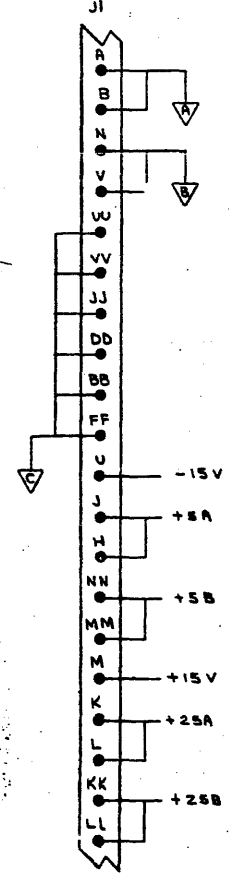
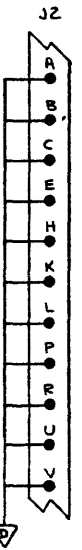
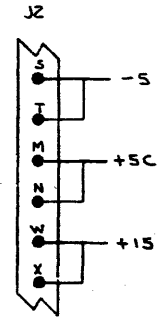
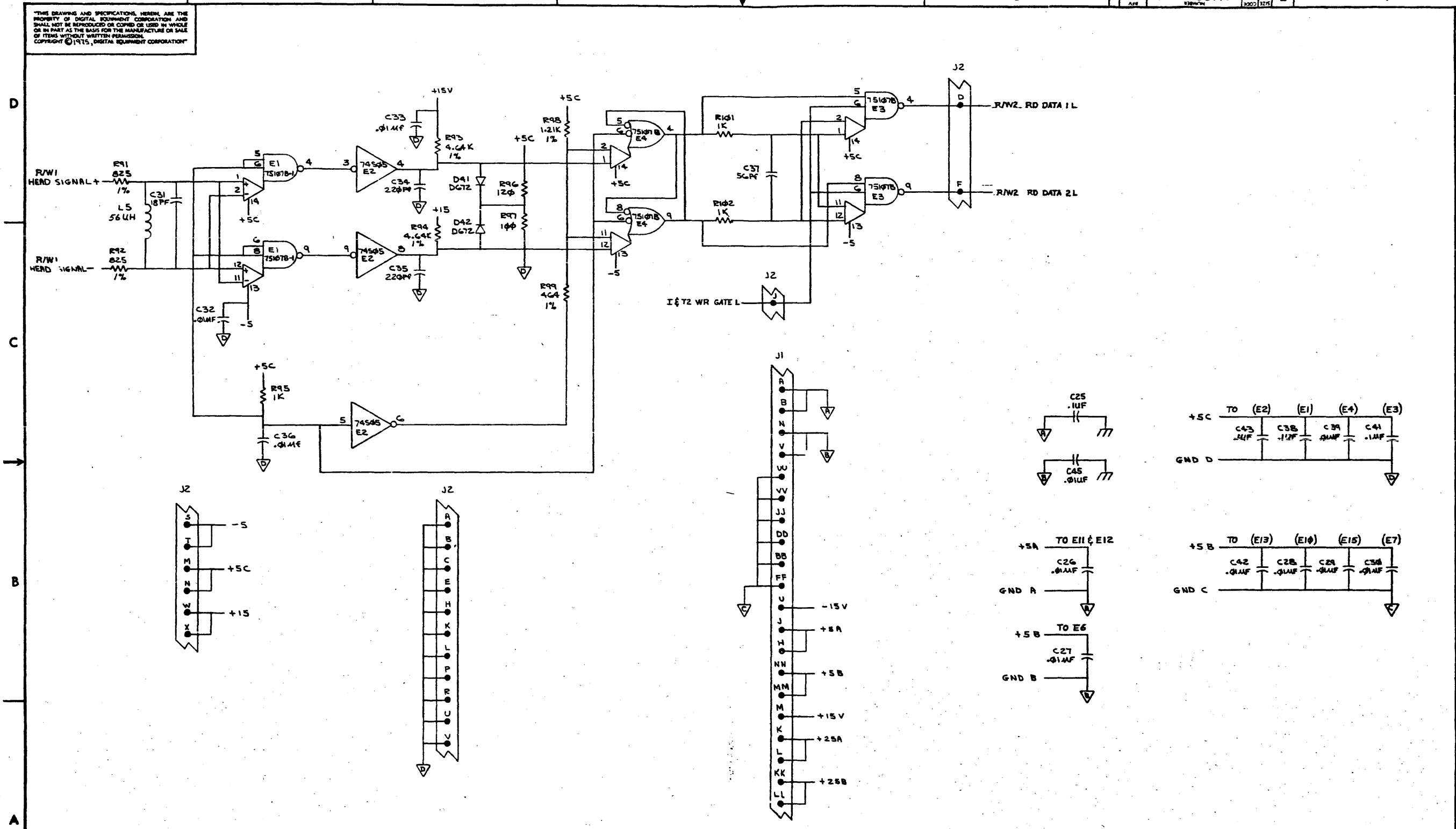
3

DCS5411060-YA-1

2

1

"THIS DRAWING AND SPECIFICATIONS HEREIN ARE THE PROPERTY OF DIGITAL EQUIPMENT CORPORATION AND SHALL NOT BE REPRODUCED OR COPIED OR USED IN WHOLE OR IN PART AS THE BASIS FOR THE MANUFACTURE OR SALE OF ITEMS WITHOUT WRITTEN PERMISSION. COPYRIGHT © 1975, DIGITAL EQUIPMENT CORPORATION"



REVISIONS		
CHK	CHANGE NO.	REV.

TITLE: RK07 READ/WRITE
 SIZE CODE: DCS5411060-YA-1
 NUMBER: 2 OF 2
 SCALE: 1:1
 DIST.:

REV. E DCS5411060-YA-1

1 m c

LINE ITEM	DOCUMENT NUMBER	PART NUMBER	DESCRIPTION	QTY PER VARIATION YA	REFERENCE DESIGNATOR
1	1	D-CS-5411060-YA-1	RK07 READ WRITE (C.S.)	REF	
2	2	D-UA-5411060-YA-0	UNIT ASSEMBLY	REF	
3	3	B-DD-5411060-YA-0	DWG DIRECTORY	REF	
4	4		54-11060	1	
5	5	5011059-00			
		1000006-00	10.0 MMF 100V 5%200PPM DM15S	3	C11,C44,C16
6	6	1000011-00	47.0 MMF 100V 5%200PPM DM15S	1	C7
7	7	1000012-00	56.0 MMF 100V 5%200PPM DM15S	1	C37
8	8	1000021-00	220.0 MMF 100V 5%200PPM DM15S	2	C34,C35
9	9	1000024-00	470.0 MMF 100V 5%200PPM DM15S	1	C5
10	10	1000026-00	680.0 MMF 100V 5%200PPM DM15S	2	C1,C2
11	11	1010978-36	.1 MFD 50V 10% 2C067 CER	6	C21,C22,C25,C41,C38,C43
12	12	1001739-00	27.0 MMF 100V 5%200PPM DM15S	1	C17
13	13	1002608-00	18.0 MMF 100V 5%200PPM DM15S	1	C31
14	14	1005306-00	6.8MFD 35V 10% S.TANT	2	C6,C8
15	15	1001610-01	.01 MFD 100V -20+80 Z5U DISC	19	C3,C4,C9,C12,C18,C19,C23, C26-C30,C32,C33,C36,C39,C42,(C46
16	16	1102421-00	1N 753A VZ= 6.2 5% .40W P	2	D33,D34
17	17	1110994-00	1N 751A VZ= 5.1 5% .40W	2	D12,D14
18	18	1105871-00	1/4M5.1AZ1 = 5.1 1% .25W N	1	D13
19	19	1105275-00	D 672 TR= 15NS PIV= 60V SI	30	D1-D5,D7,D8,D9,D11,D15-D19, D21-D29,D31,D32,D35,D41-D44
20	20	1209941-06	HEADER.100 20POS RT ANGLE	1	J2
21	21	1209941-02	HEADER 100 40POS RT ANGLE	1	J1
22	22	1210001-00	HEAT SINK BLACK	2	
23	23	1210385-01	PIN 1POS WIRE WRAP	20	
24	24	1209941-04	HEADER RT ANGLE,RIGHT	2	
25	25	1209941-03	HEADER RT ANGLE LEFT L	2	
26	26	9009185-00	JUMPER, WIRE, INSULATED, BLACK B	2	R36,R57
27	27	1300202-00	47 1/4W 5% CC	1	R52

REVISION HISTORY		BASIC PART NO: 5411060		DRN:	K.DAVIS	DATE:	03-APR-78	DIGIT A I			
ENG!	ECO NUMBER	REV	SECTION A OF A	CHK'D:	R.W.	DATE:	03-APR-78	TITLE PARTS LIST			
----	!00002	!B	SECTION.VARIATION INDEX	CHK'D:	R.W.	DATE:	03-APR-78	RK07 READ/WRITE			
!B.F!	!00003	!C	[A] YA								
!----	!00004	!D	[B]								
!MC	!5411060YA-ML005	!E	[C]	DES.ENG:	J.ROLLINS	DATE:	03-APR-78	DOCUMENT NUMBER			
			[D]								
			[E]	RESP.ENG.:	J.ROLLINS	DATE:	03-APR-78	SIZE!CODE! NUMBER ! REV			
			[F]								
			[H]								
			[J]								
			[K]	MFG.ENG.:	MC	DATE:	03-APR-78	K	PL	5411060-YA-DBP	E
			[L]								
			[M]	ASSEMBLY NUMBER:		TOP DOCUMENT NUMBER:		FILE NAME:		EDIT	
			[N]	D-UA-5411060-YA-0		RK07		Z1025E.PLS		1	

"THIS DRAWING AND SPECIFICATIONS HEREIN, ARE THE PROPERTY OF DIGITAL EQUIPMENT CORPORATION AND SHALL NOT BE REPRODUCED OR COPIED OR USED IN WHOLE OR IN PART AS THE BASIS FOR THE MANUFACTURE OR SALE OF ITEMS WITHOUT WRITTEN PERMISSION. COPYRIGHT (C) 1979. DIGITAL EQUIPMENT CORPORATION"

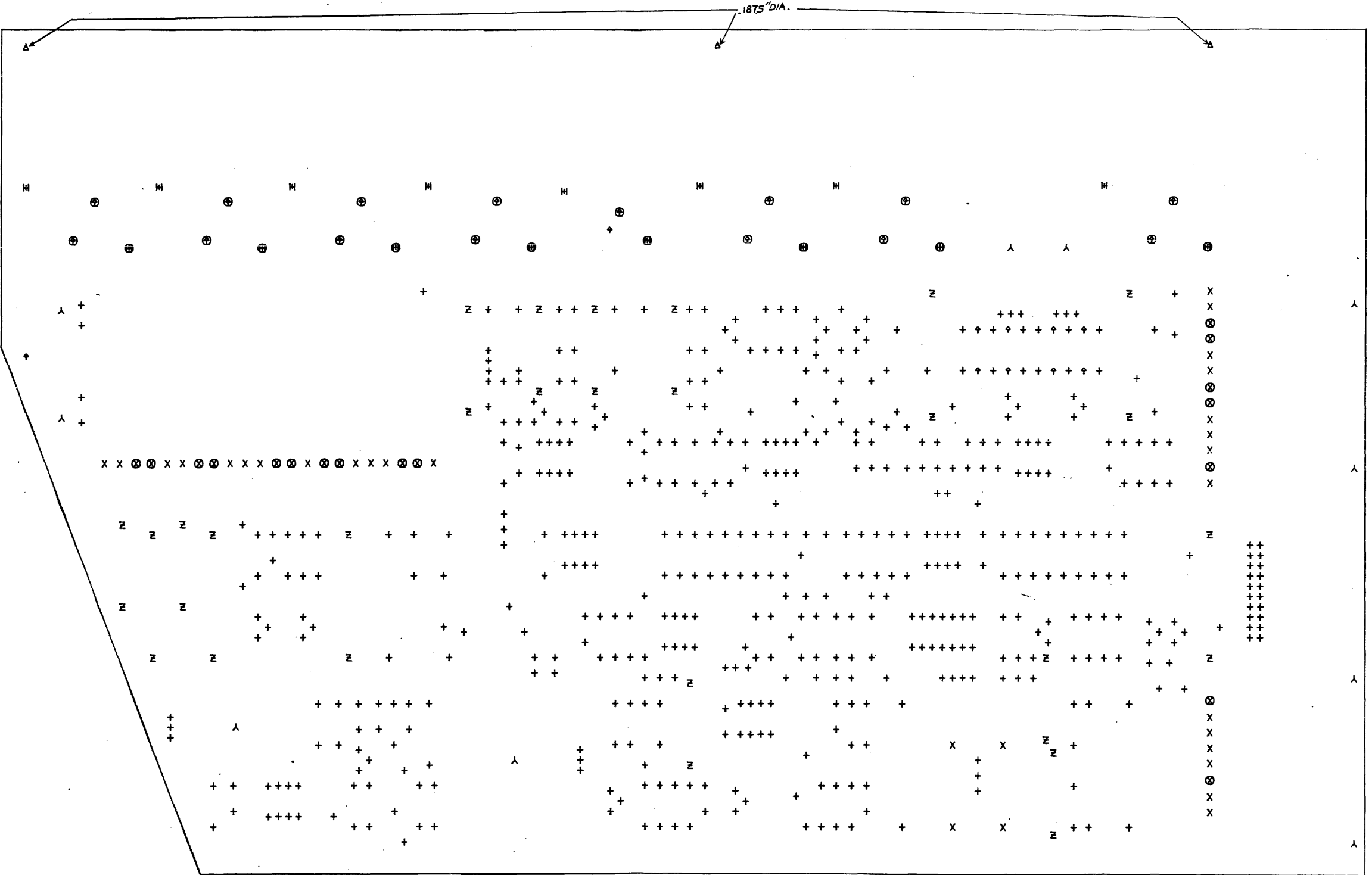
LINE ITEM	DOCUMENT NUMBER	PART NUMBER	DESCRIPTION	QTY	PER VARIATION	REFERENCE DESIGNATOR
				YA		
28	28	1300229-00	100 1/4W 5% CC	5		R6,R7,R19,R21,R97
29	29	1300247-00	120 1/4W 5% CC	1		R96
30	30	1300271-00	220 1/4W 5% CC	1		R1
31	31	1300295-00	330 1/4W 5% CC	1		R2
32	32	1300309-00	390 1/4W 5% CC	1		R27
33	33	1300316-00	470 1/4W 5% CC	1		R11
34	34	1300365-00	1 K 1/4W 5% CC	9	CONT	R3,R4,R5,R13,R14,R32,R95,R101, R102
35	35	1300391-00	1.5 K 1/4W 5% CC	2		R23,R49
36	36	1300394-00	1.5 K 1/2W 5% CC	2		R8,R9
37	37	1300417-00	2.2 K 1/4W 5% CC	2		R18,R33
38	38	1300447-00	4.7 K 1/4W 5% CC	4		R66,R67,R83,R84
39	39	1300479-00	10 K 1/4W 5% CC	1		R78
40	40	1300488-00	12 K 1/4W 5% CC	1		R12
41	41	1301322-00	180 1/4W 5% CC	2		R15,R46
42	42	1301808-00	22 K 1/4W 5% CC	1		R43
43	43	1301874-00	5.6 K 1/4W 5% CC	5		R16,R17,R79,R81,R82
44	44	1302383-00	360 1/2W 5% CC	4		R59,R61,R63,R64
45	45	1302871-00	1.21 K 1/4W 1% RN55D-F 100PPM	1		R98
46	46	1302873-00	261 1/4W 1% RN55D-F 100PPM	2		R28,R29
47	47	1302955-00	750 1/4W 1% RN55D-F 100PPM	2		R25,R37
48	48	1303045-00	3.16 K 1/4W 1% RN55D-F 100PPM	2		R34,R35
49	49	1303047-00	464 1/4W 1% RN55D-F 100PPM	1		R99
50	50	1304854-00	5.11 K 1/4W 1% RN55D-F 100PPM	7		R47,R48,R68,R71,R72,R75,R76
51	51	1304856-00	4.64 K 1/4W 1% RN55D-F 100PPM	2		R93,R94
52	52	1305114-00	3.48 K 1/4W 1% RN55D-F 100PPM	1		R24
53	53	1302874-00	147 1/4W 1% RN55D-F 100PPM	1		R62
54	54	1305124-00	287 1/4W 1% RN55D-F 100PPM	2		R69,R73
55	55	1305125-00	383 1/4W 1% RN55D-F 100PPM	1		R39
56	56	1305143-00	825 1/4W 1% RN55D-F 100PPM	3		R26,R91,R92
57	57	1305346-00	27 K 1/4W 5% CC	3		R41,R42,R77
58	58	1309143-06	500 3/4W10% POT 100PPM	1		R65
59	59	1309418-00	24.3 K 1/4W 1% RN55D-F 100PPM	1		R74
60	60	1309413-00	3.83 K 1/4W 1% RN55D-F 100PPM	2		R44,R45
61	61	1501913-00	2N 2904A PNP 600MW SI 60 40 Y	2		Q3,Q4
62	62	1503409-02	DEC6534C PNP 310MW SI 40 70 P	2		Q2,Q6
63	63	1509338-00	DEC6531B NPN 310MW SI 40 90 P	3		Q1,Q5,Q7
64	64	1610662-00	100.0 UH 10% 165MA #DD1 00	2		L3,L4
65	65	1612946-01	33 UH 10% 260MA	2		L1,L2
66	66	1610661-00	56 UH 10% #DD56	1		L5
67	67	1611257-01	CHOKE(CERAMIC BEAD)AXIAL LEAD,ON	2		L6,L7
68	68	1905587-00	DEC 7473 FF-JK DUAL,MASTER SL	1		E10
69	69	1910298-00	741 OP AMP GEN PURP. COM	1		E16
70	70	1910268-00	DEC 75107B RECEIVER,LINE,DUAL,	2		E3,E4
71	71	1910406-00	75451 DRIVER,PERIPH,DUAL,	2		E11,E12
72	72	1910532-00	74S00 NAND GATE-QUAD 2IN\$	1		E13
73	73	1910535-00	74S05 INVERTER GATE-HEX 1	1		E2
74	74	1910539-00	74S20 NAND GATE-DUAL 4INPU	1		E14

D	I	G	I	T	A	L	TITLE	SECTION A	OF A	SIZE	CODE	DOCUMENT NUMBER	REV
							RK07 READ/WRITE					5411060-YA-DBP	E

LINE ITEM	DOCUMENT NUMBER	PART NUMBER	DESCRIPTION	QTY PER VARIATION YA	REFERENCE DESIGNATOR
75		1910644-00	733 DIFFERENTIAL AMP,WID	2	E5,E8
76		1910741-01	7406N BUFFER,HEX	1	E15
77		1911469-00	DEC 8640 RECEIVER,BUS,QUAD,U	2	E6,E7
78		1910282-00	301AN OP AMP	1	E9
79		1910268-01	DEC 75107B-01 RECEIVER,LINE,DUA	1	E1
80		1301401-00	750 1/4W 5% CC	1	R22
81		7415620-01	SCREW CAPTIVE	6	
82		9007201-00	TRANSIPADS #10253	2	
83		9009271-00	RING, RETAINING, REINFORCED, FIT	6	
84		1000064-00	3.9MFD 10V 10% 150D S.TA	1	C14
85		1011740-01	3300.0 MMF 50V 10% CW15C CER.	2	C13,C15
86	B-DD-7012623-0-0		TESTER DOCUMENTS (PROTO)	REF	
87	B-DD-7012784-0-0		TESTER DOCUMENTS (PRODUCTION)	REF	
88		1010279-00	.47 MFD 25V 20% 2C023 CER.	2	C24,C47
89	B-MD-7417415-0-0	9006010-01	*** THIS ITEM IS NOT USED ***	-	
90		9006632-00	WASHER,LOCK,INT,.2600D X .120ID	1	
91		1302685-00	909 1/4W 1% RN55D-F 100PPM	4	R51,R53,R54,R55
92		1113953-00	1N 5523D VZ= 5.1 1%	1	D6

D	I	G	I	T	A	L	TITLE	SECTION A OF A	SIZE	CODE	DOCUMENT NUMBER	REV
							RK07 READ/WRITE		K	PL	5411060-YA-DBP	E

THIS DRAWING AND SPECIFICATIONS, HEREIN, ARE THE PROPERTY OF ANTECH ELECTRONIC CORPORATION AND SHALL NOT BE REPRODUCED OR COPIED IN WHOLE OR IN PART OR FOR ANY PURPOSE WITHOUT THE WRITTEN PERMISSION OF ANTECH ELECTRONIC CORPORATION
 DRAWING NO. 1478 ANTECH ELECTRONIC CORPORATION



1.	8 HOLES .0745 (+.000-.005) MAYNARD ONLY

CHK CHANGE NO	REV	DATE	BY	APP

HOLE DATA										
SYMBOL	+	λ	X	†	Z	W	Δ	□	◇	*
FIN HOLE SIZE	.042	.128	.073	.067	.055	.158	.187			
PLATED										
NON PLATED										
QTY.	525	10	47	25	30	16	3			16
○-OFF GRD HLE			17	15		8				
DRILL SIZE										
.0025 GRID UNLESS INDICATED										

BOARD FABRICATION INFORMATION	
PANEL SIZE	8.5 X 17.00
PANEL DATA DWG.	#E-MD-7606032-0-0
PANEL MAT'L	FL-EP-052-C 2/1
DEC PS	- 1400000
PTH. OF LAYERS	2
PTH. ✓	PRINT AND ETCH
SOLDER MASK	SIDE 2 BOTH SIDES
GOLD CONTACTS	N BOTTOM TOP

SIGNATURES		DATE
DRN.	D. Dingledine	6-6-78
CHK'D.	M. Castellanos	6/12/78
ENG.	M. Castellanos	6/12/78
PROJ. ENG.	M. Castellanos	6/12/78
PROD.	M. Castellanos	6/12/78
SCALE	1 OF 3	
SHT.	1 OF 3	
NEXT HIGHER ASSY.		

digital

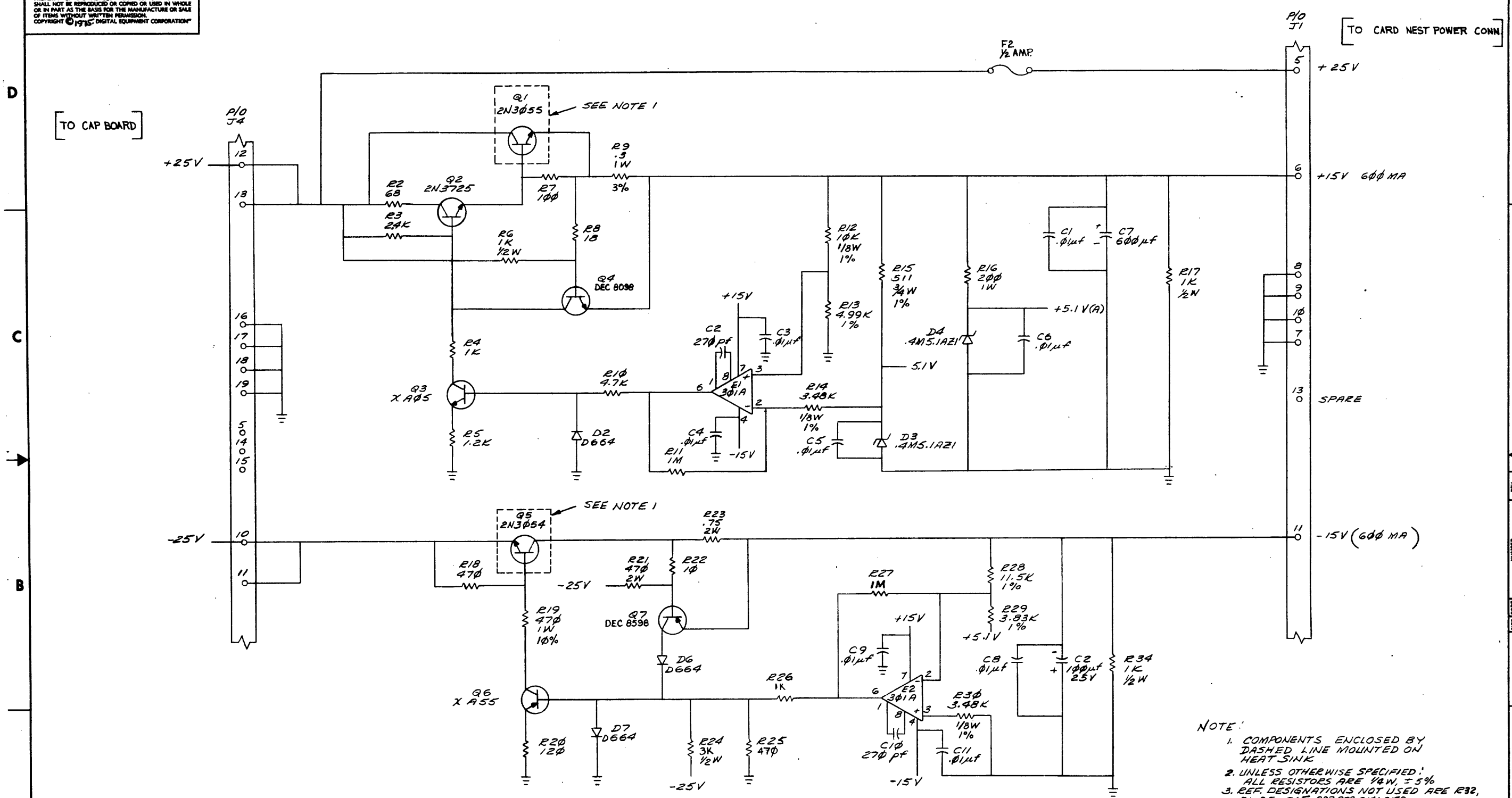
TITLE DRILL AND ETCH DRAWING

SIZE CODE NUMBER REV
 D AH 5401142-0-5 P
 ETCH REV. P-P

D/AH 5401142-0-5 P

THIS DRAWING AND SPECIFICATIONS, HEREIN, ARE THE PROPERTY OF DIGITAL EQUIPMENT CORPORATION AND SHALL NOT BE REPRODUCED OR COPIED OR USED IN WHOLE OR IN PART AS THE BASIS FOR THE MANUFACTURE OR SALE OF ITEMS WITHOUT WRITTEN PERMISSION. COPYRIGHT © 1975, DIGITAL EQUIPMENT CORPORATION

D CS 5411042-0-1 P 2

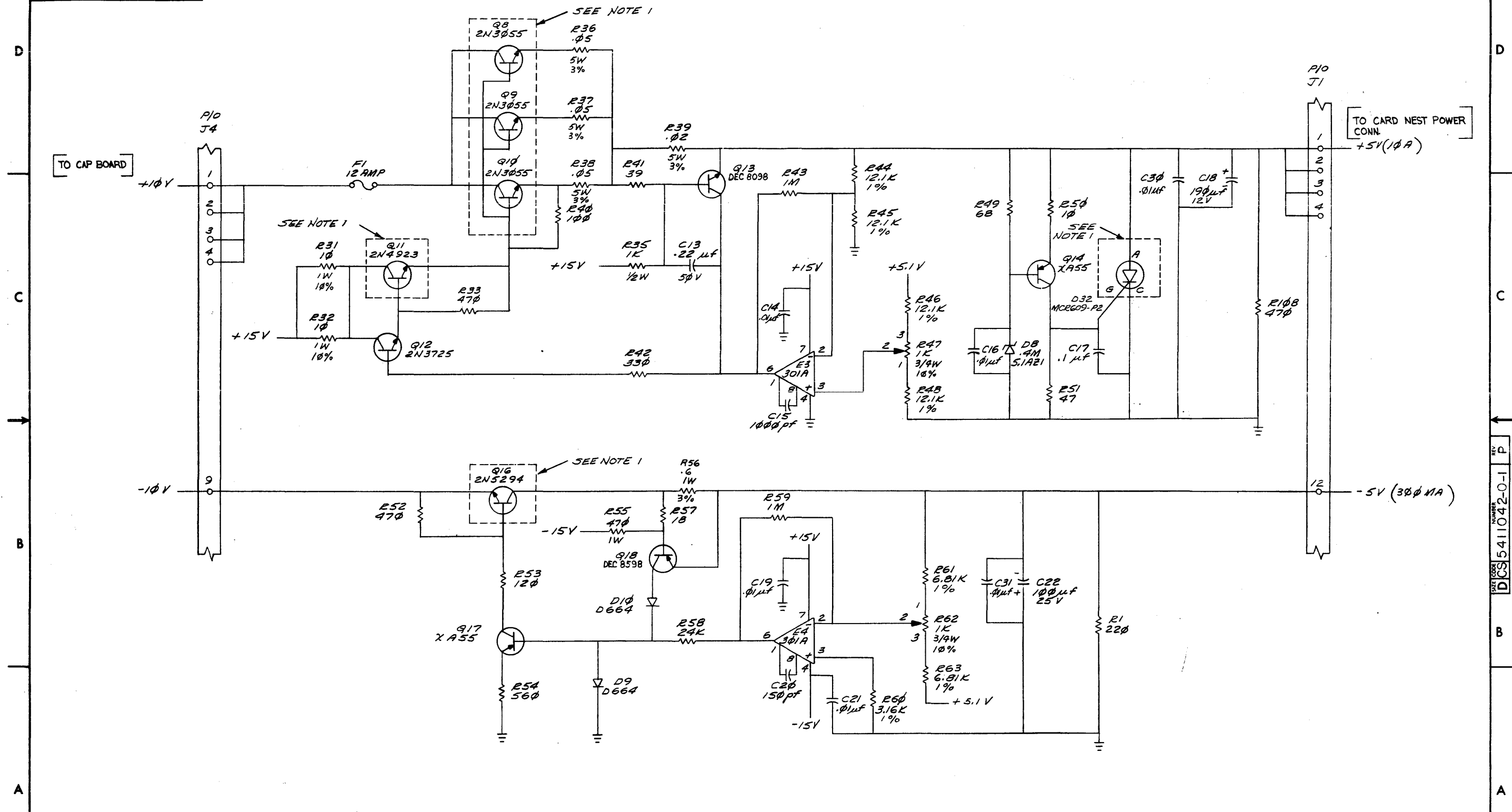


NOTE:
 1. COMPONENTS ENCLOSED BY DASHED LINE MOUNTED ON HEAT-SINK
 2. UNLESS OTHERWISE SPECIFIED: ALL RESISTORS ARE 1/4W, ±5%
 3. REF. DESIGNATIONS NOT USED ARE R32, D1, D5, Q15, R97, R98, R101, R102

REV.	DATE	BY	CHK'D
1	11-20-74	J. DREW	
2	12-11-74	J. DREW	
3	1-15-75	J. DREW	
4	2-18-75	J. DREW	
5	3-11-75	J. DREW	
6	4-15-75	J. DREW	
7	5-15-75	J. DREW	
8	6-15-75	J. DREW	
9	7-15-75	J. DREW	
10	8-15-75	J. DREW	
11	9-15-75	J. DREW	
12	10-15-75	J. DREW	
13	11-15-75	J. DREW	
14	12-15-75	J. DREW	
15	1-15-76	J. DREW	
16	2-15-76	J. DREW	
17	3-15-76	J. DREW	
18	4-15-76	J. DREW	
19	5-15-76	J. DREW	
20	6-15-76	J. DREW	
21	7-15-76	J. DREW	
22	8-15-76	J. DREW	
23	9-15-76	J. DREW	
24	10-15-76	J. DREW	
25	11-15-76	J. DREW	
26	12-15-76	J. DREW	
27	1-15-77	J. DREW	
28	2-15-77	J. DREW	
29	3-15-77	J. DREW	
30	4-15-77	J. DREW	
31	5-15-77	J. DREW	
32	6-15-77	J. DREW	
33	7-15-77	J. DREW	
34	8-15-77	J. DREW	
35	9-15-77	J. DREW	
36	10-15-77	J. DREW	
37	11-15-77	J. DREW	
38	12-15-77	J. DREW	
39	1-15-78	J. DREW	
40	2-15-78	J. DREW	
41	3-15-78	J. DREW	
42	4-15-78	J. DREW	
43	5-15-78	J. DREW	
44	6-15-78	J. DREW	
45	7-15-78	J. DREW	
46	8-15-78	J. DREW	
47	9-15-78	J. DREW	
48	10-15-78	J. DREW	
49	11-15-78	J. DREW	
50	12-15-78	J. DREW	

ETCH BOARD		F
DRN P METZGER	9/3/75	FIRST USED ON
CHK'D	1/3/75	RK06
ENG. J. DREW	1/15/75	TITLE
PROD. ENG. J. DREW	1/15/75	H 767
PROD. ENGR. J. DREW	1/15/75	POWER SUPPLY
NEXT HIGHER ASSY.		(PSI)
D-UA-5411042-00	SIZE CODE	NUMBER
SCALE	D CS	5411042-0-1
SHEET 1 OF 4	DIST.	REV. P

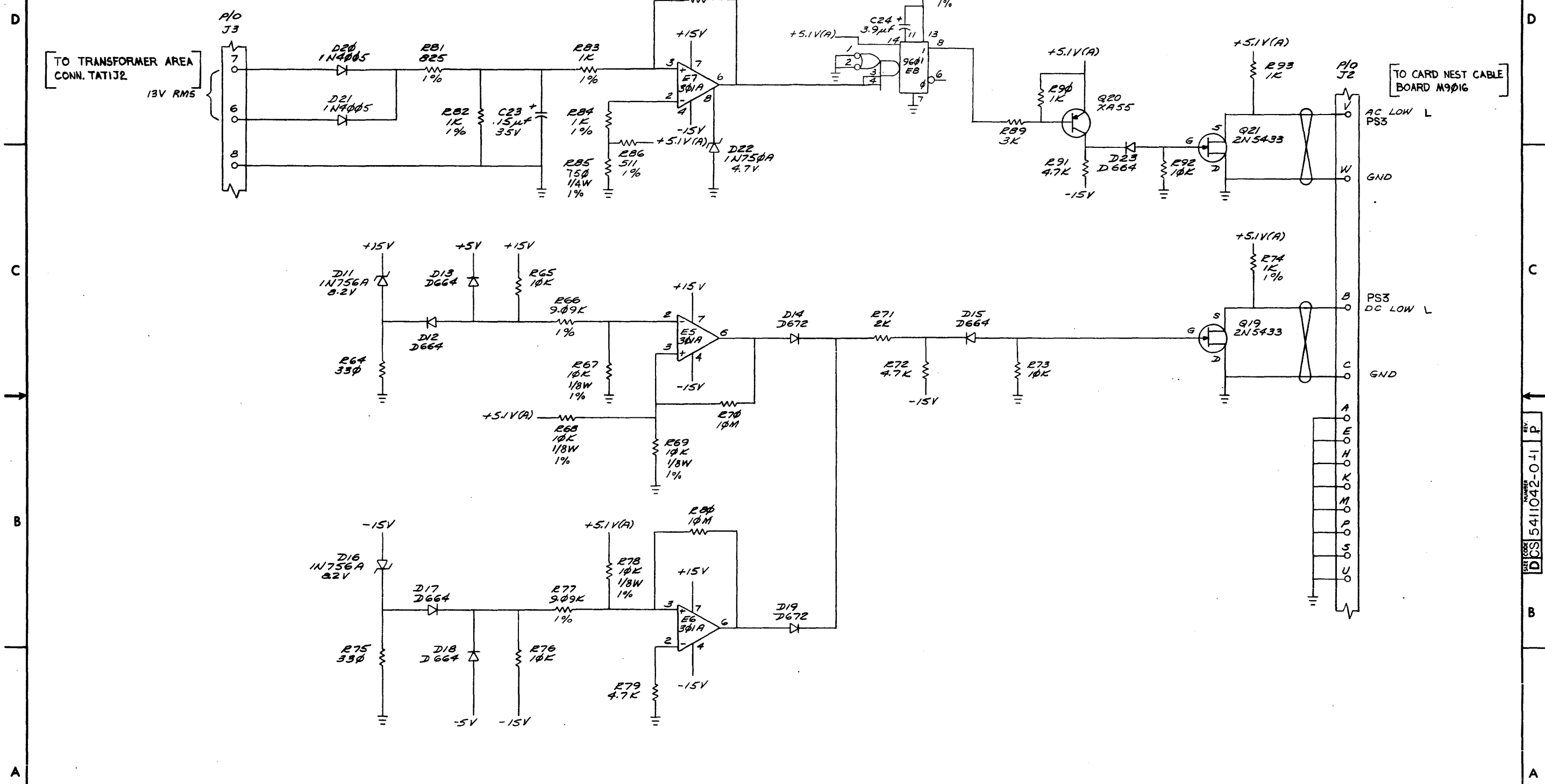
"THIS DRAWING AND SPECIFICATIONS HEREIN ARE THE PROPERTY OF DIGITAL EQUIPMENT CORPORATION AND SHALL NOT BE REPRODUCED OR COPIED OR USED IN WHOLE OR IN PART AS THE BASIS FOR THE MANUFACTURE OR SALE OF ITEMS WITHOUT WRITTEN PERMISSION. COPYRIGHT © 1975 DIGITAL EQUIPMENT CORPORATION"



REVISIONS		
CHK	CHANGE NO.	REV.

THIS DRAWING AND SPECIFICATIONS, HEREIN, ARE THE PROPERTY OF DIGITAL EQUIPMENT CORPORATION AND SHALL NOT BE REPRODUCED OR COPIED OR USED IN WHOLE OR IN PART AS THE BASIS FOR THE MANUFACTURE OR SALE OF ITEMS WITHOUT WRITTEN PERMISSION. COPYRIGHT © 1975 DIGITAL EQUIPMENT CORPORATION

DCS 5411042-0-1

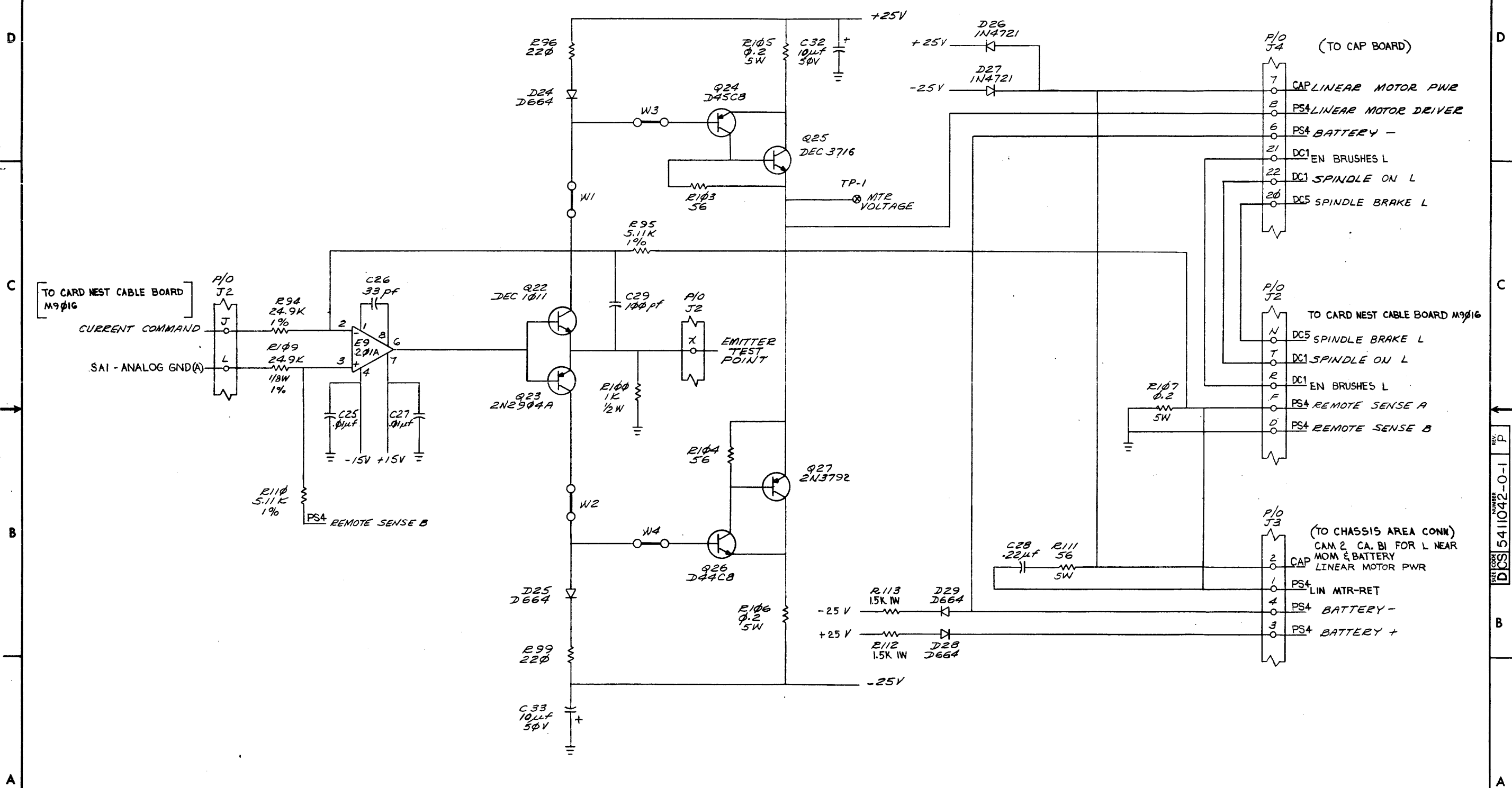


REVISIONS		
CHK	CHANGE NO.	REV.

TITLE: H767 POWER SUPPLY (PS3)
 NUMBER: DCS 5411042-0-1
 SHEET 3 OF 4
 REV. R

DCS 5411042-0-1 P

"THE DRAWING AND SPECIFICATIONS HEREIN ARE THE PROPERTY OF DIGITAL EQUIPMENT CORPORATION AND SHALL NOT BE REPRODUCED OR COPIED OR USED IN WHOLE OR IN PART AS THE BASIS FOR THE MANUFACTURE OR SALE OF ITEMS WITHOUT WRITTEN PERMISSION. COPYRIGHT © 1975 DIGITAL EQUIPMENT CORPORATION"



REVISIONS		
CHK	CHANGE NO.	REV.

LINE	ITEM	DOCUMENT NUMBER	PART NUMBER	DESCRIPTION	QTY	REFERENCE DESIGNATOR
1	1	D-C8-5411042-0-1		H767 POWER SUPPLY		REF
2	2	D-AH-5411042-0-5		ASSY/DRILLING HOLE LAYOUT		REF
3	3	R-MH-5411042-0-6		MODULE ECO HISTORY		REF
4	4		5011041-00	54-11042		REF
5	5		1310876-03	.05 5W 3%	3	R36-R38
6	6		1312683-00	.3 1W 3%	1	R9
7	7		1311467-00	.75 2W 5%	1	R23
8	8		1312684-00	.6 1W 3%	1	R56
9	9		1301317-00	10 1/4W 5%	2	R50,R22
10	10		1300171-00	10 1W 5%	2	R31,R32
11	11		1300202-00	47 1/4W 5%	1	R51
12	12		1300219-00	68 1/4W 5%	2	R2,R49
13	13		1300229-00	100 1/4W 5%	2	R7,R40
14	14		1305143-00	825 1/4W 1% RN55D-F 100PPM	1	R81
15	15		1300316-00	*** THIS ITEM IS NOT USED ***	-	
16	16		1302382-00	200 1W 5%	1	R16
17	17		1300271-00	220 1/4W 5%	3	R1,R96,R99
18	18		1300295-00	330 1/4W 5%	3	R42,R64,R75
19	19		1300316-00	470 1/4W 5%	5	R18,R33,R52,P100,R25
20	20		1300319-00	470 1W 5%	1	R19
21	21		1302411-00	511 1/4W 1% RN55D-F 100PPM	1	R86
22	22		1300324-00	511 3/4W 1% RN65D-F 100PPM	1	R15
23	23		1302685-00	909 1/4W 1% RN55D-F 100PPM	1	R85
24	24		1300365-00	1 K 1/4W 5%	4	R4,R90,P93,R26
25	25		1303114-00	1.0 K 1/4W 1% RN55D-F 100PPM	4	R74,R82,R83,R84
26	26		1309143-07	1 K 3/4W 10% POT 100PPM	2	R47,R62
27	27		1301320-00	1.2 K 1/4W 5%	1	R5
28	28		1300364-00	1 K 1/2W 5%	5	R35,R6,R17,P34,R100
29	29		1302388-00	2 K 1/4W 5%	1	R71
30	30		1303062-00	470 2W 5%	1	R21

REVISION HISTORY		SECTION 1 OF 1	RESP. ENG.: J. DREW	DATE: 17-JUL-78	D I G I T A L
ENG	ECO NUMBER	REV	MADE BY: L. METZGER	DATE: 17-JUL-78	TITLE PARTS LIST
WE	100010	N	CHECKED: H. DAMAKJIAN	DATE: 17-JUL-78	H767 POWER SUPPLY
M.C.	5411042-ML012	P	DSN. ENG.: J. DREW	DATE: 17-JUL-78	SIZE: CODE: DOCUMENT NUMBER: REV
		1.00	PROD.: C. POWELL	DATE: 17-JUL-78	K PL 5411042-0-DBP P
		2.	ASSEMBLY NUMBER: D-UA-5411042-0-0		PART NUMBER: 5411042 EDIT # 6
		3.	THIS DRAWING AND SPECIFICATIONS HEREIN, ARE THE PROPERTY OF DIGITAL EQUIPMENT CORPORATION AND SHALL NOT BE REPRODUCED OR COPIED OR USED IN WHOLE OR IN PART AS THE BASIS FOR THE MANUFACTURE OR SALE OF ITEMS WITHOUT WRITTEN PERMISSION.		
		4.	COPYRIGHT 1978, DIGITAL EQUIPMENT CORPORATION		
		5.			
		6.			
		7.			
		8.			
		9.			
		10.			
		11.			
		12.			

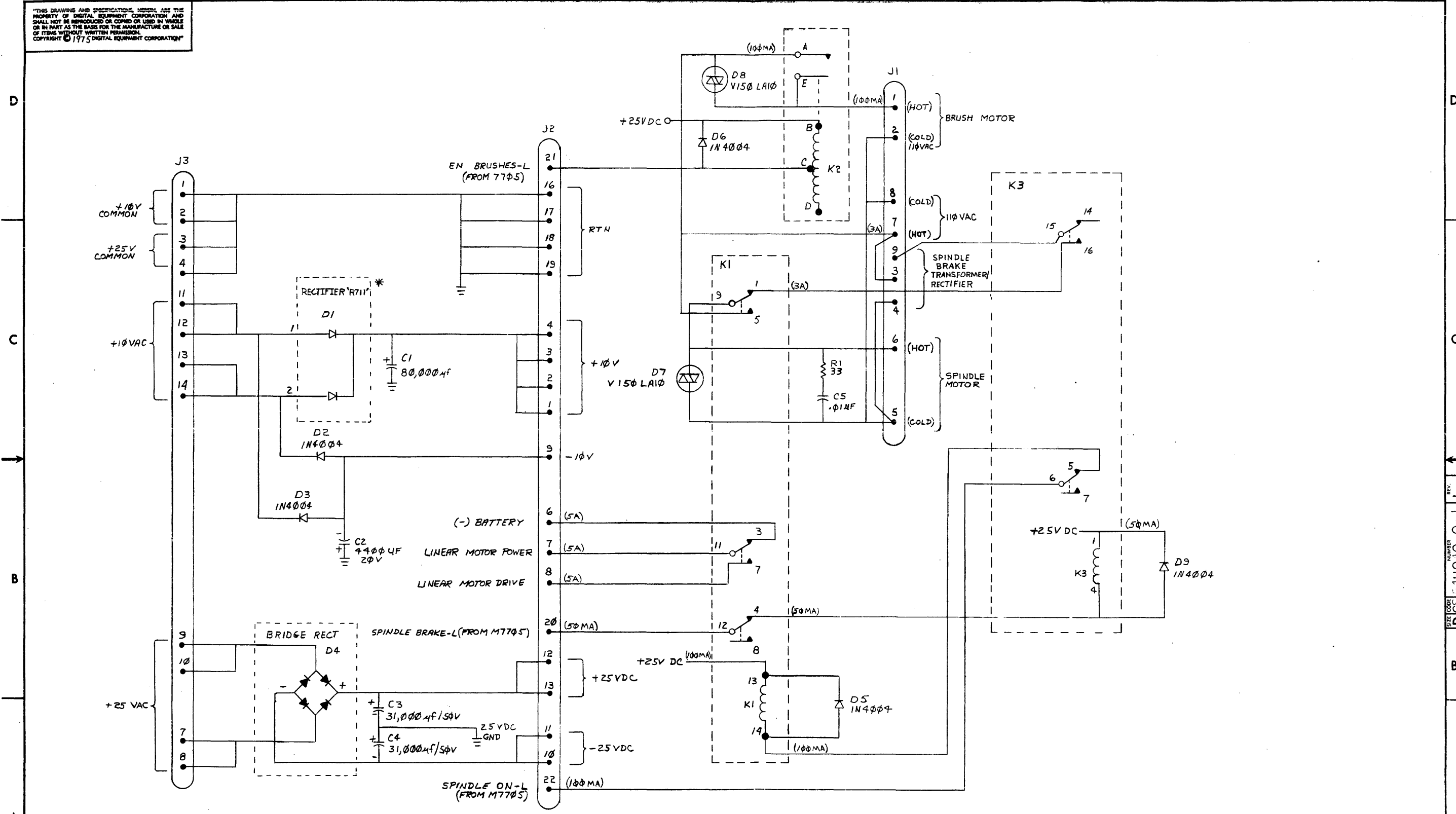
LINE	ITEM	DOCUMENT NUMBER	PART NUMBER	DESCRIPTION	QTY	REFERENCE DESIGNATOR
31	31		1300432-00	3 K 1/4W 5% CC	1	R89
32	32		1305114-00	3.48 K 1/4W 1% RN55D-F 100PPM	2	R14,R30
33	33		1309413-00	3.83 K 1/4W 1% RN55D-F 100PPM	1	R29
34	34		1303045-00	3.16 K 1/4W 1% RN55D-F 100PPM	1	R50
35	35		1300447-00	4.7 K 1/4W 5% CC	4	R10,R72,R79,R91
36	36		1305324-00	4.99 K 1/4W 1% RN55D-F 100PPM	1	R13
37	37		1304870-00	6.81 K 1/4W 1% RN55D-F 100PPM	2	R61,R63
38	38		1304855-00	9.09 K 1/4W 1% RN55D-F 100PPM	2	R66,R77
39	39		1300479-00	10 K 1/4W 5% CC	4	R65,R73,R76,R92
40	40		1303312-00	10.0 K 1/4W 1% RN55D-F 100PPM	5	R12,R67,R68,R69,R78
41	41		1309415-00	11.5 K 1/4W 1% RN55D-F 100PPM	1	R28
42	42		1303313-00	12.1 K 1/4W 1% RN55D-F 100PPM	5	R44,R45,R46,R48,R88
43	43		1304837-00	24 K 1/4W 5% CC	1	R58
44	44		1302177-00	47 K 1/4W 5% CC	1	R87
45	45		1311337-00	56 5W 5% MW	1	R111
46	46		1304854-00	5.11 K 1/4W 1% RN55D-F 100PPM	2	R95,R110
47	47		1305405-00	24.9 K 1/4W 1% RN55D-F 100PPM	2	R94,R109
48	48		1300319-00	*** THIS ITEM IS NOT USED ***	-	
49	49		1309884-00	.2 5W 5% MW	3	R105-P107
50	50		1302602-00	56 1/4W 5% CC	2	R103,R104
51	51		1300395-00	1.5 K 1W 10% CC	2	R112,R113
52	52		1303177-00	2.4 K 1/4W 5% CC	1	R3
53	53		1309595-00	1 M 1/4W 5% CC	4	R11,R43,R59,F27
54	54		1302666-00	10 M 1/4W 5% CC	2	R70,R80
55	55		1310876-00	.02 5W 3% MW	1	R39
56	56		1302377-00	39 1/4W 5% CC	1	R41
57	57		1300247-00	120 1/4W 5% CC	2	R20,R53
58	58		1300431-00	3 K 1/2W 5% CC	1	R24
59	59		1300309-00	*** THIS ITEM IS NOT USED ***	-	
60	60		1301890-00	560 1/4W 5% CC	1	R54
61	61		1302124-00	18 1/4W 5% CC	2	R57,R8
62	62		1300319-00	470 1W 5% CC	1	R55
63	63		1000042-00	1000.0 MMF 100V 5%200PPM DM158	1	C15
64	64		1000022-00	270.0 MMF 100V 5%200PPM DM158	2	C10,C2
65	65		1001610-01	.01 MFD 100V -20+80 25U DISC	16	C1,C3,C4,C5,C6,C8,C9,C11,C14,C16,C19,C21, CONT C25,C27,C30,C31
66	66		1000064-00	3.0MFD 10V 10% 150D S.TA	1	C74
67	67		1002781-00	100 MFD 25V G% 30D AL EL	2	C12,C22
68	68		1010274-00	.22 MFD 50V -20+80 25U CER	1	C13
69	69		1009433-00	190 MFD 12V G% 30D AL FL	1	C18
70	70		1011849-01	600. MFD 25V G%500D AL FL	1	C7
71	71		1000019-00	150.0 MMF 100V 5%200PPM DM158	1	C20
72	72		1002180-00	.15 MFD 35V 20% 150D S.TA	1	C23
73	73		1000037-00	.22 MFD 100V 10% 663F MYLR	1	C28
74	74		1000009-00	33.0 MMF 100V 5%200PPM DM158	1	C26
75	75		1000016-00	100.0 MMF 100V 5%200PPM DM158	1	C29
76	76		1000070-00	10 MFD 50V H% 43D AL FL	2	C32,C33
77	77		1109465-00	MCR 649P2SCR 50V I=20A T041	1	D32

D	I	G	I	T	A	L	TITLE	SECTION	1	OF	1	SIZE	CODE	DOCUMENT NUMBER	REV
							H767 POWER SUPPLY							K PL 5411042-0-DRP	P

LINE	ITEM	DOCUMENT NUMBER	PART NUMBER	DESCRIPTION	QTY	REFERENCE DESIGNATOR
125	125		9008033-01	SCREW,PAN ,PHIL, 4-40X 9/16	2	
126	126		9009769-00	WASHER, RECTANGULAR .405X.225X.0	3	
127	127		1010978-36	.1 MFD 50V 10% 2C067 CER	1	C17
128	128		1209159-00	FUSE, SUB-MINI, .500A, 125V, A	1	F2
129	129		9107278-11	*** THIS ITEM IS NOT USED ***	-	
130	130		1512212-00	DEC8098 NPN 350MW SI 60 50	2	Q4,Q13
131	131		1512211-00	DEC8598 PNP 350MW SI 60 50	2	Q7,Q18
132	132		9107688-22	*** THIS ITEM IS NOT USED ***	-	
133	133		9006708-00	WASHER, NYLON, FLAT #8 .375 OD	3	
134	134		1911143-00	DEC 201A OP AMP	1	E9

D I G I T A L				TITLE	SECTION 1 OF 1		SIZE	CODE	DOCUMENT NUMBER	REV
				H767 POWER SUPPLY			K	PL	5411042-0-DRP	P

THIS DRAWING AND SPECIFICATIONS HEREIN ARE THE PROPERTY OF DIGITAL EQUIPMENT CORPORATION AND SHALL NOT BE REPRODUCED OR COPIED OR USED IN WHOLE OR IN PART AS THE BASIS FOR THE MANUFACTURE OR SALE OF ITEMS WITHOUT WRITTEN PERMISSION. COPYRIGHT © 1975 DIGITAL EQUIPMENT CORPORATION

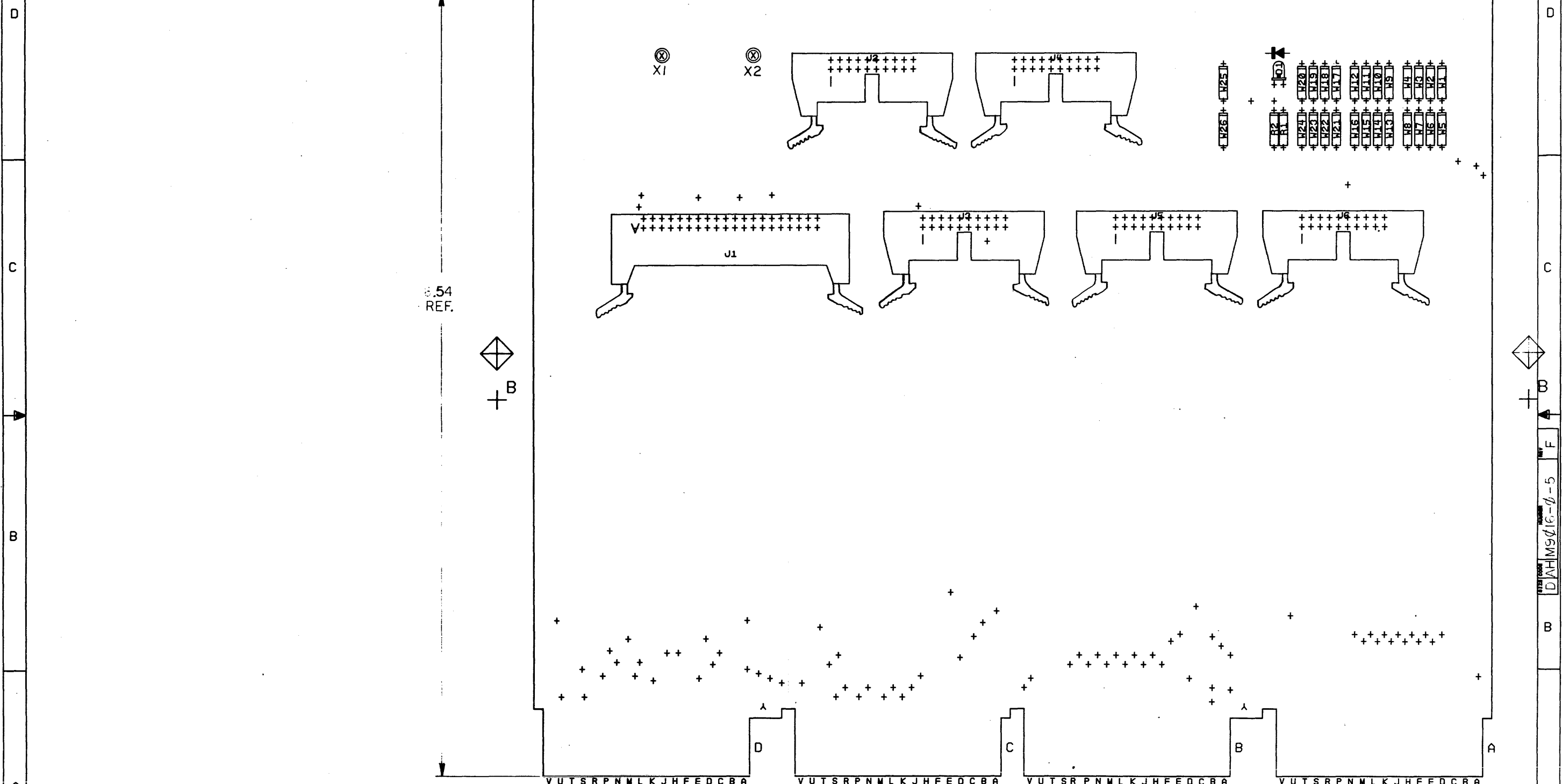
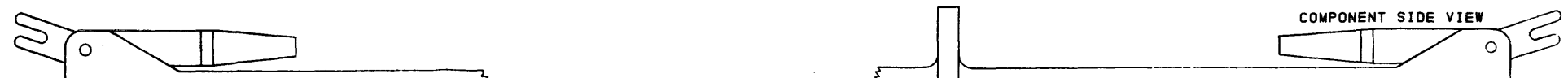


* COMPONENT IS MOUNTED ON HEAT SINK.

REVISIONS		
CHK	CHANGE NO.	REV.

THIS DRAWING AND SPECIFICATIONS, HEREON, AND THE PROPERTY OF DIGITAL EQUIPMENT CORPORATION AND SHALL NOT BE REPRODUCED OR COPIED IN WHOLE OR IN PART AS THE BASIS FOR THE MANUFACTURE OR SALE OF ITEMS WITHOUT WRITTEN PERMISSION. COPYRIGHT © 1977 DIGITAL EQUIPMENT CORPORATION

COMPONENT SIDE VIEW



NOTES:
 1. B HOLES .0765 (+.000-.004) MAYNARD ONLY

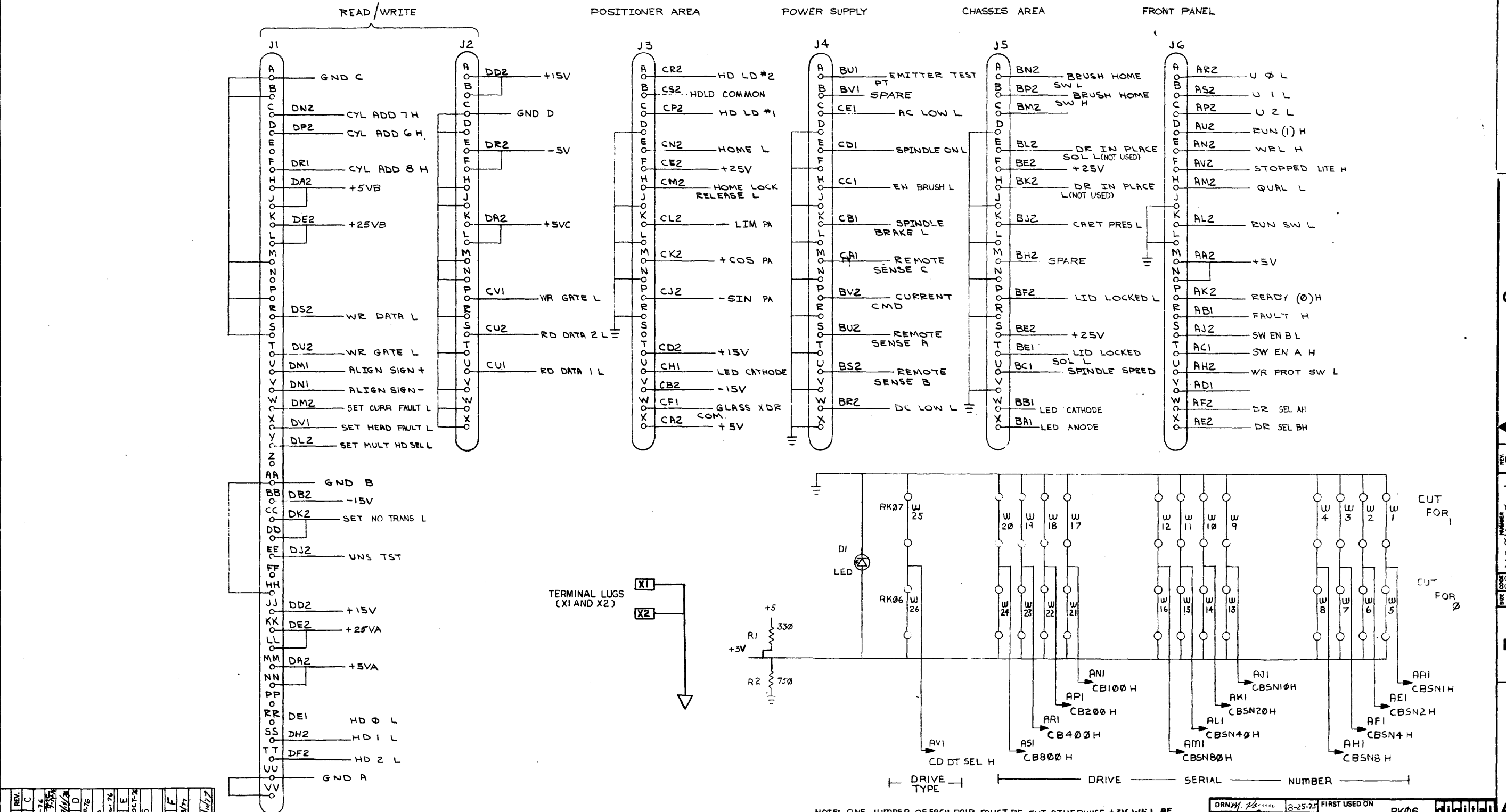
CHANGE NO	REV	DATE	BY
00000004	F		
CASTELLANOS			
11/12			

ETCH REV. E
 P.C. DESIGN DATA BASE REV. E-P2

SIGNATURES	DATE
DRN. P. NICHOLS	9-12-77
CHK'D. <i>[Signature]</i>	11-9-77
ENG. <i>[Signature]</i>	
PROJ. ENG.	
PROD.	11-10-77
SCALE 2/1	
SHT. 1 OF 4	
NEXT HIGHER ASSY. RK06	

digital	
TITLE RK06	
CABLING BOARD	
SIZE CODE	NUMBER
D/AH M9016-0-5 F	M9016-0-5 F

"THIS DRAWING AND SPECIFICATIONS, HEREIN, ARE THE PROPERTY OF DIGITAL EQUIPMENT CORPORATION AND SHALL NOT BE REPRODUCED OR COPIED OR USED IN WHOLE OR IN PART AS THE BASIS FOR THE MANUFACTURE OR SALE OF ITEMS WITHOUT WRITTEN PERMISSION. COPYRIGHT © 1975, DIGITAL EQUIPMENT CORPORATION"

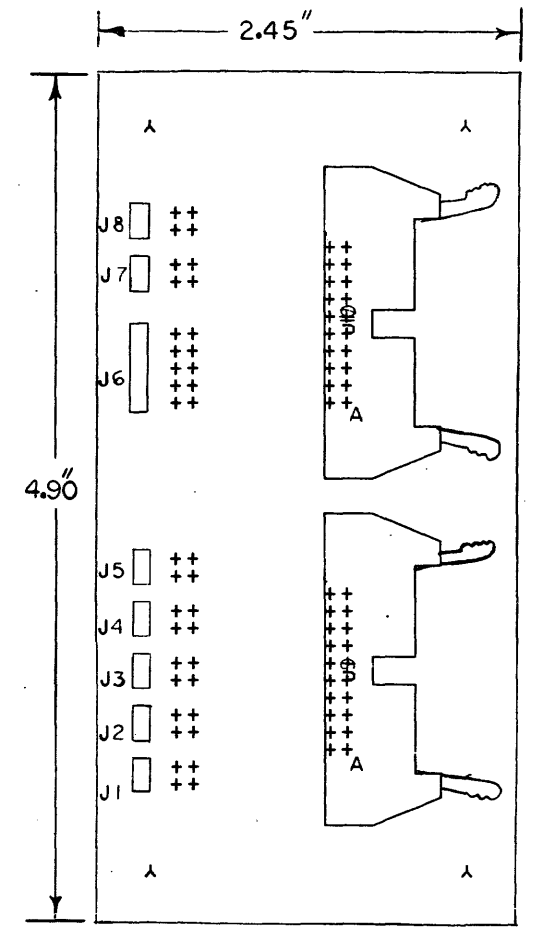


NOTE: ONE JUMPER OF EACH PAIR MUST BE CUT, OTHERWISE +3V WILL BE SHORTED TO GROUND. LED DI, WHEN LIT, INDICATES +3V IS NOT SHORTED TO GROUND.

DRN'D	8-25-75	FIRST USED ON	RK06	digital
CHK'D	17 FEB 76	TITLE	RK06 CABLING BOARD	
ENG.	18 MAR 76	PROJ. ENG.	18 MAR 76	
PROD. ENG.	17 MAR 76			
NEXT HIGHER ASSY.				
D-UA-M9016-0-0	SIZE CODE	NUMBER	REV.	
SCALE	D CS	M9016-0-1	F	
SHEET	1 OF 1	DIST.		

REV.	CHANGE NO.	BY	DATE
C	0001	M. CASTELLANOS	7-12-76
D	0002	M. CASTELLANOS	11/1/76
E	0003	M. CASTELLANOS	3-28-76
F	0004	M. CASTELLANOS	11/1/77

COMPONENT SIDE VIEW



THIS DRAWING AND SPECIFICATIONS, HEREON, ARE THE PROPERTY OF DIGITAL EQUIPMENT CORPORATION AND SHALL NOT BE REPRODUCED OR COPIED IN WHOLE OR IN PART AS THE BASIS FOR THE MANUFACTURE OR SALE OF ITEMS WITHOUT WRITTEN PERMISSION.
COPYRIGHT © 1975 DIGITAL EQUIPMENT CORPORATION

NOTES:

CHECK NO	REV	DATE
5411893-1	A	

HOLE DATA										
SYMBOL	+	A	X	↑	Z	W	A	D	◇	*
FIN HOLE SIZE	.042	218								
PLATED	X									
NON PLATED		X								
QTY.	78	4								
○-OFF GRD HLE										
DRILL SIZE										

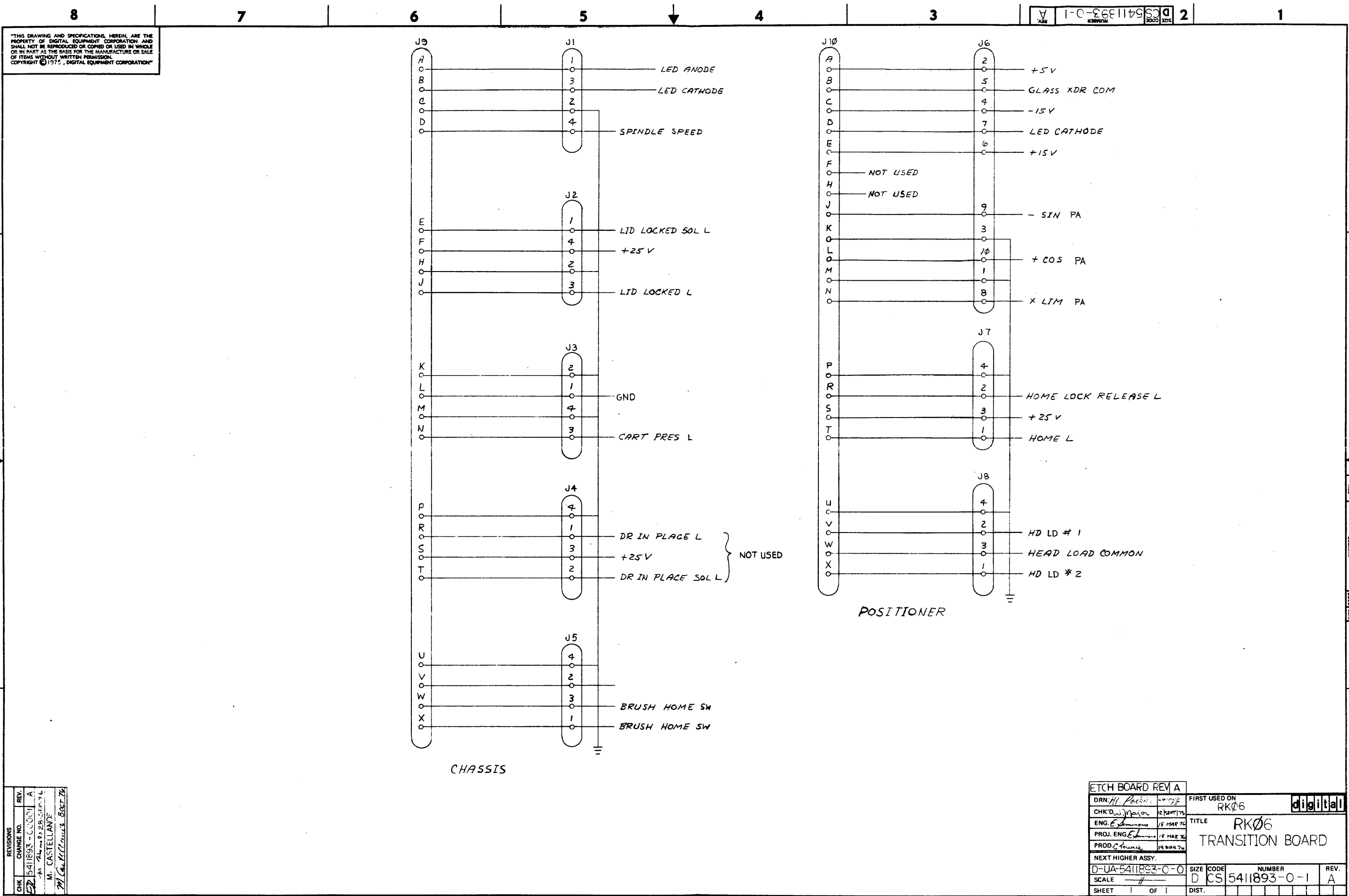
BOARD FABRICATION INFORMATION	
PANEL SIZE	5.055 X 11.750
PANEL DATA DWG.#	D-MD-7605819-0-0
PANEL MAT'L	.052 THK.
QTY. OF LAYERS	2
COPPER THICKNESS	1 OZ 2 SIDES
PTH. X	PRINT AND ETCH

SIGNATURES	DATE
DRN. F.G. [Signature]	8-17-75
CHK'D. [Signature]	5 FEB 76
ENG. [Signature]	5 FEB 76
PROJ. ENG. [Signature]	5 FEB 76
PROD.	

digital	
TITLE	RK06
TRANSITION BOARD	
SCALE	2:1
SHT.	1 OF 4
ETCH REV	A FIRST USED ON RK06

SIZE	CODE	NUMBER	REV
D	AH	5411893-0-5	A

"THIS DRAWING AND SPECIFICATIONS, HEREIN, ARE THE PROPERTY OF DIGITAL EQUIPMENT CORPORATION AND SHALL NOT BE REPRODUCED OR COPIED OR USED IN WHOLE OR IN PART AS THE BASIS FOR THE MANUFACTURE OR SALE OF ITEMS WITHOUT WRITTEN PERMISSION. COPYRIGHT © 1975, DIGITAL EQUIPMENT CORPORATION"



REV.	A
CHANGE NO.	5411893-0000
CHK	M. CASTELLANI
DATE	02.29.76
BY	M. CASTELLANI

ETCH BOARD REV A		FIRST USED ON	RK06	digital
DRN: M. Pavia	12 SEPT 75	CHK: D. W. Major	12 SEPT 75	ENG: E. Johnson
PROJ. ENG: E. Johnson	18 MAR 76	PROD. CONTROL	19 MAR 76	
NEXT HIGHER ASSY.		D-UA-5411893-0-0	SIZE CODE	NUMBER
SCALE	1/4"	D CS	5411893-0-1	REV. A
SHEET	1	OF	1	DIST.

REV. A
NUMBER 5411893-0-1
SIZE CODE D CS


This drawing and specifications, herein, are the property of Digital Equipment Corporation and shall not be reproduced or copied or used in whole or in part as the basis for the manufacture or sale of items without written permission.

COPYRIGHT © 1976
DIGITAL EQUIPMENT CORPORATION

DRAWING NUMBER	INIT REL	AUTOMATIC WIRE TESTER (AWT) REVISION STATUS												
	T3	A	B	C	D	E	E	F	H	H	J	J	J	K
K-WL-7012474-0-DBW	*	A	B	C	D	E	E	F	H	H	J	J	J	K
D-AD-7012474-0-0	*	A	B	B	B	C	D	D	D	D	D	E	F	H
D-CS-5411864-0-1	C	C	C	C	C	C	C	C	C	D	D	D	D	D
D-IA-7011626-0-0	*	*	*	*	*	*	*	*	*	*	B	B		
A-DC-7411881-0-0	*	*	*	*	*	*	*	*	*	*	*	*		

REV P
NUMBER 7012474-0
SIZE CODE AWT

REVISIONS		REV.
CHK	CHANGE NO.	
	7012474-00001	A
MC	7012474-00002	B
R.W	7012474-00003	C
MC	7012474-00004	D
MC	7012474-00005	E
PS	7012474-00007	F
EXP	7012474-00008	H
EXP	7012474-00009	J
WAE	5411864-00002	K
MC	7012474-00010	L
EXP	7012474-00013	M
EXP	7012474 MLO14	N
W.A	7012474-MLO15	P

DRN. <i>W. Major</i>	DATE <i>20/APR/76</i>		EQUIPMENT CORPORATION MAYNARD, MASSACHUSETTS
CHK'D. <i>W. Major</i>	DATE <i>20/APR/76</i>		
ENG. <i>Walt Duda</i>	DATE <i>4/20/76</i>	TITLE RK06 (SINGLE PORT) AWT REVISION STATUS	
PROG. ENG. <i>W. Major</i>	DATE <i>4/20/76</i>		
PROG. <i>W. Major</i>	DATE <i>4/20/76</i>		
FIRST USED ON RK06		SIZE CODE AWT	NUMBER 7012474-0
SCALE ++		DIST.	REV. P.
SHEET 1	OF 1		


DRA 123

This drawing and specifications, herein, are the property of Digital Equipment Corporation and shall not be reproduced or copied or used in whole or in part as the basis for the manufacture or sale of items without written permission.

COPYRIGHT © 1976
DIGITAL EQUIPMENT CORPORATION

NOTES:

1. THE ROUTING OF SOME WIRES ARE CRITICAL. ANY ROUTING CHANGE MUST HAVE ENGINEERING APPROVAL.

FIRST USED ON OPTION MODEL	QTY.	DESCRIPTION	PART NO.	ITEM NO.
RK06				
PARTS LIST				
DRN. w. Major	DATE 20/APR/76	 DIGITAL EQUIPMENT CORPORATION <small>MAYNARD, MASSACHUSETTS</small>		
CHK'D. w. Major	DATE 20/APR/76			
ENG. Wall Duba	DATE 4/20/76			
PROJ. ENG. Doverben	DATE 4/20/76			
PROD. Doverben	DATE 4/24/76			
NEXT HIGHER ASSEMBLY D-AD-7012474-0-0		TITLE WIRE LIST (SINGLE PORT)		
SCALE ++	SIZE CODE K WL	NUMBER 7012474-0-DBW	REV. K	
SHEET 1 OF 1	DIST.			

REVISIONS	CHANGE NO.	REV.
W	7012474-00001	A
M	7012474-00002	B
R.W.	7012474-00003	C
M	7012474-00004	D
M	7012474-00005	E
M	7012474-00008	F
M	7012474-00009	H
M	7012474-00010	J
S.A.	7012474-ML015	K

4

3

2

1

B

B

A

A

4

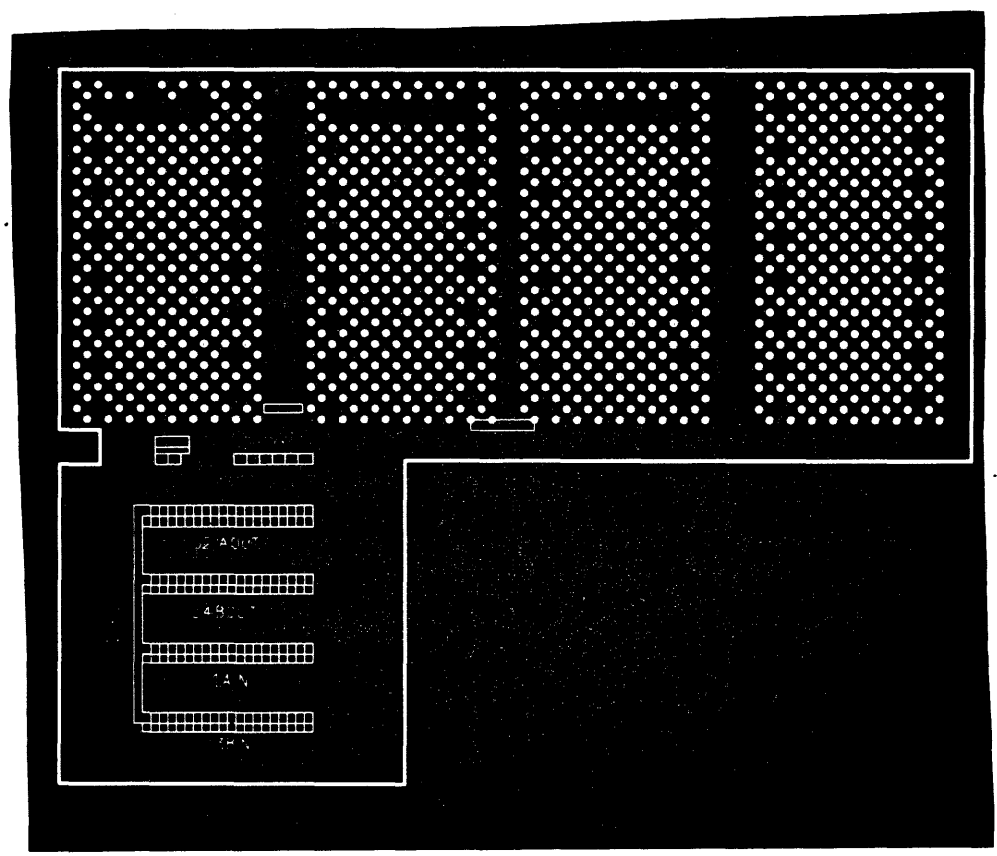
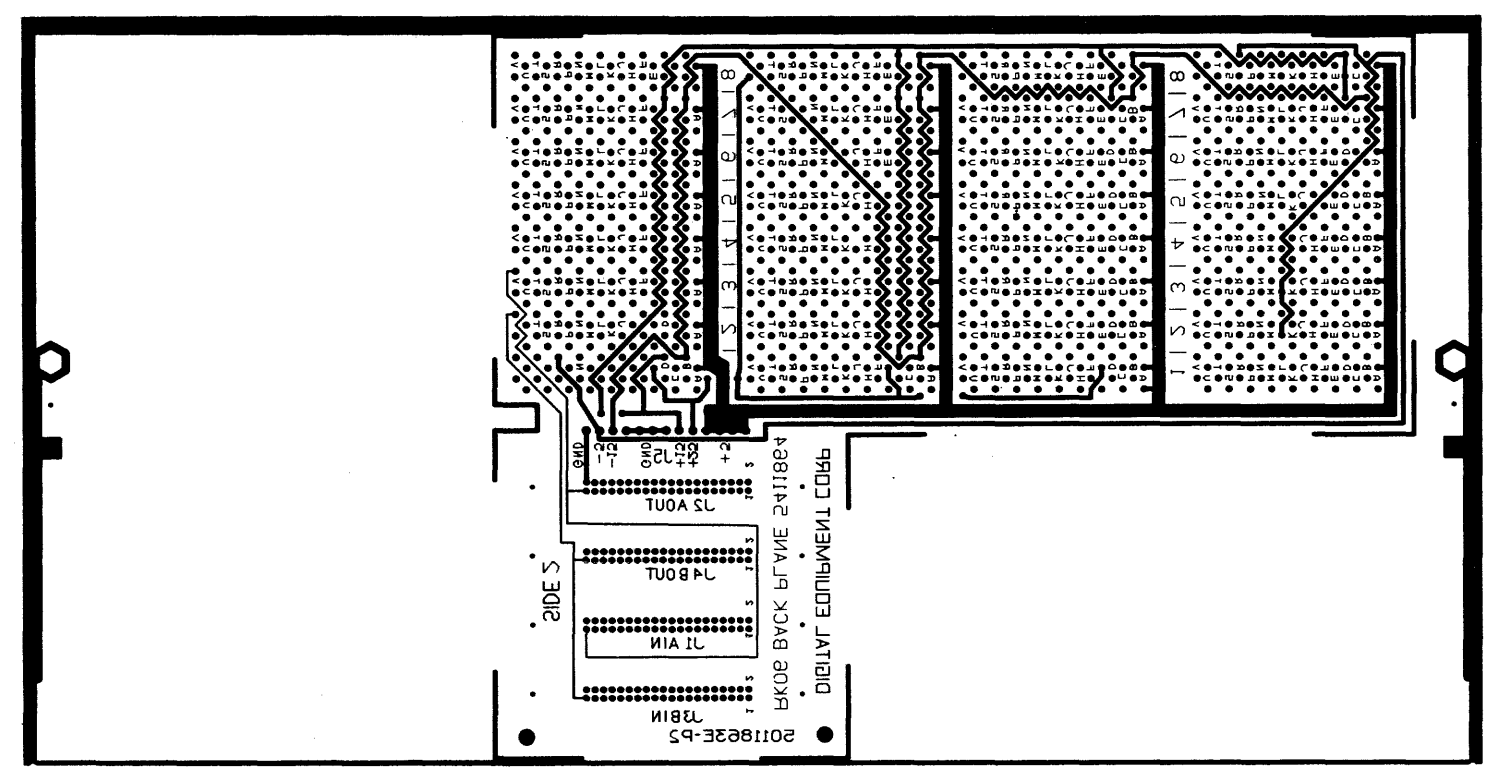
3

2

1

THIS DRAWING AND SPECIFICATIONS, HEREIN, ARE THE PROPERTY OF DIGITAL EQUIPMENT CORPORATION AND SHALL NOT BE REPRODUCED OR COPIED OR USED IN WHOLE OR IN PART AS THE BASIS FOR THE MANUFACTURE OR SALE OF ITEMS WITHOUT WRITTEN PERMISSION.
 COPYRIGHT © 1977 DIGITAL EQUIPMENT CORPORATION

2 J



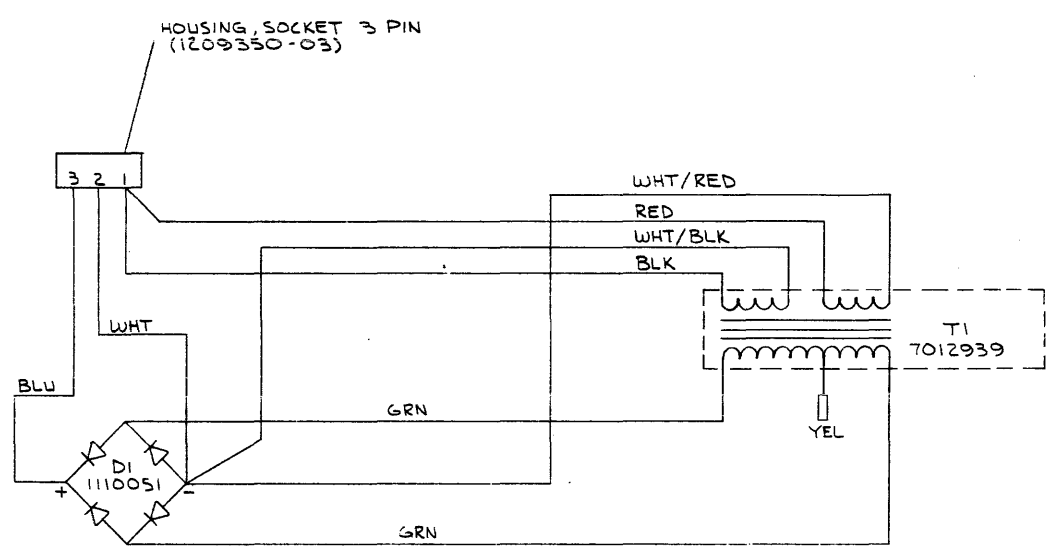
NOTES:

CHK CHANGE NO	REV	DESCRIPTION
1	D	REVISED & REDRAWN

SIGNATURES	DATE	TITLE
DRN. Burt Q. Hunt	7SEP77	RK06 BACK PLANE
CHK. J. V. ...	27SEP77	
ENG. M. ...	13 SEP 77	
PROJ. ENG. ...	22 SEP 77	
SCALE 1/1	SIZE CODE	NUMBER
GHT. 1 OF 1	CS 541864-0-1 D	REV
ETCH REV E	FIRST USED ON RK06	



"THIS DRAWING AND SPECIFICATIONS, HEREIN, ARE THE PROPERTY OF DIGITAL EQUIPMENT CORPORATION AND SHALL NOT BE REPRODUCED OR COPIED OR USED IN WHOLE OR IN PART AS THE BASIS FOR THE MANUFACTURE OR SALE OF ITEMS WITHOUT WRITTEN PERMISSION. COPYRIGHT © 1971, DIGITAL EQUIPMENT CORPORATION"



REV.	
CHG.	
CHK.	
REVISIONS	
CHANGE NO.	

DRN. <i>S. S. S.</i>	30-24-76	FIRST USED ON	RK06 digital
CHK'D. <i>V. M.</i>	2/24/77	TITLE	SPINDLE BRAKE ASSY (CIRCUIT SCHEMATIC)
ENG. <i>P. M.</i>	5/21/77	SCALE: NONE	
PROJ. ENG. <i>P. M.</i>	9/21/77	SHEET 1 OF 1	
PROD. <i>D. M.</i>	12/24/77		
NEXT HIGHER ASSY.			
CAD: 7012940-0-0	SIZE CODE	NUMBER	REV.
	D	CS7012940-0-1	

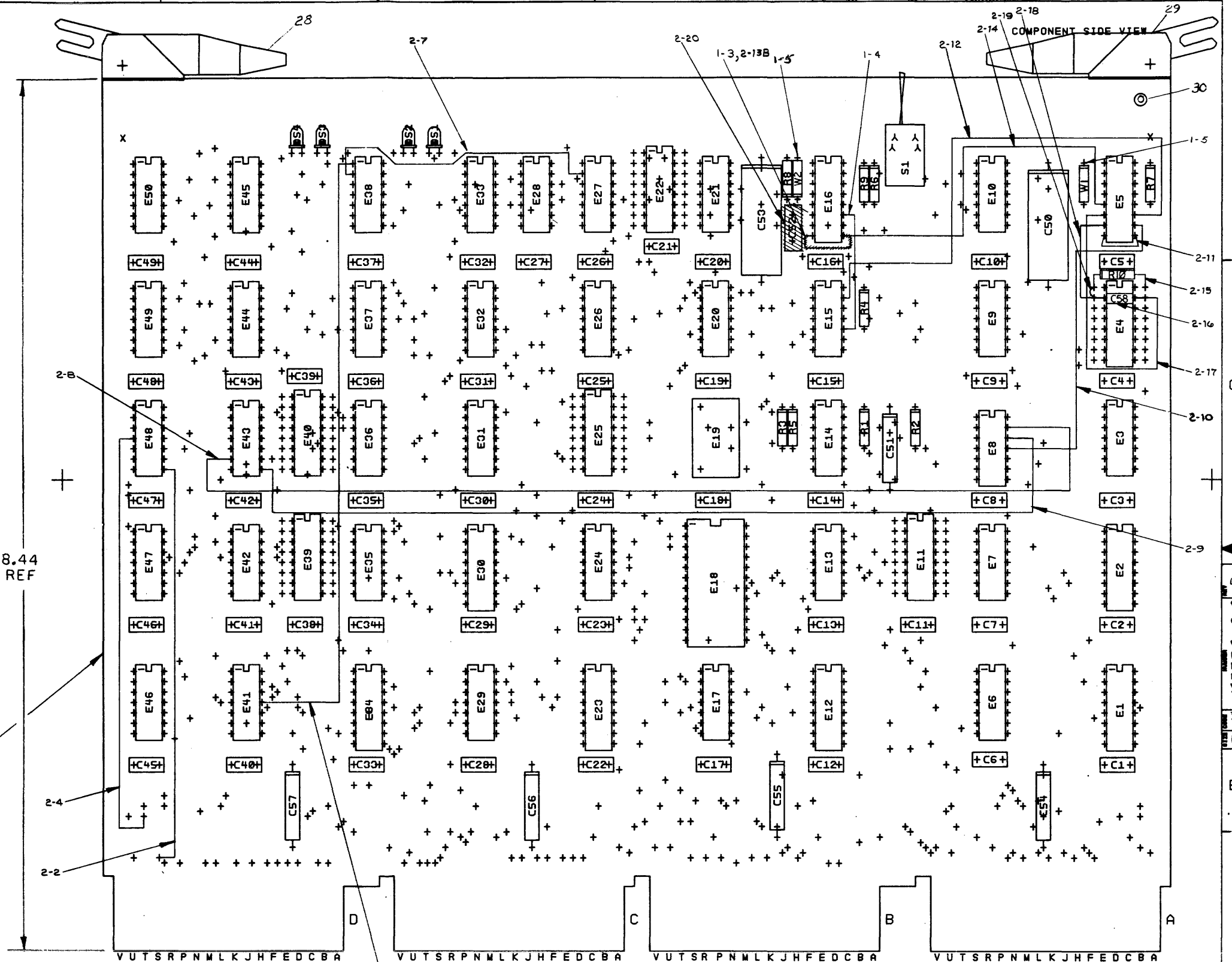
THIS DRAWING AND SPECIFICATIONS, HEREIN, AND THE PROPERTY OF DIGITAL EQUIPMENT CORPORATION AND SHALL NOT BE REPRODUCED OR COPIED IN WHOLE OR IN PART AS THE BASIS FOR THE MANUFACTURE OR SALE OF ITEMS WITHOUT WRITTEN PERMISSION. DIGITAL EQUIPMENT CORPORATION © 1977

REWORK INSTRUCTIONS

- ECO #1**
 1-1. CUT ETCH AT E16-9, SIDE 2
 1-2. CUT ETCH AT E16-11, SIDE 2
 1-3. ADD WIRE FROM E16-8 TO E16-9
 1-4. ADD WIRE FROM E15-10 TO E16-11
 1-5. REMOVE BLAND D2 AND REPLACE WITH JUMPERS W1 & W2 RESPECTIVELY

- ECO #2**
 2-1. TRACE ETCH FROM DS1 TO SIDE 2 OF THE MODULE, CUT ETCH JUST ABOVE FEED THROUGH.
 2-2. RUN WIRE FROM DS1 FEED THROUGH TO E48-8.
 2-3. TRACE ETCH FROM DS2 TO SIDE 1 OF MODULE, CUT ETCH BETWEEN FEED THROUGH.
 2-4. RUN WIRE FROM DS2 FEED THROUGH TO E48-4.
 2-5. RUN WIRE FROM E41-11 TO E38-1.
 2-6. CUT ETCH AT E27-2 ON SIDE 2 OF THE MODULE.
 2-7. ADD WIRE FROM E38-2 TO E27-2.
 2-8. ADD WIRE FROM E43-6 TO E8-13.
 2-9. ADD WIRE FROM E43-8 TO E8-12.
 2-10. ADD WIRE FROM E8-11 TO E5-10.
 2-11. ADD WIRE FROM E5-9 TO E5-8.
 2-12. ADD WIRE FROM E5-11 TO E15-13.
 2-13A. IF MODULE HAS ETCH TO E16-9, CUT ETCH TO E16-9. (ON SIDE 2 OF MODULE.)
 2-13B. IF MODULE HAS WIRE FROM E16-9 TO GROUND, REMOVE WIRE FROM E16-9 TO GROUND.
 2-14. ADD WIRE FROM E5-5 TO E16-9.
 2-15. INSERT A 10K RES. (R10) INTO E4-1 TO E4-16.
 2-16. INSERT A 100PF CAP (C58) INTO E4-2 TO E4-15.
 2-17. ADD WIRE FROM E5-6 TO E4-15.
 2-18. ADD WIRE FROM E5-7 TO E4-2.
 2-19. ADD WIRE FROM E4-1 TO E4-2.
 2-20. REMOVE C52 FROM MODULE.

8.44 REF



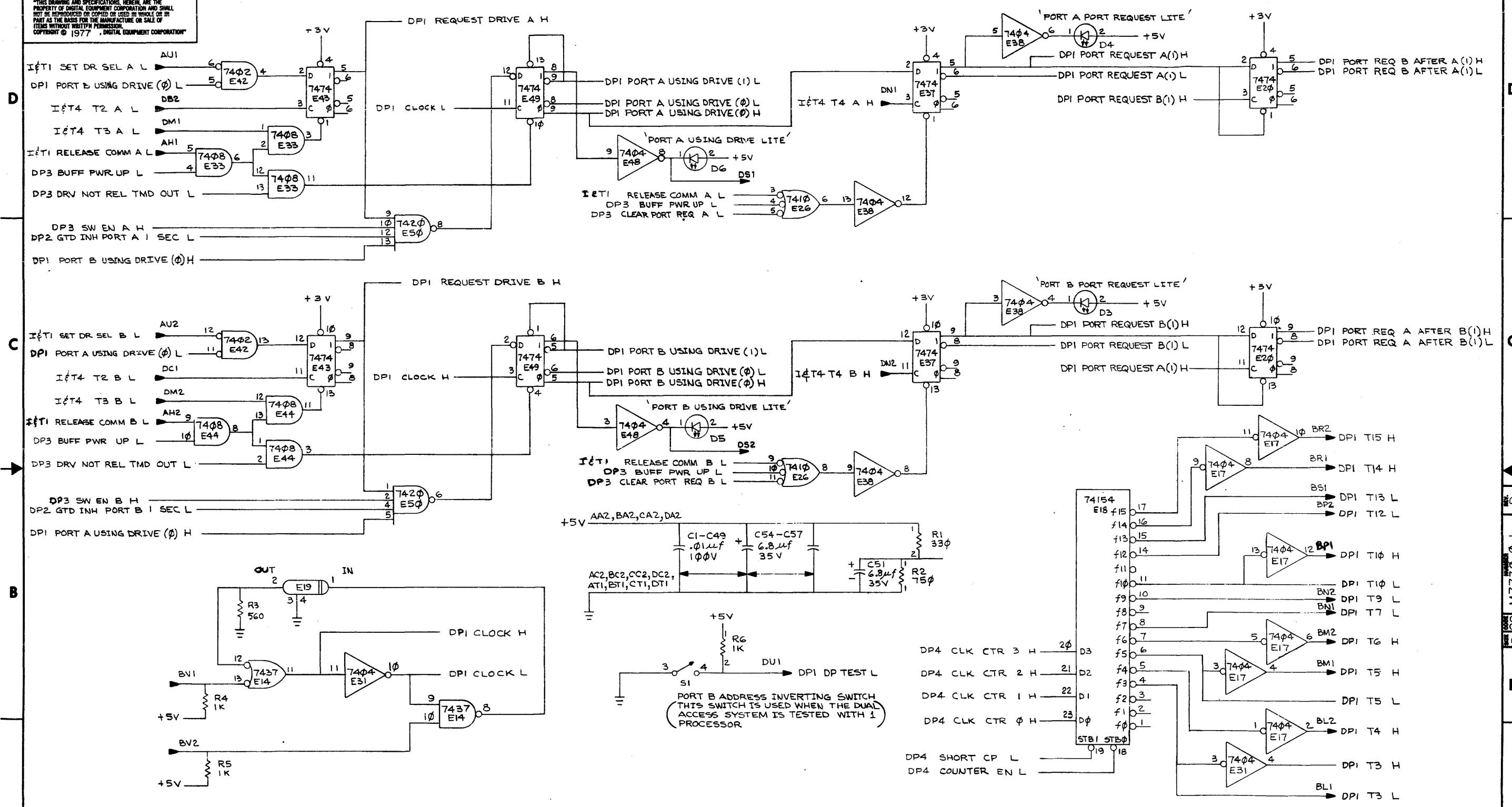
NOTES:

CHANGE NO	REV	DATE	BY	CHK'D
M7730-1	C	4-11-77	R. MOLEFF	R. MOLEFF
M7730-2	D	5-10-77	R. MOLEFF	R. MOLEFF
M7730-3	E	7/21/77	R. MOLEFF	R. MOLEFF

ETCH REV. C	SIZE CODE
P.C. DESIGN DATA BASE REV. — CL	NUMBER

SIGNATURES		DATE	digital
DRN. R. MOLEFF	4-11-77	TITLE RK06	
CHK'D. R. MOLEFF	4-11-77	PROD. R. MOLEFF	DUAL PORT LOGIC
PROJ. ENG. R. MOLEFF	5-10-77	SCALE 2:1	SIZE CODE
SHT. 1 OF 3	REV D	NUMBER	M7730-0-0
NEXT HIGHER ASSY. B-DD-M7730-0	REV D	MS#	104685

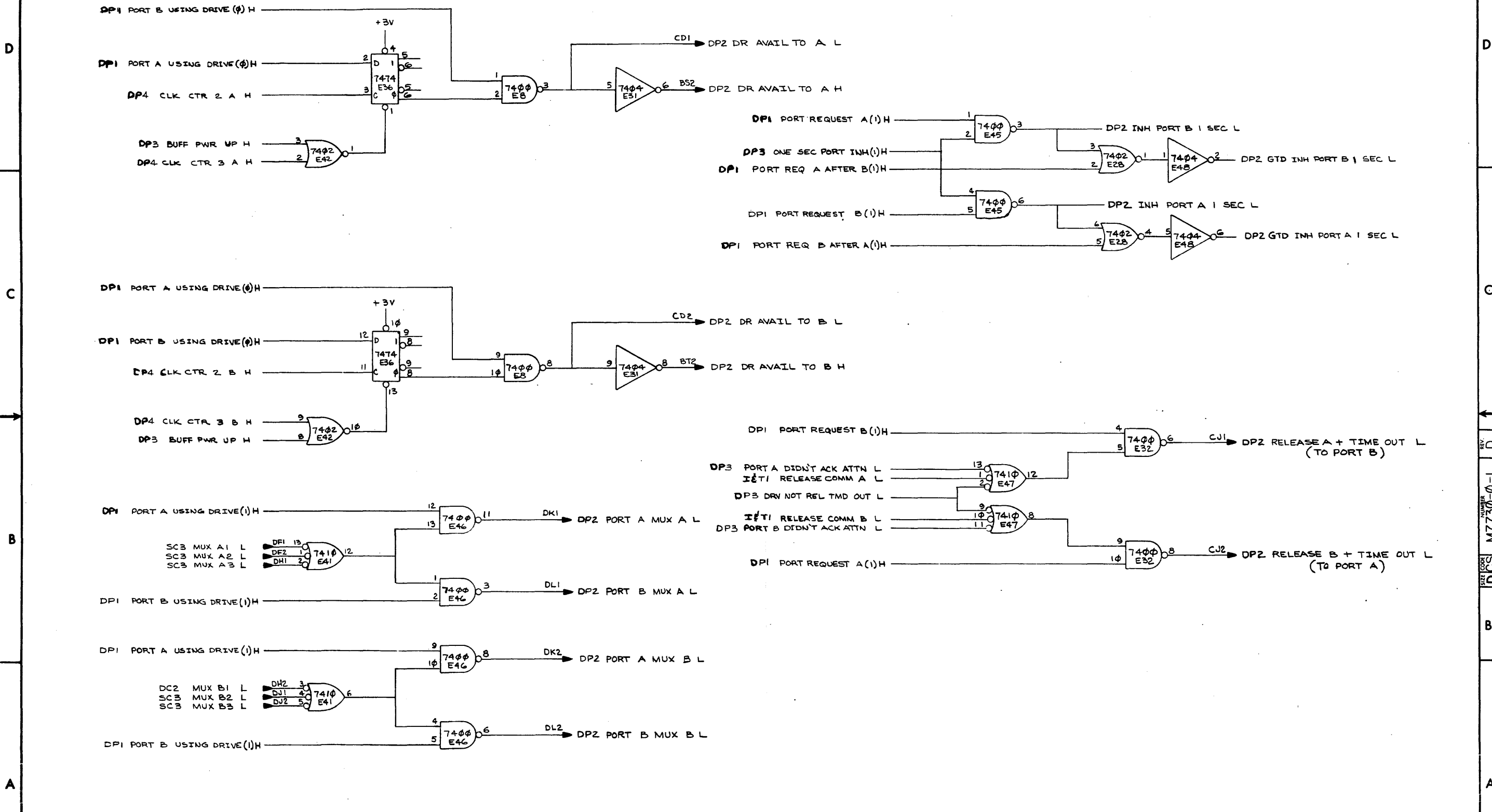
"THIS DRAWING AND SPECIFICATIONS, HEREIN, ARE THE PROPERTY OF DIGITAL EQUIPMENT CORPORATION AND SHALL NOT BE REPRODUCED OR COPIED OR USED IN WHOLE OR IN PART AS THE BASIS FOR THE MANUFACTURE OR SALE OF ITEMS WITHOUT WRITTEN PERMISSION. COPYRIGHT © 1977, DIGITAL EQUIPMENT CORPORATION"



REV.	DATE	BY	CHK'D
1	11/14/76	R. WOLFF	
2	12/21/76	R. WOLFF	
3	1/15/77	R. WOLFF	
4	1/15/77	R. WOLFF	
5	1/15/77	R. WOLFF	
6	1/15/77	R. WOLFF	
7	1/15/77	R. WOLFF	
8	1/15/77	R. WOLFF	

DRN. 3.3	3/11/77	FIRST USED ON	RK06
CHK'D D. Magoshi	14 APR 77	TITLE	RK06 DUAL PORT LOGIC (DPI)
ENG. R. Wolff	14 APR 77	PROJECT	15 MAY 77
PROJ. ENG. R. Wolff	15 MAY 77	NEXT HIGHER ASSY.	
SCALE		SIZE CODE	D CS
SHEET	1 OF 4	NUMBER	M7730-0-1
		REV.	D

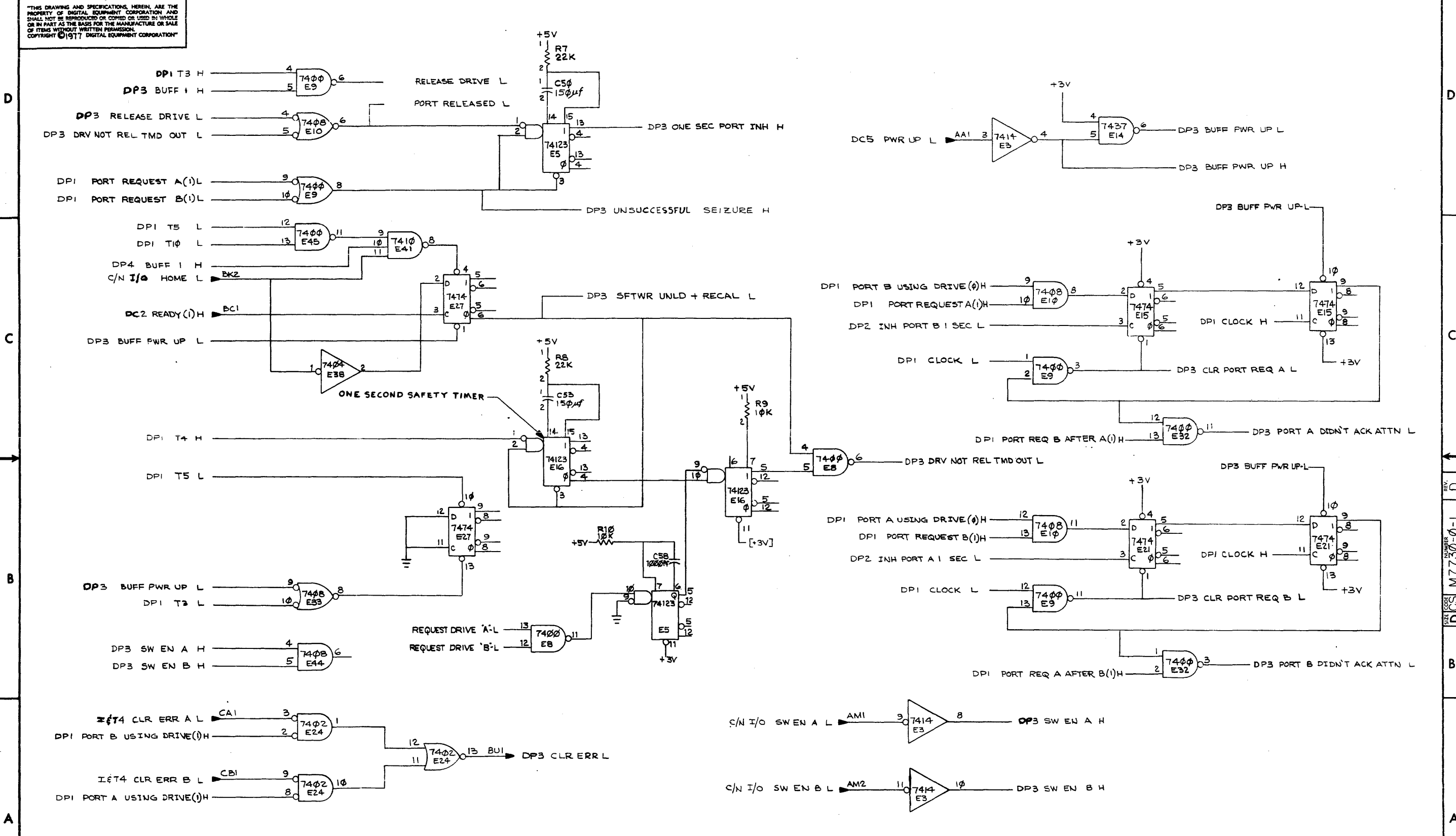
"THIS DRAWING AND SPECIFICATIONS, HEREIN, ARE THE PROPERTY OF DIGITAL EQUIPMENT CORPORATION AND SHALL NOT BE REPRODUCED OR COPIED OR USED IN WHOLE OR IN PART AS THE BASIS FOR THE MANUFACTURE OR SALE OF ITEMS WITHOUT WRITTEN PERMISSION. COPYRIGHT © 1977 DIGITAL EQUIPMENT CORPORATION"



REVISIONS		
CHK	CHANGE NO.	REV.

REV. D
NUMBER M7730-0-1
SIZE CODE D CS

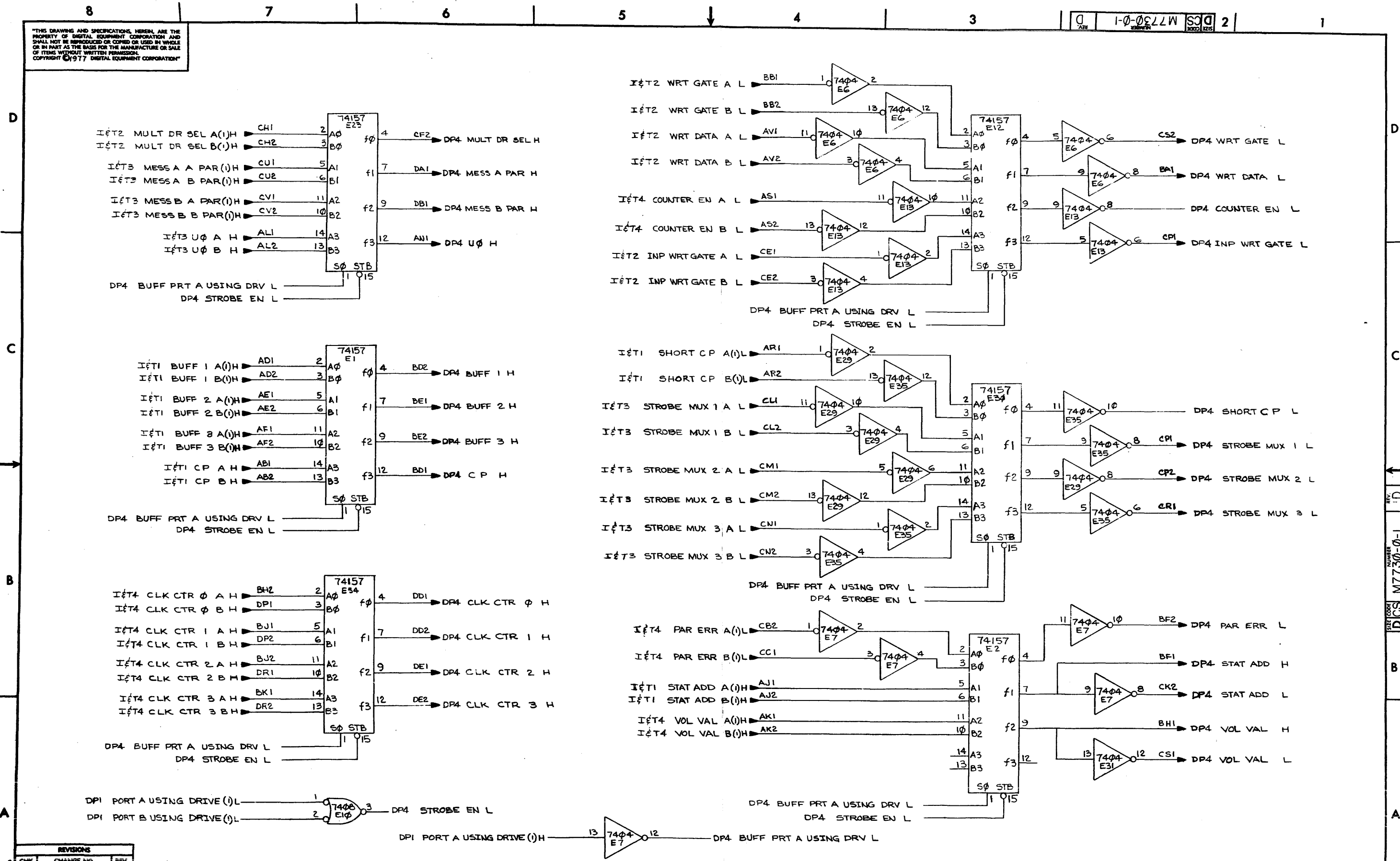
"THIS DRAWING AND SPECIFICATIONS HEREIN ARE THE PROPERTY OF DIGITAL EQUIPMENT CORPORATION AND SHALL NOT BE REPRODUCED OR COPIED OR USED IN WHOLE OR IN PART AS THE BASIS FOR THE MANUFACTURE OR SALE OF ITEMS WITHOUT WRITTEN PERMISSION. COPYRIGHT ©1977 DIGITAL EQUIPMENT CORPORATION"



REVISIONS		
CHK	CHANGE NO.	REV.

"THIS DRAWING AND SPECIFICATIONS HEREIN ARE THE PROPERTY OF DIGITAL EQUIPMENT CORPORATION AND SHALL NOT BE REPRODUCED OR COPIED OR USED IN WHOLE OR IN PART AS THE BASIS FOR THE MANUFACTURE OR SALE OF ITEMS WITHOUT WRITTEN PERMISSION. COPYRIGHT © 1977 DIGITAL EQUIPMENT CORPORATION"

D 1-0-0222W DCS 2

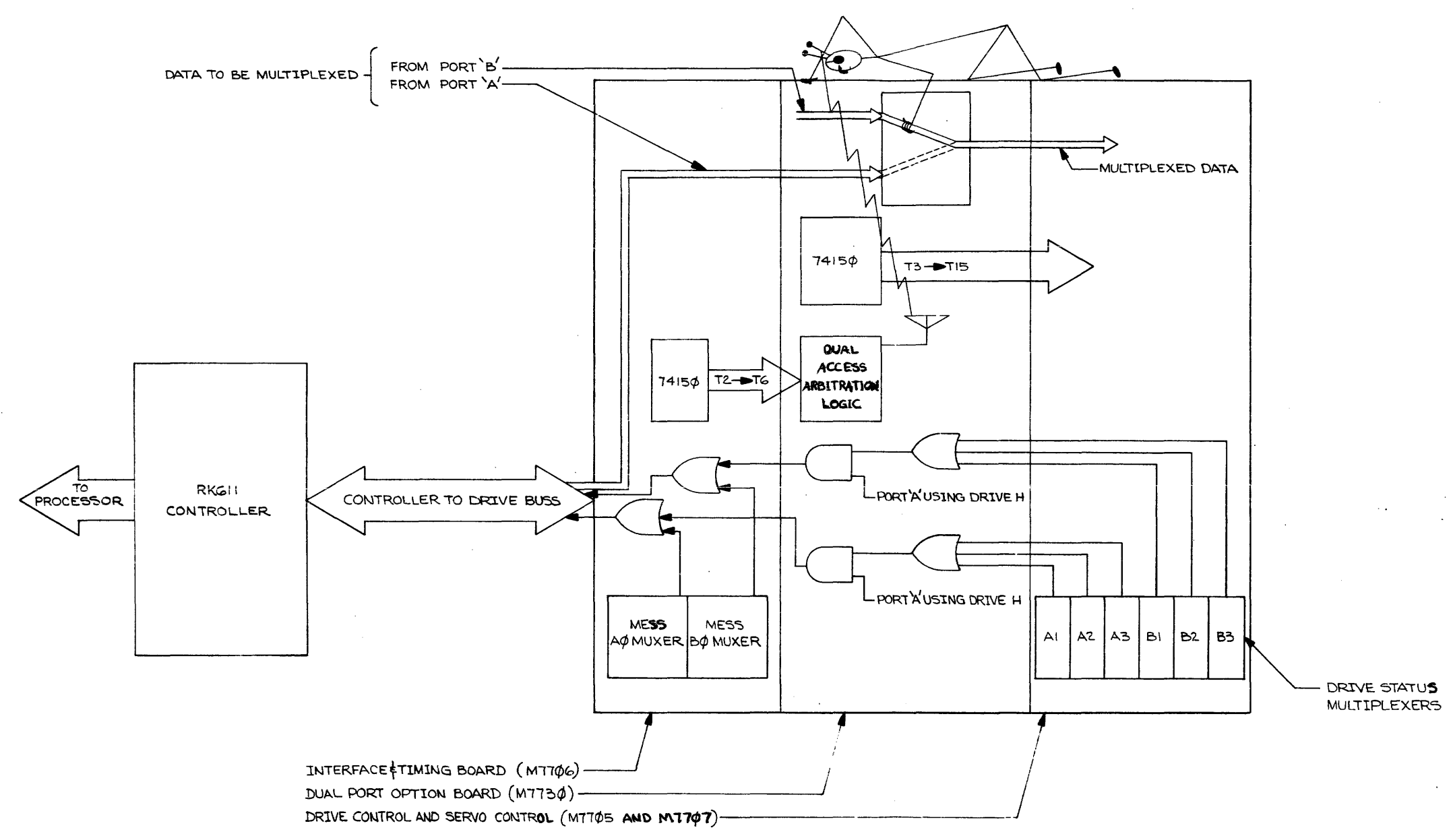


REVISIONS		
CHK	CHANGE NO.	REV.

TITLE	(DP4) RK06 DUAL PORT LOGIC	SIZE CODE	DCS	NUMBER	M7730-0-1	REV.	D
SCALE	#	SHEET	4 OF 4	DIST.			

REV. 1 D NUMBER M7730-0-1 DCS

"THIS DRAWING AND SPECIFICATIONS, HEREIN, ARE THE PROPERTY OF DIGITAL EQUIPMENT CORPORATION AND SHALL NOT BE REPRODUCED OR COPIED OR USED IN WHOLE OR IN PART AS THE BASIS FOR THE MANUFACTURE OR SALE OF ITEMS WITHOUT WRITTEN PERMISSION. COPYRIGHT © 1977, DIGITAL EQUIPMENT CORPORATION"

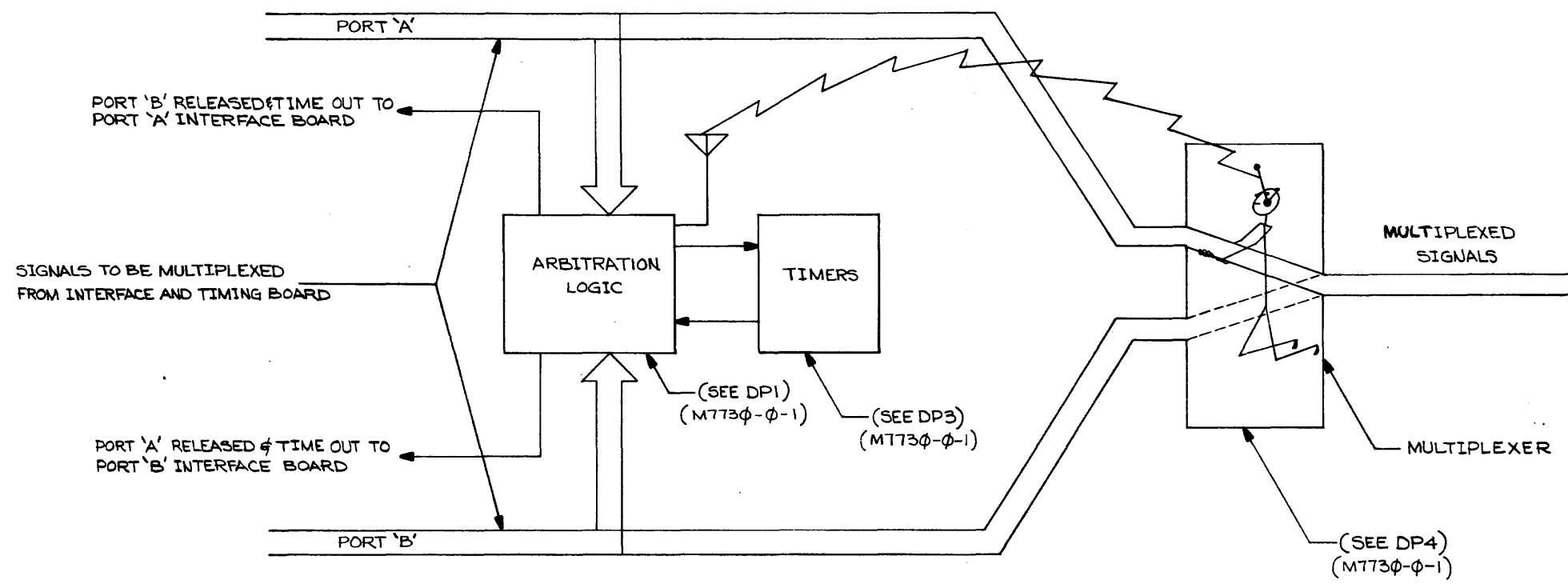


DRIVE ARCHITECTURE WITH DUAL ACCESS OPTION INSTALLED

REV.	
CHANGE NO.	
CHK	

DRN. S. D'Angelo 4-25-77	FIRST USED ON	RK06	DIGITAL
CHK'D. M. M. 4-29-77	TITLE	(RK06) DUAL PORT LOGIC BLOCK DIAGRAM	
ENG. R. W. 5/1/77	PROJ. ENG. (S. W. 5/1/77)	PROP. (S. W. 5/1/77)	
NEXT HIGHER ASSY.		B DD M7730-0	SIZE CODE
SCALE		D BD M7730-0-2	NUMBER
SHEET 1 OF 3	DIST.		REV. B

"THIS DRAWING AND SPECIFICATIONS, HEREIN, ARE THE PROPERTY OF DIGITAL EQUIPMENT CORPORATION AND SHALL NOT BE REPRODUCED OR COPIED OR USED IN WHOLE OR IN PART AS THE BASIS FOR THE MANUFACTURE OR SALE OF ITEMS WITHOUT WRITTEN PERMISSION. COPYRIGHT © 1977 DIGITAL EQUIPMENT CORPORATION"



REVISIONS		
CHK	CHANGE NO.	REV.

"THIS DRAWING AND SPECIFICATIONS, HEREIN, ARE THE PROPERTY OF DIGITAL EQUIPMENT CORPORATION AND SHALL NOT BE REPRODUCED OR COPIED OR USED IN WHOLE OR IN PART AS THE BASIS FOR THE MANUFACTURE OR SALE OF ITEMS WITHOUT WRITTEN PERMISSION. COPYRIGHT © 1977 DIGITAL EQUIPMENT CORPORATION"

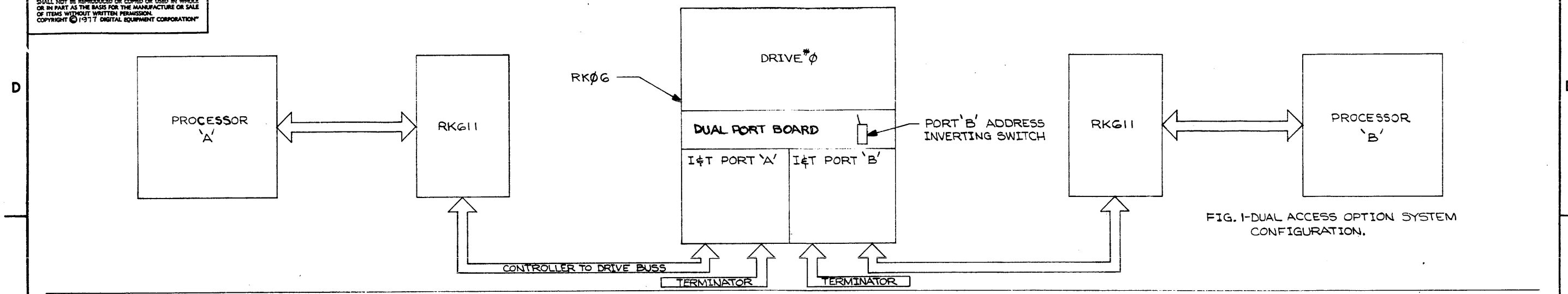


FIG. 1-DUAL ACCESS OPTION SYSTEM CONFIGURATION.

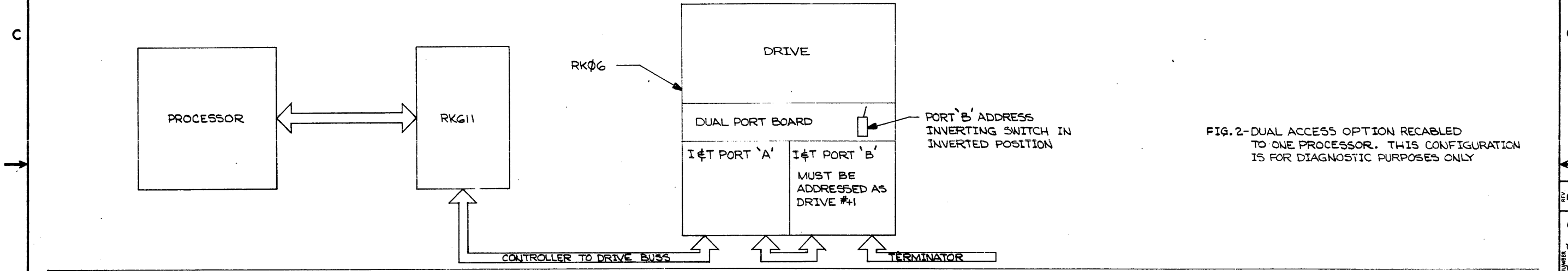


FIG. 2-DUAL ACCESS OPTION RECONFIGURED TO ONE PROCESSOR. THIS CONFIGURATION IS FOR DIAGNOSTIC PURPOSES ONLY

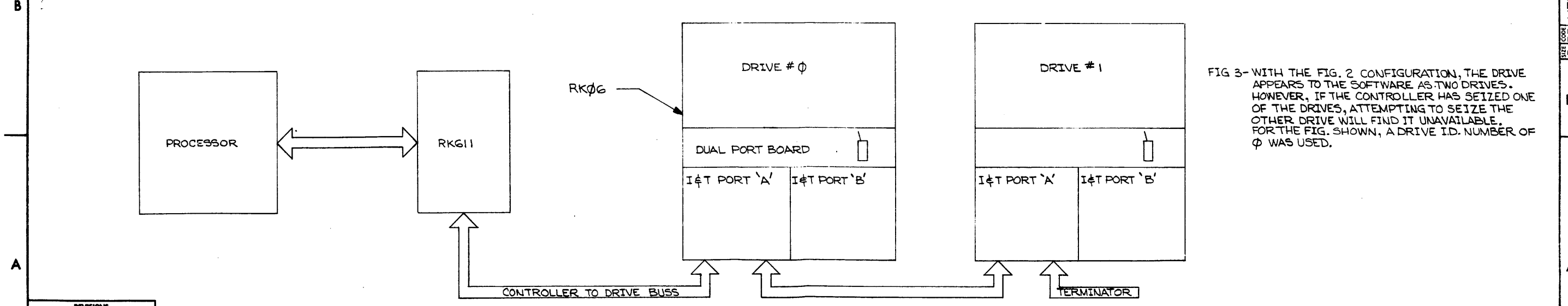
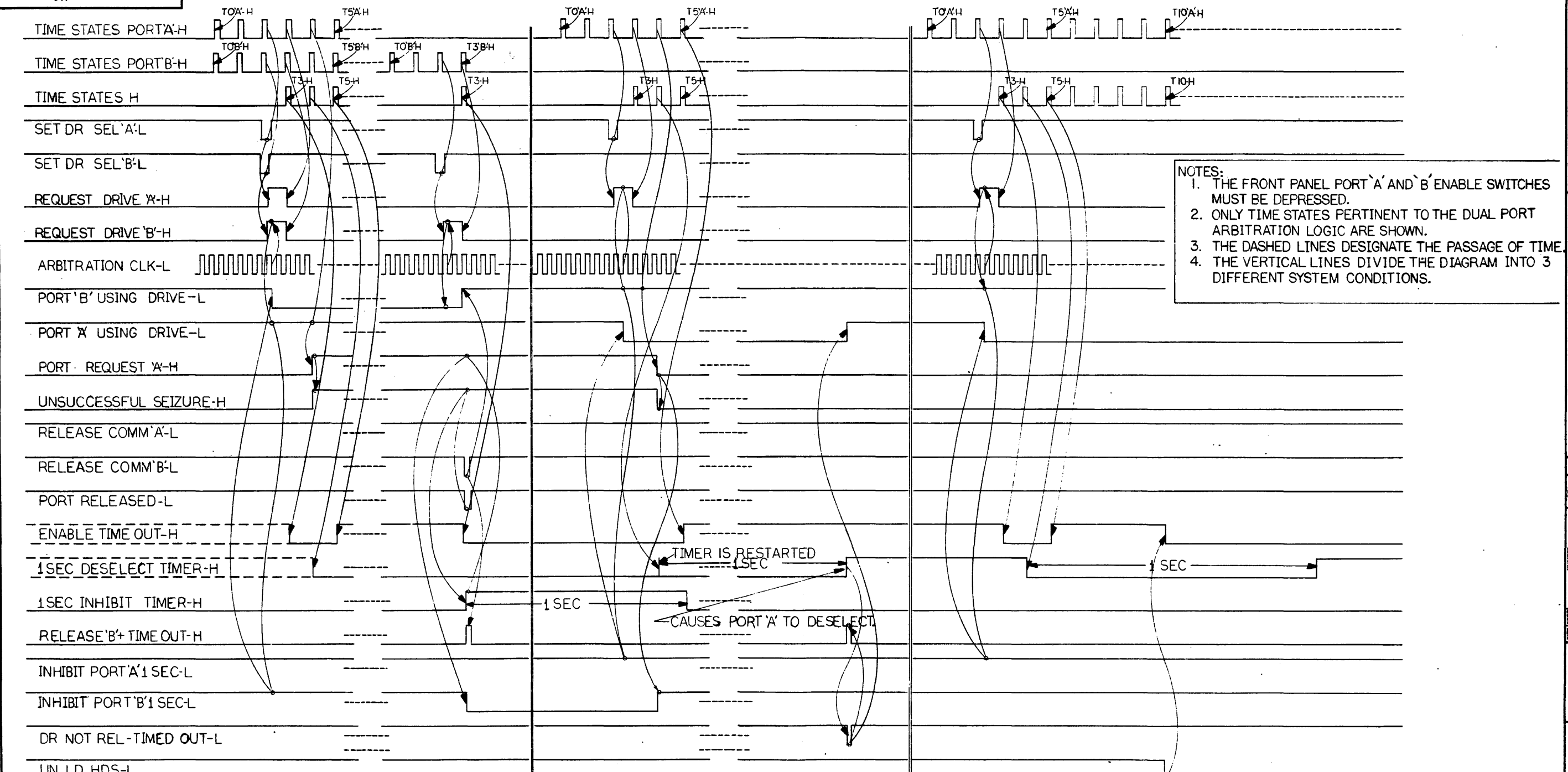


FIG. 3-WITH THE FIG. 2 CONFIGURATION, THE DRIVE APPEARS TO THE SOFTWARE AS TWO DRIVES. HOWEVER, IF THE CONTROLLER HAS SEIZED ONE OF THE DRIVES, ATTEMPTING TO SEIZE THE OTHER DRIVE WILL FIND IT UNAVAILABLE. FOR THE FIG. SHOWN, A DRIVE I.D. NUMBER OF φ WAS USED.

REVISIONS		
CHK	CHANGE NO.	REV.

REV. B
NUMBER M7730-0-2
D BD

"THIS DRAWING AND SPECIFICATIONS, HEREIN, ARE THE PROPERTY OF DIGITAL EQUIPMENT CORPORATION AND SHALL NOT BE REPRODUCED OR COPIED OR USED IN WHOLE OR IN PART AS THE BASIS FOR THE MANUFACTURE OR SALE OF ITEMS WITHOUT WRITTEN PERMISSION. COPYRIGHT © 1977 DIGITAL EQUIPMENT CORPORATION"



NOTES:
 1. THE FRONT PANEL PORT 'A' AND 'B' ENABLE SWITCHES MUST BE DEPRESSED.
 2. ONLY TIME STATES PERTINENT TO THE DUAL PORT ARBITRATION LOGIC ARE SHOWN.
 3. THE DASHED LINES DESIGNATE THE PASSAGE OF TIME.
 4. THE VERTICAL LINES DIVIDE THE DIAGRAM INTO 3 DIFFERENT SYSTEM CONDITIONS.

DRIVE IS AVAILABLE TO BOTH PORTS WHICH SIMULTANEOUSLY ATTEMPT TO SEIZE THE DRIVE. THE DUAL PORT CLOCK ARBITRATES AND PORT 'B' WINS. PORT 'A' SETS UP THE LOGIC GIVING IT PRIORITY ONCE PORT 'B' RELEASES THE DRIVE.

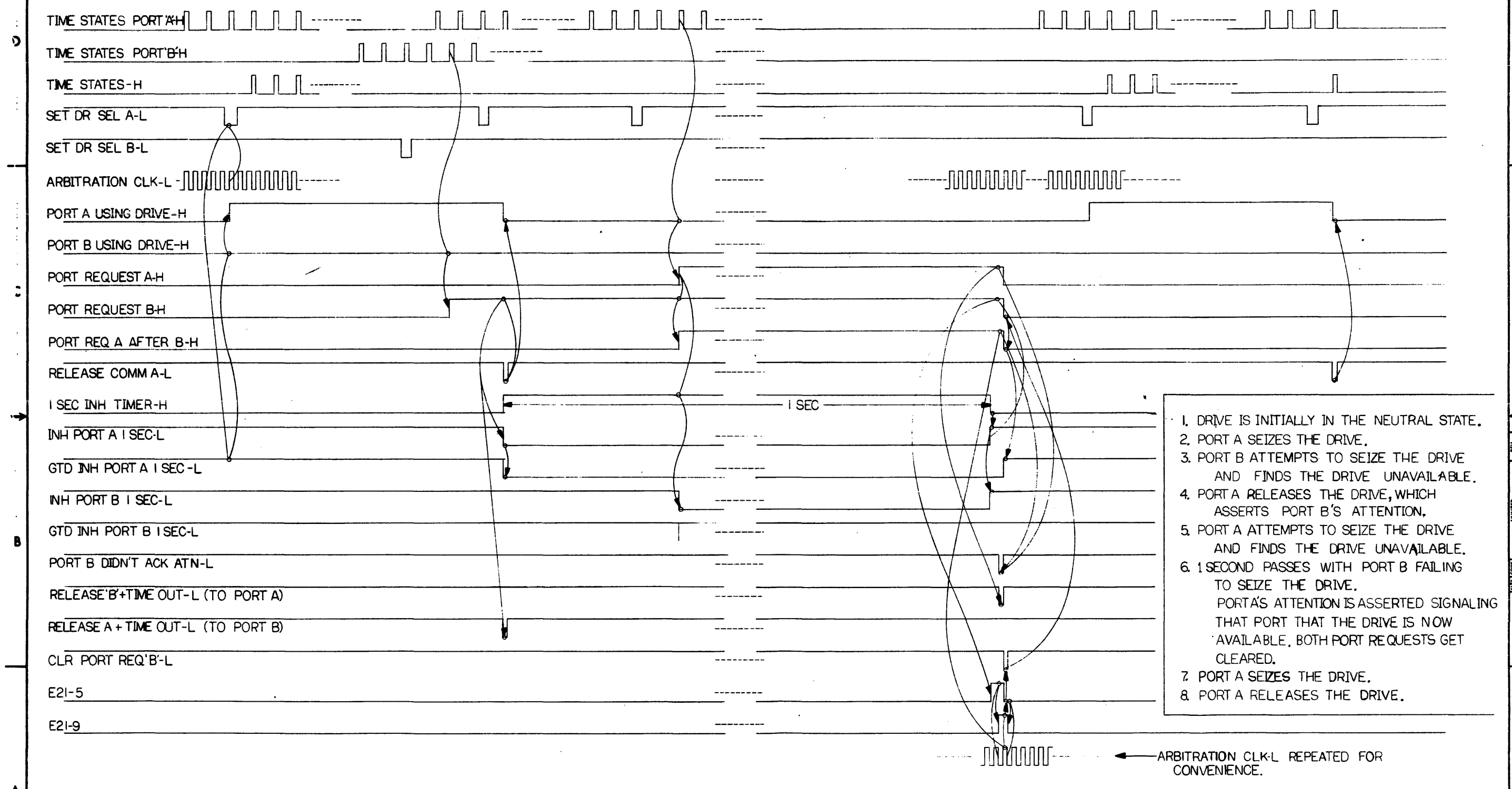
THE LOGIC INHIBITS PORT 'B' FROM SEIZING THE DRIVE, GIVING PORT 'A' PRIORITY. PORT 'A' SEIZES THE DRIVE, BUT DOES NOT ISSUE A RELEASE COMMAND. THE 1 SECOND DESELECT TIMER TIMES OUT AND PORT 'A' GETS DESELECTED.

DRIVE IS AVAILABLE TO BOTH PORTS. PORT 'A' SEIZES THE DRIVE AND ISSUES THE UNLOAD HEADS COMMAND. THE DESELECT TIMER IS DISABLED AND THE DRIVE WILL REMAIN LOCKED ONTO PORT 'A'.

REV.	
CHG.	
CHK.	
REV.	

DRN. J. Stryker 8-13-66	FIRST USED ON RK06	DIGITAL
CHK'D. Maguire 4-24-77	TITLE (RK06)	
ENG. R. D. 11 19 APR 77	DUAL PORT LOGIC	
PROJ. ENG. C. 11 5 MAR 77	TIMING DIAGRAM	
NEXT HIGHER ASSY.		
B-DD-M7730-0-3	SIZE CODE	NUMBER
SCALE	D TD	M7730-0-3
SHEET 1	OF 2	REV. B

"THIS DRAWING AND SPECIFICATIONS HEREIN ARE THE PROPERTY OF DIGITAL EQUIPMENT CORPORATION AND SHALL NOT BE REPRODUCED OR COPIED OR USED IN WHOLE OR IN PART AS THE BASIS FOR THE MANUFACTURE OR SALE OF ITEMS WITHOUT WRITTEN PERMISSION. COPYRIGHT © 1977 DIGITAL EQUIPMENT CORPORATION"



1. DRIVE IS INITIALLY IN THE NEUTRAL STATE.
2. PORT A SEIZES THE DRIVE.
3. PORT B ATTEMPTS TO SEIZE THE DRIVE AND FINDS THE DRIVE UNAVAILABLE.
4. PORT A RELEASES THE DRIVE, WHICH ASSERTS PORT B'S ATTENTION.
5. PORT A ATTEMPTS TO SEIZE THE DRIVE AND FINDS THE DRIVE UNAVAILABLE.
6. 1 SECOND PASSES WITH PORT B FAILING TO SEIZE THE DRIVE. PORT A'S ATTENTION IS ASSERTED SIGNALING THAT PORT THAT THE DRIVE IS NOW AVAILABLE. BOTH PORT REQUESTS GET CLEARED.
7. PORT A SEIZES THE DRIVE.
8. PORT A RELEASES THE DRIVE.

← ARBITRATION CLK-L REPEATED FOR CONVENIENCE.

REVISIONS		
CHK	CHANGE NO.	REV.

DUAL PORT LOGIC RELEASE AND TIME OUT TIMING

TITLE	(RKO6) DUAL PORT LOGIC TIMING DIAGRAM	SIZE CODE	D TD	NUMBER	M7730-0-3	REV.	B
SCALE		SHEET	2 OF 2	DIST.			

DITD M7730-0-3

B

A

LINE	ITEM	DOCUMENT NO.	PART NO.	DESCRIPTION	QTY	REFERENCE DESIGNATORS
1	1		5012638-00	M7730	1	
2	2		1000012-00	***** THIS ITEM IS NOT USED *****	-	
3	3		1000084-00	150 MFD 15V 20% 150D S.TA (10-00	2	C50,C53
4	4		1001610-01	.01 MFD 100V OR 50V Z5U DISC/800PF MIN	49	C1-C49
5	5		1005306-00	6.8MFD 35V 10% 150D S.TA (10-00	5	C51,C54-C57
6	6		1105275-00	***** THIS ITEM IS NOT USED *****	-	
7	7		1112689-00	LED .8MCD@16MA VF=5V	4	DS1-DS4
8	8		1210209-00	SW,TOG 1P,01A SUBMINI	1	S1
9	9		1300295-00	330 1/4W 5% CC (13-00	1	R1
10	10		1300365-00	1 K 1/4W 5% CC (13-00	3	R4-R6
11	11		1301401-00	750 1/4W 5% CC (13-00	1	R2
12	12		1301808-00	22 K 1/4W 5% CC (13-00	2	R7,R8
13	13		1300479-00	10 K 1/4W 5% CC (13-00	2	R9,R10
14	14		1301890-00	560 1/4W 5% CC (13-00	1	R3
15	15		1609428-00	DELAY= 50NS,@TAPS D0150	1	E19
16	16		1905547-00	DEC 7474 FF-D DUAL,EDGE TRIGGER,15MHZ	8	E15,E20,E21,E27,E36,E37,E43, CONT E49
17	17		1905575-00	7400 NAND GATE-QUAD 2IN	5	ER,E9,E32,E45,E46
18	18		1905576-00	7410 NAND GATE-TRIPLE 3IN	3	E26,E41,E47
19	19		1905577-00	7420 NAND GATE-DUAL 4INPUT	1	E50
20	20		1909004-00	DEC 7402 NOR GATE-QUAD 2IN	3	E24,E28,E42
21	21		1909686-00	7404 INVERTER GATE-HEX 1IN	9	E6,E7,E13,E17,E29,E31,E35,E38, CONT E48
22	22		1909701-00	74154 1 OF 16,BINARY SELECT	1	E18
23	23		1910091-00	DEC 7437 NAND GATE-QUAD 2IN,BUFFER 14	1	E14
24	24		1910155-00	DEC 7408 AND GATE,POS,QUAD 2IN 14	3	E10,E33,E44
25	25		1910436-00	DEC 74123 ONE SHOT-DUAL,RETRIGGERABLE	2	E5,E16
26	26		1910655-00	74157 MUX 1 OF 2 (QUAD	6	E1,E2,E12,E23,E30,E34
27	27		1911324-00	7414 NAND GATE-HEX 1IN SCHMITT TRIG	1	E3
28	28		7413826-00	HANDLE	1	

REVISION HISTORY			VARIATIONS FOR THIS ASSY.			
CHK	ECO NO.	REV	FIRST USED ON: RK06			
BHF	02002	D	MADE BY: D. MAYUSHI DATE: 30-JUN-78			
			CHECKED: D. MAYUSHI DATE: 30-JUN-78			
			DSN.ENG.: ROBERT H. WOLFF DATE: 30-JUN-78			
			PROD.: BOB GOODWIN DATE: 30-JUN-78			
			RESP.ENG.: ROBERT H. WOLFF DATE: 30-JUN-78			
			DIGITAL EQUIPMENT CORPORATION MAYNARD, MASSACHUSETTS			
			TITLE PARTS LIST			
			RK06 DUAL PORT LOGIC			
			SIZE/	CODE/	DOCUMENT NUMBER	REV
			K	PL	M7730-0-DBP	ID
			ASSY. NO.: D-UA-M7730-0-0			
			EDIT# 4			

THIS DRAWING AND SPECIFICATIONS HEREIN, ARE THE PROPERTY OF DIGITAL EQUIPMENT CORPORATION AND SHALL NOT BE REPRODUCED OR COPIED OR USED IN WHOLE OR IN PART AS THE BASIS FOR THE MANUFACTURE OR SALE OF ITEMS WITHOUT WRITTEN PERMISSION.
COPYRIGHT 1978, DIGITAL EQUIPMENT CORPORATION

LINE	ITEM	DOCUMENT NO.	PART NO.	DESCRIPTION	QTY	REFERENCE DESIGNATORS
29	29		7413826-01	HANDEL, MODULE	1	
30	30		9000024-01	EYELET, ROLLED FLANGE, .121 OD X .196 LG	8	
31	31		9105740-55	WIRE(WRAP)30AWG UL1423 (91-00 A/R		
32	32		9009185-00	JUMPER, WIRE, INSULATED, BLACK BAND	2	W1,W2
33	33		1000042-00	1000.0 MMF 100V 5%200PPM DM15S (10-00	1	C58
34	34	9-DD-M7730-0-0		DRAWING DIPECTORY	REF	
35	35	D-UA-M7730-0-0		UNIT ASSEMBLY	REF	
36	36	D-CS-M7730-0-1		CIRCUIT SCHEMATIC	REF	
37	37	D-MD-5012638-0-0		DRILL AND ETCH DRAWING	REF	
38	38	I.C. SPARES, 16 PIN			6	E4,E11,E22,E25,E39,E40

DIGITAL EQUIPMENT CORPORATION MAYNARD, MASSACHUSETTS	TITLE RK06 DUAL PORT LOGIC	PARTS LIST	SIZE K	CODE PL	DOCUMENT NUMBER M7730-0-DBP	REV D
---	-------------------------------	------------	-----------	------------	--------------------------------	----------

This drawing and specifications, herein, are the property of Digital Equipment Corporation and shall not be reproduced or copied or used in whole or in part as the basis for the manufacture or sale of items without written permission.

DRAWING NUMBER	INIT REL	AUTOMATIC WIRE TESTER (AWT) REVISION STATUS													
	T	A	B	C	D	E	E	F	H	H	J	K	K	K	L
K-WL-7012474-1-DBW	*	A	B	C	D	E	E	F	H	H	J	K	K	K	L
D-AD-7012474-0-0	*	A	B	B	C	C	D	D	D	D	D	D	E	F	H
D-CS-5411864-0-1	C	C	C	C	C	C	C	C	C	D	D	D	D	D	D
D-IA-7011626-0-0	*	*	*	*	*	*	*	*	*	B	B	B			
A-DC-7411881-0-0	*	*	*	*	*	*	*	*	*	*	*	*			

REV. W. R.
NUMBER 7012474-1
SIZE CODE AWT

REVISIONS		REV.
CHK	CHANGE NO.	
	7012474-00001	A
	7012474-00002	B
	7012474-00003	C
	7012474-00005	D
	7012474-00006	E
	7012474-00007	F
	7012474-00008	H
	7012474-00009	J
	5411864-00002	K
	7012474-00010	L
	7012474-00012	M
	7012474-00013	N
	7012474-ML014	P
	7012474-ML015	R


DRN W. Major	DATE 20 APR 76	digital EQUIPMENT CORPORATION MAYNARD, MASSACHUSETTS
CHK'D W. Major	DATE 20 APR 76	
ENG W. Major	DATE 4/20/76	TITLE RK06 (DUAL PORT) AWT REVISION STATUS
PRJ. ENG P. Mendes	DATE 4/24/76	SIZE CODE AWT
PRD. P. Mendes	DATE 4/24/76	NUMBER 7012474-1
FIRST USED ON RK06		REV. R.1
SCALE ++		DIST.
SHEET 1 OF 1		

This drawing and specifications, herein, are the property of Digital Equipment Corporation and shall not be reproduced or copied or used in whole or in part as the basis for the manufacture or sale of items without written permission.

COPYRIGHT © 1976
DIGITAL EQUIPMENT CORPORATION

NOTES:

1. THE ROUTING OF SOME WIRES ARE CRITICAL. ANY ROUTING CHANGE MUST HAVE DISK ENGINEERING APPROVAL.

FIRST USED ON OPTION MODEL	QTY.	DESCRIPTION	PART NO.	ITEM NO.
RK06				
PARTS LIST				
DRN. <i>w. Major</i>	DATE 20 APR 76	 <p>DIGITAL EQUIPMENT CORPORATION MAYNARD, MASSACHUSETTS</p> <p>TITLE WIRE LIST (DUAL PORT)</p>		
CHK'D. <i>w. Major</i>	DATE 20 APR 76			
ENG. <i>Walt Dube</i>	DATE 4/20/76			
PROJ. ENG. <i>C. Svendsen</i>	DATE 4/24/76			
PROP. <i>C. Svendsen</i>	DATE 4/24/76			
NEXT HIGHER ASSEMBLY D-AD-7012474-0-0		SIZE CODE K WL	NUMBER 7012474-1-DBW	REV. L
SCALE + +	SHEET 1 OF 1	DIST.		

REVISIONS	CHANGE NO.	REV.
<i>W</i>	7012474-00001	A
<i>MC</i>	7012474-00002	B
<i>R.W</i>	7012474-00003	C
<i>MC</i>	7012474-00005	D
<i>R.W</i>	7012474-00006	E
<i>W</i>	7012474-00008	F
<i>W</i>	7012474-00009	H
<i>MC</i>	7012474-00010	J
<i>MC</i>	7012474-00012	K
<i>D. G</i>	7012474-ML015	L