

**RP05/06 677-01/51  
DISC DRIVE  
ILLUSTRATED PARTS  
CATALOG**

This document reprinted with permission of  
Memorex Corporation.

# **MEMOREX**

**677-01/677-51  
Disc Storage Drives  
Illustrated Parts Catalog**

677-01/51.23-01

**Publication Number 677-01/51.23-01**

**Part Number 804103**

**January 1976 edition**

The information in this publication is subject to periodic revisions and to updates by Publications Bulletins. A bulletin is identified as Publication Number 677.01/51.23-00XX, where "XX" equals "01" for the first bulletin released.

To request copies of this publication or any bulletin, send a Supplies Requisition (form number 7020) using the publication number to: Memorex Corporation, Marketing Distribution Center, San Tomas at Central Expressway, Santa Clara, California 95052.

A readers' comments form is provided at the back of this publication. If the form has been removed, please send comments to Memorex Corporation, Department 6940, M/S 14-07, San Tomas at Central Expressway, Santa Clara, California 95052.

**© 1975, 1976 MEMOREX CORPORATION**

## **PREFACE**

This Illustrated Parts Catalog supplies all replaceable parts for 677-01, 200 Megabyte (MB) and 677-51, 100 Megabyte (MB) Disc Storage Drives.

The Catalog is divided into two sections:

- Section 1 - 677-01/51 Disc Storage Drive  
OEM Interface
- Section 2 - 677 Basic Drive

Each section contains its own Numerical Index and Recommended Spares List. Part number applies within the specific section only.

## TABLE OF CONTENTS

<b>FIGURE</b>		<b>PAGE</b>
	HOW TO USE ILLUSTRATED PARTS CATALOG .....	vi
<b>SECTION 1</b>	<b>677-01/51 DISC STORAGE DRIVE OEM INTERFACE .</b>	<b>1-1</b>
1	FEATURES AND FINAL ASM .....	1-2
2	677-01/51 DISC DRIVE .....	1-5
3	INDICATOR PANEL ASM .....	1-8
4	LOGIC GATE PCB PLUG LIST .....	1-11
5	LOGIC FILE ASM .....	1-12
6	OPERATOR CONTROL ASM .....	1-14
7	FIELD TOOLS .....	1-17
	RECOMMENDED SPARES LIST .....	1-22
	NUMERICAL INDEX .....	1-23
 <b>SECTION 2</b>	 <b>677 DISC STORAGE DRIVE .....</b>	 <b>2-1</b>
1	BASIC COVER GROUP .....	2-2
2	BASIC DRIVE .....	2-4
3	FAN ASM .....	2-10
4	GLASS DOOR ASM .....	2-11
5	DOOR LOCK ASM .....	2-12
6	DECK PLATE ASM .....	2-13
7	SHROUD ASM .....	2-20
8	PACK COVER SENSOR ASM .....	2-22
9	DRIVE MOTOR ASM .....	2-24
10	CONNECTOR BOX ASM .....	2-26
11	POWER SUPPLY ASM .....	2-28
12	CONTROL PANEL ASM .....	2-30
13	RECTIFIER ASM .....	2-32
14	HEAT SINK ASM .....	2-34
15	CAPACITOR ASM .....	2-36
16	HOUSING ASM .....	2-38
17	POWER DISTRIBUTION UNIT ASM .....	2-41
18	ARC SUPPRESSOR ASM .....	2-44
19	DRIVE CABLE ROUTING ASM .....	2-45
20	READ/WRITE PRE-AMP CABLE ASM .....	2-48
21	CONNECTOR ASM .....	2-50
22	HARNESS AND CABLE COMPONENT ASM .....	2-53
	RECOMMENDED SPARES LIST .....	2-56
	NUMERICAL INDEX .....	2-58

# HOW TO USE THE ILLUSTRATED PARTS CATALOG

## GENERAL

Illustrations will always precede their parts lists, and when possible, be on the opposite page; the exception would be on multi-page illustrations and parts lists. Blank pages will be numbered on the printed side only.

The first number in each list refers to the figure to which the list pertains **A**. The index numbers which follow refer to each part in the figure **B**. On subsequent pages of the same list, the first line repeats the figure number with the next item in the list.

The figure numbers and assemblies follow a logical sequence of breakdown. If the assembly is further detailed elsewhere in this catalog, it is referenced by figure number **C**.

Subsequent detailed figures refer back to the next higher assembly (NHA) **D**. Assemblies not detailed can be purchased only as complete assemblies.

## LEVEL OF ASSEMBLY

The indented parts list indicates the subordination of major assemblies, subassemblies, detail parts, and attaching parts. The top assembly in each parts

list is level 1 **E**. Descriptions preceded by a single dot are second level assemblies or details which are subordinate to those not preceded by a dot **F**. Descriptions for levels 3 and 4, preceded by two or more dots, are subordinate to level 2, or those preceded by one dot **G**.

## ATTACHING PARTS

Attaching parts will immediately follow the item they attach and will be identified by an asterisk after the index number **H**.

## USABLE ON CODE

Usable On Codes identify all related parts **I**. The code relationships are explained at the beginning of each list **J**. If there is no code identified, the specific part is interchangeable with all codes.

## NUMERICAL INDEX

The numerical index lists all part numbers in numerical order. The part number is cross referenced to each figure and index number where the part can be found in this catalog.

FIGURE & INDEX NUMBER	PART NUMBER	DESCRIPTION				QTY PER ASSY	USABLE ON CODE
		1	2	3	4		
<b>A</b> 3		CODE A - USED ON 210700 ONLY CODE B - USED ON 210701 ONLY CODE C - USED ON 210702 ONLY CODE 1 - ITEMS ARE UNDER EQUIPMENT LEVEL CONTROL OR FEATURE FUNCTIONAL LEVEL CONTROL. PART NUMBERS GIVEN ON THIS LIST MAY NOT BE AT LATEST LEVEL. CHECK APPLICABLE CHART BEFORE MAKING REPLACEMENT.					
<b>E</b>	210700	BASIC DRIVE ASM. 60 HZ. 208/230 VAC (SEE FIG. 1-81 FOR NHA)				REF	<b>J</b>
<b>F</b>	210701	BASIC DRIVE ASM. 50 HZ. 380 VAC (SEE FIG. 1-81 FOR NHA)				REF	<b>J</b>
<b>B</b>	210702	BASIC DRIVE ASM. 50 HZ. 220 VAC (SEE FIG. 1-81 FOR NHA)				REF	<b>J</b>
<b>H</b>	-1 211884	DUCT ASM. AIR				2	
	-2 211885	CLAMP, AIR DUCT				4	
	-3 211882	SHROUD ASM (SEE FIG. 4 FOR BREAKDOWN)				2	
	-4* 111159	SCREW, BUTTON HD., HEX SOCKET, 10-32 x 250				8	
	-5* 110043	COVER-SCREW ASM				4	
	-6 211389	CAM				2	
	-7 211046	SCREW, BH. 4-40 x 375				2	
	-8* 111547	CAM TOWER				4	
	-9* 211167	SPACER, AIR DEFLECT				4	
	-10 211169	CLIP ASM, RETAINING				4	

**SECTION 1**

**677-01/51 DISC STORAGE DRIVE**

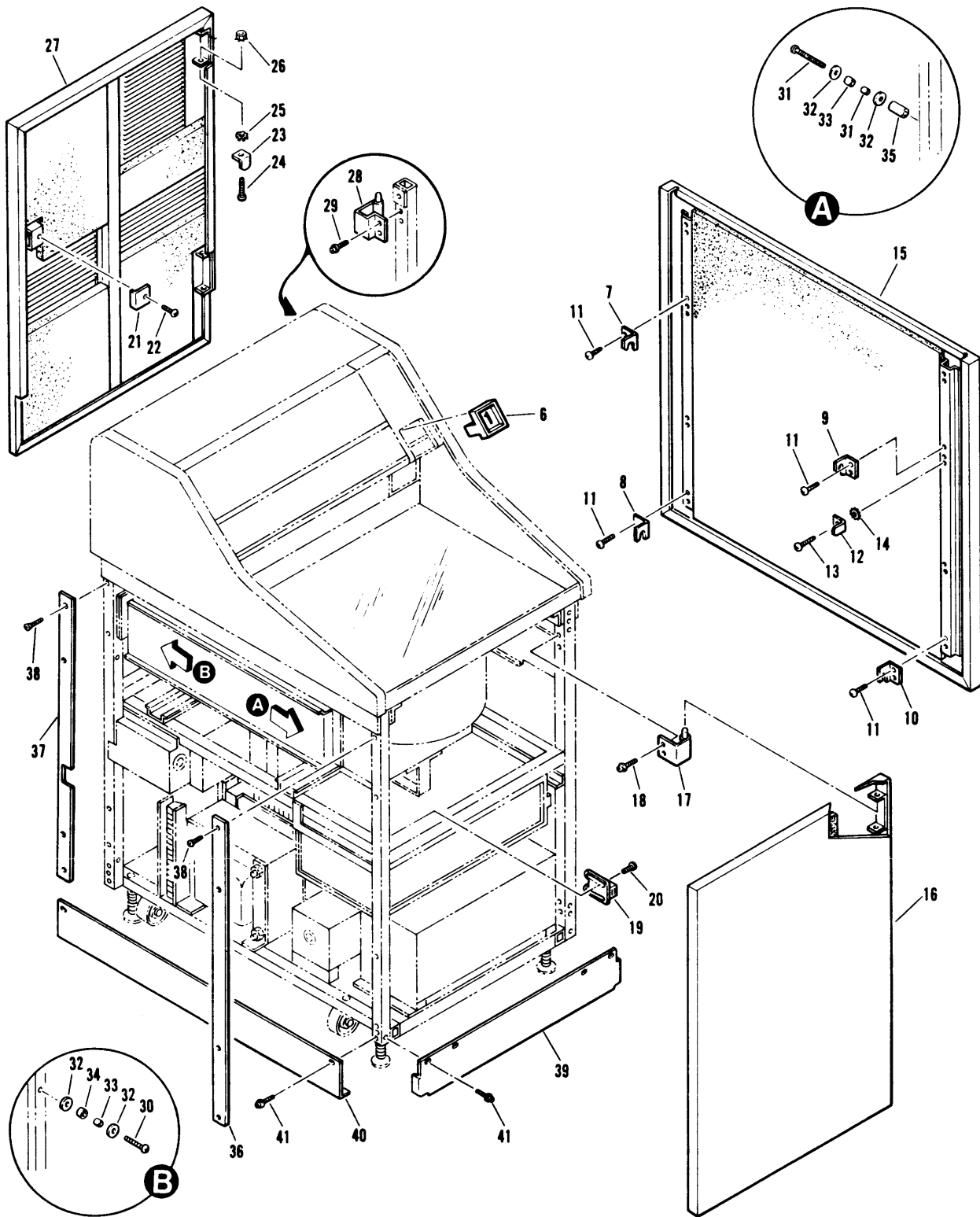


FIGURE 1. FEATURES AND FINAL ASM



FIGURE & INDEX NUMBER	PART NUMBER	DESCRIPTION				QTY PER ASSY	USABLE ON CODE
		1	2	3	4		
1-		CODE A - USED ON 60HZ, 100 MB MACHINES ONLY CODE B - USED ON 50HZ, 100 MB MACHINES ONLY CODE C - USED ON 60HZ, 200 MB MACHINES ONLY CODE D - USED ON 50HZ, 200 MB MACHINES ONLY					
-	NO NO. 890085	FEATURES AND FINAL ASM				REF	
		MACHINE FEATURES INDEX				1	
-1	215844	677-51 DISC DRIVE, 100 MB, 60HZ, 208 - 240 V				1	A
-1	215845	677-51 DISC DRIVE, 100 MB, 50HZ, 208 - 420 V				1	B
-1	215752	677-01 DISC DRIVE, 200 MB, 60HZ, 208 - 240 V				1	C
-1	215753	677-01 DISC DRIVE, 200 MB, 50HZ, 208 - 420 V (SEE SEC. 1 FIG. 2 FOR BREAKDOWN)				1	D
-2	215730	BASIC COVER GROUP ASM (SEE SEC. 2 FIG. 1 FOR BREAKDOWN)				1	
-3	215841	BASIC DISC DRIVE, 100 MB, 60HZ, 208 - 240 V				1	A
-3	215842	BASIC DISC DRIVE, 100 MB, 50HZ, 208 - 420 V				1	B
-3	215601	BASIC DISC DRIVE, 200 MB, 60HZ, 208 - 240 V				1	C
-3	215602	BASIC DISC DRIVE, 200 MB, 50HZ, 208 - 420 V (SEE SEC. 2 FIG. 2 FOR BREAKDOWN)				1	D
-4	215778	SHIPPING GROUP				1	
-5	215899	CABLE ASM, AC, DRIVE TO DCL (SEE SEC. 2 FIG. 22-9, 11, 27 AND 29 FOR DETAILS)				1	
		ITEMS 1 THRU 5 ARE NOT ILLUSTRATED AT THIS LEVEL					
-6	215890	LOGICAL ADDRESS PLUG (LAP), "0"				A/R	A,B
-6	215891	LOGICAL ADDRESS PLUG (LAP), "1"				A/R	A,B
-6	215892	LOGICAL ADDRESS PLUG (LAP), "2"				A/R	A,B
-6	215893	LOGICAL ADDRESS PLUG (LAP), "3"				A/R	A,B
-6	215894	LOGICAL ADDRESS PLUG (LAP), "4"				A/R	A,B
-6	215895	LOGICAL ADDRESS PLUG (LAP), "5"				A/R	A,B
-6	215896	LOGICAL ADDRESS PLUG (LAP), "6"				A/R	A,B
-6	215897	LOGICAL ADDRESS PLUG (LAP), "7"				A/R	A,B
-6	215230	LOGICAL ADDRESS PLUG (LAP), "0"				A/R	C,D
-6	215231	LOGICAL ADDRESS PLUG (LAP), "1"				A/R	C,D
-6	215232	LOGICAL ADDRESS PLUG (LAP), "2"				A/R	C,D
-6	215233	LOGICAL ADDRESS PLUG (LAP), "3"				A/R	C,D
-6	215234	LOGICAL ADDRESS PLUG (LAP), "4"				A/R	C,D
-6	215235	LOGICAL ADDRESS PLUG (LAP), "5"				A/R	C,D
-6	215236	LOGICAL ADDRESS PLUG (LAP), "6"				A/R	C,D
-6	215237	LOGICAL ADDRESS PLUG (LAP), "7"				A/R	C,D
-6	308533	LOGICAL ADDRESS PLUG (LAP), "S", SERVICE TO BE USED FOR SERVICING ONLY				A/R	C,D
-	215773	COVER ASM (EC 3834)				1	
-7	216810	BRACKET, COVER, UPPER				2	
-8	216813	BRACKET, COVER, LOWER				2	
-9	216812	BRACKET, COVER, UPPER				2	
-10	216811	BRACKET, COVER, LOWER				2	
-11*	110128	SCREW, BH, 8-32 X 0.312 ATTACHING PARTS FOR ITEMS 7, 8, 9 AND 10				16	
-12	150098	TERMINAL, TAB, 0.25, RIGHT ANGLE				2	
-13*	110128	SCREW, BH, 8-32 X 0.312				2	
-14	110381	WASHER, LOCK, EXTERNAL TOOTH, NO. 8				2	
-15	216823	COVER, SIDE, LEFT/RIGHT, WHITE				2	
-16	215630	COVER, FRONT, BLACK				1	

FIGURE & INDEX NUMBER	PART NUMBER	DESCRIPTION				QTY PER ASSY	USABLE ON CODE
		1	2	3	4		
1-17	215786	.	.	.	HINGE, FRONT	2	
-18*	700563	.	.	.	SCREW, THREADFORMING, 8-32 X 0.375	4	
-19	200129	.	.	.	LATCH, MAGNETIC	2	
-20*	110079	.	.	.	SCREW, BH, 6-32 X 0.25	4	
-21	210743	.	.	.	PLATE, STRIKER	2	
-22*	111592	.	.	.	SCREW, PAN HD, THREADFORMING, 6-20 X 0.25	2	
-23	150098	.	.	.	TERMINAL, TAB, 0.25, RIGHT ANGLE	2	
-24*	110064	.	.	.	SCREW, FILLISTER HD, 6-32 X 0.312	2	
-25*	110380	.	.	.	WASHER, LOCK, EXTERNAL TOOTH, NO. 6	2	
-26*	110841	.	.	.	NUT, HEX, KEPS, 6-32	2	
-27	215631	.	.	.	COVER, REAR, BLACK	1	
-28	215785	.	.	.	HINGE, REAR	2	
-29*	700563	.	.	.	SCREW, THREADFORMING, 8-32 X 0.375	4	
-30	110132	.	.	.	SCREW, BH, 8-32 X 0.625	4	
-31	110137	.	.	.	SCREW, BH, 8-32 X 1.25	4	
-32	216816	.	.	.	SPACER, COVER	16	
-33	216814	.	.	.	SLEEVE, COVER	8	
-34	216817	.	.	.	GUIDE, COVER	8	
-35	210980	.	.	.	SPACER, COVER	4	
-36	215784	.	.	.	SPACER, BAR, FRONT	2	
-37	216818	.	.	.	SPACER, BAR, REAR	2	
-38*	110148	.	.	.	SCREW, 82° FLAT HD, 8-32 X 0.5 ATTACHING PARTS FOR ITEMS 36 AND 37	8	
-39	215611	.	.	.	PANEL, KICK, FRONT/REAR	2	
-40	216815	.	.	.	PANEL, KICK, SIDES	2	
-41*	110126	.	.	.	SCREW, BH, 8-32 X 0.188 ATTACHING PARTS FOR ITEMS 39 AND 40		

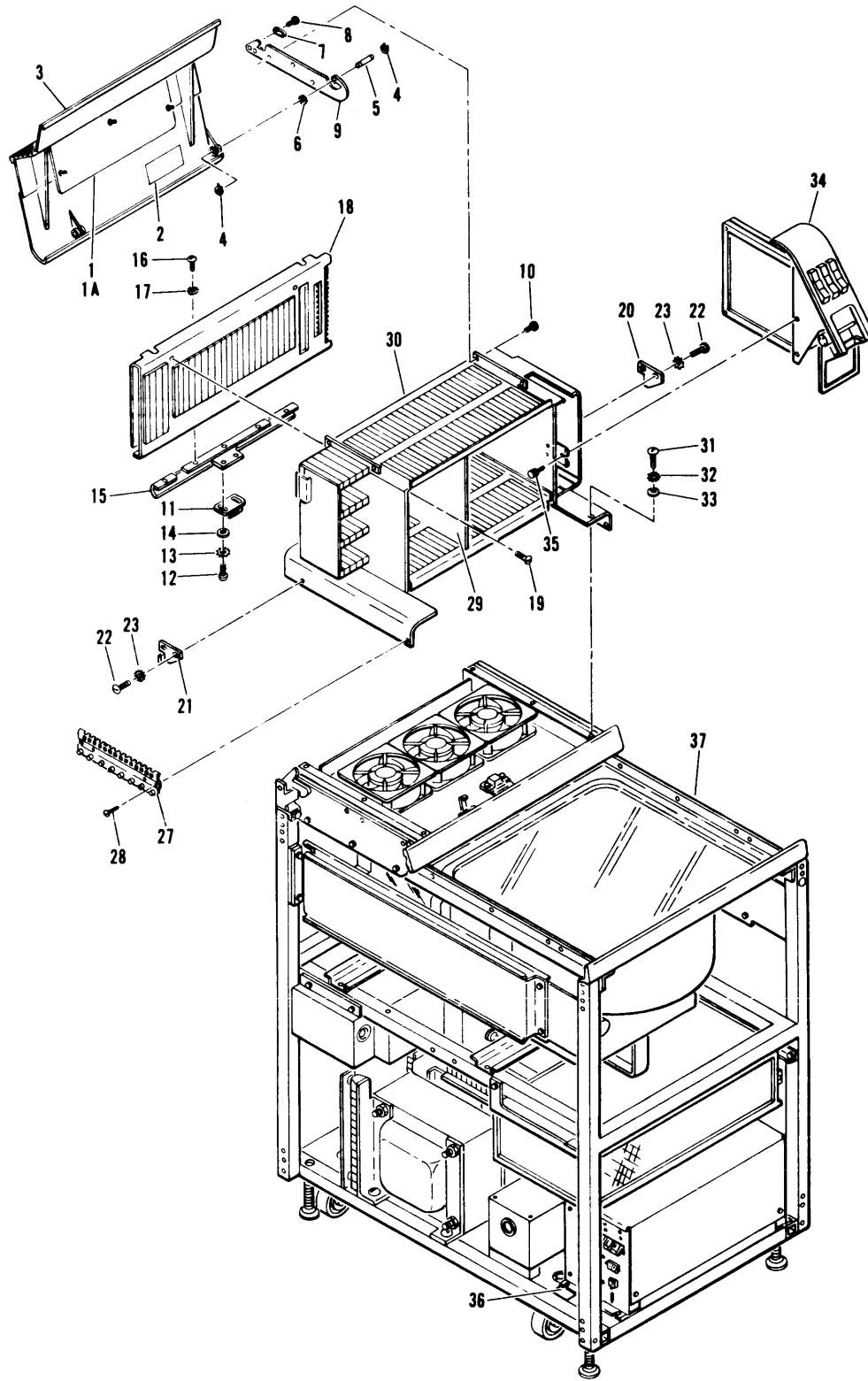


FIGURE 2. 677-01/51 DISC DRIVE

FIGURE & INDEX NUMBER	PART NUMBER	DESCRIPTION	QTY	USABLE
			PER ASSY	ON CODE
2-		CODE A - USED ON 215844 ONLY CODE B - USED ON 215845 ONLY CODE C - USED ON 215752 ONLY CODE D - USED ON 215753 ONLY		
-	215844	677 - 51 DISC DRIVE, 100 MB, 60HZ, 208 - 240V	REF	A
-	215845	677 - 51 DISC DRIVE, 100 MB, 50HZ, 208 - 420V	REF	B
-	215752	677 - 01 DISC DRIVE, 200 MB, 60HZ, 208 - 240V	REF	C
-	215753	677 - 01 DISC DRIVE, 200 MB, 50HZ, 208 - 420V	REF	D
-1	012931	. PCB ASM, LAMP MATRIX		
-1A	601363	. . LAMPS	A/R	
-2	211391	. LABEL, CAUTION, POWER DOWN	1	
-3	215875	. INDICATOR PANEL ASM, 100 MB (SEE SEC. 1 FIG. 3 FOR BREAKDOWN)	1	A,B
-3	215609	. INDICATOR PANEL ASM, 200 MB (SEE SEC. 1 FIG. 3 FOR BREAKDOWN)	1	C,D
-4	111262	. RING, RETAINING	4	
-5	210390	. PIN, HINGE	2	
-6	110867	. WASHER, FLAT, NYLON	A/R	
-7	211568	. PLATE, ADJUSTMENT	2	
-8*	110078	. SCREW, BH, 6-32 X 0.188	4	
-9	210755	. HINGE, PANEL	2	
-10*	110128	. SCREW, BH, 8-32 X 0.312	4	
-11	112322	. CATCH, MAGNETIC	1	
-12*	110078	. SCREW, BH, 6-32 X 0.188	2	
-13*	110380	. WASHER, LOCK, EXTERNAL TOOTH, NO. 6	2	
-14*	110362	. WASHER, FLAT, NO. 6	2	
-15	211585	. HANDLE, LOGIC FILE	1	
-16*	110079	. SCREW, BH, 6-32 X 0.188	5	
-17*	110380	. WASHER, LOCK, EXTERNAL TOOTH, NO. 6	5	
-18	215756	. BACK PANEL ASM	1	
-19*	111542	. SCREW, PAN HD, 8-32 X 0.188	4	
-20	211299	. BRACKET, CATCH, RIGHT	1	
-21	211300	. BRACKET, CATCH, LEFT	1	
-22*	110079	. SCREW, BH, 6-32 X 0.188	4	
-23*	110380	. WASHER, LOCK, EXTERNAL TOOTH, NO. 6	4	
		ITEMS 22 AND 23 ARE ATTACHING PARTS FOR ITEMS 20 AND 21		
-24	NO NO.	NOT ASSIGNED		
-25	NO NO.	NOT ASSIGNED		
-26	NO NO.	NOT ASSIGNED		
-27	210961	. BASE, CABLE STRAIN RELIEF	1	
-28*	110079	. SCREW, BH, 6-32 X 0.188	2	
-29	215851	. PCB PLUG LIST, LOGIC GATE, 100 MB (SEE SEC. 1 FIG. 4 FOR BREAKDOWN)	1	A,B
-29	215760	. PCB PLUG LIST, LOGIC GATE, 200 MB (SEE SEC. 1 FIG. 4 FOR BREAKDOWN)	1	C,D
-30	215608	. LOGIC FILE ASM (SEE SEC. 1 FIG. 5 FOR BREAKDOWN)	1	
-31*	110127	. SCREW, BH, 8-32 X 0.25	6	
-32*	110381	. WASHER, LOCK, EXTERNAL TOOTH, 8-32	6	
-33*	110368	. WASHER, FLAT, CADMIUM PLATED	6	
-34	215607	. OPERATOR CONTROL ASM. (SEE SEC. 1 FIG. 6 FOR BREAKDOWN)	1	
-35*	200044	. SCREW, THUMB, KNURLED, 8-32 X 0.375	1	
-36	215623	. TECH DATA TAG, 60HZ	1	A,C

FIGURE & INDEX NUMBER	PART NUMBER	DESCRIPTION 1 2 3 4	QTY PER ASSY	USABLE ON CODE
2-37	215841	. BASIC DRIVE, 100 MB, 60HZ, 208 - 240V (SEE SEC. 2 FIG. 2 FOR BREAKDOWN)	1	A
-37	215842	. BASIC DRIVE, 100 MB, 50HZ, 208 - 420V (SEE SEC. 2 FIG. 2 FOR BREAKDOWN)	1	B
-37	215601	. BASIC DRIVE, 200 MB, 60HZ, 208 - 240V (SEE SEC. 2 FIG. 2 FOR BREAKDOWN)	1	C
-37	215602	. BASIC DRIVE, 200 MB, 50HZ, 208 - 420V (SEE SEC. 2 FIG. 2 FOR BREAKDOWN)	1	D

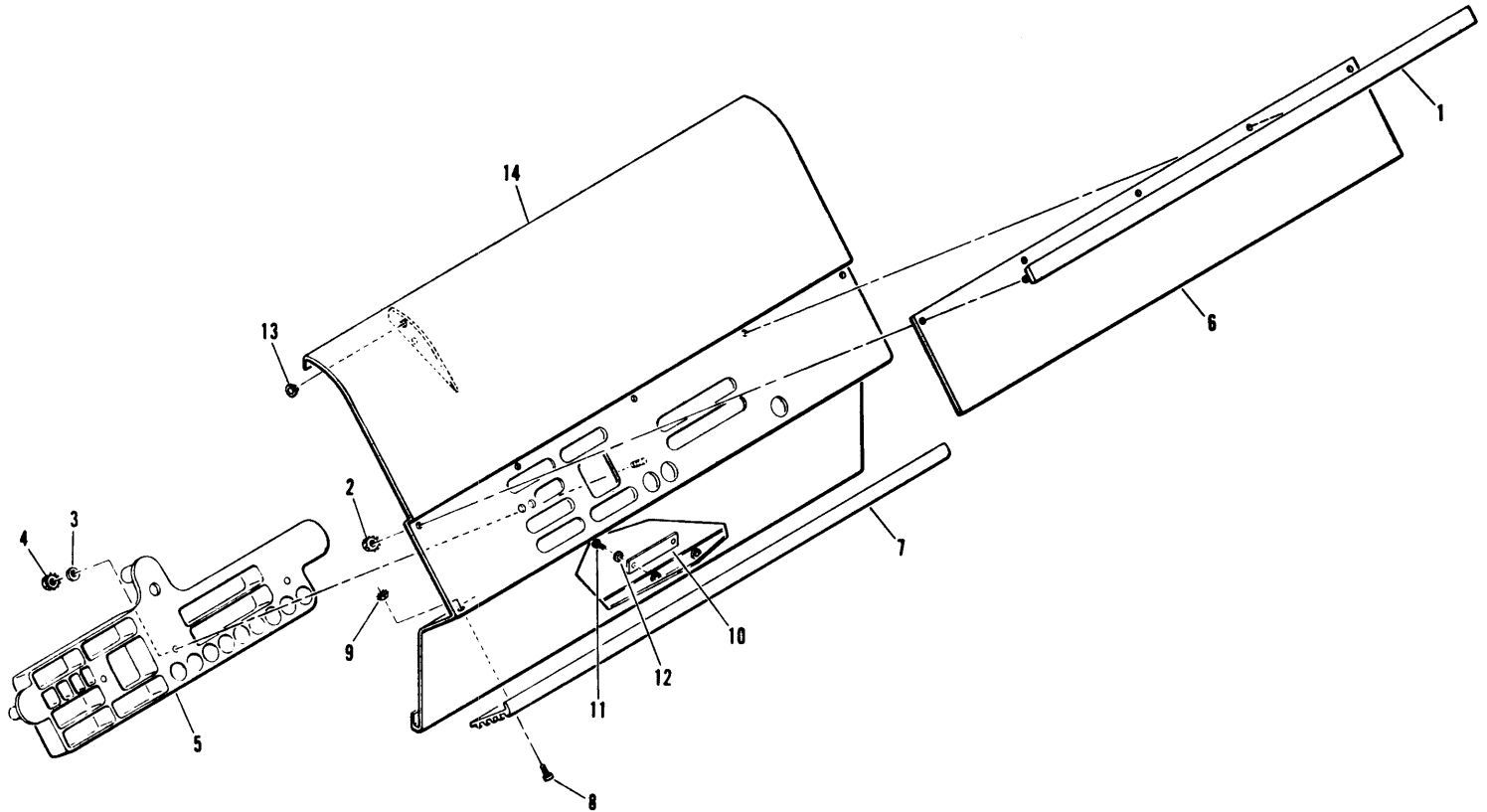


FIGURE 3. INDICATOR PANEL ASM

FIGURE & INDEX NUMBER	PART NUMBER	DESCRIPTION				QTY PER ASSY	USABLE ON CODE
		1	2	3	4		
3-		CODE A - USED ON 215875 ONLY CODE B - USED ON 215609 ONLY					
-	-215875	INDICATOR PANEL ASM, 100 MB (SEE SEC. 1 FIG. 2-3 FOR NHA)				REF	A
-	-215609	INDICATOR PANEL ASM, 200 MB (SEE SEC. 1 FIG. 2-3 FOR NHA)				REF	B
-1	210850	. STRIP, TRIM				1	
-2*	110840	. NUT, HEX, KEPS, 4-40				5	
-3*	110362	. WASHER, FLAT, NO. 6				1	
-4*	110841	. NUT, HEX, KEPS, 6-32				4	
-5	215794	. BAFFLE, LIGHT				1	
-6	215874	. PANEL, DISPLAY, 100 MB				1	A
-6	215745	. PANEL, DISPLAY, 200 MB				1	B
-7	210849	. TRIM, PANEL				1	
-8*	701391	. SCREW, BH, 4-40 X 0.312				5	
-9*	110840	. NUT, HEX, KEPS, 4-40				5	
-10	210744	. PLATE, STRIKER				1	
-11*	110040	. SCREW, BH, 4-40 X 0.188				2	
-12*	110379	. WASHER, LOCK, EXTERNAL TOOTH, NO. 4				2	
-13	210391	. SPACER, HINGE				2	
-14	210235	. PANEL, INDICATOR				1	

PCB POSITION																					
D01	D02	D03	D04	D05	D06	D07	D08	D09	D10	D11	D12	D13	D14	D15	D16	D17	D18	D19	D20	D21	D22
INPUT	OPUT	PRCO	INDX	VFO	NOT USED	NOT USED	NOT USED	NOT USED	SEOU	SVTL	NOT USED	NOT USED	VSER	PSEB	READ WRITE CABLE (SEE SEC 2 FIG 20)	WLOG	LINA	DTEC	DSHS	NOT USED	OCOM (SEE SEC 1 FIG 6)
1	2	3	4	5					6	7			8	9		10	11	12	13		14
INDEX NUMBER																					

FIGURE 4. LOGIC GATE PCB PLUG LIST

FIGURE & INDEX NUMBER	PART NUMBER	DESCRIPTION				QTY PER ASSY	USABLE ON CODE
		1	2	3	4		
4-		CODE A - USED ON 215851 ONLY CODE B - USED ON 215760 ONLY					
-	215851	PCB PLUG LIST, LOGIC GATE, 100 MB (SEE SEC. 1 FIG. 2-29 FOR NHA)				REF	A
-	215760	PCB PLUG LIST, LOGIC GATE, 200 MB (SEE SEC. 1 FIG. 2-29 FOR NHA)				REF	B
-1	012906 ✓	PCB ASM, INPUT				1	
-2	012911 ✓	PCB ASM, OUTPUT				1	
-3	012861 ✓	PCB ASM, PRECOMPENSATION				1	
-4	012871 ✓	PCB ASM, INDEX				1	
-5	012856 ✓	PCB ASM, VARIABLE FREQUENCY OSCILLATOR				1	
-6	012916 ✓	PCB ASM, SEQUENCE				1	
-7	012921 ✓	PCB ASM, SERVO CONTROL				1	
-8	013086 ✓	PCB ASM, VELOCITY SERVO, 100 MB				1	A
-8	012476 ✓	PCB ASM, VELOCITY SERVO, 200 MB				1	B
-9	013091 ✓	PCB ASM, POSITION SERVO, 100 MB				1	A
-9	012481 ✓	PCB ASM, POSITION SERVO, 200 MB				1	B
-10	013096 ✓	PCB ASM, WRITE LOGIC, 100 MB				1	A
-10	012746 ✓	PCB ASM, WRITE LOGIC, 200 MB				1	B
-11	011706 ✓	PCB ASM, LINEAR AMPLIFIER				1	
-12	012431 ✓	PCB ASM, DETECTOR AND SELECT				1	
-13	012851 ✓	PCB ASM, DATA SAFETY AND HEAD SELECT				1	
-14	215607 ✓	OPERATOR CONTROL ASM				1	



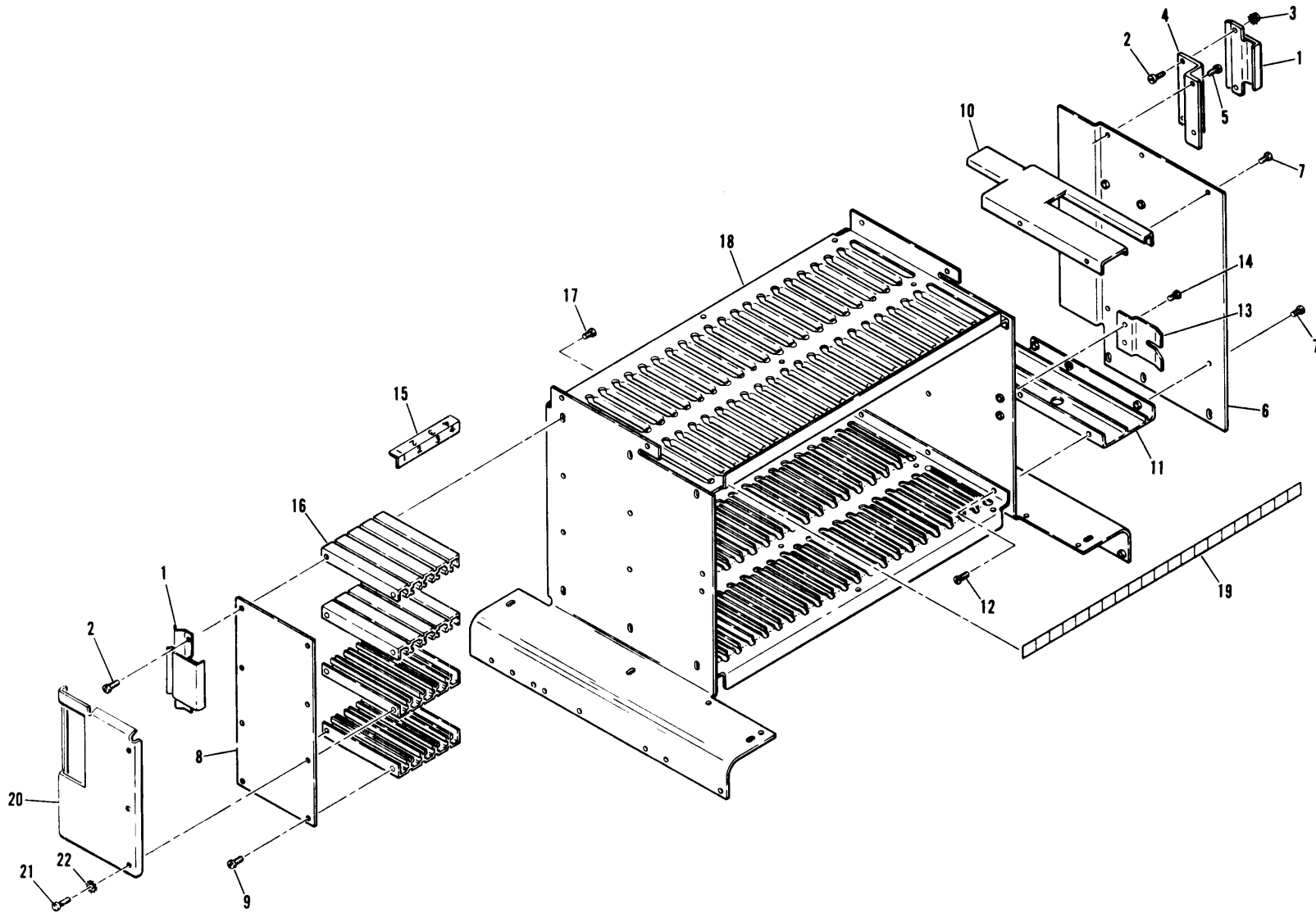


FIGURE 5. LOGIC FILE ASM

FIGURE & INDEX NUMBER	PART NUMBER	DESCRIPTION				QTY PER ASSY	USABLE ON CODE
		1	2	3	4		
5-	215608	LOGIC FILE ASM (SEE SEC. 1 FIG. 2-30 FOR NHA)				REF	
-1	211556	. BRACKET, RETAINER				2	
-2*	110080	. SCREW, BH, 6-32 X 0.312				4	
-3*	110841	. NUT, HEX, KEPS, 6-32				2	
-4	215619	. BRACKET, RETAINER				1	
-5*	110080	. SCREW, BH, 6-32 X 0.312				2	
-6	210373	. SUPPORT, OPERATOR CONTROL				1	
-7*	110080	. SCREW, BH, 6-32 X 0.312				4	
-8	210200	. PLATE, PADDLE CARD				1	
-9*	110080	. SCREW, BH, 6-32 X 0.312				6	
-10	210734	. CARD GUIDE, UPPER RIGHT				1	
-11	210736	. CARD GUIDE, LOWER RIGHT				1	
-12*	110080	. SCREW, BH, 6-32 X 0.312 ATTACHING PARTS FOR ITEMS 10 AND 11				4	
-13	210912	. LATCH, OPERATOR CONTROL				1	
-14*	110080	. SCREW, BH, 6-32 X 0.312				2	
-15	211406	. MARKER STRIP				1	
-16	210199	. BAR, PADDLE CARD				4	
-17*	110080	. SCREW, BH, 6-32 X 0.312				8	
-18	211133	. WELDMENT ASM, LOGIC FILE				1	
		THESE ITEMS ARE NOT A PART OF THIS ASSEMBLY					
-19	215616	MARKER STRIP, LOGIC FILE				1	
-20	216821	BRACKET, FLAT CABLE				1	
-21*	110083	SCREW, BH, 6-32 X 0.5				3	
-22*	110380	WASHER, LOCK, EXTERNAL TOOTH				3	

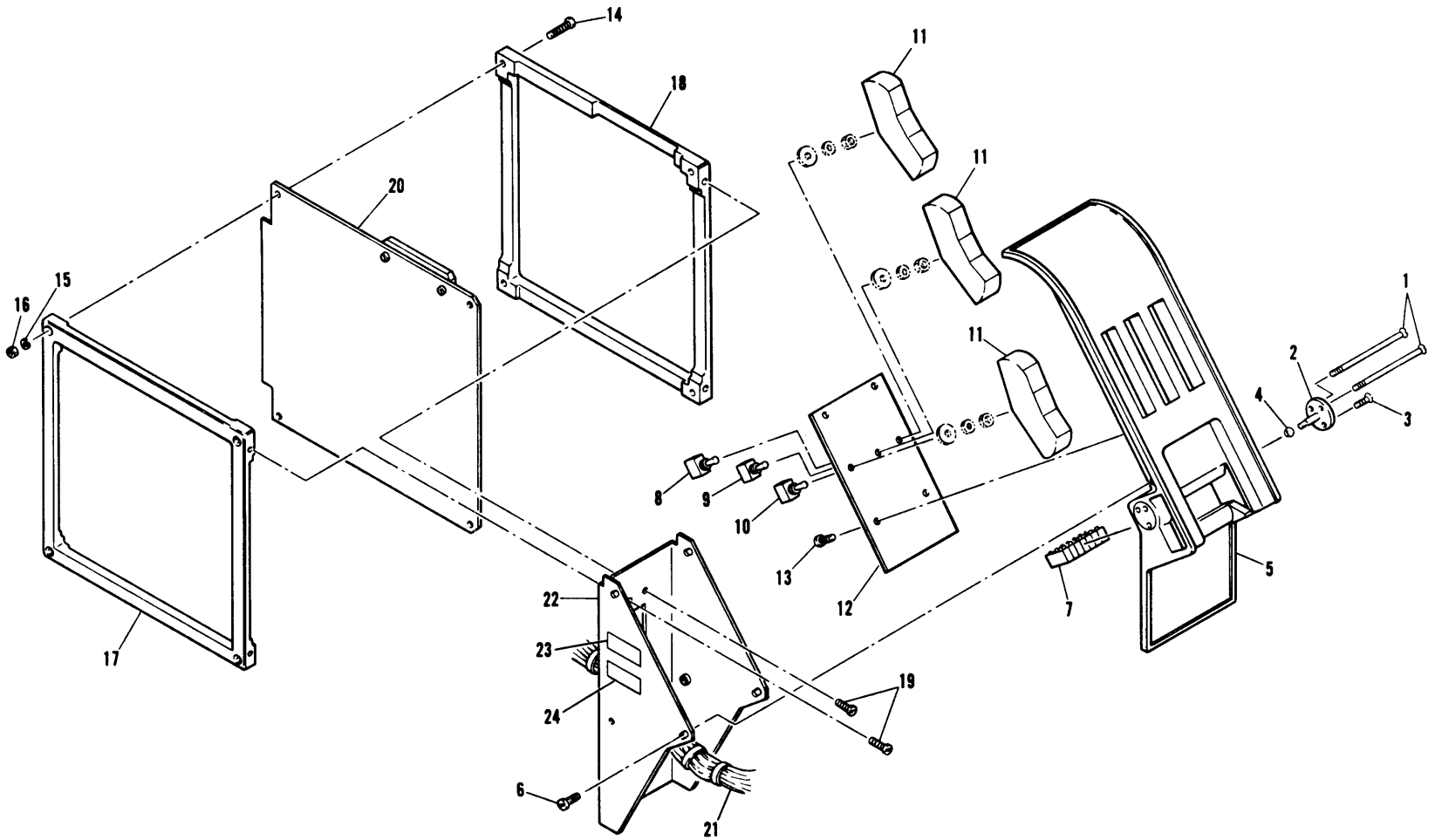


FIGURE 6. OPERATOR CONTROL ASM

FIGURE & INDEX NUMBER	PART NUMBER	DESCRIPTION				QTY PER ASSY	USABLE ON CODE
		1	2	3	4		
6-	215607	OPERATOR CONTROL ASM (SEE SEC. 1 FIG. 2-34 FOR NHA)				REF	
-1	210363	.	ROD, UNIT NUMBER			2	
-2	210794	.	STUD, ROLLER			2	
-3*	110022	.	SCREW, 82° FLATHEAD, 2-56 X 0.312			4	
-4	210795	.	ROLLER, NUMBER PLUG DETENT			2	
-5	215820	.	HOUSING, OPERATOR CONTROL			1	
-6*	110080	.	SCREW, BH, 6-32 X 0.312			4	
-7	158792	.	SWITCH, SUBMINIATURE			6	
-8	159107	.	SWITCH, TOGGLE, DPDT			1	
-9	158803	.	SWITCH, TOGGLE, SPDT			1	
-10	158951	.	SWITCH, TOGGLE, SPDT			1	
-11	210382	.	BAR, ROCKER SWITCH			3	
-12	210385	.	PLATE, ROCKER SWITCH			1	
-13*	110041	.	SCREW, BH, 4-40 X 0.25			4	
-14*	110047	.	SCREW, BH, 4-40 X 0.75			4	
-15*	110370	.	WASHER, LOCK, NO. 4			4	
-16*	110573	.	NUT, HEX, 4-40			4	
-17	210851	.	FRAME, LEFT			1	
-18	210891	.	FRAME, RIGHT			1	
-19*	110080	.	SCREW, BH, 6-32 X 0.312			4	
			ATTACHING PARTS FOR INDEX NOS. 17 AND 18				
-20	012926	.	PC BOARD ASM, OPERATOR CONTROL			1	
-21	210359	.	CABLE ASM, OPERATOR CONTROL			1	
-22	210371	.	SUPPORT, OPERATOR CONTROL			1	
-23	211411	.	LABEL, P/N MARKER			1	
-24	201416	.	MARKER, EC LEVEL			1	

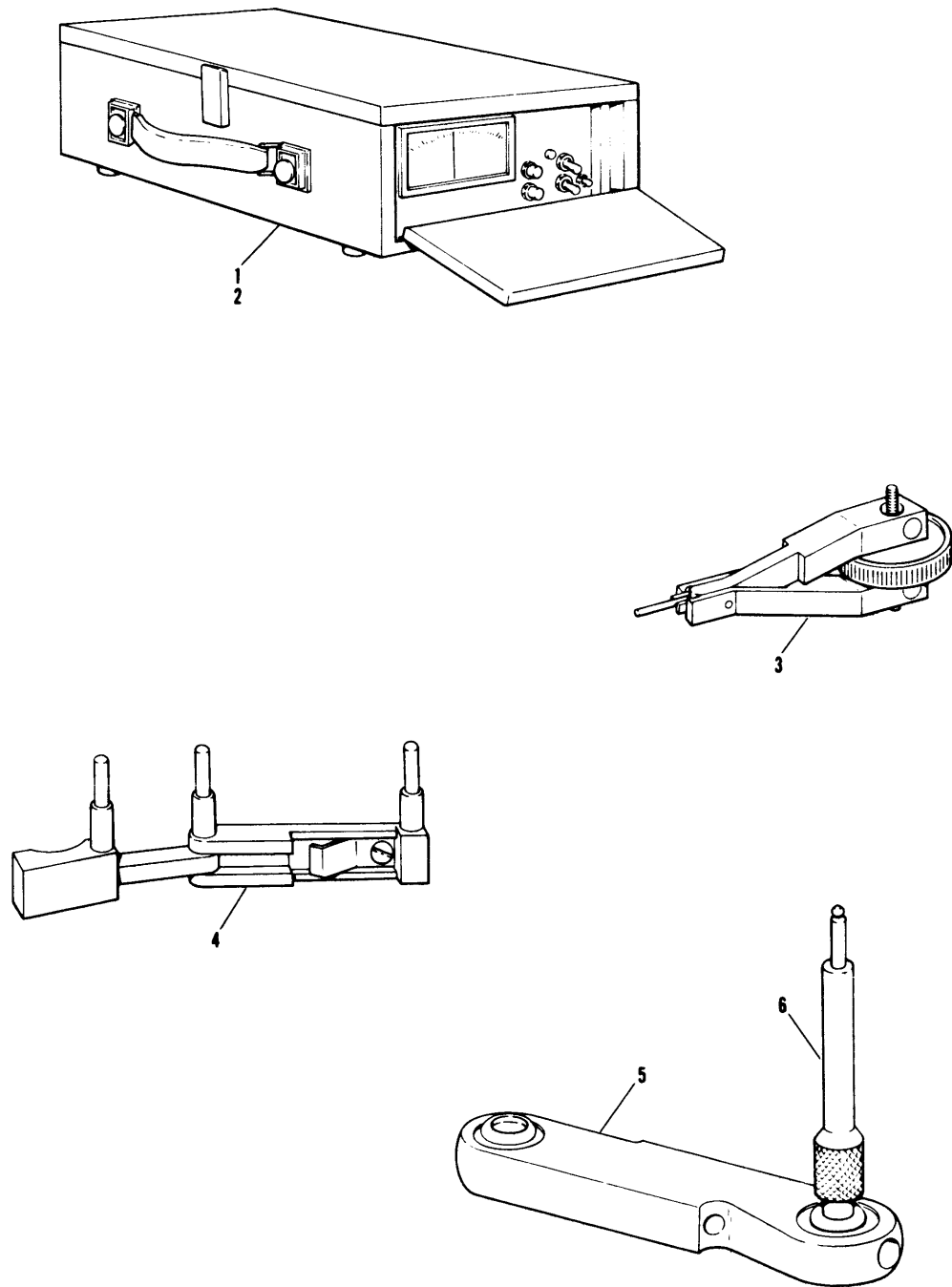


FIGURE 7. FIELD TOOLS (SHEET 1 OF 4)

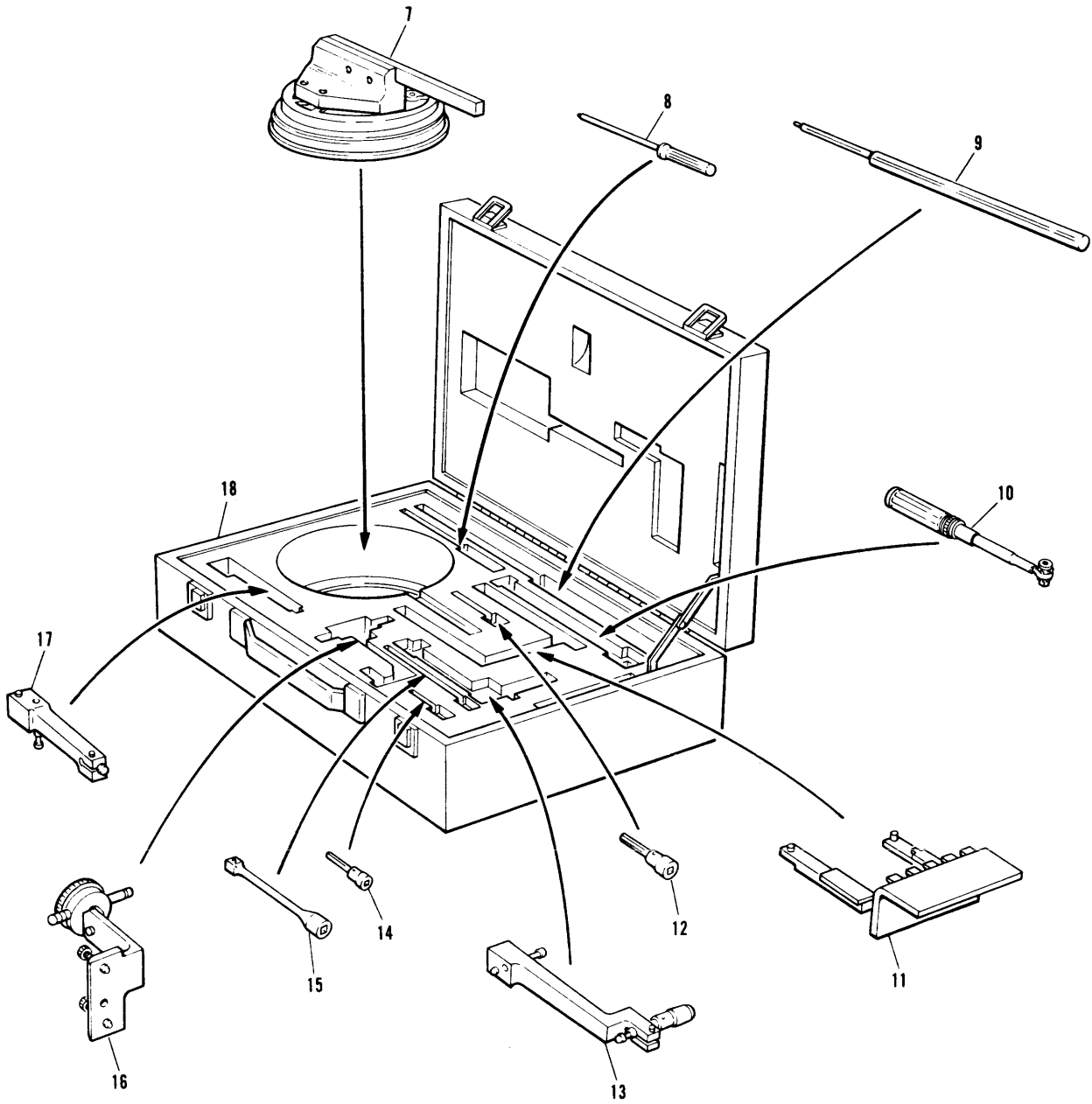


FIGURE 7. FIELD TOOLS (SHEET 2 OF 4)

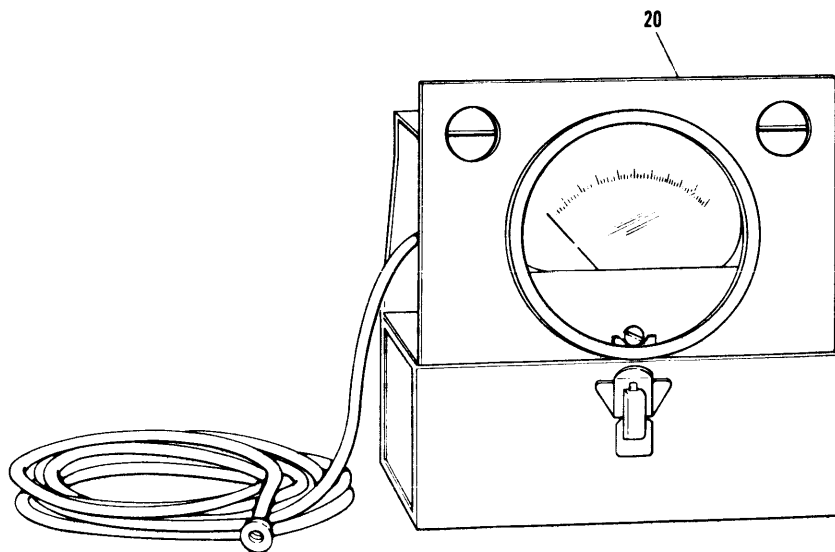
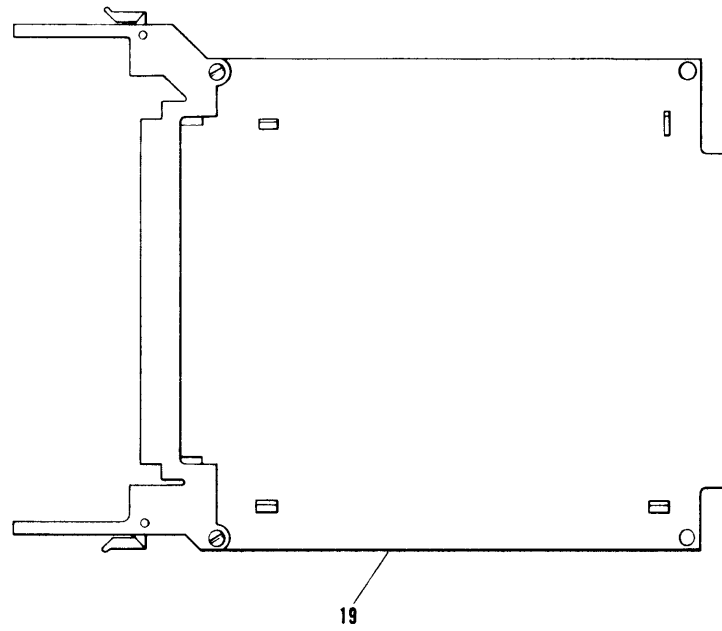


FIGURE 7. FIELD TOOLS (SHEET 3 OF 4)

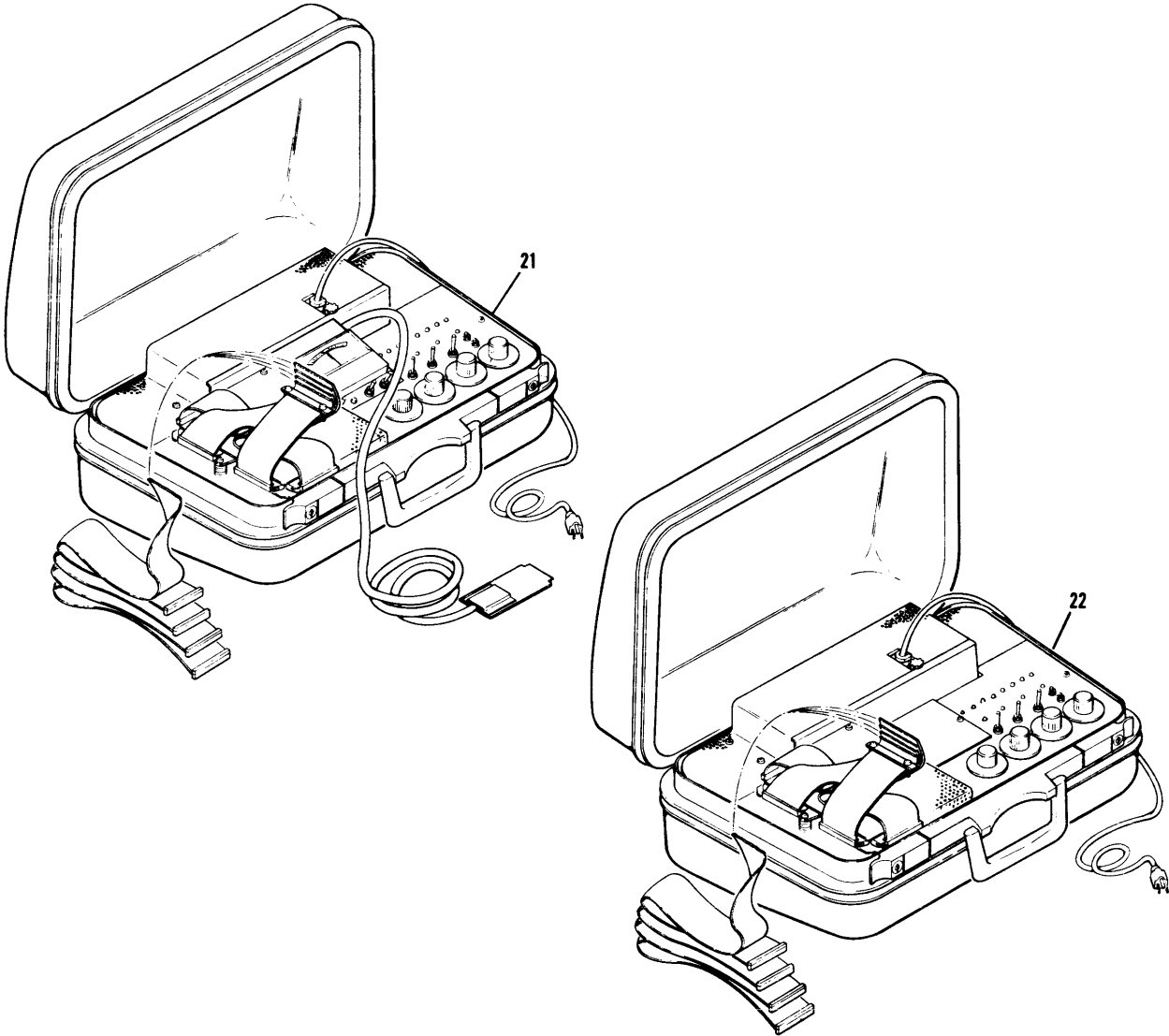


FIGURE 7. FIELD TOOLS (SHEET 4 OF 4)

FIGURE & INDEX NUMBER	PART NUMBER	DESCRIPTION				QTY PER ASSY	USABLE ON CODE
		1	2	3	4		
7-		CODE A - USED ON 100 MB MACHINES ONLY CODE B - USED ON 200 MB MACHINES ONLY					
-	NO. NO.	FIELD TOOLS				REF	
-	215970	. HEAD ALIGNMENT KIT				1	
-1	211292	. . HEAD ALIGNMENT UNIT CASE				1	
-2	211499	. . INSERT, FOAM				1	
-3	211526	. . HEAD ALIGNMENT TOOL				1	
-4	210105	. . HEAD INSTALLATION TOOL				1	



FIGURE & INDEX NUMBER	PART NUMBER	DESCRIPTION				QTY PER ASSY	USABLE ON CODE
		1	2	3	4		
7-5	210109	. .	HEAD TORQUE TOOL			1	
-6	211516	. .	TORQUE SHAFT, REPLACEMENT			1	
-	215971	. .	MECHANICAL ALIGNMENT KIT			1	
-7	215281	. .	BRACKET ASM, DISTANCE SETTING			1	
-8	211503	. .	ALLEN DRIVER			1	
-9	211409	. .	ALIGNMENT ROD, LINEAR MOTOR			1	
-10	203174	. .	TORQUE WRENCH			1	
-11	211372	. .	HEAD SEPARATOR TOOL			1	
-12	203177	. .	ALLEN HEX DRIVE, 0.25			1	
-13	215285	. .	ARM, SETTING GAUGE			1	
-14	203176	. .	ALLEN HEX DRIVE, 0.156			1	
-15	203175	. .	DRIVE EXTENSION, 0.375			1	
-16	215287	. .	INDICATOR ASM, WAY			1	
-17	215286	. .	CHECK PROBE, WAY			1	
-18	215289	. .	CASE, ALIGNMENT KIT			1	
-19	011086	. .	PCB EXTENDER			1	
-20	211633	. .	ABSOLUTE FILTER GAUGE			1	
-21	215935	. .	800 DISC STORAGE SUBSYSTEM TESTER, WITH HEAD ALIGNMENT			1	
-22	215900	. .	800 DISC STORAGE SUBSYSTEM TESTER, WITHOUT HEAD ALIGNMENT			1	
			SEE 800 TESTER SERVICE MANUAL FOR TESTER PARTS REPLACEMENT.				
			800 TESTER DOES NOT INCLUDE INDEX NUMBERS 3, 4, 5, AND 6 OF THIS FIGURE				
-23	202159	. .	HEAD CLEANING KIT			1	
-24	320100	. .	CE PACK			1	A
-24	335001	. .	CE PACK			1	B
			ITEMS 23 AND 24 ARE NOT ILLUSTRATED				

RECOMMENDED SPARES LIST

677-01/51

FIGURE & INDEX NUMBER	PART NUMBER	DESCRIPTION	QTY PER ASSY	USABLE ON CODE
		CODE A - USED ON 677-51 (100 MB) DRIVES ONLY CODE B - USED ON 677-01 (200 MB) DRIVES ONLY		
	011706	PCB ASM, LINEAR AMPLIFIER	1	
	012431	PCB ASM, DETECTOR AND SELECT	1	
	012476	PCB ASM, VELOCITY SERVO, 200 MB	1	B
	012481	PCB ASM, POSITION SERVO, 200 MB	1	B
	012746	PCB ASM, WRITE LOGIC, 200 MB	1	B
	012851	PCB ASM, DATA SAFETY AND HEAD SELECT	1	
	012856	PCB ASM, VARIABLE FREQUENCY OSCILLATOR	1	
	012861	PCB ASM, PRECOMPENSATION	1	
	012871	PCB ASM, INDEX	1	
	012906	PCB ASM, INPUT	1	
	012911	PCB ASM, OUTPUT	1	
	012916	PCB ASM, SEQUENCE	1	
	012921	PCB ASM, SERVO CONTROL	1	
	012931	PCB ASM, LAMP MATRIX	1	
	013086	PCB ASM, VELOCITY SERVO, 100 MB	1	A
	013091	PCB ASM, POSITION SERVO, 100 MB	1	A
	013096	PCB ASM, WRITE LOGIC, 100 MB	1	A
	158792	SWITCH, SUB MINIATURE	6	
	158803	SWITCH, TOGGLE, SPDT	1	
	158951	SWITCH, TOGGLE, SPDT	1	
	159107	SWITCH, TOGGLE, DPDT	1	
	210896	HINGE, REAR DOOR	2	
	215230	LOGICAL ADDRESS PLUG (LAP), "0"	A/R	B
	215231	LOGICAL ADDRESS PLUG (LAP), "1"	A/R	B
	215232	LOGICAL ADDRESS PLUG (LAP), "2"	A/R	B
	215233	LOGICAL ADDRESS PLUG (LAP), "3"	A/R	B
	215234	LOGICAL ADDRESS PLUG (LAP), "4"	A/R	B
	215235	LOGICAL ADDRESS PLUG (LAP), "5"	A/R	B
	215236	LOGICAL ADDRESS PLUG (LAP), "6"	A/R	B
	215237	LOGICAL ADDRESS PLUG (LAP), "7"	A/R	B
	215607	OPERATOR CONTROL ASM	1	
	215890	LOGICAL ADDRESS PLUG (LAP), "0"	A/R	A
	215891	LOGICAL ADDRESS PLUG (LAP), "1"	A/R	A
	215892	LOGICAL ADDRESS PLUG (LAP), "2"	A/R	A
	215893	LOGICAL ADDRESS PLUG (LAP), "3"	A/R	A
	215894	LOGICAL ADDRESS PLUG (LAP), "4"	A/R	A
	215895	LOGICAL ADDRESS PLUG (LAP), "5"	A/R	A
	215896	LOGICAL ADDRESS PLUG (LAP), "6"	A/R	A
	215897	LOGICAL ADDRESS PLUG (LAP), "7"	A/R	A
	308533	LOGICAL ADDRESS PLUG (LAP), "S"	A/R	
	601363	LAMP	A/R	

NUMERICAL INDEX

677-01/51

Memorex Part Number	DEC Part Number	Figure & Index Number
011086	29-22190	7-19
011706 ✓	29-22077	4-11
012431 ✓	29-22078	4-12
012476 ✓	29-22074	4-8
012481 ✓	29-22075	4-9
012746 ✓	29-22076	4-10
012851 ✓	29-22079	4-13
012856 ✓	29-22071	4-5
012861 ✓	29-22069	4-3
012871 ✓	29-22070	4-4
012906 ✓	29-22067	4-1
012911 ✓	29-22068	4-2
012916 ✓	29-22072	4-6
012921 ✓	29-22073	4-7
012926 ✓	29-22084	6-20
012931	29-22215	2-1
013086		4-8
013091		4-9
013096		4-10
110022		6-3
110040		3-11
110041		6-13
110047		6-14
110064		1-24
110078		2-12
110078		2-7
110079		2-28
110079		2-22
110079		2-16
110079		1-20
110080		5-5
110080		5-12
110080		5-2
110080		5-14
110080		5-9
110080		5-7
110080		5-17
110080		6-19
110080		6-6
110083		5-21
110083		2-26
110126		1-41
110127		2-31
110128		2-10
110128		1-13
110128		1-11
110132		1-30
110137		1-31
110148		1-38
110362		2-14
110362		3-3
110368		2-33
110370		6-15
110379		3-12
110380		1-25

Memorex Part Number	DEC Part Number	Figure & Index Number
110380		2-13
110380		2-17
110380		2-23
110380		5-22
110381		2-32
110381		1-14
110573		6-16
110840		3-9
110840		3-2
110841		3-4
110841		5-3
110841		1-26
110867		2-6
111262		2-4
111542		2-19
111592		1-22
112322		2-11
150098		1-23
150098		1-12
154107		2-24
158792	29-22080	6-7
158803	29-22082	6-9
158951	29-22083	6-10
159107		6-8
200044		2-35
200129		1-19
201416		6-24
203174		7-10
203175		7-15
203176		7-14
203177		7-12
210105	29-22180	7-4
210109	29-22181	7-5
210199		5-16
210200		5-8
210235		3-14
210359		6-21
210363		6-1
210371		6-22
210373		5-6
210382		6-11
210385		6-12
210390		2-5
210392		3-13
210734		5-10
210736		5-11
210743		1-21
210744		3-10
210755		2-9
210794		6-2
210795		6-4
210849		3-7
210850		3-1
210851		6-17
210891		6-18

Memorex Part Number	DEC Part Number	Figure & Index Number
210912		5-13
210961		2-27
210980		1-35
211133		5-18
211292		7-1
211299		2-20
211300		2-21
211372	29-22187	7-11
211391		2-2
211406		5-15
211409	29-22185	7-9
211411		6-23
211474		2-25
211499		7-2
211502	29-22192	7-23
211503	29-22186	7-8
211516	29-22182	7-6
211526	29-22179	7-3
211556		5-1
211568		2-7
211585		2-15
211633	29-21290	7-20
215230	29-22216	1-6
215231	29-22217	1-6
215232	29-22218	1-6
215233	29-22219	1-6
215234	29-22220	1-6
215235	29-22221	1-6
215236	29-22222	1-6
215237	29-22223	1-6
215281	29-22184	7-7
215285		7-13
215286		7-17
215287		7-16
215289	29-22189	7-18
215601		2-37
215601		1-3
215602		1-3
215602		2-37
215607		2-34
215607		4-14
215607		6-REF
215608		2-30
215608		5-REF
215609		2-3
215609		3-REF
215611		1-39
215616		5-19
215619		5-4
215623		2-36
215625		2-36
215630		1-16
215631		1-27
215730		1-2
215745		3-6
215752		1-1
215752		2-REF

Memorex Part Number	DEC Part Number	Figure & Index Number
215753		2-REF
215753		1-1
215756		2-18
215760		2-29
215760		4-REF
215773		1-7
215778		1-4
215784		1-36
215785		1-28
215786		1-17
215794		3-5
215820		6-5
215841		2-37
215841		1-3
215842		1-3
215842		2-37
215844		2-REF
215844		1-1
215845		1-1
215845		2-REF
215851		2-29
215851		4-REF
215874		3-6
215875		3-REF
215875		2-3
215890		1-6
215891		1-6
215892		1-6
215893		1-6
215894		1-6
215895		1-6
215896		1-6
215897		1-6
215899		1-5
215900		7-22
215935		7-21
215970		7-REF
215971	29-22183	7-7
216810		1-7
216811		1-10
216812		1-9
216813		1-8
216814		1-33
216815		1-40
216816		1-32
216817		1-34
216818		1-37
216821		5-20
216823		1-15
308533	29-22224	1-6
320300		7-25
335001	29-22193	7-24
601363	29-22214	2-1A
700563		1-29
700563		1-18
701391		3-8
890085		1-REF

**SECTION 2**

**677 DISC STORAGE DRIVE**

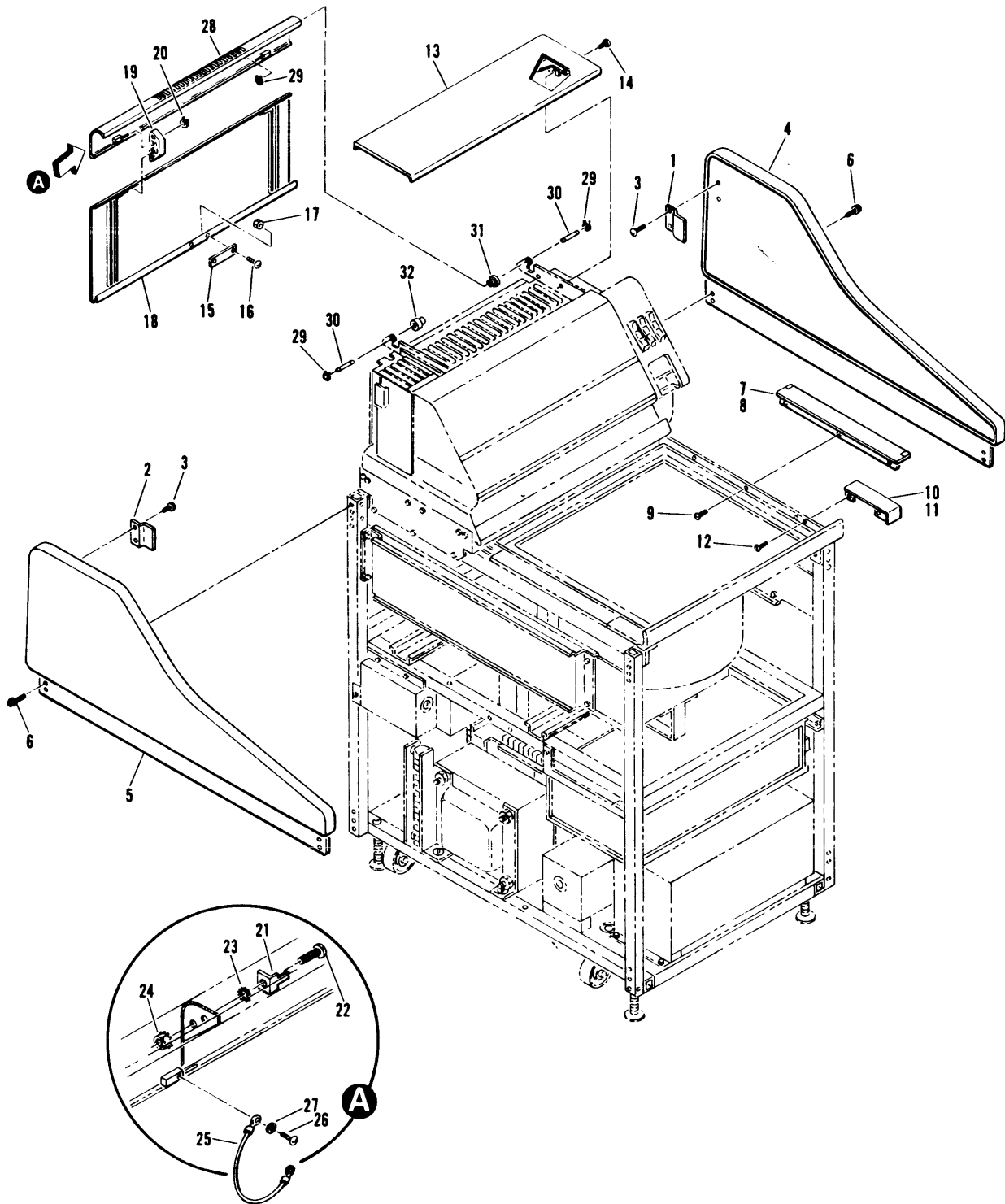


FIGURE 1. BASIC COVER GROUP

FIGURE & INDEX NUMBER	PART NUMBER	DESCRIPTION				QTY PER ASSY	USABLE ON CODE
		1	2	3	4		
1-	215730	BASIC COVER GROUP ASM (SEE SEC. 1 FIG. 1 FOR NHA)				REF	
-1	215628	BRACKET, GUIDE				1	
-2	211555	BRACKET, GUIDE				1	
-3*	110083	SCREW, BH, 6-32 X 0.5				4	
		ATTACHING PARTS FOR ITEMS 1 AND 2					
<del>-4</del>	<del>215857</del>	<del>COVER, CONTOUR, SIDE, RIGHT</del>				<del>1</del>	
<del>-5</del>	<del>215858</del>	<del>COVER, CONTOUR, SIDE, LEFT</del>				<del>1</del>	
-6*	111730	SCREW, 82° FLAT HD, THREADFORMING, 8-32 X 0.38				8	
		ATTACHING PARTS FOR ITEMS 4 AND 5					
-7	210917	DECK PANEL ASM, RIGHT				1	
-8	210918	DECK PANEL ASM, LEFT				1	
-9*	200497	SCREW, BUTTON HD, HEX SOCKET, 6-32 X 0.25				6	
		ATTACHING PARTS FOR ITEMS 7 AND 8					
-10	211809	PANEL, DECK, RIGHT				1	
-11	211810	PANEL, DECK, LEFT				1	
-12*	200497	SCREW, BUTTON HD, HEX SOCKET, 6-32 X 0.25				4	
		ATTACHING PARTS FOR ITEMS 10 AND 11					
-13	210234	COVER, TOP				1	
-14*	110127	SCREW, BH, 8-32 X 0.25				2	
-15	210744	PLATE, STRIKER				1	
-16*	110041	SCREW, BH, 4-40 X 0.25				2	
-17*	110840	NUT, HEX, KEPS, 4-40				2	
-18	210888	PANEL REAR, BOTTOM				1	
-19	210896	HINGE, REAR, PANEL				2	
-20	705116	RING, RETAINING				4	
-21	150098	TERMINAL, TAB, RIGHT ANGLE, 0.25				1	
-22*	110043	SCREW, BH, 4-40 X 0.375				1	
-23*	110379	WASHER, LOCK, EXTERNAL TOOTH, NO. 4				1	
-24*	110840	NUT, HEX, KEPS, 4-40				1	
-25	211607	JUMPER ASM, COVER GROUND				1	
-26*	110078	SCREW, BH, 6-32 X 0.188				2	
-27*	110380	WASHER, LOCK, EXTERNAL TOOTH, NO. 6				2	
-28	210892	PANEL, REAR, TOP				1	
-29	111262	RING, RETAINING				4	
-30	210390	PIN, HINGE				2	
-31	210391	SPACER, HINGE				1	
-32	210441	SPACER, HINGE				1	

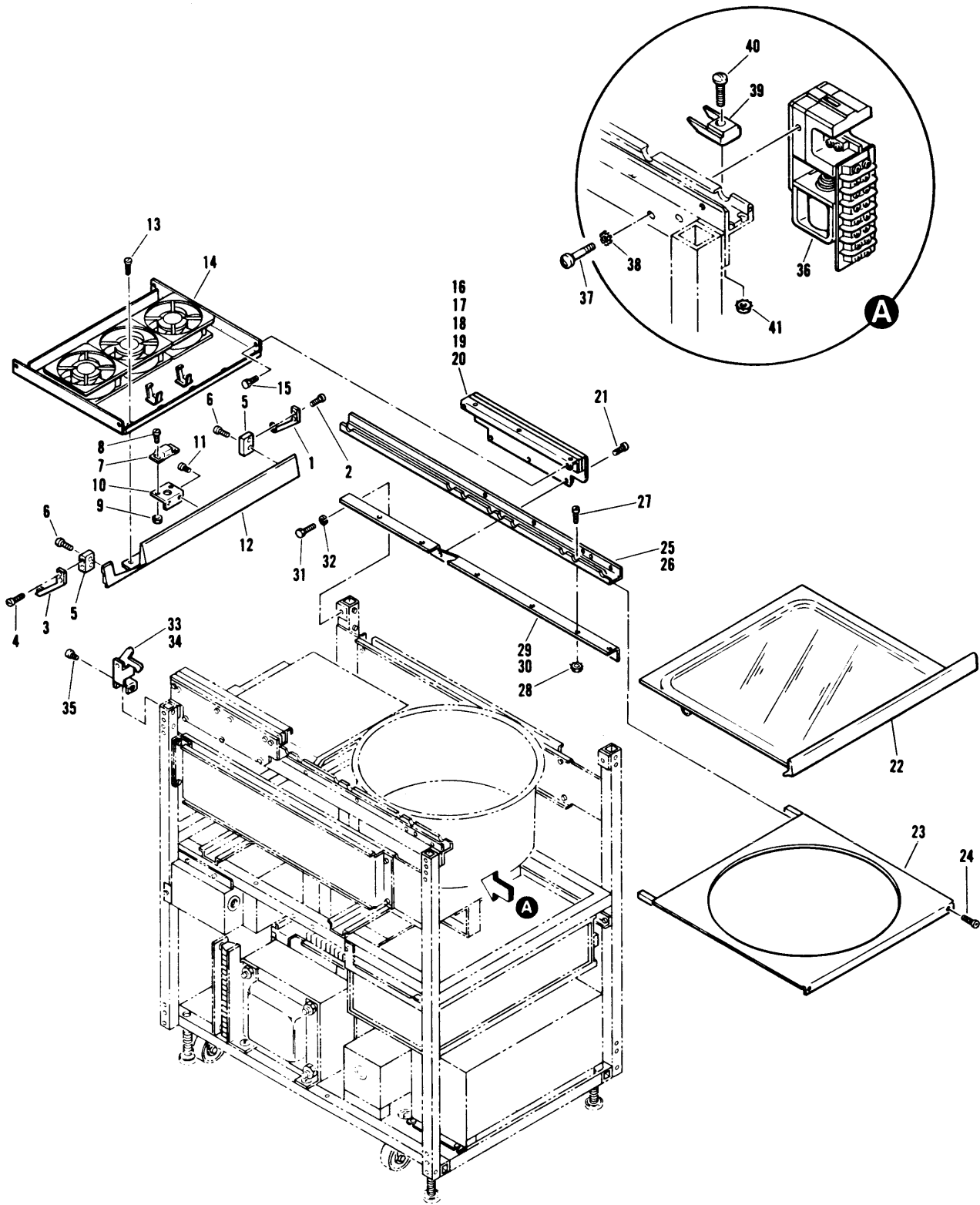


FIGURE 2. BASIC DRIVE (SHEET 1 OF 3)



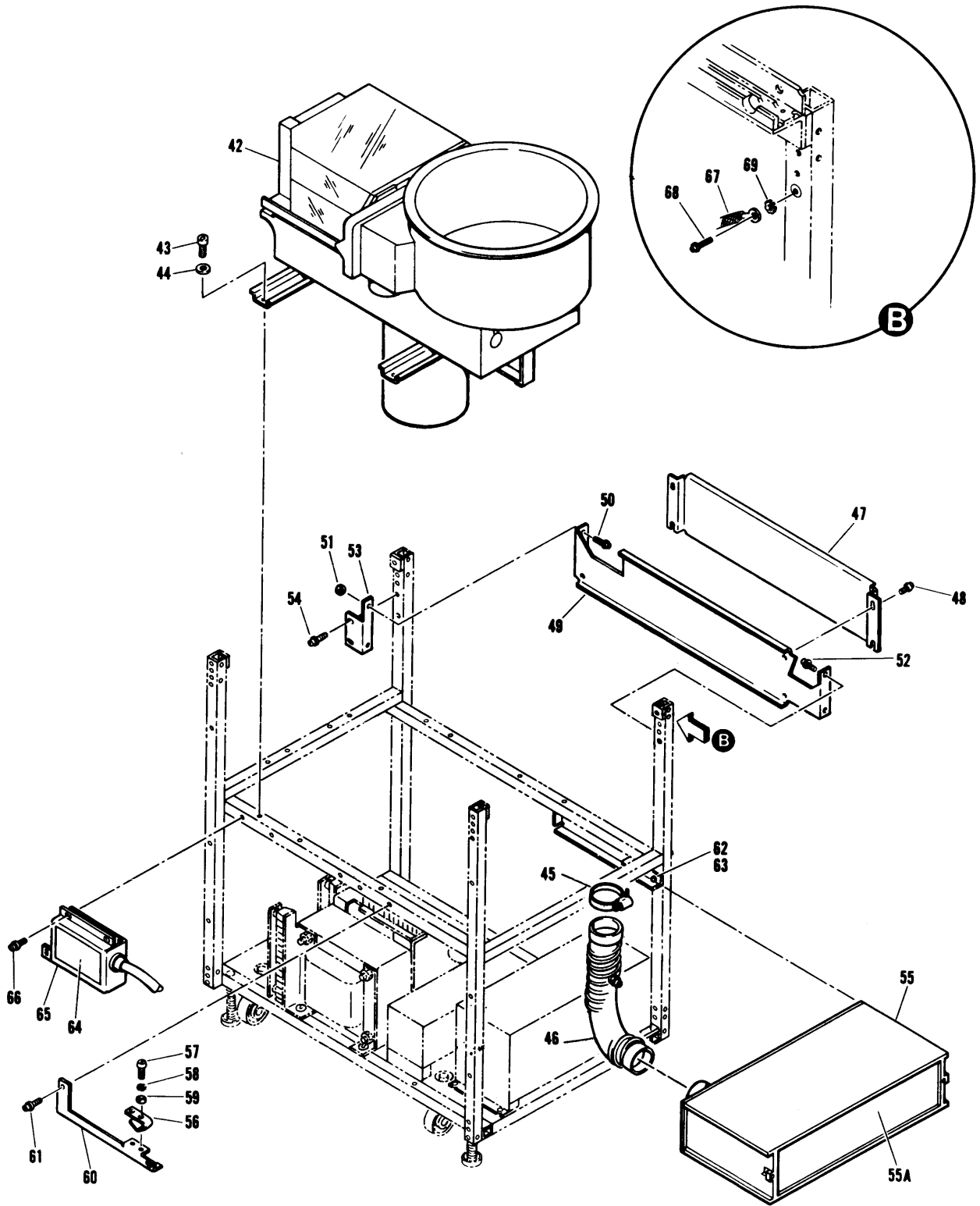


FIGURE 2. BASIC DRIVE (SHEET 2 OF 3)

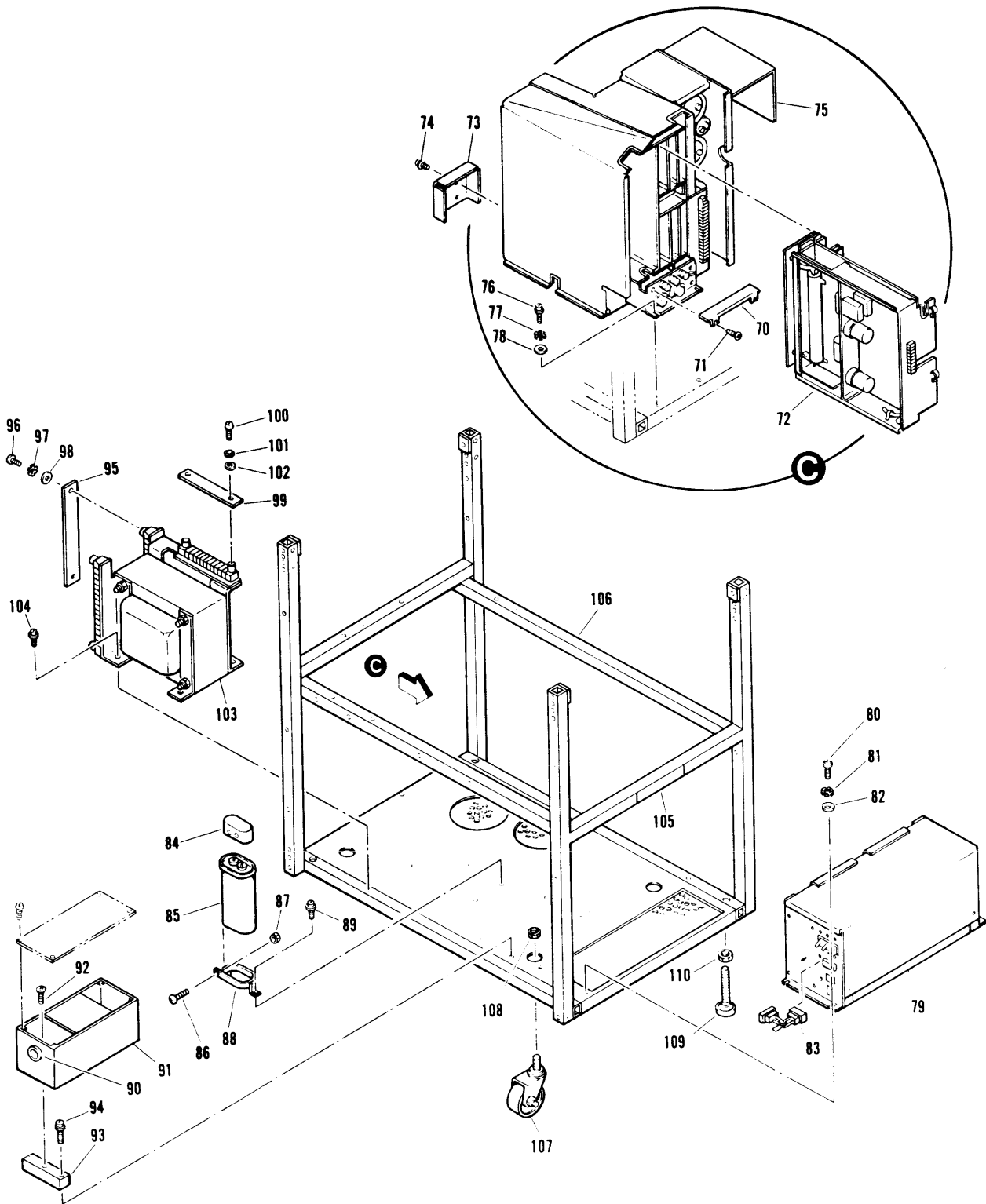


FIGURE 2. BASIC DRIVE (SHEET 3 OF 3)

FIGURE & INDEX NUMBER	PART NUMBER	DESCRIPTION				QTY PER ASSY	USABLE ON CODE
		1	2	3	4		
2-		CODE A - USED ON 215841 ONLY CODE B - USED ON 215842 ONLY CODE C - USED ON 215601 ONLY CODE D - USED ON 215602 ONLY					
-	215841	BASIC DRIVE, 100 MB, 60HZ, 208 - 240V (SEE SEC. 1 FIG. 1 FOR NHA)				REF	A
-	215842	BASIC DRIVE, 100 MB, 50HZ, 208 - 420V (SEE SEC. 1 FIG. 1 FOR NHA)				REF	B
-	215601	BASIC DRIVE, 200 MB, 60HZ, 208 - 240V (SEE SEC. 1 FIG. 1 FOR NHA)				REF	C
-	215602	BASIC DRIVE, 200 MB, 50HZ, 208 - 420V (SEE SEC. 1 FIG. 1 FOR NHA)				REF	D
-1	211840	CAM, PANEL, RIGHT HAND				1	
-2*	110065	SCREW, FILLISTER HD, 6-32 X 0.375				2	
-3	211839	CAM, PANEL, LEFT HAND				1	
-4*	110065	SCREW, FILLISTER HD, 6-32 X 0.375				2	
-5	211819	SUPPORT, CAM				2	
-6*	110065	SCREW, FILLISTER HD, 6-32 X 0.375				4	
-7	112322	CATCH, MAGNETIC				1	
-8*	110079	SCREW, BH, 6-32 X 0.25				2	
-9*	110841	NUT, HEX, KEPS, 6-32				2	
-10	210790	BRACKET, CATCH				1	
-11*	110078	SCREW, BH, 6-32 X 0.188				2	
-12	210897	COVER, BAR				1	
-13*	110079	SCREW, FILLISTER HD, 6-32 X 0.375				5	
14	211165	FAN ASM (SEE SEC. 2 FIG. 3 FOR BREAKDOWN)				1	
-15*	110127	SCREW, BH, 8-32 X 0.25				4	
-16	210733	SLIDE, SUPPORT				2	
-17*	110126	SCREW, BH, 8-32 X 0.188				10	
-18	112344	GUIDE, DRAWER				2	
-19*	110126	SCREW, BH, 8-32 X 0.188				10	
-20	210196	RAIL, SUPPORT				2	
-21*	110129	SCREW, BH, 8-32 X 0.375				6	
-22	211913	GLASS DOOR ASM (SEE SEC. 2 FIG. 4 FOR BREAKDOWN)				1	
-23	210412	SHROUD COVER ASM				1	
-24	112364	SCREW, BUTTON HD, HEX SOCKET, 4-40 X 0.188				4	
25	211814	TRACK, DOOR, LEFT HAND				1	
-26	211815	TRACK, DOOR, RIGHT HAND				1	
-27*	112431	SCREW, BUTTON HD, HEX SOCKET, 4-40 X 0.375				10	
-28*	110840	NUT, HEX, KEPS, 4-40 ITEMS 27 AND 28 ARE ATTACHING PARTS FOR ITEMS 25 AND 26				10	
-29	215720	ANGLE, FRAME, LEFT				1	
-30	215721	ANGLE, FRAME, RIGHT				1	
31*	110263	SCREW, HEX HD, 0.25-20 X 0.75				4	
-32*	110374	WASHER, LOCK, 0.25 ITEMS 31 AND 32 ARE ATTACHING PARTS FOR ITEMS 29 AND 30				4	
-33	215620	LATCH ASM, LOGIC FILE, RIGHT HAND				1	
-34	215780	LATCH ASM, LOGIC FILE, LEFT HAND				1	
-35*	700563	SCREW, THREADFORMING, 8-32 X 0.375 ITEM 35 IS THE ATTACHING PARTS FOR ITEMS 33 AND 34				4	

FIGURE & INDEX NUMBER	PART NUMBER	DESCRIPTION	QTY PER ASSY	USABLE ON CODE
2-36	215758	DOOR LOCK ASM (SEE SEC. 2 FIG. 5 FOR BREAKDOWN)	1	
-37*	110131	SCREW, BH, 8-32 X 0.5	2	
-38*	110381	WASHER, LOCK, EXTERNAL TOOTH	2	
-39	215854	BUMPER, STOP	2	
-40*	112661	SCREW, CAP, HEX SOCKET, 8-32 X 0.75	2	
-41*	110842	NUT, HEX, KEPS, 8-32	2	
-42	215846	DECK PLATE ASM, 100 MB, 60HZ (SEC. 2 FIG. 6 FOR BREAKDOWN)	1	A
-42	215847	DECK PLATE ASM, 100 MB, 50HZ (SEE SEC. 2 FIG. 6 FOR BREAKDOWN)	1	B
-42	215605	DECK PLATE ASM, 200 MB, 60HZ (SEE SEC. 2 FIG. 6 FOR BREAKDOWN)	1	C
-42	215606	DECK PLATE ASM, 200 MB, 50HZ (SEE SEC. 2 FIG. 6 FOR BREAKDOWN)	1	D
-43*	110331	SCREW, CAP, HEX SOCKET, 0.25-20 X 1.5	4	
-44*	110365	WASHER, FLAT, 0.25	4	
-45	211883	CLAMP, AIR DUCT	2	
-46	211884	DUCT ASM, AIR	1	
-47	210959	PLATE, CABLE GUIDE	2	
-48*	111530	SCREW, PAN HD, 6-32 X 0.25	8	
-49	211017	PLATE, BAFFLE, OUTER	2	
-50*	110131	SCREW, BH, 8-32 X 0.5	4	
-51*	110842	NUT, HEX, KEPS, 8-32	4	
-52*	700563	SCREW, THREADFORMING, 8-32 X 0.375	4	
-53	215637	BRACKET, BAFFLE, SPACER	2	
-54*	700563	SCREW, THREADFORMING, 8-32 X 0.375	4	
-55	211880	ABSOLUTE FILTER	1	
-55A	112309	PRE FILTER	1	
-56	211988	CLIP, FILTER RETAINER	2	
-57*	110080	SCREW, BH, 6-32 X 0.312	4	
-58*	110380	WASHER, LOCK, EXTERNAL TOOTH, NO. 6	4	
-59*	110362	WASHER, FLAT, NO. 6	4	
-60	215672	SUPPORT, FILTER, RIGHT	1	
-61*	700563	SCREW, THREADFORMING, 8-32 X 0.375	2	
-62	215671	SUPPORT, FILTER, LEFT	1	
-63*	700563	SCREW, THREADFORMING, 8-32 X 0.375	2	
-64	215783	LABEL, AC CONNECTOR	1	
-65	215679	AC CONNECTOR BOX ASM (SEE SEC. 2 FIG. 10 FOR BREAKDOWN)	1	
-66*	700563	SCREW, THREADFORMING, 8-32 X 0.375	3	
-67	211089	JUMPER ASM, BRAID	4	
-68*	700563	SCREW, THREADFORMING, 8-32 X 0.375	4	
-69*	110381	WASHER, LOCK, EXTERNAL TOOTH, NO. 8	4	
-70	215723	COVER, PROTECTIVE	1	
-71*	111220	SCREW, PAN HD, THREADFORMING, 6-32 X 0.19	1	
-72	215830	SERVO POWER AMPLIFIER ASM	1	
-73	215722	SHIELD, LINE FILTER	1	
-74*	110842	NUT, HEX, KEPS, 8-32	2	
-75	215640	POWER SUPPLY ASM (SEE SEC. 2 FIG. 11 FOR BREAKDOWN)	1	
-76*	700563	SCREW, THREADFORMING, 8-32 X 0.375	4	
-77*	110381	WASHER, LOCK, EXTERNAL TOOTH, NO. 8	4	
-78*	110921	WASHER, FLAT, NO. 8	4	
-79	215681	POWER DISTRIBUTION UNIT ASM (SEE SEC. 2 FIG. 17 FOR BREAKDOWN)	1	
-80*	700563	SCREW, THREADFORMING, 8-32 X 0.375	4	
-81*	110381	WASHER, LOCK, EXTERNAL TOOTH, NO. 8	4	
-82*	110921	WASHER, FLAT, NO. 8	4	
-83	215766	PLUG ASM, POWER CONVERSION (SEE SEC. 2 FIG. 22-2, 3, 27 AND 32 FOR DETAILS)	1	

FIGURE & INDEX NUMBER	PART NUMBER	DESCRIPTION				QTY PER ASSY	USABLE ON CODE
		1	2	3	4		
2-84	005029	.	.	.	.	1	
-85	158934	.	.	.	.	1	
-86*	110081	.	.	.	.	1	
-87*	110841	.	.	.	.	1	
-88	159059	.	.	.	.	1	
-89*	700563	.	.	.	.	2	
-90	111457	.	.	.	.	A/R	
-91	159058	.	.	.	.	1	
-92*	110129	.	.	.	.	2	
-93	215688	.	.	.	.	2	
-94*	700566	.	.	.	.	4	
-95	215776	.	.	.	.	2	
-96*	110079	.	.	.	.	4	
-97*	110380	.	.	.	.	4	
-98*	110920	.	.	.	.	4	
-99	215775	.	.	.	.	1	
-100*	110079	.	.	.	.	2	
-101*	110380	.	.	.	.	2	
-102*	110920	.	.	.	.	2	
-103	159054	.	.	.	.	1	
-104*	700570	.	.	.	.	4	
-105	200491	.	.	.	.	1	
-106	215610	.	.	.	.	1	
-107	200072	.	.	.	.	4	
-108*	110586	.	.	.	.	4	
-109	308095	.	.	.	.	4	
-110	110586	.	.	.	.	4	

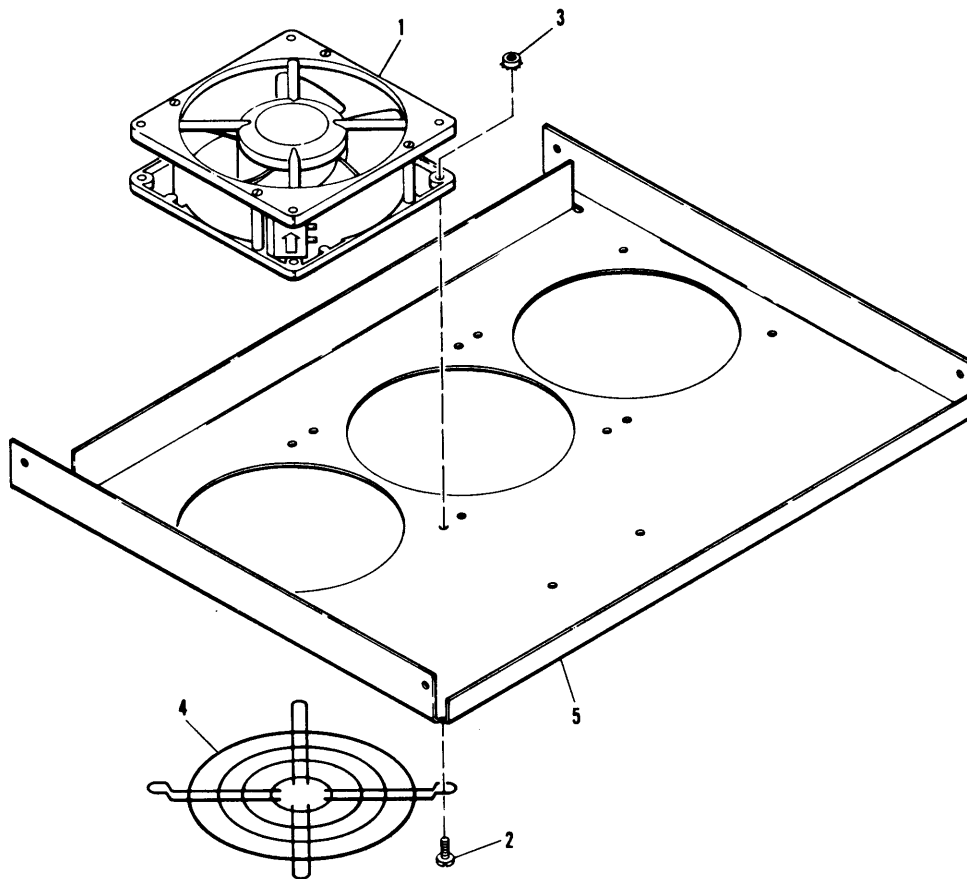


FIGURE 3. FAN ASM

FIGURE & INDEX NUMBER	PART NUMBER	DESCRIPTION				QTY PER ASSY	USABLE ON CODE
		1	2	3	4		
3-	211165	FAN ASM (SEE SEC. 2 FIG. 2-14 FOR NHA)				REF	
-1	158849	.	.	.	.	3	
-2*	110083	.	.	.	.	12	
-3*	110841	.	.	.	.	12	
-4	150522	.	.	.	.	3	
-5	210198	.	.	.	.	1	

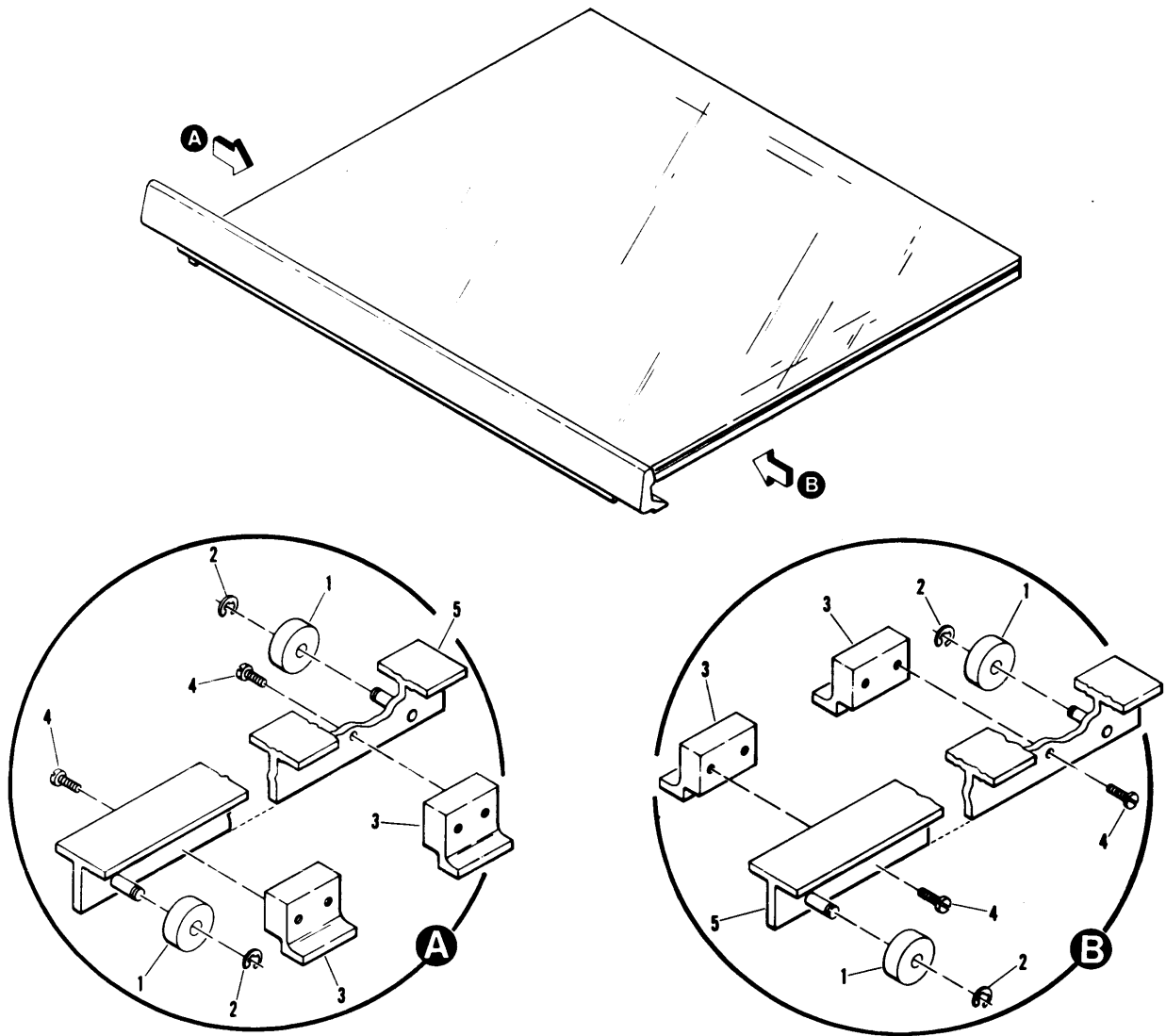


FIGURE 4. GLASS DOOR ASM

FIGURE & INDEX NUMBER	PART NUMBER	DESCRIPTION				QTY PER ASSY	USABLE ON CODE
		1	2	3	4		
4-	211913	DOOR ASM (SEE SEC. 2 FIG. 2-22 FOR NHA)				REF	
-1	210621	.	.	.	.	4	
-2*	600853	.	.	.	.	4	
-3	210405	.	.	.	.	4	
-4*	112310	.	.	.	.	8	

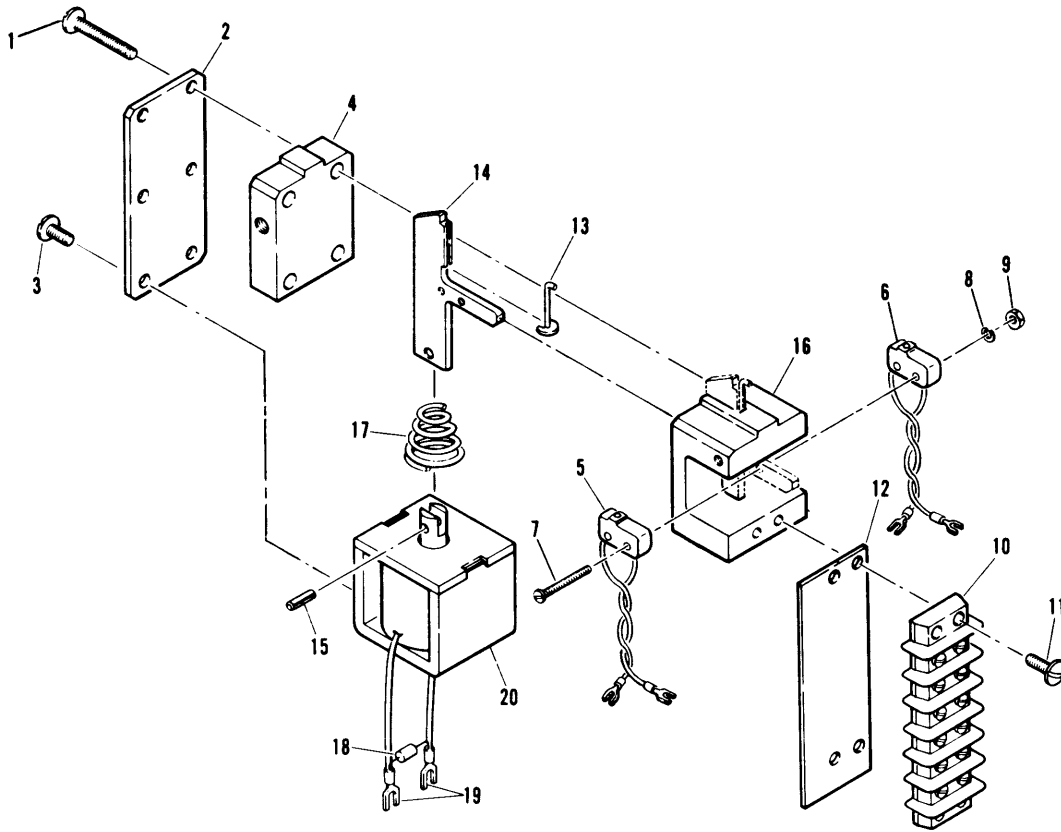


FIGURE 5. DOOR LOCK ASM

FIGURE & INDEX NUMBER	PART NUMBER	DESCRIPTION				QTY PER ASSY	USABLE ON CODE
		1	2	3	4		
5-	215758	LOCK ASM DOOR (SEE SEC. 2 FIG. 2-36 FOR NHA)				REF	
-1	110136	.	.	.	.	4	
-2	211151	.	.	.	.	1	
-3*	110129	.	.	.	.	2	
-4	211154	.	.	.	.	1	
-5	211132	.	.	.	.	1	
-6	215762	.	.	.	.	1	
-7*	110018	.	.	.	.	1	
-8*	705148	.	.	.	.	1	
-9*	110571	.	.	.	.	1	
-10	150363	.	.	.	.	1	
-11*	110084	.	.	.	.	2	
-12	211241	.	.	.	.	1	
-13	215795	.	.	.	.	1	
-14	211152	.	.	.	.	1	
-15*	110722	.	.	.	.	1	
-16	211155	.	.	.	.	1	
-17	211150	.	.	.	.	1	
-18	150957	.	.	.	.	1	
-19	150120	.	.	.	.	2	
-20	158793	.	.	.	.	1	



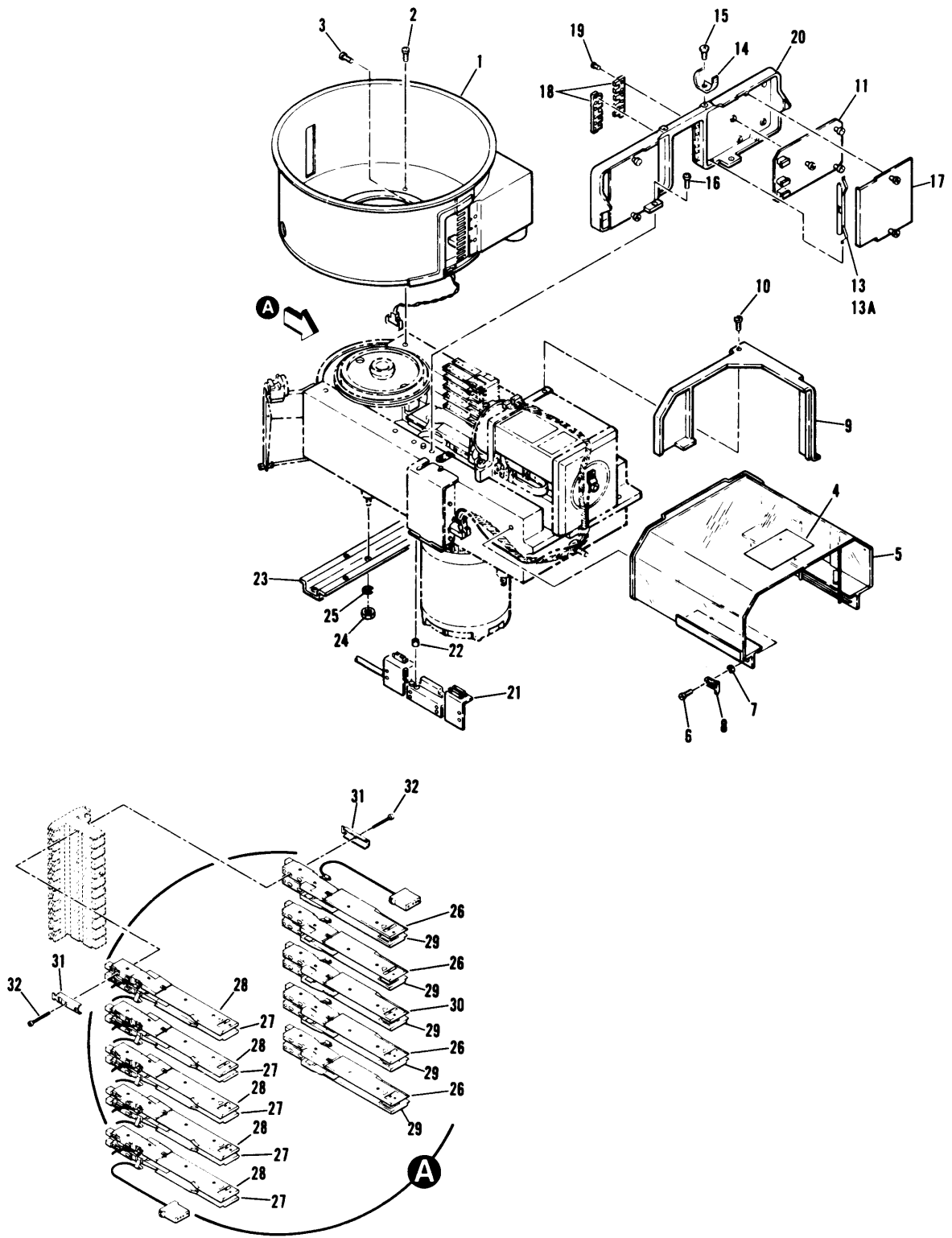


FIGURE 6. DECK PLATE ASM (SHEET 1 OF 4)

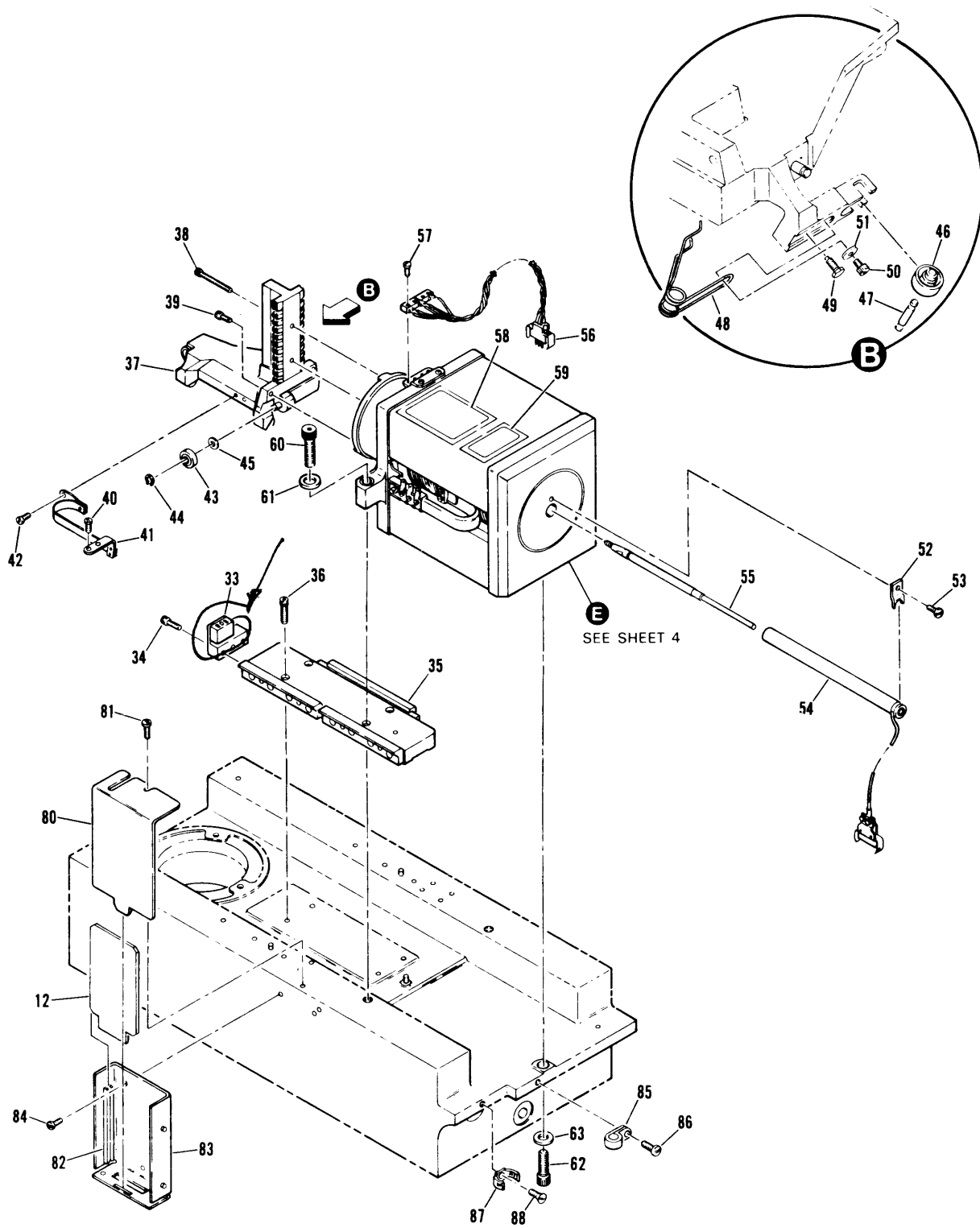


FIGURE 6. DECK PLATE ASM (SHEET 2 OF 4)

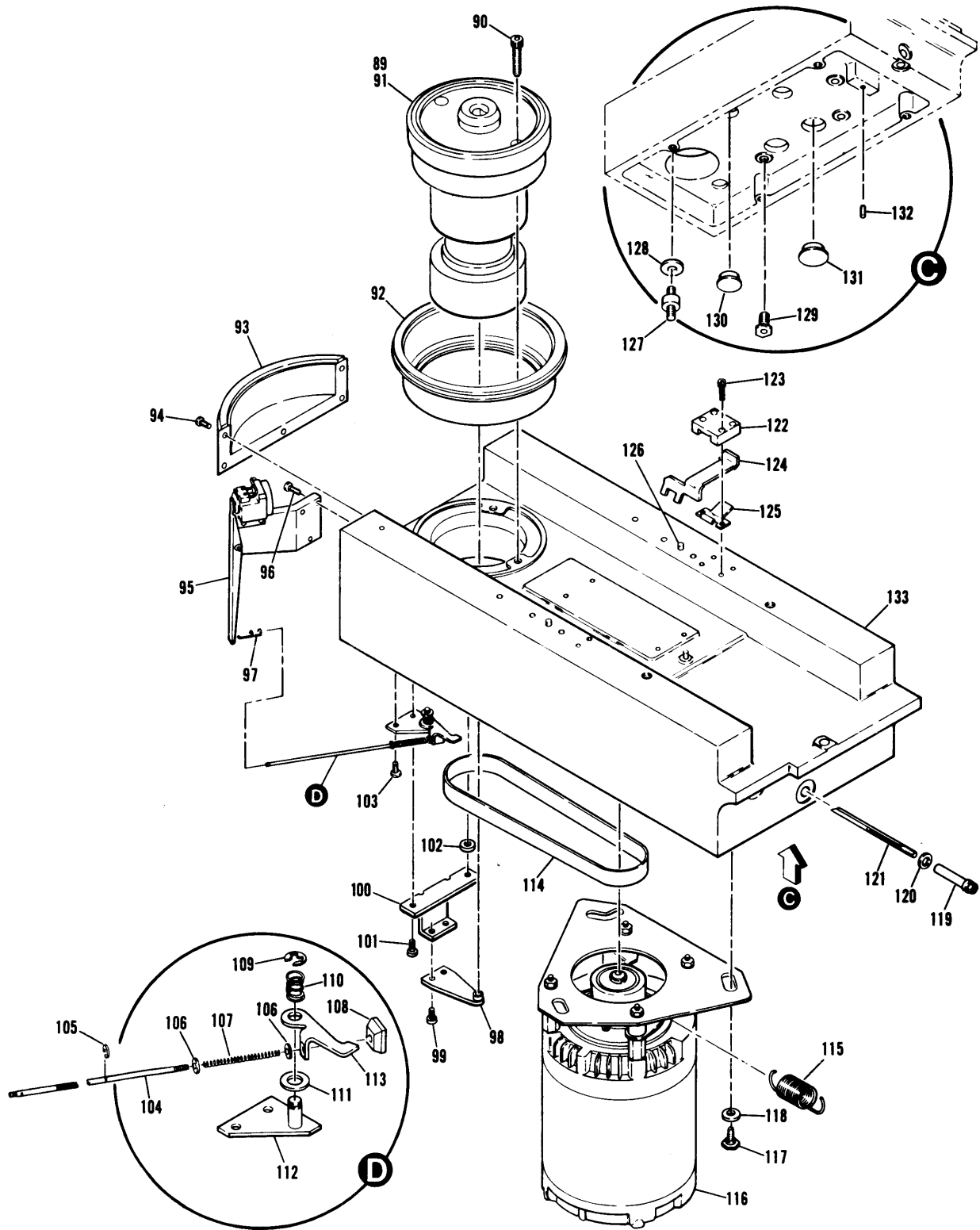


FIGURE 6. DECK PLATE ASM (SHEET 3 OF 4)

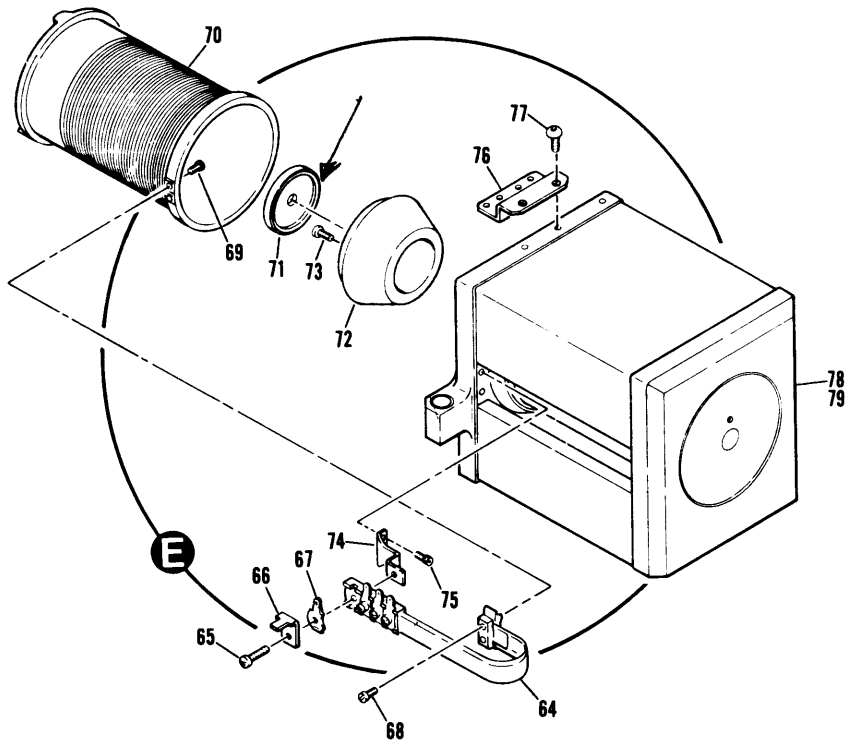


FIGURE 6. DECK PLATE ASM (SHEET 4 OF 4)

FIGURE & INDEX NUMBER	PART NUMBER	DESCRIPTION				QTY PER ASSY	USABLE ON CODE
		1	2	3	4		
6-		CODE A - USED ON 215846 ONLY CODE B - USED ON 215847 ONLY CODE C - USED ON 215605 ONLY CODE D - USED ON 215606 ONLY					
-	215846	DECK PLATE ASM, 100 MB, 60HZ (SEE SEC. 2 FIG. 2-42 FOR NHA)				REF	A
-	215847	DECK PLATE ASM, 100 MB, 50HZ (SEE SEC. 2 FIG. 2-42 FOR NHA)				REF	B
-	215605	DECK PLATE ASM, 200 MB, 60HZ (SEE SEC. 2 FIG. 2-42 FOR NHA)				REF	C
-	215606	DECK PLATE ASM, 200 MB, 50HZ (SEE SEC. 2 FIG. 2-42 FOR NHA)				REF	D
-1	215092	SHROUD ASM (SEE SEC. 2 FIG. 7 FOR BREAKDOWN)				1	
-2*	111159	SCREW, BUTTON HD, HEX SOCKET, 10-32 X 0.25				4	
-3*	110043	SCREW, BH, 4-40 X 0.375				2	
-4	211389	LABEL, CAUTION, EXHAUST HOUSING				1	
-5	211646	AIR EXHAUST ASM, DEFLECT				1	
-6*	110131	SCREW, BH, 8-32 X 0.5				2	
-7*	211167	SPACER, AIR DEFLECT				2	

FIGURE & INDEX NUMBER	PART NUMBER	DESCRIPTION				QTY PER ASSY	USABLE ON CODE
		1	2	3	4		
6-8	211169	.	CLIP ASM, RETAINING			2	
-9	211647	.	AIR DEFLECT			1	
-10*	110131	.	SCREW, BH, 8-32 X 0.5			2	
	215781	.	DECK PLATE PCB PLUG LIST			1	
-11	011901	.	PCB ASM, READ/WRITE MATRIX, 100 MB			2	A,B
-11	012491	.	PCB ASM, READ/WRITE MATRIX, 200 MB -			2	C,D
-12	012486	.	PCB ASM, SERVO PREAMP			1	
-13	211333	.	CLAMP ASM, RIGHT HAND SIDE			1	
-13A	211332	.	CLAMP ASM, LEFT HAND SIDE			1	
-14	112361	.	CLAMP, CABLE			2	
-15*	110095	.	SCREW, 82° FLAT HD, 6-32 X 0.375			2	
	215088	.	CAM TOWER ASM			1	
-16*	110181	.	SCREW, BH, 10-32 X 0.312			4	
-17	210789	.	COVER - SCREW ASM			2	
-18	210107	.	CAM, 100 MB			2	A,B
-18	215087	.	CAM, 200 MB			2	C,D
-19*	110043	.	SCREW, BH, 4-40 X 0.375			8	
-20	210165	.	CAM TOWER			1	
THE FOLLOWING ITEM IS NOT PART OF THIS ASSEMBLY, SEE SEC. 2 FIG. 19							
-21	210349	.	CABLE ASM, READ/WRITE, PRE-AMP			REF	
-22	210970	.	STANDOFF, BRACKET			2	
-23	215627	.	BRACE, FRAME			2	
-24*	110580	.	NUT, HEX, JAM, 0.25-20			4	
-25*	110374	.	WASHER, LOCK, 0.25			4	
-26	211535	.	HEAD ASM KIT "A," DOWN, READ/WRITE, 100 MB (210035*)			4	A,B
-26	215131	.	HEAD ASM KIT "A," DOWN, READ/WRITE, 200 MB (215100*)			4	C,D
-27	211536	.	HEAD ASM KIT "A," UP, READ/WRITE, 100 MB (210036*)			5	A,B
-27	215132	.	HEAD ASM KIT "A," UP, READ/WRITE, 200 MB (215110*)			5	C,D
-28	211537	.	HEAD ASM KIT "B," DOWN, READ/WRITE, 100 MB (210037*)			5	A,B
-28	215133	.	HEAD ASM KIT "B," DOWN, READ/WRITE, 200 MB (215120*)			5	C,D
-29	211538	.	HEAD ASM KIT "B," UP, READ/WRITE, 100 MB (210038*)			5	A,B
-29	215134	.	HEAD ASM KIT "B," UP, READ/WRITE, 200 MB (215130*)			5	C,D
-30	211539	.	HEAD ASM KIT "A," SERVO/READ ONLY, 100 MB (210039*)			1	A,B
-30	215532	.	HEAD ASM KIT "A," SERVO/READ ONLY, 200 MB (215140*)			1	C,D
*REF. - HEAD ASM ONLY, NOT A FIELD REPLACEMENT KIT							
-31	210104	.	CLIP, ALIGNMENT (ONE SUPPLIED WITH EACH HEAD KIT, INDEX NOS. 26 THRU 30)			20	
-32*	110854	.	SCREW, CAP, HEX SOCKET, 4-40 X 0.75 (TWO SUPPLIED WITH EACH HEAD KIT, INDEX NOS. 26 THRU 30)			40	
-33	210420	.	STOP, CRASH			1	
-34*	110318	.	SCREW, CAP, HEX, SOCKET, 10-32 X 0.75			3	
-35	211029	.	WAY ASM			1	
-36*	110319	.	SCREW, CAP, HEX, SOCKET, 10-32 X 0.875			4	
-37	210627	.	CARRIAGE/T-BLOCK ASM (EC 3423)			1	
-38*	110915	.	SCREW, CAP, HEX, SOCKET, 6-32 X 1.5			1	
-39*	110858	.	SCREW, CAP, HEX, SOCKET, 6-32 X 0.625			2	
-40*	110081	.	SCREW, BH, 6-32 X 0.375			2	
-41	210187	.	GROUND ASM, CARRIAGE			1	
-42*	110040	.	SCREW, BH, 4-40 X 0.188			1	
-43	210221	.	BEARING, CARRIAGE			5	
-44*	112311	.	RING, RETAINING			5	
-45*	210340	.	WASHER, BEARING			5	
-46	210541	.	BEARING ASM, CARRIAGE			1	
-47	210186	.	SHAFT			1	

FIGURE & INDEX NUMBER	PART NUMBER	DESCRIPTION				QTY PER ASSY	USABLE ON CODE
		1	2	3	4		
6-48	210184	. .	. .	SPRING, DOUBLE TORSION	1		
-49*	211449	. .	. .	SCREW, TILT LIMIT	1		
-50*	110857	. .	. .	SCREW, CAP, HEX, SOCKET, 6-32 X 0.5	1		
-51*	110920	. .	. .	WASHER, FLAT, NO. 6	1		
-52	210341	. .	. .	CLAMP, RETAINER, TACH	1		
-53*	110127	. .	. .	SCREW, BH, 8-32 X 0.25	1		
-54	215011	. .	. .	COIL ASM, TACH	1		
-55	211483	. .	. .	TACH ROD ASM	1		
-56	211098	. .	. .	SWITCH ASM, HEADS RETRACT	1		
-57*	110041	. .	. .	SCREW, BH, 2-56 X 0.375	4		
	210621	. .	. .	LINEAR MOTOR ASM (EC 3409)	1		
-58	211393	. .	. .	LABEL, HEAD LOCATIONS	1		
-59	200489	. .	. .	LABEL, MAG FIELD	1		
-60*	110355	. .	. .	SCREW, CAP, HEX, SOCKET, 0.375-16 X 1.75	2		
-61*	707013	. .	. .	WASHER, FLAT, 0.375	2		
-62*	110353	. .	. .	SCREW, CAP, HEX, SOCKET, 0.375-16 X 1.25	1		
-63*	110925	. .	. .	WASHER, FLAT, 0.375	1		
-64	210622	. .	. .	FLEX CONDUCTOR ASM	1		
-65*	110084	. .	. .	SCREW, BH, 6-32 X 0.625	1		
-66	150098	. .	. .	TERMINAL TAB 0.25 RIGHT ANGLE	1		
-67	211541	. .	. .	CLAMP, GROUND FLEX CONDUIT	1		
-68*	111169	. .	. .	SCREW, BH, BRASS, 4-40 X 0.438	2		
-69*	200092	. .	. .	NUT, BOBBIN TERMINAL	2		
-70	210012	. .	. .	BOBBIN ASM	1		
-71	210010	. .	. .	STOP CARRIAGE	1		
-72	210296	. .	. .	TACH SHIELD ASM	1		
-73*	110131	. .	. .	SCREW, BH, 8-32 X 0.5	2		
-74	210739	. .	. .	BRACKET, TERMINAL MOUNT	1		
-75	110855	. .	. .	SCREW, CAP, HEX, SOCKET, 6-32 X 0.25	2		
-76	210213	. .	. .	BRACKET, CARRIAGE, RETRACT	1		
-77*	112563	. .	. .	SCREW, BUTTON HD, HEX SOCKET, 6-32 X 0.375	2		
-78	210000	. .	. .	MAGNET ASM (3361)	1		
-79	210010	. .	. .	STOP, CARRIAGE	1		
-80	210699	. .	. .	COVER, SUPPORT PLATE	1		
-81*	110129	. .	. .	SCREW, BH, 8-32 X 0.375	1		
-82	301389	. .	. .	GUIDE, CARD, NYLON	2		
-83	210147	. .	. .	PLATE, SUPPORT	1		
-84*	110081	. .	. .	SCREW, BH, 6-32 X 0.375	3		
-85	110944	. .	. .	CLAMP, CABLE, 0.187	1		
-86*	110079	. .	. .	SCREW, BH, 6-32 X 0.25	1		
-87	112361	. .	. .	CLAMP, CABLE	1		
-88*	110095	. .	. .	SCREW, 82° FLAT HD, 6-32 X 0.375	1		
-89	215017	. .	. .	SPINDLE ASM	1		
-90*	110343	. .	. .	SCREW, CAP, HEX SOCKET, 0.312-18 X 1.50	1		
-91	215849	. .	. .	SPINDLE LOCKING SHAFT ASM, 100 MB	1	A.B	
-91	215013	. .	. .	SPINDLE LOCKING SHAFT ASM, 200 MB	1	C.D	
-92	211173	. .	. .	SPINDLE SHROUD ASM	1		
-93	210232	. .	. .	COVER, END, SHROUD	1		
-94*	110129	. .	. .	SCREW, BH, 8-32 X 0.375	5		
-95	210624	. .	. .	SENSOR ASM, PACK COVER	1		
				(SEE SEC. 2 FIG. 8 FOR BREAKDOWN)	1		
-96*	110133	. .	. .	SCREW, BH, 8-32 X 0.75	3		
-97	211016	. .	. .	CLIP, ROD, SPINDLE LOCK	1		
-98	212018	. .	. .	SPINDLE GROUND ASM	1		
-99*	110039	. .	. .	SCREW, BH, 4-40 X 0.125	2		
-100	215091	. .	. .	BRACKET, SPINDLE GROUND	1		
-101*	110182	. .	. .	SCREW, BH, 10-32 X 0.375	2		
-102*	212015	. .	. .	WASHER, BRACKET	1		
	211083	. .	. .	SPINDLE LOCK ASM (EC 3132)	1		
-103*	110182	. .	. .	SCREW, BH, 10-32 X 0.375	1		
-104	210780	. .	. .	ROD ACTUATOR	1		
-105	110811	. .	. .	RING, RETAINING, EXTERNAL	1		

FIGURE & INDEX NUMBER	PART NUMBER	DESCRIPTION				QTY PER ASSY	USABLE ON CODE
		1	2	3	4		
6-106	110865	.	.	WASHER, FLAT, NYLON	2		
-107	200286	.	.	SPRING, LINKAGE	1		
-108	210781	.	.	LOCK, ACTUATOR ROD	1		
-109	600858	.	.	RING, RETAINING, EXTERNAL	1		
-110	210783	.	.	SPRING, PIVOT	1		
-111	210782	.	.	WASHER, THRUST	1		
-112	210776	.	.	PIVOT, PAWL	1		
-113	210773	.	.	PAWL, SPINDLE LOCK	1		
-114	200230	.	.	BELT, ENDLESS, FLAT, 60HZ	1	A	
-114	211672	.	.	BELT, ENDLESS, FLAT, 50HZ	1	B	
-115	210750	.	.	SPRING, EXTENSION	1		
-116	210626	.	.	DRIVE MOTOR ASM, 60HZ (SEE SEC. 2 FIG. 9 FOR BREAKDOWN)	1	A	
-116	211680	.	.	DRIVE MOTOR ASM, 50HZ (SEE SEC. 2 FIG. 9 FOR BREAKDOWN)	1	B	
-117*	210709	.	.	SCREW, SHOULDER	3		
-118*	211677	.	.	WASHER, FLAT, MOTOR PLATE	3		
-119*	210747	.	.	NUT, DRAWBAR	1		
-120*	110367	.	.	WASHER, FLAT, CADMIUM PLATED	1		
-121	210746	.	.	ROD, DRAWBAR	1		
-122	210641	.	.	GUIDE, CARRIAGE LATCH	1		
-123*	110858	.	.	SCREW, CAP, HEX SOCKET, 6-32 X .625	4		
-124	210640	.	.	SLIDE, CARRIAGE LATCH	1		
-125	210642	.	.	SPRING, CARRIAGE	1		
-126	110751	.	.	PIN, DOWEL 0.187 X 0.75	3		
	210955	.	.	DECK PLATE, SUB ASM (EC 3712)	1		
-127	200223	.	.	MOUNT, FLEX STUD	4		
-128	211658	.	.	SHIM, SHOCK MOUNT	4		
-129	210023	.	.	SPACER, MOTOR PLATE	3		
-130	210792	.	.	PLUG, CASTING CORE	2		
-131	210791	.	.	PLUG, CASTING, CORE	2		
-132	616116	.	.	PIN, DOWEL 0.093 X 0.375	1		
-133	210670	.	.	DECK PLATE	1		

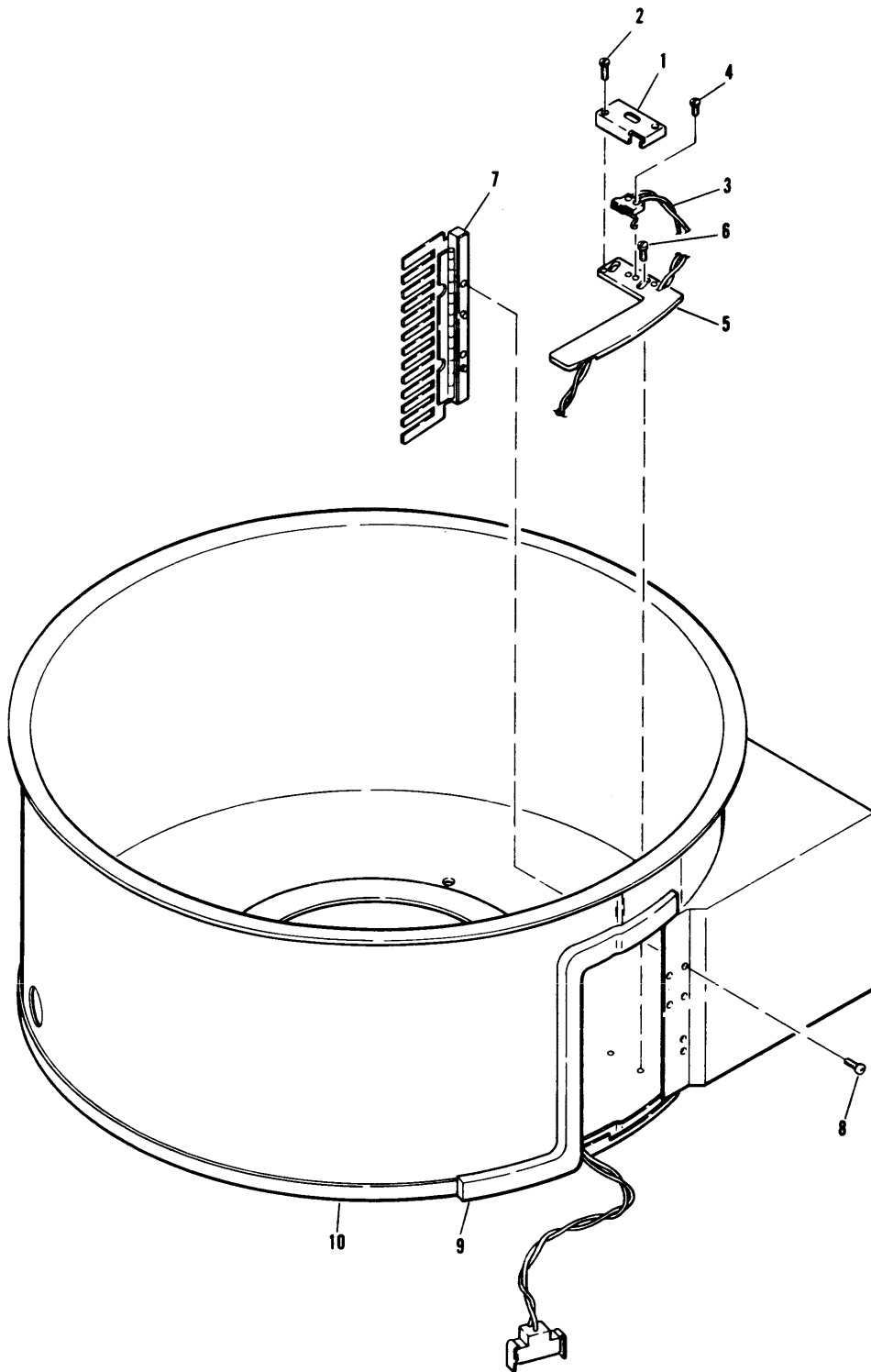


FIGURE 7. SHROUD ASM



FIGURE & INDEX NUMBER	PART NUMBER	DESCRIPTION				QTY PER ASSY	USABLE ON CODE
		1	2	3	4		
7-	215092	SHROUD ASM (SEE SEC. 2 FIG. 6-1 FOR NHA)				REF	
-1	210798	.	COVER, BAFFLE SWITCH			1	
-2*	110013	.	SCREW, BH, 2-56 X 0.312			2	
-3	211056	.	SWITCH ASM, UPSPEED			1	
-4*	110013	.	SCREW, BH, 2-56 X 0.312			2	
-5	210797	.	PLATE, MOUNTING, BAFFLE SWITCH			1	
-6*	110012	.	SCREW, BH, 2-56 X 0.25			2	
-7	210899	.	BAFFLE ASM			1	
-8*	112364	.	SCREW, BUTTON HD, HEX SOCKET, 4-40 X 0.188			2	
-9	202518	.	FOAM, ADHESIVE BACKED			A/R	
-10	215082	.	SHROUD, DISC PACK			1	

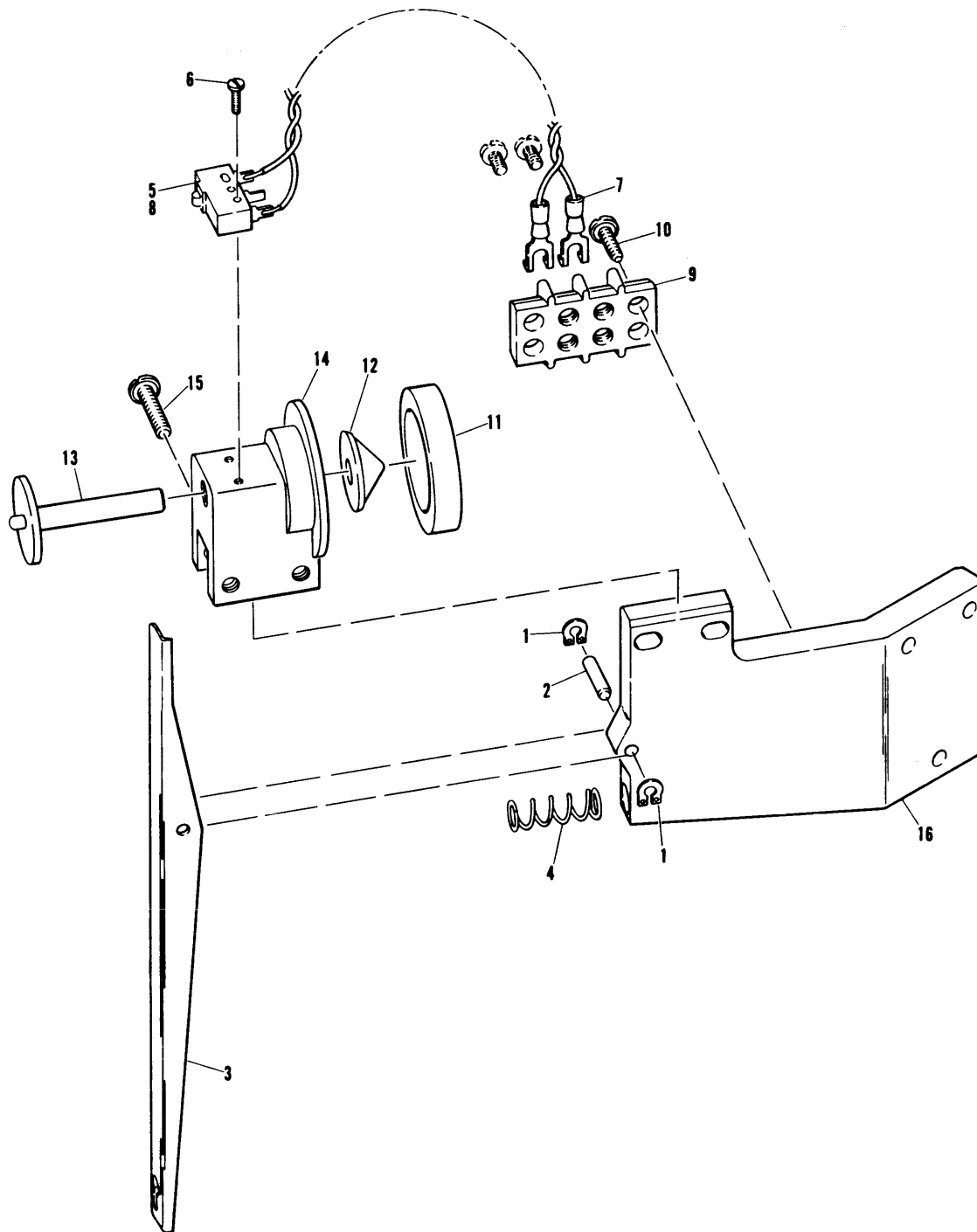


FIGURE 8. PACK COVER SENSOR ASM

FIGURE & INDEX NUMBER	PART NUMBER	DESCRIPTION				QTY PER ASSY	USABLE ON CODE
		1	2	3	4		
8-	210624	SENSOR ASM, PACK COVER (SEE SEC. 2 FIG. 6-95 FOR NHA)				REF	
-1	705116	. RING, RETAINING				2	
-2	210784	. PIN, PIVOT, SPINDLE LOCK				1	
-3	210779	. ROCKER, SWITCH				1	
-4	210785	. SPRING, RETURN				1	
-5	211092	. SWITCH ASM, COVER ON (EC 3067)				1	
-6*	110014	. SCREW, BH, 2-56 X 0.375				2	
-7	150120	. . TERMINAL, CRIMP, SPADE				2	
-8	158792	. . SWITCH				1	
-9	112379	. TERMINAL BLOCK				1	
-10*	110604	. SCREW, PAN HEAD, THREADFORMING 6-32 X 0.50				4	
-11	211916	. GASKET, SHROUD				1	
-12	210778	. PLUNGER, NOSE				1	
-13	210777	. PLUNGER, SWITCH				1	
-14	210774	. BASE, SWITCH, SPINDLE LOCK				1	
-15*	110133	. SCREW, BH 8-32 X 0.75				2	
-16	210775	. BRACKET, SPINDLE LOCK				1	

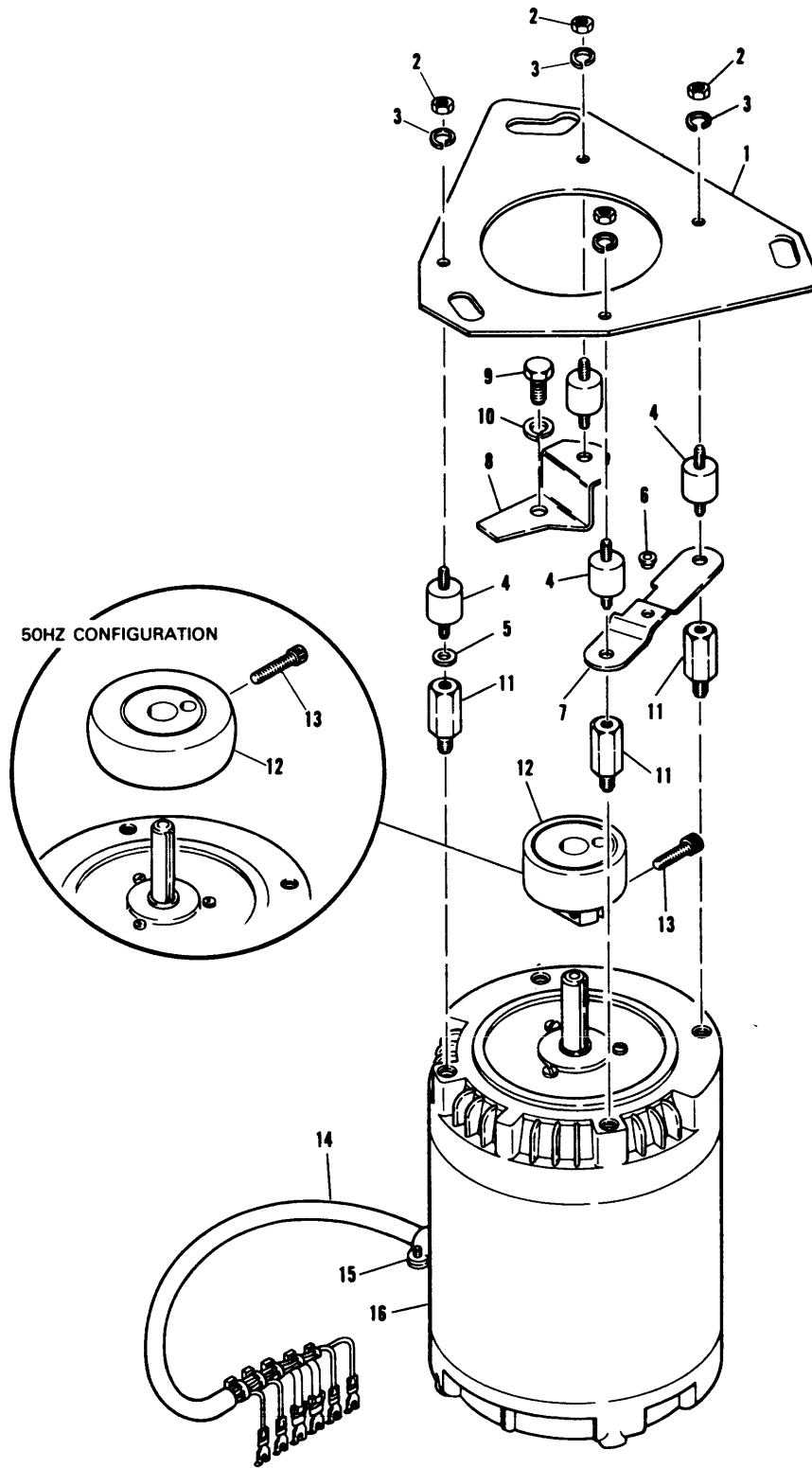


FIGURE 9. DRIVE MOTOR ASM

FIGURE & INDEX NUMBER	PART NUMBER	DESCRIPTION				QTY PER ASSY	USABLE ON CODE
		1	2	3	4		
9-		CODE A - USED ON 210626 ONLY CODE B - USED ON 211680 ONLY					
-	910626	DRIVE MOTOR ASM, 60HZ (SEE SEC. 2 FIG. 6-116 FOR NHA)				REF	A
-	211680	DRIVE MOTOR ASM, 50HZ (SEE SEC 2 FIG. 6-116 FOR NHA)				REF	B
-1	211673	. PLATE, MOTOR				1	
-2*	110580	. NUT, HEX, 0.25 X 20				4	
-3*	110374	. WASHER, LOCK				4	
-4	200223	. MOUNT, FLEX, BOLT				4	
-5	110365	. WASHER, FLAT, 0.25				1	
-6	210756	. INSULATOR, MOTOR SPRING				1	
-7	211619	. BRACKET, SPRING MOTOR PLATE				1	
-8	210387	. BRACKET, ASM, MOTOR				1	
-9*	110286	. SCREW, HEX HEAD, 0.375-6 X 0.75				1	
-10*	110376	. WASHER, LOCK				1	
-11	210388	. STUD, HEX, STANDOFF				3	
-12	210934	. PULLEY ASM, 60HZ				1	A
-12	211678	. PULLEY ASM, 50HZ				1	B
-13*	110329	. SCREW, CAP, HEX SOCKET, 0.25-20 X 1.00				1	
-14	210356	. CABLE ASM, SPINDLE, MOTOR (SEE SEC. 2 FIG. 22-2, 3, 5, 11, 20, 21, 38 52, 53, 54, 55, 56 AND 57 FOR DETAILS)				1	
-15	158801	CLAMP, CONNECTOR BOX, CABLE				1	
-16	210228	. MOTOR, DRIVE, 60HZ				1	A
-16	211479	. MOTOR, DRIVE, 50HZ				1	B

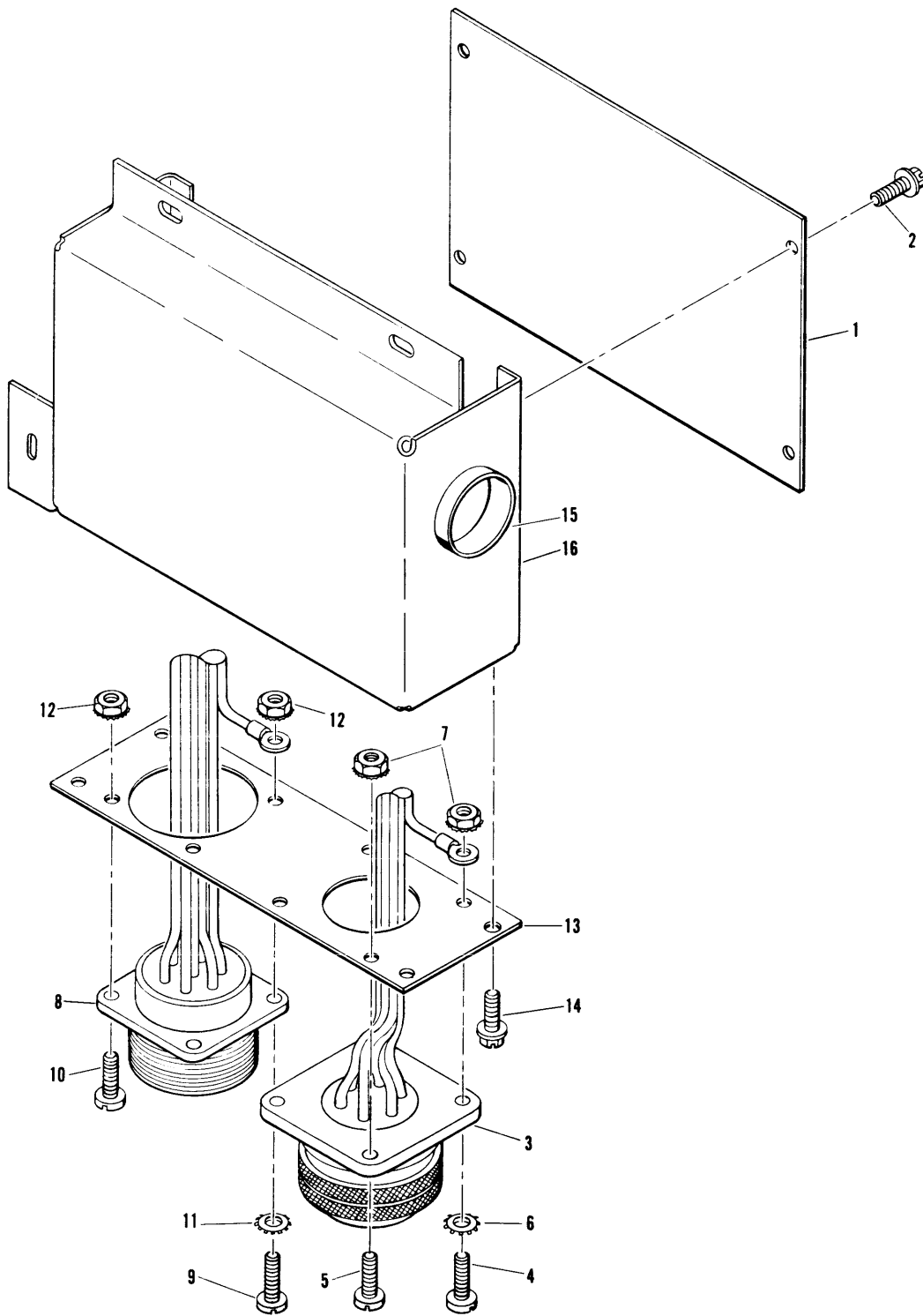


FIGURE 10. CONNECTOR BOX ASM

FIGURE & INDEX NUMBER	PART NUMBER	DESCRIPTION				QTY PER ASSY	USABLE ON CODE
		1	2	3	4		
10-	215679	AC CONNECTOR BOX ASM (SEE SEC. 2 FIG. 2-65 FOR NHA)				REF	
-1	215670	. COVER, CONNECTOR BOX				1	
-2*	700563	. SCREW, THREADFORMING 8-32 X 0.38				4	
-3	215712	. CABLE ASM, POWER CONNECTOR (SEE SEC. 2 FIG. 22-2, 9, 35 AND 37 FOR DETAILS)				1	
-4*	110084	. SCREW, BH, 6-32 X 0.625				1	
-5*	110083	. SCREW, BH, 6-32 X 0.50				3	
-6*	110380	. WASHER, LOCK, EXTERNAL TOOTH, NO. 6				1	
-7*	110841	. NUT, HEX, KEPS, 6-32				4	
-8	215713	. CABLE ASM, POWER CONNECTOR (SEE SEC. 2 FIG. 22-2, 9, 34 AND 37 FOR DETAILS)				1	
-9*	110084	. SCREW, BH, 6-32 X 0.625				1	
-10*	110083	. SCREW, BH, 6-32 X 0.50				3	
-11*	110380	. WASHER, LOCK, EXTERNAL TOOTH, NO. 6				1	
-12*	110841	. NUT, HEX, KEPS, 6-32				4	
-13	215669	. INSULATOR, CONNECTOR BOX				1	
-14*	700563	. SCREW, THREADFORMING 8-32 X 0.38				4	
-16	110910	. BUSHING, SNAP				1	
-16	215668	. BOX, CONNECTOR				1	

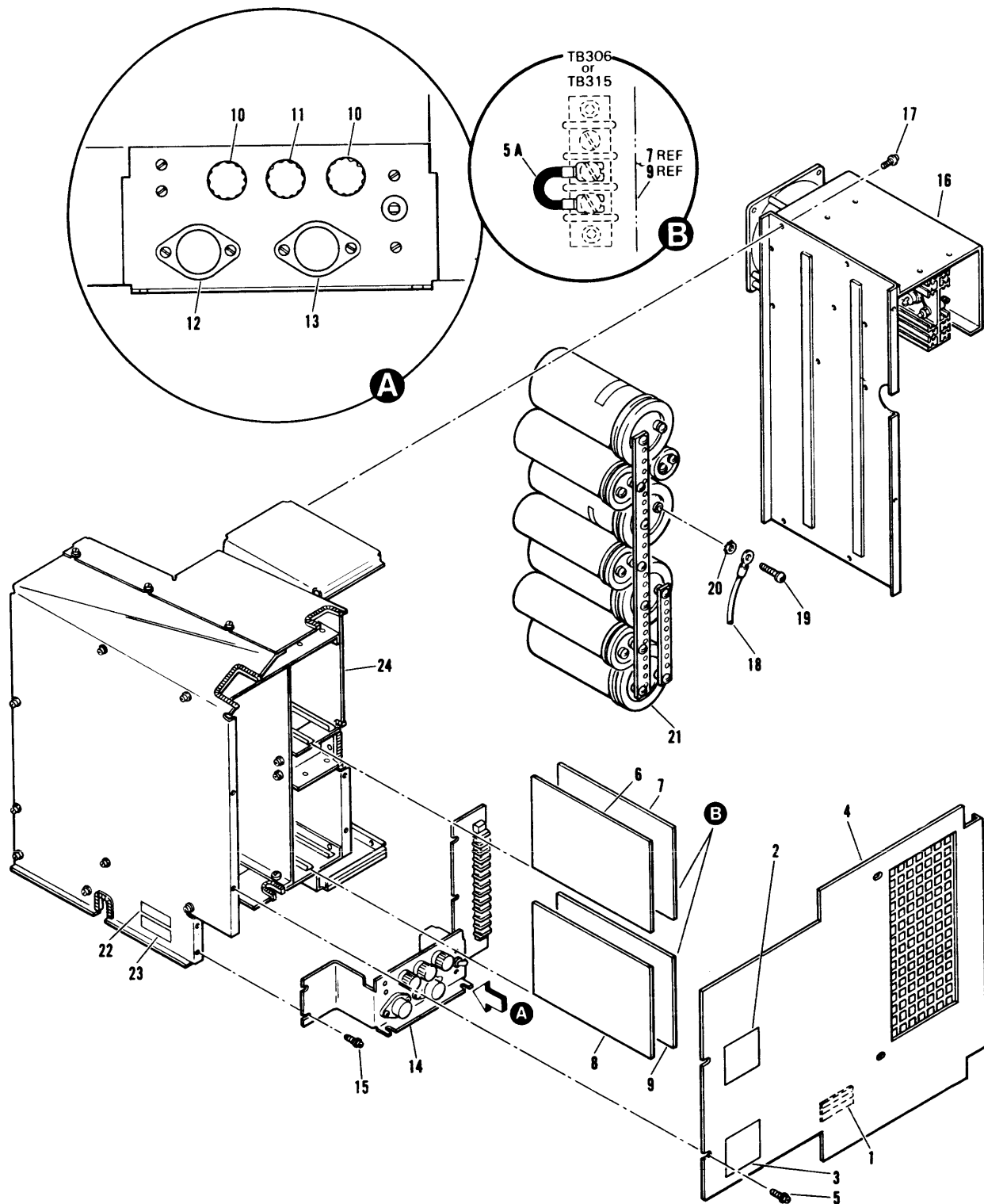


FIGURE 11. POWER SUPPLY ASM



FIGURE & INDEX NUMBER	PART NUMBER	DESCRIPTION				QTY PER ASSY	USABLE ON CODE
		1	2	3	4		
11-	215640	POWER SUPPLY ASM (SEE SEC. 2 FIG. 2-75 FOR NHA)				REF	
-1	503338	. NEOPRENE, CLOSED CELL, STRIP				A/R	
-2	508331	. LABEL, CAUTION				1	
-3	508332	. LABEL, WARNING, SHOCK HAZARD				1	
-4	215646	. COVER, POWER SUPPLY				1	
-5*	700563	. SCREW, THREADFORMING, 8-32 X 0.375				4	
-5A	215724	. JUMPER ASM (SEE SEC. 2 FIG. 22-17 FOR DETAILS)				2	
	215750	. PCB LIST, POWER SUPPLY					
-6	011711	. . PCB ASM, +5V REGULATOR				1	
-7	012786	. . PCB ASM, -5.2V REGULATOR				1	
-8	011066	. . PCB ASM, +15V REGULATOR				1	
-9	011071	. . PCB ASM, -15V REGULATOR				1	
-10	150460	. FUSE, SLOW BLOW, 5 AMP				2	
-11	150465	. FUSE, 0.25 AMP				1	
-12	150462	. FUSE, SLOW BLOW, 8 AMP				1	
-13	112260	. FUSE, SLOW BLOW, FIBER, 12 AMP				1	
-14	215677	. CONTROL ASM, POWER SUPPLY (SEE SEC. 2 FIG. 12 FOR BREAKDOWN)				1	
-15*	700563	. SCREW, THREADFORMING, 8-32 X 0.375				4	
-16	215673	. RECTIFIER ASM, POWER SUPPLY (SEE SEC. 2 FIG. 13 FOR BREAKDOWN)				1	
-17*	700563	. SCREW, THREADFORMING, 8-32 X 0.375				4	
-18	215698	. CABLE ASM, CAP. REG. (SEE SEC. 2 FIG. 22-2, 6, 8, 9, 11, 13, 15, 17, 19, 22 AND 37 FOR DETAILS)				1	
-19*	110079	. SCREW, BH, 6-32 X 0.25				20	
-20*	110386	. WASHER, LOCK, EXTERNAL TOOTH, NO. 6				20	
-21	215676	. CAPACITOR ASM, POWER SUPPLY (SEE SEC. 2 FIG. 15 FOR BREAKDOWN)				1	
-22	201411	. LABEL, PART NUMBER				1	
-23	201416	. LABEL, EC NUMBER				1	
-24	215650	. HOUSING ASM, POWER SUPPLY (SEE SEC. 2 FIG. 16 FOR BREAKDOWN)				1	

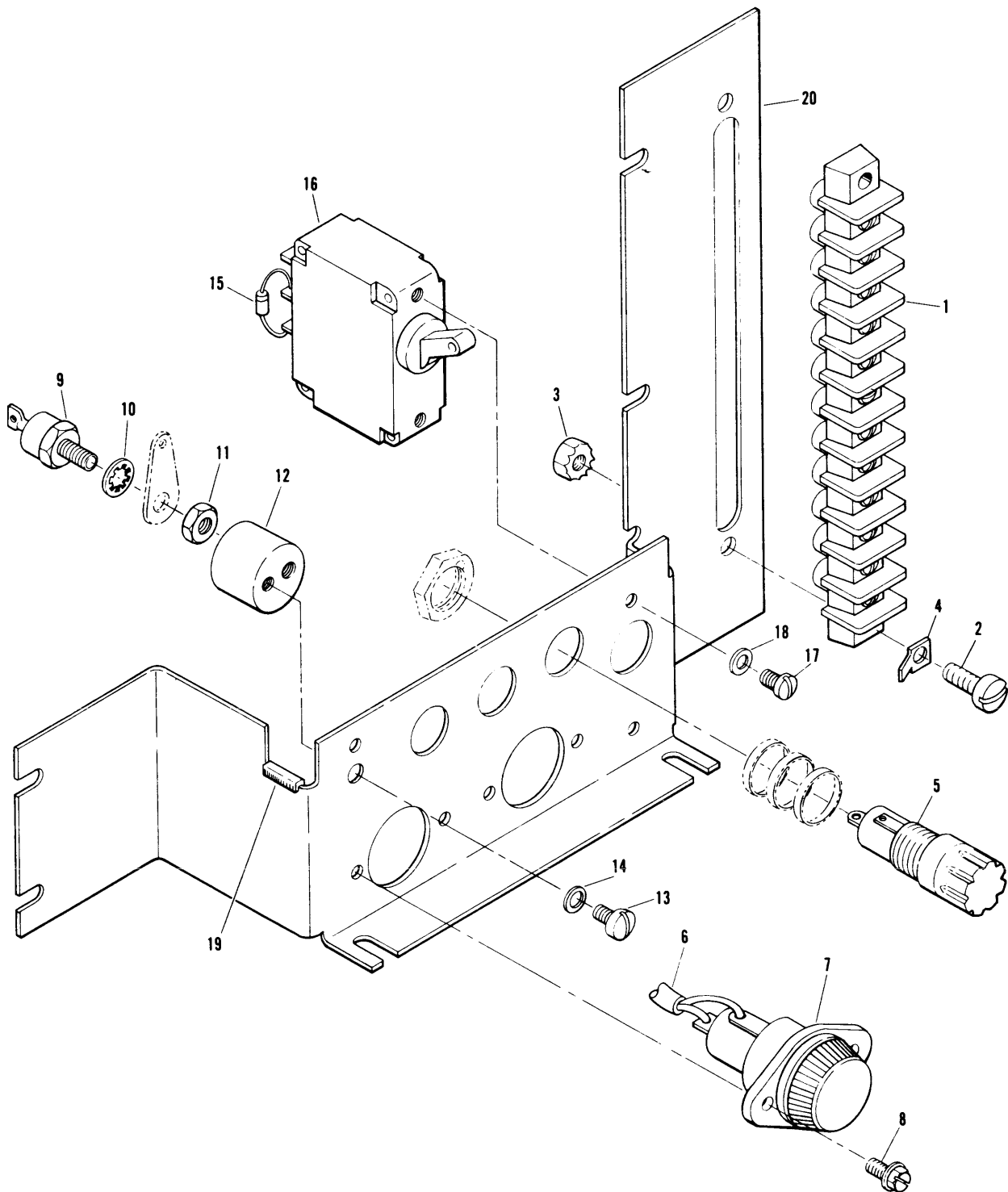


FIGURE 12. CONTROL PANEL ASM

FIGURE & INDEX NUMBER	PART NUMBER	DESCRIPTION				QTY PER ASSY	USABLE ON CODE
		1	2	3	4		
12-	215677	POWER SUPPLY CONTROL PANEL ASM (SEE SEC 2 FIG. 11-14 FOR NHA)				REF	
-1	112253	. TERMINAL BLOCK, THROUGH				1	
-2*	110132	. SCREW, BH, 8-32 X 0.625				2	
-3*	110842	. NUT, HEX, KEPS, 8-32				2	
-4	150098	. TERMINAL, TAB, 0.25				1	
-5	150481	. FUSE HOLDER, PANEL MOUNT				3	
-6	215696	. HARNESS ASM, 50-24V OUTPUT (SEE SEC. 2 FIG. 22-2, 6, 7, 8, 9, 10, 25 AND 37 FOR DETAILS)					
-7	150482	. FUSE HOLDER, PANEL MOUNT				2	
-8*	700559	. SCREW, THREADFORMING, 6-32 X 0.375				4	
-9	157498	. RECTIFIER, SILICON, IN3890 (CR 300)				1	
-10	110388	. WASHER, LOCK, INTERNAL TOOTH, NO. 10				1	
-11	110579	. NUT, HEX, 10-32				1	
-12	210860	. STANDOFF, DIODE				1	
-13*	110129	. SCREW, BH, 8-32 X 0.375				1	
-14*	110381	. WASHER, LOCK, EXTERNAL TOOTH, NO. 8				1	
-15	150857	. RECTIFIER, IN4003				1	
-16	112259	. BREAKER, CIRCUIT, 1-3 POLE				1	
-17*	110079	. SCREW, BH, 6-32 X 0.25				2	
-18*	110374	. WASHER, LOCK, NO. 6				2	
-19	111457	. GROMMET, STRIP				1	
-20	215655	. PANEL, CONTROL POWER SUPPLY				1	

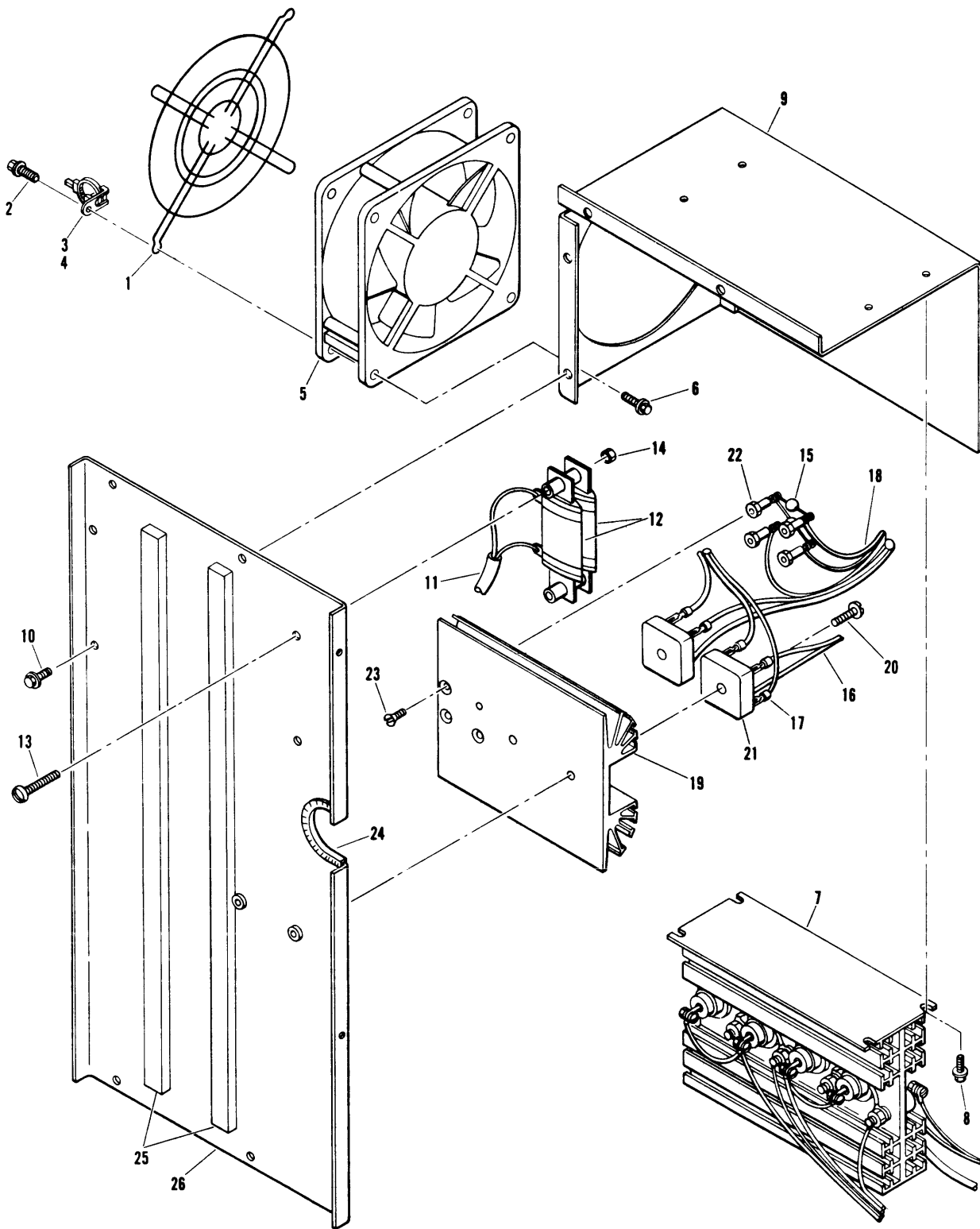


FIGURE 13. RECTIFIER ASM

FIGURE & INDEX NUMBER	PART NUMBER	DESCRIPTION				QTY PER ASSY	USABLE ON CODE
		1	2	3	4		
13-	215673	POWER SUPPLY RECTIFIER ASM (SEE SEC. 2 FIG. 11-16 FOR NHA)				REF	
-1	150522	. FINGER GUARD, BLOWER				1	
-2*	700563	. SCREW, THREADFORMING, 8-32 X 0.38				4	
-3	005046	. TIE, CABLE STRAP				1	
-4	701721	. MOUNT, CABLE TIE				1	
-5	158849	. FAN, MINIATURE				1	
-6*	700563	. SCREW, THREADFORMING, 8-32 X 0.38				4	
-7	215767	. HEAT SINK ASM, POWER SUPPLY (SEE SEC. 2 FIG. 14 FOR BREAKDOWN)				1	
-8*	700563	. SCREW, THREADFORMING, 8-32 X 0.38				4	
-11	215716	. CABLE ASM, 4.8 RECTIFIER-CAPACITOR POWER SUPPLY (SEE SEC. 2 FIG. 22-2, 8, 9 AND 37 FOR DETAILS)				1	
-12	158758	. RESISTOR, POWER, WIREWOUND				2	
-13*	110136	. SCREW, BH, 8-32 X 1.125				2	
-14*	110842	. NUT, HEX, KEPS, 8-32				2	
-15	150852	. DIODE, SILICON RECTIFIER, A15A				2	
-16	215694	. CABLE, ASM AC RECTIFIER (SEE SEC. 2 FIG. 22-2, 24, 37, 47 AND 48 FOR DETAILS)				1	
-17	215697	. HARNESS, ASM POWER SUPPLY 15V AND +24V (SEE SEC. 2 FIG. 22-2, 6, 8, 9, 11 23, 24, AND 37 FOR DETAILS)				1	
-18	215717	. HARNESS ASM POWER SUPPLY, AC RECTIFIER (SEE SEC. 2 FIG. 22-2, 23, 24, 37, 45, 46, 49 AND 50 FOR DETAILS)				1	
-19	215644	. HEAT SINK				1	
-20*	110136	. SCREW, BH, 8-32 X 0.875				2	
21	506342	. RECTIFIER, FW BRIDGE				2	
-22	200541	. TERMINAL, STANDOFF, INSULATED				4	
-23*	110094	. SCREW, 82° FLAT HD, 6-32 X 0.25				4	
-24	111457	. GROMMET STRIP				A/R	
-25	503338	. NEOPRENE, CLOSE CELL STRIP				A/R	
-26	215652	. COVER, CAPACITOR BRACKET				1	

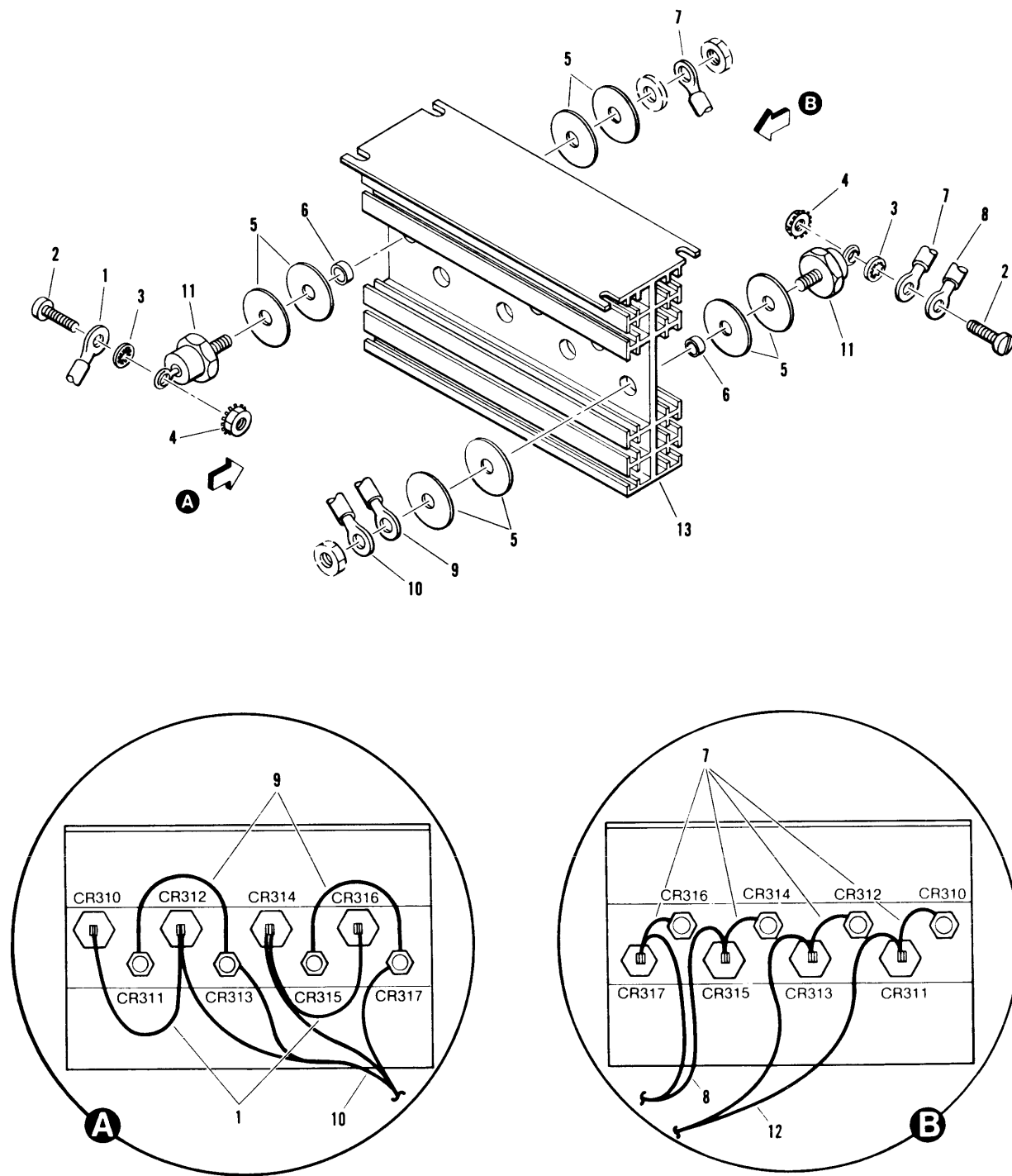


FIGURE 14. HEAT SINK ASM

FIGURE & INDEX NUMBER	PART NUMBER	DESCRIPTION				QTY PER ASSY	USABLE ON CODE
		1	2	3	4		
14-	215767	HEAT SINK ASM, POWER SUPPLY (SEE SEC. 2 FIG. 13-7 FOR NHA)				REF	
-1	215737	JUMPER ASM, RECTIFIER (SEE SEC. 2 FIG. 22-14 FOR DETAILS)				2	
-2*	110129	SCREW, BH, 8-32 X 0.375				8	
-3*	110387	WASHER, LOCK, INTERNAL TOOTH, NO. 8				8	
-4*	110842	NUT, HEX, KEPS, 8-32				8	
-5	112337	WASHER, FLAT, MICA				32	
-6	112346	SPACER, TUBULAR, TEFLON				8	
-7	215738	JUMPER ASM, RECTIFIER (SEE SEC. 2 FIG. 22-14 AND 16 FOR DETAILS)				4	
-8	215693	CABLE ASM, AC RECTIFIER (SEE SEC. 2 FIG. 22-2, 14, 25, 37, 54 AND 56 FOR DETAILS)				1	
-9	215736	JUMPER ASM, RECTIFIER (SEE SEC. 2 FIG. 22-16 FOR DETAILS)				2	
-10	215715	HARNESS ASM, POWER SUPPLY, 5V AND 50V (SEE SEC. 2 FIG. 22-2, 9, 10, 12, 13, 14, 15, 16, 37 AND 55 FOR DETAILS)				1	
-11	157496	DIODE, RECTIFIER 40A				8	
-12	215695	CABLE ASM, AC RECTIFIER (SEE SEC. 2 FIG. 22-2, 14, 25, 37, 54, 55 AND 56 FOR DETAILS)				1	
-13	215643	HEAT SINK				1	

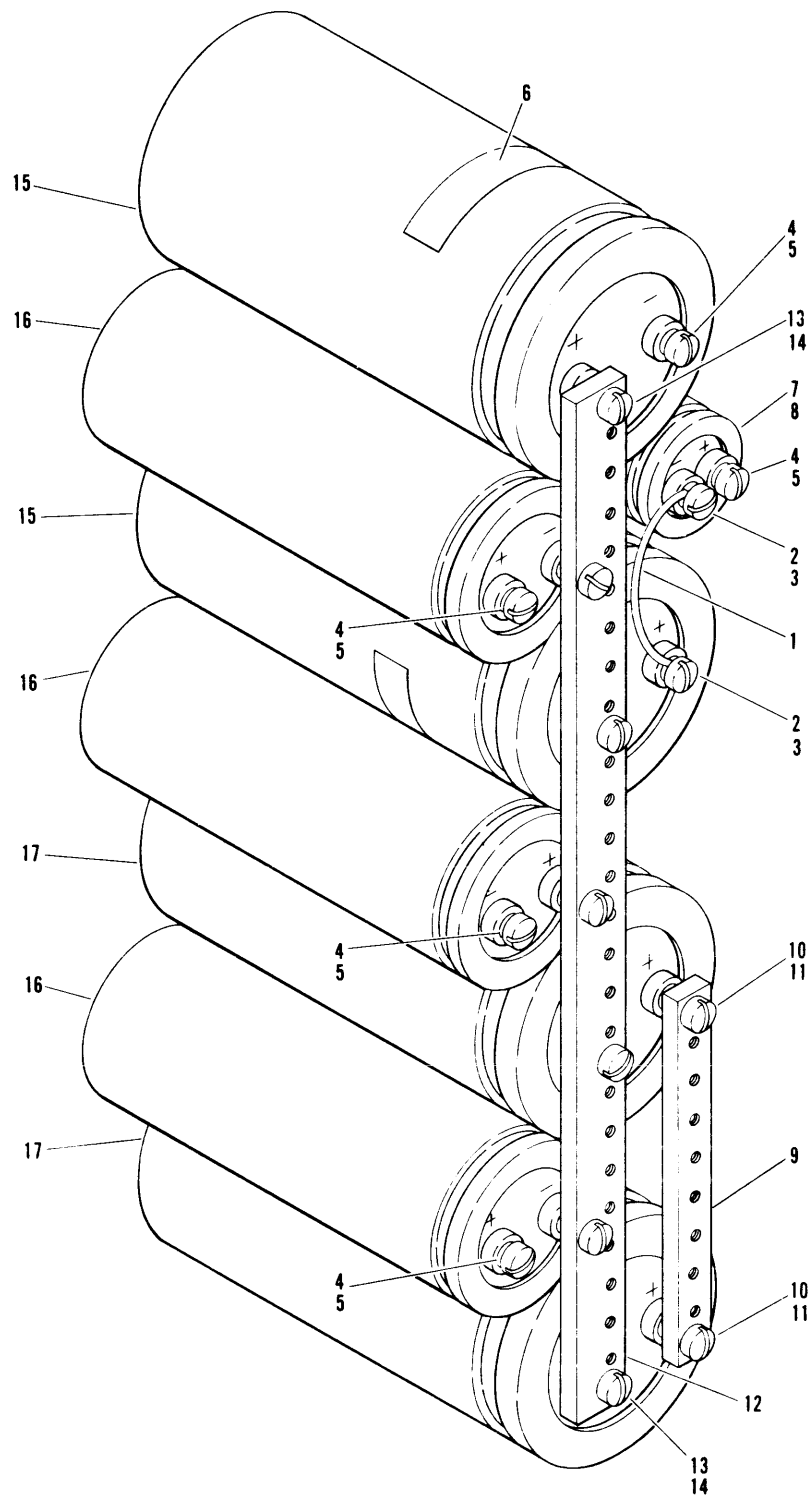


FIGURE 15. CAPACITOR ASM



FIGURE & INDEX NUMBER	PART NUMBER	DESCRIPTION				QTY PER ASSY	USABLE ON CODE
		1	2	3	4		
15-	215676					REF	
-1	215700					1	
-2*	110181					2	
-3*	110388					2	
-4*	110181					5	
-5*	110388					5	
-6	112692					A/R	
-7	005080					1	
-8	503338					A/R	
-9	215642					1	
-10*	110184					2	
-11*	110388					2	
-12	215641					1	
-13*	110184					7	
-14*	110388					7	
-15	150947					2	
-16	150958					3	
-17	150935					2	

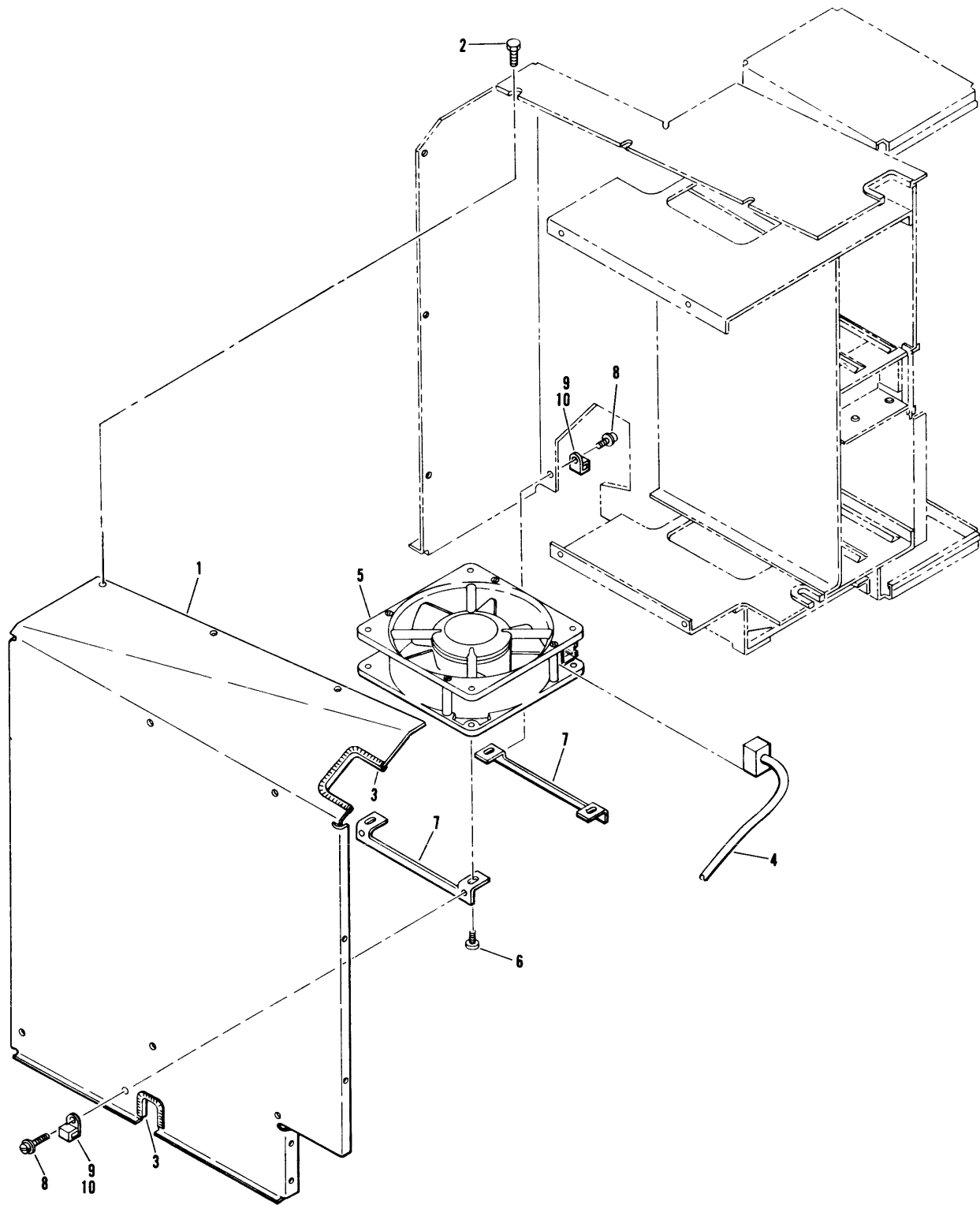


FIGURE 16. HOUSING ASM (SHEET 1 OF 2)

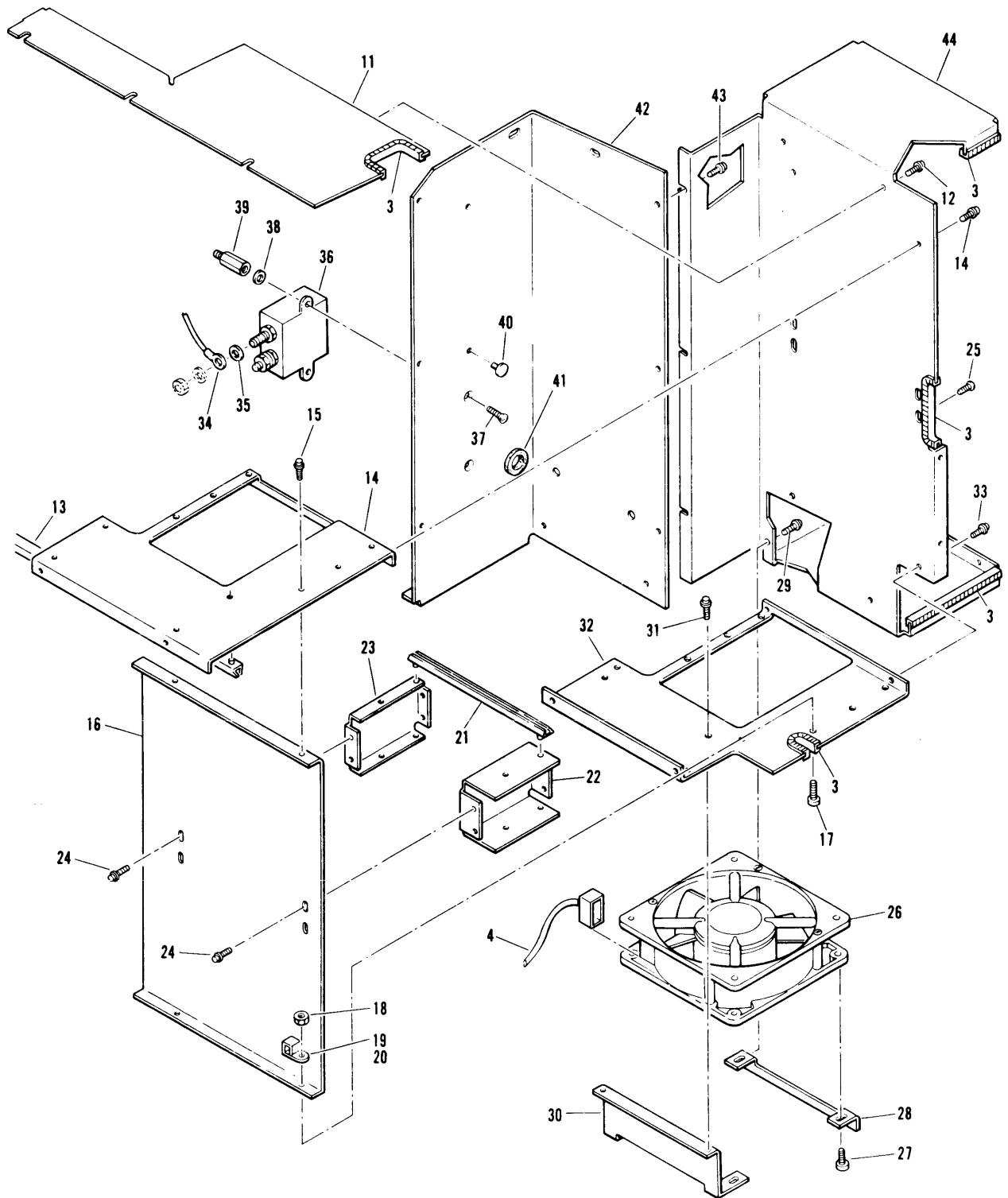


FIGURE 16. HOUSING ASM (SHEET 2 OF 2)

FIGURE & INDEX NUMBER	PART NUMBER	DESCRIPTION				QTY PER ASSY	USABLE ON CODE
		1	2	3	4		
16-	215650	HOUSING ASM, POWER SUPPLY (SEE SEC. 2 FIG. 11-24 FOR NHA)				REF	
-1	215648	. PANEL, LEFT SIDE				1	
-2*	700558	. SCREW, THREADFORMING, 6-32 X 0.25				10	
-3	111457	. GROMMET STRIP, NYLON				A/R	
-4	215704	. HARNESS ASM, POWER SUPPLY, FAN (SEE SEC. 2 FIG. 22-2, 4, 18, 36 AND 37 FOR DETAILS)				1	
-5	158849	. FAN, MINIATURE				1	
-6*	700563	. SCREW, THREADFORMING, 8-32 X 0.375				4	
-7	215674	. BRACKET, FAN				2	
-8*	700558	. SCREW, THREADFORMING, 6-32 X 0.25				4	
-9	701721	. MOUNT, CABLE TIE				4	
-10	005046	. CABLE TIE				4	
-11	215654	. COVER, TOP				1	
-12*	700558	. SCREW, THREADFORMING, 6-32 X 0.25				5	
-13	301068	. GUIDE, PCB				2	
-14	215659	. SUPPORT, UPPER PCBS				1	
-15*	700558	. SCREW, THREADFORMING, 6-32 X 0.25				4	
-16	215649	. PANEL, CENTER				1	
-17*	110081	. SCREW, BH, 6-32 X 0.375				2	
-18*	110841	. NUT, HEX, KEPS, 6-32				2	
-19	701721	. MOUNT, CABLE TIE				2	
-20	005046	. CABLE TIE				2	
-21	701103	. GUIDE, PCB				4	
-22	215656	. BRACKET, PCB, FRONT				1	
-23	215657	. BRACKET, PCB, REAR				1	
-24*	700558	. SCREW, THREADFORMING, 6-32 X 0.25				4	
-25*	111221	. SCREW, PAN HD, THREADFORMING, 6-32 X 0.25 ITEMS 24 and 25 ARE ATTACHING PART FOR ITEMS 22 AND 23				4	
-26	158849	. FAN, MINIATURE				1	
-27*	700563	. SCREW, THREADFORMING, 6-32 X 0.375				4	
-28	215674	. BRACKET, FAN				1	
-29*	700558	. SCREW, THREADFORMING, 6-32 X 0.25				2	
-30	215675	. BRACKET, FAN, CENTER				1	
-31*	700558	. SCREW, THREADFORMING, 6-32 X 0.25				2	
-32	215658	. SUPPORT, LOWER, PCB				1	
-33*	700558	. SCREW, THREADFORMING, 6-32 X 0.25				2	
THE FOLLOWING ITEMS ARE NOT PART OF THIS ASM							
-34	215703	HARNESS ASM, DYNAMIC BRAKE, AC (SEE SEC. 2 FIG. 17-12 FOR BREAKDOWN)				REF	
-35	110387	. WASHER, LOCK, INTERNAL TOOTH, NO. 8				4	
-36	158798	. FILTER, LINE, RFI				1	
-37*	110146	. SCREW, 82° FLAT HD, 8-32 X 0.375				2	
-38*	110381	. WASHER, LOCK, EXTERNAL TOOTH, NO. 8				2	
-39	112570	. STANDOFF, HEX, MALE/FEMALE				2	
-40	112184	. BUMPER, BUTTON				2	
-41	111196	. BUSHING, SNAP, NYLON				1	
-42	215653	. PANEL, REAR				1	
-43*	700558	. SCREW, THREADFORMING, 6-32 X 0.25				3	
-44	215651	. BASKET, CAPACITOR PANEL, RIGHT SIDE				1	

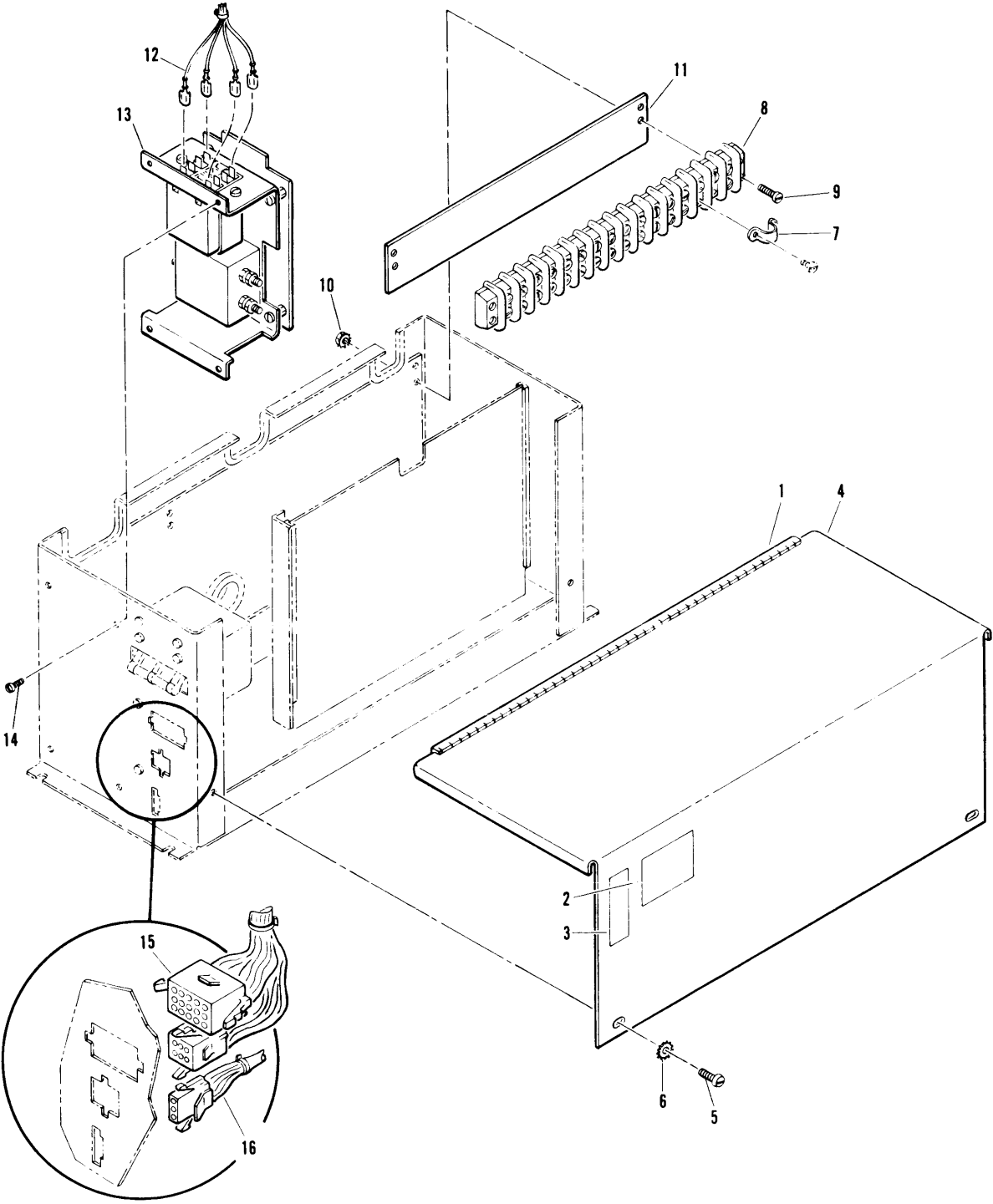


FIGURE 17. POWER DISTRIBUTION UNIT ASM (SHEET 1 OF 2)

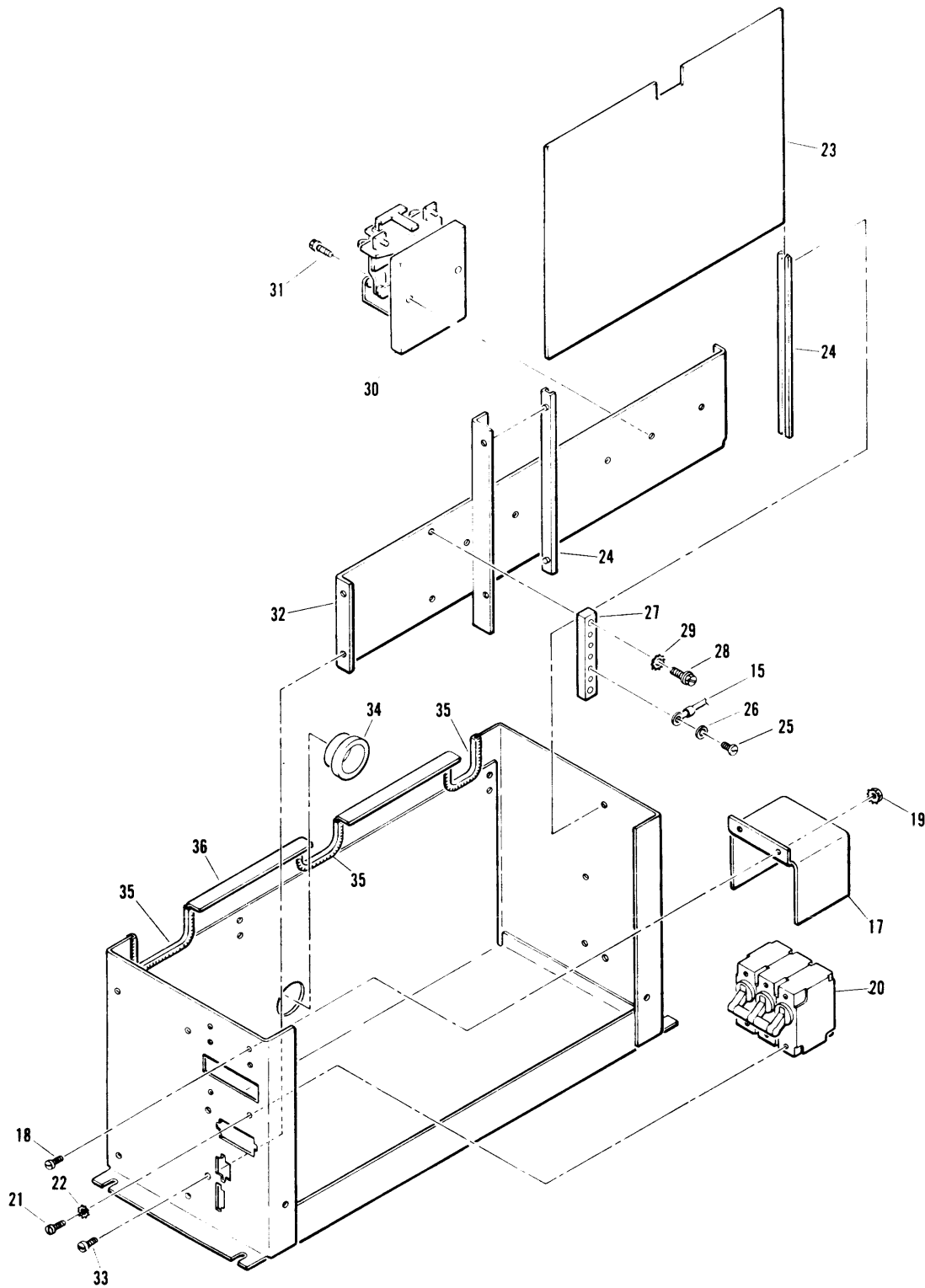


FIGURE 17. POWER DISTRIBUTION UNIT ASM (SHEET 2 OF 2)

FIGURE & INDEX NUMBER	PART NUMBER	DESCRIPTION				QTY PER ASSY	USABLE ON CODE
		1	2	3	4		
17-	215681	POWER DISTRIBUTION UNIT ASM (SEE SEC. 2 FIG. 2-79 FOR NHA)				REF	
-1	111457	. GROMMET, STRIP				A/R	
-2	304059	. LABEL, MAIN DISCONNECT SWITCH				1	
-3	304064	. LABEL, A/M ON/OFF				1	
-4	215636	. COVER, POWER DISTRIBUTION				1	
-5*	110180	. SCREW, BH, 10-32 X 0.25				2	
-6*	110382	. WASHER, LOCK, EXTERNAL TOOTH, NO. 6				2	
-7	150368	. JUMPER, TERMINAL BLOCK				3	
-8	112339	. TERMINAL BLOCK				1	
-9*	110133	. SCREW, BH, 8-32 X 0.75				4	
-10*	110842	. NUT, HEX, KEPS, 8-32				4	
-11	112441	. MARKER, TERMINAL STRIP				1	
-12	215703	. HARNESS ASM, DYNAMIC BRAKE CONTROL (SEE SEC. 2 FIG. 22-2, 10, 17, 19, 20, 21, 24, 26 AND 37 FOR DETAILS)				1	
-13	215663	. ARC SUPPRESSOR ASM (SEE SEC. 2 FIG. 18 FOR BREAKDOWN)				1	
-14*	700563	. SCREW, THREADFORMING, 8-32 X 0.375				4	
15	215705	. CABLE ASM, DYNAMIC BRAKE CONTROL (SEE SEC. 2 FIG. 22-2, 9, 13, 14, 19, 20, 21, 24, 28, 31, 33 AND 37 FOR DETAILS)				1	
-16	215702	. HARNESS ASM, AC CONTROLLER INPUT (SEE SEC. 2 FIG. 22-2, 9, 10, 20, 24, 28, 30 AND 37 FOR DETAILS)				1	
-17	211582	. COVER, CIRCUIT BREAKER				1	
-18*	110081	. SCREW, BH, 6-32 X 0.375				2	
19*	110841	. NUT, HEX, KEPS, 6-32				2	
-20	112331	. CIRCUIT BREAKER, 3-POLE				1	
-21*	110078	. SCREW, BH, 6-32 X 0.188				4	
-22*	110380	. WASHER, LOCK, EXTERNAL TOOTH, NO. 6				4	
-23	012771	. PCB ASM, DYNAMIC BRAKING				1	
-24	701103	. GUIDE, CARD				1	
-25*	110079	. SCREW, BH, 6-32 X 0.25				5	
-26*	110380	. WASHER, LOCK, EXTERNAL TOOTH, NO. 6				5	
-27	215665	. BUS BAR				1	
-28*	700765	. SCREW, THREADFORMING, 8-32 X 0.625				2	
-29*	110381	. WASHER, LOCK, EXTERNAL TOOTH, NO. 8				2	
-30	005015	. RELAY, POWER, DPDT				3	
-31*	700565	. SCREW, THREADFORMING, 8-32 X 0.625				6	
-32	215662	. MOUNT, RELAY				1	
-33*	700563	. SCREW, THREADFORMING, 8-32 X 0.375				4	
-34	110910	. BUSHING, SNAP				1	
-35	111457	. GROMMET, STRIP				A/R	
-36	215635	. HOUSING, POWER DISTRIBUTION UNIT				1	

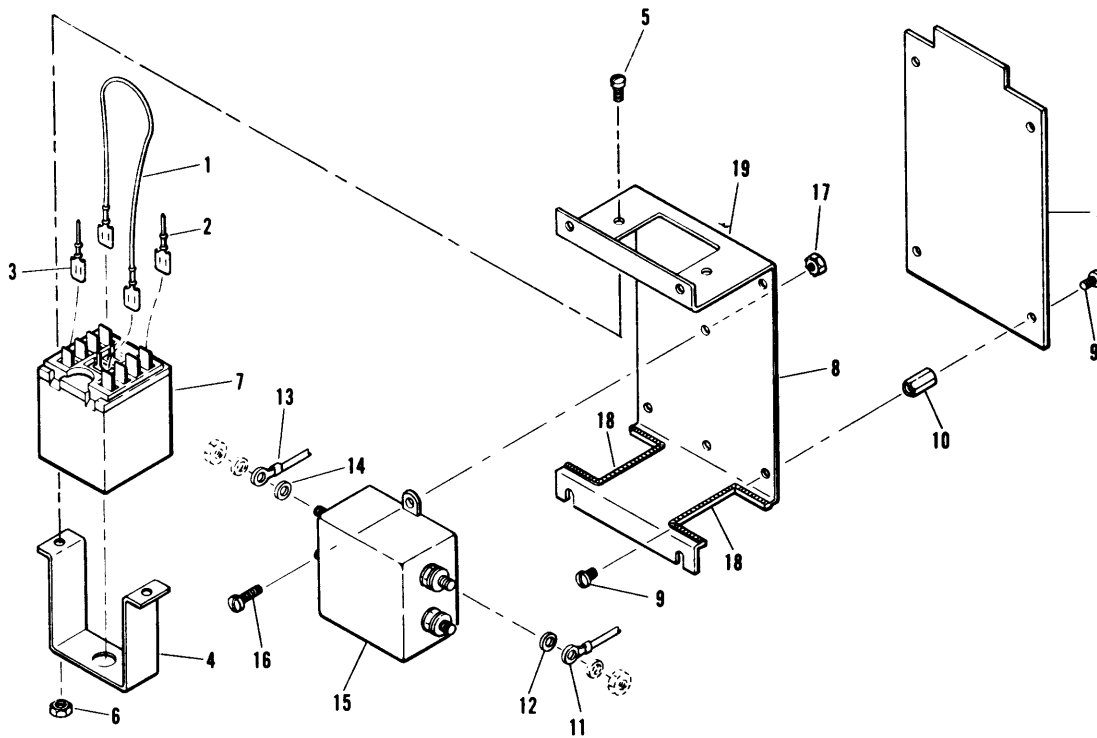


FIGURE 18. ARC SUPPRESSOR ASM

FIGURE & INDEX NUMBER	PART NUMBER	DESCRIPTION	1 2 3 4				QTY PER ASSY	USABLE ON CODE
			1	2	3	4		
18-	215663	ARC SUPPRESSOR ASM (SEE SEC. 2 FIG. 17-13 FOR NHA)					REF	
-1	215707	JUMPER ASM, RELAY AC (SEE SEC. 2 FIG. 22-24 FOR DETAILS)					1	
-2	215710	JUMPER ASM, RELAY AC (SEE SEC. 2 FIG. 22-19 AND 24 FOR DETAILS)					1	
-3	215709	JUMPER ASM, RELAY AC (SEE SEC. 2 FIG. 22-19 AND 24 FOR DETAILS)					1	
-4	215661	STRAP, RELAY					1	
-5*	110128	SCREW, BH, 8-32 X 0.312					2	
-6*	110842	NUT, HEX, KEPS, 8-32					2	
-7	158740	RELAY, POWER					1	
-8	012121	PCB ASM, ARC SUPPRESSOR					1	
-9*	110078	SCREW, BH, 6-32 X 0.188					8	
-10*	110890	SPACER, HEX					4	
-11	215708	JUMPER ASM, RELAY AC (SEE SEC. 2 FIG. 22-9 AND 10 FOR DETAILS)					1	
-12*	110387	WASHER, LOCK, INTERNAL TOOTH, NO. 8					1	
-13	215701	CABLE ASM 50V DC BREAKER (SEE SEC. 2 FIG. 22-2, 10, 20 AND 37 FOR DETAILS)					1	
-14*	110387	WASHER, LOCK, INTERNAL TOOTH, NO. 8					2	
-15	158798	FILTER, LINE, RFI					1	
-16*	110080	SCREW, BH, 6-32 X 0.312					2	
-17*	110841	NUT, HEX, KEPS, 6-32					2	
-18	111457	GROMMET, STRIP					A/R	
-19	215639	BRACKET, RELAY					1	



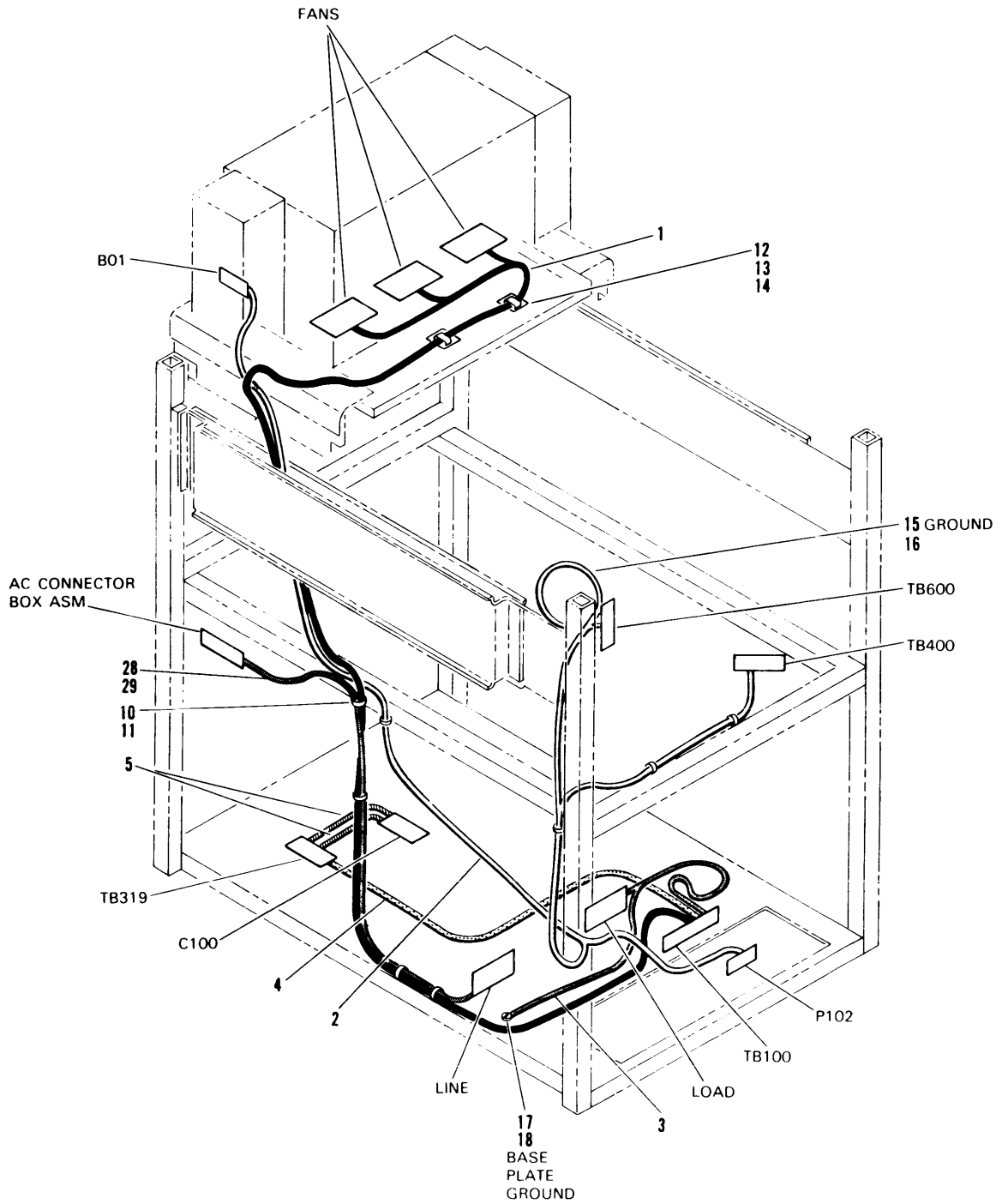


FIGURE 19. DRIVE CABLE ROUTING ASM (SHEET 1 OF 2)

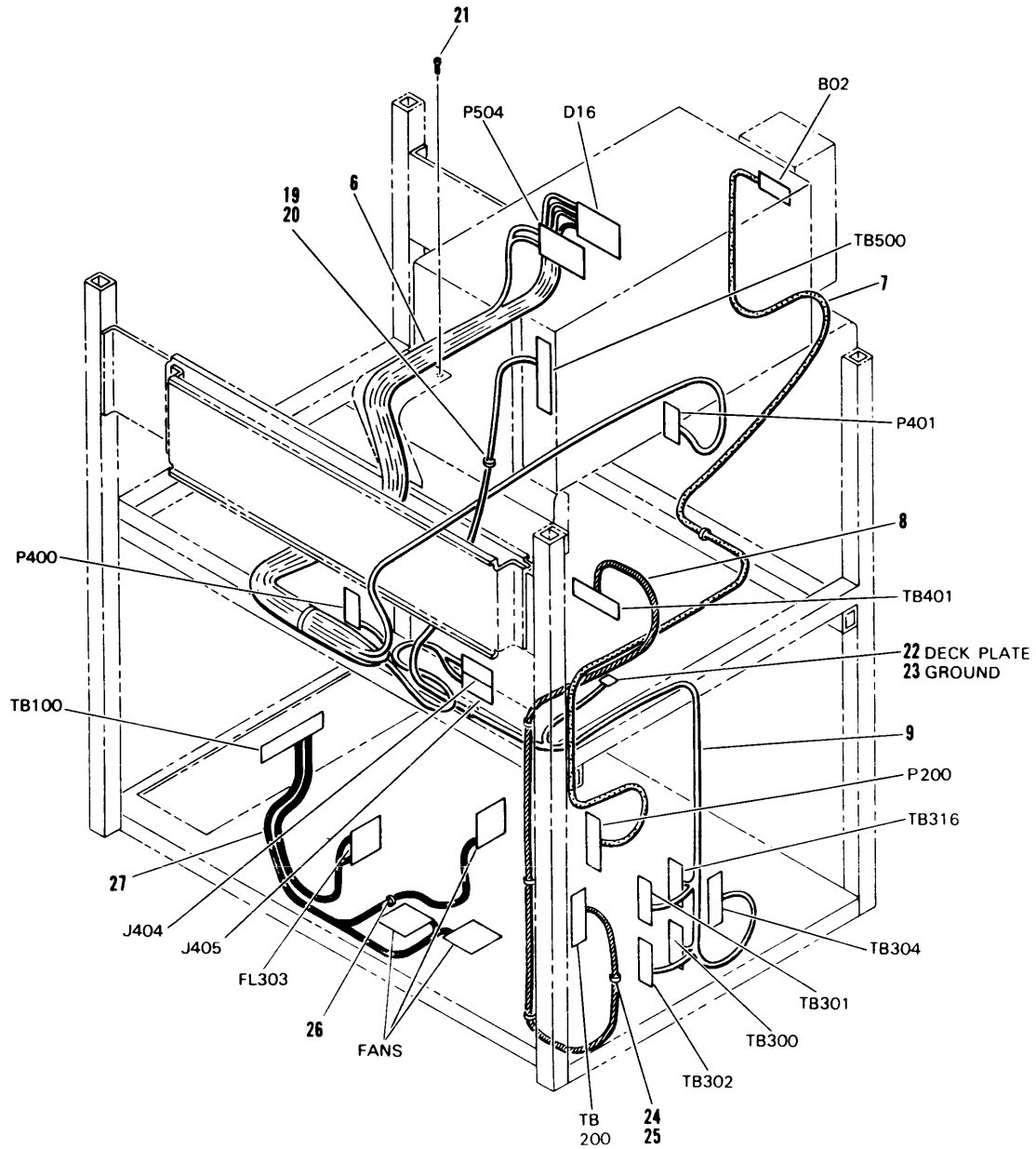


FIGURE 19. DRIVE CABLE ROUTING ASM (SHEET 2 OF 2)

FIGURE & INDEX NUMBER	PART NUMBER	DESCRIPTION				QTY PER ASSY	USABLE ON CODE
		1	2	3	4		
19-	215740	DRIVE CABLE ROUTING ASM				REF	
-1	201301	. CABLE ASM, LOGIC FAN (SEE SEC. 2 FIG. 22-1, 4, 17, 36 AND 37 FOR DETAILS)				1	
-2	215731	. CABLE ASM, AC CONTROL (SEE SEC. 2 FIG. 22-1, 3, 17, 39, 40, 41, 42, 58, 59, 60 AND 61 FOR DETAILS)				1	
-3	215718	. CABLE ASM, GROUND FROM FILTER (SEE SEC. 2 FIG. 22-14 FOR DETAILS)				1	
-4	215699	. CABLE ASM, AC TRANSFORMER, POWER SUPPLY (SEE SEC. 2 FIG. 22-2, 21, 25 AND 37 FOR DETAILS)				1	
-5	215714	. JUMPER ASM, RESONATING CAP (SEE SEC. 2 FIG. 22-24 FOR DETAILS)				1	
-6	210349	. CABLE ASM, READ/WRITE PRE-AMP (SEE SEC. 2 FIG. 20 FOR BREAKDOWN)				1	
-7	210305	. CABLE ASM, SERVO CONTROL (SEE SEC. 2 FIG. 22-1, 2, 15, 21, 37, 39, 40, 41, 42, 58, 59 AND 61 FOR DETAILS)				1	
-8	210300	. CABLE ASM, LINEAR MOTOR (SEE SEC. 2 FIG. 22-1, 21, 24, 25, 37, 50, 54, 55, 56 AND 57 FOR DETAILS)				1	
-9	215719	. CABLE ASM, D.C. DISTRIBUTION (SEE SEC. 2 FIG. 22-15, 17, 19, 22, 23, 37, 43, 44, 45, 48, 49, 50, 51, 54, 55, 56 AND 57 FOR DETAILS)				1	
-10	158304	. MOUNT CABLE TIE				15	
-11	005047	. TIE, CABLE STRAP				18	
-12	112361	. CLAMP, HARNESS				2	
-13*	110095	. SCREW, 82° FLAT HEAD, 6-32 X 0.375				2	
-14*	110841	. NUT, HEX, KEPS, 6-32				2	
-15*	700558	. SCREW, THREADFORMING, 6-32 X 0.25				1	
-16*	110380	. WASHER, LOCK, EXTERNAL TOOTH, NO. 6				1	
-17*	700563	. SCREW, THREADFORMING, 8-32 X 0.38				1	
-18*	110381	. WASHER, LOCK, EXTERNAL TOOTH NO. 8				1	
-19*	110083	. SCREW, BH, 6-32 X 0.50				1	
-20	110952	. CLAMP CABLE, 0.68				1	
-21*	110085	. SCREW, BH, 6-32 X 0.75				4	
-22*	110182	. SCREW, BH, 10-32 X 0.375				1	
-23*	110382	. WASHER, LOCK, EXTERNAL TOOTH, NO. 10				1	
-24*	110081	. SCREW, BH, 6-32 X 0.375				1	
-25	110949	. CLAMP, CABLE, 0.50				1	
-26	701721	. MOUNT, CABLE TIE, NYLON				1	
		THE FOLLOWING ITEMS ARE NOT PART OF THIS ASM					
-27	215704	HARNESS ASM, POWER SUPPLY, FAN (SEE SEC. 2 FIG. 16-4)				1	
-28	215712	CABLE ASM, POWER CONNECTOR (SEE SEC. 2 FIG. 10-3)				1	
-29	215713	CABLE ASM, POWER CONNECTOR (SEE SEC. 2 FIG. 10-8)				1	

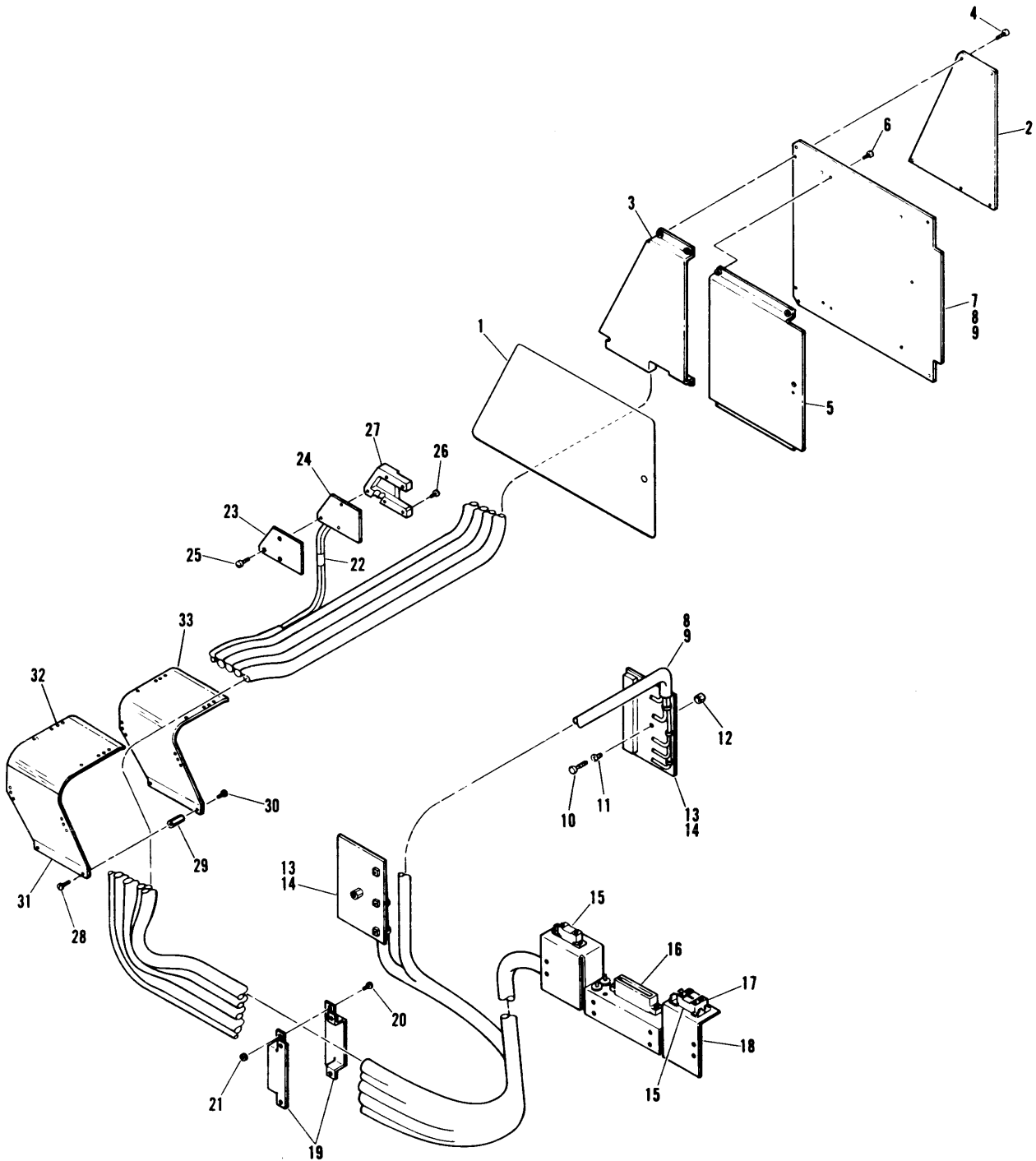


FIGURE 20. READ/WRITE PRE-AMP CABLE ASM

FIGURE & INDEX NUMBER	PART NUMBER	DESCRIPTION				QTY PER ASSY	USABLE ON CODE
		1	2	3	4		
20-	210349	CABLE ASM, READ/WRITE PRE-AMP (SEE SEC. 2 FIG. 19 FOR NHA)				REF	
-1	211591	. INSULATOR, PCB				1	
-2	210347	. PLATE, COVER, R/W				1	
-3	211205	. CLAMP, PADDLE BOARD R/W				1	
-4*	110053	. SCREW, 82° FLAT HEAD 4-40 X 0.312 ATTACHING HARDWARE FOR ITEMS 2 AND 3				5	
-5	210346	. COVER PADDLE BOARD R/W				1	
-6*	110043	. SCREW, BH, 4-40 X 0.375				5	
-7	011091	. PC BOARD ASM, R/W PADDLE BOARD				1	
-8	150221	. TERMINAL SPLICE				8	
-9	150413	. TERMINAL SPLICE				4	
-10*	210708	. SCREW, BOARD LOCK				2	
-11	210707	. STANDOFF, BOARD LOCK				2	
-12	210706	. SPACER, BOARD LOCK				2	
-13	011116	. PC BOARD, R/W MATRIX				2	
-14	005045	. TIE, CABLE STRAP				6	
-15	150244	. CONTACT, SOCKET				9	
-16	301046	. CONTACT LEAF				5	
-17	150243	. CONTACT PIN				3	
-18	211086	. CONNECTOR ASM (SEE SEC. 2 FIG. 21 FOR BREAKDOWN)				1	
-19	210442	. CLAMP, CABLE, LOWER				2	
-20*	110080	. SCREW, BH, 6-32 X 0.312				2	
-21*	110849	. NUT, HEX, KEPS, 6-32				2	
-22	154319	. CABLE MARKER				2	
-23	211217	. SHIELD, PIGGY BACK				1	
-24	011181	. PC BOARD ASM, R/W PBPB				1	
-25*	110056	. SCREW, 82° FLAT HEAD 4-40 X 0.50 ATTACHING HARDWARE FOR ITEMS 23 AND 24				3	
-26*	110042	. SCREW, BH, 4-40 X 0.312				2	
-27	210927	. BLOCK, MOUNT, PIGGY BACK				1	
-28*	110052	. SCREW, 82° FLAT HEAD, 4-40 X 0.25				24	
-29	211336	. SPACER				24	
-30*	111025	. SCREW, 82° FLAT HEAD, 2-56 X 0.50				24	
-31	211571	. GUIDE, CABLE				1	
-32	211569	. GUIDE, TOP, CABLE				1	
-33	211340	. GUIDE, CABLE, LOWER				1	

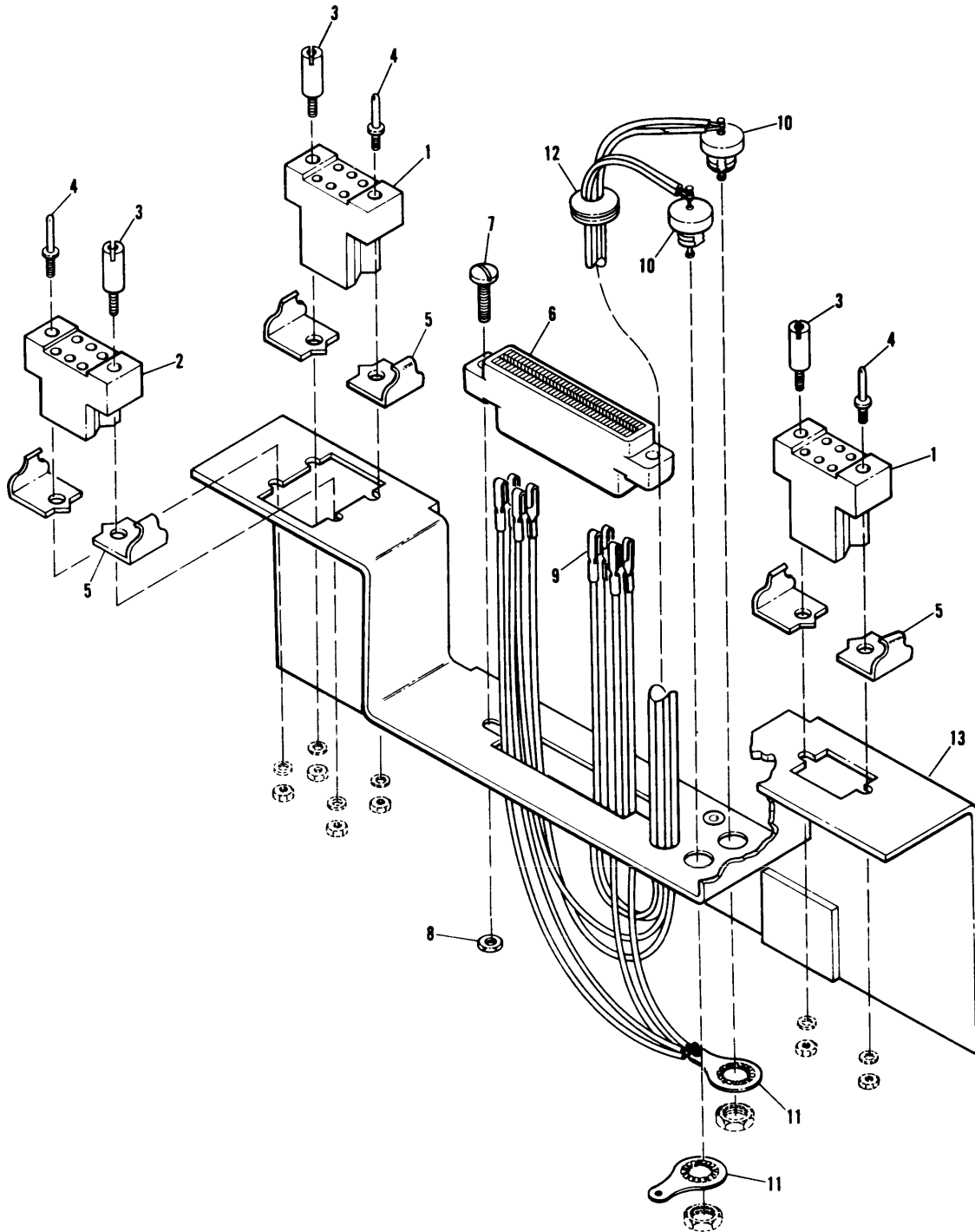


FIGURE 21. CONNECTOR ASM

FIGURE & INDEX NUMBER	PART NUMBER	DESCRIPTION				QTY PER ASSY	USABLE ON CODE
		1	2	3	4		
21-	211086	CONNECTOR ASM (SEE SEC. 2 FIG. 20-18 FOR NHA)				REF	
-1	158785	.	CONNECTOR, 6 POSITION, FEMALE			2	
-2	158784	.	CONNECTOR, 6 POSITION, MALE			1	
-3	158782	.	SOCKET, GUIDE			3	
-4	158780	.	PIN, GUIDE			3	
-5	158783	.	LOCKING SPRING, FEMALE			6	
-6	158478	.	HOUSING, CONNECTOR, PC BOARD			1	
-7*	110045	.	SCREW, BH, 4-40 X 0.50			2	
-8*	110840	.	NUT, HEX, KEPS, 4-40			2	
-9	301046	.	CONTACT, LEAF			15	
-10	153493	.	FILTER, LOW-PASS			2	
-11	703107	.	LUG, SOLDER, TERMINAL			2	
-12	110391	.	GROMMET			1	
-13	210971	.	BRACKET, CONNECTOR, SERVO			1	





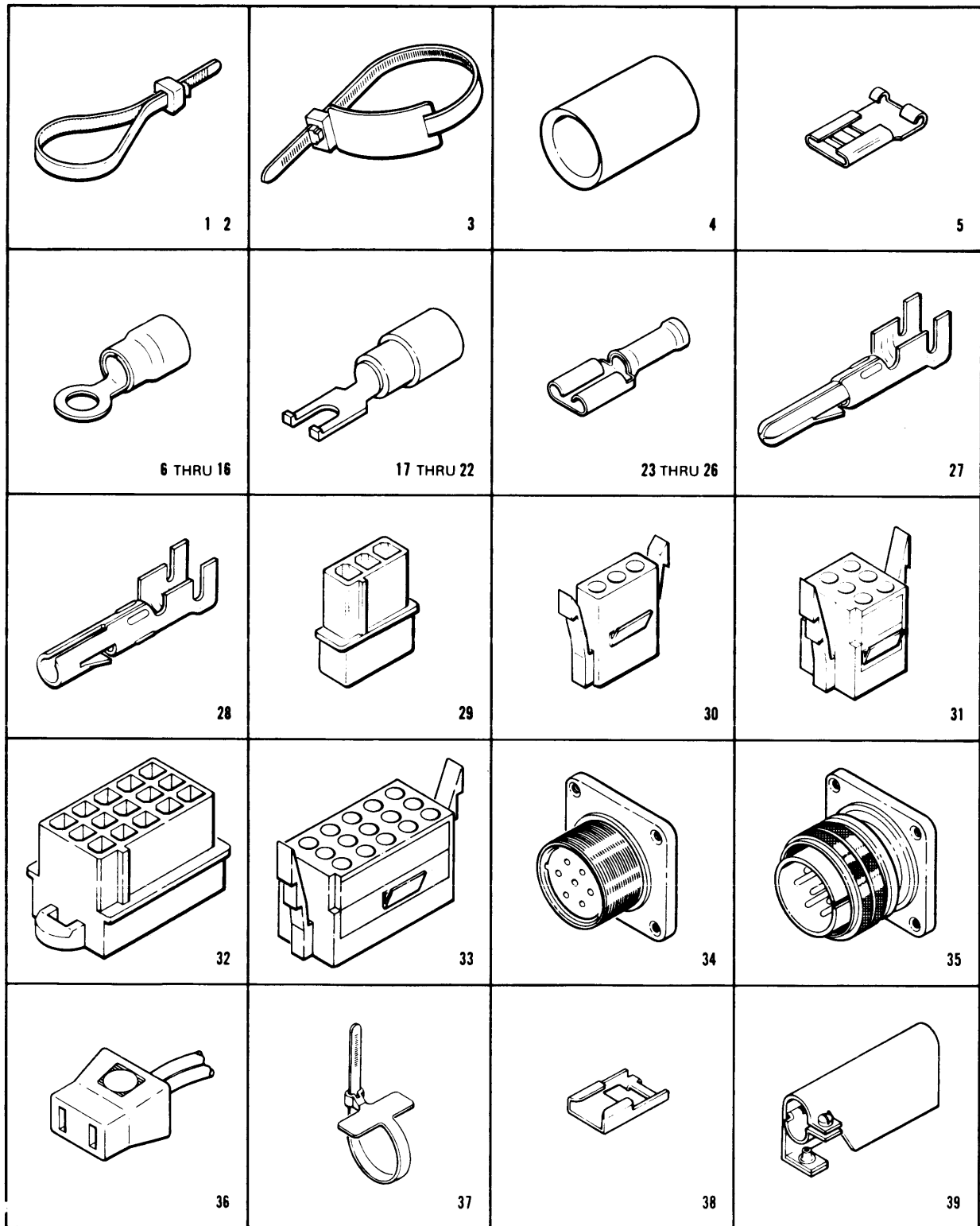


FIGURE 22. HARNESS AND CABLE COMPONENT ASM (SHEET 1 OF 2)

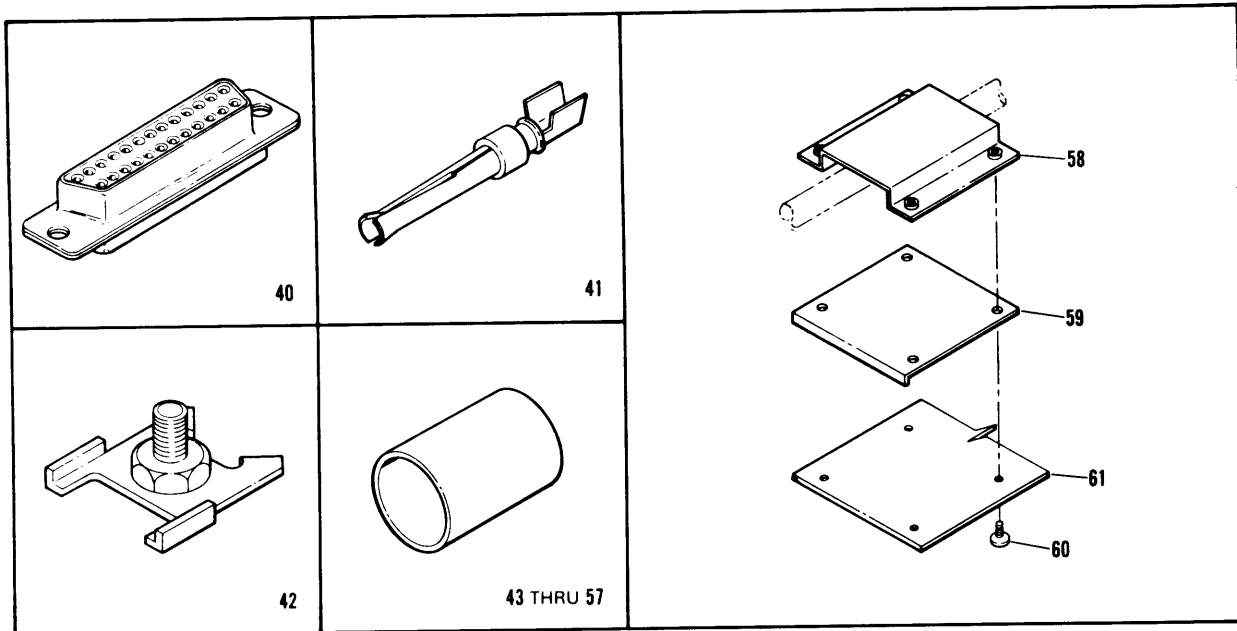


FIGURE 22. HARNESS AND CABLE COMPONENT ASM (SHEET 2 OF 2)

FIGURE & INDEX NUMBER	PART NUMBER	DESCRIPTION				QTY PER ASSY	USABLE ON CODE
		1	2	3	4		
22-	NO NO.	HARNESS AND CABLE COMPONENT ASM				REF	
-1	005045	TIE, CABLE, 5.50 INS.				A/R	
-2	005046	TIE, CABLE, 4.00 INS.				A/R	
-3	005077	MARKER, STRAP				A/R	
-4	112456	TERMINAL-SPLICE, PARALLEL, UNINSULATED				A/R	
-5	112459	TERMINAL, RECEPTACLE, 90° FLAG				A/R	
-6	150102	TERMINAL, LUG, RING TONGUE, 22-16, NO. 6				A/R	
-7	150103	TERMINAL, LUG, RING TONGUE, 22-16, NO. 8				A/R	
-8	150104	TERMINAL, LUG, RING TONGUE, 22-16, NO. 10				A/R	
-9	150108	TERMINAL, LUG, RING TONGUE, 16-14, NO. 6				A/R	
-10	150109	TERMINAL, LUG, RING TONGUE, 16-14, NO. 8				A/R	
-11	150110	TERMINAL, LUG, RING TONGUE, 16-14, NO. 10				A/R	
-12	150111	TERMINAL, LUG, RING TONGUE, 16-14, NO. 0.25				A/R	
-13	150113	TERMINAL, LUG, RING TONGUE, 12-10, NO. 6				A/R	
-14	150114	TERMINAL, LUG, RING TONGUE, 12-10, NO. 8				A/R	
-15	150115	TERMINAL, LUG, RING TONGUE, 12-10, NO. 10				A/R	
-16	150116	TERMINAL, LUG, RING TONGUE, 12-10, NO. 0.25				A/R	
-17	150120	TERMINAL, CRIMP, FLANGED FORK, 22-16				A/R	
-18	150121	TERMINAL, CRIMP, FLANGED FORK, 22-16				A/R	
-19	150122	TERMINAL, CRIMP, FLANGED FORK, 16-14				A/R	
-20	150123	TERMINAL, CRIMP, FLANGED FORK, 16-14				A/R	
-21	150125	TERMINAL, CRIMP, FLANGED FORK, 12-10				A/R	
-22	701616	TERMINAL, CRIMP, FLANGED FORK, 12-10				A/R	
-23	150128	TERMINAL, QUICK DISCONNECT, 22-18				A/R	
-24	150129	TERMINAL, QUICK DISCONNECT, 22-18				A/R	
-25	150130	TERMINAL QUICK DISCONNECT, 14-12				A/R	
-26	150131	TERMINAL, QUICK DISCONNECT, 22-18				A/R	

FIGURE & INDEX NUMBER	PART NUMBER	DESCRIPTION				QTY PER ASSY	USABLE ON CODE
		1	2	3	4		
22-27	150202	.	CONTACT, PIN, 20-14			A/R	
-28	150203	.	CONTACT, SOCKET, 20-14			A/R	
-29	150250	.	HOUSING, CONNECTOR, PANEL MOUNTING, 3 PIN			A/R	
-30	150251	.	HOUSING, CONNECTOR, PANEL MOUNTING, 3 SOCKET			A/R	
-31	150253	.	HOUSING, CONNECTOR, PANEL MOUNTING, 6, SOCKET			A/R	
-32	150258	.	HOUSING, CONNECTOR, PANEL MOUNTING, 12 PIN			A/R	
-33	150259	.	HOUSING, CONNECTOR, PANEL MOUNTING, 15 SOCKET			A/R	
-34	150273	.	CONNECTOR, RECEPTACLE, SOCKET			A/R	
-35	150279	.	CONNECTOR, SHELL, PIN			A/R	
-36	150521	.	CORD AND PLUG, FAN MOTOR			A/R	
-37	154319	.	MARKER, CABLE			A/R	
-38	158277	.	TERMINAL, RECEPTACLE, 90° FLAG			A/R	
-39	158459	.	COVER, CONNECTOR SHIELD			A/R	
-40	158602	.	HOUSING, CONNECTOR, SUBMINIATURE			A/R	
-41	158605	.	CONTACT, SOCKET, CRIMP			A/R	
-42	158806	.	LATCH ASM, END DISC			A/R	
-43	211322	.	MARKER, LEAD "2"			A/R	
-44	211324	.	MARKER, LEAD "4"			A/R	
-45	211325	.	MARKER, LEAD "5"			A/R	
-46	211326	.	MARKER, LEAD "6"			A/R	
-47	211327	.	MARKER, LEAD "7"			A/R	
-48	211329	.	MARKER, LEAD "9"			A/R	
-49	211330	.	MARKER, LEAD "0"			A/R	
-50	211331	.	MARKER, LEAD "1"			A/R	
-51	211332	.	MARKER, LEAD "2"			A/R	
-52	211435	.	MARKER, LEAD "5"			A/R	
-53	211436	.	MARKER, LEAD "6"			A/R	
-54	211441	.	MARKER, LEAD "1"			A/R	
-55	211442	.	MARKER, LEAD "2"			A/R	
-56	211443	.	MARKER, LEAD "3"			A/R	
-57	211444	.	MARKER, LEAD "4"			A/R	
	NO NO.		PART OF AC CONTROL CABLE ASM, 215731				
			SERVO CONTROL CABLE ASM, 210305				
-58	210885	.	CLAMP, CABLE, PADDLE			1	
-59	210884	.	BASE, CABLE, PADDLE			1	
-60	110041	.	SCREW, BH, 4-40 X 0.250			4	
-61	011841	.	PC BOARD ASM, LOGIC GATE PADDLE BOARD			1	

# RECOMMENDED SPARES LIST

677

FIGURE & INDEX NUMBER	PART NUMBER	DESCRIPTION	QTY PER ASSY	USABLE ON CODE
	005080	CAPACITOR, ELECTROLYTIC, ALUMINUM, 12,000 $\mu$ F, 10 V	1	
	011066	PCB ASM, +15 V REGULATOR	1	
	011071	PCB ASM, -15 V REGULATOR	1	
	011711	PCB ASM, +5 V REGULATOR	1	
	012121	PCB ASM, ARC SUPPRESSOR	1	
	012486	PCB ASM, SERVO PREAMP	1	
	012491	PCB ASM, READ/WRITE MATRIX	2	
	012771	PCB ASM, DYNAMIC BRAKING	1	
	012786	PCB ASM, -5.2 V REGULATOR	1	
	112259	CIRCUIT BREAKER	1	
	112309	PREFILTER	1	
	150852	DIODE SILICON	1	
	150857	RECTIFIER	1	
	150935	CAPACITOR, ELECTROLYTIC, ALUMINUM, 36,000 $\mu$ F, 75 V	2	
	150947	CAPACITOR, ELECTROLYTIC, ALUMINUM, 155,00 $\mu$ F, 15 V	2	
	150958	CAPACITOR, ELECTROLYTIC, ALUMINUM, 22,000 $\mu$ F, 40 V	3	
	158740	RELAY	1	
	158793	SOLENOID	1	
	158798	RFI FILTER	1	
	158849	FANS, MINIATURE	5	
	200230	BELT, ENDLESS, FLAT, 60HZ	1	
	210000	MAGNET ASM	1	
	210012	BOBBIN ASM	1	
	210187	GROUND, CARRIAGE	1	
	210412	SHROUD COVER ASM	1	
	210621	LINEAR MOTOR	1	
	210622	FLEX CONDUCTOR	1	
	210624	PACK COVER SENSOR ASM	1	
	210626	DRIVE MOTOR ASM, 60HZ	1	
	210627	CARRIAGE/T BLOCK ASM	1	
	210776	PIVOT PAWL	1	
	210780	ROD, ACTUATOR	1	
	210781	LOCK, ACTUATOR ROD	1	
	210783	SPRING, PIVOT	1	
	210789	COVER, READ/WRITE MATRIX PCBs	1	
	210899	BAFFLE ASM	1	
	210899	BAFFLE ASM	1	
	211029	WAY ASM	1	
	211056	SWITCH ASM, UP SPEED	1	
	211083	SPINDLE LOCK ASM	1	
	211092	SWITCH ASM, COVER ON	1	
	211098	SWITCH ASM, HEADS RETRACT	1	
	211132	SWITCH ASM, DOOR LOCK	1	
	211150	SPRING, DOOR LOCK	1	
	211152	PAWL, DOOR LOCK	1	
	211332	CLAMP ASM, RIGHT HAND	1	
	211333	CLAMP ASM, LEFT HAND	1	
	211535	HEAD ASM "A," DOWN, READ/WRITE, (100 MB)	4	
	211536	HEAD ASM "A," UP, READ/WRITE, (100 MB)	5	
	211537	HEAD ASM "B," DOWN, READ/WRITE, (100 MB)	5	
	211538	HEAD ASM "B," UP, READ/WRITE, (100 MB)	5	
	211539	HEAD ASM "A," SERVO/READ ONLY (100 MB)	1	
	211646	COVER, LINEAR MOTOR	1	
	211647	AIR DEFLECTOR, LINEAR MOTOR	1	
	211672	BELT, ENDLESS, FLAT, 50HZ	1	
	211680	DRIVE MOTOR ASM, 50HZ	1	
	211880	FILTER, ABSOLUTE	1	
	211884	DUCT, AIR	1	
	211913	GLASS DOOR ASM	1	

RECOMMENDED SPARES LIST (Con't)

677

FIGURE & INDEX NUMBER	PART NUMBER	DESCRIPTION 1 2 3 4	QTY PER ASSY	USABLE ON CODE
	212018	SPINDLE GROUND ASM	1	
	215011	TACHOMETER	1	
	215017	SPINDLE	1	
	215087	CAM	1	
	215131	HEAD ASM "A", DOWN, READ/WRITE (200 MB)	4	
	215132	HEAD ASM "A", UP, READ/WRITE (200 MB)	5	
	215133	HEAD ASM "B", DOWN, READ/WRITE (200 MB)	5	
	215134	HEAD ASM "B", UP, READ/WRITE (200 MB)	5	
	215532	HEAD ASM "A", SERVO/READ ONLY (200 MB)	1	
	215640	POWER SUPPLY ASM	1	
	215681	POWER DISTRIBUTION UNIT	1	
	215758	DOOR LOCK ASM	1	
	215795	ACTUATOR, SWITCH	1	
	215830	SERVO POWER AMPLIFIER ASM	1	
	301068	CARD GUIDE	2	
	701103	CARD GUIDE	6	

# NUMERICAL INDEX

677

PART NUMBER	FIGURE & INDEX NUMBER
005015	17-30
005029	2-84
005045	20-14
005045	22-1
005046	22-2
005046	16-10
005046	16-20
005046	13-3
005047	19-11
005077	22-3
005080	15-7
011066	11-8
011071	11-9
011091	20-7
011116	20-13
011181	20-24
011711	11-6
011841	22-61
011901	6-11
012121	18-8
012491	6-11
012771	17-23
012786	11-7
102486	6-12
110012	7-6
110013	7-2
110013	7-4
110014	8-6
110018	5-7
110039	6-99
110040	6-42
110041	6-57
110041	1-16
110041	22-60
110042	20-26
110043	20-6
110043	1-22
110043	6-19
110043	6-3
110045	21-7
110052	20-28
110053	20-4
110056	20-25
110065	2-6
110065	2-4
110065	2-2
110078	2-11
110078	1-26
110078	18-9
110078	17-21
110079	17-25
110079	12-17
110079	11-19
110079	2-13
110079	2-8
110079	2-100
110079	2-96
110079	6-86
110080	2-57
110080	18-16
110080	20-20
110081	19-24

PART NUMBER	FIGURE & INDEX NUMBER
110081	17-18
110081	16-17
110081	2-86
110081	6-40
110081	6-84
110083	10-5
110083	3-2
110083	1-3
110083	19-19
110083	10-10
110084	10-4
110084	5-11
110084	10-9
110084	6-65
110085	19-21
110094	13-23
110095	19-13
110095	6-15
110095	6-88
110126	2-19
110126	2-17
110127	2-15
110127	1-14
110127	6-53
110128	18-5
110129	12-13
110129	14-2
110129	6-81
110129	6-94
110129	5-3
110129	2-92
110129	2-21
110131	2-37
110131	2-50
110131	6-6
110131	6-73
110131	6-10
110132	12-2
110133	17-9
110133	8-15
110133	6-96
110136	5-1
110136	13-20
110136	13-13
110146	16-37
110180	17-5
110181	15-2
110181	15-4
110181	6-16
110182	6-101
110182	6-103
110182	19-22
110184	15-10
110184	15-13
110263	2-31
110286	9-9
110318	6-34
110319	6-36
110329	9-13
110331	2-43
110343	6-90
110353	6-62

PART NUMBER	FIGURE & INDEX NUMBER
110355	6-60
110362	2-59
110365	2-44
110365	9-5
110367	6-120
110374	6-25
110374	9-3
110374	2-32
110374	12-18
110376	9-10
110379	1-23
110380	1-27
110380	2-97
110380	2-101
110380	2-58
110380	10-6
110380	10-11
110380	19-16
110380	17-26
110380	17-22
110381	19-18
110381	17-29
110381	16-38
110381	12-14
110381	2-69
110381	2-38
110381	2-81
110381	2-77
110382	19-23
110382	17-6
110386	11-20
110387	14-3
110387	18-14
110387	16-35
110387	18-12
110388	15-14
110388	15-11
110388	12-10
110388	15-5
110388	15-3
110391	21-12
110571	5-9
110579	12-11
110580	9-2
110580	6-24
110586	2-110
110586	2-108
110604	8-10
110722	5-15
110751	6-126
110811	6-105
110840	2-28
110840	1-24
110840	1-17
110840	21-8
110841	19-14
110841	16-18
110841	18-17
110841	17-19
110841	2-87
110841	2-9
110841	3-3

PART NUMBER	FIGURE & INDEX NUMBER
110841	10-7
110841	10-12
110842	12-3
110842	2-51
110842	2-74
110842	2-41
110842	13-14
110842	14-4
110842	17-10
110842	18-6
110849	20-21
110854	6-32
110855	6-75
110857	6-50
110858	6-123
110858	6-39
110865	6-106
110890	18-10
110910	17-34
110910	10-15
110915	6-38
110920	6-51
110920	2-102
110920	2-98
110921	2-78
110921	2-82
110925	6-63
110944	6-85
110949	19-25
110952	19-20
111025	20-30
111159	6-2
111169	6-68
111196	16-41
111220	2-71
111221	16-25
111262	1-29
111457	2-90
111457	16-3
111457	17-1
111457	18-18
111457	13-24
111457	17-35
111457	12-19
111530	2-48
112184	16-40
112253	12-1
112259	12-16
112260	11-13
112309	2-55A
112310	4-4
112311	6-44
112322	2-7
112331	17-20
112337	14-5
112339	17-8
112344	2-18
112346	14-6
112361	19-12
112361	6-14
112361	6-87
112364	7-8

NUMERICAL INDEX (Con't)

677

PART NUMBER	FIGURE & INDEX NUMBER
112364	2-24
112379	8-9
112431	2-27
112441	17-11
112456	22-4
112459	22-5
112563	6-77
112570	16-39
112661	2-40
112692	15-6
150098	1-21
150098	6-66
150098	12-4
150102	22-6
150103	22-7
150104	22-8
150108	22-9
150109	22-10
150110	22-11
150111	22-12
150113	22-13
150114	22-14
150115	22-15
150116	22-16
150120	22-17
150120	8-7
150120	5-19
150121	22-18
150122	22-19
150123	22-20
150125	22-21
150128	22-23
150129	22-24
150130	22-25
150131	22-26
150202	22-27
150203	22-28
150221	20-8
150243	20-17
150244	20-15
150250	22-29
150251	22-30
150253	22-31
150258	22-32
150259	22-33
150273	22-34
150279	22-35
150363	5-10
150368	17-7
150413	20-9
150460	11-10
150462	11-12
150465	11-11
150481	12-5
150482	12-7
150521	22-36
150522	13-1
150522	3-4
150852	13-15
150857	12-15
150857	5-18
150935	15-17

PART NUMBER	FIGURE & INDEX NUMBER
150947	15-15
150958	15-16
153493	21-10
154319	20-22
154319	22-37
157496	14-11
157498	12-9
158277	22-38
158304	19-10
158459	22-39
158478	21-6
158602	22-40
158605	22-41
158740	18-7
158758	13-12
158780	21-4
158782	21-3
158783	21-5
158784	21-2
158785	21-1
158792	8-8
158793	5-20
158798	16-36
158798	18-15
158801	9-15
158806	22-42
158849	16-26
158849	16-5
158849	13-5
158849	3-1
158934	2-85
159054	2-103
159058	2-91
159059	2-88
200072	2-107
200092	6-69
200223	9-4
200223	6-127
200230	6-114
200286	6-107
200489	6-59
200491	2-105
200497	1-12
200497	1-9
200541	13-22
201411	11-22
201416	11-23
201971	21-13
202518	7-9
210000	6-78
210010	6-71
210010	6-79
210012	6-70
210023	6-129
210104	6-31
210107	6-18
210147	6-83
210165	6-20
210184	6-48
210186	6-47
210187	6-41
210196	2-20

PART NUMBER	FIGURE & INDEX NUMBER
210198	3-5
210213	6-76
210221	6-43
210228	9-16
210232	6-93
210234	1-13
210296	6-72
210300	19-8
210301	19-1
210305	19-7
210340	6-45
210341	6-52
210346	20-5
210347	20-2
210349	20-REF
210349	19-6
210349	6-21
210356	9-14
210387	9-8
210388	9-11
210390	1-30
210391	1-31
210405	4-3
210412	2-23
210420	6-33
210441	1-32
210442	20-19
210541	6-46
210621	4-1
210621	6-57
210622	6-64
210624	6-95
210624	8-REF
210626	9-REF
210626	6-116
210627	6-37
210640	6-124
210641	6-122
210642	6-125
210670	6-133
210699	6-80
210706	20-12
210707	20-11
210708	20-10
210709	6-117
210733	2-16
210739	6-74
210744	1-15
210746	6-121
210747	6-119
210750	6-115
210756	9-6
210773	6-113
210774	8-14
210775	8-16
210776	6-112
210777	8-13
210778	8-12
210779	8-3
210780	6-104
210781	6-108
210782	6-111

PART NUMBER	FIGURE & INDEX NUMBER
210783	6-110
210784	8-2
210785	8-4
210789	6-17
210790	2-10
210791	6-131
210792	6-130
210797	7-5
210798	7-1
210860	12-12
210884	22-59
210885	22-58
210888	1-18
210892	1-28
210896	1-19
210897	2-12
210899	7-7
210917	1-7
210918	1-8
210927	20-27
210934	9-12
210955	6-126
210959	2-47
210970	6-22
211016	6-97
211017	2-49
211029	6-35
211056	7-3
211083	6-102
211086	21-REF
211086	20-18
211089	2-67
211092	8-5
211098	6-56
211132	5-5
211150	5-17
211151	5-2
211152	5-14
211154	5-4
211155	5-16
211165	2-14
211165	3-REF
211167	6-7
211169	6-8
211173	6-92
211205	20-3
211217	20-23
211241	5-12
211322	22-43
211324	22-44
211325	22-45
211326	22-46
211327	22-47
211329	22-48
211330	22-49
211331	22-50
211332	22-51
211332	6-13A
211333	6-13
211336	20-29
211340	20-33
211389	6-4

NUMERICAL INDEX (Con't)

PART NUMBER	FIGURE & INDEX NUMBER
211393	6-58
211435	22-52
211436	22-53
211441	22-54
211442	22-55
211443	22-56
211444	22-57
211449	6-49
211479	9-16
211483	6-55
211535	6-26
211536	6-27
211537	6-28
211538	6-29
211539	6-30
211541	6-67
211555	1-2
211569	20-32
211571	20-31
211582	17-17
211591	20-1
211607	1-25
211619	9-7
211646	6-5
211647	6-9
211658	6-128
211672	6-114
211673	9-1
211677	6-118
211678	9-12
211680	9-REF
211680	6-116
211809	1-10
211810	1-11
211814	2-25
211815	2-26
211819	2-5
211839	2-3
211840	2-1
211880	2-55
211883	2-45
211884	2-46
211913	2-22
211913	4-REF
211916	8-11
211988	2-56
212015	6-102
212018	6-98
215011	6-54
215013	6-91
215017	6-89
215082	7-10
215087	6-18
215088	6-15
215091	6-100
215092	6-1
215092	7-REF
215131	6-26
215132	6-27
215133	6-28
215134	6-29

PART NUMBER	FIGURE & INDEX NUMBER
215532	6-30
215601	2-REF
215602	2-REF
215605	6-REF
215605	2-42
215606	2-42
215606	6-REF
215610	2-106
215620	2-33
215627	6-23
215628	1-1
215635	17-36
215636	17-4
215637	2-53
215639	18-19
215640	2-75
215640	11-REF
215641	15-12
215642	15-9
215643	14-13
215644	13-19
215646	11-4
215648	16-1
215649	16-16
215650	16-REF
215650	11-24
215651	16-44
215652	13-26
215653	16-42
215654	16-11
215655	12-20
215656	16-22
215657	16-23
215658	16-32
215659	16-14
215661	18-4
215662	17-32
215663	18-REF
215663	17-13
215665	17-27
215668	10-16
215669	10-13
215670	10-1
215671	2-62
215672	2-60
215673	13-REF
215673	11-16
215674	16-28
215674	16-7
215675	16-30
215676	15-REF
215676	11-21
215677	11-14
215677	12-REF
215679	10-REF
215679	2-65
215681	2-79
215681	17-REF
215688	2-93
215693	14-8
215694	13-16
215695	14-12

PART NUMBER	FIGURE & INDEX NUMBER
215696	12-6
215697	13-17
215698	11-18
215699	19-4
215700	15-1
215701	18-13
215702	17-16
215703	17-12
215703	16-34
215704	16-4
215704	19-27
215705	17-15
215707	18-1
215708	18-11
215709	18-3
215710	18-2
215712	10-3
215712	19-28
215713	19-29
215713	10-8
215714	19-5
215715	14-10
215716	13-11
215717	13-18
215718	19-3
215719	19-9
215720	2-29
215721	2-30
215722	2-73
215723	2-70
215730	1-REF
215731	19-2
215736	14-9
215737	14-1
215738	14-7
215740	19-REF
215750	11-5
215758	5-REF
215758	2-36
215762	5-6
215766	2-83
215767	14-REF
215767	13-7
215775	2-99
215776	2-95
215780	2-34
215781	6-10
215783	2-64
215795	5-13
<b>215830</b>	<b>2-72</b>
<b>215841</b>	<b>2-REF</b>
<b>215842</b>	<b>2-REF</b>
<b>215846</b>	<b>6-REF</b>
<b>215846</b>	<b>2-42</b>
<b>215847</b>	<b>2-42</b>
<b>215847</b>	<b>6-REF</b>
<b>215849</b>	<b>6-91</b>
<b>215854</b>	<b>2-39</b>
<b>215857</b>	<b>1-4</b>
<b>215858</b>	<b>1-5</b>
<b>301046</b>	<b>20-16</b>
<b>301046</b>	<b>21-9</b>
<b>301068</b>	<b>16-13</b>

PART NUMBER	FIGURE & INDEX NUMBER
301389	6-82
304059	17-2
304064	17-3
308095	2-109
503338	11-1
503338	13-25
503338	15-8
506342	13-21
508331	11-2
508332	11-3
600853	4-2
600858	6-109
616116	6-132
700558	16-15
700558	16-2
700558	16-29
700558	19-15
700558	16-33
700558	16-8
700558	16-24
700558	16-12
700558	16-43
700558	16-31
700559	12-8
700563	13-8
700563	17-14
700563	11-5
700563	17-33
700563	11-15
700563	10-2
700563	16-27
700563	13-6
700563	13-2
700563	11-17
700563	16-6
700563	19-17
700563	10-14
700563	2-80
700563	2-76
700563	2-89
700563	2-35
700563	2-68
700563	2-66
700563	2-61
700563	2-63
700563	2-52
700563	2-54
700565	17-31
700566	2-94
700570	2-104
700765	17-28
701103	17-24
701103	16-21
701616	22-22
701721	19-26
701721	16-19
701721	16-9
701721	13-4
703107	21-11
705116	1-20
705116	8-1
705148	5-8
707013	6-61



**APPENDIX A  
VENDOR/DEC PART NUMBER  
CROSS REFERENCE**

Memorex Part Number	DEC Part Number	Figure & Index Number	Memorex Part Number	DEC Part Number	Figure & Index Number	Memorex Part Number	DEC Part Number	Figure & Index Number
005015	29-13180	17-30	110081		17-18	110355		6-60
005029		2-84	110081		16-17	110362		2-59
005045		20-14	110081		2-86	110365		2-44
005045		22-1	110081		6-40	110365		9-5
005046		22-2	110081		6-84	110367		6-120
005046		16-10	110083		10-5	110374		6-25
005046		16-20	110083		3-2	110374		9-3
005046		13-3	110083		1-3	110374		2-32
005047		19-11	110083		19-19	110374		12-18
005077		22-3	110083		10-10	110376		9-10
005080	29-13235	15-7	110084		10-4	110379		1-23
011066	29-22139	11-8	110084		5-11	110380		1-27
011071	29-22140	11-9	110084		10-9	110380		2-97
011091	29-22175	20-7	110084		6-65	110380		2-101
011116	29-22103	20-13	110085		19-21	110380		2-58
011181	29-22103	20-24	110094		13-23	110380		10-6
011711		11-6	110095		19-13	110380		10-11
011841		22-61	110095		6-15	110380		19-16
011901		6-11	110095		6-88	110380		17-26
012121	29-22164	18-8	110126		2-19	110380		17-22
012491	29-22099	6-11	110126		2-17	110381		19-18
012771	29-22161	17-23	110127		2-15	110381		17-29
012786	29-22138	11-7	110127		1-14	110381		16-38
102486		6-12	110127		6-53	110381		12-14
110012		7-6	110128		18-5	110381		2-69
110013		7-2	110129		12-13	110381		2-38
110013		7-4	110129		14-2	110381		2-81
110014		8-6	110129		6-81	110381		2-77
110018		5-7	110129		6-94	110382		19-23
110039		6-99	110129		5-3	110382		17-6
110040		6-42	110129		2-92	110386		11-20
110041		6-57	110129		2-21	110387		14-3
110041		1-16	110131		2-37	110387		18-14
110041		22-60	110131		2-50	110387		16-35
110042		20-26	110131		6-6	110387		18-12
110043		20-6	110131		6-73	110388		15-14
110043		1-22	110131		6-10	110388		15-11
110043		6-19	110132		12-2	110388		12-10
110043		6-3	110133		17-9	110388		15-5
110045		21-7	110133		8-15	110388		15-3
110052		20-28	110133		6-96	110391		21-12
110053		20-4	110136		5-1	110571		5-9
110056		20-25	110136		13-20	110579		12-11
110065		2-6	110136		13-13	110580		9-2
110065		2-4	110146		16-37	110580		6-24
110065		2-2	110180		17-5	110586		2-110
110078		2-11	110181		15-2	110586		2-108
110078		1-26	110181		15-4	110604		8-10
110078		18-9	110181		6-16	110722		5-15
110078		17-21	110182		6-101	110751		6-126
110079		17-25	110182		6-103	110811		6-105
110079		12-17	110182		19-22	110840		2-28
110079		11-19	110184		15-10	110840		1-24
110079		2-13	110184		15-13	110840		1-17
110079		2-8	110263		2-31	110840		21-8
110079		2-100	110286		9-9	110841		19-14
110079		2-96	110318		6-34	110841		16-18
110079		6-86	110319		6-36	110841		18-17
110080		2-57	110329		9-13	110841		17-19
110080		18-16	110331		2-43	110841		2-87
110080		20-20	110343		6-90	110841		2-9
110081		19-24	110353		6-62	110841		3-3

Memorex Part Number	DEC Part Number	Figure & Index Number
110841		10-7
110841		10-12
110842		12-3
110842		2-51
110842		2-74
110842		2-41
110842		13-14
110842		14-4
110842		17-10
110842		18-6
110849		20-21
110854		6-32
110855		6-75
110857		6-50
110858		6-123
110858		6-39
110865		6-106
110890		18-10
110910		17-34
110910		10-15
110915		6-38
110920		6-51
110920		2-102
110920		2-98
110921		2-78
110921		2-82
110925		6-63
110944		6-85
110949		19-25
110952		19-20
111025		20-30
111159		6-2
111169		6-68
111196		16-41
111220		2-71
111221		16-25
111262		1-29
111457		2-90
111457		16-3
111457		17-1
111457		18-18
111457		13-24
111457		17-35
111457		12-19
111530		2-48
112184		16-40
112253		12-1
112259	29-22211	12-16
112260		11-13
112310		4-4
112311		6-44
112322		2-7
112331	29-22162	17-20
112337		14-5
112339		17-8
112344		2-18
112346		14-6
112361		19-12
112361		6-14
112361		6-87
112364		7-8
112364		2-24

Memorex Part Number	DEC Part Number	Figure & Index Number
112379		8-9
112431		2-27
112441		17-11
112456		22-4
112459		22-5
112563		6-77
112570		16-39
112661		2-40
112692		15-6
150098		1-21
150098		6-66
150098		12-4
150102		22-6
150103		22-7
150104		22-8
150108		22-9
150109		22-10
150110		22-11
150111		22-12
150113		22-13
150114		22-14
150115		22-15
150116		22-16
150120		22-17
150120		8-7
150120		5-19
150121		22-18
150122		22-19
150123		22-20
150125		22-21
150128		22-23
150129		22-24
150130		22-25
150131		22-26
150202		22-27
150203		22-28
150221		20-8
150243		20-17
150244		20-15
150250		22-29
150251		22-30
150253		22-31
150258		22-32
150259		22-33
150273		22-34
150279		22-35
150363		5-10
150368		17-7
150413		20-9
150460		11-10
150462		11-12
150465		11-11
150481		12-5
150482		12-7
150521	29-22308	22-36
150522	29-22307	13-1
150522	29-22307	3-4
150852		13-15
150857	29-22198	12-15
150857	29-22198	5-18
150935	29-22154	15-17
150947	29-22154	15-15

Memorex Part Number	DEC Part Number	Figure & Index Number
150958	29-22153	15-16
153493		21-10
154319		20-22
154319		22-37
157496	29-22147	14-11
157498		12-9
158277		22-38
158304		19-10
158459		22-39
158478		21-6
158602		22-40
158605		22-41
158740	29-22163	18-7
158758		13-12
158780		21-4
158782		21-3
158783		21-5
158784		21-2
158785		21-1
158792		8-8
158793	29-22199	5-20
158798		16-36
158798	29-22156	18-15
158801		9-15
158806		22-42
158849	29-22094	16-26
158849	29-22094	16-5
158849	29-22094	13-5
158849	29-22094	3-1
158934	29-22091	2-85
159054	29-22093	2-103
159058	29-22090	2-91
159059		2-88
200072		2-107
200092		6-69
200223		9-4
200223		6-127
200230	29-13245	6-114
200286		6-107
200489		6-59
200491		2-105
200497		1-12
200497		1-9
200541		13-22
201411		11-22
201416		11-23
201971		21-13
202518		7-9
210000	29-22204	6-78
210010		6-71
210010		6-79
210012	29-22117	6-70
210023		6-129
210035		6-26
210036		6-27
210037		6-28
210038		6-29
210039		6-30
210104		6-31
210107		6-18
210147		6-83
210165		6-20

Memorex Part Number	DEC Part Number	Figure & Index Number
210184	29-22112	6-48
210186		6-47
210187	29-22111	6-41
210196	29-22119	2-20
210198		3-5
210213		6-76
210221		6-43
210228	29-22128	9-16
210232		6-93
210234		1-13
210243		1-5
210244		1-4
210296		6-72
210300	29-22173	19-8
210301		19-1
210305	29-22172	19-7
210340		6-45
210341		6-52
210346		20-5
210347		20-2
210349	29-22171	20-REF
210349	29-22171	19-6
210349	29-22171	6-21
210356	29-22132	9-14
210387		9-8
210388		9-11
210390		1-30
210391		1-31
210405		4-3
210412	29-22197	2-23
210420		6-33
210441		1-32
210442		20-19
210541		6-46
210621		4-1
210621	29-22116	6-57
210622	29-22120	6-64
210624	29-22123	6-95
210624	29-22123	8-REF
210626	29-22128	9-REF
210626	29-22128	6-116
210627	29-22110	6-37
210640		6-124
210641		6-122
210642		6-125
210670		6-133
210699		6-80
210706		20-12
210707		20-11
210708		20-10
210709		6-117
210733		2-16
210739		6-74
210744		1-15
210746		6-121
210747		6-119
210750	29-22127	6-115
210756		9-6
210773		6-113
210774		8-14
210775		8-16
210776	29-22205	6-112

Memorex Part Number	DEC Part Number	Figure & Index Number
210777		8-13
210778		8-12
210779		8-3
210780	29-22206	6-104
210781	29-22207	6-108
210782		6-111
210783	29-22208	6-110
210784		8-2
210785	29-22130	8-4
210789	29-22210	6-17
210790		2-10
210791		6-131
210792		6-130
210797		7-5
210798		7-1
210860		12-12
210884		22-59
210885		22-58
210888		1-18
210892		1-28
210896		1-19
210897		2-12
210899	29-22200	7-7
210917		1-7
210918		1-8
210927		20-27
210934	29-22133	9-12
210955		6-126
210959		2-47
210970		6-22
211016		6-97
211017		2-49
211029	29-22109	6-35
211056	29-22195	7-3
211083	29-22125	6-102
211086		21-REF
211086		20-18
211089		2-67
211092	29-22131	8-5
211098	29-22115	6-56
211132		5-5
211150	29-22097	5-17
211151		5-2
211152	29-22096	5-14
211154		5-4
211155		5-16
211165		2-14
211165		3-REF
211167		6-7
211169		6-8
211173		6-92
211205		20-3
211217		20-23
211241		5-12
211322		22-43
211324		22-44
211325		22-45
211326		22-46
211327		22-47
211329		22-48
211330		22-49
211331		22-50

Memorex Part Number	DEC Part Number	Figure & Index Number
211332	29-22201	22-51
211332	29-22201	6-13A
211333	29-22202	6-13
211336		20-29
211340		20-33
211389		6-4
211393		6-58
211435		22-52
211436		22-53
211441		22-54
211442		22-55
211443		22-56
211444		22-57
211449		6-49
211479	29-22129	9-16
211483	29-22114	6-55
211541		6-67
211555		1-2
211569		20-32
211571		20-31
211582		17-17
211591		20-1
211607		1-25
211619		9-7
211646	29-22098	6-5
211647	29-22203	6-9
211658		6-128
211672	29-22126	6-114
211673		9-1
211677		6-118
211678	29-22134	9-12
211680	29-22129	9-REF
211680	29-22129	6-116
211809		1-10
211810		1-11
211814		2-25
211815		2-26
211819		2-5
211839		2-3
211840		2-1
215830	29-22088	2-72
211880	29-22086	2-55
211883		2-45
211884	29-22087	2-46
211913	29-22095	2-22
211913	29-22095	4-REF
211916		8-11
211988		2-56
212015		6-102
212018	29-22124	6-98
215011	29-22113	6-54
215013		6-91
215017	29-22121	6-89
215082		7-10
215087	29-22102	6-18
215088	29-22101	6-15
215091		6-100
215092		6-1
215092		7-REF
215131	29-22104	6-26
215132	29-22105	6-27
215133	29-22106	6-28

Memorex Part Number	DEC Part Number	Figure & Index Number
215134	29-22107	6-29
215532	29-22108	6-30
215601		2-REF
215602		2-REF
215605		6-REF
215605		2-42
215606		2-42
215606		6-REF
215610		2-106
215620		2-33
215627		6-23
215628		1-1
215635		17-36
215636		17-4
215637		2-53
215639		18-19
215640		2-75
215640	29-22089	11-REF
215641		15-12
215642		15-9
215643		14-13
215644		13-19
215646		11-4
215648		16-1
215649		16-16
215650		16-REF
215650		11-24
215651		16-44
215652		13-26
215653		16-42
215654		16-11
215655		12-20
215656		16-22
215657		16-23
215658		16-32
215659		16-14
215661		18-4
215662		17-32
215663	29-22158	18-REF
215663	29-22158	17-13
215665		17-27
215668		10-16
215669		10-13
215670		10-1
215671		2-62
215672		2-60
215673	29-22141	13-REF
215673	29-22141	11-16
215674		16-28
215674		16-7
215675		16-30
215676	29-22143	15-REF
215676	29-22143	11-21
215677		11-14
215677		12-REF
215679		10-REF
215679		2-65
215681	29-22092	2-79
215681	29-22092	17-REF
215688		2-93
215693	29-22148	14-8
215694	29-22145	13-16

Memorex Part Number	DEC Part Number	Figure & Index Number
215695	29-22149	14-12
215696		12-6
215697		13-17
215698	29-22142	11-18
215699	29-22169	19-4
215700		15-1
215701	29-22165	18-13
215702	29-22160	17-16
215703	29-22157	17-12
215703	29-22157	16-34
215704	29-22155	16-4
215704	29-22155	19-27
215705	29-22159	17-15
215707		18-1
215708		18-11
215709		18-3
215710		18-2
215712	29-22136	10-3
215712	29-22136	19-28
215713	29-22135	19-29
215713	29-22135	10-8
215714	29-22170	19-5
215715		14-10
215716		13-11
215717		13-18
215718	29-22168	19-3
215719	29-22174	19-9
215720		2-29
215721		2-30
215722		2-73
215723		2-70
215730		1-REF
215731	29-22167	19-2
215736		14-9
215737	29-22150	14-1
215738	29-22151	14-7
215740		19-REF
215750		11-5
215758	29-22085	5-REF
215758	29-22085	2-36
215762	29-22230	5-6
215766		2-83
215767	29-22144	14-REF
215767	29-22144	13-7
215775		2-99
215776		2-95
215780		2-34
215781		6-10
215783		2-64
215795	29-22196	5-13
215841		2-REF
215842		2-REF
215846		6-REF
215846		2-42
215847		2-42
215847		6-REF
215849		6-91
215854		2-39
301046		20-16
301046		21-9
301068	29-22213	16-13
301389		6-82

Memorex Part Number	DEC Part Number	Figure & Index Number
304059		17-2
304064		17-3
308095		2-109
503338		11-1
503338		13-25
503338		15-8
506342	29-22146	13-21
508331		11-2
508332		11-3
600853		4-2
600858		6-109
616116		6-132
700558		16-15
700558		16-2
700558		16-29
700558		19-15
700558		16-33
700558		16-8
700558		16-24
700558		16-12
700558		16-43
700558		16-31
700559		12-8
700563		13-8
700563		17-14
700563		11-5
700563		17-33
700563		11-15
700563		10-2
700563		16-27
700563		13-6
700563		13-2
700563		11-17
700563		16-6
700563		19-17
700563		10-14
700563		2-80
700563		2-76
700563		2-89
700563		2-35
700563		2-68
700563		2-66
700563		2-61
700563		2-63
700563		2-52
700563		2-54
700564		1-6
700565		17-31
700566		2-94
700570		2-104
700765		17-28
701103	29-22212	17-24
701103		16-21
701616		22-22
701721		19-26
701721		16-19
701721		16-9
701721		13-4
703107		21-11
705116		1-20
705148		5-8
707013		6-61



# COMMENTS FORM

**MEMOREX 677 ILLUSTRATED PARTS CATALOG—PUB. NO. 677-01/51.23-01**

Please send us your comments; they will help us produce better publications. Whenever possible, please use specific page and paragraph references.

- | ● Is the material:                        | Yes                      | No                       |
|---|--------------------------|--------------------------|
| Easy to understand? .....                 | <input type="checkbox"/> | <input type="checkbox"/> |
| Conveniently organized? .....             | <input type="checkbox"/> | <input type="checkbox"/> |
| Complete? .....                           | <input type="checkbox"/> | <input type="checkbox"/> |
| Well illustrated? .....                   | <input type="checkbox"/> | <input type="checkbox"/> |
| Accurate? .....                           | <input type="checkbox"/> | <input type="checkbox"/> |
| Suitable for its intended audience? ..... | <input type="checkbox"/> | <input type="checkbox"/> |
| Adequately indexed? .....                 | <input type="checkbox"/> | <input type="checkbox"/> |

● For what purpose did you use this publication (reference, general interest, etc.)?  
\_\_\_\_\_

● Please state your department's function: \_\_\_\_\_

Please use the space below for specific comments which you feel would improve any aspect of this publication. All comments become the property of Memorex Corporation.

\_\_\_\_\_  
\_\_\_\_\_  
\_\_\_\_\_  
\_\_\_\_\_  
\_\_\_\_\_  
\_\_\_\_\_

MEMOREX

---

**Business Reply Mail**

No Postage Necessary if Mailed in the United States

---

Postage Will Be Paid By

**Memorex Corporation**

**Publications Department  
Mail Stop 14-06  
San Tomas at Central Expressway  
Santa Clara, California 95052**

First Class  
Permit No. 250  
Santa Clara  
California  
95050

