

ALL INFORMATION HEREIN IS FOR INFORMATION PURPOSES ONLY  
 SUBJECT TO CHANGE WITHOUT NOTICE. DIGITAL EQUIPMENT  
 CORPORATION ASSUMES NO RESPONSIBILITY FOR ANY ERRORS  
 WHICH MAY APPEAR HEREIN.

# FIELD MAINTENANCE PRINT SET

"THIS DRAWING AND SPECIFICATIONS, HEREIN, ARE THE PROPERTY OF DIGITAL EQUIPMENT CORPORATION  
 AND SHALL NOT BE REPRODUCED OR COPIED OR USED IN WHOLE OR IN PART AS THE BASIS FOR THE MANU-  
 FACTURE OR SALE OF ITEMS WITHOUT WRITTEN PERMISSION. COPYRIGHT © 1978  
 DIGITAL EQUIPMENT CORPORATION."

## TABLE OF CONTENTS

B-TC-RX02-0-1	FIELD MAINTENANCE PRINT SET (RX02)
B-DD-RX02-0	RX02 FLOPPY DISK DRIVE
E-UA-RX02-0-0	RX02 FLOPPY DISK DRIVE - ASSEMBLY
<del>C-PL-RX02-0-0</del>	<del>RX02 FLOPPY DISK DRIVE - P/L</del>
B-DD-M7744-0	RX02 FLOPPY DISK CONTROLLER
D-UA-M7744-0-0	RX02 FLOPPY DISK CONTROLLER - ASSY. (SHEET 1 ONLY)
K-PL-M7744-0-DBP	RX02 FLOPPY DISK CONTROLLER - P/L
D-CS-M7744-0-1	RX02 FLOPPY DISK CONTROLLER - SCHEMATIC
B-DD-M7745-0	RX02 READ/WRITE CONTROL BOARD
D-UA-M7745-0-0	RX02 READ/WRITE CONTROL BOARD - ASSY. (SHEETS 1 & 4)
K-PL-M7745-0-DBP	RX02 READ/WRITE CONTROL BOARD - P/L
D-CS-M7745-0-1	RX02 READ/WRITE CONTROL BOARD - SCHEMATIC
B-DD-H771-0 (COMPLETE)	H771 POWER SUPPLY - COMPLETE PRINT SET DESCRIBED BY DD
MP00284 (COMPLETE)	PRINT SET PLENUM/FAN ASSEMBLY
A-PL-RX02-0-4	RX02 SOFTWARE LIST
A-PL-7017035-0-0	RX02 HARDWARE KIT LIST
A-PL-RX02-0-3	RX02 SHIPPING LIST
B-DD-7013503-0	PLENUM/FAN ASSY. (OLD STYLE)
B-DD-7015622-0	PLENUM/FAN ASSY. (NEW STYLE)
K-PL-RX02-0-DBP	RX02 FLOPPY DISK CONTROLLER PARTS LIST
D-CS-M7744-YC-1	RX02 FLOPPY DISK CONTROLLER
D-UA-M7744-YC-0	RX02 FLOPPY DISK CONTROLLER
B-DD-M7744-YC	RX02 FLOPPY DISK CONTROLLER
K-PL-M7744-YC-DBP	RX02 FLOPPY DISK CONTROLLER PARTS LIST
D-UA-M7745-YA-0	RX02 FLOPPY DISK CONTROLLER
D-EC-5012956-YA-0	RX02 FLOPPY DISK CONTROLLER
D-CS-M7745-YA-1	RX02 FLOPPY DISK CONTROLLER
3-DD-M7745-YA	RX02 FLOPPY DISK CONTROLLER
K-PL-M7745-YA-DBP	RX02 FLOPPY DISK CONTROLLER PARTS LIST

UNIT VARIATIONS COVERED BY THIS PRINT SET
RX02-AA
RX02-AC
RX02-AD
RX02-BA
RX02-BC
RX02-BD
RX02-CA
RX02-CC
RX02-DA
RX02-DC
RX02-DD
RX02-LA
RX02-LC
RX02-LD
RX02-NA
RX02-NC
RX02-ND
RX02-VA
RX02-VC
RX02-VD
RX02-BE
RX02-BJ

### RX02 Field Maintenance Print Set

Digital Equipment  
Corporation  
PRINT SET ORDER  
NO. MP 00629

REV  
F  
  
NUMBER  
RX02-0-1  
  
CODE  
B TC

REVISIONS		USED ON OPTION/MODEL	DRN.	DATE	TITLE: <b>digital</b>					
DATE	CHG. NO.				RX02 FLOPPY DISK DRIVE ASSY.					
2-1-79	RX02-ML00	RX28	G. MARINI	7/19/78						
2-2-79	RX02-ML2	RX211	CHK'D	DATE	SIZE CODE NUMBER REV					
9-79	RX02-ML3	RXV21	G. MARINI	7/19/78	<b>B</b>	<b>TC</b>	RX02-0-1	<b>F</b>	DIST.	
3-82	RX02-ML5	RX8	PROJ. ENG.	DATE						
7-82	RX02-ML7	RX11	J. GLAVIN	9/1/78						
10-82	RX02-SH8	RXV11	FIELD SERV.	DATE						
		RX78	J.							
		LSI-11	MARTINELLO	9/6/78						
					SHEET 1 OF 1					

DRB 124

SHO

"THE MATERIAL HEREIN IS FOR INFORMATION PURPOSES ONLY AND IS SUBJECT TO CHANGE WITHOUT NOTICE. DIGITAL EQUIPMENT CORPORATION ASSUMES NO RESPONSIBILITY FOR ANY ERRORS WHICH MAY APPEAR HEREIN."

**DRAWING DIRECTORY**

"THIS DRAWING AND SPECIFICATIONS, HEREIN, ARE THE PROPERTY OF DIGITAL EQUIPMENT CORPORATION AND SHALL NOT BE REPRODUCED OR COPIED OR USED IN WHOLE OR IN PART AS THE BASIS FOR THE MANUFACTURE OR SALE OF ITEMS WITHOUT WRITTEN PERMISSION. COPYRIGHT © 1978 DIGITAL EQUIPMENT CORPORATION."

FOR "TABLE OF CONTENTS"  
LISTING REFER DOCUMENT  
NUMBERED, B-TC-RX02-0-1

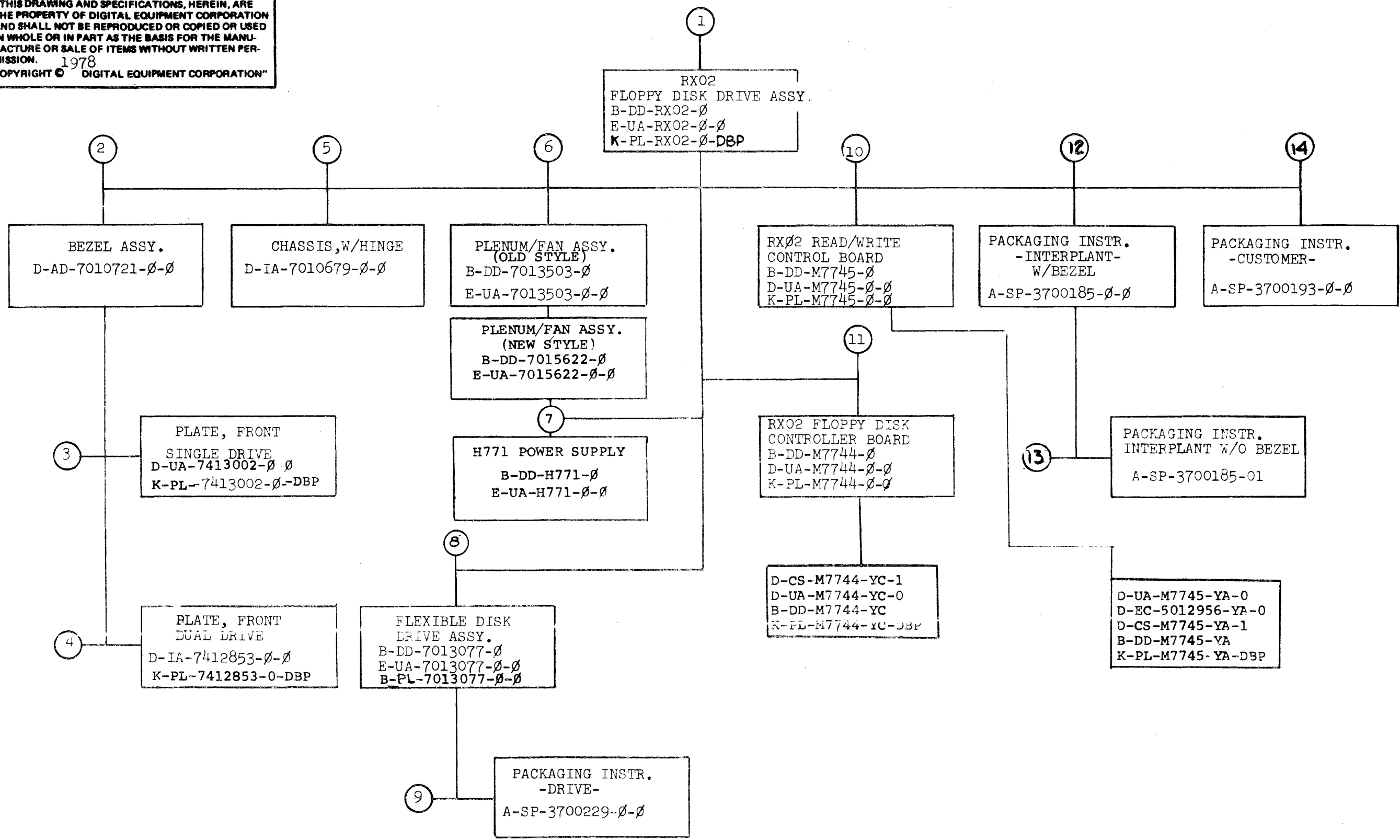
**UNIT VARIATIONS**

VAR	TITLE
RX02-AA	SINGLE FLOPPY DISK SYSTEM, 110V, 60HZ
RX02-AC	SINGLE FLOPPY DISK SYSTEM, 110V, 50HZ
RX02-AD	SINGLE FLOPPY DISK SYSTEM, 230V, 50HZ
RX02-BA	DUAL FLOPPY DISK SYSTEM, 110V 60HZ
RX02-BC	DUAL FLOPPY DISK SYSTEM, 110V, 50HZ
RX02-BD	DUAL FLOPPY DISK SYSTEM, 230V, 50HZ
RX02-CA	SINGLE ADD-ON FLOPPY DISK DRIVE - 60HZ
RX02-CC	SINGLE ADD-ON FLOPPY DISK DRIVE - 50HZ
RX02-DA	RX02-BA, W/O BEZEL & COVER
RX02-DC	RX02-BC, W/O BEZEL & COVER
RX02-DD	RX02-BD, W/O BEZEL & COVER
RX02-LA	RX02-BA, W/O SLIDES & COVER
RX02-LC	RX02-BC, W/O SLIDES & COVER
RX02-LD	RX02-BD, W/O SLIDES & COVER
RX02-NA	RX02-AA, W/O SLIDES & COVER
RX02-NC	RX02-AC, W/O SLIDES & COVER
RX02-ND	RX02-AD, W/O SLIDES & COVER
RX02-VA	RX02 SINGLE FOR KC780, 110V, 60HZ
RX02-VC	RX02 SINGLE FOR KC780, 110V, 50HZ
RX02-VD	RX02 SINGLE FOR KC780, 230V, 50HZ
RX02-BE	DUAL FLOPPY DISK SYSTEM, 110V, 60HZ,
RX02-BJ	DUAL FLOPPY DISK SYSTEM, 230V, 50HZ,

REVISIONS	REV.	CHANGE NO.
	A	RX02-ML001
B	RX02-ML002	
C	RX02-ML003	
D	RX02-ML005	
E	RX02-ML006	
F	RX02-ML007	
H	RX02-SH008	
J	RX02-SH009	

USED ON OPTION/MODEL		DRN	DATE	TITLE	digital		
EX28	LSI-11	Amariu	7-19-78				
EX211		CHK'D.	DATE	RX02 FLOPPY DISK DRIVE ASSY.			
EXV21		Amariu	1 SEPT 78				
EX8		PROJ. ENG.	DATE	SIZE	CODE	NUMBER	REV
EX11		Y. Schavir	9-1-78				
EXV11		PROD.	DATE				
EX78		M. Deo Jagan	9-1-78	DIST.			
SHEET 1 OF 3.							

"THIS DRAWING AND SPECIFICATIONS, HEREIN, ARE THE PROPERTY OF DIGITAL EQUIPMENT CORPORATION AND SHALL NOT BE REPRODUCED OR COPIED OR USED IN WHOLE OR IN PART AS THE BASIS FOR THE MANUFACTURE OR SALE OF ITEMS WITHOUT WRITTEN PERMISSION. 1978 COPYRIGHT © DIGITAL EQUIPMENT CORPORATION"



TITLE	SIZE CODE	NUMBER	REV
RX02 FLOPPY DISK DRIVE	B DD	RX02-0	J
SHEET <sup>2</sup> OF 3			

FIND NO.	DRAWING NO.	DESCRIPTION	TYPE	FIND NO.	DRAWING NO.	DESCRIPTION	TYPE
1	MP-00629	FIELD MAINTENANCE PRINT SET (MP)	-	7	B-DD-H771-Ø	H771 POWER SUPPLY - DRAWING DIRECTORY	-
	B-TC-RX02-0-1	FIELD MAINTENANCE PRINT SET (TC)	-		E-UA-H771-Ø-Ø	H771 POWER SUPPLY ASSY.	E/M
	B-DD-RX02-0	RX02 FLOPPY DISK DRIVE ASSY. - DRAWING DIRECTORY	-		D-IA-7010696-Ø-Ø	POWER HARNESS (VARIATIONS)	E/M
	E-UA-RX02-Ø-Ø	RX02 FLOPPY DISK DRIVE ASSY.	E/M				
	<del>C-PL-RX02-Ø-Ø</del>	<del>RX02 FLOPPY DISK DRIVE ASSY. - PARTS LIST</del>	-				
	A-SP-RX02-0-2	RX02 ENGINEERING SPECIFICATION	E/M				
	<del>EK-ØRXØ2-TM</del>	<del>RXØ2 TECHNICAL MANUAL</del>	E/M	8	B-DD-7013077-Ø	FLEXIBLE DISK DRIVE ASSY. - DRAWING DIRECTORY	-
	C-IA-7015580-Ø-Ø	CABLE ASSY. - M7744/M7745	E/M		E-UA-7013077-Ø-Ø	FLEXIBLE DISK DRIVE ASSY.	E/M
	E-IA-7412666-Ø-Ø	COVER, TOP	M		B-PL-7013077-0-0	FLEXIBLE DISK DRIVE ASSY. - P/L	-
	D-UA-BC05L-Ø-Ø	CABLE, JUMPER	E/M				
	C-MD-7409479-Ø-Ø	PLATE, PRESSURE	M	9	A-SP-3700229-Ø-Ø	PACKAGING INSTRUCTIONS - DRIVE	-
	C-MD-7413350-Ø-Ø	BRACKET, SHIPPING	M				
	A-PS-1212157-Ø-Ø	SLIDES, CHASSIS	M				
	K-PL-RX02-0-DBP	RX02 FLOPPY DISK CONTROLLER ASSY. PARTS LIST	-	10	B-DD-M7745-Ø	RX02 READ/WRITE CONTROL BOARD- DRAWING DIRECTORY	-
					D-UA-M7745-Ø-Ø	RX02 READ/WRITE CONTROL BOARD - ASSY.	E
					K-PL-M7745-Ø-Ø	RX02 READ/WRITE CONTROL BOARD - PARTS LIST	E
2	D-AD-7010721-Ø-Ø	BEZEL ASSY.	M		D-CS-M7745-Ø-1	RX02 READ/WRITE CONTROL BOARD - CIRCUIT SCHEMATIC	E
	E-MD-741450-Ø-Ø	BEZEL (DIECAST)	M				
3	E-IA-7413002-Ø-Ø	PLATE, FRONT, SINGLE DRIVE	M	11	B-DD-M7744-Ø	RX02 FLOPPY DISK CONTROLLER BD-DRAWING DIRECTORY	-
	C-SS-7413002-Ø-Ø	SILK SCREEN, SINGLE DRIVE	M		D-UA-M7744-Ø-Ø	RX02 FLOPPY DISK CONTROLLER BD-ASSY.	E
	K-PL-7413002-0-DBP	PLATE, FRONT, SINGLE DRIVE, PARTS LIST	-		K-PL-M7744-Ø-Ø	RX02 FLOPPY DISK CONTROLLER BD. - PARTS LIST	E
					D-CS-M7744-Ø-1	RX02 FLOPPY DISK CONTROLLER BD. - CIRCUIT SCHEMATIC	E
4	D-IA-7412853-Ø-Ø	PLATE, FRONT, DUAL DRIVE	M		D-UA-M7745-YA-0		
	C-SS-7412853-Ø-Ø	SILK SCREEN, DUAL DRIVE	M		D-EC-5012956-YA-0		
	K-PL-7412853-0-DBP	PLATE, FRONT, DUAL DRIVE, PARTS LIST	-		D-CS-M7745-YA-1		
					B-DD-M7745-YA		
					K-PL-M7745-YA-DBP		
					D-CS-M7744-YC-1		
					D-UA-M7744-YC-0		
					B-DD-M7744-YC		
					K-PL-M7744-YC-DBP		
5	D-IA-7010679-Ø-Ø	CHASSIS, W/HINGE	M				
	E-IA-7412665-Ø-Ø	CHASSIS, FLEXIBLE DISK DRIVE	M				
	C-MD-7413236-Ø-Ø	HINGE, LOGIC	M				
6	B-DD-7013503-Ø	PLENUM/FAN ASSY. - DRAWING DIRECTORY (OLD STYLE)	-		A-SP-3700185-Ø-Ø	PACKAGING INSTRUCTIONS - INTERPLANT (W/BEZEL)	-
	E-UA-7013503-Ø-Ø	PLENUM/FAN ASSY. (OLD STYLE)	E/M				
				13	A-SP-3700185-01	PACKAGING INSTRUCTIONS - INTERPLANT (W/O BEZEL)	-
	B-DD-7015622-Ø	PLENUM/FAN ASSY. - DRAWING DIRECTORY (NEW STYLE)	-				
	E-UA-7015622-Ø-Ø	PLENUM/FAN ASSY. (NEW STYLE)	-	14	A-SP-3700193-Ø-Ø	PACKAGING INSTRUCTIONS - CUSTOMER	-

TYPE: E ELECTRICAL  
M MECHANICAL  
E/M ELECTRO/MECHANICAL



TITLE

RX02-FLOPPY DISK DRIVE

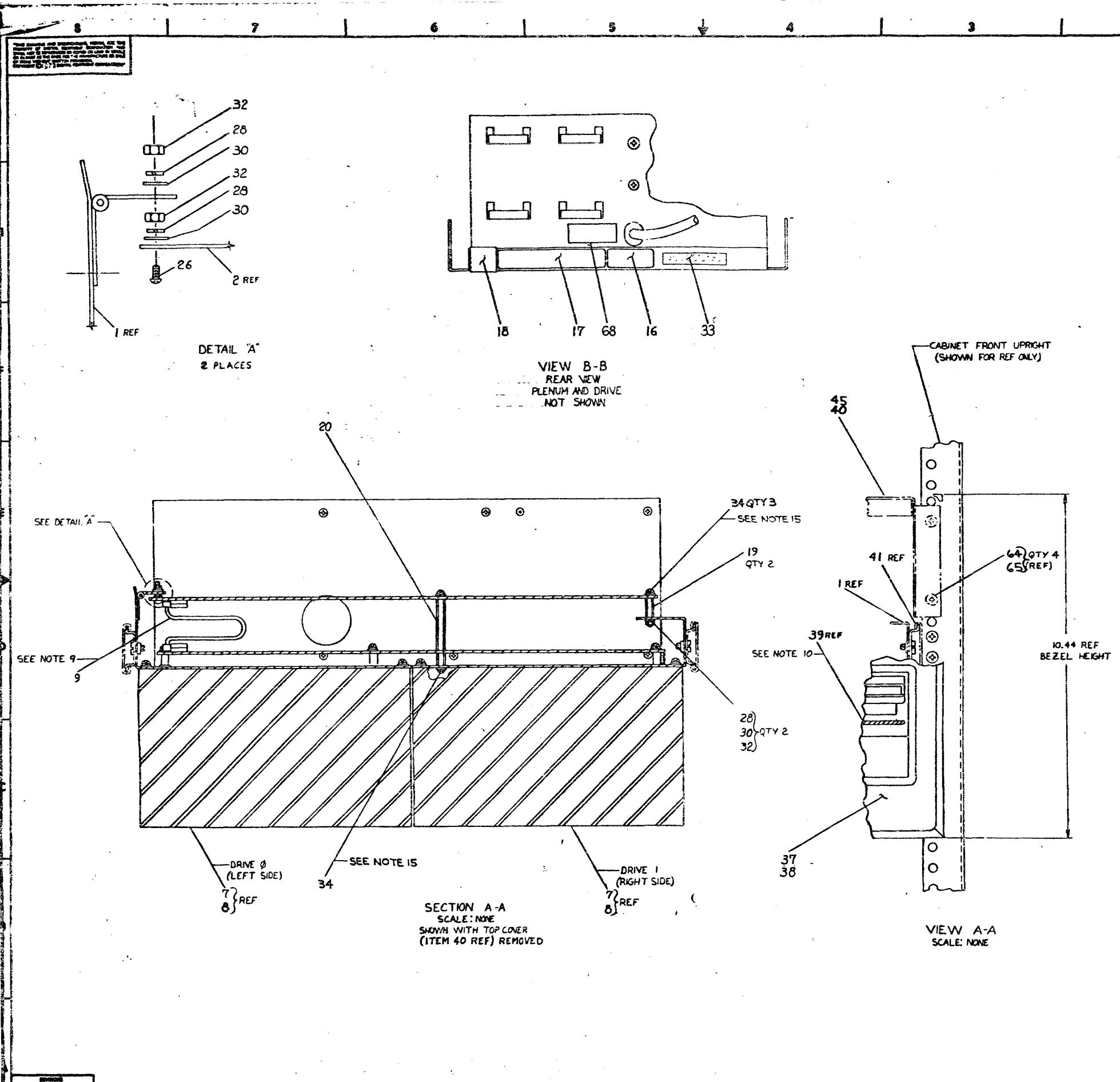
SHEET 3 OF 3

SIZE CODE  
B DD

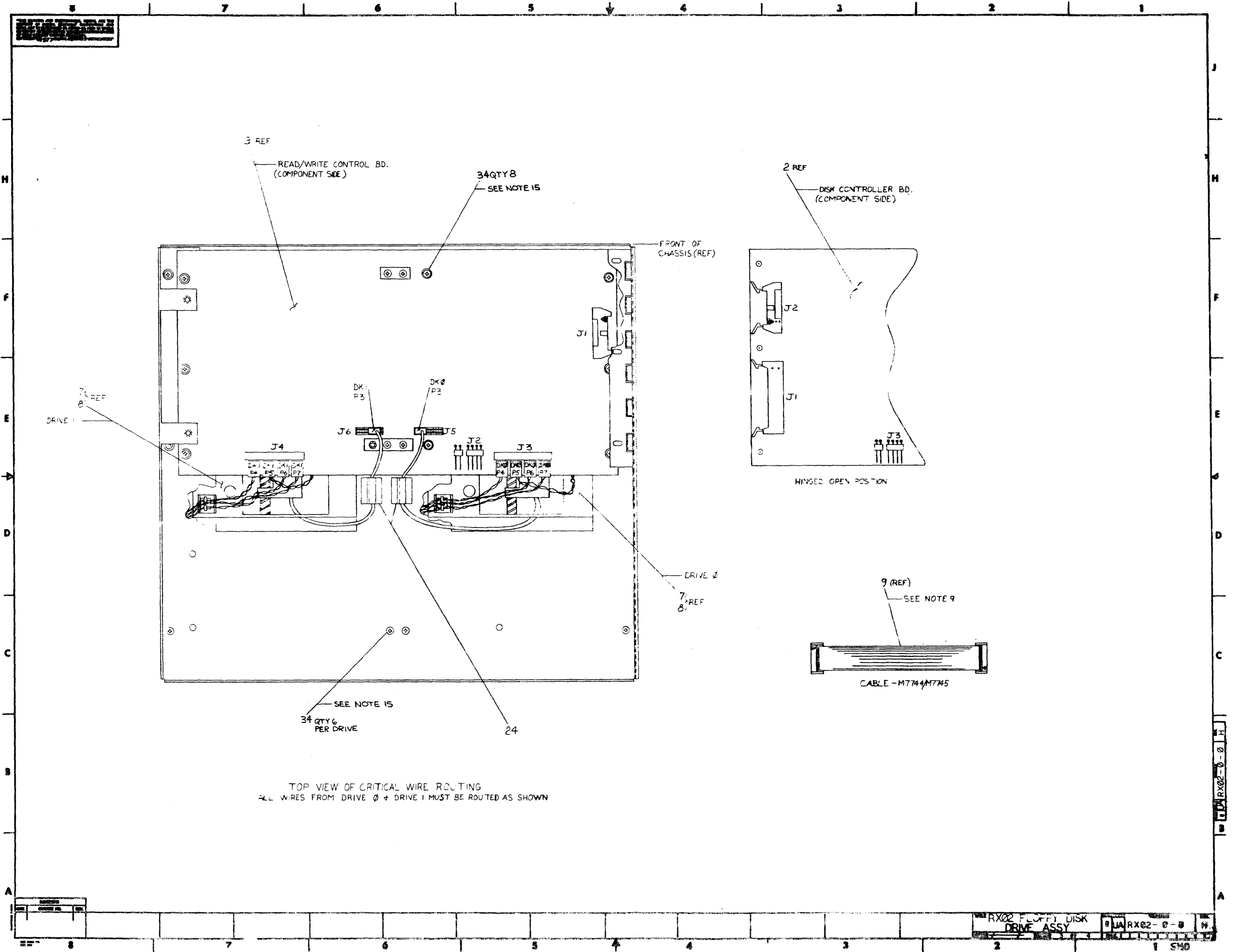
NUMBER  
RX02-Ø

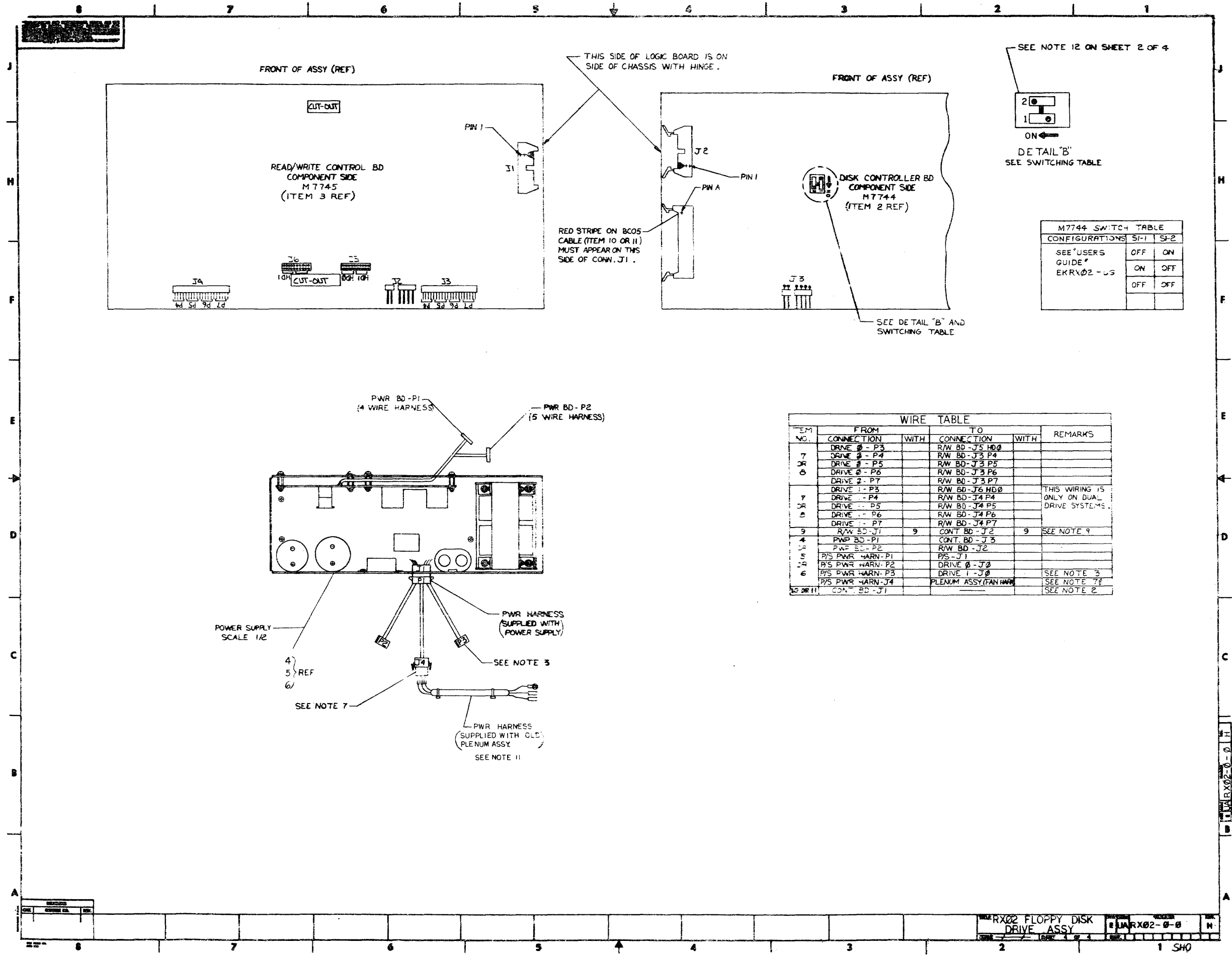
REV  
J





- NOTES:**
- 1- 8 EACH BINDER HD SCR. #10 32 X .39L TO MOUNT SLIDES TO CHASSIS AND 4 EACH #10-32 BARNUTS TO MOUNT SLIDES TO CAB UPRIGHTS ARE SUPPLIED WITH EACH SET OF SLIDES. SEE PURCH. SPEC (ITEM 4) FOR ASSY INSTRUCTIONS.
  - 2 THE "BC" CABLE ITEM #10 OR 11 MUST HAVE THE RED STRIPE FACING THE FRONT OF THE CHASSIS (PIN A SIDE OF CONN) WHEN IT IS PLUGGED INTO THE CONTROL BOARD. DRESS THE CABLE AGAINST THE WALL OF THE CHASSIS & ROUTE THE CABLE OUT OF THE REAR OF THE CHASSIS THEN DOWN THROUGH THE PRESSURE PLATE (ITEM #21).
  - 3- WITH A SINGLE DRIVE SYSTEM, TIE "PWR SPLY- PWR HARNESS- P3" TO REAR OF POWER SUPPLY USING A TIE WRAP (ITEM #23).
  - 4- TO SELECT VOLTAGE ON 50HZ VARIATIONS SEE LEGEND ON POWER SUPPLY DRAWING E-UA-H771-0-0.
  - 5- PLENUM/FAN ASSY (ITEMS #12, 13, 14 & 15) SHOWN ON THIS DRAWING. FOR MOUNTING INSTRUCTIONS SEE DRAWING E-UA-7015622-0-0.
  - 6- FOR LA, LC & LD VARIATIONS, RACK MOUNTG. HARDWARE & CABINET MOUNTING IS NOT USED.
  - 7- IF NO PLENUM ASSY (ITEMS #12, 13, 14 & 15) IS USED, A BLANK FEMALE HOUSING ON END OF FAN PLUG IS PROVIDED.
  - 8- TO FULFILL UL/CSA REQUIREMENTS, ITEM 36, A BLACK SHIPPING BRACKET, MUST BE MOUNTED IN PLACE WHENEVER DRIVE IS IN SERVICE. ITEM 36 MAY BE UNBOLTED FROM CABINET FOR MAINTENANCE PURPOSES BUT MUST BE REPLACED WHEN RESTORING DRIVE TO NORMAL SERVICE.
  - 9- ITEM 9 (80 INTERCONNECT CABLE) IS TO BE INSTALLED WITHOUT A TWIST.
  - 10- A DISKETTE, ITEM 39, IS SUPPLIED WITH EACH DRIVE OF A FLOPPY DISK SYSTEM.
  - 11- WHEN PLENUM IS USED, MATCH WIRING COLORS FROM FAN HARNESS TO POWER HARNESS J4 BLANK FEMALE HOUSING.
  - 12- THE RX02 DISK CONTROLLER MODULE (ITEM 2) HAS A DUAL SWITCH WHICH MUST BE MANUALLY POSITIONED FOR PROPER OPERATION WITH DIFFERENT INTERFACES AND SYSTEMS. SEE USER'S GUIDE (E-RX02-UG) FOR PROPER SWITCH CONFIGURATION REQUIRED. REFER TO DETAIL "B" ON SHEET #4 OF 4.
  - 13- ITEMS 60 THRU 65 ON THIS ASS'Y ARE ALL REFERENCE ITEMS. THESE ITEMS ARE SUPPLIED BY THE HARDWARE KIT (A-PL-7017035-0-0) AND ARE SHOWN AT THIS ASS'Y LEVEL FOR MOUNTING AND INSTALLING FOR THE DIFFERENT RX02 VARIATIONS.
  - 14- FOR EARLIER VERSIONS OF PLENUM/FAN ASSY (TYPE WITH BOXER FAN) REFER TO E-UA-RX02-0-0 REV. A.
  - 15- SEMS SCREWS, ITEM 34, CAN BE REPLACED BY USING ONE EACH OF ITEMS 25, 28 & 30. TORQUE SEMS SCREWS TO 8 ± 1 IN.-LBS.
  - 16- DRIVE CHASSIS TRACK SLIDES REQUIRE ITEMS 63 AND 65.





SEE NOTE 12 ON SHEET 2 OF 4

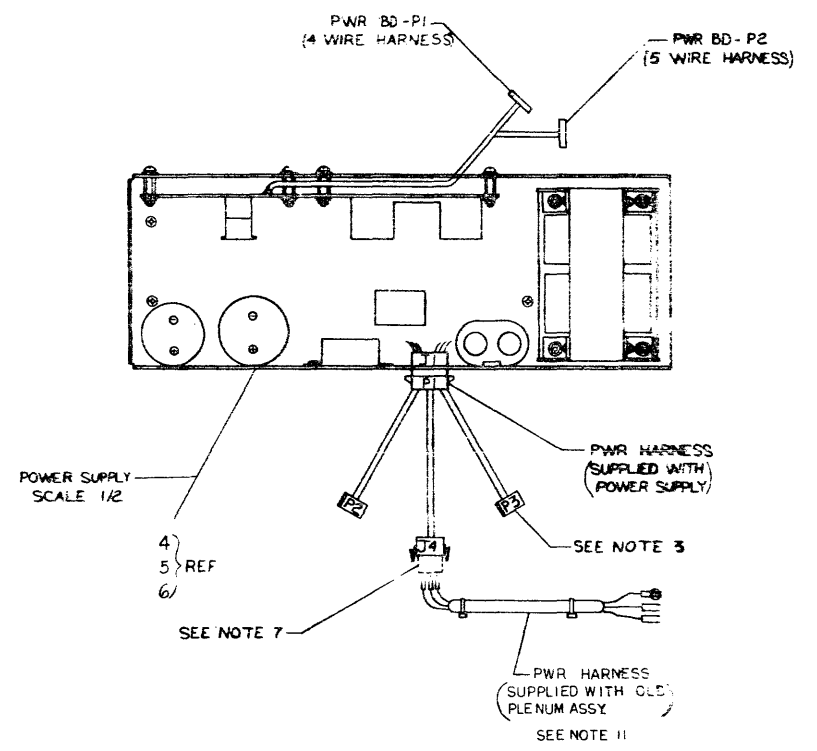
2  
1  
ON ←  
DETAIL "B"  
SEE SWITCHING TABLE

M7744 SWITCH TABLE

CONFIGURATIONS	SI-1	SI-2
SEE "USERS GUIDE" EKRX02-US	OFF	ON
	ON	OFF
	OFF	OFF

WIRE TABLE

ITEM NO.	FROM CONNECTION	WITH	TO CONNECTION	WITH	REMARKS
7 OR 8	DRIVE 0 - P3		R/W BD - J5 H00		
	DRIVE 0 - P4		R/W BD - J3 P4		
	DRIVE 0 - P5		R/W BD - J3 P5		
	DRIVE 0 - P6		R/W BD - J3 P6		
	DRIVE 2 - P7		R/W BD - J3 P7		
	DRIVE 1 - P3		R/W BD - J6 H00		THIS WIRING IS ONLY ON DUAL DRIVE SYSTEMS.
	DRIVE 1 - P4		R/W BD - J4 P4		
OR 5	DRIVE 1 - P5		R/W BD - J4 P5		
	DRIVE 1 - P6		R/W BD - J4 P6		
	DRIVE 1 - P7		R/W BD - J4 P7		
9	R/W BD - J1	9	CONT. BD - J2	9	SEE NOTE 9
4	P/W BD - P1		CONT. BD - J3		
J2	P/W BD - P2		R/W BD - J2		
5	P/S PWR HARN - P1		P/S - J1		
5	P/S PWR HARN - P2		DRIVE 0 - J0		
6	P/S PWR HARN - P3		DRIVE 1 - J0		SEE NOTE 3
6	P/S PWR HARN - J4		PLENUM ASSY (FAN HARN)		SEE NOTE 7
10 OR 11	CONT. BD - J1				SEE NOTE 2





DRAWING NO.	NO. OF SHTS.	PART NO.	DESCRIPTION	REVISIONS																									
				A	B	C	D	E	F	G	H	I	J	K	L	M	N	O	P	Q	R	S	T	U	V	W	X	Y	Z
D-UA-M7744-0-0	3		RX02 FLOPPY DISK CONTROLLER	B	C	D	E	F	H	J																			
K-PL-M7744-0-DBP	2		PARTS LIST DATA BASE	B	C	D	E	F	H	J																			
D-CS-M7744-0-1	10		RX02 FLOPPY DISK CONTROLLER	B	C	D	E	F	H	J																			
D-MD-5012891-0-0	4		DRILL & ETCH DWG.	B	B	C	C	C	C	C																			
B-DD-M7744-0	1		RX02 FLOPPY DISK CONTROLLER	*	A	B	C	D	E	F																			
		5012891	ETCHED CIRCUIT BOARD	C	C	D	D	D	D	D																			
K-PC-M7744-0-DBC	-		P.C. DESIGN DATA BASE	-	-	D	D	D	D	D																			

**NOTES:**

DATE	CHG NO.	REV.	A	B	C	D	E	F	REVISIONS																			
5/78	00001																											
6/78	00002																											
10/78	ML003																											
12/78	ML004																											
1/80	ML005																											
6/80	ML006																											

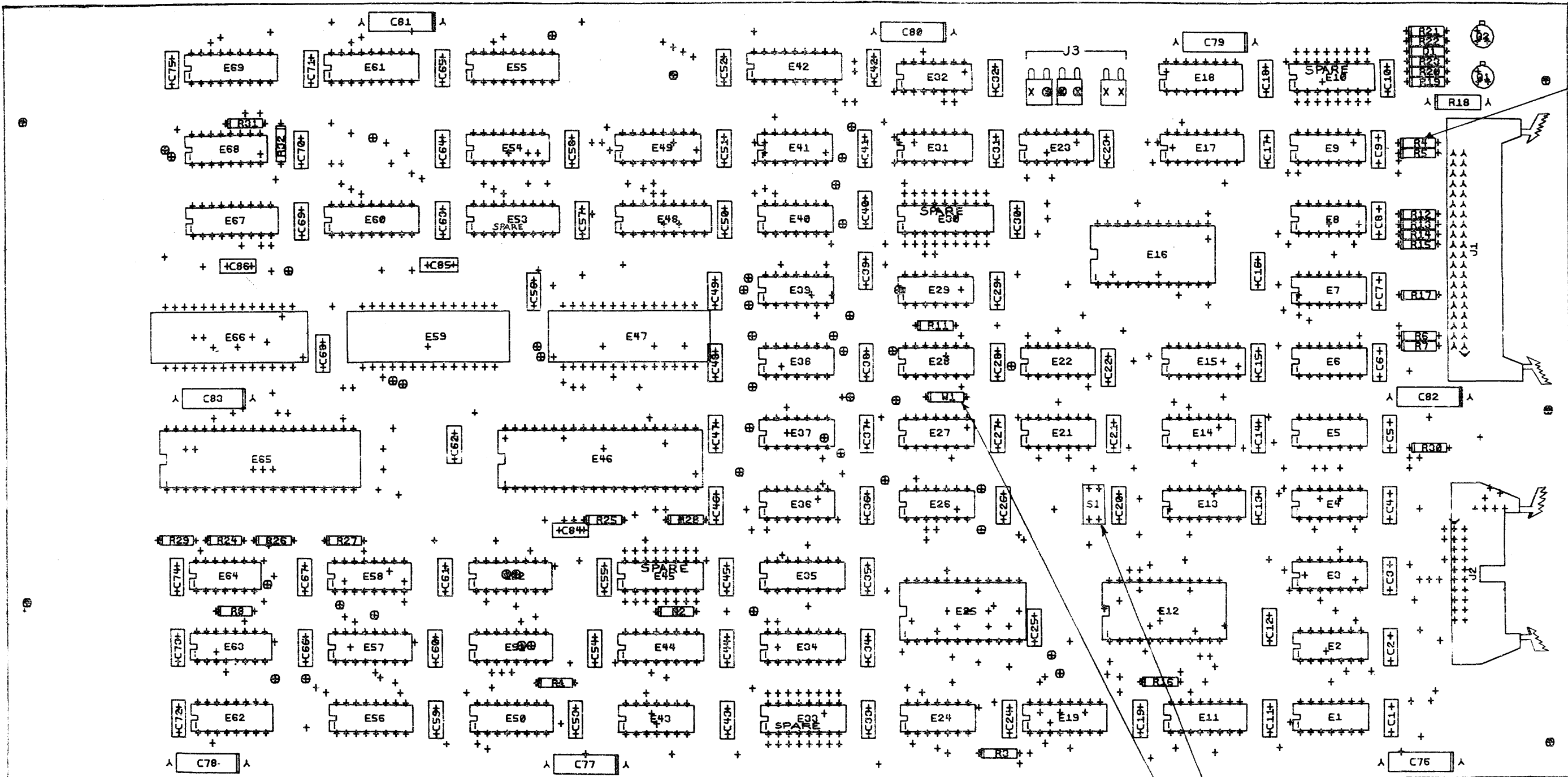
THIS DRAWING AND SPECIFICATIONS, HEREIN, ARE THE PROPERTY OF DIGITAL EQUIPMENT CORPORATION AND SHALL NOT BE REPRODUCED OR COPIED OR USED IN WHOLE OR IN PART AS THE BASIS FOR THE MANUFACTURE OR SALE OF ITEMS WITHOUT WRITTEN PERMISSION.  
 COPYRIGHT © 1977 DIGITAL EQUIPMENT CORPORATION



USED ON OPTION/MODEL	DRN. D. MAYUSKI	8/10/77
RX02	CHK'D K. GRIGGS	12/12/77
	ENG. K. GRIGGS	2/3/78
	PROD. W. BROWN	2/3/78

TITLE RX02 FLOPPY DISK CONTROLLER			
SIZE	CODE	NUMBER	REV.
B	DD	M7744-0	F
SHEET 1 OF 1			

COMPONENT SIDE VIEW



SEE NOTE 3

SEE TABLE A  
SEE NOTE 1

**TABLE A**

BOARD VERSION	SWITCH	POS.
-B	OFF	2
-YA	ON	OFF
-YB	OFF	OFF

- NOTES:
- W1 INSERTED AFTER GR TEST
  - IC'S AREN'T TO BE INSERTED IN LOCATIONS E42, E55, E61 AND E60.
  - R4 IS A SPARE RES.

CHG	NO	REV	DATE	BY
1	17744-0000	C	11/11/78	K. GRIGGS
2	17744-0000	D	11/11/78	K. GRIGGS
3	17744-0000	E	11/11/78	K. GRIGGS
4	17744-0000	F	11/11/78	K. GRIGGS
5	17744-0000	G	11/11/78	K. GRIGGS
6	17744-0000	H	11/11/78	K. GRIGGS
7	17744-0000	I	11/11/78	K. GRIGGS
8	17744-0000	J	11/11/78	K. GRIGGS
9	17744-0000	K	11/11/78	K. GRIGGS
10	17744-0000	L	11/11/78	K. GRIGGS
11	17744-0000	M	11/11/78	K. GRIGGS
12	17744-0000	N	11/11/78	K. GRIGGS
13	17744-0000	O	11/11/78	K. GRIGGS
14	17744-0000	P	11/11/78	K. GRIGGS
15	17744-0000	Q	11/11/78	K. GRIGGS
16	17744-0000	R	11/11/78	K. GRIGGS
17	17744-0000	S	11/11/78	K. GRIGGS
18	17744-0000	T	11/11/78	K. GRIGGS
19	17744-0000	U	11/11/78	K. GRIGGS
20	17744-0000	V	11/11/78	K. GRIGGS
21	17744-0000	W	11/11/78	K. GRIGGS
22	17744-0000	X	11/11/78	K. GRIGGS
23	17744-0000	Y	11/11/78	K. GRIGGS
24	17744-0000	Z	11/11/78	K. GRIGGS

ETCH REV. D-P1
P.C. DESIGN DATA BRSE REV. D

SIGNATURES	DATE
DRN. <i>[Signature]</i>	11/11/78
CHK'D. <i>[Signature]</i>	11/11/78
ENG. <i>[Signature]</i>	11/11/78
PROJ. ENG. <i>[Signature]</i>	11/11/78
PROD. <i>[Signature]</i>	11/11/78

digital

TITLE RX02 FLOPPY DISK CONTROLLER

SCALE 2/1

SHT. 1 OF 3

NEXT NUMBER REV. B-DD-M7744-0

SIZE CODE NUMBER REV  
D JA M7744-0-0 U

LINE	ITEM	DOCUMENT NUMBER	PART NUMBER	DESCRIPTION	QTY PER VARIATION	REFERENCE DESIGNATOR
					00	
1	1	D-CS-M7744-0-1		CIRCUIT SCHEMATIC	REF	
2	2	D-UA-M7744-0-0		UNIT ASSY.	REF	
3	3	B-DD-M7744-0-0		DWG.DIRECTORY	REF	
4	4	D-MD-5012891-0-0		DRILL&ETCH DWG.	REF	
5	5		5012891-00	RX02 FLOPPY DISC CONTROLLER	1	
6	6		1001610-00	.01 MFD 50V +80-20% 25U CER	78	C1-C75,C84-C86
7	7		1012084-01	8 MFD 25V +75-10% AL EL	8	C76-C83
8	8		1104860-00	1N 746A VZ= 3.3 5%	1	D1
9	9		1209941-02	HEADER 100 40POS RT ANGLE	1	J1
10	10		1209941-03	HEADER RT ANGLE LEFT L	2	
11	11		1209941-04	HEADER RT ANGLE,RIGHT	2	
12	12		1209941-06	HEADER.100 20POS RT ANGLE	1	J2
13	13		1212204-00	HEADER.156 2POS RT ANGLE	1	J3
14	14		1300228-00	100.0 .50 W 5.0 % CC	1	R18
15	15		1306250-00	150.0 .25 W 5.0 % CC	1	R17
16	16		1300271-00	220.0 .25 W 5.0 % CC	5	R25-R28,R31
17	17		1300295-00	330.0 .25 W 5.0 % CC	1	R32
18	18		1300309-00	390.0 .25 W 5.0 % CC	4	R5,R7,R13,R15
19	19		1300365-00	1.0 K .25 W 5.0 % CC	9	R1-R3,R8,R11,R16,R24,R29,R30
20	20		1300479-00	10.0 K .25 W 5.0 % CC	1	R19
21	21		1301322-00	180. .25 W 5.0 % CC	5	R6,R12,R14,R20,R21
22	22		1302873-00	261.0 .25 W 1.0 % RN55D-F10	1	R22
23	23		1305124-00	287.0 .25 W 1.0 % RN55D-F10	1	R23
24	24		1510705-00	XA 05 NPN 500MW SI 60 50 P	1	Q2
25	25		1510706-00	XA 55 PNP 500MW SI 60 50 P	1	Q1
26	26		1811660-00	CSCILLATOR, XTAL 20.000 MHZ	1	E27
27	27		1909701-00	74154 1 OF 16,BINA	1	E16
28	28		1909705-00	DEC 8881 NAND GATE-QUAD 2IN 0	2	E7,E8
29	29		1910091-00	DEC 7437 AND GATE-QUAD 2IN,BU	1	E21
30	30		1910153-00	DEC 74150 MUX 1 OF 16	2	E12,E25

REVISION HISTORY			BASIC PART NO: M7744		DRN:	V.MANGUADIS	DATE: 18-MAY-78	DIGITAL			
ENG	ECO NUMBER	REV	SECTION A OF A		CHK'D:	K.GRIGGS	DATE: 18-MAY-78	TITLE PARTS LIST			
			SECTION.VARIATION INDEX					RX02 FLOPPY DISK CONTROLLER			
			[A]	00							
			[B]								
			[C]		DES.ENG:	K.GRIGGS	DATE: 18-MAY-78				
			[D]								
			[E]		RESP.ENG.:	K.GRIGGS	DATE: 18-MAY-78	DOCUMENT NUMBER			
			[F]					SIZE	CODE	NUMBER	REV
			[G]								
			[H]		MFG.ENG.:	J.MONCHELLI	DATE: 18-MAY-78	K	PL	M7744-0-DBP	J
			[I]								
			[J]		ASSEMBLY NUMBER:		TOP DOCUMENT NUMBER:		FILE NAME:		EDIT #
			[K]		D-UA-M7744-0-0		RX02		Z1173J.PLS		20
			[L]								
			[M]								
			[N]								

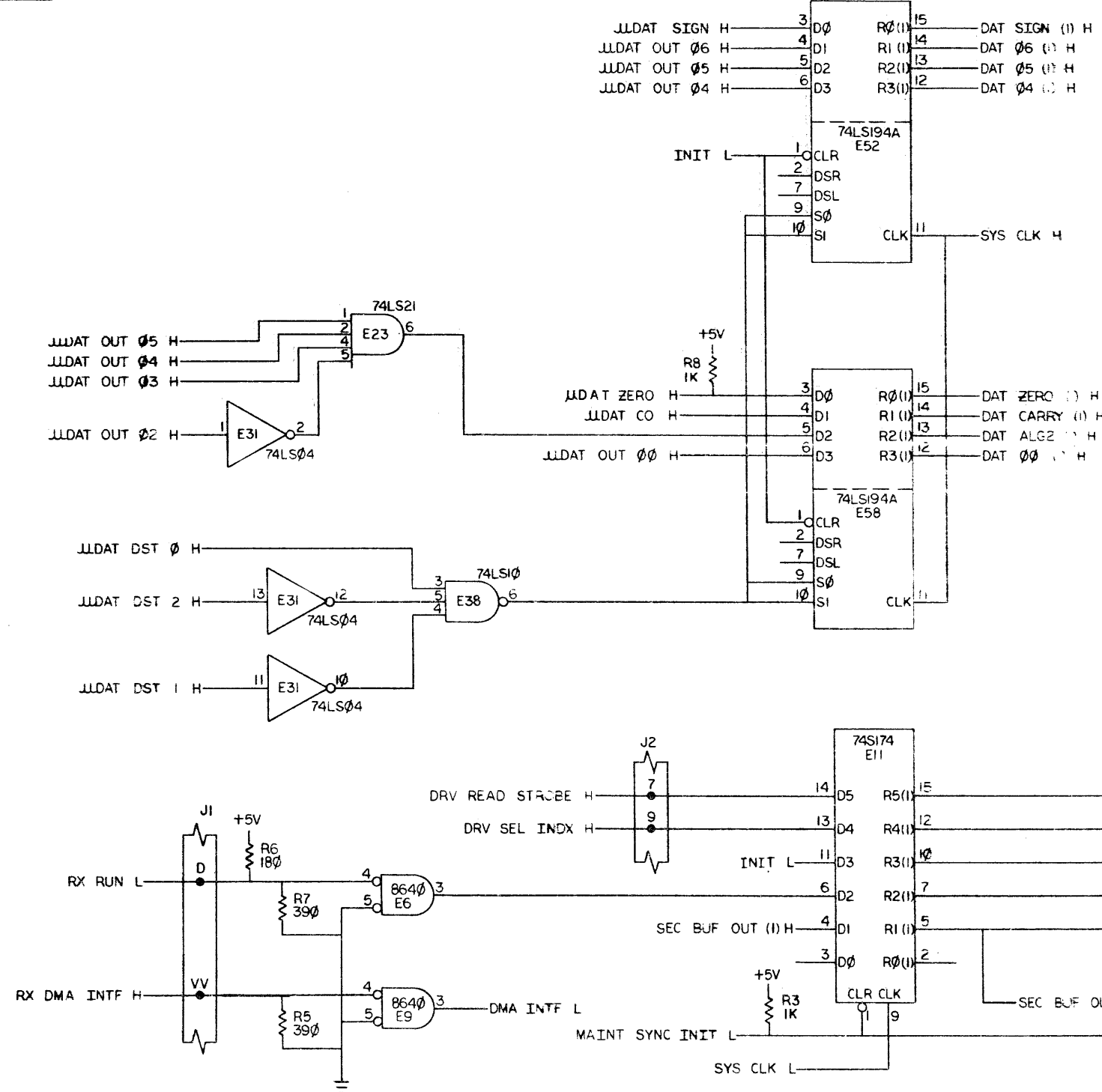
"THIS DRAWING AND SPECIFICATIONS HEREIN, ARE THE PROPERTY OF DIGITAL EQUIPMENT CORPORATION AND SHALL NOT BE REPRGDUCED OR COPIED OR USED IN WHOLE OR IN PART AS THE BASIS FOR THE MANUFACTURE OR SALE OF ITENS WITHOUT WRITTEN PERMISSION. COPYRIGHT (C) 1980. DIGITAL EQUIPMENT CORPORATION"

LINE	ITEM	DOCUMENT NUMBER	PART NUMBER	DESCRIPTION	QTY PER VARIATION	REFERENCE DESIGNATOR
					00	
31	31		1910155-00	DEC 7408 AND GATE, POS. QUAD 2I	2	E3,E4
32	32		1910532-00	74500 NAND GATE-QUAD 2IN	2	E32,E41
33	33		1910534-00	74504 INVERTER GATE-HEX 1I	2	E5,E64
34	34		1910536-00	74S10 NAND GATE-TRIPLE 3IN	1	E39
35	35		1910541-00	74S40 NAND GATE-DUAL 4IN,B	1	E22
36	36		1910544-00	74S74 FF-D DUAL,EDGE TRIGG	1	E28
37	37		1910547-00	74S153 MUX 1 OF 4 (DUAL)	1	E44
38	38		1910550-00	74S174 FF-D HEX	1	E11
39	39		1910651-00	DEC 74175 FF-D QUAD	1	E49
40	40		1910652-00	74174 FF-D HEX	3	E19,E54,E68
41	41		1911469-00	DEC 8640 RECEIVER,BUS,QUAD,U	2	E6,E9
42	42		1911713-00	74163 COUNTER,SYNCHR,4-BIT	2	E34,E35
43	43		1912389-00	74S08 AND GATE-QUAD 2IN,PO	1	E40
44	44		1912696-00	LS194A SHIFT REG.,4BIT BI-D	2	E52,E58
45	45		1912803-00	LS04 INVERTER GATE-HEX 1I	2	E29,E31
46	46		1912805-00	LS08 AND GATE-QUAD 2IN,PO	1	E37
47	47		1912807-00	LS10 NAND GATE-TRIPLE 3IN	1	E38
48	48		1912808-00	LS11 AND GATE-TRIPLE 3IN	1	E26
49	49		1912811-00	LS21 AND GATE-DUAL 4IN,PO	2	E23,E36
50	50		1912820-00	LS51 A-O-I GATE 2-WIDE 2I	1	E24
51	51		1912823-00	LS73 FF-JK DUAL W/CLEAR	3	E1,E2,E14
52	52		1912834-01	74LS112N FF-JK DUAL,EDGE TRIG	5	E13,E15,E17,E18,E50
53	53		1912849-00	LS161 COUNTER,SYNCHR,4BIT	3	E51,E57,E63
54	54		1913245-00	2901 BIPOLAR MICROPROCESSO	2	E46,E65
55	55		1913474-00	9401 GENERATOR/CHECKER CR	1	E43
56	56		1913772-00	AM 2909DC MICROPROGRAM SEQUEN	3	E47,E59,E66
57	57		2111316-01	2102-1 RAM,1024BIT,STATIC	2	E56,E62
58	58		23229F1-00	F1-01	1	E67
59	59		23230F1-00	F1-01	1	E60
60	60		23431F1-00	F1-01	1	E53
61	61		23232F1-00	F1-01	1	E48
62	62		9009185-00	JUMPER, WIRE, INSULATED, BLACK B	1	W1
63	63		9009185-00	*** THIS ITEM IS NOT USED ***	-	
64	64		1211164-07	SW,DIP 1P 1A 2POS	1	S1
65	65		9105740-55	*** THIS ITEM IS NOT USED ***	-	

D	I	G	I	T	A	L	TITLE	SECTION A OF A	SIZE	CODE	DOCUMENT NUMBER	REV
							RX02 FLOPPY DISK CONTROLLER		K	PL	M7744-0-DBP	J

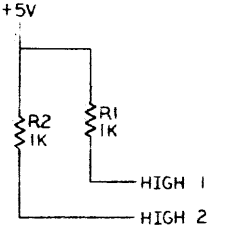
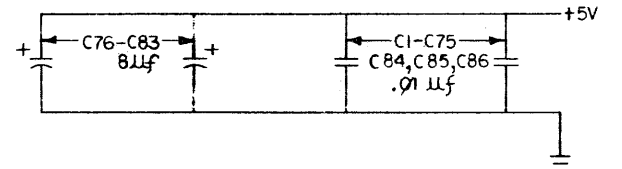
THIS DRAWING AND SPECIFICATIONS HEREIN ARE THE PROPERTY OF DIGITAL EQUIPMENT CORPORATION AND SHALL NOT BE REPRODUCED OR COPIED OR USED IN WHOLE OR IN PART AS THE BASIS FOR THE MANUFACTURE OR SALE OF ITEMS WITHOUT WRITTEN PERMISSION.  
 COPYRIGHT © 1977 DIGITAL EQUIPMENT CORPORATION

M7744-0-1  
 1-0-4727  
 2



NOTE:  
 1. SPARE I C LOCATION AT E10, E30, E33, E45.  
 2. E42, E55, E61, E69 ARE I C LOCATIONS, ONLY, NO COMPONENTS ARE TO BE INSERTED. SEE SHEET 10  
 3.

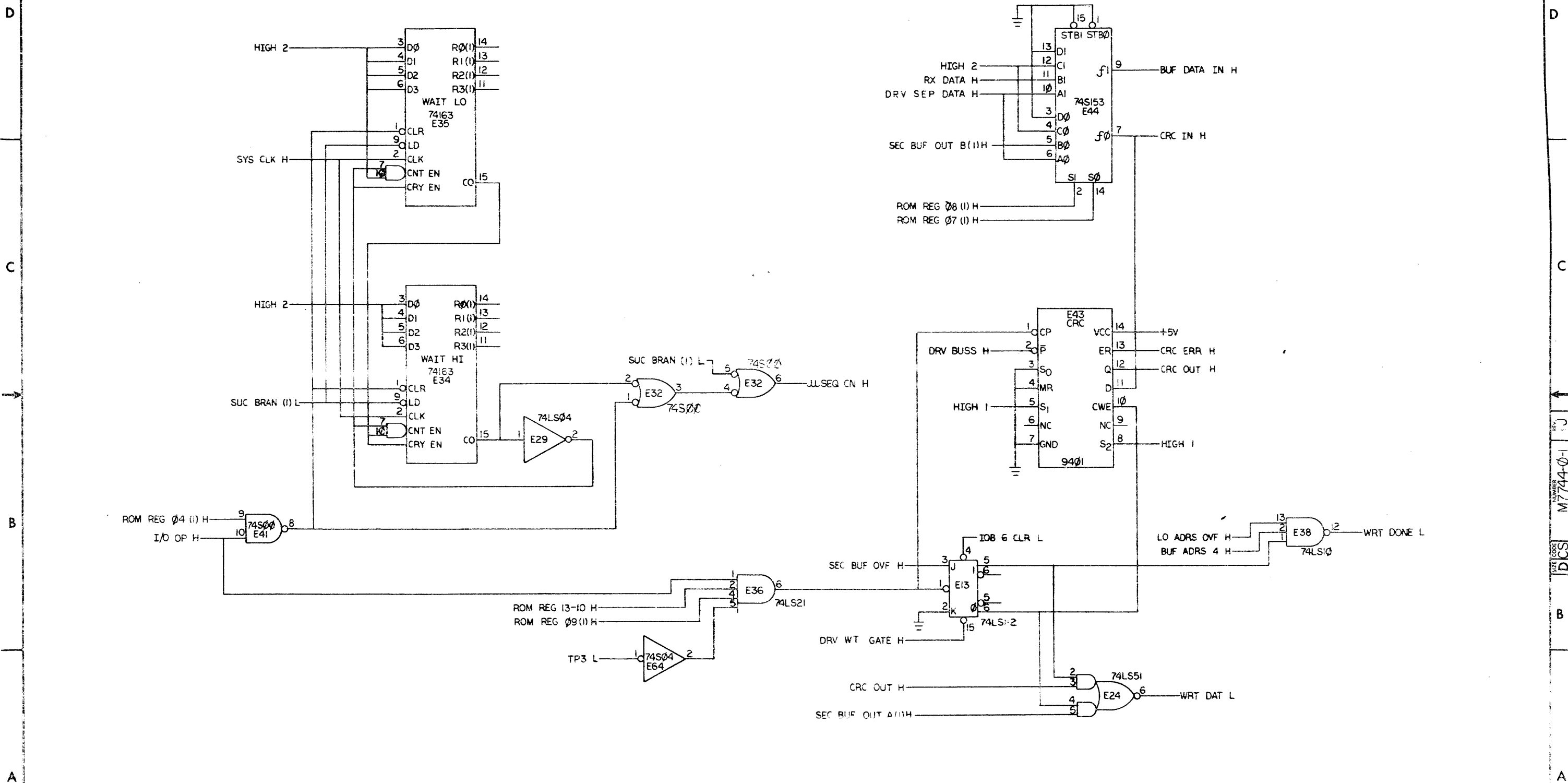
M7744 OPTIONS		
	SI-1	SI-2
-B	OFF	ON
-YA	ON	OFF
-YB	OFF	OFF



REV	DATE	BY	CHKD	DESCRIPTION
1	11/11/76	K. CRISTENDEN	K. CRISTENDEN	INITIAL DESIGN
2	12/15/76	K. CRISTENDEN	K. CRISTENDEN	REVISED FOR M7744-0-1
3	1/15/77	K. CRISTENDEN	K. CRISTENDEN	REVISED FOR M7744-0-1
4	2/15/77	K. CRISTENDEN	K. CRISTENDEN	REVISED FOR M7744-0-1
5	3/15/77	K. CRISTENDEN	K. CRISTENDEN	REVISED FOR M7744-0-1
6	4/15/77	K. CRISTENDEN	K. CRISTENDEN	REVISED FOR M7744-0-1
7	5/15/77	K. CRISTENDEN	K. CRISTENDEN	REVISED FOR M7744-0-1
8	6/15/77	K. CRISTENDEN	K. CRISTENDEN	REVISED FOR M7744-0-1

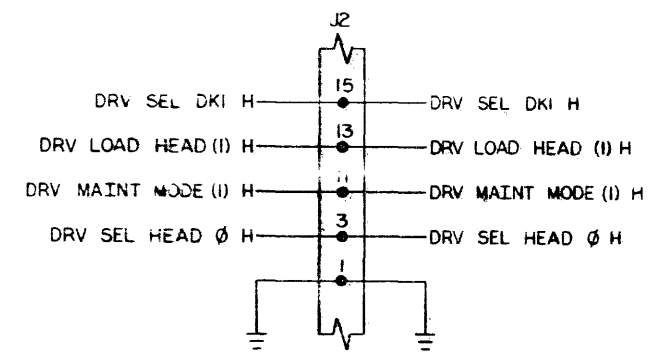
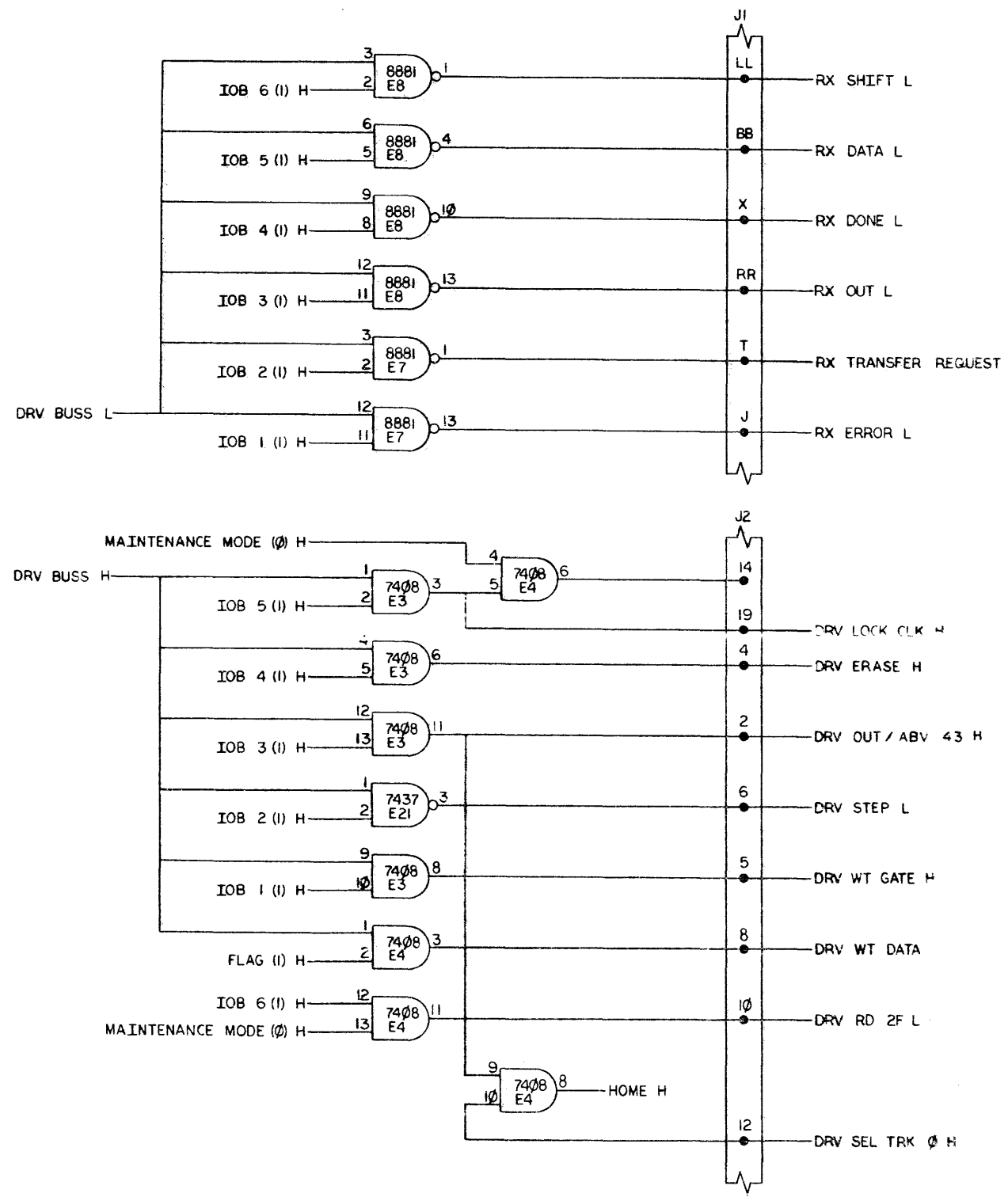
DRN: <i>Amal A. Khan 6/29/77</i>	FIRST USED ON: RX02	Digital
CHKD: <i>David Johnson 12/16/77</i>	TITLE: RX02 FLOPPY DISK CONTROLLER	
ENG: <i>W. J. ... 3/3/77</i>	PROJ. ENG: <i>...</i>	DATE: <i>2/15/78</i>
PROD: <i>...</i>	DATE: <i>2/15/78</i>	
NEXT HIGHER ASSY.		
D-00-M7744-0-1	SIZE CODE: D CS	NUMBER: M7744-0-1
SCALE: 1	DIST.	REV. J
SHEET 1 OF 10		

"THIS DRAWING AND SPECIFICATIONS, HEREIN, ARE THE PROPERTY OF DIGITAL EQUIPMENT CORPORATION AND SHALL NOT BE REPRODUCED OR COPIED OR USED IN WHOLE OR IN PART AS THE BASIS FOR THE MANUFACTURE OR SALE OF ITEMS WITHOUT WRITTEN PERMISSION. COPYRIGHT © 1977 DIGITAL EQUIPMENT CORPORATION"



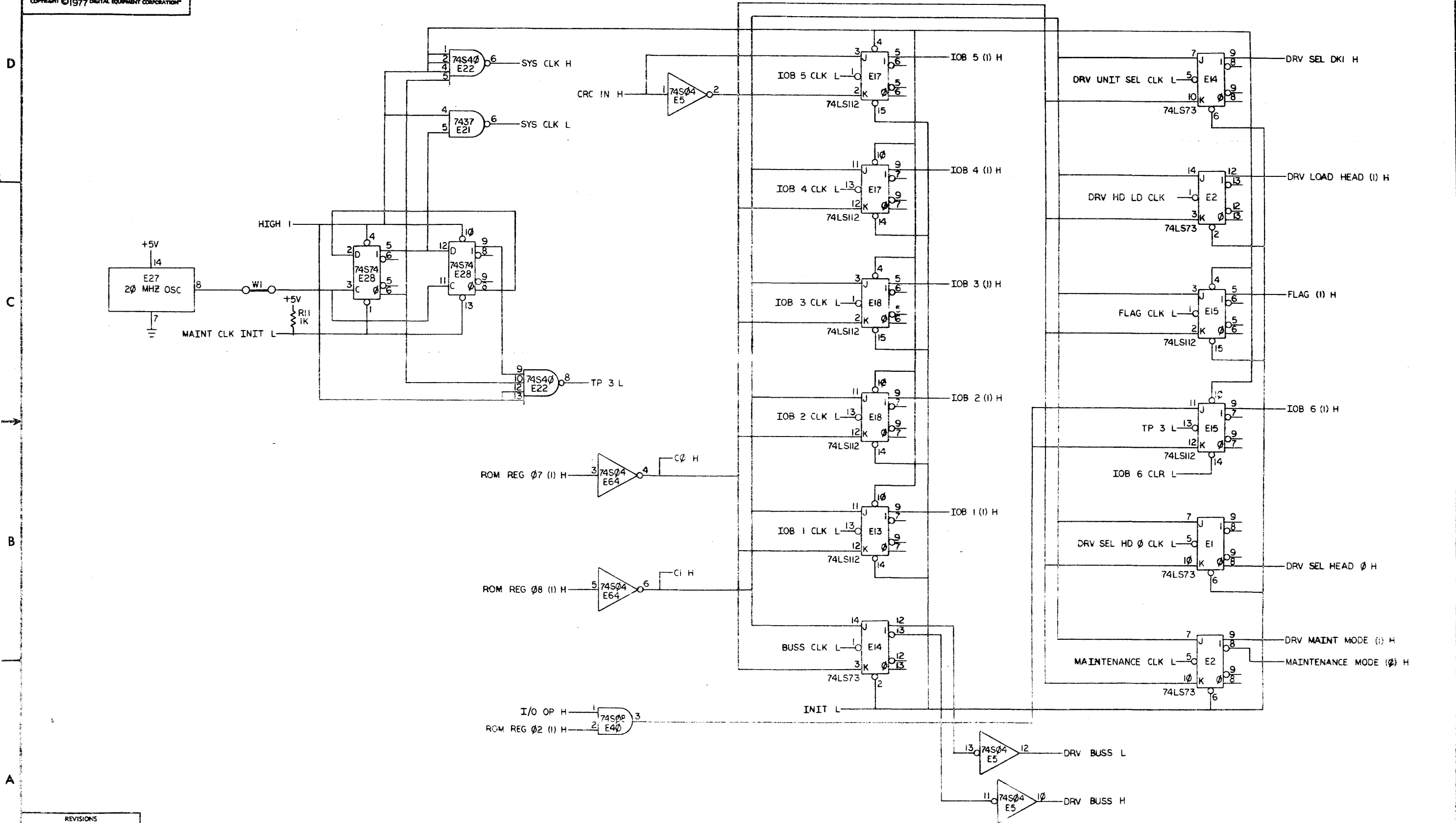
REVISIONS		
CHK	CHANGE NO.	REV

THIS DRAWING AND SPECIFICATIONS HEREIN ARE THE PROPERTY OF DIGITAL EQUIPMENT CORPORATION AND SHALL NOT BE REPRODUCED OR COPIED OR USED IN WHOLE OR IN PART AS THE BASIS FOR THE MANUFACTURE OR SALE OF ITEMS WITHOUT WRITTEN PERMISSION. COPYRIGHT © 1977 DIGITAL EQUIPMENT CORPORATION



REVISIONS		
CHK	CHANGE NO.	REV.

THIS DRAWING AND SPECIFICATIONS HEREIN ARE THE PROPERTY OF DIGITAL EQUIPMENT CORPORATION AND SHALL NOT BE REPRODUCED OR COPIED OR USED IN WHOLE OR IN PART AS THE BASIS FOR THE MANUFACTURE OR SALE OF ITEMS WITHOUT WRITTEN PERMISSION. COPYRIGHT © 1977 DIGITAL EQUIPMENT CORPORATION



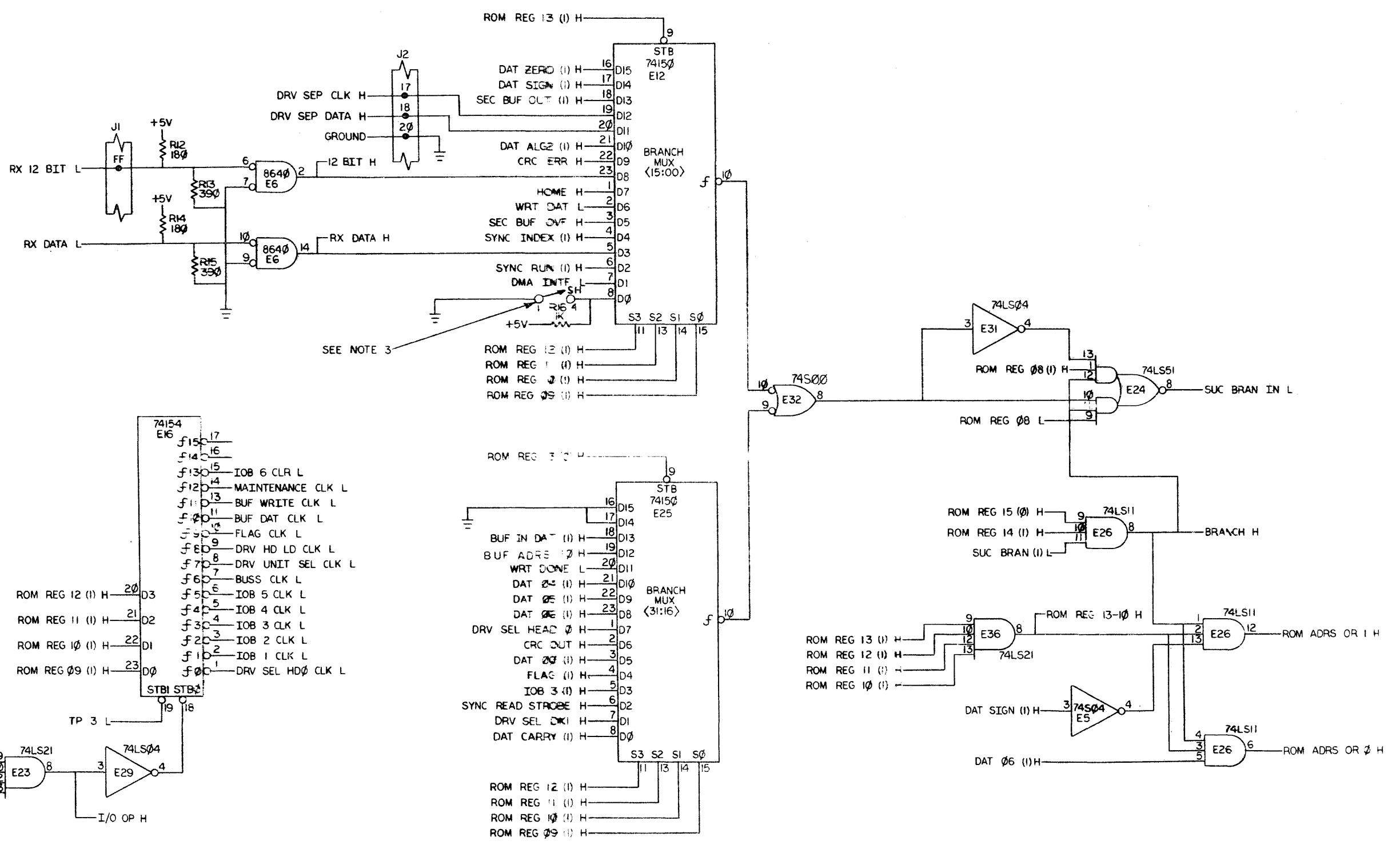
REVISIONS		
CHK	CHANGE NO.	REV.



THIS DRAWING AND SPECIFICATIONS, HEREIN, ARE THE PROPERTY OF DIGITAL EQUIPMENT CORPORATION AND SHALL NOT BE REPRODUCED OR COPIED OR USED IN WHOLE OR IN PART AS THE BASIS FOR THE MANUFACTURE OR SALE OF ITEMS WITHOUT WRITTEN PERMISSION. COPYRIGHT © 1977 DIGITAL EQUIPMENT CORPORATION

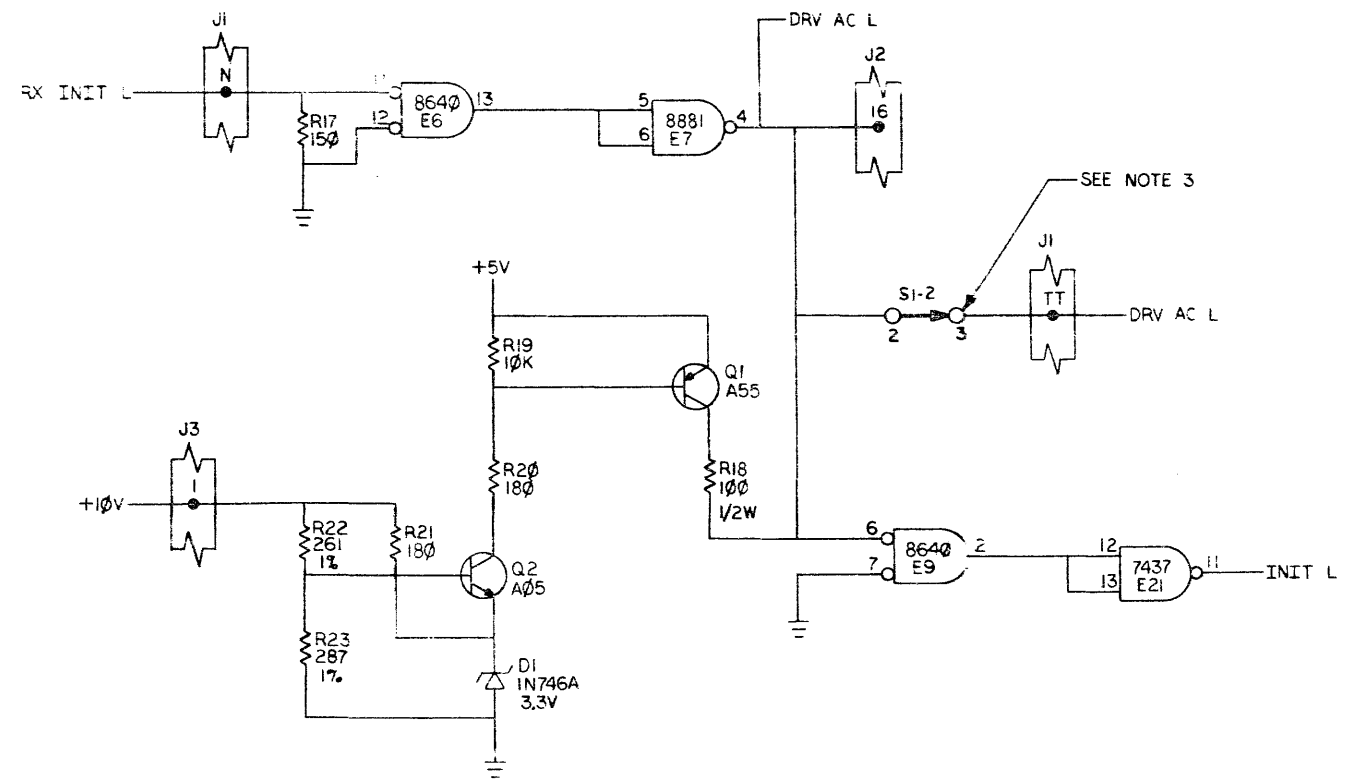
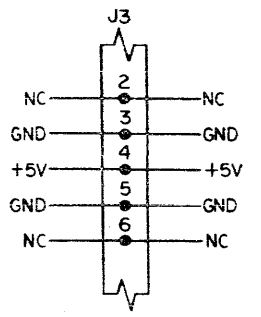
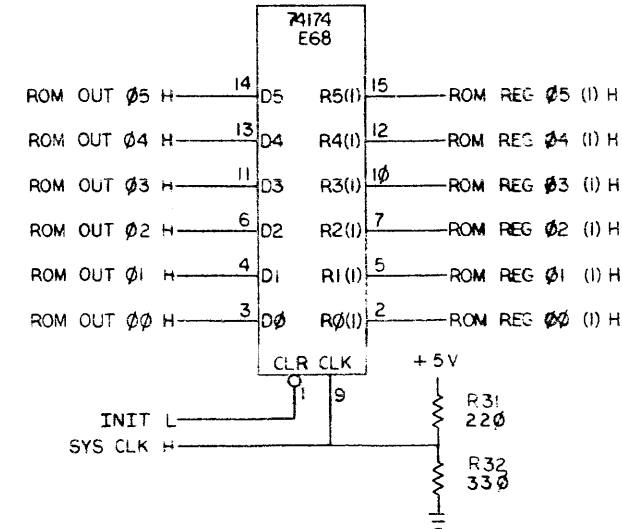
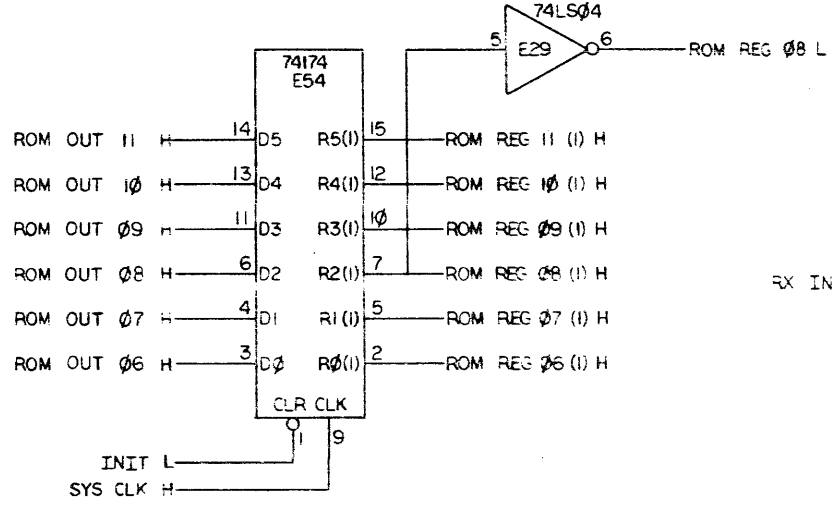
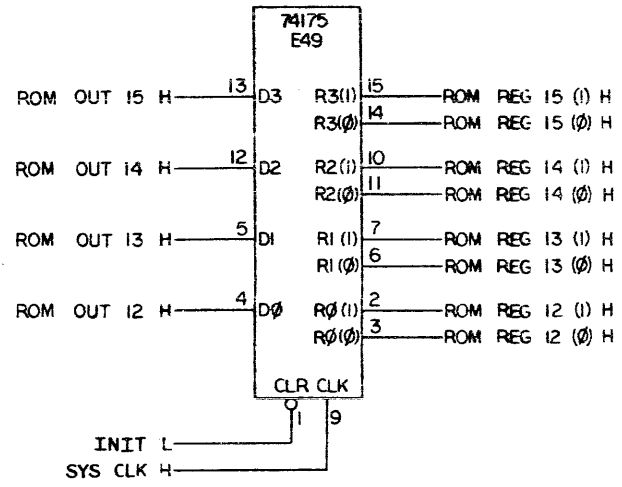
D  
C  
B  
A

D  
C  
B  
A



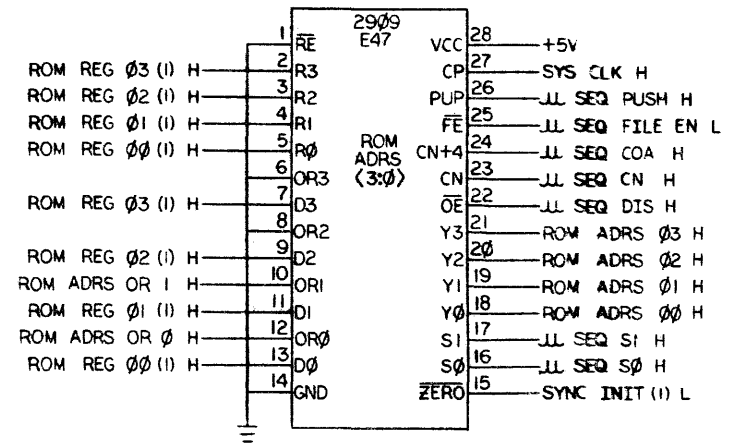
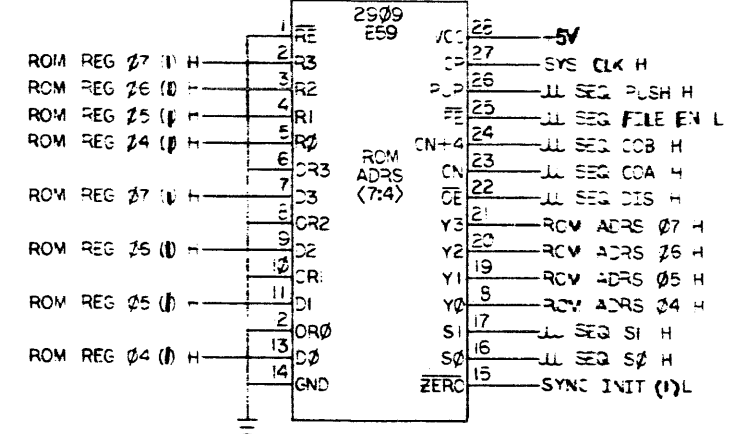
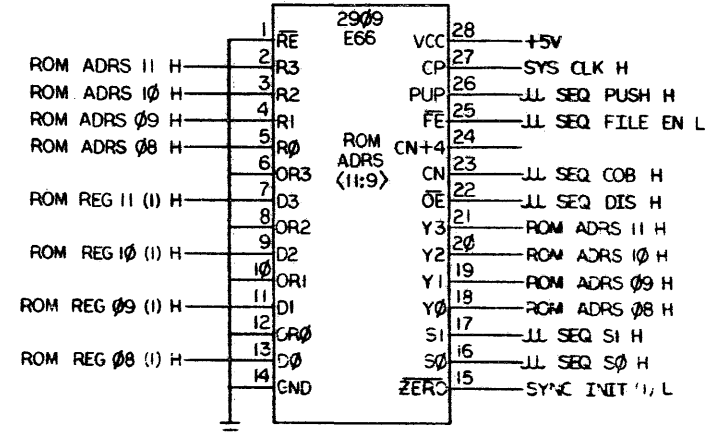
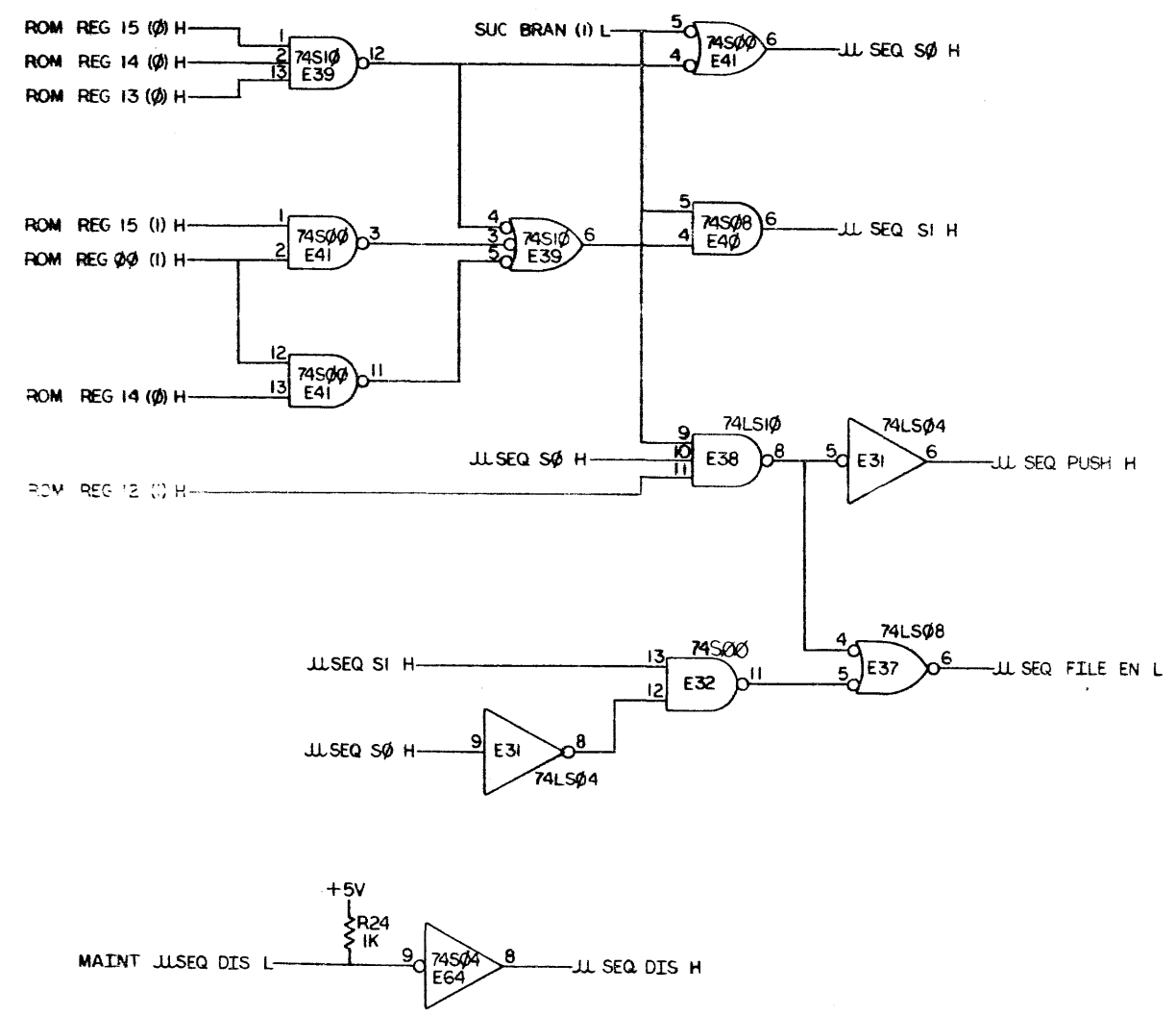
REVISIONS		
CHK	CHANGE NO	REV.

THIS DRAWING AND SPECIFICATIONS, HEREIN, ARE THE PROPERTY OF DIGITAL EQUIPMENT CORPORATION AND SHALL NOT BE REPRODUCED OR COPIED OR USED IN WHOLE OR IN PART AS THE BASIS FOR THE MANUFACTURE OR SALE OF ITEMS, WITHOUT WRITTEN PERMISSION. COPYRIGHT © 1977 DIGITAL EQUIPMENT CORPORATION



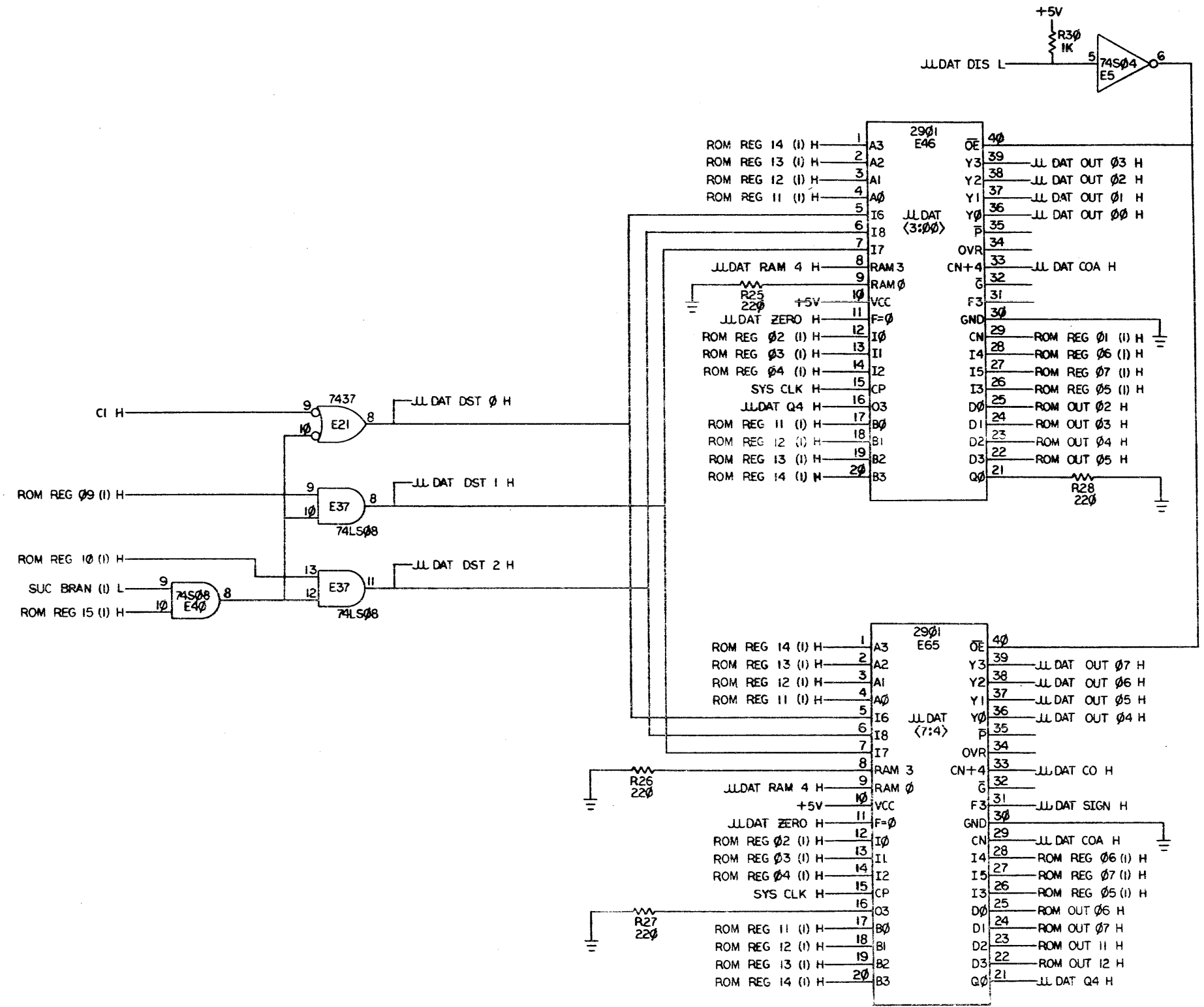
REVISIONS		
CHK	CHANGE NO.	REV.

"THIS DRAWING AND SPECIFICATIONS, HEREIN, ARE THE PROPERTY OF DIGITAL EQUIPMENT CORPORATION AND SHALL NOT BE REPRODUCED OR COPIED OR USED IN WHOLE OR IN PART AS THE BASIS FOR THE MANUFACTURE OR SALE OF ITEMS WITHOUT WRITTEN PERMISSION. COPYRIGHT © 1977 DIGITAL EQUIPMENT CORPORATION"



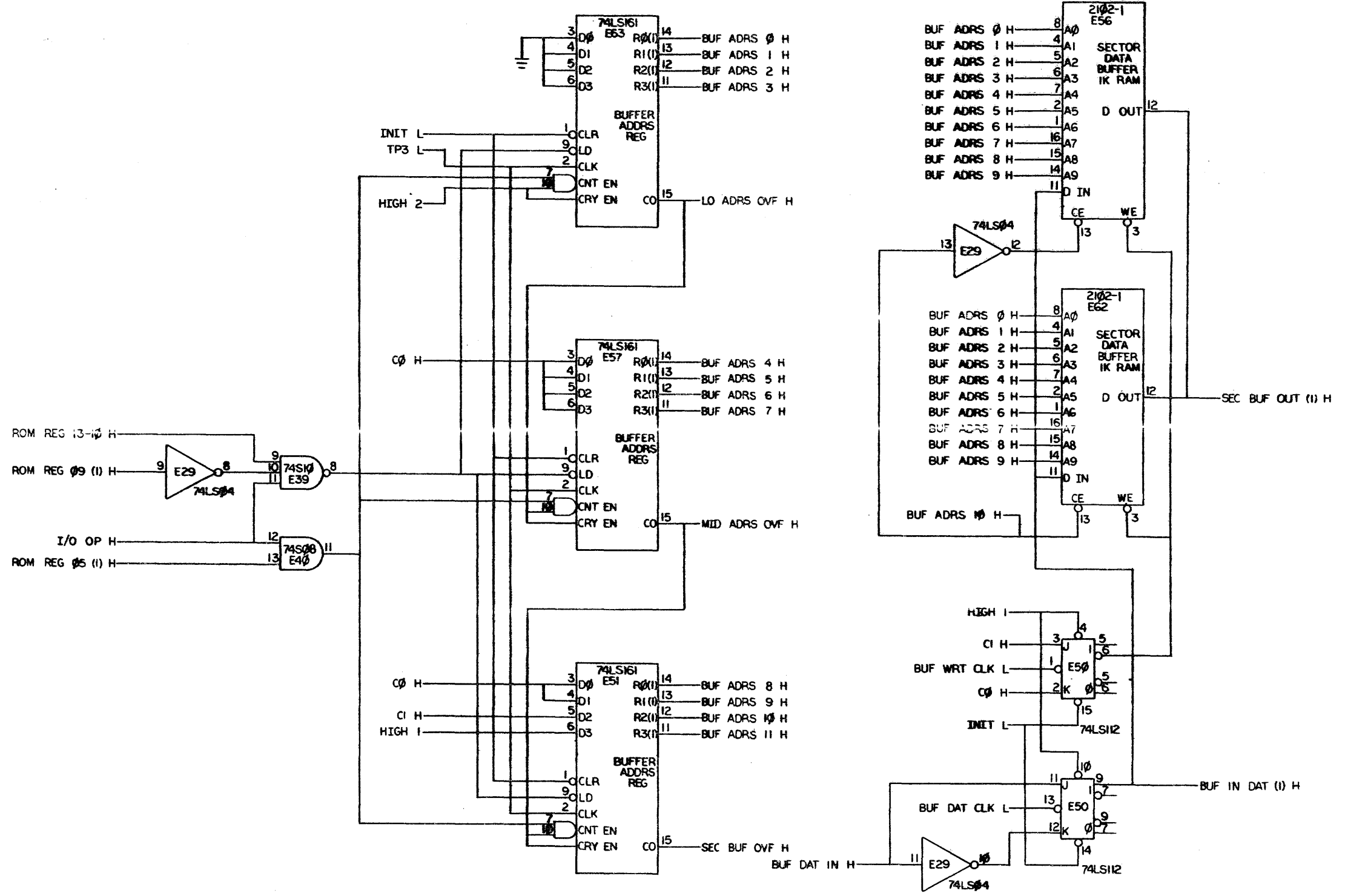
REVISIONS		
CHK	CHANGE NO.	REV.

"THIS DRAWING AND SPECIFICATIONS, HEREIN, ARE THE PROPERTY OF DIGITAL EQUIPMENT CORPORATION AND SHALL NOT BE REPRODUCED OR COPIED OR USED IN WHOLE OR IN PART AS THE BASIS FOR THE MANUFACTURE OR SALE OF ITEMS WITHOUT WRITTEN PERMISSION. COPYRIGHT ©1977 DIGITAL EQUIPMENT CORPORATION"



REVISIONS		
CHK	CHANGE NO.	REV.

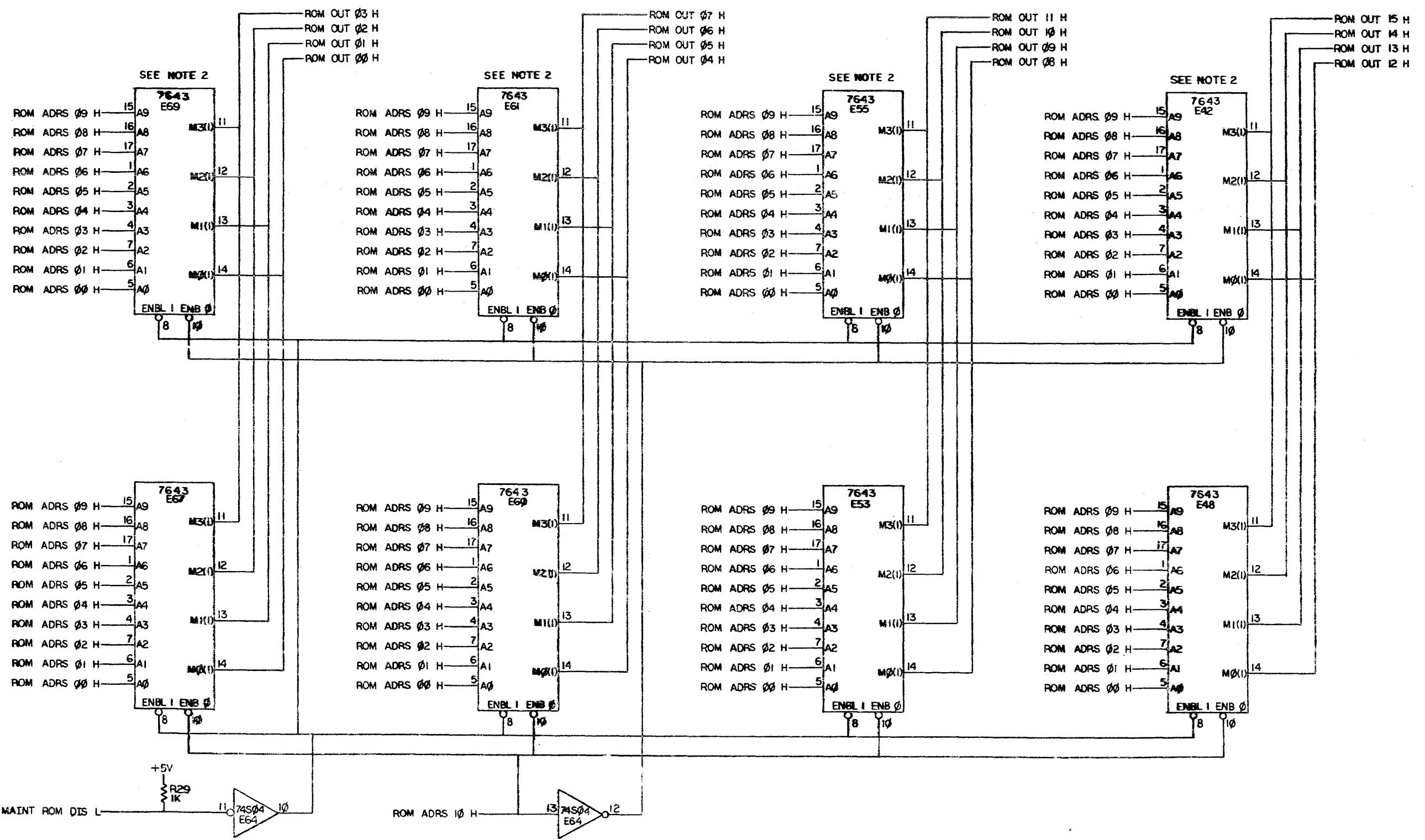
THIS DRAWING AND SPECIFICATIONS ARE THE PROPERTY OF BENTON BENTON CORPORATION AND SHALL NOT BE REPRODUCED OR TRANSMITTED IN ANY FORM OR BY ANY MEANS, ELECTRONIC OR MECHANICAL, INCLUDING PHOTOCOPYING, RECORDING, OR BY ANY INFORMATION STORAGE AND RETRIEVAL SYSTEM, WITHOUT THE WRITTEN PERMISSION OF BENTON BENTON CORPORATION.



REVISIONS		
CHK	CHANGE NO.	REV.

REV. 10  
DCS M7744-01

THIS DRAWING AND SPECIFICATIONS THEREON ARE THE PROPERTY OF DIGITAL EQUIPMENT CORPORATION AND SHALL NOT BE REPRODUCED OR COPIED OR USED IN WHOLE OR IN PART AS THE BASIS FOR THE MANUFACTURE OR SALE OF ITEMS WITHOUT WRITING PERMISSION. COPYRIGHT © 1977 DIGITAL EQUIPMENT CORPORATION



REVISIONS		
CHK	CHANGE NO.	REV.

DRAWING NO.	NO. OF SHTS.	PART NO.	DESCRIPTION	REVISIONS											
				A	B	C	D	E	F	H	J				
D-UA-M7745-0-0	1		RXØ2 R/W CONTROL BD.	A	B	C	D	E	F	H	J				
K-PL-M7745-0-DBP	-		PARTS LIST DATA BASE (M7745)	A	B	C	D	E	F	H	J				
D-CS-M7745-0-1	7		RXØ2 R/W CONTROL BD.	A	B	C	D	E	F	H	J				
D-MD-5012956-0-0	4		DRILL & ETCH DWG.	A	B	B	B	B	B	B	C				
B-DD-M7745-0	1		DRAWING DIRECTORY	*	A	B	C	D	E	F	H				
K-PC-M7745-0-DBG	-		F.C. DESIGN DATA BASE (M7745)	A	B	B	B	B	B	B	C				
		5012956	ETCHED CIRCUIT BOARD	B	C	C	C	C	C	C	F				
D-EC-5012956-0-0	2		ETCH CUT DRAWING	-	-	-	-	-	-	-	J				

**NOTES:**

REVISIONS		A	B	C	D	E	F	H
DATE	CHG NO.	REV.						
1-1-78	00001	A						
9-78	MLØØ2	B						
12-78	MLØØ3	C						
2-79	MLØØ4	D						
7-79	MLØØ5	E						
3-80	MLØØ6	F						
1-81	MLØØ7	H						

THIS DRAWING AND SPECIFICATIONS, HEREIN, ARE THE PROPERTY OF DIGITAL EQUIPMENT CORPORATION AND SHALL NOT BE REPRODUCED OR COPIED OR USED IN WHOLE OR IN PART AS THE BASIS FOR THE MANUFACTURE OR SALE OF ITEMS WITHOUT WRITTEN PERMISSION.  
 COPYRIGHT © 1978 DIGITAL EQUIPMENT CORPORATION

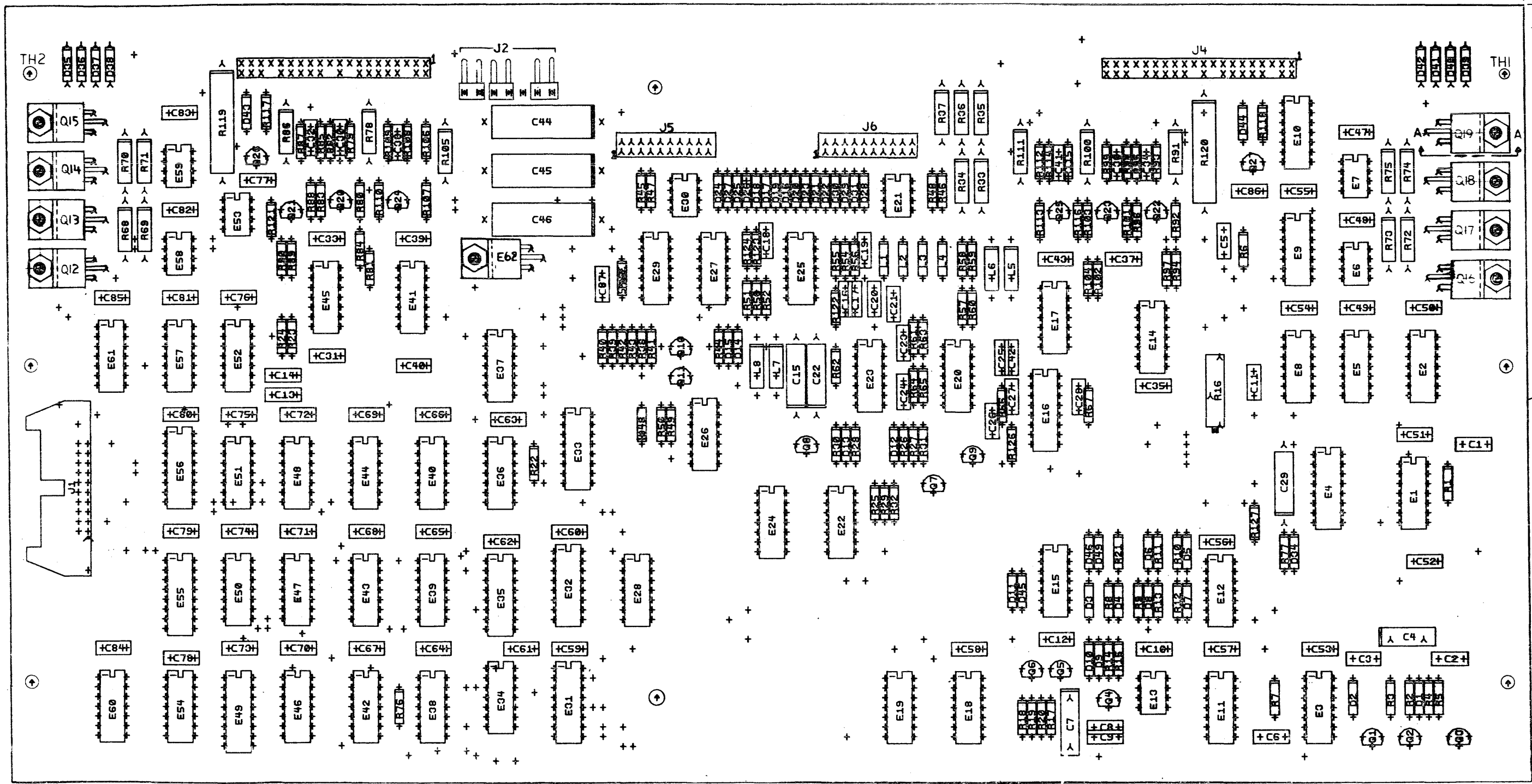


USED ON OPTION/MODEL	DRN. S. TREMBLAY 2-1/78	TITLE RXØ2 R/W CONTROL BD.
CHK'D R. Trumbly 2/1/78	ENG. [Signature] 10 APR 78	SIZE CODE B DD
PROD. H.R. [Signature] (10 APR 78)		NUMBER M7745-Ø
		REV. H
		SHEET 1 OF 1

THIS DRAWING AND SPECIFICATIONS, HEREIN, ARE THE PROPERTY OF GEORGE WASHINGTON UNIVERSITY AND WILL BE RETURNED TO GEORGE WASHINGTON UNIVERSITY IN FULL OR IN PART UPON REQUEST. © 1989



15.69 REF



7.95 REF

NOTES:

STEP E	+ Y AXIS	STEP	TIMES
REPEAT	- X AXIS	STEP	TIMES

CHANGE NO	REV
REDRAWN	J
M7745-	
ML007	

ETCH REV. F-P2
----------------

SIGNATURES		DATE	digital
DRN.		4-29-20	
CHK'D		5/28/21	
MECH. ENG.		5/28/21	
PROJ. ENG.		5/28/21	
TITLE			RX02 R/W CONTROL
SCALE	2/1	SIZE CODE	
SHT. OF		NUMBER	0 UA M7745-0-0
NEXT HIGHER REV. B-DD-M7745-0			REV J



LINE ITEM	DOCUMENT NUMBER	PART NUMBER	DESCRIPTION	QTY PER VARIATION	REFERENCE DESIGNATOR
				00	
1	5	D-MD-5012956-0-0	5012956-00	RX02	1
2	6		1005820-00	22.0 MMF 100V 5X200PPM MICA	2
3	7		1000016-00	100.0 MMF 100V 5X200PPM MICA	1
4	8		1000020-00	180.0 MMF 100V 5X200PPM MICA	8
5	9		1001383-00	4700.0 MMF 100V 3X200PPM MICA	1
6	10		1000042-00	1000.0 MMF 100V 5X200PPM MICA	1
7	11		1000026-00	680.0 MMF 100V 5X200PPM MICA	1
8	12		1012084-01	8 MFD 25V +75-10% AL EL	1
9	13		1009433-00	190 MFD 12V +75-10% AL EL	2
10	14		1000080-00	50 MFD 50V +75-10% AL EL	1
11	15		1001610-00	.01 MFD 50V +80-20% 25U CER	52
					CONT C2,C25,C26,C31,C33,C35,C37,C40,C42,C43,C47-C87,C39
12	16		1010978-32	.047 MFD 50V 10% CER	4
13	17		1001765-00	.005 MFD 100V 20% Z5T DISC	6
14	18		1000050-00	.033 MFD 100V 10% MYLR	2
15	19		1010274-02	1 MFD 50V +80-20% CER	1
16	21		1000015-00	82.0 MMF 100V 5X200PPM MICA	1
17	22		1103309-60	D 671 TR= 3NS PIV= 50V SM	8
18	23		1105275-00	D 672 TR= 15NS PIV= 60V SI	24
					CONT D16,D19,D20,D23,D24,D27,D28,D31
					CONT D1-D8,D10,D14,D15,D17,D18,D22,D26,D29,D30,D34,D45,D46,D25,D21,D48,D49
19	24		1105796-00	1N 40C4 PIV=400 I= 1A D041 SP	10
20	25		1110713-00	SZ710910 VZ= 5.1 2X M	3
21	26		1101938-00	1N 4370A VZ= 2.4 5X .40W	1
22	27		1610033-00	DELAY= 10-100NS,10TAPS	1
23	28		1602723-00	1000 UH 10% 125MA	4
24	29		1612946-02	22 UH 10%	2
25	30		1610661-00	56 UH 10% #DD56	2
26	31		1510705-00	XA 05 NPN 500MW SI 60 50 P	8
27	32		1510706-00	XA 55 PNP 500MW SI 60 50 P	5
					CONT D35-D44
					CONT D9,D12,D13
					CONT D11
					CONT E33
					CONT L5-L8
					CONT L1,L2
					CONT L3,L4
					CONT Q20-Q27
					CONT Q7-Q11

REVISION HISTORY			BASIC PART NO: M7745	DRN: P.KENDRICK	DATE: 06-JAN-78	DIGITAL			
ENG	ECO NUMBER	REV	SECTION A OF A	CHK'D: A.ANDERSON	DATE: 06-JAN-78	PARTS LIST			
---	INIT	A	SECTION VARIATION INDEX			RX02 R/W CONTROL			
IBM	100001	B	[A] 00						
IER	IML002	C	[B]						
IC.YIN	M7745-ML003	D	[C]	DES.ENG: A.ANDERSON	DATE: 05-APR-78				
IC.YIN	M7745-ML004	E	[D]						
IJB	M7745-ML005	F	[E]						
IAA	M7745-ML006	H	[F]	RESP.ENG.: J.GLAVIN	DATE: 05-APR-78	DOCUMENT NUMBER			
ID.PI	M7745-ML007	J	[H]			SIZE	CODE	NUMBER	REV
			[J]						
			[K]	MFG.ENG.: J.MONCHELLI	DATE: 05-APR-78	K	PL	M7745-0-DBP	J
			[L]						
			[M]						
			[N]	ASSEMBLY NUMBER: ID-UA-M7745-0-0	TOF DOCUMENT NUMBER: #B-DD-M7745-0	FILE NAME: Z0192J.PLS		EDIT # 56	

\*THIS DRAWING AND SPECIFICATIONS HEREIN, ARE THE PROPERTY OF DIGITAL EQUIPMENT CORPORATION AND SHALL NOT BE REPRODUCED OR COPIED OR USED IN WHOLE OR IN PART AS THE BASIS FOR THE MANUFACTURE OR SALE OF ITEMS WITHOUT WRITTEN PERMISSION. COPYRIGHT (C) 1981. DIGITAL EQUIPMENT CORPORATION \*

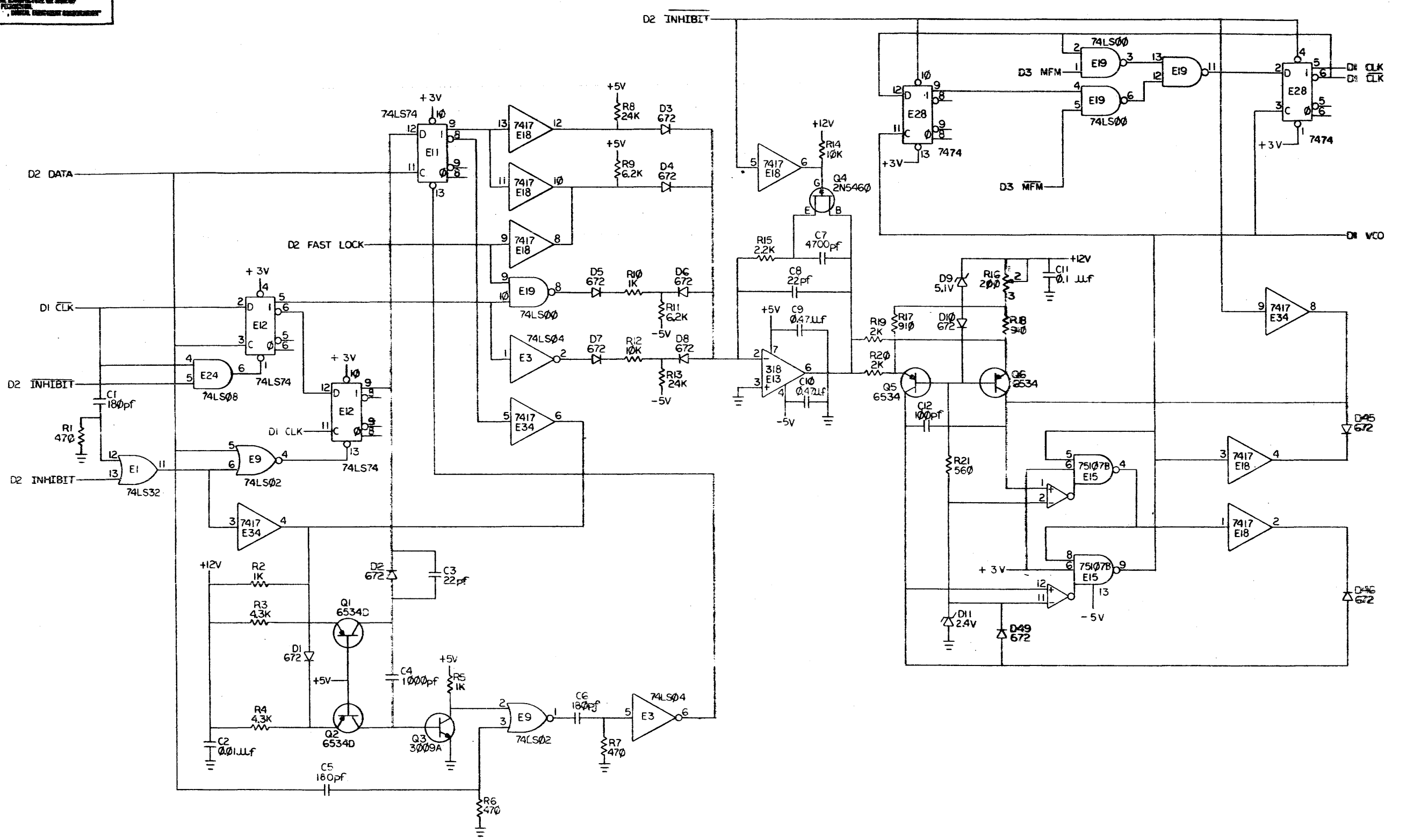
LINE	ITEM	DOCUMENT NUMBER	PART NUMBER	DESCRIPTION	QTY PER VARIATION 00	REFERENCE DESIGNATOR
28	33		1503409-00	DEC6534D PNP 310MW SI 40 90	4	Q1,Q2,Q5,Q6
29	34		1501999-00	DEC3009A NPN 300MW SI 20 25 M	1	Q3
30	35		1510233-00	2N 5460 FET 310MW SIP CHNNL	1	Q4
31	36		1510421-00	D 44C8 NPN 30WT SI 60 20	8	Q12-Q19
32	37		1912799-00	LS00 NAND-GATE-QUAD 2IN,P	2	E19,E39
33	38		1912801-00	LS02 NOR-GATE-QUAD 2IN	2	E9,E60
34	39		1912803-00	6S04 INVERTER GATE,HEL	3	E3,E26,E52
35	40		1910741-00	7406 INVERTER GATE-HEX 1I	1	E22
36	41		1912805-00	LS08 AND GATE-QUAD 2IN,PO	7	E5,E10,E24,E29,E38,E46,E57
37	42		1909929-00	7417 BUFFER GATE-HEX 1INP	2	E18,E34
38	43		1912815-00	LS32 OR GATE-QUAD 2IN,POS	4	E1,E36,E47,E54
39	44		1905580-00	DEC 7450 A-0-I XPNDLE GATE-D	1	E8
40	45		1912823-00	LS73 FF-JK DUAL W/CLEAR	2	E2,E61
41	46		1912824-00	LS74 FF-D DUAL,EDGE TRIGG	8	E11,E12,E40,E42-E44,E48,E50
42	47		1912837-00	LS123 ONE SHOT-DUAL,RETRIG	1	E16
43	48		1912697-00	LS174 FF-D HEX W/CLEAR	1	E55
44	49		1912854-00	LS193 COUNTER,SYNCHR,4BIT,	4	E31,E32,E35,E49
45	50		1910268-00	DEC 75107B RECEIVER,LINE,DUAL,	1	E15
46	51		1910406-00	75451 DRIVER,PERIPH,DUAL,	5	E6,E7,E53,E58,E59
47	52		1910645-00	75452 DRIVER,PERIPH,DUAL,	2	E21,E30
48	53		1910735-02	318 OP AMP	1	E13
49	54		1910337-00	DEC 1414L VGLT.COMPARATOR,DUAL	5	E14,E17,E20,E41,E45
50	55		1910644-00	733 DIFFERENTIAL AMP,WID	2	E23,E25
51	56		2113632-00	4066B BILATERAL SWITCH-QUA	1	E27
52	57		1912845-00	LS153 MUX 1 OF 4 (DUAL)	1	E56
53	58		1912048-02	DEC 7812 VOLT REG,FIX +12V	1	E62
54	59		1309405-00	68.0 .50 W 5.0 % CC	6	R78,R86,R91,R100,R105,R111
55	60		1304837-00	24.0 K .25 W 5.0 % CC	4	R49,R52,R8,R13
56	61		1301425-00	300.0 .25 W 5.0 % CC	1	R76
57	62		1312931-00	6.20 K .25 W 5.0 % CC	2	R9,R11
58	63		1300271-00	220.0 .25 W 5.0 % CC	1	R22
59	65		1313590-00	1.50 K .25 W 1.0 % RN55D-F10	2	R57,R60
60	66		1302874-00	147.0 .25 W 1.0 % RN55D-F10	4	R54,R56,R58,R59
61	67		1302377-00	39.0 .25 W 5.0 % CC	1	R55
62	68		1301890-00	560.0 .25 W 5.0 % CC	1	R21
63	69		1300316-00	470.0 .25 W 5.0 % CC	5	R1,R6,R7,R23,R24
64	70		1300365-00	1.0 K .25 W 5.0 % CC	11	R2,R5,R10,R42,R43,R61,R63,R117, CONT R118,R31,R127
65	71		1302871-00	1.21 K .25 W 1.0 % RN55D-F10	5	R106,R110,R112,R116,R27
66	72		1300391-00	1.50 K .25 W 5.0 % CC	9	R38,R41,R83,R88,R96,R101,R109, CONT R115,R62
67	73		1302388-00	2.0 K .25 W 5.0 % CC	3	R19,R20,R50
68	74		1304868-00	2.74 K .25 W 1.0 % RN55D-F10	1	R30
69	75		1302389-00	4.30 K .25 W 5.0 % CC	2	R3,R4
70	76		1304856-00	4.64 K .25 W 1.0 % RN55D-F10	6	R80,R92,R103,R107,R113,R121
71	78		1300479-00	10.0 K .25 W 5.0 % CC	12	R12,R14,R26,R28,R45-R48,R79,R87, CONT R93,R99
72	79		1302941-00	14.70 K .25 W 1.0 % RN55D-F10	8	R81,R84,R89,R90,R94,R97,R102,

D	I	B	I	T	A	L	TITLE	SECTION A OF A	SIZE	CODE	DOCUMENT NUMBER	REV
							RX02 R/W CONTROL					
									K	PL	M7745-0-DBP	J

LINE ITEM	DOCUMENT NUMBER	PART NUMBER	DESCRIPTION	QTY PER VARIATION 00	REFERENCE DESIGNATOR
73	80	1302391-00	20.0 K .25 W 5.0 % CC	1	CONT R104
74	82	1309094-00	100.0 5.0 W 5.0 % WW	2	R77
75	84	1313476-00	51.10 K .25 W 1.0 % RN55D-F10	2	R119,R120
76	85	1311522-00	200.0 .25 W 5.0 % CC	2	R51,R53
77	86	1312930-00	5.10 K .25 W 5.0 % CC	2	R64,R65
78	87	1301320-00	1.20 K .25 W 5.0 % CC	4	R66,R67
79	80	1314847-00	62.0 .50 W 5.0 % CC	13	R82,R85,R95,R98
80	89	1300496-00	15.0 K .25 W 5.0 % CC	1	R33-R37,R68-R75
81	90	1212204-00	HEADER.156 2POS RT ANGLE	1	R122
82	91	1209941-06	HEADER.100 20POS RT ANGLE	1	J2
83	92	1213488-02	CONN 20POS HOUSING,STRAIGH	2	J1
84	93	1214993-01	HEADER 40POS RT ANGLE MODIFI	2	J5,J6
85	94	9006010-01	SCREW,PAN,PHIL 4-40X 5/16 SS	9	J3,J4
86	95	9006557-00	NUT,KEP , 4-40X 1/4 AF	9	
87	96	9009769-00	WASHER, RECTANCULAR .405X.225X.0	9	
88	97	9105740-55	*** THIS ITEM IS NOT USED ***	-	
89	98	1300417-00	2.20 K .25 W 5.0 % CC	1	R15
90	99	1300439-00	3.30 K .25 W 5.0 % CC	8	CONT R25,R29,R32,R39,R40,R44,R123, R124
91	104	1305374-00	910.0 .25 W 5.0 % CC	2	R17,R18
92	105	1309143-05	200.0 .75 W10.0 % POT	1	R16
93	106	1303312-00	10.0 K .25 W 1.0 % RN55D-F10	2	R108,R114
94	107	1905547-00	7474 FF-D DUAL,EDGE TRIGG	1	E28
95	108	1905575-00	7400 MAND GATE-QUAD 2IN	1	E37
96	109	1910155-00	DEC 7408 AND GATE,POS.QUAD 2I	1	E51
97	110	1910436-00	DEC 74123 ONE SHOT-DUAL,RETRIG	1	E4
98	111	1303177-00	2.40 K .25 W 5.0 % CC	1	R126
99	112	1012312-01	.47 MFD 50V +80-20% CER	2	C9,C10
100	113	1010978-36	.1 MFD 50V 10% CER	1	C11
101	114	1210244-00	*** THIS ITEM IS NOT USED ***	-	
102	115	9107301-11	*** THIS ITEM IS NOT USED ***	-	
103	116	D-CS-M7745-0-1	CIRCUIT SCHEMATIC	REF	
104	117	D-UA-M7745-0-0	UNIT ASSEMBLY	REF	
105	118	B-DD-M7745-0-0	DRAWING DIRECTORY	REF	
106	119	D-EC-5012956-0-0	ETCH CUT DRAWING	REF	

D	I	G	I	T	A	I	L	TITLE	SECTION A OF A	SIZE/CODE	DOCUMENT NUMBER	REV
								RX02 R/W CONTROL		K PL	M7745-0-DBP	J

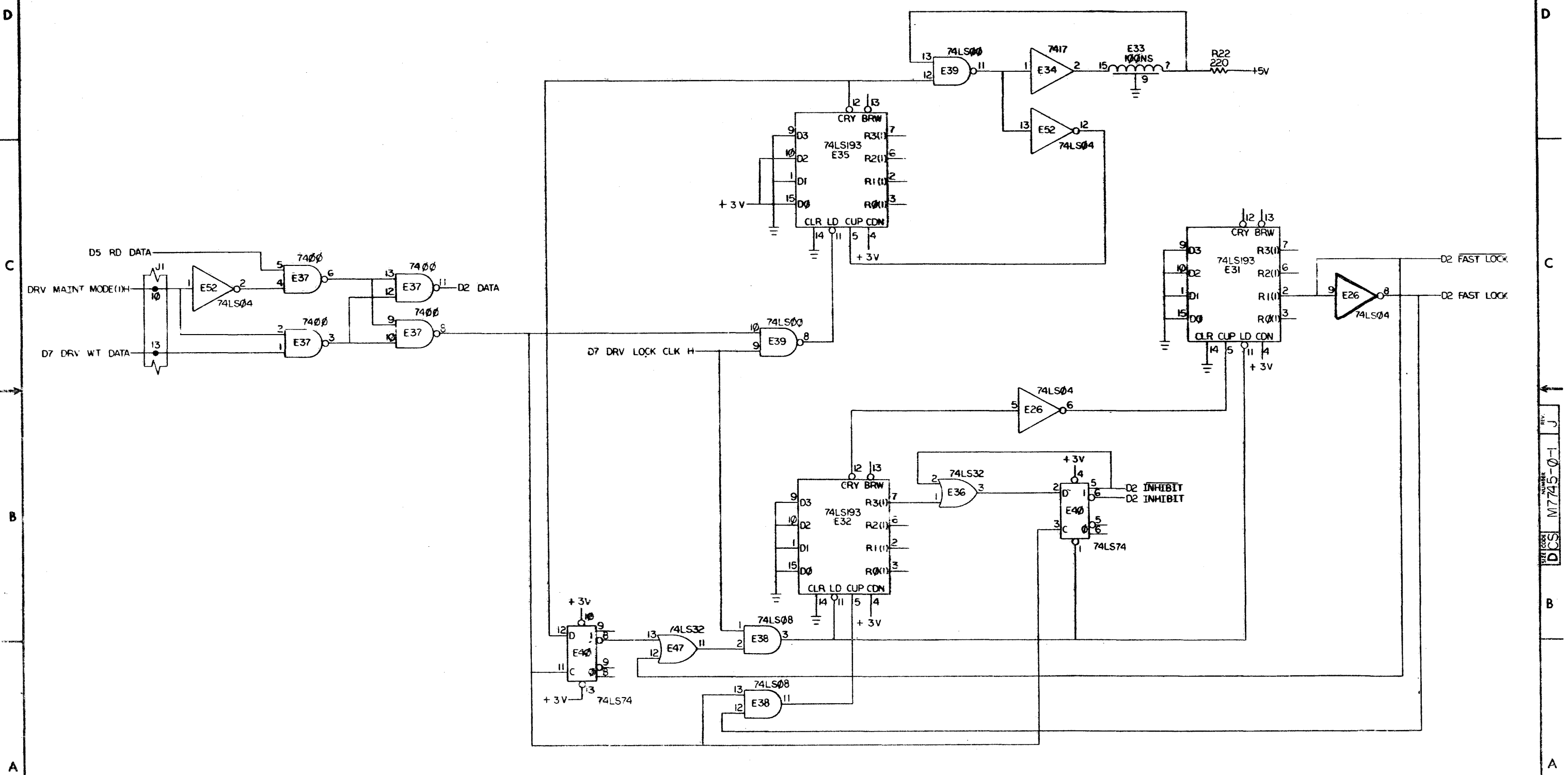
THIS DRAWING AND PERTAINING THEREON ARE THE PROPERTY OF DIGITAL EQUIPMENT CORPORATION. IT IS TO BE REPRODUCED OR COPIED IN WHOLE OR IN PART AS THE BASIS FOR THE CONSTRUCTION OR REPAIR OF EQUIPMENT WITHOUT WRITTEN PERMISSION. COPYRIGHT © 1977, DIGITAL EQUIPMENT CORPORATION



REV.	CHG.	NO.	DATE	BY	CHK'D	REVISED
A	00001			A. ANDERSON		
B				A. ANDERSON		
C				A. ANDERSON		
D				A. ANDERSON		
E				A. ANDERSON		
F				A. ANDERSON		
G				A. ANDERSON		
H				A. ANDERSON		
I				A. ANDERSON		
J				A. ANDERSON		

DRN. <i>DRN. 10/1/78</i>	FIRST USER ON	<b>RX02</b>
CHK'D <i>1/1/78</i>	TITLE	<b>READ/WRITE CONTROL (DI)</b>
ENG. <i>A. Anderson</i>	SCALE	<b>D CS</b>
PROL. ENG. <i>1/1/78</i>	NUMBER	<b>M7745-0-1</b>
PROD. <i>1/1/78</i>	SHEET	<b>1 OF 7</b>
NEXT HIGHER ASSY.	DIST.	

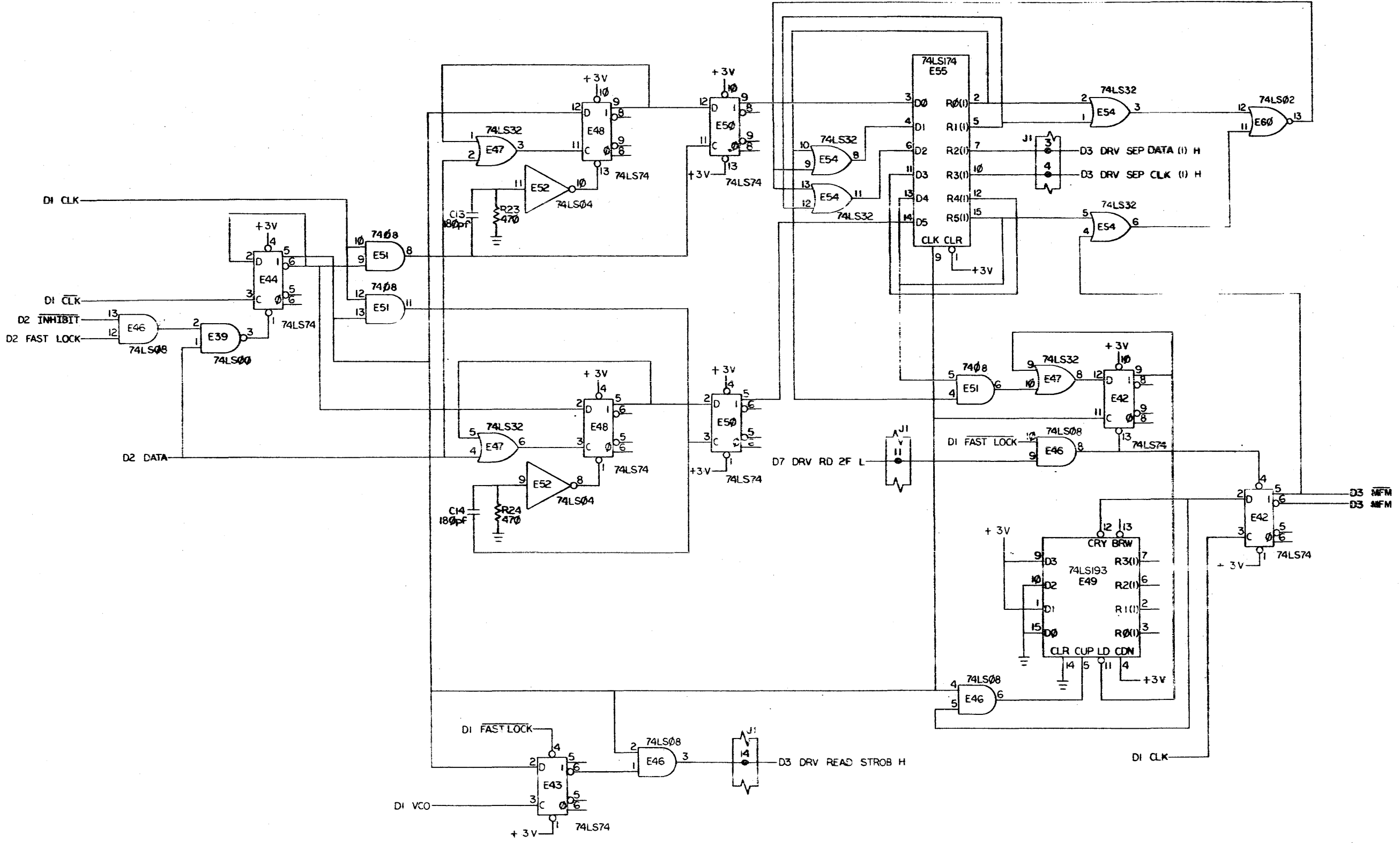
THIS DRAWING AND INFORMATION HEREIN ARE THE PROPERTY OF BUSHNELL CORPORATION AND SHALL NOT BE REPRODUCED OR COPIED OR USED IN WHOLE OR IN PART AS THE BASIS FOR THE MANUFACTURE OR SALE OF ANY MACHINE WITHOUT WRITTEN PERMISSION. COPYRIGHT © 1977 BUSHNELL CORPORATION



REVISIONS		
CHK	CHANGE NO	REV

TITLE	(D2)	SIZE CODE	NUMBER	REV.
READ/WRITE CONTROL	D2	DCS	M7745-0-1	J
SCALE	SHEET 2 OF 7	DIST.		

THIS DRAWING AND SPECIFICATIONS HEREIN ARE THE PROPERTY OF DIGITAL EQUIPMENT CORPORATION AND SHALL NOT BE REPRODUCED OR COPIED OR USED IN WHOLE OR IN PART AS THE BASIS FOR THE MANUFACTURE OR SALE OF ITEMS WITHOUT WRITTEN PERMISSION. COPYRIGHT © 1977 DIGITAL EQUIPMENT CORPORATION

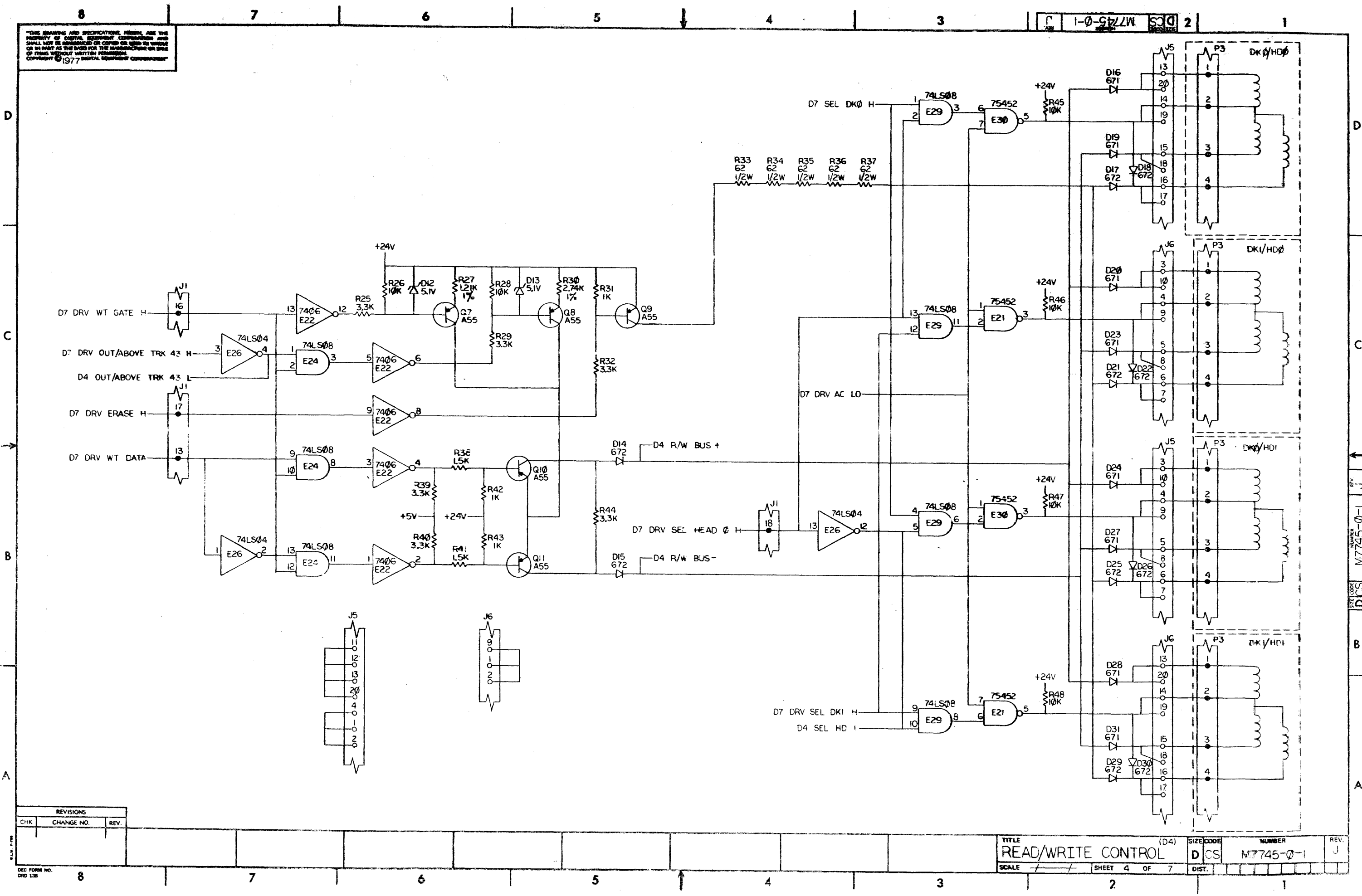


REVISIONS		
CHK	CHANGE NO.	REV.

REV. J  
NUMBER M7745-0-1  
D CS

THIS DRAWING AND SPECIFICATIONS HEREIN ARE THE PROPERTY OF DIGITAL EQUIPMENT CORPORATION AND SHALL NOT BE REPRODUCED OR COPIED OR USED IN WHOLE OR IN PART AS THE BASIS FOR THE MANUFACTURE OR SALE OF ITEMS WITHOUT WRITTEN PERMISSION. COPYRIGHT © 1977

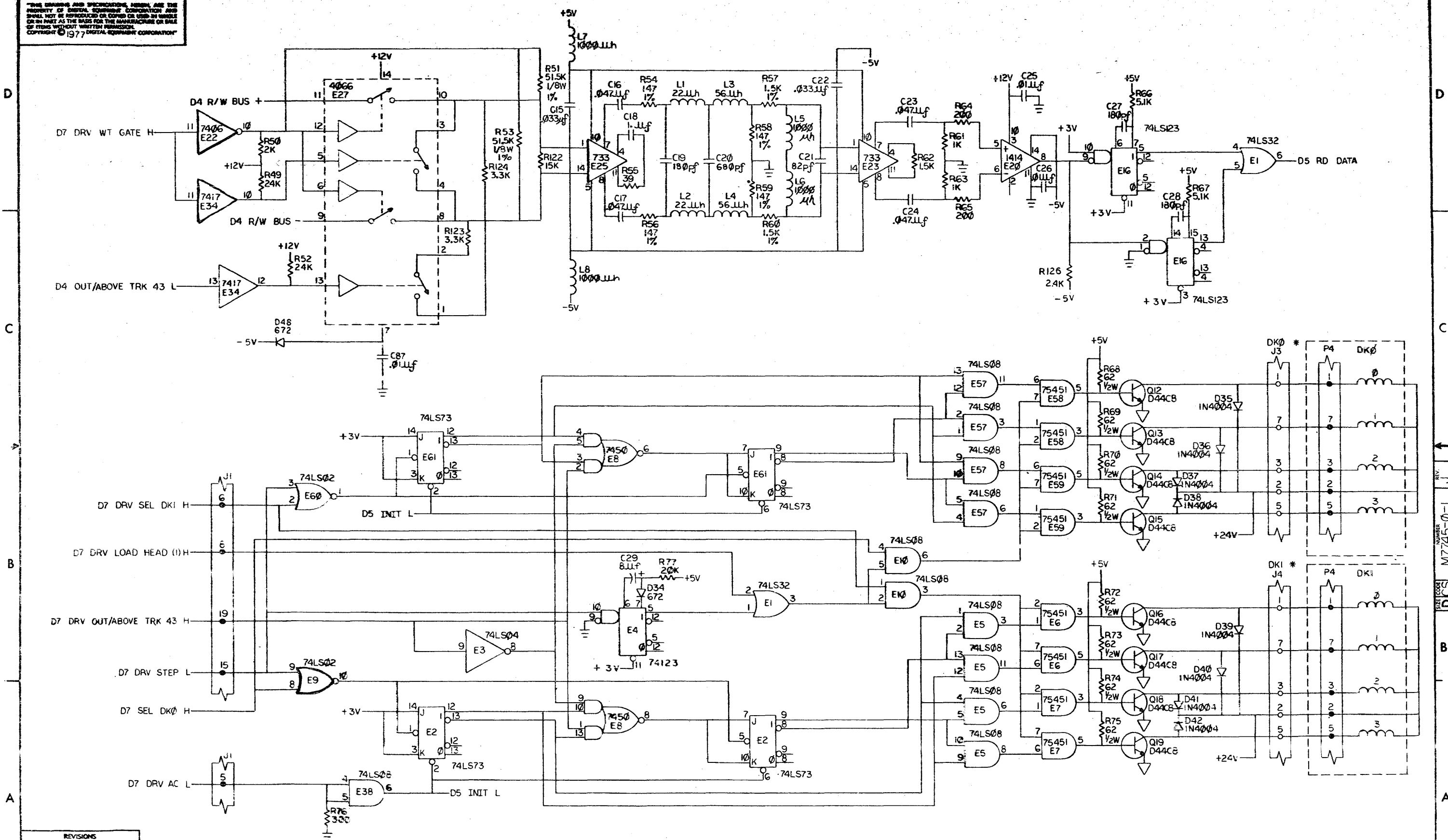
1-0-9722W SCS 2



REVISIONS		
CHK	CHANGE NO.	REV.

REV. J M7745-0-1 DCS

"THIS DRAWING AND SPECIFICATIONS, HEREIN AND THE PROPERTY OF DIGITAL EQUIPMENT CORPORATION AND SHALL NOT BE REPRODUCED OR COPIED OR USED IN WHOLE OR IN PART AS THE BASIS FOR THE MANUFACTURE OR SALE OF ITEMS WITHOUT WRITTEN PERMISSION. COPYRIGHT © 1977 DIGITAL EQUIPMENT CORPORATION"



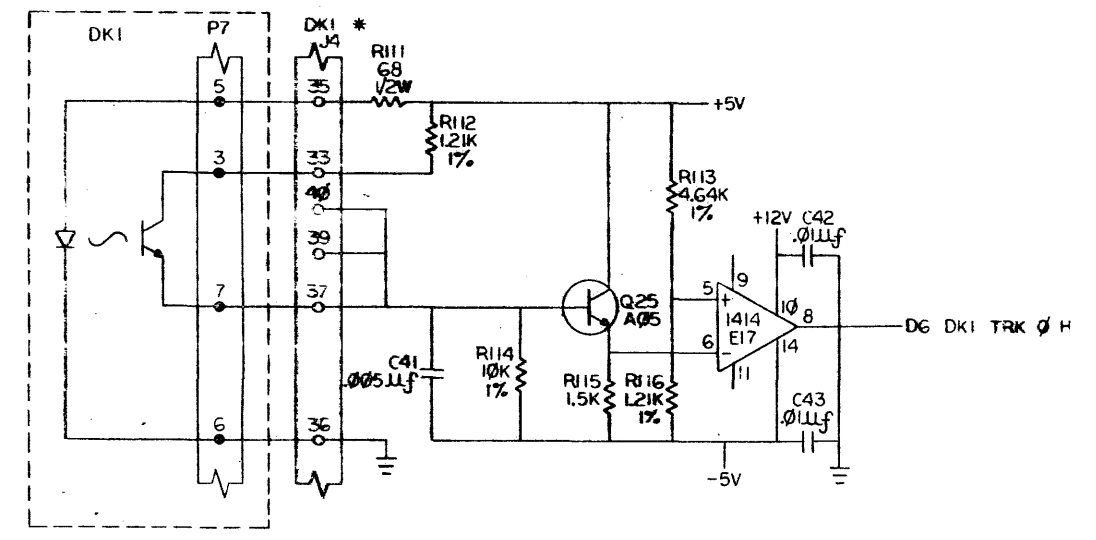
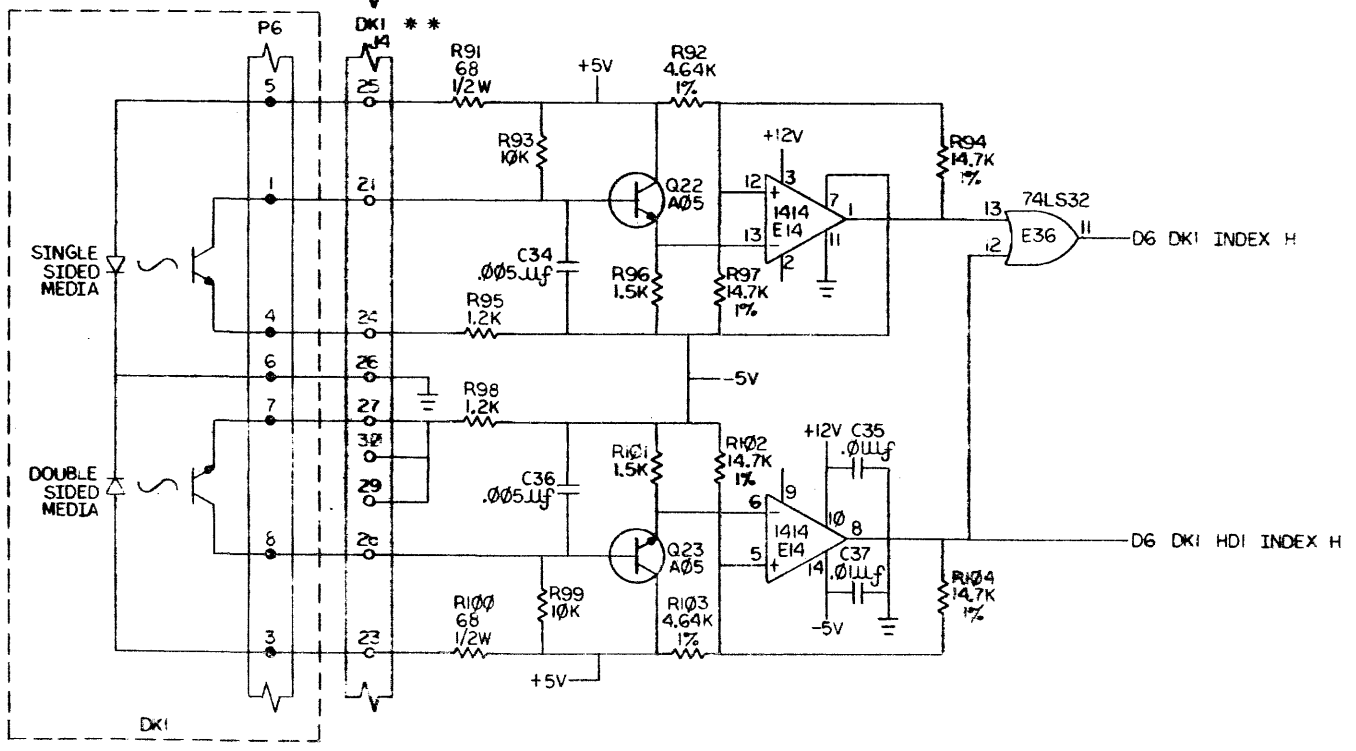
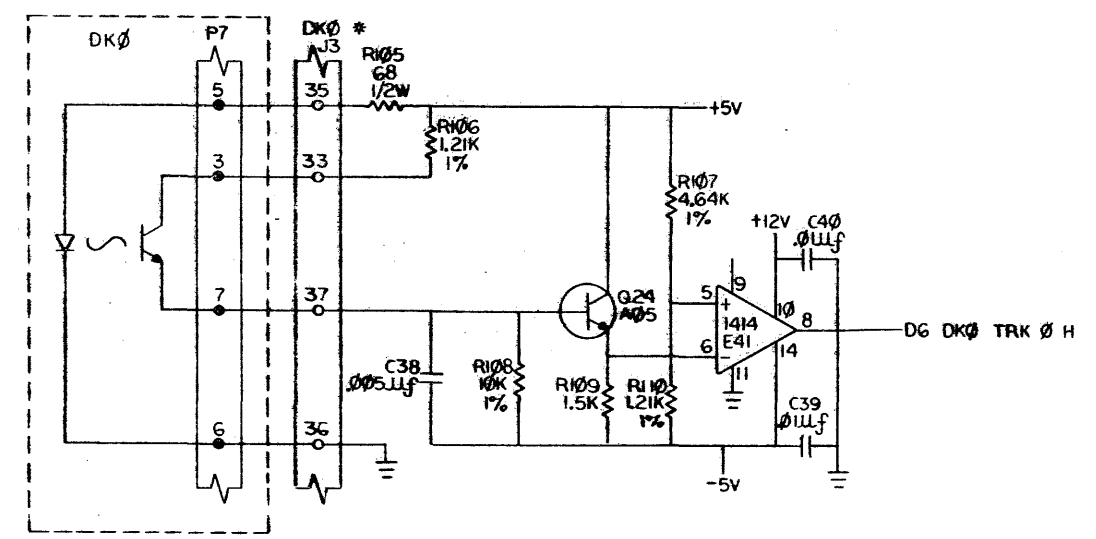
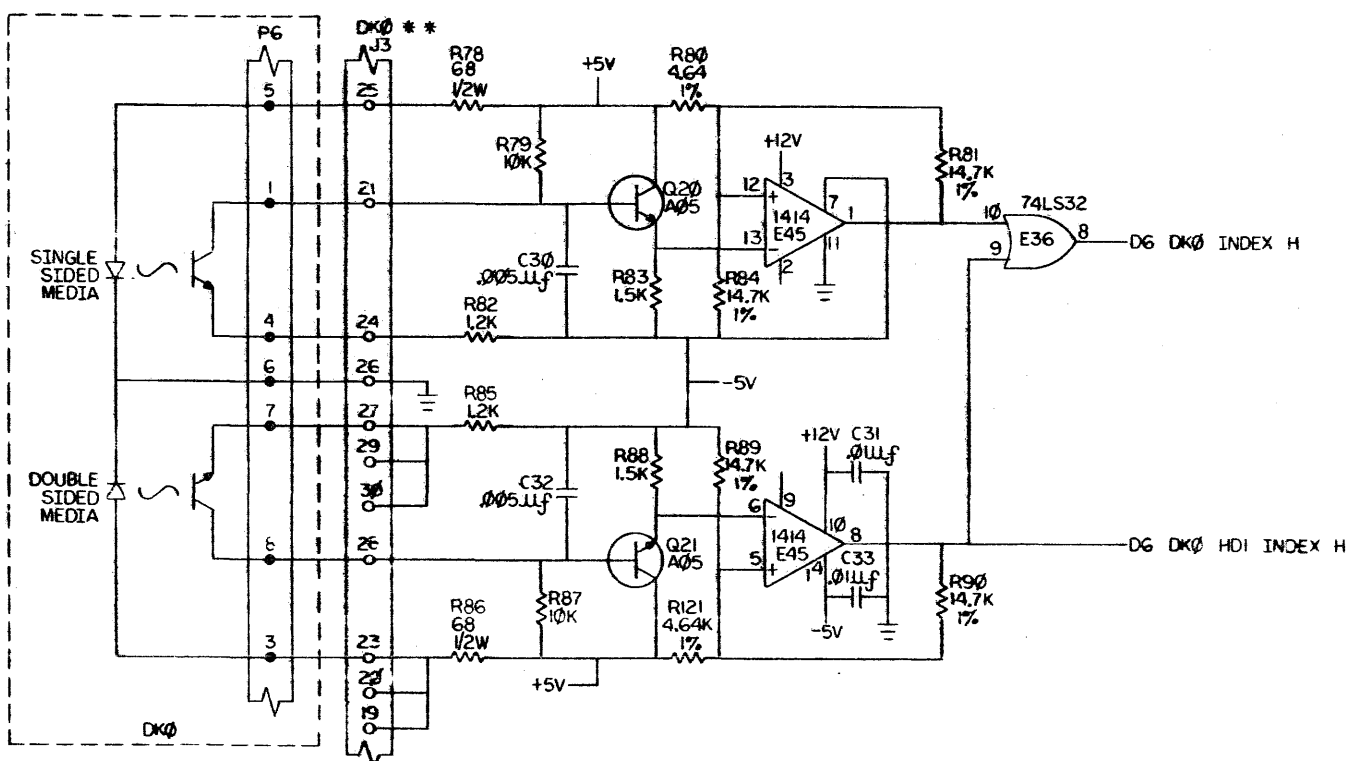
REVISIONS		
CHK	CHANGE NO	REV

TITLE	READ/WRITE CONTROL (CS)	SIZE CODE	D CS	NUMBER	M7745-0-1	REV.	J
SCALE	1/1	SHEET	5 OF 7	DIST.			



THIS DRAWING AND SPECIFICATIONS HEREIN ARE THE PROPERTY OF DIGITAL EQUIPMENT CORPORATION AND SHALL NOT BE REPRODUCED OR COPIED OR USED IN WHOLE OR IN PART AS THE BASIS FOR THE MANUFACTURE OR SALE OF ITEMS WITHOUT WRITTEN PERMISSION.  
 COPYRIGHT © 1977 DIGITAL EQUIPMENT CORPORATION

1-0-07111 510 2

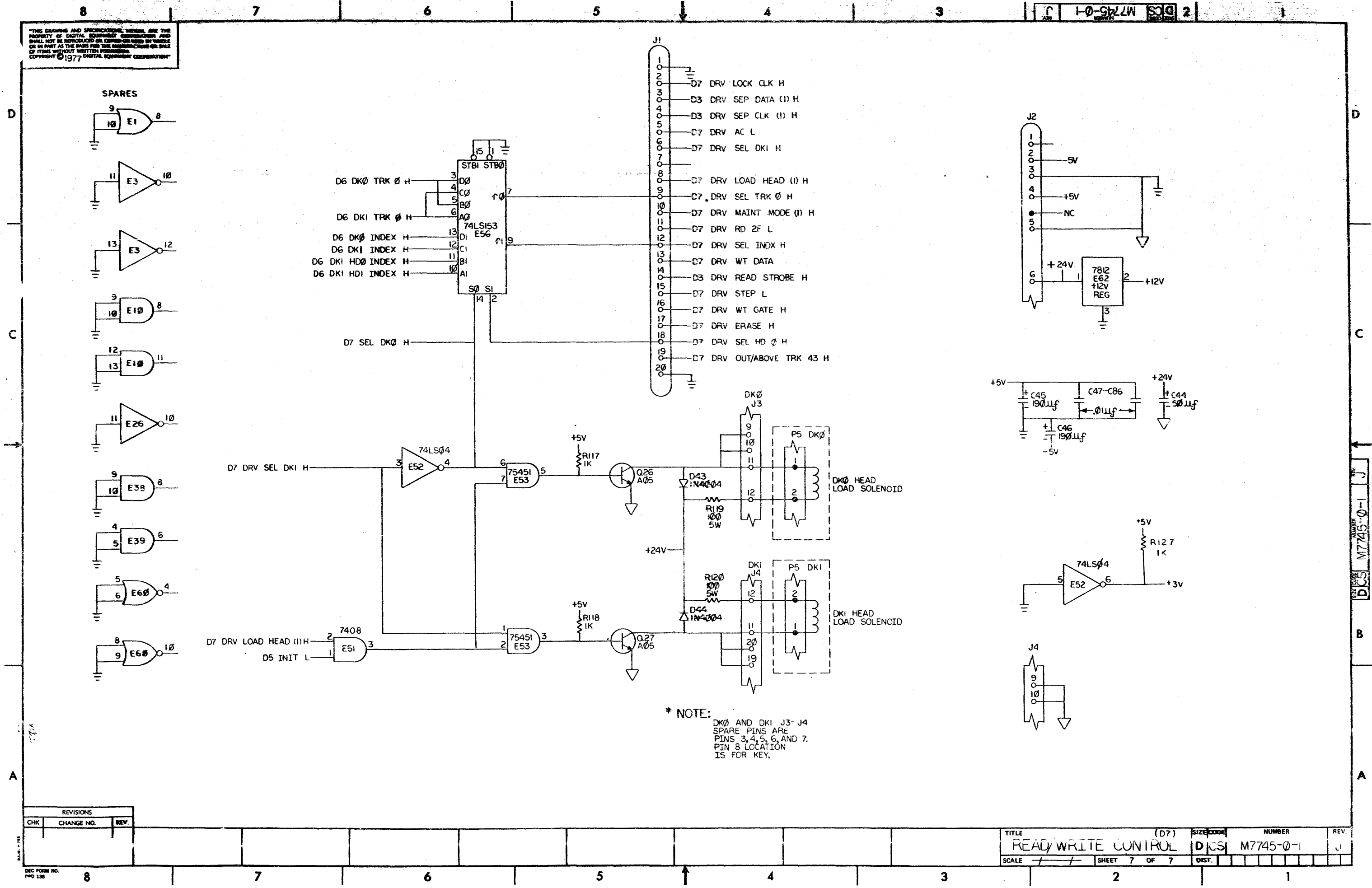


NOTE:  
 \* P7-PIN 4 LOCATION IS USED FOR KEY  
 \*\* PG-PIN 2 LOCATION IS USED FOR KEY

REVISIONS		
CHK	CHANGE NO.	REV.

TITLE	(D6)	SIZE CODE	NUMBER	REV.
READ/WRITE CONTROL		D CS	M7745-0-1	J
SCALE		SHEET	6 OF 7	DIST.

"THIS DRAWING AND SPECIFICATIONS HEREIN ARE THE PROPERTY OF DIGITAL EQUIPMENT CORPORATION AND SHALL NOT BE REPRODUCED OR COPIED OR USED IN WHOLE OR IN PART AS THE BASIS FOR THE MANUFACTURE OR SALE OF ITEMS WITHOUT WRITTEN PERMISSION. COPYRIGHT © 1977 DIGITAL EQUIPMENT CORPORATION"



REVISIONS		
CHK	CHANGE NO.	REV.

## CUSTOMER PRINT SET INDEX

THIS IS PRINT SET

<p>SEQUENCE</p> <p>H771 POWER SUPPLY</p> <p>H771-A CIRCUIT SCHEMATIC</p> <p>H771-C CIRCUIT SCHEMATIC</p> <p>H771-D CIRCUIT SCHEMATIC</p> <p>RXØ1 POWER BOARD ASSY</p> <p>RXØ1 POWER SUPPLY BOARD</p>	<p>SEQUENCE</p> <p>B-DD-H771-Ø</p> <p>D-CS-H771-A-1</p> <p>D-CS-H771-C-1</p> <p>D-CS-H771-D-1</p> <p>D-AD-7010718-0-0</p> <p>D-CS-5411398-0-1</p>
--	---

UNIT VARIATIONS		PRINT SET		
VAR	TITLE	1		
H771-A	RXØ1 POWER SUPPLY, 115V, 6ØHZ	X		
H771-C	RXØ1 POWER SUPPLY, LOW VOLT, 5ØHZ	X		
H771-D	RXØ1 POWER SUPPLY, HIGH V, 5ØHZ	X		

REVISIONS	DATE	CHG. NO.	REV		USED ON OPTION/MODEL	DRN.	DATE		TITLE
	7-75	H771-1	A				W. McCarthy		
	10-75	H771-2	B		RXØ1	CHK'D.	DATE		
	11-75	H771-3	C			W.F.M. Co. Inc.	6/13/75		
	3-76	H771-4	D			PROJ ENG.	DATE		
	1-78	H771-5	E			R. L. Jones	6/13/75		
	7-73	H771-6	F			PROD.	DATE		
	11-79	H771-ML1	H			J. Miller	6/13/75		
	10-81	H771-MLB	J			FIELD SERV.	DATE		

DEC 16 (1325)-1062-1A (4/972)

1

H771 POWER SUPPLY  
UNIT ASSY  
E-UA-H771-Ø-Ø  
K-PL-H771-Ø-DBP

2

RXØ1 POWER BOARD  
ASSY  
D-AD-7010718-0-0

TITLE	SHEET	SIZE	CODE	NUMBER	REV
H771 POWER SUPPLY	2 OF 3	B	DD	H771-Ø	J

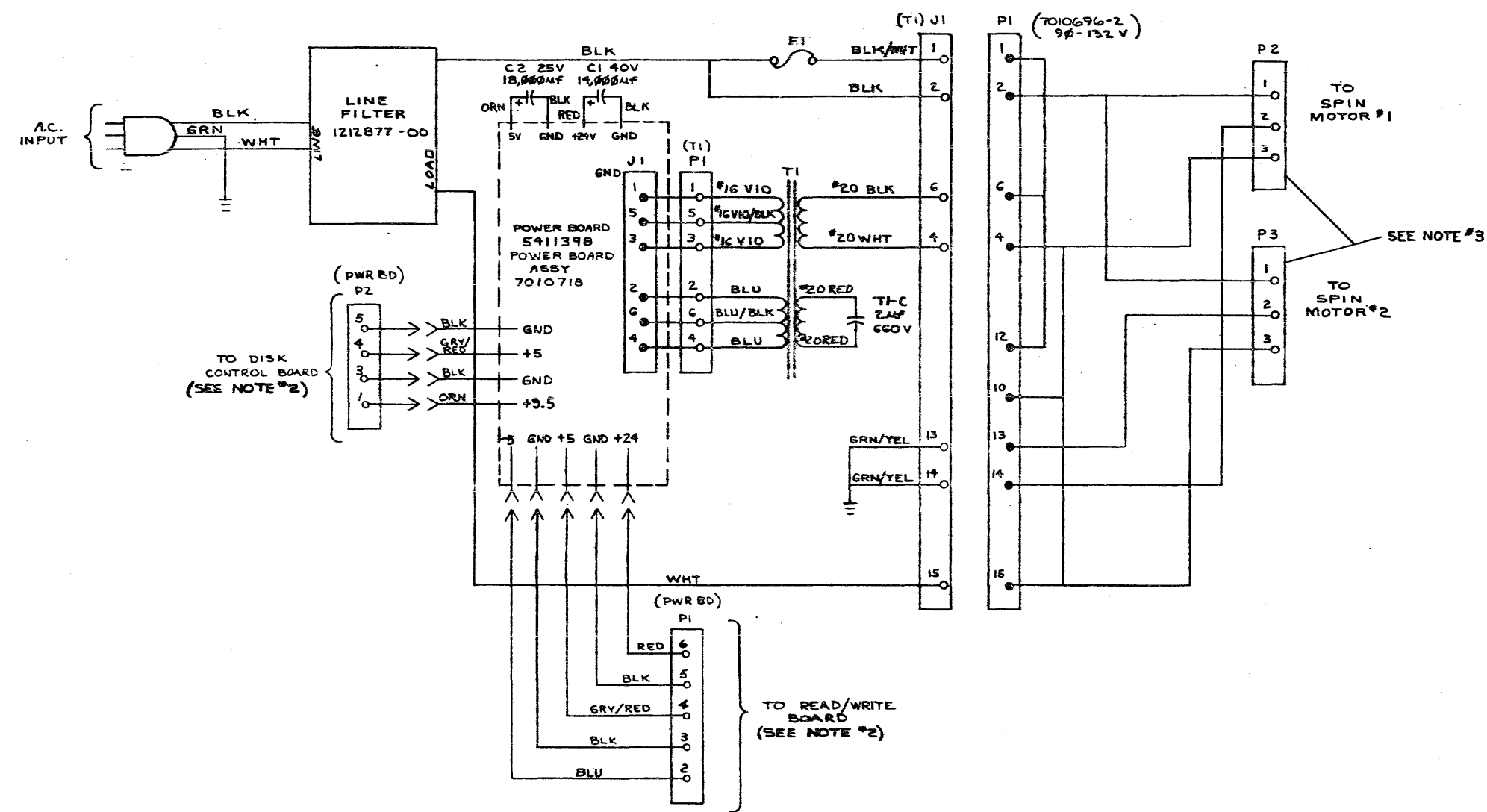
CUSTOMER PRINT SET		MECHANICAL					CUSTOMER PRINT SET		ELECTRICAL						
	MFG. SET	FIND NO.	DRAWING NO.	REV	NO OF SHT	DESCRIPTION	OPTION NO./FILE DATE		MFG. SET	FIND NO.	DRAWING NO.	REV	NO OF SHT	DESCRIPTION	OPTION NO./FILE DATE
		1	E-UA-H771- $\beta$ - $\beta$	J	2	H771 POWER SUPPLY ASSY		X		1	B-DD-H771- $\beta$	E	3	H771 POWER SUPPLY	
			E-MD-7412667-0-0	D	1	CHASSIS, POWER SUPPLY		X			D-CS-H771-A-1	B	1	H771-A CIRCUIT SCHEMATIC	
			D-AD-7010680-0-0	C	1	TRANSFORMER ASSY, 6 $\phi$ HZ		X			D-CS-H771-C-1	C	1	H771-C CIRCUIT SCHEMATIC	
			D-AD-7010704-0-0	E	1	TRANSFORMER ASSY, 5 $\phi$ HZ		X			D-CS-H771-D-1	C	1	H771-D CIRCUIT SCHEMATIC	
			C-AD-7010697-0-0	B	1	POWER CORD ASSY					A-SP-H771- $\beta$ -1			ENGINEERING SPECIFICATION	
			O-IA-7010972-0-0	C	1	JUMPER									
			C-MD-7413344-0-0		1	BRACKET, FUSE MOUNTING									
			A-DC-7413403-0-0		1	DECAL, H771-A									
			A-DC-7414250-0-0	A	1	DECAL, H771-C									
			A-DC-7414251-0-0	A	1	DECAL, H771-D									
			K-PL-H771-0-DBP	J	2	H771 POWER SUPPLY ASSY									
		2	D-AD-7010718-0-0		1	RX $\phi$ 1 POWER BOARD ASSY									
			D-IA-7010854-0-0	C	1	READ/WRITE BOARD HARNESS		X		2	D-AD-7010718-0-0	*	1	RX $\phi$ 1 POWER BOARD ASSY	
			D-IA-7010853-0-0	B	1	DISK CONTROL BOARD HARNESS		X			D-CS-5411398-0-1	*	1	RX $\phi$ 1 POWER BOARD ASSY	

CUSTOMER PRINT SET CODES  
X = PRINT OF DOCUMENT INCLUDED IN PRINT SET  
C = INCLUDES ALL PRINTS INDICATED ON DOCUMENT  
S = CONFIDENTIAL AUTHORIZED SIGNATURE REQUIRED

TITLE  
H771 POWER SUPPLY  
SHEET 3 OF 3  
SIZE CODE B DD  
NUMBER H771- $\beta$   
REV J

THIS DRAWING AND SPECIFICATIONS HEREON ARE THE PROPERTY OF DIGITAL EQUIPMENT CORPORATION AND SHALL NOT BE REPRODUCED OR COPIED OR USED IN WHOLE OR IN PART AS THE BASIS FOR THE MANUFACTURE OR SALE OF ITEMS WITHOUT WRITTEN PERMISSION. COPYRIGHT © 1975, DIGITAL EQUIPMENT CORPORATION

- NOTES:**
1. ALL WIRE TO BE #18 AWG UNLESS OTHERWISE SPECIFIED.
  2. SLOT BETWEEN P1-4 + P1-5 CONTAINS A DUMMY PIN. SLOT BETWEEN P2-4 + P2-5 ALSO CONTAINS A DUMMY PIN.
  3. NO DOUBLE CRIMPS ARE ALLOWED IN MOLEX CONNECTOR(S) TO MOTOR(S).



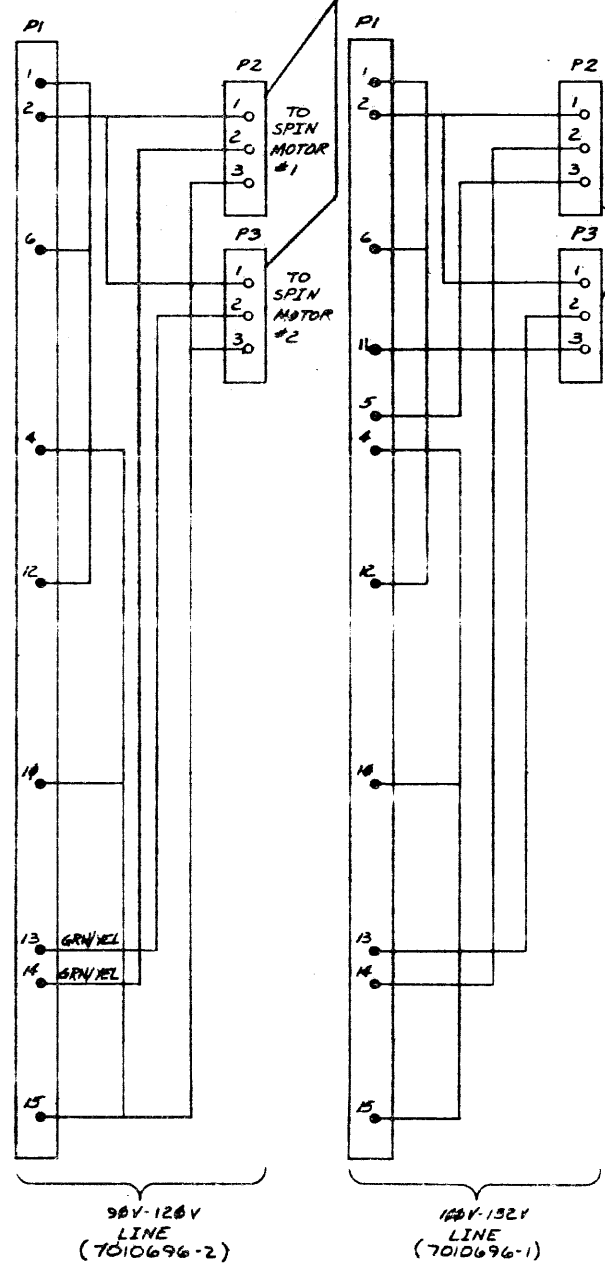
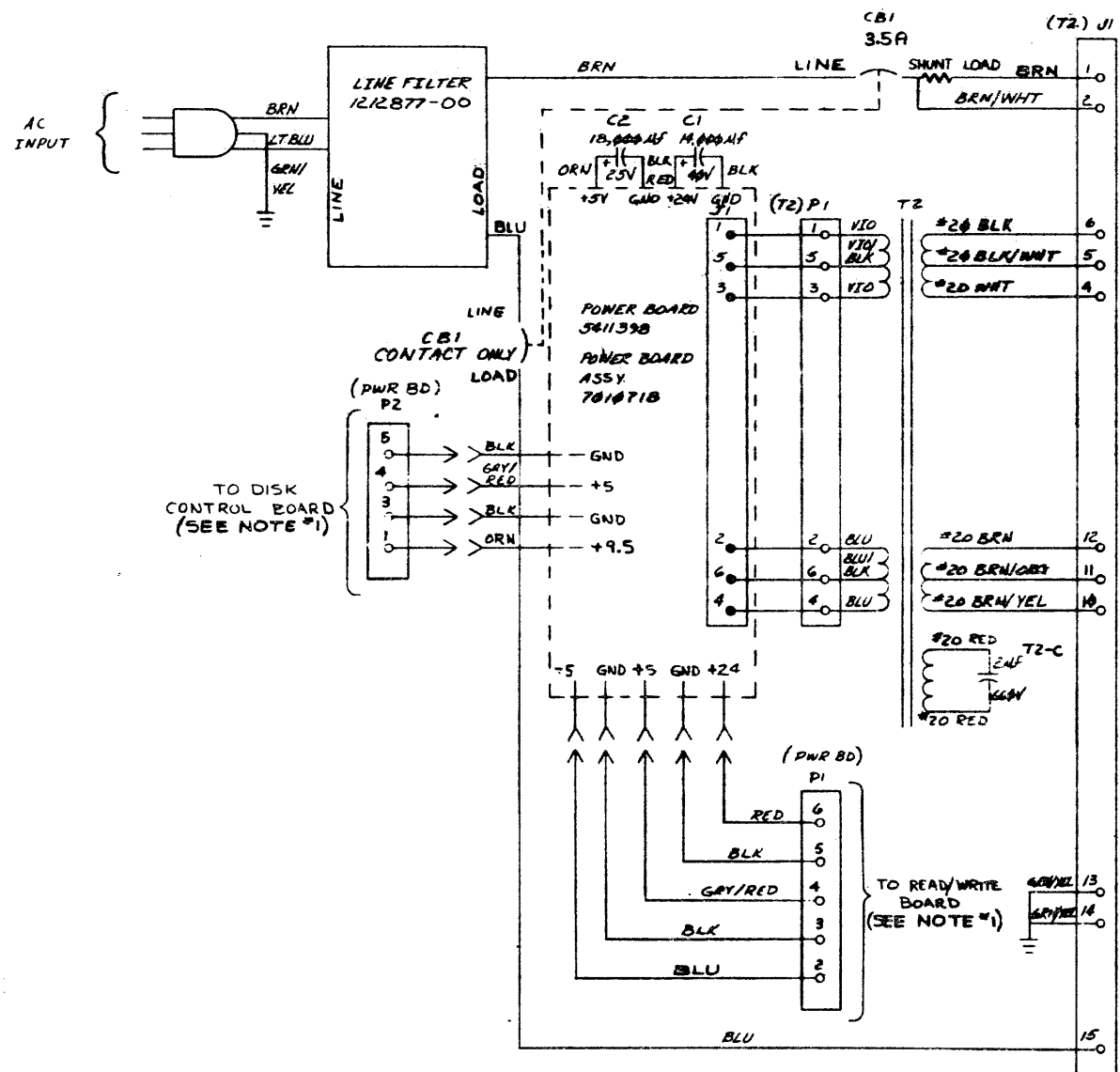
REV.	CHG.	DATE	BY	CHK.
A			B. HAZEN	
B			B. HAZEN	
C			B. HAZEN	

DRN. <i>D.E. O'Leary</i> 1/22/75	FIRST USED ON	<b>digital</b>
CHK'D <i>W.F. C...</i> 2/10/75	Rx01	
ENG. <i>D.W. ...</i> 2-18-75	TITLE	<b>H771A POWER CONNECTIONS</b>
PROJ. ENG. <i>...</i> 3-18-75	SCALE	NONE
PROD. <i>...</i> 7/17/75	NEXT HIGHER ASSY.	
B-DD-H771-0	SIZE	CODE
SCALE NONE	D	CS
SHEET 1 OF 1	DIST.	

THIS DRAWING AND SPECIFICATIONS HEREIN ARE THE PROPERTY OF DIGITAL EQUIPMENT CORPORATION AND SHALL NOT BE REPRODUCED OR COPIED OR USED IN WHOLE OR IN PART AS THE BASIS FOR THE MANUFACTURE OR SALE OF ITEMS WITHOUT WRITTEN PERMISSION. COPYRIGHT © 1975, DIGITAL EQUIPMENT CORPORATION

**NOTES:**

1. SLOT BETWEEN PI-4 AND PI-5 CONTAINS A DUMMY PIN. SLOT BETWEEN P2-4 AND P2-5 ALSO CONTAINS A DUMMY PIN.
2. NO DOUBLE CRIMPS ALLOWED IN MOLEX CONNECTOR(S) TO MOTOR(S).
3. ALL WIRES TO BE #18 UNLESS OTHERWISE SPECIFIED.

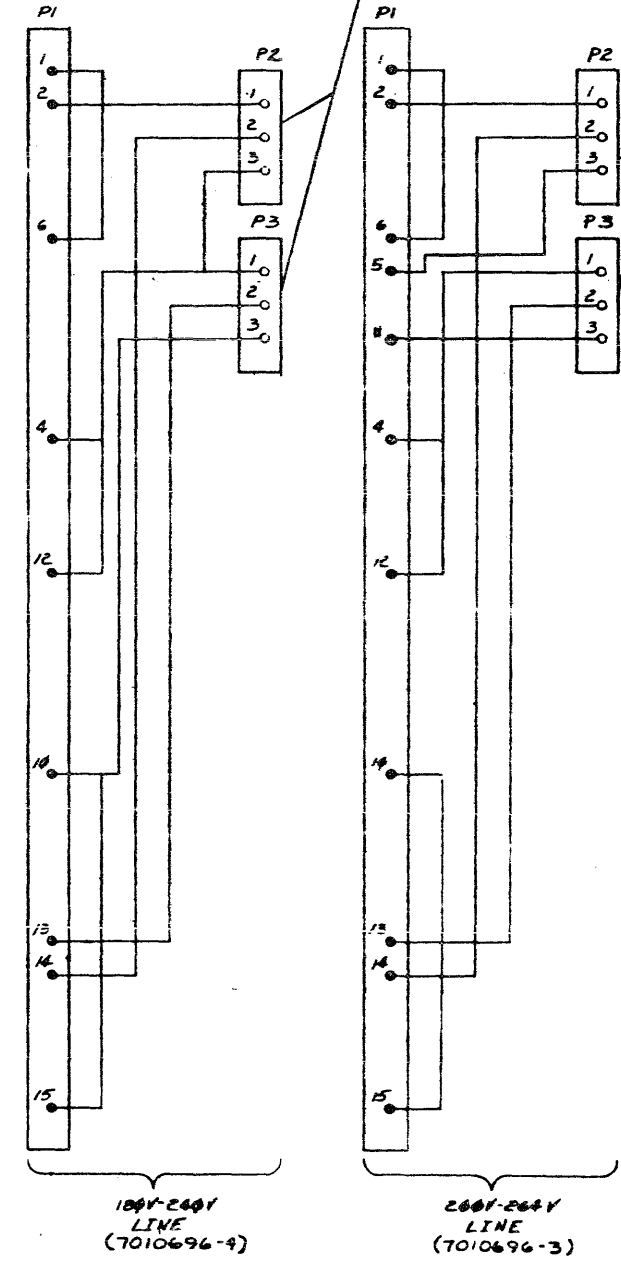
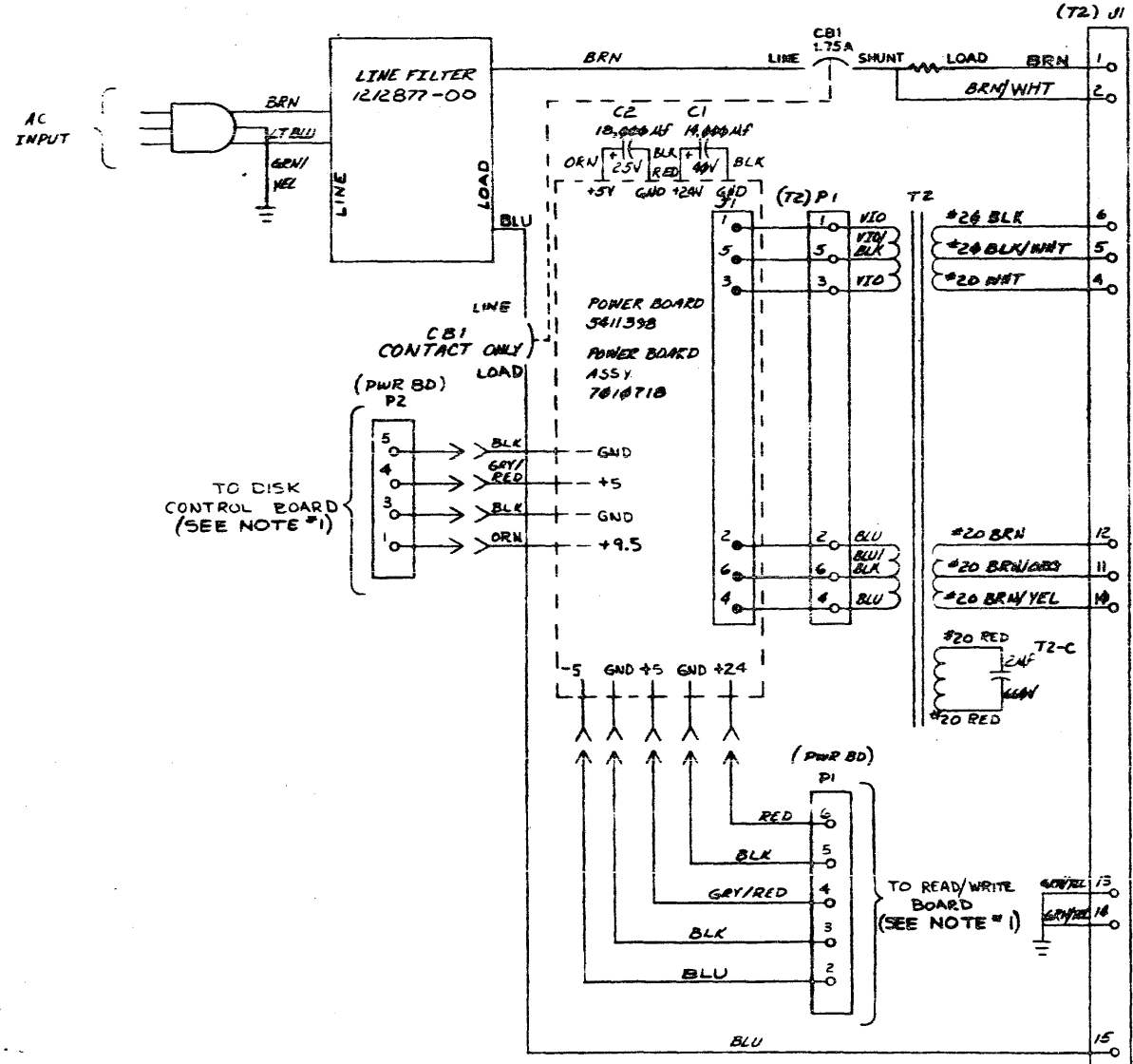


REV.	DATE	BY	CHKD.	APP.
1	11-11-75	B. HAZEN	B. HAZEN	
2	12-11-75	B. HAZEN	B. HAZEN	
3	1-12-76	B. HAZEN	B. HAZEN	
4	4-12-76	B. HAZEN	B. HAZEN	
5	8-12-76	B. HAZEN	B. HAZEN	
6	11-12-76	B. HAZEN	B. HAZEN	
7	1-12-77	B. HAZEN	B. HAZEN	
8	4-12-77	B. HAZEN	B. HAZEN	
9	7-12-77	B. HAZEN	B. HAZEN	
10	10-12-77	B. HAZEN	B. HAZEN	
11	1-12-78	B. HAZEN	B. HAZEN	
12	4-12-78	B. HAZEN	B. HAZEN	
13	7-12-78	B. HAZEN	B. HAZEN	
14	10-12-78	B. HAZEN	B. HAZEN	
15	1-12-79	B. HAZEN	B. HAZEN	
16	4-12-79	B. HAZEN	B. HAZEN	
17	7-12-79	B. HAZEN	B. HAZEN	
18	10-12-79	B. HAZEN	B. HAZEN	
19	1-12-80	B. HAZEN	B. HAZEN	
20	4-12-80	B. HAZEN	B. HAZEN	
21	7-12-80	B. HAZEN	B. HAZEN	
22	10-12-80	B. HAZEN	B. HAZEN	
23	1-12-81	B. HAZEN	B. HAZEN	
24	4-12-81	B. HAZEN	B. HAZEN	
25	7-12-81	B. HAZEN	B. HAZEN	
26	10-12-81	B. HAZEN	B. HAZEN	
27	1-12-82	B. HAZEN	B. HAZEN	
28	4-12-82	B. HAZEN	B. HAZEN	
29	7-12-82	B. HAZEN	B. HAZEN	
30	10-12-82	B. HAZEN	B. HAZEN	

DRN. 2/1/75	REV. 8/5/75	FIRST USED ON	RX01
CHKD. E. DENARD	ENGR. J. C. DENARD	TITLE	H771-C POWER CONNECTIONS
PROD. 1/12/76	SCALE	SIZE CODE	D CS H771-C-1
NEXT HIGHER ASSY.	SHEET 1 OF 1	NUMBER	C

THIS DRAWING AND SPECIFICATIONS HEREAFTER ARE THE PROPERTY OF DIGITAL EQUIPMENT CORPORATION AND SHALL NOT BE REPRODUCED OR COPIED OR USED IN WHOLE OR IN PART AS THE BASIS FOR THE REPRODUCTION OR SALE OF ITEMS WITHOUT WRITTEN PERMISSION. COPYRIGHT © 1975, DIGITAL EQUIPMENT CORPORATION

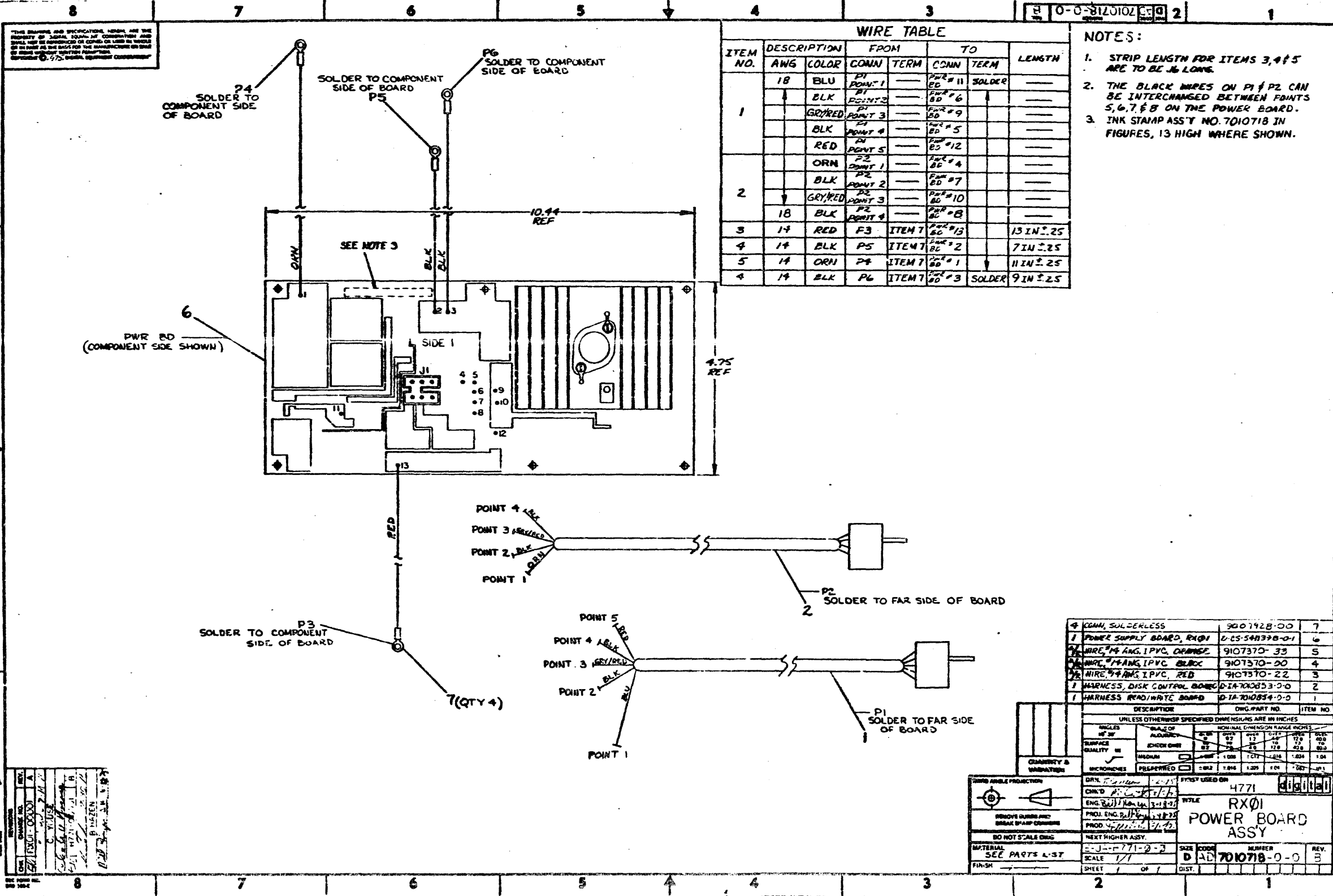
- NOTES:
1. SLOT BETWEEN PI-4 AND PI-5 CONTAINS A DUMMY PIN. SLOT BETWEEN P2-4 AND P2-5 ALSO CONTAINS A DUMMY PIN.
  2. NO DOUBLE CRIMPS ALLOWED IN MOLEX CONNECTOR(S) TO MOTOR(S).
  3. ALL WIRES TO BE #18AWG UNLESS OTHERWISE SPECIFIED.



REV.	DATE	BY	CHK'D	APP'D	DESCRIPTION
1	12-1-75	B. HAZEN			ORIGINAL
2	12-1-75	B. HAZEN			REVISED
3	12-1-75	B. HAZEN			REVISED
4	12-1-75	B. HAZEN			REVISED
5	12-1-75	B. HAZEN			REVISED
6	12-1-75	B. HAZEN			REVISED
7	12-1-75	B. HAZEN			REVISED
8	12-1-75	B. HAZEN			REVISED

DRN. 3/1/75	7-30-75	FIRST USED ON	RX01
CHK'D. 12/1/75	8-5-75	TITLE	H771-D POWER CONNECTIONS
ENG. 12/1/75	8-12-75	PROD. 12/1/75	BY BDX
NEXT HIGHER ASSY.		SIZE CODE	NUMBER
B-DD-H771-0		D CS	H771-D-1
SCALE	1 OF 1	DIST.	





ITEM NO.	WIRE TABLE				
	AWG	COLOR	CONN	TERM	TO
1	18	BLU	P1 POINT 1	---	PWR # 11 SOLDER
	18	BLK	P1 POINT 2	---	PWR # 6
	18	GRY/RED	P1 POINT 3	---	PWR # 9
	18	BLK	P1 POINT 4	---	PWR # 5
	18	RED	P1 POINT 5	---	PWR # 12
2	18	ORN	P2 POINT 1	---	PWR # 4
	18	BLK	P2 POINT 2	---	PWR # 7
	18	GRY/RED	P2 POINT 3	---	PWR # 10
	18	BLK	P2 POINT 4	---	PWR # 8
3	14	RED	F3	ITEM 7	PWR # 13 13 IN ±.25
4	14	BLK	P5	ITEM 7	PWR # 2 7 IN ±.25
5	14	ORN	P4	ITEM 7	PWR # 1 11 IN ±.25
6	14	BLK	P6	ITEM 7	PWR # 3 SOLDER 9 IN ±.25

- NOTES:
1. STRIP LENGTH FOR ITEMS 3, 4 & 5 ARE TO BE .16 LONG.
  2. THE BLACK WIRES ON P1 & P2 CAN BE INTERCHANGED BETWEEN POINTS 5, 6, 7 & 8 ON THE POWER BOARD.
  3. INK STAMP ASSY NO. 7010718 IN FIGURES, 13 HIGH WHERE SHOWN.

THIS DRAWING AND SPECIFICATIONS HEREIN ARE THE PROPERTY OF DIGITAL EQUIPMENT CORPORATION AND SHALL NOT BE REPRODUCED OR COPIED IN WHOLE OR IN PART AS THE BASIS FOR THE MANUFACTURE OR SALE OF ANY EQUIPMENT WITHOUT WRITTEN PERMISSION THEREOF. © 1970 DIGITAL EQUIPMENT CORPORATION

REV	DATE	BY	CHKD
1	7/1/70	...	...
2	7/1/70	...	...
3	7/1/70	...	...
4	7/1/70	...	...
5	7/1/70	...	...
6	7/1/70	...	...
7	7/1/70	...	...
8	7/1/70	...	...

CONN, SOLDERLESS	900792B-00	7
POWER SUPPLY BOARD, RX01	D-05-54839B-01	6
WIRE #14 AWG. 1 PVC, ORANGE	9107370-33	5
WIRE #14 AWG. 1 PVC, BLACK	9107370-20	4
WIRE #14 AWG. 1 PVC, RED	9107370-22	3
HARNESS, DISK CONTROL BOARD	D-1A-700853-0-0	2
HARNESS READ/WRITE BOARD	D-1A-700854-0-0	1

UNLESS OTHERWISE SPECIFIED DIMENSIONS ARE IN INCHES

ANGLES	30°	45°	60°	90°	120°	135°	150°	180°
SURFACE QUALITY	AS BUILT	...	...	...	...	...	...	...

DESCRIPTION: RX01 POWER BOARD ASSY

DATE: 7/1/70

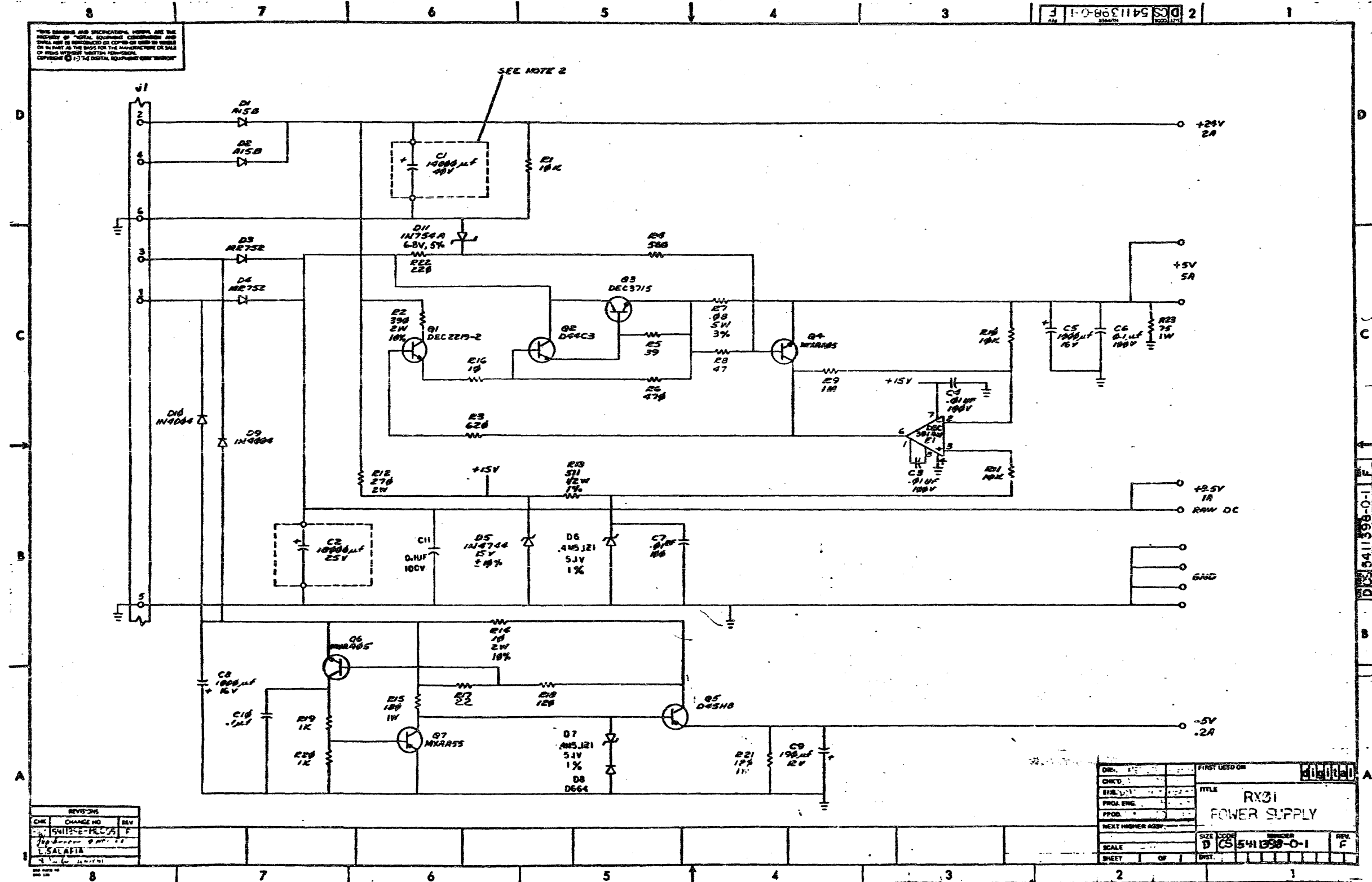
SCALE: 1/1

SHEET 1 OF 1

RX01 7010718-0-0 B

THIS DRAWING AND SPECIFICATIONS, HEREIN ARE THE PROPERTY OF "DIGITAL EQUIPMENT CORPORATION" AND SHALL NOT BE REPRODUCED OR COPIED OR USED IN WHOLE OR IN PART AS THE BASIS FOR THE MANUFACTURE OR SALE OF ITEMS WITHOUT WRITTEN PERMISSION.  
 COPYRIGHT © 1974 DIGITAL EQUIPMENT CORPORATION

CS 541398-0-1



REV	CHG	DATE	BY
1	SWITCHE-PLCS	F	
2	LSA/ATM		

DRG. NO.	CS 541398-0-1	FIRST USED ON	
CHKD.		TITLE	RX01 POWER SUPPLY
PROJ. ENG.		SIZE	D
PROD.		CODE	CS 541398-0-1
NEXT HIGHER ASSY.		REV.	F
SCALE		SHEET	1 OF 1

"THE MATERIAL HEREIN IS FOR INFORMATION PURPOSES ONLY AND IS SUBJECT TO CHANGE WITHOUT NOTICE. DIGITAL EQUIPMENT CORPORATION ASSUMES NO RESPONSIBILITY FOR ANY ERRORS WHICH MAY APPEAR HEREIN."

## FIELD MAINTENANCE PRINT SET

"THIS DRAWING AND SPECIFICATIONS, HEREIN, ARE THE PROPERTY OF DIGITAL EQUIPMENT CORPORATION AND SHALL NOT BE REPRODUCED OR COPIED OR USED IN WHOLE OR IN PART AS THE BASIS FOR THE MANUFACTURE OR SALE OF ITEMS WITHOUT WRITTEN PERMISSION. COPYRIGHT © 1976, DIGITAL EQUIPMENT CORPORATION."

### TABLE OF CONTENTS

B-TC-7013503-0-1	7013503-0 TABLE OF CONTENTS
E-UA-7013503-0-0	PLENUM/FAN ASSY
C-IC-7013503-0-2	PLENUM INTERCONNECTION CHART

UNIT VARIATIONS COVERED BY THIS PRINT SET
7013503-0
7013503-1
7013503-2
7013503-3
7013503-4
7013503-5
7013503-6
7013503-7

7013503-0  
**Field Maintenance  
 Print Set**

**Digital Equipment  
 Corporation**  
 PRINT SET ORDER NO.  
 MP 00284

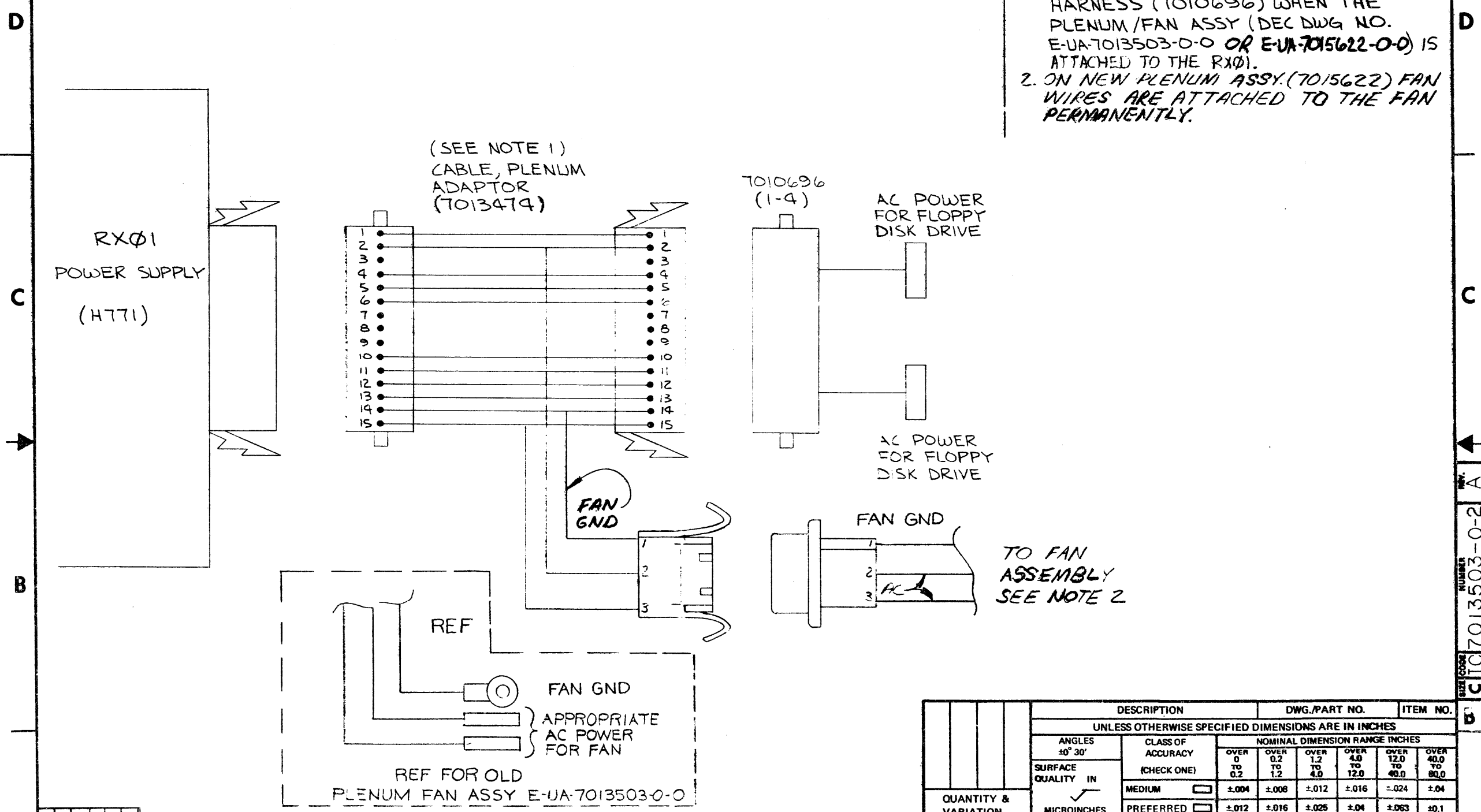
REVISIONS	REV.		USED ON OPTION/MODEL	DRN.	DATE	digital	TITLE: RX01 PLENUM/FAN ASSY.			
	CHG. NO.		RX01	<i>Deso</i>	18 Nov 76					
	DATE			<i>Don McManis</i>	23 Nov 76					
				PROJ. ENG.	DATE		SIZE	CODE	NUMBER	REV.
				<i>Chuck House</i>	23 Nov 76	B	TC	7013503-0-1		
				FIELD SERV.	DATE		DIST.			
			SHEET I OF 1	<i>W. Conroy</i>	23 Nov 76					

EN-01124-16-NG75-(327)



"THIS DRAWING AND SPECIFICATIONS, HEREIN, ARE THE PROPERTY OF DIGITAL EQUIPMENT CORPORATION AND SHALL NOT BE REPRODUCED OR COPIED OR USED IN WHOLE OR IN PART AS THE BASIS FOR THE MANUFACTURE OR SALE OF ITEMS WITHOUT WRITTEN PERMISSION. COPYRIGHT © 1976, DIGITAL EQUIPMENT CORPORATION"

**NOTES:**  
 1. PLENUM ADAPTOR CABLE DEC DWG NO. D-IA-7013474-0-0 IS TO BE PLACED IN SERIES WITH THE H771 AND HARNESS (7010696) WHEN THE PLENUM/FAN ASSY (DEC DWG NO. E-UA-7013503-0-0 OR E-UA-7015622-0-0) IS ATTACHED TO THE RXØ1.  
 2. ON NEW PLENUM ASSY (7015622) FAN WIRES ARE ATTACHED TO THE FAN PERMANENTLY.



REVISIONS	REV.
CHANGE NO.	
CHK	EP
	7013503-0002 A
	H. DRAB
	6-20-78 DP

DESCRIPTION		DWG. PART NO.	ITEM NO.				
UNLESS OTHERWISE SPECIFIED DIMENSIONS ARE IN INCHES							
ANGLES ±0° 30'	CLASS OF ACCURACY (CHECK ONE)	NOMINAL DIMENSION RANGE INCHES					
SURFACE QUALITY IN		OVER 0 TO 0.2	OVER 0.2 TO 1.2	OVER 1.2 TO 4.0	OVER 4.0 TO 12.0	OVER 12.0 TO 40.0	OVER 40.0 TO 80.0
QUANTITY & VARIATION	MEDIUM <input type="checkbox"/>	±.004	±.008	±.012	±.016	±.024	±.04
	PREFERRED <input type="checkbox"/>	±.012	±.016	±.025	±.04	±.063	±0.1
THIRD ANGLE PROJECTION	DRN. <i>Deane</i> 22-Nov-76	FIRST USED ON					
REMOVE BURRS AND BREAK SHARP CORNERS	CHK'D. <i>Deane</i> 23-Nov-76	RXØ1 digital					
DO NOT SCALE DWG	PROJ. ENG. <i>Deane</i> 23-Nov-76	TITLE					
	PROD. <i>Deane</i> 11-23-76	PLENUM INTERCONNECTION CHART					
MATERIAL	E-UA-7013503-0-0	SIZE	CODE				
FINISH	SCALE: NONE	C	NUMBER				
	SHEET	OF 1	DIST.				
			REV. A				

CIC 7013503-0-2

**DIGITAL EQUIPMENT CORPORATION  
MAYNARD, MASSACHUSETTS  
PARTS LIST**

**QUANTITY VARIATION**

MADE BY M. ALDEN	CHECKED G. MARINI	SECTION
DATE JULY 18, 1978	DATE 7/19/78	
ENG <i>John R. Blawie</i>	PROD <i>Michael DeLam</i>	ISSUED SECT.
DATE 9-1-78	DATE 9-1-78	

ITEM NO.	DWG NO./PART NO.	DESCRIPTION
1	MP00629	PRINT SET - RX02
2	EK RX02-UG	USER'S GUIDE
3	ZJ279-RB	DIAGNOSTIC KIT

RX02-0-4									

TITLE RX02, SOFTWARE LIST	ASSY NO. B-DD-RX02-0	SIZE A	CODE PL	NUMBER RX02-0-4	REV	ECO NO.
SHEET 1 OF 1		DIST				

DEC FORM  
DRA 119

DIGITAL EQUIPMENT CORPORATION MAYNARD, MASSACHUSETTS				QUANTITY / VARIATION																			
PARTS LIST																							
MADE BY R. P. Morin		CHECKED <i>R. P. Morin</i>		SECTION		7017035-00		7017035-02		7017035-03		7017035-04											
DATE 23 MAY 79		DATE 29 MAY 79																					
ENG <i>R. P. Morin</i>		PROD G. FARRAR		ISSUED SECT.																			
DATE 29 MAY 79		DATE 5 JUNE 79																					
ITEM NO.	DWG NO. / PART NO.	DESCRIPTION																					
1	9006039-01	SCR., PH. P.H. 8-32 X .50L		1	-	-	-	1															
2	9006690-00	WASHER, SPLIT, LOCK NO. 8		1	-	-	-	1															
3	9006666-00	WASHER, FLAT, NO. 8		1	-	-	-	1															
4	9006565-00	NUT, KEP, HEX, 10-32		2	-	2	-	-															
5	9007786-00	NUT, TINNEMAN 10-32		5	-	-	4	1															
6	9009700-00	SCR., SEMS, TRUSS HD 10-32 X .50L		15	-	10	4	1															
VARIATIONS		-00 HARDWARE KIT, RX02																					
		-02 HARDWARE KIT, SLIDES																					
		-03 HARDWARE KIT, COVER																					
		-04 HARDWARE KIT, UL BRACKET																					
NOTE: ALL PARTS TO BE BAGGED AND BAG TO BE IDENTIFIED WITH PART NUMBER AND REV LETTER.																							
NOTE: NO ASSEMBLY DRAWING EXISTS FOR THIS PARTS LIST. (SEE E-UA-RX02-0-0 FOR USAGE.)																							
TITLE RX02 HARDWARE KITS				ASSY NO. E-UA-RX02-0-0				SIZE CODE A PL		NUMBER 7017035-0-0				REV.		ECO NO. RX02-ML003							
SHEET 1 OF 1				DIST.																			

DIGITAL EQUIPMENT CORPORATION MAYNARD, MASSACHUSETTS PARTS LIST					QUANTITY VARIATION												
MADE BY	BOB MORIN	CHECKED	G. MARINI	SECTION		RX02-AA	RX02-AC	RX02-AD	RX02-BA	RX02-BC	RX02-BD	RX02-CA	RX02-CC	RX02-DA	RX02-DC	RX02-DD	RX02-LA
DATE	7/19/78	DATE	7/19/78		1												
ENG	<i>John R. Blawie</i>	PROD	<i>Michael DeBorja</i>	ISSUED SECT.													
DATE	9-1-78	DATE	9-1-78		2												
ITEM NO.	DWG NO./PART NO.	DESCRIPTION															
1	B-DD-RX02-0	RX02 FLOPPY DISK DRIVE ASSY.		1	1	1	1	1	1	1	-	-	1	1	1	1	1
<del>2</del>	<del>D-AD-7010721-03</del>	<del>BEZEL ASSY, SINGLE DRIVE (RX02)</del>		<del>1</del>	<del>1</del>	<del>1</del>	<del>1</del>	<del>1</del>	<del>1</del>	<del>1</del>	<del>1</del>	<del>1</del>	<del>1</del>	<del>1</del>	<del>1</del>	<del>1</del>	<del>1</del>
<del>3</del>	<del>D-AD-7010721-04</del>	<del>BEZEL ASSY, DUAT DRIVE (RX02)</del>		<del>1</del>	<del>1</del>	<del>1</del>	<del>1</del>	<del>1</del>	<del>1</del>	<del>1</del>	<del>1</del>	<del>1</del>	<del>1</del>	<del>1</del>	<del>1</del>	<del>1</del>	<del>1</del>
4	E-UA-7013077-00	FLEXIBLE DISK DRIVE - 60 HZ		-	-	-	-	-	-	-	1	-	-	-	-	-	-
5	E-UA-7013077-01	FLEXIBLE DISK DRIVE - 50 HZ		-	-	-	-	-	-	-	-	1	-	-	-	-	-
6	A-PS-3612408-00	DISKETTE		1	1	1	2	2	2	-	-	-	2	2	2	2	2
7	E-IA-7412666-0-0	COVER, TOP		1	1	1	1	1	1	1	-	-	-	-	-	-	-
8	A-PS-1212157-00	SLIDE, CHASSIS		1	1	1	1	1	1	1	-	-	1	1	1	1	-
9	C-MD-7413350-01	SHIPPING, BRACKET (BLACK)		1	1	1	1	1	1	1	-	-	1	1	1	1	-
<del>10</del>	<del>A-PL-RX02-0-5</del>	<del>HARDWARE KIT</del>		<del>1</del>	<del>1</del>	<del>1</del>	<del>1</del>	<del>1</del>	<del>1</del>	<del>1</del>	<del>1</del>	<del>1</del>	<del>1</del>	<del>1</del>	<del>1</del>	<del>1</del>	<del>1</del>
11	A-PL-RX02-0-4	SOFTWARE SHIP LIST		1	1	1	1	1	1	1	-	-	1	1	1	1	1
12	A-SP-3700185-00	PACK. INSTR. - INTERPLANT W/BEZEL		1	1	1	1	1	1	1	-	-	-	-	-	-	1
13	A-SP-3700185-01	PACK. INSTR. - INTERPLANT W/O BEZEL		-	-	-	-	-	-	-	-	-	-	1	1	1	-
14	A-SP-3700193-00	PACK. INSTR. - CUSTOMER		A/R	A/R	A/R	A/R	A/R	A/R	A/R	-	-	A/R	A/R	A/R	A/R	A/R
15	A-SP-3700229-00	PACK. INSTR. - DRIVE		-	-	-	-	-	-	-	1	1	-	-	-	-	-
16	A-PL-7017035-00	HARDWARE KIT, RX02		1	1	1	1	1	1	1	-	-	-	-	-	-	-
17	A-PL-7017035-02	HARDWARE KIT, SLIDES		-	-	-	-	-	-	-	-	-	1	1	1	1	-
18	A-PL-7017035-03	HARDWARE KIT, COVER		REFERENCE													
19	A-PL-7017035-04	HARDWARE KIT, SHIPPING BRKT		-	-	-	-	-	-	-	-	-	1	1	1	1	-
TITLE				ASSY NO.	SIZE	CODE	NUMBER						REV	ISS NO.			
RX02, SHIPPING LIST				B-DD-RX02-0	A	PL	RX02-0-3						D	RX02-0-3			
				SHEET 1 OF 2	DIST												

DEC FORM  
DRA 116

DIGITAL EQUIPMENT CORPORATION MAYNARD, MASSACHUSETTS PARTS LIST					QUANTITY VARIATION											
MADE BY	BOB MORIN	CHECKED	G. MARINI	SECTION		RX02-LC	RX02-LD	RX02-NA	RX02-NC	RX02-ND	RX02-VA	RX02-VC	RX02-VD	RX02-RE	RX02-BJ	
DATE	7/19/78	DATE	7/19/78		2											
ENG	<i>John R. Blawie</i>	PROD	<i>Michael DeBorja</i>	ISSUED SECT.												
DATE	9-1-78	DATE	9-1-78		2											
ITEM NO.	DWG NO./PART NO.	DESCRIPTION														
1	B-DD-RX02-0	RX02 FLOPPY DISK DRIVE ASSY		1	1	1	1	1	1	1	1	1	1	1	1	
<del>2</del>	<del>D-AD-7010721-03</del>	<del>BEZEL ASSY, SINGLE DRIVE (RX02)</del>		<del>1</del>	<del>1</del>	<del>1</del>	<del>1</del>	<del>1</del>	<del>1</del>	<del>1</del>	<del>1</del>	<del>1</del>	<del>1</del>	<del>1</del>	<del>1</del>	
<del>3</del>	<del>D-AD-7010721-04</del>	<del>BEZEL ASSY, DUAT DRIVE (RX02)</del>		<del>1</del>	<del>1</del>	<del>1</del>	<del>1</del>	<del>1</del>	<del>1</del>	<del>1</del>	<del>1</del>	<del>1</del>	<del>1</del>	<del>1</del>	<del>1</del>	
4	E-UA-7013077-00	FLEXIBLE DISK DRIVE - 60 HZ		-	-	-	-	-	-	-	-	-	-	-	-	
5	E-UA-7013077-01	FLEXIBLE DISK DRIVE - 50 HZ		-	-	-	-	-	-	-	-	-	-	-	-	
6	A-PS-3612408-00	DISKETTE		2	2	1	1	1	1	1	1	1	2	2	2	
7	E-IA-7412666-0-0	COVER, TOP		-	-	-	-	-	-	-	-	-	1	1	1	
8	A-PS-1212157-00	SLIDE, CHASSIS		-	-	-	-	-	-	-	-	-	1	1	1	
9	C-MD-7413350-01	SHIPPING BRACKET (BLACK)		-	-	-	-	-	-	1	1	1	1	1	1	
<del>10</del>	<del>A-PL-RX02-0-5</del>	<del>HARDWARE KIT</del>		<del>1</del>	<del>1</del>	<del>1</del>	<del>1</del>	<del>1</del>	<del>1</del>	<del>1</del>	<del>1</del>	<del>1</del>	<del>1</del>	<del>1</del>	<del>1</del>	
11	A-PL-RX02-0-4	SOFTWARE SHIP LIST		1	1	1	1	1	1	1	1	1	1	1	1	
12	A-SP-3700185-00	PACK. INSTR. - INTERPLANT W/BEZEL		1	1	1	1	1	1	-	-	-	1	1	1	
13	A-SP-3700185-01	PACK. INSTR. - INTERPLANT W/O BEZEL		-	-	-	-	-	-	1	1	1	-	-	-	
14	A-SP-3700193-00	PACK. INSTR. - CUSTOMER		A/R	A/R	A/R	A/R	A/R	A/R	A/R	A/R	A/R	A/R	A/R	A/R	
15	A-SP-3700229-00	PACK. INSTR. - DRIVE		-	-	-	-	-	-	-	-	-	-	-	-	
16	A-PL-7017035-00	HARDWARE KIT, RX02		-	-	-	-	-	-	-	-	-	1	1	1	
17	A-PL-7017035-02	HARDWARE KIT, SLIDES		-	-	-	-	-	-	-	-	-	-	-	-	
18	A-PL-7017035-03	HARDWARE KIT, COVER		REFERENCE												
19	A-PL-7017035-04	HARDWARE KIT, SHIPPING LIST		-	-	-	-	-	-	1	1	1	-	-	-	
TITLE				ASSY NO.	SIZE	CODE	NUMBER						REV	ISS NO.		
RX02, SHIPPING LIST				B-DD-RX02-0	A	PL	RX02-0-3						D			
				SHEET 2 OF 2	DIST											

DEC FORM  
DRA 116



## CUSTOMER PRINT SET INDEX

SEQUENCE 7 7

SEQUENCE 7 7

THIS IS PRINT SET

FOR FIELD MAINTENANCE PRINT SET  
REFER TO MP 00284

UNIT VARIATIONS		PRINT SET			
VAR	TITLE				
7013503-0	COOLING UNIT FOR DUAL RXØ1 115V				
7013503-1	COOLING UNIT FOR DUAL RXØ1 230V				
7013503-2	COOLING UNIT FOR SINGLE RXØ1 115V				
7013503-3	COOLING UNIT FOR SINGLE RXØ1 230V				
7013503-4	7013503-0 W/O PACKAGING				
7013503-5	7013503-1 W/O PACKAGING				
7013503-6	7013503-2 W/O PACKAGING				
7013503-7	7013503-3 W/O PACKAGING				

REV	CHG. NO.	DATE			

USED ON OPTION/MODEL	DATE <i>D. Davis</i>	DATE <i>8/20/76</i>	TITLE			
RXØ1	<i>Don M. ...</i>	<i>11/23/76</i>	RXØ1 PLENUM/FAN ASSY.			
	<i>... House</i>	<i>11/23/76</i>	SIZE	CODE	NUMBER	REV
	<i>John Gibbs</i>	<i>1/23/76</i>	B	DD	7013503-0	
	<i>W. ...</i>	<i>2/9/78</i>	DIST			
SHEET 1 OF 2						

(SEE 7/8/91-91-VT-29010-A3)



"THE MATERIAL HEREIN IS FOR INFORMATION PURPOSES ONLY AND IS SUBJECT TO CHANGE WITHOUT NOTICE. DIGITAL EQUIPMENT CORPORATION ASSUMES NO RESPONSIBILITY FOR ANY ERRORS WHICH MAY APPEAR HEREIN."

## DRAWING DIRECTORY

"THIS DRAWING AND SPECIFICATIONS, HEREIN, ARE THE PROPERTY OF DIGITAL EQUIPMENT CORPORATION AND SHALL NOT BE REPRODUCED OR COPIED OR USED IN WHOLE OR IN PART AS THE BASIS FOR THE MANUFACTURE OR SALE OF ITEMS WITHOUT WRITTEN PERMISSION. COPYRIGHT © 1972 DIGITAL EQUIPMENT CORPORATION."

FOR FIELD MAINTENANCE PRINT SET  
REFER TO MP 00656

### UNIT VARIATIONS

VAR	TITLE
7015622-0	COOLING UNIT FOR DUAL RX01 115V
7015622-1	COOLING UNIT FOR DUAL RX01 230V
7015622-2	COOLING UNIT FOR SINGLE RX01 115V
7015622-3	COOLING UNIT FOR SINGLE RX01 230V
7015622-4	7015622-0 W/O PACKAGING
7015622-5	7015622-1 W/O PACKAGING
7015622-6	7015622-2 W/O PACKAGING
7015622-7	7015622-3 W/O PACKAGING

REVISIONS	CHANGE NO.	REV.	CHK	USED ON OPTION/MODEL	DRN.	DATE	<div style="border: 1px solid black; padding: 2px; font-weight: bold;">digital</div>	
				RX01	Dr. Daniel	3-JUN-78		RX01 PLENUM/FAN ASSY.
					CHK'D.	DATE		
					E. Remond	5 JUN 78		
					PROJ. ENG.	DATE		
					H. Drake (DP)	6-7-78	SIZE CODE NUMBER REV	
					PROD.	DATE	B DD 7015622-C	
				SHEET 1 OF 2	W Brown (DP)	6-7-78	DIST. [ ] [ ] [ ] [ ] [ ] [ ] [ ] [ ] [ ] [ ]	



LINE	ITEM	DOCUMENT NUMBER	PART NUMBER	DESCRIPTION	QUANTITY PER VARIATION											
					AA	AC	AD	BA	BC	BD	CA	CC	DA	DC	DD	LA
1	1	D-IA-7010679-0-0	7010679-00	CHASSIS/HINGES	1	1	1	1	1	1	-	-	1	1	1	1
2	2	D-UA-M7744-0-0	M7744-00	*** THIS ITEM IS NOT USED ***	-	-	-	-	-	-	-	-	-	-	-	-
3	3	D-UA-M7745-0-0	M7745-00	*** THIS ITEM IS NOT USED ***	-	-	-	-	-	-	-	-	-	-	-	-
4	4	E-UA-H771-A-0	OH771-A	POW SUPPLY RX01 (RX11) 60HZ	1	-	-	1	-	-	-	-	1	-	-	1
5	5	E-UA-H771-C-0	OH771-C	RX01 SUP: +5V 5A, -5V 0.15A, +9.5V	-	1	-	-	1	-	-	-	-	1	-	-
6	6	E-UA-H771-D-0	OH771-D	RX01 SUP: +5V 5A, -5V 0.15A, +9.5V	-	-	1	-	-	1	-	-	-	-	1	-
7	7	E-UA-7013077-0-0		FLEXIBLE DISK DRIVE 60 HZ	1	-	-	2	-	-	1	-	2	-	-	2
8	8	E-UA-7013077-1-0	7013077-01	FLEXIBLE DRIVE ASSY (50HZ)	-	1	1	-	2	2	-	1	-	2	2	-
9	9	C-IA-7015580-0-0	7015580-0F	CABLE ASSY(M7744/M7745)	1	1	1	1	1	1	-	-	1	1	1	1
10	10	D-UA-BC05L-15-0	BC05L-15	DRX11-CA CONN CABLE,15FT	-	1	1	1	1	1	-	-	-	-	-	-
11	11	D-UA-BC05L-8-0	BC05L-08	CABLE JUMPER	-	-	-	-	-	-	-	-	1	1	1	-
12	12	E-UA-7015622-0-4	7015622-04	PLENUM FAN ASSY. 115 VAC	-	-	-	1	1	-	-	-	1	1	-	1
13	13	E-UA-7015622-0-5	7015622-05	PLENUM FAN ASSY. 230 VAC	-	-	-	-	-	1	-	-	-	-	-	1
14	14	E-UA-7015622-0-6	7015622-06	PLENUM FAN ASSY. 115 VAC	1	1	-	-	-	-	-	-	-	-	-	-
15	15	E-UA-7015622-0-7	7015622-07	PLENUM FAN ASSY. 230 VAC	-	-	1	-	-	-	-	-	-	-	-	-
16	16	A-PS-3617880-0-0	3617880-09	LABEL,FCC,NON-COMPLIANT	1	-	-	1	-	-	1	-	1	-	-	1
17	17	A-PS-3613210-0-0	3613210-00	LABEL, UL FOIL ADH BACK	1	1	1	1	1	1	-	-	1	1	1	1
18	18	A-PS-3612063-0-0	3612063-00	LABEL, ADHESIVE I.D. FOR UL C	1	1	1	1	1	1	-	-	1	1	1	1
19	19		9009120-02	STANDOFF,MALE/FEMALE HEX 6-32	2	2	2	2	2	2	-	-	2	2	2	2
20	20		9007604-00	SPACER,THREADED HEX ALUM 6-3	1	1	1	1	1	1	-	-	1	1	1	1
21	21	C-MD-7409479-0-0	7409479-00	PRESSURE PLATE	1	1	1	1	1	1	-	-	1	1	1	-
22	22		9107245-00	TUBING,EXTRUDED, .375ID UL	1	1	1	1	1	1	-	-	1	1	1	-
23	23		9007031-00	TIE,CABLE BUNDL DIA 0- 3/4"=101	1	1	1	-	-	-	-	-	-	-	-	-
24	24		9008341-00	CLIP,PVC HARNESS, DESK LASP,1"WID	2	2	2	2	2	2	-	-	2	2	2	2
25	25		9006023-01	*** THIS ITEM IS NOT USED ***	-	-	-	-	-	-	-	-	-	-	-	-
26	26		9006024-01	SCREW,MACH PAN PHIL 6-	2	2	2	2	2	2	-	-	2	2	2	2
27	27		9006039-01	SCREW,MACH PAN PHIL 8-	10	10	10	10	10	10	-	-	6	6	6	7
28	28		9007801-00	WASHER,HELICAL SPLIT SST	6	6	6	6	6	6	-	-	6	6	6	6
29	29		9006690-00	WASHER,HELICAL SPLIT SST	10	10	10	10	10	10	-	-	6	6	6	7
30	30		9006653-00	WASHER,FLAT STEEL	6	6	6	6	6	6	-	-	6	6	6	6

REVISION HISTORY		BASIC PART NO: ORX02		DRN: R.P.MORIN	DATE: 1-SEP-78	D I G I T A L				
ENG:	ECO NUMBER	REV	SECTION A OF B	CHK'D: R.P.MORIN	DATE: 1-SEP-78	TITLE		PARTS LIST		
M.H	RX02-ML005	D	SECTION VARIATION INDEX	DES.ENG.: R.P.MORIN	DATE: 1-SEP-78	RX02 FLOPPY DISK DRIVE ASSY				
MH	RX02-ML007	E	[A] AA,AC,AD,BA,BC,BD,	RESP.ENG.: P.GLAVIN	DATE: 1-SEP-78	DOCUMENT NUMBER				
E.S	RX02-SH008	F	CA,CC,DA,DC,DD,LA	MFG.ENG.: M.DURHAM	DATE: 1-SEP-78	SIZE: K	CODE: PL	NUMBER: RX02-0-0BP	REV: H	
AR	RX02-SH009	H	[B] LC,LD,NA,NC,ND,VA, VC,VD,BE,BJ	ASSEMBLY NUMBER: #8-DD-RX02-0	TOP DOCUMENT NUMBER:	FILE NAME: Z4269H.PLS		EDIT: 8		
<p>"THIS DRAWING AND SPECIFICATIONS HEREIN, ARE THE PROPERTY OF DIGITAL EQUIPMENT CORPORATION AND SHALL NOT BE REPRODUCED OR COPIED OR USED IN WHOLE OR IN PART AS THE BASIS FOR THE MANUFACTURE OR SALE OF ITEMS WITHOUT WRITTEN PERMISSION. COPYRIGHT (C) 1983. DIGITAL EQUIPMENT CORPORATION"</p>										

AUTOMATED BY PRTLST.3P(44)

PARTS LIST

SHEET A2 OF A2

LINE	ITEM	DOCUMENT NUMBER	PART NUMBER	DESCRIPTION	QUANTITY PER VARIATION							SHEET A2 OF A2				
					AA	AC	AD	BA	BC	BD	CA	CC	DA	DC	DD	LA
31	31		9006666-00	WASHER,FLAT SST	7	7	7	7	7	7	-	-	3	3	3	4
32	32		9006558-00	NUT,HEX 6-32X .307AF CS/C	6	6	6	6	6	6	-	-	6	6	6	6
33	33		3615996-01	LABEL,MAINTENANCE RX02	1	1	1	1	1	1	-	-	1	1	1	1
34	34		9009984-02	SCREW,SEMS PAN PHIL 6-	18	18	18	24	24	24	6	6	24	24	24	24
35	35		9009813-00	SCREW,TAP PAN PHIL THD RL 10-	1	1	1	1	1	1	-	-	-	-	-	1
36	36	C-MD-7413350-0-0	7413350-01	SHIPPING BRKT,BLK	1	1	1	1	1	1	-	-	1	1	1	-
37	37	D-AD-7010721-0-0	7010721-03	BEZEL ASSY, RX01	1	1	1	-	-	-	-	-	-	-	-	-
38	38	D-AD-7010721-0-0	7010721-04	BEZEL ASSY, RX01	-	-	-	1	1	1	-	-	-	-	-	1
39	39	A-PS-3612408-0-0	3612408-00	/REPLACED-BY 30-18423-00	1	1	1	2	2	2	-	-	2	2	2	2
40	40	E-IA-7412666-0-0	7412666-00	COVER [RX8-A+B]	1	1	1	1	1	1	-	-	-	-	-	-
41	41	A-PS-1212157-0-0	1212157-00	SLIDE,CHASSIS,24"L W/18"EXT	1	1	1	1	1	1	-	-	1	1	1	-
42	42			*** THIS ITEM IS NOT USED ***	-	-	-	-	-	-	-	-	-	-	-	-
43	43	A-PL-7017035-0-0	7017035-00	HARDWARE KIT RX02	1	1	1	1	1	1	-	-	-	-	-	-
44	44	A-PL-7017035-0-0	7017035-02	HARDWARE KIT SLIDE	-	-	-	-	-	-	-	-	1	1	1	-
45	45	A-PL-7017035-0-0	7017035-03	*** THIS ITEM IS NOT USED ***	-	-	-	-	-	-	-	-	-	-	-	-
46	46	A-PL-7017035-0-0	7017035-04	HARDWARE KIT UL BRACKET	-	-	-	-	-	-	-	-	1	1	1	-
47	47			*** THIS ITEM IS NOT USED ***	-	-	-	-	-	-	-	-	-	-	-	-
48	48	A-SP-3700185-0-0	3700185-00	INSTR PKG DRIVE RX01-RX02	1	1	1	1	1	1	-	-	-	-	-	1
49	49	A-SP-3700185-0-0	3700185-01	INSTR PKG DISK RX01 WITHOUT CONS	-	-	-	-	-	-	-	-	1	1	1	-
50	50	A-SP-3700193-0-0	3700193-00	*** THIS ITEM IS NOT USED ***	-	-	-	-	-	-	-	-	-	-	-	-
51	51	A-SP-3700229-0-0	3700229-00	INSTR PKG DISK RX01-C,CA,CC	-	-	-	-	-	-	1	1	-	-	-	-
52	52	D-UA-BC05L-6-0	BC05L-06	*** THIS ITEM IS NOT USED ***	-	-	-	-	-	-	-	-	-	-	-	-
53	53			*** THIS ITEM IS NOT USED ***	-	-	-	-	-	-	-	-	-	-	-	-
54	54			*** THIS ITEM IS NOT USED ***	-	-	-	-	-	-	-	-	-	-	-	-
55	55			*** THIS ITEM IS NOT USED ***	-	-	-	-	-	-	-	-	-	-	-	-
56	56			*** THIS ITEM IS NOT USED ***	-	-	-	-	-	-	-	-	-	-	-	-
57	57			*** THIS ITEM IS NOT USED ***	-	-	-	-	-	-	-	-	-	-	-	-
58	58			*** THIS ITEM IS NOT USED ***	-	-	-	-	-	-	-	-	-	-	-	-
59	59			*** THIS ITEM IS NOT USED ***	-	-	-	-	-	-	-	-	-	-	-	-
60	63		9006565-00	NUT,HEX EXT TOOTH LCKWSHR 10-32	2	2	2	2	2	2	-	-	2	2	2	-
61	64		9007786-00	RETAINER,U-NUT 10-32X	5	5	5	5	5	5	-	1	1	1	-	-
62	65		9009700-00	SCREW,SEMS TRUSS PHIL 10-	15	15	15	15	15	15	-	-	11	11	11	-
63	66	D-UA-M7744-YC-0	M7744-YC	M7744 WITH FCC COMPLIANCE,HEX	1	1	1	1	1	1	-	-	1	1	1	1
64	67	D-UA-M7745-YA-0	M7745-YA	M7745 WITH FCC COMPLIANCE,HEX	1	1	1	1	1	1	-	-	1	1	1	1
65	68		3613211-00	DECAL,CLEAR PREPRINTED CSA 1-1/4	1	-	-	1	-	-	-	-	1	-	-	1

66 NOTE: ITEM 50 USED AS REQ'D FOR CUSTOMER SHIP ONLY.

D	I	G	I	T	A	L	TITLE	SECTION A OF B	SIZE	CODE	DOCUMENT NUMBER	REV
							RX02 FLOPPY DISK DRIVE ASSY		K	PL	RX02-0-DBP	H

LINE	ITEM	DOCUMENT NUMBER	PART NUMBER	DESCRIPTION	QUANTITY PER VARIATION									
					LC	LD	NA	NC	ND	VA	VC	VD	BE	BJ
1	1	D-IA-7010679-0-0	7010679-00	CHASSIS/HINGES	1	1	1	1	1	1	1	1	1	1
2	2	D-UA-M7744-0-0	M7744-00	*** THIS ITEM IS NOT USED ***	-	-	-	-	-	-	-	-	-	-
3	3	D-UA-M7745-0-0	M7745-00	*** THIS ITEM IS NOT USED ***	-	-	-	-	-	-	-	-	-	-
4	4	E-UA-H771-A-0	OH771-A	POW SUPPLY RX01 (RX11) 60HZ	-	-	1	-	-	1	-	-	1	-
5	5	E-UA-H771-C-0	OH771-C	RX01 SUP: +5V 5A, -5V 0.15A, +9.5V	1	-	-	1	-	-	1	-	-	-
6	6	E-UA-H771-D-0	OH771-D	RX01 SUP: +5V 5A, -5V 0.15A, +9.5V	-	1	-	-	1	-	-	1	-	1
7	7	E-UA-7013077-0-0		FLEXIBLE DISK DRIVE 60 HZ	-	-	1	-	-	1	-	-	2	-
8	8	E-UA-7013077-1-0	7013077-01	FLEXIBLE DRIVE ASSY (50HZ)	2	2	-	1	1	-	1	1	-	2
9	9	C-IA-7015580-0-0	7015580-0F	CABLE ASSY(M7744/M7745)	1	1	1	1	1	1	1	1	1	1
10	10	D-UA-BC05L-15-0	BC05L-15	DRX11-CA CONN CABLE,15FT	-	-	-	-	-	-	-	1	-	-
11	11	D-UA-BC05L-8-0	BC05L-08	CABLE JUMPER	-	-	-	-	-	1	1	1	-	-
12	12	E-UA-7015622-0-4	7015622-04	PLENUM FAN ASSY. 115 VAC	1	-	-	-	-	-	-	-	1	-
13	13	E-UA-7015622-0-5	7015622-05	PLENUM FAN ASSY. 230 VAC	-	1	-	-	-	-	-	-	-	1
14	14	E-UA-7015622-0-6	7015622-06	PLENUM FAN ASSY. 115 VAC	-	-	1	1	-	-	-	-	-	-
15	15	E-UA-7015622-0-7	7015622-07	PLENUM FAN ASSY. 230 VAC	-	-	-	-	1	-	-	-	-	-
16	16	A-PS-3617880-0-0	3617880-09	LABEL,FCC,NON-COMPLIANT	-	-	1	-	-	1	-	-	1	-
17	17	A-PS-3613210-0-0	3613210-00	LABEL, UL FOIL ADH BACK	1	1	1	1	1	1	1	1	1	1
18	18	A-PS-3612063-0-0	3612063-00	LABEL, ADHESIVE I.D. FOR UL C	1	1	1	1	1	1	1	1	1	1
19	19		9009120-02	STANDOFF,MALE/FEMALE HEX 6-32	2	2	2	2	2	2	2	2	2	2
20	20		9007604-00	SPACER,THREADED HEX ALUM 6-3	1	1	1	1	1	1	1	1	1	1
21	21	C-MD-7409479-0-0	7409479-00	PRESSURE PLATE	-	-	-	-	-	1	1	1	1	1
22	22		9107245-00	TUBING,EXTRUDED, .375ID UL	-	-	-	-	-	1	1	1	1	1
23	23		9007031-00	TIE,CABLE BUNDL DIA 0- 3/4"=101	-	-	1	1	1	1	1	1	-	-
24	24		9008341-00	CLIP,PVC HARNESS, DESK LASP,1"WID	2	2	2	2	2	2	2	2	2	2
25	25		9006023-01	*** THIS ITEM IS NOT USED ***	-	-	-	-	-	-	-	-	-	-
26	26		9006024-01	SCREW,MACH PAN PHIL 6-	2	2	2	2	2	2	2	2	2	2
27	27		9006039-01	SCREW,MACH PAN PHIL 8-	7	7	7	7	7	6	6	6	10	10
28	28		9007801-00	WASHER,HELICAL SPLIT SST	6	6	6	6	6	6	6	6	6	6
29	29		9006690-00	WASHER,HELICAL SPLIT SST	7	7	7	7	7	6	6	6	10	10
30	30		9006653-00	WASHER,FLAT STEEL	6	6	6	6	6	6	6	6	6	6

REVISION HISTORY			BASIC PART NO: ORX02		DRN: R.P.MORIN		DATE: 1-SEP-78		DIGITAL			
ENG	ECO NUMBER	REV	SECTION B OF B		CHK'D:	R.P.MORIN	DATE:	1-SEP-78	TITLE PARTS LIST			
M.H	RX02-ML005	D	SECTION VARIATION INDEX:		CHK'D:	R.P.MORIN	DATE:	1-SEP-78	RX02 FLOPPY DISK DRIVE ASSY			
M.H	RX02-ML007	E	[A] AA,AC,AD,BA,BC,BD,		DES.ENG.:	R.P.MORIN	DATE:	1-SEP-78	DOCUMENT NUMBER			
E.S	RX02-SH008	F	CA,CC,DA,DC,DD,LA		RESP.ENG.:	P.GLAVIN	DATE:	1-SEP-78	SIZE:	CODE:	NUMBER:	REV:
AR	RX02-SH009	H	[B] LC,LD,NA,NC,ND,VA,		MFG.ENG.:	M.DURHAM	DATE:	1-SEP-78	K	PL	RX02-0-DBP	H
			[C] VC,VD,BE,BJ		ASSEMBLY NUMBER:	#B-DD-RX02-0	TOP DOCUMENT NUMBER:		FILE NAME:		Z4269H.PLS	EDIT #
			[D]									8
			[E]									
			[F]									

"THIS DRAWING AND SPECIFICATIONS HEREIN, ARE THE PROPERTY OF DIGITAL EQUIPMENT CORPORATION AND SHALL NOT BE REPRODUCED OR COPIED OR USED IN WHOLE OR IN PART AS THE BASIS FOR THE MANUFACTURE OR SALE OF ITEMS WITHOUT WRITTEN PERMISSION. COPYRIGHT (C) 1983. DIGITAL EQUIPMENT CORPORATION "

LINE	ITEM	DOCUMENT NUMBER	PART NUMBER	DESCRIPTION	QUANTITY PER VARIATION										
					LC	LD	NA	NC	ND	VA	VC	VD	BE	BJ	
31	31		9006666-00	WASHER, FLAT SST	4	4	4	4	4	3	3	3	7	7	
32	32		9006558-00	NUT, HEX 6-32X .307AF CS/C	6	6	6	6	6	6	6	6	6	6	
33	33		3615996-01	LABEL, MAINTENANCE RX02	1	1	1	1	1	1	1	1	1	1	
34	34		9009984-02	SCREW, SEMS PAN PHIL 6-	24	24	18	18	18	18	18	18	24	24	
35	35		9009813-00	SCREW, TAP PAN PHIL THD RL 10-	1	1	1	1	1	-	-	-	1	1	
36	36	C-MD-7413350-0-0	7413350-01	SHIPPING BRKT, BLK	-	-	-	-	-	1	1	1	1	1	
37	37	D-AD-7010721-0-0	7010721-03	BEZEL ASSY. RX01	-	-	1	1	1	-	-	-	-	-	
38	38	D-AD-7010721-0-0	7010721-04	BEZEL ASSY. RX01	1	1	-	-	-	-	-	-	1	1	
39	39	A-PS-3612408-0-0	3612408-00	/REPLACED-BY 30-18423-00	2	2	1	1	1	1	1	1	2	2	
40	40	E-IA-7412666-0-0	7412666-00	COVER [RX8-A+B]	-	-	-	-	-	-	-	-	1	1	
41	41	A-PS-1212157-0-0	1212157-00	SLIDE, CHASSIS, 24"L W/18"EXT	-	-	-	-	-	-	-	-	1	1	
42	42	BLANK		*** THIS ITEM IS NOT USED ***	-	-	-	-	-	-	-	-	-	-	
43	43	A-PL-7017035-0-0	7017035-00	HARDWARE KIT RX02	-	-	-	-	-	-	-	-	1	1	
44	44	A-PL-7017035-0-0	7017035-02	*** THIS ITEM IS NOT USED ***	-	-	-	-	-	-	-	-	-	-	
45	45	A-PL-7017035-0-0	7017035-03	*** THIS ITEM IS NOT USED ***	-	-	-	-	-	-	-	-	-	-	
46	46	A-PL-7017035-0-0	7017035-04	HARDWARE KIT UL BRACKET	-	-	-	-	-	1	1	1	-	-	
47	47	BLANK		*** THIS ITEM IS NOT USED ***	-	-	-	-	-	-	-	-	-	-	
48	48	A-SP-3700185-0-0	3700185-00	INSTR PKG DRIVE RX01-RX02	1	1	1	1	1	-	-	-	1	1	
49	49	A-SP-3700185-0-0	3700185-01	INSTR PKG DISK RX01 WITHOUT CONS	-	-	-	-	-	1	1	1	-	-	
50	50	A-SP-3700193-0-0	3700193-00	*** THIS ITEM IS NOT USED ***	-	-	-	-	-	-	-	-	-	-	
51	51	A-SP-3700229-0-0	3700229-00	*** THIS ITEM IS NOT USED ***	-	-	-	-	-	-	-	-	-	-	
52	52	D-UA-BC05L-6-0	BC05L-06	CABLE BCV1A-06, ETC 6 FEET	-	-	-	-	-	-	-	-	1	1	
53	53	BLANK		*** THIS ITEM IS NOT USED ***	-	-	-	-	-	-	-	-	-	-	
54	54	BLANK		*** THIS ITEM IS NOT USED ***	-	-	-	-	-	-	-	-	-	-	
55	55	BLANK		*** THIS ITEM IS NOT USED ***	-	-	-	-	-	-	-	-	-	-	
56	56	BLANK		*** THIS ITEM IS NOT USED ***	-	-	-	-	-	-	-	-	-	-	
57	57	BLANK		*** THIS ITEM IS NOT USED ***	-	-	-	-	-	-	-	-	-	-	
58	58	BLANK		*** THIS ITEM IS NOT USED ***	-	-	-	-	-	-	-	-	-	-	
59	59	BLANK		*** THIS ITEM IS NOT USED ***	-	-	-	-	-	-	-	-	-	-	
60	63		9006565-00	NUT, HEX EXT TOOTH LCKWSHR 10-32	-	-	-	-	-	-	-	-	2	2	
61	64		9007786-00	RETAINER, U-NUT 10-32X	-	-	-	-	-	1	1	1	5	-	
62	65		9009700-00	SCREW, SEMS TRUSS PHIL 10-	-	-	-	-	-	1	1	1	15	15	
63	66	D-UA-M7744-YC-0	M7744-YC	M7744 WITH FCC COMPLIANCE, HEX	1	1	1	1	1	1	1	1	1	1	
64	67	D-UA-M7745-YA-0	M7745-YA	M7745 WITH FCC COMPLIANCE, HEX	1	1	1	1	1	1	1	1	1	1	
65	68		3613211-00	*** THIS ITEM IS NOT USED ***	-	-	-	-	-	-	-	-	-	-	

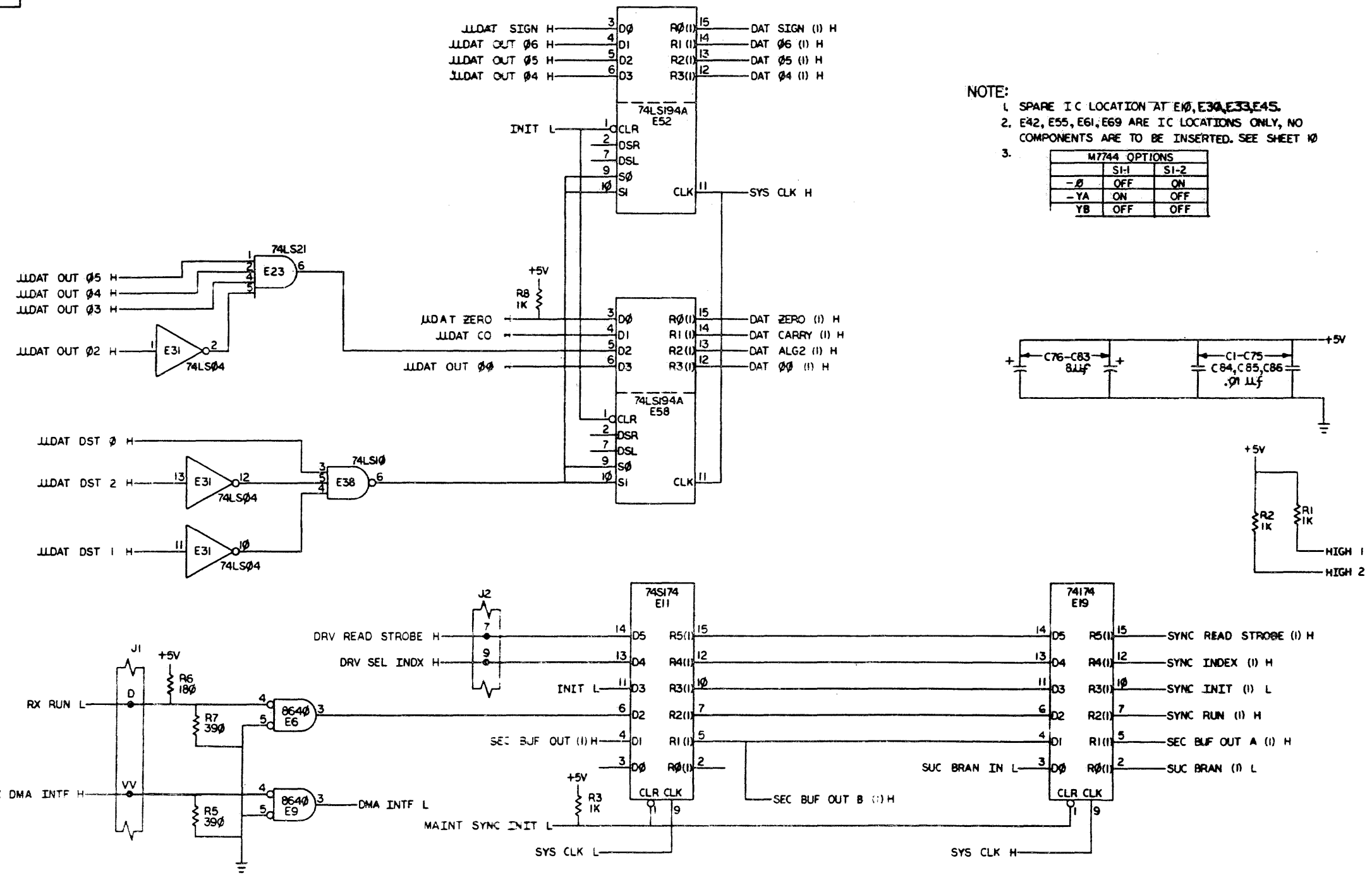
66 NOTE: ITEM 50 USED AS REQ'D FOR CUSTOMER SHIP ONLY.

D	I	G	I	T	A	L	TITLE	SECTION B OF B	SIZE	CODE	DOCUMENT NUMBER	REV
							RX02 FLOPPY DISK DRIVE ASSY		K	PL	RX02-0-DBP	H



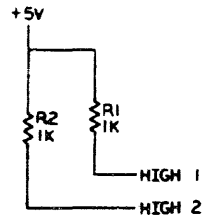
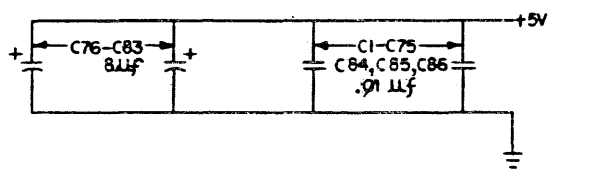
THIS DRAWING AND SPECIFICATIONS HEREON ARE THE PROPERTY OF DIGITAL EQUIPMENT CORPORATION AND SHALL NOT BE REPRODUCED OR COPIED OR USED IN WHOLE OR IN PART AS THE BASIS FOR THE MANUFACTURE OR SALE OF PRODUCTS WITHOUT WRITTEN PERMISSION.  
 COPYRIGHT © 1982, DIGITAL EQUIPMENT CORPORATION

M7744-YC-1 2



NOTE:  
 1. SPARE I.C. LOCATION AT E10, E30, E33, E45.  
 2. E42, E55, E61, E69 ARE I.C. LOCATIONS ONLY, NO COMPONENTS ARE TO BE INSERTED. SEE SHEET 10.  
 3.

M7744 OPTIONS		
	SI-1	SI-2
-B	OFF	ON
-YA	ON	OFF
YB	OFF	OFF

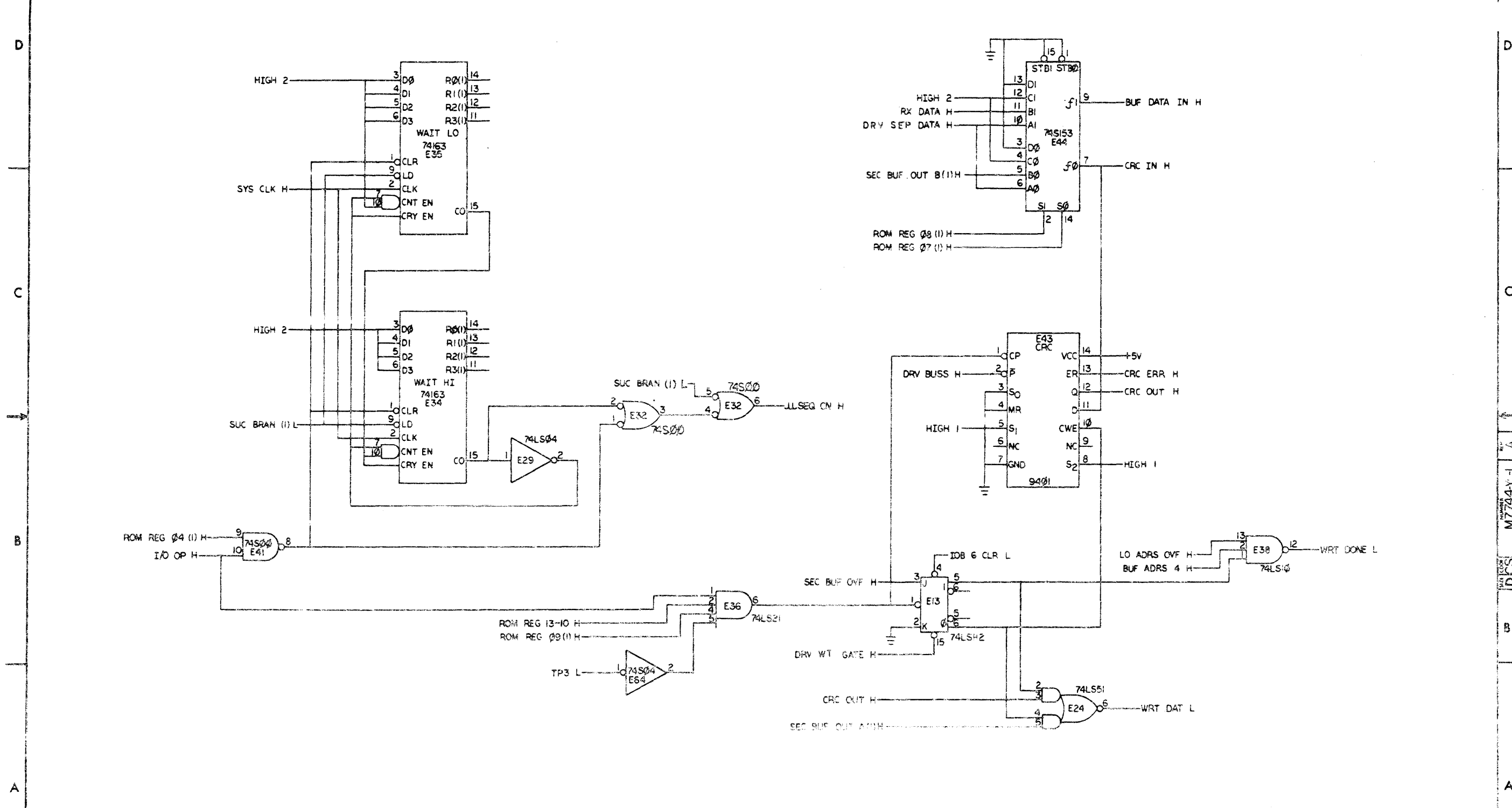


REV.	CHG.	NO.	DATE	BY
A				

DRN: <i>[Signature]</i>	FIRST USED ON: RX02	DIGITAL
CHK: <i>[Signature]</i>	DATE: 2/3/82	
PROJ. ENG: <i>[Signature]</i>	DATE: 2/3/82	TITLE: RX02 FLOPPY DISK CONTROLLER
PROJ. MGR: <i>[Signature]</i>	DATE: 2/3/82	
SCALE: 1 OF 10	SIZE: D	NUMBER: M7744-YC-1
SHEET: 1 OF 10	DIST.	REV: A

ML21

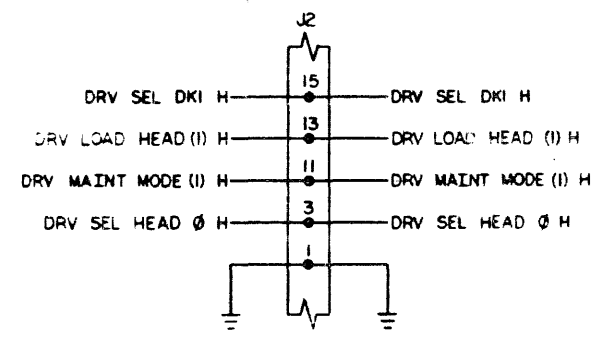
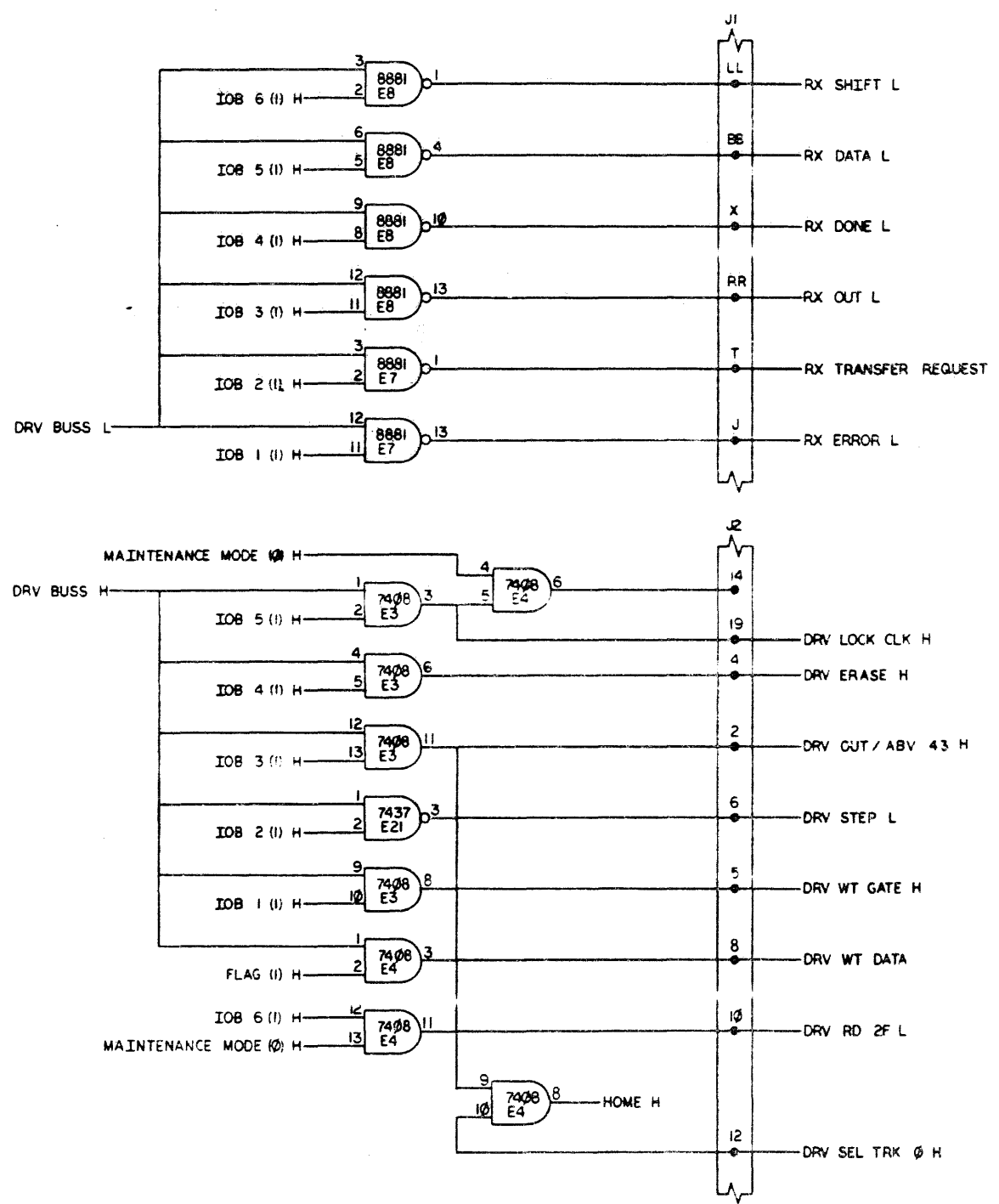
THIS DIAGRAM AND SPECIFICATIONS HEREIN ARE THE PROPERTY OF DIGITAL EQUIPMENT CORPORATION AND SHALL NOT BE REPRODUCED OR COPIED OR USED IN WHOLE OR IN PART AS THE BASIS FOR THE MANUFACTURE OR SALE OF ITEMS WITHOUT WRITTEN PERMISSION. COPYRIGHT © 1982 DIGITAL EQUIPMENT CORPORATION



REVISIONS		
CHK	CHANGE NO	REV

M7744-1-G1

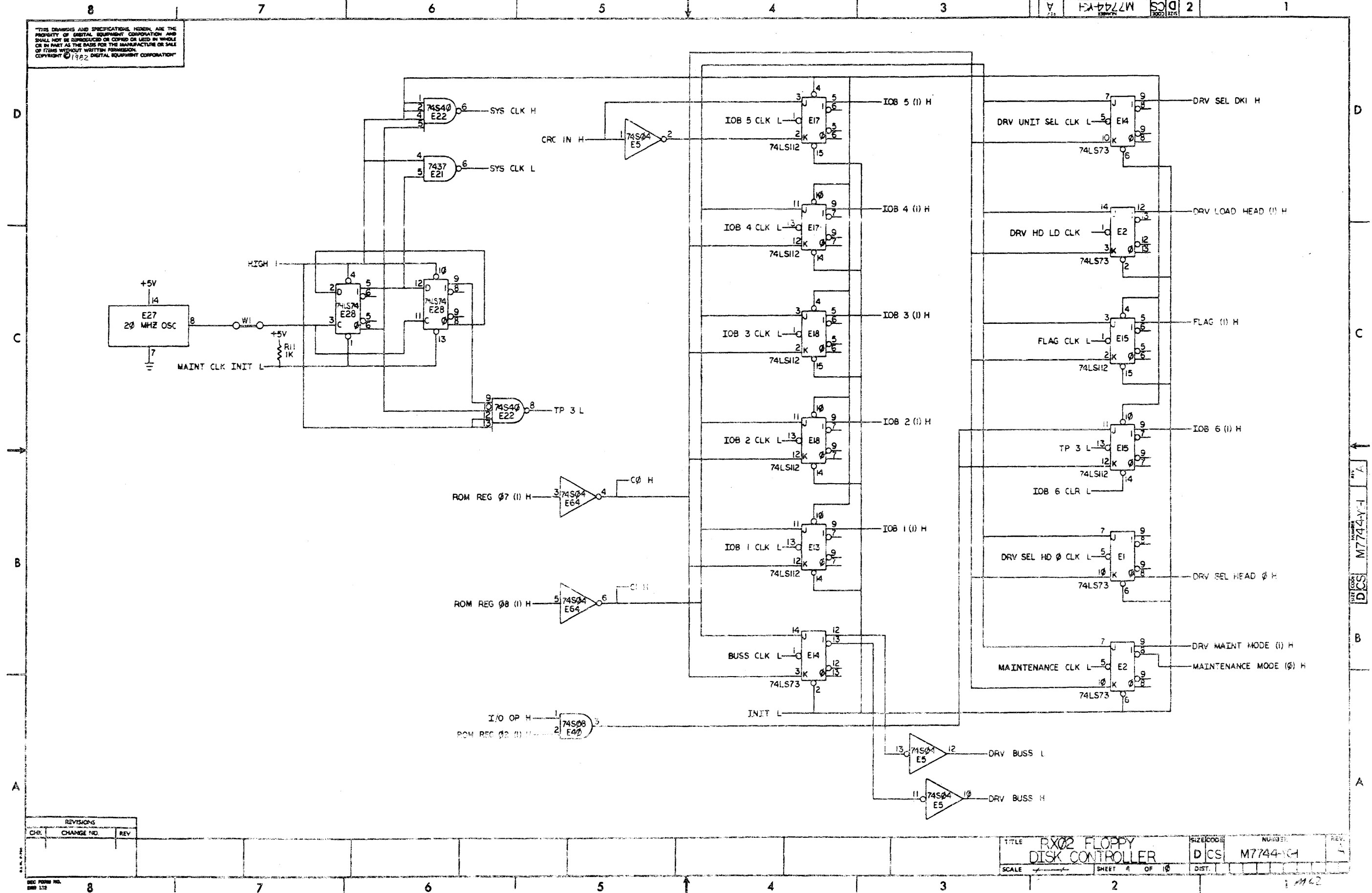
THIS DRAWING AND SPECIFICATIONS HEREIN ARE THE PROPERTY OF DIGITAL EQUIPMENT CORPORATION AND SHALL NOT BE REPRODUCED OR COPIED OR USED IN WHOLE OR IN PART AS THE BASIS FOR THE MANUFACTURE OR SALE OF ITEMS WITHOUT WRITTEN PERMISSION. COPYRIGHT © 1974 DIGITAL EQUIPMENT CORPORATION



REVISIONS		
CHK	CHANGE NO.	REV.

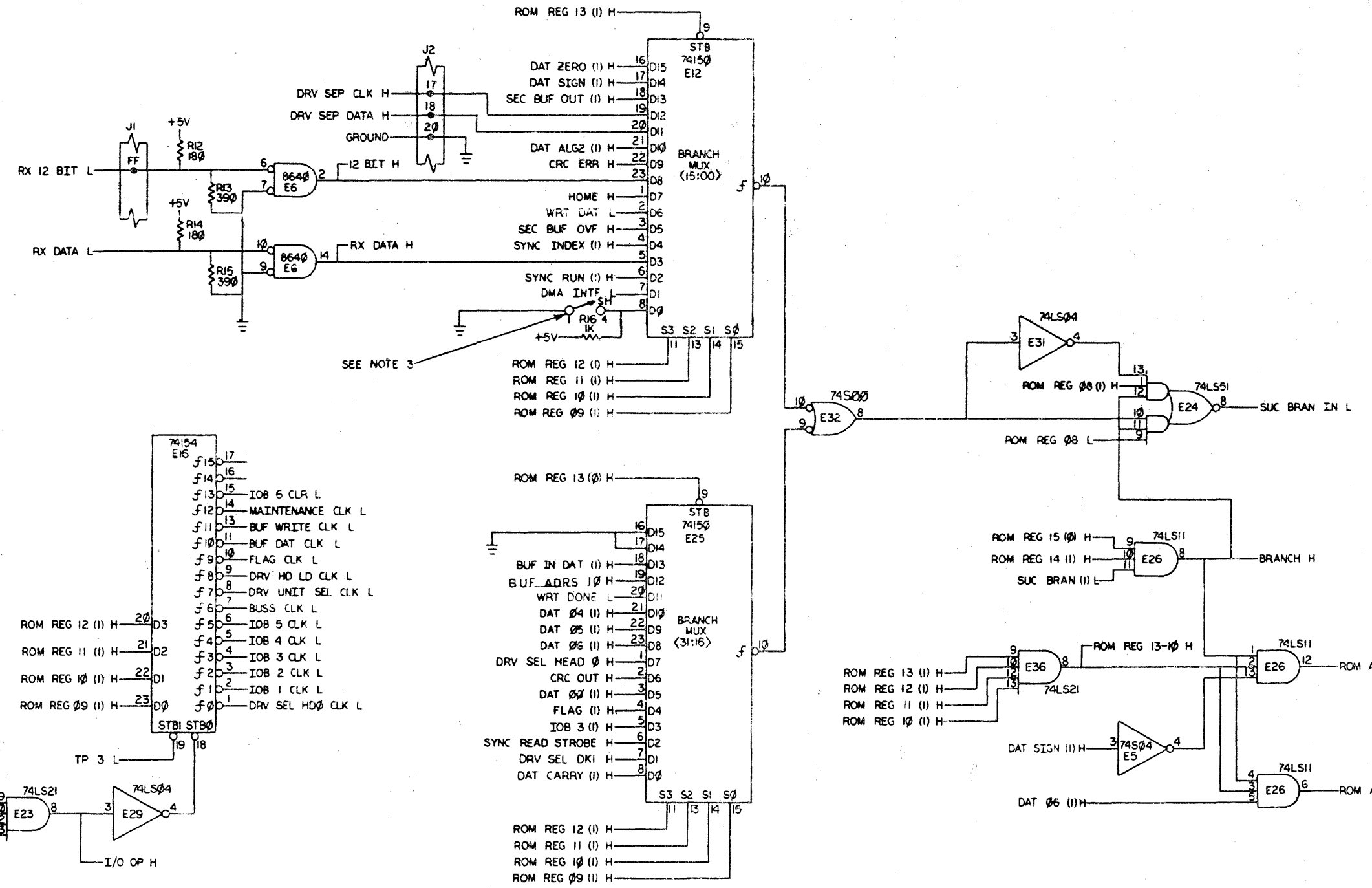
DCS M7744-1-1  
 NUMBER M7744-1-1  
 REV. A

THIS DRAWING AND SPECIFICATIONS HEREIN ARE THE PROPERTY OF DIGITAL EQUIPMENT CORPORATION AND SHALL NOT BE REPRODUCED OR COPIED OR USED IN WHOLE OR IN PART AS THE BASIS FOR THE MANUFACTURE OR SALE OF ITEMS WITHOUT WRITTEN PERMISSION. COPYRIGHT © 1982 DIGITAL EQUIPMENT CORPORATION



REVISIONS		
CHR.	CHANGE NO.	REV.

"THE DRAWINGS AND SPECIFICATIONS HEREIN ARE THE PROPERTY OF DIGITAL EQUIPMENT CORPORATION AND SHALL NOT BE REPRODUCED OR COPIED IN WHOLE OR IN PART AS THE BASIS FOR THE MANUFACTURE OR SALE OF ITEMS WITHOUT WRITTEN PERMISSION. COPYRIGHT © 1982 DIGITAL EQUIPMENT CORPORATION"

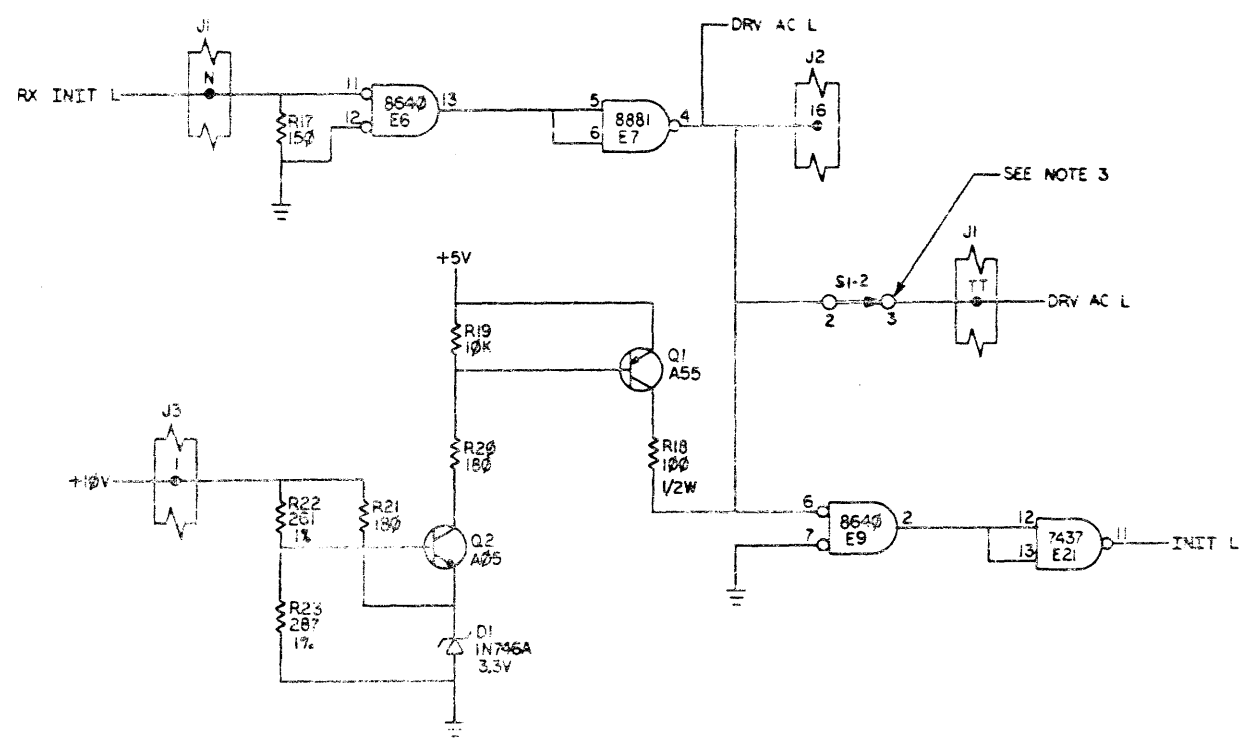
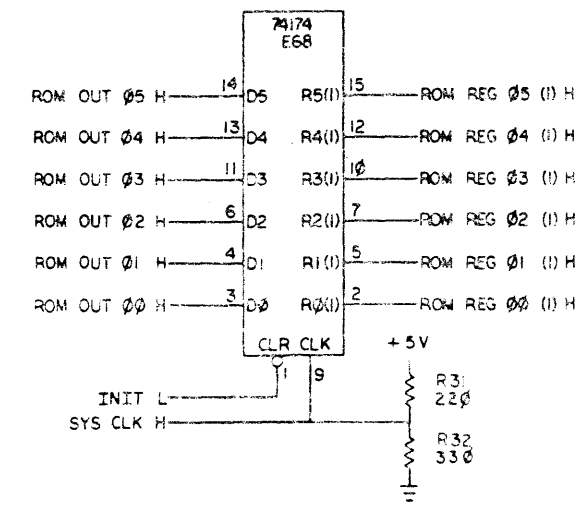
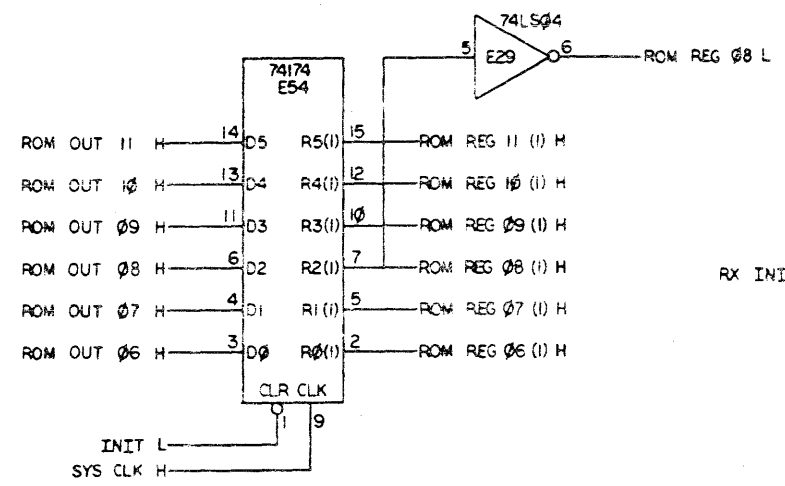
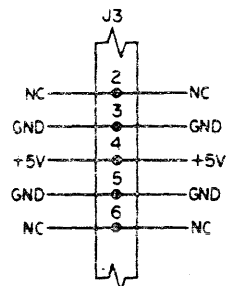
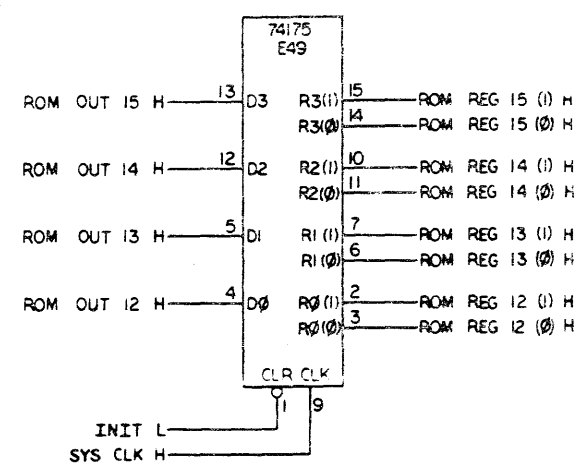


D  
C  
B  
A

D  
C  
B  
A

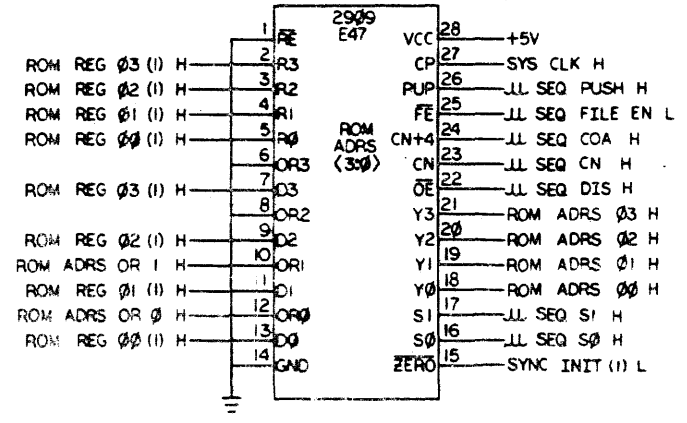
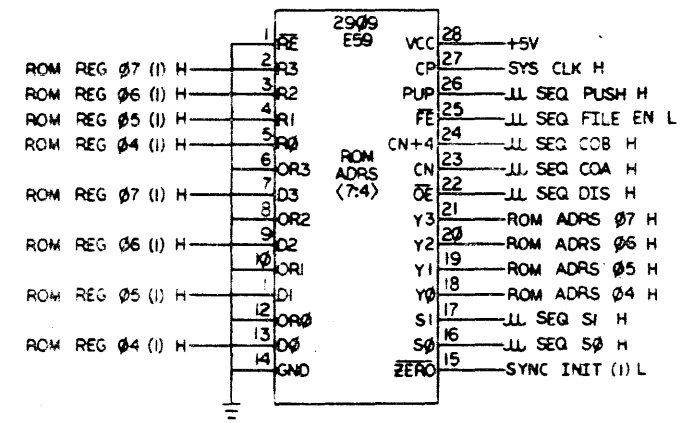
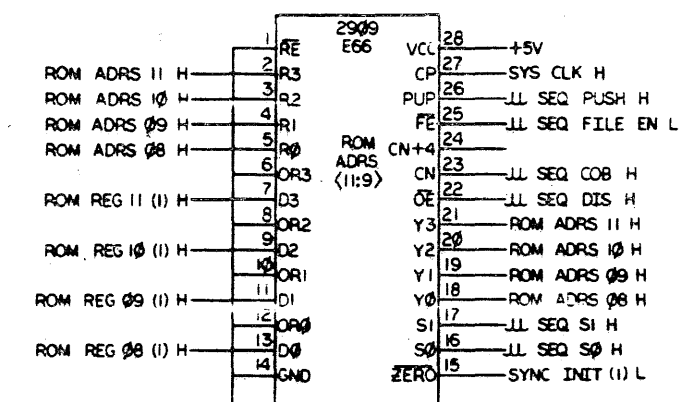
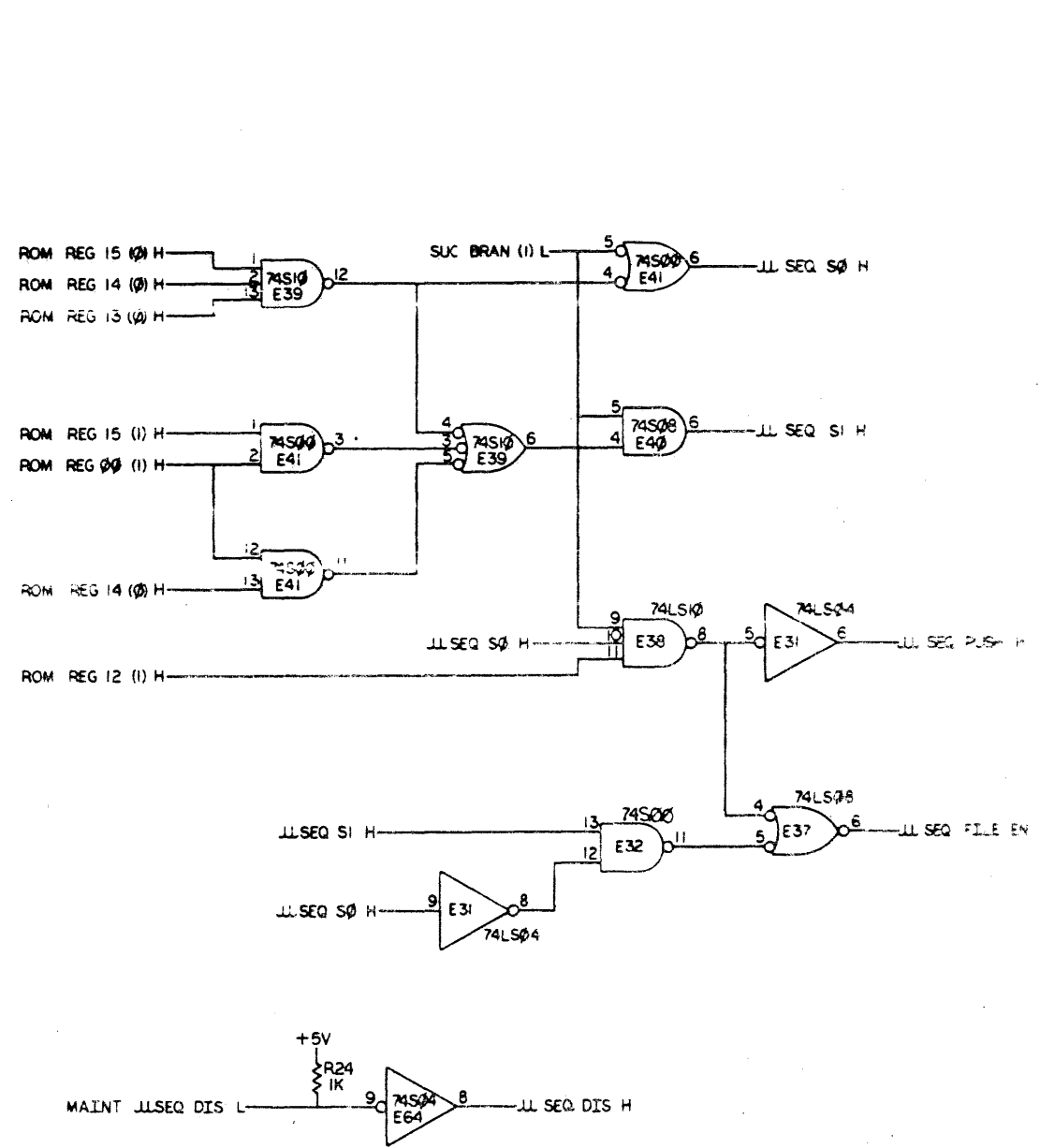
REVISIONS		
CHK	CHANGE NO.	REV.

THIS DRAWING AND SPECIFICATIONS HEREIN ARE THE PROPERTY OF DIGITAL EQUIPMENT CORPORATION AND SHALL NOT BE REPRODUCED OR COPIED OR USED IN WHOLE OR IN PART AS THE BASIS FOR THE MANUFACTURE OR SALE OF ITEMS WITHOUT WRITTEN PERMISSION. COPYRIGHT © 1982 DIGITAL EQUIPMENT CORPORATION



REV. S. CHG.		
CHK	CHANGE NO.	REV.

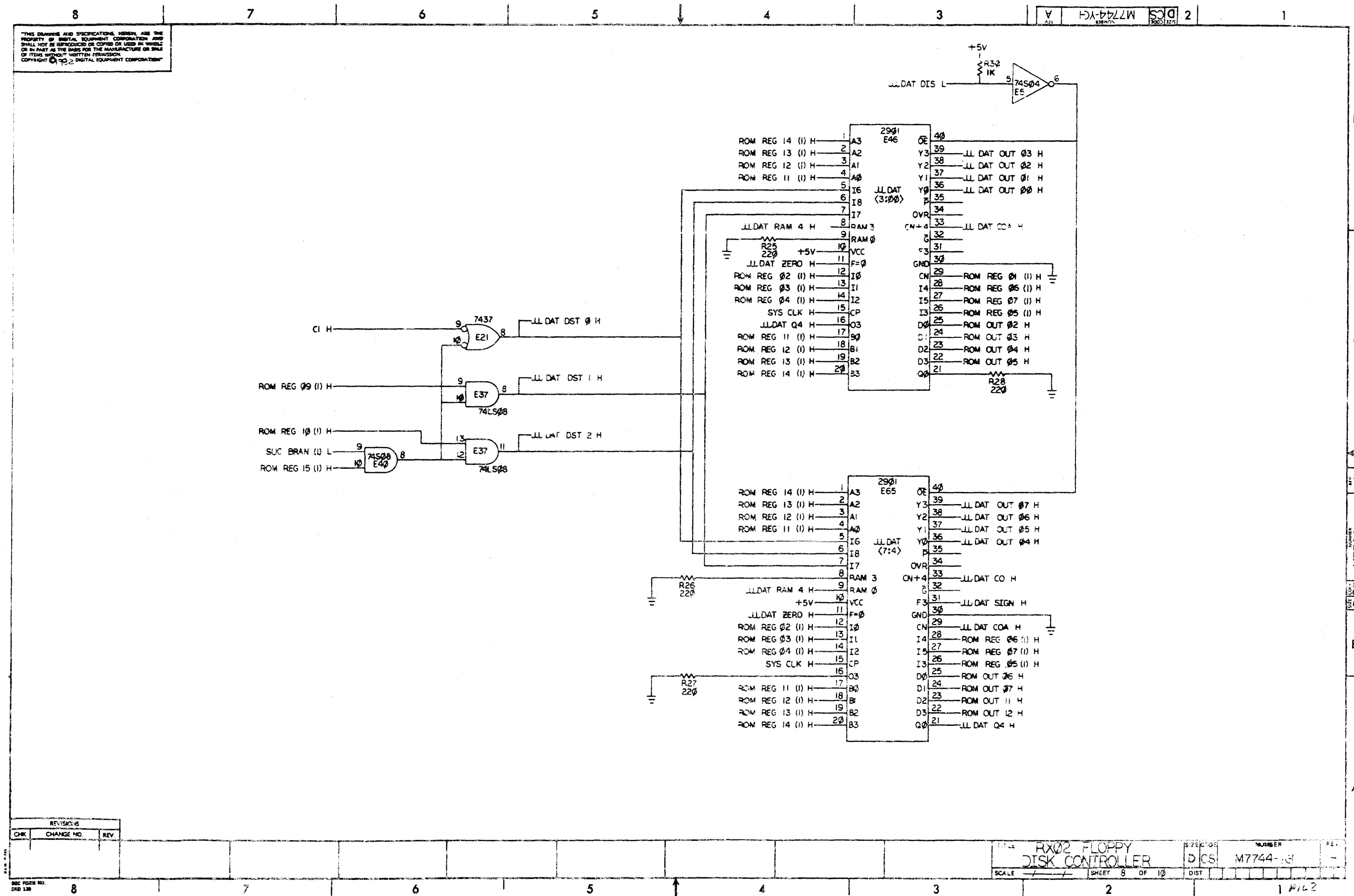
"THE DRAWING AND SPECIFICATIONS HEREIN ARE THE PROPERTY OF DIGITAL EQUIPMENT CORPORATION AND SHALL NOT BE REPRODUCED OR COPIED OR USED IN WHOLE OR IN PART AS THE BASIS FOR THE MANUFACTURE OR SALE OF ITEMS WITHOUT WRITTEN PERMISSION. COPYRIGHT © 1982 DIGITAL EQUIPMENT CORPORATION"



REVISIONS		
CHK	CHANGE NO	REV

TITLE	RX02 FLOPPY DISK CONTROLLER	SIZE CODE	DCS	NUMBER	M7744-YH	REV	-
SCALE		SHEET	7 OF 10	DIST.			

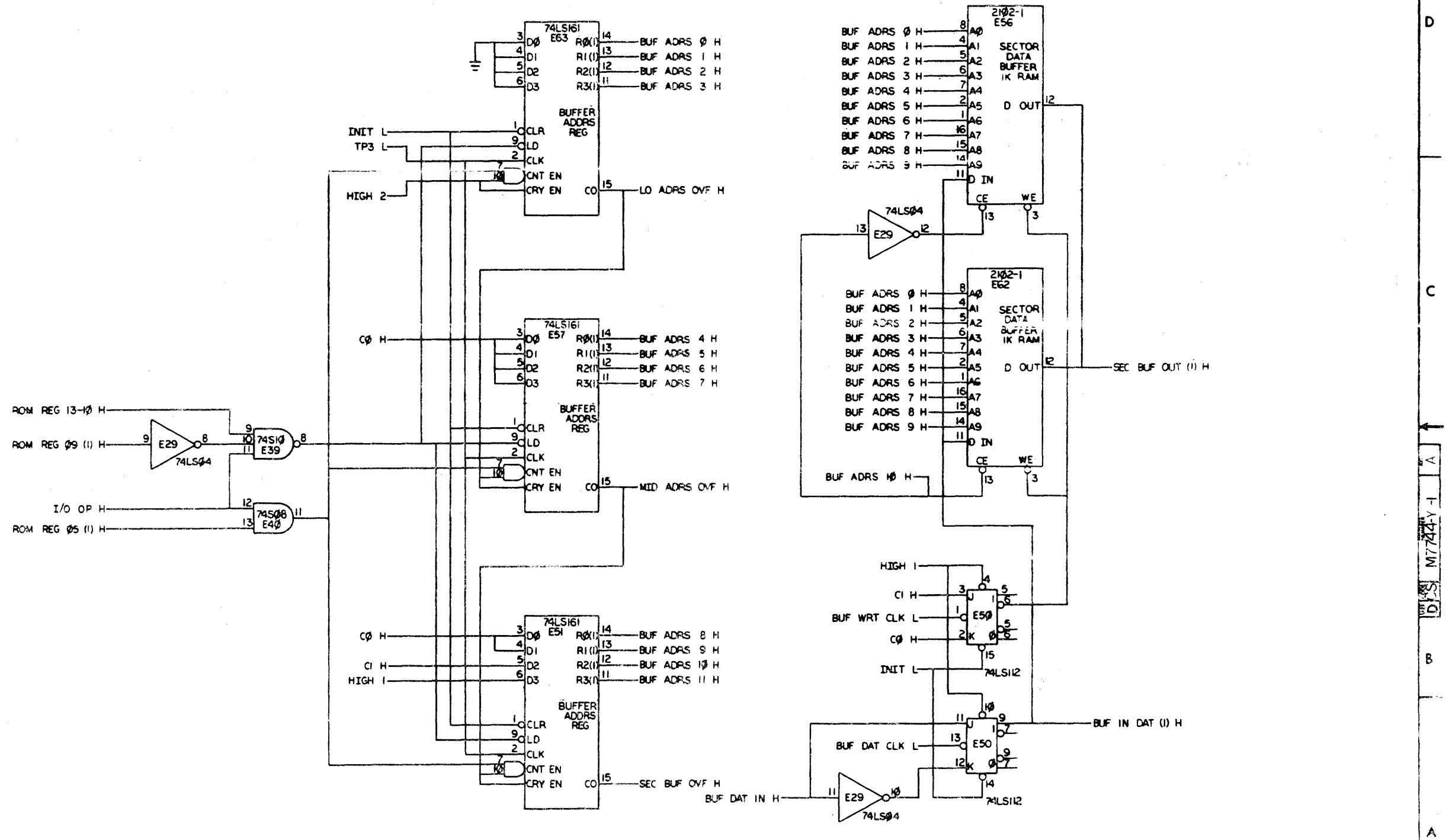
THIS DRAWING AND SPECIFICATIONS HEREIN ARE THE PROPERTY OF DIGITAL EQUIPMENT CORPORATION AND SHALL NOT BE REPRODUCED OR COPIED OR USED IN WHOLE OR IN PART AS THE BASIS FOR THE MANUFACTURE OR SALE OF ITEMS WITHOUT WRITTEN PERMISSION. COPYRIGHT © 1972 DIGITAL EQUIPMENT CORPORATION.



REVISIONS		
CHK	CHANGE NO.	REV

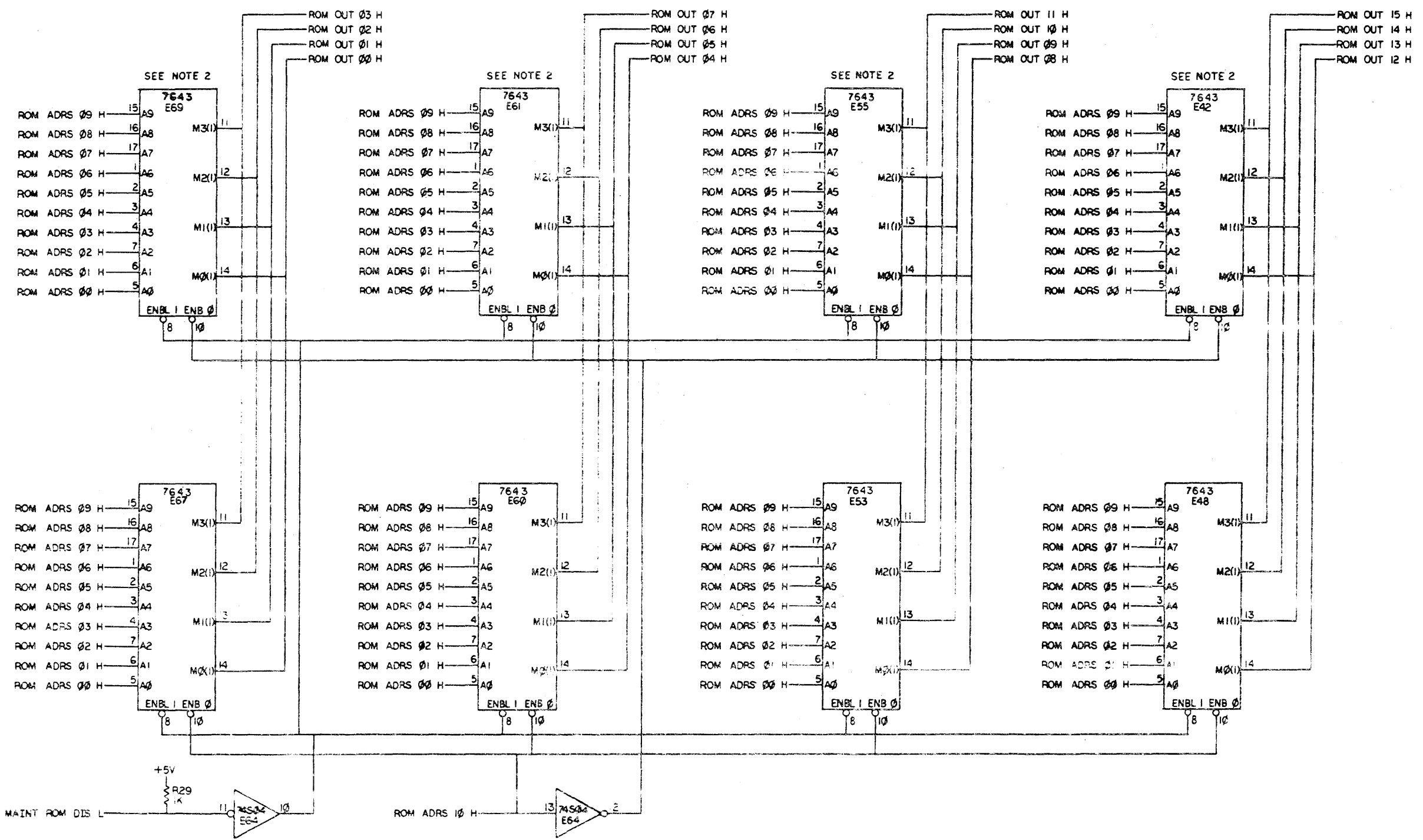


THIS DRAWING AND SPECIFICATIONS HEREIN ARE THE PROPERTY OF DIGITAL EQUIPMENT CORPORATION AND SHALL NOT BE REPRODUCED OR COPIED OR USED IN WHOLE OR IN PART AS THE BASIS FOR THE MANUFACTURE OR SALE OF ITEMS WITHOUT WRITTEN PERMISSION. COPYRIGHT © 1982 DIGITAL EQUIPMENT CORPORATION



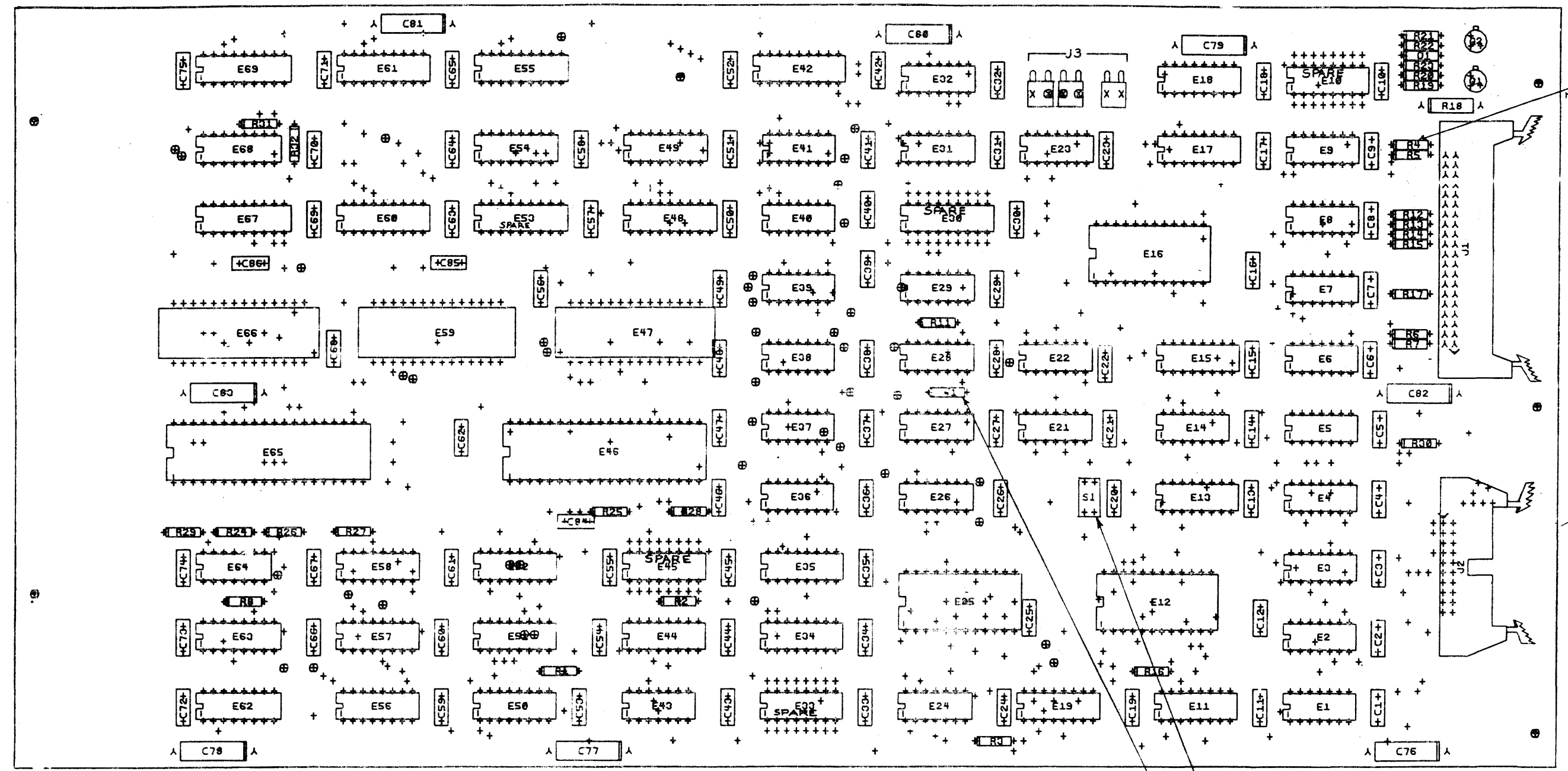
REVISIONS		
CHK	CHANGE NO.	REV

THIS DRAWING AND SPECIFICATIONS HEREIN ARE THE PROPERTY OF DIGITAL EQUIPMENT CORPORATION AND SHALL NOT BE REPRODUCED OR COPIED OR USED IN WHOLE OR IN PART AS THE BASIS FOR THE MANUFACTURE OR SALE OF ITEMS WITHOUT WRITTEN PERMISSION. COPYRIGHT © 1982 DIGITAL EQUIPMENT CORPORATION



REVISIONS		
CHK	CHANGE NO.	REV.

COMPONENT SIDE VIEW



SEE NOTE 3

SEE TABLE A  
 SEE NOTE 1

TABLE A

BOARD VERSION	SWITCH 1	POS. 2
-0	OFF	ON
-YA	ON	OFF
-YB	OFF	OFF

- NOTES:
1. W1 INSERTED AFTER GR TEST
  2. IC'S ARE TO BE INSERTED IN LOCATIONS E42, E55, E61 AND E69.
  3. R4 IS A SPARE RES.

CHANGE NO. REV.  
 11/1/78  
 11/1/78  
 11/1/78

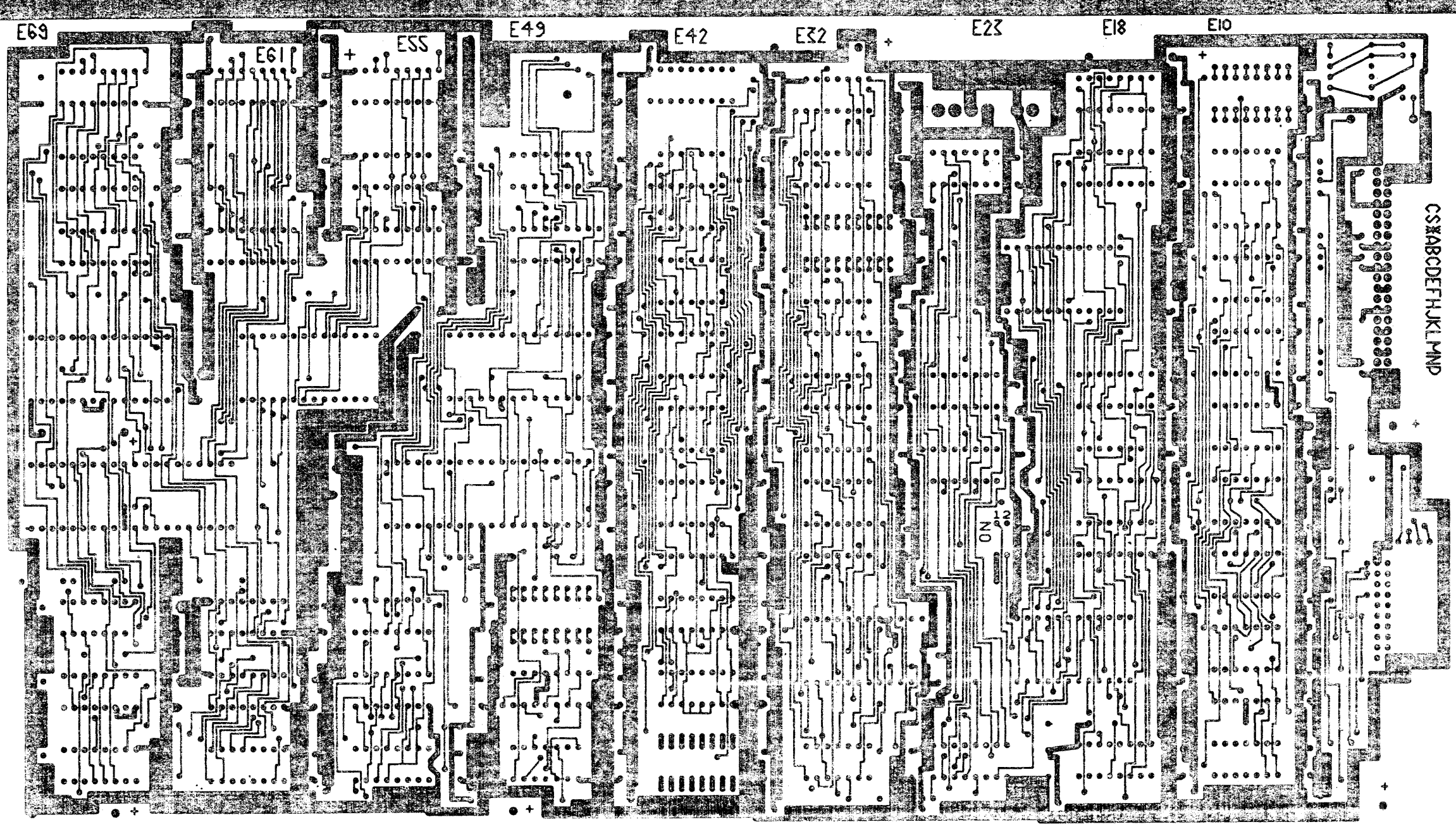
ETCH REV. D-F1  
 P.C. DESIGN DATA BASE REV. D

SIGNATURES		DATE	digital
DRN. <i>R. J. [Signature]</i>		11/1/78	
CHK'D. <i>[Signature]</i>		11/1/78	
ENG. <i>[Signature]</i>		11/1/78	
PROJ. ENG. <i>[Signature]</i>		11/1/78	
PROD. <i>[Signature]</i>		11/1/78	
SCALE 2/1			
SHT. 1 OF 3			
NEXT HIGHER ASSY. <i>[Signature]</i>			
SIZE CODE	NUMBER	REV	
0	UA M7744-YC0	A	

2 DUA M7744-YC-0

THIS DRAWING AND SPECIFICATIONS HEREIN ARE THE PROPERTY OF DIGITAL EQUIPMENT CORPORATION AND SHALL NOT BE REPRODUCED OR COPIED OR USED IN WHOLE OR IN PART AS THE BASIS FOR THE MANUFACTURE OR SALE OF ITEMS WITHOUT WRITTEN PERMISSION. COPYRIGHT © 1972 DIGITAL EQUIPMENT CORPORATION

L1 SIDE 1 M7744 5012891 D-P1



SIDE 1

DUA M7744-YC-0

REVISIONS		
CHK	CHANGE NO.	REV.

TITLE	RX02 FLOPPY DISK CONTROLLER	SIZE CODE	DUA	NUMBER	M7744-YC-0	REV.	A
SCALE	2/1	SHEET	2	OF	3	DIST.	

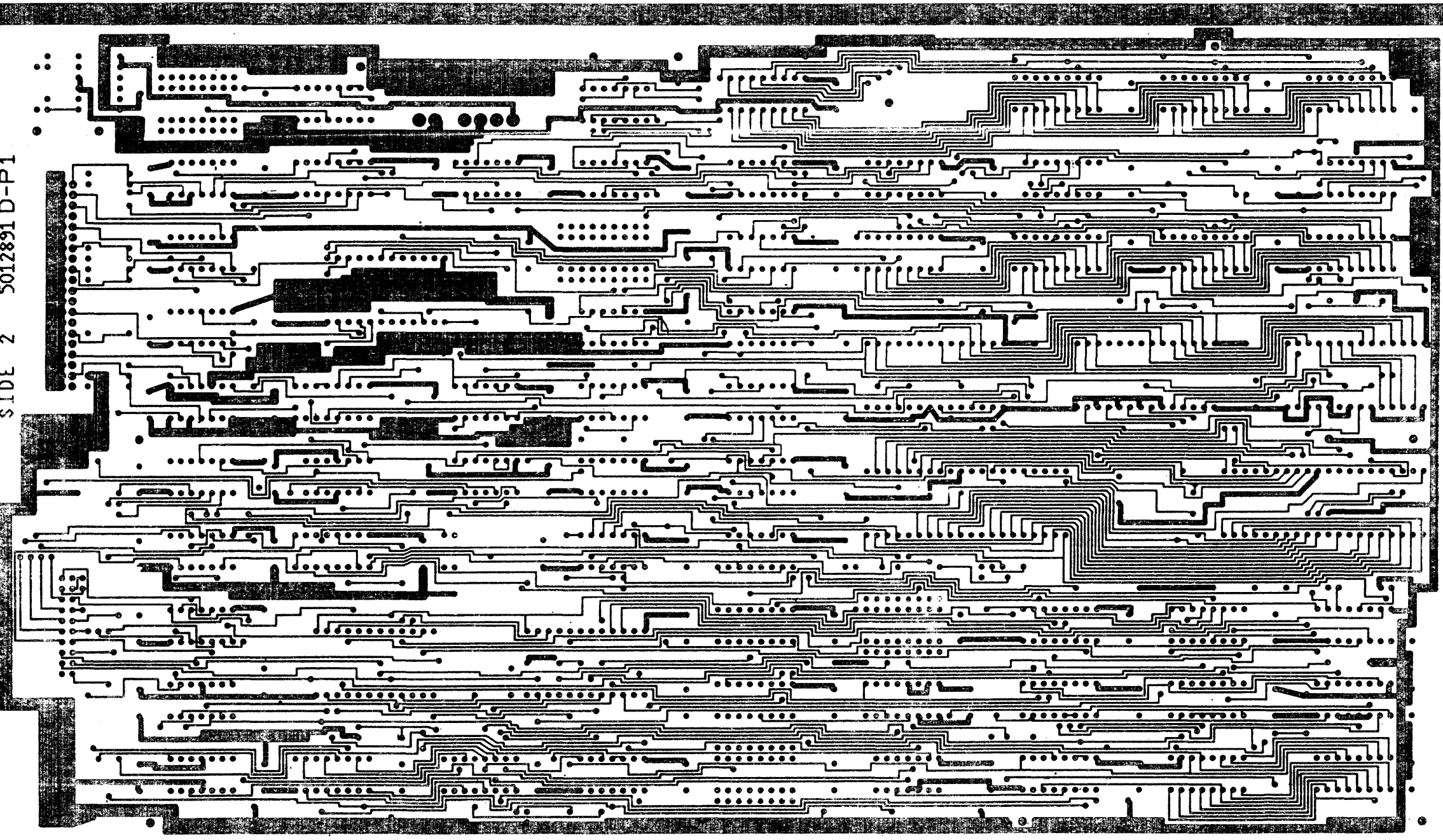
THIS DRAWING AND SPECIFICATIONS HEREIN ARE THE PROPERTY OF DIGITAL EQUIPMENT CORPORATION AND SHALL NOT BE REPRODUCED OR COPIED OR USED IN WHOLE OR IN PART AS THE BASIS FOR THE MANUFACTURE OR SALE OF ITEMS WITHOUT WRITTEN PERMISSION. COPYRIGHT © 1982 DIGITAL EQUIPMENT CORPORATION

SIZE CODE NUMBER  
DUA M7744-Y-0 2

L2

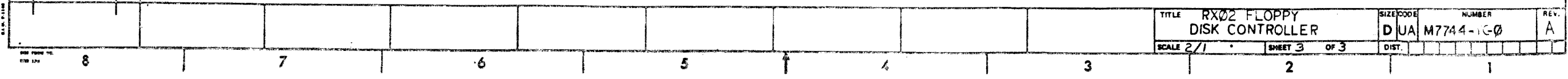
M7744  
SIDE 2 5012891 D-P1

RX02 FLOPPY DISK CONTROLLER



REVISIONS		
CHK	CHANGE NO.	REV.

TITLE	RX02 FLOPPY DISK CONTROLLER	SIZE/CODE	DUA M7744-Y-0	NUMBER	M7744-Y-0	REV.	A
SCALE	2/1	SHEET	3	OF	3	DIST.	





LINE	ITEM	DOCUMENT NUMBER	PART NUMBER	DESCRIPTION	QTY	PER VARIATION	REFERENCE DESIGNATOR
					YC		
1	1	B-CB-M7744-YC-1		CIRCUIT SCHEMATIC			REF
2	2	B-UA-M7744-YC-0		UNIT ASSY			REF
3	3	B-DB-M7744-YC		DRAWING DIRECTORY			REF
4	4	B-MD-5012891-0-0		DRILL AND ETCH DWG.			REF
5	5		5012891-00	RX02 FLOPPY DISC CONTROLLER			1
6	6		1001610-00	.01 MFD 50V +80-20% Z5U CER	78		C1-C75,C84-C86
7	7		1012084-01	8 MFD 25V +75-10% AL EL	8		C76-C83
8	8		1104860-00	1N 746A VZ= 3.3 5%	1		B1
9	9		1209941-02	PCB,HEADER 40PIN(2X20),100CC 90D	1		J1
10	10		1209941-03	PCB,HEADER LATCH	2		
11	11		1209941-04	PCB,HEADER LATCH	2		
12	12		1209941-04	PCB,HEADER 20PIN(2X20),100CC 90D	1		
13	13		1212204-00	PCB HEADER 02PIN(1X02),156CC 90D	1		J2
14	14		1300228-00	100.0 .50 W 5.0 Z CC	1		R18
15	15		1300250-00	150.0 .25 W 5.0 Z CC	1		R17
16	16		1300271-00	220.0 .25 W 5.0 Z CC	5		R25-R28,R31
17	17		1300295-00	330.0 .25 W 5.0 Z CC	1		R32
18	18		1300309-00	390.0 .25 W 5.0 Z CC	4		R5,R7,R13,R15
19	19		1300365-00	1.0 K .25 W 5.0 Z CC	9		R1-R3,R8,R11,R16,R24,R29,R30
20	20		1300479-00	10.0 K .25 W 5.0 Z CC	1		R19
21	21		1301322-00	180.0 .25 W 5.0 Z CC	5		R6,R12,R14,R20,R21
22	22		1302873-00	261.0 .25 W 1.0 Z RN55D-F10	1		R22
23	23		1305124-00	287.0 .25 W 1.0 Z RN55D-F10	1		R23
24	24		1510705-00	XA 05 NPN 500MW SI 60 50 P	1		Q2
25	25		1510706-00	XA 55 PNP 500MW SI 60 50 P	1		Q1
26	26		1811660-00	OSCILLATOR, XTAL 20.000 MHZ	1		E27
27	27		1909701-00	74154 1 OF 16,BINA	1		E16
28	28		1909705-00	DEC 8981 NAND GATE-QUAD 2IN 0	2		E7,E8
29	29		1910091-00	DEC 7437 AND GATE-QUAD 2IN,BU	1		E21
30	30		1910153-00	DEC 74130 NUX 1 OF 16	2		E12,E25

REVISION HISTORY		BASIC PART NO: M7744		DRN: LINDA PETERSON		DATE: 07-JUN-82		DIGITAL	
ENGR	ECO NUMBER	REV	SECTION A OF A	CHK'D:	MARC HILDEBRANT	DATE:	07-JUN-82	TITLE	PARTS LIST
MH	M7744YC-ML001	A	SECTION VARIATION INDEX	CHK'D:	MARC HILDEBRANT	DATE:	07-JUN-82	TITLE	RX02 FLOPPY DISK CONTROLLER
			[A] YC	DES.ENG:	MARC HILDEBRANT	DATE:	07-JUN-82	DOCUMENT NUMBER	
			[B]					SIZE CODE NUMBER REV	
			[C]	INFG.ENG.:	MARC HILDEBRANT	DATE:	07-JUN-82	K PL M7744-YC-DBP	A
			[D]					ASSEMBLY NUMBER:	TOP DOCUMENT NUMBER:
			[E]					FILE NAME:	Z4405A.PLS
			[F]					EDIT #:	2
			[G]						
			[H]						
			[I]						
			[J]						
			[K]						
			[L]						
			[M]						
			[N]						
			[O]						

\*THIS DRAWING AND SPECIFICATIONS HEREIN, ARE THE PROPERTY OF DIGITAL EQUIPMENT CORPORATION AND SHALL NOT BE REPRODUCED OR COPIED OR USED IN WHOLE OR IN PART AS THE BASIS FOR THE MANUFACTURE OR SALE OF ITEMS WITHOUT WRITTEN PERMISSION. COPYRIGHT (C) 1982. DIGITAL EQUIPMENT CORPORATION \*

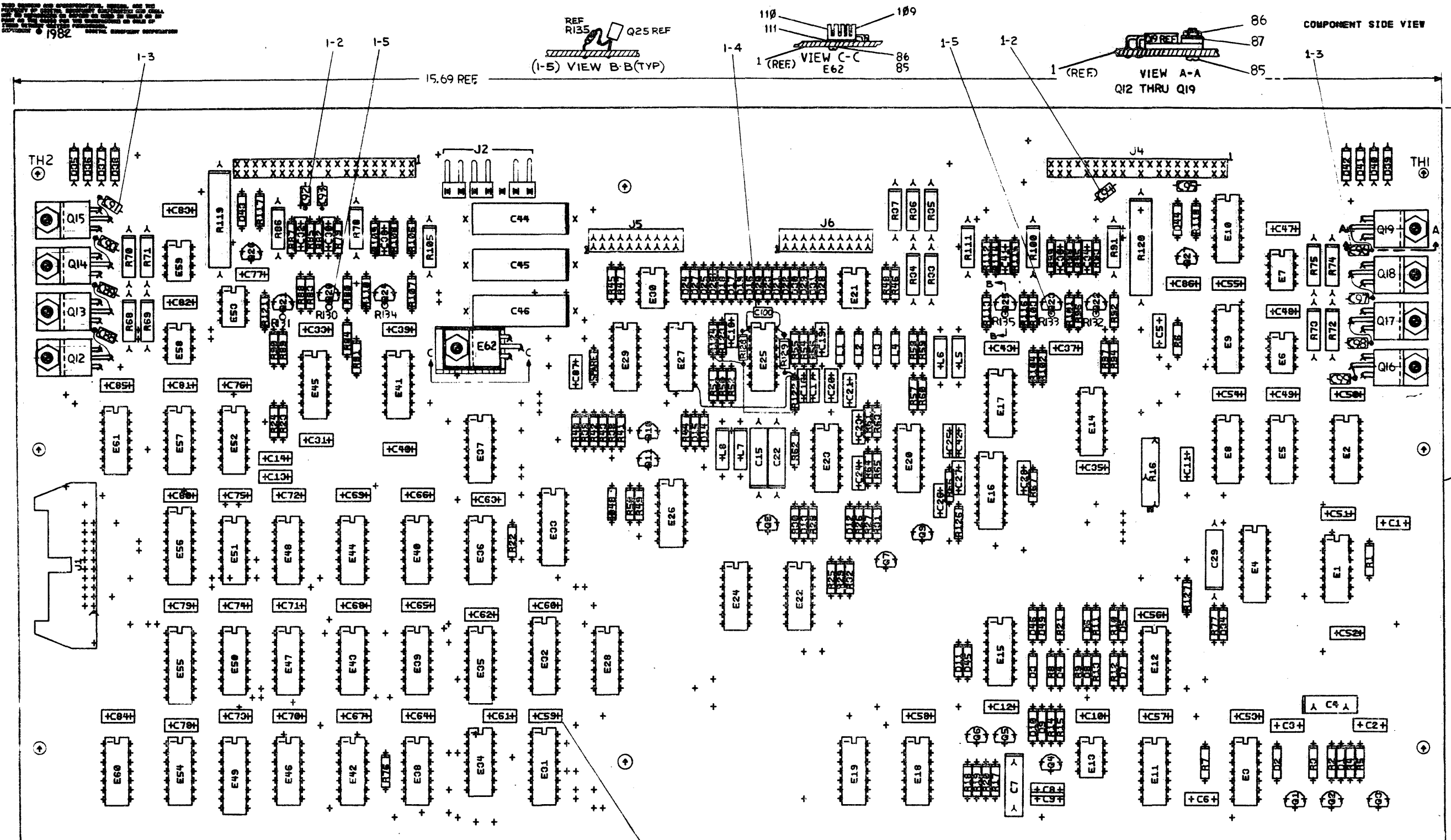
ML2

2

LINE	ITEM	DOCUMENT NUMBER	PART NUMBER	DESCRIPTION	QTY PER VARIATION YC	REFERENCE DESIGNATOR
31	31		1910155-00	DEC 7409 AND GATE, POS. QUAD 2I	2	E3, E4
32	32		1910532-00	74800 NAND GATE-QUAD 2IN	2	E32, E41
33	33		1910534-00	74804 INVERTER GATE-HEX 1I	2	E5, E64
34	34		1910536-00	74810 NAND GATE-TRIPLE 3IN	1	E39
35	35		1910541-00	74840 BUFFER, POS-NAND, DUAL	1	E22
36	36		1912824-00	LS74 FF-D DUAL, EDGE TRIGG	1	E28
37	37		1910547-00	748153 MUX 1 OF 4 (DUAL)	1	E44
38	38		1910550-00	748174 FF-D HEX	1	E11
39	39		1910651-00	DEC 74175 FF-D QUAD	1	E49
40	40		1910652-00	74174 FF-D HEX	3	E19, E34, E68
41	41		1911469-00	DEC 8640 RECEIVER, BUS, QUAD, U	2	E6, E9
42	42		1911713-00	74163 COUNTER, SYNCHR, 4-BIT	2	E34, E35
43	43		1912389-00	74808 AND GATE-QUAD 2IN, PO	1	E40
44	44		1912696-00	LS194A SHIFT REG., 4BIT BI-D	2	E52, E58
45	45		1912803-00	LS04 INVERTER GATE, HEX	2	E29, E31
46	46		1912805-00	LS08 AND GATE-QUAD 2IN, PO	1	E37
47	47		1912807-00	LS10 NAND GATE-TRIPLE 3IN	1	E38
48	48		1912808-00	LS11 AND GATE-TRIPLE 3IN	1	E26
49	49		1912811-00	LS21 AND GATE-DUAL 4IN, PO	2	E23, E36
50	50		1912820-00	LS51 A-O-I GATE 2-WIDE 2I	1	E24
51	51		1912823-00	LS73 FF-JK DUAL W/CLEAR	3	E1, E2, E14
52	52		1912834-01	LS112 FF-JK DUAL, EDGE TRIG	5	E13, E15, E17, E18, E50
53	53		1912849-00	LS161 COUNTER, SYNCHR, 4BIT	3	E51, E57, E63
54	54		1913245-00	2901 BIPOLAR MICROPROCESSO	2	E46, E65
55	55		1913474-00	9401 GENERATOR/CHECKER CR	1	E43
56	56		1913772-00	AM 2909DC MICROPROGRAM SEQUEN	3	E47, E59, E66
57	57		2111318-01	2102-1 RAM, 1024BIT, STATIC	2	E56, E62
58	58		23229F1-00	F1-01	1	E67
59	59		23230F1-00	F1-01	1	E30
60	60		23431F1-00	F1-01	1	E53
61	61		23232F1-00	F1-01	1	E48
62	62		9009185-00	JUMPER, WIRE, INSULATED, BLACK B	1	M1
63	63		1211164-07	SW, DIP 2POS/1PST 5VDC100MA F	1	81

D I S T R I B U T I O N		TITLE		SECTION A OF A		DOCUMENT NUMBER		REV	
		RX02 FLOPPY DISK CONTROLLER				H7744-YC-DBP		A	





NOTES:

STEP E + Y AXIS STEP - TIMES  
 REPEAT + X AXIS STEP - TIMES

CHG	NO	REV	BY	DATE
1	1	1	...	...
2	1	1	...	...
3	1	1	...	...
4	1	1	...	...
5	1	1	...	...
6	1	1	...	...
7	1	1	...	...
8	1	1	...	...

ETCH REV. F- P2
-----------------

SIGNATURES	DATE
DRN. <i>[Signature]</i>	4-29-60
CHK'D. <i>[Signature]</i>	5-10-60
MECH. ENG. <i>[Signature]</i>	7/2/61
PROJ. ENG. <i>[Signature]</i>	7/2/61
PROD. <i>[Signature]</i>	7/2/61

digital	TITLE
digital	RX22 R/W CONTROL
SCALE 2/1	SIZE CODE
SHT. 1 OF 2	NUMBER
NEXT HIGHER REV. B-DD-M7745-0	DUA M7745-YA-0

THIS DRAWING AND SPECIFICATIONS HEREIN ARE THE PROPERTY OF DIGITAL EQUIPMENT CORPORATION AND SHALL NOT BE REPRODUCED OR COPIED OR USED IN WHOLE OR IN PART AS THE BASIS FOR THE MANUFACTURE OR SALE OF ITEMS WITHOUT WRITTEN PERMISSION.  
 COPYRIGHT © 1972 DIGITAL EQUIPMENT CORPORATION

8 0-VA-5477W 2

REWORK INSTRUCTIONS

BYPASS CAPS (C2, C25, C26, C31, C33, C35, C37, C39, C40, C42, C43, C47-C87)

1-1 Remove all 0.01 uf caps. with Dec #1001610-00 (Qty 52)  
 Replace with 0.01 caps. with Dec #1010978-24

SOLENOID CAPS (C92-C95)

1-2 Using 0.01 uf caps. (Dec #1010978-24) install caps. from each solenoid lead to gnd. The caps should be as close as possible to the connector block (Refer to D-EC-5012956-YA-0) One leg of each cap is tack soldered to the etch. The other goes into the present plated through hole, or added hold.e

STEPPER MOTOR CAPS. (C88-C91, C96-C99)

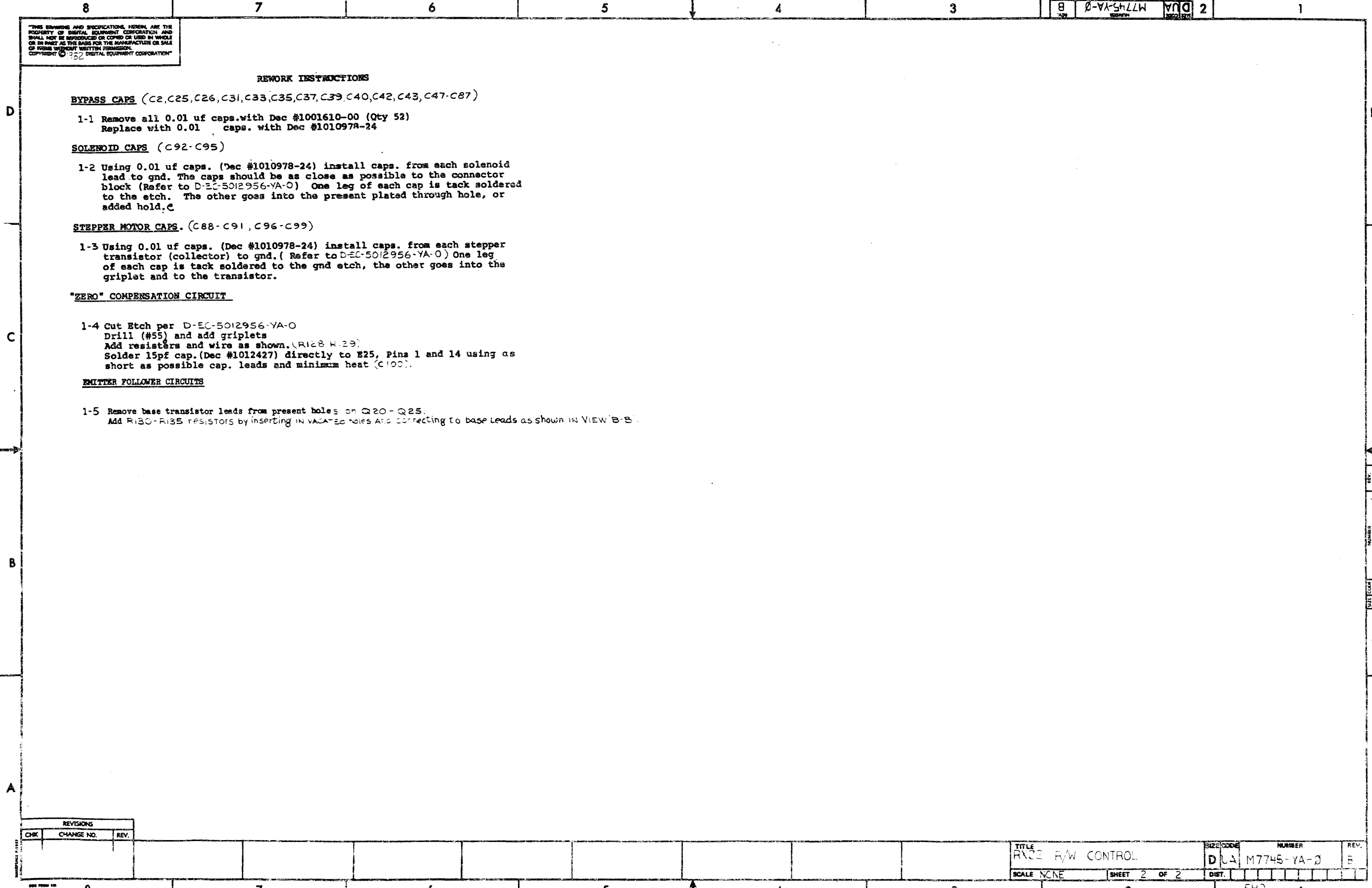
1-3 Using 0.01 uf caps. (Dec #1010978-24) install caps. from each stepper transistor (collector) to gnd. (Refer to D-EC-5012956-YA-0) One leg of each cap is tack soldered to the gnd etch, the other goes into the griplet and to the transistor.

"ZERO" COMPENSATION CIRCUIT

1-4 Cut Etch per D-EC-5012956-YA-0  
 Drill (#55) and add griplets  
 Add resistors and wire as shown. (R128 R129)  
 Solder 15pf cap. (Dec #1012427) directly to E25, Pins 1 and 14 using as short as possible cap. leads and minimum heat (C100).

EMITTER FOLLOWER CIRCUITS

1-5 Remove base transistor leads from present holes on Q20-Q25.  
 Add R130-R135 resistors by inserting in vacated holes and connecting to base leads as shown in VIEW B-B.

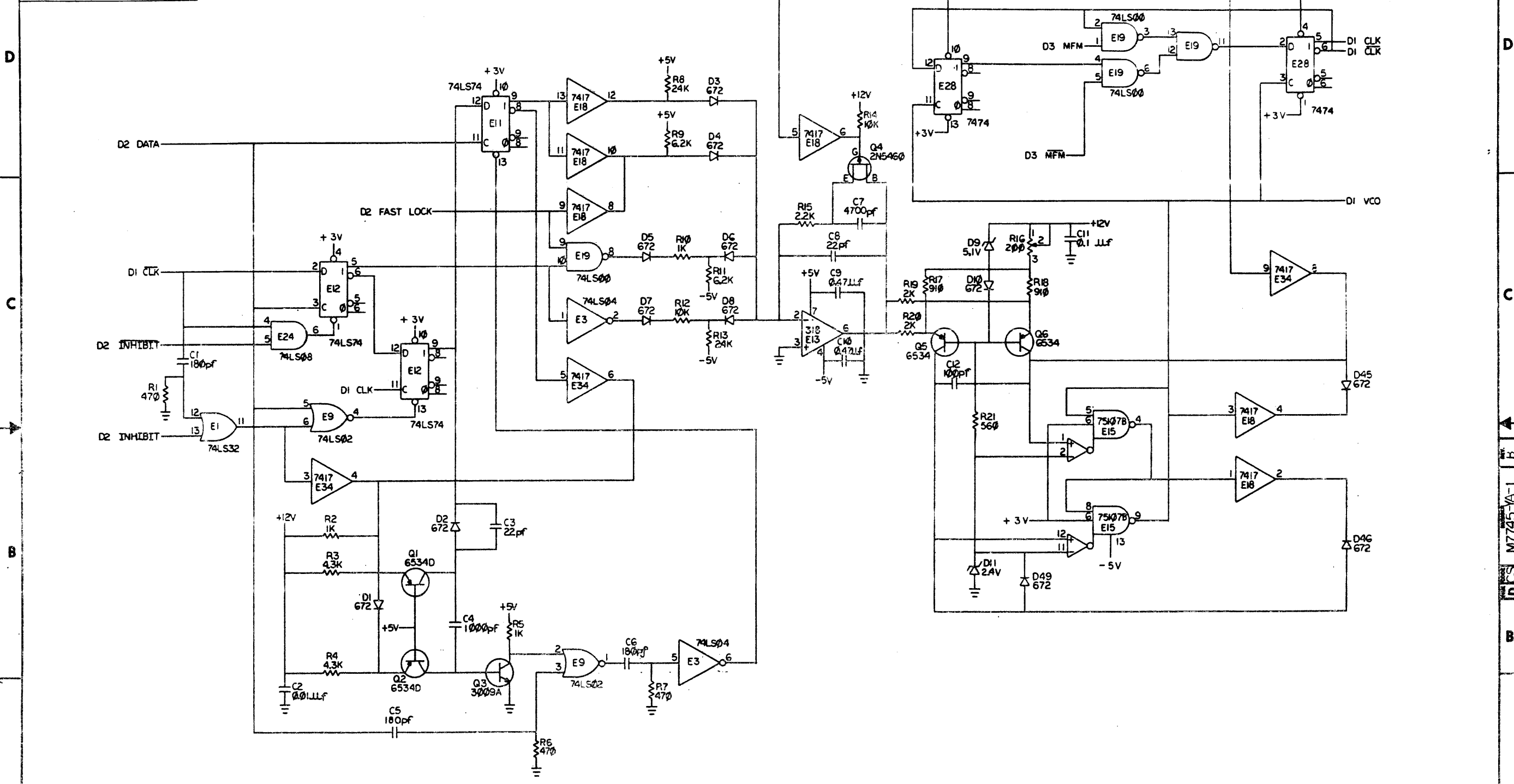


REVISIONS		
CHK	CHANGE NO.	REV.

TITLE	RACE R/W CONTROL	SIZE CODE	DUA	NUMBER	M7745-YA-0	REV.	B
SCALE	NCNE	SHEET	2	OF	2	DIST.	

REV. B  
 DATE 11/14/54  
 DUA

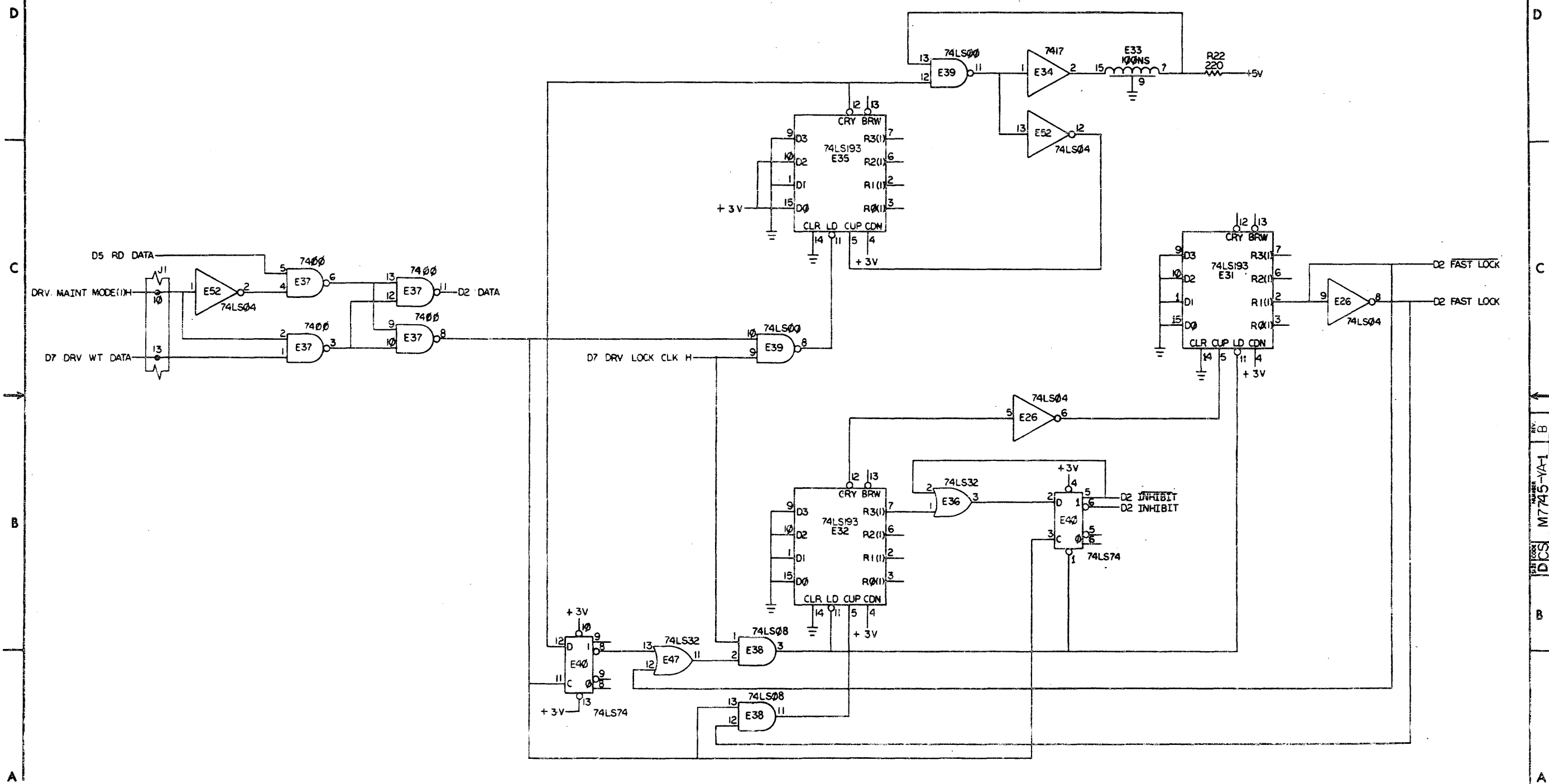
"THIS DRAWING AND SPECIFICATIONS HEREIN ARE THE PROPERTY OF DIGITAL EQUIPMENT CORPORATION AND SHALL NOT BE REPRODUCED OR COPIED OR USED IN WHOLE OR IN PART AS THE BASIS FOR THE MANUFACTURE OR SALE OF ITEMS WITHOUT WRITTEN PERMISSION FROM DIGITAL EQUIPMENT CORPORATION."



REV.	CHANGE NO.	DATE	BY	CHKD.
1				
2				
3				
4				
5				
6				
7				
8				

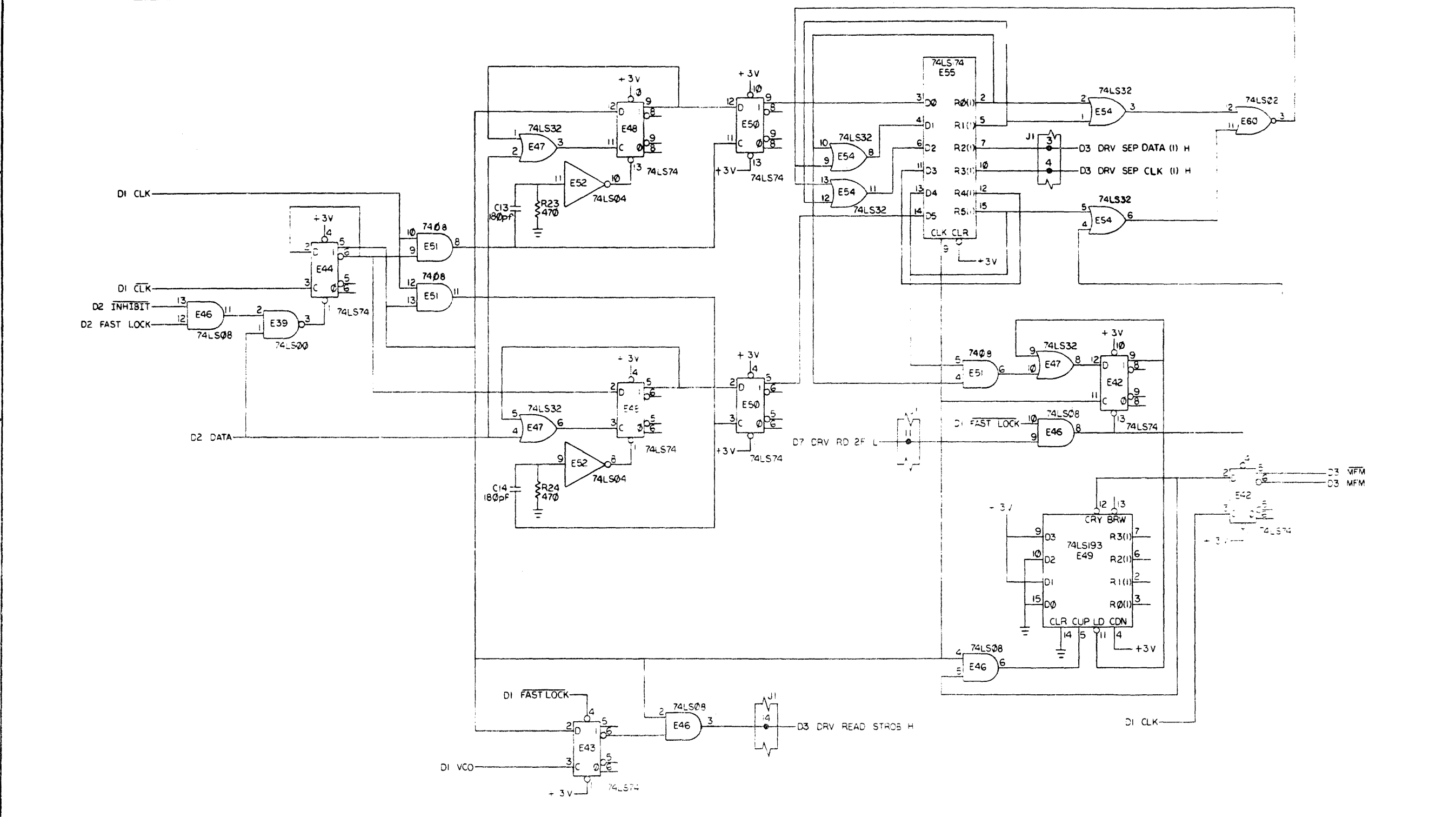
DRN. <i>[Signature]</i>	FIRST USED ON	
CHKD. <i>[Signature]</i>	RX02	
ENG. <i>[Signature]</i>	TITLE	READ/WRITE CONTROL (D1)
PROJ. ENG. <i>[Signature]</i>	NUMBER	M7745-1A-1
PROD. <i>[Signature]</i>	REV.	B
NEXT HIGHER ASSY.	SIZE	D CS
B-00-M7745-0	SCALE	
SHEET 1 OF 7	DIST.	

"THIS DRAWING AND SPECIFICATIONS HEREIN ARE THE PROPERTY OF DIGITAL EQUIPMENT CORPORATION AND SHALL NOT BE REPRODUCED OR COPIED OR USED IN WHOLE OR IN PART AS THE BASIS FOR THE MANUFACTURE OR SALE OF ITEMS WITHOUT WRITTEN PERMISSION.  
COPYRIGHT © 1982 DIGITAL EQUIPMENT CORPORATION"



REVISIONS		
CHK	CHANGE NO.	REV.

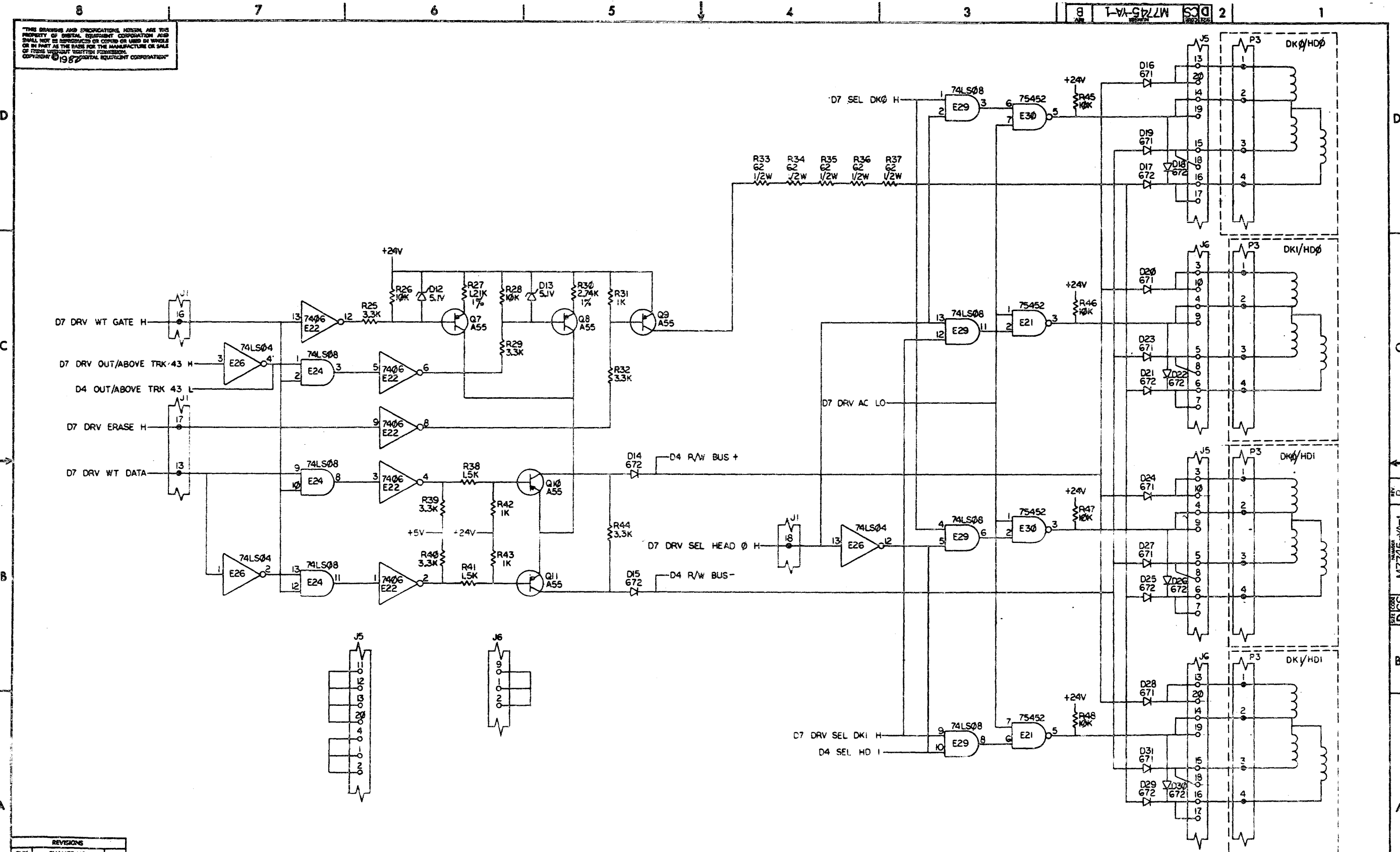
THE DRAWING AND SPECIFICATIONS HEREIN ARE THE PROPERTY OF DIGITAL EQUIPMENT CORPORATION AND SHALL NOT BE REPRODUCED OR COPIED OR USED IN WHOLE OR IN PART AS THE BASIS FOR THE MANUFACTURE OR SALE OF ITEMS WITHOUT WRITTEN PERMISSION. COPYRIGHT © 1972 DIGITAL EQUIPMENT CORPORATION



REVISIONS		
CHK	CHANGE NO.	REV.

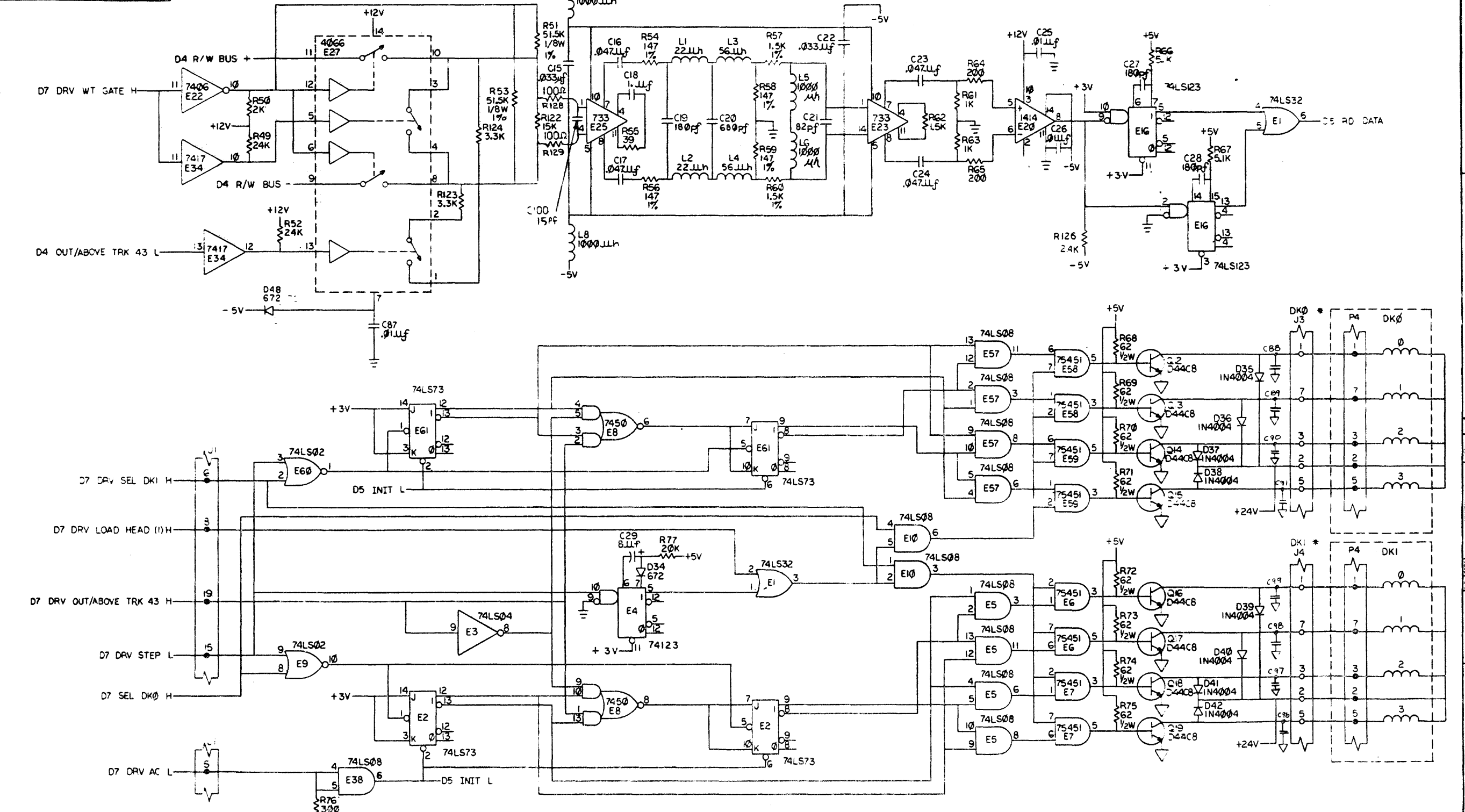
TITLE: READ/WRITE CONTROL  
 NUMBER: M7745-7A-1  
 SHEET: 3 OF 7

THE DRAWING AND SPECIFICATIONS HEREIN ARE THE PROPERTY OF DIGITAL EQUIPMENT CORPORATION AND SHALL NOT BE REPRODUCED OR COPIED OR USED IN WHOLE OR IN PART AS THE BASIS FOR THE MANUFACTURE OR SALE OF ITEMS WITHOUT WRITTEN PERMISSION.  
 COPYRIGHT © 1974 DIGITAL EQUIPMENT CORPORATION



REVISIONS		
CHK	CHANGE NO.	REV.

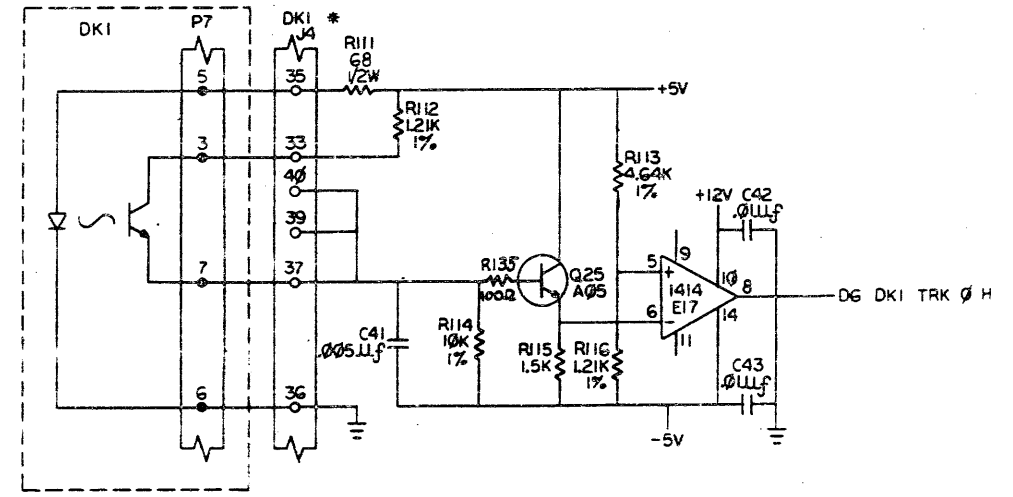
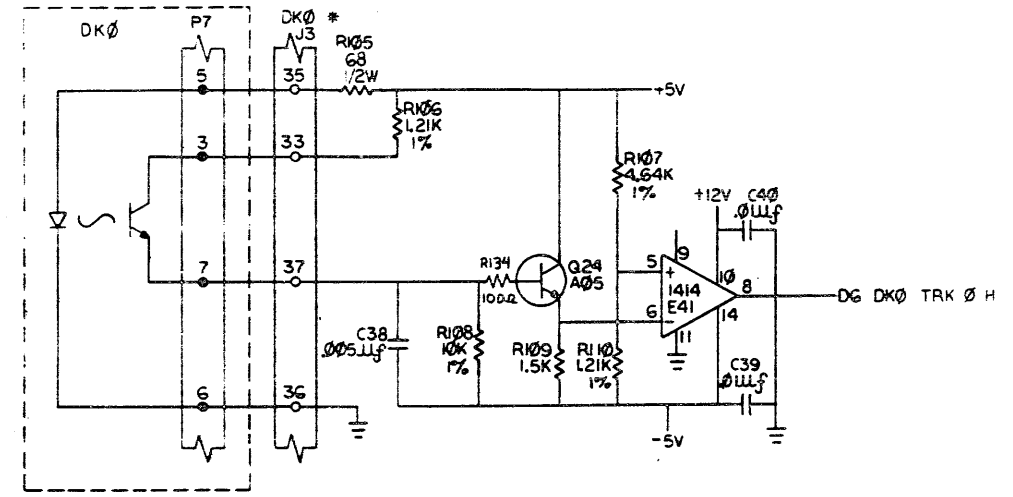
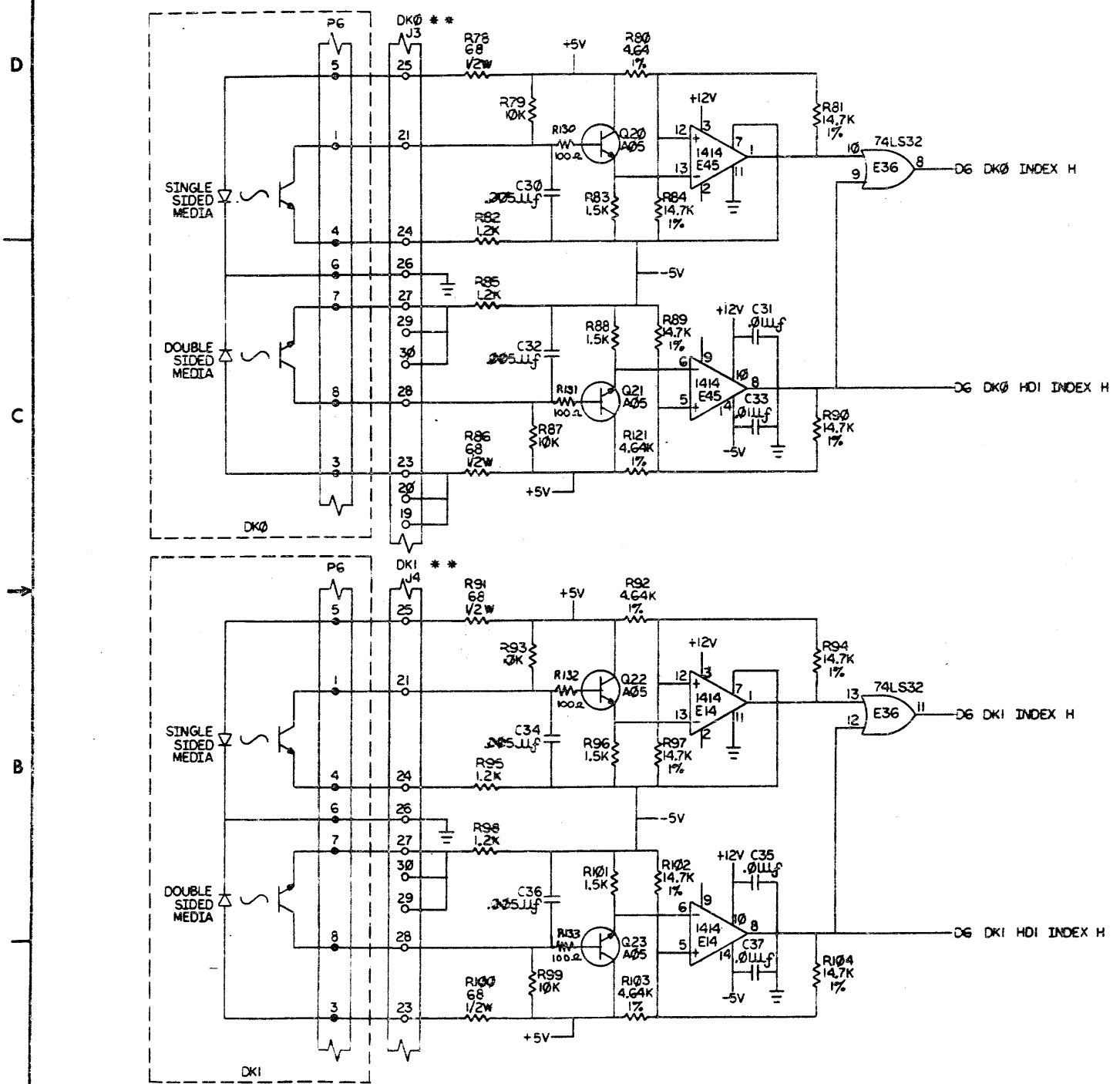
THIS DRAWING AND SPECIFICATIONS HEREIN ARE THE PROPERTY OF DIGITAL EQUIPMENT CORPORATION AND SHALL NOT BE REPRODUCED OR COPIED OR USED IN WHOLE OR IN PART AS THE BASIS FOR THE MANUFACTURE OR SALE OF ITEMS WITHOUT WRITTEN PERMISSION. COPYRIGHT © 1977, DIGITAL EQUIPMENT CORPORATION.



REVISIONS		
CHK	CHANGE NO.	REV

TITLE	(05)	SIZE CODE	NUMBER	REV.
READ/WRITE CONTROL	DCS	M7745-YA-1	5	2
SCALE	SHEET	DIST.	SHO	
	5 OF 7		1	

THIS DRAWING AND SPECIFICATIONS HEREIN ARE THE PROPERTY OF DIGITAL EQUIPMENT CORPORATION AND SHALL NOT BE REPRODUCED OR COPIED OR USED IN WHOLE OR IN PART AS THE BASIS FOR THE MANUFACTURE OR SALE OF ITEMS WITHOUT WRITTEN PERMISSION. COPYRIGHT © 1982 DIGITAL EQUIPMENT CORPORATION



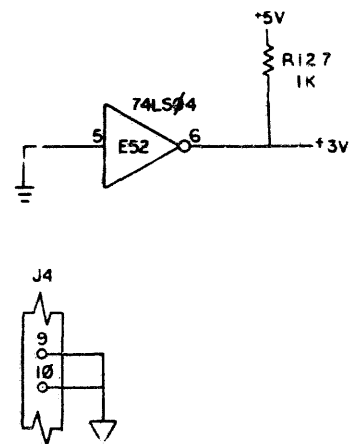
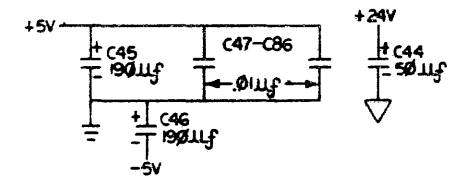
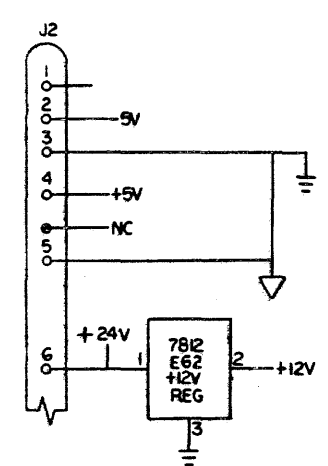
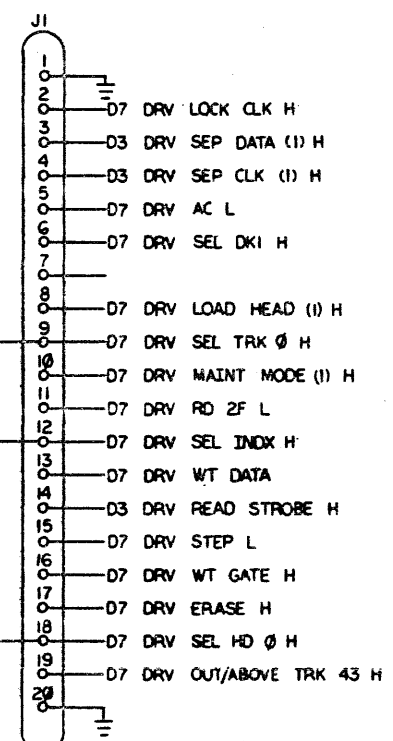
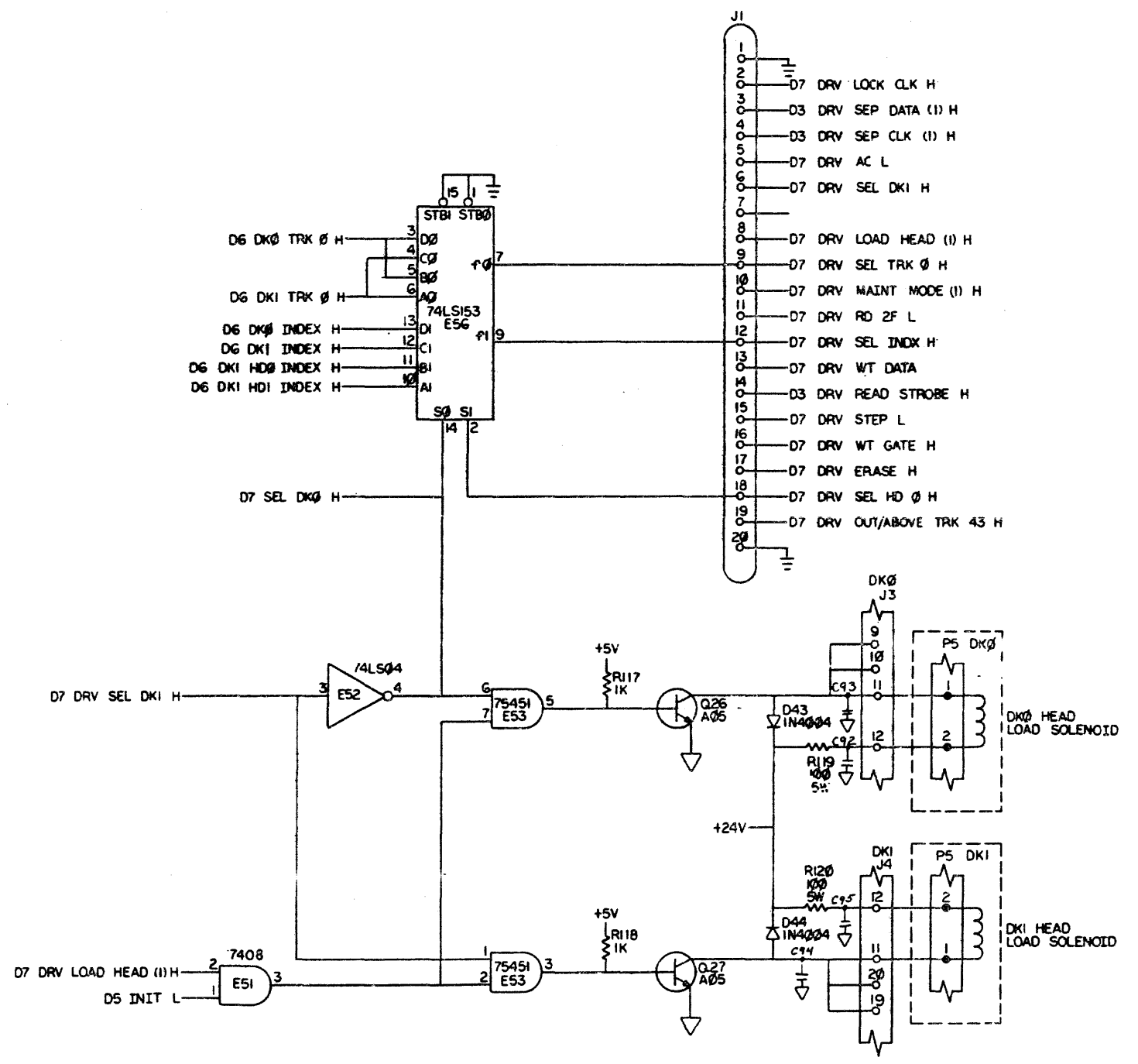
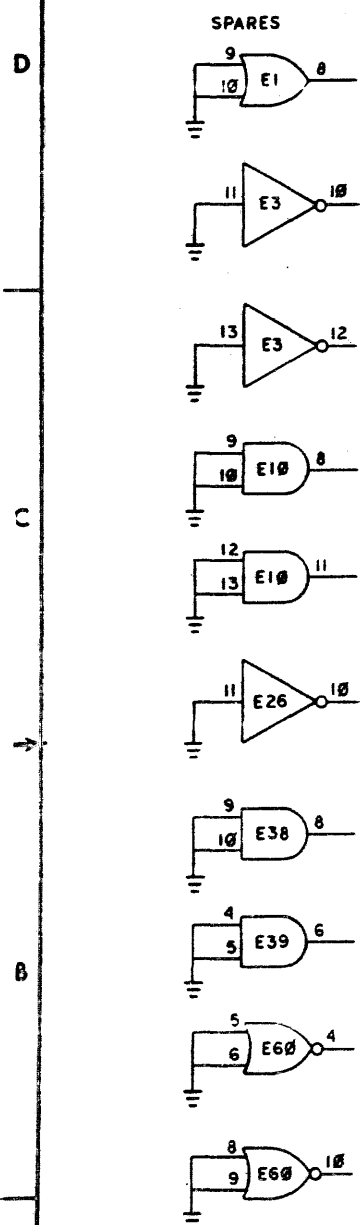
NOTE:  
 \* P7-- PIN 4 LOCATION IS USED FOR KEY  
 \* \* P6-- PIN 2 LOCATION IS USED FOR KEY

REVISIONS		
CHK	CHANGE NO.	REV.

TITLE	(D6)	SIZE/DOSE	NUMBER	REV.
READ/WRITE CONTROL	D6	D CS	M7745-YA-1	B
SCALE	SHEET	6 OF 7		



THE DRAWING AND SPECIFICATIONS HEREIN ARE THE PROPERTY OF DIGITAL EQUIPMENT CORPORATION AND SHALL NOT BE REPRODUCED OR COPIED OR USED IN WHOLE OR IN PART AS THE BASIS FOR THE MANUFACTURE OR SALE OF ITEMS UNLESS WRITTEN PERMISSION IS OBTAINED FROM DIGITAL EQUIPMENT CORPORATION.  
COPYRIGHT © 1971 DIGITAL EQUIPMENT CORPORATION



\* NOTE:  
DK0 AND DK1 J3-J4  
SPARE PINS ARE  
PINS 3, 4, 5, 6, AND 7.  
PIN 8 LOCATION  
IS FOR KEY.

REVISIONS		
CHK	CHANGE NO.	REV.



LINE	ITEM	DOCUMENT NUMBER	PART NUMBER	DESCRIPTION	QTY	PER VARIATION	REFERENCE DESIGNATOR
					YA		
1	1	D-MD-5012956-0-0	5012956-00	RX02	1		
2	2		1005820-00	22.0 MMF 100V 5%200PPM MICA	2		C3,C8
3	3		1000016-00	100.0 MMF 100V 5%200PPM MICA	1		C12
4	4		1000020-00	180.0 MMF 100V 5%200PPM MICA	8		C1,C5,C6,C13,C14,C27,C28,C19
5	5		1001383-00	4700.0 MMF 100V 3%200PPM MICA	1		C7
6	6		1000042-00	1000.0 MMF 100V 5%200PPM MICA	1		C4
7	7		1000026-00	680.0 MMF 100V 5%200PPM MICA	1		C20
8	8		1012084-01	8 MFD 25V +75-10% AL EL	1		C29
9	9		1009433-00	190 MFD 12V +75-10% AL EL	2		C45,C46
10	10		1000080-00	50 MFD 50V +75-10% AL EL	1		C44
11	11		1010978-24	.01 MFD 50V 10% CER	64		C2,C25,C26,C31,C33,C35,C37,C40, CONT C42,C43,C47-C87,C39,C88-C99
12	12		1010978-32	.047 MFD 50V 10% CER	4		C16,C17,C23,C24
13	13		1001765-00	.005 MFD 100V 20% Z5T DISC	6		C30,C32,C34,C36,C38,C41
14	14		1000050-00	.033 MFD 100V 80V 10% MYL	2		C15,C22
15	15		1010274-02	1 MFD 50V +80-20% CER	1		C18
16	16		1000015-00	82.0 MMF 100V 5%200PPM MICA	1		C21
17	17		1103309-00	D 671 TR= 6NS PIV= 50V SM	8		D16,D19,D20,D23,D24,D27,D28,D31
18	18		1105275-00	D 672 TR= 15NS PIV= 60V SI	24		D1-D8,D10,D14,D15,D17,D18,D22, CONT D26,D29,D30,D34,D45,D46,D25,D21, CONT D48,D49
19	19		1105796-00	1N 4004 PIV=400 I= 1A D041 SP	10		D35-D44
20	20		1110713-00	SZ710910 VZ= 5.1 2% M	3		D9,D12,D13
21	21		1101938-00	1N 4370A VZ= 2.4 5% .40W	1		D11
22	22		1610033-00	DELAY= 10-100NS,10TAPS	1		E33
23	23		1602723-00	1000 UH 10% 125MA	4		L5-L8
24	24		1612946-02	22.0 UH 10% Q MIN=50@2.5MHZ	2		L1,L2
25	25		1610661-00	56 UH 10% #DD56	2		L3,L4
26	26		1510705-00	XA 05 NPN 500MW SI 60 50 P	8		Q20-Q27
27	27		1510706-00	XA 55 PNP 500MW SI 60 50 P	5		Q7-Q11

REVISION HISTORY		BASIC PART NO: M7745		DRN: LINDA PETERSON	DATE: 07-JUN-82	D I G I T A L			
ENG:	ECO NUMBER	REV	SECTION A OF A	CHK'D: J. MCNULTY	DATE: 07-JUN-82	TITLE PARTS LIST			
MH	M7745-YA-ML001	A	SECTION VARIATION INDEX	DES.ENG: MARC HILDEBRANT	DATE: 07-JUN-82	RX02 R/W CONTROL			
A.R	M7745-YA-SH002	B	[A] YA	RESP.ENG.: MARC HILDEBRANT	DATE: 07-JUN-82	DOCUMENT NUMBER			
			[B]	MFG.ENG.: MARC HILDEBRANT	DATE: 07-JUN-82	SIZE	CODE	NUMBER	REV
			[C]	ASSEMBLY NUMBER:	TOP DOCUMENT NUMBER:	K	PL	M7745-YA-DBP	B
			[D]	D-UA-M7745-YA-0	#B-DD-M7745-YA			Z4406B.PLS	8
			[E]	"THIS DRAWING AND SPECIFICATIONS HEREIN, ARE THE PROPERTY OF DIGITAL EQUIPMENT CORPORATION AND SHALL NOT BE REPRODUCED OR COPIED OR USED IN WHOLE OR IN PART AS THE BASIS FOR THE MANUFACTURE OR SALE OF ITEMS WITHOUT WRITTEN PERMISSION. COPYRIGHT (C) 1983. DIGITAL EQUIPMENT CORPORATION "					
			[F]						
			[G]						
			[H]						
			[J]						
			[K]						
			[L]						
			[M]						
			[N]						

LINE	ITEM	DOCUMENT NUMBER	PART NUMBER	DESCRIPTION	QTY	PER VARIATION	REFERENCE DESIGNATOR
					YA		
28	28		1503409-00	DEC6534D PNP 310MW SI 40 90	4		Q1,Q2,Q5,Q6
29	29		1501999-00	DEC3009A NPN 300MW SI 20 25 M	1		Q3
30	30		1510233-00	2N 5460 FET 310MW SIP CHNNL	1		Q4
31	31		1510421-00	D 44C8 NPN 30WT SI 60 20	8		Q12-Q19
32	32		1912799-00	LS00 NAND-GATE-QUAD 2IN,P	2		E19,E39
33	33		1912801-00	LS02 NOR-GATE-QUAD 2IN	2		E9,E60
34	34		1912803-00	LS04 INVERTER GATE,HEX	3		E3,E26,E52
35	35		1910741-00	7406 INVERTER GATE-HEX 1I	1		E22
36	36		1912805-00	LS08 AND GATE-QUAD 2IN,PO	7		E5,E10,E24,E29,E38,E46,E57
37	37		1909929-00	7417 BUFFER GATE-HEX 1INP	2		E18,E34
38	38		1912816-00	LS32 OR GATE-QUAD 2IN,POS	4		E1,E36,E47,E54
39	39		1905580-00	DEC 7450 A-O-I XPNDBLE GATE-D	1		E8
40	40		1912823-00	LS73 FF-JK DUAL W/CLEAR	2		E2,E61
41	41		1912824-00	LS74 FF-D DUAL,EDGE TRIGG	8		E11,E12,E40,E42-E44,E48,E50
42	42		1912837-00	LS123 ONE SHOT-DUAL,RETRIG	1		E16
43	43		1912697-00	LS174 FF-D HEX W/CLEAR	1		E55
44	44		1912854-00	LS193 COUNTER,SYNCHR,4BIT,	4		E31,E32,E35,E49
45	45		1910268-00	DEC 75107B RECEIVER,LINE,DUAL,	1		E15
46	46		1910406-00	75451 DRIVER,PERIPH,DUAL,	5		E6,E7,E53,E58,E59
47	47		1910645-00	75452 DRIVER,PERIPH,DUAL,	2		E21,E30
48	48		1910735-02	318 OP AMP	1		E13
49	49		1910337-00	DEC 1414L VOLT.COMPARATOR,DUAL	5		E14,E17,E20,E41,E45
50	50		1910644-00	733 DIFFERENTIAL AMP,WID	2		E23,E25
51	51		2113632-00	4066B BILATERAL SWITCH-QUA	1		E27
52	52		1912845-00	LS153 MUX 1 OF 4 (DUAL)	1		E56
53	53		1912048-02	DEC 7812 VOLT REG,FIX +12V	1		E62
54	54		1309405-00	68.0 .50 W 5.0 % CF	6		R78,R86,R91,R100,R105,R111
55	55		1304837-00	24.0 K .25 W 5.0 % CF	4		R49,R52,R8,R13
56	56		1301425-00	300.0 .25 W 5.0 % CF	1		R76
57	57		1312931-00	6.20 K .25 W 5.0 % CF	2		R9,R11
58	58		1300271-00	220.0 .25 W 5.0 % CF	1		R22
59	59		1313590-00	1.50 K .25 W 1.0 % RN55D-F10	2		R57,R60
60	60		1302874-00	147.0 .25 W 1.0 % RN55D-F10	4		R54,R56,R58,R59
61	61		1302377-00	39.0 .25 W 5.0 % CF	1		R55
62	62		1301890-00	560.0 .25 W 5.0 % CF	1		R21
63	63		1300316-00	470.0 .25 W 5.0 % CF	5		R1,R6,R7,R23,R24
64	64		1300365-00	1.0 K .25 W 5.0 % CF	11		R2,R5,R10,R42,R43,R61,R63,R117, CONT R118,R31,R127
65	65		1302871-00	1.21 K .25 W 1.0 % RN55D-F10	5		R106,R110,R112,R116,R27
66	66		1300391-00	1.50 K .25 W 5.0 % CF	9		R38,R41,R83,R88,R96,R101,R109, CONT R115,R62
67	67		1302388-00	2.0 K .25 W 5.0 % CF	3		R19,R20,R50
68	68		1304868-00	2.74 K .25 W 1.0 % RN55D-F10	1		R30
69	69		1302389-00	4.30 K .25 W 5.0 % CF	2		R3,R4
70	70		1304856-00	4.64 K .25 W 1.0 % RN55D-F10	6		R80,R92,R103,R107,R113,R121
71	71		1300479-00	10.0 K .25 W 5.0 % CF	12		R12,R14,R26,R28,R45-R48,R79,R87, CONT R93,R99
72	72		1302941-00	14.70 K .25 W 1.0 % RN55D-F10	7		R81,R84,R89,R90,R94,R97,R102

D	I	G	I	T	A	L	TITLE	SECTION A	OF A	SIZE	CODE	DOCUMENT NUMBER	REV
							RX02 R/W CONTROL			K	PL	M7745-YA-DBP	B

LINE	ITEM	DOCUMENT NUMBER	PART NUMBER	DESCRIPTION	QTY	PER VARIATION	REFERENCE DESIGNATOR
					YA		
73	73		1302391-00	20.0 K .25 W 5.0 % CF	1		R104
74	74		1309094-00	100.0 5.0 W 5.0 % WW	1		R77
75	75		1313476-00	51.10 K .25 W 1.0 % RN55D-F10	2		R119,R120
76	76		1311522-00	200.0 .25 W 5.0 % CF	2		R51,R53
77	77		1312930-00	5.10 K .25 W 5.0 % CF	2		R66,R67
78	78		1301320-00	1.20 K .25 W 5.0 % CF	4		R82,R85,R95,R98
79	79		1314847-00	62.0 .50 W 5.0 % CF	13		R33-R37,R68-R75
80	80		1300496-00	15.0 K .25 W 5.0 % CF	1		R122
81	81		1212204-00	PCB HEADER 02PIN(1X02).156CC 90D	1		J2
82	82		1209941-06	PCB,HEADER 20PIN(2X20).100CC 90D	1		J1
83	83		1213488-02	PCB,HEADER 20PIN(2X10).100CC STR	2		J5,J6
84	84		1214993-01	PCB,HEADER 36POS(2X20).100CC 90D	2		J3,J4
85	85		9006010-01	SCREW,MACH PAN PHIL 4-	9		
86	86		9006557-00	NUT,HEX EXT TOOTH LCKWSHR 4-40	9		
87	87		9009769-00	WASHER,RECTNGLR STEEL	8		
88	88		9105740-55	*** THIS ITEM IS NOT USED ***	-		
89	89		1300417-00	2.20 K .25 W 5.0 % CF	1		R15
90	90		1300439-00	3.30 K .25 W 5.0 % CF	8	CONT	R25,R29,R32,R39,R40,R44,R123, R124
91	91		1305374-00	910.0 .25 W 5.0 % CF	2		R17,R18
92	92		1309143-05	200.0 .75 W10.0 % POT	1		R16
93	93		1303312-00	10.0 K .25 W 1.0 % RN55D-F10	2		R108,R114
94	94		1905547-00	7474 FF-D DUAL,EDGE TRIGG	1		E28
95	95		1905575-00	7400 NAND GATE-QUAD 2IN	1		E37
96	96		1910155-00	DEC 7408 AND GATE,POS.QUAD 2I	1		E51
97	97		1910436-00	DEC 74123 ONE SHOT-DUAL,RETRIG	1		E4
98	98		1303177-00	2.40 K .25 W 5.0 % CF	1		R126
99	99		1012312-00	.47 MFD 50V +80-20% CER	2		C9,C10
100	100		1010978-36	.1 MFD 50V 10% CER	1		C11
101	101		1210244-01	GRIPLET, .050 STRIP FORM	12		
102	102	D-CS-M7745-YA-1		CIRCUIT SCHEMATIC	REF		
103	103	D-UA-M7745-YA-0		UNIT ASSY	REF		
104	104	B-DD-M7745-YA		DRAWING DIRECTORY	REF		
105	105	D-EC-5012956-YA-0		ETCH CUT DRAWING	REF		
106	106		1002427-00	15.0 MMF 100V 5%200PPM MICA	1		C100
107	107		1300229-00	100.0 .25 W 5.0 % CF	2		R128,R129
108	108		1302858-00	100.0 .25 W 1.0 % RN55D-F10	6		R130-R135
109	109		1220571-01	HEAT SINKS,TO-220 .750X .52	1		
110	110		9008268-00	COMPOUND, THERMAL JOINT	A/R		
111	111		9009597-00	INSULATOR, THERMA-FILM	1		

D	I	G	I	T	A	L	TITLE	SECTION A OF A	SIZE	CODE	DOCUMENT NUMBER	REV
							RX02 R/W CONTROL		K	PL	M7745-YA-DBP	B