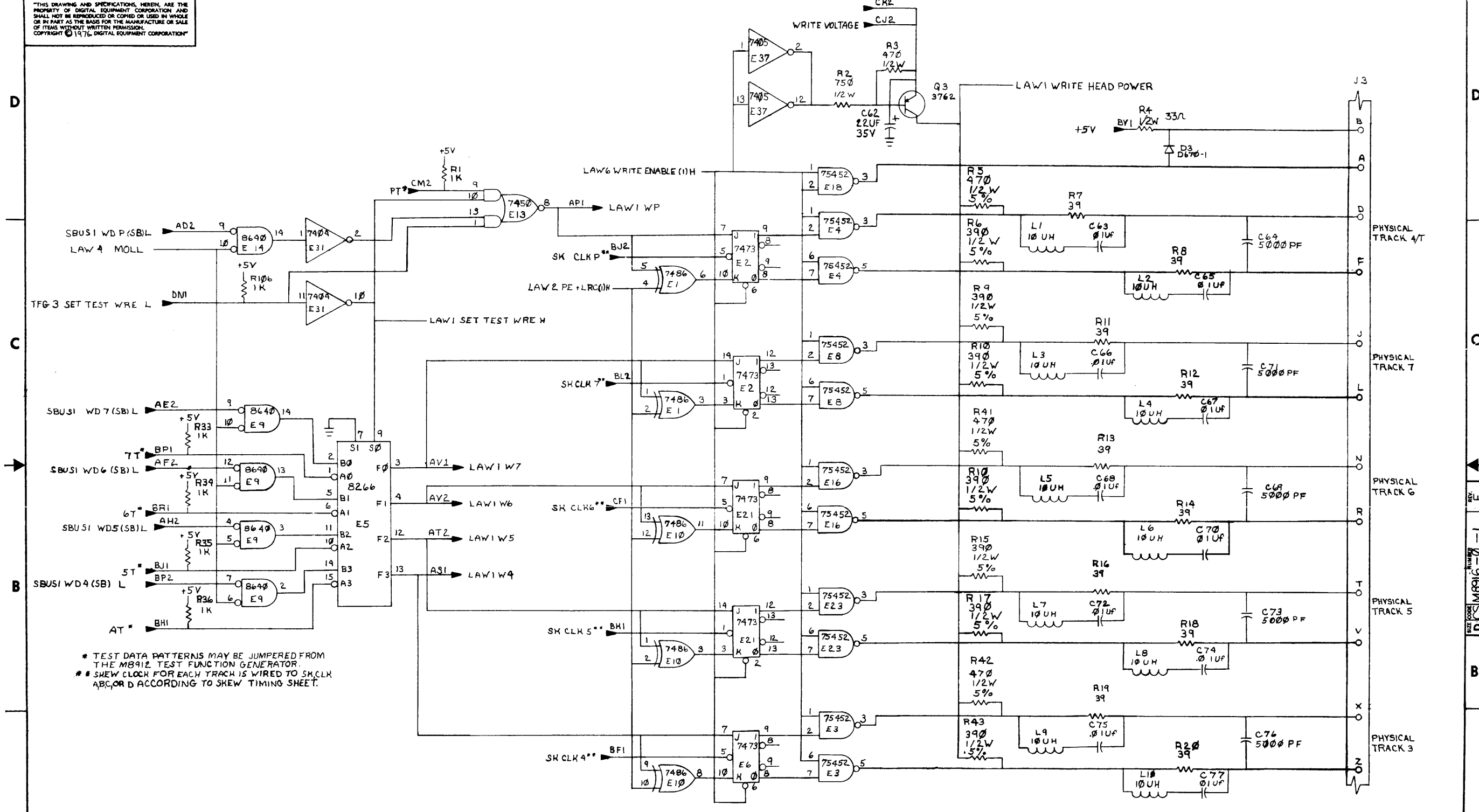


| TITLE | SHEET 2 OF 3 | SIZE CODE | NUMBER | REV |
|--------------------------|--------------|-----------|--------|-----|
| TE16 MAGNETIC TAPE DRIVE | | B DD | TE16-Ø | A |

"THIS DRAWING AND SPECIFICATIONS, HEREIN, ARE THE PROPERTY OF DIGITAL EQUIPMENT CORPORATION AND SHALL NOT BE REPRODUCED OR COPIED OR USED IN WHOLE OR IN PART AS THE BASIS FOR THE MANUFACTURE OR SALE OF ITEMS WITHOUT WRITTEN PERMISSION. COPYRIGHT © 1976, DIGITAL EQUIPMENT CORPORATION"

CS M8916-0-1 2



* TEST DATA PATTERNS MAY BE JUMPED FROM THE M8912 TEST FUNCTION GENERATOR.
 ** SKEW CLOCK FOR EACH TRACK IS WIRED TO SK CLK ABC OR D ACCORDING TO SKEW TIMING SHEET.

| REV. | CHG. | NO. | DATE | BY | CHK. |
|------|------|-----|------|----|------|
| 1 | | | | | |
| 2 | | | | | |
| 3 | | | | | |
| 4 | | | | | |
| 5 | | | | | |
| 6 | | | | | |
| 7 | | | | | |
| 8 | | | | | |

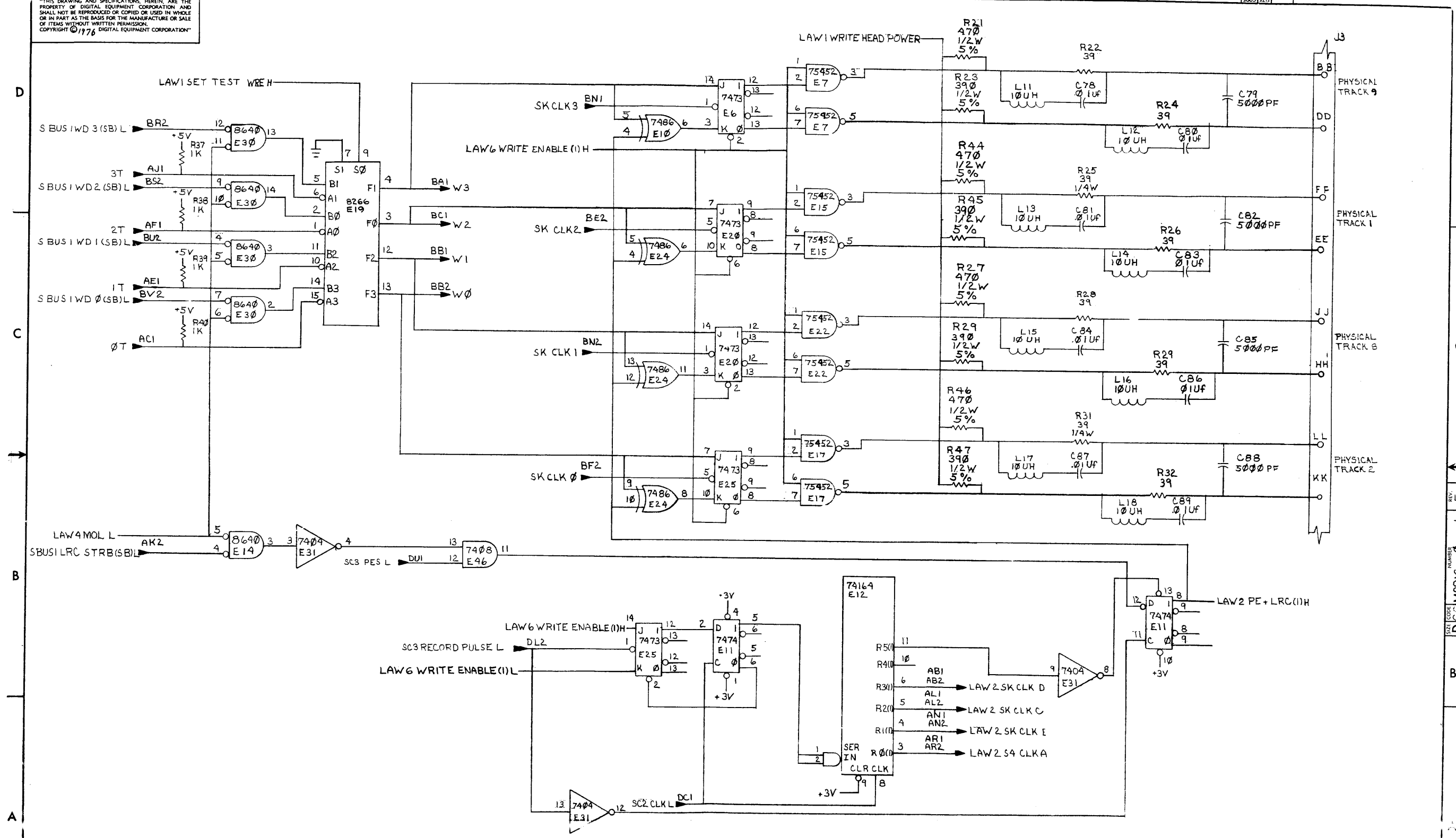
| | | |
|------------------------|----------------------|---------------------------------------|
| DRN. G. HOBBS 9-76 | FIRST USED ON TU16-J | digital |
| CHK'D. [Signature] | 11/14/76 | |
| ENG. [Signature] | 11/20/76 | TITLE LOGIC AND WRITE BOARD (LAW1) |
| PROJ. ENG. [Signature] | 11/20/76 | |
| PROD. [Signature] | 11/20/76 | |
| NEXT HIGHER ASSY. | | |
| B-DD-M8916-0-0 | SIZE CODE | NUMBER |
| SCALE | D | CS M8916-0-1 |
| SHEET 1 OF 7 | DIST. | REV. E |

D
C
B
A

D
C
B
A

THIS DRAWING AND SPECIFICATIONS HEREIN ARE THE PROPERTY OF DIGITAL EQUIPMENT CORPORATION AND SHALL NOT BE REPRODUCED OR COPIED OR USED IN WHOLE OR IN PART AS THE BASIS FOR THE MANUFACTURE OR SALE OF ITEMS WITHOUT WRITTEN PERMISSION. COPYRIGHT © 1976 DIGITAL EQUIPMENT CORPORATION

DCS M8916-0-1 2

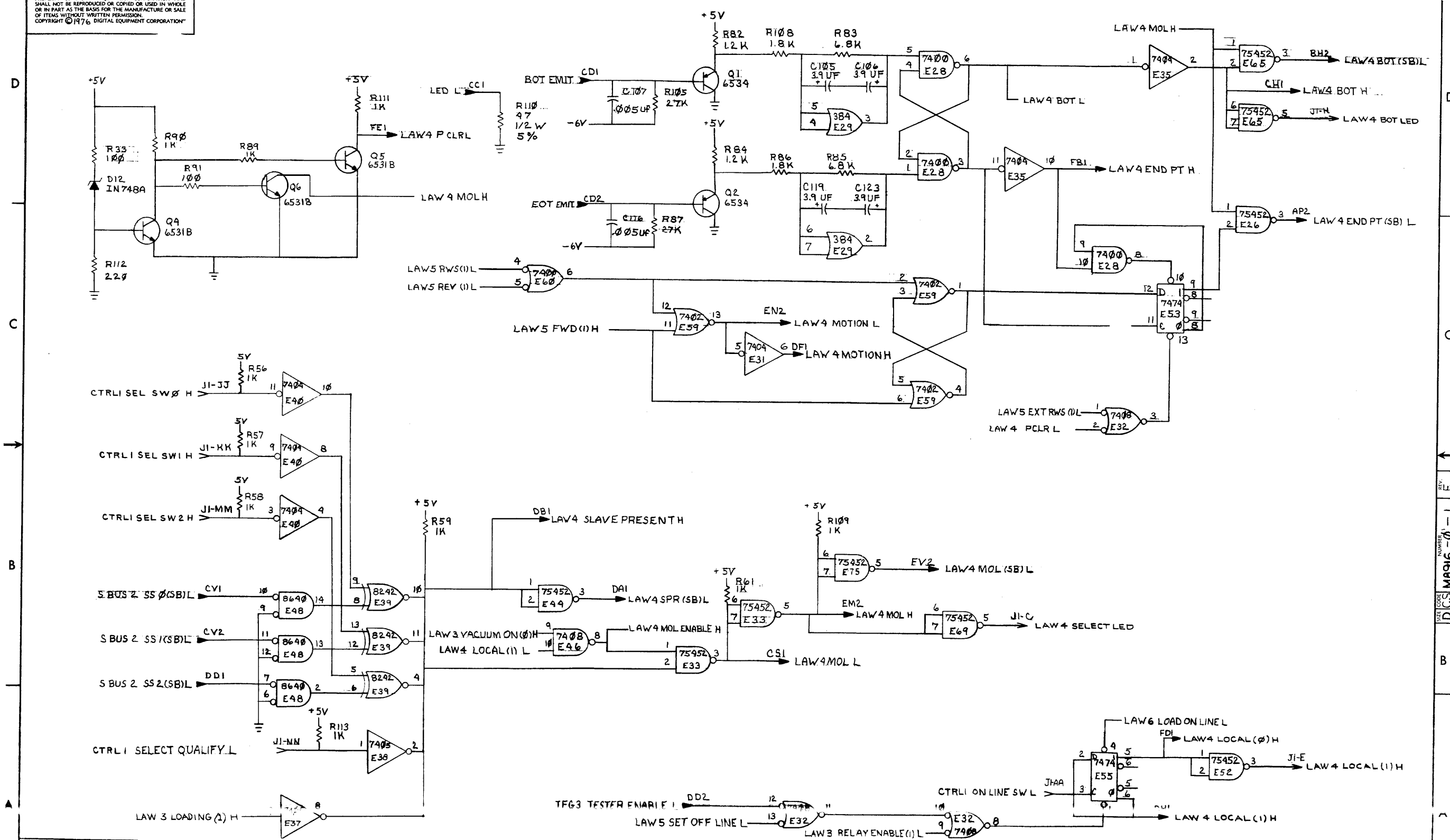


NUMBER DCS M8916-0-1
 SIZE CODE E
 REV. 1

| REVISIONS | | |
|-----------|------------|------|
| CHK | CHANGE NO. | REV. |
| | | |

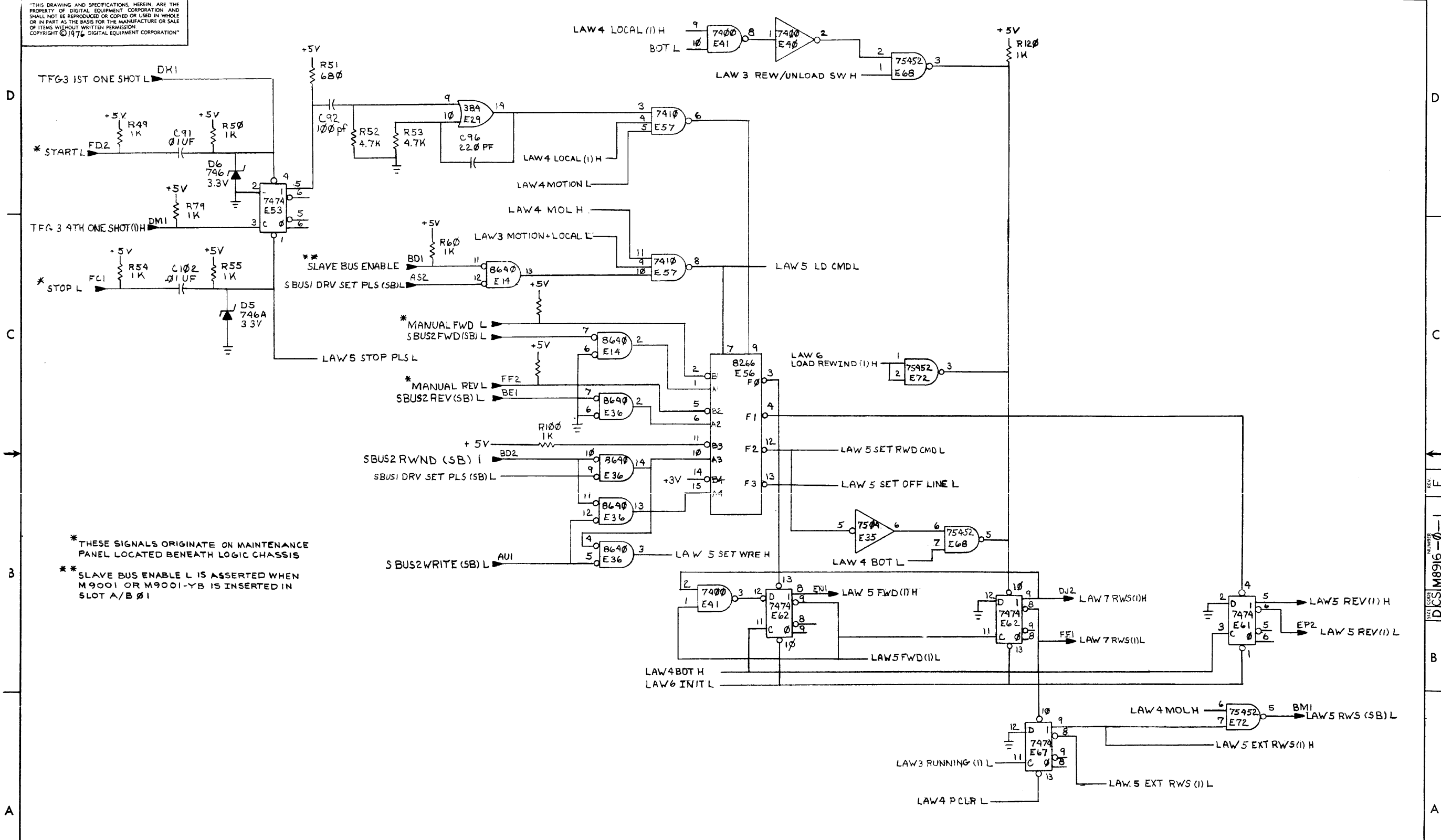
| | | | | | | | |
|-------|----------------------------|-----------|-------|--------|-----------|------|---|
| TITLE | LOGIC AND WRITE BOARD LAW2 | SIZE CODE | D CS | NUMBER | M8916-0-1 | REV. | E |
| SCALE | SHEET 2 OF 7 | | DIST. | | | | |

"THIS DRAWING AND SPECIFICATIONS, HEREIN, ARE THE PROPERTY OF DIGITAL EQUIPMENT CORPORATION AND SHALL NOT BE REPRODUCED OR COPIED OR USED IN WHOLE OR IN PART AS THE BASIS FOR THE MANUFACTURE OR SALE OF ITEMS WITHOUT WRITTEN PERMISSION. COPYRIGHT © 1976 DIGITAL EQUIPMENT CORPORATION"



| REVISIONS | | |
|-----------|------------|------|
| CHK | CHANGE NO. | REV. |
| | | |

"THIS DRAWING AND SPECIFICATIONS HEREIN ARE THE PROPERTY OF DIGITAL EQUIPMENT CORPORATION AND SHALL NOT BE REPRODUCED OR COPIED OR USED IN WHOLE OR IN PART AS THE BASIS FOR THE MANUFACTURE OR SALE OF ITEMS WITHOUT WRITTEN PERMISSION. COPYRIGHT © 1976 DIGITAL EQUIPMENT CORPORATION"

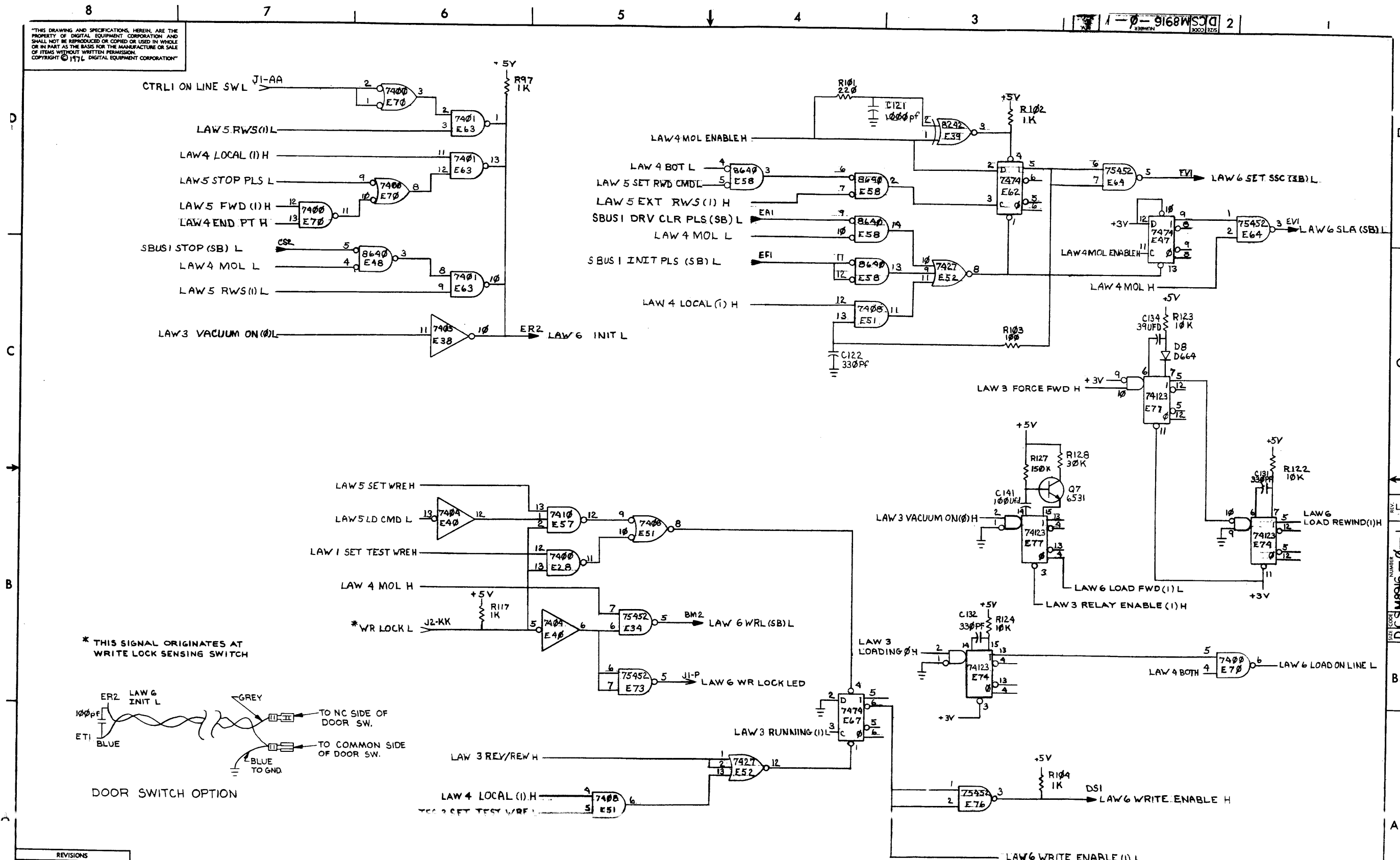


* THESE SIGNALS ORIGINATE ON MAINTENANCE PANEL LOCATED BENEATH LOGIC CHASSIS
 ** SLAVE BUS ENABLE L IS ASSERTED WHEN M9001 OR M9001-YB IS INSERTED IN SLOT A/B 01

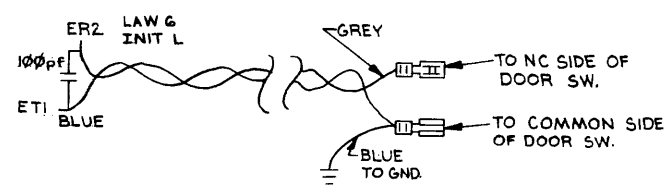
| REVISIONS | | |
|-----------|------------|------|
| CHK | CHANGE NO. | REV. |
| | | |

"THIS DRAWING AND SPECIFICATIONS, HEREIN, ARE THE PROPERTY OF DIGITAL EQUIPMENT CORPORATION AND SHALL NOT BE REPRODUCED OR COPIED OR USED IN WHOLE OR IN PART AS THE BASIS FOR THE MANUFACTURE OR SALE OF ITEMS WITHOUT WRITTEN PERMISSION. COPYRIGHT © 1974 DIGITAL EQUIPMENT CORPORATION"

DCS M8916 2



* THIS SIGNAL ORIGINATES AT WRITE LOCK SENSING SWITCH



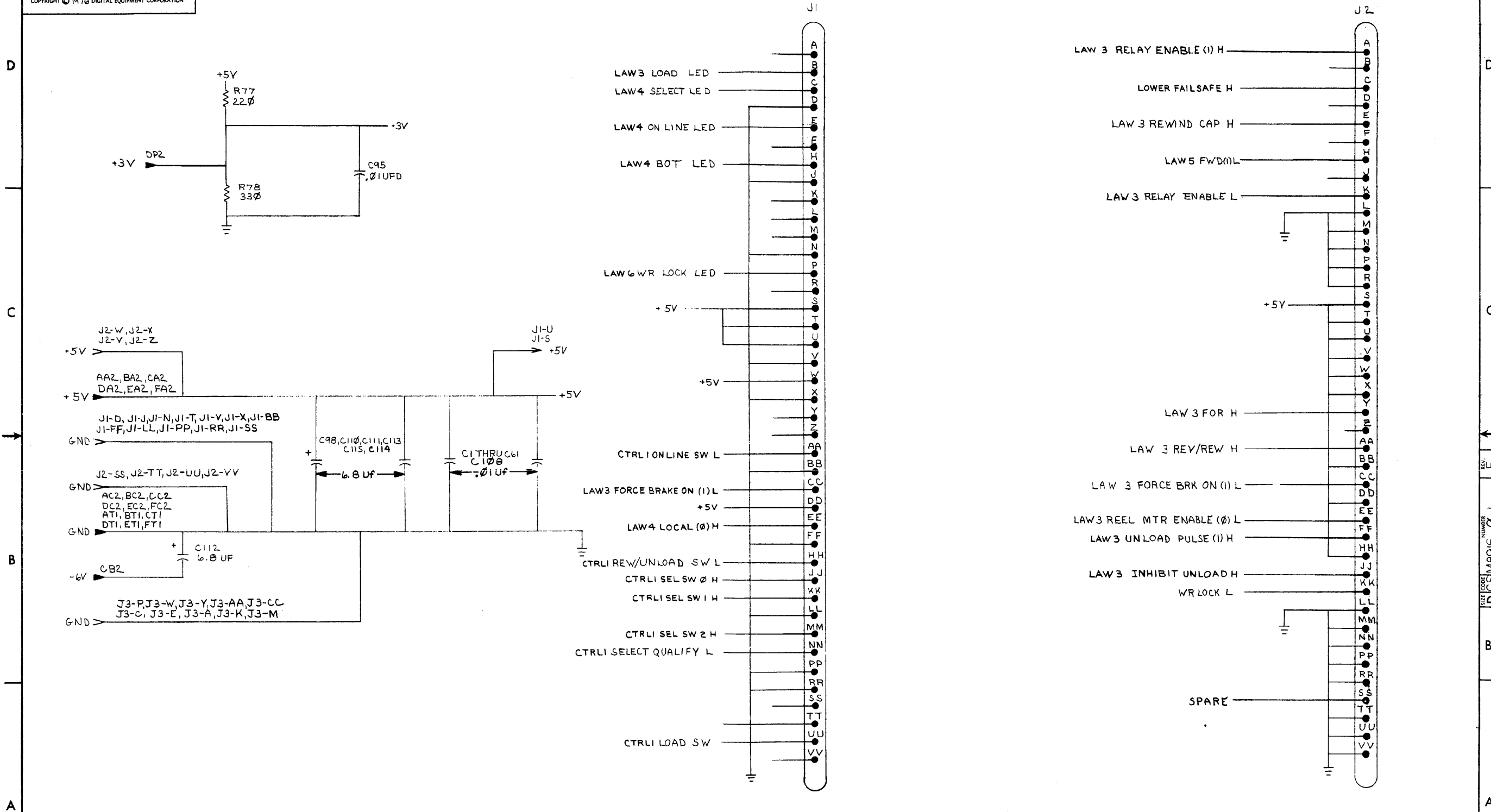
DOOR SWITCH OPTION

| REVISIONS | | |
|-----------|------------|------|
| CHK | CHANGE NO. | REV. |
| | | |

DCS M8916 - 0 - 1 E

"THIS DRAWING AND SPECIFICATIONS, HEREIN, ARE THE PROPERTY OF DIGITAL EQUIPMENT CORPORATION AND SHALL NOT BE REPRODUCED OR COPIED OR USED IN WHOLE OR IN PART AS THE BASIS FOR THE MANUFACTURE OR SALE OF ITEMS WITHOUT WRITTEN PERMISSION. COPYRIGHT © 1976 DIGITAL EQUIPMENT CORPORATION"

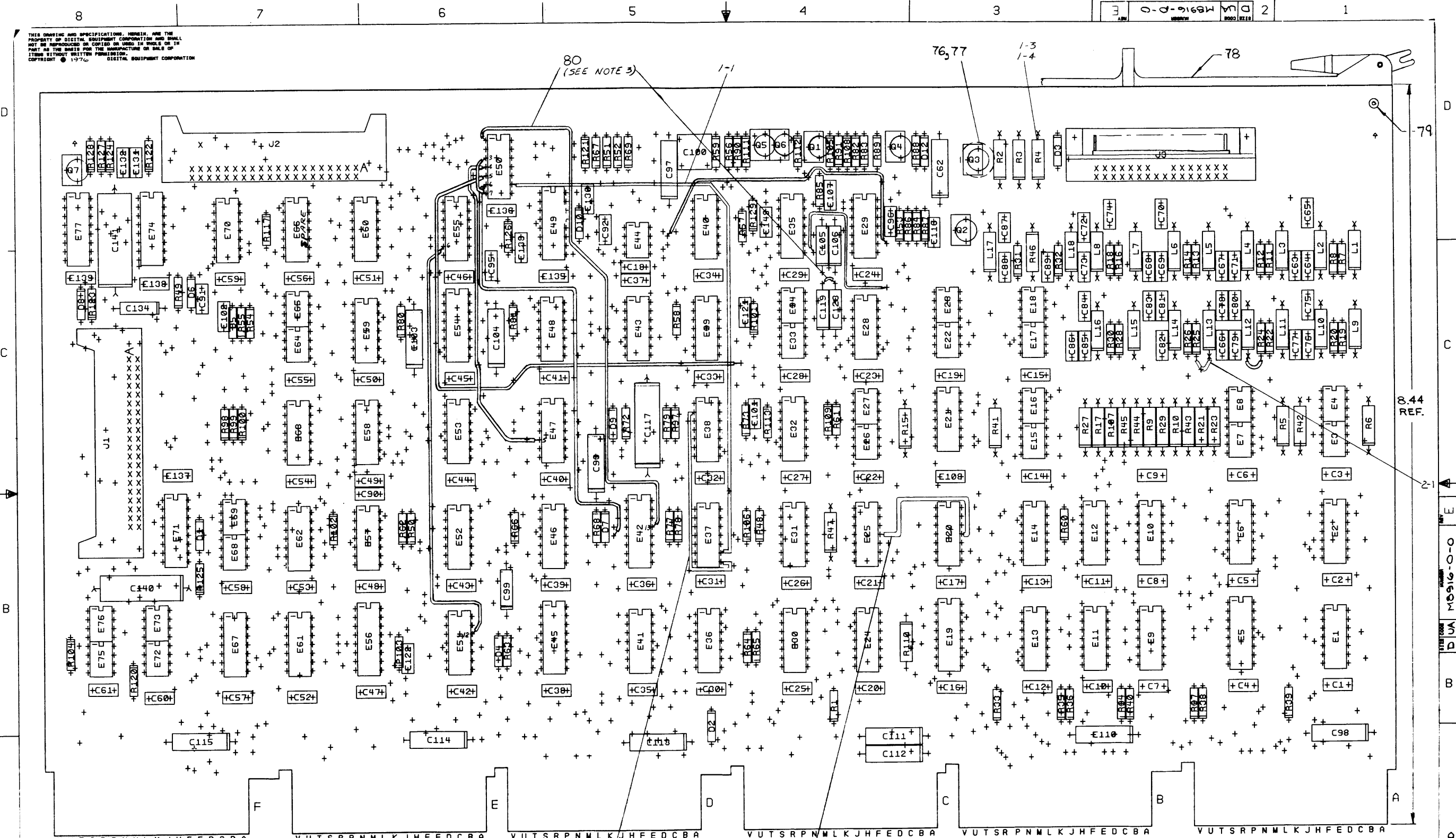
DCS M8916-0-1 2



| REVISIONS | | |
|-----------|------------|------|
| CHK | CHANGE NO. | REV. |
| | | |

TITLE LOGIC AND WRITE BOARDLAWI SIZE CODE DCS M8916-0-1 NUMBER REV. E
 SCALE SHEET 7 OF 7 DIST.

THIS DRAWING AND SPECIFICATIONS, HEREIN, ARE THE PROPERTY OF DIGITAL EQUIPMENT CORPORATION AND SHALL NOT BE REPRODUCED OR COPIED OR USED IN WHOLE OR IN PART AS THE BASIS FOR THE MANUFACTURE OR SALE OF ITEMS WITHOUT WRITTEN PERMISSION. COPYRIGHT © 1970 DIGITAL EQUIPMENT CORPORATION



NOTES: **KEYWORD INSTRUCTIONS:**
 1. C62, C67, C104, C105 CHT ARE TO BE INSTALLED WITH + SIDE TOWARD FINGER END.
 2. GRICH CUTS SHOWN ON SHEET 2.
 3. ADD 10 JUMPER WIRES, ITEM 80.
 ECU #1: 1-1. ADD WIRE, E50-9 TO E37 PIN9.
 1-2. ADD WIRE, E37-B TO E38-2.
 1-3. DELETE COMPONENT R4 (P/N 13-00274-00)
 1-4. ADD COMPONENT R4 (P/N 13-00195-00)

| CHANGE NO | REV | DESCRIPTION | DATE | BY | CHKD |
|-----------|-----|----------------|----------|---------|------|
| 1 | A | INITIAL DESIGN | 11/10/70 | H. DRAB | |
| 2 | B | REVISION | 11/10/70 | H. DRAB | |
| 3 | C | REVISION | 11/10/70 | H. DRAB | |
| 4 | D | REVISION | 11/10/70 | H. DRAB | |
| 5 | E | REVISION | 11/10/70 | H. DRAB | |
| 6 | F | REVISION | 11/10/70 | H. DRAB | |

| ETCH REV. | DATE | BY | CHKD |
|-----------|------|----|------|
| C | | | |
| | | | |
| | | | |

P.C. DESIGN DATA BASE REV. CL

| SIGNATURES | DATE | TITLE | LOGIC AND WRITE BOARD |
|--------------------------------|----------|-----------|-----------------------|
| DRN. J. FREEMAN | 11/10/70 | | |
| CHK D. J. FREEMAN | 11/10/70 | | |
| ENG. J. FREEMAN | 11/10/70 | | |
| PROJ. ENG. J. FREEMAN | 11/10/70 | | |
| PROD. J. FREEMAN | 11/10/70 | | |
| SCALE 2/1 | | SIZE CODE | NUMBER |
| SHT. 1 OF 8 | | D UA | M8916-0-0 |
| NEXT HIGHER ASSY. B-DD-M8916-0 | | | |

20 44
R.F.F.

D UA M8916-0-0

| LINE | ITEM | DOCUMENT NO. | PART NO. | DESCRIPTION | QTY | REFERENCE DESIGNATORS |
|------|------|------------------|------------|--|---------|---|
| 1 | 1 | B-DD-M8916-0-0 | | DWG, DIRECTORY | | REF |
| 2 | 2 | D-UA-M8916-0-0 | | UNIT ASSY | | REF |
| 3 | 3 | D-CS-M8916-0-1 | | CIRCUIT SCHEMATIC | | REF |
| 4 | 4 | D-MD-5012345-0-0 | | DRILL & ETCH DWG. | | REF |
| 5 | 5 | | 5012345-00 | M8916 | | |
| 6 | 6 | | 1000021-00 | 220.0 MMF 100V 5%200PPM DM15S | (10-00) | 1 C96 |
| 7 | 7 | | 1000023-00 | 330.0 MMF 100V 5%200PPM DM15S | (10-00) | 4 C122,C130-C132 |
| 8 | 8 | | 1000043-00 | 1000.0 MMF 250V 20% Y5F DISCS | | 3 C121,C133,C142 |
| 9 | 9 | | 1000064-00 | 3.9MFD 10V 10% 150D S.TA | (10-00) | 6 C99,C105,C106,C119,C123,C134 |
| 10 | 10 | | 1000076-00 | 39 MFD 10V 10% 150D S.TA | (10-00) | 3 C93,C97,C104 |
| 11 | 11 | | 1004812-00 | 15 MFD 20V 10% 150D S.TA | (10-00) | 1 C103 |
| 12 | 12 | | 1001774-00 | .05 MFD 25V X% Y5U DISC | | 1 C100 |
| 13 | 13 | | 1002433-00 | 22 MFD 35V 20% 150D S.TA | (10-00) | 1 C62 |
| 14 | 14 | | 1009808-00 | 330 MFD 10V 20% 145D TANT | | 2 C117,C140 |
| 15 | 15 | | 1005306-00 | 6.8MFD 35V 10% 150D S.TA | (10-00) | 7 C98,C110-C115 |
| 16 | 16 | | 1001765-00 | 5000.0 MMF 100V 20% Z5U DISCS | | 11 C64,C69,C71,C73,C76,C79,C82, CONT C85,C88,C107,C116 |
| 17 | 17 | | 1001610-01 | .01 MFD 100V OR 50V Z5U DISC/800PF MIN | | 89 C1-C61,C65-C68,C63,C70,C72, CONT C74,C75,C77,C78,C80,C81,C83, CONT C84,C86,C87,C89,C91,C95,C101, CONT C102,C108,C135-C139 |
| 18 | 18 | | 1000024-00 | 470.0 MMF 100V 5%200PPM DM15S | (10-00) | 1 C90 |
| 19 | 19 | | 1000016-00 | 100.0 MMF 100V 5%200PPM DM15S | (10-00) | 1 C92 |
| 20 | 20 | | 1004815-00 | 100 MFD 20V 10% 150D S.TA | (10-00) | 1 C141 |
| 21 | 21 | | 1100114-00 | D 664 QS\75PCB PIV= 25V SP | | 7 D1,D2,D4,D7-D10 |
| 22 | 22 | | 1100122-00 | 1N 748A VZ= 3.9 5% | | 1 D12 |
| 23 | 23 | | 1102162-00 | D 670-1PIV=100 I=.13 | | 1 D3 |
| 24 | 24 | | 1104860-00 | 1N 746A VZ= 3.3 5% | | 2 D5,D6 |
| 25 | 25 | | 1209941-02 | HEADER 100 40POS RT ANGLE S | | 2 J1,J12 |
| 26 | 26 | | 1210067-02 | EDGE CARD 28PIN BLADE KEY 2 | | 1 J3 |

| REVISION HISTORY | | | VARIATIONS FOR THIS ASSY. | | DIGITAL EQUIPMENT CORPORATION MAYNARD, MASSACHUSETTS | | | |
|---|--------|-----|---------------------------|-----------------|---|----------|------------------------------|----------|
| CHK | ECO NO | REV | | | TITLE | | | |
| D,R | 00003 | E | 00 | | PARTS LIST | | | |
| FIRST USED ON: TE16 | | | | | LOGIC AND WRITE BOARD | | | |
| | | | MADE BY: H.WEINBRENNER | DATE: 15-MAY-78 | | | | |
| | | | CHECKED: P.BOSSMAN | DATE: 15-MAY-78 | | | | |
| | | | DSN.ENG.: H.DRAB | DATE: 15-MAY-78 | | | | |
| | | | PROD.: G.DILLARD | DATE: 15-MAY-78 | SIZE: K | CODE: PL | DOCUMENT NUMBER: M8916-0-DBP | REV: E |
| | | | RESP.ENG.: H.DRAB | DATE: 15-MAY-78 | ASSY.NO.: D-UA-M8916-0-0 | | | EDIT#: 4 |
| <p>*THIS DRAWING AND SPECIFICATIONS HEREIN, ARE THE PROPERTY OF DIGITAL EQUIPMENT CORPORATION AND SHALL NOT BE REPRODUCED OR COPIED OR USED IN WHOLE OR IN PART AS THE BASIS FOR THE MANUFACTURE OR SALE OF ITEMS WITHOUT WRITTEN PERMISSION. COPYRIGHT 1978, DIGITAL EQUIPMENT CORPORATION *</p> | | | | | | | | |

| LINE | ITEM | DOCUMENT NO. | PART NO. | DESCRIPTION | QTY | REFERENCE DESIGNATORS |
|------|------|--------------|------------|---|-----------|--|
| 27 | 27 | | 1300195-00 | 33 1/2W 5% CC | (13-00 1 | R4 |
| 28 | 28 | | 1300271-00 | 220 1/4W 5% CC | (13-00 5 | R66,R77,R101,R112,R129 |
| 29 | 29 | | 1300295-00 | 330 1/4W 5% CC | (13-00 1 | R78 |
| 30 | 30 | | 1300315-00 | 470 1/2W 5% CC | (13-00 10 | R3,R5,R9,R15,R21,R27,R41,R42, CONT R44,R46 |
| 31 | 31 | | 1300365-00 | 1 K 1/4W 5% CC | (13-00 35 | R1,R33=R40,R48=R50,R54=R61, CONT R79,R89,R90,R97=R100,R102, CONT R104,R106,R109,R111,R113,R117, CONT R120 |
| 32 | 32 | | 1300398-00 | 1.8 K 1/4W 5% CC | (13-00 2 | R06,R108 |
| 33 | 33 | | 1300444-00 | 3.9 K 1/4W 5% CC | (13-00 2 | R64,R67 |
| 34 | 34 | | 1300447-00 | 4.7 K 1/4W 5% CC | (13-00 2 | R52,R53 |
| 35 | 35 | | 1300479-00 | 10 K 1/4W 5% CC | (13-00 6 | R63,R68,R121=R124 |
| 36 | 36 | | 1300488-00 | 12 K 1/4W 5% CC | (13-00 1 | R69 |
| 37 | 37 | | 1301320-00 | 1.2 K 1/4W 5% CC | (13-00 3 | R73,R82,R84 |
| 38 | 38 | | 1301423-00 | 6.8 K 1/4W 5% CC | (13-00 2 | R83,R85 |
| 39 | 39 | | 1301424-00 | 580 1/4W 5% CC | (13-00 1 | R51 |
| 40 | 40 | | 1302177-00 | 47 K 1/4W 5% CC | (13-00 2 | R72,R125 |
| 41 | 41 | | 1302377-00 | 39 1/4W 5% CC | (13-00 18 | R7,R8,R11=R14,R16,R18=R20,R22, CONT R24=R26,R28,R30=R32 |
| 42 | 42 | | 1305346-00 | 27 K 1/4W 5% CC | (13-00 2 | R87,R105 |
| 43 | 43 | | 1300229-00 | 100 1/4W 5% CC | (13-00 4 | R62,R88,R91,R103 |
| 44 | 44 | | 1300354-00 | 750 1/2W 5% CC | (13-00 1 | R2 |
| 45 | 45 | | 1302391-00 | 20 K 1/4W 5% CC | (13-00 2 | R00,R126 |
| 46 | 46 | | 1301695-00 | 47 1/2W 5% CC | (13-00 1 | R110 |
| 47 | 47 | | 1300308-00 | 390 1/2W 5% CC | (13-00 9 | R6,R10,R17,R23,R29,R45,R43, CONT R47,R107 |
| 48 | 48 | | 1301808-00 | 22 K 1/4W 5% CC | (13-00 1 | R81 |
| 49 | 49 | | 1300219-00 | 68 1/4W 5% CC | (13-00 1 | R65 |
| 50 | 50 | | 1302396-00 | 150 K 1/4W 5% CC | (13-00 1 | R127 |
| 51 | 51 | | 1302394-00 | 30 K 1/4W 5% CC | (13-00 1 | R128 |
| 52 | 52 | | 1503409-01 | DEC6534B PNP 310MW SI 40 90 P | 2 | Q1,Q2 |
| 53 | 53 | | 1509338-00 | DEC6531B NPN 310MW SI 40 90 P | 4 | Q4-Q7 |
| 54 | 54 | | 1509649-00 | DEC3762 PNP 4WC SI 40 30 MS | 1 | Q3 |
| 55 | 55 | | 1609477-00 | 10. UH 10% 450MA #SWD10 | 18 | L1-L18 |
| 56 | 56 | | 1905547-00 | DEC 7474 FF-D DUAL,EDGE TRIGGER,15MHZ | 8 | E11,E47,E50,E53,E55,E61,E62, CONT E67 |
| 57 | 57 | | 1905575-00 | 7400 NAND GATE-QUAD 2IN | 4 | E28,E41,E60,E70 |
| 58 | 58 | | 1905576-00 | 7410 NAND GATE-TRIPLE 3IN | 1 | E57 |
| 59 | 59 | | 1910645-00 | 75452 DRIVER,PERIPH,DUAL,NAND | 1 | E44 |
| 60 | 60 | | 1905587-00 | DEC 7473 FF-JK DUAL,MASTER SLAVE,10MHZ | 5 | E2,E6,E20,E21,E25 |
| 61 | 61 | | 1905590-00 | DEC 7401 NAND GATE-QUAD 2IN,OPN COLLECT | 1 | E63 |
| 62 | 62 | | 1909004-00 | DEC 7402 NOR GATE-QUAD 2IN | 2 | E43,E59 |
| 63 | 63 | | 1909486-00 | DEC 384 OR GATE-QUAD 2IN,UTILOGIC | 1 | E29 |
| 64 | 64 | | 1909686-00 | 7404 INVERTER GATE=HEX 1IN | 3 | E31,E35,E40 |
| 65 | 65 | | 1909712-00 | DEC 8242 COMPARTOR=4BIT N,OPN COLL, | 1 | E39 |
| 66 | 66 | | 1909930-00 | 7405 INVERTER GATE=HEX 1IN,OPEN COL | 2 | E37,E38 |
| 67 | 67 | | 1909934-00 | 8266 MUS 1 OF 2 (QUAD) | 3 | E5,E19,E56 |

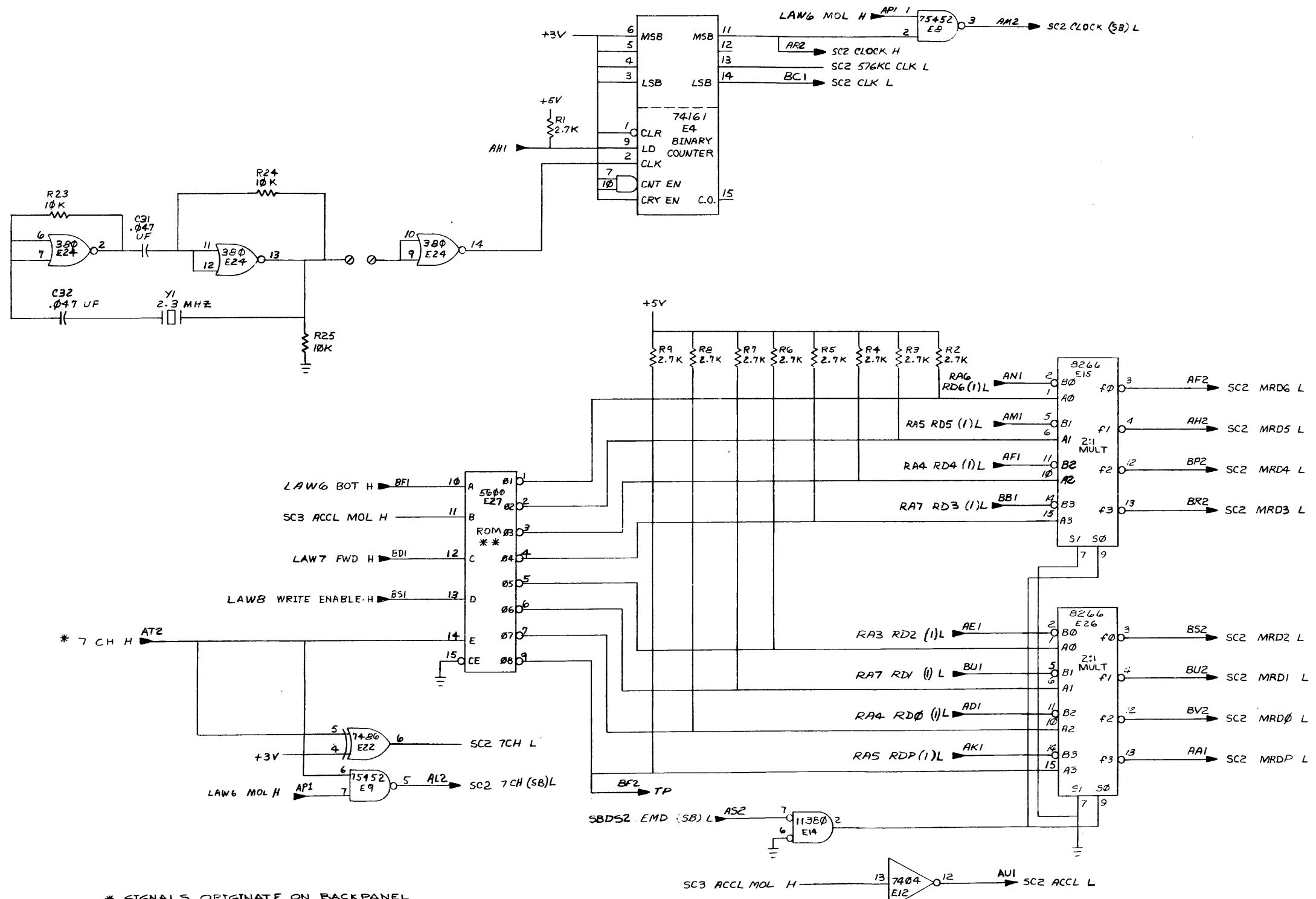
| | | | | | | |
|---|--------------------------------|------------|-----------|------------|--------------------------------|----------|
| DIGITAL EQUIPMENT CORPORATION MAYNARD, MASSACHUSETTS | TITLE LOGIC AND WRITE BOARD | PARTS LIST | SIZE K | CODE PL | DOCUMENT NUMBER M8916-0-DBP | REV E |
|---|--------------------------------|------------|-----------|------------|--------------------------------|----------|

| LINE ITEM | DOCUMENT NO. | PART NO. | DESCRIPTION | QTY | REFERENCE DESIGNATORS |
|-----------|--------------|-------------|--|-----|---|
| 68 | 68 | 1910011-00 | DEC 7486 X-OR GATE-QUAD 2INPUT | 3 | E1,E10,E24 |
| 69 | 69 | 1910041-00 | DEC 74164 SHIFT REG,,8BIT SERIAL IN/OUT | 1 | E12 |
| 70 | 70 | 1910155-00 | DEC 7408 AND GATE,POS,QUAD 2IN 14 | 3 | E32,E46,E51 |
| 71 | 71 | 1910436-00 | DEC 74123 ONE SHOT-DUAL,RETRIGGERABLE | 7 | E42,E45,E49,E54,E77,E71,E74 |
| 72 | 72 | 1910878-00 | 7427 NOR GATE-TRIPLE 3IN | 1 | E52 |
| 73 | 73 | 1911469-00 | DEC 8640 RECEIVER,BUS,QUAD,UNIBUS,Q-BU | 6 | E9,E14,E30,E36,E48,E58 |
| 74 | 74 | 1905580-00 | DEC 7450 A-0-I XPNDBLE GATE-DUAL 2X2 | 1 | E13 |
| 75 | 75 | 1910645-01 | 75452 DRIVER,PERIPH,DUAL,NAND | 22 | E3,E4,E7,E8,E15,E16,E17,E18, CONT E22,E23,E26,E27,E33,E34,E64, CONT E65,E68,E69,E72,E73,E75,E76 |
| 76 | 76 | SEE NOTE 81 | 9007201-00 TRANSIPADS #10253 | 1 | |
| 77 | 77 | 1210001-00 | HEAT SINK - 2201 RED | 1 | |
| 78 | 78 | 1210711-02 | HANDLE ASSY,MOD DOEHLER=JARVIS | 1 | |
| 79 | 79 | 9006732-00 | EYELET, ROLLED FLANGE, .121 OD X .219 LG | 12 | |
| 80 | 80 | 9105740-55 | WIRE(WRAP)30AWG UL1423 (91-00 A/R | | |

81 NOTE: USE FOR Q3

| | | | | | | |
|---|--------------------------------|------------|-----------|------------|------------------------------|----------|
| DIGITAL EQUIPMENT CORPORATION MAYNARD, MASSACHUSETTS | TITLE LOGIC AND WRITE BOARD | PARTS LIST | SIZE K | CODE PL | DOCUMENT NUMBER M8916-0-0 | REV E |
|---|--------------------------------|------------|-----------|------------|------------------------------|----------|

"THIS DRAWING AND SPECIFICATIONS, HEREIN, ARE THE PROPERTY OF DIGITAL EQUIPMENT CORPORATION AND SHALL NOT BE REPRODUCED OR COPIED OR USED IN WHOLE OR IN PART AS THE BASIS FOR THE MANUFACTURE OR SALE OF ITEMS WITHOUT WRITTEN PERMISSION. COPYRIGHT © 1973, DIGITAL EQUIPMENT CORPORATION"



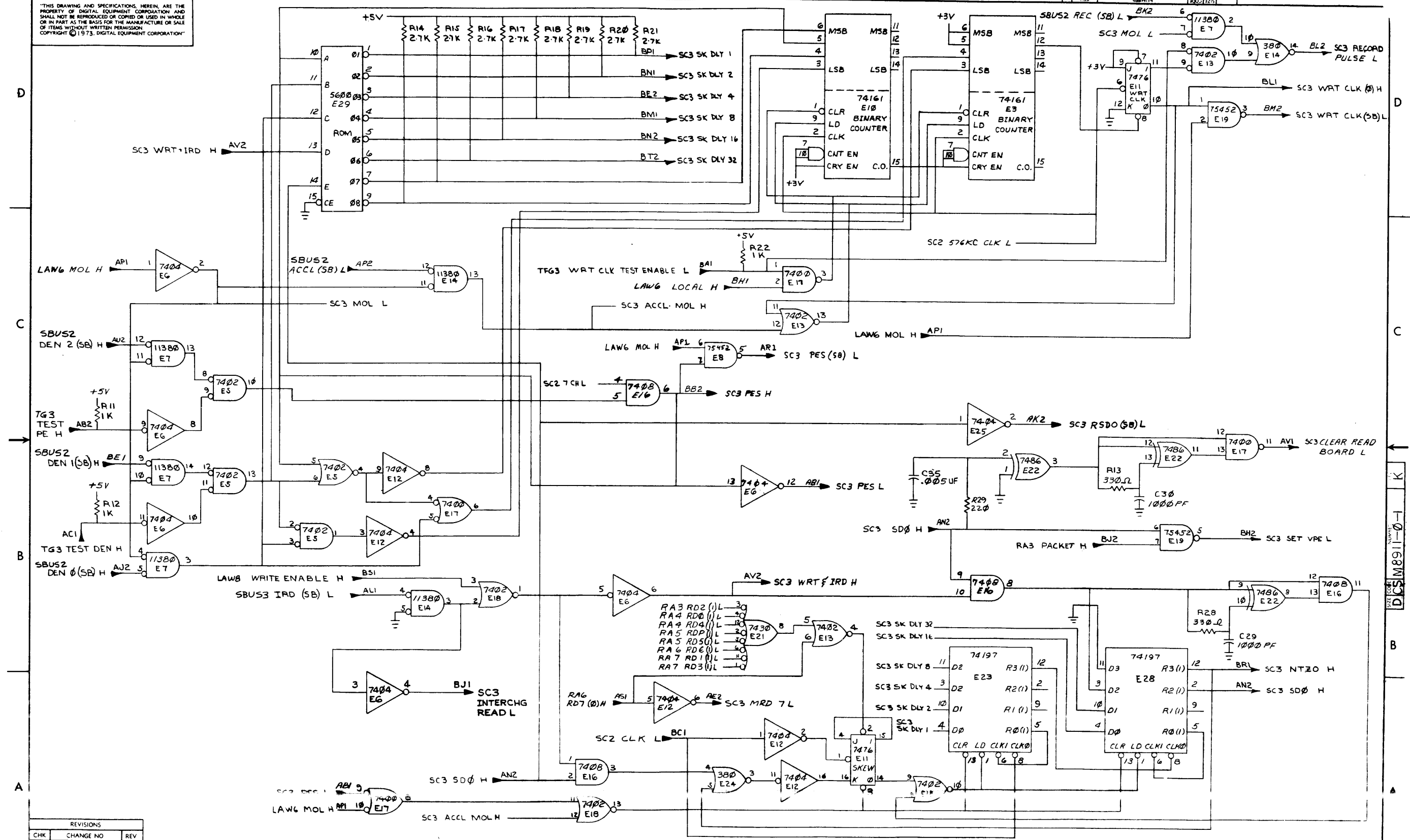
* SIGNALS ORIGINATE ON BACKPANEL
 ** SEE PARTS LIST FOR CORRECT ROM PART NUMBER

| REVISIONS | | |
|-----------|-----------|-----|
| CHK | CHANGE NO | REV |
| | | |

| | | | | | |
|-------|----------------------------|-------|------|--------------|------|
| TITLE | SLAVE CLK MOTION DLY (SC2) | SIZE | CODE | NUMBER | REV. |
| | | | D | CS M8911-0-1 | K |
| SCALE | + | SHEET | 20F3 | DIST. | |

"THIS DRAWING AND SPECIFICATIONS HEREIN ARE THE PROPERTY OF DIGITAL EQUIPMENT CORPORATION AND SHALL NOT BE REPRODUCED OR COPIED OR USED IN WHOLE OR IN PART AS THE BASIS FOR THE MANUFACTURE OR SALE OF ITEMS WITHOUT WRITTEN PERMISSION. COPYRIGHT © 1973, DIGITAL EQUIPMENT CORPORATION"

X 10-1168WS3D 2



DCS M8911-0-1

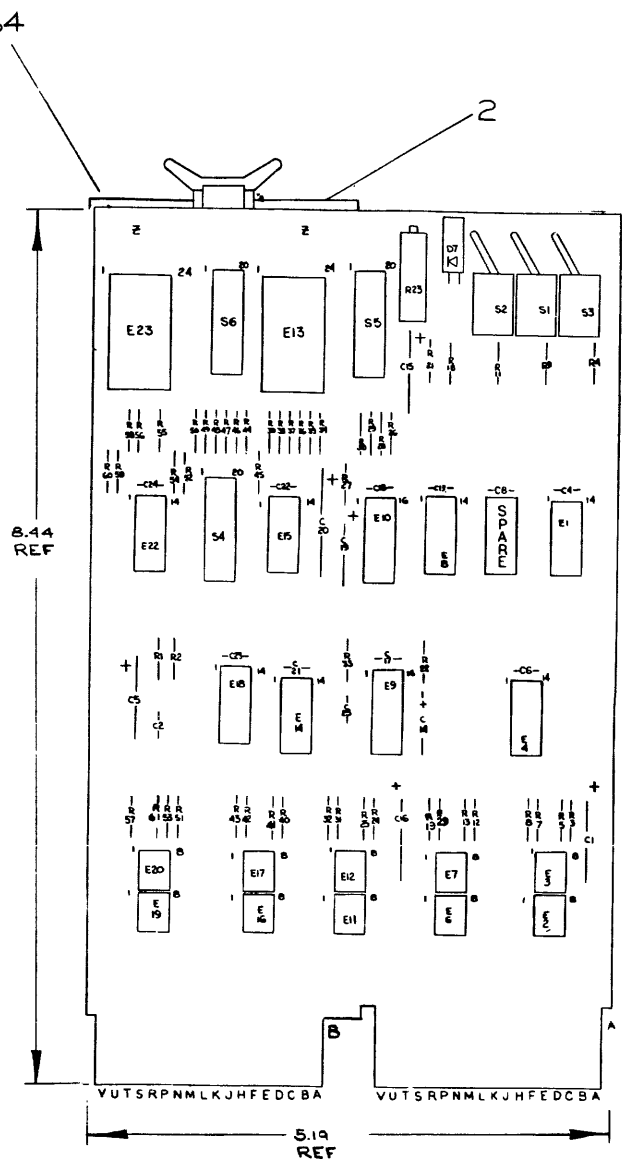
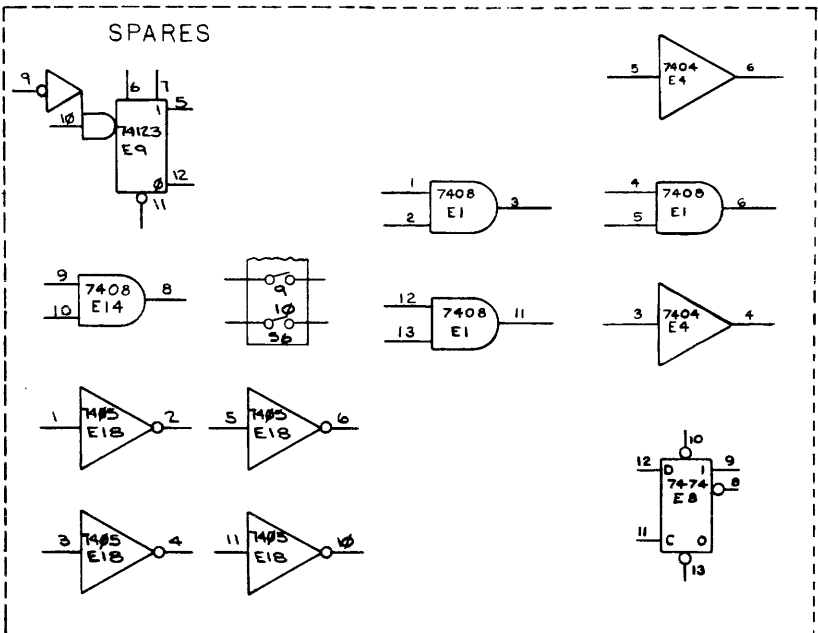
| REVISIONS | | |
|-----------|-----------|-----|
| CHK | CHANGE NO | REV |
| | | |

THIS DRAWING AND SPECIFICATIONS HEREIN ARE THE PROPERTY OF DIGITAL EQUIPMENT CORPORATION AND SHALL NOT BE REPRODUCED OR COPIED OR USED IN WHOLE OR IN PART AS THE BASIS FOR THE MANUFACTURE OR SALE OF ITEMS WITHOUT WRITTEN PERMISSION. COPYRIGHT © 1973, DIGITAL EQUIPMENT CORPORATION.

NOTES:

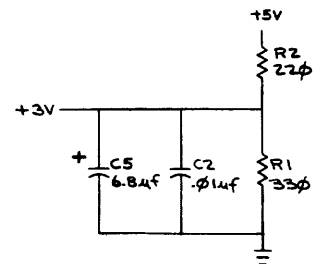
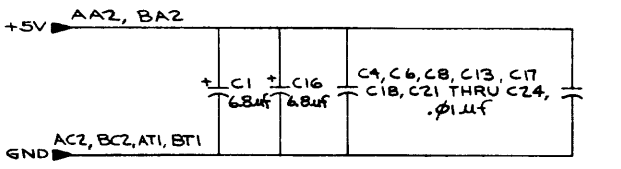
| DASH VAR | DESCRIPTION |
|----------|---------------------------------|
| -01 | TWO PARTS IN ONE 16 PIN CARRIER |

1-0-2168W SCD 2



| REF | DESCRIPTION | PART NO. | ITEM NO. |
|-----|---|-------------------------|----------------|
| REF | X-Y COORDINATE HOLE LOCATION | K-CO-M8912-0-4 | E _F |
| REF | ASSY/DRILLING HOLE LAYOUT | D-AH-M8912-0-5 | E _F |
| REF | MODULE ECO HISTORY | B-MH-M8912-0-6 | E _F |
| 1 | ETCHED CIRCUIT BOARD | 5010614 | 1 |
| 1 | HANDLE, FLIP-CHIP, MAGENTA | 9008337-06 | 2 |
| 1 | | | 3 |
| 1 | C25 | CAP 470 PF 100V 5% D.M. | 4 |
| 2 | C14, C19 | CAP 3.9μF 100V 10% TANT | 5 |
| 17 | C2, C4, C17, C18, C21-24, C6, C8, C13 | CAP .01μF 100V 20% DISC | 6 |
| 1 | C15 | CAP 10μF 20V 10% TANT | 7 |
| 1 | C20 | CAP 100μF 20V 10% TANT | 8 |
| 3 | C1, C5, C16 | CAP 6.8μF 35V 10% TANT | 9 |
| 1 | D7 | DIODE, LIGHT EMITTING | 10 |
| 1 | R33 | RES 150 1/4W 5% | 11 |
| 1 | R2 | RES 220 1/4W 5% | 12 |
| 1 | R1 | RES 330 1/4W 5% | 13 |
| 5 | R4, R9, R11, R40, R61 | RES 1K 1/4W 5% | 14 |
| 49 | R3, R5, R7, R8, R12, R13, R19 THRU R21, R24, R25, R26, R28 THRU R32, R34 THRU R39, R41 THRU R60 | RES 4.7K 1/4W 5% | 15 |
| 1 | R22 | RES 10K 1/4W 5% | 16 |
| 1 | R27 | RES 15K 1/4W 5% | 17 |
| 1 | R18 | RES 270 1/4W 5% | 18 |
| 1 | R23 | RES 50K 3/4W 10% 76 PR | 19 |
| | | | 20 |
| | | | 21 |
| | | | 22 |
| | | | 23 |
| 1 | E4 | IC 7404 | 24 |
| 2 | E15, E22 | IC 74197 | 25 |
| 2 | E1, E14 | IC 7408 | 26 |
| 2 | E9, E10 | IC 74123 | 27 |
| 5 | (E2-E3), (E6-E7), (E11-E12), (E16-E17), (E19, E20) | IC 75452 | 28 |
| 2 | E13, E23 | IC 74199 | 29 |
| 1 | E8 | IC 7474 | 30 |
| 1 | E18 | IC 7405 | 31 |
| 3 | S1, S2, S3 | SWITCH, TOGGLE | 32 |
| 3 | S4, S5, S6 | SWITCH, DIP OF 10 | 33 |
| 2 | | EYELET | 34 |

* NOTE



| IC TYPE | GND | +5V |
|---------|-----|-----|
| 74199 | 12 | 24 |
| 75452 | 4 | 8 |
| 74123 | 5 | 10 |

GND AND 5V ARE USUALLY PIN 7 AND 14 RESPECTIVELY. EXCEPTIONS ARE STATED ABOVE.

FIRST USED ON OPTION MODEL: TU16

ETCH BOARD REV: D

REVISIONS: H. DRAB, 1/5/73; JOHN HESS, 7/31/74; R. CORNEAU, 5-86-75

SEMICONDUCTOR CONVERSION CHART

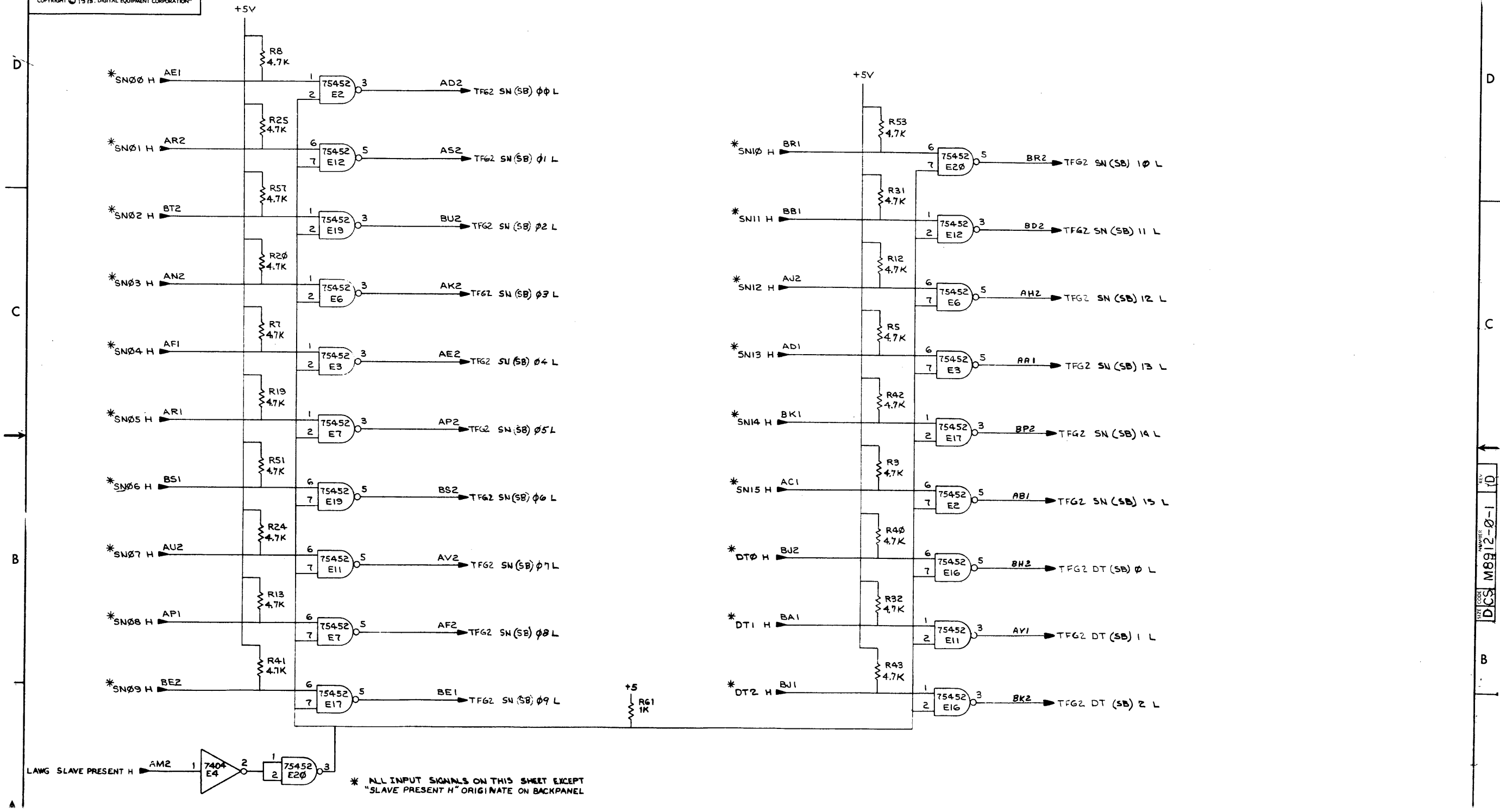
digital EQUIPMENT CORPORATION
SLAVE TEST (TFGI) FUNCTION GENERATOR

SIZE CODE: DCS M8912-0-1

SHEET 1 OF 3

DCS M8912-0-1

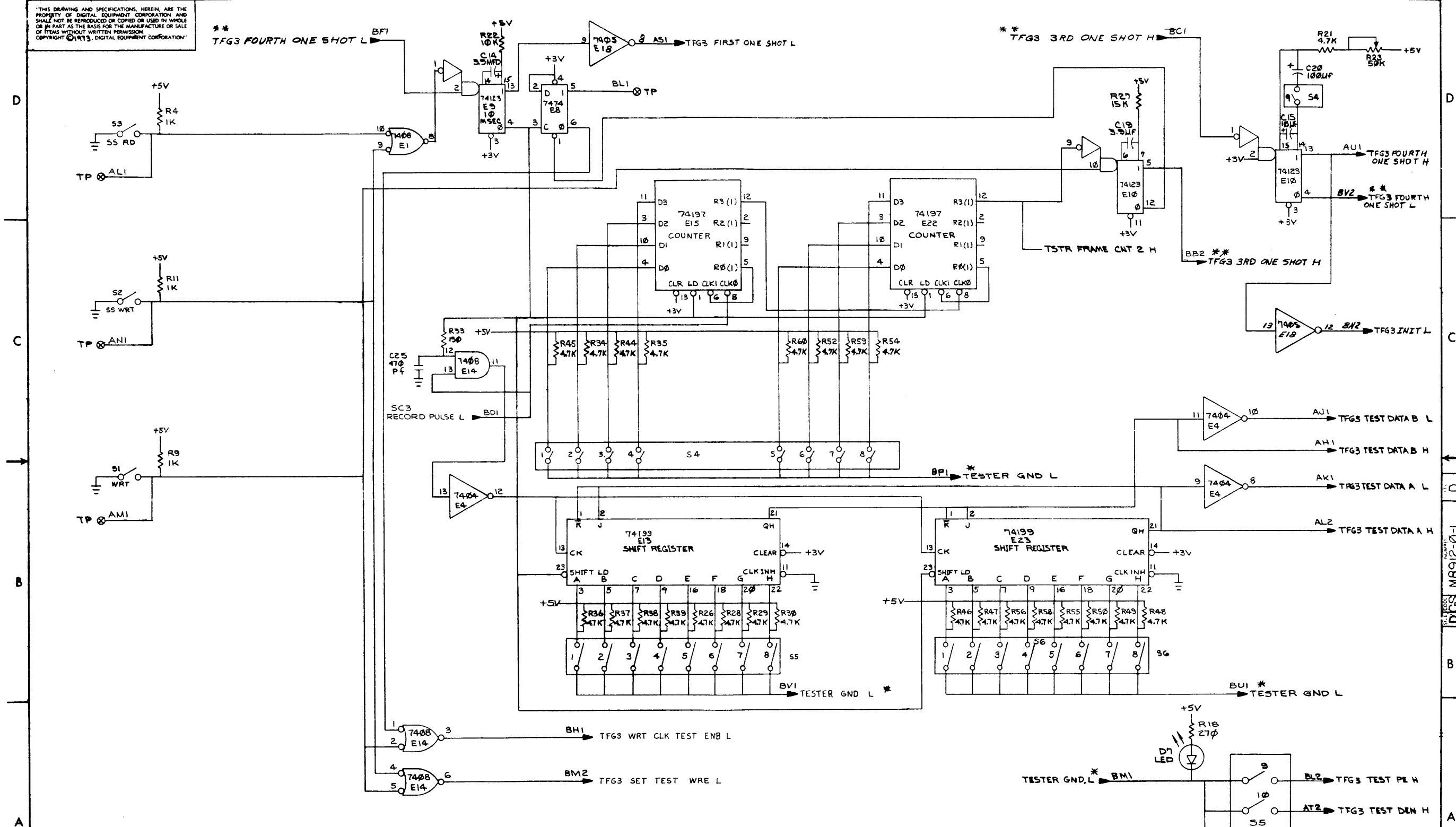
"THIS DRAWING AND SPECIFICATIONS, HEREIN, ARE THE PROPERTY OF DIGITAL EQUIPMENT CORPORATION AND SHALL NOT BE REPRODUCED OR COPIED OR USED IN WHOLE OR IN PART AS THE BASIS FOR THE MANUFACTURE OR SALE OF ITEMS WITHOUT WRITTEN PERMISSION. COPYRIGHT © 1978, DIGITAL EQUIPMENT CORPORATION"



* ALL INPUT SIGNALS ON THIS SHEET EXCEPT "SLAVE PRESENT H" ORIGINATE ON BACKPANEL

| REVISIONS | | |
|-----------|------------|------|
| CHK | CHANGE NO. | REV. |
| | | |

THIS DRAWING AND SPECIFICATIONS, HEREIN, ARE THE PROPERTY OF DIGITAL EQUIPMENT CORPORATION AND SHALL NOT BE REPRODUCED OR COPIED OR USED IN WHOLE OR IN PART AS THE BASIS FOR THE MANUFACTURE OR SALE OF ITEMS WITHOUT WRITTEN PERMISSION. COPYRIGHT © 1973, DIGITAL EQUIPMENT CORPORATION

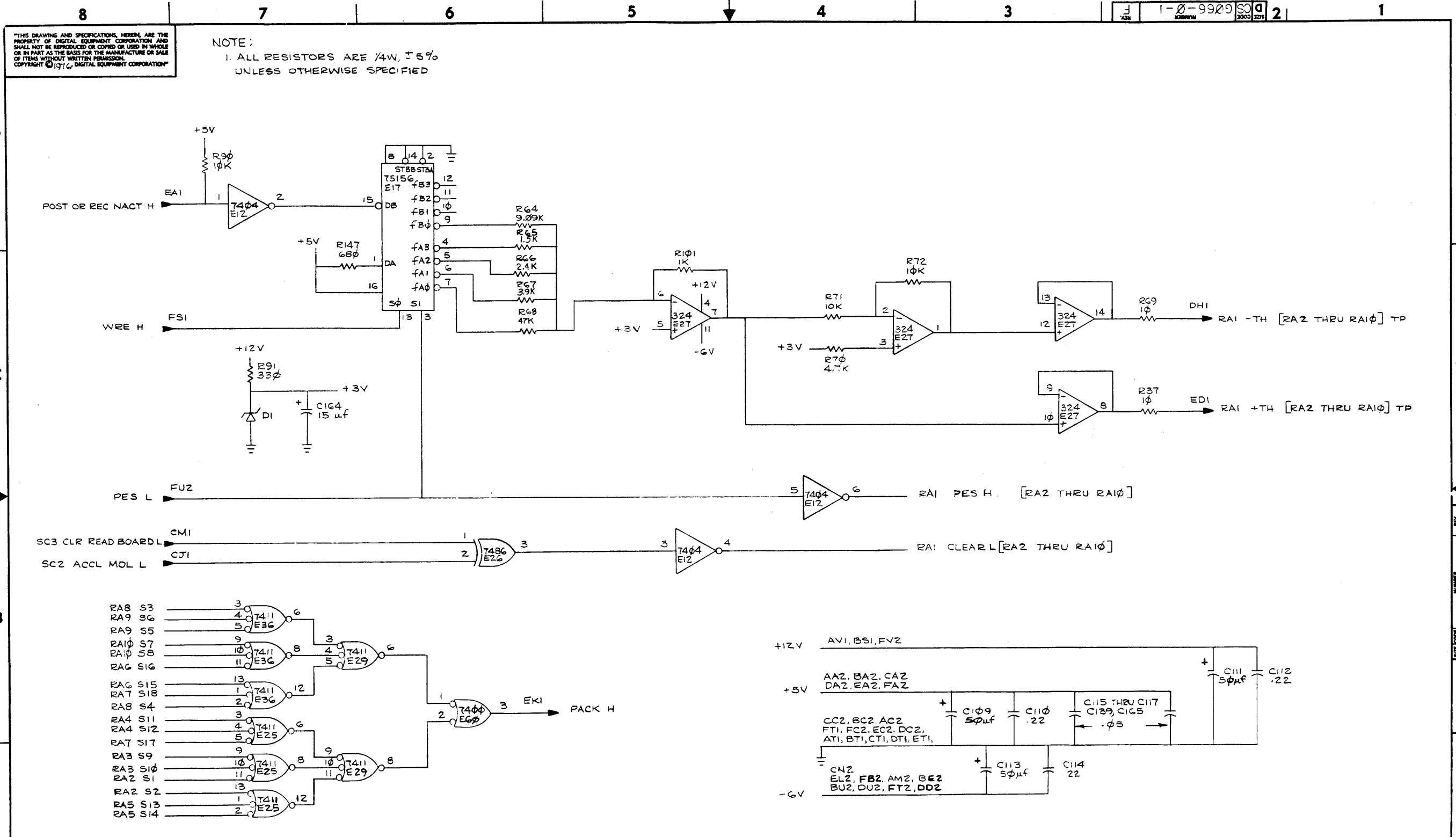


* SIGNAL ORIGINATES ON BACK PANEL
 ** SIGNALS CONNECTED BY BACK PANEL ONLY

| REVISIONS | | |
|-----------|------------|------|
| CHK | CHANGE NO. | REV. |
| | | |
| | | |

THIS DRAWING AND SPECIFICATIONS, HEREIN, ARE THE PROPERTY OF DIGITAL EQUIPMENT CORPORATION AND SHALL NOT BE REPRODUCED OR COPIED OR USED IN WHOLE OR IN PART AS THE BASIS FOR THE MANUFACTURE OR SALE OF ITEMS WITHOUT WRITTEN PERMISSION. COPYRIGHT © 1976 DIGITAL EQUIPMENT CORPORATION

NOTE:
1. ALL RESISTORS ARE 1/4W, ±5%
UNLESS OTHERWISE SPECIFIED



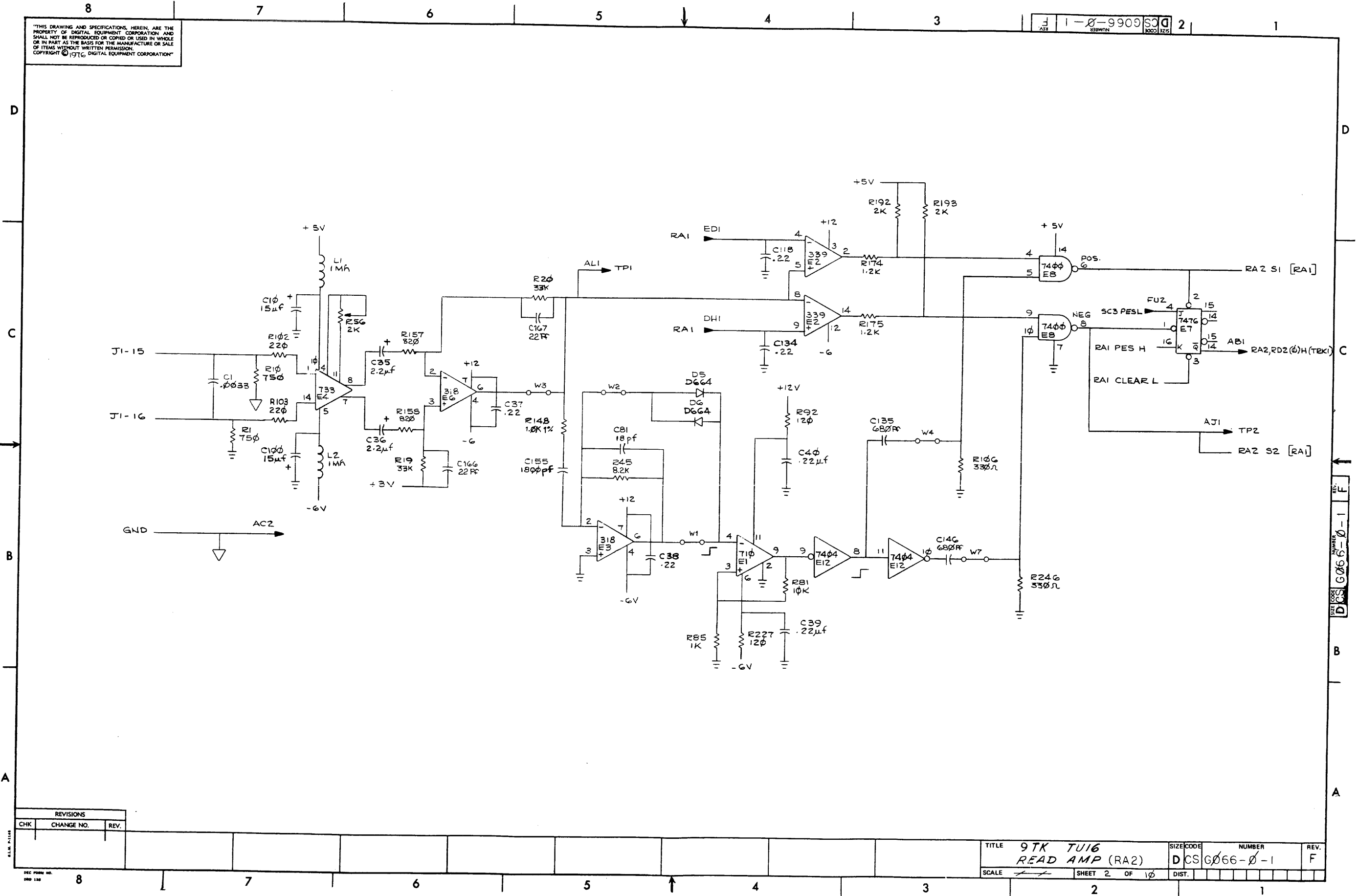
| REV. | DATE | BY | CHK | DESCRIPTION |
|------|----------|----------|----------|-----------------|
| 1 | 11/11/76 | W. SMITH | W. SMITH | INITIAL RELEASE |
| 2 | 11/11/76 | W. SMITH | W. SMITH | REVISION |
| 3 | 11/11/76 | W. SMITH | W. SMITH | REVISION |
| 4 | 11/11/76 | W. SMITH | W. SMITH | REVISION |
| 5 | 11/11/76 | W. SMITH | W. SMITH | REVISION |
| 6 | 11/11/76 | W. SMITH | W. SMITH | REVISION |
| 7 | 11/11/76 | W. SMITH | W. SMITH | REVISION |
| 8 | 11/11/76 | W. SMITH | W. SMITH | REVISION |

| | | |
|---|---------------|---------------------|
| DRN. 1-0-9929 | FIRST USED ON | 11/11/76 |
| CHK'D. 11/11/76 | ENG. 11/11/76 | PROJ. ENG. 11/11/76 |
| TITLE 9TK TU16 READ AMP (RAI) | | |
| NEXT HIGHER ASSY. | | |
| D-JA-6066-0-0 | SIZE CODE | NUMBER |
| SCALE | D CS | 6066-0-1 |
| SHEET 1 | OF 10 | DIST. |

REV. F
NUMBER 0066-0-1
DATE DCS

"THIS DRAWING AND SPECIFICATIONS, HEREIN, ARE THE PROPERTY OF DIGITAL EQUIPMENT CORPORATION AND SHALL NOT BE REPRODUCED OR COPIED OR USED IN WHOLE OR IN PART AS THE BASIS FOR THE MANUFACTURE OR SALE OF ITEMS WITHOUT WRITTEN PERMISSION. COPYRIGHT © 1976, DIGITAL EQUIPMENT CORPORATION"

DCS G066-0-1-1

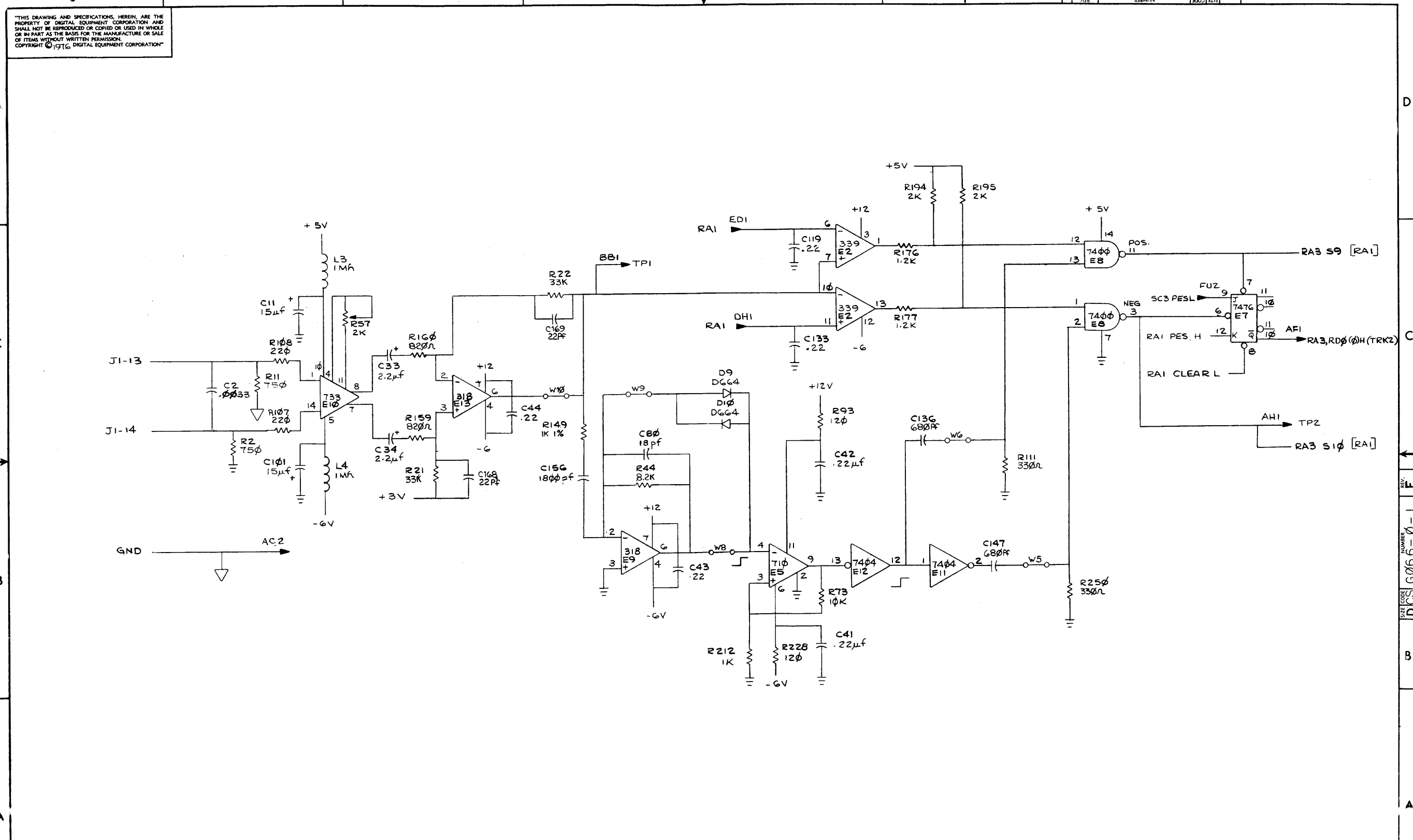


| REVISIONS | | |
|-----------|------------|------|
| CHK | CHANGE NO. | REV. |
| | | |

| | | | | | | | |
|-------|----------------------------|-----------|---------------|--------|----|-------|---|
| TITLE | 9TK TU16 READ AMP (RA2) | SIZE CODE | D CS G066-0-1 | NUMBER | 1 | REV. | F |
| SCALE | | SHEET | 2 | OF | 10 | DIST. | |

DC S G066-0-1-1
 REV. F

"THIS DRAWING AND SPECIFICATIONS, HEREIN, ARE THE PROPERTY OF DIGITAL EQUIPMENT CORPORATION AND SHALL NOT BE REPRODUCED OR COPIED OR USED IN WHOLE OR IN PART AS THE BASIS FOR THE MANUFACTURE OR SALE OF ITEMS WITHOUT WRITTEN PERMISSION. COPYRIGHT © 1976 DIGITAL EQUIPMENT CORPORATION"

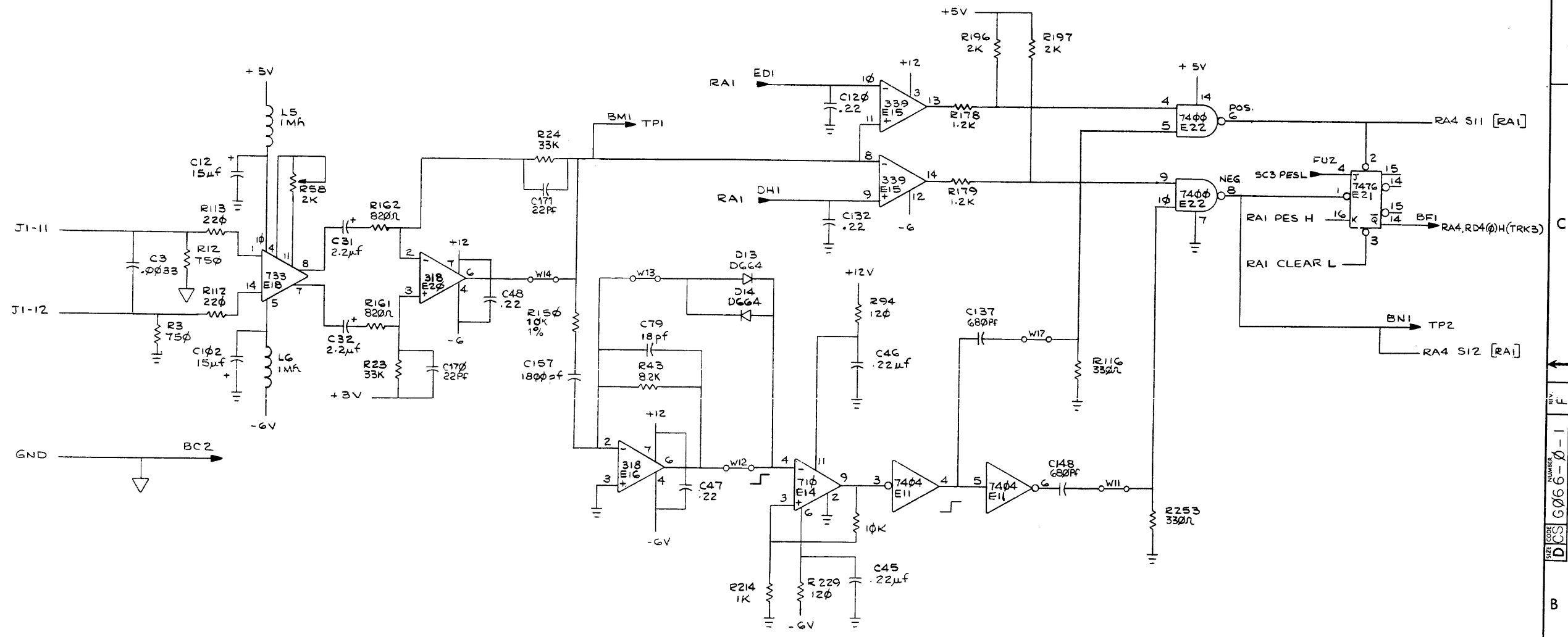


| REVISIONS | | |
|-----------|------------|------|
| CHK | CHANGE NO. | REV. |
| | | |
| | | |

DCS G066-0-1

THIS DRAWING AND SPECIFICATIONS, HEREIN, ARE THE PROPERTY OF DIGITAL EQUIPMENT CORPORATION AND SHALL NOT BE REPRODUCED OR COPIED OR USED IN WHOLE OR IN PART AS THE BASIS FOR THE MANUFACTURE OR SALE OF ITEMS WITHOUT WRITTEN PERMISSION. COPYRIGHT © 1976, DIGITAL EQUIPMENT CORPORATION

REV. 1 - 0-9909 SCD 2



REV. NUMBER G066-0-1 F

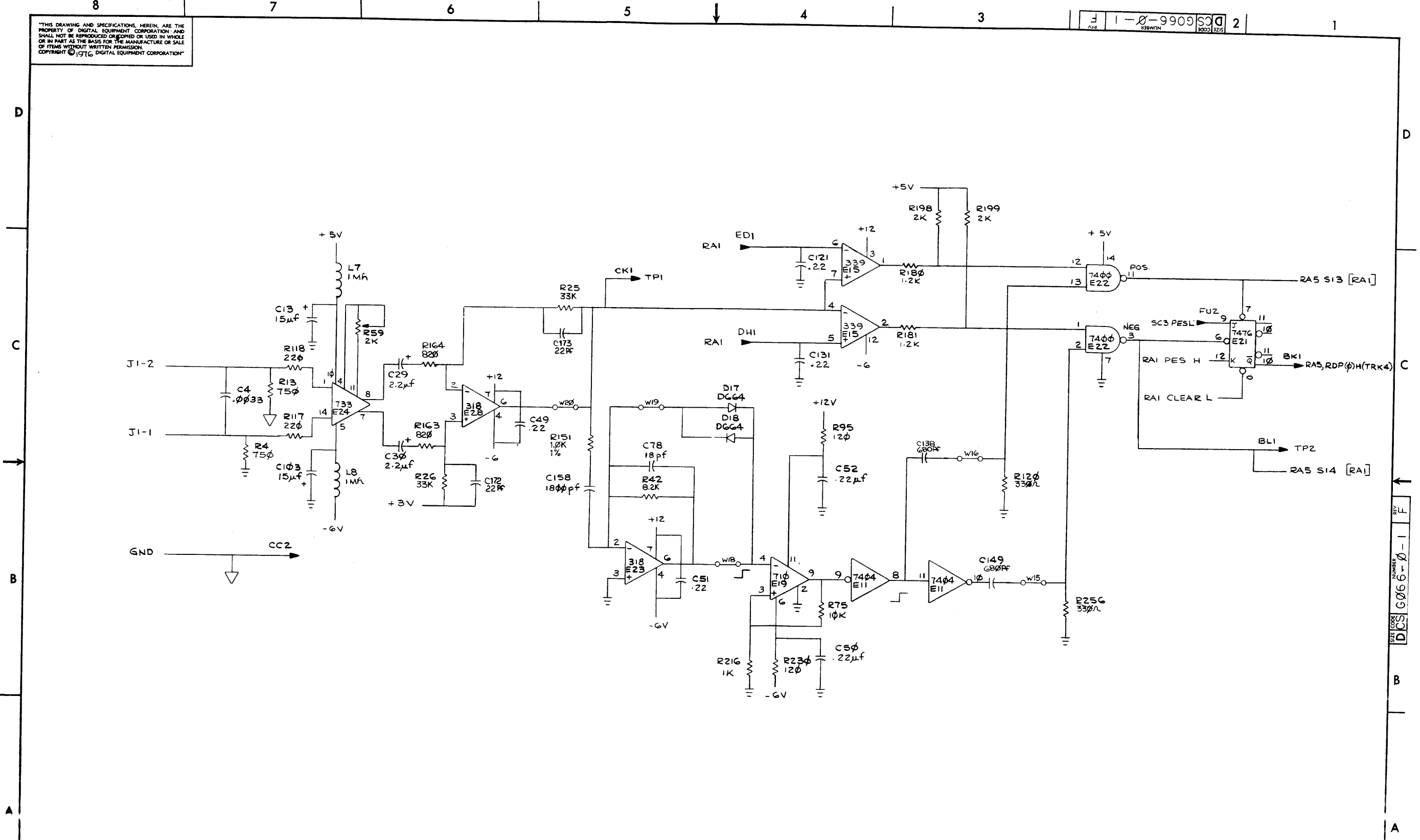
| REVISIONS | | |
|-----------|------------|------|
| CHK | CHANGE NO. | REV. |
| | | |
| | | |
| | | |
| | | |
| | | |
| | | |
| | | |
| | | |
| | | |

TITLE 9TK TU16
READ AMP (RA4)
SCALE 1/16" = 1"

| | | |
|---------------|-----------------|--------|
| SIZE CODE DCS | NUMBER G066-0-1 | REV. F |
| SHEET 4 OF 10 | DIST. | |

"THIS DRAWING AND SPECIFICATIONS, HEREIN, ARE THE PROPERTY OF DIGITAL EQUIPMENT CORPORATION AND SHALL NOT BE REPRODUCED OR USED IN WHOLE OR IN PART AS THE BASIS FOR THE MANUFACTURE OR SALE OF ITEMS WITHOUT WRITTEN PERMISSION. COPYRIGHT © 1976, DIGITAL EQUIPMENT CORPORATION"

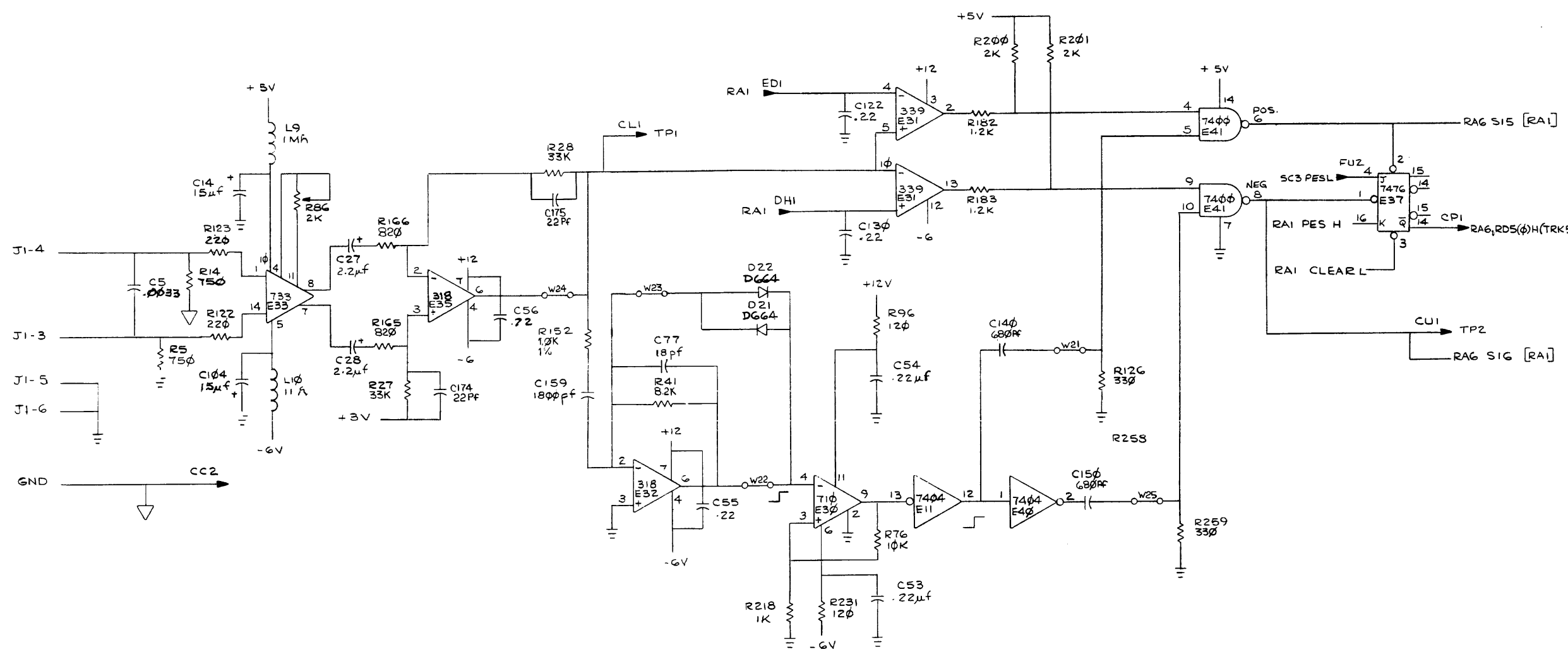
1-0-9909 DCS 2



| REVISIONS | | |
|-----------|------------|------|
| CHK | CHANGE NO. | REV. |
| | | |

TITLE 97K TU16 READ AMP (RA5) SIZE CODE DCS G066-0-1 NUMBER REV. F
 SCALE SHEET 5 OF 10 DIST.

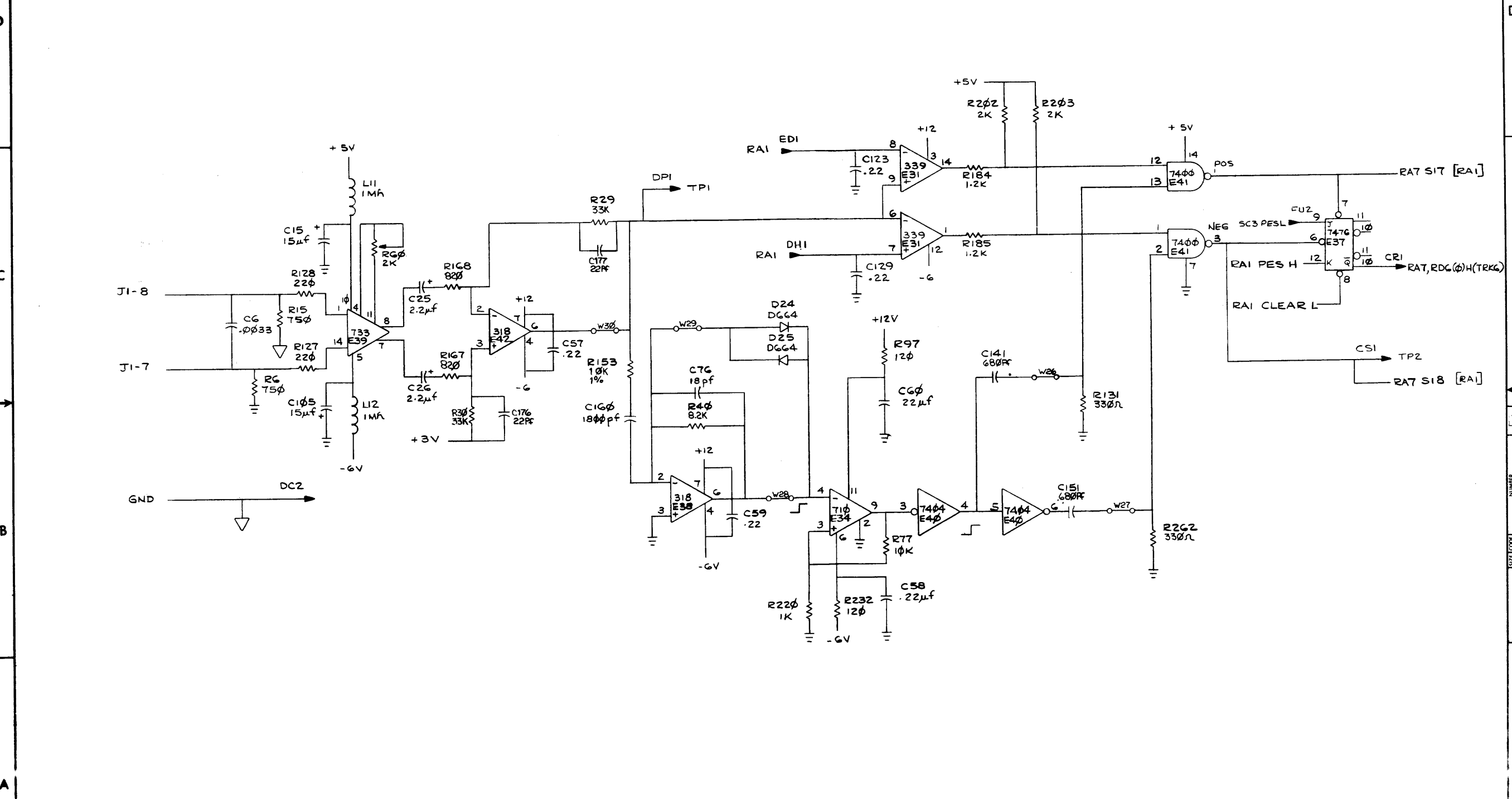
"THIS DRAWING AND SPECIFICATIONS, HEREIN, ARE THE PROPERTY OF DIGITAL EQUIPMENT CORPORATION AND SHALL NOT BE REPRODUCED OR COPIED OR USED IN WHOLE OR IN PART AS THE BASIS FOR THE MANUFACTURE OR SALE OF ITEMS WITHOUT WRITTEN PERMISSION. COPYRIGHT © 1976 DIGITAL EQUIPMENT CORPORATION"



| REVISIONS | | |
|-----------|------------|------|
| CHK | CHANGE NO. | REV. |
| | | |

| | | | | | | | |
|-------|----------------------------|-----------|------|--------|----------|-------|---|
| TITLE | 9TK TUIG READ AMP (RA6) | SIZE CODE | D CS | NUMBER | G066-0-1 | REV. | F |
| SCALE | | SHEET | 6 | OF | 10 | DIST. | |

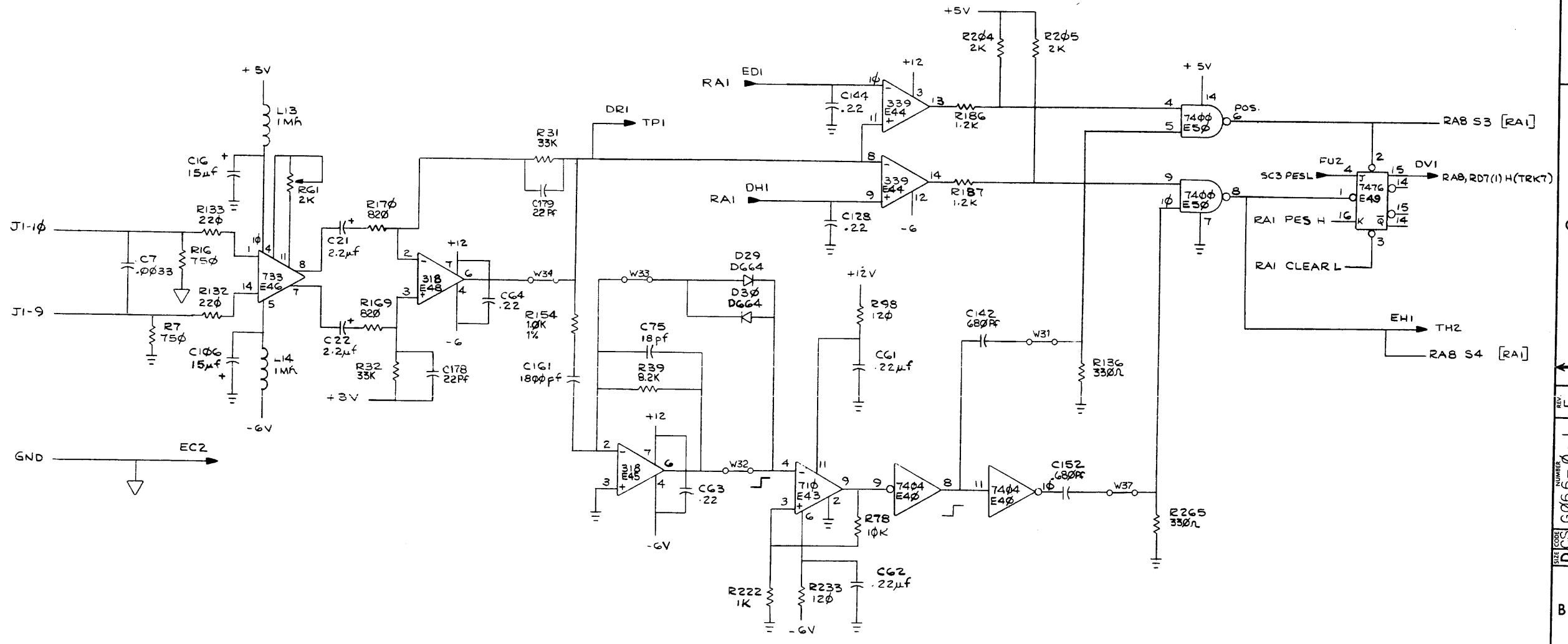
THIS DRAWING AND SPECIFICATIONS HEREIN ARE THE PROPERTY OF DIGITAL EQUIPMENT CORPORATION AND SHALL NOT BE REPRODUCED OR COPIED OR USED IN WHOLE OR IN PART AS THE BASIS FOR THE MANUFACTURE OR SALE OF ITEMS WITHOUT WRITTEN PERMISSION. COPYRIGHT © 1976 DIGITAL EQUIPMENT CORPORATION



| REVISIONS | | |
|-----------|------------|------|
| CHK | CHANGE NO. | REV. |
| | | |

"THIS DRAWING AND SPECIFICATIONS, HEREIN, ARE THE PROPERTY OF DIGITAL EQUIPMENT CORPORATION AND SHALL NOT BE REPRODUCED OR COPIED OR USED IN WHOLE OR IN PART AS THE BASIS FOR THE MANUFACTURE OR SALE OF ITEMS WITHOUT WRITTEN PERMISSION. COPYRIGHT © 1976 DIGITAL EQUIPMENT CORPORATION"

DCS G066-0-1 SC 2

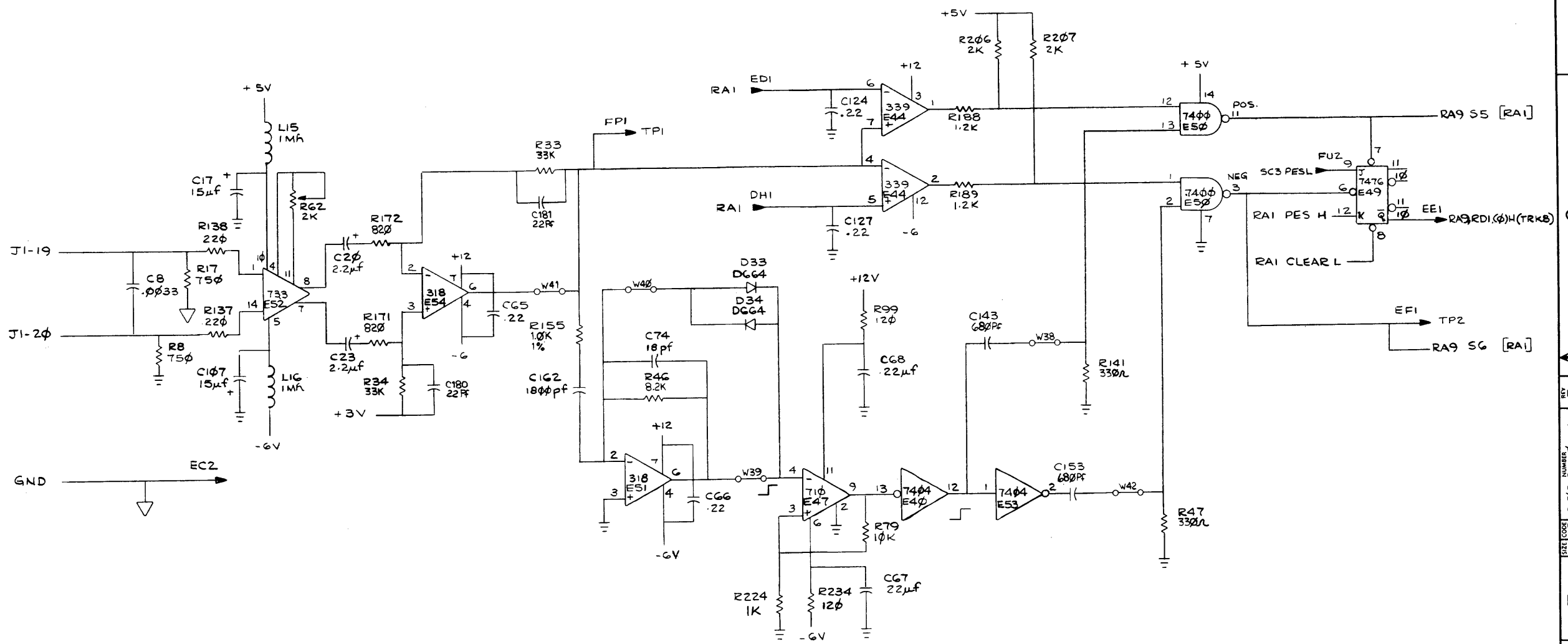


| REVISIONS | | |
|-----------|------------|------|
| CHK | CHANGE NO. | REV. |
| | | |

TITLE **9TK TU16 READ AMP (RAB)** SIZE CODE **DCS G066-0-1** NUMBER **SC 2** REV. **F**
 SCALE **1/1** SHEET **8** OF **10** DIST.

REV. F
NUMBER 1-1
DCS G066-0-1

"THIS DRAWING AND SPECIFICATIONS HEREIN ARE THE PROPERTY OF DIGITAL EQUIPMENT CORPORATION AND SHALL NOT BE REPRODUCED OR COPIED OR USED IN WHOLE OR IN PART AS THE BASIS FOR THE MANUFACTURE OR SALE OF ITEMS WITHOUT WRITTEN PERMISSION. COPYRIGHT © 1976 DIGITAL EQUIPMENT CORPORATION"



| REVISIONS | | |
|-----------|------------|------|
| CHK | CHANGE NO. | REV. |
| | | |
| | | |
| | | |
| | | |
| | | |
| | | |
| | | |
| | | |
| | | |
| | | |
| | | |

| | | | | | | | | | | |
|-------|--|----------------------------|-----------|-------|------|--------|--|----------|------|---|
| TITLE | | 9TK TU16 READ AMP (RA9) | SIZE CODE | | D CS | NUMBER | | G066-0-1 | REV. | F |
| SCALE | | SHEET 9 OF 10 | | DIST. | | | | | | |

8 7 6 5 4 3 2 1

D

C

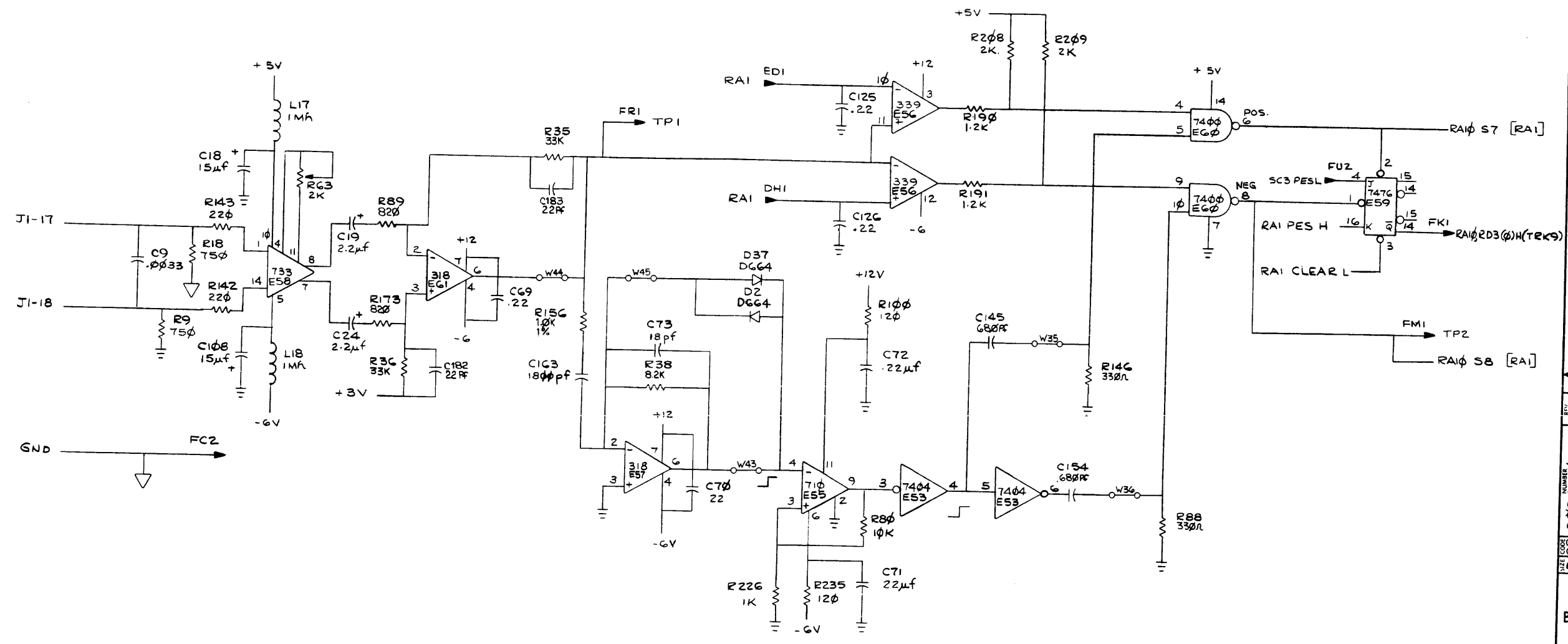
B

A

REV. NUMBER G066-0-1

"THIS DRAWING AND SPECIFICATIONS, HEREIN, ARE THE PROPERTY OF DIGITAL EQUIPMENT CORPORATION AND SHALL NOT BE REPRODUCED OR COPIED OR USED IN WHOLE OR IN PART AS THE BASIS FOR THE MANUFACTURE OR SALE OF ITEMS WITHOUT WRITTEN PERMISSION. COPYRIGHT © 1976, DIGITAL EQUIPMENT CORPORATION"

D E S I G N N U M B E R 0 6 6 - 0 - 1 2



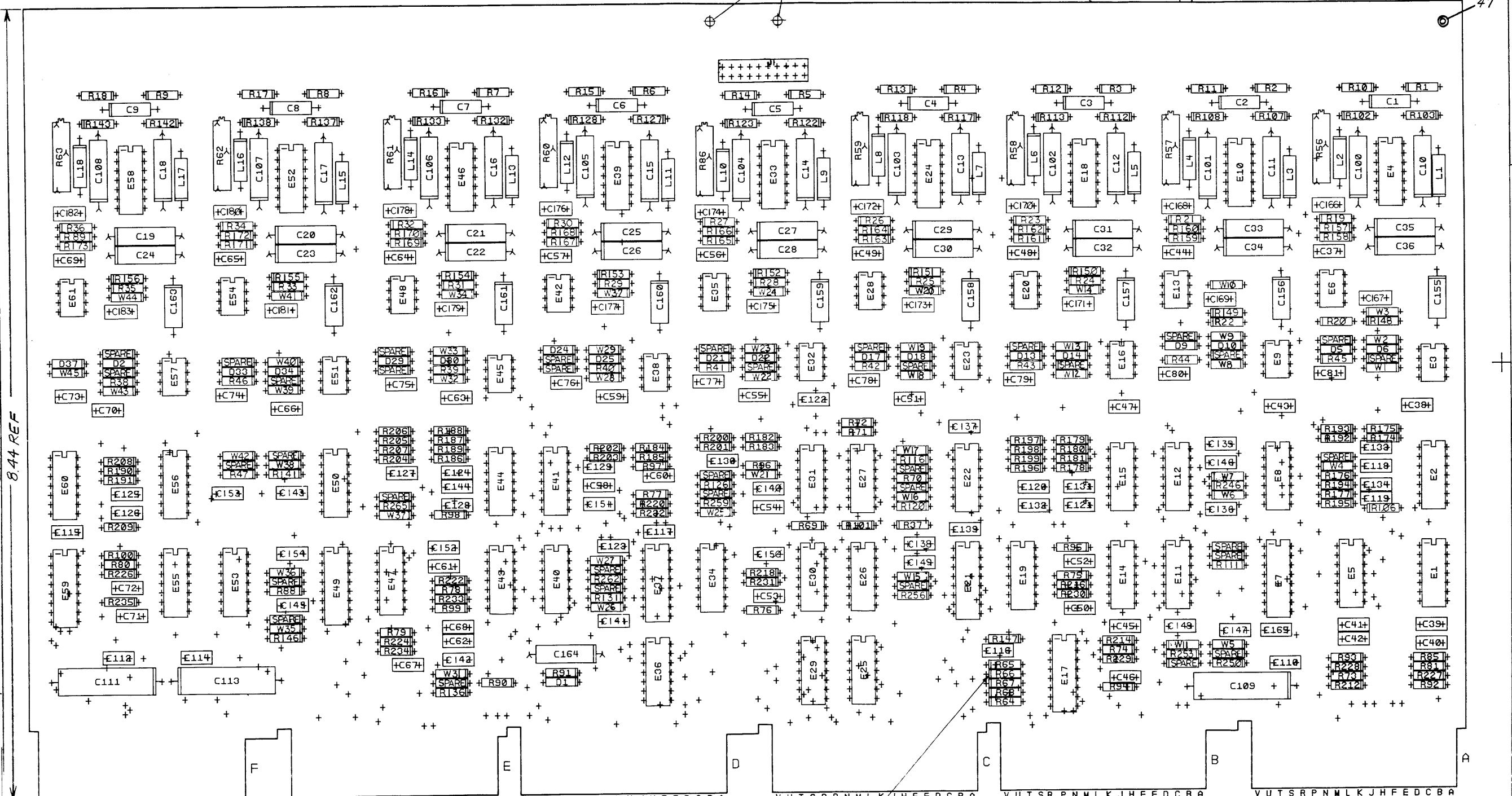
| REVISIONS | | |
|-----------|------------|------|
| CHK | CHANGE NO. | REV. |
| | | |

TITLE 9TK TU16 READ AMP (RA10) SIZE CODE DCS NUMBER G066-0-1 REV. F
 SCALE 1 OF 1 SHEET 1 OF 1 DIST.

REV. F
 NUMBER G066-0-1
 DCS

THIS DRAWING AND SPECIFICATIONS, HEREIN, ARE THE PROPERTY OF DIGITAL EQUIPMENT CORPORATION AND SHALL NOT BE REPRODUCED OR COPIED OR USED IN WHOLE OR IN PART AS THE BASIS FOR THE MANUFACTURE OR SALE OF ITEMS WITHOUT WRITTEN PERMISSION.
 COPYRIGHT © 1976 DIGITAL EQUIPMENT CORPORATION

SEE NOTE 1



NOTES:
 1. DO NOT INSTALL 2 EYELED IN HANDLE HOLES INDICATED.
 REWORK INSTRUCTIONS ECO#:
 COMPONENT DELETE SIDE 1
 1-2. R66 (P/N 1300439)
 COMPONENT ADDS SIDE 1:
 1-3. R66 (P/N 1303177) (CONT. ON SHEET 40F4)

| CHK | CHANGE | N | REV | BY | DATE | REASON |
|-----|--------|---|-----|---------|----------|---------|
| 1 | 1 | 1 | 1 | H. LRAE | 11/23/76 | INITIAL |
| 2 | 1 | 1 | 1 | H. LRAE | 11/23/76 | INITIAL |
| 3 | 1 | 1 | 1 | H. LRAE | 11/23/76 | INITIAL |
| 4 | 1 | 1 | 1 | H. LRAE | 11/23/76 | INITIAL |
| 5 | 1 | 1 | 1 | H. LRAE | 11/23/76 | INITIAL |
| 6 | 1 | 1 | 1 | H. LRAE | 11/23/76 | INITIAL |
| 7 | 1 | 1 | 1 | H. LRAE | 11/23/76 | INITIAL |
| 8 | 1 | 1 | 1 | H. LRAE | 11/23/76 | INITIAL |

| CHK | CHANGE | N | REV | BY | DATE | REASON |
|-----|--------|---|-----|---------|----------|---------|
| 1 | 1 | 1 | 1 | H. LRAE | 11/23/76 | INITIAL |
| 2 | 1 | 1 | 1 | H. LRAE | 11/23/76 | INITIAL |
| 3 | 1 | 1 | 1 | H. LRAE | 11/23/76 | INITIAL |
| 4 | 1 | 1 | 1 | H. LRAE | 11/23/76 | INITIAL |
| 5 | 1 | 1 | 1 | H. LRAE | 11/23/76 | INITIAL |
| 6 | 1 | 1 | 1 | H. LRAE | 11/23/76 | INITIAL |
| 7 | 1 | 1 | 1 | H. LRAE | 11/23/76 | INITIAL |
| 8 | 1 | 1 | 1 | H. LRAE | 11/23/76 | INITIAL |

| | | |
|-----|-----|---------------|
| 1-2 | R66 | (P/N 1300439) |
| 1-3 | R66 | (P/N 1303177) |

| SIGNATURES | | DATE | digital |
|-------------------|-------------------|----------|---------|
| DRN. | S. H. [Signature] | 11/23/76 | |
| CHK'D. | [Signature] | 11/23/76 | |
| ENG. | [Signature] | 11/23/76 | |
| PROJ. ENG. | [Signature] | 11/23/76 | |
| PROD. | [Signature] | 11/23/76 | |
| SCALE | 2/1 | | |
| SHT. | 1 OF 4 | | |
| NEXT HIGHER ASSY. | B-DO-6066-0 | | |

TITLE 9TK TU16 READ AMP
 SIZE CODE UA
 NUMBER 6066-0-0
 REV F
 1 MS# 81045

**DIGITAL EQUIPMENT CORPORATION
PARTS LIST**

QUANTITY / VARIATION

NOTES:

*USED ON OPTION/MODEL
TU16J*

| | | |
|---------------------------------|--------------------------------------|-----------------------|
| MADE BY DAVID BEAUREGARD | CHECKED <i>J. P. Brennan</i> | SECTION |
| DATE 15 Oct 76 | DATE 18 Oct '76 | 1 |
| ENG <i>H. Finley</i> | PROD <i>Robert P. Willard</i> | ISSUED SECTION |
| DATE 11. 23. 76 | DATE 23 Nov '76 | 1 |

| ITEM NO. | DRAWING NO. | PART NO. | DESCRIPTION | | | | | | | | | | | | | | | | | | | REF DESIGNATION |
|----------|------------------|-------------|-----------------------------|-----|--|--|--|--|--|--|--|--|--|--|--|--|--|--|--|--|--|---|
| | D-CS-G066-0-1 | | CIRCUIT SCHEMATIC | REF | | | | | | | | | | | | | | | | | | |
| | B-DD-G066-0 | | DWG DIRECTORY | REF | | | | | | | | | | | | | | | | | | |
| | D-UA-G066-0-0 | | UNIT ASSEMBLY | REF | | | | | | | | | | | | | | | | | | |
| | D-MD-5012235-0-0 | 5012235 | ETCHED CIRCUIT BOARD | 1 | | | | | | | | | | | | | | | | | | |
| 1 | | 19-13293-00 | IC 74156 | 1 | | | | | | | | | | | | | | | | | | E17 |
| 2 | | 19-10537-00 | IC 74511 | 3 | | | | | | | | | | | | | | | | | | E25, E29, E36 |
| 3 | | 19-12107-00 | IC LM324 | 1 | | | | | | | | | | | | | | | | | | E27 |
| 4 | | 19-10644-00 | IC 733 | 9 | | | | | | | | | | | | | | | | | | E4, E10, E18, E24, E33, E39, E46, E52, E58 |
| 5 | | 19-10735-02 | IC 318 | 18 | | | | | | | | | | | | | | | | | | F3, E6, E9, E13, E16, E20, E28, E23, E32, E38, E35, E42, E45, E48, E51, E54, E57, E61 |
| 6 | | 19-05620-01 | IC 710 | 9 | | | | | | | | | | | | | | | | | | E1, E5, E14, E19, E30, E34, E43, E47, E55 |
| 7 | | 19-12108-00 | IC LM339 | 5 | | | | | | | | | | | | | | | | | | E2, E15, E31, E44, E56 |
| 8 | | 19-05575-00 | IC DEC7400 | 5 | | | | | | | | | | | | | | | | | | E8, E22, E41, E50, E60 |
| 9 | | 19-05585-00 | IC 7476 | 5 | | | | | | | | | | | | | | | | | | E7, E21, E37, E49, E59 |
| 10 | | 19-09686-00 | IC 7404 | 4 | | | | | | | | | | | | | | | | | | E12, E11, E40, E53 |
| 11 | | 19-10011-00 | IC DEC7486 | 1 | | | | | | | | | | | | | | | | | | E26 |
| 12 | | 11-13295-00 | DIODE 3.0V ZENER (1.4 372A) | 1 | | | | | | | | | | | | | | | | | | D1 |
| 13 | | 11-00114-00 | DIODE D664 | 18 | | | | | | | | | | | | | | | | | | D2, D5, D6, D9, D10, D13, D14, D17, D18, D21, D22, D24, D25, D29, D30, D33, D34, D37 |
| 14 | | 16-02723-00 | CHOKE 1 MH | 18 | | | | | | | | | | | | | | | | | | L1 thru L18 |

ECO. NO.
0001
0002
0003
ML004

| | | | | | | | | | | | | | |
|--|--|--------------|-----------------------|---------------------|---------------|---|---|-------------|----|---------------|----------|-------------|---|
| THIS DRAWING AND SPECIFICATIONS HEREIN ARE THE PROPERTY OF DIGITAL EQUIPMENT CORPORATION AND SHALL NOT BE REPRODUCED OR COPIED OR USED IN WHOLE OR IN PART AS THE BASIS FOR THE MANUFACTURE OR SALE OF ITEMS WITHOUT WRITTEN PERMISSION. COPYRIGHT © 1976 DIGITAL EQUIPMENT CORPORATION. | | TITLE | 9 TK TU16 READ AMP | ASSY NO. | D-UA-G066-0-0 | SIZE | B | CODE | PL | NUMBER | G066-0-0 | REV. | F |
| EN-01140A-16-R276(325) DRB 125 | | | | SHEET 1 OF 4 | | INSERTION PARTS LIST DATA BASE REV B | | | | | | | |

DIGITAL EQUIPMENT CORPORATION PARTS LIST

QUANTITY / VARIATION

NOTES:

*USED ON OPTION/MODEL
TU16J*

| | | |
|------------------------------|-------------------------------|-------------------------|
| MADE BY <i>D. BEAUREGARD</i> | CHECKED <i>D. Brennan</i> | SECTION <i>1</i> |
| DATE <i>15 Oct 76</i> | DATE <i>18 Oct 76</i> | |
| ENG <i>H. Finckel</i> | PROD <i>Gordon R. Willard</i> | ISSUED SECTION <i>1</i> |
| DATE <i>11.23.76</i> | DATE <i>23 NOV '76</i> | |

| ITEM NO. | DRAWING NO. | PART NO. | DESCRIPTION | 19 | 20 | 21 | 22 | 23 | 24 | 25 | 26 | 27 | 28 | 29 | 30 | 31 | REF DESIGNATION |
|---------------|-------------|------------------------|----------------------------|---------------|----|----|----|----|----|----|----|----|----|----|----|----|--|
| 15 | | 10-04812-00 | CAP 15 M 20V, 10% TANT | 19 | | | | | | | | | | | | | C164, C10 thru C18, C100 thru 108 |
| 16 | | 10-02431-00 | CAP 2.2 UF 35V, 10% TANT | 18 | | | | | | | | | | | | | C19 thru C36 |
| 17 | | 10-05820-00 | CAP. 22PF 100V 5% | 18 | | | | | | | | | | | | | C166-C183 (IN PARALLEL WITH R19 thru R29, R30, R31 thru R36) |
| 18 | | 10-10274-00 | CAP .22 UF 50V CER | 57 | | | | | | | | | | | | | C37 thru C72, C118 thru C134, C144, C110, C112, C114 |
| 19 | | 10-00026-00 | CAP 680PF 100V 5% | 18 | | | | | | | | | | | | | C135 thru C138, C140 thru C143, C145 thru C154 |
| 20 | | 10-02608-00 | CAP 18 PF 100V 5% DM | 9 | | | | | | | | | | | | | C73 thru C81 |
| 21 | | 10-05116-00 | CAP 3300 PF 200V 10% | 9 | | | | | | | | | | | | | C1 thru C9 |
| 22 | | 10-13292-00 | CAP 1800 PF 100V 10% MYLAR | 9 | | | | | | | | | | | | | C155 thru C163 |
| 23 | | 10-01796-00 | CAP 50 UF 25V AL EL | 3 | | | | | | | | | | | | | C111, C109, C113 |
| 24 | | 10-01774-00 | CAP .05 UF 25V DISC | 5 | | | | | | | | | | | | | C115 thru C117, C139, C165 |
| 25 | | 13-01477-00 | RES 82 1/4W 5% | 18 | | | | | | | | | | | | | R49 thru R55, R82 thru R84, R245, R248, R251, R254, R257, R260, R263, R266 |
| 26 | | 13-00247-00 | RES 120 1/4W 5% | 18 | | | | | | | | | | | | | R92 thru 100, R227 thru R235 |
| 27 | | 13-00271-00 | RES 220 1/4W 5% | 18 | | | | | | | | | | | | | R102, R107, R108, R112, R113, R117, R118, R122, R123, R127, R128, R132, R133, R137, R138, R142, R143 |
| 28 | | 13-01424-00 | RES 680 1/4W 5% | 1 | | | | | | | | | | | | | R147 |
| 29 | | 13-00365-00 | RES 1K 1/4W 5% | 10 | | | | | | | | | | | | | R85, R101, R212, R214, R216, R218, R220, R222, R224, R226 |
| 30 | | 13-01320-00 | RES 1.2K 1/4W 5% | 18 | | | | | | | | | | | | | R174 thru R191 |
| 31 | | 13-01401-00 | RES 750 1/4W 5% | 18 | | | | | | | | | | | | | R1 thru R18 |

| | |
|------------|--|
| E.C.O. NO. | |
|------------|--|

| | | | | | | |
|---|---------------------------------------|----------------------------------|--------------------------------------|-------------------|---------------------------|------------------|
| THIS DRAWING AND SPECIFICATIONS, HEREIN, ARE THE PROPERTY OF DIGITAL EQUIPMENT CORPORATION AND SHALL NOT BE REPRODUCED OR COPIED OR USED IN WHOLE OR IN PART AS THE BASIS FOR THE MANUFACTURE OR SALE OF ITEMS WITHOUT WRITTEN PERMISSION. COPYRIGHT © 1976 DIGITAL EQUIPMENT CORPORATION | TITLE 9 TR TU16 READ AMP | ASSY NO. D-4A-5066-0-0 | SIZE B | CODE PL | NUMBER G066-0-0 | REV. F |
| | | SHEET 2 OF 4 | INSERTION PARTS LIST DATA BASE REV 5 | | | |

| DIGITAL EQUIPMENT CORPORATION | | | | QUANTITY / VARIATION | | | | | | | | NOTES: | |
|-------------------------------|-------------|------------------------|-----------------------------|----------------------|--|--|--|--|--|--|--|-----------------------------|---|
| PARTS LIST | | | | | | | | | | | | USED ON OPTION / MODEL | |
| MADE BY DAVID BEAUREGARD | | CHECKED P. Bossman | | | | | | | | | | TU16 J | |
| DATE 15 Oct 76 | | DATE 18 Oct 76 | | | | | | | | | | | |
| ENG H. Funderman | | PROD Gordon H. Sklar | | | | | | | | | | | |
| DATE 11.22.76 | | DATE 23 NOV '76 | | | | | | | | | | REF DESIGNATION | |
| ITEM NO. | DRAWING NO. | PART NO. | DESCRIPTION | | | | | | | | | | |
| 32 | | 13-02388-00 | RES 2K 1/4W 5% | 18 | | | | | | | | | R192 thru R209 |
| 33 | | 13-03177-00 | RES 2.4K 1/4W 5% | 1 | | | | | | | | | R66 |
| 34 | | 13-00439-00 | RES 3.3K 1/4W 5% | 18 | | | | | | | | | R157 thru R173, R89 |
| 35 | | 13-13349-00 | RES 33K 1/4 10% | 18 | | | | | | | | | R19 thru R29, R30, R31 thru R36 |
| 36 | | 13-00447-00 | RES 4.7K 1/4W 5% | 1 | | | | | | | | | R70 |
| 37 | | 13-00479-00 | RES 10K 1/4W 5% | 12 | | | | | | | | | R71 thru R81, R90 |
| 38 | | 13-01775-00 | RES 820 5% | 18 | | | | | | | | | R89, R157 thru R173 |
| 39 | | 13-01317-00 | RES 10 1/4W 5% | 2 | | | | | | | | | R69, R37 |
| 40 | | 13-09143-08 | RES 2K POT | 9 | | | | | | | | | R56 thru R63, R86 |
| 41 | | 13-03179-00 | RES 2.2K 1/4W 5% | 9 | | | | | | | | | R38 thru R46 |
| 42 | | 12-13335-00 | CONNECTOR, 20 PIN | 1 | | | | | | | | | J1 |
| 43 | | 13-00295-00 | RES 330 1/4W 5% | 19 | | | | | | | | | R47, R88, R91, R106, R111, R116, R120, R126, R131, R136, R141, R146, R246, R250, R253, R256, R259, R262, R265 |
| 44 | | 13-00391-00 | RES 1.5K 1/4W 5% | 1 | | | | | | | | | R65 |
| 45 | | 13-00444-00 | RES 3.9K 1/4W 5% | 1 | | | | | | | | | R67 |
| 46 | | 13-02177-00 | RES 47K 1/4W 5% | 1 | | | | | | | | | R68 |
| 47 | | 90-06732-00 | EYELET | 10 | | | | | | | | | |
| 48 | | 12-10711-05 | HANDLE, HEX | 1 | | | | | | | | | |
| 49 | | 9009185 | JUMPER WIRE | 45 | | | | | | | | | W1 thru W45 |

| | | | | | | | |
|------------|---|--------------------------------|---------------------------|--------------|------------|--------------------------------------|-----------|
| E.C.O. NO. | THIS DRAWING AND SPECIFICATIONS, HEREIN, ARE THE PROPERTY OF DIGITAL EQUIPMENT CORPORATION AND SHALL NOT BE REPRODUCED OR COPIED OR USED IN WHOLE OR IN PART AS THE BASIS FOR THE MANUFACTURE OR SALE OF ITEMS WITHOUT WRITTEN PERMISSION. COPYRIGHT © 1976 DIGITAL EQUIPMENT CORPORATION | TITLE 9 TK TU16 READ AMP | ASSY NO. D-UA-G066-0-0 | SIZE B | CODE PL | NUMBER G066-0-0 | REV. F |
| | | | | SHEET 3 OF 4 | | INSERTION PARTS LIST DATA BASE REV 2 | |

| DIGITAL EQUIPMENT CORPORATION PARTS LIST | | | | QUANTITY / VARIATION | | | | | | | | | | NOTES: | | | | |
|---|-------------|--|------------------|----------------------|--|--|--|--|--|--|--|--|--|----------------------------|--|--|----------------|-----|
| MADE BY D. BEAUREGARD DATE 15 OCT 76 | | CHECKED P. BOSSMAN DATE 18 OCT 76 | | | | | | | | | | | | USED ON OPTION/MODEL TU16J | | | | |
| ENG H. FINDEISEN DATE 11-23-76 | | PROD GORDON R. DILLARD DATE 23 NOV 76 | | | | | | | | | | | | REF DESIGNATION | | | | |
| ITEM NO. | DRAWING NO. | PART NO. | DESCRIPTION | 9 | | | | | | | | | | | | | R148 thru R156 | R64 |
| 50 | | 13-02748-00 | RES 1.0K 1/8W 1% | 9 | | | | | | | | | | | | | | |
| 51 | | 13-05430-00 | RES 9.1K 1/4W | 1 | | | | | | | | | | | | | | |

E.C.O. NO.

"THIS DRAWING AND SPECIFICATIONS, HEREIN, ARE THE PROPERTY OF DIGITAL EQUIPMENT CORPORATION AND SHALL NOT BE REPRODUCED OR COPIED OR USED IN WHOLE OR IN PART AS THE BASIS FOR THE MANUFACTURE OR SALE OF ITEMS WITHOUT WRITTEN PERMISSION. COPYRIGHT © 1976 DIGITAL EQUIPMENT CORPORATION"

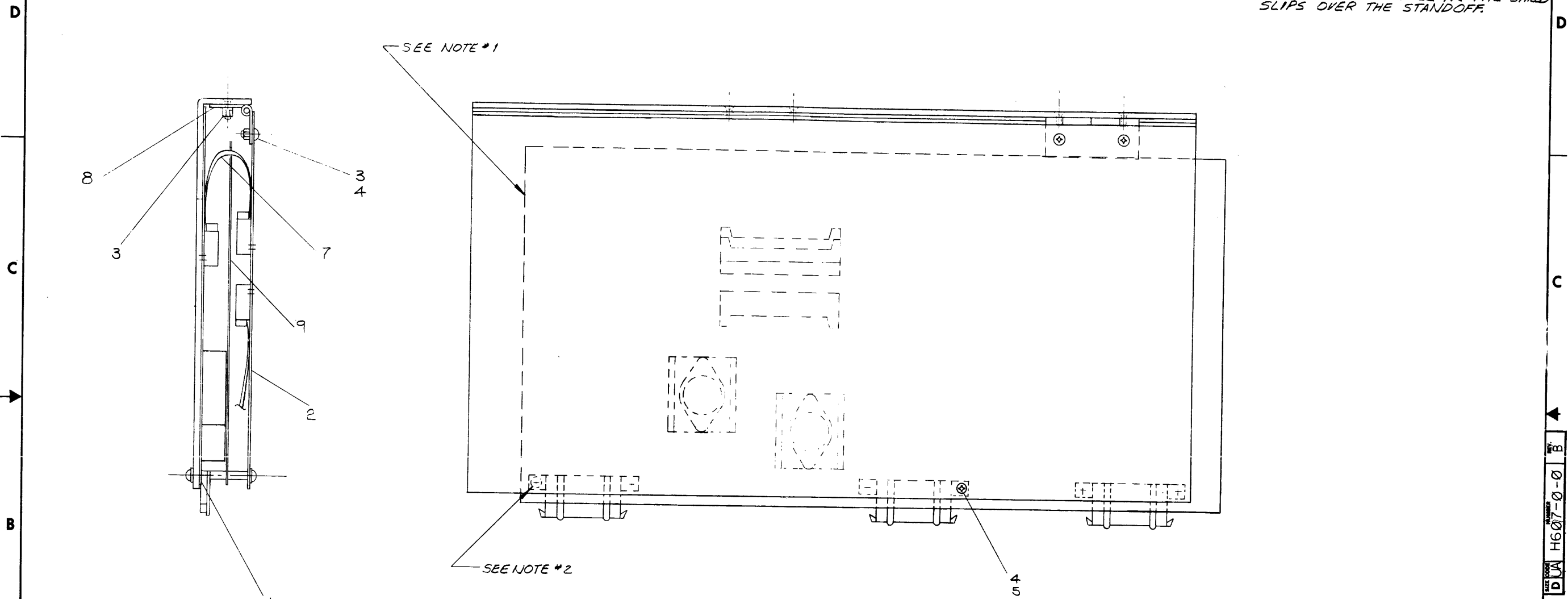
TITLE
9 TK TU16
READ AMP

ASSY NO.
D-UA-G066-0-0
SHEET 4 OF 4

| | | | |
|--------------------------------------|-----------|----------|----------|
| SIZE | CODE | NUMBER | REV. |
| B | PL | G066-0-0 | F |
| INSERTION PARTS LIST DATA BASE REV B | | | |

"THIS DRAWING AND SPECIFICATIONS HEREIN ARE THE PROPERTY OF DIGITAL EQUIPMENT CORPORATION AND SHALL NOT BE REPRODUCED OR COPIED OR USED IN WHOLE OR IN PART AS THE BASIS FOR THE MANUFACTURE OR SALE OF ITEMS WITHOUT WRITTEN PERMISSION. COPYRIGHT © 1970, DIGITAL EQUIPMENT CORPORATION"

NOTES:
 1. DOTTED LINES SHOW WHERE ELECTROMAG (STATIC) SHIELD SHOULD BE POSITIONED.
 2. NOTE THAT THE HOLE IN THE SHIELD SLIPS OVER THE STANDOFF.



| REV. | CHANGE NO. | DESCRIPTION |
|------|------------|--------------------------------|
| A | 1 | INITIAL DESIGN |
| B | 1 | REVISED TO SHOW HINGE |
| C | 1 | REVISED TO SHOW SHIELD |
| D | 1 | REVISED TO SHOW MOUNTING HOLES |

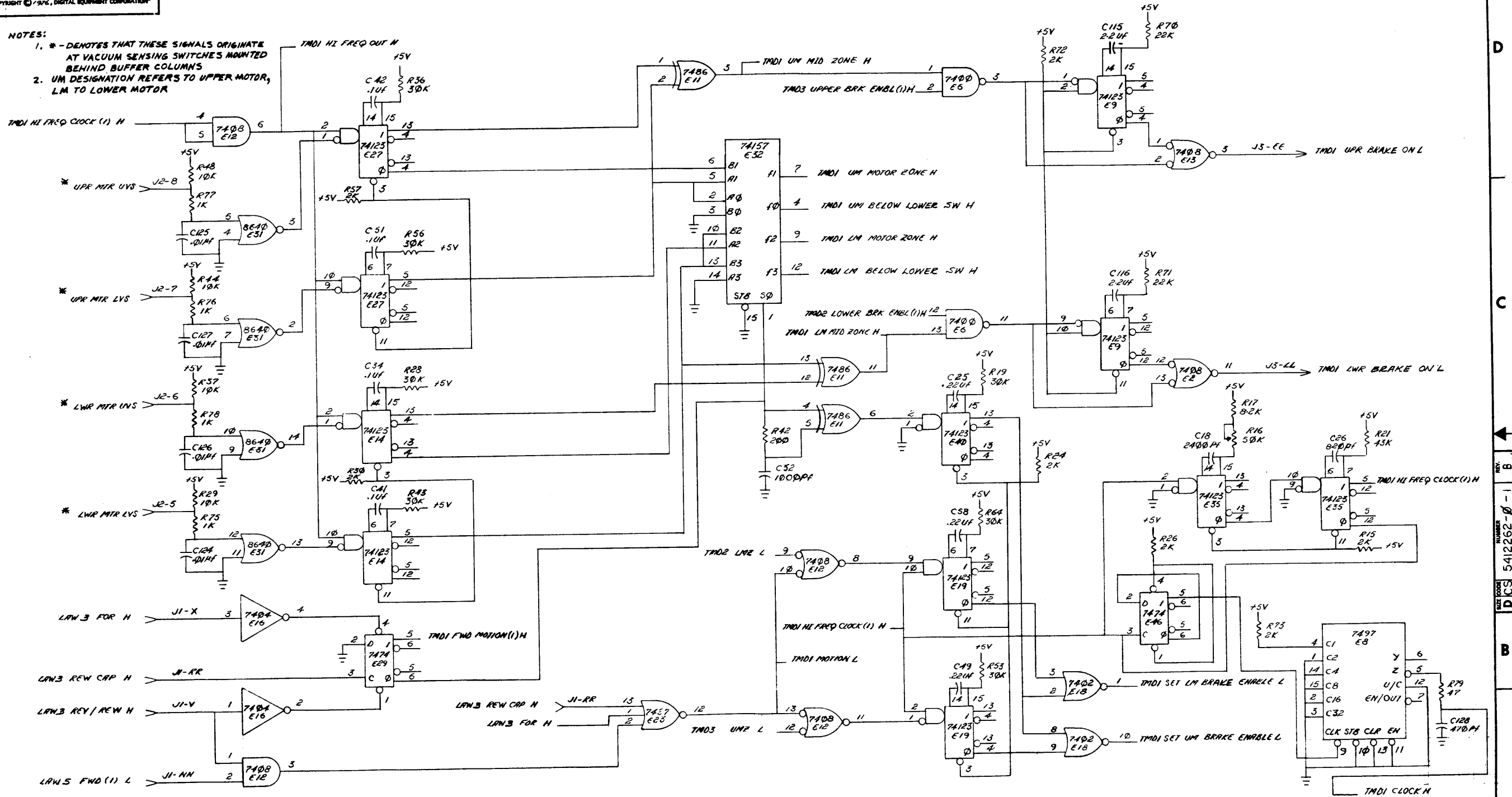
| ITEM NO. | DESCRIPTION | DWG./PART NO. | ITEM NO. |
|----------|----------------------------|------------------|----------|
| 1 | SHIELD, STATIC (REWORK) | B-MD-7419383 | 9 |
| 2 | HINGE | B-MD-7417135-0-0 | 8 |
| 3 | CABLE, JUMPER | C-IA-7013027-0-0 | 7 |
| 4 | BRACKET, SERVO BOARD | D-IA-7411530-0-0 | 6 |
| 5 | WASHER, INT TOOTH LOCK | 9006632-00 | 4 |
| 6 | SCREW, PAN-HD (4-40 X .25) | 9008301-01 | 4 |
| 7 | NUT, KEP 4-40 | 9008557-00 | 3 |
| 8 | TAPE MOTION DAUGH BD ASSY | 5412262 | 2 |
| 9 | TAPE MOTION PWR BD ASSY | 5412264 | 1 |

| | | | |
|--------------------------------------|--|-------------------------------|------------------------|
| THIRD ANGLE PROJECTION | | DRN. <i>[Signature]</i> | FIRST USED ON |
| REMOVE BURRS AND BREAK SHARP CORNERS | | CHK'D. <i>[Signature]</i> | TE16 |
| DO NOT SCALE DWG | | ENG. <i>[Signature]</i> | TITLE |
| MATERIAL SEE PARTS LIST | | PROJ. ENG. <i>[Signature]</i> | TAPE MOTION BOARD ASSY |
| FINISH | | PROD. <i>[Signature]</i> | SIZE CODE |
| SCALE 1:1 | | NEXT HIGHER ASSY. | D UA |
| SHEET 1 OF 1 | | | NUMBER |
| | | | H607-0-0 |
| | | | REV. B |

THIS DRAWING AND SPECIFICATIONS THEREIN ARE THE PROPERTY OF DIGITAL EQUIPMENT CORPORATION AND SHALL NOT BE REPRODUCED OR COPIED OR USED IN WHOLE OR IN PART AS THE BASIS FOR THE MANUFACTURE OR SALE OF ITEMS WITHOUT WRITTEN PERMISSION. COPYRIGHT © 1976, DIGITAL EQUIPMENT CORPORATION

NOTES:

- 1. * - DENOTES THAT THESE SIGNALS ORIGINATE AT VACUUM SENSING SWITCHES MOUNTED BEHIND BUFFER COLUMNS
- 2. UM DESIGNATION REFERS TO UPPER MOTOR, LM TO LOWER MOTOR

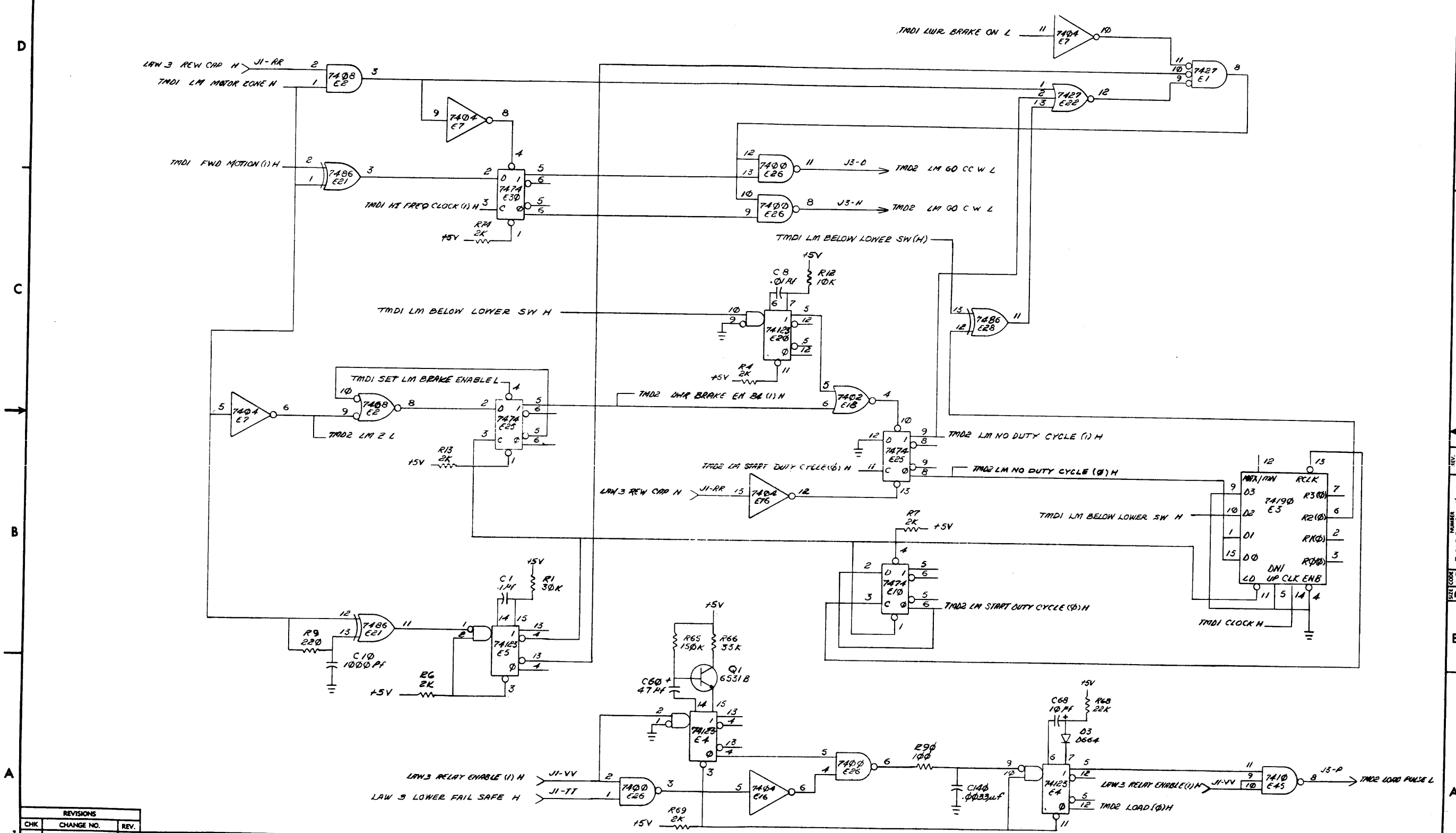


| | |
|----------|---|
| REV. | 1 |
| CHG. | 1 |
| REV. NO. | |
| CHG. NO. | |

| | | | |
|-------------------|--------|---------------|-----------------------------------|
| DRN. | 9-6-76 | FIRST USED ON | H 607 |
| CHKD. | 3/1/77 | | |
| ENR. | 3/1/77 | | |
| PROJ. ENG. | 3/1/77 | TITLE | TAPE MOTION (TMDI) DAUGHTER BOARD |
| PROD. & DESIGNED | 3/1/77 | | |
| NEXT HIGHER ASSY. | | SIZE | CODE |
| B-DD-5412262-00 | | D CS | 5412262-0-1 |
| SCALE | NONE | NUMBER | REV |
| | | | B |
| SHEET | 1 OF 4 | DIST. | |

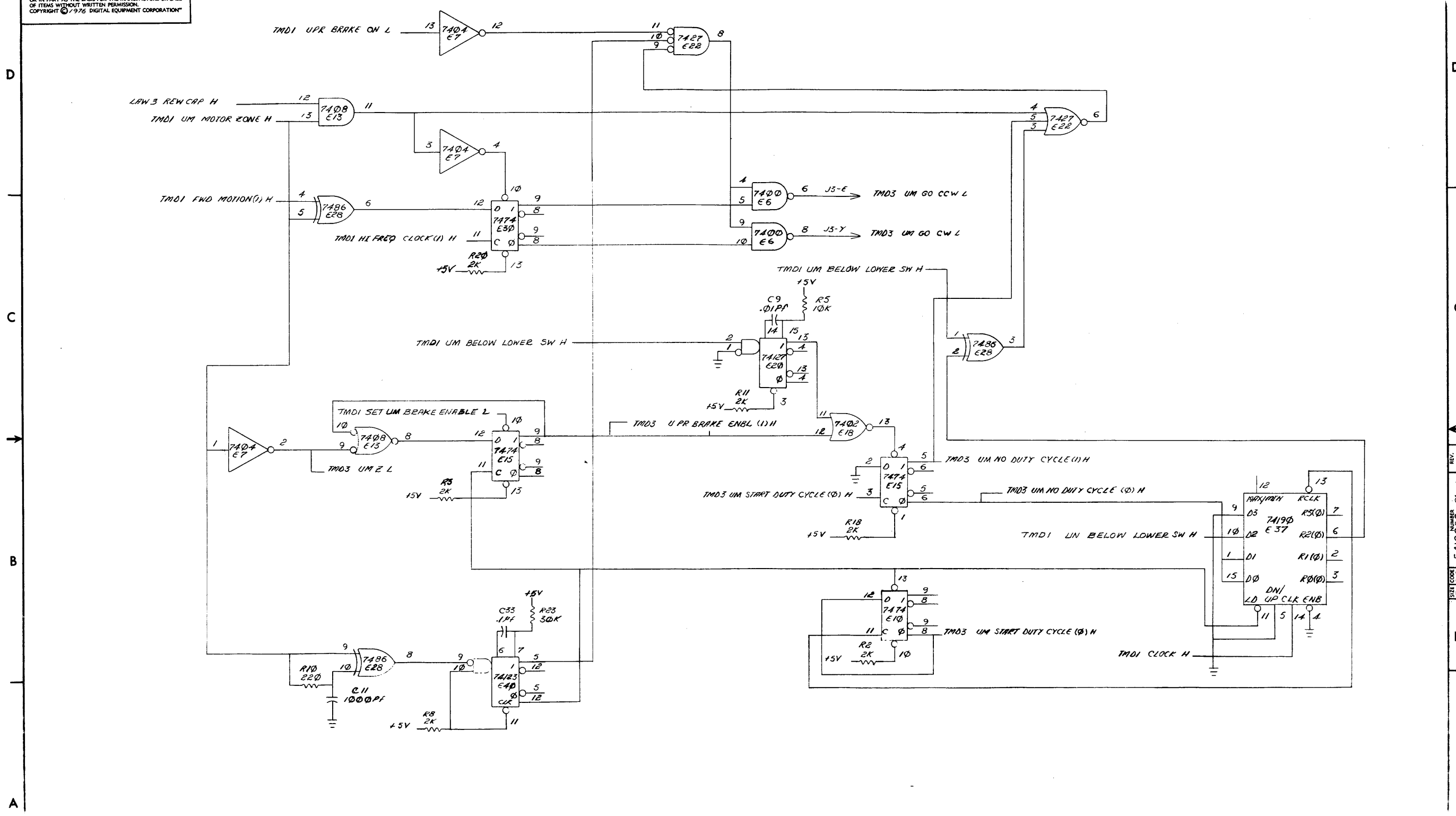
REV. B
D CS 5412262-0-1

THIS DRAWING AND SPECIFICATIONS HEREIN ARE THE PROPERTY OF DIGITAL EQUIPMENT CORPORATION AND SHALL NOT BE REPRODUCED OR COPIED OR USED IN WHOLE OR IN PART AS THE BASIS FOR THE MANUFACTURE OR SALE OF ITEMS WITHOUT WRITTEN PERMISSION. COPYRIGHT © 1976 DIGITAL EQUIPMENT CORPORATION



| REVISIONS | | |
|-----------|------------|------|
| CHK | CHANGE NO. | REV. |
| | | |

"THIS DRAWING AND SPECIFICATIONS, HEREIN, ARE THE PROPERTY OF DIGITAL EQUIPMENT CORPORATION AND SHALL NOT BE REPRODUCED OR COPIED OR USED IN WHOLE OR IN PART AS THE BASIS FOR THE MANUFACTURE OR SALE OF ITEMS WITHOUT WRITTEN PERMISSION. COPYRIGHT © 1976 DIGITAL EQUIPMENT CORPORATION"

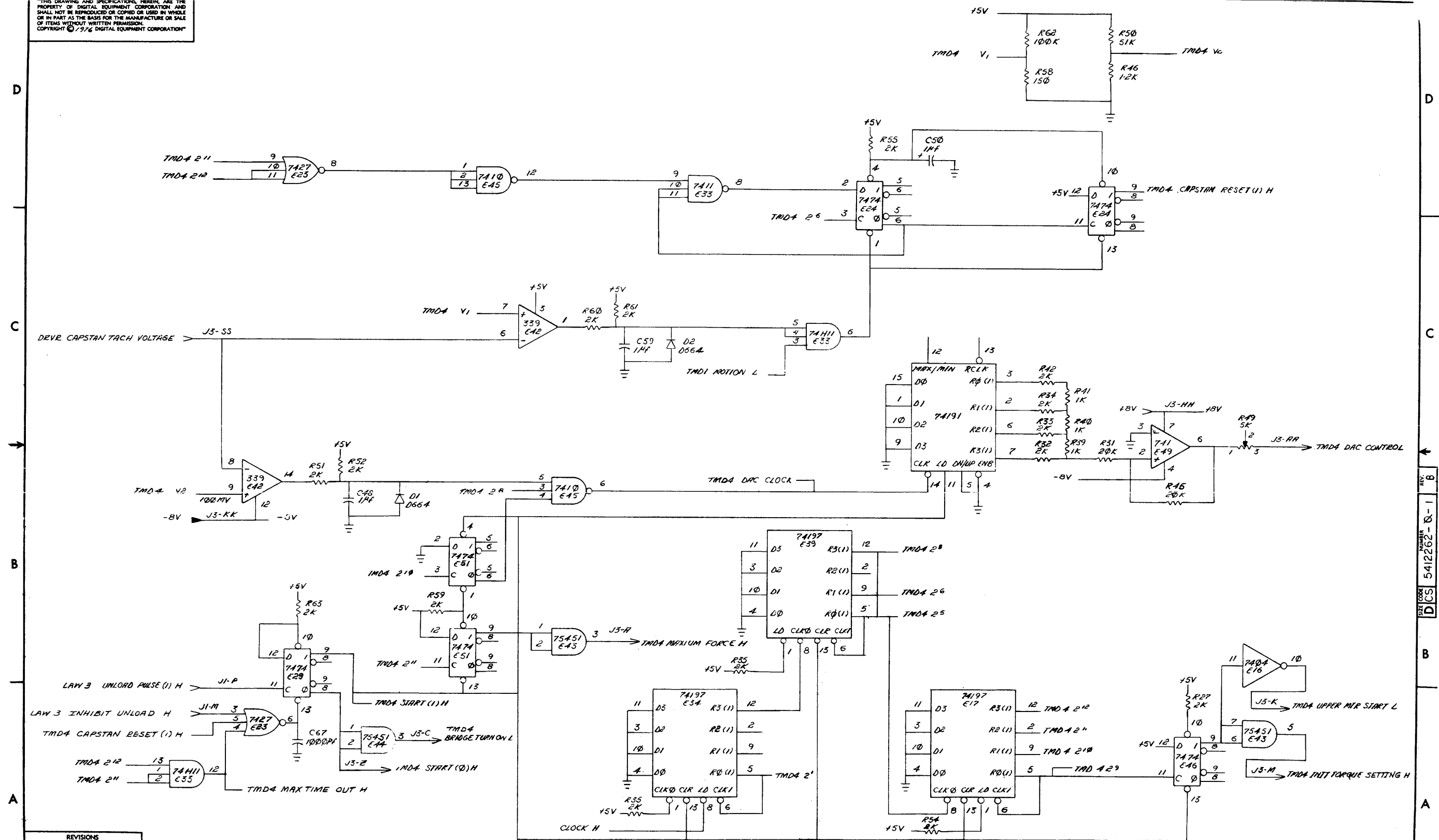


| REVISIONS | | |
|-----------|------------|------|
| CHK | CHANGE NO. | REV. |
| | | |
| | | |

| | | | | | | | |
|-------|-----------------------------------|-----------|--------|--------|-------------|------|---|
| TITLE | TAPE MOTION (TMD3) DAUGHTER BOARD | SIZE CODE | DCS | NUMBER | 5412262-0-1 | REV. | B |
| SCALE | NONE | SHEET | 3 OF 4 | DIST. | | | |

REV. B
 NUMBER 5412262-0-1
 SIZE CODE DCS
 SHEET 3 OF 4

THIS DRAWING AND SPECIFICATIONS, HEREIN, ARE THE PROPERTY OF DIGITAL EQUIPMENT CORPORATION AND SHALL NOT BE REPRODUCED OR COPIED OR USED IN WHOLE OR IN PART AS THE BASIS FOR THE MANUFACTURE OR SALE OF ITEMS WITHOUT WRITTEN PERMISSION.
 COPYRIGHT © 1976 DIGITAL EQUIPMENT CORPORATION



REVOLUTIONS

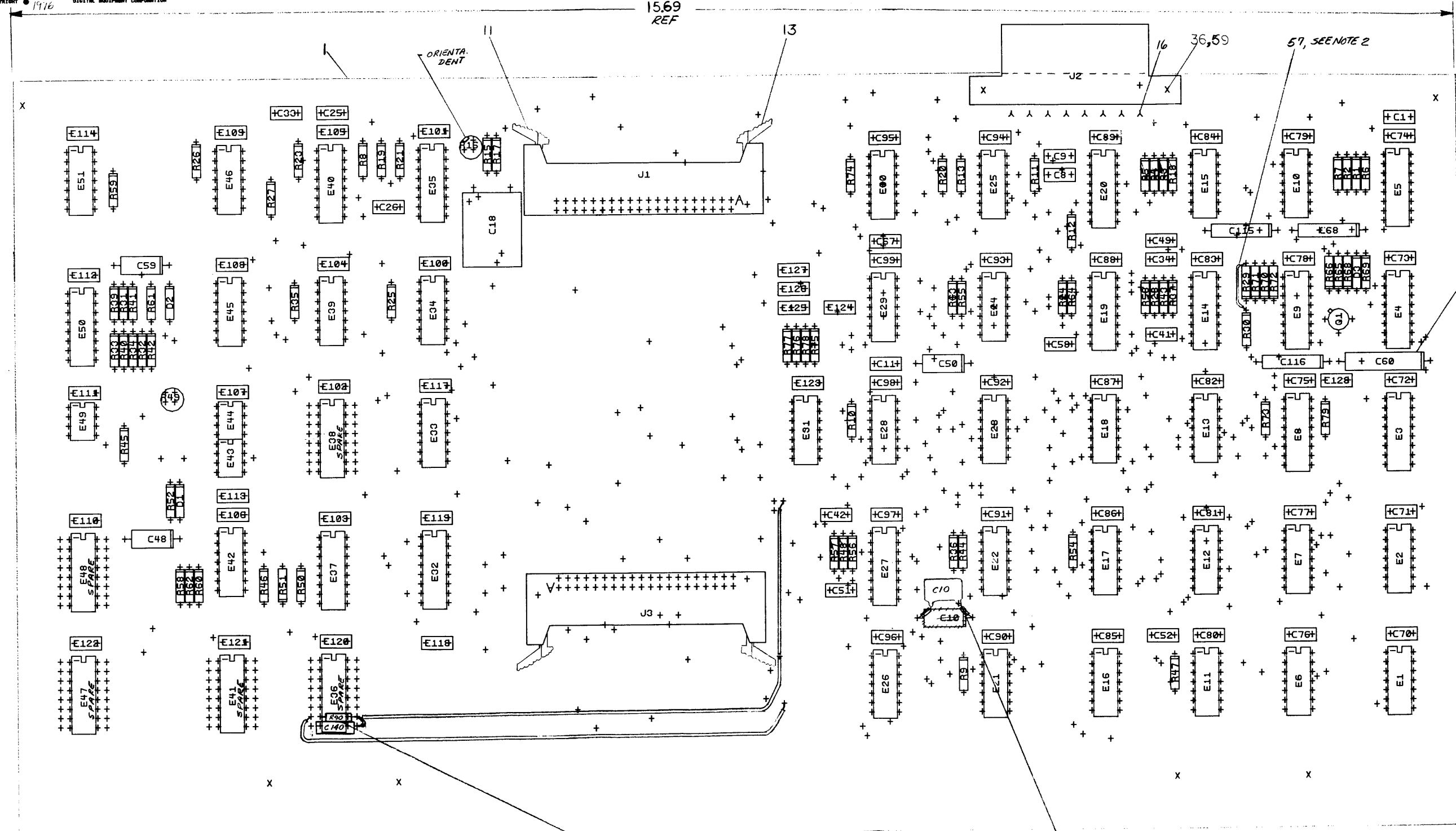
| CHK | CHANGE NO. | REV. |
|-----|------------|------|
| | | |

DATE CODE: DCS
 NUMBER: 5412262-0-1
 REV: B
 1
 B
 8

THIS DRAWING AND SPECIFICATIONS, NUMBER, AND THE PROPERTY OF DIGITAL EQUIPMENT CORPORATION AND SHALL NOT BE REPRODUCED OR COPIED IN WHOLE OR IN PART AS THE BASIS FOR THE MANUFACTURE OR SALE OF ITEMS WITHOUT WRITTEN PERMISSION.
 COPYRIGHT © 1976 DIGITAL EQUIPMENT CORPORATION

2 DUA5412262-0-0

COMPONENT SIDE VIEW



NOTES:
 1. REMOVE INSTRUCTIONS. REPLACE C10, WAS 104F, 20V. - 13 10 00629-00, 10H140-00. INSTALL SLEEVING, ITEM 56 ON LEADS OF C10 BEFORE ASSY. LAY C10 DOWN.
 2. ADD REMARK WIRE, ITEM 57.
 4. PLACES AS SHOWN.
 3. REPLACE C60, WAS: 204F, 50V 15:474E, 20V - 1004814-00.

| CHK | CHANGE NO | REV |
|-----|-----------|-----|
| | | |
| | | |
| | | |

REWORK: 1. ADD R90, ITEM 19 - 1002, 13 00229-00
 2. ADD C140, ITEM 58 - .0033UF, 10H140-00

SEE NOTE 1

| |
|-------------------------------|
| ETCH REV. C |
| P.C. DESIGN DATA BASE REV. C1 |

| SIGNATURES | DATE | digital |
|------------------------------------|----------|-----------------------------------|
| ORN. R. SULLIVAN | 10/2/77 | TITETAPE MOTION DAUGHTER BOARD |
| CHK D. J. SULLIVAN | 10/19/77 | |
| ENG. J. SULLIVAN | 11/24/77 | |
| PROJ. ENG. J. SULLIVAN | 1/24/77 | |
| PROD. J. SULLIVAN | 3/24/77 | |
| SCALE 2/1 | OF 3 | SIZE CODE NUMBER |
| SHT. 1 | | D U A 5412262-0-0 |
| NEXT HIGHER ASSY. B-DD-5412262-0-0 | | REV B |

1 MS#81077

DIGITAL EQUIPMENT CORPORATION

PARTS LIST

QUANTITY / VARIATION

NOTES:

USED ON: OPTION/MODEL
H607

| | | |
|---------------------|---------------------------|------------------|
| MADE BY R. Sullivan | CHECKED <i>W. Metzger</i> | SECTION 1 |
| DATE 10 Oct 76 | DATE 11/15/76 | |
| ENG <i>H. Hunt</i> | PROD <i>S. Dillard</i> | ISSUED SECTION 1 |
| DATE 3 Jan 77 | DATE 3 JAN 77 | |

| ITEM NO. | DRAWING NO. | PART NO. | DESCRIPTION | REF | QUANTITY | VARIATION | REF DESIGNATION |
|----------|--|--------------------------|---|-------------------|----------|-----------|--|
| | D-UA-5411262-0-0 B-DD-5411262-0 D-CS-5411262-0-1 | | UNIT ASSY DWG DIRECTORY CIRCUIT SCHEMATIC | REF REF REF | | | |
| 1 | D-MD-5011261-0-0 | | ETCHED CIRCUIT BOARD | | 1 | | |
| 2 | | 10-01610-01 | CAP .01 UF 100V DISC | | 58 | | C8,C9,C70 thru C114,C117 thru C122,C123, C124 thru C127 |
| 3 | | 10-01776-00 | CAP 1.0 UF 35V 10% TANT | | 3 | | C59,C48,C50 |
| 4 | | 10-00042-00 | CAP 1000 PF 100V 5% DM | | 4 | | C11,C67,C52 C10 |
| 5 | | 10-10274-01 | CAP .22 UF 50V CER | | 3 | | C25,C58,C49 |
| 6 | | 10-00027-00 | CAP 820 PF 100V 5% DM | | 1 | | C26 |
| 7 | | 10-10978-36 | CAP .1 UF 50V CER | | 6 | | C1, C33,C42,C51,C34,C41 |
| 8 | | 10-04813-00 | CAP 10 UF 20V 10% TANT | | 1 | | C68, |
| 9 | | 10- 04814 -00 | CAP 47 UF 20V TANT | | 1 | | C60 |
| 10 | | 10-02627-00 | CAP 2.2 UF 20V 10% MYLAR | | 2 | | C115,C116 |
| 11 | | 12-09941-03 | LATCH, LEFT FOR ANG HEADER | | 2 | | |
| 12 | | 11-00114 | DIODE D664 | | 3 | | D1,D2,D3 |
| 13 | | 12-09941-04 | LATCH, RIGHT FOR ANG HEADER | | 2 | | |
| 14 | | 12-09941-02 | CONN 40 PIN BERG | | 2 | | J1,J3 |
| 15 | | 12-09340 | CONN MATE-N-LOK 8 PIN | | 1 | | J2 |
| 16 | | 12-09456-01 | CONTACT (SOCKET TERMINAL) | | 8 | | |

E.C.O. NO. _____

| | | | | | | |
|--|----------------------------|----------------|--------------------------------------|------|-------------|------|
| THIS DRAWING AND SPECIFICATIONS HEREIN ARE THE PROPERTY OF DIGITAL EQUIPMENT CORPORATION AND SHALL NOT BE REPRODUCED OR COPIED OR USED IN WHOLE OR IN PART AS THE BASIS FOR THE MANUFACTURE OR SALE OF ITEMS WITHOUT WRITTEN PERMISSION. COPYRIGHT © 1976 DIGITAL EQUIPMENT CORPORATION. | TITLE | ASSY NO. | SIZE | CODE | NUMBER | REV. |
| | TAPE MOTION DAUGHTER BOARD | B-DD-5412262-0 | B | PL | 5412262-0-0 | B |
| | | SHEET 1 OF 4 | INSERTION PARTS LIST DATA BASE REV 5 | | | |

| DIGITAL EQUIPMENT CORPORATION | | | | QUANTITY / VARIATION | | | | | | | | NOTES: | |
|-------------------------------|-------------|----------------------------|------------------|----------------------|--|--|--|--|--|--|--|-------------------------------|--|
| PARTS LIST | | | | | | | | | | | | USED ON: OPTION/MODEL H607 | |
| MADE BY R. Sullivan | | CHECKED <i>Jna Metzger</i> | | | | | | | | | | REF DESIGNATION | |
| DATE 10 OCT 76 | | DATE 11/15/76 | | | | | | | | | | | |
| ENG <i>S. Shank</i> | | PROD <i>H. Dillard</i> | | | | | | | | | | | |
| DATE 3 Jan 77 | | DATE 3 JAN 77 | | | | | | | | | | | |
| ITEM NO. | DRAWING NO. | PART NO. | DESCRIPTION | | | | | | | | | | |
| 17 | | 13-04838 | RES 43K 1/4W 5% | 1 | | | | | | | | | R21 |
| 18 | | 13-02394 | RES 30K 1/4W 5% | 9 | | | | | | | | | R1, R19, R23, R53, R64, R28, R36, R43, R56 |
| 19 | | 13-00229-00 | RES 100 1/4W 5% | 1 | | | | | | | | | R90 |
| 20 | | 13-00250 | RES 150 1/4W 5% | 1 | | | | | | | | | R58 |
| 21 | | 13-02388 | RES 2K 1/4W 5% | 34 | | | | | | | | | R2, R3, R6, R8, R15, R20, R24, E25, R26, R30, R32, R4, R7, R11, R13, R18, R27, R55, R59, R63, R72, R69, R73, R33, R34, R35, R42, R51, R52, R54, R57, R60, R61, R74 |
| 22 | | 13-03179 | RES 8.2K 1/4W 5% | 1 | | | | | | | | | R17 |
| 23 | | 13-00479 | RES 10K 1/4W 5% | 6 | | | | | | | | | R5, R12, R29, R37, R44, R48 |
| 24 | | 13-02466 | RES 100K 1/4W 5% | 1 | | | | | | | | | R62 |
| 25 | | 13-04839 | RES 51K 1/4W 5% | 1 | | | | | | | | | R50 |
| 26 | | 13-02391 | RES 20K 1/4W 5% | 2 | | | | | | | | | R31, R45 |
| 27 | | 13-01320 | RES 1.2 1/4W 5% | 1 | | | | | | | | | R46 |
| 28 | | 13-00365 | RES 1.0K 1/4W 5% | 7 | | | | | | | | | R39, R40, R41, R75, R76, R77, R78 |
| 29 | | 13-00271 | RES 220 1/4W 5% | 3 | | | | | | | | | R9, R10, R47 |
| 30 | | 13-02396 | RES 150K 1/4W 5% | 1 | | | | | | | | | R65 |
| 31 | | 13-00510 | RES 33K 1/4W 10% | 1 | | | | | | | | | R66 |
| 32 | | 13-01808 | RES 22K 1/4W 5% | 3 | | | | | | | | | R68, R70, R71 |
| 33 | | 13-00202 | RES 47 1/4W 5% | 1 | | | | | | | | | R79 |

| | | | | | | |
|---|--|--|------------------|-------------------|--|------------------|
| THIS DRAWING AND SPECIFICATIONS, HEREIN, ARE THE PROPERTY OF DIGITAL EQUIPMENT CORPORATION AND SHALL NOT BE REPRODUCED OR COPIED OR USED IN WHOLE OR IN PART AS THE BASIS FOR THE MANUFACTURE OR SALE OF ITEMS WITHOUT THE WRITTEN PERMISSION OF DIGITAL EQUIPMENT CORPORATION. COPYRIGHT © 1976 DIGITAL EQUIPMENT CORPORATION. | TITLE TAPE MOTION DAUGHTER BOARD | ASSY NO. B-DD-5412262-0-0 SHEET 2 OF 4 | SIZE B | CODE PL | NUMBER 5412262-0-0 INSERTION PARTS LIST DATA BASE REV B | REV. B |
|---|--|--|------------------|-------------------|--|------------------|

DIGITAL EQUIPMENT CORPORATION

PARTS LIST

QUANTITY / VARIATION

NOTES:

USED ON: OPTION/MODEL
H607

| | | |
|---------------------|-----------------------------|------------------|
| MADE BY R. Sullivan | CHECKED <i>John Metzger</i> | SECTION 1 |
| DATE 10 Oct 76 | DATE 11/15/76 | |
| ENG <i>H. Dink</i> | PROD <i>H. Willard</i> | ISSUED SECTION 1 |
| DATE 3 Jan 77 | DATE 3 JAN 77 | |

| ITEM NO. | DRAWING NO. | PART NO. | DESCRIPTION | QTY | UNIT | REF DESIGNATION |
|----------|-------------|-------------|--------------------------|-----|------|----------------------------------|
| 34 | | 13-09150-06 | POT 50K 1/2W 10% (ROUND) | 1 | | R16 |
| 35 | | 13-09150-04 | POT 5K 1/2W 10% (ROUND) | 1 | | R49 |
| 36 | | 90-06693 | WASHER 3/8 DIM. | 2 | | |
| 37 | | 15-09338 | TRANS DEC 6531B | 1 | | Q1' |
| 38 | | 19-12108 | I.C LM339 | 1 | | E42 |
| 39 | | 19-10436 | I.C 74123 | 9 | | E40,E19,E27,E35,E14,E20,E9,E4,E5 |
| 40 | | 19-05547 | I.C. 7474 | 8 | | E51,E46,E29,E30,E24,E25,E15,E10 |
| 41 | | 19-10155 | I.C. 7408 | 3 | | E12,E13,E2 |
| 42 | | 19-09686 | I.C. 7404 | 2 | | E16,E7 |
| 43 | | 19-10011 | I.C. 7486 | 3 | | E28,E21,E11 |
| 44 | | 19-05575 | I.C. 7400 | 2 | | E26,E6 |
| 45 | | 19-09004 | I.C. 7402 | 1 | | E18 |
| 46 | | 19-10878 | I.C. 7427 | 3 | | E22,E23,E1 |
| 47 | | 19-10096 | I.C. 74191 | 1 | | E50 |
| 48 | | 19-10655 | I.C. 74157 | 1 | | E32 |
| 49 | | 19-10298 | I.C. 741 | 1 | | E49 |
| 50 | | 19-11195 | I.C. 7497 | 1 | | E8 |
| 51 | | 19-10035 | I.C. 74197 | 3 | | E39,E34,E17 |
| 52 | | 19-05576 | I.C. 7410 | 1 | | E45 |

E.C.O. NO. _____

| | | | | | | |
|--|----------------------------|----------------|--------------------------------------|------|-------------|------|
| THIS DRAWING AND SPECIFICATIONS, HEREIN, ARE THE PROPERTY OF DIGITAL EQUIPMENT CORPORATION AND SHALL NOT BE REPRODUCED OR COPIED OR USED IN WHOLE OR IN PART AS THE BASIS FOR THE MANUFACTURE OR SALE OF ITEMS WITHOUT WRITTEN PERMISSION. COPYRIGHT © 1976 DIGITAL EQUIPMENT CORPORATION. | TITLE | ASSY NO. | SIZE | CODE | NUMBER | REV. |
| | TAPE MOTION DAUGHTER BOARD | B-DD-5412262-0 | B | PL | 5412262-0-0 | B |
| | | SHEET 3 OF 4 | INSERTION PARTS LIST DATA BASE REV B | | | |

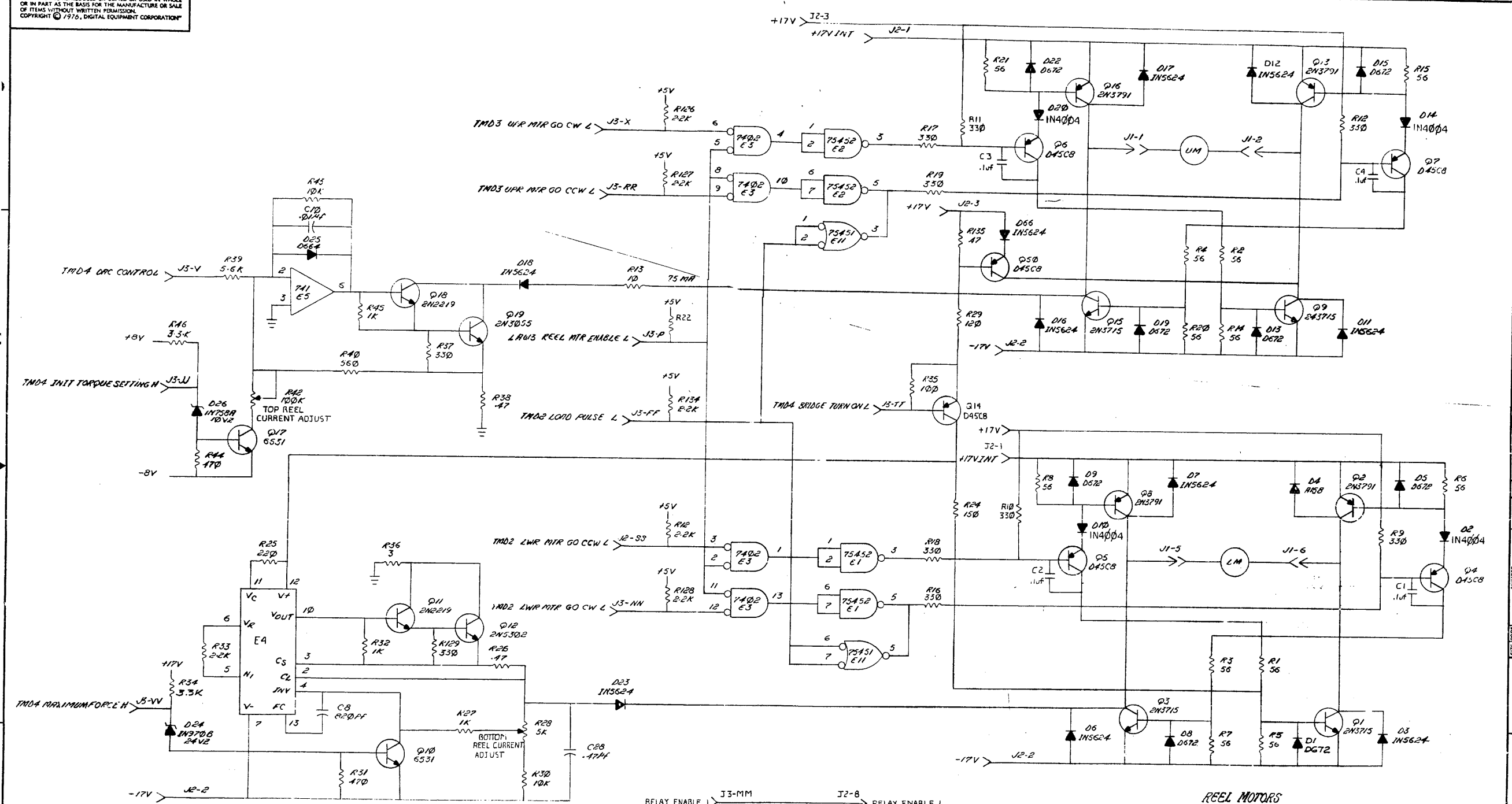
| DIGITAL EQUIPMENT CORPORATION | | | | QUANTITY / VARIATION | | | | | | | | | | NOTES: | | |
|-------------------------------|-------------|-----------------------------|-----------------------------|----------------------|--|--|--|--|--|--|--|--|--|---------------------------------|--|----------|
| PARTS LIST | | | | | | | | | | | | | | USED ON: OPTION / MODEL H607 | | |
| MADE BY D. Sullivan | | CHECKED <i>John Metzger</i> | | | | | | | | | | | | REF DESIGNATION | | |
| DATE 10 OCT 76 | | DATE 11/15/76 | | | | | | | | | | | | | | |
| ENG <i>W. Shub</i> | | PROD <i>M. Dillard</i> | | | | | | | | | | | | | | |
| DATE 3 Jan 77 | | DATE 3 JAN 77 | | | | | | | | | | | | | | |
| ITEM NO. | DRAWING NO. | PART NO. | DESCRIPTION | | | | | | | | | | | | | |
| 53 | | 19-10406 | I.C. 75451 | 2 | | | | | | | | | | | | E43, E44 |
| 54 | | 19-10095 | I.C. 74190 | 2 | | | | | | | | | | | | E37, E3 |
| 55 | | 19-09267 | I.C. 74H11 | 1 | | | | | | | | | | | | E33 |
| 56 | | 91 07252-02 | SLEEVING | A/R | | | | | | | | | | | | |
| 57 | | 91 05740-55 | WIRE, #30 AWG, GRN | A/R | | | | | | | | | | | | |
| 58 | | 10 11740-01 | CAP. .0033 UF, 50V, 10% CER | 1 | | | | | | | | | | | | C140 |
| 59 | | 90-06745 | EYELET | 2 | | | | | | | | | | | | |
| 60 | | 19-11469 | I.C. 8640 | 1 | | | | | | | | | | | | E31 |
| 61 | | 10-00024-00 | CAP 470 PF 100V 5% DM | 1 | | | | | | | | | | | | C128 |
| 62 | | 10-01636-00 | CAP 2400 PF 100V 5% DM | 1 | | | | | | | | | | | | C18 |
| C | | | | | | | | | | | | | | | | |

E.C.O. NO.

| | | | | | | | | | | | |
|---|--|--|------------------------------------|--|----------------------------|--|--------------------------------------|--|-----------------------|--|-----------|
| THIS DRAWING AND SPECIFICATIONS. HEREIN. ARE THE PROPERTY OF DIGITAL EQUIPMENT CORPORATION AND SHALL NOT BE REPRODUCED OR COPIED OR USED IN WHOLE OR IN PART AS THE BASIS FOR THE MANUFACTURE OR SALE OF ITEMS WITHOUT WRITTEN PERMISSION. COPYRIGHT © 1976 . DIGITAL EQUIPMENT CORPORATION | | | TITLE TAPE MOTION DUGHTER BOARD | | ASSY NO. B-DD-5412262-0 | | SIZE CODE B PL | | NUMBER 5412262-0-0 | | REV. B |
| | | | | | SHEET 4 OF 4 | | INSERTION PARTS LIST DATA BASE REV 5 | | | | |

THIS DRAWING AND SPECIFICATIONS, HEREIN, ARE THE PROPERTY OF DIGITAL EQUIPMENT CORPORATION AND SHALL NOT BE REPRODUCED OR COPIED OR USED IN WHOLE OR IN PART AS THE BASIS FOR THE MANUFACTURE OR SALE OF ITEMS WITHOUT WRITTEN PERMISSION OF DIGITAL EQUIPMENT CORPORATION. COPYRIGHT © 1970, DIGITAL EQUIPMENT CORPORATION.

5412264-01

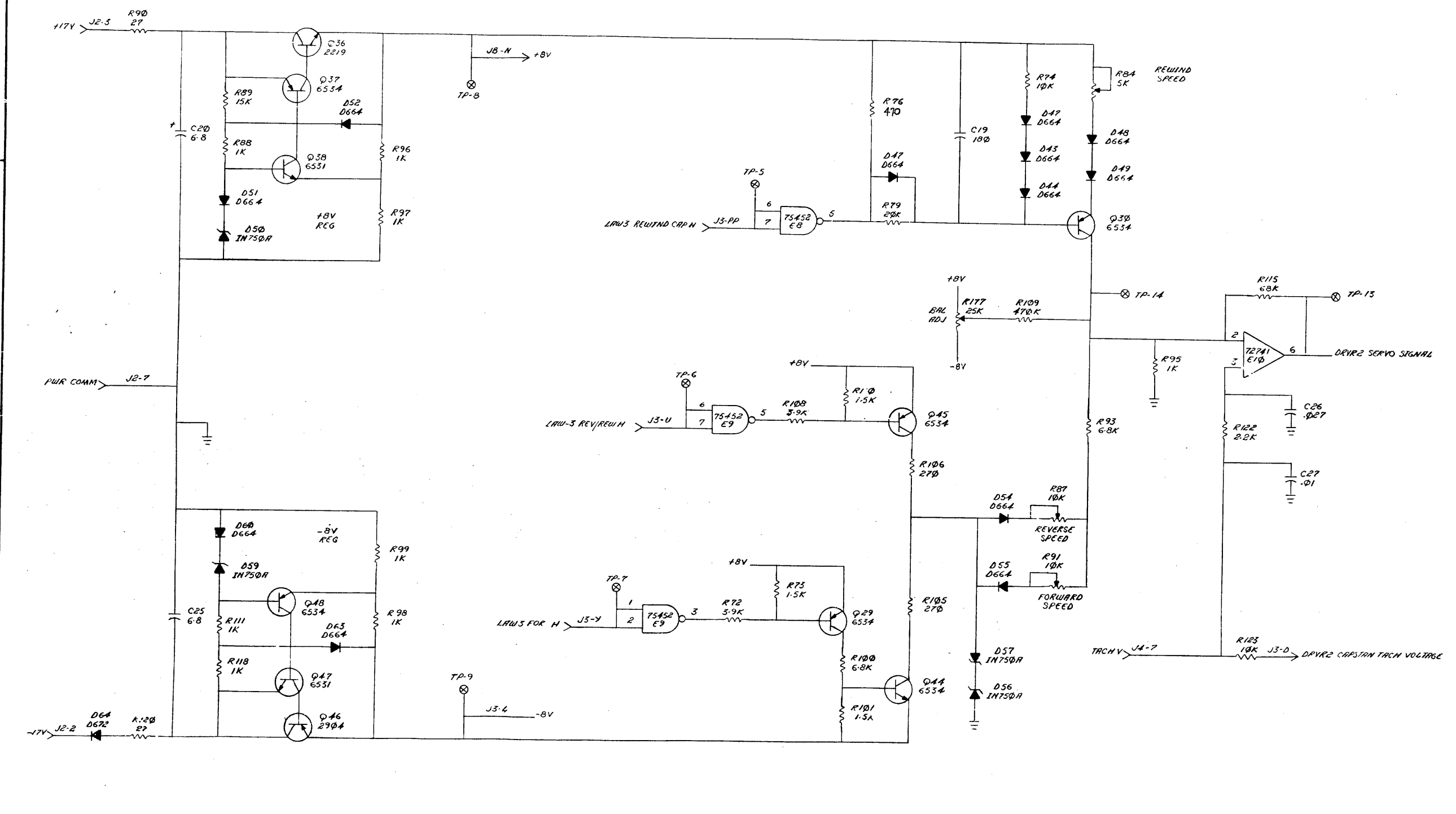


| REV. | CHANGE NO. | DATE | BY | CHKD. |
|------|---------------|----------|--------------|-------|
| B | 5412264-00001 | 5 APR 70 | STEVE A-170P | |
| C | 5412264-00002 | 1-6-78 | H. DRAB | |
| D | 5412264-00003 | 10-16-78 | H. DRAB | |
| E | 5412264-00004 | 1-1-79 | W. J. SMITH | |

| | | | |
|-----------------------------|---------|---------------|---------------------------------------|
| DRN: <i>John DeLo</i> | 1/12/76 | FIRST USED ON | H6.07 |
| CHK: <i>John DeLo</i> | 1/12/76 | TITLE | (DRVR1) TAPE MOTION POWER BOARD |
| ENG: <i>John DeLo</i> | 2/10/76 | SCALE | NOTE |
| PROJ. ENG: <i>John DeLo</i> | 2/10/76 | SHEET | 1 OF 4 |
| PROD. <i>A. Dillard</i> | 2/10/76 | SIZE CODE | D.C.S. 5412264-01-1 |
| NEXT HIGHER ASSY. | | NUMBER | REV. |
| B-DD-5412264-01 | | DIST. | E |

"THIS DRAWING AND SPECIFICATIONS HEREIN ARE THE PROPERTY OF DIGITAL EQUIPMENT CORPORATION AND SHALL NOT BE REPRODUCED OR COPIED OR USED IN WHOLE OR IN PART AS THE BASIS FOR THE MANUFACTURE OR SALE OF ITEMS WITHOUT WRITTEN PERMISSION. COPYRIGHT © 1976 DIGITAL EQUIPMENT CORPORATION"

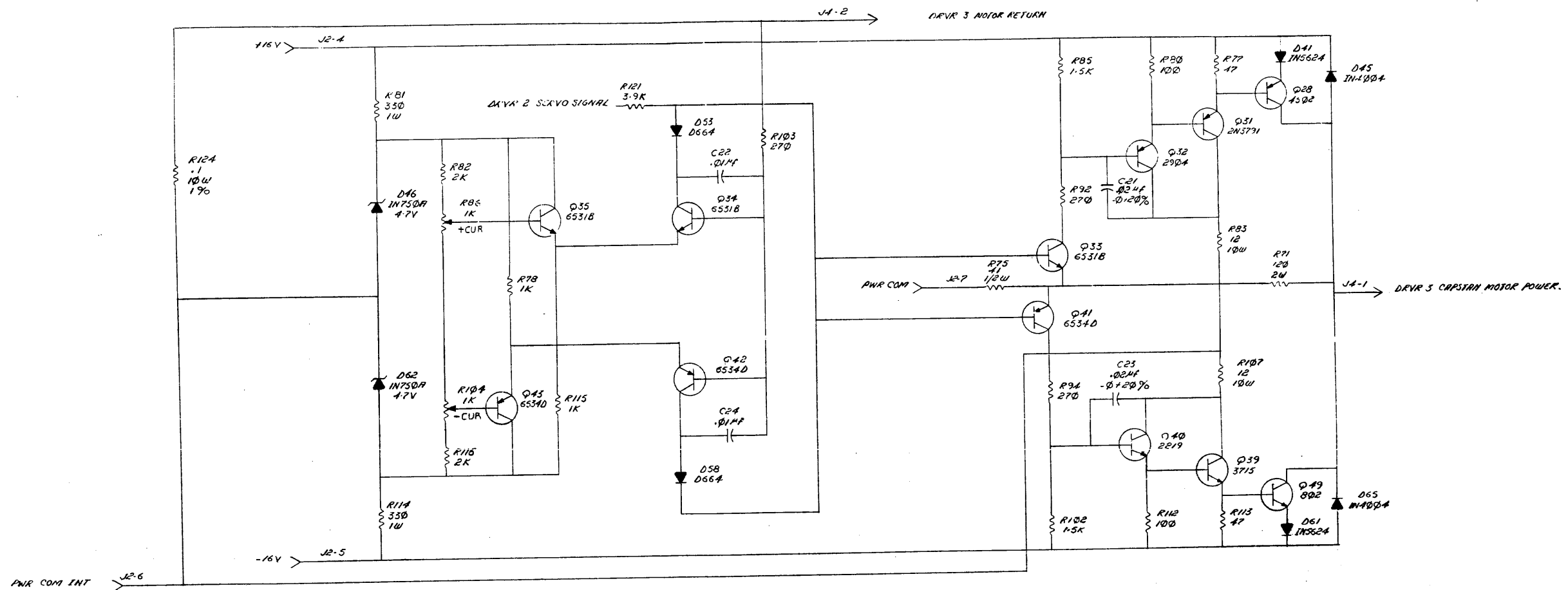
3 1-0-1-22149 57 D 2



| REVISIONS | | |
|-----------|------------|------|
| CHK | CHANGE NO. | REV. |
| | | |
| | | |
| | | |
| | | |
| | | |
| | | |
| | | |
| | | |
| | | |

TITLE: TAPE MOTION POWER BOARD (DRVR2)
 NUMBER: DCS 5412254-0-1
 SHEET 2 OF 4
 SCALE: 1/8" = 1"

THIS DRAWING AND SPECIFICATIONS HEREIN ARE THE PROPERTY OF DIGITAL EQUIPMENT CORPORATION AND SHALL NOT BE REPRODUCED OR COPIED OR USED IN WHOLE OR IN PART AS THE BASIS FOR THE MANUFACTURE OR SALE OF ITEMS WITHOUT WRITTEN PERMISSION. COPYRIGHT © 1975 DIGITAL EQUIPMENT CORPORATION

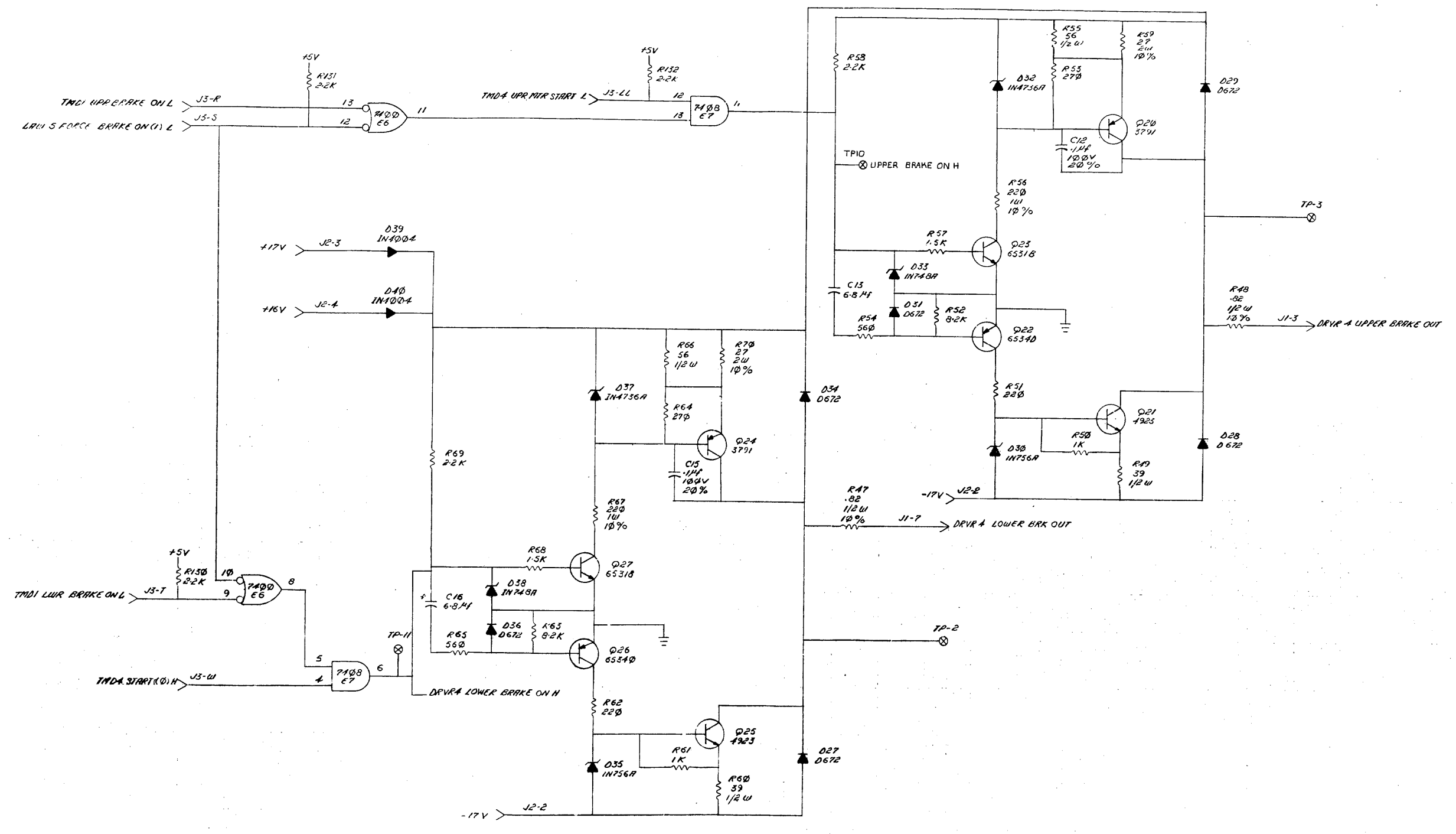


CAPSTAN DRIVER

| REVISIONS | | |
|-----------|------------|------|
| CHK | CHANGE NO. | REV. |
| | | |

| | | | | | | | |
|-------|------------------------------------|-----------|-----|--------|-------------|-------|---|
| TITLE | TAPE MOTION (DRVR3) POWER BOARD | SIZE CODE | DCS | NUMBER | 5412264-0-1 | REV. | E |
| SCALE | | SHEET | 3 | OF | 4 | DIST. | 1 |

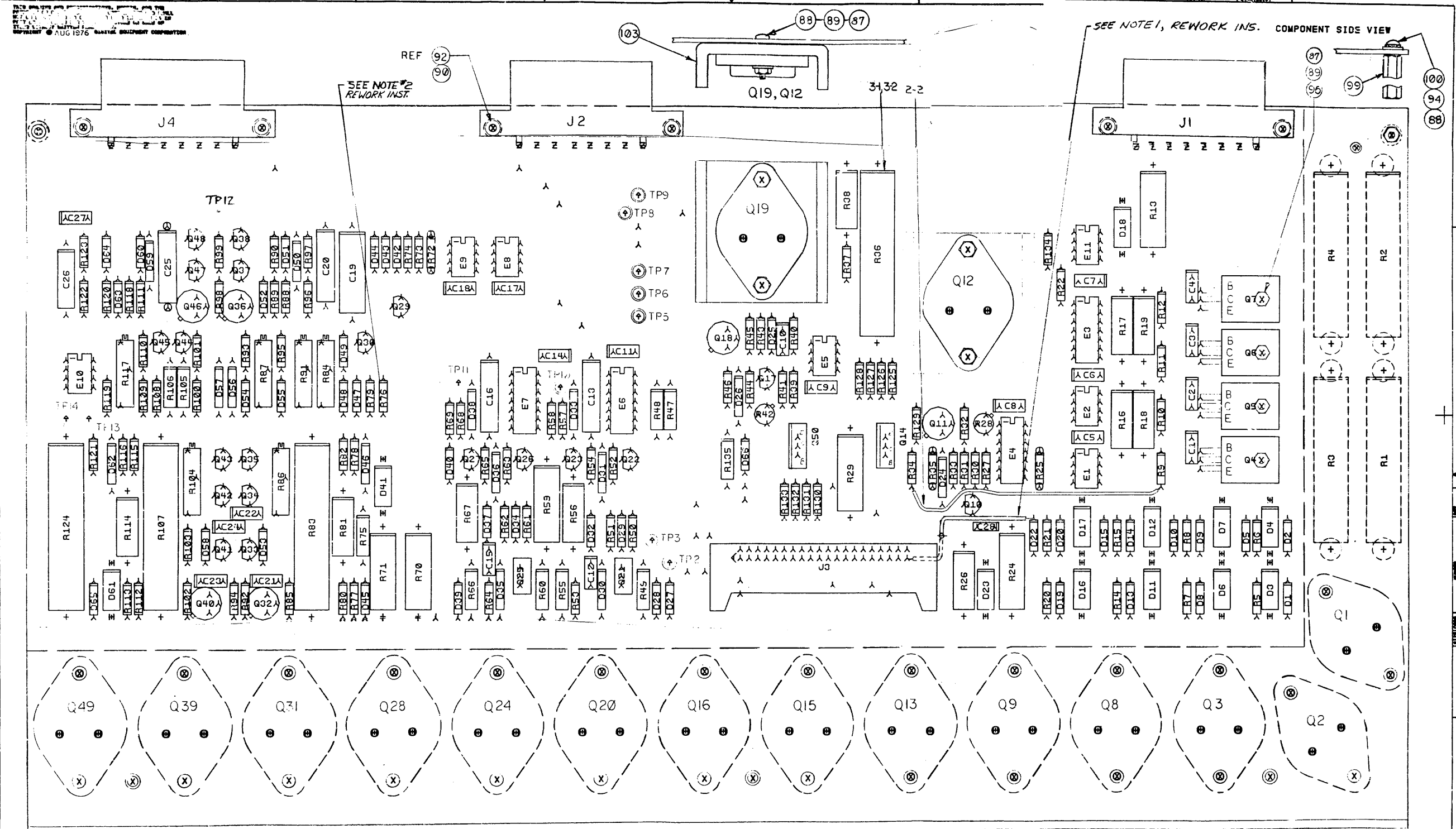
"THIS DRAWING AND SPECIFICATIONS, HEREIN, ARE THE PROPERTY OF DIGITAL EQUIPMENT CORPORATION AND SHALL NOT BE REPRODUCED OR COPIED OR USED IN WHOLE OR IN PART AS THE BASIS FOR THE MANUFACTURE OR SALE OF ITEMS WITHOUT WRITTEN PERMISSION. COPYRIGHT © 1976 DIGITAL EQUIPMENT CORPORATION"



| REVISIONS | | |
|-----------|------------|------|
| CHK | CHANGE NO. | REV. |
| | | |
| | | |
| | | |
| | | |

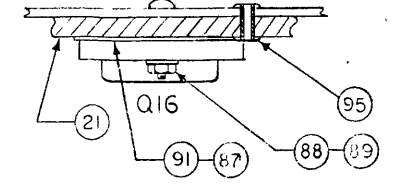
| | | | | | | |
|--------------|-------|-------------|------|-----------|--------------|------|
| TITLE | | DRVR4 | | SIZE CODE | NUMBER | REV. |
| TAPES MOTION | | POWER BOARD | | DCS | 54-12264-8-1 | E |
| SCALE | SHEET | OF | DIST | | | |
| | 4 | 4 | | | | |

DRVR4



NOTES: REWORK INSTRUCTIONS:
 1. DRILL HOLE APPROX AS SHOWN,
 .052 DIA & INSTALL WIRE,
 ITEM 56.
 2. REPLACE R76 PART NO 130099B WITH
 R76 PART NO 1300316
 CONTINUED ON SHEET 4

| CHK | CHANGE NO | REV |
|-----|------------|-----|
| WJ | 5412264-1 | B |
| H | DRAB | |
| S | 5412264-2 | C |
| H | DRAB | |
| Z | 5412264-3 | D |
| H | DRAB | |
| A | 5412264-M1 | E |
| H | DRAB | |
| WJ | SMT | |



| | |
|----------------------------|---|
| ETCH REV. | B |
| P.C. DESIGN DATA BASE REV. | B |

| | |
|----------------------------------|-------------|
| SIGNATURES | DATE |
| DRN. | 5-12-76 |
| CHK'D. | 21 Dec 76 |
| ENG. | 21 Dec 76 |
| PROJ. ENG. | 21 Dec 76 |
| PROD. | 21 Dec 76 |
| SCALE 2/1 | |
| SHT. 1 OF 4 | |
| NEXT HIGHER ASSY. B-00-5412264-0 | |

digital

| | |
|---------------|----------------------------|
| TITLE | TAPE MOTION POWER BOARD |
| SIZE | CODE |
| 0 UA | 5412264-0-0 |
| NUMBER | REV |

| LINE | ITEM | DOCUMENT NUMBER | PART NUMBER | DESCRIPTION | QTY | PER VARIATION | REFERENCE DESIGNATOR |
|------|------|------------------|-------------|-------------------------------|-----|---------------|----------------------------------|
| | | | | | 00 | | |
| 1 | 1 | D-MD-5012263-0-0 | 5012263-00 | 54-12264 | 1 | | |
| 2 | 2 | | 1000049-00 | .027 MFD 100V 10% 663UW MYLR | 1 | | C26 |
| 3 | 3 | | 1010279-00 | .47 MFD 25V 20% 2C023 CER. | 1 | | C28 |
| 4 | 4 | | 1000086-00 | 180 MFD 6V 20% 150D S.TA | 1 | | C19 |
| 5 | 5 | | 1010978-36 | .1 MFD 50V 10% 2C067 CER | 6 | | C1-C4,C12,C15 |
| 6 | 6 | | 1001610-01 | .01 MFD 100V -20+80 Z5U DISC | 12 | | C5-C7,C9-C11,C14,C17,C18,C22, |
| 7 | 7 | | 1005306-00 | 6.8MFD 35V 10% S.TANT | 4 | CONT | C24,C27 |
| 8 | 8 | | 1000004-00 | .02 MFD 100V 20% Z5U DISC | 2 | | C13,C16,C20,C25 |
| 9 | 9 | | 1000027-00 | 820.0 MMF 100V 5%200PPM DM15S | 1 | | C21,C23 |
| 10 | 10 | | 1100114-00 | D 664 QS\75PCB PIV= 25V SP | 15 | | C8 |
| 11 | 11 | | 1100122-00 | 1N 748A VZ= 3.9 5% | 2 | CONT | D25,D42=D44,D47-D49,D51-D55,D58, |
| 12 | 12 | | 1100124-00 | 1N 750A VZ= 4.7 5% .40W P | 6 | | D60,D63 |
| 13 | 13 | | 1105796-00 | 1N 4004 PIV=400 I= 1A D041 SP | 9 | | D33,D38 |
| 14 | 14 | | 1103340-00 | 1N 4736A VZ= 6.8 5% 1W Y | 2 | CONT | D46,D50,D56,D57,D59,D62 |
| 15 | 15 | | 1103441-00 | 1N 756A VZ= 8.2 5% .40W P | 2 | | D39,D40,D45,D65,D66,D2,D10,D14, |
| 16 | 16 | | 1105275-00 | D 672 TR= 15NS PIV= 60V SI | 15 | | D20 |
| 17 | 17 | | 1110856-00 | 1N 970B VZ= 24.0 5% .40W Y | 1 | CONT | D32,D37 |
| 18 | 18 | | 1209340-00 | MATE-N-LOK 8PIN,HOUSING,SKT | 3 | | D30,D35 |
| 19 | 19 | | 1209456-01 | MATE-N-LOK SKT PCB TAB LOOSE | 24 | | D1,D5,D8,D9,D13,D15,D19,D22, |
| 20 | 20 | | 1209941-02 | HEADER 100 40POS RT ANGLE | 1 | | D27-D29,D31,D34,D36,D64 |
| 21 | 21 | | 7411390-00 | BRKT SERVO BRD-TU16 | 1 | | D24 |
| 22 | 22 | | 1300202-00 | 47 1/4W 5% CC | 2 | | J1,J2,J4 |
| 23 | 23 | | 1309995-00 | 56 1/2W 5% CC | 2 | | J3 |
| 24 | 24 | | 1300229-00 | 100 1/4W 5% CC | 3 | | R77,R113 |
| 25 | 25 | | 1300271-00 | 220 1/4W 5% CC | 3 | | R55,R66 |
| | | | | | | | R35,R80,R112 |
| | | | | | | | R25,R51,R62 |

| REVISION HISTORY | | | BASIC PART NO: 5412264 | | | DIGITAL | | | | | | |
|------------------|---------------|-----|-------------------------|------------------|------------|-----------------|-------------------------|------|---------------|-----|--------|--|
| ENG | ECO NUMBER | REV | SECTION A OF A | DRN | P. BOSSMAN | DATE: 30-JUN-78 | | | | | | |
| E.R. | 00002 | C | SECTION VARIATION INDEX | CHK'D | P. BOSSMAN | DATE: 30-JUN-78 | TITLE PARTS LIST | | | | | |
| ER | 00003 | D | [A] 00 | | | | TAPE MOTION POWER BOARD | | | | | |
| D.P. | 5412264-ML004 | E | [B] | DES.ENG. | H. DRAB | DATE: 30-JUN-78 | DOCUMENT NUMBER | | | | | |
| | | | [C] | RESP.ENG. | H. DRAB | DATE: 30-JUN-78 | SIZE | CODE | NUMBER | REV | | |
| | | | [D] | MFG.ENG. | G. DILLARD | DATE: 30-JUN-78 | K | PL | 5412264-0-DBP | E | | |
| | | | [E] | ASSEMBLY NUMBER: | | | | | | | EDIT # | |
| | | | [F] | D-UA-5412264-0-0 | | | | | | | 9 | |
| | | | [G] | | | | | | | | | |
| | | | [H] | | | | | | | | | |
| | | | [I] | | | | | | | | | |
| | | | [J] | | | | | | | | | |
| | | | [K] | | | | | | | | | |
| | | | [L] | | | | | | | | | |
| | | | [M] | | | | | | | | | |
| | | | [N] | | | | | | | | | |

"THIS DRAWING AND SPECIFICATIONS HEREIN, ARE THE PROPERTY OF DIGITAL EQUIPMENT CORPORATION AND SHALL NOT BE REPRODUCED OR COPIED OR USED IN WHOLE OR IN PART AS THE BASIS FOR THE MANUFACTURE OR SALE OF ITEMS WITHOUT WRITTEN PERMISSION. COPYRIGHT (C) 1979, DIGITAL EQUIPMENT CORPORATION"

| LINE ITEM | DOCUMENT NUMBER | PART NUMBER | DESCRIPTION | QTY PER VARIATION | REFERENCE DESIGNATOR |
|-----------|-----------------|-------------|-------------------------------|-------------------|--|
| | | | | 00 | |
| 26 | 26 | 1300277-00 | 220 1W 10% | CC 2 | R56,R67 |
| 27 | 27 | 1300285-00 | 270 1/2W 5% | CC 2 | R105,R106 |
| 28 | 28 | 1300295-00 | 330 1/4W 5% | CC 6 | R9=R12,R37,R129 |
| 29 | 29 | 1300297-00 | 330 1W 5% | CC 6 | R16=R10,R81,R114 |
| 30 | 30 | 1300316-00 | 470 1/4W 5% | CC 3 | R31,R44,R76 |
| 31 | 31 | 1305258-00 | .47 2W 5% | WW 2 | R26,R30 |
| 32 | 32 | 1300365-00 | 1 K 1/4W 5% | CC 14 | R27,R32,R45,R50,R61,R78,R88, CONT R90=R99,R111,R115 |
| 33 | 33 | 1300391-00 | 1.5 K 1/4W 5% | CC 7 | R57,R60,R73,R85,R101,R102,R110 |
| 34 | 34 | 1300417-00 | 2.2 K 1/4W 5% | CC 14 | R22,R33,R50,R69,R122,R125=R128, CONT R130=R134 |
| 35 | 35 | 1300439-00 | 3.3 K 1/4W 5% | CC 2 | R34,R46 |
| 36 | 36 | 1300444-00 | 3.9 K 1/4W 5% | CC 3 | R72,R100,R121 |
| 37 | 37 | 1300479-00 | 10 K 1/4W 5% | CC 4 | R30,R43,R74,R123 |
| 38 | 38 | 1300398-00 | *** THIS ITEM IS NOT USED *** | - | |
| 39 | 39 | 1300496-00 | 15 K 1/4W 5% | CC 3 | R41,R89,R118 |
| 40 | 40 | 1301327-00 | 68 K 1/4W 5% | CC 1 | R119 |
| 41 | 41 | 1301522-00 | 27 1/4W 5% | CC 2 | R90,R120 |
| 42 | 42 | 1301423-00 | 6.8 K 1/4W 5% | CC 2 | R93,R100 |
| 43 | 43 | 1301642-00 | .82 2W 10% | WW 2 | R47,R48 |
| 44 | 44 | 1315841-00 | 3.0 10W 5% | WW 1 | R36 |
| 45 | 45 | 1300257-00 | 150 2W 5% | CC 1 | R24 |
| 46 | 46 | 1301874-00 | 5.6 K 1/4W 5% | CC 1 | R39 |
| 47 | 47 | 1301890-00 | 560 1/4W 5% | CC 3 | R40,R54,R65 |
| 48 | 48 | 1301972-00 | 270 1/4W 5% | CC 5 | R53,R64,R92,R94,R103 |
| 49 | 49 | 1302336-00 | 39 1/2W 5% | CC 2 | R49,R60 |
| 50 | 50 | 1302391-00 | 20 K 1/4W 5% | CC 1 | R79 |
| 51 | 51 | 1302398-00 | 470 K 1/4W 5% | CC 1 | R100 |
| 52 | 52 | 1300172-00 | 10 2W 10% | CC 1 | R13 |
| 53 | 53 | 1302602-00 | 56 1/4W 5% | CC 8 | R5=R8,R14,R15,R20,R21 |
| 54 | 54 | 1301695-00 | 47 1/2W 5% | CC 2 | R75,R135 |
| 55 | 55 | 1302388-00 | 2 K 1/4W 5% | CC 2 | R82,R116 |
| 56 | 56 | 9107688-55 | WIRE(WRAP)24AWG | UL1327 A/R | |
| 57 | 57 | 1303179-00 | 8.2 K 1/4W 5% | CC 2 | R52,R63 |
| 58 | 58 | 1305282-00 | 120 2W 5% | CC 2 | R29,R71 |
| 59 | 59 | 1305396-00 | 56 10W 1% | WW 4 | R1=R4 |
| 60 | 60 | 1305400-00 | 12 10W 5% | WW 2 | R83,R107 |
| 61 | 61 | 1305624-00 | 27 2W 10% | CC 2 | R59,R70 |
| 62 | 62 | 1309108-00 | .1 10W 1% | WW 1 | R124 |
| 63 | 63 | 1309150-14 | 100.0 K 1/2W20% POT | 1 | R42 |
| 64 | 64 | 1309143-07 | 1 K 3/4W10% POT 100PPM | 2 | R86,R104 |
| 65 | 65 | 1309143-09 | 5 K 3/4W10% POT 100PPM | 1 | R84 |
| 66 | 66 | 1309143-10 | 10 K 3/4W20% POT 100PPM | 2 | R87,R91 |
| 67 | 67 | 1309143-12 | 25 K 3/4W20% POT 100PPM | 1 | R117 |
| 68 | 68 | 1501742-00 | DEC2904 PNP 600MW SI 40 40 P | 2 | G32,Q46 |
| 69 | 69 | 1501881-00 | DEC2219 NPN 3WC SI 30100 | 4 | G11,Q18,Q36,Q40 |
| 70 | 70 | 1505819-00 | 2N 3055 NPN 115WC SI 60 20 Y | 1 | Q19 |

| | | | | | | | | | | | | |
|---|---|---|---|---|---|---|-------------------------|----------------|------|------|-----------------|-----|
| D | I | G | I | T | A | L | TITLE | SECTION A OF A | SIZE | CODE | DOCUMENT NUMBER | REV |
| | | | | | | | TAPE MOTION POWER BOARD | | K | PL | 5412264-0-DBP | E |

| LINE | ITEM | DOCUMENT NUMBER | PART NUMBER | DESCRIPTION | QTY PER VARIATION | REFERENCE DESIGNATOR |
|------|------|---------------------|-------------|----------------------------------|-------------------|---|
| | | | | | 00 | |
| 71 | 71 | | 1503068-00 | DEC3715 NPN 150WC SI 60 50 Y | 5 | Q1,Q3,Q9,Q15,Q39 |
| 72 | 72 | | 1503409-00 | DEC6534D PNP 310MW SI 40 90 | 10 | Q22,Q26,Q29,Q30,Q37,Q41-Q43,Q45,Q48 |
| 73 | 73 | | 1509338-00 | DEC6531B NPN 310MW SI 40 90 P | 10 | CONT Q48 Q10,Q17,Q23,Q27,Q33-Q35,Q38,Q44,Q47 |
| 74 | 74 | | 1509581-00 | 2N 3791 PNP 150WC SI 60 30 M | 7 | CONT Q2,Q8,Q13,Q16,Q20,Q24,Q31 |
| 75 | 75 | | 1509604-00 | DEC4923 NPN 30WC SI 80 20 M | 2 | Q21,Q25 |
| 76 | 76 | | 1510334-00 | DEC4502 PNP 200WC SI 90 25 Y | 1 | Q28 |
| 77 | 77 | | 1510335-00 | DEC 802 NPN 200WC SI 90 25 N | 1 | Q49 |
| 78 | 78 | | 1510598-00 | DEC45C8 PNP 27WT SI 60 20 Y | 6 | Q4-Q7,Q14,Q50 |
| 79 | 79 | THIS ITEM IS UNUSED | | | 0 | |
| 80 | 80 | | 1510196-00 | 2N 5302/HSNPN 200WC SI 60 40 M | 1 | Q12 |
| 81 | 81 | | 1905575-00 | 7400 NAND GATE-QUAD 2IN | 1 | E6 |
| 82 | 82 | | 1910155-00 | DEC 7408 AND GATE,POS,QUIP 2I | 1 | E7 |
| 83 | 83 | | 1910298-00 | 741 OP AMP GEN PURP. COM | 2 | E5,E10 |
| 84 | 84 | | 9007201-00 | TRANSIPADS #10253 | 6 | |
| 85 | 85 | | 1910415-00 | 723 VOLT. REG. VAR 2/+3 | 1 | E4 |
| 86 | 86 | | 1910645-00 | 75452 DRIVER,PERIPH,DUAL, | 4 | E1,E2,E8,E9 |
| 87 | 87 | | 9008268-00 | COMPOUND, THERMAL JOINT | 8 | |
| 88 | 88 | | 9006012-04 | SCREW,BIND,SLOT, 4-40X 7/16 | 34 | |
| 89 | 89 | | 9006557-00 | NUT,KEP, 4-40X 1/4 AF | 36 | |
| 90 | 90 | | 9006706-00 | WASHER, NYLON, FLAT #4 .375 OD | 6 | |
| 91 | 91 | | 9006721-00 | WASHER, SPECIAL INSULATING, #294 | 14 | |
| 92 | 92 | | 9006745-00 | EYELET, ROLLED FLANGE, .120 OD X | 6 | |
| 93 | 93 | | 9007791-00 | TERM PCB 2POS SOLDER,TURRET | 12 | TP2,TP3,TP5-TP14 |
| 94 | 94 | | 9006632-00 | WASHER,LOCK,INT,.260OD X .120ID | 2 | |
| 95 | 95 | | 9006746-00 | EYELET, ROLLED FLANGE, .121 OD X | 4 | |
| 96 | 96 | | 9006010-04 | SCREW,BIND,SLOT, 4-40X 5/16 | 4 | |
| 97 | 97 | | 1110420-00 | 1N 5624 PIV=200 I= 5A | 12 | CONT D3,D4,D6,D7,D11,D12,D16-D18,D23,D41,D61 D26 |
| 98 | 98 | | 1100125-00 | 1N 758A VZ= 10.0 5% .40W PPE | 1 | |
| 99 | 99 | | 9007265-00 | SPACER, HEX, ALUM. 4-40, .187 X | 2 | |
| 100 | 100 | | 9006655-00 | WASHER, FLAT, .312 O.D. X .125 I | 2 | |
| 101 | 101 | THIS ITEM IS UNUSED | | | 0 | |
| 102 | 102 | | 1309150-04 | 5 K 1/2W20% POT 100PPM | 1 | R28 |
| 103 | 103 | | 7417136-00 | HEAT SINK (H607) | 2 | |
| 104 | 104 | D-CS-5412264-0-1 | | CIRCUIT SCHEMATIC | REF | |
| 105 | 105 | | 1910406-00 | 75451 DRIVER,PERIPH,DUAL, | 1 | E11 |
| 106 | 106 | | 1909004-00 | DEC 7402 NOR GATE-QUAD 2IN | 1 | E3 |
| 107 | 107 | | 9105740-55 | WIRE(WRAP)30AWG UL1423 | A/R | |
| 108 | 108 | D-UA-5412264-0-0 | | UNIT ASSEMBLY | REF | |

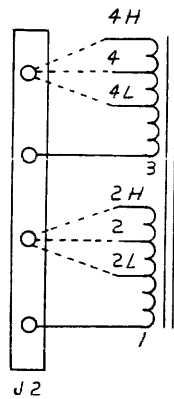
| | | | | | | | | | | | | |
|---|---|---|---|---|---|---|-------------------------|----------------|------|------|-----------------|-----|
| D | I | G | I | T | A | L | TITLE | SECTION A OF A | SIZE | CODE | DOCUMENT NUMBER | REV |
| | | | | | | | TAPE MOTION POWER BOARD | | K | PL | 5412264-0-DBP | E |

THIS DRAWING AND SPECIFICATIONS HEREIN ARE THE PROPERTY OF DIGITAL EQUIPMENT CORPORATION AND SHALL NOT BE REPRODUCED OR COPIED OR USED IN WHOLE OR IN PART AS THE BASIS FOR THE MANUFACTURE OR SALE OF ITEMS WITHOUT WRITTEN PERMISSION.
 COPYRIGHT © 1976 DIGITAL EQUIPMENT CORPORATION

NOTES:

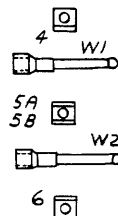
- F2=6 1/4 AMP SB FOR 125V/60 CYCLE OPERATION. USE LITTEL FUSE P/N 313625. F2=4 AMP SB FOR 250 V/50 CYCLE OPERATION.
- ALL 5 TRANSISTORS, Q5 - QB, Q10 ARE TO HAVE #10 AWG TUBING, 3/16" LONG, ON 4-40 SCREWS THAT HOLD TRANSISTORS TO HEAT-SINK.
- THERMAL COMPOUND TO BE APPLIED BETWEEN HEAT SINK AND DIODES D9, D11, D12, Q5-Q8, Q10, AND D15.
- USE ONLY BUSS SLD-BLOW FUSE MDX5 PART #9009791.
- INSTALL #4 LOCKWASHERS (ITEM 107) UNDER THE HEAD OF ALL SCREWS USED TO SECURE Q5-Q8 AND Q10. TORQUE HARDWARE TO 5.5IN. LBS. PART #9008033-1 SHOULD BE USED IN PLACE OF ITEM 18 (9006013-1) ON Q5, Q6, Q7, Q8 AND Q10 TRANSISTORS HAVING EXTRA THICK FLANGES.

| VOLTAGE RANGE 50-60CPS | TRANSFORMER PRIMARY TAPS |
|--------------------------|--------------------------|
| 95 TO 105 195 TO 210 | 1 AND 2L; 3 AND 4L |
| 105 TO 120 210 TO 240 | 1 AND 2; 3 AND 4 |
| 120 TO 132 240 TO 264 | 1 AND 2H; 3 AND 4H |



SEE NOTE 1

| VOLTAGE (NOMINAL) INPUT | W1 CONN | W2 CONN |
|-------------------------|---------|---------|
| 115V 50-60 CPS | 4 | 6 |
| 230V 50-60 CPS | 5A | 5B |



| QTY | REF. DESIGNATION | DESCRIPTION | PART NO. | ITEM NO. |
|--------------|---------------------|----------------------------|-----------------------|---------------------------------|
| 3 | R37,R26,R44 | RES 1K POT | 1309150-03 | 55 REF |
| 2 | R39,R63 | RES 56 1/4 W 5% | 1302602 | 56 REF |
| 2 | R38,R47 | RES 2.4K 1/4 W 5% | 1303177 | 57 REF |
| 1 | R45 | RES 2.74K 1/4 W 1% | 1304868 | 58 1 |
| 3 | R41,R50,R32 | RES 1 2W 5% WW | 1305428 | 59 6 |
| 1 | R51 | RES 10K 1/4 W 5% | 1300479 | 60 20 |
| 1 | R54 | RES 8.2K 1/4 W 5% | 1303179 | 61 2 |
| 3 | R49,R58,R61 | RES 750 1/4 W 5% | 1301401 | 62 2 |
| 1 | R57 | RES 5K POT | 1309150-4 | 63 2 |
| 1 | R59 | RES 500 POT 1/2 W 10% | 1309150-8 | 64 1 |
| 1 | R62 | RES 330 1/4 W 5% | 1300295 | 65 3 |
| 3 | R66,R65,R64 | RES .03 5W 3% | 1310876-01 | 66 3 |
| 2 | R65,R64 | RES .05 5W 3% | 1310876-03 | 67 3 |
| 5 | R21,R28,R35,R48,R67 | RES 100 1/4 W 5% | 1300229 | 68 3 |
| 1 | R69 | RES 10 10W 10% | 1300173 | 69 5 |
| 3 | | WASHER, LOCK, INTERNAL | 9006233 | 70 A/R |
| 4 | | SPACER, ROUND FIBRE #6-32 | 9009556 | 71 10 |
| 3 | | SCREW PAN HD #6-32 x 1/4 | 9006020-1 | 72 10 SEE NOTE 5 |
| 1 | Q5 | TRANSISTOR 2N5302 | 1510196 | 73 A/R |
| 4 | Q6,Q7,Q8,Q10 | TRANSISTOR 2N3055 | 1505819 | 74 1 |
| 2 | Q11,Q12 | TRANSISTOR 2N2904A | 1501913 | 75 1 |
| 3 | D15, D22, D26 | SCR 2N4441 | 1505867 | 76 1 |
| 3 | E1,E2,E3 | I.C. DEC 723 | 1910415 | 77 1 |
| 1 | E4 | I.C. LM304 | 1911555 | 78 52 |
| 1 | E5 | I.C. DEC 75451 | 1910406 | 79 1 C1 |
| 3 | W2,W3,W4 | JUMPER INSULATED (.4) | 9009185 | 80 1 C5 |
| 1 | F2 | FUSE G 1/4 A SB | 9007223 | 81 6 C6, C8, C13, C18, C20, C22 |
| 1 | F2 | FUSE 4A SB | 9007220 | 82 2 C9, C10 |
| 1 | F4 | FUSE 15A SB | 9007227 | 83 2 C17, C19 |
| 1 | F5 | FUSE 3.0 A SB | 9007218 | 84 2 C11, C15 |
| 2 | F6, F7 | FUSE 20A | 9008225 | 85 2 C12, C16 |
| 2 | F8, F9 | FUSE 5A SB | 9007222 | 86 2 C21, C24 |
| 2 | F11, F10 | FUSE 3/4 A | 9007210 | 87 4 D8, D17, D21, D25 |
| 3 | F13, F14, F12 | FUSE 15A (AXIAL LEAD) | 1210929 | 88 2 D9, D11 |
| 1 | F1 | FUSE 5A SB (BUSS MDX5) | 9009791 | 89 4 D10, D18, D19, D27 |
| 1 | K2 | RELAY | 1210683 | 90 1 D16 |
| 2 | L1, L2 | INDUCTOR 12 UH | 1603358 | 91 1 D20 |
| 6 | | WASHER NYLON | 9006707 | 92 1 D23 |
| 3 | | WASHER LOCK | 9007801 | 93 1 D24 |
| 2 | | ROLL PIN 3/8" LONG | 9009370-00 | 94 1 J1 |
| 8 | | SPLIT LUG | 9006735 | 95 2 J2, J3 |
| 1 | W1 (F15 LOCATION) | WIRE, BUSS, 22 AWG. | 9107560-01 | 96 2 J4, J5 |
| 5 | I THRU 4,6 | TAB FASTON | 9008219 | 97 1 R1 |
| 1 | | TAB FASTON | 9007113 | 98 3 R9, R27, R36 |
| 1 | | HEAT SINK | 1210907 | 99 2 R10, R11 |
| 1 | | WASHER, FLAT | 9006653 | 100 2 R12, R13 |
| 1 | | SCR, PAN HD #6-32 X 1/2 | 9006024-1 | 101 3 R42, R46, R52 |
| 1 | | NUT, KEPS | 9008185 | 102 4 R22, R43, R53, R68 |
| A/R | | TUBING, #10 AWG 3/16 LG | 9107302-11 | 103 2 R24, R60 |
| 1 | RES | RES 47 1/4 W 5% | 1300202 | 104 1 R25 |
| A/R | | CLEAR TUBING INSULATION | 9107256 | 105 2 R23, R40 |
| 1 | D12 | DIODE (UNITRODE) | 1113889-0 | 106 1 R30 |
| 10 | | LOCKWASHER #4 INT | 9006632 | 107 2 R31, R55 |
| A/R | | WIRE, 30GA SOLID | 9105740-55 | 108 1 R23 |

| IC TYPE | GND | +5V |
|---|-----|-----|
| 75451 | 4 | 8 |
| GND AND 5V ARE USUALLY PIN 7 AND 14 RESPECTIVELY EXCEPTONS ARE STATED ABOVE | | |
| IC PIN LOCATIONS | | |

| REV. | DATE | BY | CHK'D | APP'D |
|------|----------|------------|-------|-------|
| 1 | 12-18-76 | J. SMITH | | |
| 2 | 1-14-76 | E. VEMONT | | |
| 3 | 1-14-76 | A. KRAVITZ | | |
| 4 | 1-14-76 | H. DRAB | | |
| 5 | 1-14-76 | H. DRAB | | |
| 6 | 1-14-76 | H. DRAB | | |
| 7 | 1-14-76 | H. DRAB | | |
| 8 | 1-14-76 | H. DRAB | | |
| 9 | 1-14-76 | H. DRAB | | |
| 10 | 1-14-76 | H. DRAB | | |
| 11 | 1-14-76 | H. DRAB | | |
| 12 | 1-14-76 | H. DRAB | | |
| 13 | 1-14-76 | H. DRAB | | |
| 14 | 1-14-76 | H. DRAB | | |
| 15 | 1-14-76 | H. DRAB | | |
| 16 | 1-14-76 | H. DRAB | | |
| 17 | 1-14-76 | H. DRAB | | |
| 18 | 1-14-76 | H. DRAB | | |
| 19 | 1-14-76 | H. DRAB | | |
| 20 | 1-14-76 | H. DRAB | | |
| 21 | 1-14-76 | H. DRAB | | |
| 22 | 1-14-76 | H. DRAB | | |
| 23 | 1-14-76 | H. DRAB | | |
| 24 | 1-14-76 | H. DRAB | | |
| 25 | 1-14-76 | H. DRAB | | |
| 26 | 1-14-76 | H. DRAB | | |
| 27 | 1-14-76 | H. DRAB | | |
| 28 | 1-14-76 | H. DRAB | | |
| 29 | 1-14-76 | H. DRAB | | |
| 30 | 1-14-76 | H. DRAB | | |
| 31 | 1-14-76 | H. DRAB | | |
| 32 | 1-14-76 | H. DRAB | | |
| 33 | 1-14-76 | H. DRAB | | |
| 34 | 1-14-76 | H. DRAB | | |
| 35 | 1-14-76 | H. DRAB | | |
| 36 | 1-14-76 | H. DRAB | | |
| 37 | 1-14-76 | H. DRAB | | |
| 38 | 1-14-76 | H. DRAB | | |
| 39 | 1-14-76 | H. DRAB | | |
| 40 | 1-14-76 | H. DRAB | | |
| 41 | 1-14-76 | H. DRAB | | |
| 42 | 1-14-76 | H. DRAB | | |
| 43 | 1-14-76 | H. DRAB | | |
| 44 | 1-14-76 | H. DRAB | | |
| 45 | 1-14-76 | H. DRAB | | |
| 46 | 1-14-76 | H. DRAB | | |
| 47 | 1-14-76 | H. DRAB | | |
| 48 | 1-14-76 | H. DRAB | | |
| 49 | 1-14-76 | H. DRAB | | |
| 50 | 1-14-76 | H. DRAB | | |
| 51 | 1-14-76 | H. DRAB | | |
| 52 | 1-14-76 | H. DRAB | | |
| 53 | 1-14-76 | H. DRAB | | |
| 54 | 1-14-76 | H. DRAB | | |

FIRST USED ON OPTION MODEL
TU16

ETCH BOARD REV. A

DRN. J. SMITH DATE 1-14-76
 CHK'D. E. VEMONT DATE 1-14-76
 ENG. A. KRAVITZ DATE 1-14-76
 PRP. H. DRAB DATE 1-14-76
 NEXT HIGHER ASSY

digital

TU16
POWER SUPPLY

SIZE CODE DCS NUMBER 5412242-0-1 REV. K

SCALE 1 OF 3

SEMICONDUCTOR CONVERSION CHART

8

7

6

5

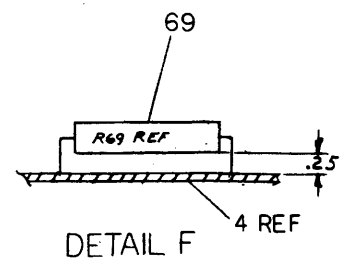
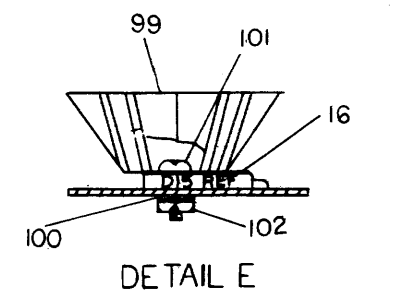
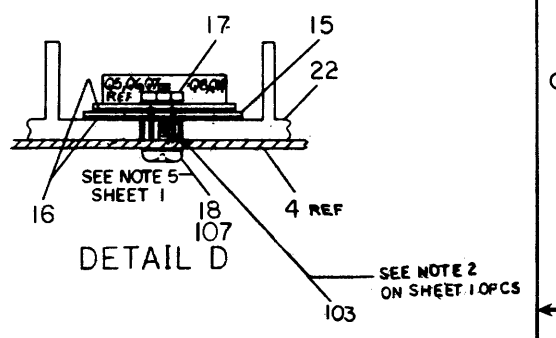
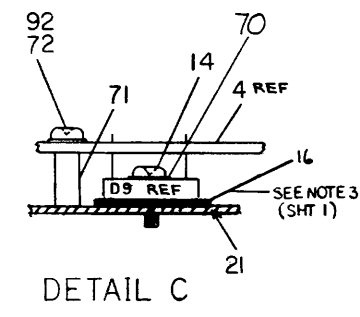
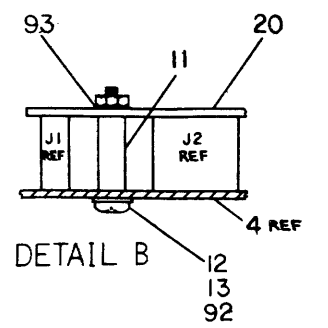
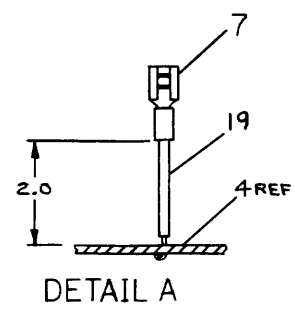
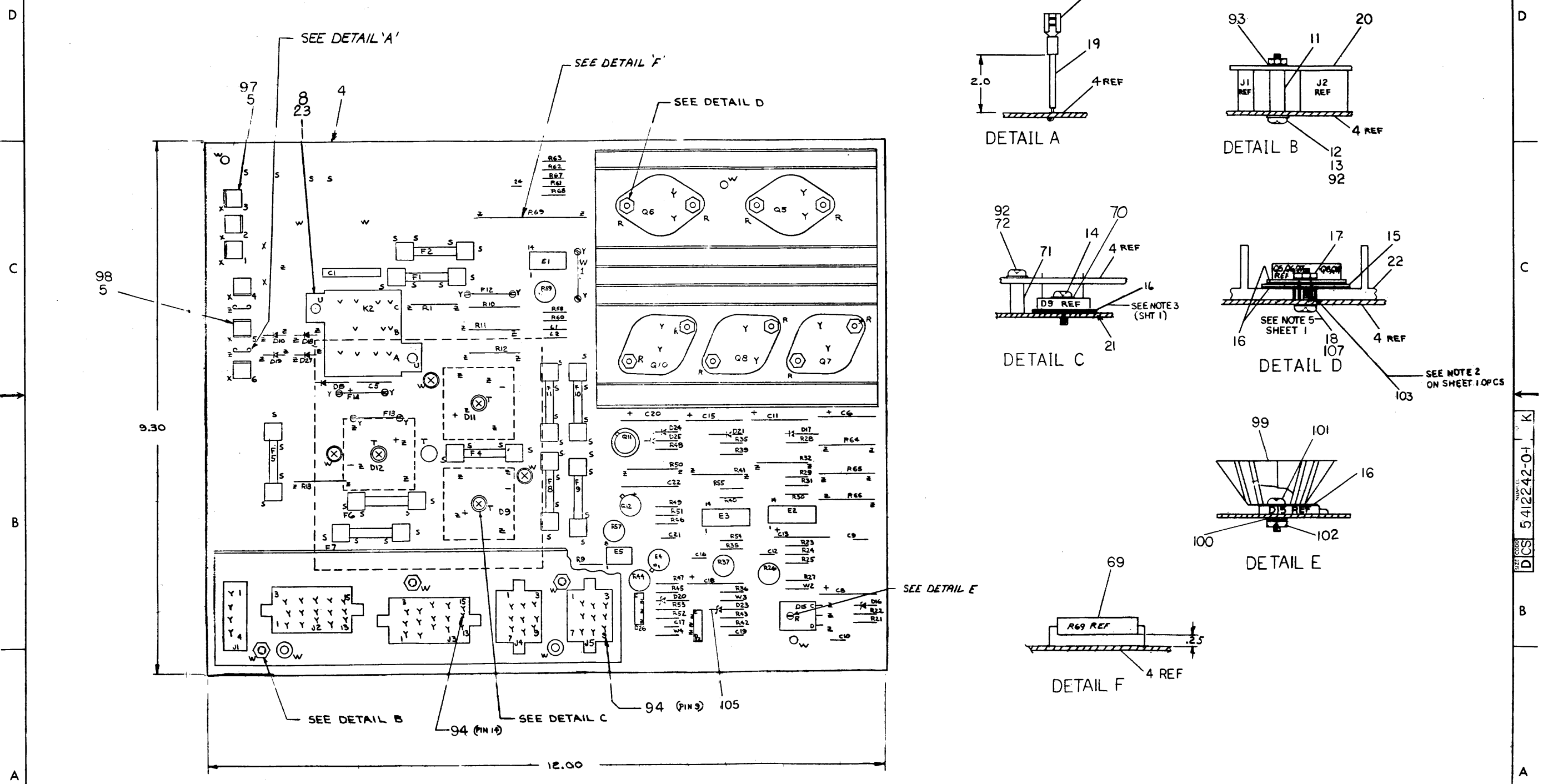
4

3

CS 5412242-0-1 K 2

1

"THIS DRAWING AND SPECIFICATIONS, HEREIN, ARE THE PROPERTY OF DIGITAL EQUIPMENT CORPORATION AND SHALL NOT BE REPRODUCED OR COPIED OR USED IN WHOLE OR IN PART AS THE BASIS FOR THE MANUFACTURE OR SALE OF ITEMS WITHOUT WRITTEN PERMISSION. COPYRIGHT © 1973, DIGITAL EQUIPMENT CORPORATION"



| REVISIONS | | |
|-----------|-----------|-----|
| CHK | CHANGE NO | REV |
| | | |

| | | | | | | | |
|-------|----------------------|-----------|------|--------|---------------|-------|--|
| TITLE | TUI6 POWER SUPPLY | SIZE CODE | D CS | NUMBER | 5412242-0-1 K | REV. | |
| SCALE | 1:1 | SHEET | 2 | OF | 3 | DIST. | |

8

7

6

5

4

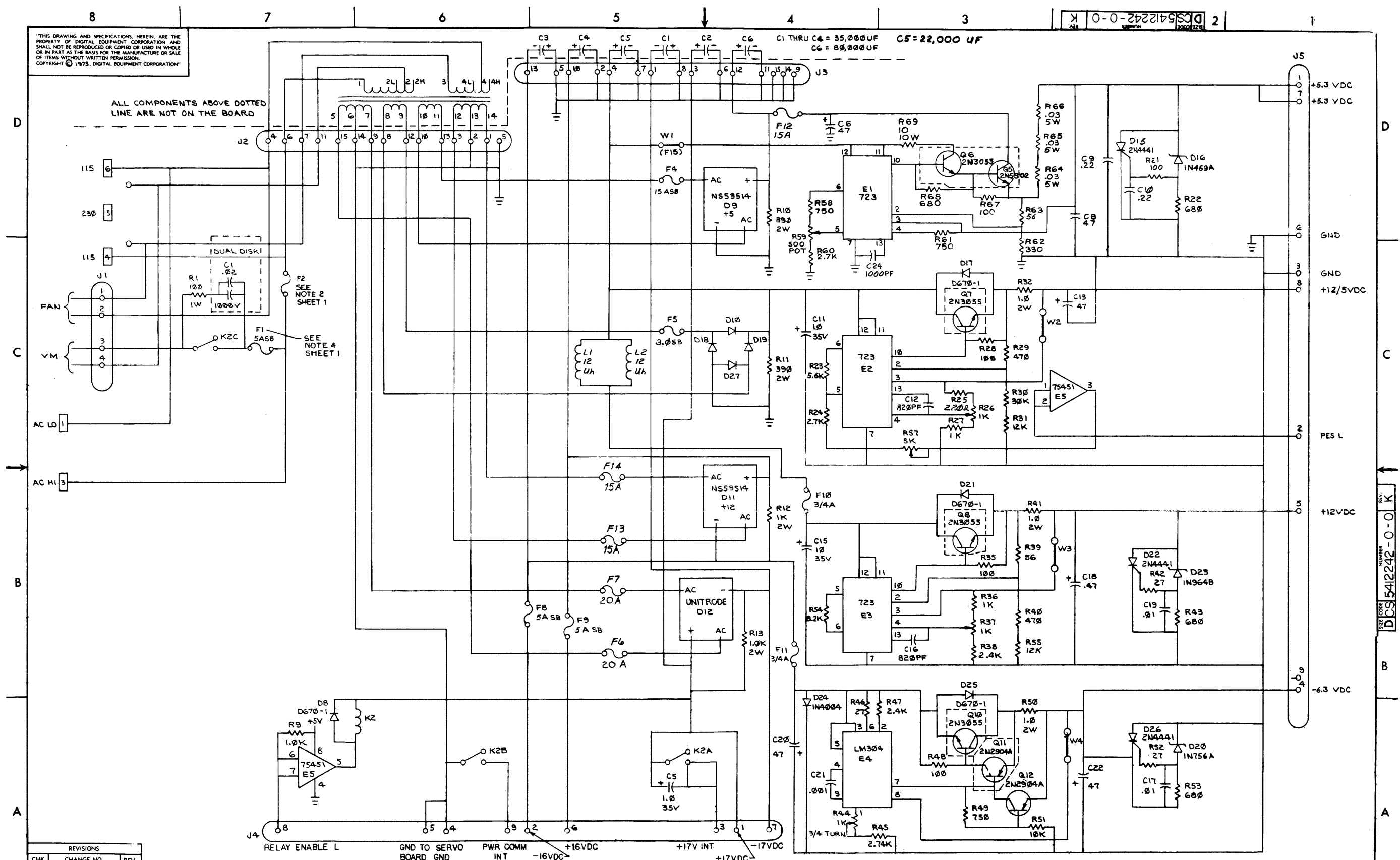
3

2

1

"THIS DRAWING AND SPECIFICATIONS, HEREIN, ARE THE PROPERTY OF DIGITAL EQUIPMENT CORPORATION, AND SHALL NOT BE REPRODUCED OR COPIED OR USED IN WHOLE OR IN PART AS THE BASIS FOR THE MANUFACTURE OR SALE OF ITEMS WITHOUT WRITTEN PERMISSION. COPYRIGHT © 1975, DIGITAL EQUIPMENT CORPORATION"

ALL COMPONENTS ABOVE DOTTED LINE ARE NOT ON THE BOARD



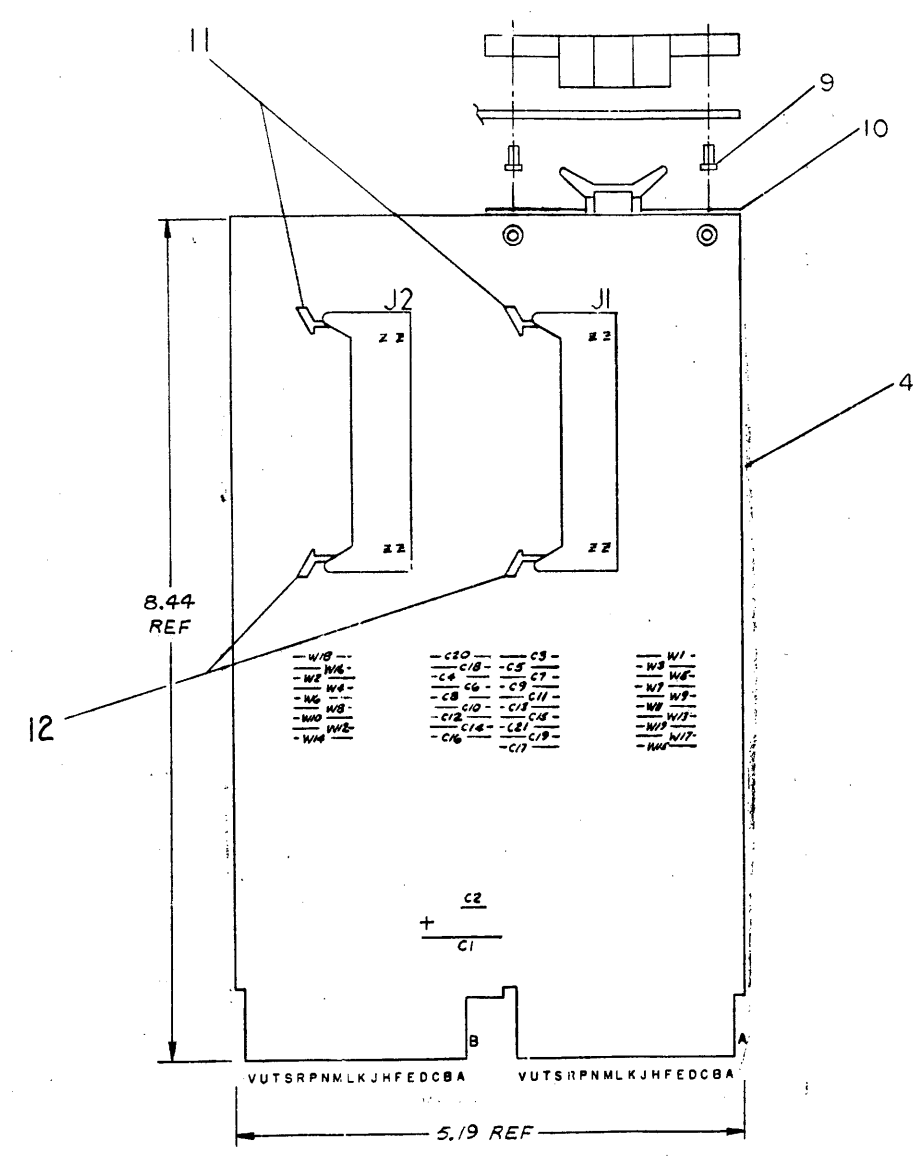
| REVISIONS | | |
|-----------|------------|------|
| CHK | CHANGE NO. | REV. |
| | | |

| | | | | | | | |
|-------|-------------------|-----------|--------|--------|-------------|------|---|
| TITLE | TU16 POWER SUPPLY | SIZE CODE | D CS | NUMBER | 5412242-0-1 | REV. | K |
| SCALE | + | SHEET | 3 OF 3 | DIST. | | | |

8 7 6 5 4 3 2 1

THIS DRAWING AND SPECIFICATIONS HEREIN ARE THE PROPERTY OF DIGITAL EQUIPMENT CORPORATION AND SHALL NOT BE REPRODUCED OR COPIED OR USED IN WHOLE OR IN PART AS THE BASIS FOR THE MANUFACTURE OR SALE OF ITEMS WITHOUT WRITTEN PERMISSION. COPYRIGHT © 1974 DIGITAL EQUIPMENT CORPORATION

NOTES:



| REF | X-Y COORDINATE HOLE LOCATION | K-CO-M9001-0-4 | |
|-----|------------------------------|----------------------------|-----------|
| REF | ASSY/DRILLING HOLE LAYOUT | D-AH-M9001-0-5 | 2 |
| REF | MODULE ECO HISTORY | B-MH-M9001-3-6 | 3 |
| 1 | ETCHED CIRCUIT BOARD | 5010465 | 4 |
| 20 | C2 THRU C21 | CAP .01UF 100V 20% AXIAL | 1001610 |
| 1 | C1 | CAP 6.8UF 35V 10% TANT | 1005306 |
| 19 | W1 THRU W19 | JUMPER, INSULATED WIRE | 9009185 |
| 2 | J1, J2 | CONN, 40 PIN | 1209941-2 |
| 4 | | EYELET | 9006732 |
| 2 | | HANDLE, FLIP-CHIP, MAGENTA | 9008377-6 |
| 2 | | LATCH, LEFT | 1209941-3 |
| 2 | | LATCH, RIGHT | 1209941-4 |

| | | |
|--|--|--|
| | | |
| | | |
| | | |
| | | |
| | | |
| | | |
| | | |
| | | |
| | | |

| IC TYPE | GND | +5V |
|---------|-----|-----|
| | | |

GND AND 5V ARE USUALLY PIN 7 AND 14 RESPECTIVELY. EXCEPTIONS ARE STATED ABOVE.

IC PIN LOCATIONS

| QTY | REF DESIGNATION | DESCRIPTION | PART NO. | ITEM NO. |
|--------------------------------|-----------------|-------------|----------|--------------|
| TU16 | | | | |
| ETCH BOARD REV C | | | | |
| PARTS LIST | | | | |
| FIRST USED ON OPTION MODEL | | | | |
| SEMICONDUCTOR CONVERSION CHART | | | | |
| DEC NO. | EIA NO. | DEC NO. | EIA NO. | SCALE |
| | | | | SHEET 1 OF 2 |

| | | | | |
|------------------|------|-------------------------------------|-----------|------|
| DRN | DATE | TITLE: GEN PURPOSE CARD (A & B) | | |
| CHKD | DATE | | | |
| ENG | DATE | | | |
| PROL | DATE | | | |
| PROD | DATE | | | |
| NEXT HIGHER ASSY | | SIZE CODE | NUMBER | REV. |
| | | DICS | M9001-0-1 | B |

8 7 6 5 4 3 2 1

8

7

6

5

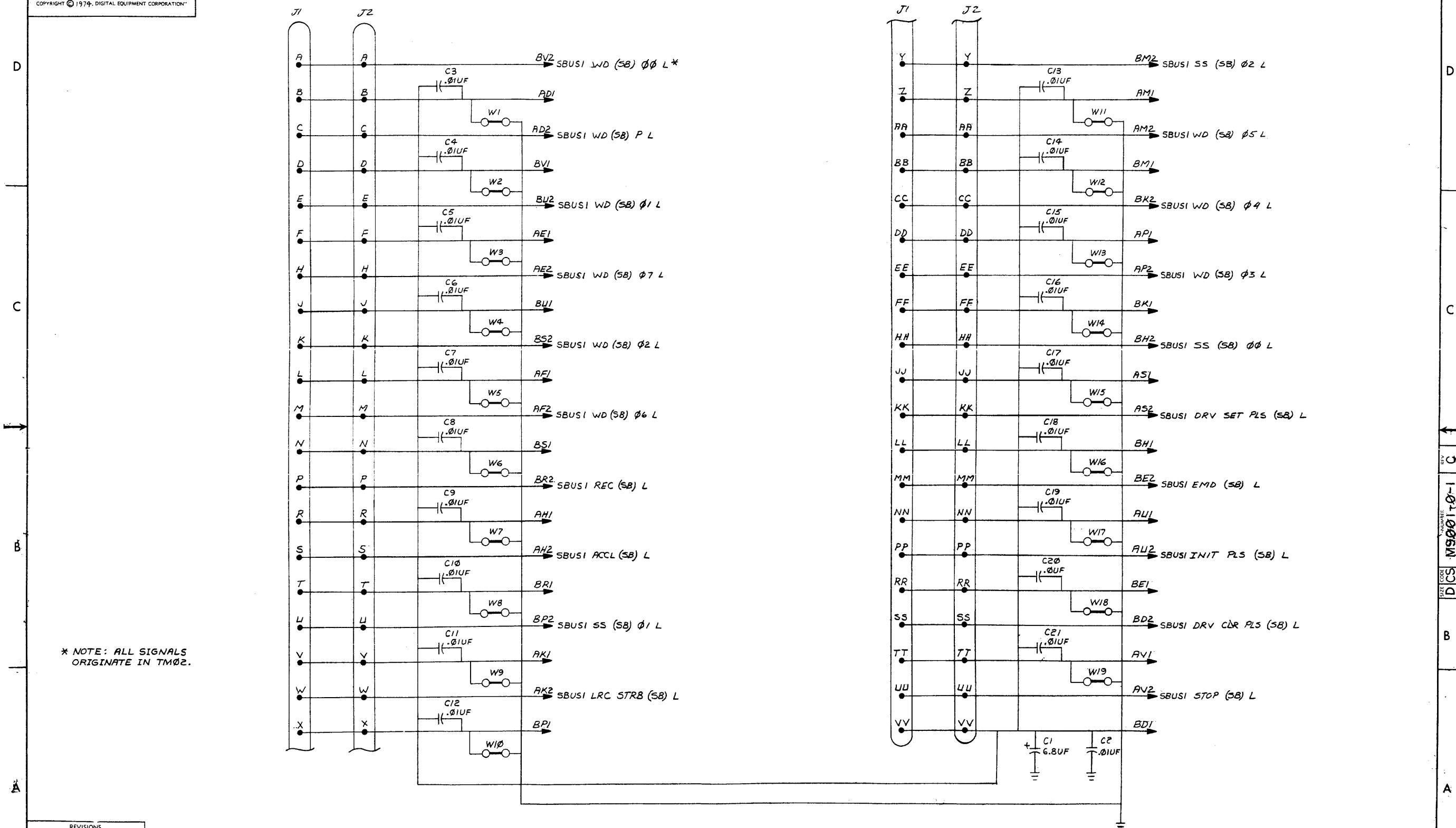
4

3

1-0-1006W SC D 2

1

"THIS DRAWING AND SPECIFICATIONS, HEREIN, ARE THE PROPERTY OF DIGITAL EQUIPMENT CORPORATION AND SHALL NOT BE REPRODUCED OR COPIED OR USED IN WHOLE OR IN PART AS THE BASIS FOR THE MANUFACTURE OR SALE OF ITEMS WITHOUT WRITTEN PERMISSION. COPYRIGHT © 1974, DIGITAL EQUIPMENT CORPORATION"



* NOTE: ALL SIGNALS ORIGINATE IN TM02.

| REVISIONS | | |
|-----------|-----------|-----|
| CHK | CHANGE NO | REV |
| | | |

TITLE GEN PURPOSE CARD (A & B) SIZE CODE NUMBER REV. 1
 DCS M9001-0-1 C

SCALE 1:1 SHEET 2 OF 2 DISY

8

7

6

5

4

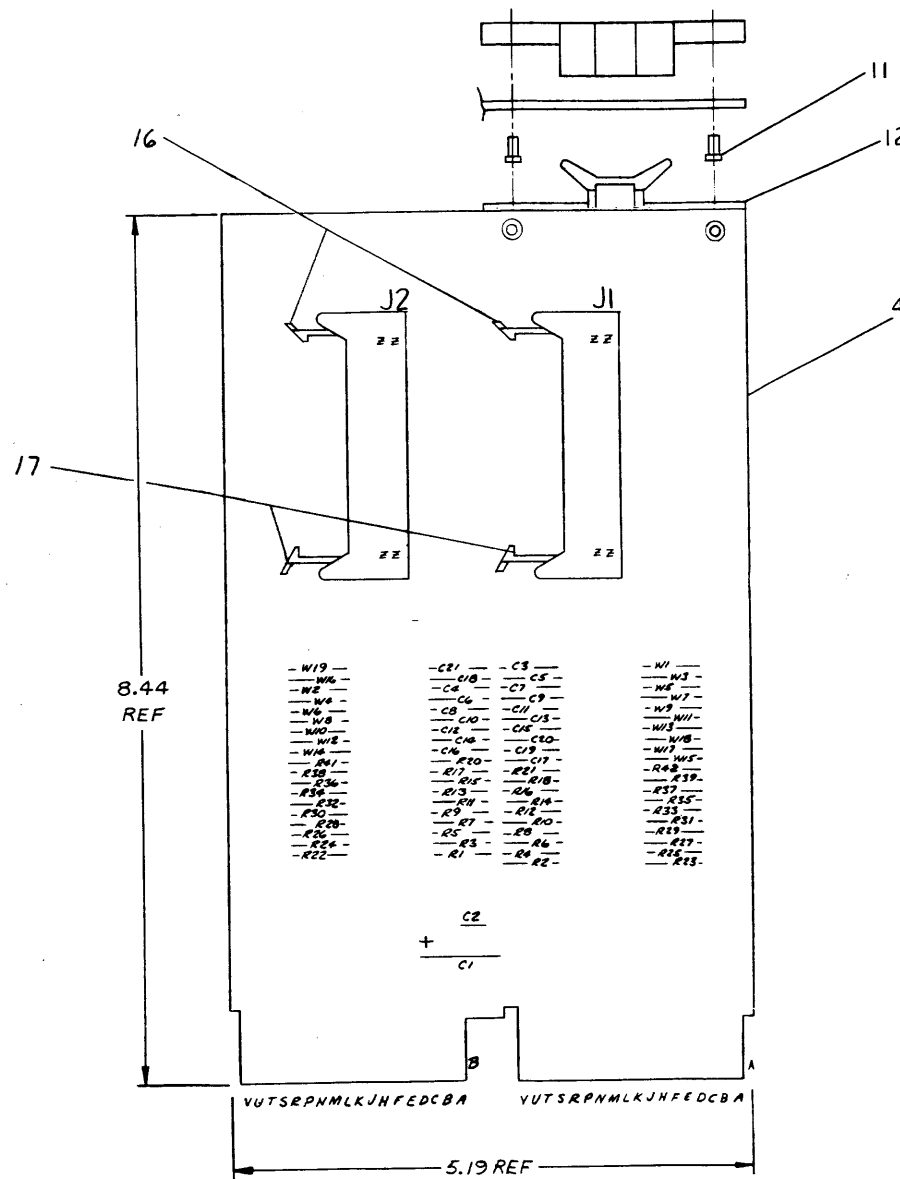
3

2

1

"THIS DRAWING AND SPECIFICATIONS HEREIN, ARE THE PROPERTY OF DIGITAL EQUIPMENT CORPORATION AND SHALL NOT BE REPRODUCED OR COPIED OR USED IN WHOLE OR IN PART AS THE BASIS FOR THE MANUFACTURE OR SALE OF ITEMS WITHOUT WRITTEN PERMISSION. COPYRIGHT © 1974, DIGITAL EQUIPMENT CORPORATION."

NOTES:



| REF | DESCRIPTION | QTY | PART NO. | ITEM NO. | |
|-----|------------------------------|-----|----------------------------|-----------|----|
| | X-Y COORDINATE HOLE LOCATION | | K-CO-M9001-0-4 | 1 | |
| | ASSY/DRILLING HOLE LAYOUT | | D-AH-M9001-YB-5 | 2 | |
| | MODULE ECO HISTORY | | B-MH-M9001-YB-6 | 3 | |
| 1 | ETCHED CIRCUIT BOARD | | 5010465 | 4 | |
| 20 | C2 THRU C21 | | CAP .01UF 100V AXIAL | 5 | |
| 1 | C1 | | CAP 6.8UF 35V 10% TANT | 6 | |
| 5 | R7, R16, R17, R18, R20 | | RES 120 1/4W 5% | 7 | |
| 11 | R28-R32, R36-R39, R41, R42 | | RES. 220 1/4W 5% | 8 | |
| 19 | W1 THRU W19 | | JUMPER, INSULATED WIRE | 9 | |
| 2 | J1, J2 | | CONN, 40 PIN | 10 | |
| 4 | | | EYELET | 9006732 | 11 |
| 2 | | | HANDLE, FLIP-CHIP, MAGENTA | 9008337-6 | 12 |
| 6 | R8-R11, R15, R21 | | RES. 150, 1/4 w, 5% | 1300250 | 13 |
| 9 | R1-R6, R12-R14 | | RES. 390, 1/4 w 5% | 1300309 | 14 |
| 9 | R22-R27, R33-R35 | | RES. 620, 1/4 w 5% | 1303178 | 15 |
| 2 | | | CONNECTOR LATCH, LEFT | 1209941-3 | 16 |
| 2 | | | CONNECTOR LATCH, RIGHT | 1209941-4 | 17 |

| QTY | REF DESIGNATION | DESCRIPTION | PART NO. | ITEM NO. |
|-----|-----------------|------------------|----------|----------|
| | TU16 | ETCH BOARD REV C | | |

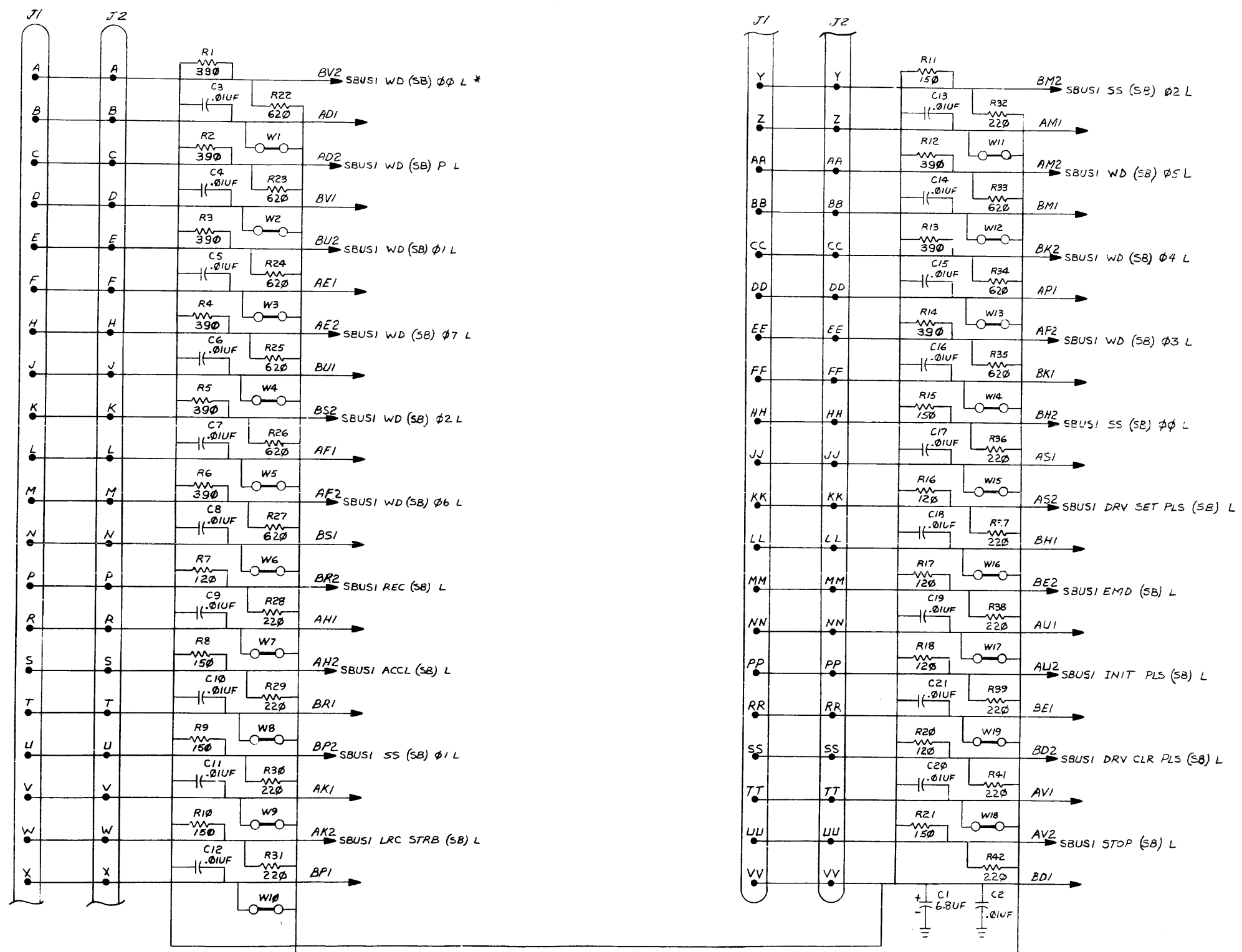
| IC TYPE | GND | +5V |
|---------|-----|-----|
| | | |
| | | |
| | | |
| | | |
| | | |
| | | |
| | | |
| | | |
| | | |
| | | |

GND AND 5V ARE USUALLY PIN 7 AND 14 RESPECTIVELY. EXCEPTIONS ARE STATED ABOVE.

digital EQUIPMENT CORPORATION
 HARTFORD, MASSACHUSETTS
 TITLE: GEN PURPOSE CARD (A & B)
 SIZE CODE: DCS M9001-YB-1
 NUMBER: C
 SHEET 1 OF 2

"THIS DRAWING AND SPECIFICATIONS HEREIN ARE THE PROPERTY OF DIGITAL EQUIPMENT CORPORATION AND SHALL NOT BE REPRODUCED OR COPIED OR USED IN WHOLE OR IN PART AS THE BASIS FOR THE MANUFACTURE OR SALE OF ITEMS WITHOUT WRITTEN PERMISSION. COPYRIGHT © 1974, DIGITAL EQUIPMENT CORPORATION"

1-81-1006M SCS D 2



* NOTE: ALL SIGNALS ORIGINATE IN TM02

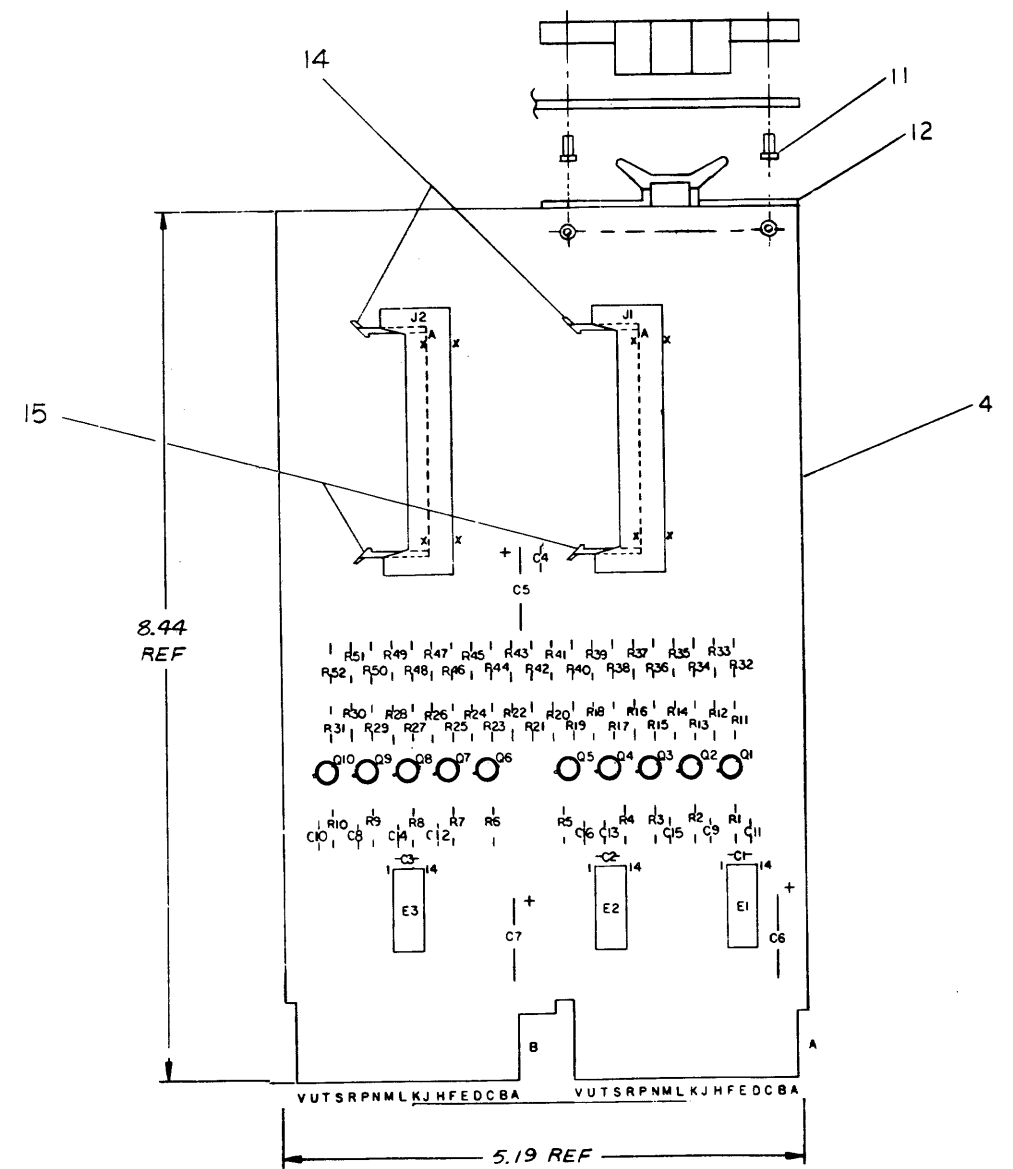
| REVISIONS | | |
|-----------|-----------|-----|
| CHK | CHANGE NO | REV |
| | | |

| | | | | |
|--------------------------------|--------------|---------------|-------------------|--------|
| TITLE GEN PURPOSE CARD (A & B) | | SIZE CODE DCS | NUMBER M9001-YB-1 | REV. C |
| SCALE | SHEET 2 OF 2 | DIST. | | |

THIS DRAWING AND SPECIFICATIONS HEREIN ARE THE PROPERTY OF DIGITAL EQUIPMENT CORPORATION AND SHALL NOT BE REPRODUCED OR COPIED OR USED IN WHOLE OR IN PART AS THE BASIS FOR THE MANUFACTURE OR SALE OF ITEMS WITHOUT WRITTEN PERMISSION. COPYRIGHT © 1974. DIGITAL EQUIPMENT CORPORATION.

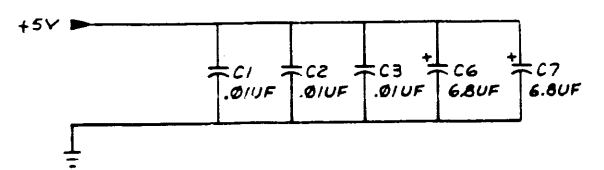
NOTES:

| | | | | |
|-----|------------------------------|---------------------------|------------|----|
| REF | X-Y COORDINATE HOLE LOCATION | K-CO-M8913-0-4 | 1 | |
| REF | ASSY/DRILLING HOLE LAYOUT | D-AH-M8913-0-5 | 2 | |
| REF | MODULE ECO HISTORY | B-MH-M8913-0-6 | 3 | |
| 1 | ETCHED CIRCUIT BOARD | 5010980 | 4 | |
| 2 | J1, J2 | CONN 40 PIN | 1209941-2 | 5 |
| 4 | C1 THRU C4 | CAP .01UF 100V 20% DISK | 1001610-01 | 6 |
| 3 | C5, C6, C7 | CAP 6.8UF 35V 10% TANT | 1005306 | 7 |
| 3 | E1, E2, E3 | IC 7402 | 1909004 | 8 |
| 10 | Q1 THRU Q10 | TRANSISTOR 3009B | 1503100 | 9 |
| 10 | R1 THRU R10 | RES 270 1/4W 5% | 1301972 | 10 |
| 4 | | EYELET | 9006732 | 11 |
| 2 | | HANDLE FLIP-CHIP, MAGENTA | 9008337-6 | 12 |
| 9 | C8 THRU C16 | CAP 100PF 100V 5% DM | 1000016 | 13 |
| 2 | | CONNECTOR LATCH, LEFT | 1209941-3 | 14 |
| 2 | | CONNECTOR LATCH, RIGHT | 1209941-4 | 15 |



| | | | | |
|----------------------------|-----------------|--------------|----------|----------|
| QTY | REF DESIGNATION | DESCRIPTION | PART NO. | ITEM NO. |
| | | | | |
| FIRST USED ON OPTION MODEL | | | | |
| TU16 | | | | |
| PARTS LIST | | | | |
| ETCH BOARD REV B | | | | |
| DRG | | DATE | | |
| CHKD | | DATE | | |
| ENGR | | DATE | | |
| PRG | | DATE | | |
| PRD | | DATE | | |
| NEXT HIGHER ASSY | | | | |
| TITLE | | | | |
| DATA DRIVER (SLOT C/P) | | | | |
| DEC NO. | | EIA NO. | | REV. D |
| DEC NO. | | EIA NO. | | |
| SCALE | | | | |
| SHEET 1 OF 2 | | | | |
| DISTRIBUTION | | DISTRIBUTION | | |
| DISTRIBUTION | | | | |

| IC TYPE | GND | +5V |
|---|-----|-----|
| | | |
| | | |
| | | |
| | | |
| GND AND +5V ARE USUALLY PIN 7 AND 14 RESPECTIVELY. EXCEPTIONS ARE STATED ABOVE. | | |
| IC PIN LOCATIONS | | |



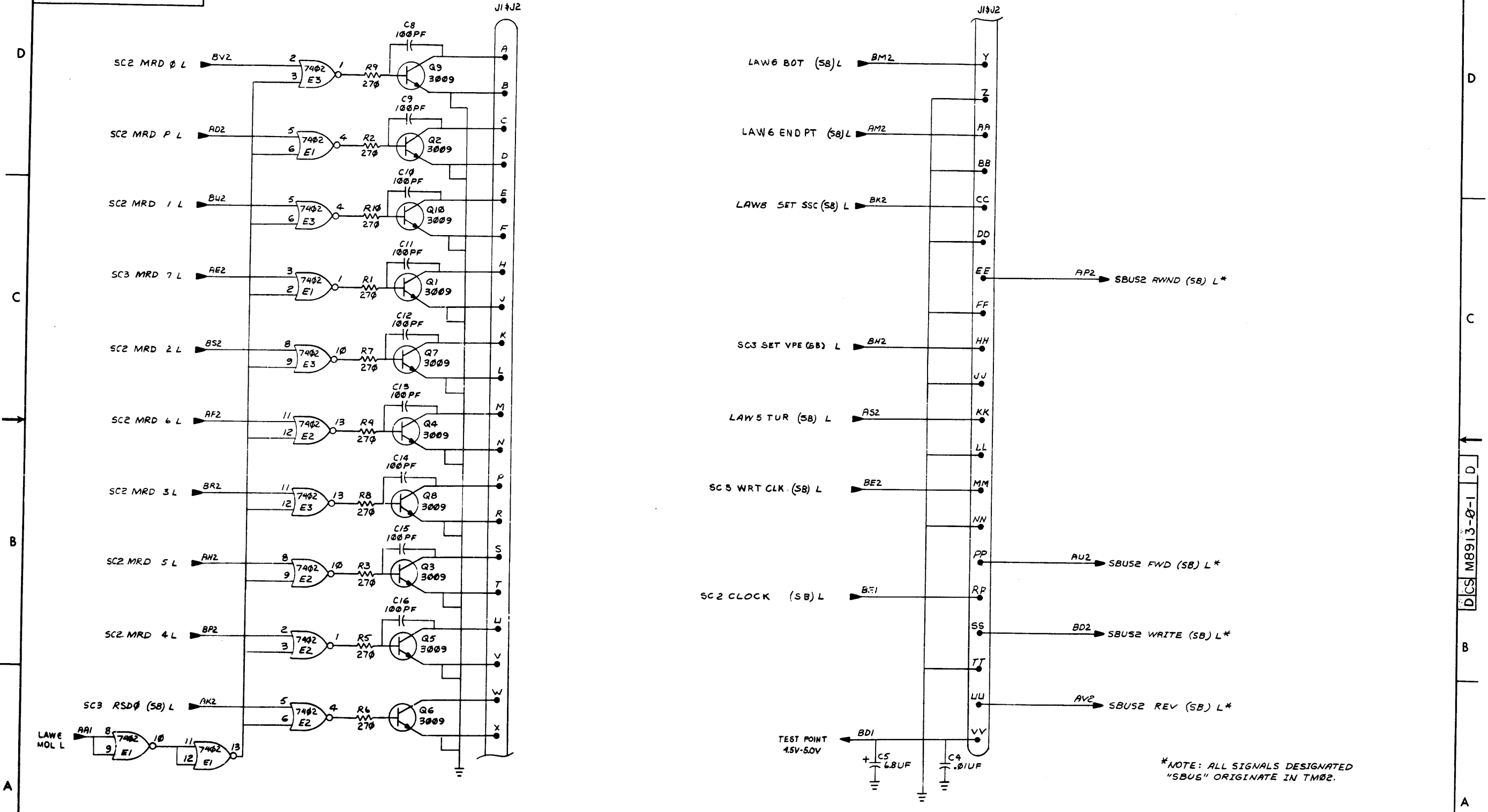
| | | |
|---------|---------|---------|
| 4-22-75 | H. DRAB | 5-21-75 |
| 3-15-76 | H. DRAB | 5-21-75 |
| 4-1-76 | H. DRAB | 5-21-75 |
| 4-1-76 | H. DRAB | 5-21-75 |
| 4-1-76 | H. DRAB | 5-21-75 |
| 4-1-76 | H. DRAB | 5-21-75 |
| 4-1-76 | H. DRAB | 5-21-75 |
| 4-1-76 | H. DRAB | 5-21-75 |
| 4-1-76 | H. DRAB | 5-21-75 |
| 4-1-76 | H. DRAB | 5-21-75 |
| 4-1-76 | H. DRAB | 5-21-75 |
| 4-1-76 | H. DRAB | 5-21-75 |
| 4-1-76 | H. DRAB | 5-21-75 |
| 4-1-76 | H. DRAB | 5-21-75 |
| 4-1-76 | H. DRAB | 5-21-75 |
| 4-1-76 | H. DRAB | 5-21-75 |
| 4-1-76 | H. DRAB | 5-21-75 |
| 4-1-76 | H. DRAB | 5-21-75 |
| 4-1-76 | H. DRAB | 5-21-75 |
| 4-1-76 | H. DRAB | 5-21-75 |
| 4-1-76 | H. DRAB | 5-21-75 |
| 4-1-76 | H. DRAB | 5-21-75 |
| 4-1-76 | H. DRAB | 5-21-75 |
| 4-1-76 | H. DRAB | 5-21-75 |
| 4-1-76 | H. DRAB | 5-21-75 |
| 4-1-76 | H. DRAB | 5-21-75 |
| 4-1-76 | H. DRAB | 5-21-75 |
| 4-1-76 | H. DRAB | 5-21-75 |

| REV | DATE | BY | DESCRIPTION |
|-----|---------|---------|-------------------------|
| 1 | 3/1/74 | J. HESB | INITIAL DESIGN |
| 2 | 3/6/74 | J. HESB | REVISED FOR MANUFACTURE |
| 3 | 3/20/74 | J. HESB | REVISED FOR MANUFACTURE |
| 4 | 5/3/77 | J. HESB | REVISED FOR MANUFACTURE |
| 5 | 1/29/78 | J. HESB | REVISED FOR MANUFACTURE |
| 6 | 2/19/78 | J. HESB | REVISED FOR MANUFACTURE |
| 7 | 2/19/78 | J. HESB | REVISED FOR MANUFACTURE |
| 8 | 2/19/78 | J. HESB | REVISED FOR MANUFACTURE |
| 9 | 2/19/78 | J. HESB | REVISED FOR MANUFACTURE |
| 10 | 2/19/78 | J. HESB | REVISED FOR MANUFACTURE |

| DEC NO. | EIA NO. | DEC NO. | EIA NO. |
|---------|---------|---------|---------|
| | | | |
| | | | |

SEMICONDUCTOR CONVERSION CHART

"THIS DRAWING AND SPECIFICATIONS, HEREIN, ARE THE PROPERTY OF DIGITAL EQUIPMENT CORPORATION AND SHALL NOT BE REPRODUCED OR COPIED OR USED IN WHOLE OR IN PART AS THE BASIS FOR THE MANUFACTURE OR SALE OF ITEMS WITHOUT WRITTEN PERMISSION OF DIGITAL EQUIPMENT CORPORATION"



*NOTE: ALL SIGNALS DESIGNATED "SBUS" ORIGINATE IN TM02.

| REVISIONS | | |
|-----------|-----------|-----|
| CHK | CHANGE NO | REV |
| | | |

| | | | | | | | |
|-------|------------------------------|-----------|------|--------|-----------|-------|---|
| TITLE | SBUS2 DATA DRIVER (SLOT C/P) | SIZE CODE | D CS | NUMBER | M8913-0-1 | REV. | D |
| SCALE | + | SHEET | 2 | OF | 2 | DIST. | |

8 7 6 5 4 3

CS M8913-YA-1 2

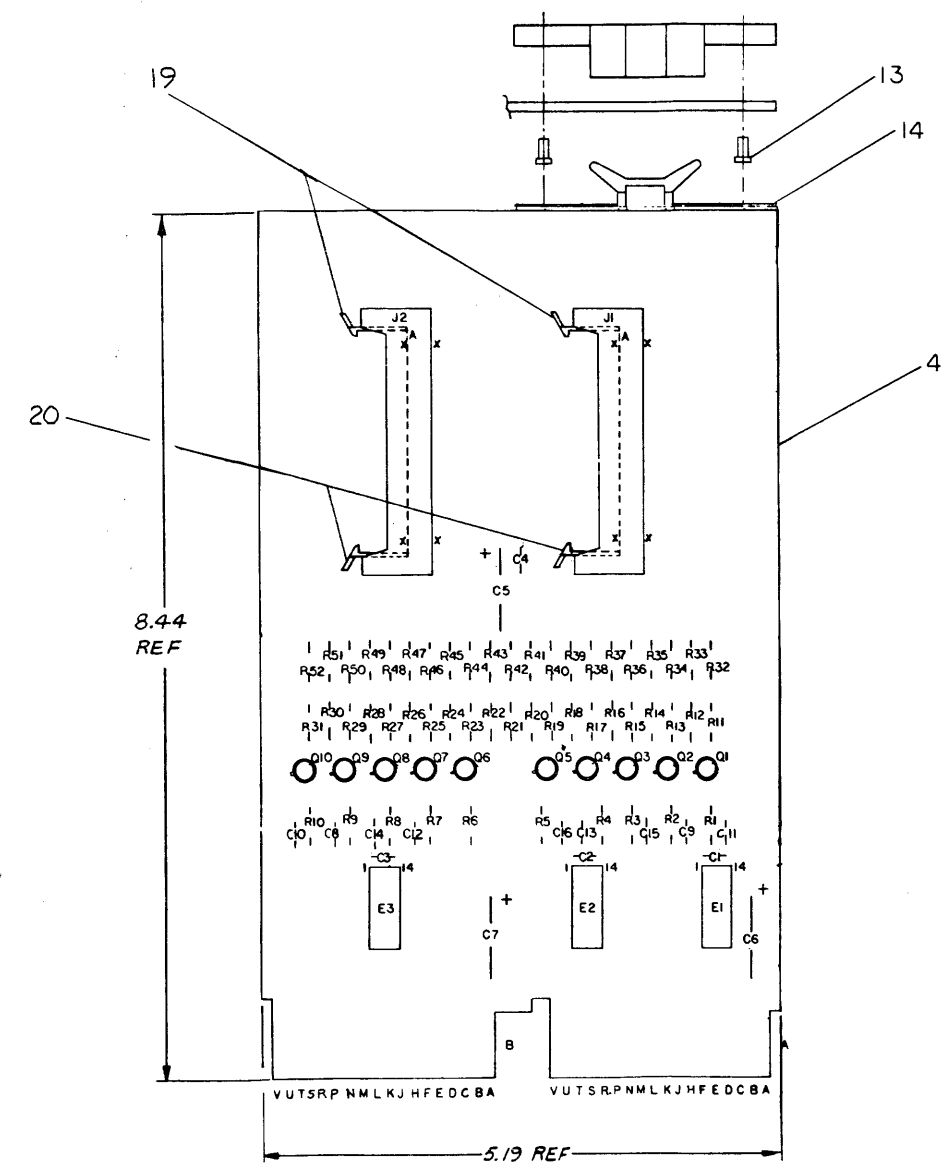
"THIS DRAWING AND SPECIFICATIONS HEREIN ARE THE PROPERTY OF DIGITAL EQUIPMENT CORPORATION AND SHALL NOT BE REPRODUCED OR COPIED OR USED IN WHOLE OR IN PART AS THE BASIS FOR THE MANUFACTURE OR SALE OF ITEMS WITHOUT WRITTEN PERMISSION. COPYRIGHT © 1974, DIGITAL EQUIPMENT CORPORATION."

NOTES:

| REF | X-Y COORDINATE HOLE LOCATION | K-CO-M8913-0-4 | 1 |
|-----|---|-------------------------|------------|
| REF | ASSY/DRILLING HOLE LAYOUT | D-AH-M8913-YA-5 | 2 |
| REF | MODULE ECO HISTORY | B-MH-M8913-YA-6 | 3 |
| 1 | ETCHED CIRCUIT BOARD | 5010980 | 4 |
| 2 | CONN 40 PIN | 1209941-02 | 5 |
| 4 | C1 THRU C4 | CAP .01UF 100V 20% DISC | 1001610-01 |
| 3 | C5, C6, C7 | CAP 6.8UF 35V 10% TANT | 1005306 |
| 3 | E1, E2, E3 | IC 7402 | 1909004 |
| 10 | Q1 THRU Q10 | TRANSISTOR 3009B | 1503100 |
| 9 | C8 THRU C16 | CAP 100PF 100V 5% DM | 1000016 |
| 21 | R32 THRU R52 | RES 220 1/4W 5% | 1300271 |
| 10 | R1 THRU R10 | RES 270 1/4W 5% | 1301972 |
| 4 | EYELET | 9006732 | 13 |
| 2 | HANDLE, FLIP-CHIP, MAGENTA | 9008337-6 | 14 |
| 11 | R12, R14, R16, R18, R20, R21, R22, R24, R26, R28, R30 | RES 150 1/4W 5% | 1300250 |
| 10 | R11, R13, R15, R17, R19, R23, R25, R27, R29, R31 | RES 120 1/4W 5% | 1300247 |
| | | | 17 |
| | | | 18 |
| 2 | CONNECTOR LATCH, LEFT | 1209941-3 | 19 |
| 2 | CONNECTOR LATCH, RIGHT | 1209941-4 | 20 |

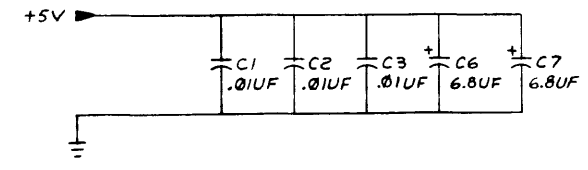
D
C
B
A

D
C
B
A



| | | |
|--|--|--|
| | | |
| | | |
| | | |
| | | |
| | | |
| | | |
| | | |
| | | |
| | | |
| | | |

| IC TYPE | GND | +5V |
|--|-----|-----|
| GND AND 5V ARE USUALLY PIN 7 AND 14 RESPECTIVELY. EXCEPTIONS ARE STATED ABOVE. | | |
| IC PIN LOCATIONS | | |



FIRST USED ON OPTION MODEL

TUI6

| DRN | DATE |
|--------------------|---------|
| <i>[Signature]</i> | 3/11/74 |
| CHKD | DATE |
| <i>[Signature]</i> | 3/16/74 |
| ENG | DATE |
| <i>[Signature]</i> | 3/16/74 |
| PROJ | DATE |
| <i>[Signature]</i> | 12/1/73 |

REVISIONS

| NO | DATE | REV |
|----|------|-----|
| 1 | | A |
| 2 | | B |

| QTY | REF DESIGNATION | DESCRIPTION | PART NO. | ITEM NO. |
|-----|-----------------|-------------|----------|----------|
| | ETCH BOARD REV | B | | |

| | | | |
|-------------------------------------|--|--------------------|--|
| TITLE DATA DRIVER SBUS 2 (SLOT G/P) | | PART NO. 1209941-4 | |
| SCALE 1 OF 2 | | REV. C | |

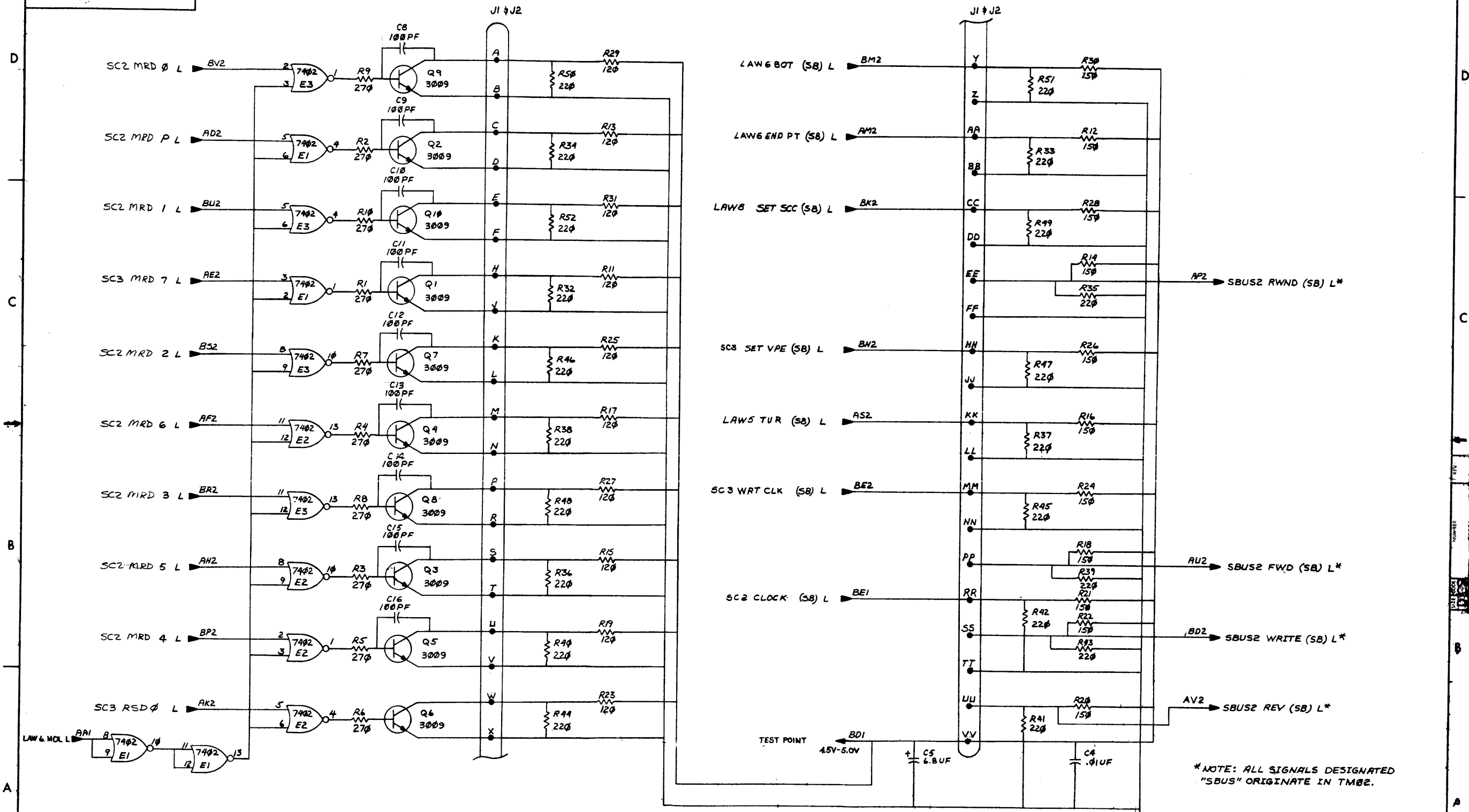
DIG FORM NO. 010 131 B

SIZE CODE DCS M8913-YA-1

DIST.

THIS DRAWING AND SPECIFICATIONS HEREIN ARE THE PROPERTY OF DIGITAL EQUIPMENT CORPORATION AND SHALL NOT BE REPRODUCED OR COPIED OR USED IN WHOLE OR IN PART AS THE BASIS FOR THE MANUFACTURE OR SALE OF ITEMS WITHOUT WRITTEN PERMISSION. COPYRIGHT © 1974, DIGITAL EQUIPMENT CORPORATION.

1-VA-1180W 310 2

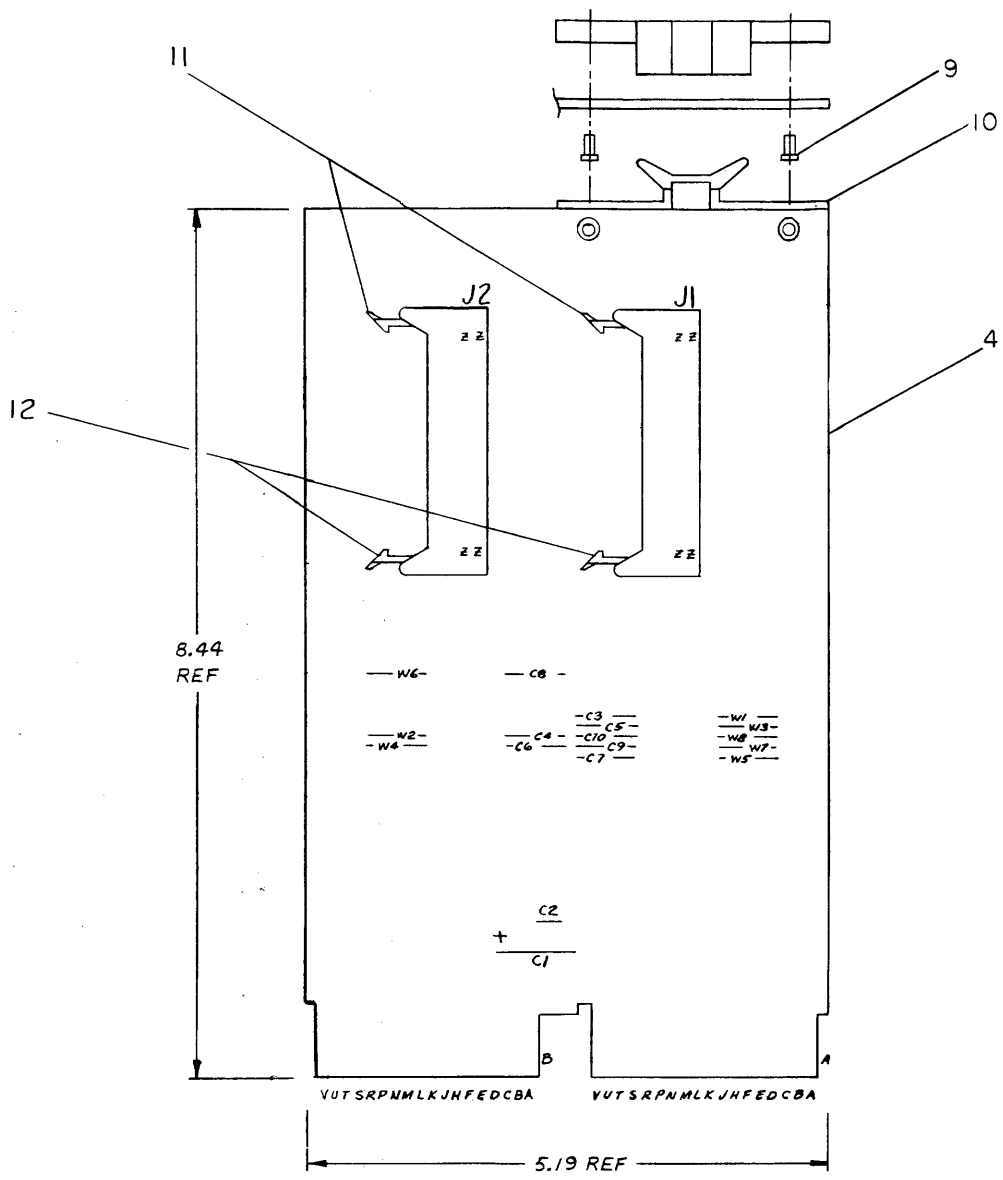


| REVISIONS | | |
|-----------|-----------|------|
| CHK | CHANGE NO | REV. |
| | | |

TITLE DATA DRIVER SBUS 2 (SLOT C/P) SIZE CODE DCS NUMBER M8913-YA-1 REV. C
 SCALE 1:1 SHEET 2 OF 2 DIST.

"THIS DRAWING AND SPECIFICATIONS, HEREIN, ARE THE PROPERTY OF DIGITAL EQUIPMENT CORPORATION AND SHALL NOT BE REPRODUCED OR COPIED OR USED IN WHOLE OR IN PART AS THE BASIS FOR THE MANUFACTURE OR SALE OF ITEMS WITHOUT WRITTEN PERMISSION. COPYRIGHT © 1974, DIGITAL EQUIPMENT CORPORATION"

NOTES:



| | | | |
|-----|------------------------------|----------------------------|-----------|
| REF | X-Y COORDINATE HOLE LOCATION | K-CO-M9001-0-4 | 1 |
| REF | ASSY/DRILLING HOLE LAYOUT | D-AH-M9001-YA-5 | 2 |
| REF | MODULE ECO HISTORY | B-MH-M9001-YA-6 | 3 |
| 1 | ETCHED CIRCUIT BOARD | 5010465 | 4 |
| 9 | C2 THRU C10 | CAP .01UF 100V 20% AXIAL | 1001610 |
| 1 | C1 | CAP 6.8UF 35V 10% TANT | 1005306 |
| 8 | W1 THRU W8 | JUMPER, INSULATED WIRE | 9009185 |
| 2 | J1, J2 | CONN, 40 PIN | 1209941-2 |
| 4 | | EYELET | 9006792 |
| 2 | | HANDLE, FLIP-CHIP, MAGENTA | 9008337-6 |
| 2 | | CONNECTOR LATCH, LEFT | 1209941-3 |
| 2 | | CONNECTOR LATCH, RIGHT | 1209941-4 |

SIZE CODE: DCS M9001-YA-1 C

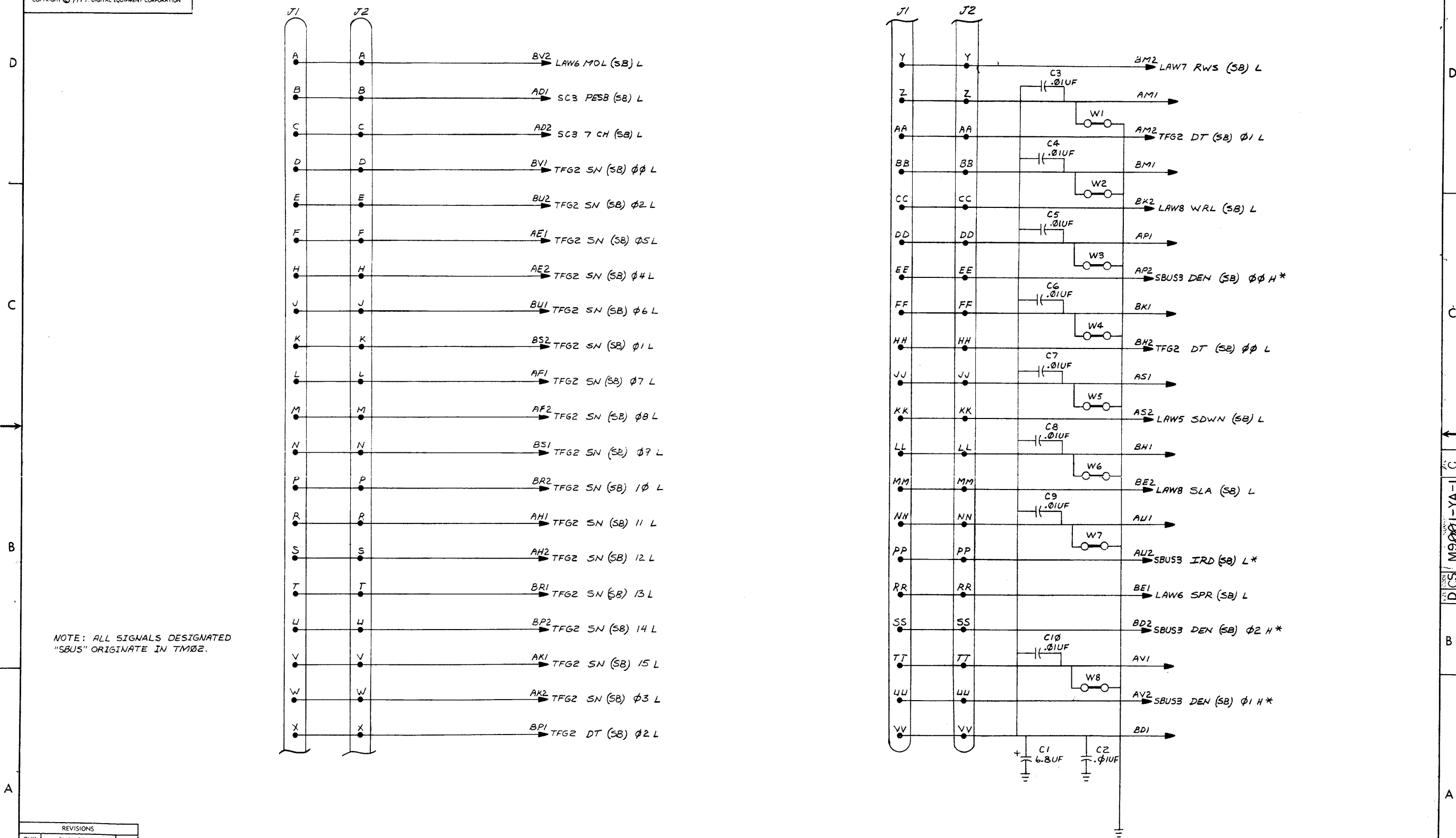
| | | | |
|--|--|--|--|
| | | | |
| | | | |
| | | | |
| | | | |
| | | | |
| | | | |
| | | | |
| | | | |
| | | | |
| | | | |

| | | |
|--|-----|-----|
| IC TYPE | GND | +5V |
| GND AND 5V ARE USUALLY PIN 7 AND 14 RESPECTIVELY. EXCEPTIONS ARE STATED ABOVE. | | |

IC PIN LOCATIONS

| | | | | | | | | | | | | |
|---|-----------------|-------------|-------------------|-----|------|--|------|------|-----|------|-----|------|
| FIRST USED ON OPTION MODEL | | TU16 | | | | | | | | | | |
| ETCH BOARD REV | | C | | | | | | | | | | |
| PARTS LIST | | | | | | | | | | | | |
| QTY | REF DESIGNATION | DESCRIPTION | PART NO. ITEM NO. | | | | | | | | | |
| | | | | | | | | | | | | |
| <table border="1"> <tr> <td>DRN</td> <td>DATE</td> <td rowspan="4"> </td> </tr> <tr> <td>CHKD</td> <td>DATE</td> </tr> <tr> <td>ENG</td> <td>DATE</td> </tr> <tr> <td>PRD</td> <td>DATE</td> </tr> </table> | | | | DRN | DATE | | CHKD | DATE | ENG | DATE | PRD | DATE |
| DRN | DATE | | | | | | | | | | | |
| CHKD | DATE | | | | | | | | | | | |
| ENG | DATE | | | | | | | | | | | |
| PRD | DATE | | | | | | | | | | | |
| TITLE | | | | | | | | | | | | |
| GEN PURPOSE CARD (E & F) | | | | | | | | | | | | |
| NEXT HIGHER ASSY | | SCALE | | | | | | | | | | |
| | | SHEET | 1 OF 2 | | | | | | | | | |
| DEC NO. | EIA NO. | DEC NO. | EIA NO. | | | | | | | | | |
| SEMICONDUCTOR CONVERSION CHART | | | | | | | | | | | | |
| SIZE CODE | | NUMBER | REV. | | | | | | | | | |
| DCS M9001-YA-1 | | C | | | | | | | | | | |

"THIS DRAWING AND SPECIFICATIONS, HEREIN, ARE THE PROPERTY OF DIGITAL EQUIPMENT CORPORATION AND SHALL NOT BE REPRODUCED OR COPIED OR USED IN WHOLE OR IN PART AS THE BASIS FOR THE MANUFACTURE OR SALE OF ITEMS WITHOUT WRITTEN PERMISSION. COPYRIGHT © 1974, DIGITAL EQUIPMENT CORPORATION"

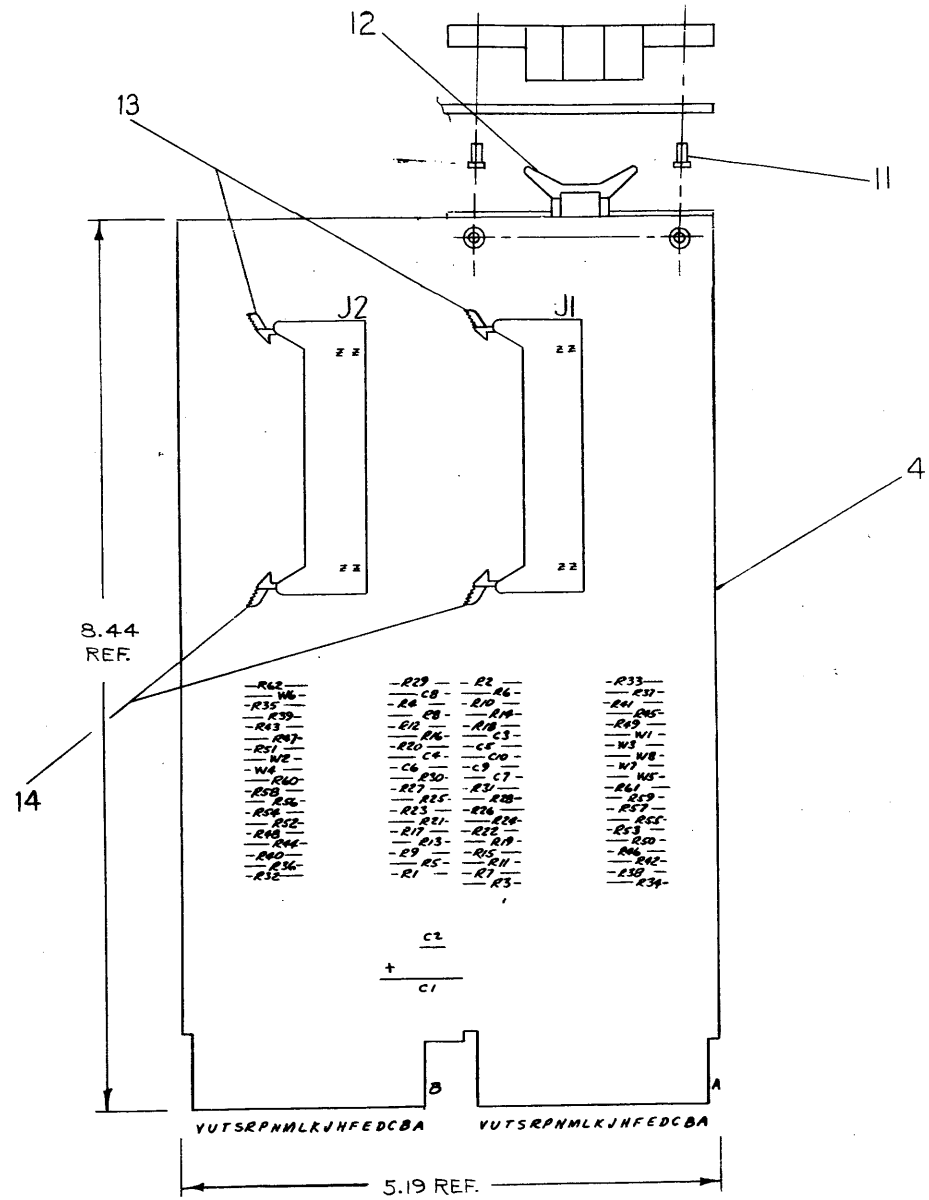


NOTE: ALL SIGNALS DESIGNATED "SBUS" ORIGINATE IN TM02.

| REVISIONS | | |
|-----------|-----------|-----|
| CHK | CHANGE NO | REV |
| | | |

"THIS DRAWING AND SPECIFICATIONS HEREIN ARE THE PROPERTY OF DIGITAL EQUIPMENT CORPORATION AND SHALL NOT BE REPRODUCED OR COPIED OR USED IN WHOLE OR IN PART AS THE BASIS FOR THE MANUFACTURE OR SALE OF ITEMS WITHOUT WRITTEN PERMISSION. COPYRIGHT © 1974, DIGITAL EQUIPMENT CORPORATION"

NOTES:



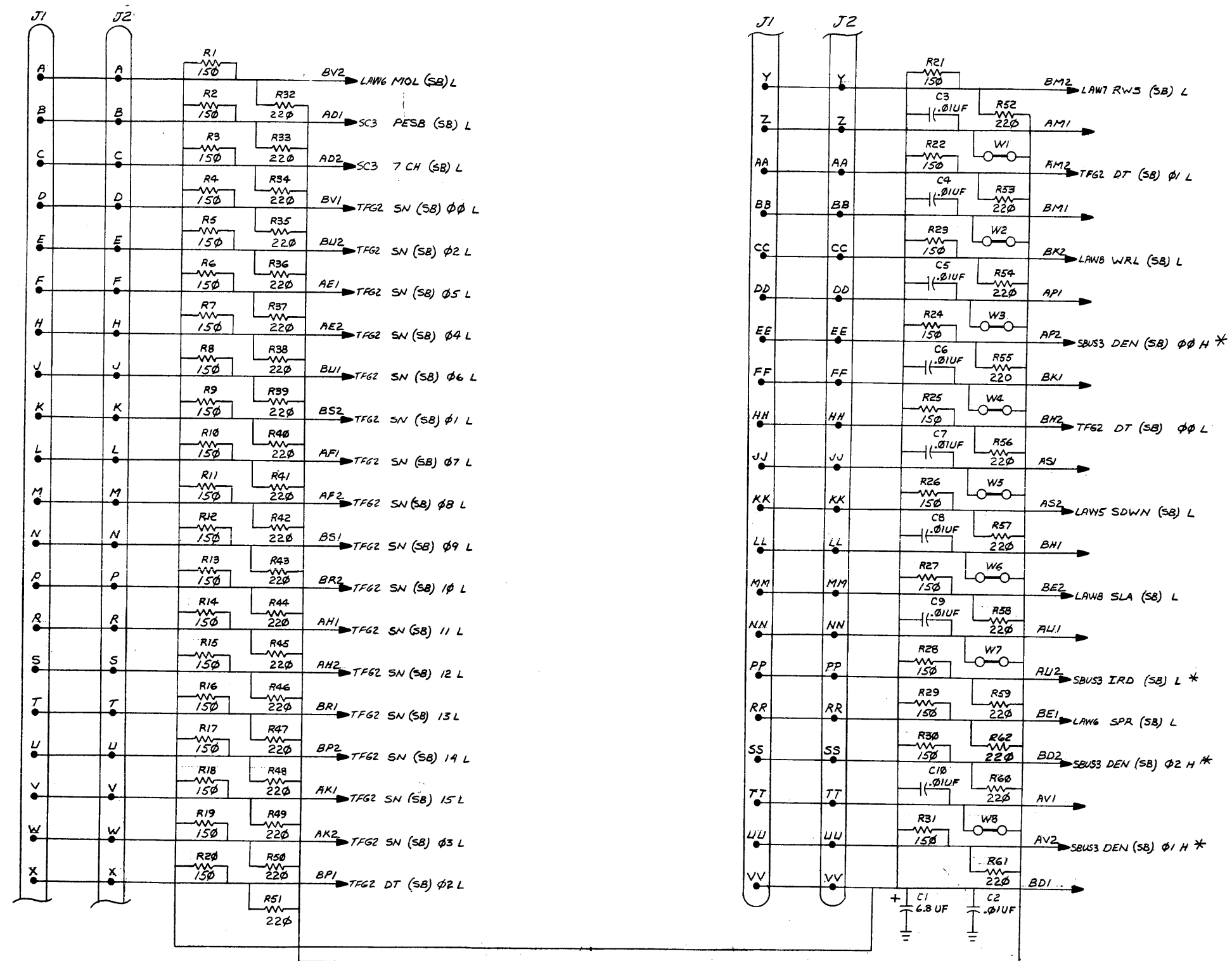
| | | | | |
|-----|------------------------------|--------------------------------|-----------|----|
| REF | X-Y COORDINATE HOLE LOCATION | KCO-M9001-0-4 | 1 | |
| REF | ASSY/DRILLING HOLE LAYOUT | DAH-M9001-YC-5 | 2 | |
| REF | MODULE ECO HISTORY | B-MH-M9001-YC-6 | 3 | |
| 1 | ETCHED CIRCUIT BOARD | 5010465 | 4 | |
| 9 | C2 THRU C10 | CAP .01μF, 100V AXIAL | 1001610 | 5 |
| 1 | C1 | CAP 6.8μF, 35V, 10% TANT | 1005306 | 6 |
| 31 | R1 THRU R31 | RESISTOR 150Ω 1/4W 5% CC | 1300250 | 7 |
| 31 | R32 THRU R62 | RESISTOR 220Ω 1/4W 5% CC | 1300271 | 8 |
| 8 | W1 THRU W8 | JUMPER, INSULATED WIRE | 9009185 | 9 |
| 2 | J1, J2 | CONN. 40 PIN, RT. ANGLE HEADER | 1209941-2 | 10 |
| 4 | | EYELET | 9006732 | 11 |
| 2 | | HANDLE, FLIP-CHIP, MAGENTA | 9008337-6 | 12 |
| 2 | | LATCH, CONNECTOR LEFT | 1209941-3 | 13 |
| 2 | | LATCH, CONNECTOR RIGHT | 1209941-4 | 14 |

| | | | | |
|-------------------------------------|-----------------|-------------|---------|---------|
| QTY | REF DESIGNATION | DESCRIPTION | PART NO | ITEM NO |
| FIRST USED ON OPTION MODEL | | | | |
| TU16 | | | | |
| ETCH BOARD REV C | | | | |
| PARTS LIST | | | | |
| DRN: [Signature] DATE: 3-9-74 | | | | |
| CHKD: [Signature] DATE: 3/5/74 | | | | |
| ENG: [Signature] DATE: 2-6-74 | | | | |
| PROJ. ENG: [Signature] DATE: 2-6-74 | | | | |
| PROD: [Signature] DATE: [] | | | | |
| NEXT HIGHER ASSY | | | | |
| TITLE: GEN PURPOSE CARD (E+F) | | | | |
| SIZE/CODE: DCS M9001-YC-1 | | | | |
| NUMBER: C | | | | |
| SCALE: SHEET 1 OF 2 | | | | |
| SEMICONDUCTOR CONVERSION CHART | | | | |
| DEC NO. EIA NO. DEC NO. EIA NO. | | | | |

| | | |
|--|-----|-----|
| IC TYPE | GND | +5V |
| GND AND 5V ARE USUALLY PIN 7 AND 14 RESPECTIVELY. EXCEPTIONS ARE STATED ABOVE. | | |
| IC PIN LOCATIONS | | |

"THIS DRAWING AND SPECIFICATIONS HEREIN ARE THE PROPERTY OF DIGITAL EQUIPMENT CORPORATION AND SHALL NOT BE REPRODUCED OR COPIED OR USED IN WHOLE OR IN PART AS THE BASIS FOR THE MANUFACTURE OR SALE OF ITEMS WITHOUT WRITTEN PERMISSION. COPYRIGHT © 1970, DIGITAL EQUIPMENT CORPORATION"

DCS M9001-YC-1 2

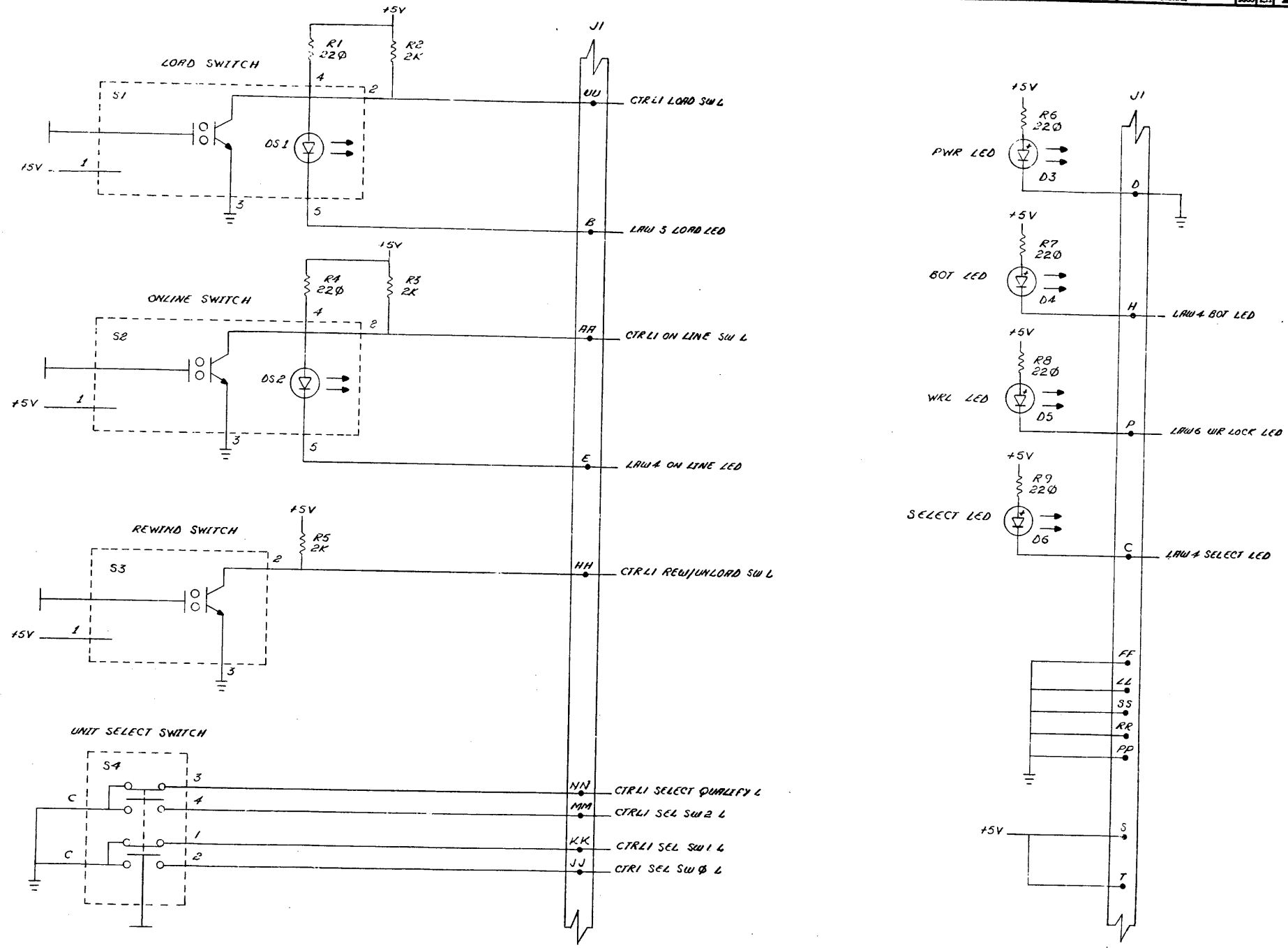


* NOTE: ALL SIGNALS DESIGNATED "SBUS" ORIGINATE IN TM02.

| REVISIONS | | |
|-----------|------------|------|
| CHK | CHANGE NO. | REV. |
| | | |

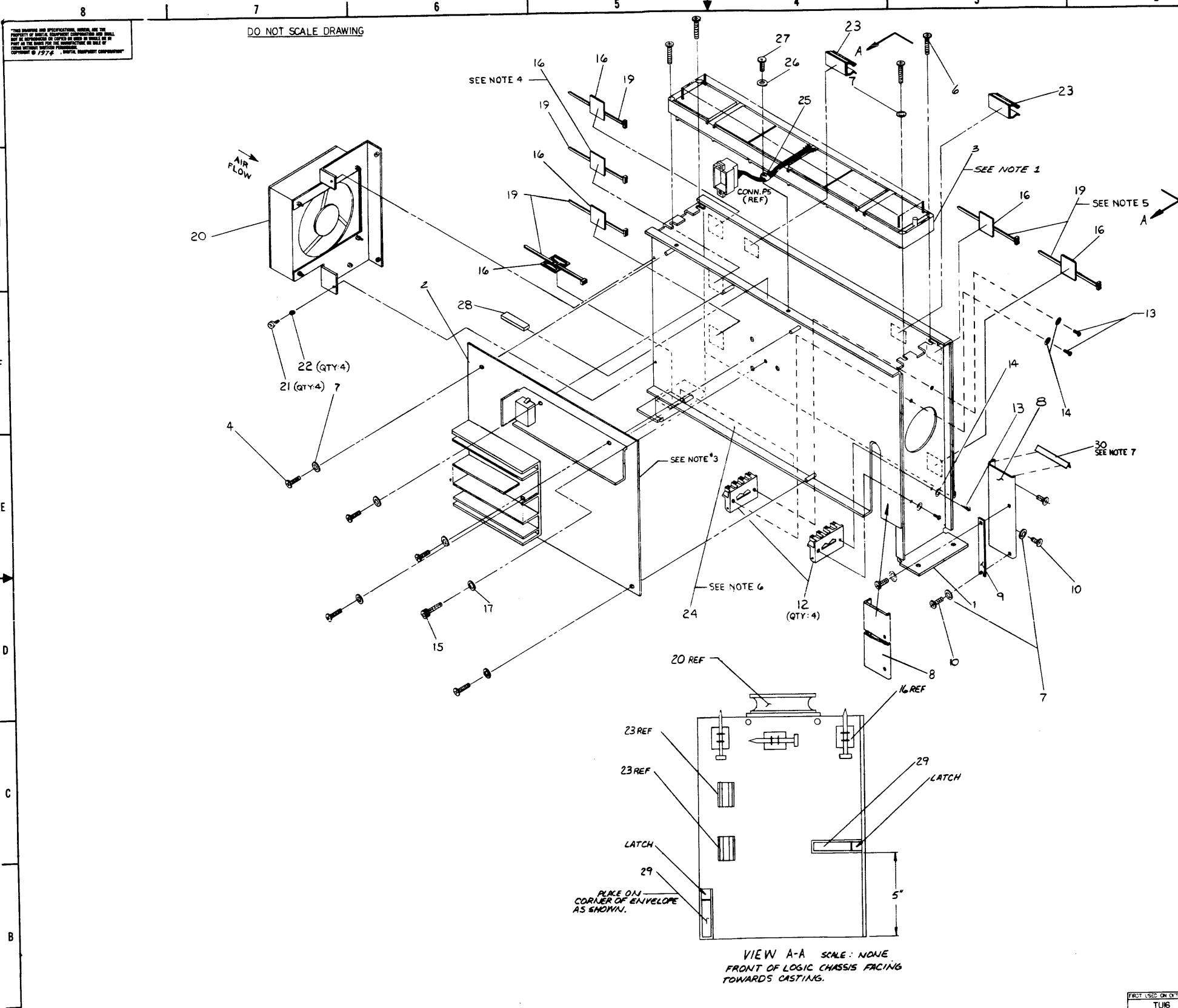
TITLE GEN. PURPOSE CARD (E & F) SIZE CODE DCS NUMBER M9001-YC-1 REV. C
 SCALE 1:1 SHEET 2 OF 2 DIST.

THIS DRAWING AND SPECIFICATIONS HEREIN ARE THE PROPERTY OF DIGITAL EQUIPMENT CORPORATION AND SHALL NOT BE REPRODUCED OR COPIED OR USED IN WHOLE OR IN PART AS THE BASIS FOR THE MANUFACTURE OR SALE OF IT AS WITHOUT WRITTEN PERMISSION. COPYRIGHT © 1976, DIGITAL EQUIPMENT CORPORATION



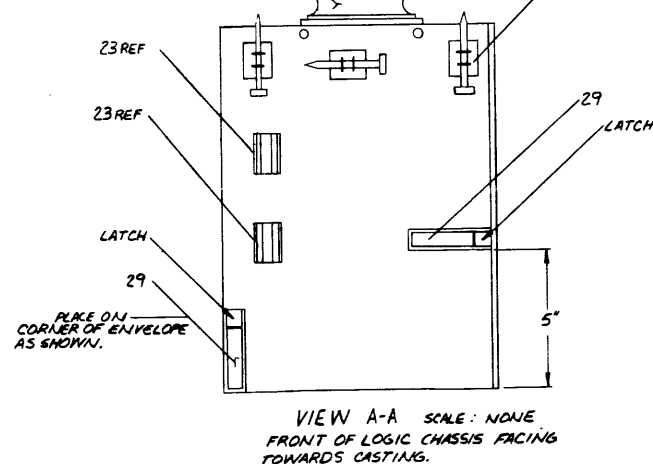
| | |
|--------------|----------|
| REV. 3 | REV. |
| CHG. NO. | CHG. NO. |
| 5412347-0000 | B |
| 10/18/77 | 10/18/77 |
| H. DRAB | |
| 5412347-0000 | |

| | | | |
|-------------------------------|-------------------|--------------------|--------------------|
| DRW. <i>[Signature]</i> | FIRST USED ON | <i>[Signature]</i> | <i>[Signature]</i> |
| CHK'D. <i>[Signature]</i> | TU-16W | | |
| ENG. <i>[Signature]</i> | | | |
| PROJ. ENG. <i>[Signature]</i> | TU-16W SWITCH BOX | | |
| PROD. <i>[Signature]</i> | (CTRL) | | |
| NEXT HIGHER ASSY. | | | |
| B-DD-5412347-0 | SIZE CODE | NUMBER | REV. |
| SCALE NONE | D | CS 5412347-0-1 | B |
| SHEET 1 OF 1 | DIST. | | |



- NOTES:**
- ITEM 3 TO BE MOUNTED UNDER FLANGES.
 - WHEN INSERTING MODULES INTO LOGIC ASSEMBLY CARD GUIDES (ITEM 12) WILL BE ADJUSTED BY SLIDING RIGHT OR LEFT SO AS TO PROPERLY ALIGN P.C. CARDS.
 - BEFORE ASSEMBLING ITEMS 1 AND 2, COAT MATING SURFACE OF DIODE HEAT SINK WITH THERMAL COMPOUND.
 - PLACE ADHESIVE BACK MOUNT DIRECTLY IN MIDDLE OF ENVELOPE, FLUSH WITH TOP RIDGE.
 - DELETE THESE TWO MOUNTS ON TE16 DRIVES.
 - INSTALL ITEM 24 AS SHOWN ALONG EDGE OF FLANGE ON INSIDE PANEL SURFACE 1.875 IN. FROM TOP PANEL.
 - APPLY ADHESIVE (ITEM 31) TO TOP EDGE OF CABLE CLAMP BRACKET (ITEM 2) THEN AFFIX GROMMET (ITEM 30) TO EDGE.

| QTY | DESCRIPTION | PART NO. | REF |
|-----|-------------------------------|-----------------|-----|
| 1 | HY BOND ADHESIVE | 9007594 | 31 |
| 1 | GROMMET, BLACK 1.25" | 9008209 | 30 |
| 2 | CLIP, FLAT CABLE ADHESIVE | 1213715-00 | 29 |
| 1 | IND. ELAPSED TIME | 1210721 | 28 |
| 1 | SCR, PHL PAN HD 6-32 x .50 LG | 9006024-01 | 27 |
| 1 | WASHER, FLAT #6 | 9006656 | 26 |
| 1 | CLAMP, CABLE 3/8 DIA. | 9007083 | 25 |
| 1 | TAPE, SCOTCH 3/4 WIDE | 9008845-00 | 24 |
| 2 | CLIP, PVC HARNESS | 9009771-02 | 23 |
| 4 | WASHER, LOCK #4 | 9006688 | 22 |
| 4 | SCR, PAN HD 4-40 x .43 LG | 9006012-1 | 21 |
| 1 | BRACKET, FAN ASSY | D-1A-7012911-00 | 20 |
| 6 | TIE WRAP | 9007032 | 19 |
| 1 | THERMAL COMPOUND | 9008868 | 18 |
| 1 | WASHER, SPLIT LOCK #8 | 9006630 | 17 |
| 6 | MOUNT, ADHESIVE BACK | 9008264 | 16 |
| 1 | SCREW, SOCKET HD 8-32 x 1/2 | 9009464-B | 15 |
| 1 | ELECTROSTATIC SHIELD | 9006031 | 14 |
| 8 | WASHER, INT TOOTH LOCK #4 | 9006632 | 13 |
| 8 | SCREW, PAN HD 8-32 x 3/16 | 9006010-1 | 12 |
| 4 | GUIDE, CARD EXTRACTER | 1210699 | 11 |
| 1 | WASHER, #6 INT LOCK | 9006633 | 10 |
| 4 | SCR, PHL PAN HD 6-32 x 1/8 LG | 9006022-1 | 9 |
| 5 | WASHER, #6 INT LOCK | 9006633 | 8 |
| 5 | SCR, PHL PAN HD 6-32 x 1/8 LG | 9006021-1 | 7 |
| 1 | LOGIC HARNESS ASSEMBLY | 90070130-00 | 6 |
| 1 | P.C. CARD ASSEMBLY | D-1A-511224 | 5 |
| 1 | LOGIC CHASSIS TU16 | D-1A-700630-00 | 1 |



| REV | DESCRIPTION | DATE | BY | CHKD |
|-----|------------------------|----------|----|------|
| 1 | ISSUED FOR PRODUCTION | 12-22-72 | | |
| 2 | REVISED TO ADD PART 16 | 1-14-73 | | |
| 3 | REVISED TO ADD PART 17 | 1-14-73 | | |
| 4 | REVISED TO ADD PART 18 | 1-14-73 | | |
| 5 | REVISED TO ADD PART 19 | 1-14-73 | | |
| 6 | REVISED TO ADD PART 20 | 1-14-73 | | |
| 7 | REVISED TO ADD PART 21 | 1-14-73 | | |
| 8 | REVISED TO ADD PART 22 | 1-14-73 | | |
| 9 | REVISED TO ADD PART 23 | 1-14-73 | | |
| 10 | REVISED TO ADD PART 24 | 1-14-73 | | |
| 11 | REVISED TO ADD PART 25 | 1-14-73 | | |
| 12 | REVISED TO ADD PART 26 | 1-14-73 | | |
| 13 | REVISED TO ADD PART 27 | 1-14-73 | | |
| 14 | REVISED TO ADD PART 28 | 1-14-73 | | |
| 15 | REVISED TO ADD PART 29 | 1-14-73 | | |
| 16 | REVISED TO ADD PART 30 | 1-14-73 | | |
| 17 | REVISED TO ADD PART 31 | 1-14-73 | | |

TOLERANCES:
DECIMAL
.XXX = ± .005
.XX = ± .02
.X = ± .1

SEE PARTS LIST

TU16

EQUIPMENT CORPORATION

LOGIC ASSEMBLY (TU16)

E-AD-7009634-0-0

EAD 7009635-0-0

1

This drawing and specifications, herein, are the property of Digital Equipment Corporation and shall not be reproduced or copied or used in whole or in part as the basis for the manufacture or sale of items without written permission.

**COPYRIGHT © 1974,
DIGITAL EQUIP CORP**

REV. F
NUMBER TUI6-Ø-WL
SIZE CODE K WL
2

B

B

→

←

A

A

| REVISIONS | | REV. |
|-----------|--------------------------------|------|
| CHK | CHANGE NO. | |
| 288 | TUI6-00010 | A |
| | <i>G. Fowler 5-5-75</i> | |
| | <i>J. HESS</i> | |
| | <i>J. R. Hess 5-7-75</i> | |
| 288 | TUI6-00013 | B |
| | <i>G. Fowler 7-25-75</i> | |
| | <i>J. HESS</i> | |
| | <i>John P. Hess 7-10-75</i> | |
| 288 | TUI6-00021 | C |
| | <i>P. Brown 25 JUNE 76</i> | |
| | <i>H. DRAB</i> | |
| | <i>H. DRAB 6 Jul 76</i> | |
| 288 | TUI6-00022 | D |
| | <i>H. DRAB 2 Aug 76</i> | |
| | <i>H. DRAB</i> | |
| | <i>H. DRAB 2 Aug 76</i> | |
| AK | TUI6-00027 | E |
| K.T. | TUI6-00030 | F |
| | <i>B. Chionomari 3 MAR. 77</i> | |
| | <i>H. DRAB</i> | |
| | <i>H. Drab 3-9-77</i> | |

| FIRST USED ON OPTION MODEL | QTY. | DESCRIPTION | PART NO. | ITEM NO. |
|----------------------------|--------------------|-------------|----------------|--|
| TUI6 | | | | |
| PARTS LIST | | | | |
| DRN. | <i>D. Schmitt</i> | DATE | <i>2/20/74</i> | digital EQUIPMENT CORPORATION MAYNARD, MASSACHUSETTS TITLE WIRE LIST (TUI6) |
| CHK'D. | <i>D. Schmitt</i> | DATE | <i>2/29/74</i> | |
| ENG. | <i>J. R. Hess</i> | DATE | <i>2-20-74</i> | |
| PROG. ENG. | <i>J. R. Hess</i> | DATE | <i>2-20-74</i> | |
| PROD. | <i>D. A. Smith</i> | DATE | <i>5-31-74</i> | |
| NEXT HIGHER ASSEMBLY | | | | |
| D-AD-7009605-0-0 | | | | |
| SCALE | <i>1" = 1"</i> | SIZE CODE | K WL | NUMBER |
| SHEET | 1 | OF | 1 | REV. |
| | | | | F |

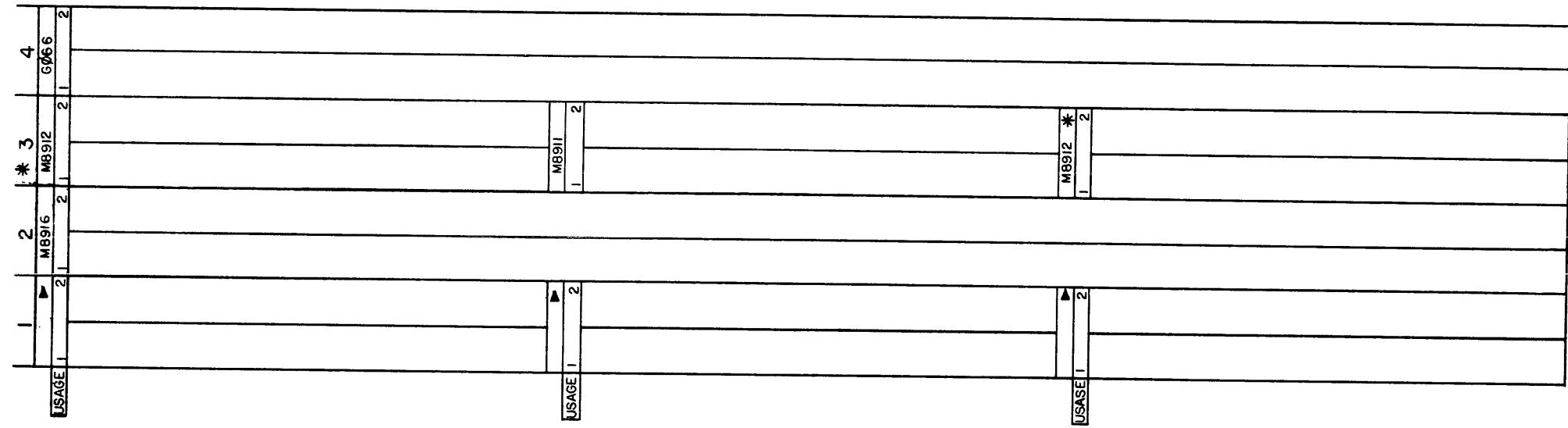
THIS DRAWING AND SPECIFICATIONS, HEREIN, ARE THE PROPERTY OF DIGITAL EQUIPMENT CORPORATION AND SHALL NOT BE REPRODUCED OR COPIED OR USED IN WHOLE OR IN PART AS THE BASIS FOR THE MANUFACTURE OR SALE OF ITEMS WITHOUT WRITTEN PERMISSION. COPYRIGHT © 1977, DIGITAL EQUIPMENT CORPORATION

REV. 2
D MU TE16-0-MU

NOTES:

- USE CABLE SLOTS AS FOLLOWS

| | END-OF-BUS | MIDDLE-OF-BUS |
|-----|------------|---------------|
| A,B | M9001YB | M9001 |
| C,D | M8913YA | M8913 |
| E,F | M9001YC | M9001-YA |
- M8912 CAN BE USED AS A TEST FUNCTION GENERATOR IN SLOT 3 A/B. IT DRIVES SERIAL NO AND DRIVE TYPE LINES IN SLOT 3 E/F. THE TU16 CAN NOT OPERATE ON-LINE WITH M8912 IN SLOT 3 A/B.
- ELECTROSTATIC SHIELD IS POSITIONED BETWEEN THE G066 MODULE AND THE M8911/M8912 MODULES.



▲ SEE NOTE *1
* SEE NOTE *2

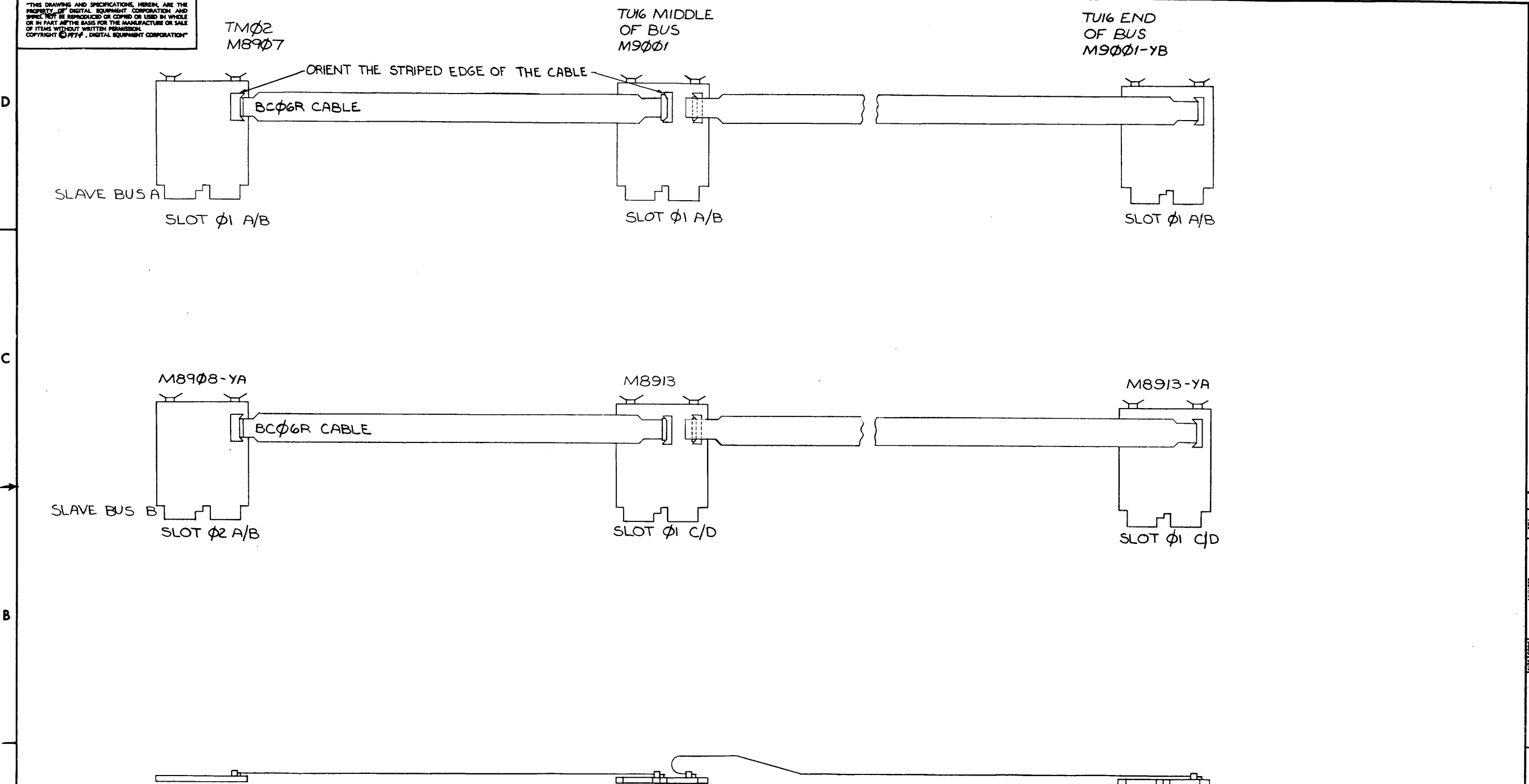
| FIRST USED ON OPTION/MODEL | QTY. | DESCRIPTION | PART NO. | ITEM NO. |
|--|--|---|----------------------------|--------------------------|
| TE16 | | | | |
| PARTS LIST | | | | |
| DIMENSIONAL TOLERANCE DIMENSIONS ARE MILLIMETERS UNLESS OTHERWISE SPECIFIED | | DRN. <i>W</i> DATE <i>1/28/77</i> CHK'D <i>W</i> DATE <i>2/1/77</i> ENG. <i>J</i> DATE <i>1/28/77</i> PROJ. <i>R</i> DATE <i>1/28/77</i> | | |
| MILLIMETERS: XOX ±0.10, XX ±0.08, X ±0.2 ANGLES: 10° 30' | INCHES: JOCK ±0.008, JOC ±0.002, J ±0.1 | TITLE MODULE UTILIZATION | | |
| THIRD ANGLE PROJECTION | REMOVE BURRS AND BREAK SHARP CORNERS SURFACE QUALITY ✓ | NEXT HIGHER ASSY. | SIZE CODE D UA-TE16-0-0 | NUMBER D MU TE16-0-MU |
| MATERIAL | FINISH | SCALE | SHEET | OF |

| REV. | CHANGE NO. | CHK. |
|------|------------|------|
| | | |

REV. 2
D MU TE16-0-MU

THIS DRAWING AND SPECIFICATIONS, HEREIN, ARE THE PROPERTY OF DIGITAL EQUIPMENT CORPORATION AND SHALL NOT BE REPRODUCED OR COPIED OR USED IN WHOLE OR IN PART AS THE BASIS FOR THE MANUFACTURE OR SALE OF ITEMS WITHOUT WRITTEN PERMISSION. COPYRIGHT © 1974, DIGITAL EQUIPMENT CORPORATION

2-0-9111 2

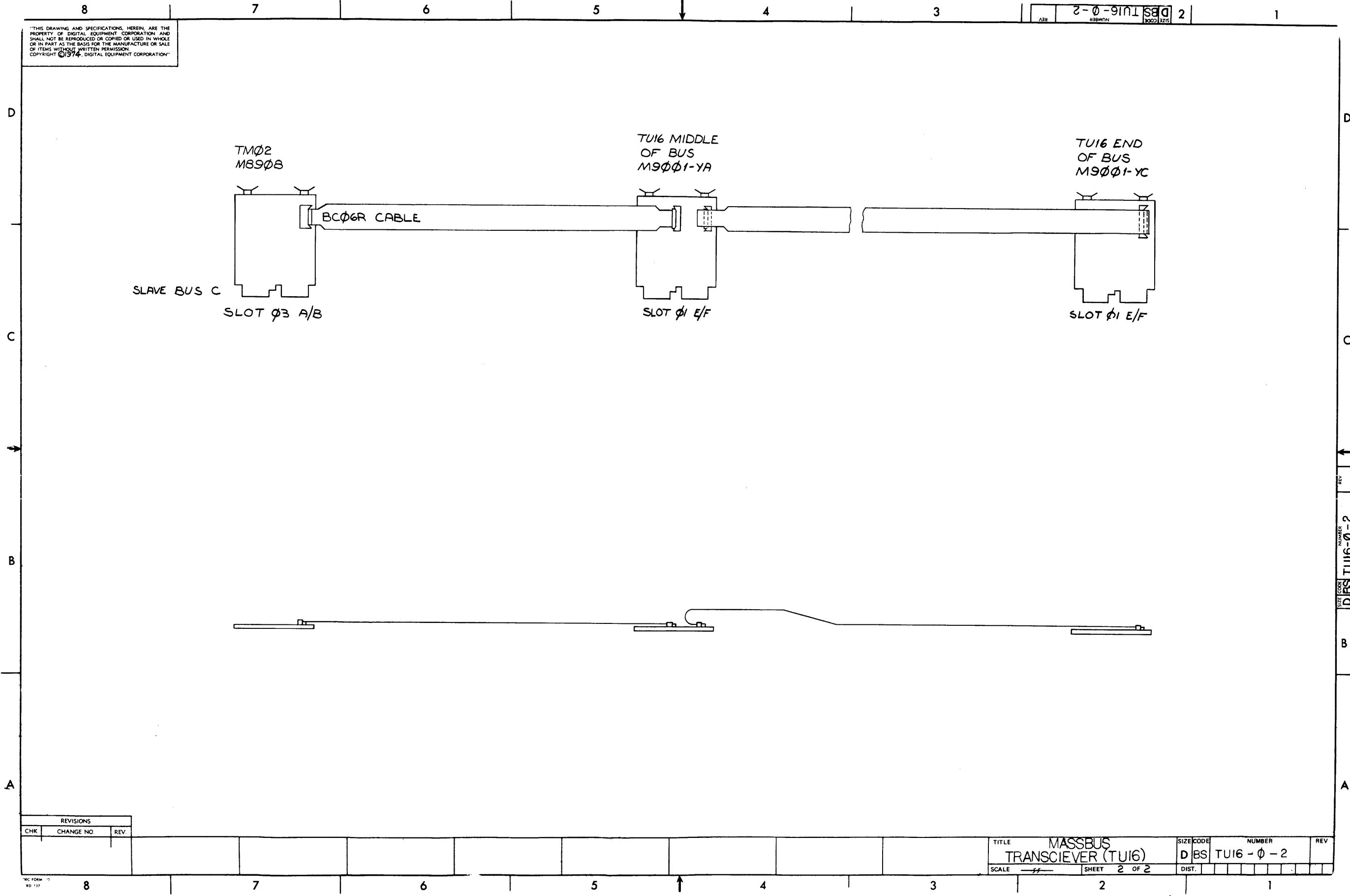


| | |
|------------|--|
| REV. | |
| CHANGE NO. | |
| REVISIONS | |

| | | | | | |
|---|--|-------------------|-------------|----------------------------------|----------|
| FIRST USED ON OPTION/MODEL | | QTY. | DESCRIPTION | PART NO. | ITEM NO. |
| TU16 | | | | | |
| DIMENSIONAL TOLERANCE | | PARTS LIST | | | |
| DIMENSIONS ARE UNLESS OTHERWISE SPECIFIED | | DRN | DATE | digital | |
| | | CHK'D | DATE | TITLE MASSBUS TRANSCEIVER (TU16) | |
| MILLIMETERS | INCHES | ENG | DATE | | |
| X.XX ±0.13 | .XX ±0.005 | APP'G | DATE | | |
| X.X ±0.2 | .X ±0.01 | PROJ | DATE | | |
| X ±0.2 | X ±0.1 | | | | |
| THIRD ANGLE PROJECTION | REMOVE BURRS AND BREAK SHARP CORNERS SURFACE QUALITY | NEXT HIGHER ASSY. | | | |
| MATERIAL | | B-DD-TU16-0 | SIZE CODE | NUMBER | REV. |
| FINISH | | SCALE | D.B.S. | TU16-0-2 | |
| | | SHEET | | | |
| | | | | | |

REV. NO. D.B.S. TU16-0-2

"THIS DRAWING AND SPECIFICATIONS, HEREIN, ARE THE PROPERTY OF DIGITAL EQUIPMENT CORPORATION AND SHALL NOT BE REPRODUCED OR COPIED OR USED IN WHOLE OR IN PART AS THE BASIS FOR THE MANUFACTURE OR SALE OF ITEMS WITHOUT WRITTEN PERMISSION. COPYRIGHT © 1974, DIGITAL EQUIPMENT CORPORATION"

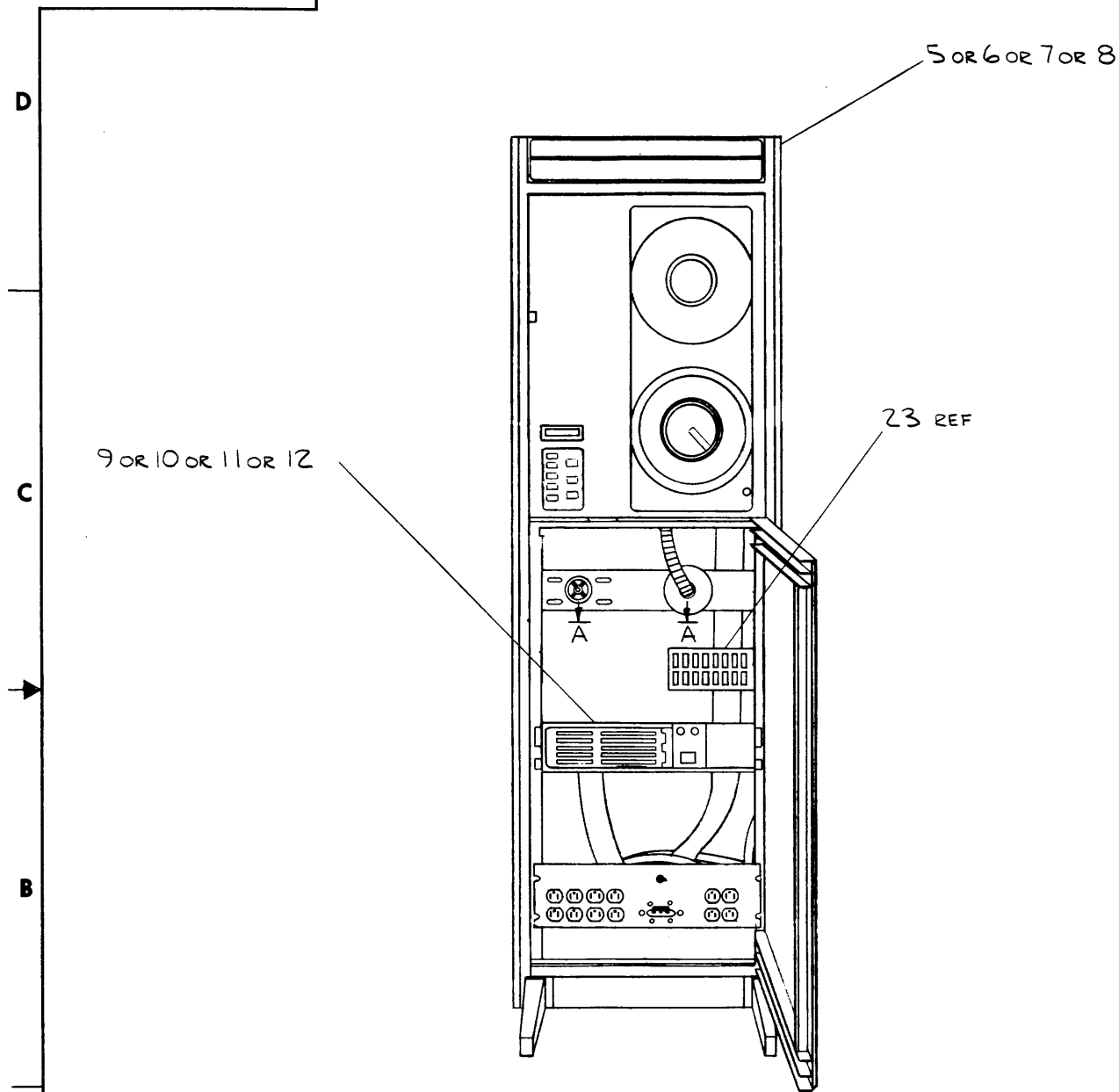


THIS DRAWING AND SPECIFICATIONS, HEREIN, ARE THE PROPERTY OF DIGITAL EQUIPMENT CORPORATION AND SHALL NOT BE REPRODUCED OR COPIED OR USED IN WHOLE OR IN PART AS THE BASIS FOR THE MANUFACTURE OR SALE OF ITEMS WITHOUT WRITTEN PERMISSION. COPYRIGHT © 1977, DIGITAL EQUIPMENT CORPORATION

0-0-9131 MID 2

| NUMBER | LEGEND | |
|---------|------------------------|------------|
| | VARIATION | VOLTAGE |
| TE16-EA | TE16-EE & TMØ3/TMØ2-FA | 115V, 60HZ |
| TE16-EB | TE16-EF & TMØ3/TMØ2-FB | 230V, 60HZ |
| TE16-EC | TE16-EH & TMØ3/TMØ2-FA | 115V, 50HZ |
| TE16-ED | TE16-EJ & TMØ3/TMØ2-FB | 230V, 50HZ |
| TE16-EK | TE16-EE & TMØ3/TMØ2-FC | 115V, 60HZ |
| TE16-EL | TE16-EF & TMØ3/TMØ2-FD | 230V, 60HZ |
| TE16-EM | TE16-EH & TMØ3/TMØ2-FC | 115V, 50HZ |
| TE16-EN | TE16-EJ & TMØ3/TMØ2-FD | 230V, 50HZ |
| TE16-AA | TE16-AE & TMØ3/TMØ2-FA | 115V, 60HZ |
| TE16-AB | TE16-AF & TMØ3/TMØ2-FB | 230V, 60HZ |
| TE16-AC | TE16-AH & TMØ3/TMØ2-FA | 115V, 50HZ |
| TE16-AD | TE16-AJ & TMØ3/TMØ2-FB | 230V, 50HZ |

- NOTES:
1. INFORMATION FOR CONNECTING THE CABLES TO THE TAPE TRANSPORT - REFER TO D-MU-TU16-Ø-MU.
 2. USE BLACK TUBING (ITEM #20) TO COVER 36.00 GND STRAP, USE TWO TIE WRAPS (ITEM #19) TO SECURE TUBING TO STRAP.
 3. GND STRAP, JUMPER FROM TMØ2/TMØ3 LOGIC BOX TO BE CONNECTED TO PWR SUPPLY TRANS-CAP ASSY.
 4. FOR MTG INFO. SEE SHT. 4.



FRONT VIEW

| REV | DATE | BY | CHK | DESCRIPTION |
|-----|---------|---------|---------|---------------------|
| A | 7-27-77 | H. DRAR | H. DRAR | REVISED TO 0-0-9131 |
| B | 8-1-77 | H. DRAR | H. DRAR | REVISED TO 0-0-9131 |
| C | 8-1-77 | H. DRAR | H. DRAR | REVISED TO 0-0-9131 |
| D | 8-1-77 | H. DRAR | H. DRAR | REVISED TO 0-0-9131 |

OFF SHEET PARTS LIST REFER TO C-PL-TE16-Ø-Ø

| DESCRIPTION | DWG./PART NO. | ITEM NO. |
|---|-------------------|---|
| UNLESS OTHERWISE SPECIFIED DIMENSIONS ARE IN INCHES | | |
| ANGLES | CLASS OF ACCURACY | NOMINAL DIMENSION RANGE INCHES |
| 30° 30' | (CHECK ONE) | OVER 0 TO 1.5 OVER 1.5 TO 3.0 OVER 3.0 TO 4.0 OVER 4.0 TO 12.0 OVER 12.0 TO 40.0 OVER 40.0 TO 80.0 |
| SURFACE QUALITY | MEDIUM | ±.004 ±.008 ±.012 ±.018 ±.024 ±.04 |
| IN | PREFERRED | ±.012 ±.018 ±.025 ±.04 ±.06 ±.1 |
| MICROINCHES | | |

THIRD ANGLE PROJECTION

REMOVE BURRS AND BREAK SHARP CORNERS

DO NOT SCALE DWG

MATERIAL: B-DD-TE16-Ø

FINISH: --

QUANTITY & VARIATION

DRN. [Signature]

CHK'D [Signature]

ENG [Signature]

PROD. ENG. [Signature]

PROD. RC [Signature]

FIRST USED ON: TE16

TITLE: MAG TAPE DRIVE (TE16)

SIZE: D UAI

NUMBER: TE16-Ø-Ø

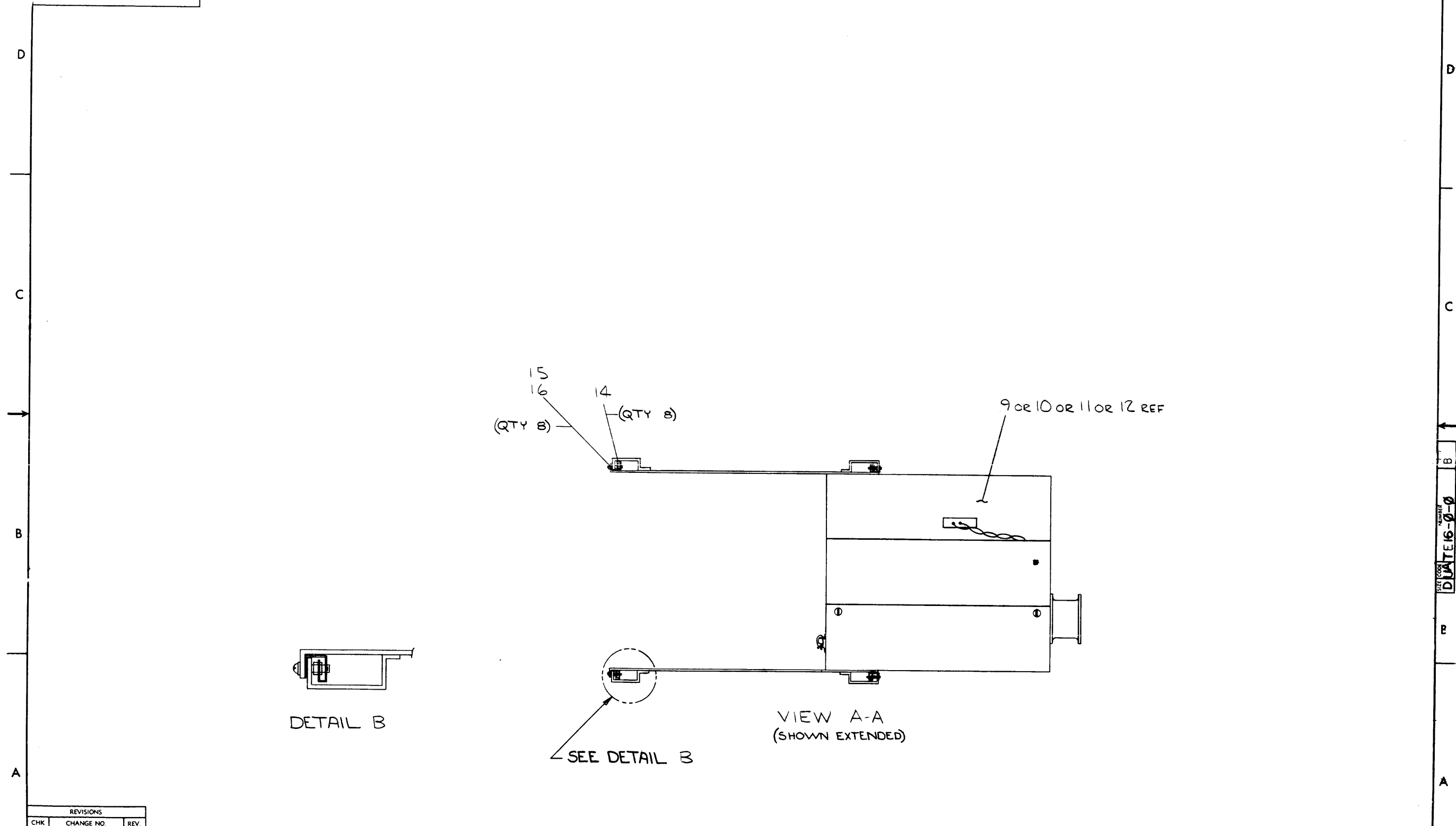
REV: B

SHEET: OF 5

DIST.:

THIS DRAWING AND SPECIFICATIONS HEREIN ARE THE PROPERTY OF DIGITAL EQUIPMENT CORPORATION AND SHALL NOT BE REPRODUCED OR COPIED OR USED IN WHOLE OR IN PART AS THE BASIS FOR THE MANUFACTURE OR SALE OF ITEMS WITHOUT WRITTEN PERMISSION. COPYRIGHT © 1977 DIGITAL EQUIPMENT CORPORATION.

SIZE CODE NUMBER
 DUA TE16-0-0 2



SIZE CODE NUMBER
 DUA TE16-0-0

| REVISIONS | | |
|-----------|------------|------|
| CHK | CHANGE NO. | REV. |
| | | |

TITLE
 MAG TAPE DRIVE (TE16)
 SCALE $\frac{1}{4}$ " = 1"

SIZE CODE NUMBER
 DUA TE16-0-0

SHEET 2 OF 5

DIST.

| | | | | | | | | | |
|--|--|--|--|--|--|--|--|--|--|
| | | | | | | | | | |
|--|--|--|--|--|--|--|--|--|--|

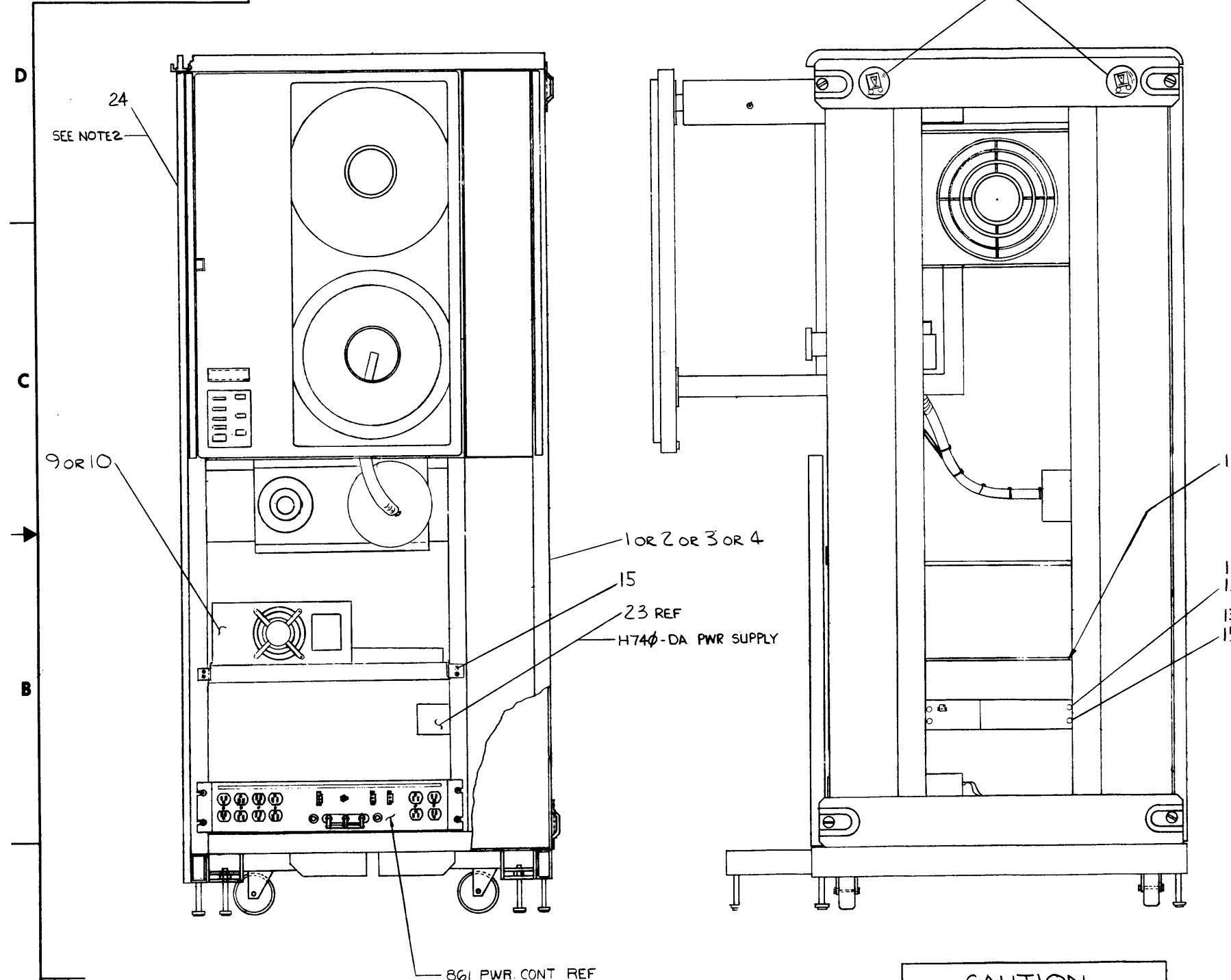
REV. B

DATE FORM NO. 137

ML 1

"THIS DRAWING AND SPECIFICATIONS, HEREIN, ARE THE PROPERTY OF DIGITAL EQUIPMENT CORPORATION, AND SHALL NOT BE REPRODUCED OR COPIED OR USED IN WHOLE OR IN PART AS THE BASIS FOR THE MANUFACTURE OR SALE OF ITEMS WITHOUT WRITTEN PERMISSION. COPYRIGHT © 1977, DIGITAL EQUIPMENT CORPORATION"

- NOTES:**
- FOR INFORMATION ON SLAVE UNITS TEIG-AE, TEIG-AF, TEIG-AH & TEIG-AJ SEE D-UA-TEIG-A-Ø AND C-PL-TEIG-A-Ø.
 - PUT "PUSH DECAL" IN LINE WITH CHASSIS TRACK BOTH SIDES.



LOCATION OF TINNEMAN NUTS (ITEM #14)

LOCATE ALL NUTS BY COUNTING HOLES UP FROM BOTTOM OF CABINET UPRIGHT

| FRONT HOLE NUMBERS | REAR HOLE NUMBERS |
|--|--|
| RIGHT SIDE: 21 [#] , 22 [#] , 14 [#] , 17 [#] | RIGHT SIDE: 14 [#] , 17 [#] , 21 [#] , 22 [#] |
| LEFT SIDE: 21 [#] , 22 [#] | LEFT SIDE: 21 [#] , 22 [#] |

* USED WHEN INSTALLING TMØZ AND H74Ø-DA (REF ONLY)

CAUTION
THIS SHEET IS FOR THE TEIG IN THE H95Ø SERIES CAB

| | | | |
|--------------------------------------|-------------------------------|---------------|-----------------------|
| QUANTITY & VARIATION | DRN. <i>[Signature]</i> | FIRST USED ON | TEIG |
| THIRD ANGLE PROJECTION | CHK'D <i>[Signature]</i> | TITLE | MAG TAPE DRIVE (TEIG) |
| REMOVE BURRS AND BREAK SHARP CORNERS | PROJ. ENG. <i>[Signature]</i> | SIZE CODE | B-DD-TEIG-Ø |
| DO NOT SCALE DWG | PROD. <i>[Signature]</i> | SCALE | NONE |
| MATERIAL | | SHEET | 3 OF 5 |
| FINISH | | DIST. | |

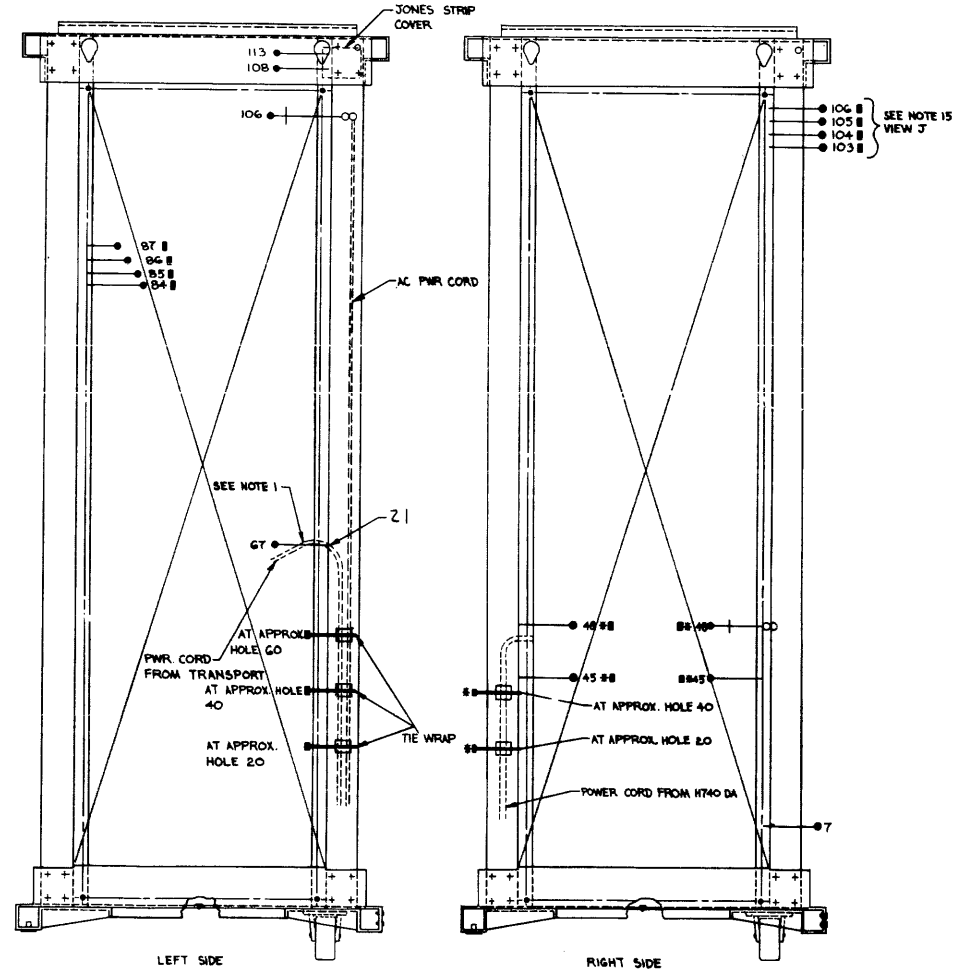
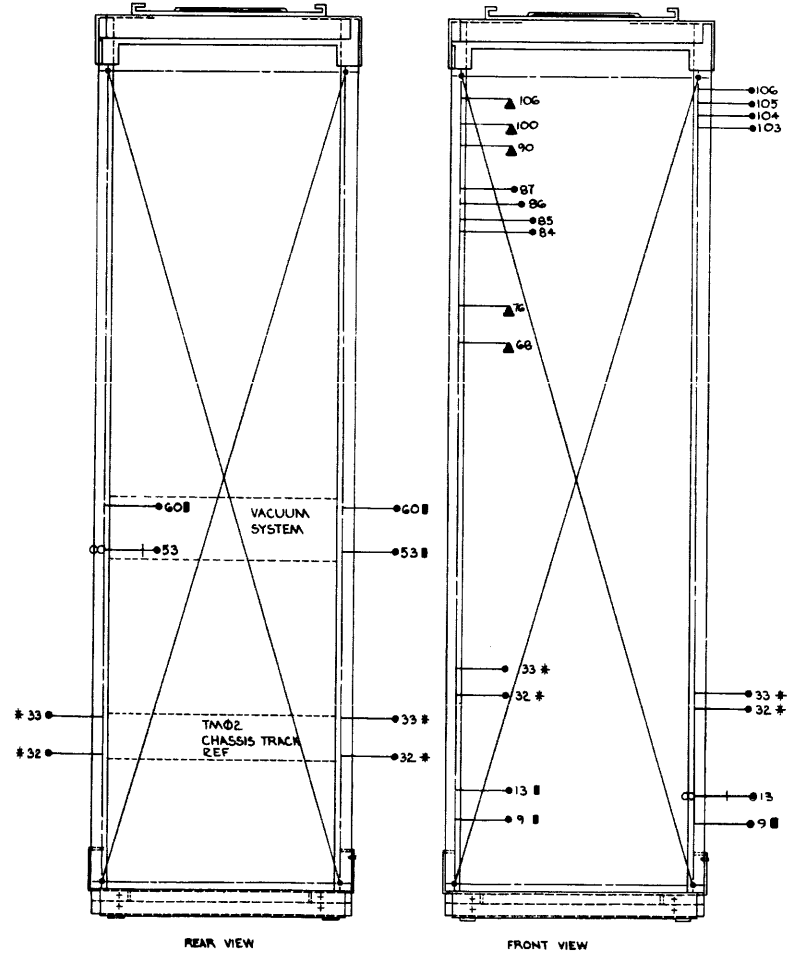
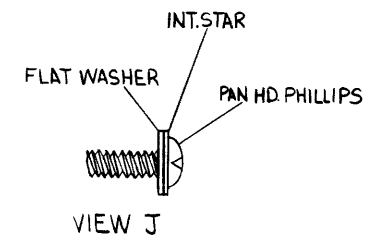
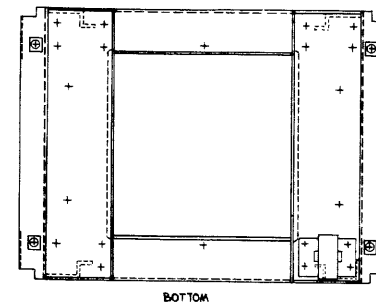
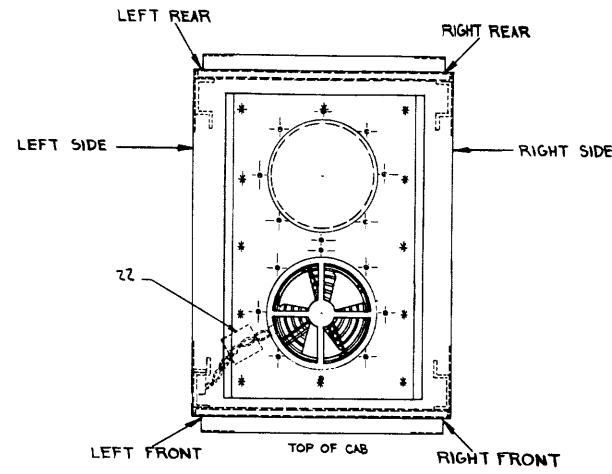
REV. 1
CHK
REVISIONS
CHANGE NO.

THIS DRAWING AND SPECIFICATIONS HEREIN ARE THE PROPERTY OF DIGITAL EQUIPMENT CORPORATION AND SHALL NOT BE REPRODUCED OR COPIED OR USED IN WHOLE OR IN PART AS THE BASIS FOR THE MANUFACTURE OR SALE OF ITEMS WITHOUT WRITTEN PERMISSION. COPYRIGHT © 1977, DIGITAL EQUIPMENT CORPORATION.

HARDWARE AID PRINT FOR H950 SERIES CABS

DUAL TE16-0-0 2

- NOTES:
1. USE .375 CLAMP (ITEM #21) FOR POWER CORD. FROM TRANSPORT USE FLAT WASHER.
 2. USE .625 CLAMP FOR 061 POWER CORD, USE FLAT WASHER.
- THIS SIGN INDICATES WHERE TINNED CLIP SHOULD BE COUNTING FROM BOTTOM OF CAB
 - + INDICATES USE OF SCREW & KEP-NUT FOR GROUNDING PURPOSES.
 - ▲ INDICATES CABLE TIE MOUNT 90TBGT FOR TIE WRAP.
 - * THIS SIGN INDICATES USED ONLY WHEN INSTALLING A TM02
 - USE FLAT WASHER #10
 - ∞ USE KEP-NUT #10-32



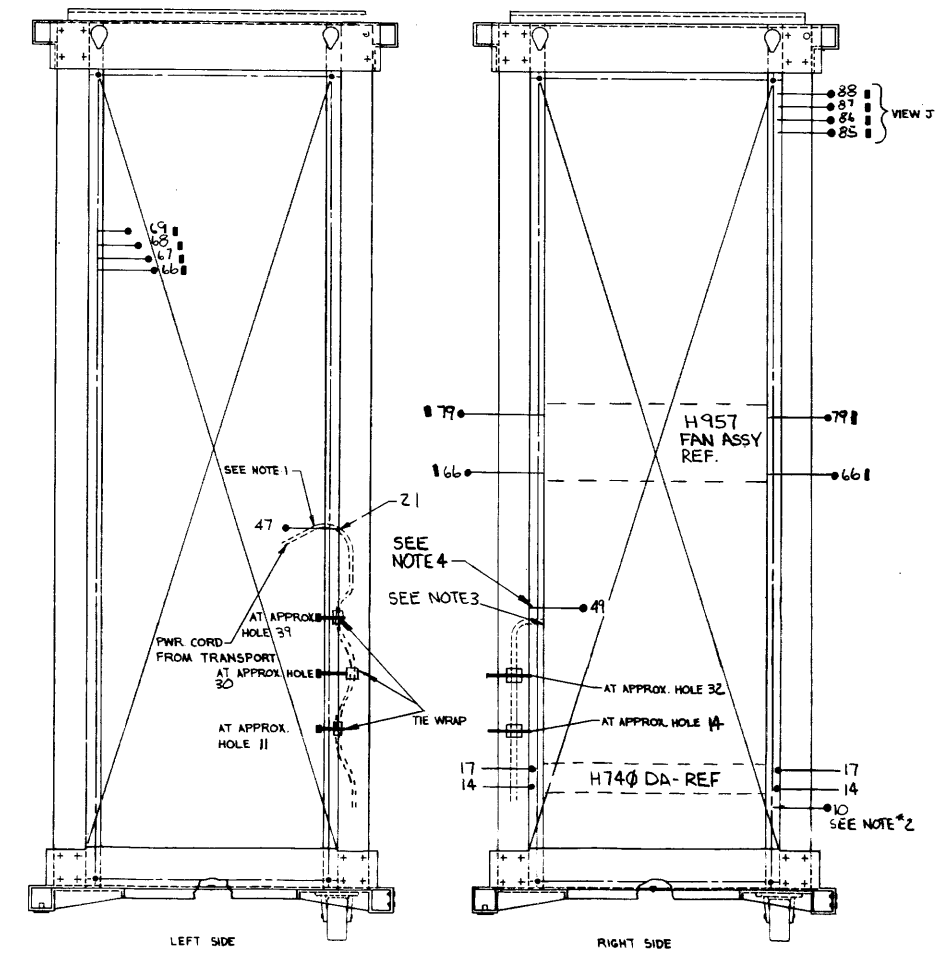
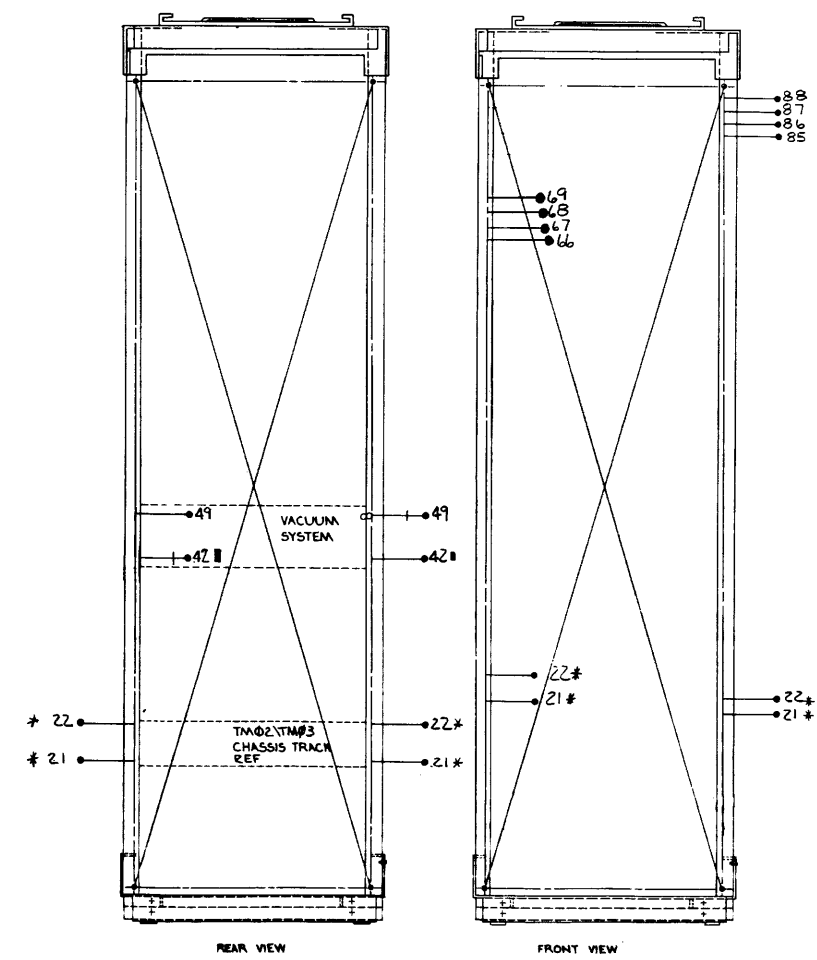
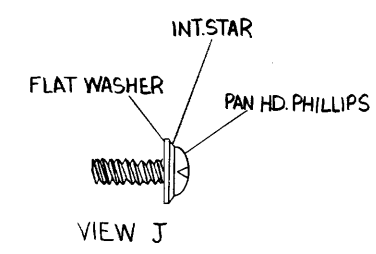
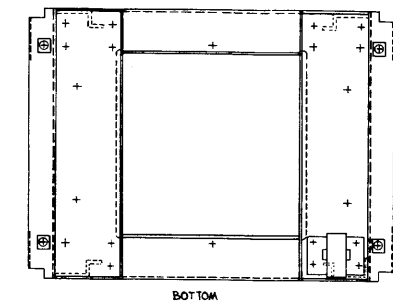
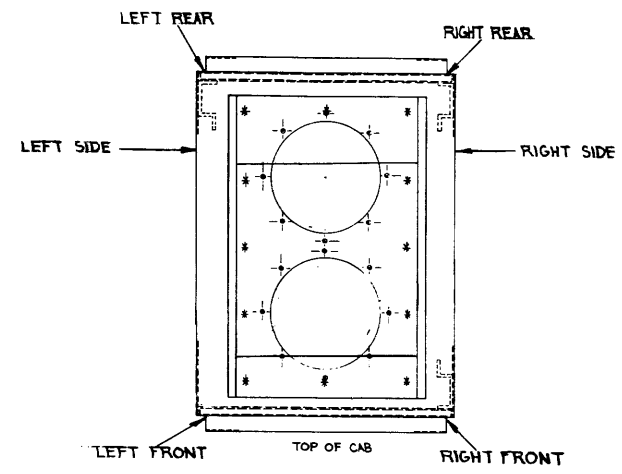
| REVISIONS | | |
|-----------|------------|------|
| CHK | CHANGE NO. | REV. |
| | | |

| | | | |
|-----------------------|-----------|----------|-------|
| TITLE | SIZE CODE | NUMBER | REV. |
| MAG TAPE DRIVE (TE16) | DUA | TE16-0-0 | B |
| SCALE | SHEET | OF | DIST. |
| | 4 | 5 | |

THIS DRAWING AND SPECIFICATIONS HEREIN ARE THE PROPERTY OF DIGITAL EQUIPMENT CORPORATION AND SHALL NOT BE REPRODUCED OR COPIED OR USED IN WHOLE OR IN PART AS THE BASIS FOR THE MANUFACTURE OR SALE OF ITEMS WITHOUT WRITTEN PERMISSION. COPYRIGHT © 1977, DIGITAL EQUIPMENT CORPORATION

HARDWARE AID PRINT FOR H9602 CAB

- NOTES:
1. USE .375 CLAMP (ITEM #21) FOR POWER CORD. FROM TRANSPORT USE FLAT WASHER.
 2. USE .625 CLAMP FOR 6G1 POWER CORD, USE FLAT WASHER. THIS SIGN INDICATES WHERE TINNEMAN CLIP SHOULD BE, COUNTING FROM BOTTOM OF CAB.
 - INDICATES USE OF SCREW & KEP-NUT FOR GROUNDING PURPOSES.
 - INDICATES CABLE TIE MOUNT 9078GT FOR TIE WRAP.
 - * THIS SIGN INDICATES USED ONLY WHEN INSTALLING A TM03.
 - USE FLAT WASHER #10.
 - USE KEP-NUT #10-32.
 3. USE .375 CLAMP (ITEM #21) FOR FAN POWER CORD.
 4. ATTACH GND WIRE TO CAB USING 1 ITEM #154 & ITEM #18.

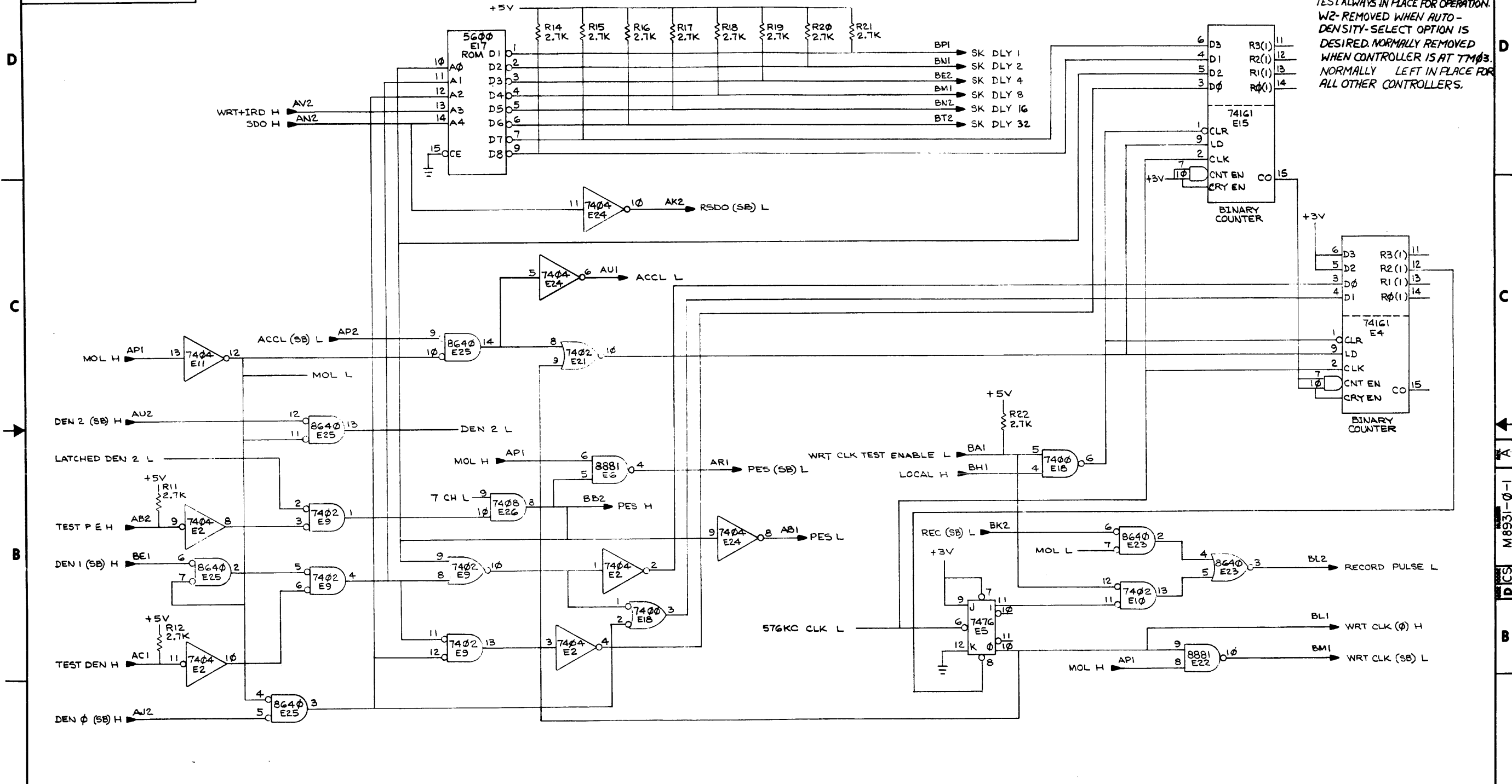


| REVISIONS | | |
|-----------|-----------|------|
| CHK | CHANGE NO | REV. |
| | | |

| | | | |
|-----------------------|-----------|----------|------|
| TITLE | SIZE CODE | NUMBER | REV. |
| MAG TAPE DRIVE (TE16) | DUA | TE16-0-0 | B |
| SCALE | SHEET | OF | |
| | 5 | 5 | |

THIS DRAWING AND SPECIFICATIONS, HEREIN, ARE THE PROPERTY OF DIGITAL EQUIPMENT CORPORATION AND SHALL NOT BE REPRODUCED OR COPIED OR USED IN WHOLE OR IN PART AS THE BASIS FOR THE MANUFACTURE OR SALE OF ITEMS WITHOUT WRITTEN PERMISSION.
 COPYRIGHT © 1977, DIGITAL EQUIPMENT CORPORATION

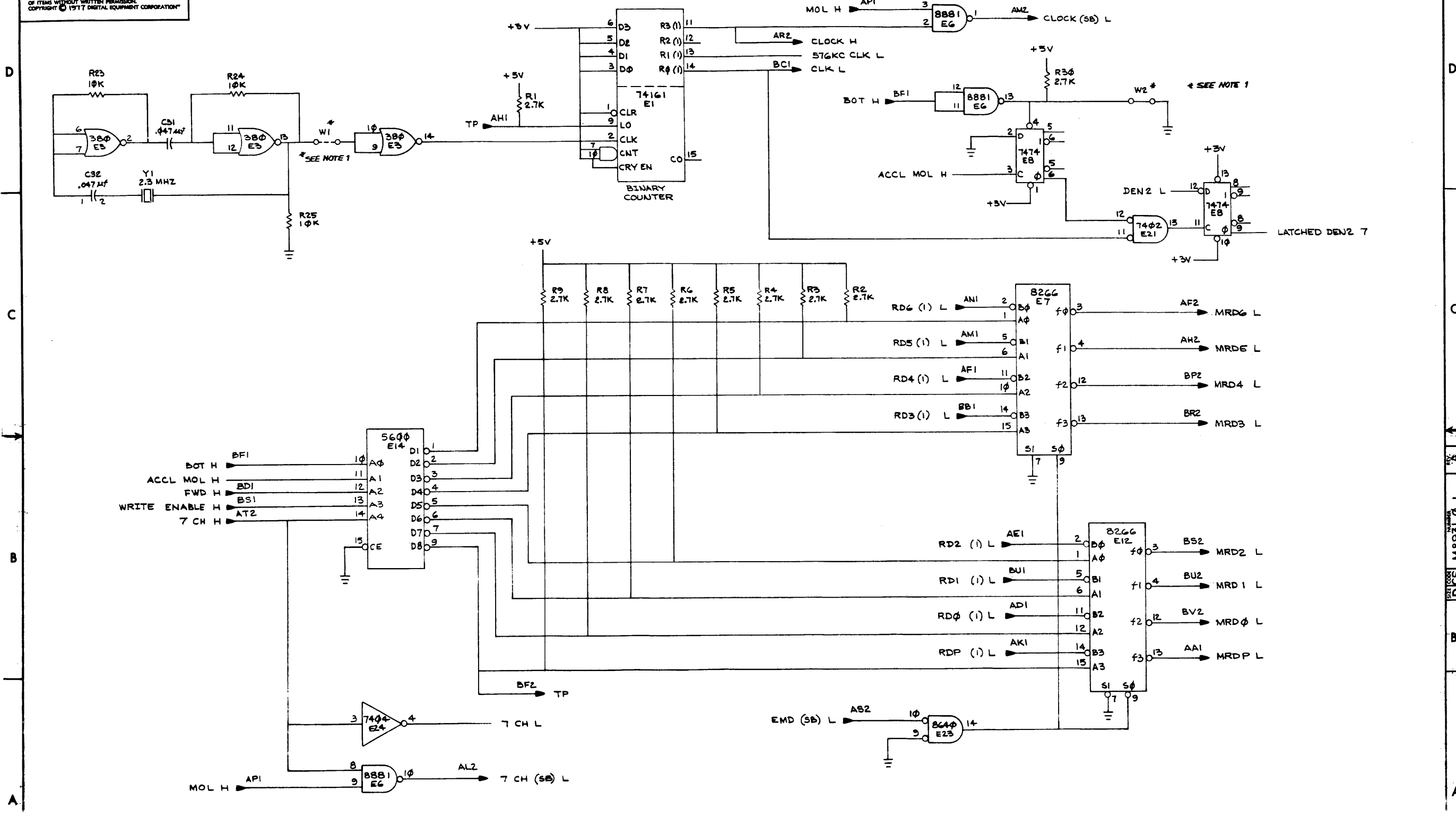
NOTES:
 1. EXPLANATION OF JUMPERS:
 W1&W3 - REMOVED ONLY FOR MODULE TEST ALWAYS IN PLACE FOR OPERATION.
 W2 - REMOVED WHEN AUTO-DENSITY-SELECT OPTION IS DESIRED. NORMALLY REMOVED WHEN CONTROLLER IS AT TTM03. NORMALLY LEFT IN PLACE FOR ALL OTHER CONTROLLERS.



| | |
|-----------------|--------------|
| REV. A | DATE 5-31-77 |
| CHG. NO. 0001 | BY H. DRAB |
| CHK. BY H. DRAB | DATE 5-9-78 |
| REV. B | DATE 5-9-77 |
| REV. C | DATE 5-9-77 |
| REV. D | DATE 5-9-77 |

| | | | |
|-----------------------|--------------|------------------------------------|-----------|
| DRN. 8 | DATE 5-31-77 | FIRST USED ON TEIG | DIGITAL |
| CHK. BY H. DRAB | DATE 5-11-77 | TITLE SLAVE CLOCK AND MOTION DELAY | |
| ENG. BY H. DRAB | DATE 5-5-77 | | |
| PROJ. ENG. BY H. DRAB | DATE 5-9-77 | | |
| PROD. BY H. DRAB | DATE 5-5-77 | | |
| NEXT HIGHER ASSY. | | | |
| B-DD-M8931-0 | SIZE CODE | NUMBER | REV. A |
| SCALE | D | CS | M8931-0-1 |
| SHEET 1 | OF 3 | DIST. | |

"THIS DRAWING AND SPECIFICATIONS, HEREIN, ARE THE PROPERTY OF DIGITAL EQUIPMENT CORPORATION AND SHALL NOT BE REPRODUCED OR COPIED OR USED IN WHOLE OR IN PART AS THE BASIS FOR THE MANUFACTURE OR SALE OF ITEMS WITHOUT WRITTEN PERMISSION. COPYRIGHT © 1977 DIGITAL EQUIPMENT CORPORATION"

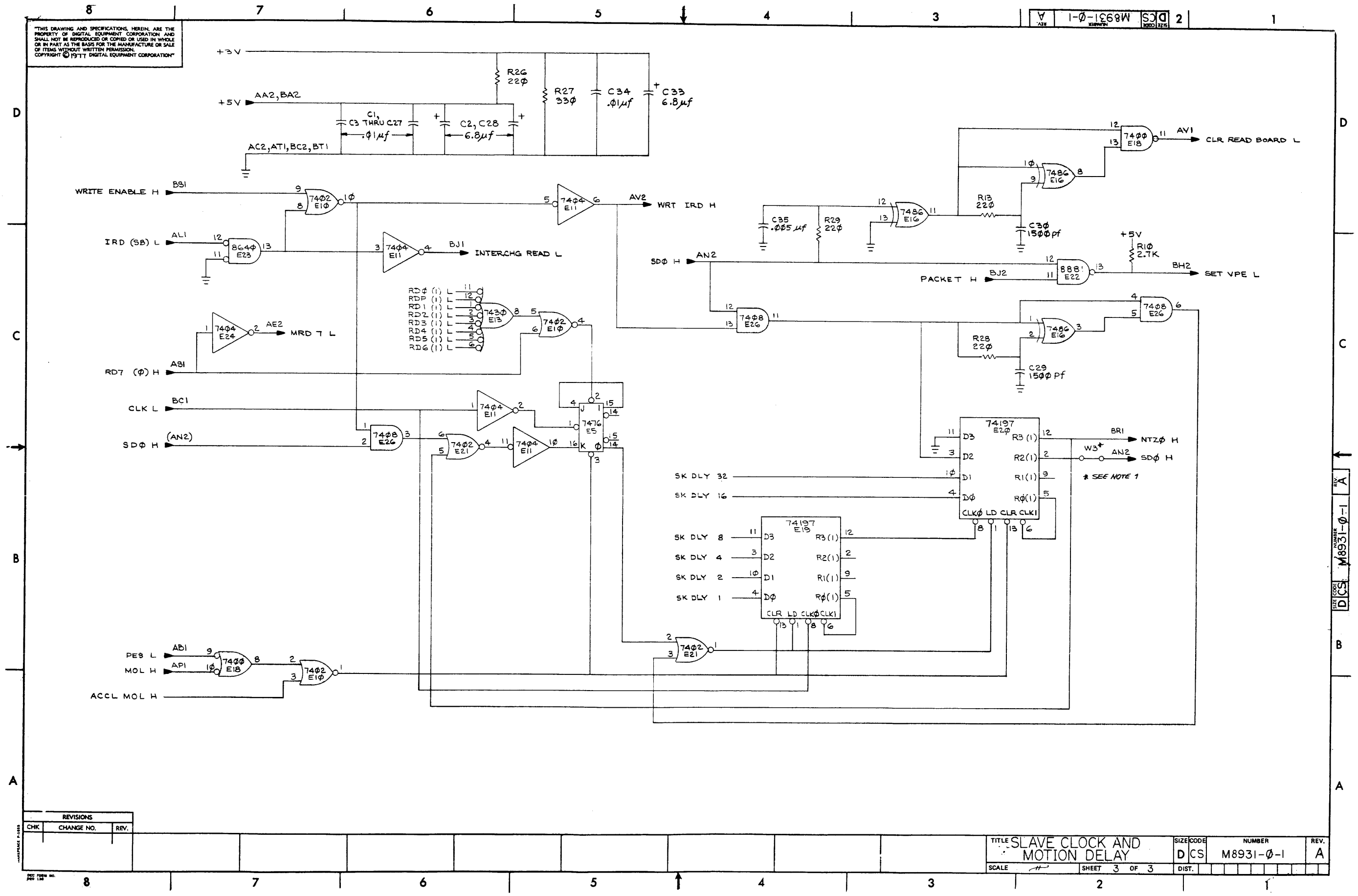


| REVISIONS | | |
|-----------|------------|------|
| CHK | CHANGE NO. | REV. |
| | | |
| | | |

REV. A
M8931-0-1
DCS

"THIS DRAWING AND SPECIFICATIONS, HEREIN, ARE THE PROPERTY OF DIGITAL EQUIPMENT CORPORATION AND SHALL NOT BE REPRODUCED OR COPIED OR USED IN WHOLE OR IN PART AS THE BASIS FOR THE MANUFACTURE OR SALE OF ITEMS WITHOUT WRITTEN PERMISSION. COPYRIGHT © 1977 DIGITAL EQUIPMENT CORPORATION"

1-0-1268W DCS 2



| REVISIONS | | |
|-----------|------------|------|
| CHK | CHANGE NO. | REV. |
| | | |
| | | |

TITLE SLAVE CLOCK AND MOTION DELAY
 SIZE CODE DCS NUMBER M8931-0-1 REV. A
 SCALE SHEET 3 OF 3 DIST.

REV. A
NUMBER M8931-0-1
D.C.S.