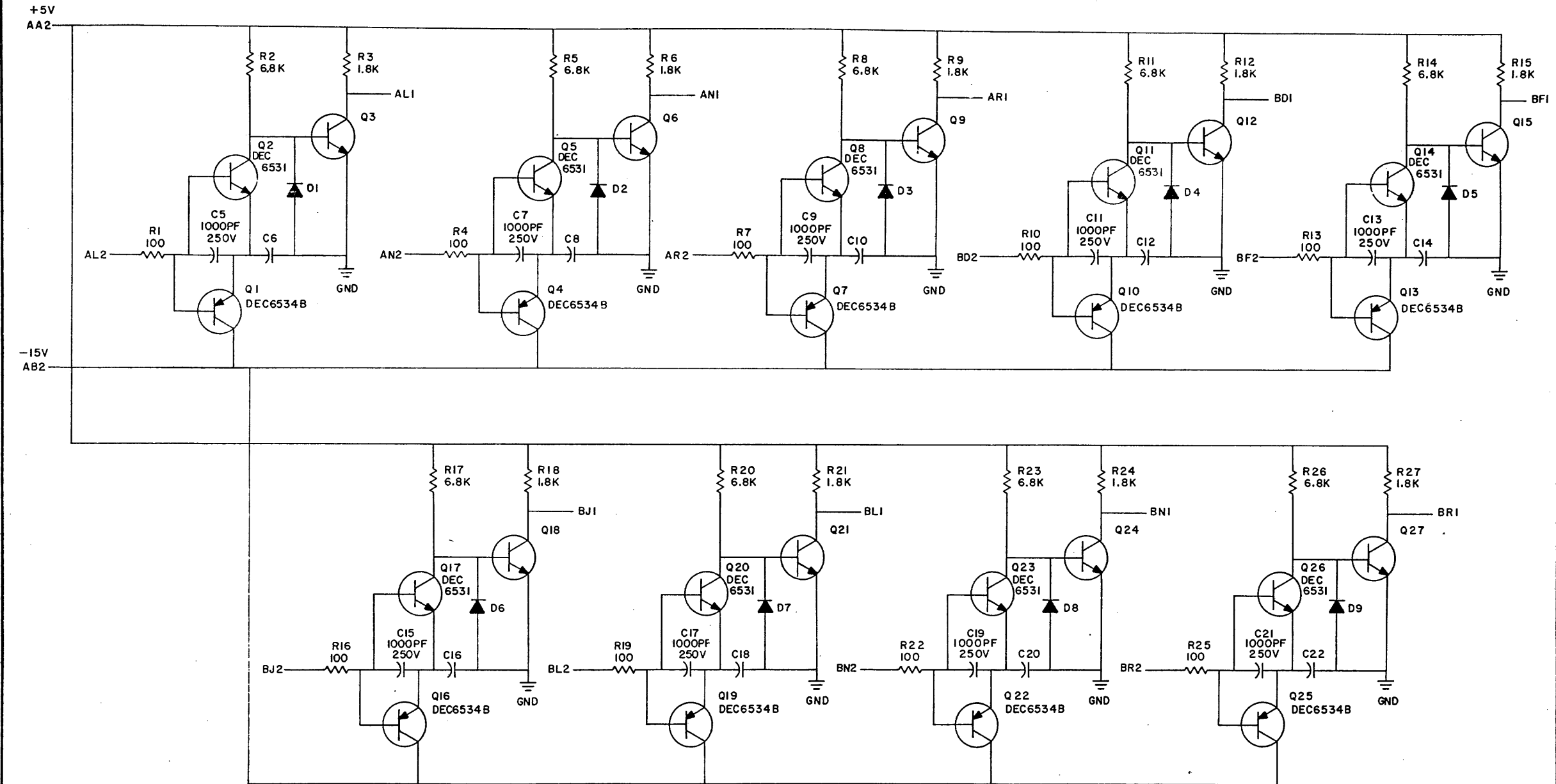
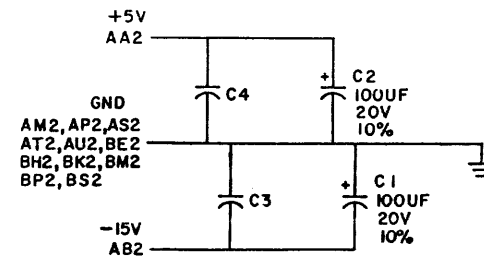


THIS SCHEMATIC IS FURNISHED ONLY FOR TEST AND MAINTENANCE PURPOSES. THE CIRCUITS ARE PROPRIETARY IN NATURE AND SHOULD BE TREATED ACCORDINGLY. COPYRIGHT 1970 BY DIGITAL EQUIPMENT CORPORATION



UNLESS OTHERWISE INDICATED:
 RESISTORS ARE 1/4W, 5%
 CAPACITORS ARE .01UF, 100V, 20%
 TRANSISTORS ARE DEC 3009B
 DIODES ARE D664



REV.	CHK	CHG	NO.	REV.
1			0001	B
2			0002	C
3			0003	D

DRN	J. Cooper	DATE	11/17/70
CHK'D		DATE	11/17/70
ENG.	J. Cooper	DATE	
PROD.		DATE	

TRANSISTOR & DIODE CONVERSION CHART			
DEC	EIA	DEC	EIA
DEC6534B	MPS6534	D664	1N3606
DEC6531	MPS6531		
DEC3009B	2N3009B		

digital		EQUIPMENT CORPORATION		MAYNARD, MASSACHUSETTS	
TITLE: PEAK DETECTOR G062					
SIZE	CODE	NUMBER	REV.		
C	CS	G062-0-1	D		
PRINTED CIRCUIT REV. 0					

REV. D
 NUMBER G062-0-1
 SIZE CODE C CS

DIS 321,434,435 5 PINK