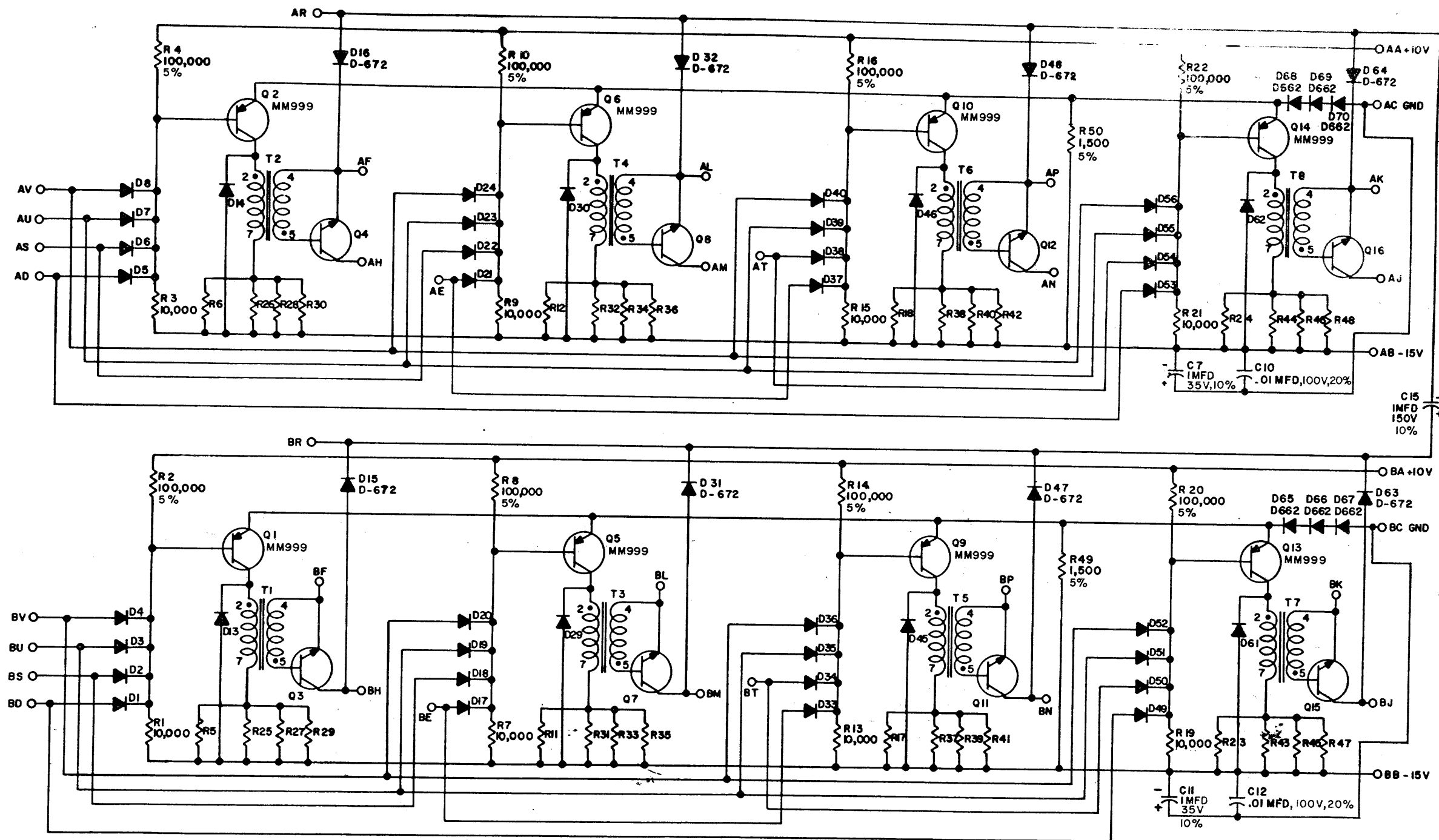


THIS SCHEMATIC IS FURNISHED ONLY FOR TEST AND MAINTENANCE PURPOSES. THE CIRCUITS ARE PROPRIETARY IN NATURE AND SHOULD BE TREATED ACCORDINGLY. COPYRIGHT 1966 BY DIGITAL EQUIPMENT CORPORATION



UNLESS OTHERWISE INDICATED:  
TRANSFORMERS ARE T-2071  
TRANSISTORS ARE DEC 1011

RESISTORS ARE 1/4 W, 10%  
DIODES ARE D-664  
RESISTORS ARE 1200

USE THE ETCH BOARD OF THE G209

PARTS LIST A-PL-G219-0-0

| REV. | CHK | CHG | NO. | REV. |
|------|-----|-----|-----|------|
| 1    | 1   | 1   | 1   | 1    |
| 2    | 1   | 1   | 1   | 1    |
| 3    | 1   | 1   | 1   | 1    |
| 4    | 1   | 1   | 1   | 1    |
| 5    | 1   | 1   | 1   | 1    |
| 6    | 1   | 1   | 1   | 1    |
| 7    | 1   | 1   | 1   | 1    |
| 8    | 1   | 1   | 1   | 1    |
| 9    | 1   | 1   | 1   | 1    |
| 10   | 1   | 1   | 1   | 1    |
| 11   | 1   | 1   | 1   | 1    |
| 12   | 1   | 1   | 1   | 1    |
| 13   | 1   | 1   | 1   | 1    |
| 14   | 1   | 1   | 1   | 1    |
| 15   | 1   | 1   | 1   | 1    |
| 16   | 1   | 1   | 1   | 1    |
| 17   | 1   | 1   | 1   | 1    |
| 18   | 1   | 1   | 1   | 1    |
| 19   | 1   | 1   | 1   | 1    |
| 20   | 1   | 1   | 1   | 1    |

| DATE     | BY  | DATE     | BY  |
|----------|-----|----------|-----|
| 12/16/66 | ... | 12/16/66 | ... |
| 12/16/66 | ... | 12/16/66 | ... |
| 12/16/66 | ... | 12/16/66 | ... |
| 12/16/66 | ... | 12/16/66 | ... |

| TRANSISTOR & DIODE CONVERSION CHART |        |     |     |
|-------------------------------------|--------|-----|-----|
| DEC                                 | EIA    | DEC | EIA |
| DEC1011                             | NONE   |     |     |
| MM999                               | SAME   |     |     |
| D662                                | IN645  |     |     |
| D664                                | IN3606 |     |     |
| D672                                | IN3653 |     |     |

**digital**  
EQUIPMENT CORPORATION  
MAYNARD, MASSACHUSETTS

| TITLE                |      |          |      |
|----------------------|------|----------|------|
| SIZE                 | CODE | NUMBER   | REV. |
| C                    | CS   | G219-0-1 | R    |
| PRINTED CIRCUIT REV. |      |          | H    |