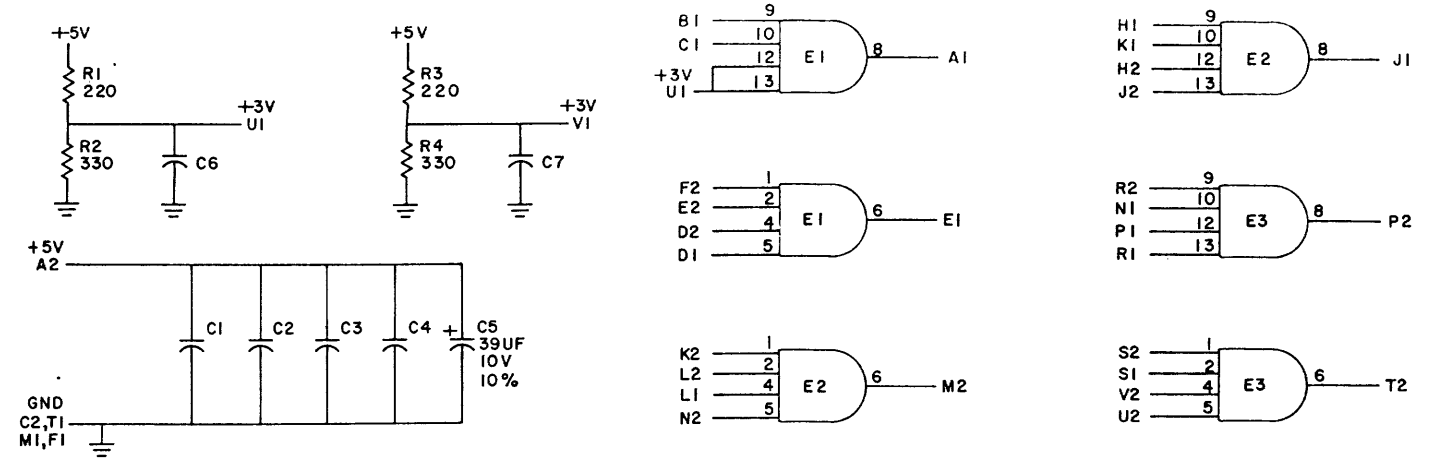
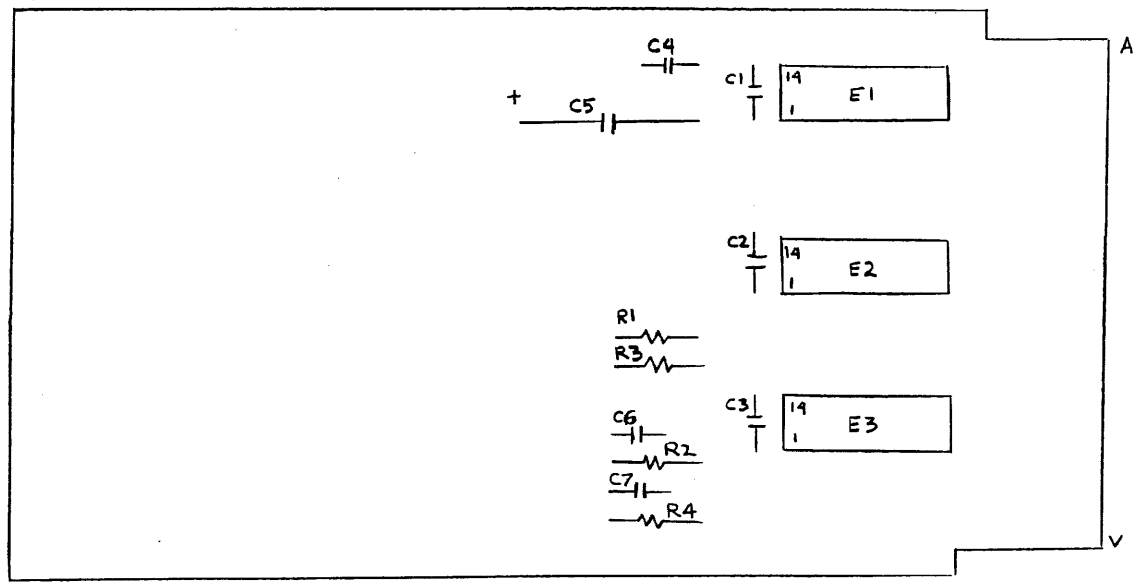


THIS SCHEMATIC IS FURNISHED ONLY FOR TEST AND MAINTENANCE PURPOSES. THE CIRCUITS ARE PROPRIETARY IN NATURE AND SHOULD BE TREATED ACCORDINGLY. COPYRIGHT 1970 BY DIGITAL EQUIPMENT CORPORATION



UNLESS OTHERWISE INDICATED:  
 RESISTORS ARE 1/4 W, 5%  
 CAPACITORS ARE .01UF, 100V, 20 %  
 IC'S ARE DEC1074H21  
 PIN 7 = GND ON EACH IC  
 PIN 14 = +5V



ITEM NO.	DEC PART NO.	DESCRIPTION	QTY.
11	9008337-06	HANDLE, FLIP CHIP - MAGENTA	1
10	9006732	EYELET #GS 4-7	2
9	1910467	I.C. DEC1074H21	3
8	1300295	RES. 330, 1/4W, 5%	2
7	1300271	RES. 220, 1/4W, 5%	2
6	1001610	CAP. .01UF, 100V, 20%	6
5	1000076	CAP. 39UF, 10V, 10%	1
4	5009330	ETCHED CIRCUIT BOARD	1
3	B-MH-M177-0-6	MODULE ECO HISTORY	
2	C-AH-M177-0-5	ASSY/DRILLING HOLE LAYOUT	
1	K-CO-M177-0-4	X-Y COORDINATE HOLE LOCATION	

REV.	CHG NO.	REV.	DATE
1	00001	A	

DRY  
 CHK'D  
 ENG  
 PROD

TRANSISTOR & DIODE CONVERSION CHART			
DEC	EIA	DEC	EIA

**digital**  
 EQUIPMENT CORPORATION  
 MAYNARD, MASSACHUSETTS

TITLE FIVE  
 4 INPUT AND GATES M177  
 SIZE CODE NUMBER REV.  
 C CS M177-0-1 A  
 PRINTED CIRCUIT REV A

REV. A  
 NUMBER  
 M177-0-1  
 SIZE CODE  
 C CS

*Print*