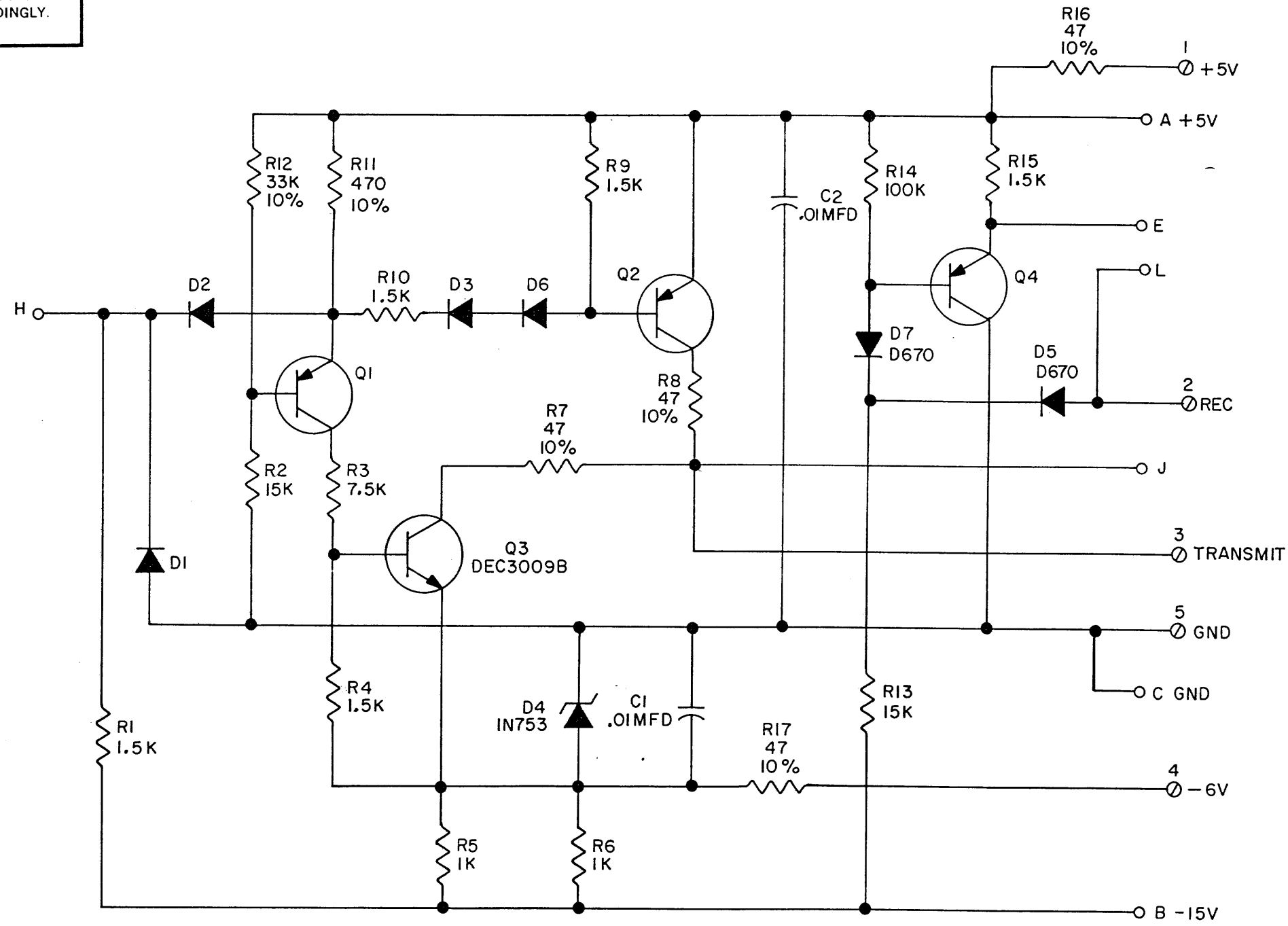


THIS SCHEMATIC IS FURNISHED ONLY FOR TEST AND MAINTENANCE PURPOSES. THE CIRCUITS ARE PROPRIETARY IN NATURE AND SHOULD BE TREATED ACCORDINGLY. COPYRIGHT 1969 BY DIGITAL EQUIPMENT CORPORATION



UNLESS OTHERWISE INDICATED:
 Ⓞ ARE SPLIT LUGS
 RESISTORS ARE 1/4W, 5%
 DIODES ARE D664
 TRANSISTORS ARE DEC6534B

REVISIONS	CHK	CHG NO.	REV.		
	ADM	00001	A		
DRN.	DATE	TRANSISTOR & DIODE CONVERSION CHART		<p>digital EQUIPMENT CORPORATION MAYNARD, MASSACHUSETTS</p>	TITLE CONVERTER AND CABLE CONNECTOR M850
BYTLEB	6/2/69	DEC	EIA		
CHK'D	DATE	DEC	EIA		
M. W. ...	6/3/69	DEC6534B	MPS6534		
ENG.	DATE	DEC3009B	2N3009		
PROD.	DATE	D664	IN3606		
		D670	IN3653		
SIZE B CODE CS NUMBER M850-0-1 REV. A PRINTED CIRCUIT REV. A					