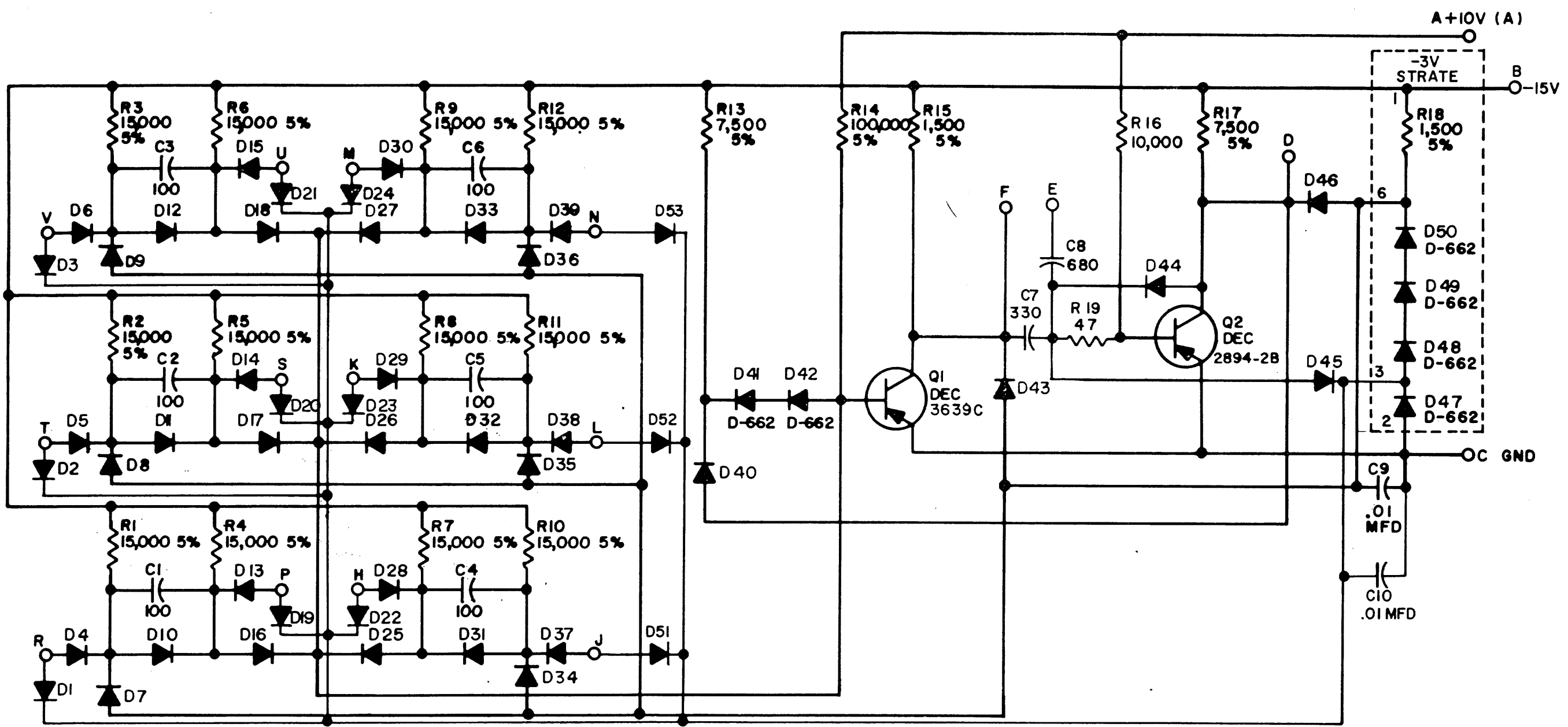


THIS SCHEMATIC IS FURNISHED ONLY FOR TEST AND MAINTENANCE PURPOSES. THE CIRCUITS ARE PROPRIETARY IN NATURE AND SHOULD BE TREATED ACCORDINGLY. COPYRIGHT 1964 BY DIGITAL EQUIPMENT CORPORATION



UNLESS OTHERWISE INDICATED:
 RESISTORS ARE 1/4W, 10%
 CAPACITORS ARE MMFD
 DIODES ARE D-664



REVISIONS CHK CHG NO. REV. 8 DAW 5288 REV. 16 REDR. L 6333 M 6429 N 6556 P	DRN. A. OUELLETTE	DATE 8-19-64	TRANSISTOR & DIODE CONVERSION CHART		digital EQUIPMENT CORPORATION MAYNARD, MASSACHUSETTS	TITLE PULSE AMPLIFIER R601			
	CHK'D N. PERRYMAN	DATE 9-4-64	DEC	EIA		SIZE B	CODE CS	NUMBER R601-0-1	REV. P
	ENG. B. SCUDNEY	DATE 9-4-64	DEC2894-2B	NONE					
	PROD.	DATE	DEC3639C	2N3639					
			D662	IN645					
			D664	IN3606					
						PRINTED CIRCUIT REV. F H			