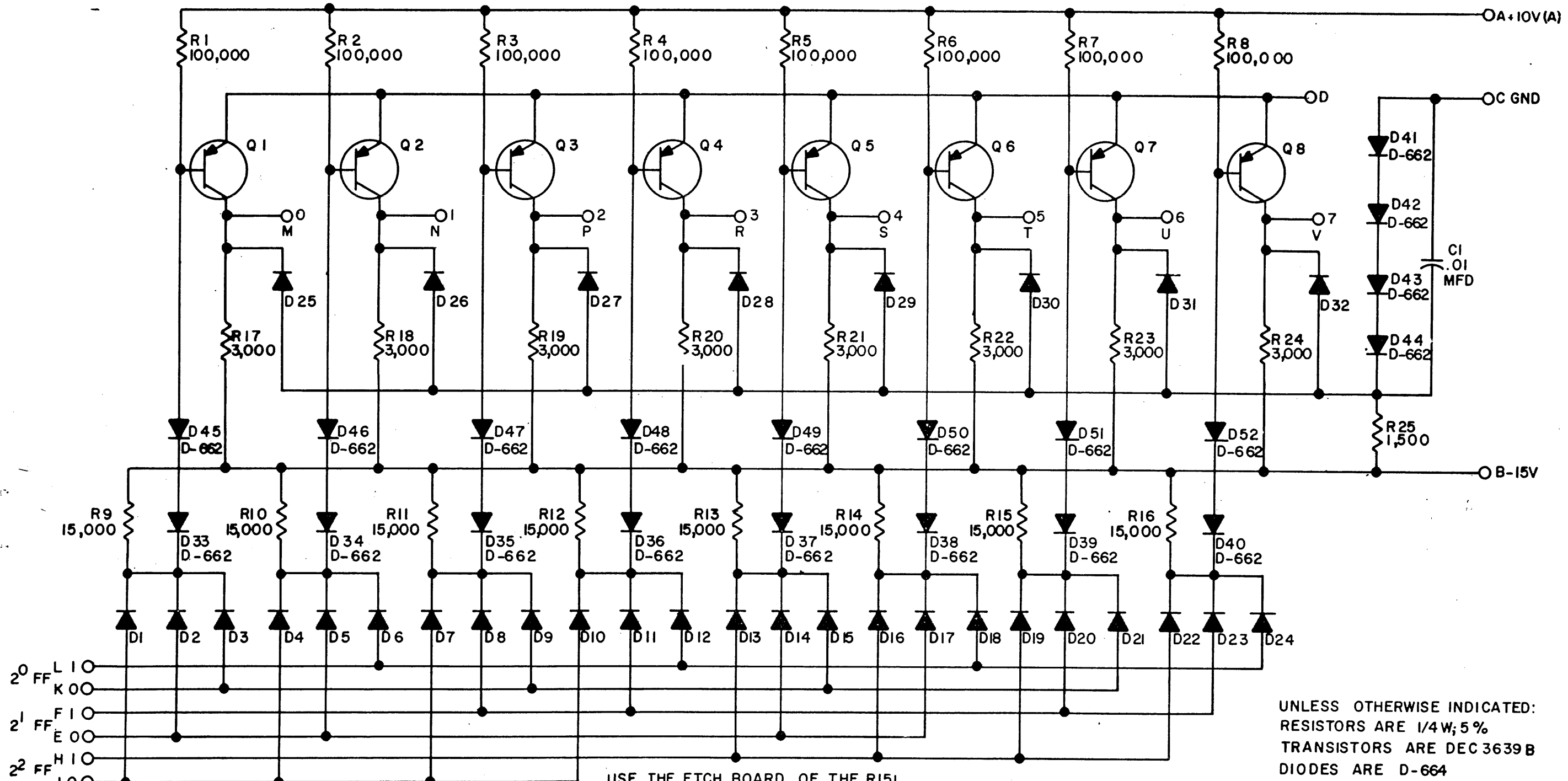




REV. C	NUMBER S151-0-1	SIZE B	CODE CS
--------	-----------------	--------	---------

THIS SCHEMATIC IS FURNISHED ONLY FOR TEST AND MAINTENANCE PURPOSES. THE CIRCUITS ARE PROPRIETARY IN NATURE AND SHOULD BE TREATED ACCORDINGLY. COPYRIGHT 1965 BY DIGITAL EQUIPMENT CORPORATION



UNLESS OTHERWISE INDICATED:
RESISTORS ARE 1/4W; 5%
TRANSISTORS ARE DEC 3639B
DIODES ARE D-664

USE THE ETCH BOARD OF THE R151

REVISIONS	CHK CHG NO. REV.	
	REV. & REDR	B
	REV. NO.	6808
	REV. NO.	6854

DRN. I. HAHN	DATE 6-11-65
CHK'D R. SILVERMAN	DATE 6-18-65
ENG. R. SOGGE	DATE 6-18-65
PROD.	DATE

TRANSISTOR & DIODE CONVERSION CHART			
DEC	EIA	DEC	EIA
DEC3639B	2N3639		
D662	1N645		
D664	1N3806		

digital
EQUIPMENT CORPORATION
MAYNARD, MASSACHUSETTS

TITLE BINARY TO OCTAL DECODER S151			
SIZE B	CODE CS	NUMBER S151-0-1	REV. C
PRINTED CIRCUIT REV.			BCD



PINK

DIST.	324	434	435
-------	-----	-----	-----