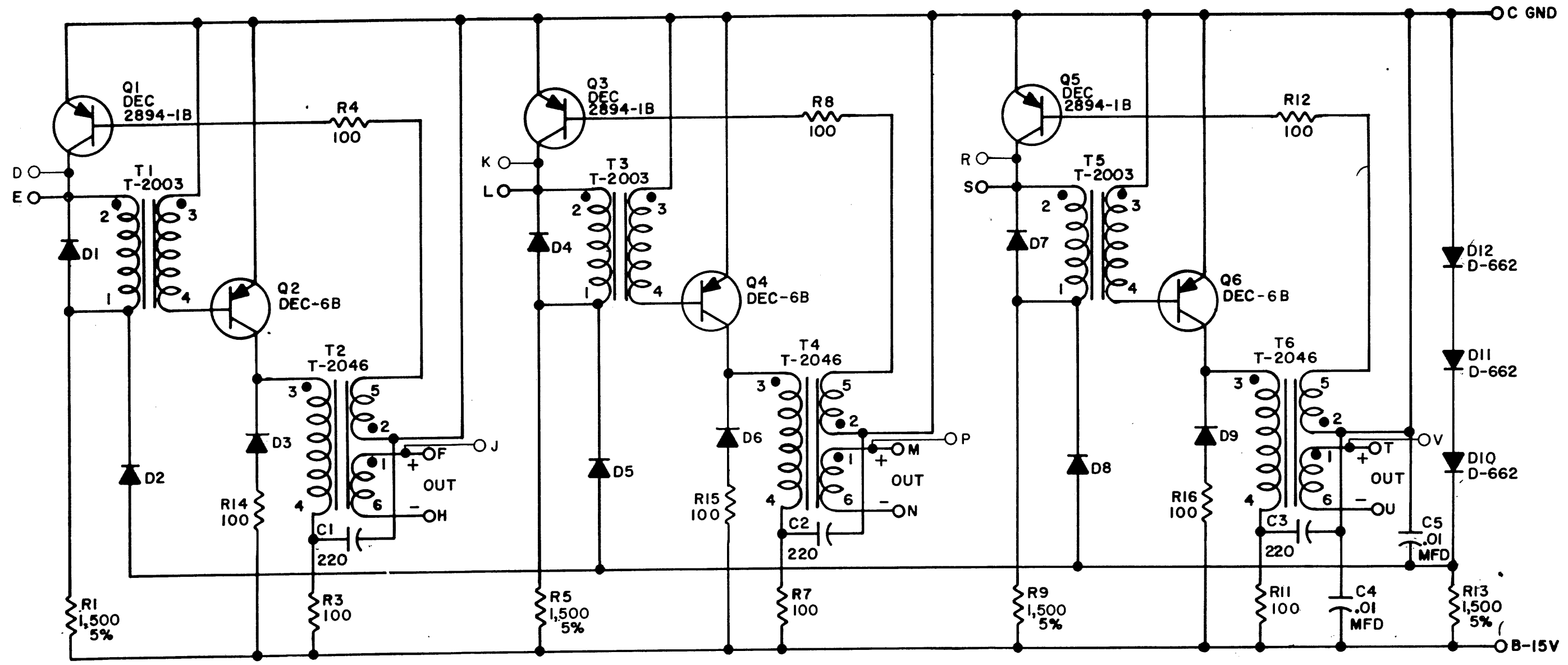


THIS SCHEMATIC IS FURNISHED ONLY FOR TEST AND MAINTENANCE PURPOSES. THE CIRCUITS ARE PROPRIETARY IN NATURE AND SHOULD BE TREATED ACCORDINGLY. COPYRIGHT 1964 BY DIGITAL EQUIPMENT CORPORATION



UNLESS OTHERWISE INDICATED:  
RESISTORS ARE 1/4W; 10%  
CAPACITORS ARE MMFD  
DIODES ARE D-664



PARTS LIST A-PL-W607-0-0

REVISIONS	CHK NO.	REV.	DRN.	DATE	TRANSISTOR & DIODE CONVERSION CHART				digital EQUIPMENT CORPORATION MAYNARD, MASSACHUSETTS	TITLE			
	5483	4	A. OUELLETTE	7-29-64	DEC	EIA	DEC	EIA		PULSE AMPLIFIER W607			
	REV. 5583	E	N. PERRYMAN	7-29-64	DEC2894-1B	NONE				SIZE	CODE	NUMBER	REV.
	REV. 5724	F	R. BANK	7-29-64	DEC-6B	NONE				B	CS	W607-0-1	H
	REV. 7171	H	PROD.	DATE	D662	IN645			PRINTED CIRCUIT REV. D				
					D664	IN3606			DIST. 324/434/435				