

B-DD-5414387-0	ROM EXPANDER BOARD
D-UA-5414387-0	ROM EXPANDER BOARD
K-PL-5414387-0-DBP	ROM EXPANDER BOARD
D-CS-5414387-0	ROM EXPANDER BOARD
B-PL-7017627-0-0	LA34/LA38 USER KIT ASSY

TITLE	SIZE CODE	NUMBER	REV
LA34 UNIT ASSEMBLY	B TC	LA34-0-1	C
SHEET 2 OF 2			

"THIS DRAWING AND SPECIFICATIONS, HEREIN, ARE THE PROPERTY OF DIGITAL EQUIPMENT CORPORATION AND SHALL NOT BE REPRODUCED OR COPIED OR USED IN WHOLE OR IN PART AS THE BASIS FOR THE MANUFACTURE OR SALE OF ITEMS WITHOUT WRITTEN PERMISSION. COPYRIGHT © 1978 DIGITAL EQUIPMENT CORPORATION"

1
LA34 UNIT ASSY.
E-UA-LA34-0-0
B-PL-LA34-0-0

2
PRINTER MECH/COVER ASSY.
E-AD-7015724-0-0
B-PL-7015724-0-0

21
PACKAGING INSTRUCTIONS
A-SP-3700392-0-0

22
LA34 OPTIONS
LAX34-0-0

3
KEYBOARD BEZEL ASSY.
D-AD-7015730-0-0

7
PRINTER MECH. ASSY.
E-UA-7015729-0-0
B-PL-7015729-0-0

12
SERVO MOTOR/ENCODER ASSY.
D-AD-7015737-0-0

16
FRICTION ASSY.
D-AD-7015733-0-0

4
KEYBOARD/KEYCAP ASSY.
D-AD-7015514-0-0

8
PLATE SIDE ASSY. (LEFT HAND)
D-AD-7015732-0-0

13
GEAR/PULLEY CLUSTER ASSY.
B-IA-7015744-0-0

17
BAIL BAR ASSY.
C-AD-7015738-0-0

5
SPACER BAR ASSY.
D-AD-7015050-0-0

9
PLATE SIDE ASSY. (RIGHT HAND)
D-AD-7015731-0-0

14
CARRIAGE ASSY.
D-AD-7015734-0-0

18
PLATEN ASSY.
C-AD-7015727-0-0

6
KEYBOARD MODULE ASSY.
B-DD-5413284-0

10
POWER SUPPLY H7834
B-DD-H7834-0

15
PULLEY IDLER ASSY.
C-AD-7015735-0-0

19
LA34 LOGIC BOARD
B-DD-5413374-0

11
LA34 PRINT HEAD ASSY
B-DD-7015490-0

25
USERS KIT ASSY
B-PL-7017627-0-0

20
PRINTHEAD ADJ. ASSY.
B-IA-7016303-0-0

23
LA34 CONTROL BOARD
B-DD-5413747-0

24
ROM EXPANDER BOARD
B-DD-5414387-0

J	LA34-PN071	28
Skinner	17 MAR 80	
J. BITTO		
M. Bink	25 Nov 80	
K	LA34-PN072	28
Skinner	7 MAY 80	
J. BITTO		
J. BITTO	(E.S.) 29 May 80	
L	LA34-PN075	28
Buckner	21 Oct 80	
J. BITTO		
E.S. Neal	12 Nov 80	
M	7015737-PN5A	28
L. Gilbert	24 Nov 80	
J. BITTO		
E.S. Neal	24 Nov 80	

TITLE	LA34 UNIT ASSY.	SHEET 2 OF 6	SIZE CODE	B DD	NUMBER	LA34-0	REV	M
-------	-----------------	--------------	-----------	------	--------	--------	-----	---

FIND NO.	DRAWING NO.	DESCRIPTION	TYPE	FIND NO.	DRAWING NO.	DESCRIPTION	TYPE
1	MP00695	LA34 PRINT SET ORDER NO. (MP)	-		A-SP-7015490-0-1	LA34 PRINT HEAD (REF)	E/M
	B-TC-LA34-0-1	LA34 FIELD MAINTENANCE PRINT SET (TC)	-				
	E-UA-LA34-0-0	LA34 UNIT ASSY	M				
	B-PL-LA34-0-0	LA34 UNIT ASSY (PL)	M				
	D-IC-LA34-0-2	INTERCONNECTION DIAGRAM	F				
	1700683-0-0	CORD, A.C. PWR	E/M	3	D-AD-7015730-0-0	KEYBOARD BEZEL ASSY.	M
	3616153-0-0	LABEL, 230V A.C. 50/60 HZ	M		1215297-0-0	BEZEL, KEYBOARD	M
	B-PL-LA34-0	LA34 SHIPPING LIST	-		1215053-0-0	CLOSURE, OPTION	M
	3611448-0-0	LABEL, WARNING A.C. CORD	M		1215295-0-0	PLUG, KEY SWITCH	M
	3616157-0-0	LABEL, CORRECT VOLTAGE SETTING	M		3615450-0-0	LEGEND STRIP	M
	A-SP-LA34-0-3	BASIC LA34 PRINT QUALITY SPEC	M				
	3612520-0-0	TAG, HANG, CAUTION	M				
	A-SP-LA34-0-4	BASIC LA34 PRODUCT SPECIFICATION	E/M				
	A-SP-LA34-0-12	LA34-JA KATA-KANA PRODUCT SPECIFICATION	-				
				4	D-AD-7015514-0-0	KEYBOARD/KEYCAP ASSY.	E/M
					C-MD-7420120-0-0	CLIP, EQUALIZER	M
					C-IA-7015741-0-0	CABLE, KEYBOARD ASSY.	E/M
					1214333-0-0	CAPS, KEY SET	M
					1214332-0-0	ADAPTER, KEY CAP	M
	A-SP-LA34-0-11	LA34 SPECIFICATIONS & VERIFICATION PROCEDURE	M				
				5	D-AD-7015050-0-0	SPACER BAR ASSY	M
					B-MD-7420119-0-0	BRACKET, SPACER BAR	M
					1211857-0-0	BAR, SPACE	M
					1211858-0-0	BAR, EQUALIZER	M
					1211860-0-0	ADAPTER, SPACE BAR	M
2	E-AD-7015724-0-0	PRINTER MECH./COVER ASSY	E/M				
	B-PL-7015724-0-0	PRINTER MECH./COVER ASSY (PL)	E/M				
	C-IA-7015386-0-0	CABLE ASSY EIA	E/M	6	B-DD-5413284-0	KEYBOARD MODULE ASSY	E/M
	B-IA-7016304-0-0	MAGNET	M				
	1215296-0-0	BASE, HOUSING	M				
	1215292-0-0	INSERT, REAR	M				
	1215451-0-0	PLUG, BUTTON	M				
	3616153-0-0	LABEL, PWR REQUIREMENTS	M				
	1215291-0-0	COVER, HOUSING	M				
	1215651-0-0	PLUG, TRACTOR	M				
	1215293-0-0	GUIDE, PAPER EDGE	M				
	1215299-0-0	BEZEL, TOP	M				
	1215298-0-0	COVER, ACCESS	M				
	3615634-0-0	LABEL, COLUMN INDICATOR	M				
	3616155-0-0	LABEL, RIBBON CARTRIDGE SWITCH	M				
	1215719-0-0	WINDOW, SAFETY	M				
	1215479-0-0	LOGO	M				

TYPE: E ELECTRICAL
M MECHANICAL
E/M ELECTRO/MECHANICAL

digital

TITLE

LA34 UNIT ASSY.

SHEET 3 OF 6

SIZE CODE
B DD

NUMBER
LA34-0

REV
M

FIND NO.	DRAWING NO.	DESCRIPTION	TYPE	FIND NO.	DRAWING NO.	DESCRIPTION	TYPE
19	B-DD-5413374-0	LA34 LOGIC BOARD	E/M				
20	B-IA-7016303-0-0 1216035-0-0 B-MN-7431763-0-0	PRINT HEAD ADJ. ASSY SLIDE, HD. ADJUSTMENT LEVER, HD. ADJ.	M M M				
21	A-SP-3700392-0-0	INSTRUCTIONS, PACKAGING	M				
22	LAX34-0-0 B-DD-LAX34-AL B-DD-LAX34-CL B-DD-LAX34-KL B-DD-LAX34-LL B-DD-LAX34-ML B-DD-LAX34-PL B-DD-LAX34-RL B-DD-LAX34-SL B-DD-LAX34-SN B-DD-LAX34-XL B-DD-LAX34-UP B-DD-LAX34-PC	OPTIONS LA34 TRACTOR OPTION 20 MA OPTION KEYPAD PAPER LOW OPTION MODEM/DAA OPTION PAPER OUT SWITCH KIT ROLL PAPER HOLDER STAND LA34/LA38 HARDWARE KIT FOR LAX34-SL EXTENDED LOGIC UPGRADE KIT PAPER CATCHER	E/M E/M E/M E/M E/M E/M E/M E/M E/M E/M E/M E/M E/M M				
23	B-DD-5413747-0-0	LA34 CONTROL BOARD	E/M				
24	B-DD-5414387-0-0 D-IA-7C-1370-0-0	ROM EXPANDER BOARD CABLE ASSEMBLY					
25	B-PL-7017627-0-0	USERS KIT ASSY	M				

EN-01062-2C-16-R376(325)

TYPE: E ELECTRICAL
M MECHANICAL
E/M ELECTRO/MECHANICAL

digital

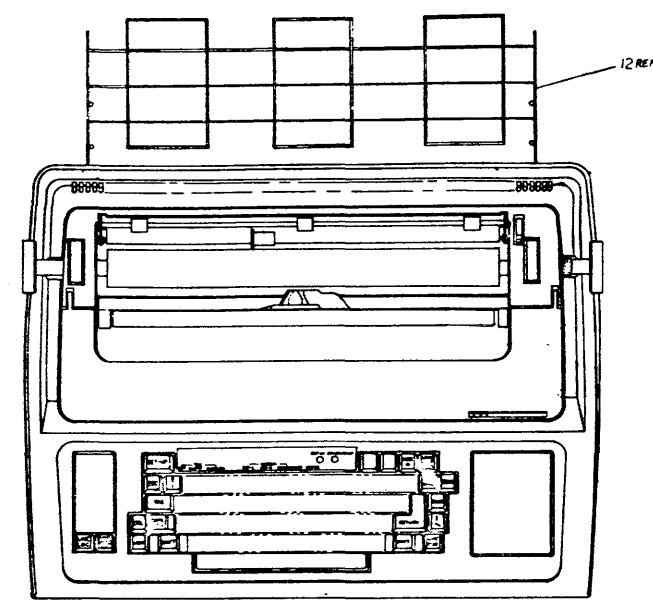
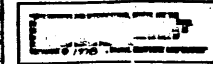
TITLE
LA34 UNIT ASSY.

SHEET 6 OF 6

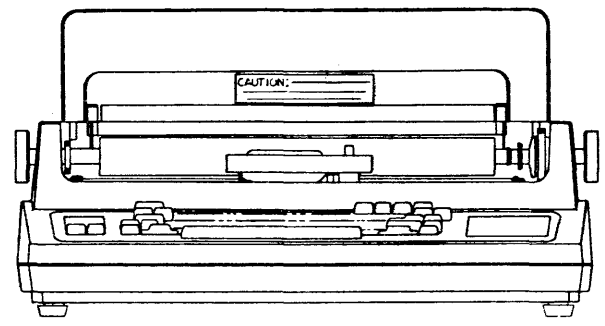
SIZE CODE
B DD

NUMBER
LA34-0

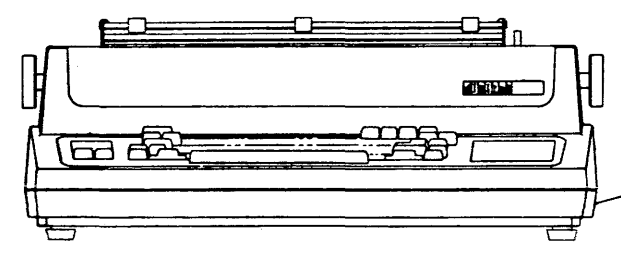
REV
M



TOP VIEW

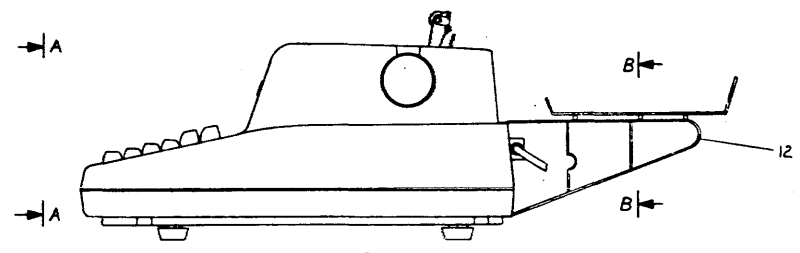


VIEW A-A
VIEW SHOWN WITH ACCESS COVER RAISED

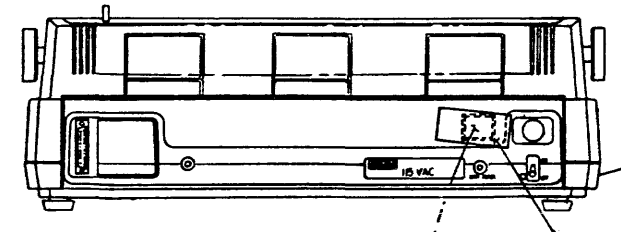


FRONT VIEW

11
OR
1
OR
13
OR
6
OR
14

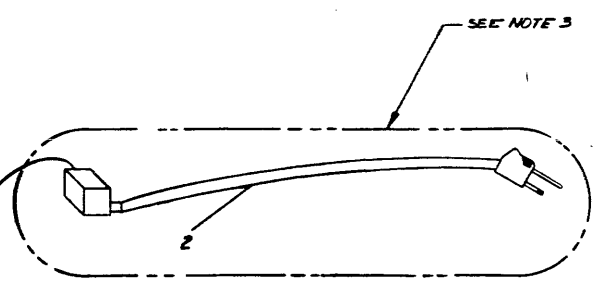


SIDE VIEW



VIEW B-B

11 REF
OR
1 REF
OR
13 REF
OR
6 REF
OR
14 REF



- NOTES:
1. FOR INTERCONNECTION DIAGRAM REFER TO D-IC-LA34-0-2.
 2. MOVE CARRIAGE TO LEFT HAND STOP. SECURE WITH CABLE TIE. ITEM #5 THE PRINTED CAUTION TAPE TIE (ITEM #2) SECURELY TO THE CABLE TIE.
 3. PLACE AC POWER CORD ITEM #2. POWER REQUIREMENT LABEL ITEM #10 AND FUSE, PART OF ITEM #1 IN SEPARATE PACKAGE PER PACKING INSTRUCTIONS ITEM 5.
 4. ITEM 12, PAPER CATCHER IS OPTIONAL.
 5. ITEM 15, FCC CARTON LABEL, IS REFERENCED ON THE PACKAGE INSTRUCTION, P/N 3700-192-0-0

1	LA34 - PHOTO A	
2	LA34 - PHOTO B	
3	LA34 - PHOTO C	
4	LA34 - PHOTO D	
5	LA34 - PHOTO E	
6	LA34 - PHOTO F	
7	LA34 - PHOTO G	
8	LA34 - PHOTO H	
9	LA34 - PHOTO I	
10	LA34 - PHOTO J	
11	LA34 - PHOTO K	
12	LA34 - PHOTO L	
13	LA34 - PHOTO M	
14	LA34 - PHOTO N	
15	LA34 - PHOTO O	

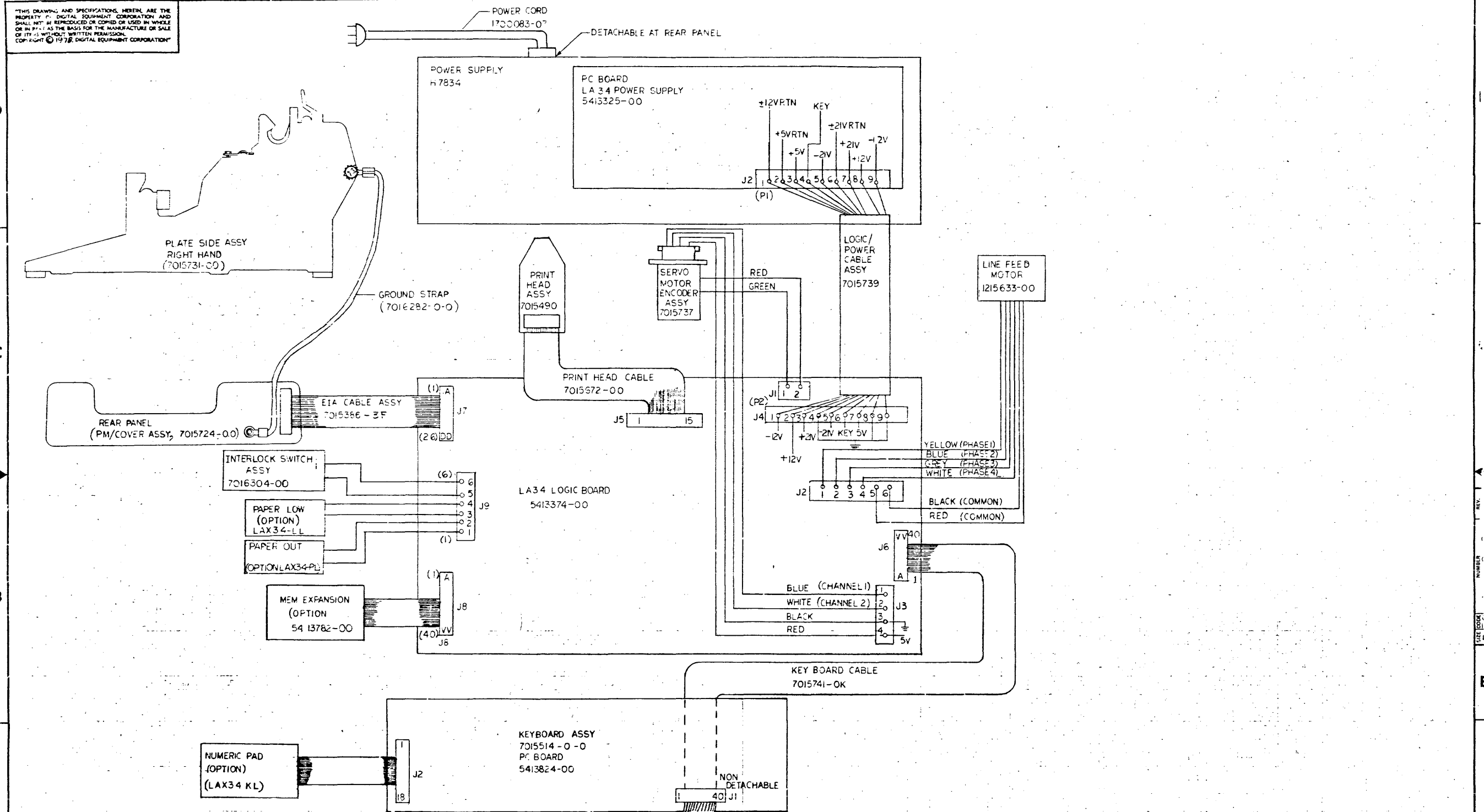
FOR PARTS LIST SEE K-PL-LA34-0-DBP

QUANTITY	DESCRIPTION	UNIT	REVISION
1	LA34 UNIT ASSY		

DATE	BY	CHKD	APP'D	TITLE
10/1/68	W. J.	LA34 UNIT ASSY

SCALE	1/2
SHEET	1 OF 1

THIS DRAWING AND SPECIFICATIONS HEREIN ARE THE PROPERTY OF DIGITAL EQUIPMENT CORPORATION AND SHALL NOT BE REPRODUCED OR COPIED OR USED IN WHOLE OR IN PART AS THE BASIS FOR THE MANUFACTURE OR SALE OF ANY EQUIPMENT WITHOUT WRITTEN PERMISSION. COPYRIGHT © 1978, DIGITAL EQUIPMENT CORPORATION



REV.	
CHK	CHANGE NO.
REVISED	

DRN. DESIGN REVIEW	2/2/78	FIRST USED ON	LA34	digital
CHK'D BY	6/8/77	TITLE	INTERCONNECTION DIAGRAM	
ENG. CHECKED	2/1/78	SCALE	NONE	
PROJ. ENG.	4/2/77	SHEET	1	OF 1
PROD. CHECK	2/1/77	DIST.		
NEXT HIGHER ASSY.		SIZE	D	CODE
E-LA-LA34-0-0		NUMBER	ICLA34-0-2	REV.

DRAWING NO.	NO. OF SHTS.	PART NO.	DESCRIPTION	REVISIONS																									
				A	B	C	D	E	F	G	H	I	J	K	L	M	N	O	P	Q	R	S	T	U	V	W	X	Y	Z
			MODULE REVISION	*	A	B	-	-	-	-	-	-	-	-	-	-	-	-	-	-	-	-	-	-	-	-	-	-	
B-DD-5413374-0	1		LA34 LOGIC BD.	*	A	B	C	D	E	F	G	H	I	J	K	L	M	N	P	R	S	T							
D-UA-5413374-0-0	3		LA34 LOGIC BD.	C	D	E	F	H	J	K	L	M	P	R	S	T	U	U											
D-CS-5413374-0-1	5		LA34 LOGIC BD.	C	D	E	F	F	H	J	K	L	M	P	R	S	T	U	V	W									
D-MD-5013373-0-0	4		DRILL & ETCH DRAWING	C	D	D	E	E	E	E	E	E	E	E	E	E	E	E	E	F	F								
		5013373	ETCHED BOARD	D	D	D	E	E	E	E	E	E	E	E	E	E	E	E	E	E									
K-PL-5413374-0-DBP	-		PARTS LIST DATA BASE(5413374)	C	D	E	F	H	J	K	L	M	N	P	R	S	T	U	V	V									
K-PC-5413374-0-DBC	-		P.C. DESIGN DATA BASE(5413374)	A	A	A	B	B	B	B	B	B	B	B	B	B	B	B	E	E	E								
D-CS-5013373-0-0	1		ETCH CUT DRAWING	-	-	-	-	-	-	-	-	-	-	-	-	-	-	-	-	-	-	A							

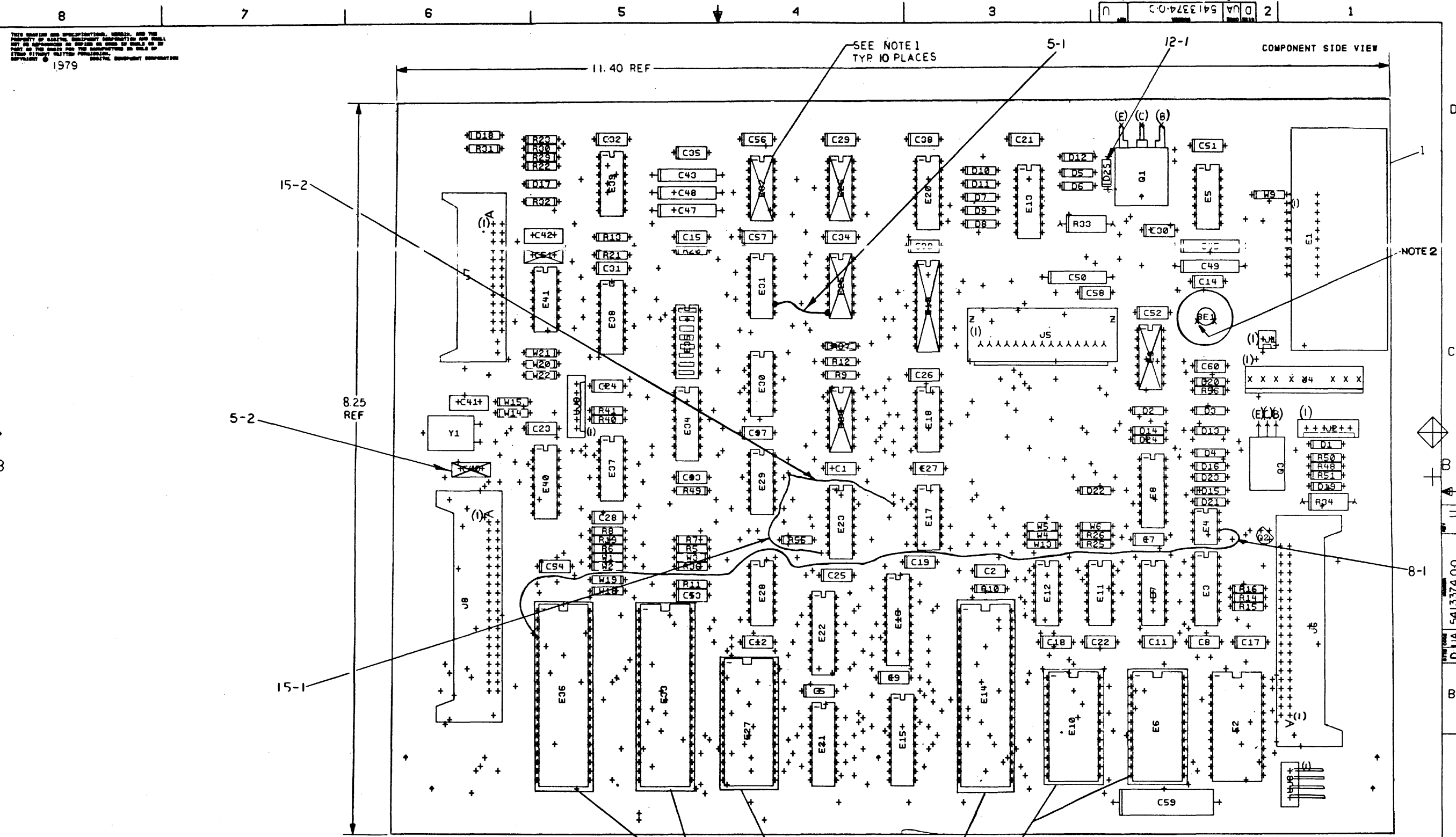
NOTES:

REVISIONS		DATE	CHG NO.	ORIG.	REV.	*	A	B	C	D	E	F	G	H	I	J	K	L	M	N	P	Q	R	S	T
		6/79		PN001																					
		1/79		PN002																					
		6/79		PN003																					
		6-79		PN004																					
		7-79		PN005																					
		11-79		PN006																					
		1-80		PN007																					
		2-80		PN008																					
		2-80		PN009																					
		3-80		PN010																					
		3-80		PN011																					
		4-80		PN012																					
		8-80		PN013																					
		10-80		PN014																					
		1-81		PN015																					
		4-81		PN016																					

"THIS DRAWING AND SPECIFICATIONS, HEREIN, ARE THE PROPERTY OF DIGITAL EQUIPMENT CORPORATION AND SHALL NOT BE REPRODUCED OR COPIED OR USED IN WHOLE OR IN PART AS THE BASIS FOR THE MANUFACTURE OR SALE OF ITEMS WITHOUT WRITTEN PERMISSION.
 COPYRIGHT © 1978 DIGITAL EQUIPMENT CORPORATION



USED ON OPTION/MODEL	LA34	DRN.	P. BOSSMAN	6/28/78	TITLE	LA34 LOGIC BOARD
		CHK'D	<i>J. Rossman</i>	29 JUN 78		
		ENG.	<i>J. Rossman</i>		SIZE	B DD
		PROD.	<i>W. Schick</i>	9/10/78	CODE	DD
					NUMBER	5413374-0
					REV.	T 3
					SHEET	1 OF 1



NOTES:
 (1) C61, R37, C40, E26, E24, E25, E32, E9 & E19 ARE NOT INSTALLED
 (2) INSTALL BE1 (BELL) WITH SHORT LEAD IN HOLE CLOSEST TO E9
 (3) W2, W3, W5, W19, W22, W22 ARE OPTIONAL JUMPERS

CHANGE NO	REV	DESCRIPTION
1	1	INITIAL DESIGN
2	1	REVISED FOR MANUFACTURING
3	1	REVISED FOR MANUFACTURING
4	1	REVISED FOR MANUFACTURING
5	1	REVISED FOR MANUFACTURING
6	1	REVISED FOR MANUFACTURING
7	1	REVISED FOR MANUFACTURING
8	1	REVISED FOR MANUFACTURING
9	1	REVISED FOR MANUFACTURING
10	1	REVISED FOR MANUFACTURING
11	1	REVISED FOR MANUFACTURING
12	1	REVISED FOR MANUFACTURING
13	1	REVISED FOR MANUFACTURING
14	1	REVISED FOR MANUFACTURING
15	1	REVISED FOR MANUFACTURING
16	1	REVISED FOR MANUFACTURING
17	1	REVISED FOR MANUFACTURING
18	1	REVISED FOR MANUFACTURING
19	1	REVISED FOR MANUFACTURING
20	1	REVISED FOR MANUFACTURING
21	1	REVISED FOR MANUFACTURING
22	1	REVISED FOR MANUFACTURING
23	1	REVISED FOR MANUFACTURING
24	1	REVISED FOR MANUFACTURING
25	1	REVISED FOR MANUFACTURING
26	1	REVISED FOR MANUFACTURING
27	1	REVISED FOR MANUFACTURING
28	1	REVISED FOR MANUFACTURING
29	1	REVISED FOR MANUFACTURING
30	1	REVISED FOR MANUFACTURING
31	1	REVISED FOR MANUFACTURING
32	1	REVISED FOR MANUFACTURING
33	1	REVISED FOR MANUFACTURING
34	1	REVISED FOR MANUFACTURING
35	1	REVISED FOR MANUFACTURING
36	1	REVISED FOR MANUFACTURING
37	1	REVISED FOR MANUFACTURING
38	1	REVISED FOR MANUFACTURING
39	1	REVISED FOR MANUFACTURING
40	1	REVISED FOR MANUFACTURING
41	1	REVISED FOR MANUFACTURING
42	1	REVISED FOR MANUFACTURING
43	1	REVISED FOR MANUFACTURING
44	1	REVISED FOR MANUFACTURING
45	1	REVISED FOR MANUFACTURING
46	1	REVISED FOR MANUFACTURING
47	1	REVISED FOR MANUFACTURING
48	1	REVISED FOR MANUFACTURING
49	1	REVISED FOR MANUFACTURING
50	1	REVISED FOR MANUFACTURING

ETCH REV. E-P1
 P.C. DESIGN DATA BASE REV. E1

SIGNATURES	DATE	digital
DRN. D. POWERS	2-15-79	
CHK'D. J. B. [Signature]	2/15/79	
ENG. [Signature]	2-16-79	
PROJ. ENG. [Signature]	2-16-79	
PROD. [Signature]	2-16-79	
SCALE 2:1		
SMT. 1 OF 4		
NEXT HIGHER ASSY. B-DD 5413374 0 0		
TITLE LA34 LOGIC BOARD		
SIZE CODE D UA 5413374 0 0		
NUMBER 1		
REV U		

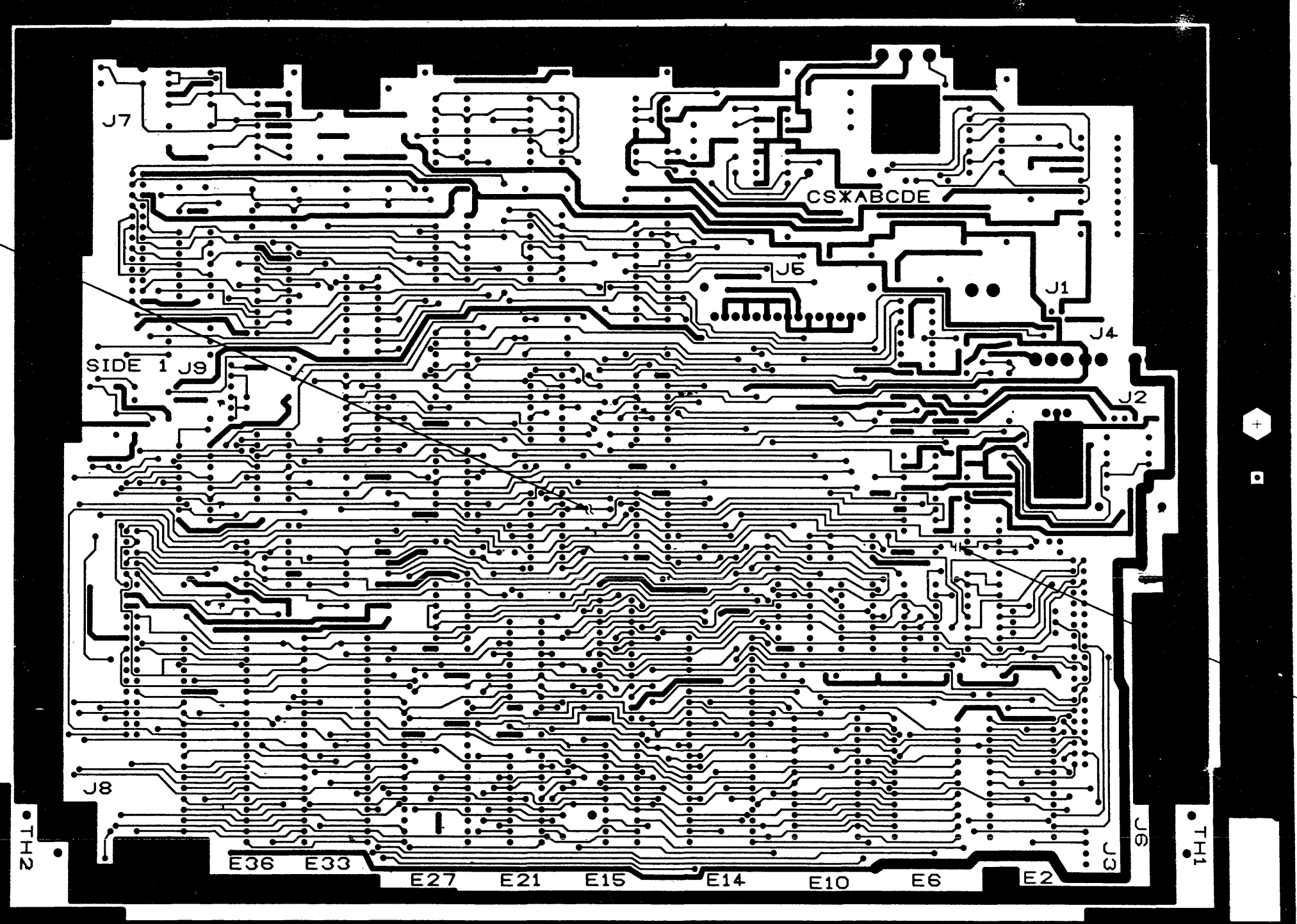
1 MS#

THIS DRAWING AND SPECIFICATIONS HEREIN ARE THE PROPERTY OF DIGITAL EQUIPMENT CORPORATION AND SHALL NOT BE REPRODUCED OR COPIED OR USED IN WHOLE OR IN PART AS THE BASIS FOR THE MANUFACTURE OR SALE OF ITEMS WITHOUT WRITTEN PERMISSION. COPYRIGHT © 1979 DIGITAL EQUIPMENT CORPORATION

5013373E - P1
5413374

D U A 5413374-0-0 2

L1



REVISIONS		
CHK	CHANGE NO	REV

TITLE	SIZE/CODE	NUMBER	REV.
LA34 LOGIC BOARD	D U A	5413374-0-0	U
SCALE 2:1	SHEET 2 OF 4	DIST.	

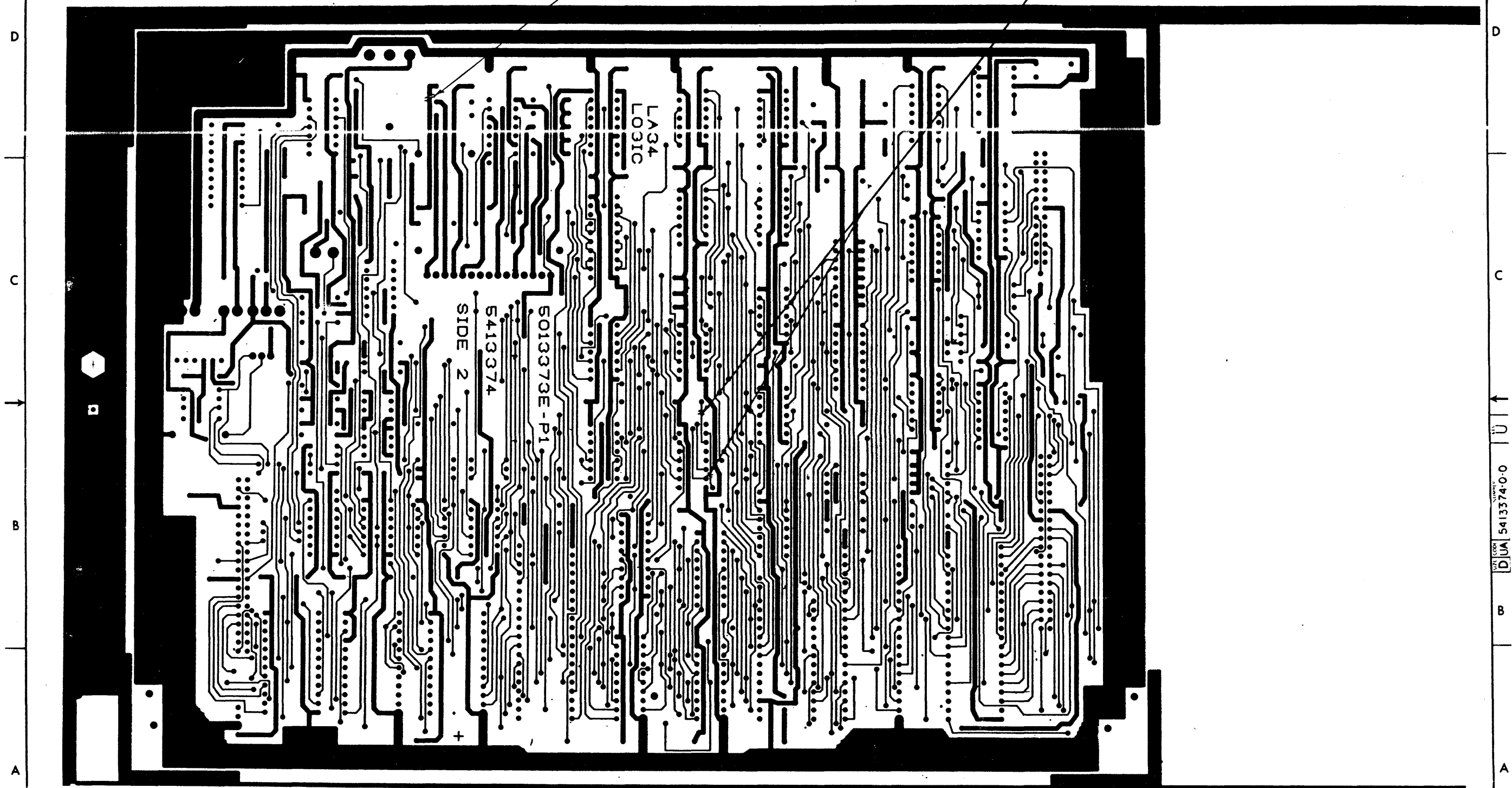
8 7 6 5 4 3 2 1

THIS DRAWING AND SPECIFICATIONS HEREIN ARE THE PROPERTY OF DIGITAL EQUIPMENT CORPORATION AND SHALL NOT BE REPRODUCED OR COPIED OR USED IN WHOLE OR IN PART AS THE BASIS FOR THE MANUFACTURE OR SALE OF ITEMS WITHOUT WRITTEN PERMISSION. COPYRIGHT © 1979 DIGITAL EQUIPMENT CORPORATION

L2

12-2

15-4



REVISIONS		
CHK	CHANGE NO	REV.

TITLE	LA34 LOGIC BOARD	SIZE CODE	DUA	NUMBER	5413374-0-0	REV.	U
SCALE	2:1	SHEET	3	OF	4	DIST.	

DUA 5413374-0-0

THIS DRAWING AND SPECIFICATIONS HEREIN ARE THE PROPERTY OF DIGITAL EQUIPMENT CORPORATION AND SHALL NOT BE REPRODUCED OR COPIED OR USED IN WHOLE OR IN PART AS THE BASIS FOR THE MANUFACTURE OR SALE OF ITEMS WITHOUT WRITTEN PERMISSION. COPYRIGHT © 1977 DIGITAL EQUIPMENT CORPORATION

0-0-723219 D 2

REWORK INSTRUCTIONS

ECO # 5

WIRE ADD SIDE 1
5-1 FROM DTH CONNECTED TO E31-9 TO E25-7

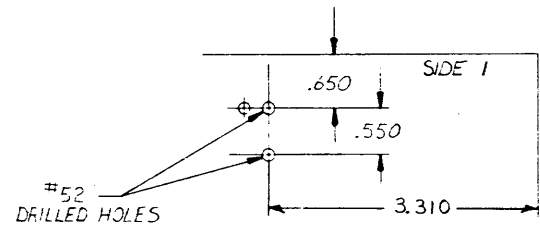
COMPONENT DELETE SIDE 1
5-2 C 40

ECO # 8

8-1 ADDITION OF ECO WIRE FROM E36-4 TO E4-6 -0: VARIATION ONLY.
8-2 ETCH CUT FROM E4-6 FOR 01 VARIATION ONLY

ECO # 12

12-1 DRILL TWO NUMBER 52 HOLES .550 INCHES APART IN THE HEAVY ETCH RUNNING FROM D12 ANODE TO THE 21 VOLT GROUND (DIAGRAM BELOW).



12-2 CUT THE ETCH BETWEEN D12 ANODE AND C50.

ECO # 15

WIRE ADD SIDE 1
15-1 ADD JUMPER WIRE FROM PTH BESIDE E29-12 TO PTH BESIDE E23-8.
15-2 ADD JUMPER WIRE FROM PTH BESIDE E29-12 TO PTH BESIDE E23-15.

ETCH CUT SIDE 1
15-3 CUT THE ETCH FROM E23-3 SO THAT THE ETCH CUT IS BETWEEN THE FIRST TWO FEED THRU HOLES IN THE ETCH RUN FROM PIN 3.

ETCH CUT SIDE 2
15-4 CUT ETCH AT E23-2 AND E23-3.

REVISIONS		
CHK	CHANGE NO.	REV.

TITLE	LA34 LOGIC BOARD	SIZE CODE	D UA	NUMBER	5413374-0-0	REV.	U
SCALE	1/8"	SHEET	4 OF 4	DIST.			

D/EI CORP. NUMBER 5413374-0-C

LINE	ITEM	DOCUMENT NUMBER	PART NUMBER	DESCRIPTION	QTY	PER	VARIATION	REFERENCE DESIGNATOR
					00	01		
1	1		5013373-00	LA34 LOGIC BOARD	1	1		
2	2		1000055-00	2200.0 MMF 250V 20% Y5S DISC	1	1		C42
3	3		1000079-00	47 MFD 20V 20% S.TANT	1	1		C59
4	4		1001614-00	.01 MFD 50V +80-20% 25U CER	39	39		C1,C2,C5,C7-C9,C11,C12,C14,C15, C17-C19,C21-C35,C37-C39,C51-C54, C56-C58,C60 C47-C49,C50,C45
5	5		1005306-00	6.8MFD 35V 10% S.TANT	5	5		
6	6		1005820-00	22.0 MMF 100V 5%200PPM MICA	1	1		C41
7	7		1005636-00	22 MFD 6V 10% S.TANT	1	1		C43
8	8		1105275-00	D 672 TR= 15NS PIV= 60V SI	5	5		D20-D24
9	9		1101938-00	1N 4370A VZ= 2.4 5% .40W	1	1		D18
10	10		1105796-00	1N 4004 PIV=400 I= 1A D041 SP	18	18		D1-D17,D19
11	11	USED FOR E33,E36	1215006-08	SOCKET 40PIN IC LOW PROFILE	2	2		
12	12	USED FOR E6,E10	1215006-06	SOCKET 24PIN IC LOW PROFILE	2	2		
13	13		1211164-04	SW,DIP 1P 1A 8POS	1	1		F35
14	14		1215323-02	CONN, 2POS POLARIZING & LO	1	1		J1
15	15		1215323-00	CONN, 6POS POLARIZING & LO	2	2		J2,J9
16	16		1215324-00	CONN 15POS GOLD PLATED	1	1		J5
17	17		1215699-00	HEADER 9POS STRAIGHT	1	1		J4
18	18		1215635-01	TRANSUCER,MINATURE AUDIO FOR LA	1	1		RE1
19	19		1215921-00	CONN, 4PIN WAFER,RIGHT ANG	1	1		J3
20	20		1209941-02	HEADER 100 40POS RT ANGLE	2	2		J6,J8
21	21		1209941-09	HEADER 26POS RT ANGLE RCPT	1	1		J7
22	22		1300247-00	120.0 .25 W 5.0 % CC	1	1		R31
23	23		1300295-00	330.0 .25 W 5.0 % CC	4	4		R14,R15,R5,R16
24	24		1300365-00	1.0 K .25 W 5.0 % CC	7	7		R36,R49,R19,R29,R40,R41,R55
25	25		1300415-00	2.20 K .50 W 5.0 % CC	1	1		R33
26	26		1300479-00	10.0 K .25 W 5.0 % CC	10	10		R10,R7,R6,R11,R12,R8,R22,R21, R13,R9
27	27		1300488-00	12.0 K .25 W 5.0 % CC	1	1		R32

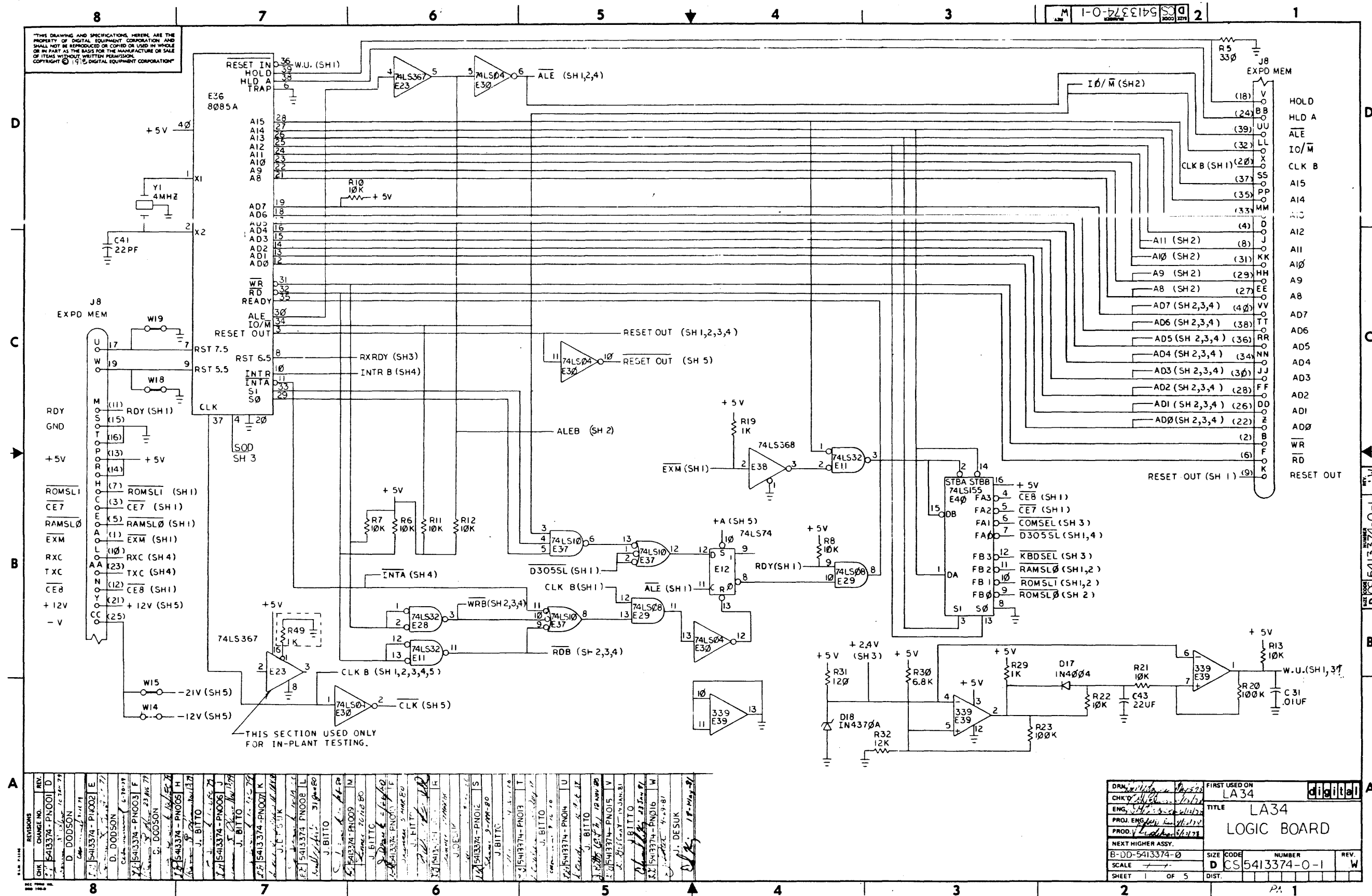
REVISION HISTORY		BASIC PART NO: 5413374		DRN:	J. LIZOTTE	DATE:	14-JUN-78	D I T I A I D	
ENG:	ECO NUMBER	REV	SECTION A OF A	CHK'D:	R. WONG	DATE:	05-JUL-78	TITLE	PARTS LIST
JJB	PN004	H	SECTION, VARIATION INDEX	DES. ENG:	D. DODSON	DATE:	05-JUL-78		
JJB	PN005	J	[A] 00,01	RESP. ENG.:	D. DODSON	DATE:	14-JUN-78		
JJB	PN006	K	[B]						
JJB	5413374-PN007	L	[C]						
JJB	5413374-PN008	M	[D]						
JJB	5413374-PN009	N	[E]						
JJB	5413374-PN010	P	[F]						
JJD	5413374-PN011	P	[H]						
JJB	5413374-PN012	S	[J]	MFG. ENG.:	L. MION	DATE:	05-JUL-78	SIZE: K	CODE: PL
JJB	5413374-PN012	S	[K]					NUMBER: 5413374-0-DBF	REV: U
JJB	5413374-PN013	T	[L]	ASSEMBLY NUMBER:		TOP DOCUMENT NUMBER:		FILE NAME:	EDI:
JJB	5413374-PN014	U	[M]	D-UA-RE13374-0-0		LA34		133740.PLS	28
			[N]						

"THIS DRAWING AND SPECIFICATIONS HEREIN, ARE THE PROPERTY OF DIGITAL EQUIPMENT CORPORATION AND SHALL NOT BE REPRODUCED OR COPIED OR USED IN WHOLE OR IN PART AS THE BASIS FOR THE MANUFACTURE OR SALE OF ITEMS WITHOUT WRITTEN PERMISSION. COPYRIGHT (C) 1980, DIGITAL EQUIPMENT CORPORATION"

LINE	ITEM	DOCUMENT NUMBER	PART NUMBER	DESCRIPTION	QTY PER VARIATION		REFERENCE DESIGNATOR
					00	01	
28	28		1302388-00	2.0 K .25 W 5.0 % CC	1	1	R51
29	29		1302466-00	100.0 K .25 W 5.0 % CC	2	2	R23,P20
30	30		1301890-00	560.0 .25 W 5.0 % CC	1	1	P4R
31	31		1301423-00	6.80 K .25 W 5.0 % CC	3	3	R25,R26,P30
32	32		1300005-07	R NETWORK 15-4.7K 5.0 % 16PIN	1	1	F34
33	33		1300439-00	3.30 K .25 W 5.0 % CC	1	1	F50
34	34		1315676-00	300.0 3.0 W 5.0 % WW 9	1	1	R34
35	37		1515370-00	TIP146 PNP DARLINGTON-CONNECTED	1	1	Q1
36	38		1514509-00	TIP 125 PNP 65W SI 60 500 8A	1	1	Q3
37	39		1510706-00	XA 55 PNP 5004W SI 60 50 P	1	1	Q2
38	40		1812396-03	XTAL. 4.000 MHZ	1	1	Y1
39	41		1915636-00	DRIVER, SWITCHING MOT	1	1	F1
40	42		1913130-00	DEC 1489A RECEIVER, LINE, QUAD,	1	1	F41
41	43		1912863-00	LS273 FF-D OCTAL W/CLEAR	1	1	F15
42	44		1912846-00	LS155 DECODER, 2 OF 4(DUAL)	1	1	F40
43	45		1910325-00	DEC 1488L DRIVER, LINE, QUAD, EI	1	1	F31
44	46		1910741-00	7406 INVERTER GATE-HEX 1I	1	1	F5
45	47		1912108-00	339 VOLT CMPRTR, QUAD	1	1	F39
46	48		1912801-00	LS02 NOR-GATE-QUAD 2IN	1	1	F7
47	49		1912803-00	774LS04 INVERTER GATE, HEX, I	3	3	F30,F18,F17
48	50		1912805-00	LS08 AND GATE-QUAD 2IN, PO	1	1	F29
49	51		1913777-00	LS240 DRIVER, LINE, OCTAL, T	1	1	F16
50	52		1914072-00	74159 DECODER-4 TO 16 OPN	1	1	F2
51	53	USED FOR E27	1215002-07	SOCKET 28PIN IC LOW PROFILE	1	1	
52	54		1915261-00	DEC 2841B DRIVER, 1.5A QUAD	3	3	F13,F20,F8
53	55		1914560-00	LS36A DRIVER, BUS, HEX, TRI-	1	1	E3R
54	56		1913471-00	LS367 DRIVER, BUS, HEX, TRI-	1	1	E23
55	57		1912807-00	LS10 NAND GATE-TRIPLE 3IN	1	1	F37
56	58		1912816-00	LS32 OR GATE-QUAD 2IN, POS	2	2	F11,F2R
57	59		1912824-00	LS74 FF-D DUAL, EDGE TRIGG	1	1	E12
58	60		1910406-00	75451 DRIVER, PERIPH, DUAL,	1	1	E4
59	61		1913950-00	LS155 DECODER, 2 OF 4(DUAL)	1	1	F3
60	62		2113107-01	P 8251A PUSART COMM. INTERFA	1	1	E27
61	63		2113954-00	DC 305 INTERFACE CHIP NI	1	1	E14
62	64		2114212-01	P 2114 RAM, 1024X4, STATIC 1R	2	2	F21,F27
63	65		2114963-00	UP, 8-BIT NMOS GL	1	1	F36
64	66		23001B9-00	B9-01	1	0	F33
65	67		23059E2-00	E2-01	1	0	F6
66	68		23131E2-00	E2-01	1	0	F10
67	69		9009185-00	JUMPER, WIRE, INSULATED, BLACK B	9	-	W21,W15,W19,W18,W13,W9,W6,W4,r1
			CONT		-	9	W21,W25,W19,W18,W13,W9,W6,W4,r2
68	70		910574V-55	WIRE(WRAP)30AWG UL1423	A/R	A/R	
69	71		1302602-00	56.0 .25 W 5.0 % CC	1	1	P56
70	72		23011B9-00	B9-02	0	1	F33
71	73		23232E2-00	E2-04	0	1	F6
72	74		1110854-00	1N 5353B VZ= 16.0V 5% .40W M	1	1	D25

D	T	G	I	T	A	L	TITLE	SECTION A OF A	SIZE	CODE	DOCUMENT NUMBER	REV
							LA34 LOGIC BOARD		K	PL	5413374-0-DBP	U

THIS DRAWING AND SPECIFICATIONS HEREIN ARE THE PROPERTY OF DIGITAL EQUIPMENT CORPORATION AND SHALL NOT BE REPRODUCED OR COPIED OR USED IN WHOLE OR IN PART AS THE BASIS FOR THE MANUFACTURE OR SALE OF ITEMS WITHOUT WRITTEN PERMISSION. COPYRIGHT © 1975, DIGITAL EQUIPMENT CORPORATION.

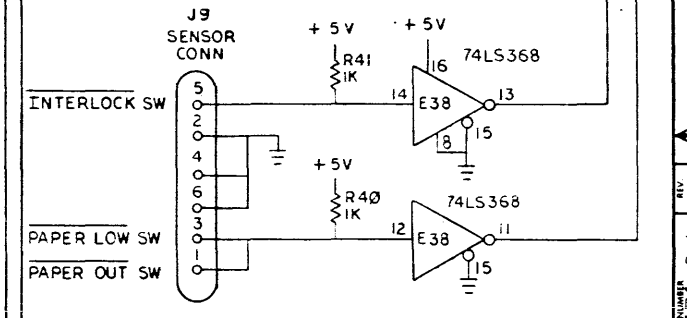
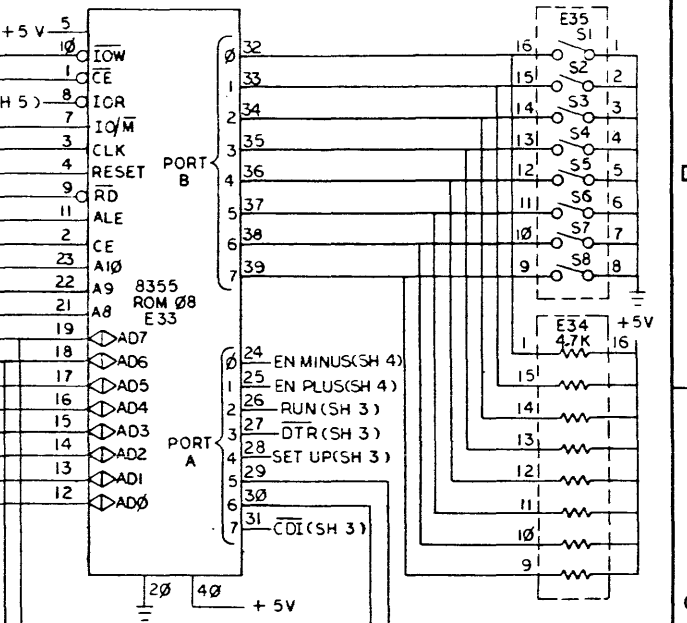
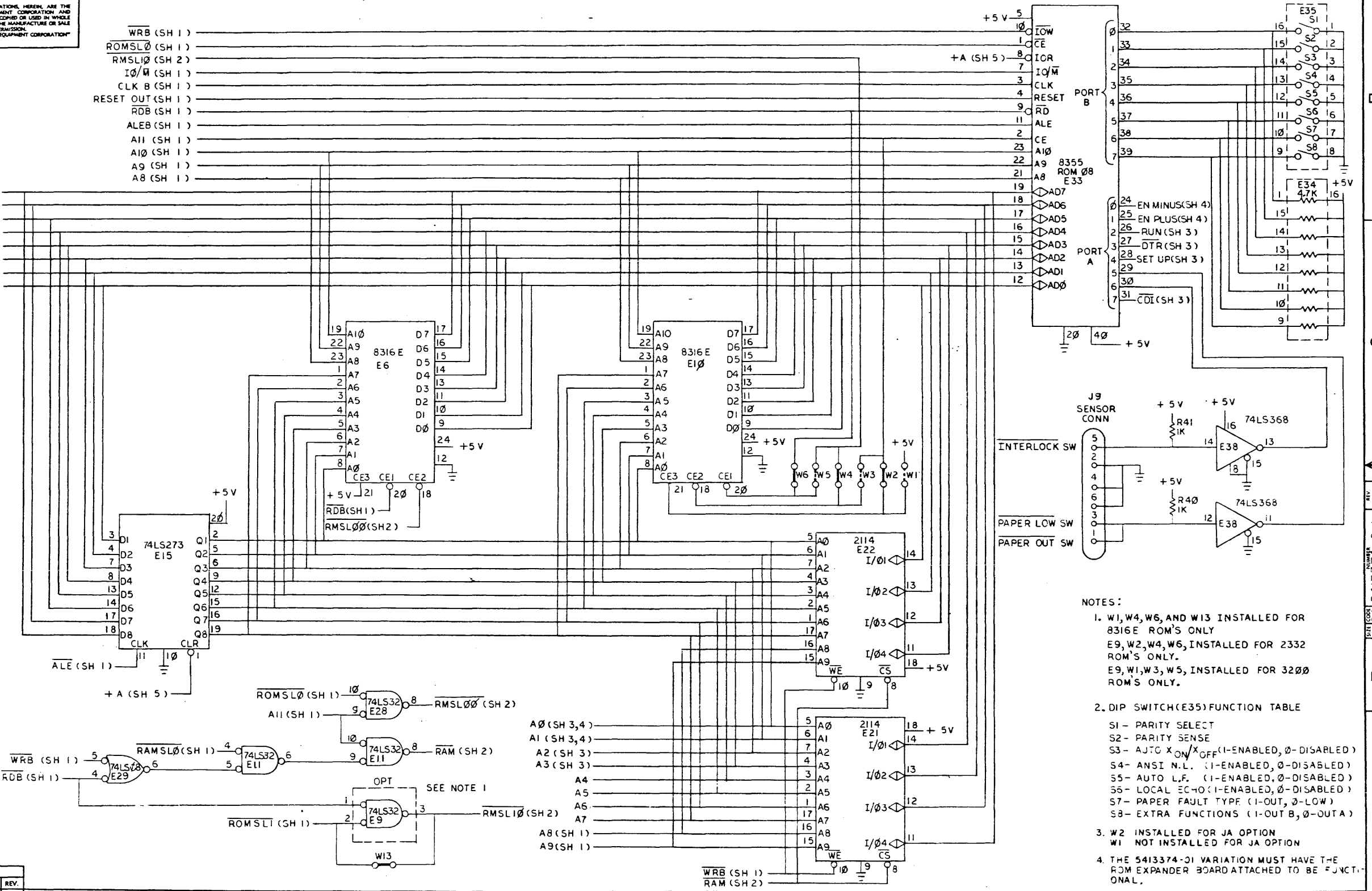


REV.	CHG.	NO.	BY	DATE
1	D	1	D. DODSON	12-10-77
2	D	2	D. DODSON	1-10-78
3	D	3	D. DODSON	2-10-78
4	D	4	D. DODSON	3-10-78
5	D	5	D. DODSON	4-10-78
6	D	6	D. DODSON	5-10-78
7	D	7	D. DODSON	6-10-78
8	D	8	D. DODSON	7-10-78
9	D	9	D. DODSON	8-10-78
10	D	10	D. DODSON	9-10-78
11	D	11	D. DODSON	10-10-78
12	D	12	D. DODSON	11-10-78
13	D	13	D. DODSON	12-10-78
14	D	14	D. DODSON	1-11-79
15	D	15	D. DODSON	2-11-79
16	D	16	D. DODSON	3-11-79
17	D	17	D. DODSON	4-11-79
18	D	18	D. DODSON	5-11-79
19	D	19	D. DODSON	6-11-79
20	D	20	D. DODSON	7-11-79
21	D	21	D. DODSON	8-11-79
22	D	22	D. DODSON	9-11-79
23	D	23	D. DODSON	10-11-79
24	D	24	D. DODSON	11-11-79
25	D	25	D. DODSON	12-11-79
26	D	26	D. DODSON	1-12-80
27	D	27	D. DODSON	2-12-80
28	D	28	D. DODSON	3-12-80
29	D	29	D. DODSON	4-12-80
30	D	30	D. DODSON	5-12-80
31	D	31	D. DODSON	6-12-80
32	D	32	D. DODSON	7-12-80
33	D	33	D. DODSON	8-12-80
34	D	34	D. DODSON	9-12-80
35	D	35	D. DODSON	10-12-80
36	D	36	D. DODSON	11-12-80
37	D	37	D. DODSON	12-12-80
38	D	38	D. DODSON	1-1-81
39	D	39	D. DODSON	2-1-81
40	D	40	D. DODSON	3-1-81
41	D	41	D. DODSON	4-1-81
42	D	42	D. DODSON	5-1-81
43	D	43	D. DODSON	6-1-81
44	D	44	D. DODSON	7-1-81
45	D	45	D. DODSON	8-1-81
46	D	46	D. DODSON	9-1-81
47	D	47	D. DODSON	10-1-81
48	D	48	D. DODSON	11-1-81
49	D	49	D. DODSON	12-1-81
50	D	50	D. DODSON	1-2-82
51	D	51	D. DODSON	2-2-82
52	D	52	D. DODSON	3-2-82
53	D	53	D. DODSON	4-2-82
54	D	54	D. DODSON	5-2-82
55	D	55	D. DODSON	6-2-82
56	D	56	D. DODSON	7-2-82
57	D	57	D. DODSON	8-2-82
58	D	58	D. DODSON	9-2-82
59	D	59	D. DODSON	10-2-82
60	D	60	D. DODSON	11-2-82
61	D	61	D. DODSON	12-2-82
62	D	62	D. DODSON	1-3-83
63	D	63	D. DODSON	2-3-83
64	D	64	D. DODSON	3-3-83
65	D	65	D. DODSON	4-3-83
66	D	66	D. DODSON	5-3-83
67	D	67	D. DODSON	6-3-83
68	D	68	D. DODSON	7-3-83
69	D	69	D. DODSON	8-3-83
70	D	70	D. DODSON	9-3-83
71	D	71	D. DODSON	10-3-83
72	D	72	D. DODSON	11-3-83
73	D	73	D. DODSON	12-3-83
74	D	74	D. DODSON	1-4-84
75	D	75	D. DODSON	2-4-84
76	D	76	D. DODSON	3-4-84
77	D	77	D. DODSON	4-4-84
78	D	78	D. DODSON	5-4-84
79	D	79	D. DODSON	6-4-84
80	D	80	D. DODSON	7-4-84
81	D	81	D. DODSON	8-4-84
82	D	82	D. DODSON	9-4-84
83	D	83	D. DODSON	10-4-84
84	D	84	D. DODSON	11-4-84
85	D	85	D. DODSON	12-4-84
86	D	86	D. DODSON	1-5-85
87	D	87	D. DODSON	2-5-85
88	D	88	D. DODSON	3-5-85
89	D	89	D. DODSON	4-5-85
90	D	90	D. DODSON	5-5-85
91	D	91	D. DODSON	6-5-85
92	D	92	D. DODSON	7-5-85
93	D	93	D. DODSON	8-5-85
94	D	94	D. DODSON	9-5-85
95	D	95	D. DODSON	10-5-85
96	D	96	D. DODSON	11-5-85
97	D	97	D. DODSON	12-5-85
98	D	98	D. DODSON	1-6-86
99	D	99	D. DODSON	2-6-86
100	D	100	D. DODSON	3-6-86
101	D	101	D. DODSON	4-6-86
102	D	102	D. DODSON	5-6-86
103	D	103	D. DODSON	6-6-86
104	D	104	D. DODSON	7-6-86
105	D	105	D. DODSON	8-6-86
106	D	106	D. DODSON	9-6-86
107	D	107	D. DODSON	10-6-86
108	D	108	D. DODSON	11-6-86
109	D	109	D. DODSON	12-6-86
110	D	110	D. DODSON	1-7-87
111	D	111	D. DODSON	2-7-87
112	D	112	D. DODSON	3-7-87
113	D	113	D. DODSON	4-7-87
114	D	114	D. DODSON	5-7-87
115	D	115	D. DODSON	6-7-87
116	D	116	D. DODSON	7-7-87
117	D	117	D. DODSON	8-7-87
118	D	118	D. DODSON	9-7-87
119	D	119	D. DODSON	10-7-87
120	D	120	D. DODSON	11-7-87
121	D	121	D. DODSON	12-7-87
122	D	122	D. DODSON	1-8-88
123	D	123	D. DODSON	2-8-88
124	D	124	D. DODSON	3-8-88
125	D	125	D. DODSON	4-8-88
126	D	126	D. DODSON	5-8-88
127	D	127	D. DODSON	6-8-88
128	D	128	D. DODSON	7-8-88
129	D	129	D. DODSON	8-8-88
130	D	130	D. DODSON	9-8-88
131	D	131	D. DODSON	10-8-88
132	D	132	D. DODSON	11-8-88
133	D	133	D. DODSON	12-8-88
134	D	134	D. DODSON	1-9-89
135	D	135	D. DODSON	2-9-89
136	D	136	D. DODSON	3-9-89
137	D	137	D. DODSON	4-9-89
138	D	138	D. DODSON	5-9-89
139	D	139	D. DODSON	6-9-89
140	D	140	D. DODSON	7-9-89
141	D	141	D. DODSON	8-9-89
142	D	142	D. DODSON	9-9-89
143	D	143	D. DODSON	10-9-89
144	D	144	D. DODSON	11-9-89
145	D	145	D. DODSON	12-9-89
146	D	146	D. DODSON	1-10-90
147	D	147	D. DODSON	2-10-90
148	D	148	D. DODSON	3-10-90
149	D	149	D. DODSON	4-10-90
150	D	150	D. DODSON	5-10-90
151	D	151	D. DODSON	6-10-90
152	D	152	D. DODSON	7-10-90
153	D	153	D. DODSON	8-10-90
154	D	154	D. DODSON	9-10-90
155	D	155	D. DODSON	10-10-90
156	D	156	D. DODSON	11-10-90
157	D	157	D. DODSON	12-10-90
158	D	158	D. DODSON	1-11-91
159	D	159	D. DODSON	2-11-91
160	D	160	D. DODSON	3-11-91
161	D	161	D. DODSON	4-11-91
162	D	162	D. DODSON	5-11-91
163	D	163	D. DODSON	6-11-91
164	D	164	D. DODSON	7-11-91
165	D	165	D. DODSON	8-11-91
166	D	166	D. DODSON	9-11-91
167	D	167	D. DODSON	10-11-91
168	D	168	D. DODSON	11-11-91
169	D	169	D. DODSON	12-11-91
170	D	170	D. DODSON	1-12-92
171	D	171	D. DODSON	2-12-92
172	D	172	D. DODSON	3-12-92
173	D	173	D. DODSON	4-12-92
174	D	174	D. DODSON	5-12-92
175	D	175	D. DODSON	6-12-92
176	D	176	D. DODSON	7-12-92
177	D	177	D. DODSON	8-12-92
178	D	178	D. DODSON	9-12-92
179	D	179	D. DODSON	10-12-92
180	D	180	D. DODSON	11-12-92
181	D	181	D. DODSON	12-12-92
182	D	182	D. DODSON	1-1-93
183	D	183	D. DODSON	2-1-93
184	D	184	D. DODSON	3-1-93
185	D	185	D. DODSON	4-1-93
186	D	186	D. DODSON	5-1-93
187	D	187	D. DODSON	6-1-93
188	D	188	D. DODSON	7-1-93
189	D	189	D. DODSON	8-1-93
190	D	190	D. DODSON	9-1-93
191	D	191	D. DODSON	10-1-93
192	D	192	D. DODSON	11-1-93
193	D	193	D. DODSON	12-1-93
194	D	194	D. DODSON	1-2-94
195	D	195	D. DODSON	2-2-94
196	D	196	D. DODSON	3-2-94
197	D	197	D. DODSON	4-2-94
198	D	198	D. DODSON	5-2-94
199	D	199	D. DODSON	6-2-94
200	D	200	D. DODSON	7-2-94
201	D	201	D. DODSON	8-2-94
202	D	202	D. DODSON	9-2-94
203	D	203	D. DODSON	10-2-94
204	D	204	D. DODSON	11-2-94
205	D	205	D. DODSON	12-2-94
206	D	206	D. DODSON	1-3-95
207	D	207	D. DODSON	2-3-95
208	D	208	D. DODSON	3-3-95
209	D	209	D. DODSON	4-3-95
210	D	210	D. DODSON	5-3-95
211	D	211	D. DODSON	6-3-95
212	D	212	D. DODSON	7-3-95
213	D	213	D. DODSON	8-3-95
214	D	214	D. DODSON	9-3-95
215	D	215	D. DODSON	10-3-95
216	D	216	D. DODSON	11-3-95
217	D	217	D. DODSON	12-3-95

THIS DRAWING AND SPECIFICATIONS HEREIN ARE THE PROPERTY OF DIGITAL EQUIPMENT CORPORATION AND SHALL NOT BE REPRODUCED OR COPIED OR USED IN WHOLE OR IN PART AS THE BASIS FOR THE MANUFACTURE OR SALE OF ITEMS WITHOUT WRITTEN PERMISSION. COPYRIGHT © 1978 DIGITAL EQUIPMENT CORPORATION

- WRB (SH 1)
- ROMSL0 (SH 1)
- RMSL0 (SH 2)
- I0/M (SH 1)
- CLK B (SH 1)
- RESET OUT (SH 1)
- RDB (SH 1)
- ALEB (SH 1)
- A11 (SH 1)
- A10 (SH 1)
- A9 (SH 1)
- A8 (SH 1)

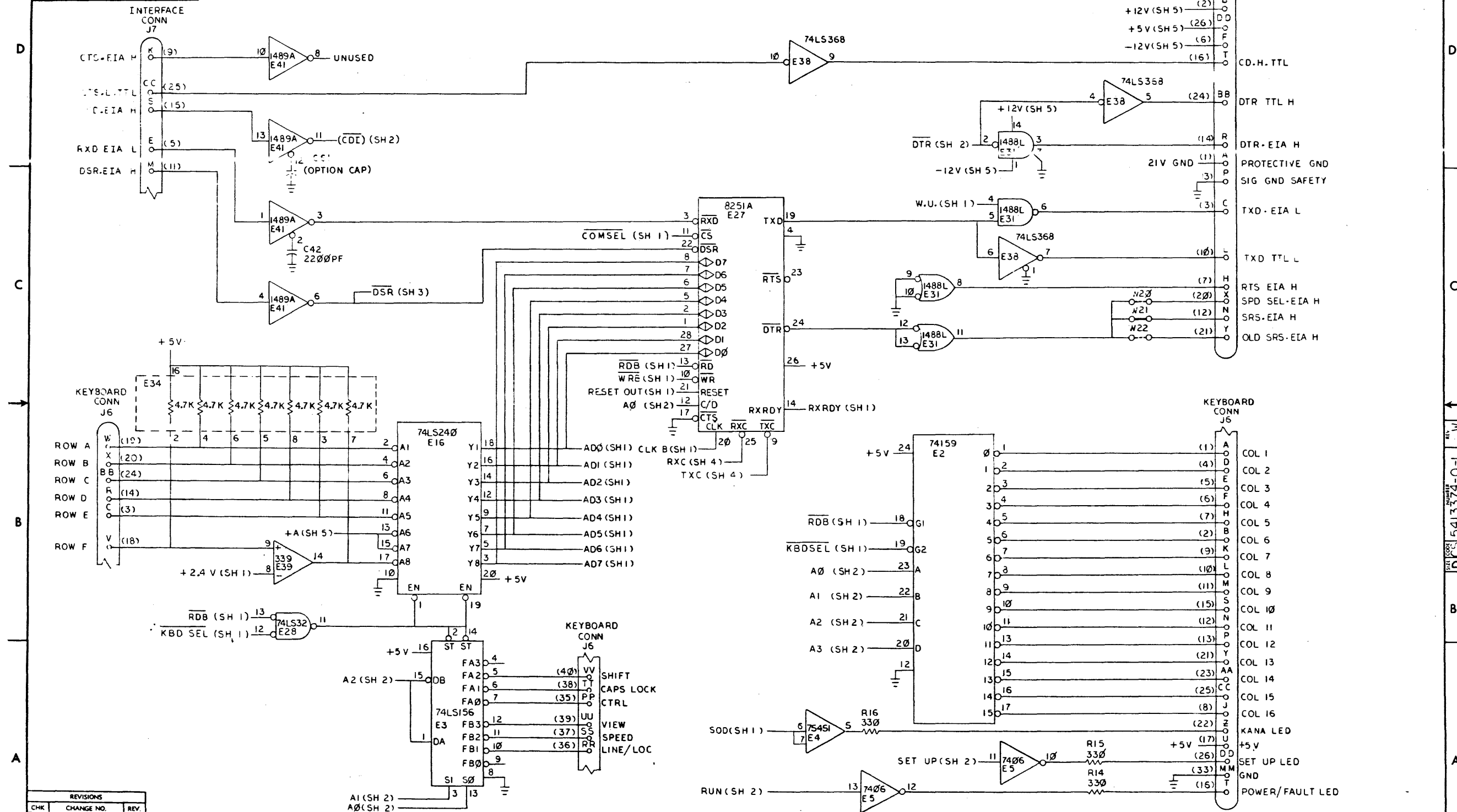
- AD7 (SH 1)
- AD6 (SH 1)
- AD5 (SH 1)
- AD4 (SH 1)
- AD3 (SH 1)
- AD2 (SH 1)
- AD1 (SH 1)
- AD0 (SH 1)



- NOTES:
- W1, W4, W6, AND W13 INSTALLED FOR 8316 ROM'S ONLY
E9, W2, W4, W6, INSTALLED FOR 2332 ROM'S ONLY.
E9, W1, W3, W5, INSTALLED FOR 3200 ROMS ONLY.
 - DIP SWITCH (E35) FUNCTION TABLE
S1 - PARITY SELECT
S2 - PARITY SENSE
S3 - AUTO X ON / X OFF (1-ENABLED, 0-DISABLED)
S4 - ANSI N.L. (1-ENABLED, 0-DISABLED)
S5 - AUTO L.F. (1-ENABLED, 0-DISABLED)
S6 - LOCAL EC-0 (1-ENABLED, 0-DISABLED)
S7 - PAPER FAULT TYPE (1-OUT, 0-LOW)
S8 - EXTRA FUNCTIONS (1-OUT B, 0-OUT A)
 - W2 INSTALLED FOR JA OPTION
W1 NOT INSTALLED FOR JA OPTION
 - THE 5413374-01 VARIATION MUST HAVE THE ROM EXPANDER BOARD ATTACHED TO BE FUNCTIONAL.

REVISIONS		
CHK	CHANGE NO.	REV.

THIS DRAWING AND SPECIFICATIONS, HEREIN, ARE THE PROPERTY OF DIGITAL EQUIPMENT CORPORATION AND SHALL NOT BE REPRODUCED OR COPIED OR USED IN WHOLE OR IN PART AS THE BASIS FOR THE MANUFACTURE OR SALE OF ITEMS WITHOUT WRITTEN PERMISSION. COPYRIGHT © 1977, DIGITAL EQUIPMENT CORPORATION

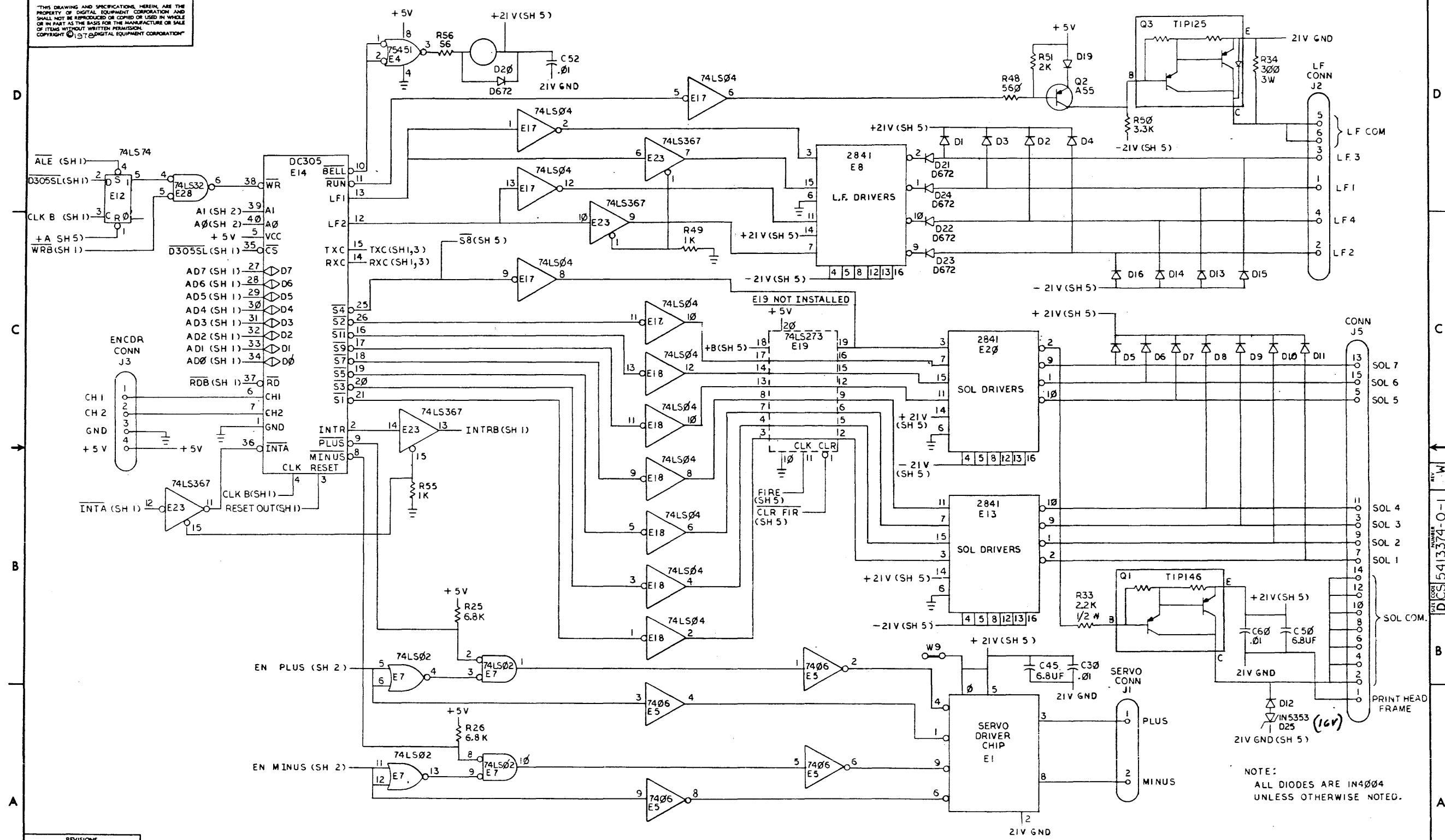


REVISIONS		
CHK	CHANGE NO.	REV.

TITLE	LA34 LOGIC BOARD	SIZE CODE	D CS	NUMBER	5413374-0-1	REV.	W
SCALE		SHEET	3	OF	5	DIST.	

DCS 5413374-0-1 W

THIS DRAWING AND SPECIFICATIONS HEREIN ARE THE PROPERTY OF DIGITAL EQUIPMENT CORPORATION AND SHALL NOT BE REPRODUCED OR COPIED OR USED IN WHOLE OR IN PART AS THE BASIS FOR THE MANUFACTURE OR SALE OF ITEMS WITHOUT WRITTEN PERMISSION. COPYRIGHT © 1971 DIGITAL EQUIPMENT CORPORATION

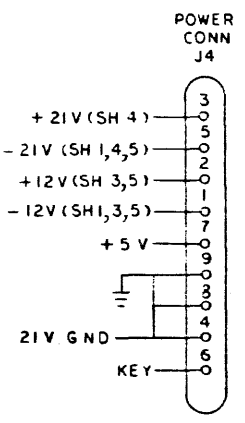
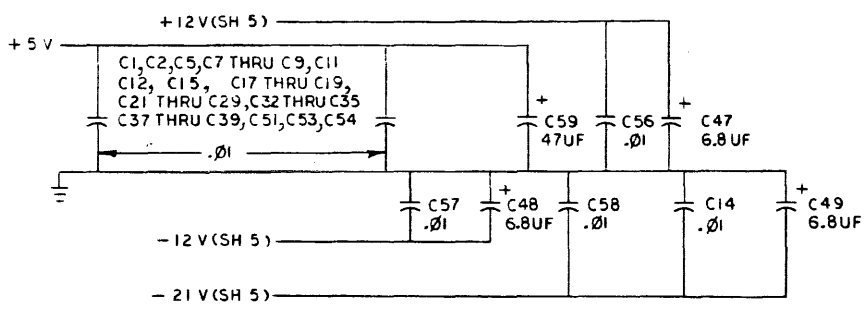
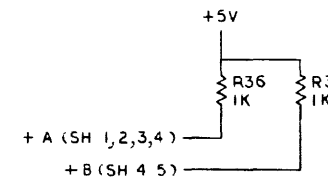
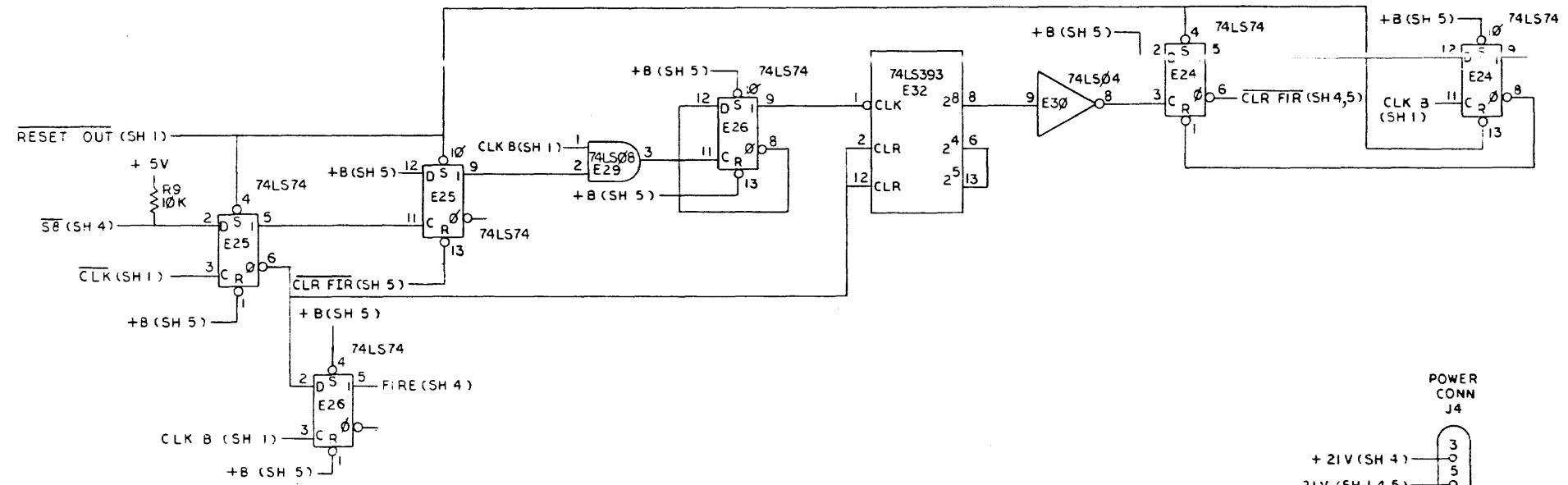


REVISIONS		
CHK	CHANGE NO.	REV.

THIS DRAWING AND SPECIFICATIONS HEREIN ARE THE PROPERTY OF DIGITAL EQUIPMENT CORPORATION AND SHALL NOT BE REPRODUCED OR COPIED OR USED IN WHOLE OR IN PART AS THE BASIS FOR THE MANUFACTURE OR SALE OF ITEMS WITHOUT WRITTEN PERMISSION. COPYRIGHT © 1975 DIGITAL EQUIPMENT CORPORATION

DCS 5413374-0-1

NOTE:
IC'S E24, E25, E26, E32 AND R37 NOT INSTALLED.



REVISIONS		
CHK	CHANGE NO.	REV.

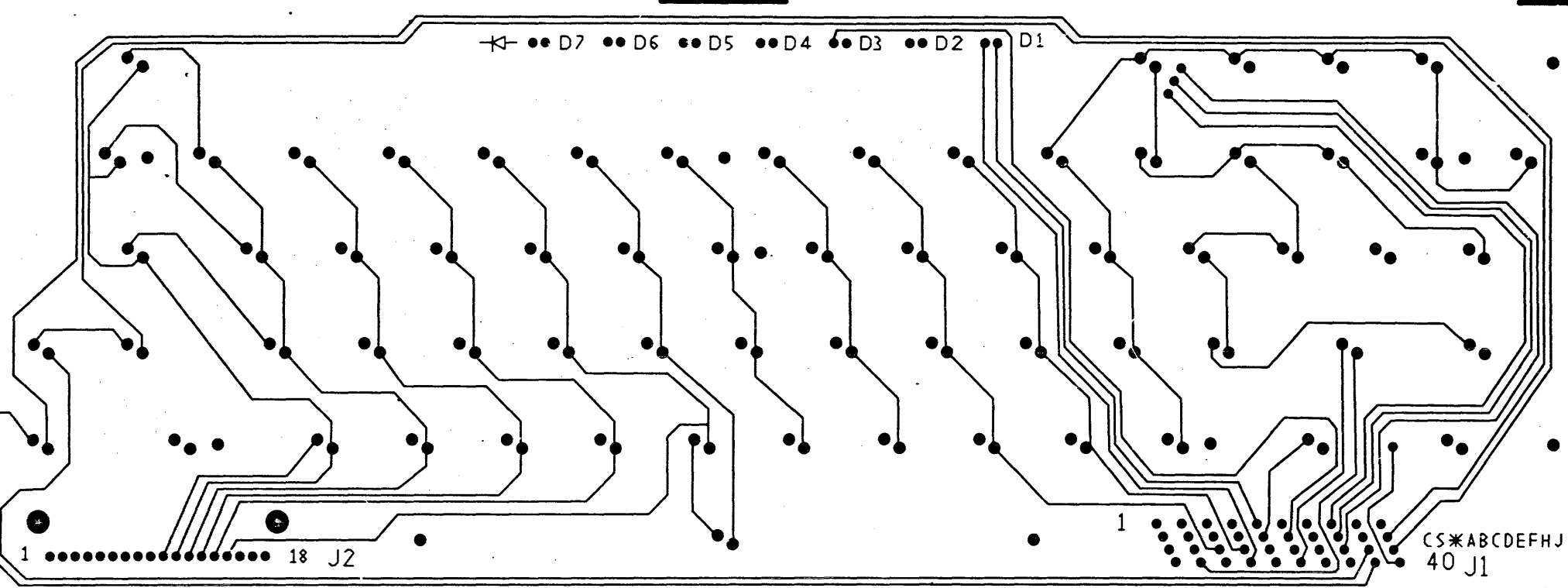
TITLE	LA34 LOGIC BOARD	SIZE CODE	DCS	NUMBER	5413374-0-1	REV.	W
SCALE		SHEET	5	OF	5	DIST.	

DCS 5413374-0-1 W

©1978

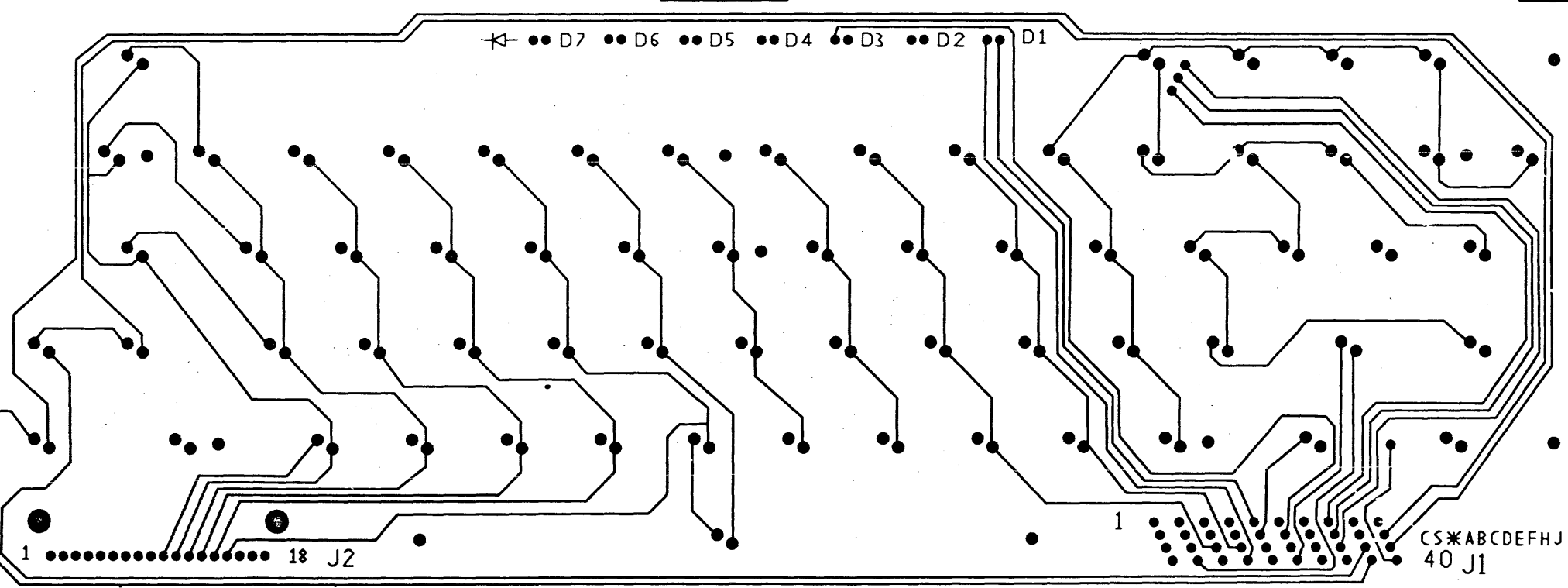
5013283E 5413284

SIDE 1
digital



5013283E 5413284

SIDE 1
digital



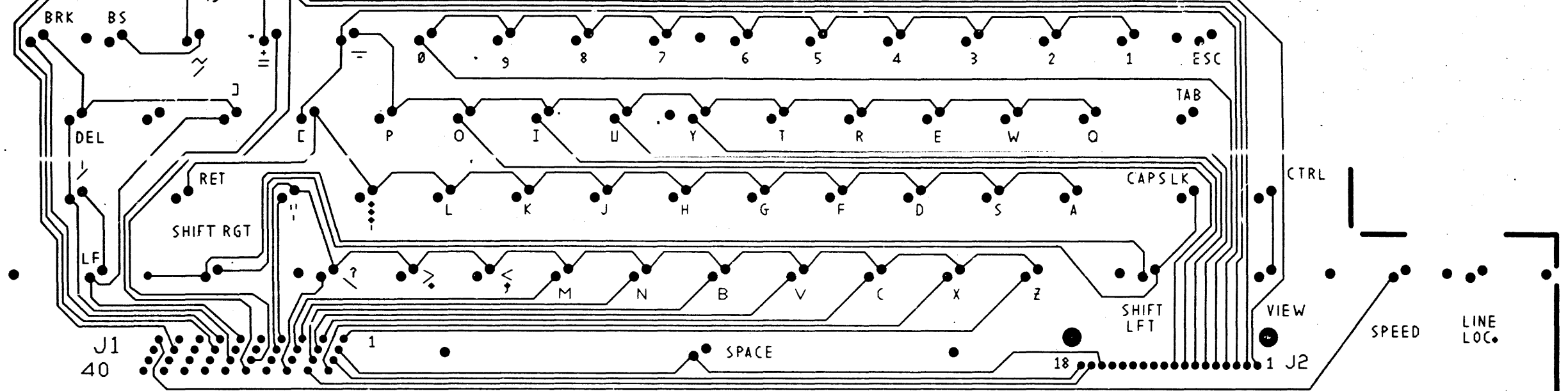
REV		DATE		BY		CHECKED		DATE		BY	
TITLE LA34 KEYBOARD MODULE								REV D	QUANTITY UA	NUMBER 5413284-0-0	REV D
SCALE 2/1				SHEET 2 OF 3				DIST			

01978

LA34 KEYBOARD MODULE 5013283E 5413284 SIDE 2

SET-UP

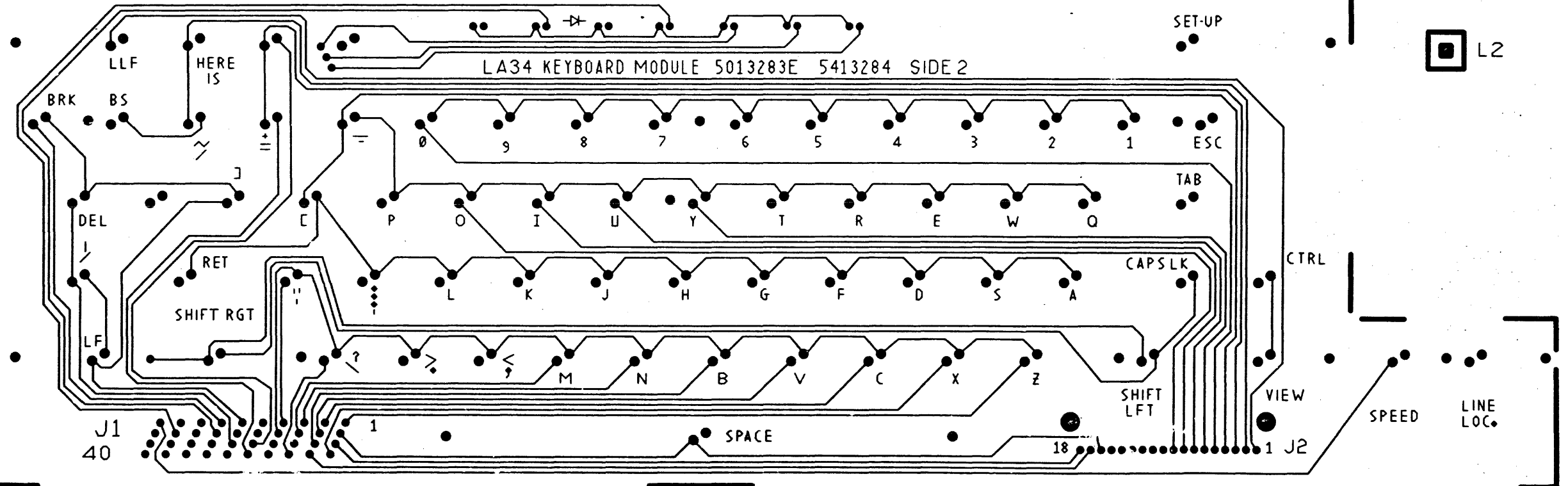
L2



LA34 KEYBOARD MODULE 5013283E 5413284 SIDE 2

SET-UP

L2



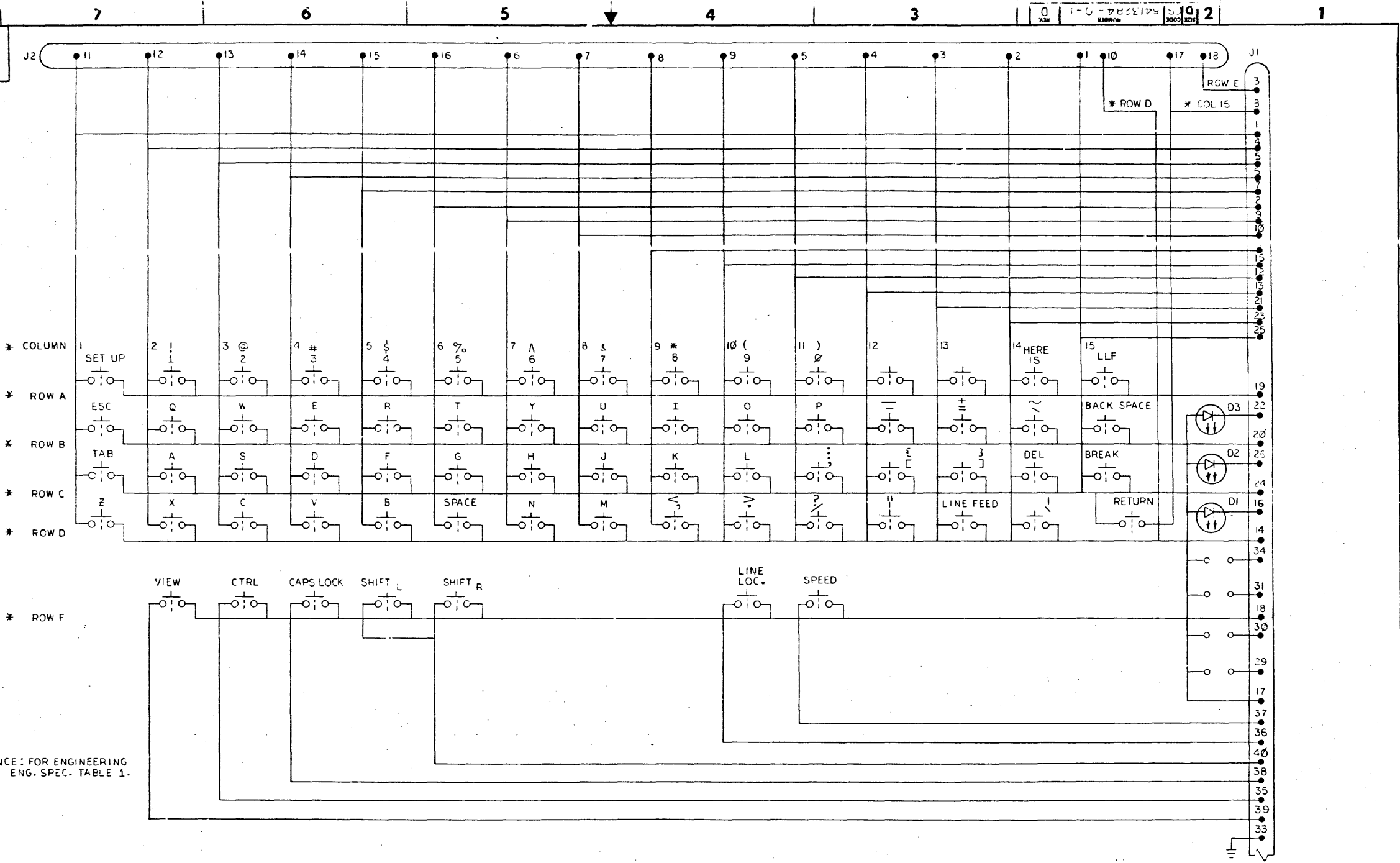
TITLE	LA34 KEYBOARD MODULE	REV	001	DATE	5413284-0-0	PLT	D
SCALE	2/1	SHEET	3	TOTAL	3		

LINE	ITEM	DOCUMENT NUMBER	PART NUMBER	DESCRIPTION	QTY	REFERENCE DESIGNATOR
1	1		5013283-00	ETCH BOARD FOR 5413284	1	
2	2		1110864-00	LED 2MCD@10mA	3	D1-D3
3	3		1210073-00	CONN 40POS INSUL PIERCING	1	J1
4	4		1215324-01	CONN 18POS GOLD PLATED	1	J2
5	5		7013910-00	KEYBOARD ARRAY ASSY	1	
6	6		7015527-00	OPERATOR SWITCH ASSY	1	
7	7		9010033-00	SCREW,PAN,PHILLIPS, 4-24 X 3/8	6	

REVISION HISTORY		SECTION 1 OF 1	RESP. ENG.: B.DONOHUE	DATE: 22-JUN-78	D I G I T A L		
ENG	ECO NUMBER	REV	SECTION, VARIATION INDEX	MADE BY: M.RIPLEY	DATE: 17-MAY-78	TITLE	PARTS LIST
---	INIT	D					
LG	5413284-PN001	E	1,00			LA34 KEYBOARD MODULE	
			2.				
			3.	CHECKED: B.DONOHUE	DATE: 22-JUN-78		
			4.				
			5.				
			6.	DSN, ENG.: B.DONOHUE	DATE: 22-JUN-78		
			7.				
			8.				
			9.	PROD.: L.MION	DATE: 22-JUN-78	SIZE CODE: K PL	DOCUMENT NUMBER: 5413284-0-DBP
			10.				
			11.				
			12.	ASSEMBLY NUMBER: D-UA-5413284-0-0		PART NUMBER: 5413284	EDIT #: 15

"THIS DRAWING AND SPECIFICATIONS HEREIN, ARE THE PROPERTY OF DIGITAL EQUIPMENT CORPORATION AND SHALL NOT BE REPRODUCED OR COPIED OR USED IN WHOLE OR IN PART AS THE BASIS FOR THE MANUFACTURE OR SALE OF ITEMS WITHOUT WRITTEN PERMISSION. COPYRIGHT 1978, DIGITAL EQUIPMENT CORPORATION"

THIS DRAWING AND SPECIFICATIONS HEREIN ARE THE PROPERTY OF DIGITAL EQUIPMENT CORPORATION AND SHALL NOT BE REPRODUCED OR COPIED OR USED IN WHOLE OR IN PART AS THE BASIS FOR THE MANUFACTURE OR SALE OF ITEMS WITHOUT WRITTEN PERMISSION.
 COPYRIGHT © 1972, DIGITAL EQUIPMENT CORPORATION



NOTE:
 1. * REFERENCE: FOR ENGINEERING USE, SEE ENG. SPEC. TABLE 1.

REV.	
CHANGE NO.	
CHK.	

DRN. <i>[Signature]</i>	FIRST USED ON	digital
CHK'D <i>[Signature]</i>	LA34	
ENG. C. <i>[Signature]</i>	TITLE	LA34
PROJ. ENG. <i>[Signature]</i>	KEYBOARD MODULE	
NEXT HIGHER ASSY.	SIZE	CODE
0-BB-5413284-0	D	CS
SCALE	NUMBER	REV.
	5413284-0-1	D
SHEET	OF	DIST.

ENGINEERING SPECIFICATION

digital

CONTINUATION SHEET

TITLE H7834 POWER SUPPLY

1.1.1.8 Overcurrent

The input overcurrent protection is provided by a user accessible 3A normal blow fuse.

1.1.1.9 Electromagnetic Interference/Susceptibility

When installed in the LA34 the conducted or radiated interference/susceptibility shall be as follows:

1.1.1.9.1 Conducted Transients

System degradation shall not be caused by a single 300V, 0.2 watt sec. maximum voltage transient. Survival level for a single voltage transient shall be 1000V at 2.5 watt-sec max. Survival level for an average power transient shall be 0.5W maximum.

1.1.1.9.2 Conducted CW Noise

Conducted CW noise shall not exceed the following:

10 KHz to 3 MHz	3VRMS max.
3 MHz to 500 MHz	1VRMS max.
500 MHz to 1 GHz	0.5VRMS max.

1.1.1.9.3 RF Field Susceptibility

The following RF fields shall not cause system degradation (with the power supply installed in the terminal)

10 KHz to 30 MHz	1V/M max.
30 MHz to 1 GHz	10V/M max.

1.1.1.10 Power Line Disturbances

With the module installed in the terminal, the performance with power line disturbances shall be as follows:

1.1.1.10.1 Overvoltage

The H7834 power supply shall withstand for one second 117% of the rated maximum input voltages specified in 1.1.1.1 without causing system degradation or damage.

SIZE	CODE	NUMBFR	REV
A	SP	H7834-0-2	

ENGINEERING SPECIFICATION

digital

CONTINUATION SHEET

TITLE H7834 POWER SUPPLY

1.1.1.10.2 Undervoltage

The H7834 power supply module shall withstand undervoltages and power interruptions without sustaining damage or causing damage to the LA34.

1.1.1.10.3 Ride Through

At 87VRMS input and full load, all outputs shall remain within their specified limits for 20 milliseconds minimum.

1.1.1.11 Electromagnetic Interference

With the module installed in the terminal, the conducted and radiated emissions level shall be as follows:

1.1.1.11.1 Conducted Emission

The conducted emissions shall satisfy the VDE A limit.

1.1.1.11.2 Radiated Emissions

The radiated emissions shall satisfy the VDE A limit.

1.1.1.12 Dielectric Withstanding

With the AC power disconnected the module shall withstand the application of the following high voltage direct current levels without damage or arcing.

1.1.1.12.1 Input to Frame

The module shall withstand 2.5 KV DC from input to frame for one minute.

1.1.1.12.2 Input to Output

The module shall withstand 2.5 KV DC from input to output for one minute.

SIZE	CODE	NUMBFR	REV
A	SP	H7834-0-2	

ENGINEERING SPECIFICATION

digital

CONTINUATION SHEET

TITLE H7834 POWER SUPPLY

1.1.2 Outputs

The module shall provide outputs as defined in the following paragraphs. All outputs are defined at the output connector J2.

1.1.2.1 Currents

The output currents shall meet the requirements of a single LA00 terminal.

- +5.1 VDC at 0.5A minimum to 3.0A maximum
- +12 VDC at 0.02A minimum to 0.2A maximum
- 12VDC at 0.02A minimum to 0.2A maximum
- +21 VDC at 0A minimum to 1.0A maximum
- 21 VDC at 0.1A minimum to 1.0A maximum

The total average power from the +21V and -21V outputs is limited to 21 watts.

1.1.2.2 Voltages

The output voltages shall have the following tolerances under the specified loads.

1.1.2.2.1 +5.1 volt Output

the +5.1 volt output shall have the following characteristics as measured at Pin 3 (Pin 2 return) of J2:

- a) Overall regulation: +5%
- b) Initial tolerance +1%
- c) Static line regulation: +0.5%
- d) Static load regulation: +1.5%
- e) Long term stability: +0.1%/1000 hrs.
- f) Thermal drift: -0.01 + .01%/°C
- g) Ripple: 200 MV p-p for $f \leq 20$ KHz
- h) Noise: 200 MV peak to peak at $f \leq 100$ KHz
- i) Dynamic load regulation: TBDL

1.1.2.2.2 +21 Volt Output

The +21 volt output shall have the following characteristics as measured at Pin 7 (Pin 6 return) of J2:

- a) Overall regulation: +10%

SIZE	CODE	NUMBFR	REV
A	SP	H7834- β -2	

ENGINEERING SPECIFICATION

digital

CONTINUATION SHEET

TITLE H7834 POWER SUPPLY

1.1.2.2.2 (continued)

- b) Initial tolerance +3%
- c) Static line regulation: +0.5%
- d) Static load regulation: +4%
- e) Long term stability: +0.1%/1000 hrs.
- f) Thermal drift: -0.05 + .05%/°C
- g) Ripple: 200 MV p-p max for $f \leq 20$ KHz
- h) Noise: 1% peak at $f \leq 100$ KHz
- i) Dynamic load regulation: ±3.5% based upon any one of the following load conditions
 - 1) 2 + 0.25A load switched at 50% duty cycle at a PRF of 5 to 500 Hz (minimum loading on -21V output during this time).
 - 2) Triangular pulsed load of 7 + 1A peak amplitude, average value of 3.5 + 0.25A pulse width of 1 + 0.1 msec (msec) at base of triangle, and a PRF of 0 to 140 Hz (identical loading on -21V output during this time).
 - 3) Triangular pulsed load of 2 + 0.25A peak amplitude, average value of 1 + 0.1A, pulse width of 1 + 0.1msec (at base of triangle), and a PRF of 0 to 500 Hz (identical loading on -21V output during this time).

1.1.2.2.3 -21 Volt Output

The -21 volt output shall have the following characteristics as measured at Pin 5 (Pin 6 return) of J2:

- a) Overall regulation: + 10%
- b) Initial tolerance: +3%
- c) Static line regulation: + 0.5%
- d) Static load regulation: + 4%
- e) Long term stability: +0.1%/1000 hrs.
- f) Thermal Drift: -0.05 + 0.5%/°C
- g) Ripple: 200 MV p-p maximum for $f \leq 20$ KHz

SIZE	CODE	NUMBFR	REV
A	SP	H7834- β -2	

ENGINEERING SPECIFICATION

0107131

CONTINUATION SHEET

TITLE H7834 POWER SUPPLY

1.1.2.2.3 (continued)

- h) Noise: 1% peak at $f \leq 100$ KHz
- i) Dynamic load regulation: $\pm 3.5\%$ based upon any one of the following load conditions
 - 1) $2 \pm 0.25A$ load switched at 50% duty cycle at a PRF of 5 to 500 Hz (minimum loading on +21V output during this time).
 - 2) Triangular pulse load of $7 \pm 1A$ peak amplitude, average value of $3.5 \pm 0.25A$, pulse width of 1 ± 0.1 msec (at base of triangle). and a PRF of 0 to 140 Hz. (identical loading on +21V output during this time).
 - 3) Triangular pulsed load of $2 \pm 0.25A$ peak amplitude, average value of $1 \pm 0.1A$, pulse width of 1 ± 0.1 msec (at base of triangle) and a PRF of 0 to 500 Hz (identical loading on +21V output during this time).

1.1.2.2.4 +12 Volt Output

The +12 volt output shall have the following characteristics as measured at Pin 8 (Pin 1 return) of J2:

- a) Overall regulation: $\pm 5\%$
- b) Initial tolerance: $\pm 4\%$
- c) Static line regulation: $\pm 0.25\%$
- d) Static load regulation: $\pm 0.25\%$
- e) Long term stability: $\pm 0.2\%/1000$ hrs
- f) Thermal drift: $\pm .004\%/^{\circ}C$
- g) Ripple: 2.0 MV p-p max for $f \leq 20$ KHz
- h) Noise: 1% peak at $f \leq 100$ KHz
- i) Dynamic load regulation: TBDL

SIZE	CODE	NUMBER	REV
A	SP	H7834-Ø-2	

ENGINEERING SPECIFICATION

0107131

CONTINUATION SHEET

TITLE H7834 POWER SUPPLY

1.1.2.2.5 -12 Volt Output

The -12 volt output shall have the following characteristics as measured at Pin 9 (Pin 1 return) of J2):

- a) Overall regulation: $\pm 5\%$
- b) Initial tolerance: $\pm 3.5\%$
- c) Static line regulation: $\pm 0.2\%$
- d) Static load regulation: $\pm 0.7\%$
- e) Long term stability: $\pm 0.2\%/1000$ hrs.
- f) Thermal drift: $\pm .002\%/^{\circ}C$
- g) Ripple: 2.0 MV p-p max for $f \leq 20$ KHz
- h) Noise: 1% peak at $f \leq 100$ KHz
- i) Dynamic load regulation: TBDL

1.1.2.3 Overload Protection

Overload protection is provided for all outputs.

1.1.2.3.1 +5V Output

Current limit point: $3.5 \pm 0.3A$
Short circuit current ($R \leq .050$ ohms) :
2.0A maximum

1.1.2.3.2 +21V Output

Current limit point: $2.8 \pm 0.3A$
Short circuit current ($R \leq .050$ ohms) :
6.0A maximum

1.1.2.3.3 -21V Output

Current limit point: $2.8 \pm 0.3A$
Short circuit current ($R \leq .050$ ohms) :
6.0A maximum

1.1.2.3.4 +12V Output

Current limit point: $0.4 \pm 0.1A$
Short circuit current: 0.65A maximum

SIZE	CODE	NUMBER	REV
A	SP	H7834-Ø-2	

TITLE H7834 POWER SUPPLY

1.1.2.3.5 -12V OutputCurrent limit point: $0.4 \pm 0.1A$

Short circuit current: 0.65A maximum

1.1.2.4 Overvoltage Protection

Overvoltage protection is provided for the +5.0V output.

Overvoltage limit point: $+5.4 \pm 0.1 VDC$ 1.2 Environmental Conditions

The H7834 power supply module shall perform as specified herein when installed in the LA34 terminal under the following environmental conditions:

1.2.1 Ambient Temperature

a) Operating: 0 to 40°C

b) Non-operating: -40 to +85°C

1.2.2 Temperature Shock

1°C/sec

1.2.3 Humidity

Per DEC Standard 102 Class B and Paragraph 3.1 and 3.2

1.2.4 Shock

Per DEC Standard 102 Class B and Paragraph 5.1 and 5.2

1.2.5 Vibration

Per DEC Standard 102 Class and Paragraph 6.1 and 6.2

1.3 Design and Construction

Design and construction of the power supply module shall be in accordance with drawing E-UA-H7834-0-0 and this specification.

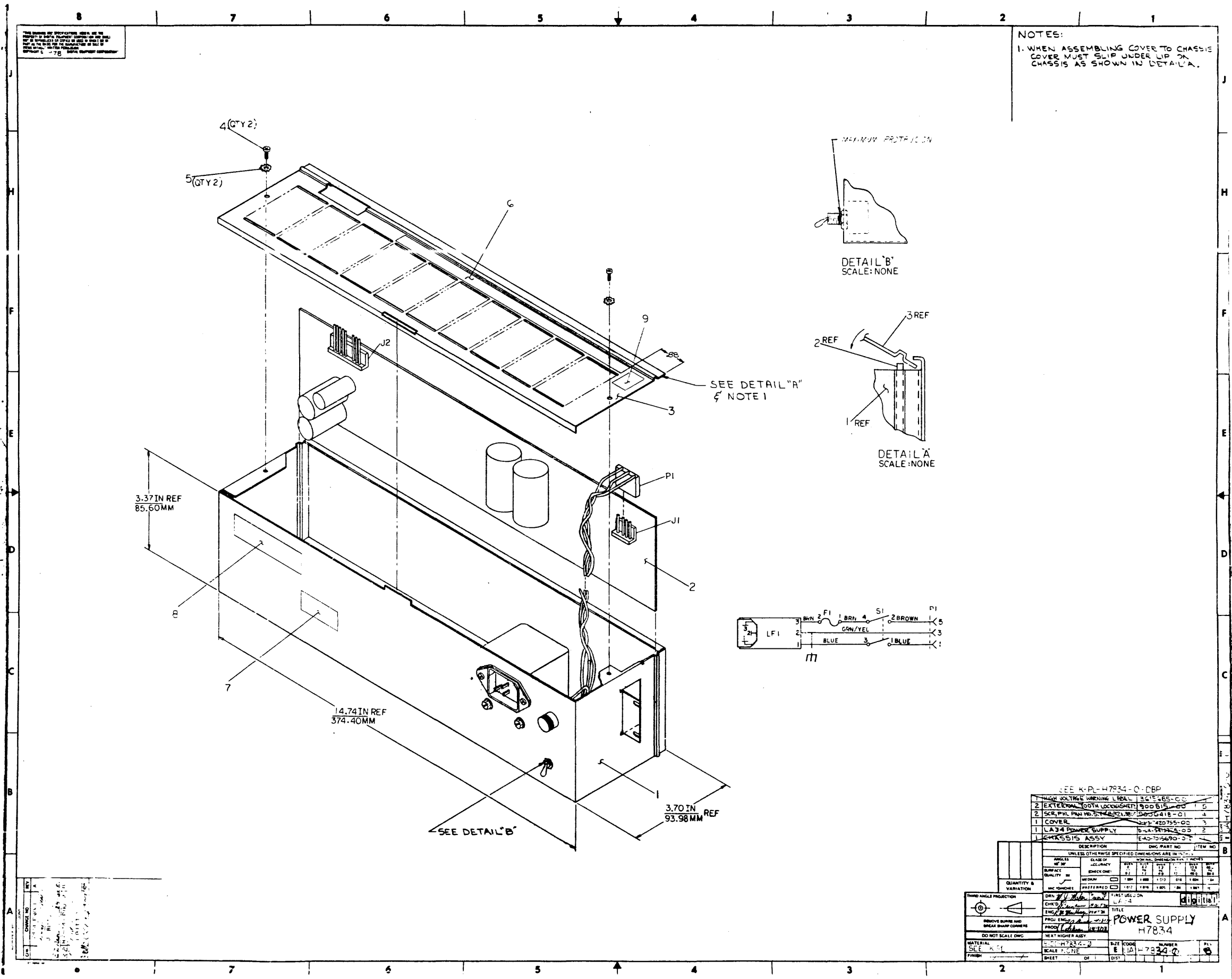
1.4 Operational Failure Rate

The calculated effective failure rate shall be $NGT 20 \times 10^{-6}$ failures per hour.

SIZE	CODE	NUMBER	REV
A	SP	H7834-Ø-2	

THIS DRAWING IS UNCLASSIFIED SINCE IT IS
 A TECHNICAL DRAWING OF A MECHANICAL PART
 AND IS NOT A SOURCE OF INFORMATION OF A
 NATURE WHICH COULD BE OF USE TO AN
 ADVERSARY OF THE UNITED STATES OF AMERICA
 IN THE EVENT OF A DISSEMINATION OF THIS
 INFORMATION TO AN ADVERSARY OF THE UNITED STATES OF AMERICA

NOTES:
 1. WHEN ASSEMBLING COVER TO CHASSIS
 COVER MUST SLIP UNDER LIP ON
 CHASSIS AS SHOWN IN DETAIL 'A'.



REV	DATE	DESCRIPTION
1		
2		
3		
4		
5		
6		
7		
8		

SEE K-PL-47834-0-DBP

DESCRIPTION	QTY	UNIT	ITEM NO.
1 HIGH VOLTAGE WARNING LABEL 3015-065-00	1		1
2 EXTERNAL GROUND LOCKWASHER 300815-00	1		2
2 SCREW PAN HD. 5/16-18X1/2 300815-01	4		3
1 COVER 425155-00	1		4
1 LA34 POWER SUPPLY 15-A-50755-00	2		5
1 CHASSIS ASSY 15-A-50755-00	1		6

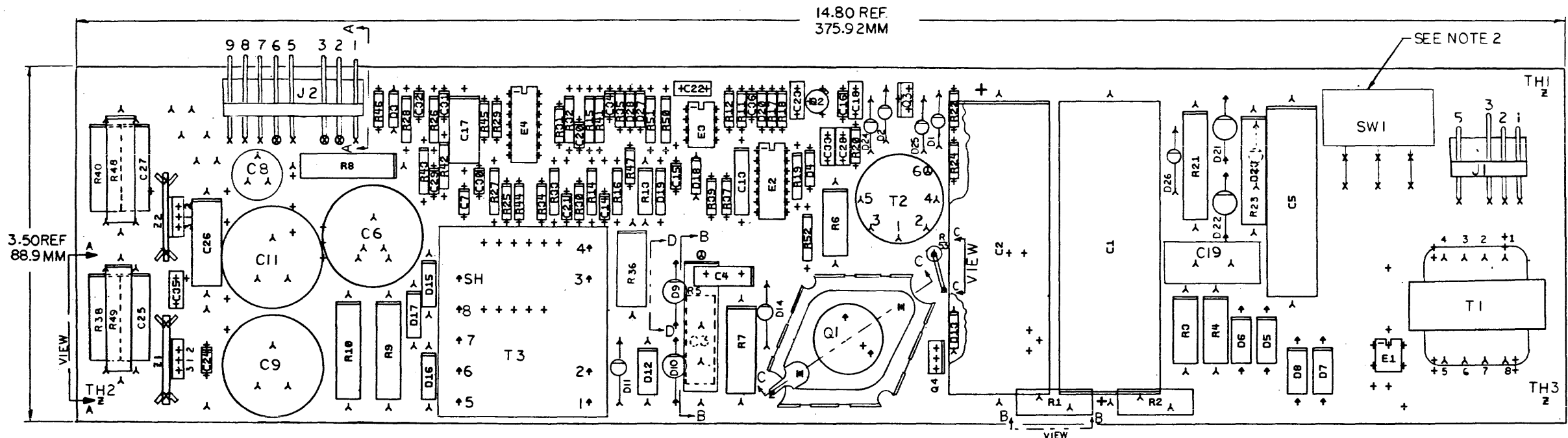
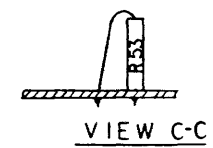
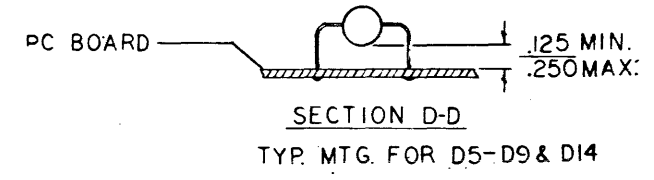
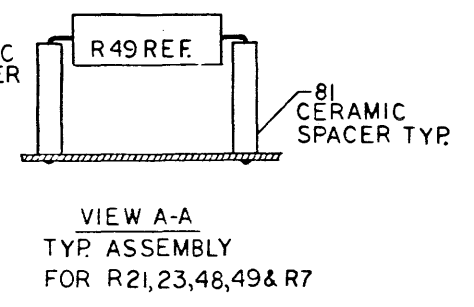
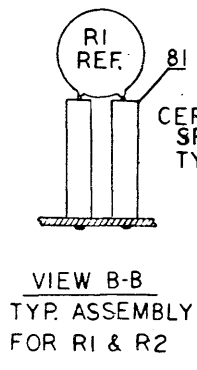
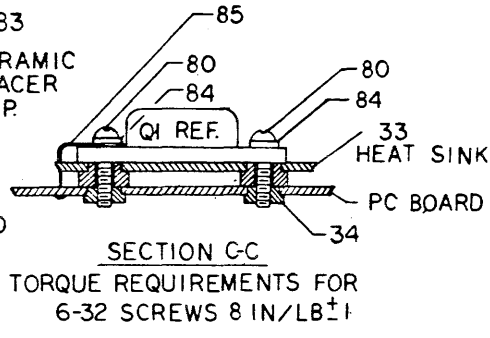
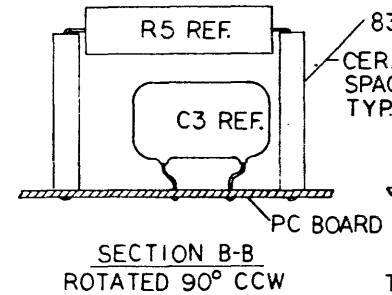
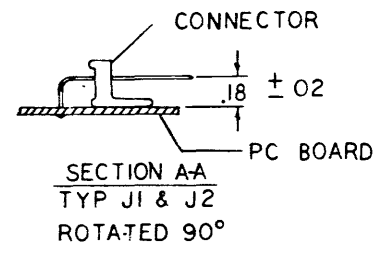
UNLESS OTHERWISE SPECIFIED DIMENSIONS ARE IN INCHES	
ANGLES	DIMENSIONS
SIZE	FINISH
1/8" 30°	AS SHOWN
1/4" 30°	AS SHOWN
3/8" 30°	AS SHOWN
1/2" 30°	AS SHOWN
3/4" 30°	AS SHOWN
1" 30°	AS SHOWN
1 1/2" 30°	AS SHOWN
2" 30°	AS SHOWN
3" 30°	AS SHOWN
4" 30°	AS SHOWN
5" 30°	AS SHOWN
6" 30°	AS SHOWN
8" 30°	AS SHOWN
10" 30°	AS SHOWN

THIRD ANGLE PROJECTION	QUANTITY & VARIATION	DESCRIPTION	DATE	BY	CHK'D BY	DATE	BY
AS SHOWN	AS SHOWN	POWER SUPPLY	10/1/78	J. H. [Signature]	J. H. [Signature]	10/1/78	J. H. [Signature]

MATERIAL	FINISH	SCALE	TITLE	NUMBER	PL.
SLE K-01	AS SHOWN	NONE	POWER SUPPLY	H7834	1

PROPERTY OF THE UNITED STATES GOVERNMENT
 REPRODUCTION OF THIS DOCUMENT IS UNLIMITED
 EXCEPT WHERE SHOWN OTHERWISE BY THIS SYMBOL
 1979

COMPONENT SIDE VIEW



NOTES:
 1. THIS BOARD MUST MEET U/L REQ.
 2. SW1 MUST BE HAND INSERTED AND HAND SOLDERED AFTER WAVE SOLDER.

CHANGE NO	REV	DATE	BY	CHK'D
1	1	1-29-79	J. BITTO	J. DESJARDIS
2	2	3-5-79	J. BITTO	J. DESJARDIS
3	3	3-5-79	J. BITTO	J. DESJARDIS
4	4	6-3-79	J. BITTO	J. DESJARDIS

ETCH REV. D.	DATE
P.C. DESIGN DATA BASE REV.	

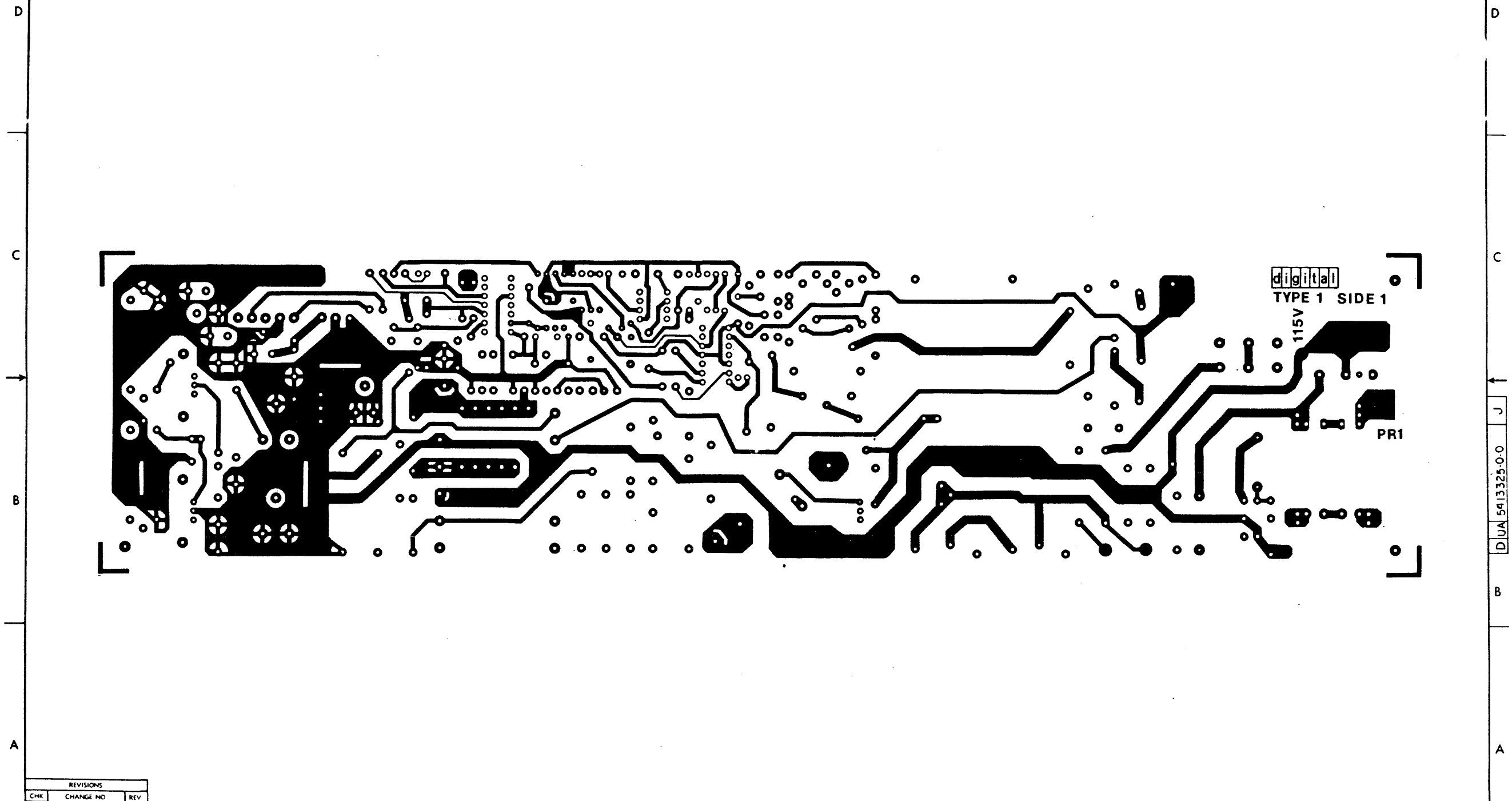
SIGNATURES	DATE	TITLE
DRN. COSTA	1-29-79	digital
CHK'D. COSTA	1-29-79	
ENG. RALPH M. MACKENZIE	3-5-79	TITLE LA34
PROJ. ENG. R. M. MACKENZIE	3-5-79	POWER SUPPLY
PROD. V. ERDEKIAN	6-3-79	
SCALE 2:1	SIZE CODE	NUMBER
SHT. 1 OF 3	0 UA 5413325-0-0	REV
NEXT HIGHER ASSY. E-UA-H7834-0-0		

8 7 6 5 4 3 2 1 MS#

8 7 6 5 4 3 2 1

THIS DRAWING AND SPECIFICATIONS HEREIN ARE THE PROPERTY OF DIGITAL EQUIPMENT CORPORATION AND SHALL NOT BE REPRODUCED OR COPIED OR USED IN WHOLE OR IN PART AS THE BASIS FOR THE MANUFACTURE OR SALE OF ITEMS WITHOUT WRITTEN PERMISSION. DIGITAL EQUIPMENT CORPORATION. COPYRIGHT © 1979

J 0-0-923325-0-0 2



digital
TYPE 1 SIDE 1

115V

PR1

J
DUA 5413325-0-0

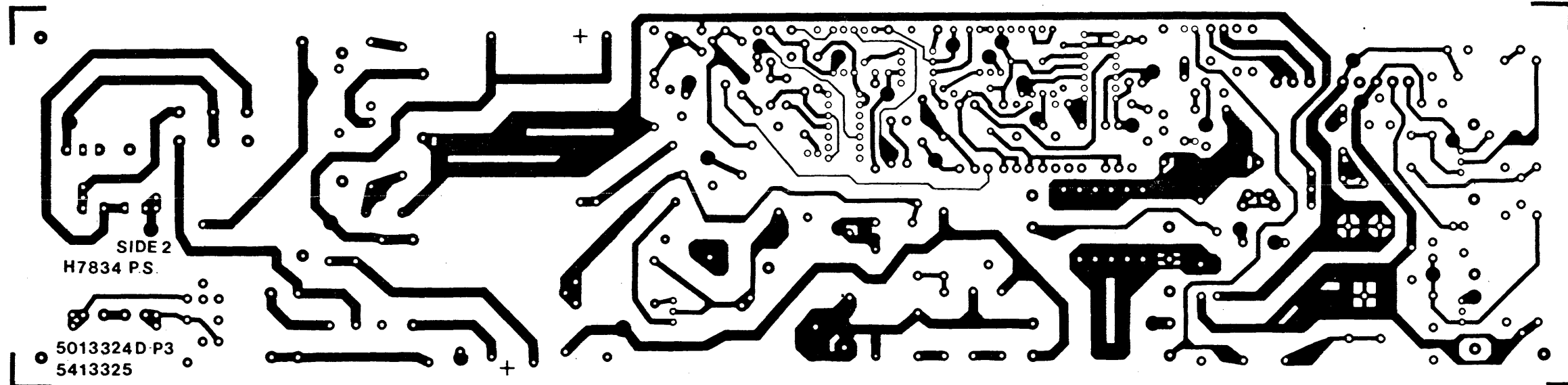
REVISIONS		
CHK	CHANGE NO	REV

TITLE	LA34 POWER SUPPLY	SIZE CODE	D UA	NUMBER	5413325 00	REV.	J
SCALE	2:1	SHEET	2	OF	3	DIST	

8 7 6 5 4 3 2 1

THIS DRAWING AND SPECIFICATIONS HEREIN ARE THE PROPERTY OF DIGITAL EQUIPMENT CORPORATION AND SHALL NOT BE REPRODUCED OR COPIED OR USED IN WHOLE OR IN PART AS THE BASIS FOR THE MANUFACTURE OR SALE OF ITEMS WITHOUT WRITTEN PERMISSION. COPYRIGHT © DIGITAL EQUIPMENT CORPORATION 1979

J 0-0-92325-0-0 D UA 2



J
D UA 5413325-0-0

REVISIONS		
CHK	CHANGE NO	REV

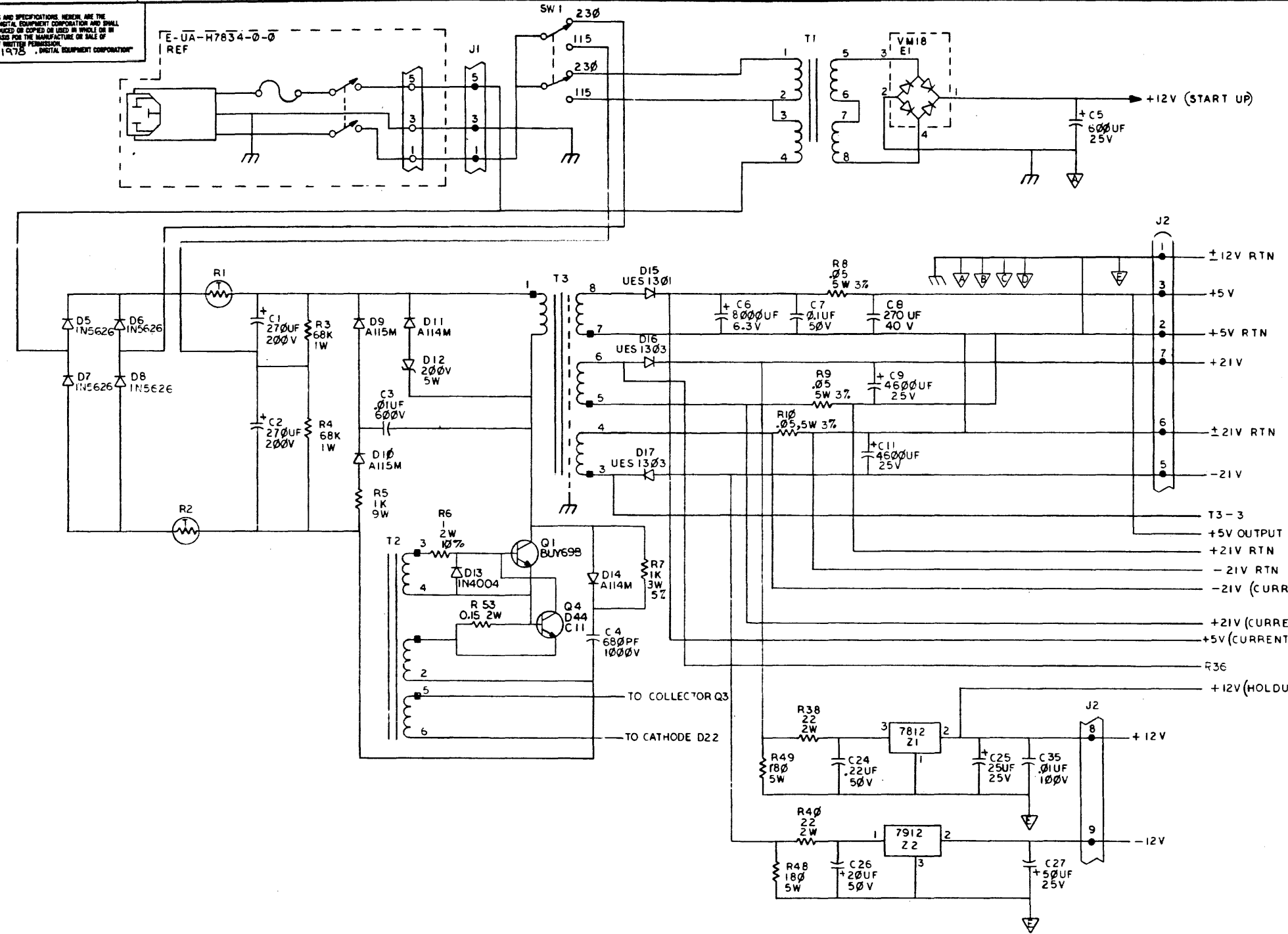
TITLE	LA34 POWER SUPPLY	SIZE CODE	D UA	NUMBER	5413325-0-0	REV	J
SCALE	2:1	SHEET	3	OF	3	DIST	

8 7 6 5 4 3 2 1

THIS DRAWING AND SPECIFICATIONS HEREIN ARE THE PROPERTY OF DIGITAL EQUIPMENT CORPORATION AND SHALL NOT BE REPRODUCED OR COPIED OR USED IN WHOLE OR IN PART AS THE BASIS FOR THE MANUFACTURE OR SALE OF ITEMS WITHOUT WRITTEN PERMISSION. COPYRIGHT © 1975 . DIGITAL EQUIPMENT CORPORATION

NOTES:
1. UNLESS OTHERWISE SPECIFIED ALL RESISTORS ARE 1/4 W, 5%.

E-UA-H7834-0-0 REF

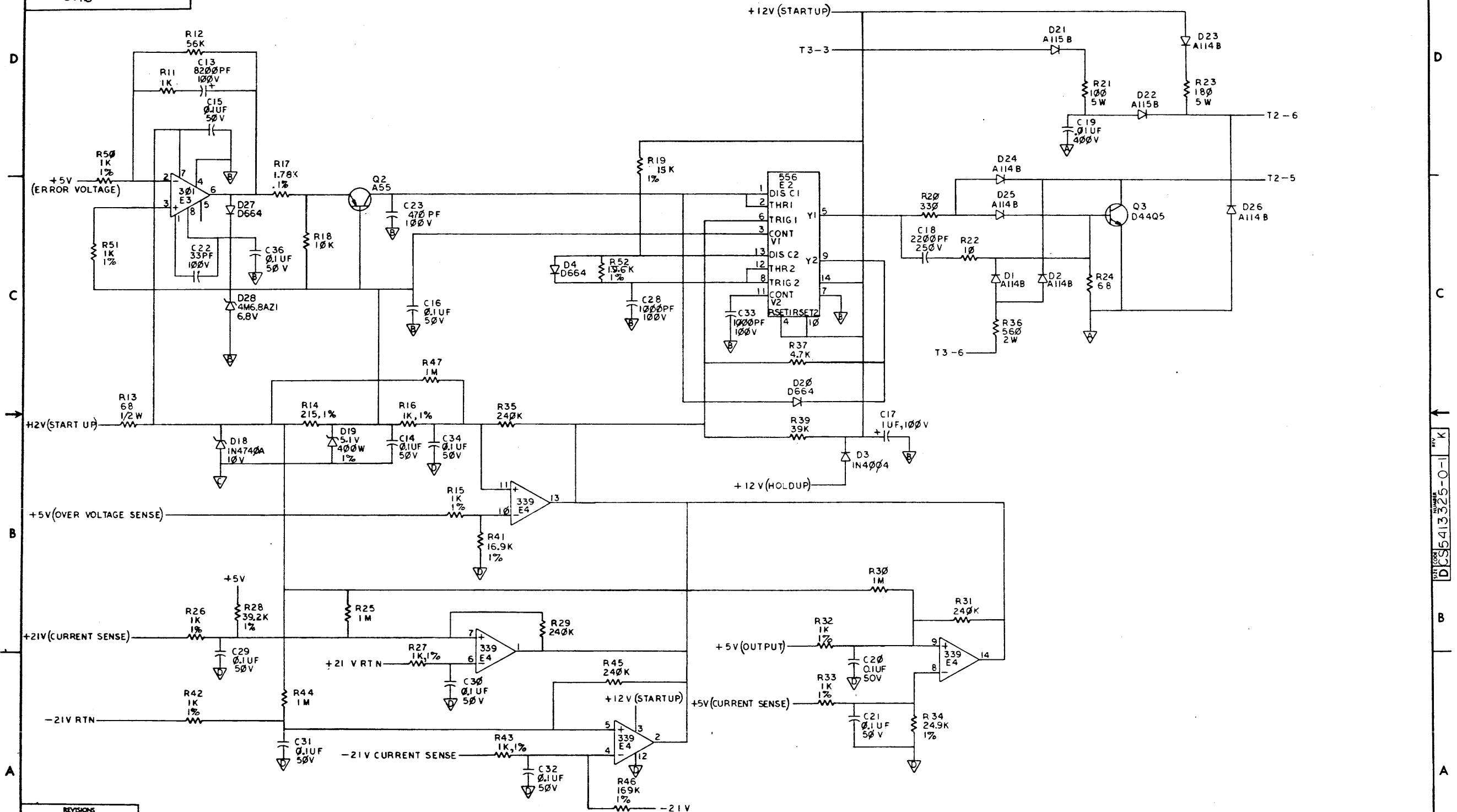


REV.	DATE	BY	CHKD	DESCRIPTION
1		J. DESUK		INITIAL DESIGN
2		J. BITTO		REVISED FOR MANUFACTURE
3		J. BITTO		REVISED FOR MANUFACTURE
4		J. BITTO		REVISED FOR MANUFACTURE
5		J. BITTO		REVISED FOR MANUFACTURE
6		J. BITTO		REVISED FOR MANUFACTURE
7		J. BITTO		REVISED FOR MANUFACTURE
8		J. BITTO		REVISED FOR MANUFACTURE

DRN. <i>[Signature]</i>	9 MAR 78	FIRST USED ON	LA34
CHK'D <i>[Signature]</i>	9/1/78	TITLE	LA34
ENG. <i>[Signature]</i>	11/77		POWER SUPPLY
PROJ. ENG. <i>[Signature]</i>	11/77		
PROD. <i>[Signature]</i>	11/77		
NEXT HIGHER ASSY.			
D-UA-5413325-0-0	SIZE	CODE	NUMBER
SCALE	D	CS	5413325-0-1
SHEET 1	OF 2	DIST.	

D 5413325-0-1 K

"THIS DRAWING AND SPECIFICATIONS HEREIN ARE THE PROPERTY OF DIGITAL EQUIPMENT CORPORATION AND SHALL NOT BE REPRODUCED OR COPIED OR USED IN WHOLE OR IN PART AS THE BASIS FOR THE MANUFACTURE OR SALE OF ITEMS WITHOUT WRITTEN PERMISSION. COPYRIGHT © 1974 DIGITAL EQUIPMENT CORPORATION"



REVISIONS		
CHK	CHANGE NO.	REV.

LINE ITEM	DOCUMENT NUMBER	PART NUMBER	DESCRIPTION	QTY PER VARIATION	REFERENCE DESIGNATOR
				00	
1	1	D-MD-5013324-0-0	LA34 POWER SUPPLY	1	
2	2	1000009-00	33.0 MMF 100V 55200PPM MICA	1	C22
3	3	1000042-00	1000.0 MMF 100V 5%200PPM MICA	2	C28,C33
4	4	1000055-00	2200.0 MMF 250V 20% Y5S DISC	1	C18
5	5	1000061-00	.0082 MFD 100V 10% MYLR	1	C13
6	6	1000075-00	25 MFD 25V +75-10% AL EL	1	C25
7	7	1001610-01	.01 MFD50/100V +80-20% DISC	1	C35
8	8	1001796-00	50 MFD 25V +75-10% AL EL	1	C27
9	9	1002837-00	20 MFD 50V +75-10% AL EL	1	C26
10	10	1005507-00	1 MFD 100V +50-10% AL EL	1	C17
11	11	1011847-01	.01 MFD 400V 10% POLYPROP	1	C19
12	12	1011847-02	.01 MFD 600V 10% POLYPROP	1	C3
13	13	1011849-01	600 MFD 25V +75-10% AL EL	1	C5
14	14	1013280-00	680.0 MMF 1000V 5%200PPM MICA	1	C4
15	15	1014265-00	.22 MFD 50V +80-20% CER	1	C24
16	16	1014265-01	.1 MFD 50V +80-20% CER	12	C7,C14,C15,C16,C21,C29,C30,C31, CONT C32,C34,C36,C20
17	17	1015466-00	8000 MFD 6.3V +75-10% AL EL	1	C6
18	18	1015377-00	4600 MFD 25V +75-10% AL EL	2	C9,C11
19	19	1015519-00	270 MFD 200V +50-10% AL EL	2	C1,C2
20	20	1100114-00	D 664 Q5\75PCB PIV= 25V SP	3	D4,D20,D27
21	21	1105796-00	1N 4004 PIV=400 I= 1A D041 SP	2	D3,D13
22	22	1105873-00	4M5-1AZ1 VZ= 5.1 1% .400W	1	D19
23	23	1112594-01	A115R PIV=200 I= 3A	2	D21,D22
24	24	1112594-02	A115M PIV=600 I= 3A	2	D9,D10
25	25	1112595-01	A114B PIV=200 I= 1A	6	D1,D2,D23-D25,D26
26	26	1112595-02	A114M PIV=600 I= 1A	2	D11,D14
27	27	1113123-00	1.5K3200 VOLT.TRANS.SUPPRESS. 220	1	D12
28	28	1114377-00	1N 4740A VZ= 10.0 5% 1W	1	D18
29	29	1114893-00	UES1301 PIV= 50 I= 6A	1	D15

REVISION HISTORY		BASIC PART NO: 5413325		DRN:	R E JOSEPHSON	DATE:	21-FEB-78	DIGITAL		
ENG	ECO NUMBER	REV	SECTION A OF A	CHK'D:	T. SHETRAWSKI	DATE:	7-JUN-78	TITLE	PARTS LIST	
---	INIT	B	SECTION.VARIATION INDEX	CHK'D:	T. SHETRAWSKI	DATE:	7-JUN-78			
JD	PN001	C	[A] 00					H7834 POWER SUPPLY MODULE		
JB	PN003	D	[B]							
JB	PN002	E	[C]	DES.ENG:	RALP MACKENZIE	DATE:	7-JUN-78			
JB	PN004	F	[D]							
JB	PN005	H	[E]							
GC	PN007	J	[F]	RESP.ENG.:	R MACKENZIE	DATE:	7-JUN-78			
			[G]					SIZE	CODE	NUMBER
			[H]							REV
			[I]							
			[J]							
			[K]	MFG.ENG.:	DON BEVINS	DATE:	7-JUN-78	K	PL	5413325-0-DBP
			[L]							J
			[M]	ASSEMBLY NUMBER:		TOP DOCUMENT NUMBER:		FILE NAME:		EDIT #
			[N]	!E-UA-5413325-0-0		!B-DD-5413325-0-0		!13325J.PLS		!32

"THIS DRAWING AND SPECIFICATIONS HEREIN, ARE THE PROPERTY OF DIGITAL EQUIPMENT CORPORATION AND SHALL NOT BE REPRODUCED OR COPIED OR USED IN WHOLE OR IN PART AS THE BASIS FOR THE MANUFACTURE OR SALE OF ITEMS WITHOUT WRITTEN PERMISSION. COPYRIGHT (C) 1981. DIGITAL EQUIPMENT CORPORATION"

LINE ITEM	DOCUMENT NUMBER	PART NUMBER	DESCRIPTION	QTY	PER VARIATION	REFERENCE DESIGNATOR
				00		
30	30	1115182-00	1N 5626 PIV=600 I= 3A	4		D5-D8
31	31	1115272-00	UES1303 PIV=150 I=6A	2		D16,D17
32	32	1115369-00	VM 18 PIV=100 I=1A	1		E1
33	33	1213426-04	HEAT SINK TO-3 CLEAR ANODIZED	1		
34	34	1214789-00	INSERT,THREADED 6-32 ,BRASS,ELEC	2		
35	35	1215307-00	HEADER 9POS RIGHT ANGLE	1		J2
36	36	1215307-01	HEADER 5POS RIGHT ANGLE	1		J1
37	37	1216064-00	SW,LOCK 2P RIGHT ANGLE TER	1		SW1
38	38	1300219-00	68.0 .25 W 5.0 % CC	1		R24
39	39	1300295-00	330.0 .25 W 5.0 % CC	1		R20
40	40	1300365-00	1.0 K .25 W 5.0 % CC	1		R11
41	41	1300447-00	4.70 K .25 W 5.0 % CC	1		R37
42	42	1300479-00	10.0 K .25 W 5.0 % CC	1		R18
43	43	1301317-00	10.0 .25 W 5.0 % CC	1		R22
44	44	1314675-00	1.0 K 3.0 W 5.0 % WW	1		R7
45	45	1301546-00	22.0 2.0 W 5.0 % CC	2		R38,R40
46	46	1301927-00	560.0 2.0 W 5.0 % CC	1		R36
47	47	1302395-00	56.0 K .25 W 5.0 % CC	1		R12
48	48	1302514-00	39.0 K .25 W 5.0 % CC	1		R39
49	49	1303114-00	1.0 K .25 W 1.0 % RN55D-F10	10		R15,R16,R26,R27,R32,R33,R42,R43,
					CONT	R50,R51
50	50	1302612-00	1.78 K .25 W 1.0 % RN55D-F10	1		R17
51	51	1305123-00	215.0 .25 W 1.0 % RN55D-F10	1		R14
52	52	1305265-00	39.20 K .25 W 1.0 % RN55D-F10	1		R28
53	53	1305405-00	24.90 K .25 W 1.0 % RN55D-F10	1		R34
54	54	1309094-00	100.0 5.0 W 5.0 % WW	1		R21
55	55	1309405-00	68.0 .50 W 5.0 % CC	1		R13
56	56	1313752-00	15.0 K .25 W 1.0 % RN55D-F10	1		R19
57	57	1309595-00	1.0 M .25 W 5.0 % CC	4		R25,R30,R44,R47
58	58	1310876-03	.05 5.0 W 3.0 % WW	3		R8-R10
59	59	1312618-00	16.90 K .25 W 1.0 % RN55D-F10	1		R41
60	60	1312655-00	180.0 5.0 W 5.0 % WW	3		R23,R48,R49
61	61	1312925-00	169.0 K .25 W 1.0 % RN55D-F10	1		R46
62	62	1313191-00	1.0 K 9.0 W 5.0 % WW	1		R5
63	63	1314253-00	240.0 K .25 W 5.0 % CC	4		R29,R31,R35,R45
64	64	1314270-00	5.0 15.0 % NTC THERM	2		R1,R2
65	65	1314350-00	1.0 2.0 W10.0 % FUSE	1		R6
66	66	1315586-00	68.0 K 1.0 W 5.0 % CC	2		R3,R4
67	67	1510706-00	XA 55 PNP 500MW SI 60 50 P	1		Q2
68	68	1512782-00	NPN 100W S1325 15	1		Q1
69	69	1514271-01	D 44Q5 NPN 31W SI225 30	1		Q3
70	70	1614778-00	XFMR P-AB S=6.0@ 100MA	1		T1
71	71	1612920-02	PULSE XFMR 30KHZ VT61	1		T2
72	72	1615559-01	XFMR P=240/360DC 54-13325	1		T3
73	73	1910282-00	301AN OP AMP	1		E3
74	74	1912048-01	*** THIS ITEM IS NOT USED ***	-		
75	75	1912108-00	339 VOLT CMPRTR,QUAD	1		E4
76	76	1914392-00	556 TIMER-DUAL	1		E2

! D ! I ! G ! I ! T ! A ! L !	! TITLE	! SECTION A OF A	! SIZE ! CODE !	! DOCUMENT NUMBER	! REV !
	H7834 POWER SUPPLY MODULE		K ! PL !	5413325-0-DBP	J

LINE ITEM	DOCUMENT NUMBER	PART NUMBER	DESCRIPTION	QTY PER VARIATION 00	REFERENCE DESIGNATOR
77	77	1914517-01	*** THIS ITEM IS NOT USED ***	-	
78	78	7015917-00	HEAT SINK ASSY	1	Z1
79	79	7015917-01	HEAT SINK ASSY	1	Z2
80	80	9006023-01	SCREW,PAN,PHIL 6-32X 7/16 SS	2	
81	81	9009798-00	SPACER, CERAMIC, .186 ODX.078 ID	14	
82	82	9009798-01	*** THIS ITEM IS NOT USED ***	-	
83	83	9009798-02	SPACER, CERAMIC, .186 ODX.078 ID	2	
84	84	9009882-00	WASHER, LOCK, INT TOOTH #6	2	
85	85	9009676-00	TERM LUG 1POS SOLDER	1	
86	86	1309419-00	19.40 K .25 W 1.0 % RN55D F10	1	R52
87	87	1000020-00	*** THIS ITEM IS NOT USED ***	-	
88	88	1310147-00	.15 2.0 W10.0 % WW	1	R53
89	89	1109991-01	4M6.8A21 VZ= 6.8 1% .40W	1	D28
90	90	1512790-00	D 44C12 NPN 30W SI	1	Q4
91	91	1012607-04	270 MFD 40V+100-10% AL EL	1	C8
92	92	1000024-00	470.0 MMF 100V 5%200PPM MICA	1	C23

D	I	G	I	T	A	L	TITLE	SECTION A OF A	SIZE	CODE	DOCUMENT NUMBER	REV
							H7834 POWER SUPPLY MODULE				5413325-0-DBP	J
									K	PL		

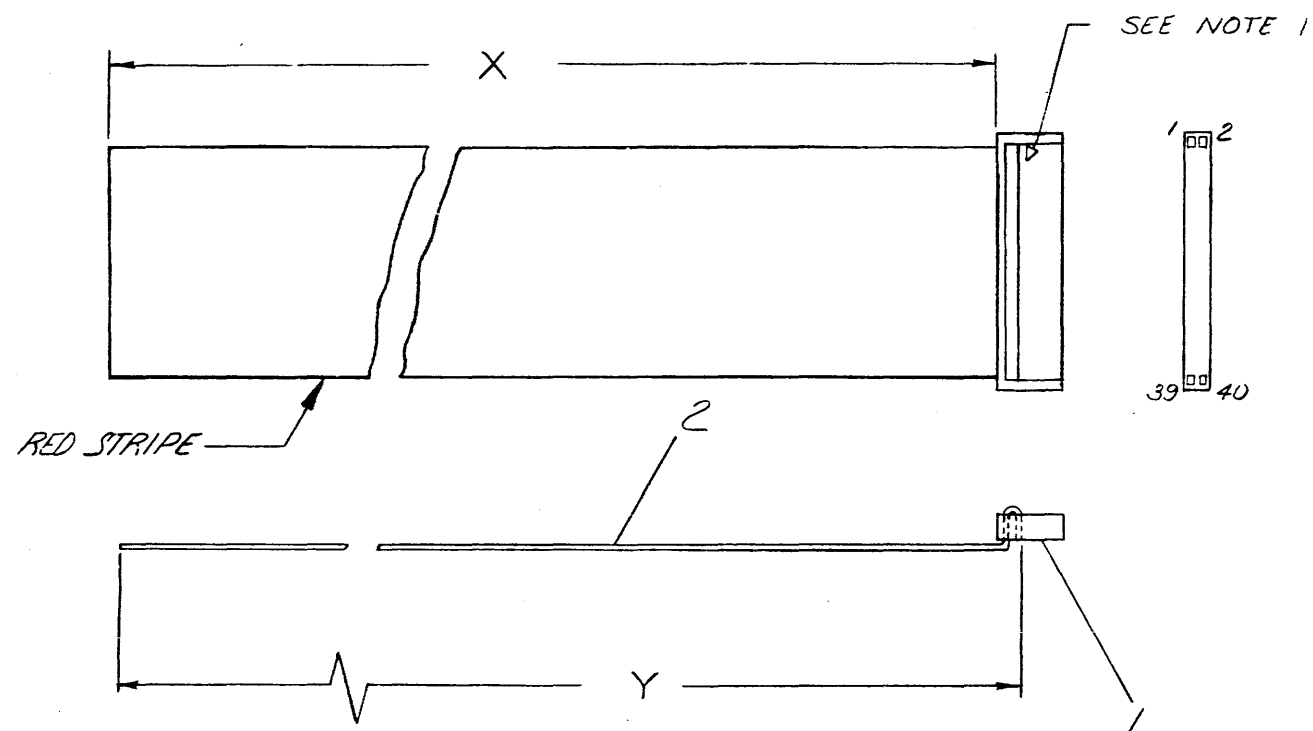
"THIS DRAWING AND SPECIFICATIONS, HEREIN, ARE THE PROPERTY OF DIGITAL EQUIPMENT CORPORATION AND SHALL NOT BE REPRODUCED OR COPIED OR USED IN WHOLE OR IN PART AS THE BASIS FOR THE MANUFACTURE OR SALE OF ITEMS WITHOUT WRITTEN PERMISSION. COPYRIGHT © 1978, DIGITAL EQUIPMENT CORPORATION"

LEGEND

NUMBER	DIA X VARIATION	DIM Y (PRECUT) REF
7015741-0K	8.5 IN ±.5 IN	9.0 IN

NOTES:

- ARROW OR INDEX MARK ON ITEM #1 INDICATES CONTACT POSITION #1



REV.	CHANGE NO.	REVISIONS

DEC FORM NO. DMC 188-C

DESCRIPTION	DWG./PART NO.	ITEM NO.
1/4" CABLE, 40 COND FLAT	9107738-01	2
1 CONN, 40 POSITION	1211206-00	1

ANGLES ±0° 30'	CLASS OF ACCURACY (CHECK ONE)	NOMINAL DIMENSION RANGE INCHES					
		OVER 0 TO 0.2	OVER 0.2 TO 1.2	OVER 1.2 TO 4.0	OVER 4.0 TO 12.0	OVER 12.0 TO 40.0	OVER 40.0 TO 80.0
	MEDIUM <input type="checkbox"/>	±.004	±.008	±.012	±.016	±.024	±.04
	PREFERRED <input checked="" type="checkbox"/>	±.012	±.016	±.025	±.04	±.062	±.1

THIRD ANGLE PROJECTION	DRN <i>[Signature]</i>	FIRST USED ON	LA134	digital
REMOVE BURRS AND BREAK SHARP CORNERS	CHK'D <i>[Signature]</i>	TITLE	CABLE KEYBOARD ASSY	
DO NOT SCALE DWG	ENG. <i>[Signature]</i>	PROJ. ENG. <i>[Signature]</i>		
MATERIAL	SEE PARTS LIST	PROD. <i>[Signature]</i>	SIZE	CODE
FINISH			C	IA
			NUMBER	REV.
			7015741-0-0	
			SHEET	OF
			1	1

REV. NUMBER 7015741-0-0

"THIS DRAWING AND SPECIFICATIONS HEREIN ARE THE PROPERTY OF DIGITAL EQUIPMENT CORPORATION AND SHALL NOT BE REPRODUCED OR COPIED OR USED IN WHOLE OR IN PART AS THE BASIS FOR THE MANUFACTURE OR SALE OF ITEMS WITHOUT WRITTEN PERMISSION. COPYRIGHT © 1978 DIGITAL EQUIPMENT CORPORATION"

LEGEND

NUMBER	DIM X VARIATION	DIM Y (PRE CUT) REF	USED ON	REMARKS
7015386-0J	7.0 IN ±.5 IN	8.5 IN	LA120	AS SHOWN
7015386-3F	3 FT ±1 IN	3 FT 1.5 IN	LA34	SEE NOTE #3

NOTES:

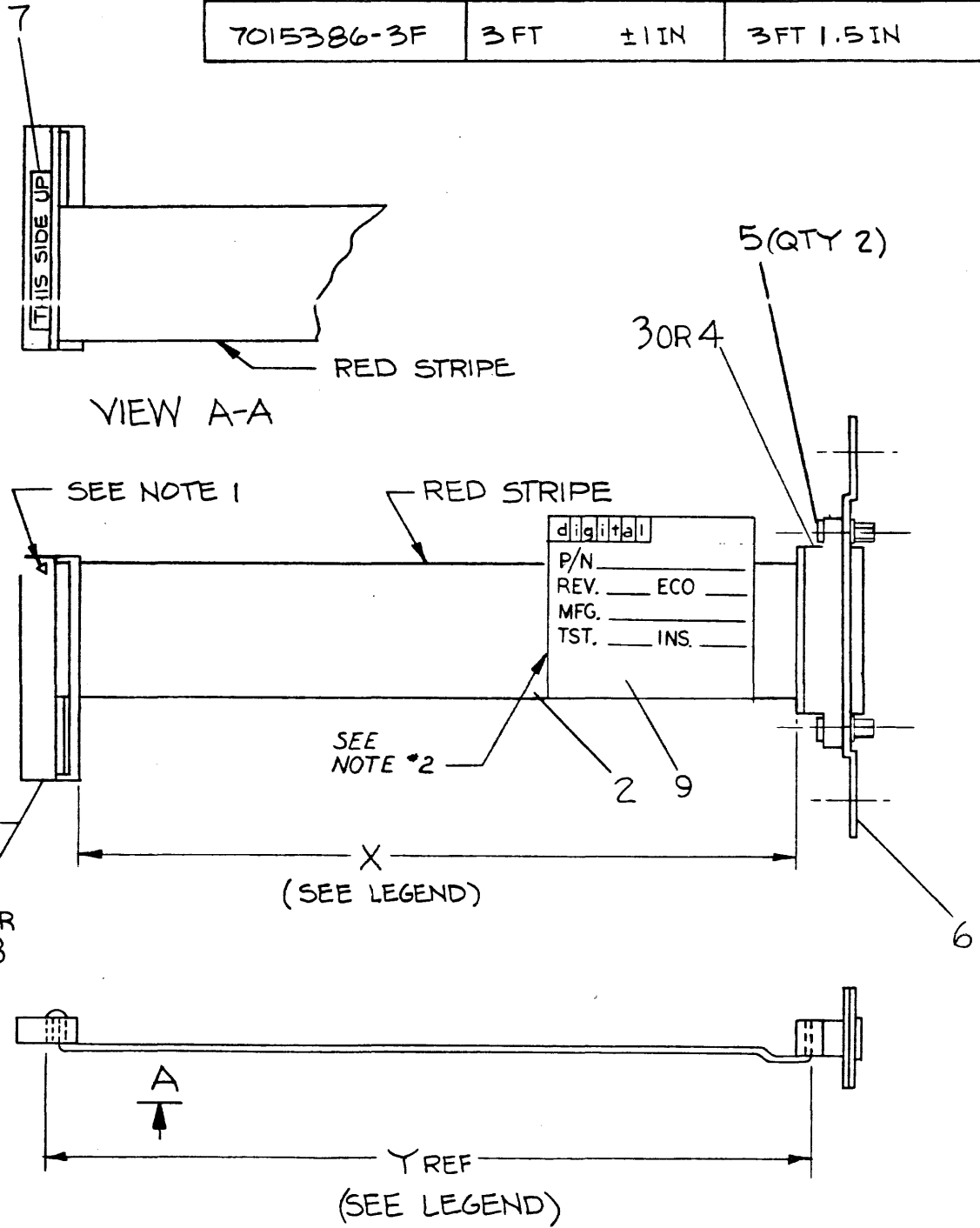
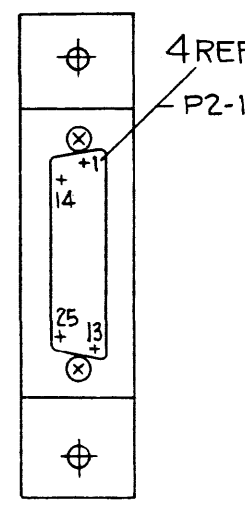
- ARROW OR INDEX MARK ON ITEM #1 INDICATES CONTACT POSITION #1.
- EITHER OF TWO METHODS OF CABLE IDENTIFICATION ARE ACCEPTABLE: I.D. LABEL, P/N 3616073-00 (FOLDED IN HALF AROUND CABLE) OR RUBBER STAMP. LABEL OR STAMP SHALL CONTAIN THE FOLLOWING; DEC PART NO., REV, AND DATE CODE.
- FOR THE -3F VARIATION WHEN USED ON THE LA34 FAMILY PRINTERS REMOVE PINS 13, 14, 16, 18, 21 AND 25 FROM P2 BEFORE CABLE IS ASSEMBLED.

SIGNAL NAME CONVERSION TABLE

P2 PIN DESIGNATION	SIGNAL NAME	P1 PIN DESIGNATION	EIA CIRCUIT NAME	C.C.I.T.T EQUIVALENT	C.C.I.T.T SIGNAL NAME (REF)
1	PROTECTIVE GND	1	AA	101	PROTECTIVE GND
2	TXD. EIA. L	3	BA	103	TRANSMIT DATA
3	RXD. EIA. L	5	BB	104	RECEIVE DATA
4	RTS. EIA. H	7	CA	105	REQUEST TO SEND
5	CTS. EIA. H	9	CB	106	CLEAR TO SEND
6	DSR. EIA. H	11	CC	107	DATA SET READY
7	SIG. GND SAFETY	13	AB	102	SIG. GND. COMMON RETURN
20	DTR. EIA. H	14	CD	108.2	DATA TERMINAL READY
8	CD. EIA. H	15	CF	109	RECEIVED LINE SIG. DETECTOR
22	RI. EIA. H	18	CE	125	RING INDICATOR

4. CONVERSION TABLE ABOVE IS FOR LA34 ONLY.

SEE NOTE 4 BELOW TABLE



SEE K-PL-7015386-0-DBP

DESCRIPTION	DWG./PART NO.	ITEM NO.
UNLESS OTHERWISE SPECIFIED DIMENSIONS ARE IN INCHES		
ANGLES ±0° 30'	CLASS OF ACCURACY (CHECK ONE)	NOMINAL DIMENSION RANGE INCHES
SURFACE QUALITY IN	MEDIUM <input type="checkbox"/>	OVER 0 TO 0.2 TO 0.2
	PREFERRED <input type="checkbox"/>	OVER 0.2 TO 1.2 TO 4.0
MICROWNCES		OVER 1.2 TO 4.0 TO 12.0
		OVER 4.0 TO 12.0 TO 40.0
		OVER 12.0 TO 40.0 TO 80.0

THIRD ANGLE PROJECTION

REMOVE BURRS AND BREAK SHARP CORNERS

DO NOT SCALE DWG

MATERIAL SEE PARTS LIST

FINISH

DRN: [Signature] 13 JAN 78

CHK'D: [Signature] 18 APR 78

ENG: [Signature] 21 APR 78

PROJ. ENG: [Signature] 20 APR 78

PROD. [Signature] 1 MAY 78

FIRST USED ON: LA120

TITLE: EIA CABLE ASSEMBLY

SIZE: C

CODE: IA

NUMBER: 7015386-0-0

REV: H

REV.	CHANGE NO.	BY	DATE
A	LA34 - PNO01	P. NELSON	24 JULY 78
B	LA120 - PNO27	P. NELSON	27 SEPT 78
C	LA120 - PNO41	R. O'CONNELL	6 NOV 78
D	LA34 - PNO38	J. BITTO	30 OCT 79
E	LA34 - PNO58	J. BITTO	1 FEB 80
F	LA120 - PNO28	J. BITTO	7 FEB 80
H	7015386-PNO01	J. BITTO	17 MAR 80
I		J. BITTO	7 APR 81

REVISIONS

NUMBER 7015386-0-0
 REV. H
 SIZE CODE CIA

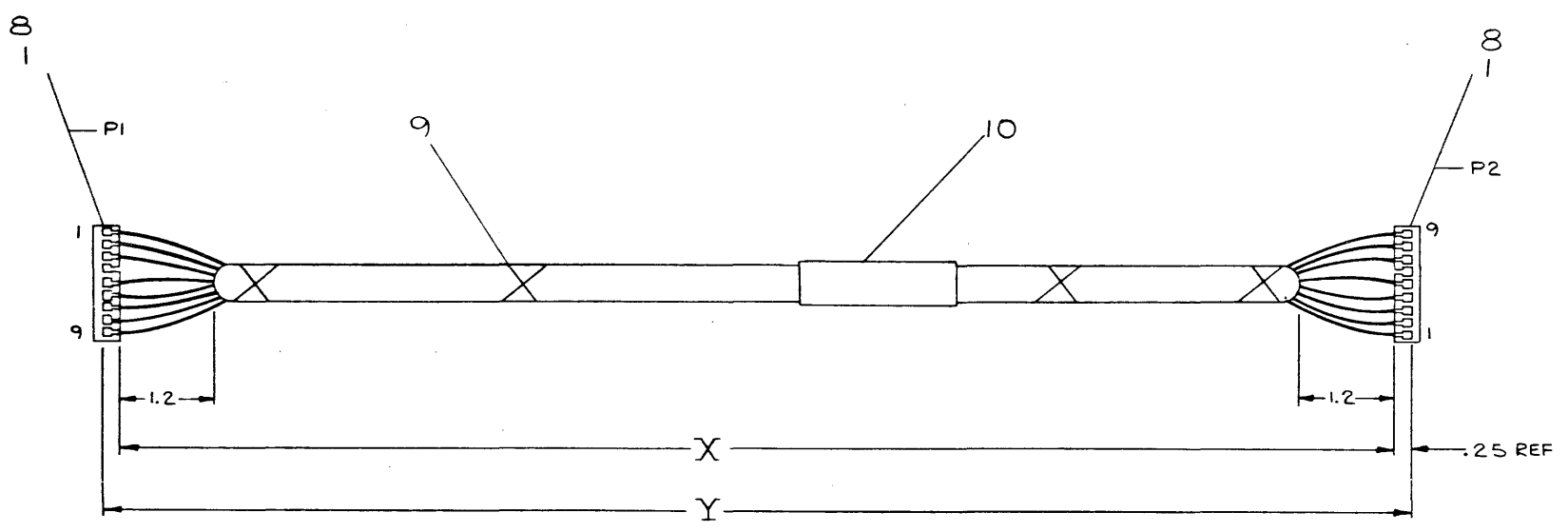
8 0-0-622910/1 2

THIS DRAWING AND SPECIFICATIONS, HEREIN, ARE THE PROPERTY OF DIGITAL EQUIPMENT CORPORATION AND SHALL NOT BE REPRODUCED OR COPIED OR USED IN WHOLE OR IN PART AS THE BASIS FOR THE MANUFACTURE OR SALE OF ITEMS WITHOUT WRITTEN PERMISSION.
COPYRIGHT © 1975, DIGITAL EQUIPMENT CORPORATION

WIRE TABLE						
ITEM NO.	DESCRIPTION	FROM	TO	LENGTH	SIGNAL	
4	18	BLK	P1-1	P2-9	16.88	GND
4	18	BLK	P1-2	P2-8	16.88	GND
3	18	RED	P1-3	P2-7	16.88	+5V
8	-	-	P1-4	-	-	KEY
5	18	BLUE	P1-5	P2-5	16.88	-21V
4	18	BLK	P1-6	P2-4	16.88	GND
2	18	ORN	P1-7	P2-3	16.88	+21V
6	18	WHT	P1-8	P2-2	16.88	+12V
7	18	VIO	P1-9	P2-1	16.88	-12V
8	-	-	P2-6	-	-	KEY

LEGEND		
NUMBER	DIM 'X' VARIATION	DIM 'Y' (PRECUT) REF
7015739-1E	16.38 IN. ± 1.0 IN	16.88 IN

- NOTES:
- USE CABLE TIES (X) ITEM 9 APPROXIMATELY EVERY FOUR (4) INCHES.
 - NO STRIPPING OR TINNING REQUIRED.
 - KEY PLUG ITEM #8 TO BE INSERTED INTO P2-6 AND P1-4.



SEE K-PL-7015739-0-DBP, PARTS LIST

DESCRIPTION	DWG. PART NO.	ITEM NO.
1 LABEL, ADHESIVE	3616073-00	1
AR TIE, CABLE	9010190-00	9
2 KEY PLUG	1215339-00	8
AIR WIRE, 18 AWG VIOLET STRD	9107360-77	7
AIR WIRE, 18 AWG WHITE STRD	9107360-99	6
AIR WIRE, 18 AWG BLUE STRD	9107360-66	5
AIR WIRE, 18 AWG BLACK STRD	9107360-00	4
AIR WIRE, 18 AWG RED STRD	9107360-22	3
AIR WIRE, 18 AWG ORANGE STRD	9107360-33	2
2 HOUSING, PLUG (9 PIN)	1215306-00	1

UNLESS OTHERWISE SPECIFIED DIMENSIONS ARE IN INCHES	
ANGLES	CLASS OF ACCURACY
30°	CHECK ONE
SURFACE QUALITY	MEDIUM
QUANTITY & VARIATION	PREFERRED

THIRD ANGLE PROJECTION

REMOVE BURRS AND BREAK SHARP CORNERS

DO NOT SCALE DWG

MATERIAL SEE PARTS LIST

FINISH

DRN: DEANIE [Signature] 10/21/78

CHK'D: [Signature] 10/21/78

ENG: [Signature] 10/21/78

PROJ. ENG: [Signature] 10/21/78

PROD: [Signature] 10/21/78

NEXT HIGHER ASSY.

E-AD-7015729-0-0

SCALE NONE

SHEET 1 OF 1

FIRST USED ON

LA34

TITLE

CABLE ASSY. LOGIC / POWER

SIZE CODE NUMBER REV.

D IA 7015739-0-0 B

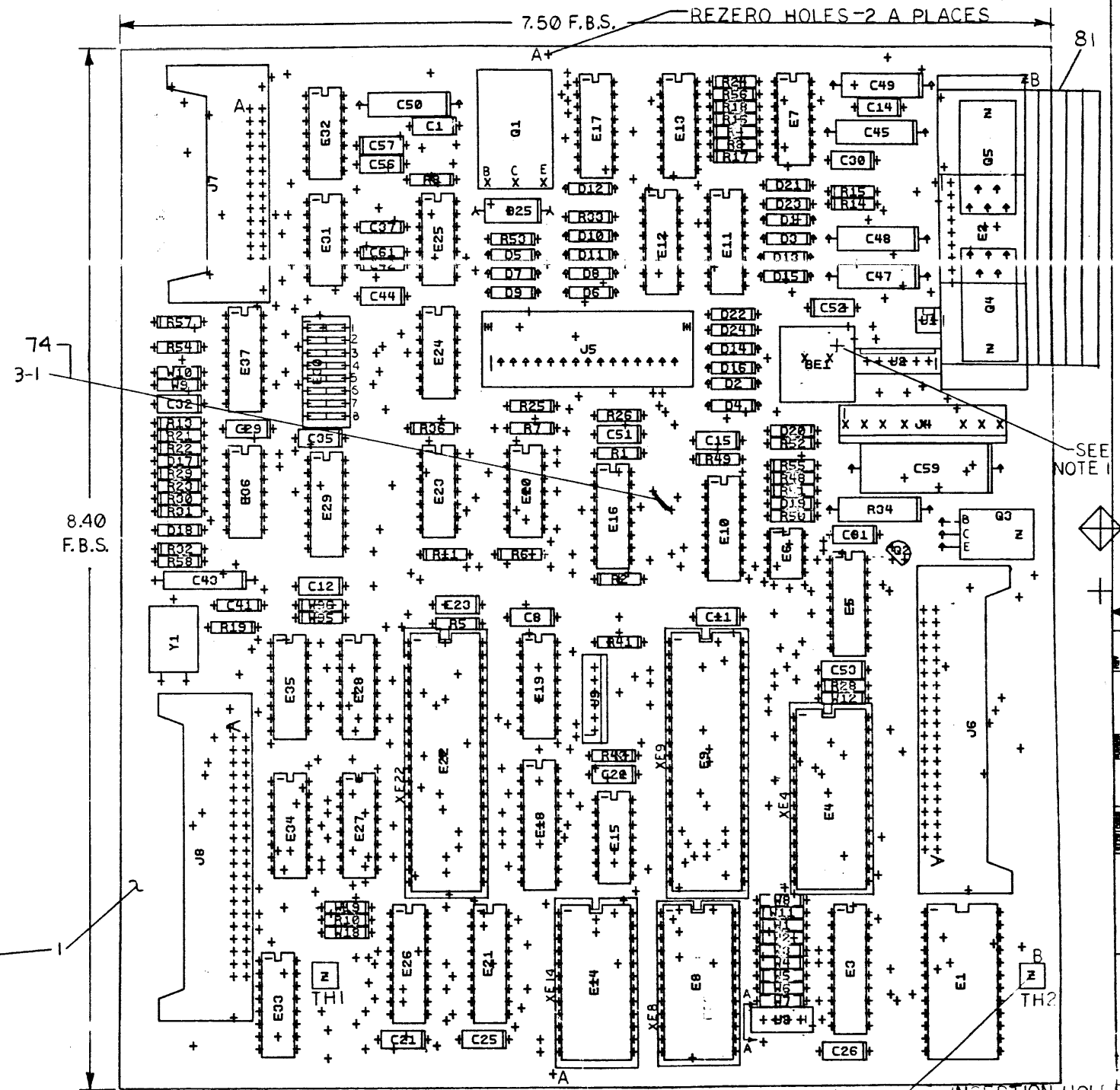
REV.	DATE	BY	CHKD
1	10/21/78	J. BITTO	J. BITTO
2	10/21/78	J. BITTO	J. BITTO

7015739-0-0

A

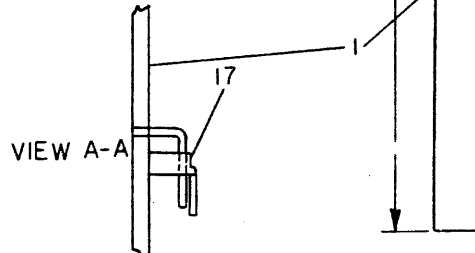
THIS DRAWING AND SPECIFICATIONS, HEREIN, ARE THE PROPERTY OF THE EQUIPMENT MANUFACTURER AND SHALL NOT BE REPRODUCED OR COPIED IN WHOLE OR IN PART OR FOR ANY PURPOSES WITHOUT THE WRITTEN PERMISSION OF THE EQUIPMENT MANUFACTURER.
 SUPPLEMENT 1980

COMPONENT SIDE VIEW



74
3-1

8.40
F.B.S.



NOTES: LONG LEAD OF BE1 IS ON PLUS (+) SIDE.
 2. DO NOT INSTALL C6, E8, XE8, Q4, Q5, W2, 4, 5, 7, 8, & W10.

STEP 1	→ Y AXIS NO. 5	STEP - TIMES
REPORT	→ X AXIS NO. 5	STEP - TIMES

CHK	CHANGE NO	REV	DATE
J.B.	5413747-PN001	E	
J.B.	5413747-PN001	F	
J.B.	5413747-PN001	H	
J.B.	5413747-PN001	J	
J.B.	5413747-PN001	K	
J.B.	5413747-PN001	L	
J.B.	5413747-PN001	M	
J.B.	5413747-PN001	N	

ETCH REV. E

SIGNATURES		DATE
DRN. Q. L. [Signature]		11/11/77
CHK'D [Signature]		11/11/77
MECH. ENG. [Signature]		11/11/77
PROJ. ENG. [Signature]		11/11/77
PROD. [Signature]		11/11/77
SCALE 2:1		SIZE CODE NUMBER
SHT. 1 OF 2		0 UA 5413747-0-0
NEXT HIGHER ASSY. B-DD-5413747-0		REV M

PN 1 MS# 160866

THIS DRAWING AND SPECIFICATIONS HEREIN ARE THE PROPERTY OF DIGITAL EQUIPMENT CORPORATION AND SHALL NOT BE REPRODUCED OR COPIED OR USED IN WHOLE OR IN PART AS THE BASIS FOR THE MANUFACTURE OR SALE OF ITEMS WITHOUT WRITTEN PERMISSION.
 COPYRIGHT © DIGITAL EQUIPMENT CORPORATION

REWORK INSTRUCTIONS

ECO # 3

WIRE ADD SIDE ONE

1. AFTER BOARD HAS BEEN BUILT AND TESTED, TWO ETCHES MUST BE CUT AND A JUMPER WIRE (9105740-55) ADDED TO THE BOARD.
 ON SIDE ONE CUT, THE ETCH AT E10 PINS 2 AND 3. ADD A JUMPER WIRE BETWEEN THE TWO FEED THROUGH HOLES IN THE ETCH RUNS FROM E10 PINS 2 AND 3.

REVISIONS		
CHK	CHANGE NO	REV.

TITLE	LA34 CONTROL BOARD	SIZE CODE	D UA	NUMBER	5413747-0-0	REV.	M
SCALE	2/1	SHEET	2	OF	2	DIST.	

LINE	ITEM	DOCUMENT NUMBER	PART NUMBER	DESCRIPTION	QTY PER VARIATION				REFERENCE DESIGNATOR
					00	99	01	02	
1	1	D-ND-5013746-0-0	5013746-00	DRILL&ETCH BOARD	1	1	1	1	
2	2		1001610-00	.01 MFD 50V +80-20% 250 CER	1	1	1	1	C32
3	3		1005636-00	22 MFD 6V 10% S,TANT	1	1	1	1	C43
4	4		1012084-01	8 MFD 25V +75-10% AL EL	5	5	5	5	C45,C47-C49,C50
5	5		1012219-00	47 MFD 30V +75-10% AL EL	1	1	1	1	C59
6	6		1012784-00	.047 MFD 50V +80-20% CER	21	21	21	21	C1,C8,C11,C12,C14,C15,C21-C23, CONT C25,C26,C29,C30,C31,C35,C44, CONT C51-C53,C56,C57
7	7		1013466-12	2200.0 MMF 50V 10% YTP CER	1	1	1	1	C42
8	8		1013466-18	330.0 MMF 50V 5% CER	1	1	1	1	C37
9	9		1013466-31	15.0 MMF 50V 5% CER	1	1	1	1	C41
10	10		1101938-00	1N 4370A VZ= 2.4 5% .40W	1	1	1	1	D18
11	11		1105275-00	D 672 TR= 15NS PIV= 60V SI	7	7	7	7	D17,D19-D24
12	12		1105796-00	1N 4004 PIV=400 I= 1A D041 SP	16	16	16	16	D1-D16
13	13		1110854-00	1N 5353B VZ= 16.0V 5% .40W M	1	1	1	1	D25
14	14		1209941-02	HEADER 100 40POS RT ANGLE	2	2	2	2	J6,J8
15	15		1209941-09	HEADER 26POS RT ANGLE RCPT	1	1	1	1	J7
16	16		1211164-04	SW,DIP 1P 1A 8POS	1	1	1	1	E30
17	17		1215921-00	CONN, 4PIN WAFER,RIGHT ANG	1	1	1	1	J3
18	18		1215006-06	SKT,IC 24PIN DIP TIN PLATEE	1	1	1	1	XE14
19	19		1215006-08	SKT,IC 40PIN DIP TIN PLATEE	2	2	2	2	XE22,XE9
20	20		1215323-00	CONN, 6POS POLARIZING & LO	2	2	2	2	J9,J2
21	21		1215323-02	CONN, 2POS POLARIZING & LO	1	1	1	1	J1
22	22		1215324-00	CONN 15POS GOLD PLATED	1	1	1	1	J5
23	23		1215635-01	TRANSDUCER,MINATURE AUDIO FOR LA	1	1	1	1	BE1
24	24		1215699-00	HEADER 9POS STRAIGHT	1	1	1	1	J4
25	25		1300005-07	R NETWORK 15-4.7K 5.0 % 16PIN	1	1	1	1	F29
26	26		1300247-00	120.0 .25 W 5.0 % CC	1	1	1	1	R31
27	27		1300295-00	330.0 .25 W 5.0 % CC	8	8	8	8	R5,R14,R15,R28,R49,R54-R56
28	28		1300365-00	1.0 K .25 W 5.0 % CC	7	7	7	7	R13,R19,R29,R36,R40,R41,R53

REVISION HISTORY		BASIC PART NO: 5413747		DRW:	DAVID DROZD	DATE:	21-MAR-80	D I G I T A L			
ENG	ECD NUMBER	REV	SECTION A OF B	CHK'D:	TONY SHEWTRASKI	DATE:	21-MAR-80	TITLE PARTS LIST			
---	INITIAL	D	SECTION VARIATION INDEX	DES.ENG:	DON DODSON	DATE:	21-MAR-80	DOCUMENT NUMBER			
1JB	15413747-PN001	F	[A] 00,99,01,02	RESP.ENG.:	DON DODSON	DATE:	21-MAR-80	SIZE	CODE	NUMBER	REV
1JB	15413747-PN002	F	[B] 03	MFG.ENG.:	JOHN MCSHANE	DATE:	21-MAR-80	K	PL	5413747-0-DRP	M
1JB	15413747-PN003	H	[C]	ASSEMBLY NUMBER:		TOP DOCUMENT NUMBER:		FILE NAME:		EDIT :	
1JB	15413747-PN004	J	[D]	D-UA-5413747-0-0				13747M.PLS		7	
1JB	15413747-PN005	K	[E]								
1JB	15413747-PN006	L	[F]								
1JB	15413747-PN007	M	[H]								
			[J]								
			[K]								
			[L]								
			[M]								
			[N]								

"THIS DRAWING AND SPECIFICATIONS HEREIN, ARE THE PROPERTY OF DIGITAL EQUIPMENT CORPORATION AND SHALL NOT BE REPRODUCED OR COPIED OR USED IN WHOLE OR IN PART AS THE BASIS FOR THE MANUFACTURE OR SALE OF ITEMS WITHOUT WRITTEN PERMISSION. COPYRIGHT (C) 1981, DIGITAL EQUIPMENT CORPORATION"

LINE	ITEM	DOCUMENT NUMBER	PART NUMBER	DESCRIPTION	QTY PER VARIATION				REFERENCE DESIGNATOR
					00	99	01	02	
29	29		1300417-00	2.20 K .25 W 5.0 % CC	1	1	1	1	R33
30	30		1300439-00	3.30 K .25 W 5.0 % CC	1	1	1	1	R50
31	31		1300479-00	10.0 K .25 W 5.0 % CC	7	7	7	7	R6-R8,R10,R11,R21,R22
32	32		1300488-00	12.0 K .25 W 5.0 % CC	1	1	1	1	R32
33	33		1301423-00	6.80 K .25 W 5.0 % CC	11	11	11	11	R1-R4,R16-R18,R24-R26,R30
34	34		1301890-00	560.0 .25 W 5.0 % CC	1	1	1	1	R48
35	35		1302388-00	2.0 K .25 W 5.0 % CC	1	1	1	1	R51
36	36		1302466-00	100.0 K .25 W 5.0 % CC	2	2	2	2	R23,R58
37	37		1302602-00	56.0 .25 W 5.0 % CC	1	1	1	1	R52
38	38		1312452-00	3.74 K .25 W 1.0 % RN55D-F10	1	1	1	1	R57
39	39		1315676-00	300.0 3.0 W 5.0 % WW 9	1	1	1	1	R34
40	40		1510706-00	XA 55 PNP 500MW SI 60 50 P	1	1	1	1	Q2
41	41		1514509-00	TIP 125 PNP 65W SI 60 500 BA	1	1	1	1	Q3
42	42		1515370-00	TIP146 PNP DARLINGTON-CONNECTED	1	1	1	1	Q1
43	43		1812396-03	XTAL 4.000 MHZ	1	1	1	1	Y1
44	44		1910322-00	DEC 1488L DRIVER,LINE,QUAD,EI	1	1	1	1	E32
45	45		1910406-00	75451 DRIVER,PERIPH,DUAL,	1	1	1	1	E6
46	46		1910741-00	7406 INVERTER GATE-HEX 1I	1	1	1	1	E7
47	47		1912108-00	339 VOLT CMPRTR,QUAD	1	1	1	1	E36
48	48		1912697-00	LS174 FF-D HEX W/CLEAR	1	1	1	1	E34
49	49		1912799-00	LS00 NAND-GATE-QUAD 2IN,P	1	1	1	1	E15
50	50		1912805-00	LS08 AND GATE-QUAD 2IN,PO	1	1	1	1	E25
51	51		1912807-00	LS10 NAND GATE-TRIPLE 3IN	1	1	1	1	E23
52	52		1912816-00	LS32 OR GATE-QUAD 2IN,POS	1	1	1	1	E20
53	53		1912824-00	LS74 FF-D DUAL,EDGE TRIGG	1	1	1	1	E24
54	54		1912842-00	LS138 DECODER-THREE INPUT,	1	1	1	1	E35
55	55		1912843-00	LS139 DECODER, 2 OF 4(DUAL)	1	1	1	1	E19
56	56		1912846-00	LS155 DECODER,2 OF 4(DUAL)	1	1	1	1	E33
57	57		1912863-00	LS273 FF-D OCTAL W/CLEAR	1	1	1	1	E18
58	58		1913130-00	DEC 1489A RECEIVER,LINE,QUAD,	1	1	1	1	E31
59	59		1913471-00	LS367 DRIVER,BUS,HEX,TRI-	3	3	3	3	E10,E28,E27
60	60		1913777-00	LS240 DRIVER,LINE,OCTAL,T	1	1	1	1	E3
61	61		1913950-00	LS156 DECODER,2 OF 4(DUAL)	1	1	1	1	E5
62	62		1914072-00	74159 DECODER-4 TO 16 UPN	1	1	1	1	E1
63	63		1914560-00	LS368 DRIVER,BUS,HEX,TRI-	3	3	3	3	E13,E16,E37
64	64		1915261-00	DEC 2841B DRIVER,1.5A QUAD	3	3	3	3	E11,E12,E17
65	65		1915636-00	*** THIS ITEM IS NOT USED ***	-	-	-	-	
66	66		2113107-01	P 8251A PUSART COMM. INTERFA	1	1	1	1	E4
67	67		2113954-00	DC 305 INTERFACE CHIP NT	1	1	1	1	E9
68	68		2114212-01	P 2114 RAM,1024X4,STATIC 18	2	2	2	2	E21,E26
69	69		2114963-00	UP,8-BIT NMOS GL	1	1	1	1	E22
70	70	SEE NOTE 1	23021E4-00	E4-01,E4-02,E4-03	1	-	-	-	E14
71	71		9009185-00	JUMPER, WIRE, INSULATED, BLACK B	10	10	10	10	W1,W3,W6,W9,W11,W12,W18,W19,W95, CONT W96
72	72		1215006-07	SKT,IC 28PIN DIP TIN PLATEE	1	1	1	1	XE4
73	73	SEE NOTE 2	23030E4-00	E4-01,E4-03	-	-	1	-	E14
74	74		9105740-55	WIRE(WRAP)30AWG UL1423	A/R	A/R	A/R	A/R	
75	75	SEE NOTE 3	23034E4-00	E4-01,E4-02,E4-03	-	-	-	1	E14

1	1	1	1	1	1	TITLE	54-13747 BOARD	SECTION A OF B	SIZE	CODE	DOCUMENT NUMBER	5413747-0-DBP	REV	M
1	D	I	G	I	T	A	L		K	PL				

LINE ITEM	DOCUMENT NUMBER	PART NUMBER	DESCRIPTION	QTY PER VARIATION				REFERENCE DESIGNATOR	
				00	99	01	02		
76	76	SEE NOTE 4	23033E4-00	*** THIS ITEM IS NOT USED ***	-	-	-	-	
77	77		1916002-00	DRIVER, MOTOR CONT	2	2	2	2	Q4,Q5
78	78		9006023-01	SCREW,PAN,PHIL 6-32X 7/16 SS	2	2	2	2	
79	79		9008185-00	NUT,KEP , 6-32X1/4 AF	2	2	2	2	
80	80		9008268-00	COMPOUND, THERMAL JOINT	A/R	A/R	A/R	A/R	
81	81		7424745-00	HEAT SINK, H DRIVERS	1	1	1	1	

- 82 NOTE: 1. PT#23021E4-00 CAN HAVE A 01 OR AN 03 VARIATION.
- 83 NOTE: 2. PT#23030E4-00 CAN HAVE A 00 THRU 03 VARIATION.
- 84 NOTE: 3. PT#23034E4-00 CAN HAVE A 00 THRU 03 VARIATION.
- 85 NOTE: 4. PT#23033E4-00 CAN HAVE A 00 THRU 03 VARIATION.

D	I	G	I	T	A	L	TITLE	54-13747 BOARD	SECTION A OF B	SIZE	CODE	DOCUMENT NUMBER	REV
										K	PL	5413747-0-DBP	M

LINE	ITEM	DOCUMENT NUMBER	PART NUMBER	DESCRIPTION	QTY	REF VARIATION	REFERENCE DESIGNATOR
1	1	D-MD-5013746-0-0	5013746-00	DRILL&ETCH BOARD	1		
2	2		1001610-00	.01 MFD 50V +80-20% 250 CER	1		C32
3	3		1005636-00	22 MFD 6V 10% S.TANT	1		C43
4	4		1012084-01	8 MFD 25V +75-10% AL EL	5		C45,C47-C49,C50
5	5		1012219-00	47 MFD 30V +75-10% AL EL	1		C59
6	6		1012784-00	.047 MFD 50V +80-20% CER	21		C1,C8,C11,C12,C14,C15,C21-C23, C25,C26,C29,C30,C31,C35,C44, CONT C51-C53,C56,C57
7	7		1013466-12	2200.0 MMF 50V 10% X7R CER	1		C42
8	8		1013466-18	330.0 MMF 50V 5% CER	1		C37
9	9		1013466-31	15.0 MMF 50V 5% CER	1		C41
10	10		1101938-00	1N 4370A VZ= 2.4 5% .40W	1		D18
11	11		1105275-00	D 672 TR= 15NS PIV= 60V SI	7		D17,D19-D24
12	12		1105796-00	1N 4004 PIV=400 I= 1A D041 SP	16		D1-D16
13	13		1110854-00	1N 5353B VZ= 16.0V 5% .40W M	1		D25
14	14		1209941-02	HEADER 100 40POS RT ANGLE	2		J6,J8
15	15		1209941-09	HEADER 26POS RT ANGLE RCPT	1		J7
16	16		1211164-04	SW,DIP 1P 1A 8POS	1		E30
17	17		1215921-00	CONN, 4PIN WAFER,RIGHT ANG	1		J3
18	18		1215006-06	SKT,IC 24PIN DIP TIN PLATEE	1		XE14
19	19		1215006-08	SKT,IC 40PIN DIP TIN PLATEE	2		XE22,XE9
20	20		1215323-00	CONN, 6POS POLARIZING & LO	2		J9,J2
21	21		1215323-02	CONN, 2POS POLARIZING & LO	1		J1
22	22		1215324-00	CONN 15POS GOLD PLATED	1		J5
23	23		1215635-01	TRANSDUCER,MINATURE AUDIO FOR LA	1		BE1
24	24		1215699-00	HEADER 9POS STRAIGHT	1		J4
25	25		1300005-07	R NETWORK 15-4.7K 5.0 % 16PIN	1		E29
26	26		1300247-00	120.0 .25 W 5.0 % CC	1		R31
27	27		1300295-00	330.0 .25 W 5.0 % CC	8		R5,R14,R15,R28,R49,R54-R56
28	28		1300365-00	1.0 K .25 W 5.0 % CC	7		R13,R19,R29,R30,R40,R41,R53

REVISION HISTORY		BASIC PART NO: 5413747		DRN:	DAVID DROZD	DATE:	21-MAR-80	DIGITAL			
ENG!	ECO NUMBER	REV	SECTION B OF B	CHK'D:	TONY SHEWTRASKI	DATE:	21-MAR-80	PARTS LIST			
			SECTION VARIATION INDEX					TITLE			
			[A] 00,99,01,02					54-13747 BOARD			
			[B] 03					DOCUMENT NUMBER			
			[C]					RESP.ENG.: DON DODSON DATE: 21-MAR-80			
			[D]					MFG.ENG.: JOHN MCSHANE DATE: 21-MAR-80			
			[E]					SIZE	CODE	NUMBER	REV
			[F]					K	PL	5413747-0-DBP	M
			[H]					ASSEMBLY NUMBER: TOP DOCUMENT NUMBER: FILE NAME: EDIT #			
			[J]					D-DA-5413747-0-0 13747M,PLS 7			
			[K]								
			[L]								
			[M]								
			[N]								

"THIS DRAWING AND SPECIFICATIONS HEREIN, ARE THE PROPERTY OF DIGITAL EQUIPMENT CORPORATION AND SHALL NOT BE REPRODUCED OR COPIED OR USED IN WHOLE OR IN PART AS THE BASIS FOR THE MANUFACTURE OR SALE OF ITEMS WITHOUT WRITTEN PERMISSION. COPYRIGHT (C) 1981, DIGITAL EQUIPMENT CORPORATION"

LINE	ITEM	DOCUMENT NUMBER	PART NUMBER	DESCRIPTION	QTY	PER VARIATION	REFERENCE DESIGNATOR
					03		
29	29		1300417-00	2.20 K .25 W 5.0 % CC	1		R33
30	30		1300439-00	3.30 K .25 W 5.0 % CC	1		R50
31	31		1300479-00	10.0 K .25 W 5.0 % CC	7		R6-R8,R10,R11,R21,R22
32	32		1300488-00	12.0 K .25 W 5.0 % CC	1		R32
33	33		1301423-00	6.80 K .25 W 5.0 % CC	11		R1-R4,R16-R18,R24-R26,R30
34	34		1301890-00	560.0 .25 W 5.0 % CC	1		R48
35	35		1302388-00	2.0 K .25 W 5.0 % CC	1		R51
36	36		1302466-00	100.0 K .25 W 5.0 % CC	2		R23,R58
37	37		1302602-00	56.0 .25 W 5.0 % CC	1		R52
38	38		1312452-00	3.74 K .25 W 1.0 % RN55D-F10	1		R57
39	39		1315676-00	300.0 3.0 W 5.0 % WW 9	1		R34
40	40		1510706-00	XA 55 PNP 500MW SI 60 50 P	1		Q2
41	41		1514509-00	TIP 125 PNP 65W SI 60 500 BA	1		Q3
42	42		1515370-00	TIP146 PNP DARLINGTON-CONNECTED	1		O1
43	43		1812396-03	XTAL 4.000 MHZ	1		Y1
44	44		1910322-00	DEC 1488L DRIVER,LINE,QUAD,EI	1		E32
45	45		1910406-00	75451 DRIVER,PERIPH,DUAL,	1		E6
46	46		1910741-00	7406 INVERTER GATE-HEX 11	1		E7
47	47		1912108-00	339 VOLT CMPRTR,QUAD	1		E36
48	48		1912697-00	LS174 FF-D HEX W/CLEAR	1		E34
49	49		1912799-00	LS00 NAND-GATE-QUAD 2IN,P	1		E15
50	50		1912805-00	LS08 AND GATE-QUAD 2IN,PO	1		E25
51	51		1912807-00	LS10 NAND GATE-TRIPLE 3IN	1		E23
52	52		1912816-00	LS32 OR GATE-QUAD 2IN,POS	1		E20
53	53		1912824-00	LS74 FF-D DUAL,EDGE TRIGG	1		E24
54	54		1912842-00	LS138 DECODER-THREE INPUT,	1		E35
55	55		1912843-00	LS139 DECODER, 2 OF 4(DUAL)	1		E19
56	56		1912846-00	LS155 DECODER,2 OF 4(DUAL)	1		E33
57	57		1912863-00	LS273 FF-D OCTAL W/CLEAR	1		E18
58	58		1913130-00	DEC 1489A RECEIVER,LINE,QUAD,	1		F31
59	59		1913471-00	LS367 DRIVER,BUS,HEX,TRI-	3		E10,E28,E27
60	60		1913777-00	LS240 DRIVER,LINE,OCTAL,T	1		E3
61	61		1913950-00	LS156 DECODER,2 OF 4(DUAL)	1		E5
62	62		1914072-00	74159 DECODER-4 TO 16 OPN	1		E1
63	63		1914560-00	LS368 DRIVER,BUS,HEX,TRI-	3		E13,E16,E37
64	64		1915261-00	DEC 2841B DRIVER,1.5A QUAD	3		E11,E12,E17
65	65		1915636-00	*** THIS ITEM IS NOT USED ***	-		
66	66		2113107-01	P 8251A PUSART COMM. INTERFA	1		E4
67	67		2113954-00	DC 305 INTERFACE CHIP NT	1		E9
68	68		2114212-01	P 2114 RAM,1024X4,STATIC 18	2		E21,E26
69	69		2114963-00	UP,8-BIT NMOS GL	1		F22
70	70	SEE NOTE 1	23021E4-00	*** THIS ITEM IS NOT USED ***	-		
71	71		9009185-00	JUMPER, WIRE, INSULATED, BLACK B	10		W1,W3,W6,W9,W11,W12,W18,W19,W95,
						CONT	W96
72	72		1215006-07	SKT,IC 28PIN DIP TIN PLATEE	1		XE4
73	73	SEE NOTE 2	23030E4-00	*** THIS ITEM IS NOT USED ***	-		
74	74		9105740-55	WIRE(WRAP)30AWG UL1423	A/R		
75	75	SEE NOTE 3	23034E4-00	*** THIS ITEM IS NOT USED ***	-		

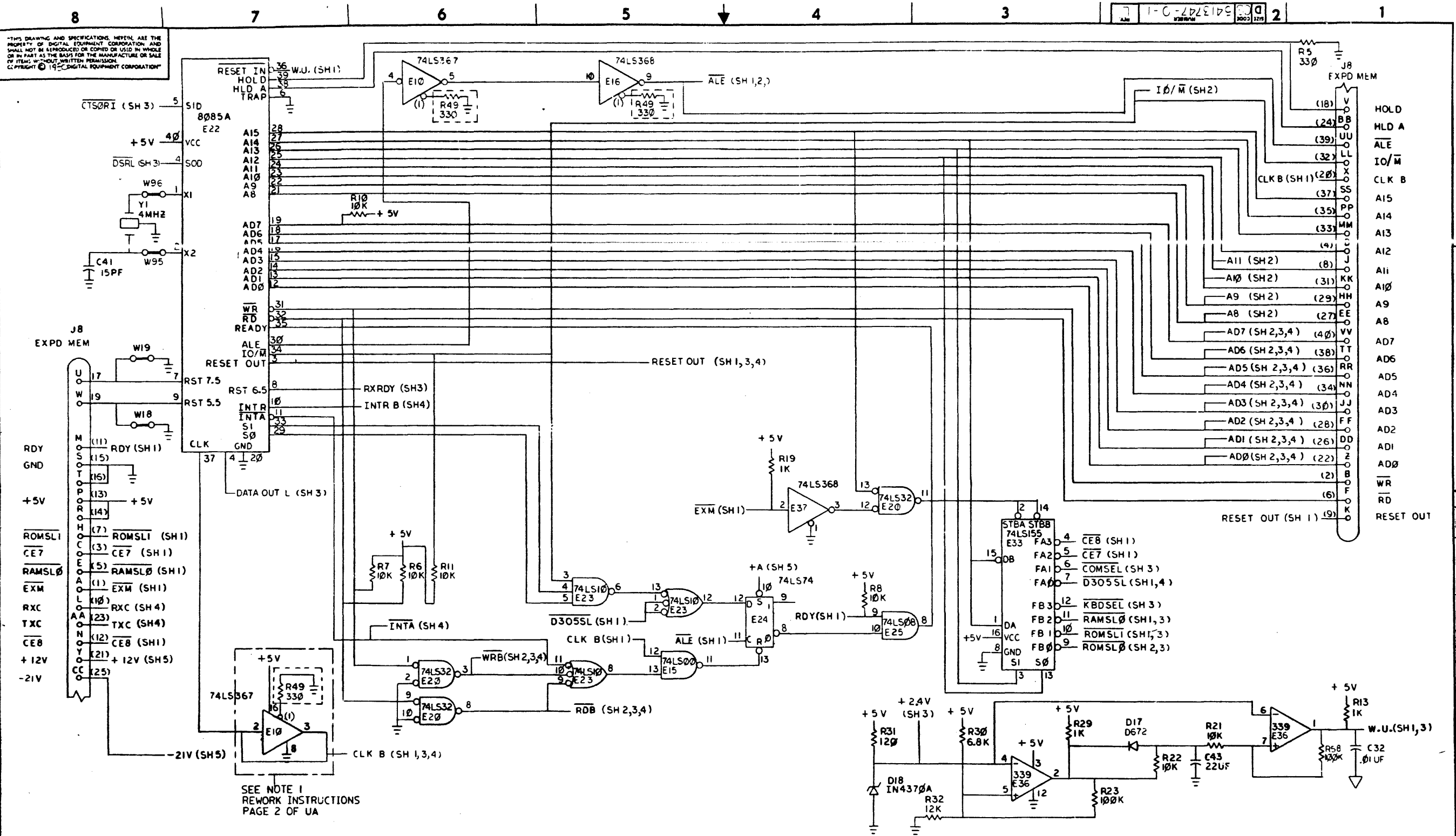
DI	GI	TI	AI	TITLE	SECTION	OF	SIZE	CODE	DOCUMENT NUMBER	REV
D	I	G	I	T	A	I	K	PL	5413747-0-DBP	M
				54-13747 BOARD	B	B				

LINE	ITEM	DOCUMENT NUMBER	PART NUMBER	DESCRIPTION	QTY PER VARIATION 03	REFERENCE DESIGNATOR
76	76	SEE NOTE 4	23033E4-00	E4-01,E4-02,E4-03	1	E14
77	77		1916002-00	DRIVER, MOTOR CONT	RD 2	Q4,Q5
78	78		9006023-01	SCREW,PAN,PHIL 6-32X 7/16 SS	2	
79	79		9008185-00	NUT,KEP , 6-32X1/4 AF	2	
80	80		9008268-00	COMPOUND, THERMAL JOINT	A/R	
81	81		7424745-00	HEAT SINK, H DRIVERS	1	

- 82 NOTE: 1. PT#23021E4-00 CAN HAVE A 01 OR AN 03 VARIATION.
 83 NOTE: 2. PT#23030E4-00 CAN HAVE A 00 THRU 03 VARIATION.
 84 NOTE: 3. PT#23034E4-00 CAN HAVE A 00 THRU 03 VARIATION.
 85 NOTE: 4. PT#23033E4-00 CAN HAVE A 00 THRU 03 VARIATION.

D	I	G	I	T	A	L	TITLE	54-13747 BOARD	SECTION B OF B	SIZE	CODE	DOCUMENT NUMBER	REV
										K	PL	5413747-0-DBP	M

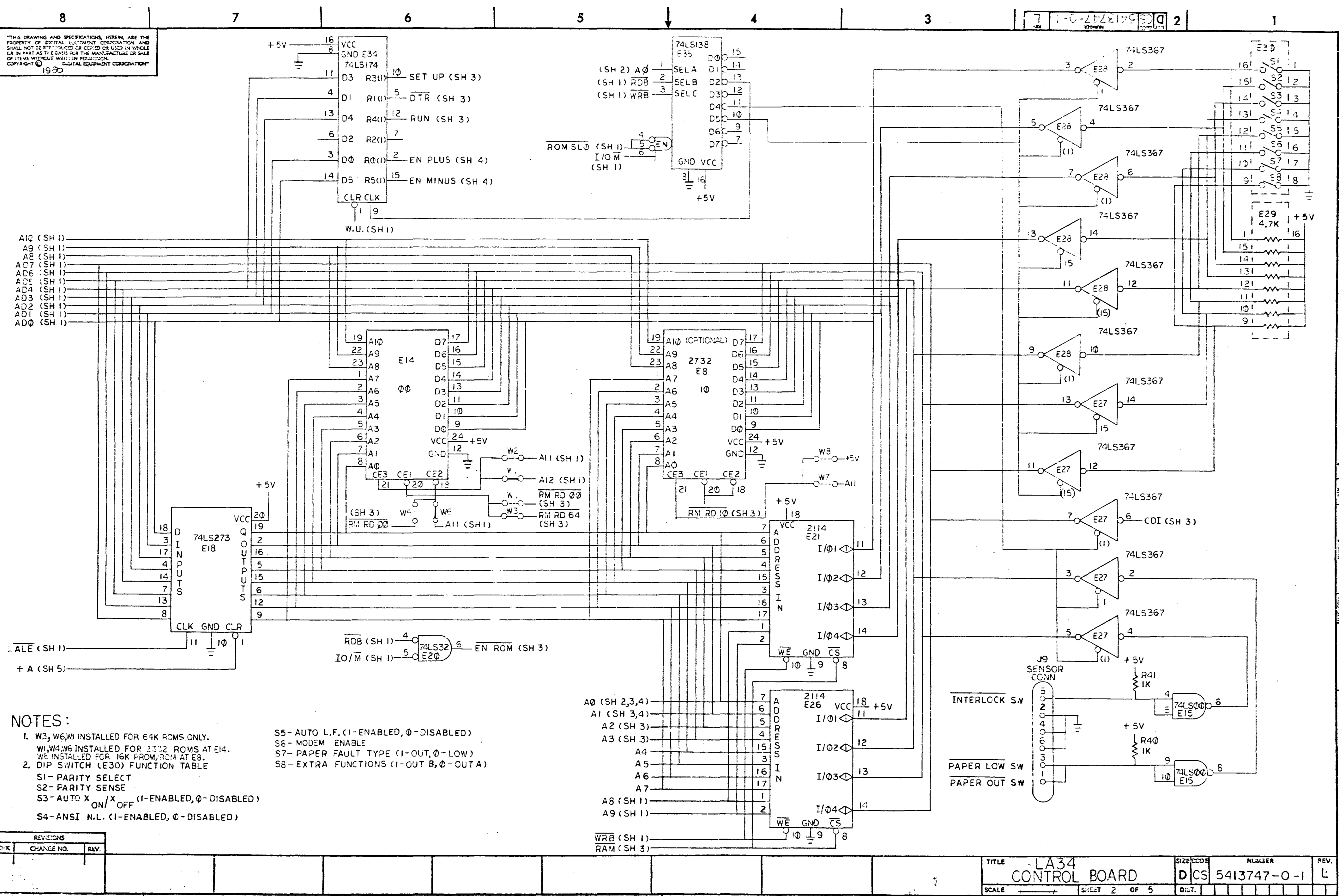
THIS DRAWING AND SPECIFICATIONS, HEREIN, ARE THE PROPERTY OF DIGITAL EQUIPMENT CORPORATION AND SHALL NOT BE REPRODUCED OR COPIED OR USED IN WHOLE OR IN PART AS THE BASIS FOR THE MANUFACTURE OR SALE OF ITEMS WITHOUT WRITTEN PERMISSION. COPYRIGHT © 1975 DIGITAL EQUIPMENT CORPORATION



REV.	CHG.	BY	DATE	DESCRIPTION
1		J. BITTO	5-11-75	INITIAL DESIGN
2		J. BITTO	5-11-75	REVISION 1
3		J. BITTO	5-11-75	REVISION 2
4		J. BITTO	5-11-75	REVISION 3
5		J. BITTO	5-11-75	REVISION 4
6		J. BITTO	5-11-75	REVISION 5
7		J. BITTO	5-11-75	REVISION 6
8		J. BITTO	5-11-75	REVISION 7

DIR. J. BITTO	DATE 5-11-75	FIRST USED ON LA34
CHKD. J. BITTO	DATE 5-11-75	TITLE LA34
ENG. J. BITTO	DATE 5-11-75	CONTROL BOARD
PROJ. ENG. J. BITTO	DATE 5-11-75	
NEXT HIGHER ASSY.		
B-DD-5413747-0	SIZE CODE	NUMBER
SCALE	D	CS 5413747-0-1
SHEET 1 OF 5	DIST.	REV L

THIS DRAWING AND SPECIFICATIONS HEREIN ARE THE PROPERTY OF DIGITAL EQUIPMENT CORPORATION AND SHALL NOT BE REPRODUCED OR COPIED OR USED IN WHOLE OR IN PART AS THE BASIS FOR THE MANUFACTURE OR SALE OF ITEMS WITHOUT WRITTEN PERMISSION. DIGITAL EQUIPMENT CORPORATION. COPYRIGHT © 1970



NOTES:

- 1. W3, W6, W1 INSTALLED FOR 64K ROMS ONLY.
- W1, W4, W6 INSTALLED FOR 2732 ROMS AT E14.
- W5 INSTALLED FOR 16K PROM/ROM AT E8.
- 2. DIP SWITCH (E30) FUNCTION TABLE
- S1- PARITY SELECT
- S2- PARITY SENSE
- S3- AUTO X ON/OFF (I-ENABLED, ϕ -DISABLED)
- S4- ANSI N.L. (I-ENABLED, ϕ -DISABLED)

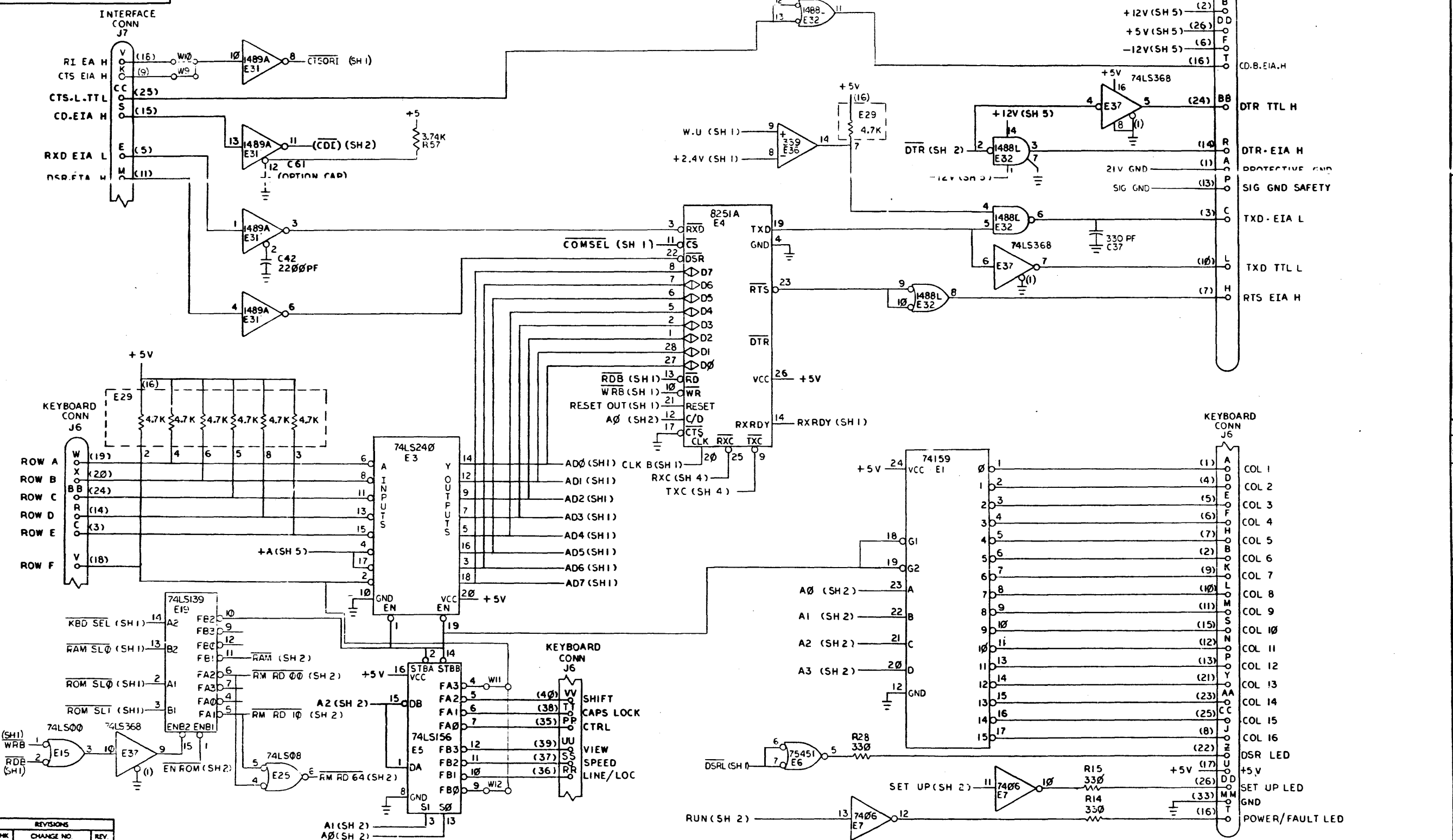
- S5- AUTO L.F. (I-ENABLED, ϕ -DISABLED)
- S6- MODEM ENABLE
- S7- PAPER FAULT TYPE (I-OUT, ϕ -LOW)
- S8- EXTRA FUNCTIONS (I-OUT B, ϕ -OUT A)

- A0 (SH 2,3,4)
- A1 (SH 3,4)
- A2 (SH 3)
- A3 (SH 3)
- A4
- A5
- A6
- A7
- A8 (SH 1)
- A9 (SH 1)
- WRB (SH 1)
- RAM (SH 3)

REVISIONS		
CHK	CHANGE NO.	REV.

TITLE	LA34 CONTROL BOARD	SIZE CODE	DCS	NUMBER	5413747-0-1	REV.	L
SCALE	SHEET 2 OF 5	DIST.					

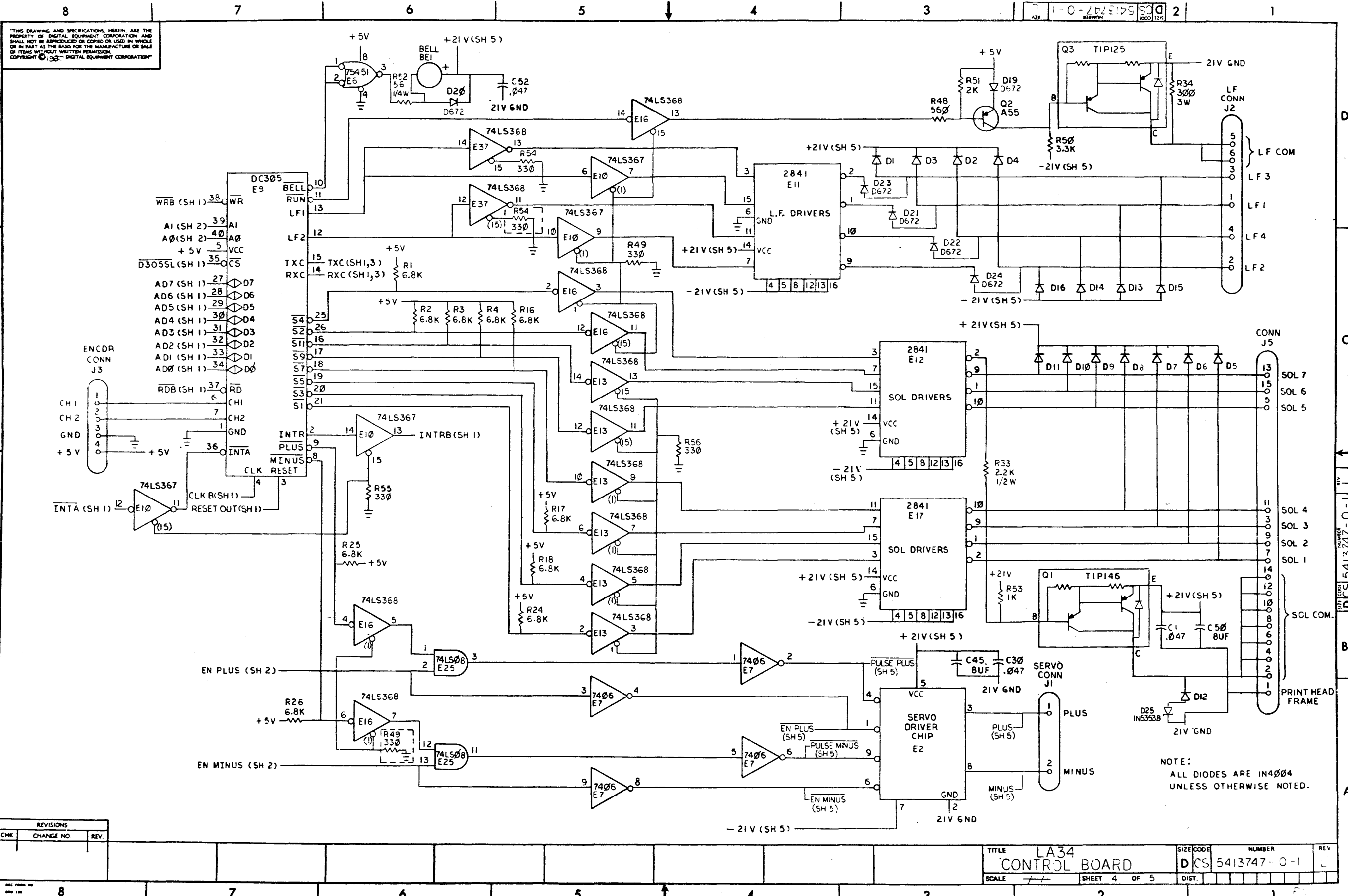
THIS DRAWING AND SPECIFICATIONS HEREIN ARE THE PROPERTY OF DIGITAL EQUIPMENT CORPORATION AND SHALL NOT BE REPRODUCED OR COPIED OR USED IN WHOLE OR IN PART AS THE BASIS FOR THE MANUFACTURE OR SALE OF ITEMS WITHOUT WRITTEN PERMISSION. COPYRIGHT © 1973 DIGITAL EQUIPMENT CORPORATION.



REVISIONS		
CHK	CHANGE NO.	REV.

TITLE	LA34 CONTROL BOARD	SIZE CODE	D CS	NUMBER	5413747-0-1	REV.	L
SCALE	1:1	SHEET	3	OF	5	DIST.	

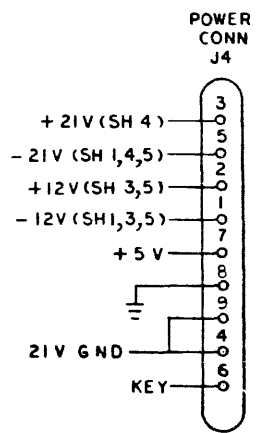
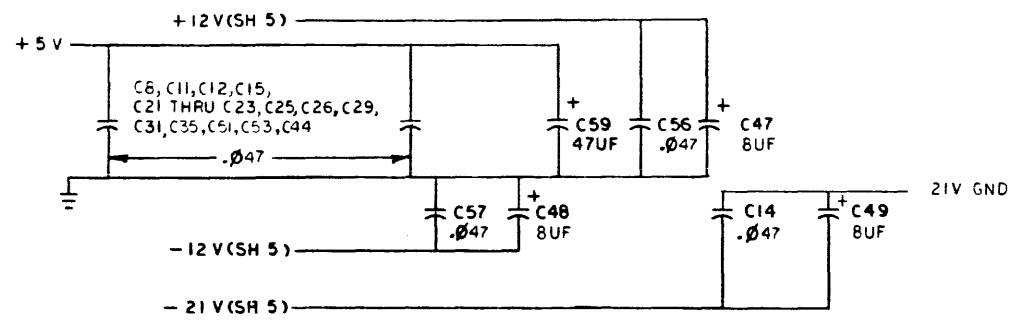
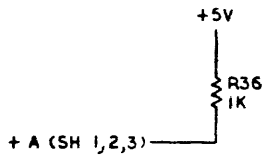
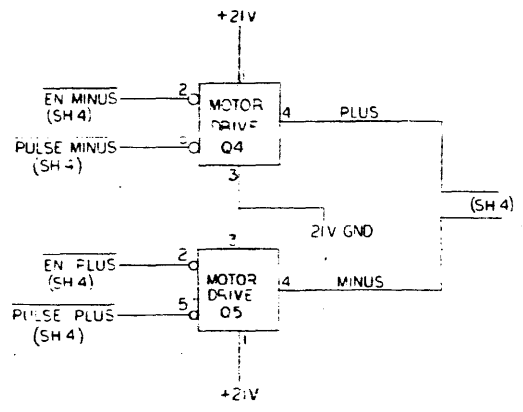
THIS DRAWING AND SPECIFICATIONS HEREIN ARE THE PROPERTY OF DIGITAL EQUIPMENT CORPORATION AND SHALL NOT BE REPRODUCED OR COPIED OR USED IN WHOLE OR IN PART AS THE BASIS FOR THE MANUFACTURE OR SALE OF ITEMS WITHOUT WRITTEN PERMISSION. COPYRIGHT © 1978 DIGITAL EQUIPMENT CORPORATION



REVISIONS		
CHK	CHANGE NO	REV.

TITLE	LA34 CONTROL BOARD	SIZE CODE	D CS	NUMBER	5413747-0-1	REV.	1
SCALE	++	SHEET	4	OF	5	DIST.	

THIS DRAWING AND SPECIFICATIONS HEREIN ARE THE PROPERTY OF DIGITAL EQUIPMENT CORPORATION AND SHALL NOT BE REPRODUCED OR COPIED OR USED IN WHOLE OR IN PART AS THE BASIS FOR THE MANUFACTURE OR SALE OF ITEMS WITHOUT WRITTEN PERMISSION. COPYRIGHT © 1968 DIGITAL EQUIPMENT CORPORATION



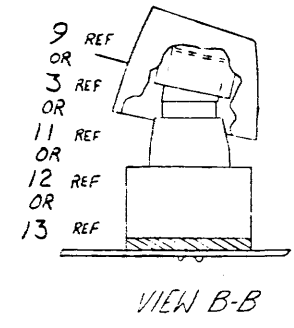
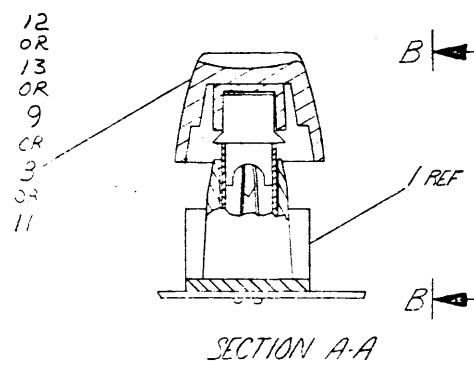
NOTE:
1. Q4 AND Q5 MAY BE USED IN PLACE OF E2

REVISIONS		
CHK	CHANGE NO	REV.

TITLE	LA34 CONTROL BOARD	SIZE CODE	DCS	NUMBER	5413747-0-1	REV.	L
SCALE		SHEET	5	OF	5	DIST.	

PIU

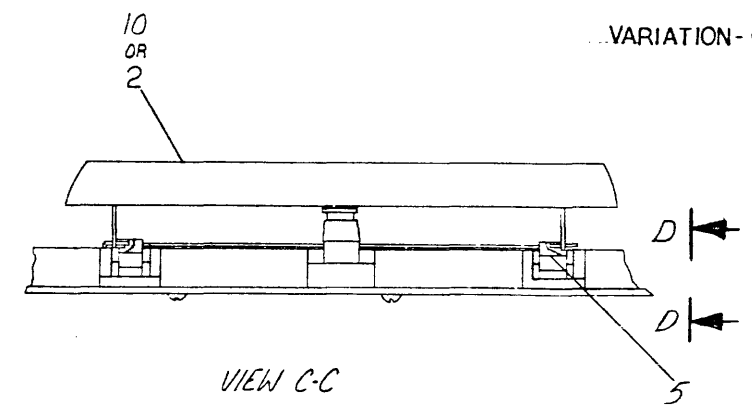
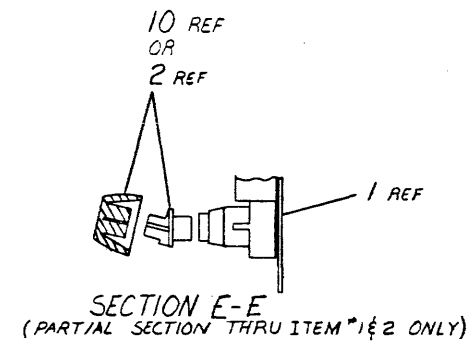
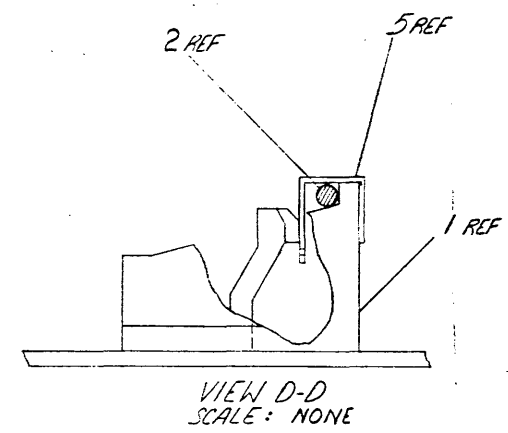
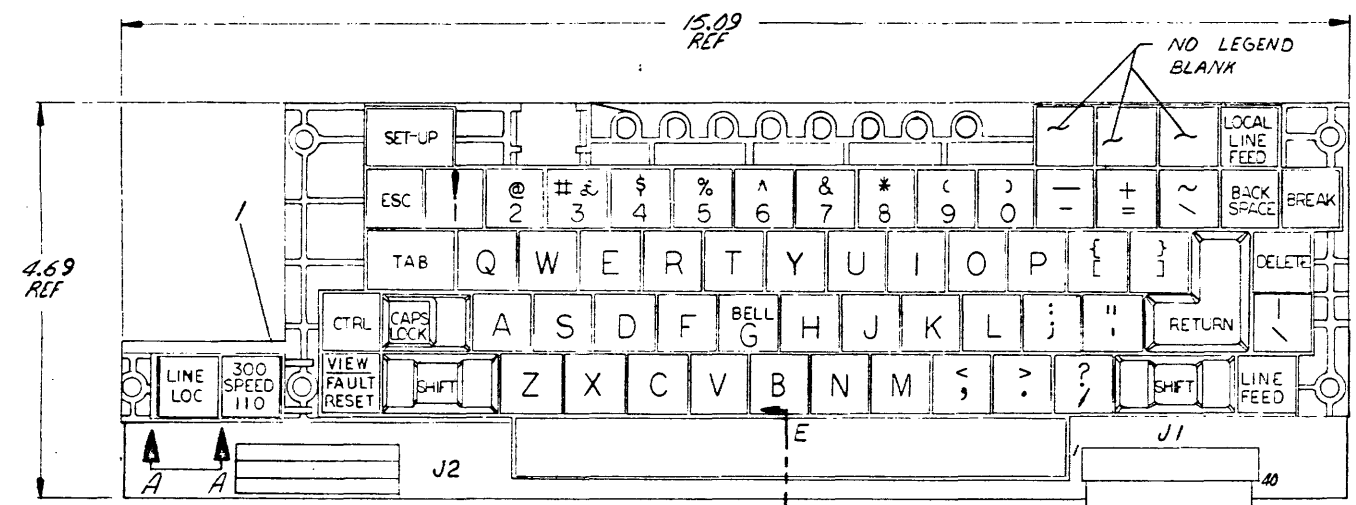
THIS DRAWING AND SPECIFICATIONS, WHEN AS THE PROPERTY OF APTAL, INC., IS CONFIDENTIAL AND SHALL NOT BE REPRODUCED OR USED IN ANY MANNER OR BY ANY PARTY WITHOUT THE WRITTEN PERMISSION OF APTAL, INC. CONTRACT # 7873, DIGITAL EQUIPMENT CORPORATION



LEGEND

VARIATION	SHEET NO.
7015514-00 AND 01	SHEET NO. 1
7015514-02	SHEET NO. 2
7015514-03 AND 04	SHEET NO. 3

- NOTES:
- FOR 7015514-02 VARIATION CONFIGURATION SEE SHEET 2.
 - DRAWING AS SHOWN REPRESENTS A KEYBOARD KEYCAP ASSY. 7015514-00 AND 7015514-01 WHICH CONTAIN THE BASIC LET MAIN ARRAY 1214333-95 CHARCOAL OR SPECIAL LET 214333-48 GREY.
 - FOR INDIVIDUAL FIELD SERVICE / CUSTOMER SPARES SHIPMENTS USE PACKAGING INSTRUCTION A-SP-3700456-0-0 VARIATION -10, FOR BULK INTERPLANT SHIPMENTS USE PACKAGING INSTRUCTION A-SP-3700439-0-0 VARIATION -00.



SEE K-PL-7015514-0-DBP

QTY	DESCRIPTION	DWG. PART NO.	ITEM NO.
1	CAP. KEY SET KANA KATA	A-PS-1214333-E-Z	11
1	SPACE BAR ASSY (GREY)	D-AD-7015050-0-1	10
1	CAPS KEY SET (GREY)	1214333-48	9
REF	TEST SPECS	A-SP-7015514-0-2	8
REF	ENGINEERING SPECS	A-SP-7015514-0-1	7
1	KEYBOARD CABLE ASSY	C-IA-7015741-00-0	6
2	CLIP, EQUALIZER	C-MD-7420120-00-0	5
0.8	ADAPTER, KEY CAP	1214332-00	4
1	CAP. KEY SET (CHARCOAL)	1214333-25	3
1	SPACE BAR ASSY (CHAR)	D-AD-7015050-0-0	2
1	KEYBOARD MODULE ASSY	D-VA-5413223-0-0	1

UNLESS OTHERWISE SPECIFIED DIMENSIONS ARE IN INCHES

ANGLES ±0.3°	CLASS OF ACCURACY (CHECK ONE)	NOMINAL DIMENSION RANGE INCHES				
		OVER 0 TO 0.25	OVER 0.25 TO 0.5	OVER 0.5 TO 1.0	OVER 1.0 TO 2.0	OVER 2.0 TO 40.0
SURFACE QUALITY IN	MEDIUM	±0.004	±0.008	±0.012	±0.016	±0.024
	PREFERRED	±0.012	±0.016	±0.025	±0.04	±0.1

QUANTITY & VARIATION

THIRD ANGLE PROJECTION

REMOVE BURRS AND BREAK SHARP CORNERS

DO NOT SCALE DWG

MATERIAL SEE PARTS LIST

FINISH

DRN. *[Signature]*

CHK'D. *[Signature]*

ENG. *[Signature]*

PROJ. ENG. *[Signature]*

NEXT HIGHER ASSY.

FIRST USED ON

LH34 digital

TITLE

KEYBOARD / KEYCAP ASSY.

SIZE CODE

D AD 7015514-0-0

NUMBER

7015514-0-0

REV.

SHEET

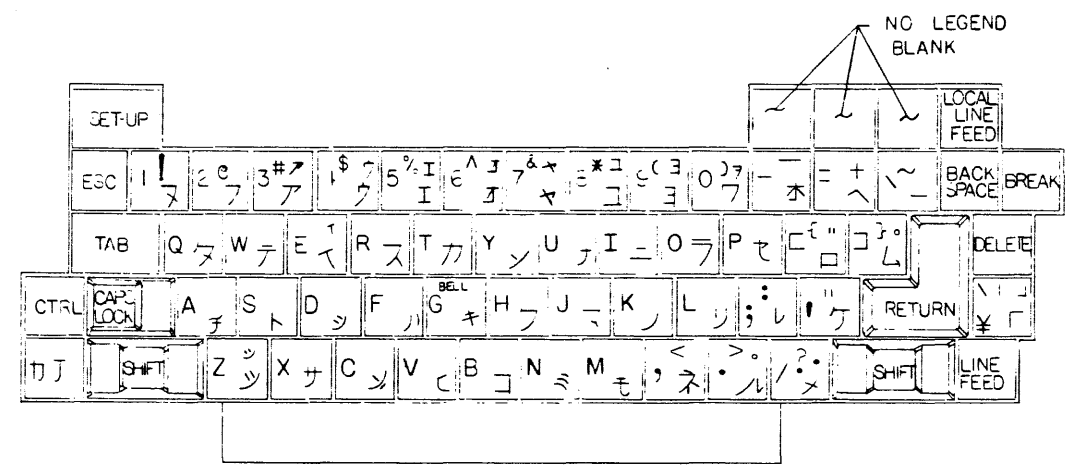
1 OF 3

DIST.

REVISIONS

REV.	CHANGE NO.	BY	DATE
1	LA34-PN023	A	12/1/78
2	LA34-PN033	B	1/1/79
3	LA34-PN059	C	1/1/79
4	LA34-PN001	D	1/1/79
5	LA34-PN002	E	1/1/79
6	LA34-PN004	H	1/1/79
7	LA34-PN004	H	1/1/79
8	LA34-PN004	H	1/1/79

THIS DRAWING AND SPECIFICATIONS HEREIN ARE THE PROPERTY OF DIGITAL EQUIPMENT CORPORATION AND SHALL NOT BE REPRODUCED OR COPIED OR USED IN WHOLE OR IN PART AS THE BASIS FOR THE MANUFACTURE OR SALE OF ITEMS WITHOUT WRITTEN PERMISSION. COPYRIGHT © 1974 DIGITAL EQUIPMENT CORPORATION



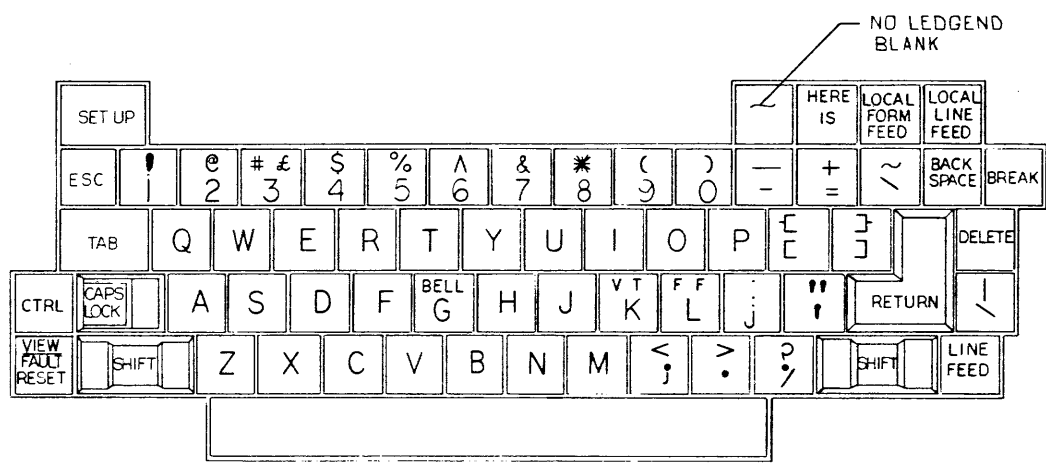
VARIATION 02

REVISIONS		
CHK	CHANGE NO.	REV.

TITLE	SIZE CODE	NUMBER	REV.
KEYBOARD/KEYCAP ASSY.	D AD	70154-0-0	H
SCALE NONE	SHEET 2 OF 3	DIST.	PN

"THIS DRAWING AND SPECIFICATIONS HEREIN ARE THE PROPERTY OF DIGITAL EQUIPMENT CORPORATION AND SHALL NOT BE REPRODUCED OR COPIED OR USED IN WHOLE OR IN PART AS THE BASIS FOR THE MANUFACTURE OR SALE OF ITEMS WITHOUT WRITTEN PERMISSION. COPYRIGHT © 1982 DIGITAL EQUIPMENT CORPORATION"

NOTES:
 1 DRAWING AS SHOWN REPRESENTS A KEYBOARD KEYCAP ASSY. 7015514-03 AND 7015514-04 WHICH CONTAIN THE BASIC SET MAIN ARRAY 1219333-JS CHARCOAL OR SPECIAL SET 1219333-JT GRAY.



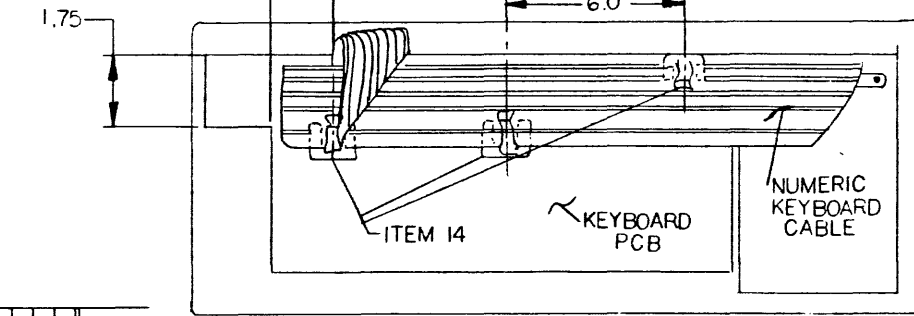
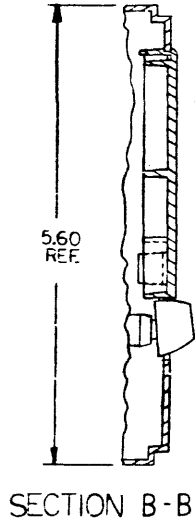
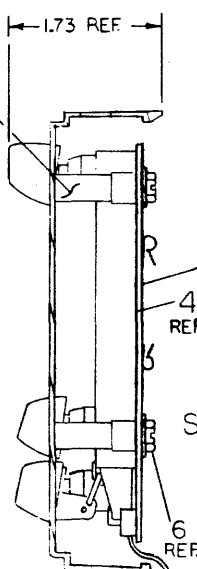
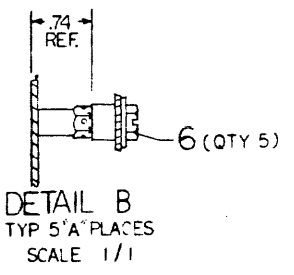
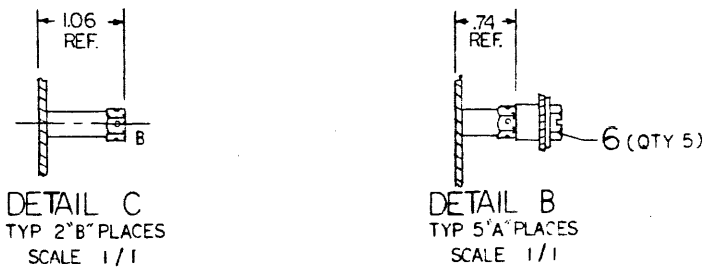
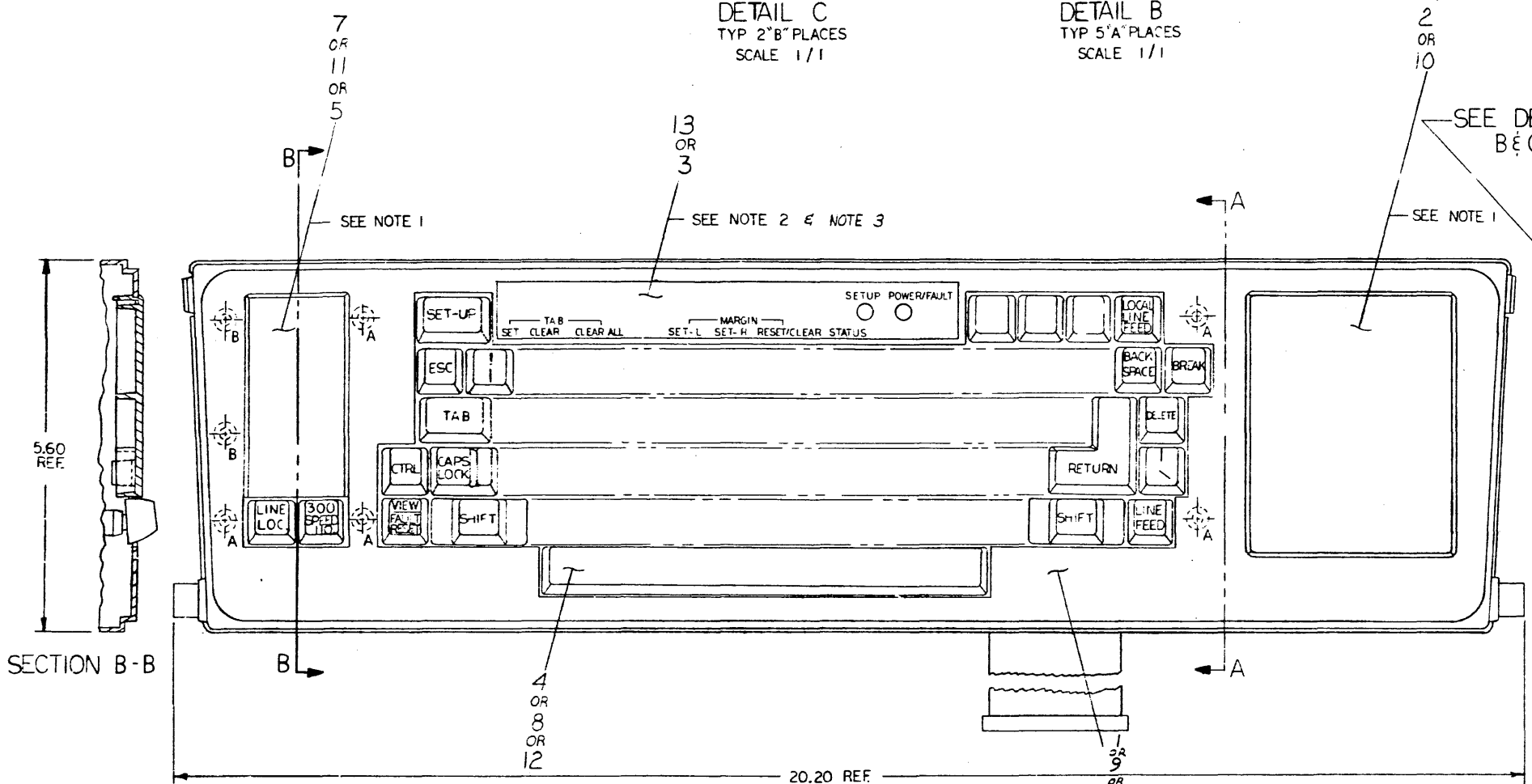
VARIATION -03 AND 04

REVISIONS		
CHK	CHANGE NO.	REV.

TITLE	SIZE CODE	NUMBER	REV.
KEYBOARD/KEYCAP ASSY.	D AD	7015514-0-0	H
SCALE NONE	SHEET 3 OF 3	DIST.	

THIS DRAWING AND SPECIFICATIONS HERETO ARE THE PROPERTY OF DIGITAL EQUIPMENT CORPORATION AND SHALL NOT BE REPRODUCED OR COPIED OR USED IN WHOLE OR IN PART AS THE BASIS FOR THE DESIGN OR CONSTRUCTION OF ANY ITEM WITHOUT WRITTEN PERMISSION OF DIGITAL EQUIPMENT CORPORATION © 1978

- NOTES**
- ITEM 2, 5, 10, 11, 15, 21 AND 7 ARE SNAPPED INTO PLACE.
 - FASTEN ITEM 3, 13 OR 16 TO ITEM 1, 9, OR 20 SUCH THAT NO BUBBLES, WAVINESS, RAISED EDGES OR OTHER INDICATIONS OF POOR ADHESION ARE EVIDENT.
 - KEYBOARD PICTURE SHOWN HERE IS -00, -01, -03 AND -06 VARIATION (-02 VARIATION IS KATA KANA).
 - FOR BULK INTERPLANT SHIPMENTS USE PACKAGING INSTRUCTIONS A-SP-3700430-0-0 VAR-00.



SEE K-PL-7015730-0-DBP

ITEM NO.	DESCRIPTION	DWG. PART NO.	ITEM NO.
1	NUMERIC KEY PAD	7016653-0-0	15
3	CLAMP, CABLE	9010016-00	14
4	LEGEND STRIP	3616927-00	13
5	KEYBOARD KEYCAP ASSY.	D-AD-7015514-02	12
6	PLUG, KEY SWITCH (GREY)	1215295-01	11
7	CLOSURE, OPTION (GREY)	1215053-01	10
8	BEZEL, KEYBOARD (GREY)	1215297-01	9
9	KEYBOARD ASSY. (GREY)	3-AD-7015514-01	8
10	INSPECTION PROCEDURE	A-II-7015730-0-1	7
11	SCR, SLOTTED HEX WASH HD 632, 5/16	9010097	6
12	PLUG, KEY SWITCH	1215295-00	5
13	KEYBOARD ASSY.	D-AD-7015514-0-0	4
14	LEGEND STRIP	3615450-00	3
15	CLOSURE, OPTION	1215053-00	2
16	BEZEL, KEYBOARD	1215297-00	1

REV.	CHANGE NO.	BY	DATE
1	LA34-PN004 A	HARVEY	27 Jun 78
2	LA34-PN026 B	J. DESUK	27 Jun 78
3	LA34-PN032 C	P. E. NELSON	27 Jun 78
4	LA34-PN036 D	J. BITTO	27 Jun 78
5	LA34-PN065 E	J. BITTO	27 Jun 78
6	7015730-PN001 F	J. BITTO	27 Jun 78
7	7015730-PN002 G	J. BITTO	27 Jun 78
8	7015730-PN003 H	J. BITTO	27 Jun 78
9	7015730-PN004 I	J. BITTO	27 Jun 78
10	7015730-PN005 J	J. BITTO	27 Jun 78
11	7015730-PN006 K	J. BITTO	27 Jun 78
12	7015730-PN007 L	J. BITTO	27 Jun 78
13	7015730-PN008 M	J. BITTO	27 Jun 78
14	7015730-PN009 N	J. BITTO	27 Jun 78
15	7015730-PN010 O	J. BITTO	27 Jun 78
16	7015730-PN011 P	J. BITTO	27 Jun 78
17	7015730-PN012 Q	J. BITTO	27 Jun 78
18	7015730-PN013 R	J. BITTO	27 Jun 78
19	7015730-PN014 S	J. BITTO	27 Jun 78
20	7015730-PN015 T	J. BITTO	27 Jun 78
21	7015730-PN016 U	J. BITTO	27 Jun 78
22	7015730-PN017 V	J. BITTO	27 Jun 78
23	7015730-PN018 W	J. BITTO	27 Jun 78
24	7015730-PN019 X	J. BITTO	27 Jun 78
25	7015730-PN020 Y	J. BITTO	27 Jun 78
26	7015730-PN021 Z	J. BITTO	27 Jun 78

UNLESS OTHERWISE SPECIFIED DIMENSIONS ARE IN INCHES

ANGLES	CLASS OF ACCURACY	NORMAL DIMENSION RANGES			
		OVER 0 TO 1.0	1.0 TO 3.0	3.0 TO 30.0	OVER 30.0 TO 80.0
30°	PRECISION	±0.004	±0.005	±0.008	±0.010
45°	CHECK (F)	±0.004	±0.005	±0.008	±0.010
90°	MEDIUM	±0.004	±0.005	±0.008	±0.010
120°	PREFERRED	±0.004	±0.005	±0.008	±0.010

THIRD ANGLE PROJECTION

REMOVE BURRS AND BREAK SHARP CORNERS

DO NOT SCALE DWG

MATERIAL SEE PARTS LIST

FINISH

DRN: *[Signature]* 1/27/78
CHK'D: *[Signature]* 2/6/78
ENG: *[Signature]* 9/21/78
PROJ. ENG: *[Signature]* 10/1/78
PROD.: *[Signature]* 10/1/78

FIRST USED ON: LA34

TITLE: KEYBOARD BEZEL ASSY.

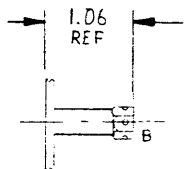
D-AD-7015730-0-0

SCALE: NONE

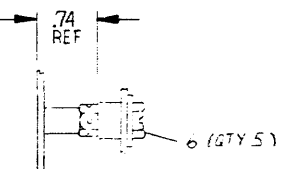
SHEET 1 OF 2

DIST.

THIS DRAWING AND SPECIFICATIONS, HEREIN, ARE THE PROPERTY OF DIGITAL EQUIPMENT CORPORATION AND SHALL NOT BE REPRODUCED OR COPIED OR USED IN WHOLE OR IN PART AS THE BASIS FOR THE MANUFACTURE OR SALE OF ITEMS WITHOUT WRITTEN PERMISSION.
 COPYRIGHT © 1980, DIGITAL EQUIPMENT CORPORATION

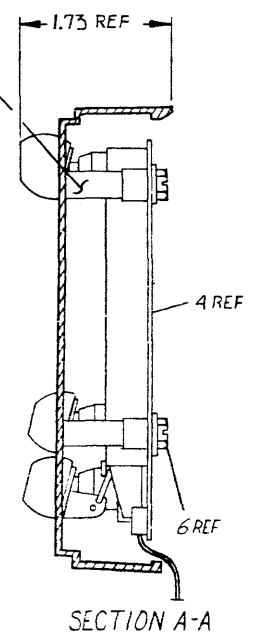
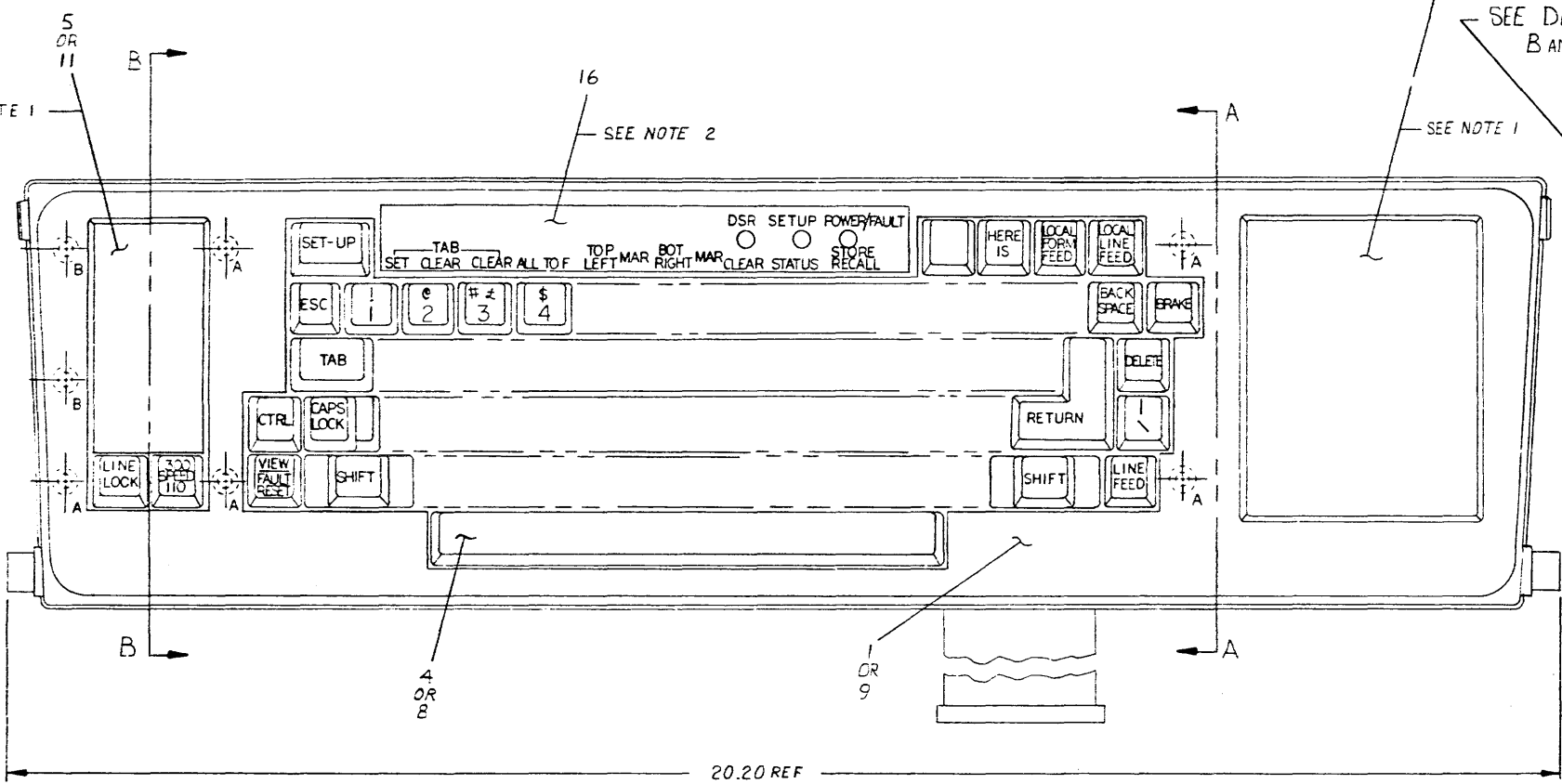


DETAIL C
TYP 2 'B' PLACES
SCALE 1/1



DETAIL B
TYP 5 'A' PLACES
SCALE 1/1

2 OR 10 OR 15



SECTION A-A

SECTION B-B

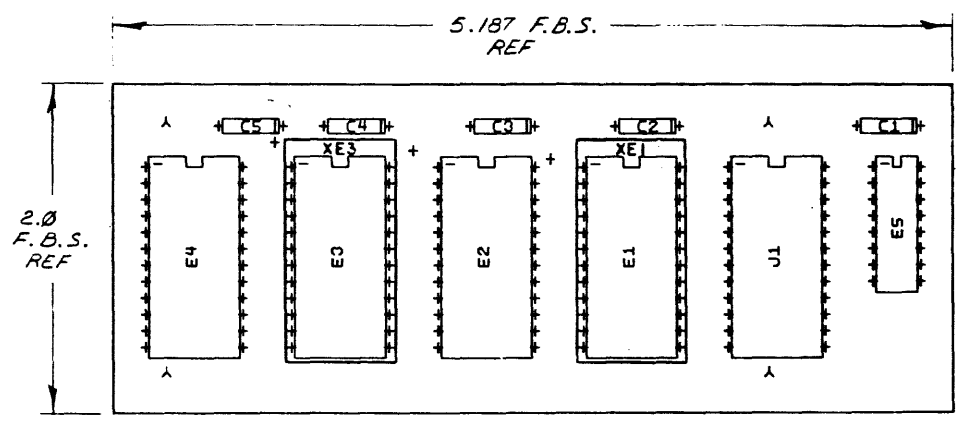
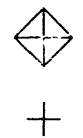
DRAWING AS SHOWN REPRESENTS
7015 730 -04, 05 AND 07 VARIATIONS

REV	CHANGE NO.

THIRD ANGLE PROJECTION	DESCRIPTION	DWG. PART NO.	ITEM NO.																												
	UNLESS OTHERWISE SPECIFIED DIMENSIONS ARE IN INCHES																														
	<table border="1"> <tr> <th>CLASS</th> <th>OVER 12.0</th> <th>OVER 4.0</th> <th>OVER 1.2</th> <th>OVER 0.2</th> </tr> <tr> <td>ACCURACY</td> <td>±0.005</td> <td>±0.002</td> <td>±0.001</td> <td>±0.0005</td> </tr> <tr> <td>SURFACE QUALITY</td> <td>12.0</td> <td>40.0</td> <td>120.0</td> <td>400.0</td> </tr> </table>	CLASS	OVER 12.0	OVER 4.0	OVER 1.2	OVER 0.2	ACCURACY	±0.005	±0.002	±0.001	±0.0005	SURFACE QUALITY	12.0	40.0	120.0	400.0	<table border="1"> <tr> <th>CLASS</th> <th>OVER 12.0</th> <th>OVER 4.0</th> <th>OVER 1.2</th> <th>OVER 0.2</th> </tr> <tr> <td>ACCURACY</td> <td>±0.005</td> <td>±0.002</td> <td>±0.001</td> <td>±0.0005</td> </tr> <tr> <td>SURFACE QUALITY</td> <td>12.0</td> <td>40.0</td> <td>120.0</td> <td>400.0</td> </tr> </table>	CLASS	OVER 12.0	OVER 4.0	OVER 1.2	OVER 0.2	ACCURACY	±0.005	±0.002	±0.001	±0.0005	SURFACE QUALITY	12.0	40.0	120.0
CLASS	OVER 12.0	OVER 4.0	OVER 1.2	OVER 0.2																											
ACCURACY	±0.005	±0.002	±0.001	±0.0005																											
SURFACE QUALITY	12.0	40.0	120.0	400.0																											
CLASS	OVER 12.0	OVER 4.0	OVER 1.2	OVER 0.2																											
ACCURACY	±0.005	±0.002	±0.001	±0.0005																											
SURFACE QUALITY	12.0	40.0	120.0	400.0																											
QUANTITY & VARIATION	DRN. JOSEPH 4-5-78	FIRST USED ON LA34	Digital																												
REMOVE BURRS AND BREAK SHARP CORNERS	CHK'D HEALY 2-6-78	ENG. HARVEY 9-6-78	TITLE KEYBOARD BEZEL ASSY.																												
DO NOT SCALE DWG	PROJ. ENG. D. GILK 2-27-78	PROD. ERDEYAN 2-27-78	NUMBER 7015730-0-0																												
MATERIAL	NEXT HIGHER ASSY.	D-AD-7015724-0-C	SIZE D AD																												
FINISH	SCALE NONE	SHEET 2 OF 2	DIST.																												

COMPONENT SIDE VIEW

THIS DRAWING AND SPECIFICATIONS, HEREIN, AND THE PROPERTY OF DIGITAL EQUIPMENT CORPORATION AND SHALL NOT BE REPRODUCED OR COPIED IN WHOLE OR IN PART OR THE BASIS FOR THE CONSTRUCTION OF SUCH A DRAWING WITHOUT PERMISSION.
 COPYRIGHT © 1980 DIGITAL EQUIPMENT CORPORATION



NOTES:

CHANGE NO. REV	
2/2 5414387-0-000 A	
ORIGINATED	

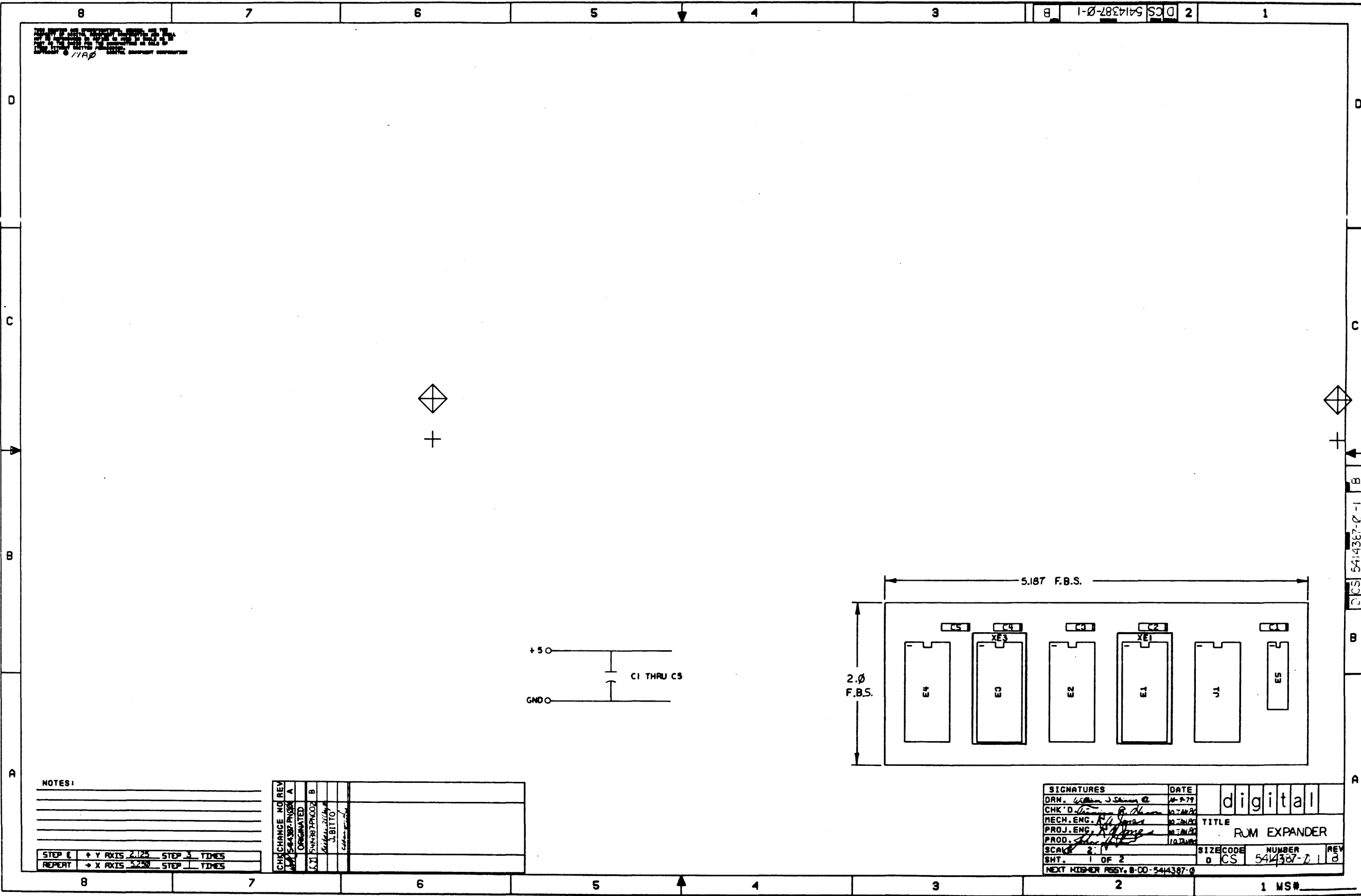
ETCH REV. A P 2

SIGNATURES		DATE	digital
DRN. <i>[Signature]</i>		2 JAN 83	
CHK'D. <i>[Signature]</i>		16 MAR 83	TITLE ROM EXPANDER
MECH. ENG. <i>[Signature]</i>		10 JAN 83	
PROJ. ENG. <i>[Signature]</i>		10 JAN 83	
PROD. <i>[Signature]</i>		10 JAN 83	
SCALE 2/1	SIZE CODE	NUMBER	REV
SHT. 1 OF 1	d	UA 5414387-0-0	A
NEXT HIGHER ASSY. 6-00-5414387-0			

LINE ITEM	DOCUMENT NUMBER	PART NUMBER	DESCRIPTION	QTY PER VARIATION 00	REFERENCE DESIGNATOR
1		1215006-06	SOCKET 24PIN IC LOW PROFILE	3	J1,XE1,XE3
2		1001610-00	.01 MFD 50V +80-20% 25U CER	5	C1,C2,C3,C4,C5
3		1912843-00	LS139 DECODER, 2 OF 4(DUAL	1	E5
4		23233E2-00	E2-04	1	E1
5		23234E2-00	E2-04	1	E3
6	D-MD-5014386-0-0		ROM EXPANDER	1	

REVISION HISTORY		BASIC PART NO: 5414387		DRN:	F.R.LLANOS	DATE:	11-OCT-79	D I G I T A L			
ENG	ECO NUMBER	REV	SECTION A OF A	CHK'D:	L.GILBERT	DATE:	11-OCT-79	TITLE PARTS LIST			
	INITIAL	A	SECTION VARIATION INDEX	DES,ENG:	R. A. JONES <td>DATE:</td> <td>11-OCT-79 <td colspan="4">ROM EXPANDER</td> </td>	DATE:	11-OCT-79 <td colspan="4">ROM EXPANDER</td>	ROM EXPANDER			
JB	5414387-PN002	B	[A] 00	RESP,ENG,:	R. A. JONES <td>DATE:</td> <td>11-OCT-79 <td colspan="4">DOCUMENT NUMBER</td> </td>	DATE:	11-OCT-79 <td colspan="4">DOCUMENT NUMBER</td>	DOCUMENT NUMBER			
			[B]	MFG,ENG,:	J.HOPKINS <td>DATE:</td> <td></td> <td>SIZE</td> <td>CODE</td> <td>NUMBER</td> <td>REV</td>	DATE:		SIZE	CODE	NUMBER	REV
			[C]	ASSEMBLY NUMBER:	D-UA-5414387-0-0 <td>TOP DOCUMENT NUMBER:</td> <td>B-DD-5414387-0-0 <td>K</td> <td>PL</td> <td>5414387-0-0</td> <td>B</td> </td>	TOP DOCUMENT NUMBER:	B-DD-5414387-0-0 <td>K</td> <td>PL</td> <td>5414387-0-0</td> <td>B</td>	K	PL	5414387-0-0	B
			[D]			FILE NAME:	14387B,PLS				EDIT #
			[E]								7
			[F]								
			[G]								
			[H]								
			[J]								
			[K]								
			[L]								
			[M]								
			[N]								

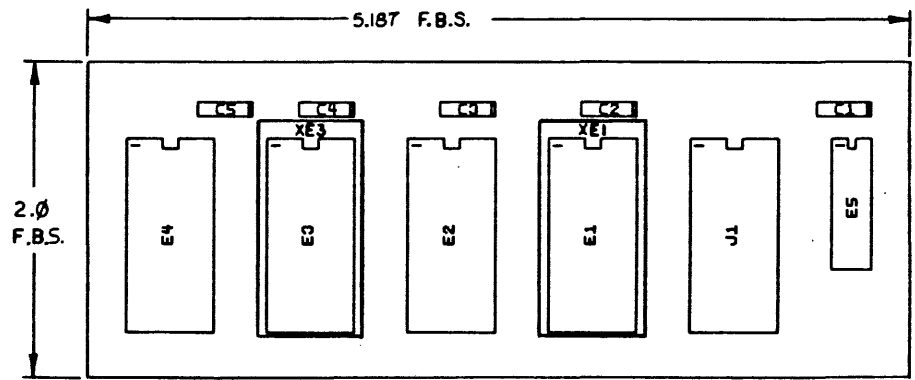
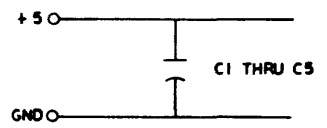
"THIS DRAWING AND SPECIFICATIONS HEREIN, ARE THE PROPERTY OF DIGITAL EQUIPMENT CORPORATION AND SHALL NOT BE REPRODUCED OR COPIED OR USED IN WHOLE OR IN PART AS THE BASIS FOR THE MANUFACTURE OR SALE OF ITEMS WITHOUT WRITTEN PERMISSION, COPYRIGHT (C) 1980, DIGITAL EQUIPMENT CORPORATION "



1/1A0

8 7 6 5 4 3 2 1
 B 1-0-1 CS 5414387-0 2

B 1-0-1 CS 5414387-0 2



NOTES:

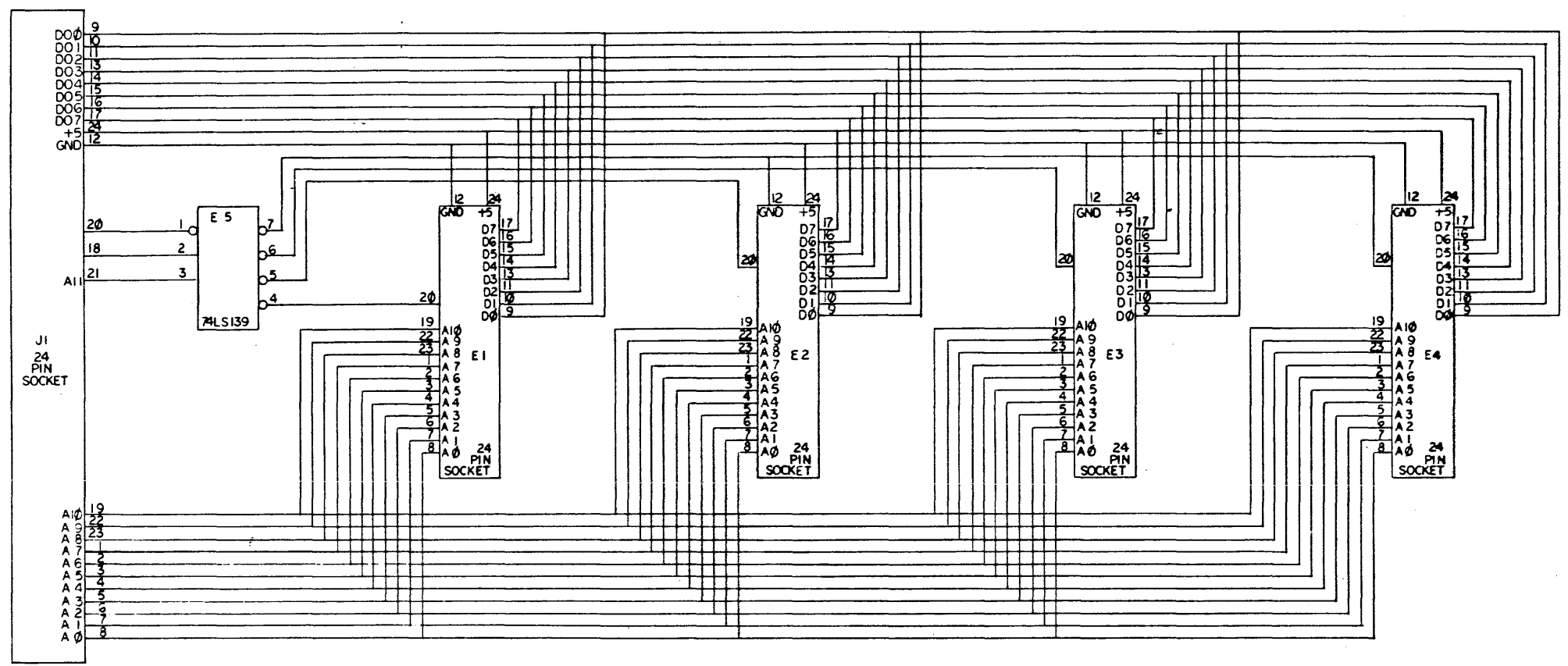
STEP 1	+ Y AXIS 2.125	STEP 3	TIMES
REPEAT	+ X AXIS 3.250	STEP 1	TIMES

CHG	NO	REV	
5414387-0	1	A	
ORIGINATED			
BY			
DATE			
BIT			

SIGNATURES		DATE	digital	
DRN.	<i>William J. ...</i>	10-2-79		
CHK'D	<i>...</i>	10-2-79		
MECH. ENG.	<i>...</i>	10-2-79	TITLE	
PROJ. ENG.	<i>...</i>	10-2-79	ROM EXPANDER	
PROD.	<i>...</i>	10-2-79		
SCALE	2:1	SIZE	CODE	NUMBER
SHT.	1 OF 2	0	CS	5414387-2 1
NEXT HIGHER ASSY. B-DO-5414387-0				

8 7 6 5 4 3 2 1 MS#

"THIS DRAWING AND SPECIFICATIONS HEREIN ARE THE PROPERTY OF DIGITAL EQUIPMENT CORPORATION AND SHALL NOT BE REPRODUCED OR COPIED OR USED IN WHOLE OR IN PART AS THE BASIS FOR THE MANUFACTURE OR SALE OF ITEMS WITHOUT WRITTEN PERMISSION. COPYRIGHT © 1980 DIGITAL EQUIPMENT CORPORATION"



REVISIONS		
CHK	CHANGE NO.	REV.

TITLE	ROM EXPANDER	SIZE CODE	D CS	NUMBER	5414387-0-1	REV.	B
SCALE	NONE	SHEET	2	OF	2	DIST.	

DCS 5414387-0-1 B

DIGITAL EQUIPMENT CORPORATION PARTS LIST

QUANTITY / VARIATION

NOTES:

1 POLY BAG MAY be replaced with shrink bag of equivalent size

MADE BY <i>L. Gilbert</i>	CHECKED <i>L. Gilbert</i>	SECTION <i>1</i>
DATE <i>14 May 80</i>	DATE <i>14 May 80</i>	
ENG <i>R. J. Blum</i>	PROD <i>R. J. Blum</i>	ISSUED SECTION <i>1</i>
DATE <i>23 MAY 80</i>	DATE <i>23 MAY 80</i>	

ITEM NO.	DRAWING NO.	PART NO.	DESCRIPTION	7017627-GA	7017627-DA	7017627-PA	7017627-JA	7017627-AA	7017627-PB							REF DESIGNATION
1		1700083-11	POWER CORD, TERM	1	1	1	1	1	1							
2		3612520-00	TAG, CAUTION	1	1	1	1	1	1							
3		3616153-01	LABEL, POWER REQUIREMENT 230 V	1	1	1	1	1	1							
4		3616157-00	LABEL CORRECT VOLTAGE SETTING	1	1	1	1	1	1							
5		9905129-33	BAG, POLYETHYLENE (SEE NOTE 1)	1	1	1	1	1	1							
6		EK-OLA34-UG	USERS MANUAL LA34	1	1	1	1	1	1							
7		3615514-00	RIBBON, CARTRIDGE LA00	1	1	1	1	1	1							
8		1700163-01	CABLE ASSY 6 COND	1	1	1	1	1	1							
9		7412103-00	PAPER PRPKG 132 COL	1	1	1	1	1	1							
10		ED17035-58	OPTION INSTALLATION	1	1	1	1	1	1							
11		3616799-01	LABEL, POWER RATING OEM	1	1	1	1	1	1							
12		3617326-00	LABEL, PACKAGING	1	1	1	1	1	1							

E.C.O. NO. ORIG PNO72

"THIS DRAWING AND SPECIFICATIONS, HEREIN, ARE THE PROPERTY OF DIGITAL EQUIPMENT CORPORATION AND SHALL NOT BE REPRODUCED OR COPIED OR USED IN WHOLE OR IN PART AS THE BASIS FOR THE MANUFACTURE OR SALE OF ITEMS WITHOUT WRITTEN PERMISSION. COPYRIGHT © DIGITAL EQUIPMENT CORPORATION"	TITLE USER'S KIT ASSEMBLY LA34/38	ASSY NO. B-PL-LA34-0-0	SIZE B	CODE PL	NUMBER 7017627-0-0	REV. A
	SHEET 1 OF 1			INSERTION PARTS LIST DATA BASE REV		