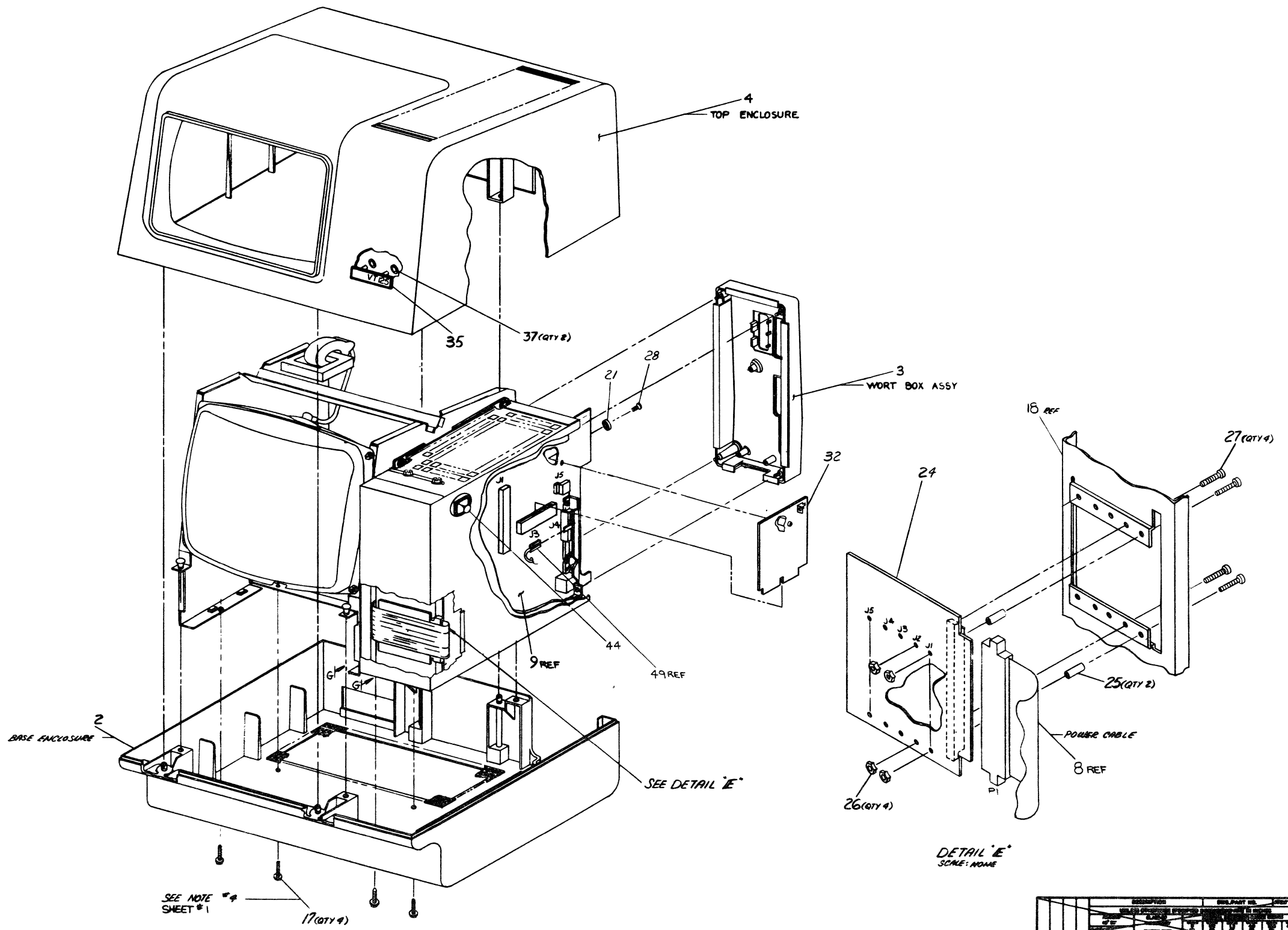


QUANTITY & VARIATION		DESCRIPTION		DRAWING NO.		ITEM NO.	
1	1	UNIT ASSY, VT125	VT125	20-0000			
UNIT ASSY, VT125 SEE PARTS LIST SCALE 1/2 UNIT ASSY, VT125-0-0 1 ML3							



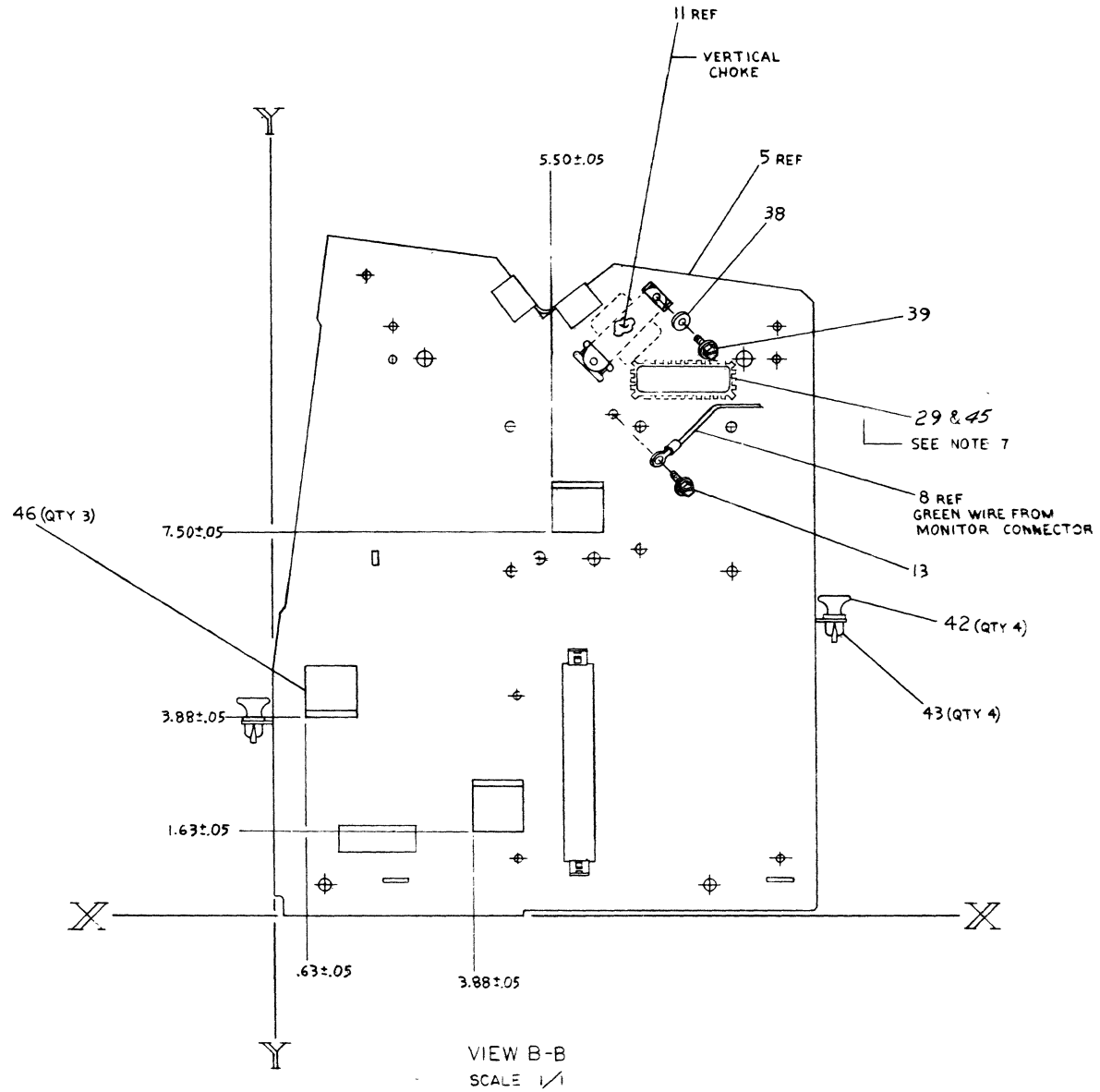
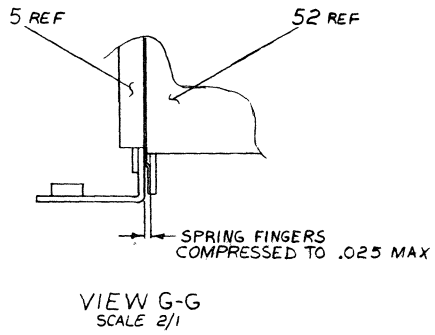
DETAIL 'E'  
SCALE: NONE

SEE NOTE #4  
SHEET #1

PARTS LIST		DESCRIPTION		QUANTITY		UNIT	
2	BASE ENCLOSURE	1					
3	WORT BOX ASSY	1					
4	TOP ENCLOSURE	1					
8	POWER CABLE	1					
9	REF	1					
17	REF	4					
24	REF	1					
25	REF	2					
26	REF	4					
27	REF	4					
32	REF	1					
35	REF	1					
37	REF	2					
44	REF	1					
49	REF	1					

UNIT ASSY, VT125  
VT125-0-0  
1 ML3

THE DIMENSIONS AND SPECIFICATIONS HEREIN ARE THE PROPERTY OF DIGITAL EQUIPMENT CORPORATION AND SHALL NOT BE REPRODUCED OR COPIED IN WHOLE OR IN PART AS THE BASIS FOR THE MANUFACTURE OF ANY OF THESE WITHOUT WRITTEN PERMISSION. COPYRIGHT © 1967 DIGITAL EQUIPMENT CORPORATION



REVISION HISTORY

DATE	REV	DESCRIPTION

TITLE  
UNIT ASSY VT125

REV	DATE	BY	CHKD	APP'D	DESCRIPTION
E	UA	VT125-0-0	D		

SCALE 1/2 SHEET 4 OF 4

UNIT ASSY VT125-0-0

ML3

LINE ITEM	DOCUMENT NUMBER	PART NUMBER	DESCRIPTION	QUANTITY PER VARIATION						BA	BB	CA	CB	DA	DB
				AA	AB	CF	CH	CJ	CK						
1	D-UA-7014653-0-0	7014653-C0	KEYBOARD ASSY	1	1	1	1	1	1	-	-	-	-	-	-
2	E-IA-7014980-0-0	7014980-04	BASE, ENCLOSURE ASSY	1	1	1	1	1	1	-	-	-	-	-	-
3	D-IA-7017552-0-0	7017552-02	BOX, WORT ASSY. VT125	1	1	1	1	1	1	-	-	-	-	-	-
4	D-IA-7014974-0-0	7014974-01	ENCLOSURE, CRT TOP ASSY	1	1	1	1	1	1	-	-	-	-	-	-
5	E-IA-7017434-0-0	7017434-00	CHASSIS WELDMENT	1	1	1	1	1	1	-	-	-	-	-	-
6	E-IA-7423954-0-0	7423954-00	CARD CAGE	1	1	1	1	1	1	-	-	-	-	-	-
7	D-AD-7014979-0-0	7014979-00	POWER SUPPLY ASSY	1	1	1	1	1	1	-	-	-	-	-	-
8	D-IA-7014978-0-0	7014978-01	POWER CABLE ASSY. VT100	1	1	1	1	1	1	-	-	-	-	-	-
9	D-UA-5413009-0-0	5413009-03	VT100 BASIC VIDEO	1	1	1	1	1	1	-	-	-	-	-	-
10		1212405-00	CARD GUIDE, NYLON	4	4	4	4	4	4	-	-	-	-	-	-
11	D-AD-7018349-0-0	7018349-01	MONITOR ASSY, CRT, DIRECT DRIVE	1	1	1	1	1	1	-	-	-	-	-	-
12		9010234-00	CLIP, CONN MTG. ZINCP	2	2	2	2	2	2	-	-	-	-	-	-
13		9000049-08	SCREW, SEMS HEX SLOT 6-	12	12	12	12	12	12	-	-	-	-	-	-
14		3615680-00	LABEL, ADHESIVE BACK, SWITCH POSIT	1	1	1	1	1	1	-	-	-	-	-	-
15		1700083-09	PWR CORD, TERM. 75IN, 18-3, 125V 10	1	-	1	1	-	-	-	-	-	-	-	-
16		1700083-10	PWR CORD, TERM. 75IN, 18-3, 250V 6	-	1	-	-	1	1	-	-	-	-	-	-
17		9010135-00	SCREW, TAP HEXWM SLOT THD RL 8-	4	4	4	4	4	4	-	-	-	-	-	-
18	D-MD-7419469-0-0	7419469-00	STOP P.C. CARD	1	1	1	1	1	1	-	-	-	-	-	-
19		3617544-00	LABEL, X-RAY RADIATION	1	1	1	1	1	1	-	-	-	-	-	-
20		3617905-01	LAB., WARNING 120V 60HZ	1	-	1	1	-	-	-	-	-	-	-	-
21		9006706-00	WASHER, FLAT NYLON	1	1	1	1	1	1	-	-	-	-	-	-
22	A-SP-3700324-0-0	3700324-01	PKG DISPLAY VT100	REF	REF	REF	REF	REF	REF	-	-	-	-	-	-
23		3617674-01	LABEL, SERIAL & POWER W/UL & CSA	1	1	1	1	1	1	-	-	-	-	-	-
24	D-UA-5413384-0-0	5413384-01	VT100 EXPANSION BACKPLANE	1	1	1	1	1	1	-	-	-	-	-	-
25		9006970-00	SPACER, CLEAR HOLE RND PHEN 4	2	2	2	2	2	2	-	-	-	-	-	-
26		9006557-00	NUT, KEP 4-40X 1/4 AF	4	4	4	4	4	4	-	-	-	-	-	-
27		9006013-01	SCREW, MACH PAN PHIL 4-	4	4	4	4	4	4	-	-	-	-	-	-
28		9008301-01	SCREW, MACH PAN PHIL 4-	1	1	1	1	1	1	-	-	-	-	-	-
29		9007035-00	GROMMET, CATERPILLAR POLYAMIDE	1	1	1	1	1	1	-	-	-	-	-	-
30	D-IA-7016165-0-0	7016165-0K	CABLE, 24 COND DIP SOCKET	1	1	1	1	1	1	-	-	-	-	-	-

REVISION HISTORY		BASIC PART NO:	VT125	DRN:	R. ROBICHAUD	DATE:	29-SEP-81	DIGITAL			
ENG!	ECO NUMBER	REV	SECTION A OF A	CHK'D:	D. HEALY	DATE:	28-SEP-81	TITLE PARTS LIST			
	INITIAL	A	SECTION. VARIATION INDEX					VT125 UNIT ASSY			
AJ	VT125-ML001	B	[A] AA, AB, CF, CH, CJ, CK,								
AJ	VT125-ML002	C	BA, BB, CA, CB, DA, DB								
AJ	VT125-ML003	D	[B]	DES. ENG.:	R. LEITERMANN	DATE:	28-SEP-81				
			[C]	RESP. ENG.:	R. QUINN	DATE:	28-SEP-81	DOCUMENT NUMBER			
			[D]					SIZE	CODE	NUMBER	REV
			[E]	MFG. ENG.:	R. COLBY	DATE:	28-SEP-81	K	PL	VT125-0-DBP	D
			[F]	ASSEMBLY NUMBER:		TOP DOCUMENT NUMBER:		FILE NAME:		EDIT #	
				E-UA-VT125-0-0		BB-DD-VT125-0		Z1509D.PLS		4	

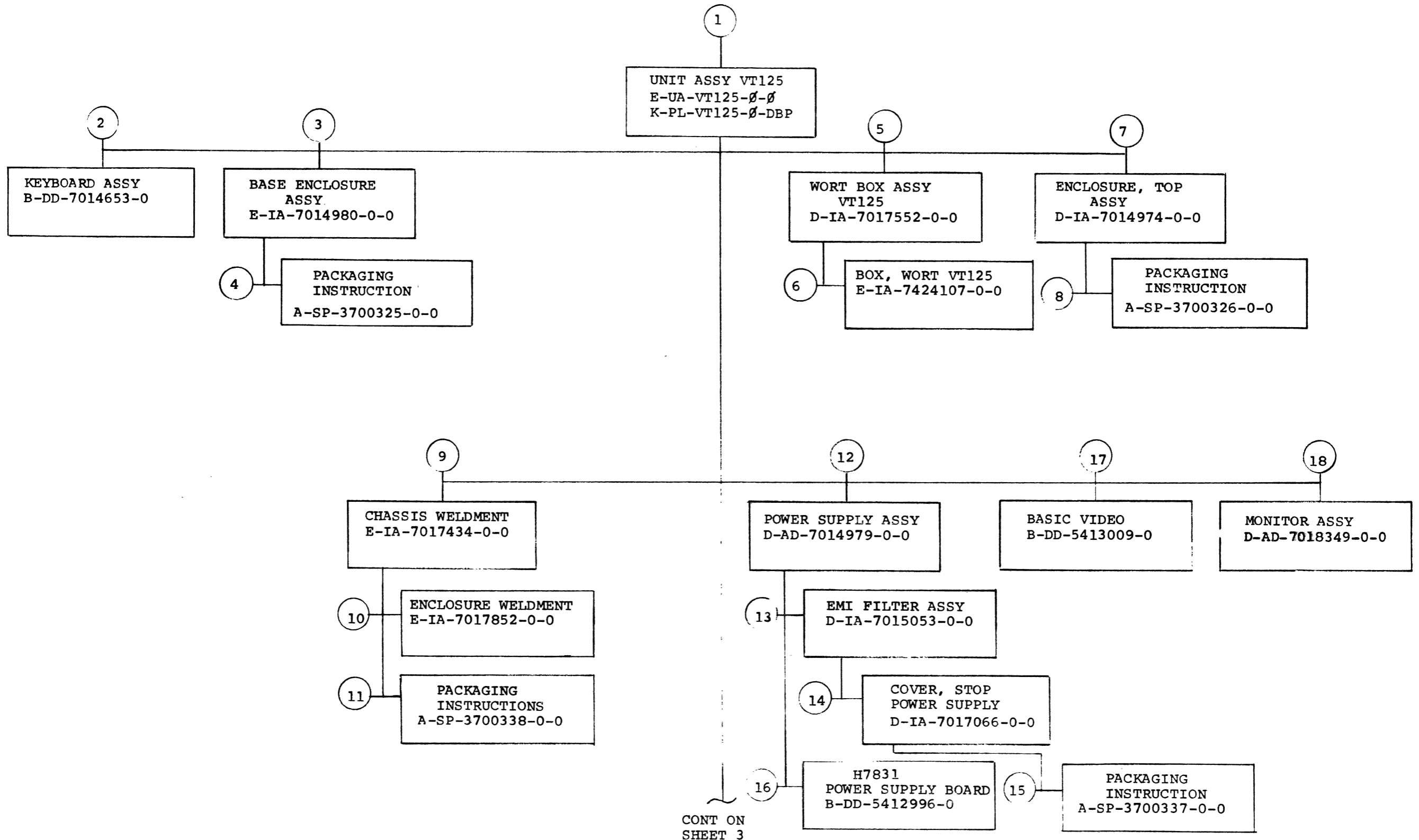
\*THIS DRAWING AND SPECIFICATIONS HEREIN, ARE THE PROPERTY OF DIGITAL EQUIPMENT CORPORATION AND SHALL NOT BE REPRODUCED OR COPIED OR USED IN WHOLE OR IN PART AS THE BASIS FOR THE MANUFACTURE OR SALE OF ITEMS WITHOUT WRITTEN PERMISSION. COPYRIGHT (C) 1982. DIGITAL EQUIPMENT CORPORATION \*

LINE ITEM	DOCUMENT NUMBER	PART NUMBER	DESCRIPTION	QUANTITY PER VARIATION												
				AA	AB	CF	CH	CJ	CK	BA	BB	CA	CB	DA	DB	
31	31	D-UA-5414277-0-0	5414277-00	VT125 MONO BD.	1	1	1	1	1	1	-	-	-	-	-	-
32	32	D-UA-5414275-0-0	5414275-00	VT125 PADDLE BOARD	1	1	1	1	1	1	-	-	-	-	-	-
33	33	B-IA-7423018-0-0	7423018-00	ISOLATION MOUNT.	2	2	2	2	2	2	-	-	-	-	-	-
34	34	B-MD-7423006-0-0	7423006-00	SCREW,HEX WASHER HD,4-40	2	2	2	2	2	2	-	-	-	-	-	-
35	35		1216404-02	LOGO,DIGITAL,MOLD FOR VT125	1	1	1	1	1	1	-	-	-	-	-	-
36	36		9008193-00	WASHER,FLAT NYLON	2	2	2	2	2	2	-	-	-	-	-	-
37	37		9009257-00	RING, RETAINING, REINFORCED, .35	2	2	2	2	2	2	-	-	-	-	-	-
38	38		9006659-00	WASHER,FLAT STEEL	1	1	1	1	1	1	-	-	-	-	-	-
39	39		9010112-00	SCREW,WASH HEX SLOT THD RL 6-	1	1	1	1	1	1	-	-	-	-	-	-
40	40		3618985-05	LABEL,MFG.DATE BLANK	1	1	1	1	1	1	-	-	-	-	-	-
41	41		9009747-01	SUPPORT,CKT.BD.SNAP-IN 1/4	4	4	4	4	4	4	-	-	-	-	-	-
42	42		9009964-00	PLUNGER, 5/16 DIA	4	4	4	4	4	4	-	-	-	-	-	-
43	43		9009966-01	GROMMET,SNAP-IN POLYCARBONAT	4	4	4	4	4	4	-	-	-	-	-	-
44	44		9009624-00	BUMPR,SQ.,ADH.BACK RUB-POLYU	1	1	1	1	1	1	-	-	-	-	-	-
45	45		9009157-00	ADH,LIQ.RM.TEMP CURING COLORLESS	A/R	A/R	A/R	A/R	A/R	A/R	-	-	-	-	-	-
46	46		9009636-00	CLAMP, CABLE, FOR FLAT CABLE	3	3	3	3	3	3	-	-	-	-	-	-
47	47		3617905-02	LABEL,WARNING 220-240V50HZ	-	1	-	-	1	1	-	-	-	-	-	-
48	48		3617880-03	LABEL,FCC CLASS A PERIPHERAL	1	1	1	1	1	1	-	-	-	-	-	-
49	49	B-IA-7017970-0-0	7017970-YA	CABLE GROUNDING 3.5	2	2	2	2	2	2	-	-	-	-	-	-
50	50	C-IA-7018396-0-0	7018396-YA	CABLE SPECIAL 16 PIN	1	1	1	1	1	1	-	-	-	-	-	-
51	51	A-SP-3700520-0-0	3700520-00	PKG. H9780-BA CAB	REF	REF	REF	REF	REF	REF	-	-	-	-	-	-
52	52	E-IA-7425604-0-0	7425604-01	SHIELD FCC	1	1	1	1	1	1	-	-	-	-	-	-
53	53		QE118-AY	REGIS/VMS780 GRAPHICS LIBRARY TU	-	-	1	-	1	-	-	-	-	-	-	-
54	54		QD118-AG	REGIS/VMS750 GRAPHICS LIBRARY TU	-	-	-	1	-	1	-	-	-	-	-	-
55	55	E-UA-VT125-0-0	VT125-AA	VT100 WITH GRAPHICS,120V (VT100-	-	-	-	-	-	-	4	-	8	-	16	-
56	56	E-UA-V.125-0-0	VT125-AB	VT100 WITH GRAPHICS,240V (VT100-	-	-	-	-	-	-	-	4	-	8	-	16

D I G I T A L										TITLE										VT125 UNIT ASSY										SECTION A OF A										SIZE										CODE										DOCUMENT NUMBER										REV									
																																								K										PL										VT125-0-DBP										D									





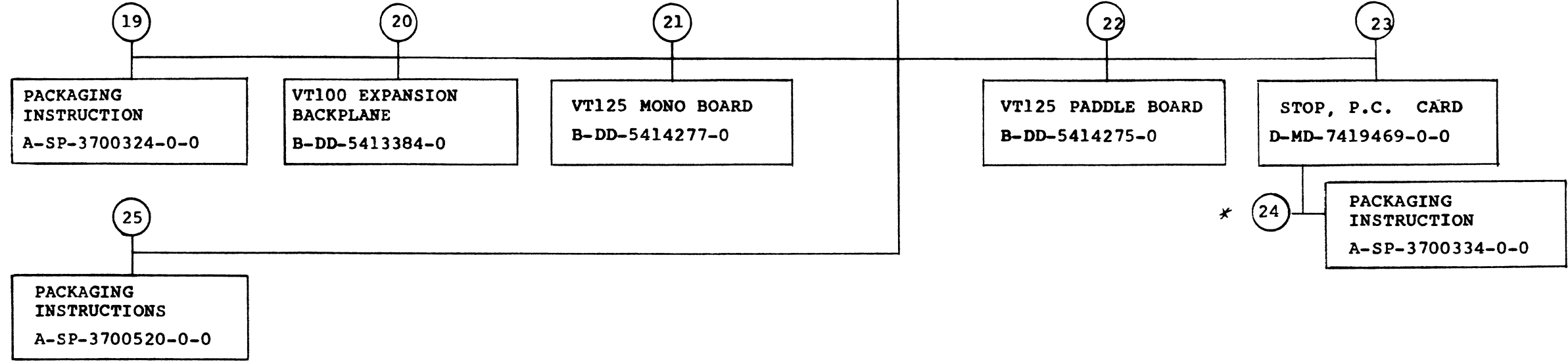


CONT ON SHEET 3

TITLE	UNIT ASSY VT125	SHEET 2 OF 5	SIZE	CODE	NUMBER	REV.
			B	DD	VT125-Ø	B

"THIS DRAWING AND SPECIFICATIONS, HEREIN, ARE THE PROPERTY OF DIGITAL EQUIPMENT CORPORATION AND SHALL NOT BE REPRODUCED OR COPIED OR USED IN WHOLE OR IN PART AS THE BASIS FOR THE MANUFACTURE OR SALE OF ITEMS WITHOUT WRITTEN PERMISSION. 1981  
COPYRIGHT © DIGITAL EQUIPMENT CORPORATION"

CONT FROM SHEET 2



\*USE A-SP-3700324-0-0  
or  
A-SP-3700520-0-0

TITLE UNIT ASSY VT125	SHEET 3 OF 5	SIZE CODE B DD	NUMBER VT125-0	REV B
--------------------------	--------------	-------------------	-------------------	----------

FIND NO.	DRAWING NO.	DESCRIPTION	TYPE	FIND NO.	DRAWING NO.	DESCRIPTION	TYPE
	MP-01053-00	UNIT ASSY VT125 (PRINT SET ORDER NO)	-				
	B-TC-VT125-0-1	UNIT ASSY VT125 (FIELD MAINT. PRINT SET)	-	6	E-IA-7424107-0-0	BOX, WORT VT125	M
1	E-UA-VT125-0-0	UNIT ASSY VT125	E/M		B-SS-7424107-0-1	ARTWORK	M
	K-PL-VT125-0-DBP	UNIT ASSY VT125 (PARTS LIST)	E/M		B-SS-7419468-0-1	ARTWORK	M
	D-IA-7014978-0-0	POWER CABLE ASSY	E/M				
	A-PS-3615680-0-0	LABEL SWITCH POSITION	M				
	A-PS-1700083-0-0	LINF CORD	E/M				
	A-PS-3617674-0-0	LABEL, SERIAL & POWER W/UL & CSA	M				
	B-PS-1212405-0-0	CARD GUIDE	M				
	A-PS-3617905-0-0	LABEL WARNING	M				
	D-IA-7016165-0-0	CABLE 24 COND DIP SOCKET	E/M				
	B-IA-7423018-0-0	ISOLATION MOUNT	M				
	B-MD-7423006-0-0	SCR, HEX WASHER HD.	M				
	A-PS-1216404-0-0	LOGO VT125	M	7	D-IA-7014974-0-0	ENCLOSURE, TOP ASSY	M
	B-PL-VT125-0	VT125-A SHIPPING LIST	-		E-MD-7418872-0-0	ENCLOSURE, CRT TOP	M
	A-PS-3617544-0-0	LABEL X-RAY RADIATION	M		E-MD-7418873-0-0	BEZEL, CRT	M
	E-IA-7423954-0-0	CARD CAGE					
	A-PS-3617880-0-0	LABEL PCC CLASS A	M				
	B-IA-7017970-0-0	CABLE GROUNDING	E/M				
	C-IA-7018396-0-0	CABLE SPECIAL	E/M	8	A-SP-3700326-0-0	PACKAGING INSTRUCTION	M
	A-PS-3618985-0-0	LABEL FOR CANADA	-				
	E-IA-7425604-0-DBU	SHIELD - FCC	E/M				
2.	B-DD-7014653-0	KEYBOARD ASSY	E/M	9	E-IA-7017434-0-0	CHASSIS WELDMENT	M
					E-MD-7423950-0-0	CHASSIS, RIGHT SIDE	M
					E-MD-7423951-0-0	CHASSIS, LEFT SIDE	M
					D-MD-7423955-0-0	HANDLE	M
3.	E-IA-7014980-0-0	BASE ENCLOSURE ASSY	M				
	E-MD-7414871-0-0	ENSLOSURE BOT. C.R.T.	M				
	C-MD-7419837-0-0	SCREEN, INSERT	M	10	E-IA-7017852-0-0	ENCLOSURE WELLMENT	M
					E-MD-7423952-0-0	ENCLOSURE TOP P/S	M
					E-MD-7423953-0-0	ENCLOSURE BOTTOM P/S	M
4.	A-SP-3700325-0-0	PACKAGING INSTRUCTIONS	M				
5.	D-IA-7017552-0-0	WORT BOX ASSY VT125	M				
	E-MD-7425603-0-DBU	INSERT WORT BOX	M				
	C-MD-7425573-0-DBU	GASKET R.G.B	M				

TYPE: E ELECTRICAL  
M MECHANICAL  
E/M ELECTRO/MECHANICAL

digital

TITLE  
UNIT ASSY VT125

SHEET 4 OF 5  
SIZE B DD  
NUMBER VT125-0

REV  
B

FIND NO.	DRAWING NO.	DESCRIPTION	TYPE	FIND NO.	DRAWING NO.	DESCRIPTION	TYPE
11	A-SP-3700338-0-0	PACKAGING INSTRUCTION	M	20	B-DD-5413384-0	EXPANSION BACKPLANE	E/M
12	D-AD-70149-0-0	POWER SUPPLY ASSY	E/M	21	B-DD-5414277-0	VT125 MONO BOARD	E/M
13	D-IA-7015053-0-0 C-MD-7420322-0-0	EMI FILTER ASSY CLIP, GROUND	E/M E/M	22	B-DD-5414275-0	VT125 PADDLE BOARD	E/M
14	D-IA-7017066-0-0 D-MD-7423007-0-0 C-MD-7419851-0-0	COVER, STOP POWER SUPPLY COVER, STOP BRACKET, SUPPORT	M M M	23	D-MD-7419469-0-0	STOP, P.C. CARD	M
15	A-SP-3700337-0-0	PACKAGING INSTRUCTION	M	24	A-SP-3700334-0-0	PACKAGING INSTRUCTIONS	M
16	B-DD-5412996-0	H7831 POWER SUPPLY ASSY	E/M	25	A-SP-3700520-0-0	PACKAGING INSTRUCTIONS	M
17	B-DD-5413009-0	BASIC VIDEO	E/M				
18	D-AD-7018349-0-0	MONITOR ASSY	E/M				
19	A-SP-3700324-0-0	PACKAGING INSTRUCTION	M				

TYPE: E ELECTRICAL  
M MECHANICAL  
E/M ELECTRO/MECHANICAL



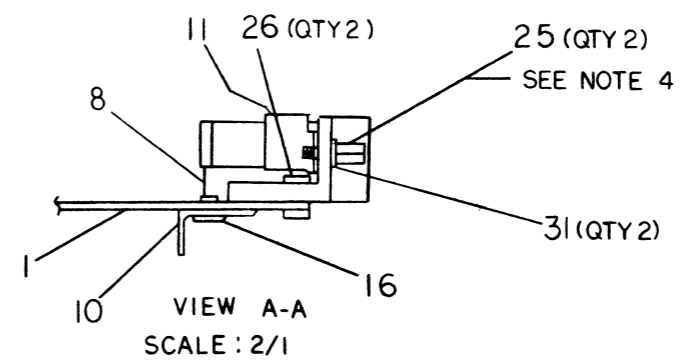
TITLE	UNIT ASSY VT125	SHEET 5 OF 5	SIZE CODE	NUMBER	REV
			B DD	VT125-0	B



THIS DRAWING AND SPECIFICATIONS, DESIGN, AND THE PROPERTY OF DIGITAL EQUIPMENT CORPORATION AND SHALL NOT BE REPRODUCED OR COPIED IN WHOLE OR IN PART OR THE BASIS FOR THE CONSTRUCTION OR SALE OF ITEMS WITHOUT WRITTEN PERMISSION.  
 1981 DIGITAL EQUIPMENT CORPORATION

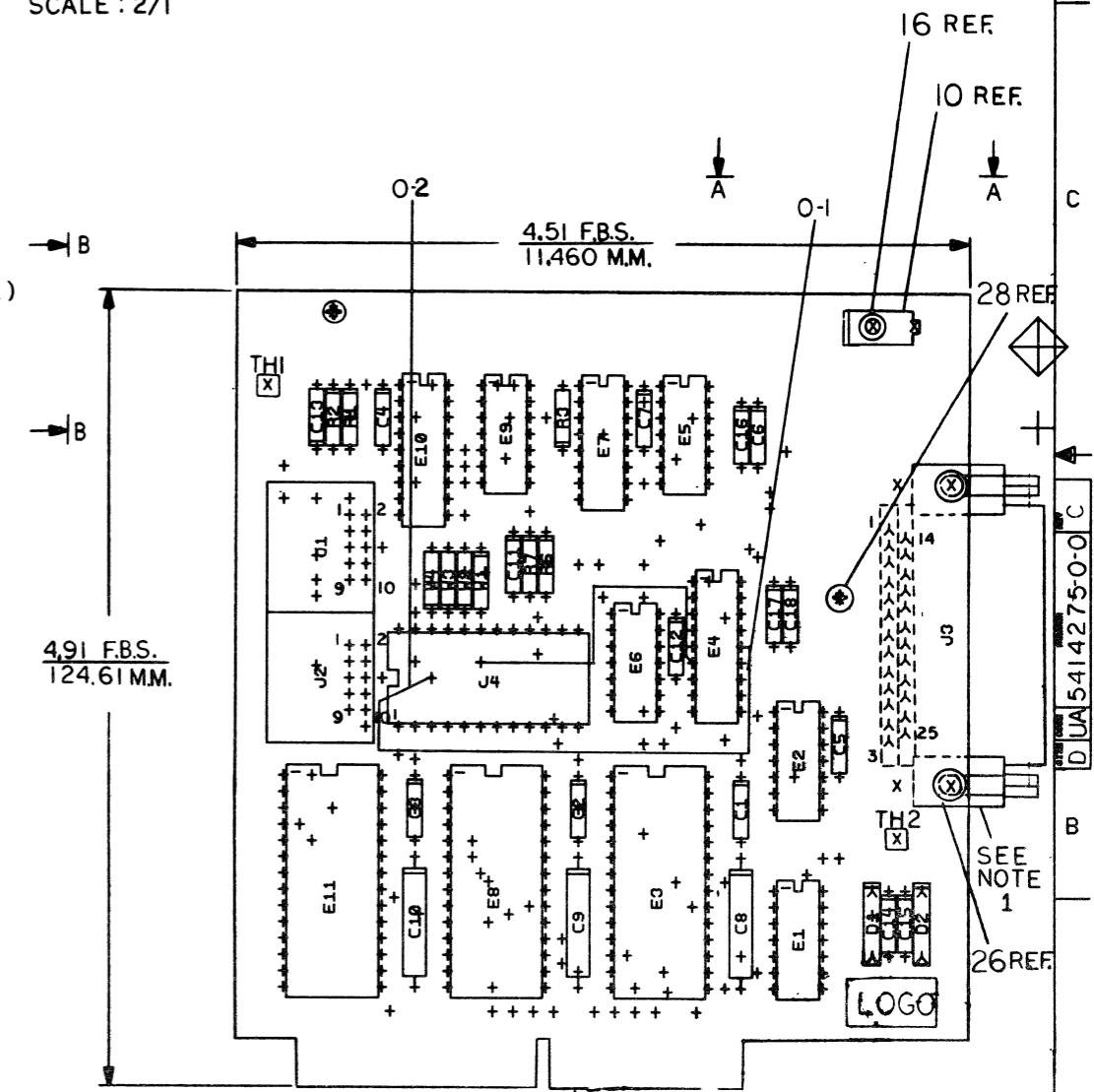
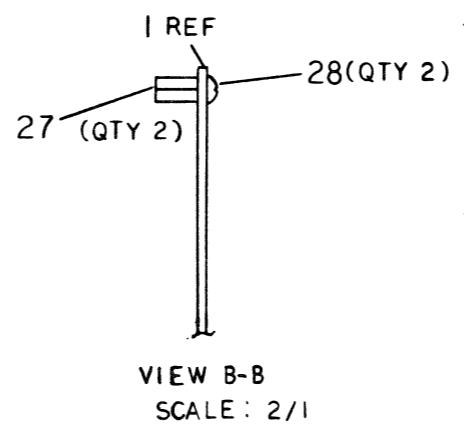
0-0-92275-0-0 C 7

COMPONENT SIDE VIEW



REWORK INSTRUCTIONS  
 WIRE ADDS SIDE 2 (ITEM #30)

- 0-1 FROM E4 PIN 14 TO FEED THRU ABOVE J4 PIN 3
- 0-2 FROM E4 PIN 6 TO FEED THRU BELOW J4 PIN 19



- NOTES: 1. J3 IS MOUNTED ON SIDE 2  
 2. W1, 2 & 4 ARE NOT INSERTED  
 3. ITEM #27 IS MOUNTED ON SIDE 2  
 4. ITEM #25 TO BE TORQUED TO 5 IN LBS +/- 1 IN LBS

STEP E	↑ Y AXIS	STEP -	TIMES 2 ML 2
REPRT	→ X AXIS	STEP -	L TIMES

CHANGE NO	REV	DATE	BY	CHK'D
544275-ML00A	B			
544275-ML00B				
544275-ML00C	C			
544275-ML00D				
544275-ML00E				

ETCH REV.	E
-----------	---

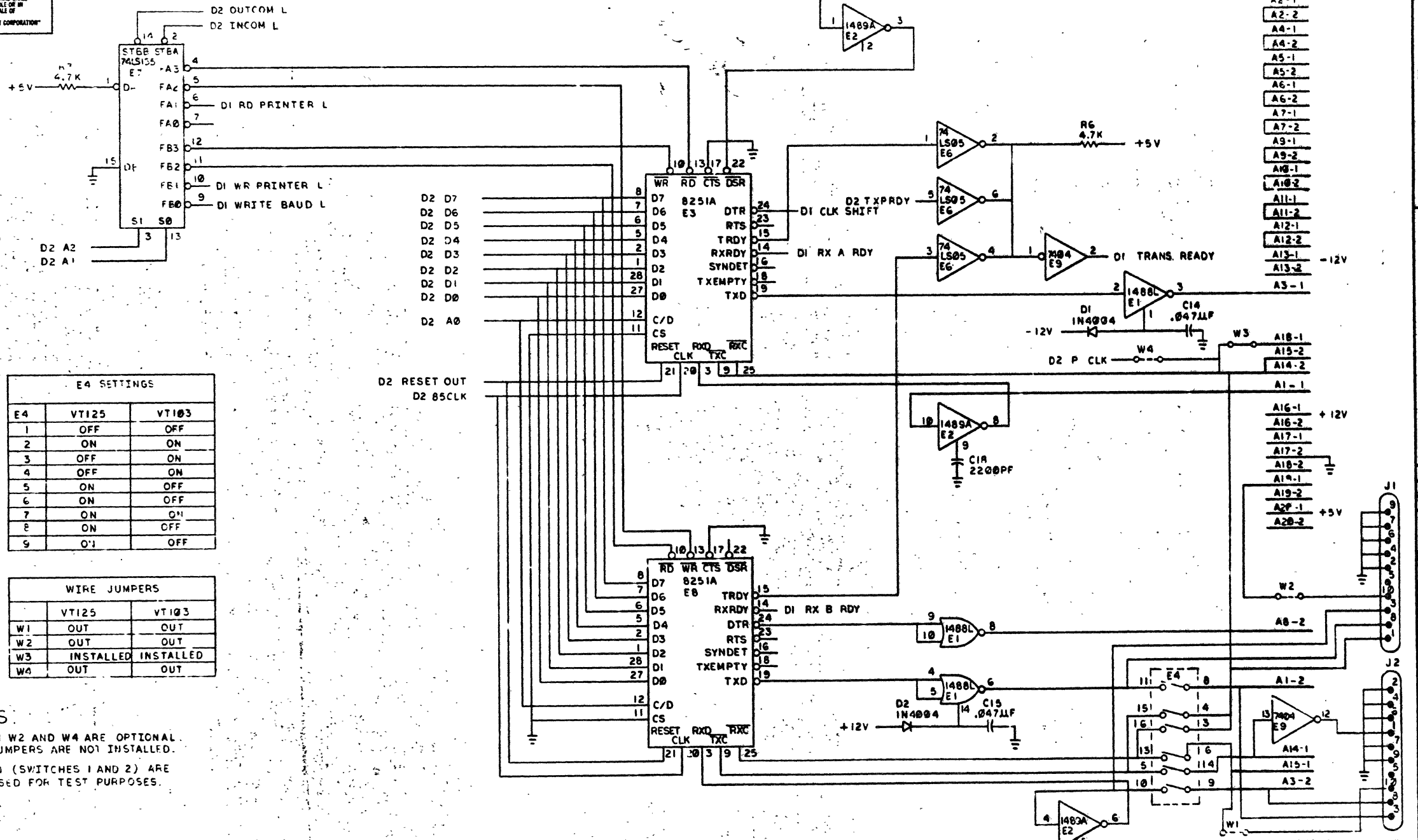
SIGNAL DRN.	DATE	digital
CHK'D.	12/5/80	
MECH. ENG.	15 DEC 80	TITLE VT125
PROJ. ENG.	17/12/80	PADDLE BOARD
PROD.		SIZE CODE NUMBER
SCALE 2/1		D UA 5414275-0-0 C
SHT. 1 OF 1		REV
NEXT HIGHER REV. B-DD-5414275-0		

switch settings for VT103 → →

D UA 5414275-0-0 C

1 WO#275013E

ALL DRAWING AND SPECIFICATIONS HEREIN ARE THE PROPERTY OF DIGITAL EQUIPMENT CORPORATION AND SHALL NOT BE REPRODUCED OR COPIED OR USED IN WHOLE OR IN PART AS THE BASIS FOR THE MANUFACTURE OR SALE OF ITEMS WITHOUT WRITTEN PERMISSION.  
 COPYRIGHT © 1981, DIGITAL EQUIPMENT CORPORATION



**E4 SETTINGS**

E4	VT125	VT103
1	OFF	OFF
2	ON	ON
3	OFF	ON
4	OFF	ON
5	ON	OFF
6	ON	OFF
7	ON	ON
8	ON	OFF
9	ON	OFF

**WIRE JUMPERS**

	VT125	VT103
W1	OUT	OUT
W2	OUT	OUT
W3	INSTALLED	INSTALLED
W4	OUT	OUT

- NOTES:**
- W1 W2 AND W4 ARE OPTIONAL. JUMPERS ARE NOT INSTALLED.
  - E4 (SWITCHES 1 AND 2) ARE USED FOR TEST PURPOSES.

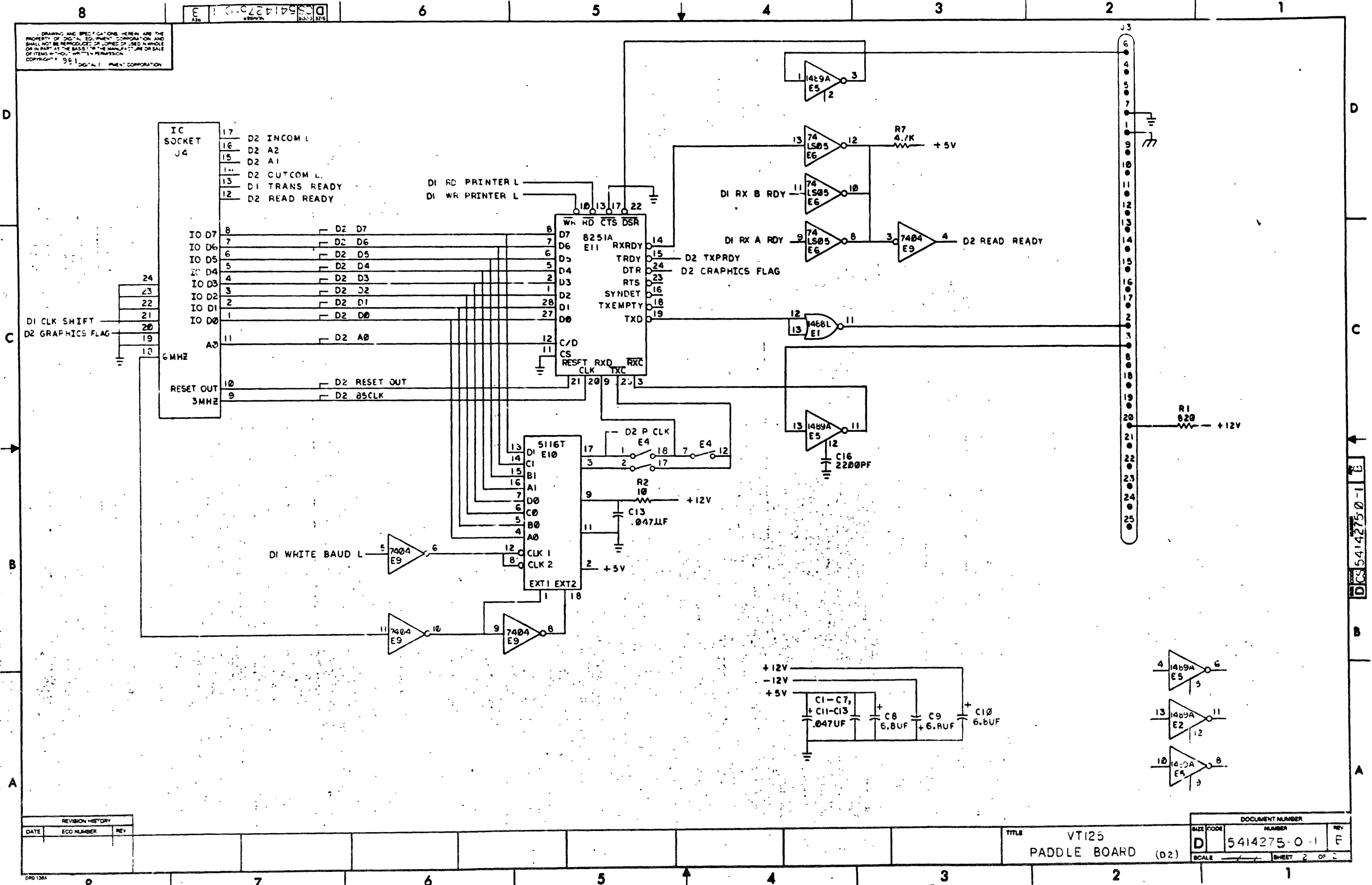
**REVISIONS**

CHK	CHANGE NO.	REV	DATE	BY
	2/75	MLOD		
		W. ERICSON		

DRN	CHK'D	FIRST USED ON	DATE
PROJ. ENG.	PROD. ENG.	TITLE	
NEXT HIGHER ASSY.		SIZE	NUMBER
B DD-5414275-3		SCALE	D C-5414275-0-1 B
SHEET 1 OF 1		REV. B	

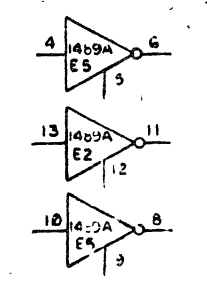
D CS 5414275-0-1 B

DRAWING AND SPECIFICATIONS HEREIN ARE THE PROPERTY OF DIGITAL EQUIPMENT CORPORATION AND SHALL NOT BE REPRODUCED OR COPIED IN WHOLE OR IN PART AS THE BASIS FOR THE MANUFACTURE OR SALE OF ITEMS WITHOUT WRITTEN PERMISSION. COPYRIGHT © 1971 DIGITAL EQUIPMENT CORPORATION



REVISION HISTORY		
DATE	ECO NUMBER	REV

TITLE		VTI25 PADDLE BOARD (D2)	
DOCUMENT NUMBER	5414275-0-1	REV	E
SCALE		SHEET	2 OF 2





LINE ITEM	DOCUMENT NUMBER	PART NUMBER	DESCRIPTION	QTY	PER VARIATION	REFERENCE DESIGNATOR
1	D-MD-5014274-0-0	5014274-00	DRILL AND ETCH BRD.	1		
1		1013466-12	2200.0 MMF 50V 10% CER	1		C16-C18
1		1005306-00	6.8MFD 35V 10% STANT	1		C8-C10
1		1012724-00	.047 MFD 50V +80-20% CER	1		C11-C15
1		1105796-00	IN 4004 PIV=400 I=1A C041 SS	1		D11, D12
1		1213506-04	PCB HEADER 09PIN(2X05) 10000 G00	1		J11, J12
1		1211164-05	SW DIP 9POS 1PST 5VDC 100MA PL	1		J13
1		1214460-00	CONN D SUB 25PIN ASSY RT ANGLE P	1		J14
1		1215006-06	SKT IC 24PIN DIP TIN PLATE	1		
1		7423599-00	LUG GROUND	1		
1		7424901-00	BRACKET GROUNDING EIA CONNECTOR	1		
1		1300447-00	4.70 K .25 W 5.0% CC	1		R3, R6, R7
1		1301317-00	10.0 .25 W 5.0% CC	1		R2
1		1301775-00	820.0 .25 W 5.0% CC	1		R1
1		9009000-00	EYELET ROLLED 0.1210DX0.156	1		
1		1909686-00	7404 INVERTER GATE-HEX 11	1		F19
1		1910322-00	DEC 1488L DRIVER LINE QUAD, EI	1		F11, F12
1		1912804-00	LS05 INVERTER GATE-HEX 11	1		F13
1		1912846-00	LS155 DECODER 2 OF 4(DUAL)	1		F14
1		1913130-00	DEC 1489A RECEIVER LINE QUAD.	1		F15, F16
1		2112623-03	DUAL BAUD RATE GEN/FREQ DIVIDER	1		F17, F18
1		2113107-01	P 8251A PUSART COMM. INTERFA	1		F10
1		9008451-01	SCREW LOCK STANDOFF ONLY	1		
1		9006746-00	EYELET ROLLED 0.1210DX0.281	1		
1		9009306-00	SPACER RND THD 4-40X 1.160	1		
1		9008301-01	SCREW PAN PHIL 4-40X 1.4 SS	1		
1		9009185-00	JUMPER WIRE INSULATED BLACK B	1		W3
1		9105740-55	WIRE(WRAP)30AWG UL1423	1		
1		9006688-00	WASHER LOCK S.S. #4	1		
	A-SP-3700625-0-0		PACKAGING INSTRUCTIONS	1		

REVISION HISTORY		BASIC PART NO: 5414275		DRN: DAVID BRZO		DATE: 14-OCT-79		D I G I T A L	
ENG	ECO NUMBER	REV	SECTION A OF A	CHK'D:	KENT GLEZEN	DATE:	14-OCT-79	TITLE PARTS LIST	
	INITIAL		SECTION VARIATION INDEX	DES.ENG:	BOB QUINN	DATE:	24-DEC-80	VT125 PADDLE BOARD	
MS	5414275-ML001	A		RESP.ENG.:	BOB QUINN	DATE:	29-DEC-80	DOCUMENT NUMBER	
PL	5414275-ML002	B		MFG.ENG.:	AL JOHNS	DATE:	29-DEC-80	SIZE	CODE
				ASSEMBLY NUMBER:	D-UA-5414275-0-0	TOP DOCUMENT NUMBER:	B-DD-5414275-0-0	NUMBER	REV
						FILE NAME:	Z09520.PLS	5414275-0-DBP	C
						EDIT #	17		

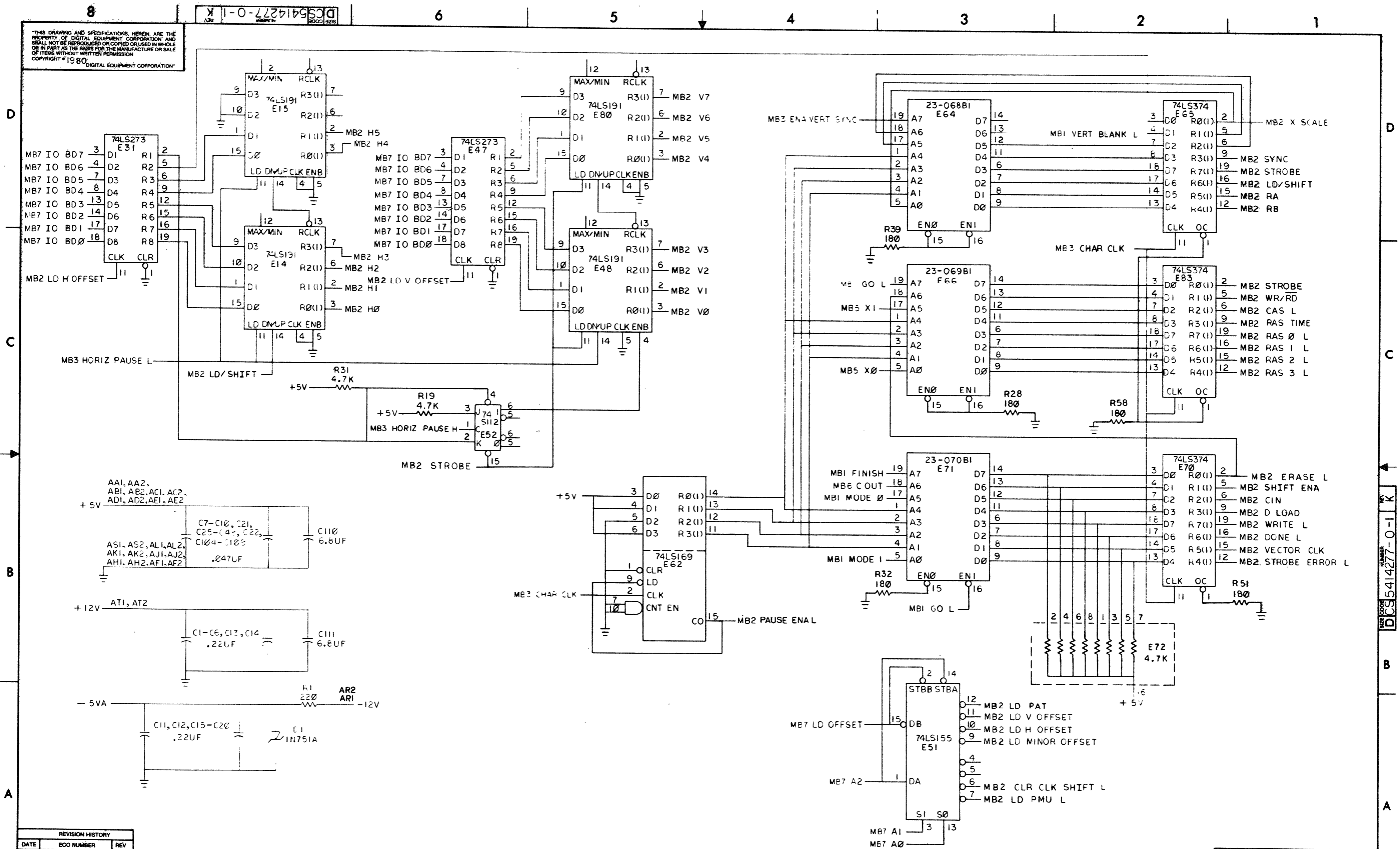
"THIS DRAWING AND SPECIFICATIONS HEREIN, ARE THE PROPERTY OF DIGITAL EQUIPMENT CORPORATION AND SHALL NOT BE REPRODUCED OR COPIED OR USED IN WHOLE OR IN PART AS THE BASIS FOR THE MANUFACTURE OR SALE OF ITEMS WITHOUT WRITTEN PERMISSION. COPYRIGHT (C) 1982, DIGITAL EQUIPMENT CORPORATION"







THIS DRAWING AND SPECIFICATIONS, HEREIN, ARE THE PROPERTY OF DIGITAL EQUIPMENT CORPORATION AND SHALL NOT BE REPRODUCED OR COPIED OR USED IN WHOLE OR IN PART AS THE BASIS FOR THE MANUFACTURE OR SALE OF ITEMS WITHOUT WRITTEN PERMISSION. COPYRIGHT © 1980, DIGITAL EQUIPMENT CORPORATION.



REVISION HISTORY		
DATE	ECO NUMBER	REV

TITLE  
VT125  
MONO BOARD (MB2)

DOCUMENT NUMBER		
SIZE CODE	NUMBER	REV
DCS	5414277-0-1	K
SCALE	SHEET 2 OF 13	



THIS DRAWING AND SPECIFICATIONS HEREIN ARE THE PROPERTY OF DIGITAL EQUIPMENT CORPORATION AND SHALL NOT BE REPRODUCED OR COPIED IN WHOLE OR IN PART AS THE BASIS FOR THE MANUFACTURE OR SALE OF ITEMS WITHOUT WRITTEN PERMISSION.  
 COPYRIGHT © 1980  
 DIGITAL EQUIPMENT CORPORATION

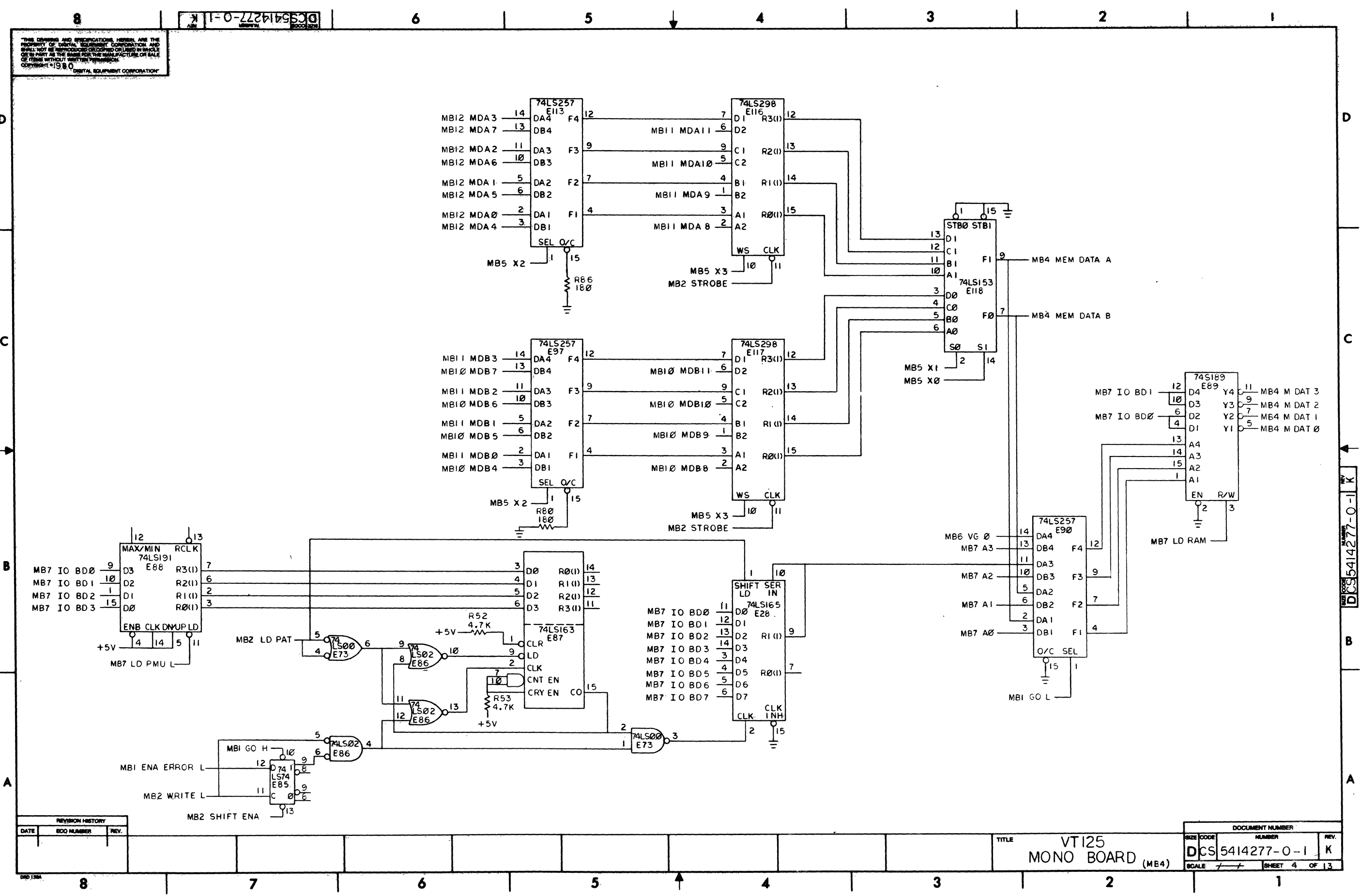
D  
C  
B  
A

D  
C  
B  
A

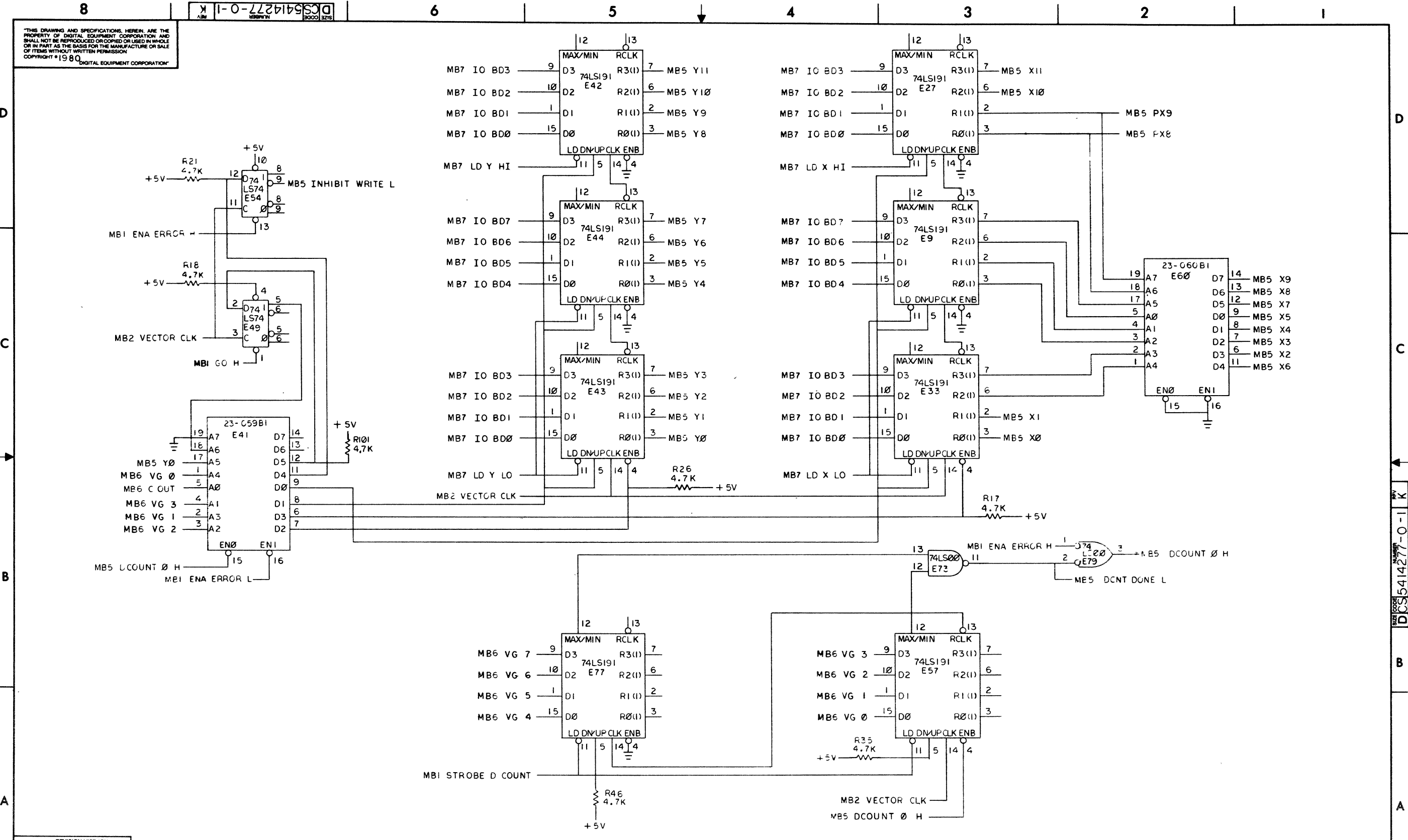
REVISION HISTORY		
DATE	ECO NUMBER	REV.

DOCUMENT NUMBER		REV.
DCS 5414277-0-1	K	
SCALE	SHEET 4 OF 13	

TITLE  
 VT125  
 MONO BOARD (MB4)



THIS DRAWING AND SPECIFICATIONS, HEREIN, ARE THE PROPERTY OF DIGITAL EQUIPMENT CORPORATION AND SHALL NOT BE REPRODUCED OR COPIED OR USED IN WHOLE OR IN PART AS THE BASIS FOR THE MANUFACTURE OR SALE OF ITEMS WITHOUT WRITTEN PERMISSION.  
 COPYRIGHT © 1980 DIGITAL EQUIPMENT CORPORATION



REVISION HISTORY		
DATE	ECO NUMBER	REV

TITLE  
 VT125  
 MONO BOARD (MB5)

DOCUMENT NUMBER		NUMBER	REV.
DCS	5414277-0-1	K	
SCALE		SHEET	5 OF 13



THIS DRAWING AND SPECIFICATIONS HEREIN ARE THE PROPERTY OF DIGITAL EQUIPMENT CORPORATION AND SHALL NOT BE REPRODUCED OR COPIED OR USED IN WHOLE OR IN PART AS THE BASIS FOR THE MANUFACTURE OR SALE OF ITEMS WITHOUT WRITTEN PERMISSION. COPYRIGHT © 1980. DIGITAL EQUIPMENT CORPORATION

DCS 5414277-0-1 K

8

6

5

4

3

2

1

D

D

C

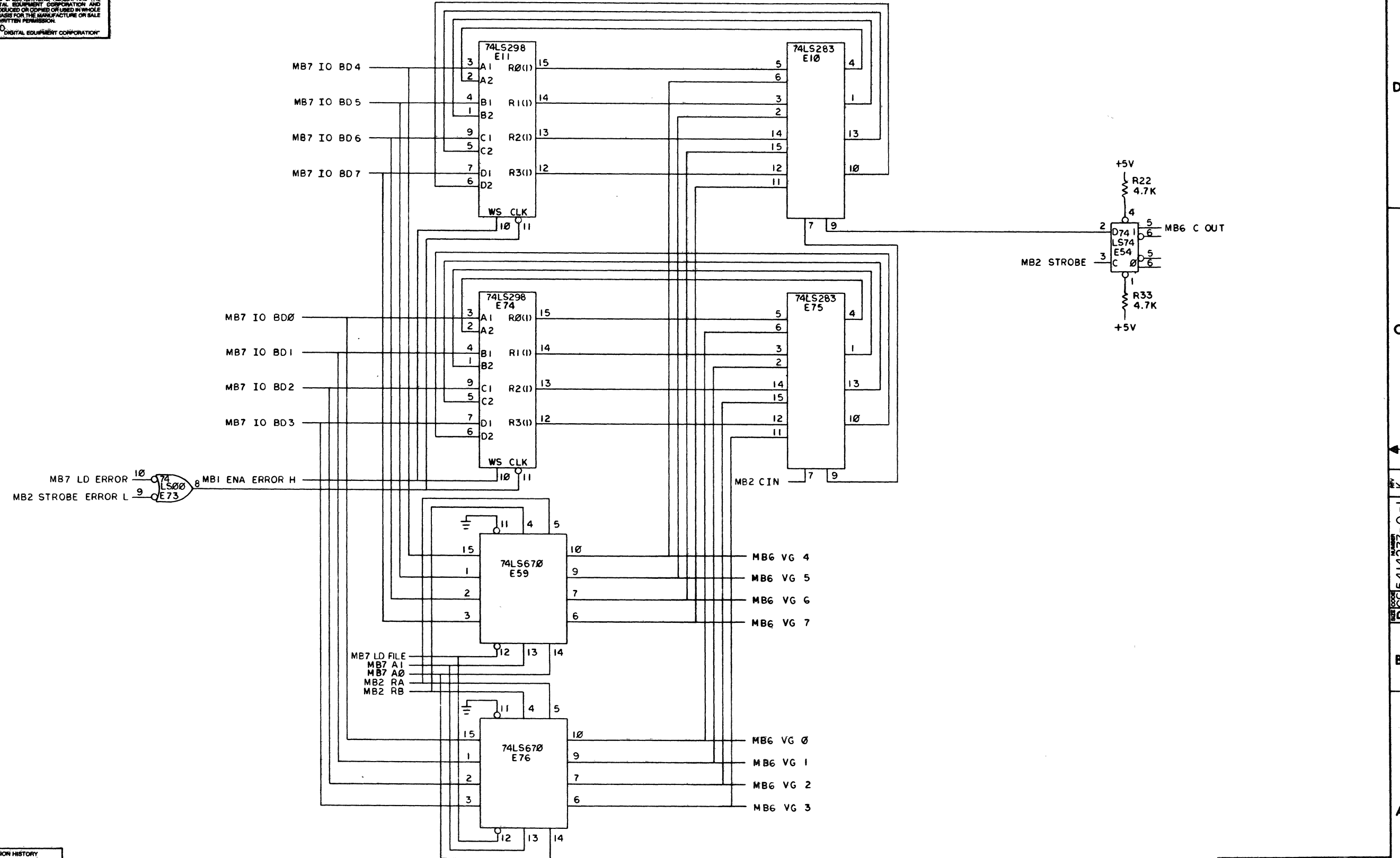
C

B

B

A

A



REVISION HISTORY		
DATE	ECO NUMBER	REV

TITLE  
VT125  
MONO BOARD (MB6)

DOCUMENT NUMBER		
SIZE	CODE	NUMBER
D	CS	5414277-0-1
SCALE	+	SHEET 6 OF 13

DRD 138A

8

7

6

5

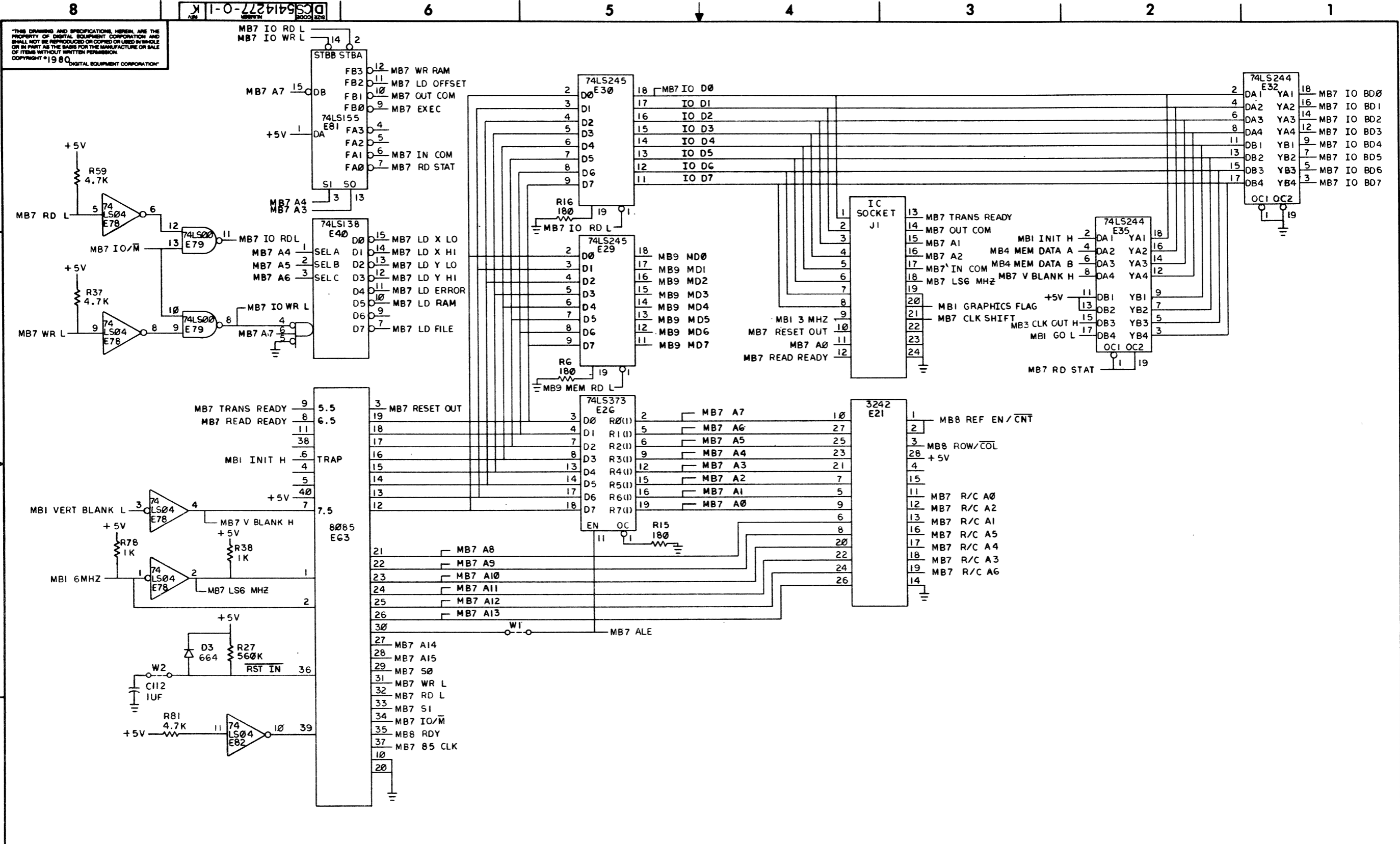
4

3

2

1

DCS 5414277-0-1 K



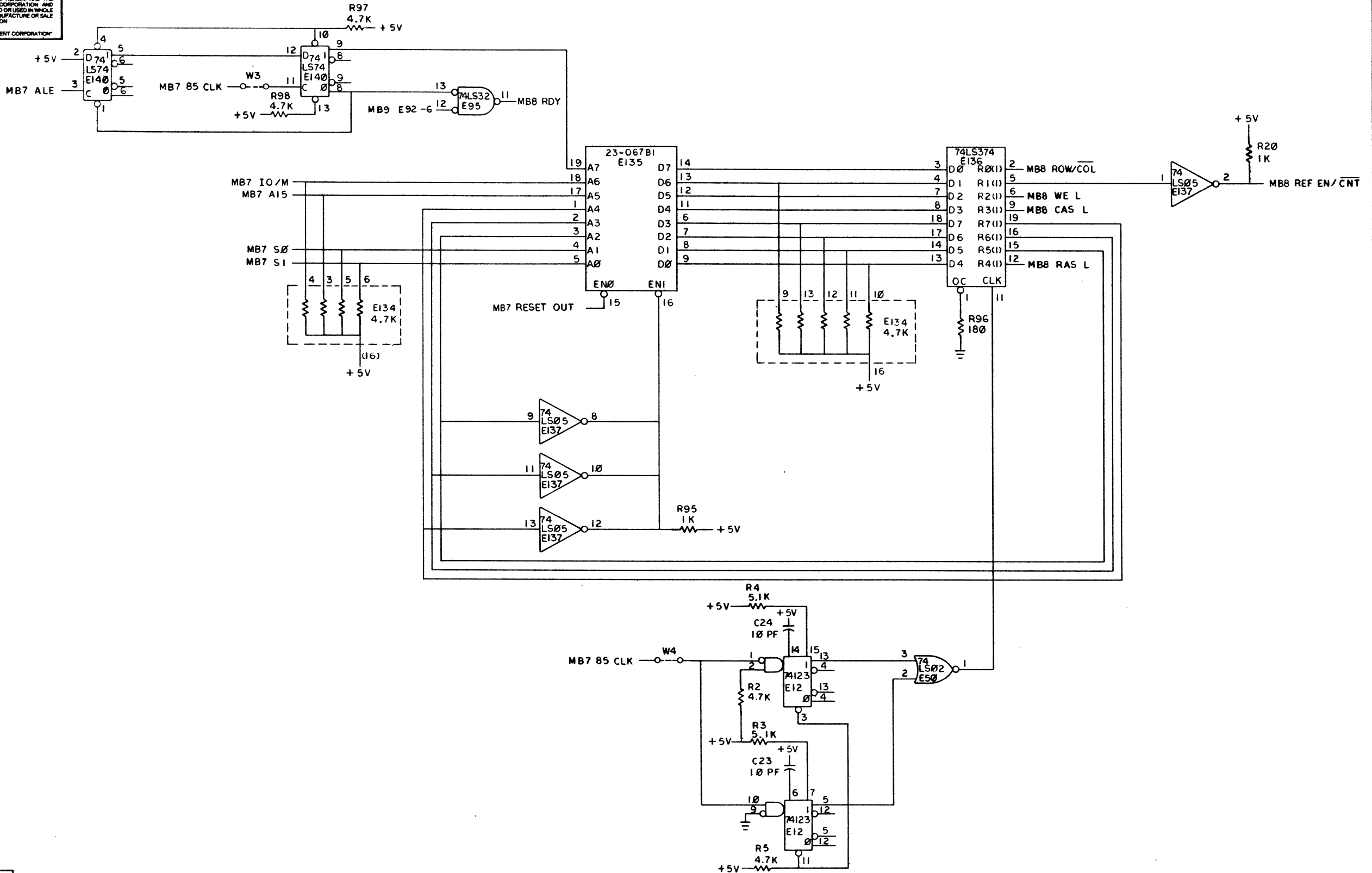
THIS DRAWING AND SPECIFICATIONS HEREIN ARE THE PROPERTY OF DIGITAL EQUIPMENT CORPORATION AND SHALL NOT BE REPRODUCED OR COPIED OR USED IN WHOLE OR IN PART AS THE BASIS FOR THE MANUFACTURE OR SALE OF ITEMS WITHOUT WRITTEN PERMISSION. COPYRIGHT © 1980. DIGITAL EQUIPMENT CORPORATION.

REVISION HISTORY		
DATE	ECO NUMBER	REV.

TITLE		DOCUMENT NUMBER	
SIZE	CODE	NUMBER	REV
		DCS 5414277-0-1	K
VT125 MONO BOARD (MB7)		SHEET 7 OF 13	

THIS DRAWING AND SPECIFICATIONS, HEREIN, ARE THE PROPERTY OF DIGITAL EQUIPMENT CORPORATION AND SHALL NOT BE REPRODUCED OR COPIED OR USED IN WHOLE OR IN PART AS THE BASIS FOR THE MANUFACTURE OR SALE OF ITEMS WITHOUT WRITTEN PERMISSION. COPYRIGHT © 1980 DIGITAL EQUIPMENT CORPORATION.

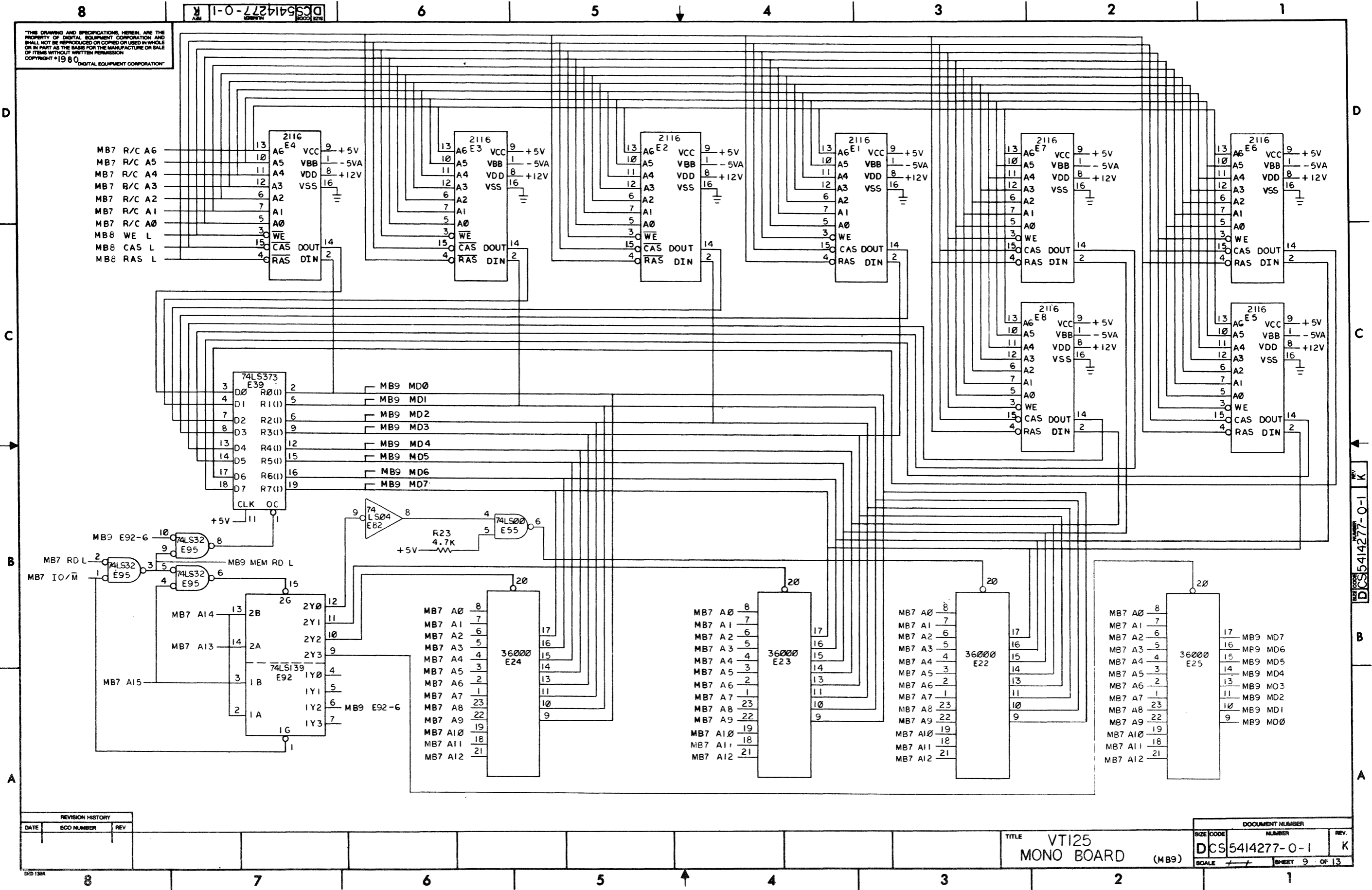
DCS 5414277-0-1 K



REVISION HISTORY		
DATE	ECO NUMBER	REV

TITLE: VT125 MONO BOARD (MB8)  
 DOCUMENT NUMBER: DCS 5414277-0-1 K  
 SCALE: 1:1  
 SHEET 8 OF 13

THIS DRAWING AND SPECIFICATIONS, HEREIN, ARE THE PROPERTY OF DIGITAL EQUIPMENT CORPORATION AND SHALL NOT BE REPRODUCED OR COPIED OR USED IN WHOLE OR IN PART AS THE BASIS FOR THE MANUFACTURE OR SALE OF ITEMS WITHOUT WRITTEN PERMISSION. COPYRIGHT © 1980 DIGITAL EQUIPMENT CORPORATION.



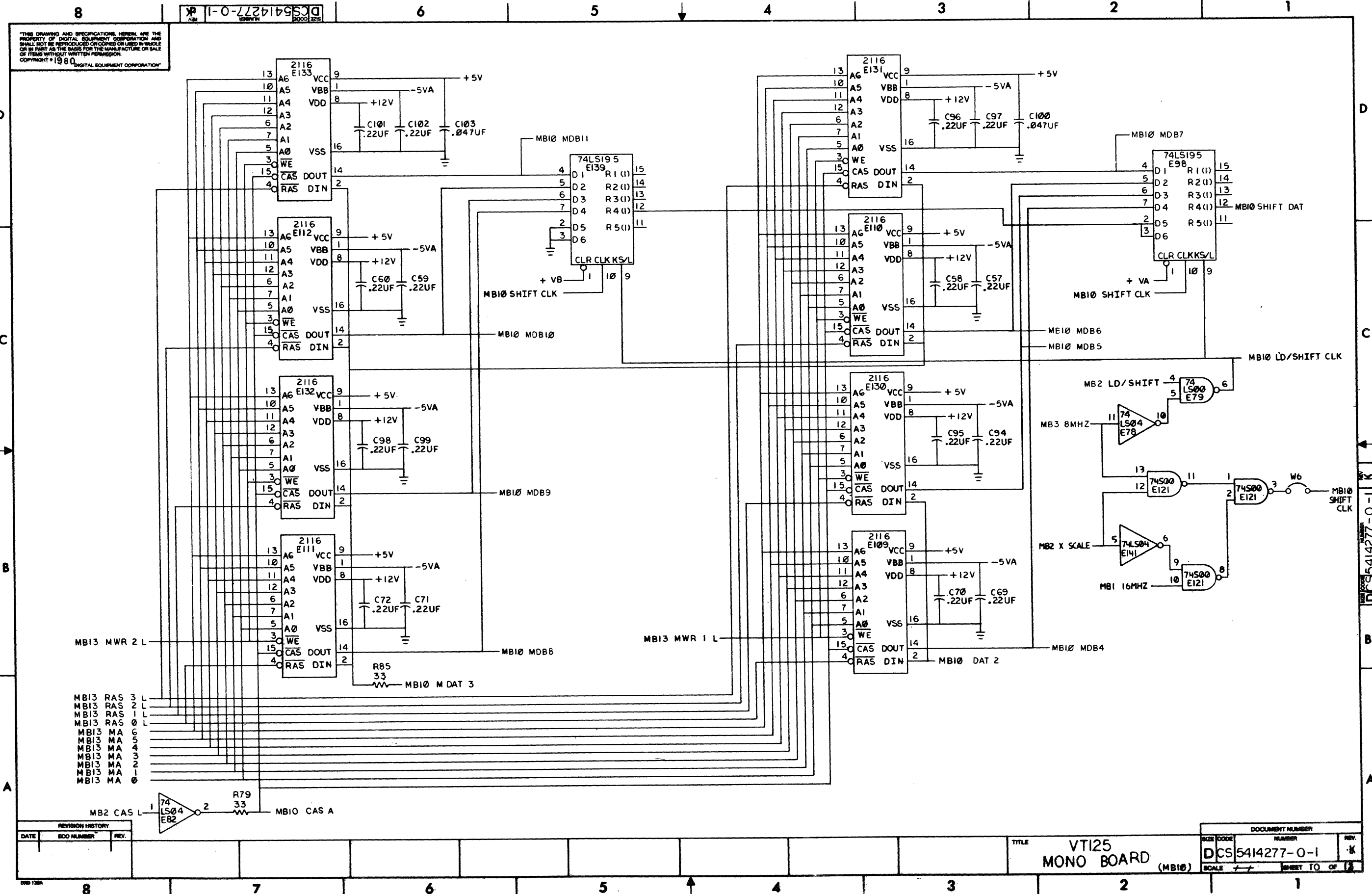
REVISION HISTORY		
DATE	ECO NUMBER	REV

TITLE VT125 MONO BOARD (MB9)

DOCUMENT NUMBER		REV.
SIZE CODE	NUMBER	
DCS	5414277-0-1	K
SCALE	SHEET 9 OF 13	

THIS DRAWING AND SPECIFICATIONS HEREIN ARE THE PROPERTY OF DIGITAL EQUIPMENT CORPORATION AND SHALL NOT BE REPRODUCED OR COPIED IN WHOLE OR IN PART AS THE BASIS FOR THE MANUFACTURE OR SALE OF ITEMS WITHOUT WRITTEN PERMISSION. COPYRIGHT © 1980 DIGITAL EQUIPMENT CORPORATION.

DCS5414277-0-1



REVISION HISTORY		
DATE	ECO NUMBER	REV.

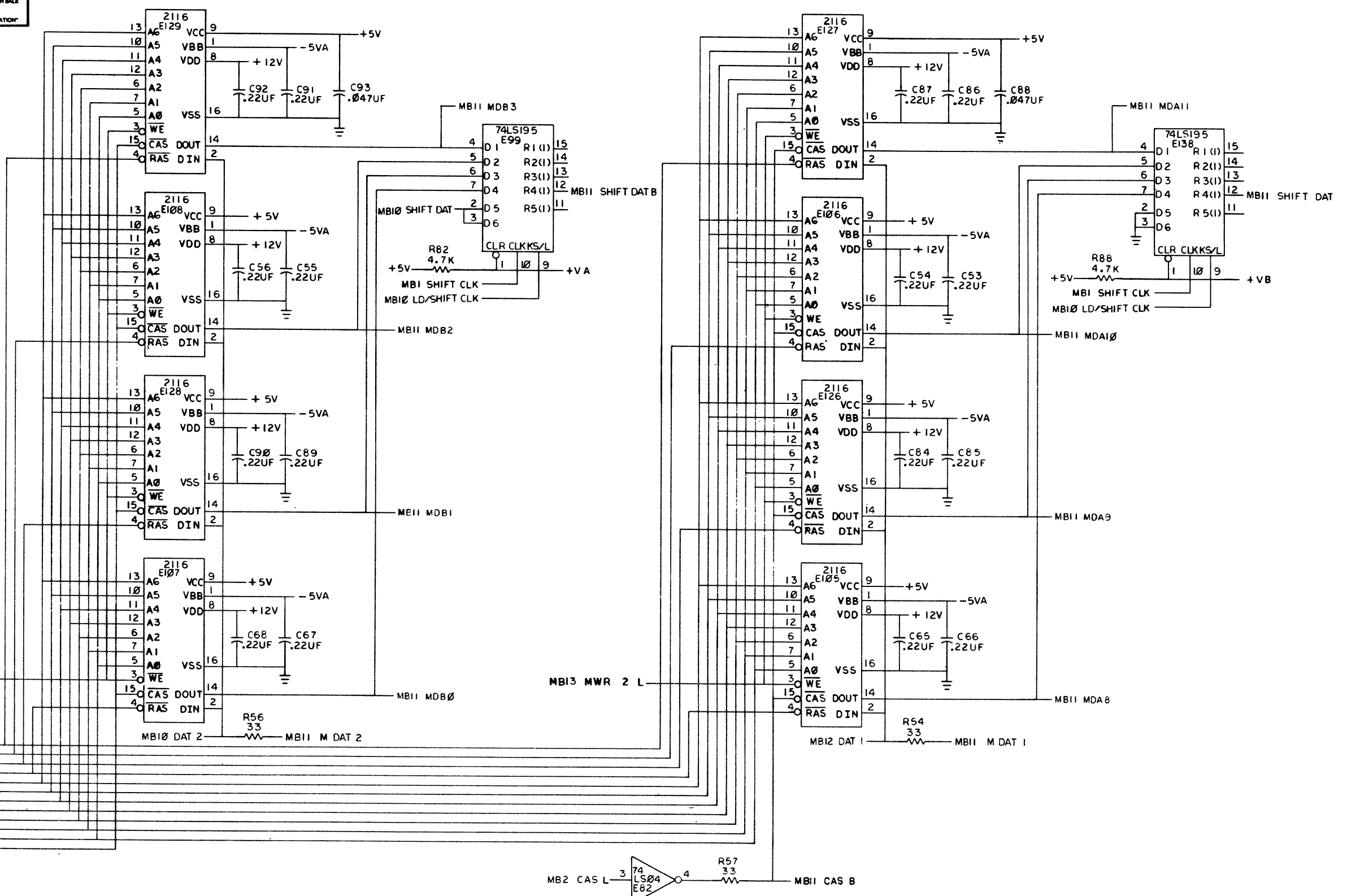
TITLE  
VTI25  
MONO BOARD (MB10)

DOCUMENT NUMBER		REV.
SIZE	DOGE	NUMBER
DCS5414277-0-1		K
SCALE		SHEET TO OF

THIS DRAWING AND SPECIFICATIONS HEREBY ARE THE PROPERTY OF DIGITAL EQUIPMENT CORPORATION AND SHALL NOT BE REPRODUCED OR COPIED OR USED IN WHOLE OR IN PART AS THE BASIS FOR THE MANUFACTURE OR SALE OF ITEMS WITHOUT WRITTEN PERMISSION.  
 COPYRIGHT © 1980  
 DIGITAL EQUIPMENT CORPORATION

D  
C  
B  
A

D  
C  
B  
A



- MB13 RAS 3 L
- MB13 RAS 2 L
- MB13 RAS 1 L
- MB13 RAS 0 L
- MB13 MA 6
- MB13 MA 5
- MB13 MA 4
- MB13 MA 3
- MB13 MA 2
- MB13 MA 1
- MB13 MA 0
- MB10 CAS A

REVISION HISTORY		
DATE	ECO NUMBER	REV.

DOCUMENT NUMBER		REV.
DCS5414277-0-1	K	

VT125  
MONO BOARD (MB11)

SCALE: 1:1 SHEET 11 OF 13



THIS DRAWING AND SPECIFICATIONS HEREIN ARE THE PROPERTY OF DIGITAL EQUIPMENT CORPORATION AND SHALL NOT BE REPRODUCED OR COPIED OR USED IN WHOLE OR IN PART AS THE BASIS FOR THE MANUFACTURE OR SALE OF ITEMS WITHOUT WRITTEN PERMISSION.  
 COPYRIGHT © 1980 DIGITAL EQUIPMENT CORPORATION

DCS 5414277-0-1 K

6

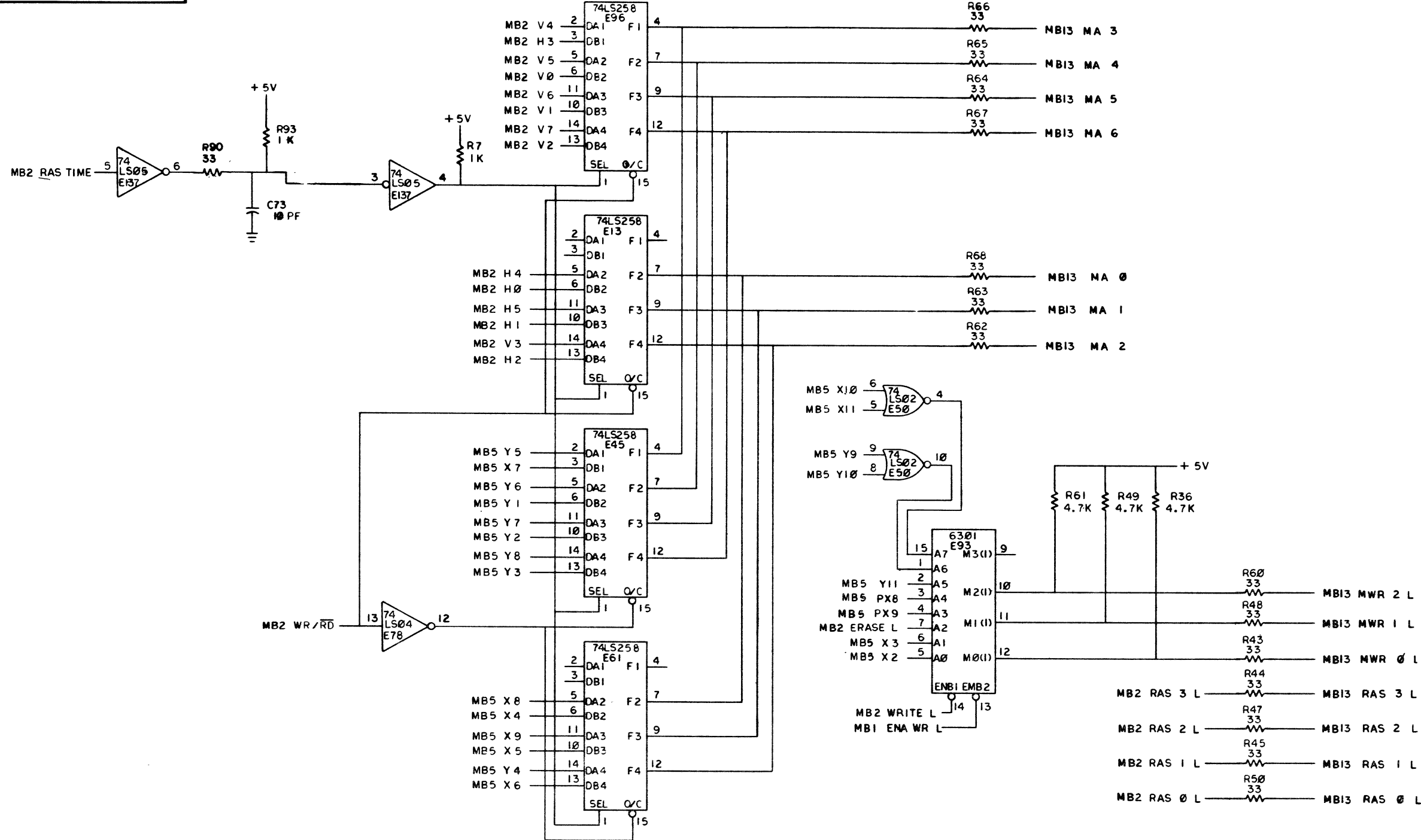
5

4

3

2

1



REVISION HISTORY		
DATE	ECO NUMBER	REV.

TITLE  
 VT125  
 MONO BOARD (MB13)

DOCUMENT NUMBER		REV.
SIZE CODE	NUMBER	
DCS	5414277-0-1	K
SCALE	SHEET 13	OF 13

DCS 5414277-0-1 K



LINE	ITEM	DOCUMENT NUMBER	PART NUMBER	DESCRIPTION	QTY	PER VARIATION	REFERENCE DESIGNATOR
1	1	E-MD-5014276-0-0	5014276-00	DRILL&ETCH BRD	1		
2	2		1012784-00	.047 MFD 50V +80-20% CER	42		C7-C10, C21, C22, C25-C48, C78, C83, C88, C93, C100, C103-C109
3	3		1G10274-01	.22 MFD 50V +80-20% Z5U CER	64	CONT	C49-C72, C74-C77, C79-C82, C84-C87, C89-C92, C94-C99, C101, C102, C1-C6, C11-C20
4	4		1001776-00	1 MFD 35V 10% S.TANT	1		C112
5	5		1005306-00	6.8MFD 35V 10% S.TANT	2		C110, C111
6	6		1013466-01	10.0 MMF 50V 5% CER	3		C23, C24, C73
7	8		111G994-00	1N 751A VZ= 5.1 5% 40W	1		D1
8	9		110C114-00	D 664 QS\75PCB PIV= 25V SP	1		D3
9	10		1215006-02	SKT, IC 16PIN DIP TIN PLATE	1		J2
10	11		1215006-06	SKT, IC 24PIN DIP TIN PLATE	5		J1, XE22-XE25
11	12		1301401-00	750.0 .25 W 5.0 % CC	3		R72, R74, R69
12	13		1300447-00	4.70 K .25 W 5.0 % CC	38		R2, R5, R8, R11-R14, R17-R19, R21-R26, R29-R31, R33-R35, R37, R40-R42, R46, R52, R53, R59, R87, R88, R97, R98, R81, R82, R104, R9
13	14		1300271-00	220.0 .25 W 5.0 % CC	1		R1
14	15		1300197-00	33.0 .25 W 5.0 % CC	22		R43-R45, R47, R48, R50, R54-R57, R60, R62-R68, R79, R85, R90, R102
15	16		1300365-00	1.0 K .25 W 5.0 % CC	9	CONT	R7, R20, R38, R78, R95, R36, R49, R61, R93
16	17		1301322-00	180.0 .25 W 5.0 % CC	12	CONT	R6, R10, R15, R16, R28, R32, R39, R51, R58, R80, R86, R96
17	19		1312930-00	5.10 K .25 W 5.0 % CC	2		R3, R4
18	20		1312992-00	560.0 K .25 W 5.0 % CC	1		R27
19	21		1311522-00	200.0 .25 W 5.0 % CC	3		R75, R84, R89
20	22		1300229-00	100.0 .25 W 5.0 % CC	3		R76, R83, R91
21	23		1302379-00	75.0 .25 W 5.0 % CC	3		R77, R92, R94

REVISION HISTORY		BASIC PART NO: 5414277		DRN: RITA BUREAU		DATE: 12-DEC-80		D I G I T A L	
ENG:	ECO NUMBER	REV	SECTION A OF A	CHK'D: JOHN LEPKOWSKI		DATE: 25-JUL-80		TITLE PARTS LIST	
---	INITIAL	A	SECTION VARIATION INDEX	DES. ENG: ROBERT QUINN		DATE: 12-DEC-80		VT125 MONO BOARD	
RQ	5414277-ML001	B	[A] 00	RESP. ENG.: ROBERT QUINN		DATE: 12-DEC-80		DOCUMENT NUMBER	
RQ	5414277-ML002	C	[B]	MFG. ENG.: AL JOHNS		DATE: 12-DEC-80		SIZE CODE NUMBER REV	
RQ	5414277-ML003	D	[C]	ASSEMBLY NUMBER:		TOP DOCUMENT NUMBER:		FILE NAME:	
BE	5414277-ML004	E	[D]	E-UA-5414277-0-0		B-DD-5414277-0-0		Z0953L.PLS	
BE	5414277-ML005	F	[E]					EDIT #	
LG	5414277-ML006	H	[F]					44	
LG	5414277-ML007	J	[H]						
LG	5414277-ML008	K	[J]						
LG	5414277-ML010	L	[K]						
			[L]						
			[M]						
			[N]						

"THIS DRAWING AND SPECIFICATIONS HEREIN, ARE THE PROPERTY OF DIGITAL EQUIPMENT CORPORATION AND SHALL NOT BE REPRODUCED OR COPIED OR USED IN WHOLE OR IN PART AS THE BASIS FOR THE MANUFACTURE OR SALE OF ITEMS WITHOUT WRITTEN PERMISSION. COPYRIGHT (C) 1982. DIGITAL EQUIPMENT CORPORATION"

LINE ITEM	DOCUMENT NUMBER	PART NUMBER	DESCRIPTION	QTY	PER VARIATION	REFERENCE DESIGNATOR
22	24	1300391-00	1.50 K .25 W 5.0 % CC	3		R70, R71, R73
23	25	1300005-07	R NETWORK 15-4.7K 5.0 % 16PIN	2		E72, E134
24	27	1501913-00	2N 2904A PNP 600MW SI 60 40 Y	3		Q2, Q3, Q4
25	28	1912739-00	LS00 NAND-GATE-QUAD 2IN, P	3		E55, E73, E79
26	29	1912867-00	LS298 MUX 1 OF 4, 2IN W/S	4		E11, E74, E116, E117
27	30	1912647-00	LS257 MUX 1 OF 2 (QUAD)	3		E90, E97, E113
28	31	1912801-00	LS02 NOR-GATE-QUAD 2IN	2		E50, E86
29	32	1914082-00	74S163 COUNTER, SYNCH UP/DOW	8		E36, E67, E68, E84, E87, E91, E94, E19
30	33	1912845-00	LS153 MUX 1 OF 4 (DUAL)	1		E118
31	34	1912855-00	LS195 SHIFT REG., 4BIT PARA	6		E98, E99, E114, E115, E138, E139
32	35	1913939-00	LS191 COUNTER, SYNCHR. UP/D	13		E9, E14, E15, E27, E33, E42-E44, E48,
					CONT	E57, E77, E80, E88
33	36	1912656-00	LS670 REGISTER FILE, 4X4, LO	4		E46, E58, E59, E76
34	37	1912865-00	LS283 ADDER-4BIT BINARY FU	2		E10, E75
35	38	1912824-00	LS74 FF-D DUAL, EDGE TRIGG	8		E20, E37, E38, E49, E54, E56, E85, E140
36	39	1912829-00	LS86 X-OR GATE-QUAD 2IN	1		E53
37	40	1912803-00	LS04 INVERTER GATE, HEX	3		E78, E82, E141
38	41	1912859-00	LS258 MUX 1 OF 2 (DUAL)	4		E13, E45, E61, E96
39	42	1912804-00	LS05 INVERTER GATE-HEX 11	1		E137
40	43	1912846-00	LS155 DECODER, 2 OF 4 (DUAL)	2		E51, E81
41	44	1912842-00	LS138 DECODER-THREE INPUT,	1		E40
42	45	1912837-00	LS123 ONE SHOT-DUAL, RETRIG	1		E12
43	46	1913839-00	LS165 SHIFT REG., 8BIT	1		E28
44	47	1912816-00	LS32 OR GATE-QUAD 2IN, POS	1		E95
45	48	1910545-00	74S112 FF-JK DUAL, EDGE TRIG	1		E52
46	49	1915218-00	LS245 TRANSCEIVER, BUS, OCT	2		E29, E30
47	50	1915193-00	LS244 DRIVER, LINE, OCTAL, T	2		E32, E35
48	51	1912843-00	LS139 DECODER, 2 OF 4 (DUAL)	1		E92
49	52	1915219-00	LS373 FF-D OCTAL-TRANSPARE	2		E26, E39
50	53	1914214-00	LS374 FF-D OCTAL EDGE TRIG	6		E31, E47, E65, E70, E83, E136
51	54	1909928-00	7416 INVERTER GATE-HEX 11	1		E100
52	55	1912851-00	LS169 COUNTER, SYNCH. UP/DO	2		E34, E62
53	56	1914750-00	D 3242 MUX, ADDRESS & COUNT	1		E21
54	57	1912661-00	74S189 MEMORY READ/WRITE	1		E89
55	58	2113825-01	16K MOS RAM 200NS 1	32		E1-E8, E101-E112, E122-E133
56	59	23582A2-00	A2-05	1		E93
57	60	9009185-00	JUMPER, WIRE, INSULATED, BLACK B	6		W1-W6
58	61	2114963-00	UP, 8-BIT NMOS	1		E63
59	62	23043E4-00	E4-01, E4-03	1		E22
60	63	23044E4-00	E4-01, E4-03	1		E23
61	64	23045E4-00	E4-01, E4-03	1		E24
62	65	2305981-00	B1-01	1		E41
63	66	2306081-00	B1-01	1		E60
64	67	2306781-00	B1-01	1		E135
65	68	2306881-00	B1-01	1		E64
66	69	2306981-00	B1-01	1		E66
67	70	2307081-00	B1-01	1		E71
68	72	1910532-00	74S00 NAND GATE-QUAD 2IN	2		E17, E121

D	I	G	I	T	A	L	TITLE	VT125 MONO BOARD	SECTION A OF A	SIZE	CODE	DOCUMENT NUMBER	REV
										K	PL	5414277-0-DBP	L

PARTS LIST

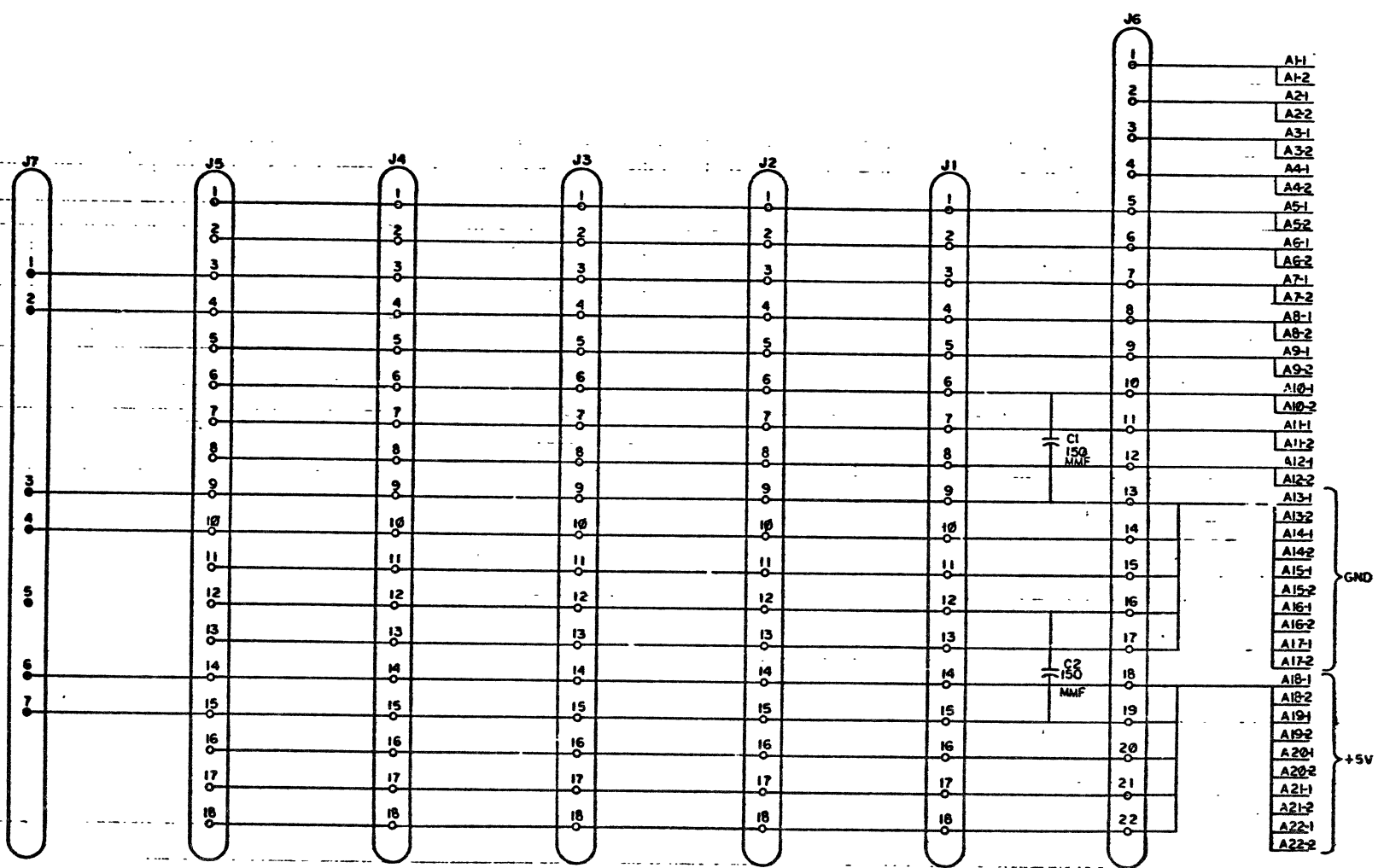
Automated BY PRTLST.3L(40)

LINE ITEM	DOCUMENT NUMBER	PART NUMBER	DESCRIPTION	QTY PER VARIATION	REFERENCE DESIGNATOR
69	74	1910544-00	74574 FF-D DUAL,EDGE TRIGG	2	E69,E16
70	76	9006557-00	NUT,KEP 4-40X 1/4 AF	2	
71	77	7017531-00	BRKT, BNC ASSY	1	
72	78	1215006-08	SKT, IC 40PIN DIP TIN PLATE	1	XE63
73	79	1912096-00	DEC, 74586 XOR GATE, QUAD 2IN	1	E119
74	80	1913671-00	745374 FF-D OCTAL TRISTATE	1	E120
75	81	1618238-02	BEAD, FERRITE .1380DX.330LG	6	L2,L5,L6,L8,L12,L10
76	82	9009189-00	TERM, TAB .250TAB .130STUD MN	1	
77	83	1614402-00	BEAD, SHIELDING, FERRITE	3	
78	84	9003416-00	WASHER, PLASTIC, .193 ID X.390 OD	2	
79	85	9006011-01	SCREW, PAN, PHIL 4-40X 3/8 SS	2	
80	86	9105740-55	*** THIS ITEM IS NOT USED ***	-	
81	87	9007201-00	TRANSIFADS #10253	3	
82	88	1002424-00	1200.0 MMF 100V 5%200PPM MICA	1	C113
83	89	1300247-00	120.0 .25 W 5.0 % CC	1	R103
84	90	9107256-11	*** THIS ITEM IS NOT USED ***	-	
85	91	1002087-00	12.0 MMF 100V 5%200PPM MICA	1	C114
86	92	1619677-01	DELAY= 20NS ACTIVE TTL	1	E18
87	93	A-SP-3700625-0-0	PACKAGING INSTRUCTIONS	1	

D	I	G	I	T	A	L	TITLE	VT125 MONO BOARD	SECTION A OF A	SIZE	CODE	DOCUMENT NUMBER	REV
										K	PL	5414277-0-DBP	L

THESE DRAWINGS AND SPECIFICATIONS, HEREIN, ARE THE PROPERTY OF DIGITAL EQUIPMENT CORPORATION AND SHALL NOT BE REPRODUCED OR COPIED OR USED IN WHOLE OR IN PART AS THE BASIS FOR THE MANUFACTURE OR SALE OF ITEMS WITHOUT WRITTEN PERMISSION. COPYRIGHT © 1978 DIGITAL EQUIPMENT CORPORATION

DIGITAL EQUIPMENT CORPORATION  
5413384-0-1



- A1-1
- A1-2
- A2-1
- A2-2
- A3-1
- A3-2
- A4-1
- A4-2
- A5-1
- A5-2
- A6-1
- A6-2
- A7-1
- A7-2
- A8-1
- A8-2
- A9-1
- A9-2
- A10-1
- A10-2
- A11-1
- A11-2
- A12-1
- A12-2
- A13-1
- A13-2
- A14-1
- A14-2
- A15-1
- A15-2
- A16-1
- A16-2
- A17-1
- A17-2
- A18-1
- A18-2
- A19-1
- A19-2
- A20-1
- A20-2
- A21-1
- A21-2
- A22-1
- A22-2

GND  
+5V

REV.	DESCRIPTION
1	CHANGE NO. ML002 B
2	5413384-0-1
3	FILED IN 1-27-79
4	FILED IN 1-27-79
5	5413384-0-1
6	FILED IN 1-27-79
7	5413384-0-1
8	FILED IN 1-27-79

DRW. <i>[Signature]</i>	DATE 5-31-79	FIRST USED ON	VT100
CHKD. <i>[Signature]</i>	DATE 1-8-79	TITLE	VT100 EXPANSION BACKPLANE
ENG. <i>[Signature]</i>	DATE 7-22-79	PROJ. ENG. <i>[Signature]</i>	DATE 7-22-79
PROD. <i>[Signature]</i>	DATE 7-23-79	REPT. HIGHER ASSY.	
B-DD-5413384-0		SIZE CODE	D CS
SCALE		NUMBER	5413384-0-1
SHEET 1 OF 1		DIST.	C

DIGITAL EQUIPMENT CORPORATION  
5413384-0-1



# PARTS LIST

## QUANTITY / VARIATION

NOTES: 1. VARIATIONS BA, BB, CA, CB, DA, DB ARE SHIPPING CONFIGURATIONS ONLY, AND ARE PACKAGED AT BOTH THE WAREHOUSE AND FA&T SYSTEMS PLANTS.

DRN. R. ROBICHAUD DATE 28/APR/80	DES. ENG. RICH LEITERMANN DATE 28/SEPT/81	MFG. ENG. R. J. COLBY DATE 29/SEPT/81
CHK'D. D. HEALY DATE 28/SEPT/81	RESP. ENG. BOB QUINN DATE 28/SEPT/81	NEXT HIGHER DOC. B-DD-VT125-0

VT125-AA	VT125-AB	VT125-CF	VT125-CH	VT125-CJ	VT125-CK	VT125-BA	VT125-BB	VT125-CA	VT125-CB	VT125-DA	VT125-DB
----------	----------	----------	----------	----------	----------	----------	----------	----------	----------	----------	----------

### REFERENCE DESIGNATORS

ITEM NO.	DRAWING NO.	PART NO.	DESCRIPTION	VT125-AA	VT125-AB	VT125-CF	VT125-CH	VT125-CJ	VT125-CK	VT125-BA	VT125-BB	VT125-CA	VT125-CB	VT125-DA	VT125-DB
1.		EK-VT125-UG	USERS GUIDE VT125	1	1	1	1	1	1	-	-	-	-	-	-
2.		3618307-05	FCC CLASS A USER STATEMENT	1	1	1	1	1	1	-	-	-	-	-	-
3.		EK-VT125-RC	PROGRAMMING REF CARD	1	1	1	1	1	1	-	-	-	-	-	-
4.		3619053-01	SETUP LABEL	1	1	1	1	1	1	-	-	-	-	-	-
5.		9906557-27	BAG, ZIP LOCK	1	1	1	1	1	1	-	-	-	-	-	-
6.		9000732-00	TIE WRAP	1	1	1	1	1	1	-	-	-	-	-	-
7.		VT125-AA	GRAPHICS TERMINAL	1	-	1	1	-	-	4	-	8	-	16	-
8.		VT125-AB	GRAPHICS TERMINAL	-	1	-	-	1	1	-	4	-	8	-	16
9.		QE118-AY	11/780 RGL	-	-	1	-	1	-	-	-	-	-	-	-
10.		QD118-AG	11/750 RGL	-	-	-	1	-	1	-	-	-	-	-	-
11.		1215336-00	CONN, TEST, W/BALL CHAIN	1	1	1	1	1	1	-	-	-	-	-	-
12.	C-AD-7018906-0-DBU	7018906-00	ASSY EMI FILTER	1	1	1	1	1	1	-	-	-	-	-	-

ECO NO.  
VT125-ML001  
ML003

"THIS DRAWING AND SPECIFICATIONS, HEREIN, ARE THE PROPERTY OF DIGITAL EQUIPMENT CORPORATION AND SHALL NOT BE REPRODUCED OR COPIED OR USED IN WHOLE OR IN PART AS THE BASIS FOR THE MANUFACTURE OR SALE OF ITEMS WITHOUT WRITTEN PERMISSION.  
COPYRIGHT © 1980 DIGITAL EQUIPMENT CORPORATION"

TITLE  
VT125 SHIPPING LIST

ASSY. NO.  
NONE  
SECTION 1 OF 1

SIZE <b>B</b>	CODE <b>PL</b>	NUMBER VT125-0	REV. <b>C</b>
SHEET 1		OF 1	

## TABLE OF CONTENTS

B-TC-VT100-0-1	VT100 UNIT ASSY. (TC)
E-UA-VT100-0-0	VT100 UNIT ASSY.
C-PL-VT100-0-0	VT100 UNIT ASSY. (PL)
E-UA-5413009-0-0	BASIC VIDEO BOARD
K-PL-5413009-0-DBP	BASIC VIDEO BOARD (PL)
D-CS-5413009-0-1	BASIC VIDEO BOARD (CS)
E-UA-5412996-0-0	H7831 POWER SUPPLY BOARD
K-PL-5412996-0-DBP	H7831 POWER SUPPLY BOARD (PL)
D-CS-5412996-0-1	H7831 POWER SUPPLY BOARD (CS)
D-AD-7014979-0-0	POWER SUPPLY ASSY.
E-UA-5413404-0-0	KEYBOARD ASSY.
K-PL-5413404-0-DBP	KEYBOARD ASSY. (PL)
D-CS-5413404-0-1	KEYBOARD ASSY. (CS)
D-AD-7015765-0-0	KEYBOARD/KEYCAP ASSY.
C-PL-7015765-0-0	KEYBOARD/KEYCAP ASSY. (PL)
D-AR-7015765-0-1	KEYCAP ARRANGEMENT (MAIN ARRAY & NUMERIC)
D-IA-7014978-0-0	POWER CABLE ASSY.
D-CS-3014590-0-1	CRT MONITOR (CS) (FOR PS-3014590-0-0)
E-UA-VT1XX-AA-0	20 MA CURRENT LOOP OPTION
E-UA-5413206-0-0	20 MA CURRENT LOOP
K-PL-5413206-0-DBP	20 MA CURRENT LOOP (PL)
D-CS-5413206-0-1	20MA CURRENT LOOP (CS)
D-IA-7015273-0-0	20 MA ADAPTER ASSY.
C-IA-7015506-0-0	CABLE, INTERNAL
C-UA-BC05P-0-0	CABLE INTERFACE BC05P
E-UA-5413097-0-0	ADVANCED VIDEO BOARD
K-PL-5413097-0-DBP	ADVANCED VIDEO BOARD (PL)
D-CS-5413097-0-1	ADVANCED VIDEO BOARD (CS)
A-PL-VT100-0	SHIPPING LIST VT100
A-SP-VT100-W-0	WORD PROCESSING TERMINAL INSTALLATION NOTES
D-UA-5414131-0-0	VT100 MONITOR
K-PL-5414131-0-DBP	VT100 MONITOR
D-CS-5414131-0-1	VT100 MONITOR

UNIT VARIATIONS COVERED BY THIS PRINT SET
VT100-AA
VT100-AB
VT100-NA
VT100-NB
VT100-WA
VT100-WB
VT100-WC
VT100-WD
VT100-WE
VT100-WF
VT100-WG
VT100-WH
VT100-WJ
VT100-WK
VT100-WY
VT100-WZ
VT100-LA
VT100-LB
VT100-PA
VT100-PB
VT100-PC
VT100-PD
VT100-PE
VT100-PF
VT100-BA
VT100-BB
VT100-CA
VT100-CB
VT100-DA
VT100-DB

# VT100-0

## Field Maintenance Print Set

### Digital Equipment Corporation

PRINT SET ORDER NO.  
MP00633

REV. E  
NUMBER VT100-0-1  
SIZE CODE B TC

REVISIONS		USED ON OPTION/MODEL	DRN.	DATE	TITLE: VT100 UNIT ASSY. (TABLE OF CONTENTS)	digital		
DATE	CHG. NO.		B. BLODGETT	27 OCT 77				
FEB-82	VT100-ML041 D		CHK'D	10 APR 78				
G-10-82	VT100ML047 E		D. HEALY					
			PROJ. ENG.	DATE				
			G. DOUMANI	6-26-78				
			FIELD SERV.	DATE	SIZE	CODE	NUMBER	REV.
			J. ZALESKA	12 JUL 78	B	TC	VT100-0-1	E
					DIST.			

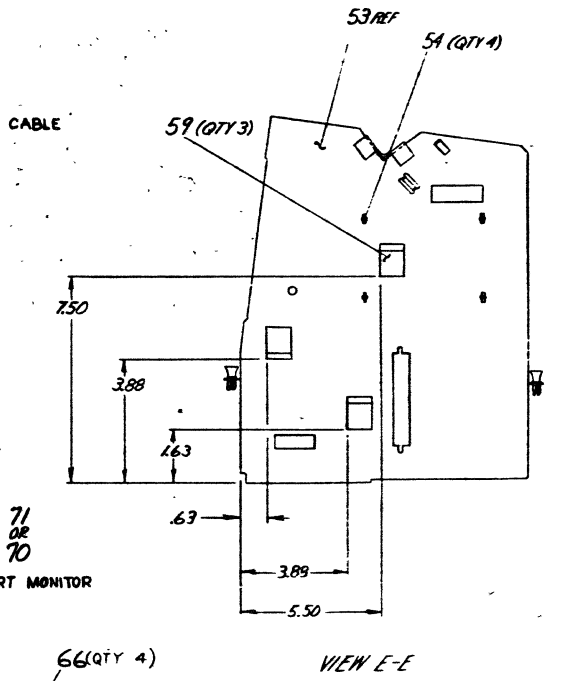
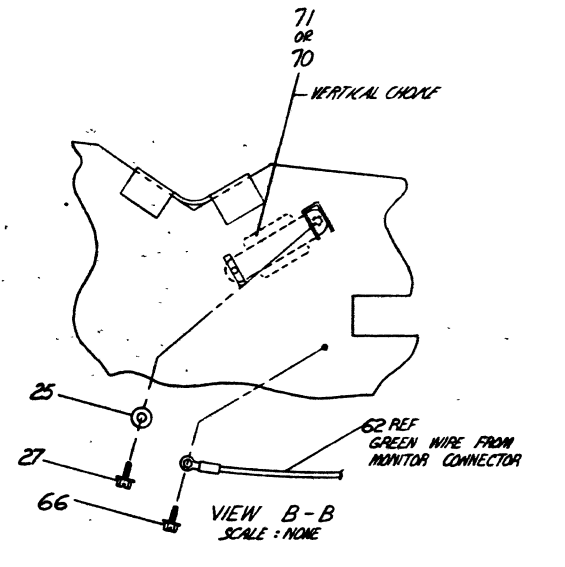
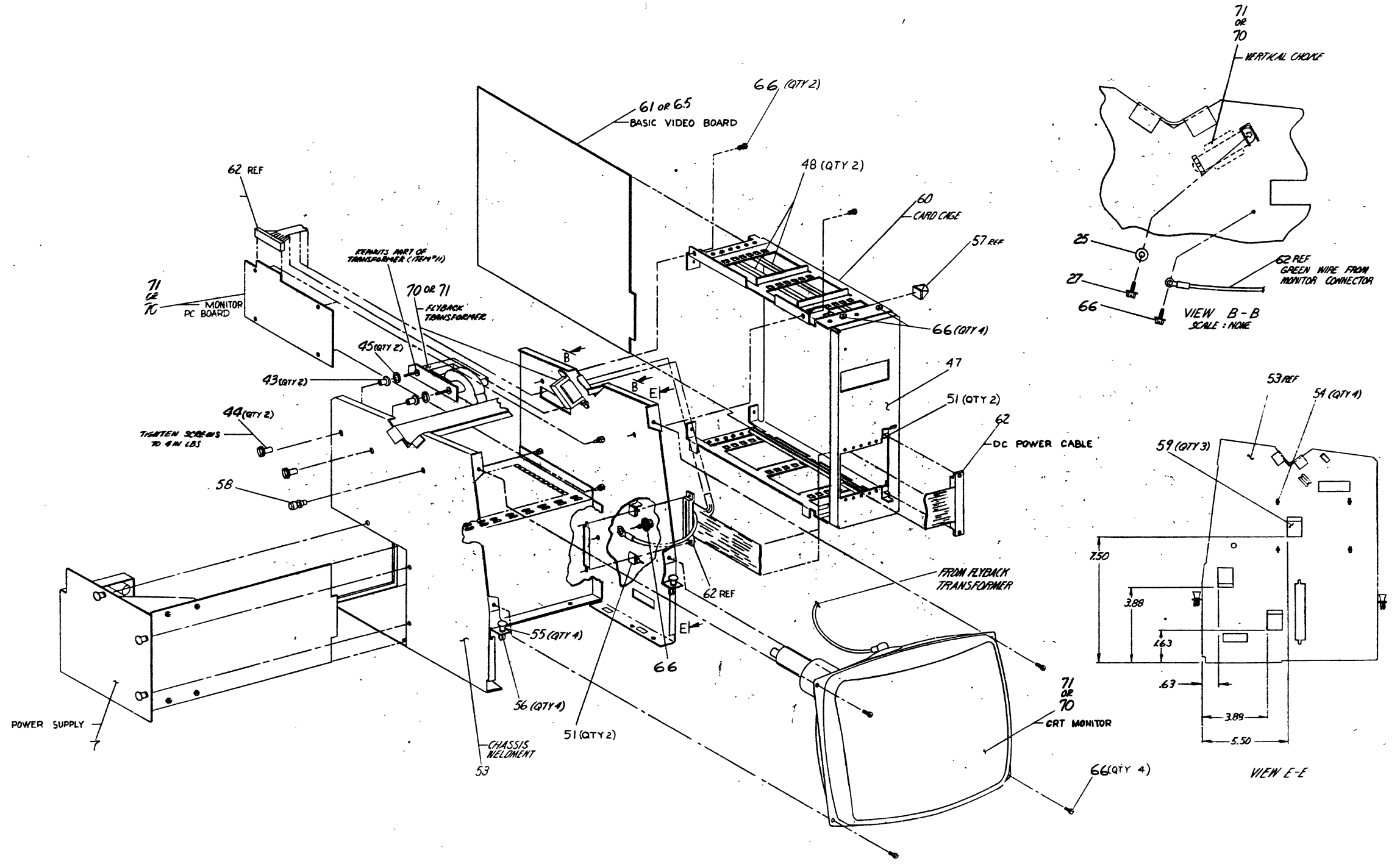
SHEET 1 OF 1







THIS DRAWING IS UNCLASSIFIED SINCE IT IS A TECHNICAL DRAWING OF A PRODUCT OF THE UNITED STATES OF AMERICA. IT IS RELEASED UNDER THE NATIONAL ARCHIVES ACT OF 1977. DATE OF DECLASSIFICATION: 1977. BY: NND 880000.



THIRD ANGLE PROJECTION		DESCRIPTION		DISC. PART NO.		ITEM NO.	
UNLESS OTHERWISE SPECIFIED DIMENSIONS ARE IN INCHES	UNLESS OTHERWISE SPECIFIED DIMENSIONS ARE IN INCHES	AMOUNT OF STOCK	DATE OF REVISION	REV.	DATE	BY	CHKD.
QUANTITY & VARIATION	REVISIONS	REVISIONS	REVISIONS	REVISIONS	REVISIONS	REVISIONS	REVISIONS
THIRD ANGLE PROJECTION	DATE: 2/3/77	REV. 1	REV. 2	REV. 3	REV. 4	REV. 5	REV. 6
DESIGNED BY: [Signature]	CHCKD BY: [Signature]	ENGR. [Signature]	PRG. [Signature]	DATE: 2/3/77	DATE: 2/3/77	DATE: 2/3/77	DATE: 2/3/77
DO NOT SCALE DIMS		NEXT HIGH ASSEMBLY		FIRST USED ON		VT1000	
MATERIAL SEE PARTS LIST		B-DD-VT1000-0		SCALE 1/2"		EJA VT1000-0-0 A.J.	
FORM 3		SHEET 3 OF 3		DATE: 2/3/77		BY: [Signature]	

REV. 1  
DATE: 2/3/77  
BY: [Signature]

VT1000-0-0 A.J.

LINE ITEM	DOCUMENT NUMBER	PART NUMBER	DESCRIPTION	QUANTITY PER VARIATION													
				AA	AB	NA	NB	WA	WB	WC	WD	WE	WF	WG	WH		
1	1	D-UA-7014653-0-0	7014653-00	KEYBOARD ASSY	1	1	-	-	-	-	-	-	-	-	-	-	-
2	2	E-IA-7014980-0-0	7014980-00	*** THIS ITEM IS NOT USED ***	-	-	-	-	-	-	-	-	-	-	-	-	-
3	3	D-IA-7014976-0-0	7014976-00	WORT BOX ASSY	1	1	1	1	1	1	1	1	1	1	1	1	1
4	4	D-IA-7014974-0-0	7014974-00	ENCLOSURE, CRT TOP ASSY	1	1	1	1	1	1	1	1	1	1	1	1	1
5	5		7014975-00	*** THIS ITEM IS NOT USED ***	-	-	-	-	-	-	-	-	-	-	-	-	-
6	6		7014977-00	*** THIS ITEM IS NOT USED ***	-	-	-	-	-	-	-	-	-	-	-	-	-
7	7	D-AD-7014979-0-0	7014979-00	POWER SUPPLY ASSY	1	1	1	1	1	1	1	1	1	1	1	1	1
8	8		7014978-01	*** THIS ITEM IS NOT USED ***	-	-	-	-	-	-	-	-	-	-	-	-	-
9	9		5413009-00	*** THIS ITEM IS NOT USED ***	-	-	-	-	-	-	-	-	-	-	-	-	-
10	10		7419836-00	*** THIS ITEM IS NOT USED ***	-	-	-	-	-	-	-	-	-	-	-	-	-
11	11		3016080-00	*** THIS ITEM IS NOT USED ***	-	-	-	-	-	-	-	-	-	-	-	-	-
12	12		9010007-00	*** THIS ITEM IS NOT USED ***	-	-	-	-	-	-	-	-	-	-	-	-	-
13	13		9009967-00	*** THIS ITEM IS NOT USED ***	-	-	-	-	-	-	-	-	-	-	-	-	-
14	14		3615680-00	LABEL, ADHESIVE BACK, SWITCH POSIT	1	1	1	1	1	1	1	1	1	1	1	1	1
15	15	A-PS-170006-0-0	1700083-09	PWR CORD, TERM. 75IN, 18-3, 125V 10	1	-	1	-	1	-	1	-	1	-	1	-	1
16	16	A-PS-1700083-0-0	1700083-10	PWR CORD, TERM. 75IN, 18-3, 250V 6	-	1	-	1	-	1	-	1	-	1	-	1	-
17	17	D-UA-7014653-0-0	7014653-02	KEYBOARD ASSY.	-	-	1	1	-	-	-	-	-	-	-	-	-
18	18		7414213-00	*** THIS ITEM IS NOT USED ***	-	-	-	-	-	-	-	-	-	-	-	-	-
19	19		3613210-01	*** THIS ITEM IS NOT USED ***	-	-	-	-	-	-	-	-	-	-	-	-	-
20	20		3613210-02	*** THIS ITEM IS NOT USED ***	-	-	-	-	-	-	-	-	-	-	-	-	-
21	21		3613211-01	*** THIS ITEM IS NOT USED ***	-	-	-	-	-	-	-	-	-	-	-	-	-
22	22		3700324-00	INSTR PKG DISPLAY VT100	1	1	1	1	1	1	1	1	1	1	1	1	1
23	23	E-UA-VT1XX-AA-0	VT1XX-AA	VT100 20MA CURRENT LOOP OPTION W	REF	REF	REF	REF	REF	REF	REF	REF	REF	REF	REF	REF	REF
24	24	A-PL-VT1XX-AB-0	VT1XX-AB	ADVANCED VIDEO OPTION FOR VT100	REF	REF	REF	REF	REF	REF	REF	REF	REF	REF	REF	REF	REF
25	25		9006659-00	WASHER, FLAT STEEL	1	1	1	1	1	1	1	1	1	1	1	1	1
26	26		9007649-00	*** THIS ITEM IS NOT USED ***	-	-	-	-	-	-	-	-	-	-	-	-	-
27	27		9010112-00	SCREW, WASH HEX SLOT THD RL 6-	1	1	1	1	1	1	1	1	1	1	1	1	1
28	28	E-UA-7014653-0-0	7014653-03	KEYBOARD ASSY.	-	-	-	-	1	1	-	-	-	-	-	-	-
29	29		5413097-00	*** THIS ITEM IS NOT USED ***	-	-	-	-	-	-	-	-	-	-	-	-	-
30	30		9009313-01	SUPPORT, C.BD., FLAME RET., NATURAL	-	-	-	-	4	4	4	4	4	4	4	4	4

REVISION HISTORY			BASIC PART NO: VT100			DRN: B. BLODGETT			DATE: 3-SEP-77			D I G I T A L		
ENG	ECO NUMBER	REV	SECTION A OF C			CHK'D:	D. HEALY		DATE: 24-SEP-77			TITLE		
JS	VT100-ML040	Z	SECTION. VARIATION INDEX			CHK'D:	D. HEALY <td colspan="3">DATE: 24-SEP-77 <td colspan="3">PARTS LIST</td> </td>		DATE: 24-SEP-77 <td colspan="3">PARTS LIST</td>			PARTS LIST		
GB	VT100-ML042	AA	[A] AA, AB, NA, NB, WA, WB,									VT100 UNIT ASSY.		
GB	VT100-ML043	AB	WC, WD, WE, WF, WG, WH											
GB	VT100-ML044	AC	[B] WJ, WK, WY, WZ, LA, LB,			DES. ENG.: E. WEDEKING			DATE: 26-JUN-78					
GB	VT100-ML045	AD	PA, PB, PC, PD, PE, PF											
GB	VT100-ML046	AE	[C] BA, BB, CA, CB, DA, DB									DOCUMENT NUMBER		
GB	VT100-ML047	AF				RESP. ENG.: G. DOUMANI			DATE: 26-JUN-78					
AJ	VT100-ML048	AH	[D]									SIZE CODE NUMBER REV		
GB	VT100-ML049	AJ	[E]			MFG. ENG.: K. HOFFMAN			DATE: 7-JUL-78			K PL VT100-0-DBP AJ		
			[F]			ASSEMBLY NUMBER:			TOP DOCUMENT NUMBER:			FILE NAME: EDIT		
						E-UA-VT100-0-0			B-DD-VT100-0			MLOBAJ.PLS 17		

\*THIS DRAWING AND SPECIFICATIONS HEREIN, ARE THE PROPERTY OF DIGITAL EQUIPMENT CORPORATION AND SHALL NOT BE REPRODUCED OR COPIED OR USED IN WHOLE OR IN PART AS THE BASIS FOR THE MANUFACTURE OR SALE OF ITEMS WITHOUT WRITTEN PERMISSION. COPYRIGHT (C) 1982. DIGITAL EQUIPMENT CORPORATION \*

LINE ITEM	DOCUMENT NUMBER	PART NUMBER	DESCRIPTION	QUANTITY PER VARIATION												
				AA	AB	NA	NB	WA	WB	WC	WD	WE	WF	WG	WH	
31	31	9010135-00	SCREW,TAP HEXWW SLOT THD RL 8-	4	4	4	4	4	4	4	4	4	4	4	4	4
32	32	E-UA-7014653-0-0	7014653-05 KEYBD ASSY FR CANADIAN WP KEYCAP	-	-	-	-	-	-	-	1	1	-	-	-	-
33	33	E-UA-7014653-0-0	7014653-06 KEYBD ASSY FRENCH + WP KEYCAPS	-	-	-	-	-	-	-	-	-	1	1	-	-
34	34	E-UA-7014653-0-0	7014653-07 KEYBD ASSY DUTCH WP KEYCAPS	-	-	-	-	-	-	-	-	-	-	-	1	1
35	35	E-UA-7014653-0-0	7014653-08 *** THIS ITEM IS NOT USED ***	-	-	-	-	-	-	-	-	-	-	-	-	-
36	36	D-UA-5413097-0-0	5413097-03 VT100 ADVANCED VIDEO	-	-	-	-	-	-	-	1	1	1	1	1	1
37	37		5413009-02 *** THIS ITEM IS NOT USED ***	-	-	-	-	-	-	-	-	-	-	-	-	-
38	38		3016080-53 *** THIS ITEM IS NOT USED ***	-	-	-	-	-	-	-	-	-	-	-	-	-
39	39	D-IA-7014974-0-0	7014974-02 *** THIS ITEM IS NOT USED ***	-	-	-	-	-	-	-	-	-	-	-	-	-
40	40	D-UA-7014653-0-0	7014653-10 *** THIS ITEM IS NOT USED ***	-	-	-	-	-	-	-	-	-	-	-	-	-
41	41	D-UA-7014653-0-0	7014653-09 *** THIS ITEM IS NOT USED ***	-	-	-	-	-	-	-	-	-	-	-	-	-
42	42		3616157-00 *** THIS ITEM IS NOT USED ***	-	-	-	-	-	-	-	-	-	-	-	-	-
43	43	B-IA-7423018-0-0	7423018-00 ISOLATION MOUNT.	2	2	2	2	2	2	2	2	2	2	2	2	2
44	44	B-MD-7423006-0-0	7423006-00 SCREW,HEX WASHER HD:4-40	2	2	2	2	2	2	2	2	2	2	2	2	2
45	45		9008193-00 WASHER,FLAT NYLON	2	2	2	2	2	2	2	2	2	2	2	2	2
46	46		7016624-00 *** THIS ITEM IS NOT USED ***	-	-	-	-	-	-	-	-	-	-	-	-	-
47	47	D-IA-7419469-0-0	7419469-00 STOP P.C. CARD	1	1	1	1	1	1	1	1	1	1	1	1	1
48	48		1212405-00 CARD GUIDE,NYLON	2	2	2	2	2	2	2	2	2	2	2	2	2
49	49	A-PS-3617544-0-0	3617544-00 LABEL,X-RAY RADIATION	1	1	1	1	1	1	1	1	1	1	1	1	1
50	50	SEE NOTE	3617674-01 LABEL,SERIAL & POWER W/UL & CSA	1	1	1	1	1	1	1	1	1	1	1	1	1
51	51		9010234-00 CLIP,CONN MTG. ZINCP	4	4	4	4	4	4	4	4	4	4	4	4	4
52	52	E-UA-5413097-0-0	5413097-01 ADVANCE VIDEO LA120	-	-	-	-	1	1	-	-	-	-	-	-	-
53	53	E-IA-7017434-0-DBU	7017434-00 CHASSIS WELDMENT	1	1	1	1	1	1	1	1	1	1	1	1	1
54	54		1217594-00 STANDOFF,PC BOARD MOUNTED	4	4	4	4	4	4	4	4	4	4	4	4	4
55	55		9009964-00 PLUNGER, 5/16 DIA	4	4	4	4	4	4	4	4	4	4	4	4	4
56	56		9009966-01 GROMMET,SNAP-IN POLYCARBONAT	4	4	4	4	4	4	4	4	4	4	4	4	4
57	57		9009624-00 BUMPER,SQUARE ADH BACK RUBBER	1	1	1	1	1	1	1	1	1	1	1	1	1
58	58		1218041-00 BUMPER, W/STEM SBR	1	1	1	1	1	1	1	1	1	1	1	1	1
59	59		9009636-00 CLAMP, CABLE, FOR FLAT CABLE	3	3	3	3	3	3	3	3	3	3	3	3	3
60	60	E-MD-7423954-0-DBU	7423954-00 CARD CAGE	1	1	1	1	1	1	1	1	1	1	1	1	1
61	61	D-UA-5413009-0-0	5413009-03 VT100 BASIC VIDEO	1	1	1	1	1	1	-	-	-	-	-	-	-
62	62	D-IA-7014978-0-0	7014978-03 DC POWER CABLE VT100 FCC	1	1	1	1	1	1	1	1	1	1	1	1	1
63	63		3617880-03 LABEL,FCC CLASS A PERIPHERAL	1	1	1	1	1	1	1	1	1	1	1	1	1
64	64	B-IA-7017970-0-0	7017970-YA CABLE GROUNDING 3.5	1	1	1	1	1	1	1	1	1	1	1	1	1
65	65	D-UA-5413009-0-0	5413009-05 VT100 BASIC VIDEO	-	-	-	-	-	-	-	1	1	1	1	1	1
66	66		9006049-08 SCREW,SEMS HEX SLOT 6-	12	12	12	12	12	12	12	12	12	12	12	12	12
67	67	SEE NOTE	3700324-01 PKG DISPLAY VT100	REF	REF	REF	REF	-	-	-	-	-	-	-	-	-
68	68	SEE NOTE	3700520-00 PKG, H9780-BA CAB	REF	REF	REF	REF	REF	REF	REF	REF	REF	REF	REF	REF	REF
69	69	E-IA-7014980-0-0	7014980-04 BASE, ENCLOSURE ASSY	1	1	1	1	1	1	1	1	1	1	1	1	1
70	70	D-AD-7018349-0-0	7018349-01 MONITOR ASSY, CRT, DIRECT DRIVE	1	1	1	1	1	1	1	1	1	1	1	1	1
71	71	D-AD-7018349-0-0	7018349-05 *** THIS ITEM IS NOT USED ***	-	-	-	-	-	-	-	-	-	-	-	-	-
72	72	E-UA-VT100-0-0	VT100-AA *** THIS ITEM IS NOT USED ***	-	-	-	-	-	-	-	-	-	-	-	-	-
73	73	E-UA-VT100-0-0	VT100-AB *** THIS ITEM IS NOT USED ***	-	-	-	-	-	-	-	-	-	-	-	-	-
74	74		3617905-01 LABEL,WARNING 120V 60HZ	1	-	1	-	1	-	1	-	1	-	1	-	1
75	75		3617905-02 LABEL,WARNING 220-240V50HZ	-	1	-	1	-	1	-	1	-	1	-	1	-

! D ! I ! G ! I ! T ! A ! L !	! T ! I ! T ! L ! E !	! S ! I ! Z ! E !	! C ! O ! D ! E !	! D ! O ! C ! U ! M ! E ! N ! T ! N ! U ! M ! B ! E ! R !	! R ! E ! V !
	VT100 UNIT ASSY.	SECTION A	OF C	K PL VT100-0-DBP	AJ

LINE ITEM	DOCUMENT NUMBER	PART NUMBER	DESCRIPTION	QUANTITY PER VARIATION											
				AA	AB	NA	NB	WA	WB	WC	WD	WE	WF	WG	WH

76 NOTE: ALTERNATE SHIPPING CONTAINERS FOR USE WITH VARIATIONS AS INDICATED  
 77 NOTE: (LABEL, SERIAL NUMBER) 3617674-08 MAYBE USED AS ALTERNATE PART NUMBER TO ITEM #50 (3617674-01)

D	I	G	I	T	A	L	TITLE	VT100 UNIT ASSY.	SECTION A	OF C	SIZE	CODE	DOCUMENT NUMBER	REV
											K	PL	VT100-0-DBP	AJ

LINE	ITEM	DOCUMENT NUMBER	PART NUMBER	DESCRIPTION	QUANTITY PER VARIATION												
					WJ	WK	WY	WZ	LA	LB	PA	PB	PC	PD	PE	PF	
1	1	D-UA-7014653-0-0	7014653-00	KEYBOARD ASSY	-	-	-	-	1	1	-	-	-	-	-	-	-
2	2	E-IA-7014980-0-0	7014980-00	*** THIS ITEM IS NOT USED ***	-	-	-	-	-	-	-	-	-	-	-	-	
3	3	D-IA-7014976-0-0	7014976-00	WORT BOX ASSY	1	1	1	1	1	1	1	1	1	1	1	1	
4	4	D-IA-7014974-0-0	7014974-00	ENCLOSURE, CRT TOP ASSY	1	1	1	1	1	1	-	-	-	-	-	-	
5	5		7014975-00	*** THIS ITEM IS NOT USED ***	-	-	-	-	-	-	-	-	-	-	-	-	
6	6		7014977-00	*** THIS ITEM IS NOT USED ***	-	-	-	-	-	-	-	-	-	-	-	-	
7	7	D-AD-7014979-0-0	7014979-00	POWER SUPPLY ASSY	1	1	1	1	1	1	1	1	1	1	1	1	
8	8		7014978-01	*** THIS ITEM IS NOT USED ***	-	-	-	-	-	-	-	-	-	-	-	-	
9	9		5413009-00	*** THIS ITEM IS NOT USED ***	-	-	-	-	-	-	-	-	-	-	-	-	
10	10		7415336-00	*** THIS ITEM IS NOT USED ***	-	-	-	-	-	-	-	-	-	-	-	-	
11	11		3016080-00	*** THIS ITEM IS NOT USED ***	-	-	-	-	-	-	-	-	-	-	-	-	
12	12		9010007-00	*** THIS ITEM IS NOT USED ***	-	-	-	-	-	-	-	-	-	-	-	-	
13	13		9009967-00	*** THIS ITEM IS NOT USED ***	-	-	-	-	-	-	-	-	-	-	-	-	
14	14		3615680-00	LABEL,ADHESIVE BACK,SWITCH POSIT	1	1	1	1	1	1	1	1	1	1	1	1	
15	15	A-PS-1700083-0-0	1700083-09	PWR CORD,TERM. 75IN,18-3,125V 10	1	-	1	-	1	-	1	-	1	-	1	-	
16	16	A-PS-1700083-0-0	1700083-10	PWR CORD,TERM. 75IN,18-3,250V 6	-	1	-	1	-	1	-	1	-	1	-	1	
17	17	D-UA-7014653-0-0	7014653-02	*** THIS ITEM IS NOT USED ***	-	-	-	-	-	-	-	-	-	-	-	-	
18	18		7414213-00	*** THIS ITEM IS NOT USED ***	-	-	-	-	-	-	-	-	-	-	-	-	
19	19		3613210-01	*** THIS ITEM IS NOT USED ***	-	-	-	-	-	-	-	-	-	-	-	-	
20	20		3613210-02	*** THIS ITEM IS NOT USED ***	-	-	-	-	-	-	-	-	-	-	-	-	
21	21		3613211-01	*** THIS ITEM IS NOT USED ***	-	-	-	-	-	-	-	-	-	-	-	-	
22	22		3700324-00	INSTR PKG DISPLAY VT100	1	1	1	1	1	1	1	1	1	1	1	1	
23	23	E-UA-VT1XX-AA-0	VT1XX-AA	VT100 20MA CURRENT LOOP OPTION W	REF	REF	REF	REF	REF	REF	REF	REF	REF	REF	REF	REF	
24	24	A-PL-VT1XX-AB-0	VT1XX-AB	ADVANCED VIDEO OPTION FOR VT100	-	-	-	-	REF	REF	REF	REF	-	-	-	-	
25	25		9C06659-00	WASHER,FLAT STEEL	1	1	1	1	1	1	1	1	1	1	1	1	
26	26		9007649-00	*** THIS ITEM IS NOT USED ***	-	-	-	-	-	-	-	-	-	-	-	-	
27	27		9010112-00	SCREW,WASH HEX SLOT THD RL 6-	1	1	1	1	1	1	1	1	1	1	1	1	
28	28	E-UA-7014653-0-0	7014653-03	KEYBOARD ASSY.	-	-	1	1	-	-	-	-	-	-	-	-	
29	29		5413097-00	*** THIS ITEM IS NOT USED ***	-	-	-	-	-	-	-	-	-	-	-	-	
30	30		9009313-01	SUPPORT,C.BD.,FLAME RET.,NATURAL	4	4	4	4	-	-	-	-	-	-	-	-	

REVISION HISTORY			BASIC PART NO: VT100		DRN: B. BLODGETT		DATE: 3-SEP-77		D I G I T A L			
ENG	ECO NUMBER	REV	SECTION B OF C	CHK'D:	D. HEALY	DATE:	24-SEP-77	TITLE PARTS LIST				
JD	VT100-ML040	2	SECTION. VARIATION INDEX	CHK'D:	D. HEALY	DATE:	24-SEP-77	VT100 UNIT ASSY.				
GB	VT100-ML042	AA	[A] AA,AB,NA,NB,WA,WB,	DES.ENG.:	E. WEDEKING	DATE:	26-JUN-78	DOCUMENT NUMBER				
GB	VT100-ML043	AB	WC,WD,WE,WF,WG,WH	RESP.ENG.:	G. DOUMANI	DATE:	26-JUN-78	SIZE CODE NUMBER REV				
GB	VT100-ML044	AC	[B] WJ,WK,WY,WZ,LA,LB,	MFG.ENG.:	K. HOFFMAN	DATE:	7-JUL-78	K	PL	VT100-0-DBP	AJ	
GB	VT100-ML045	AD	PA,PB,PC,PD,PE,PF	ASSEMBLY NUMBER:	E-UA-VT100-0-0	TOP DOCUMENT NUMBER:	#B-DD-VT100-0	FILE NAME:		ML09AJ.PLS	EDIT #:	19
GB	VT100-ML046	AE	[C] BA,BB,CA,CB,DA,DB									
GB	VT100-ML047	AF										
AJ	VT100-ML048	AH	[D]									
GB	VT100-ML049	AJ	[E]									
			[F]									

\*THIS DRAWING AND SPECIFICATIONS HEREIN, ARE THE PROPERTY OF DIGITAL EQUIPMENT CORPORATION AND SHALL NOT BE REPRODUCED OR COPIED OR USED IN WHOLE OR IN PART AS THE BASIS FOR THE MANUFACTURE OR SALE OF ITEMS WITHOUT WRITTEN PERMISSION. COPYRIGHT (C) 1982. DIGITAL EQUIPMENT CORPORATION \*

LINE	ITEM	DOCUMENT NUMBER	PART NUMBER	DESCRIPTION	QUANTITY PER VARIATION											
					WJ	WK	WY	WZ	LA	LB	PA	PB	PC	PD	PE	PF
31	31		9010135-00	SCREW,TAP HEXWW SLOT THD RL 8-	4	4	4	4	4	4	4	4	4	4	4	
32	32	E-UA-7014653-0-0	7014653-05	*** THIS ITEM IS NOT USED ***	-	-	-	-	-	-	-	-	-	-	-	
33	33	E-UA-7014653-0-0	7014653-06	*** THIS ITEM IS NOT USED ***	-	-	-	-	-	-	-	-	-	-	-	
34	34	E-UA-7014653-0-0	7014653-07	*** THIS ITEM IS NOT USED ***	-	-	-	-	-	-	-	-	-	-	-	
35	35	E-UA-7014653-0-0	7014653-08	KEYBD ASSY GERMAN WP KEYCAPS	1	1	-	-	-	-	-	-	-	-	-	
36	36	D-UA-5413097-0-0	5413097-03	VT100 ADVANCED VIDEO	1	1	1	1	-	-	-	-	-	-	-	
37	37		5413009-02	*** THIS ITEM IS NOT USED ***	-	-	-	-	-	-	-	-	-	-	-	
38	38		3016080-53	*** THIS ITEM IS NOT USED ***	-	-	-	-	-	-	-	-	-	-	-	
39	39	D-IA-7014974-0-0	7014974-02	ENCLOSURE CRT TOP ASSY W/DK. GRA	-	-	-	-	-	-	1	1	1	1	1	
40	40	D-UA-7014653-0-0	7014653-10	KEYBD ENCLOSURE ASSY NO KEYBD	-	-	-	-	-	-	-	-	-	-	1	
41	41	D-UA-7014653-0-0	7014653-09	KEYBD/KEYCAP ASSY DARK GRAY	-	-	-	-	-	-	1	1	1	1	-	
42	42		3616157-00	*** THIS ITEM IS NOT USED ***	-	-	-	-	-	-	-	-	-	-	-	
43	43	B-IA-7423018-0-0	7423018-00	ISOLATION MOUNT.	2	2	2	2	2	2	2	2	2	2	2	
44	44	B-MD-7423006-0-0	7423006-00	SCREW,HEX WASHER HD,4-40	2	2	2	2	2	2	2	2	2	2	2	
45	45		9008193-00	WASHER,FLAT NYLON	2	2	2	2	2	2	2	2	2	2	2	
46	46		7016624-00	*** THIS ITEM IS NOT USED ***	-	-	-	-	-	-	-	-	-	-	-	
47	47	D-IA-7419469-0-0	7419469-00	STOP P.C. CARD	1	1	1	1	1	1	1	1	1	1	1	
48	48		1212405-00	CARD GUIDE,NYLON	2	2	2	2	2	2	2	2	2	2	2	
49	49	A-PS-3617544-0-0	3617544-00	LABEL,X-RAY RADIATION	1	1	1	1	1	1	1	1	1	1	1	
50	50	SEE NOTE	3617674-01	LABEL,SERIAL & POWER W/UL & CSA	1	1	1	1	1	1	1	1	1	1	1	
51	51		9010234-00	CLIP,CONN MTG. ZINCP	4	4	4	4	4	4	4	4	4	4	4	
52	52	E-UA-5413097-0-0	5413097-01	*** THIS ITEM IS NOT USED ***	-	-	-	-	-	-	-	-	-	-	-	
53	53	E-IA-7017434-0-DBU	7017434-00	CHASSIS WELDMENT	1	1	1	1	1	1	1	1	1	1	1	
54	54		1217594-00	STANDOFF,PC BOARD MOUNTED	4	4	4	4	4	4	4	4	4	4	4	
55	55		9009964-00	PLUNGER, 5/16 DIA	4	4	4	4	4	4	4	4	4	4	4	
56	56		9009966-01	GROMMET,SNAP-IN POLYCAPBONAT	4	4	4	4	4	4	4	4	4	4	4	
57	57		9009624-00	BUMPER,SQUARE ADH BACK RUBBER	1	1	1	1	1	1	1	1	1	1	1	
58	58		1218041-00	BUMPER, W/STEM SBR	1	1	1	1	1	1	1	1	1	1	1	
59	59		9009636-00	CLAMP, CABLE, FOR FLAT CABLE	3	3	3	3	3	3	3	3	3	3	3	
60	60	E-MD-7423954-0-DBU	7423954-00	CARD CAGE	1	1	1	1	1	1	1	1	1	1	1	
61	61	D-UA-5413009-0-0	5413009-03	VT100 BASIC VIDEO	-	-	-	-	1	1	1	1	-	-	-	
62	62	D-IA-7014978-0-0	7014978-03	DC POWER CABLE VT100 FCC	1	1	1	1	1	1	1	1	1	1	1	
63	63		3617880-03	LABEL,FCC CLASS A PERIPHERAL	1	1	1	1	1	1	1	1	-	1	1	
64	64	B-IA-7017970-0-0	7017970-Y	CABLE GROUNDING 3..	1	1	1	1	1	1	1	1	-	-	-	
65	65	D-UA-5413009-0-0	5413009-05	VT100 BASIC VIDEO	1	1	1	1	-	-	-	-	-	-	-	
66	66		9000049-06	SCREW,SEMS HEX SLOT 6-	12	12	12	12	12	12	12	12	12	12	12	
67	67	SEE NOTE	3700324-01	*** THIS ITEM IS NOT USED ***	-	-	-	-	-	-	-	-	-	-	-	
68	68	SEE NOTE	3700520-00	PKG. H9780-BA CAB	REF	REF	REF	REF	REF	REF	REF	REF	REF	REF	REF	
69	69	E-IA-7014980-0-0	7014980-04	BASE, ENCLOSURE ASSY	1	1	1	1	1	1	1	1	1	1	1	
70	70	D-AD-7018349-0-0	7018349-01	MONITOR ASSY, CRT, DIRECT DRIVE	1	1	1	1	-	-	1	1	1	1	1	
71	71	D-AD-7018349-0-0	7018349-05	MONITOR ASSY, CRT, DIRECT DRIVE	-	-	-	-	1	1	-	-	-	-	-	
72	72	E-UA-VT100-0-0	VT100-AA	*** THIS ITEM IS NOT USED ***	-	-	-	-	-	-	-	-	-	-	-	
73	73	E-UA-VT100-0-0	VT100-AB	*** THIS ITEM IS NOT USED ***	-	-	-	-	-	-	-	-	-	-	-	
74	74		3617905-01	LABEL,WARNING 120V 60HZ	1	-	1	-	1	-	1	-	1	-	1	
75	75		3617905-02	LABEL,WARNING 220-240V50HZ	-	1	-	1	-	1	-	1	-	1	-	

! D ! I ! G ! I ! T ! A ! L !	! TITLE	! SECTION B OF C	! SIZE ! CODE !	! DOCUMENT NUMBER	! REV !
! ! ! ! ! ! ! !	VT100 UNIT ASSY.	! ! ! ! ! ! ! !	! ! ! ! ! ! ! !	VT100-0-DBP	! AJ !

ML3

LINE ITEM DOCUMENT NUMBER

PART NUMBER

DESCRIPTION

QUANTITY PER VARIATION

WJ WK WY WZ LA LB PA P3 PC PD PE PF

76 NOTE: ALTERNATE SHIPPING CONTAINERS FOR USE WITH VARIATIONS AS INDICATED

77 NOTE: (LABEL, SERIAL NUMBER) 3617674-08 MAYBE USED AS ALTERNATE PART NUMBER TO ITEM #50 (3617674-01)

D	I	G	I	T	A	L	TITLE	VT100 UNIT ASSY.	SECTION B OF C	SIZE	CODE	DOCUMENT NUMBER	REV
										K	PL	VT100-0-DBP	AJ

LINE ITEM	DOCUMENT NUMBER	PART NUMBER	DESCRIPTION	QUANTITY PER VARIATION						
				BA	BB	CA	CB	DA	DB	
1	1	D-UA-7014653-0-0	7014653-00	*** THIS ITEM IS NOT USED ***	-	-	-	-	-	-
2	2	E-IA-7014980-0-0	7014980-00	*** THIS ITEM IS NOT USED ***	-	-	-	-	-	-
3	3	D-IA-7014976-0-0	7014976-00	*** THIS ITEM IS NOT USED ***	-	-	-	-	-	-
4	4	D-IA-7014974-0-0	7014974-00	*** THIS ITEM IS NOT USED ***	-	-	-	-	-	-
5	5		7014975-00	*** THIS ITEM IS NOT USED ***	-	-	-	-	-	-
6	6		7014977-00	*** THIS ITEM IS NOT USED ***	-	-	-	-	-	-
7	7	D-AD-7014979-0-0	7014979-00	*** THIS ITEM IS NOT USED ***	-	-	-	-	-	-
8	8		7014978-01	*** THIS ITEM IS NOT USED ***	-	-	-	-	-	-
9	9		5413009-00	*** THIS ITEM IS NOT USED ***	-	-	-	-	-	-
10	10		7419836-00	*** THIS ITEM IS NOT USED ***	-	-	-	-	-	-
11	11		3016080-00	*** THIS ITEM IS NOT USED ***	-	-	-	-	-	-
12	12		9010007-00	*** THIS ITEM IS NOT USED ***	-	-	-	-	-	-
13	13		9009967-00	*** THIS ITEM IS NOT USED ***	-	-	-	-	-	-
14	14		3615680-00	*** THIS ITEM IS NOT USED ***	-	-	-	-	-	-
15	15	A-PS-1700083-0-0	1700083-09	*** THIS ITEM IS NOT USED ***	-	-	-	-	-	-
16	16	A-PS-1700083-0-C	1700083-10	*** THIS ITEM IS NOT USED ***	-	-	-	-	-	-
17	17	D-UA-7014653-0-0	7014653-02	*** THIS ITEM IS NOT USED ***	-	-	-	-	-	-
18	18		7414213-00	*** THIS ITEM IS NOT USED ***	-	-	-	-	-	-
19	19		3613210-01	*** THIS ITEM IS NOT USED ***	-	-	-	-	-	-
20	20		3613210-02	*** THIS ITEM IS NOT USED ***	-	-	-	-	-	-
21	21		3613211-01	*** THIS ITEM IS NOT USED ***	-	-	-	-	-	-
22	22		3700324-00	*** THIS ITEM IS NOT USED ***	-	-	-	-	-	-
23	23	E-UA-VT1XX-AA-0	VT1XX-AA	*** THIS ITEM IS NOT USED ***	-	-	-	-	-	-
24	24	A-PL-VT1XX-AB-0	VT1XX-AB	*** THIS ITEM IS NOT USED ***	-	-	-	-	-	-
25	25		9006659-00	*** THIS ITEM IS NOT USED ***	-	-	-	-	-	-
26	26		9007649-00	*** THIS ITEM IS NOT USED ***	-	-	-	-	-	-
27	27		9010112-00	*** THIS ITEM IS NOT USED ***	-	-	-	-	-	-
28	28	E-UA-7014653-0-0	7014653-03	*** THIS ITEM IS NOT USED ***	-	-	-	-	-	-
29	29		5413097-00	*** THIS ITEM IS NOT USED ***	-	-	-	-	-	-
30	30		9009313-01	*** THIS ITEM IS NOT USED ***	-	-	-	-	-	-

REVISION HISTORY			BASIC PART NO: VT100		DRN: B. BLODGETT		DATE: 3-SEP-77		DIGITAL	
ENG	ECO NUMBER	REV	SECTION C OF C	CHK'D: D. HEALY		DATE: 24-SEP-77		TITLE PARTS LIST		
JD	VT100-ML040	Z	SECTION. VARIATION INDEX	DES.ENG.: E. WEDEKING		DATE: 26-JUN-78		DOCUMENT NUMBER		
GB	VT100-ML042	AA	[A] AA,AB,NA,NB,WA,WB	RESF.ENG.: G. DOUMANI		DATE: 26-JUN-78		SIZE CODE NUMBER REV		
GB	VT100-ML043	AB	WC,WD,WE,WF,WG,WH	MFG.ENG.: K. HOFFMAN		DATE: 7-JUL-78		K PL VT100-0-DBP AJ		
GB	VT100-ML044	AC	[B] HJ,WK,WY,WZ,LA,LB	ASSEMBLY NUMBER:		TOP DOCUMENT NUMBER:		FILE NAME: EDIT		
GB	VT100-ML045	AD	PA,PB,PC,PD,PE,PF	E-UA-VT100-0-0		#B-DD-VT100-0		MLOBAJ.PLS 19		
GB	VT100-ML046	AE	[C] BA,BB,CA,CB,DA,DB							
GB	VT100-ML047	AF								
AJ	VT100-ML043	AH	[D]							
GB	VT100-ML049	AJ	[E]							
			[F]							

\* THIS DRAWING AND SPECIFICATIONS HEREIN, ARE THE PROPERTY OF DIGITAL EQUIPMENT CORPORATION AND SHALL NOT BE REPRODUCED OR COPIED OR USED IN WHOLE OR IN PART AS THE BASIS FOR THE MANUFACTURE OR SALE OF ITEMS WITHOUT WRITTEN PERMISSION. COPYRIGHT (C) 1982, DIGITAL EQUIPMENT CORPORATION \*



LINE ITEM	DOCUMENT NUMBER	PART NUMBER	DESCRIPTION	QUANTITY PER VARIATION					
				BA	BB	CA	CB	DA	DB
31	31	9010135-00	*** THIS ITEM IS NOT USED ***	-	-	-	-	-	-
32	32	E-UA-7014653-0-0	7014653-05 *** THIS ITEM IS NOT USED ***	-	-	-	-	-	-
33	33	E-UA-7014653-0-0	7014653-06 *** THIS ITEM IS NOT USED ***	-	-	-	-	-	-
34	34	E-UA-7014653-0-0	7014653-07 *** THIS ITEM IS NOT USED ***	-	-	-	-	-	-
35	35	E-UA-7014653-0-0	7014653-08 *** THIS ITEM IS NOT USED ***	-	-	-	-	-	-
36	36	D-UA-5413097-0-0	5413097-03 *** THIS ITEM IS NOT USED ***	-	-	-	-	-	-
37	37		5413009-02 *** THIS ITEM IS NOT USED ***	-	-	-	-	-	-
38	38		3616080-53 *** THIS ITEM IS NOT USED ***	-	-	-	-	-	-
39	39	D-IA-7014974-0-C	7014974-02 *** THIS ITEM IS NOT USED ***	-	-	-	-	-	-
40	40	D-UA-7014653-0-0	7014653-10 *** THIS ITEM IS NOT USED ***	-	-	-	-	-	-
41	41	D-UA-7014653-0-0	7014653-09 *** THIS ITEM IS NOT USED ***	-	-	-	-	-	-
42	42		3616157-00 *** THIS ITEM IS NOT USED ***	-	-	-	-	-	-
43	43	B-IA-7423018-0-0	7423018-00 *** THIS ITEM IS NOT USED ***	-	-	-	-	-	-
44	44	B-MD-7423006-0-0	7423006-00 *** THIS ITEM IS NOT USED ***	-	-	-	-	-	-
45	45		9008193-00 *** THIS ITEM IS NOT USED ***	-	-	-	-	-	-
46	46		7016624-00 *** THIS ITEM IS NOT USED ***	-	-	-	-	-	-
47	47	D-IA-7419469 0-0	7419469-00 *** THIS ITEM IS NOT USED ***	-	-	-	-	-	-
48	48		1212405-00 *** THIS ITEM IS NOT USED ***	-	-	-	-	-	-
49	49	A-PS-3617544-0-0	3617544-00 *** THIS ITEM IS NOT USED ***	-	-	-	-	-	-
50	50	SEE NOTE	3617674-01 *** THIS ITEM IS NOT USED ***	-	-	-	-	-	-
51	51		9010234-00 *** THIS ITEM IS NOT USED ***	-	-	-	-	-	-
52	52	E-UA-5413097-0-0	5413097-01 *** THIS ITEM IS NOT USED ***	-	-	-	-	-	-
53	53	E-IA-7017434-0-DBU	7017434-00 *** THIS ITEM IS NOT USED ***	-	-	-	-	-	-
54	54		1217594-00 *** THIS ITEM IS NOT USED ***	-	-	-	-	-	-
55	55		9009964-00 *** THIS ITEM IS NOT USED ***	-	-	-	-	-	-
56	56		9009966-01 *** THIS ITEM IS NOT USED ***	-	-	-	-	-	-
57	57		9009624-00 *** THIS ITEM IS NOT USED ***	-	-	-	-	-	-
58	58		1218041-00 *** THIS ITEM IS NOT USED ***	-	-	-	-	-	-
59	59		9009636-00 *** THIS ITEM IS NOT USED ***	-	-	-	-	-	-
60	60	E-MD-7423954-0-DBU	7423954-00 *** THIS ITEM IS NOT USED ***	-	-	-	-	-	-
61	61	D-UA-5413009-0-0	5413009-03 *** THIS ITEM IS NOT USED ***	-	-	-	-	-	-
62	62	D-IA-7014978-0-0	7014978-03 *** THIS ITEM IS NOT USED ***	-	-	-	-	-	-
63	63		3617880-03 *** THIS ITEM IS NOT USED ***	-	-	-	-	-	-
64	64	B-IA-7017970-0-0	7017970-YA *** THIS ITEM IS NOT USED ***	-	-	-	-	-	-
65	65	D-UA-5413009-0-0	5413009-05 *** THIS ITEM IS NOT USED ***	-	-	-	-	-	-
66	66		9000049-08 *** THIS ITEM IS NOT USED ***	-	-	-	-	-	-
67	67	SEE NOTE	3700324-01 *** THIS ITEM IS NOT USED ***	-	-	-	-	-	-
68	68	SEE NOTE	3700520-00 *** THIS ITEM IS NOT USED ***	-	-	-	-	-	-
69	69	E-IA-7014980-0-0	7014980-04 *** THIS ITEM IS NOT USED ***	-	-	-	-	-	-
70	70	D-AD-7018349-0-0	7018349-01 *** THIS ITEM IS NOT USED ***	-	-	-	-	-	-
71	71	D-AD-7018349-0-0	7018349-05 *** THIS ITEM IS NOT USED ***	-	-	-	-	-	-
72	72	E-UA-VT100-0-0	VT100-AA VT100-A W 120V USA LINE CORD 170	4	-	6	-	16	-
73	73	E-UA-VT100-0-0	VT100-AB VT100-A W 240V USA LINE CORD 170	-	4	-	8	-	16
74	74		3617905-01 *** THIS ITEM IS NOT USED ***	-	-	-	-	-	-
75	75		3617905-02 *** THIS ITEM IS NOT USED ***	-	-	-	-	-	-

D I G I T A L		TITLE	VT100 UNIT ASSY.	SECTION C OF C	SIZE	CODE	DOCUMENT NUMBER	REV
					K	PL	VT100-0-DBP	AJ

LINE ITEM	DOCUMENT NUMBER	PART NUMBER	DESCRIPTION	QUANTITY PER VARIATION					
				BA	BB	CA	CB	DA	DB

76 NOTE: ALTERNATE SHIPPING CONTAINERS FOR USE WITH VARIATIONS AS INDICATED  
 77 NOTE: (LABEL, SERIAL NUMBER) 3617674-08 MAYBE USED AS ALTERNATE PART NUMBER TO ITEM #50 (3617674-01)

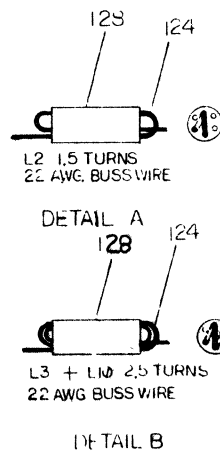
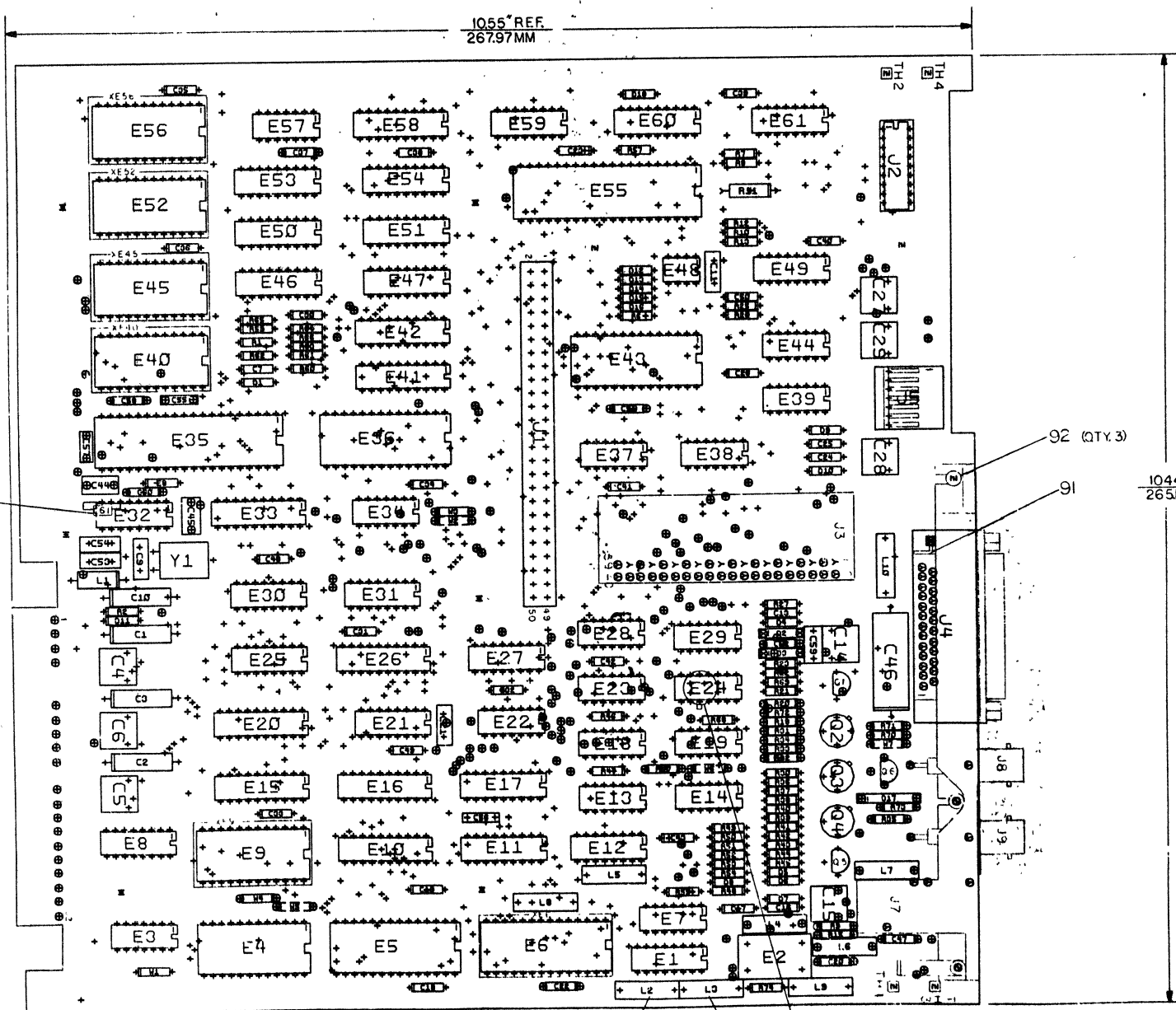
D	I	G	I	T	A	L	TITLE		SECTION C OF C	SIZE	CODE	DOCUMENT NUMBER	REV
							VT100 UNIT ASSY.			K	PL	VT100-0-DBP	AJ

### REWORK INSTRUCTIONS

1. ADD A CAPACITOR C61 (ITEM 125) FROM E32 PIN 6 TO E32 PIN 8

1055 REF.  
267.97 MM

1044 REF.  
265.18 MM



SEE DETAIL A AND NOTE 3      SEE DETAIL B AND NOTE 3      SEE NOTE 1

NOTES: E24 (ITEM 8) CAN BE EITHER THE 14 PIN DIP OR THE 8 PIN ROUND TOB.  
2. W5, W6, D18, R59, C48, D17, R2, R69, C52, H70, R73 AND Q6 ARE FOR FUTURE USE.  
3. ENSURE THAT L2, L3 AND Q65 ARE TOWARD E1 TO PREVENT INTERFERENCE WITH CAMD.

REV	DATE	BY	CHKD	DESCRIPTION
1				
2				
3				
4				
5				
6				
7				
8				
9				
10				

STEP	DESCRIPTION	STOP	THRU
1	DRILL	1	1
2	PLATE	1	1
3	ETCH	1	1
4	DRILL	1	1
5	PLATE	1	1
6	ETCH	1	1
7	DRILL	1	1
8	PLATE	1	1
9	ETCH	1	1
10	DRILL	1	1
11	PLATE	1	1
12	ETCH	1	1
13	DRILL	1	1
14	PLATE	1	1
15	ETCH	1	1
16	DRILL	1	1
17	PLATE	1	1
18	ETCH	1	1
19	DRILL	1	1
20	PLATE	1	1
21	ETCH	1	1
22	DRILL	1	1
23	PLATE	1	1
24	ETCH	1	1
25	DRILL	1	1
26	PLATE	1	1
27	ETCH	1	1
28	DRILL	1	1
29	PLATE	1	1
30	ETCH	1	1
31	DRILL	1	1
32	PLATE	1	1
33	ETCH	1	1
34	DRILL	1	1
35	PLATE	1	1
36	ETCH	1	1
37	DRILL	1	1
38	PLATE	1	1
39	ETCH	1	1
40	DRILL	1	1
41	PLATE	1	1
42	ETCH	1	1
43	DRILL	1	1
44	PLATE	1	1
45	ETCH	1	1
46	DRILL	1	1
47	PLATE	1	1
48	ETCH	1	1
49	DRILL	1	1
50	PLATE	1	1
51	ETCH	1	1
52	DRILL	1	1
53	PLATE	1	1
54	ETCH	1	1
55	DRILL	1	1
56	PLATE	1	1
57	ETCH	1	1
58	DRILL	1	1
59	PLATE	1	1
60	ETCH	1	1
61	DRILL	1	1
62	PLATE	1	1
63	ETCH	1	1
64	DRILL	1	1
65	PLATE	1	1
66	ETCH	1	1
67	DRILL	1	1
68	PLATE	1	1
69	ETCH	1	1
70	DRILL	1	1
71	PLATE	1	1
72	ETCH	1	1
73	DRILL	1	1
74	PLATE	1	1
75	ETCH	1	1
76	DRILL	1	1
77	PLATE	1	1
78	ETCH	1	1
79	DRILL	1	1
80	PLATE	1	1
81	ETCH	1	1
82	DRILL	1	1
83	PLATE	1	1
84	ETCH	1	1
85	DRILL	1	1
86	PLATE	1	1
87	ETCH	1	1
88	DRILL	1	1
89	PLATE	1	1
90	ETCH	1	1
91	DRILL	1	1
92	PLATE	1	1
93	ETCH	1	1
94	DRILL	1	1
95	PLATE	1	1
96	ETCH	1	1
97	DRILL	1	1
98	PLATE	1	1
99	ETCH	1	1
100	DRILL	1	1

REV	DATE	BY	CHKD	DESCRIPTION
1				
2				
3				
4				
5				
6				
7				
8				
9				
10				

SIGNATURES	DATE
DRN	
CHK'D	
PROJ. ENG. R. P. C.	
PROD. C. P. C.	
SCALE 2:1	
SH: 1 OF 1	
NEXT HYPER 257A, E-60-5413009-0	

digital  
TITLE V1100  
BASIC VIDEO  
PART NUMBER  
10A5413009-0-01W

LINE	ITEM	DOCUMENT NUMBER	PART NUMBER	DESCRIPTION	QTY PER VARIATION				REFERENCE DESIGNATOR
					03	04	05	99	
1	1	D-MD-5013008-0-0	5013008-00	VT100 BASIC VIDE0	1	1	1	1	
2	2		1000005-00	6.8 MMF 100V 5%200PPM MICA	1	1	1	1	C9
3	3		1000014-00	68.0 MMF 100V 5%200PPM MICA	1	1	1	1	C11
4	4		1000016-00	100.0 MMF 100V 5%200PPM MICA	2	2	2	2	C21,C54
5	5		1000076-00	39 MFD 10V 10% S.TANT	1	1	1	1	C10
6	7		1017472-00	10 MFD 35V 150-10% AL EL	3	3	3	3	C1,C2,C3
7	8		1010274-01	.22 MFD 50V 180-20% Z5U CER	13	13	13	13	C4-C6,C14,C15,C27-C29,C44,C45, CONT C55,C56,C59
8	9		1012784-00	.047 MFD 50V 180-20% CER	25	25	25	25	C7,C8,C13,C18,C19,C22,C24,C25, CONT C30-C43,C48-C50
9	10		1013466-12	2200.0 MMF 50V 10% X7R CER	1	1	1	1	C26
10	11		1100114-00	D 664 OS\75PCB PIV= 25V SP	11	11	11	11	D4-D8,D11-D16
11	12		1105796-C0	1N 4004 PIV=400 I= 1A D041 SP	2	2	2	2	D9,D10
12	13		1109502-03	1N 4742A VZ= 12.0 5% 1W	1	1	1	1	D3
13	14		1110994-00	1N 751A VZ= 5.1 5% .40W	1	1	1	1	D1
14	15		1114974-00	1N 4741A VZ= 11.0 5% 1W	1	1	1	1	D2
15	16		1215006-06	SKT,IC 24PIN DIP 1IN GOLD	5	5	5	5	XE9,XE40,XE45,XE52,XE56
16	17		1211666-00	SKT,IC 18PIN DIP GOLD	1	1	1	1	J2
17	18		1214063-01	PCB,HEADER 50POS(2X20).150CC STR	1	1	1	1	J1
18	19		1214828-00	CONN, 25POS RCPT	1	1	1	1	J4
19	20		1214829-00	CARD EDGE 40PIN(2X20).125CC 90D	1	1	1	1	J3
20	21		1215048-01	PCB,HEADER 05PIN(1X07).098CC 90D	1	1	1	1	J5
21	22		1300005-07	R NETWORK 15-4.7K 5.0 % 16PIN	3	3	3	3	F8,F12,E59
22	23		1300219-00	68.0 .25 W 5.0 % CC	1	1	1	1	R40
23	24		1300229-00	100.0 .25 W 5.0 % CC	1	1	1	1	R34
24	25		1300250-00	150.0 .25 W 5.0 % CC	2	2	2	-	R51,R74
			CONT		-	-	-	-	R51,R68,R74
25	26		1300271-00	220.0 .25 W 5.0 % CC	1	1	1	1	R41
26	27		1300295-00	330.0 .25 W 3.0 % CC	3	3	3	3	R1,R16,R47
27	28		1300315-00	470.0 .50 W 5.0 % CC	1	1	1	1	R11

REVISION HISTORY			BASIC PART NO: 5413009			DRN: T. SHETRAWSKI DATE: 30-MAR-78			D I G I T A L								
ENG	ECD NUMBER	REV	SECTION A OF A			CHK'D:	T. SHETRAWSKI	DATE:	11-MAR-78	TITLE PARTS LIST							
IRP	ML012	R	SECTION.VARIATION INDEX			CHK'D:	T. SHETRAWSKI	DATE:	11-MAR-78	TITLE PARTS LIST							
CJ	5413009-ML013	S	[A]	03,04,05,99					VT100 BASIC VIDE0								
IRP	5413009-ML014	T	[B]														
IRP	5413009-ML015	U	[C]														
IRP	5413009-ML016	V	[D]														
DP	5413009-ML017	W	[E]														
DP	5413009-ML018	Y	[F]						DOCUMENT NUMBER								
JD	5413009-ML019	Z	[H]														
IRP	5413009-ML020	AA	[J]														
NW	5413009-ML021	AB	[K]														
IRP	5413009-ML023	AC	[L]														
BE	5413009-ML025	AD	[M]														
			[N]														
ASSEMBLY NUMBER:						E-UA-5413009-0-0			TOP DOCUMENT NUMBER:			B-DD-5413009-0-0					
									FILE NAME:			ML01AD.PLS					
												EDIT #:			26		

\*THIS DRAWING AND SPECIFICATIONS HEREIN, ARE THE PROPERTY OF DIGITAL EQUIPMENT CORPORATION AND SHALL NOT BE REPRODUCED OR COPIED OR USED IN WHOLE OR IN PART AS THE BASIS FOR THE MANUFACTURE OR SALE OF ITEMS WITHOUT WRITTEN PERMISSION. COPYRIGHT (C) 1982. DIGITAL EQUIPMENT CORPORATION \*

LINE	ITEM	DOCUMENT NUMBER	PART NUMBER	DESCRIPTION	QTY PER VARIATION				REFERENCE DESIGNATOR	
					03	04	05	99		
28	29		1300316-00	470.0					R21	
29	30		1300365-00	1.0 K	.25 W 5.0 %	CC	1	1	1	R36,R67
30	31		1300398-00	1.80 K	.25 W 5.0 %	CC	2	2	2	R31
31	32		1300417-00	2.20 K	.25 W 5.0 %	CC	1	1	1	R18,R20,R22,R23,R27
32	33		1300426-00	2.70 K	.25 W 5.0 %	CC	5	5	5	R7
33	34		1300447-00	4.70 K	.25 W 5.0 %	CC	1	1	1	R25
34	35		1300479-00	10.0 K	.25 W 5.0 %	CC	1	1	1	R2,R6,R12,R26
35	36		1301317-00	10.0	.25 W 5.0 %	CC	4	4	4	R57
36	37		1301422-00	7.50 K	.25 W 5.0 %	CC	1	1	1	R59-R66
37	38		1301424-00	680.0	.25 W 5.0 %	CC	8	8	8	R37
38	39		1301425-00	300.0	.25 W 5.0 %	CC	1	1	1	R50
39	40		1301475-00	1.10 K	.25 W 5.0 %	CC	1	1	1	R32
40	42		1301874-00	5.60 K	.25 W 5.0 %	CC	1	1	1	R9
41	43		1301972-00	270.0	.25 W 5.0 %	CC	1	1	1	R38
42	44		1302379-00	75.0	.25 W 5.0 %	CC	1	1	1	R35,R45,R52,R54,R68
			CONT				-	-	-	R35,R45,R52,R54,
43	45		1302391-00	20.0 K	.25 W 5.0 %	CC	4	4	4	R43,R48
44	47		1303178-00	620.0	.25 W 5.0 %	CC	2	2	2	R49
45	48		1303187-00	820.0 K	.25 W 5.0 %	CC	1	1	1	R8
46	49		1304833-00	1.96 K	.25 W 1.0 %	RM550-F10	1	1	1	R15
47	51		1313580-00	360.0	.25 W 5.0 %	CC	1	1	1	R39
48	52		1314673-00	36.0	.25 W 5.0 %	CC	1	1	1	R53
49	53		1501913-00	2N 2904A	PNP 600MW SI 60 40 Y		3	3	3	Q2,Q3,Q4
50	54		1503409-00	DEC6534D	PNP 310MW SI 40 90		1	1	1	Q1
51	55		1509524-00	2N 3-04	NPN 310MW SI 40 40 M		1	1	1	Q5
52	56		1810694-06	XTAL 24.8832	KHZ		1	1	1	Y1
53	57		1814830-00	OSCILLATOR,	XTAL 24.073 KHZ		1	1	1	E2
54	58		1909686-00	7404	INVERTER GATE-HEX 1I		1	1	1	E38
55	59		1909928-00	7416	INVERTER GATE-HFX 1I		2	2	2	E14,E18
56	60		1909929-00	7417	BUFFER GATE-HEX 1IHP		1	1	1	E29
57	61		1910236-00	DEC 7426	NAND GATE-QUAD 2IN,0		1	1	1	E7
58	62		1910322-00	DEC 1488L	DRIVER,LINE,QUAD,E1		1	1	1	E39
59	63		1912847-00	LS157	MUX 1 OF 2(QUAD)		1	1	1	E1
60	64		1912697-00	LS174	FF-D HEX W/CLEAR		2	2	2	E49,E61
61	65		1912799-00	LS00	NAND-GATE-QUAD 2IN,P		2	2	2	E23,E34
62	66		1912803-00	LS04	INVERTER GATE,HFX		1	1	1	E19
63	67		1912815-00	LS30	NAND GATE SINGLE 8IN		1	1	1	E3
64	68		1912818-00	LS38	NAND BUFFER-QUAD 2IN		1	1	1	E28
65	69		1912824-00	LS74	FF-D DUAL,EDGE TRIGG		2	2	2	E13,E22
66	70		1912842-00	LS13P	DECODER-THREE INPUT,		1	1	1	E27
67	71		1912843-00	LS139	DECODER, 2 OF 4(DUAL		1	1	1	E31
68	72		1912854-00	LS193	COUNTER,SYNCHR,4BIT,		3	3	3	E21,E25,E30
69	73		1912863-00	LS273	FF-D OCTAL W/CLEAR		2	2	2	E16,E20
70	74		1913105-00	PB 8224C	DRIVER/SEN CLOCK F		1	1	1	E32
71	75		1913109-00	8228	BUFFER,DATA BASE FOR		1	1	1	E36
72	76		1913130-00	DEC 1489A	RECEIVER,LINE,QUAD,		2	2	2	E37,E44
73	77		1914084-00	74S299	SHIFT REG.,8BIT RIGH		1	1	1	E10
74	78		1914156-00	LM 393	VOLT.COMPARATOR DUAL		1	1	1	E48

D I G I T A L				TITLE	SECTION A OF A				SIZE	CODE	DOCUMENT NUMBER	REV
				VT100 BASIC VIDEO					K	PL	5413009-0-DBP	AD

LINE	ITEM	DOCUMENT NUMBER	PART NUMBER	DESCRIPTION	QTY PER VARIATION				REFERENCE DESIGNATOR
					03	04	05	99	
75	79		1914213-00	81LS97 BUFFER GATE-OCTAL 2I	4	4	4	4	E15,E41,E42,E58
76	80		1914214-00	LS374 FF-D OCTAL EDGE TRIG	2	2	2	2	E26,E33
77	81		1914423-01	CUSTOM LSI-RIPOLAR LS	1	1	1	1	E6
78	82		1914424-01	CUSTOM LSI-RIPOLAR L	1	1	1	1	E5
79	83		2112623-02	*** THIS ITEM IS NOT USED ***	-	-	-	-	
80	84		2113106-01	1K MOS RAM 250NS	2	2	2	2	E11,E17
81	85		2113107-01	P 8251A PUSART COMH. INTERFA	1	1	1	1	E43
82	86		2113108-01	8080A-1 MICROPROCESSOR UNIT	1	1	1	1	E35
83	87		2113937-00	UART 125K BUAD	1	1	1	1	E55
84	88		2114212-00	P 2114-2 RAM,1024X4,STATIC	6	6	6	6	E46,E47,E50,E51,E53,E54
85	89		2114524-01	ROM 100X14BIT,FRASABLE,	1	1	1	1	E24
86	90		23018E2-00	E2-03	1	1	1	1	E4
87	91		7424901-01	BRACKET,GROUNDING,EIA CONNECTOR	1	1	1	1	
88	92		9006732-00	EYELET,ROLLED 0.1210DX0.219	3	3	3	3	
89	93		9009185-00	JUMPER, WIRE, INSULATED, BLACK B	4	4	4	4	W1,W3,W4,W7
90	95		23061E2-00	E2-02	1	-	-	-	E56
91	96		23032E2-00	E2-02	1	-	-	-	E52
92	97		23033E2-00	E2-02	1	-	-	-	E45
93	98		23034E2-00	E2-02	1	-	-	-	E40
94	102		1001610-00	.01 MFD 50V +80-20% Z5U CER	4	4	4	4	C16,C17,C23,C51
95	103		1301320-00	1.20 K .25 W 5.0 % CC	1	1	1	1	R30
96	104		1301322-00	180.0 .25 W 5.0 % CC	1	1	1	1	R33
97	105		1301477-00	82.0 .25 W 5.0 % CC	1	1	1	1	R42
98	106		1300202-00	47.0 .25 W 5.0 % CC	1	1	1	1	R44
99	107		1303155-00	21.50 K .25 W 1.0 % RN55D-F10	1	1	1	1	R10
100	108		1309412-00	18.00 K .25 W 1.0 % RN55D-F10	1	1	1	1	R13
101	109		1609620-00	2.2 UH #RFCS2.2	1	1	1	1	L1
102	110		1002608-00	18.0 MMF 100V 55200PPM MICA	1	1	1	1	C53
103	112		1013466-05	56.0 MMF 50V 5% CER	1	1	1	1	C47
104	113		23180E2-00	E2-02	-	1	1	-	E56
105	114		23181E2-00	E2-02	-	1	1	-	E52
106	115		23182E2-00	E2-02	-	1	1	-	E45
107	116		23183E2-00	E2-02	-	1	1	-	E40
108	117		1215006-07	SKT,IC 28PIN DIP TIN SOLD	1	1	1	1	XE6
109	118		23094E2-00	E2-03,E2-04	-	-	1	-	E9
110	119	A-SP-3700553-0-0	3700553-00	PKG MODULE 5413009	REF	REF	REF	REF	
111	120	A-SP-3700428-0-0	3700428-00	INSTR PKG. BULK CARTON 99-06476-	REF	REF	REF	REF	
112	121		1300005-03	R NETWORK 13-10K 5.0 2 14PIN	1	1	1	1	E57
113	123		1000021-00	220.0 MMF 100V 5%200PPM MICA	1	1	1	1	C57
114	124		9107560-01	WIRE,BUSS 22AWG TIN BARE	A/R	A/R	A/R	A/R	
115	125		1013466-21	47.0 MMF 50V 5% CER	3	3	3	3	C61,C58,C60
116	126		1013466-19	470.0 MMF 50V 5% CER	1	1	1	1	C20
117	127		1618238-02	BEAD,FERRITE .1380X.330LG	6	6	6	6	L4-L9
118	128		1618437-00	BEAD,FERRITE .23600X.394LG	3	3	3	3	L2,L3,L10
119	129		2118615-02	GEN.BAUD RATE,PROGKA	1	1	1	1	E60

D I G I T A L										VT100 BASIC VIDEO										SECTION A OF A										SIZE CODE										DOCUMENT NUMBER										REV									
																														K PL										5413009-0-DBP										AD									

LINE	ITEM	DOCUMENT NUMBER	PART NUMBER	DESCRIPTION	QTY PER VARIATION	03 04 05 99	REFERENCE DESIGNATOR
------	------	-----------------	-------------	-------------	-------------------	-------------	----------------------

- 120 NOTE: FOR INDIVIDUAL FIELD SERVICE/CUSTOMER SPARES SHIPMENTS USE PACKAGING INSTRUCTION, A-SP-3700553-0-0;
- 121 NOTE: FOR BULK INTERPLANT SHIPMENTS USE PACKAGING INSTRUCTION, A-SP-3700428-0-0 VARIATION -02
- 122 NOTE: L2 REQUIRES THE INSERTION OF 1.5 TURNS OF 22 AWG BUSS WIRE SEE DETAIL ON E-UA-5413009-0-0.
- 123 NOTE: L3 AND L10 REQUIRES THE INSERTION OF 2.5 TURNS OF 22 AWG BUSS WIRE
- 124 NOTE: SEE DETAIL ON E-UA-5413009-0-0.

DIGITAL				TITLE	VT100 BASIC VIDEO	SECTION A OF A	SIZE	CODE	DOCUMENT NUMBER	REV
							K	PL	5413009-0-DBP	AD

ADVANCED VIDEO CONN.

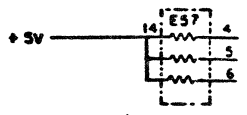
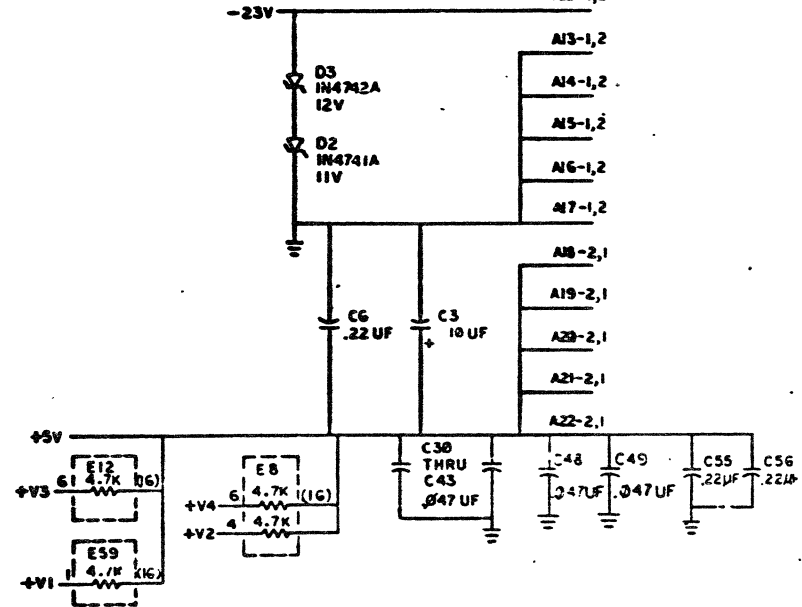
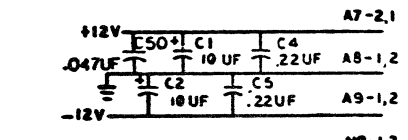
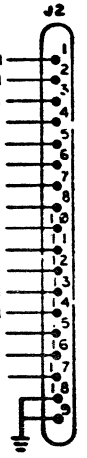
- A00 H
- A01 H
- A02 H
- A03 H
- A04 H
- A05 H
- A06 H
- A07 H
- A08 H
- A09 H
- A10 H
- A11 H
- A12 H
- A13 H
- A14 H
- A15 H
- DB 00 H
- DB 01 H
- DB 02 H
- DB 03 H
- DB 04 H
- DB 05 H
- DB 06 H
- DB 07 H
- BV4 DMA ENA L
- BV4 HOLD REQ H
- BV6 MEM RD L
- BV6 MEM WR L
- BV1 MEM DISABLE L
- BV2 SEL ATT RAM L
- BV2 SEL 0-12K L
- LBA 0 H
- LBA 1 H
- LBA 2 H
- LBA 3 H
- LBA 4 H
- LBA 5 H
- LBA 6 H
- LBA 7 H
- BV4 WRITE LB L
- BV4 CHAR CLK H
- BV1 BOLD L
- BV1 BLINK L
- BV1 UNDERLINE L
- BV1 ALT CHAR SET L
- +5V
- 6ND
- BV1 ADVANCED VIDEO L

GRAPHICS CONN

- 00 07 H
- 00 06 H
- 00 05 H
- 00 04 H
- 00 03 H
- 00 02 H
- 00 01 H
- 00 00 H
- BV4 H5 CLK H
- BV1 GRAPHICS FLAG L
- BV1 GRAPHICS 2 IN L
- BV4 INIT H
- BV4 HORIZ BLANK H
- BV2 GRAPHICS WR L
- BV4 VERT BLANK L
- BV1 GRAPHICS 1 IN L

EDGE CONN

- BV4 HORIZ DRIVE H A1-1,2
- A2-1,2
- DIRECT DRIVE VIDEO A3-2,1
- BV4 VERT DRIVE L A4-2,1
- LBA 6 H A11-1,2



REV	DATE	BY	CHKD	APP'D	DESCRIPTION
1	10/1/60	R. PUCCI			INITIAL DESIGN
2	10/15/60	R. PUCCI			REVISED FOR MANUFACTURING
3	10/20/60	R. PUCCI			REVISED FOR MANUFACTURING
4	10/25/60	R. PUCCI			REVISED FOR MANUFACTURING
5	10/30/60	R. PUCCI			REVISED FOR MANUFACTURING
6	11/5/60	R. PUCCI			REVISED FOR MANUFACTURING
7	11/10/60	R. PUCCI			REVISED FOR MANUFACTURING
8	11/15/60	R. PUCCI			REVISED FOR MANUFACTURING

CHKD	ENG	PROG ENGR	PROD	NEXT IN CH	SIZE	COOR	NUMBER	REV
					6-1/4	54	3509-0-0	1
TITLE				VT 100				
BASIC VIDEO								
SHEET				OF 6				
D				CSI 5413009-0-1 AB				

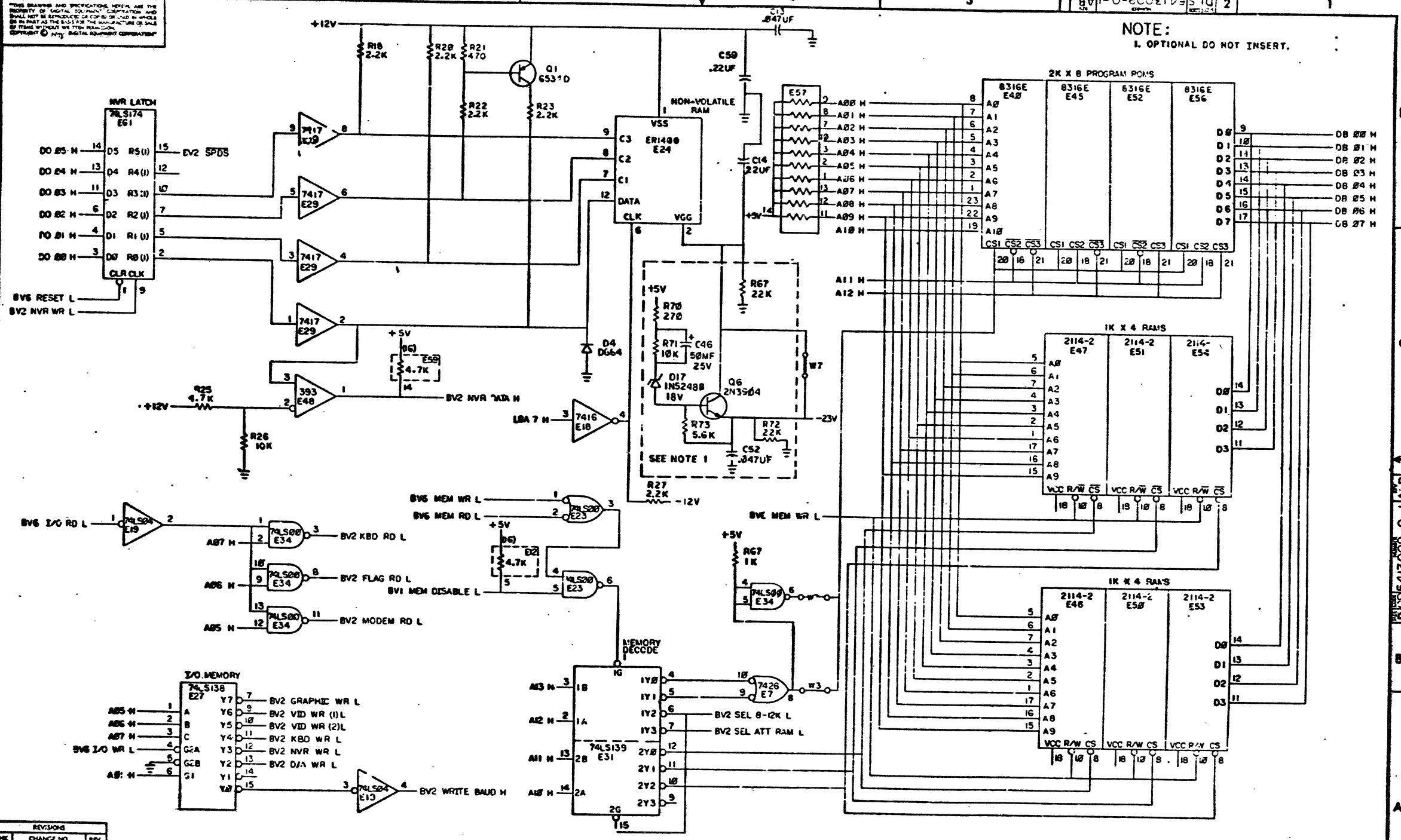
CSI 5413009-0-1 AB



THE DRAWING AND SPECIFICATIONS HEREIN ARE THE PROPERTY OF DIGITAL EQUIPMENT CORPORATION AND SHALL NOT BE REPRODUCED OR TRANSMITTED IN ANY FORM OR BY ANY MEANS, ELECTRONIC OR MECHANICAL, INCLUDING PHOTOCOPYING, RECORDING, OR BY ANY INFORMATION STORAGE AND RETRIEVAL SYSTEM, WITHOUT THE WRITTEN PERMISSION OF DIGITAL EQUIPMENT CORPORATION.

DCS 5413009-0-1 A B

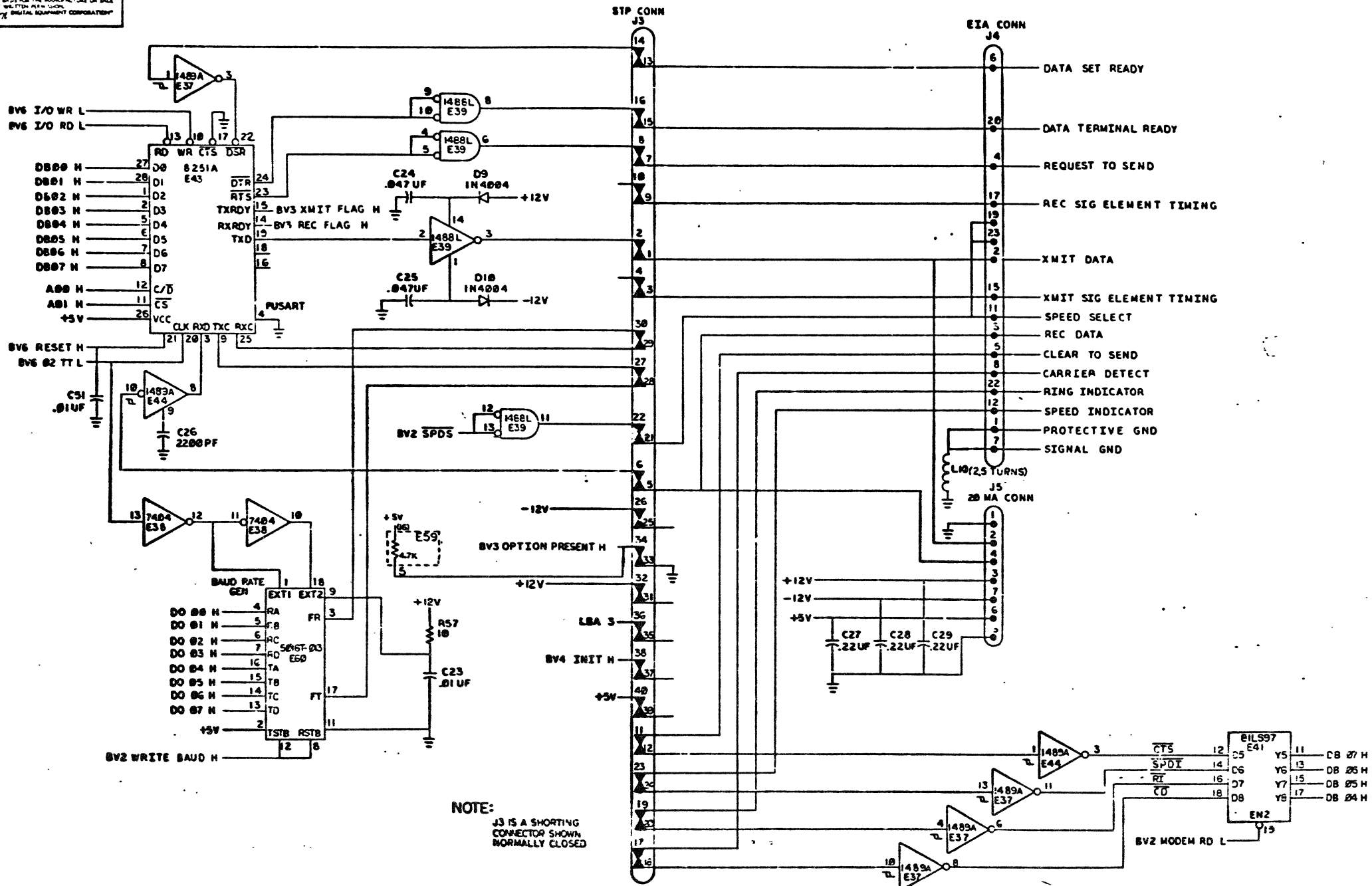
NOTE:  
1. OPTIONAL DO NOT INSERT.



REV	CHANGE NO.	REV

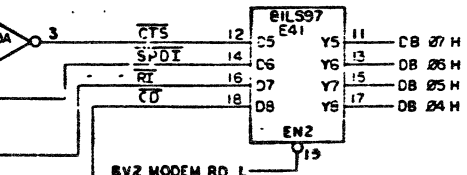
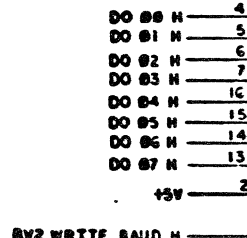
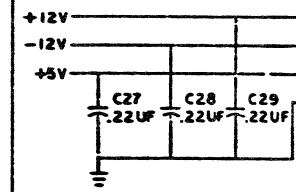
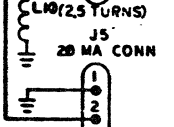
DCS 5413009-0-1 A B

THIS DRAWING AND SPECIFICATIONS HEREAFTER ARE THE PROPERTY OF DIGITAL EQUIPMENT CORPORATION AND SHALL NOT BE REPRODUCED OR COPIED IN WHOLE OR IN PART WITHOUT THE WRITTEN PERMISSION OF DIGITAL EQUIPMENT CORPORATION. COPYRIGHT © 1977 DIGITAL EQUIPMENT CORPORATION



NOTE:  
J3 IS A SHORTING  
CONNECTOR SHOWN  
NORMALLY CLOSED

- 6 DATA SET READY
- 20 DATA TERMINAL READY
- 4 REQUEST TO SEND
- 17 REC SIG ELEMENT TIMING
- 23
- 2 XMIT DATA
- 15 XMIT SIG ELEMENT TIMING
- 5 SPEED SELECT
- 3 REC DATA
- 5 CLEAR TO SEND
- 8 CARRIER DETECT
- 22 RING INDICATOR
- 12 SPEED INDICATOR
- 1 PROTECTIVE GND
- 7 SIGNAL GND



REVISIONS		
CHK	CHANGE NO.	REV.

THIS DRAWING AND SPECIFICATIONS HEREIN ARE THE PROPERTY OF DIGITAL EQUIPMENT CORPORATION AND SHALL NOT BE REPRODUCED OR TOPICED OR LEND IN WHOLE OR IN PART AS THE BASIS FOR THE MANUFACTURE OR SALE OF ITEMS WITHOUT WRITTEN PERMISSION. Copyright © 1971 DIGITAL EQUIPMENT CORPORATION

D

C

B

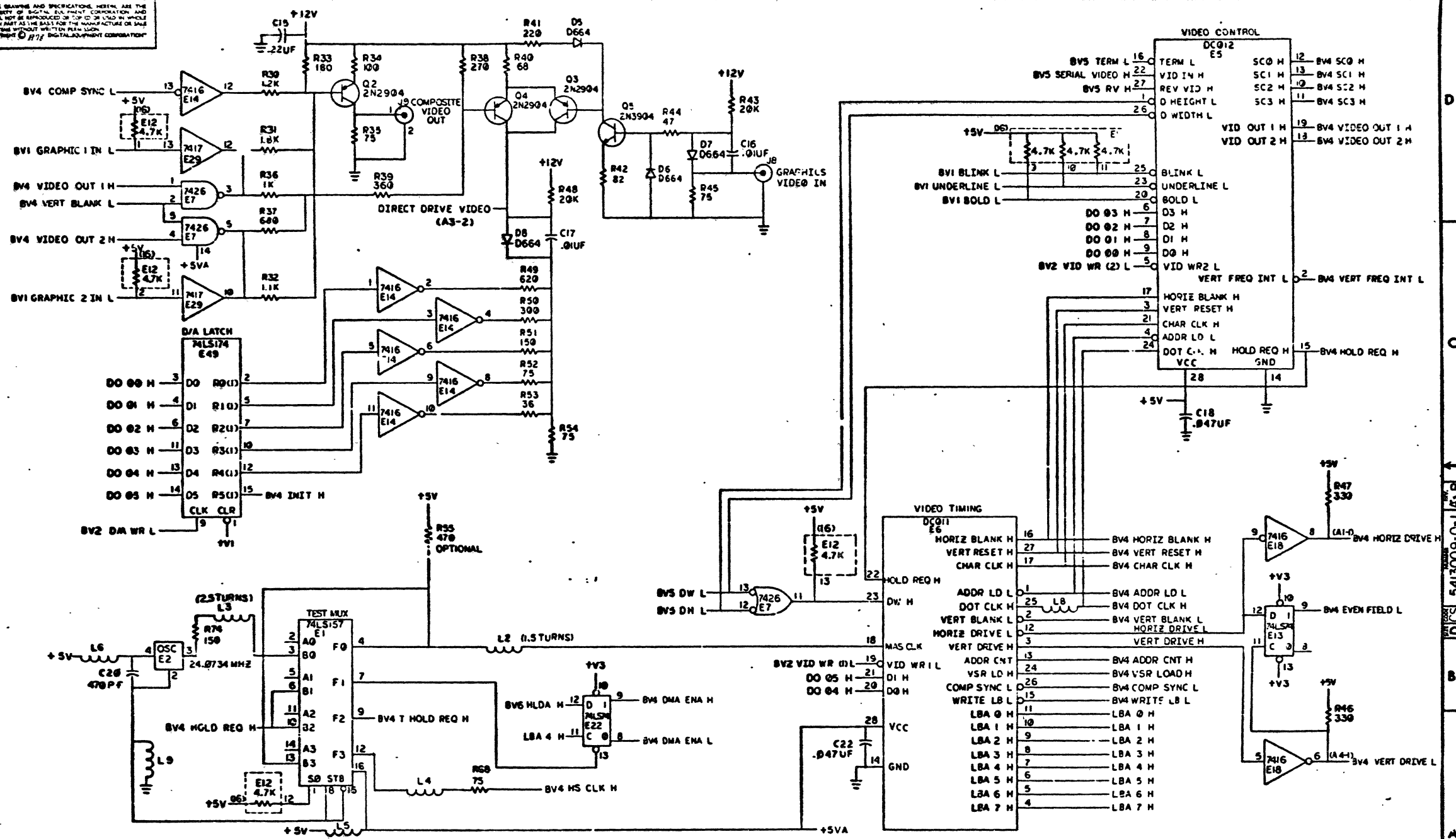
A

D

C

B

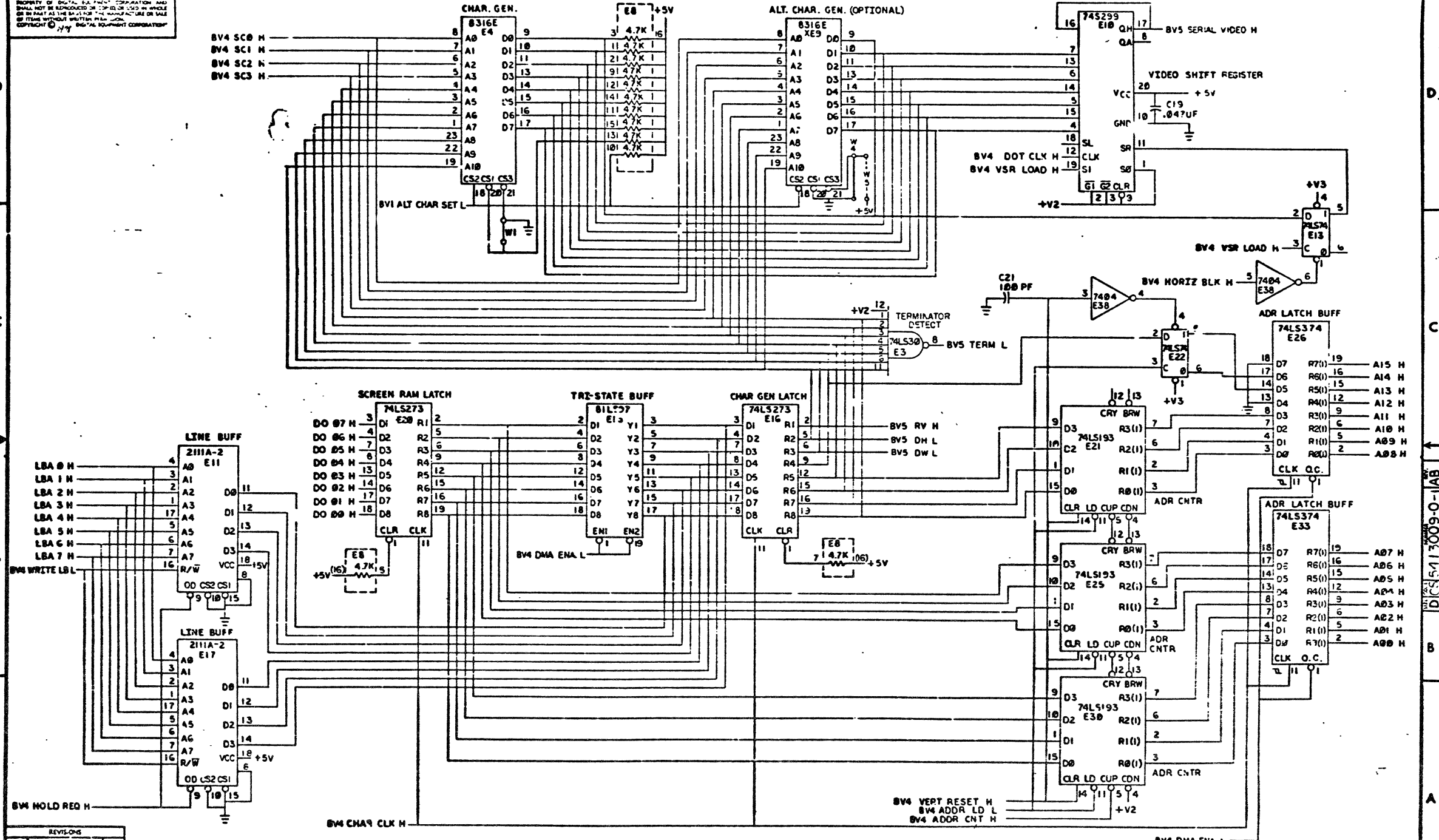
A



CHK	CHANGE NO.	REV

DCS 5413009-C-1A/B

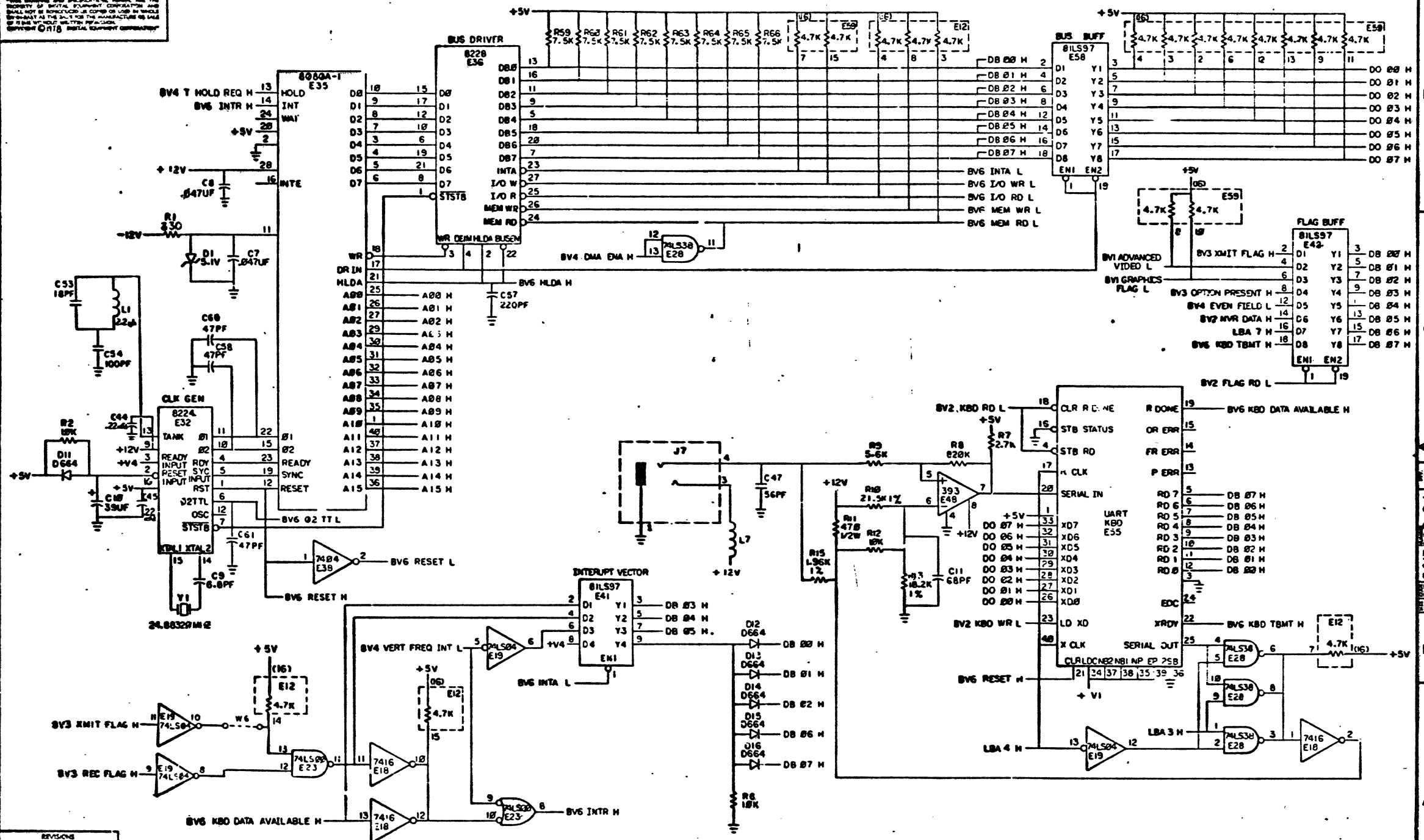
THIS DRAWING AND SPECIFICATIONS HEREIN ARE THE PROPERTY OF DIGITAL EQUIPMENT CORPORATION AND SHALL NOT BE REPRODUCED OR TRANSMITTED IN ANY FORM OR BY ANY MEANS, ELECTRONIC OR MECHANICAL, INCLUDING PHOTOCOPYING, RECORDING, OR BY ANY INFORMATION STORAGE AND RETRIEVAL SYSTEM, WITHOUT WRITTEN PERMISSION OF DIGITAL EQUIPMENT CORPORATION.



REVISIONS		
CHK	CHANGE NO.	REV

DCS 5413009-0-1AB

THIS DRAWING AND SPECIFICATION HEREIN ARE THE PROPERTY OF DIGITAL EQUIPMENT CORPORATION AND SHALL NOT BE REPRODUCED, IN WHOLE OR IN PART, WITHOUT THE WRITTEN PERMISSION OF DIGITAL EQUIPMENT CORPORATION. © 1978 DIGITAL EQUIPMENT CORPORATION.

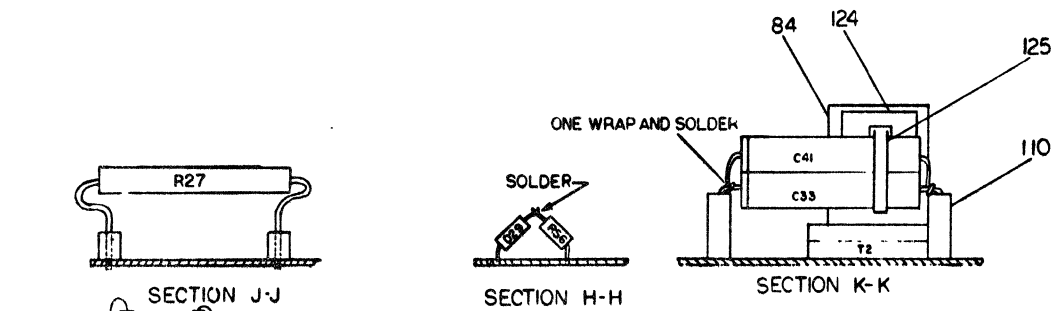


REVISIONS		
CHK	CHANGE NO.	REV

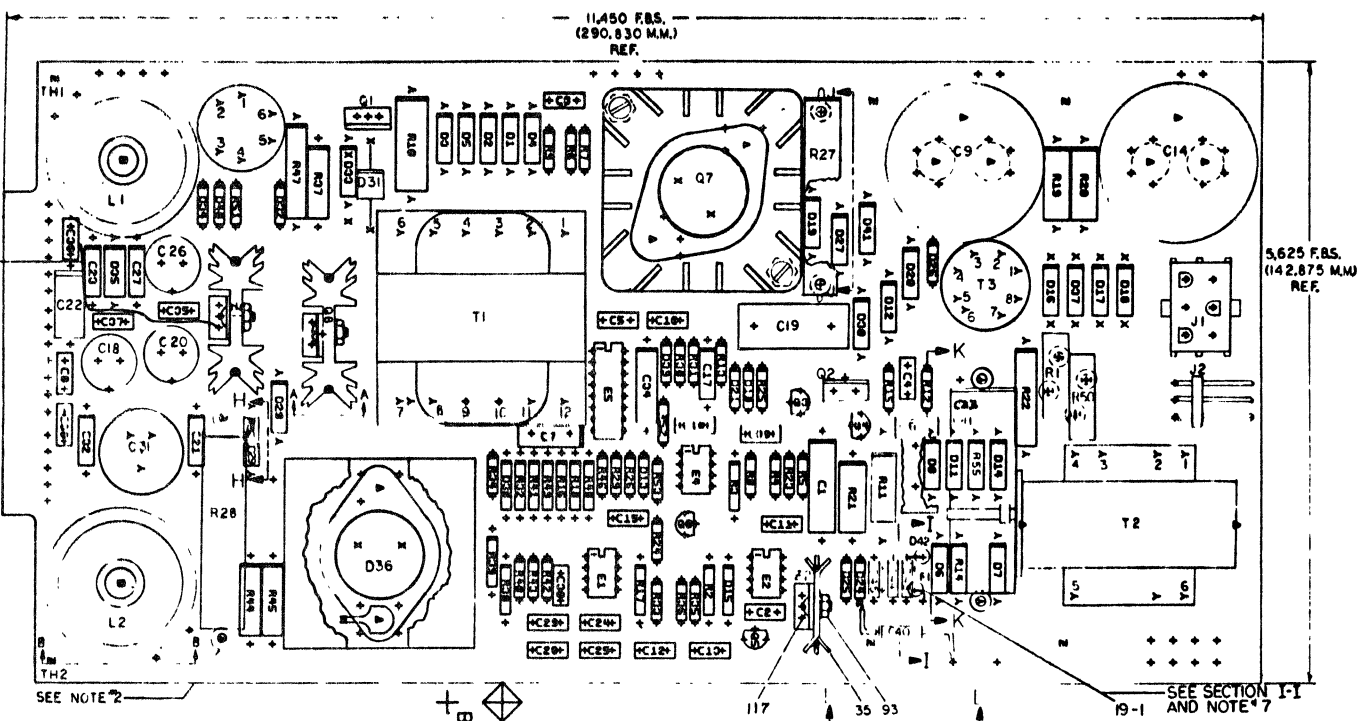
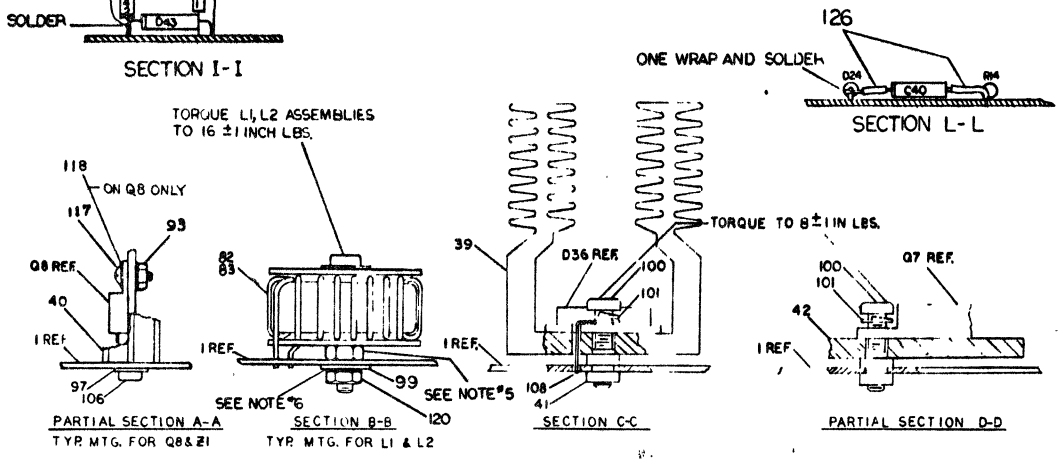
DCS 5413009-0-1 AB

REWORK INSTRUCTIONS  
 ECO-MC109 COMPONENT AIDS SIDE I  
 F1 FROM 4PIN DIP OPTIMUM MOUNTING HOLE TO ANODE MOUNTING HOLE OF D42.  
 WIRE AIDS SIDE I

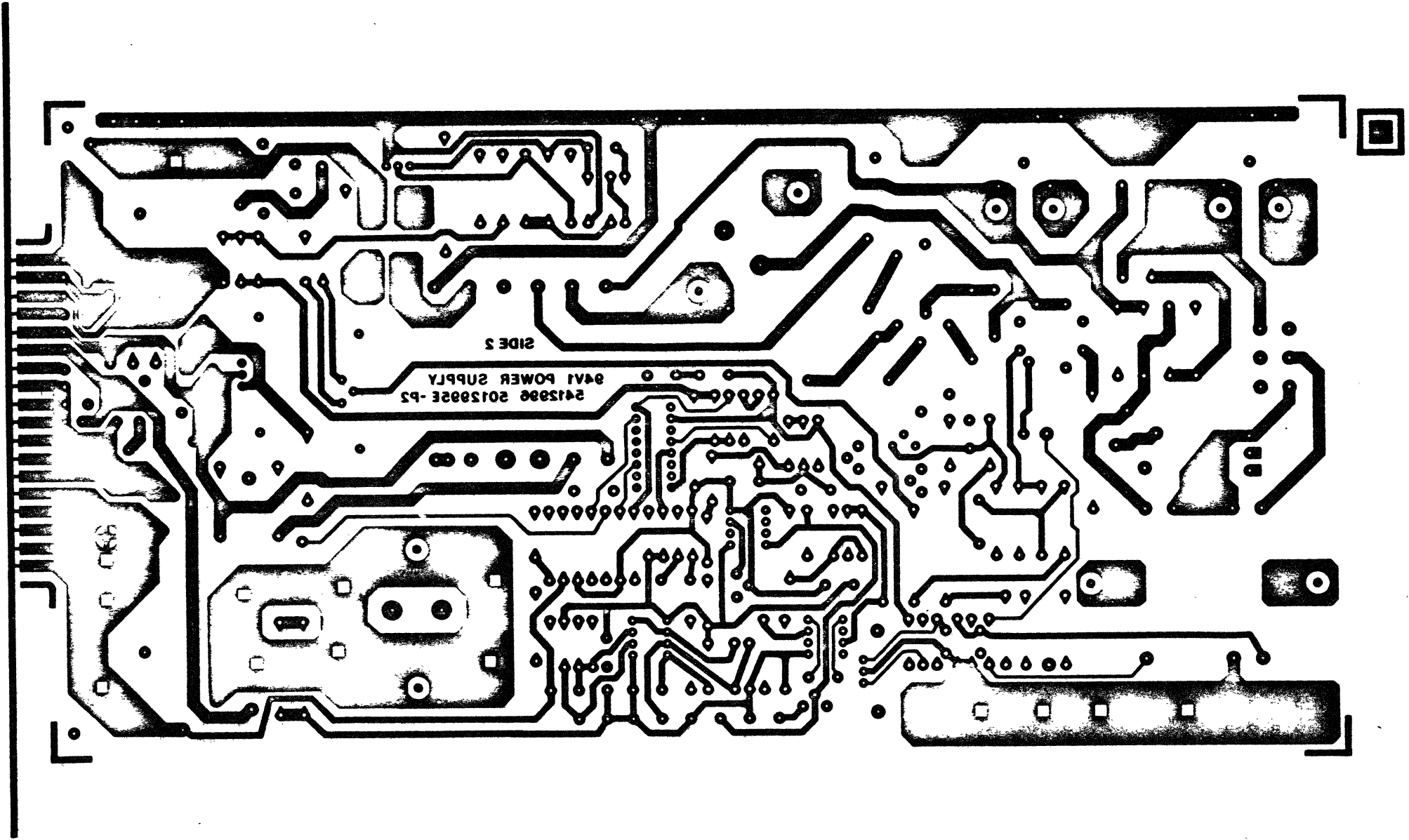
19-2 ACO JUMPER FROM Z1H42 TO ETJ31 BETWEEN C36 AND C23



- NOTES:
- BEFORE ASSEMBLY: ITEMS 82 & 83, THE NUT USED ON THESE ASSEMBLIES SHOULD BE LOCKED INTO PLACE USING PERMARLOD 240/240S OR LOCKTITE 414.
  - MAXIMUM ALLOWABLE PROTRUSION ON SIDE TWO OF ETCH BOARD FROM BOTTOM OF ETCH BOARD TO BOTTOM OF NYLON OR SCRFW PROTRUSION IS .130 MIL.
  - DIODE D42 MUST BE MOUNTED UPRIGHT USING THE CATHODE'S MOUNTING HOLE. THE ANODE OF D42 MUST BE SOLDERED TO D43'S CATHODE. F1 MUST BE MOUNTED UPRIGHT IN OPTIONAL 4PIN DIP MOUNTING HOLE. THE TOP LEAD OF FUSE F1 SHOULD BRIDGE ACROSS ETCH CUT TO THE ORIGINAL MOUNTING HOLE OF D42'S ANODE.



"THIS DRAWING AND SPECIFICATIONS, HEREIN, ARE THE PROPERTY OF DIGITAL EQUIPMENT CORPORATION AND SHALL NOT BE REPRODUCED OR COPIED OR USED IN WHOLE OR IN PART AS THE BASIS FOR THE MANUFACTURE OR SALE OF ITEMS WITHOUT WRITTEN PERMISSION. COPYRIGHT © 1973 DIGITAL EQUIPMENT CORPORATION"



JAVORPQA JVU

SIDE 3

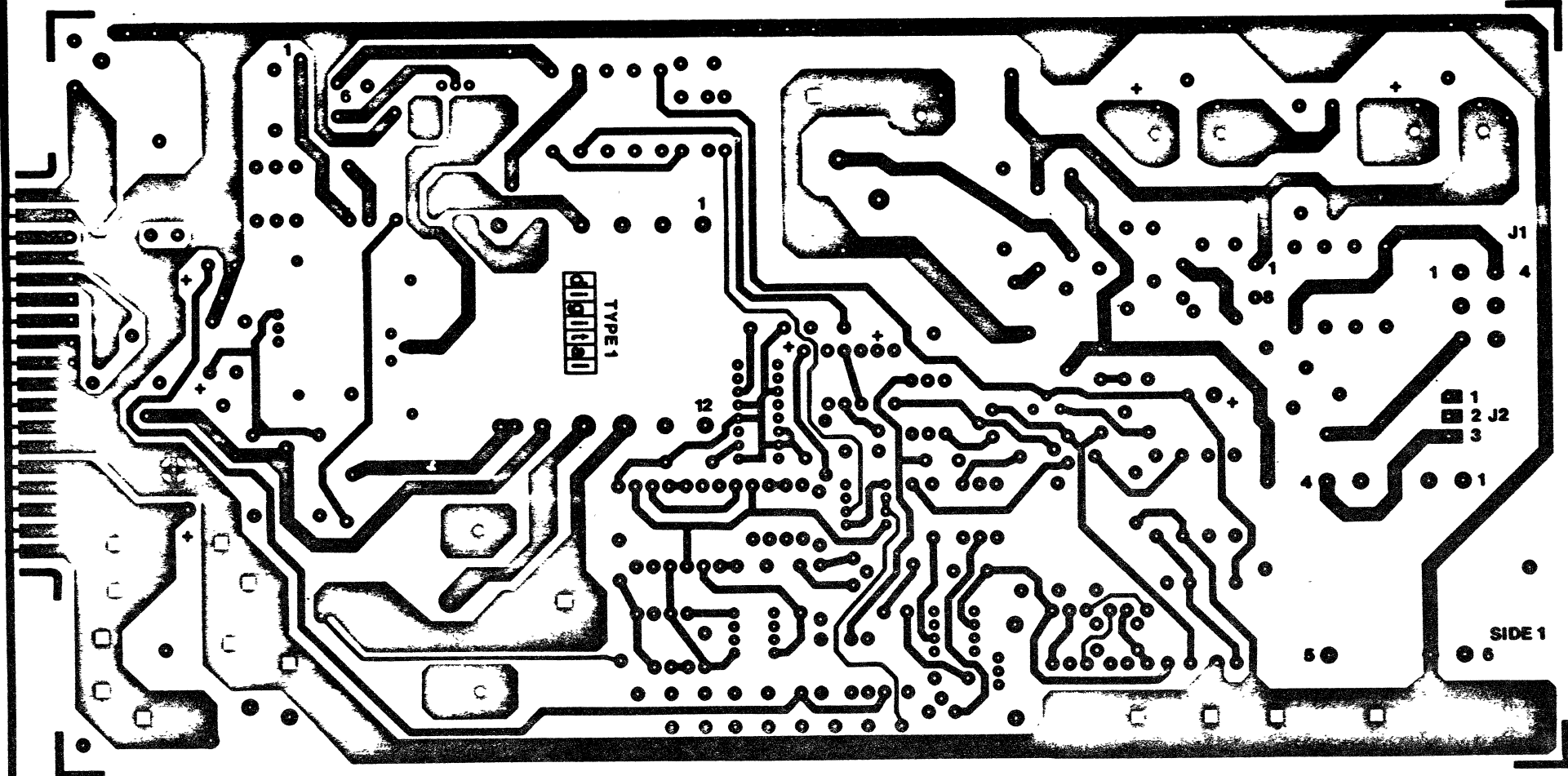
H7831 POWER SUPPLY

REVISIONS		
CHK	CHANGE NO	REV

TITLE	H7831 POWER SUPPLY	SIZE CODE	DUA	NUMBER	5412996-0-0	REV	R
SCALE	2/1	SHEET	2	OF	3	DIST	

THIS DRAWING AND SPECIFICATIONS HEREIN ARE THE PROPERTY OF DIGITAL EQUIPMENT CORPORATION AND SHALL NOT BE REPRODUCED OR COPIED OR USED IN WHOLE OR IN PART AS THE BASIS FOR THE MANUFACTURE OR SALE OF ITEMS WITHOUT WRITTEN PERMISSION. COPYRIGHT © 1979 DIGITAL EQUIPMENT CORPORATION

D UA 5412996-0-0 R 2



U/L APPROVAL

5412996 5012995 E-P 2

REVISIONS		
CHK	CHANGE NO	REV.

TITLE H7831 POWER SUPPLY SIZE CODE D UA NUMBER 5412996-0-0 REV. R  
SCALE 2/1 SHF 3 OF DIST.

D UA 5412996-0-0 R 2



LINE ITEM	DOCUMENT NUMBER	PART NUMBER	DESCRIPTION	QTY PER VARIATION	REFERENCE DESIGNATOR
				00	
1	E-MD-5012995-0-0	5012995-00	H7831 POWER SUPPLY	1	
2		1000009-00	33.0 MMF 100V 5X200PPM MICA	1	C2
3		1000016-00	100.0 MMF 100V 5X200PPM MICA	3	C5,C15,C16
4		1000039-00	.056 MFD 200V 10% MYLR	1	C1
5		1000042-00	1000.0 MMF 100V 5X200PPM MICA	5	C13,C24,C25,C28,C29
6		1000055-00	2200.0 MMF 250V 20% Y5S DISC	2	C3,C4
7		1001610-00	.01 MFD 50V +80-20% Z5U CER	5	C30,C35,C36,C37,C38
8		1004812-00	15 MFD 20V 10% S.TANT	2	C34,C40
9		1005507-00	1 MFD 100V +50-10% AL EL	1	C22
10		1011847-01	.01 MFD 400V 10% POLYPROP	1	C6
11		1015202-02	.0033 MFD 1600V 10% POLYPROP	1	C19
12		1001776-00	1 MFD 35V 10% S.TANT	1	C17
13		1010274-00	.22 MFD 50V +80-20% Z5U CER	4	C8,C10,C11,C12
14		1012607-00	560 MFD 20V+100-10% AL EL	1	C26
15		1012607-04	270 MFD 40V+100-10% AL EL	1	C20
16		1012607-05	20 MFD 200V+100-10% AL EL	1	C18
17		1013466-11	.22 MFD 50V +80-20% Z5U CER	4	C21,C23,C27,C32
18		1014170-00	*** THIS ITEM IS NOT USED ***	-	
19		1014277-00	3800 MFD 6.3V +75-10% AL EL	1	C31
20		1014861-00	590 MFD 200V +50-10% AL EL	2	C9,C14
21		1014883-00	470 MFD 50V +75-10% AL EL	2	C33,C41
22		1100114-00	D 664 QS\75PCB PIV= 25V SP	5	D10,D13,D39,D40,D21
23		1105796-00	1N 4004 PIV=400 I= 1A D041 SP	8	D32,D34,D24,D25,D42-D45
24		1105873-00	4M5-1A21 VZ= 5.1 1% .400W	1	D38
25		1109991-01	4M6.8A21 VZ= 6.8 1% .40W	1	D15
26		1112594-01	A115B PIV=200 I= 3A	1	D31
27		1112595-00	A114F PIV= 50 I= 1A	7	D1,D2,D3,D5,D12,D41,D20
28		1112595-01	A114B PIV=200 I= 1A	6	D4,D6,D7,D8,D11,D14
29		1112595-02	A114M PIV=600 I= 1A	2	D27,D28
30		1115529-00	UES2601 PIV=50V I=30A	1	D36

REVISION HISTORY		BASIC PART NO: 5412996		DRN: VIN PARECHANIAN DATE: 2-20-78		D I G I T A L	
ENG	ECO NUMBER	REV	SECTION A OF A	CHK'D:	KENT GLEEZEN	DATE:	7-JUL-80
JB	PN003	IE	SECTION.VARIATION INDEX	CHK'D:	KENT GLEEZEN	DATE:	7-JUL-80
JB	PN004	IF	[A] 00				
EJ	PN005	IH	[B]				
ICJ	5412996-ML006	IJ	[C]	DES.ENG:	BOB PEDERSEN	DATE:	7-JUN-78
IRP	ML008	IK	[D]				
IRP	ML009-5412996	IL	[E]				
IGC	5412996-ML011	IM	[F]	RESP.ENG.:	BOB PENDERSON	DATE:	7-JUN-78
IGC	5412996-ML015	IN	[H]				
IGC	5412996-ML016	IP	[J]				
IDS	5412996-ML017	IR	[K]	MFG.ENG.:	T. CORCIARI	DATE:	7-JUN-78
IDS	5412996-ML018	IS	[L]				
IDS	5412996-ML019	IT	[M]	ASSEMBLY NUMBER:		TOP DOCUMENT NUMBER:	
			[N]	IE-UA-5412996-0-0		B-DD-5412996-0-0	
						FILE NAME:	Z1085T.PLS
						EDIT #:	45

THIS DRAWING AND SPECIFICATIONS HEREIN, ARE THE PROPERTY OF DIGITAL EQUIPMENT CORPORATION AND SHALL NOT BE REPRODUCED OR COPIED OR USED IN WHOLE OR IN PART AS THE BASIS FOR THE MANUFACTURE OR SALE OF ITEMS WITHOUT WRITTEN PERMISSION. COPYRIGHT (C) 1982. DIGITAL EQUIPMENT CORPORATION \*

LINE ITEM	DOCUMENT NUMBER	PART NUMBER	DESCRIPTION	QTY	PER VARIATION	REFERENCE DESIGNATOR
				00		
31	31	1114602-00	UES1302 PIV=100V I= 4A	2		D29,D33
32	32	1115112-00	PIV=800V I=1A	2		D19,D30
33	33	1115182-00	1N 5626 PIV=600 I= 3A	4		D16,D17,D18,D37
34	34	1115224-00	VOLT.TRANS.SUPPRESS 12.1	1		D35
35	35	1215228-00	HEAT SINKS,TO-220 01.25X0.87	1		
36	36	1212204-10	HEADER.156 3POS RT ANGLE	1		J2
37	38	1212297-05	MATE-N-LOK 06PIN(2X03).250CC HDR	1		J1
38	39	1211987-03	HEAT SINK,TO-3 1.750X01.7	1		
39	40	1213921-03	HEAT SINK,EXTRUSION 1.380X2.50	2		
40	41	1214789-00	INSERT,THREAD	4		
41	42	1210012-04	HEAT SINKS,	1		
42	43	1300219-00	68.0 .25 W 5.0 X CC	2		R9,R12
43	44	1300249-00	150.0 .50 W 5.0 X CC	1		R14
44	45	1300271-00	220.0 .25 W 5.0 X CC	1		R6
45	46	1300288-00	270.0 2.0 W10.0 X CC	1		R10
46	47	1300316-00	470.0 .25 W 5.0 X CC	2		R13,R46
47	48	1300365-00	1.0 K .25 W 5.0 X CC	3		R26,R35,R43
48	49	1300417-00	2.20 K .25 W 5.0 X CC	1		R8
49	50	1300426-00	2.70 K .25 W 5.0 X CC	1		R23
50	51	1300488-00	12.0 K .25 W 5.0 X CC	1		R4
51	52	1300496-00	15.0 K .25 W 5.0 X CC	1		R24
52	53	1300536-00	100.0 K 1.0 W10.0 X CC	2		R19,R20
53	54	1301317-00	10.0 .25 W 5.0 X CC	3		R7,R15,R25
54	55	1302091-00	330.0 K .25 W 5.0 X CC	2		R30,R51
55	56	1302177-00	47.0 K .25 W 5.0 X CC	1		R31
56	57	1302388-00	2.0 K .25 W 5.0 X CC	1		R29
57	58	1310867-00	680.0 K .25 W 5.0 X CC	1		R33
58	59	1303187-00	820.0 K .25 W 5.0 X CC	1		R5
59	60	1304833-00	1.96 K .25 W 1.0 X RN55D-F10	1		R3
60	61	1304854-00	5.11 K .25 W 1.0 X RN55D-F10	4		R32,R41,R48,R49
61	62	1304852-00	1.62 K .25 W 1.0 X RN55D-F10	1		R16
62	63	1304868-00	2.74 K .25 W 1.0 X RN55D-F10	1		R2
63	64	1305109-00	1.47 K .25 W 1.0 X RN55D-F10	1		R39
64	66	1309422-00	5.10 .50 W 5.0 X CF	1		R34
65	67	1309595-00	1.0 M .25 W 5.0 X CC	3		R36,R40,R42
66	68	1310188-00	300.0 10.0 W 5.0 X WW	1		R28
67	69	1311338-00	82.0 3.0 W 5.0 X WW	2		R21,R11
68	70	1305336-00	200.0 K .25 W 1.0 X RN55D-F10	1		R17
69	71	1313014-00	.01 3.75 W 3.0 X WW	3		R37,R44,R45
70	72	1317917-00	500.0 13.0 W 5.0 X WW	1		R27
71	73	1313341-00	*** THIS ITEM IS NOT USED ***	-		
72	74	1314270-00	5.0 15.0 X NTC THERM	2		R1,R50
73	75	1314350-00	1.0 2.0 W10.0 X FUSE	2		R22,R47
74	76	1510705-00	XA 05 NPN 500MW SI 60 50 P	2		Q3,Q6
75	77	1510706-00	XA 55 PNP 500MW SI 60 50 P	2		Q4,Q5
76	78	1517910-00	2N 6547 NPN TO-3	1		Q7
77	79	1514271-00	D 44Q1 NPN 31W SI	3		Q1,Q2,Q8
78	80	1614272-00	PULSE XFMR,4 WOUND	1		T3

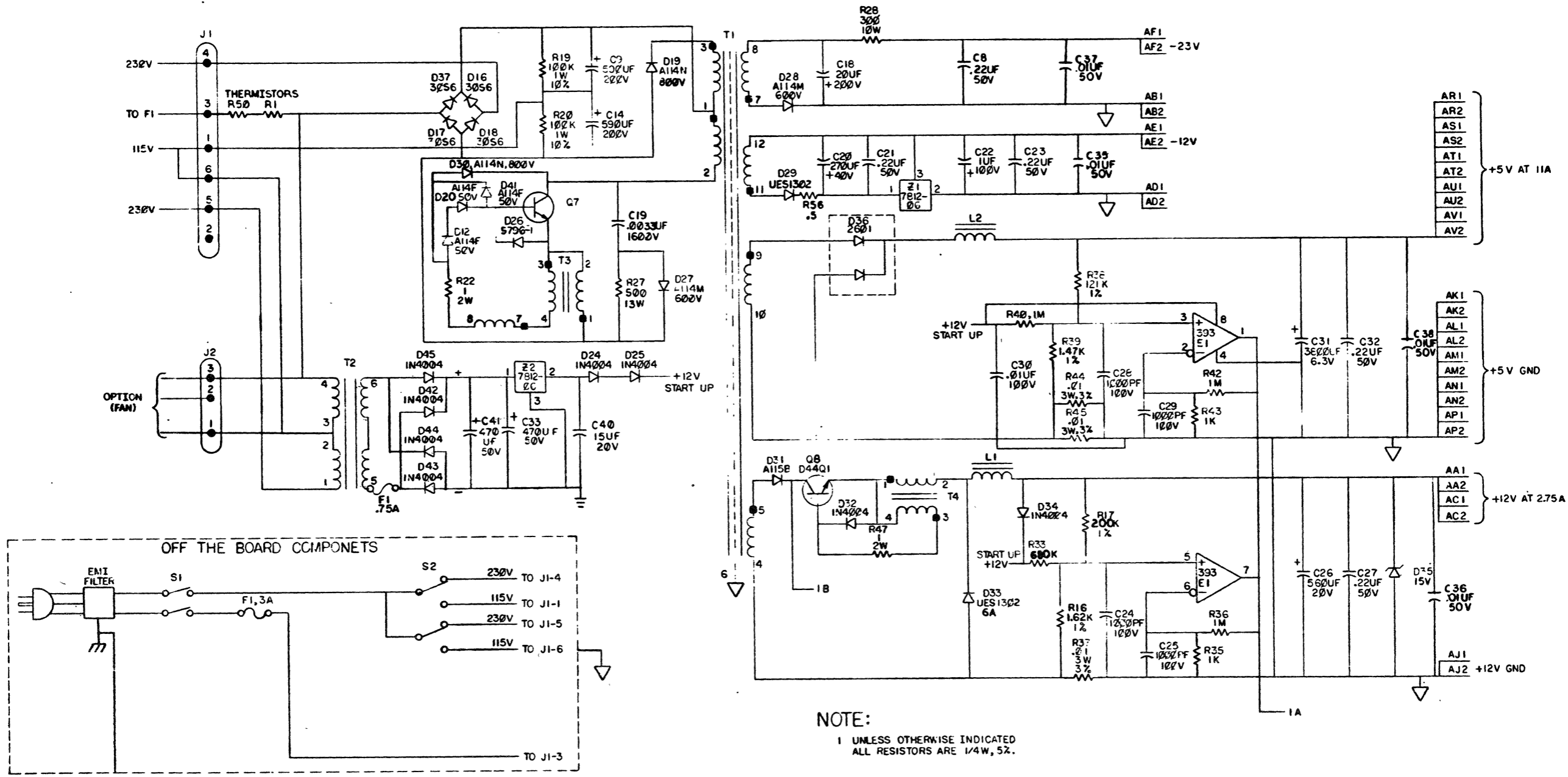
TITLE										SECTION A OF A										SIZE										CODE										DOCUMENT NUMBER										REV									
H7831 POWER SUPPLY																				K										PL										5412996-0-DBF										T									

LINE ITEM	DOCUMENT NUMBER	PART NUMBER	DESCRIPTION	QTY	PER VARIATION	REFERENCE DESIGNATOR
				00		
79	81	1614273-00	PULSE XFMR, TRI-WOUND	1		T4
80	82	1615251-00	42.0 UH VARIABLE L 11A	1		L2
81	83	1615252-00	210.0 UH VARIABLE 2.75A	1		L1
82	84	1615253-00	XFMR P=AB S=25V	1		T2
83	85	1615668-01	XFMR P=240/480 S=120	1		T1
84	86	1910282-00	301AN OP AMP	1		E2
85	87	1911944-00	555CN TIMER, FUNCT. BLOCK	1		E4
86	88	1912048-06	DEC 7812 VOLT REG, FIX 12V	2		Z1, Z2
87	89	1914156-00	LM 393 VOLT. COMPARATOR DUAL	1		E1
88	90	1914250-00	3524 MODULATOR-REGULATING	1		E5
89	93	9006557-00	NUT, KEP 4-40X 1/4 AF	3		
90	97	9008172-00	WASHER, FLAT SST	4		
91	99	9006660-00	WASHER, FLAT SST	2		
92	100	9007793-01	SCREW, MACH PAN PHIL 6-	4		
93	101	9007801-00	WASHER, HELICAL SPLIT SST	4		
94	106	9009236-01	SCREW, TAP PAN PHIL THD CT 4-	4		
95	108	9009676-00	TERM, SOLDER BARRIER STR	1		
96	109	9009795-00	SCREW, SEMS PAN SLOT 10-	4		
97	110	9009798-00	SPACER, CLEAR HOLE RND CERAM .07	10		
98	112	1300197-00	33.0 .25 W 5.0 Z CC	1		R52
99	113	1302466-00	100.0 K .25 W 5.0 Z CC	1		R53
100	114	1305253-00	121.0 K .25 W 1.0 Z RN55D-F10	1		R38
101	115	1001765-00	.005 MFD 100V 20% Z5T DISC	1		C39
102	117	9006010-01	SCREW, MACH PAN PHIL 4-	3		
103	118	9009769-00	WASHER, RECTNGLR STEEL	1		
104	119	9006664-00	WASHER, FLAT SST	4		
105	120	9006563-00	NUT, KEP 8-32X 11/13AF	2		
106	121	1105796-01	5796-1PIV=400 I=1A D041	1		D26
107	122	1300285-00	270.0 .50 W 5.0 Z CC	1		R55
108	123	1311867-00	.50 3.0 W 1.0 Z WW	1		R56
109	124	9008264-00	MOUNT, CABLE TIE, ADHESIVE BACKE	1		
110	125	9007031-00	TIE, CABLE BUNDL. DIA 0- 3/4"=101	1		
111	126	9107278-09	TUBING, TEFLON .042ID	A/R		
112	127	1018960-00	6800.0 MMF 100V 1% MICA	1		C7
113	128	9107350-55	WIRE, 22AWG( 07/30)IPVC 150V	A/R		
114	129	1312923-00	2.10 K .25 W 1.0 Z RN55D-F10	1		R18
115	130	1210929-03	FUSE, SUB-MINI .750A, 125V, A	1		F1

116 NOTE: SEE E-UA-5412996-0-0 FOR ADDITIONAL INSERTION INFORMATION  
 117 NOTE: USE 1313191-00 UNTIL EXISTING STOCK HAS BEEN DEPLETED THEN USE 1317917-00.

D I G I T A I L		TITLE	SECTION A OF A		SIZE	CODE	DOCUMENT NUMBER	REV
		H7831 POWER SUPPLY			K	PL	5412996 J-DBP	T

THIS DRAWING AND SPECIFICATIONS, HEREIN, ARE THE PROPERTY OF DIGITAL EQUIPMENT CORPORATION AND SHALL NOT BE REPRODUCED OR COPIED OR USED IN WHOLE OR IN PART AS THE BASIS FOR THE MANUFACTURE OR SALE OF ITEMS WITHOUT WRITTEN PERMISSION.  
 COPYRIGHT © 1977, DIGITAL EQUIPMENT CORPORATION



REV. 1	5412996 - PNO01 C	DATE 10/18/77	BY J. BITTO
REV. 2	5412996 - PNO02 D	DATE 10/23/77	BY J. BITTO
REV. 3	5412996 - PNO03 F	DATE 11/15/77	BY J. BITTO
REV. 4	5412996 - PNO04 F	DATE 11/23/77	BY J. BITTO
REV. 5	5412996 - PNO05 H	DATE 12/15/77	BY E. JAMES
REV. 6	5412996 - MLO01 J	DATE 01/10/78	BY G. CHRISTIANSEN
REV. 7	5412996 - MLO02 K	DATE 01/10/78	BY G. CHRISTIANSEN
REV. 8	5412996 - MLO03 L	DATE 01/10/78	BY G. CHRISTIANSEN
REV. 9	5412996 - MLO04 M	DATE 01/10/78	BY G. CHRISTIANSEN
REV. 10	5412996 - MLO05 N	DATE 01/10/78	BY G. CHRISTIANSEN
REV. 11	5412996 - MLO06 P	DATE 01/10/78	BY G. CHRISTIANSEN
REV. 12	5412996 - MLO07 R	DATE 01/10/78	BY G. CHRISTIANSEN
REV. 13	5412996 - MLO08 S	DATE 01/10/78	BY G. CHRISTIANSEN
REV. 14	5412996 - MLO09 T	DATE 01/10/78	BY G. CHRISTIANSEN
REV. 15	5412996 - MLO10 U	DATE 01/10/78	BY G. CHRISTIANSEN
REV. 16	5412996 - MLO11 V	DATE 01/10/78	BY G. CHRISTIANSEN
REV. 17	5412996 - MLO12 W	DATE 01/10/78	BY G. CHRISTIANSEN
REV. 18	5412996 - MLO13 X	DATE 01/10/78	BY G. CHRISTIANSEN
REV. 19	5412996 - MLO14 Y	DATE 01/10/78	BY G. CHRISTIANSEN
REV. 20	5412996 - MLO15 Z	DATE 01/10/78	BY G. CHRISTIANSEN

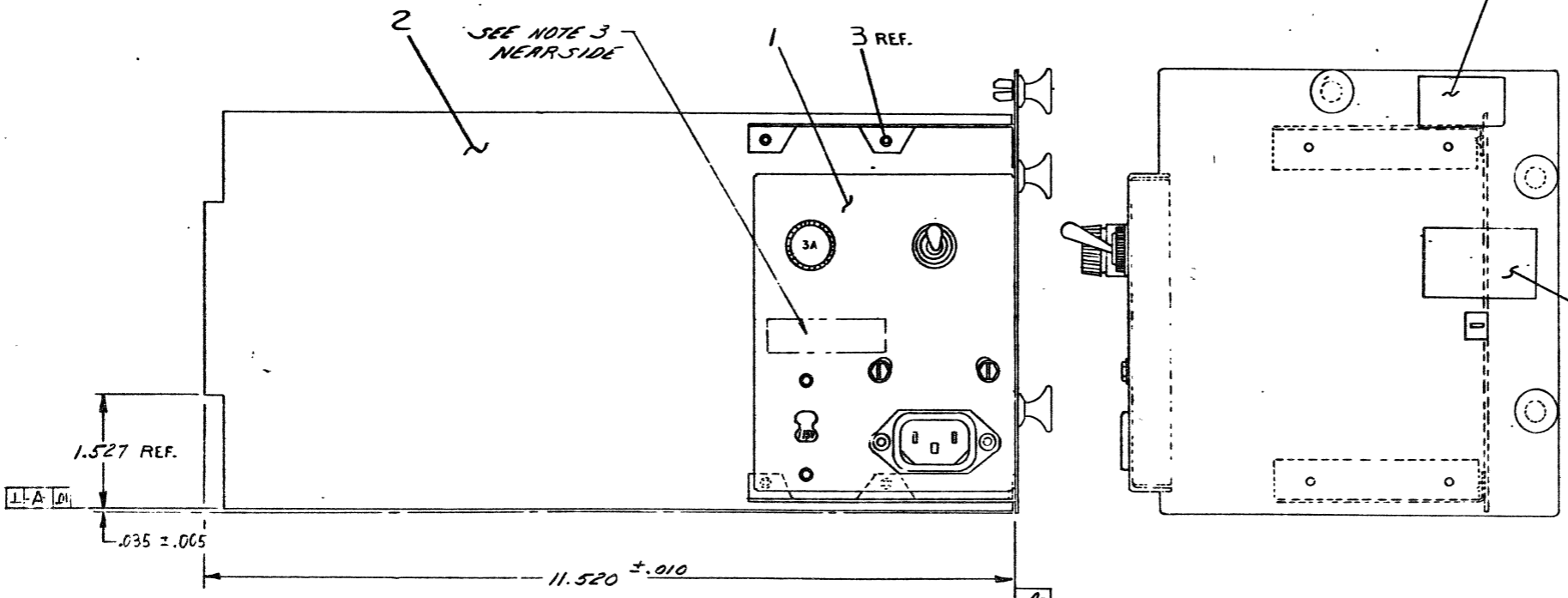
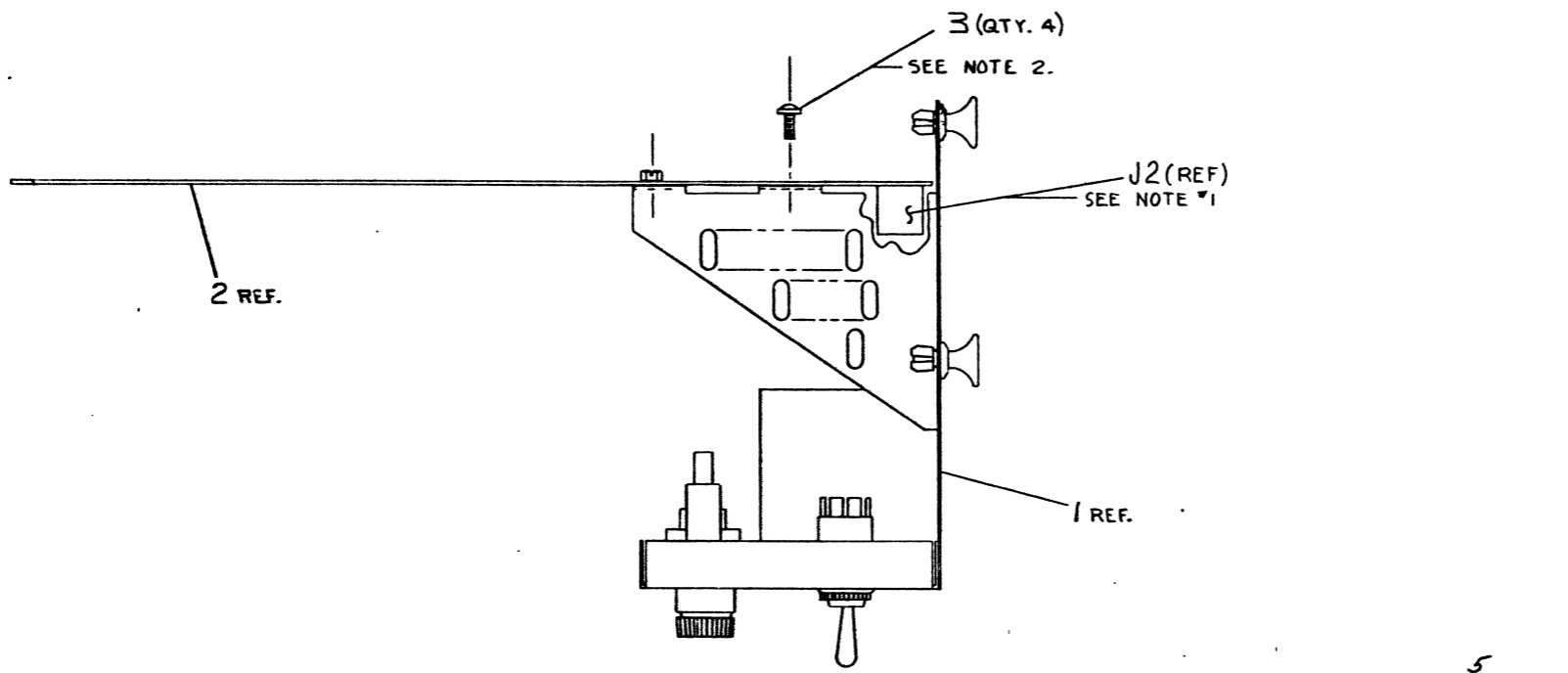
  

DRN. 1	5412996-0-1 U	FIRST USED ON	H7831
CHK'D		TITLE	H7831 POWER SUPPLY
ENGR.		SCALE	1 OF 2
PROJ. ENGR.		SIZE	D
PROD. MGR.		COOR.	CS
NEXT HIGHER ASSY.		NUMBER	5412996-C-1 U
B-DD	5412996-C	DIST.	
SHEET	1	REV.	



THIS DRAWING AND SPECIFICATIONS, HEREIN, ARE THE PROPERTY OF DIGITAL EQUIPMENT CORPORATION AND SHALL NOT BE REPRODUCED OR COPIED OR USED IN WHOLE OR IN PART AS THE BASIS FOR THE MANUFACTURE OR SALE OF ITEMS WITHOUT WRITTEN PERMISSION.  
 COPYRIGHT © 1977, DIGITAL EQUIPMENT CORPORATION

- NOTES:**
- CONNECT PLUG FROM ITEM 1 (7015053-0-0) TO J2 ON ITEM 2 (5412996).
  - INSTALL ITEM 3 AS SHOWN, TYP. 4 PLACES.
  - IDENTIFICATION: STAMP USING 1/8" CHARACTER HEIGHT AS INDICATED BELOW TO HIGHEST LEVEL OF SUBASSEMBLY SPECIFIED ON PURCHASE ORDER AND LOCATE APPROX AS SHOWN ON DRAWING  
 A.) PART NUMBER  
 B.) REVISION  
 C.) VENDOR IDENTIFICATION.
  - LOCATE ITEM NO. 4 & 5 APPROX AS SHOWN.
  - ADD CSA LABEL 3613211-01 FOR ALL FAR EAST BUILT UNITS AS DIRECTED BY CORPORATE PRODUCT SAFETY. LABEL TO BE LOCATED UNDER SERIAL LABEL.
  - FOR INDIVIDUAL FIELD SERVICE OR CUSTOMER SPARES SHIPMENTS USE PACKAGING INSTRUCTIONS A-SP-3700552-0-0; FOR BULK INTERPLANT SHIPMENTS USE PACKAGING INSTRUCTION A-SP-3700437-0-0. VARIATION - Ø Ø



CAUTION: OFF SHEET PARTS LIST EXIST.  
 REFER TO K-PL-7014979-0-DBP

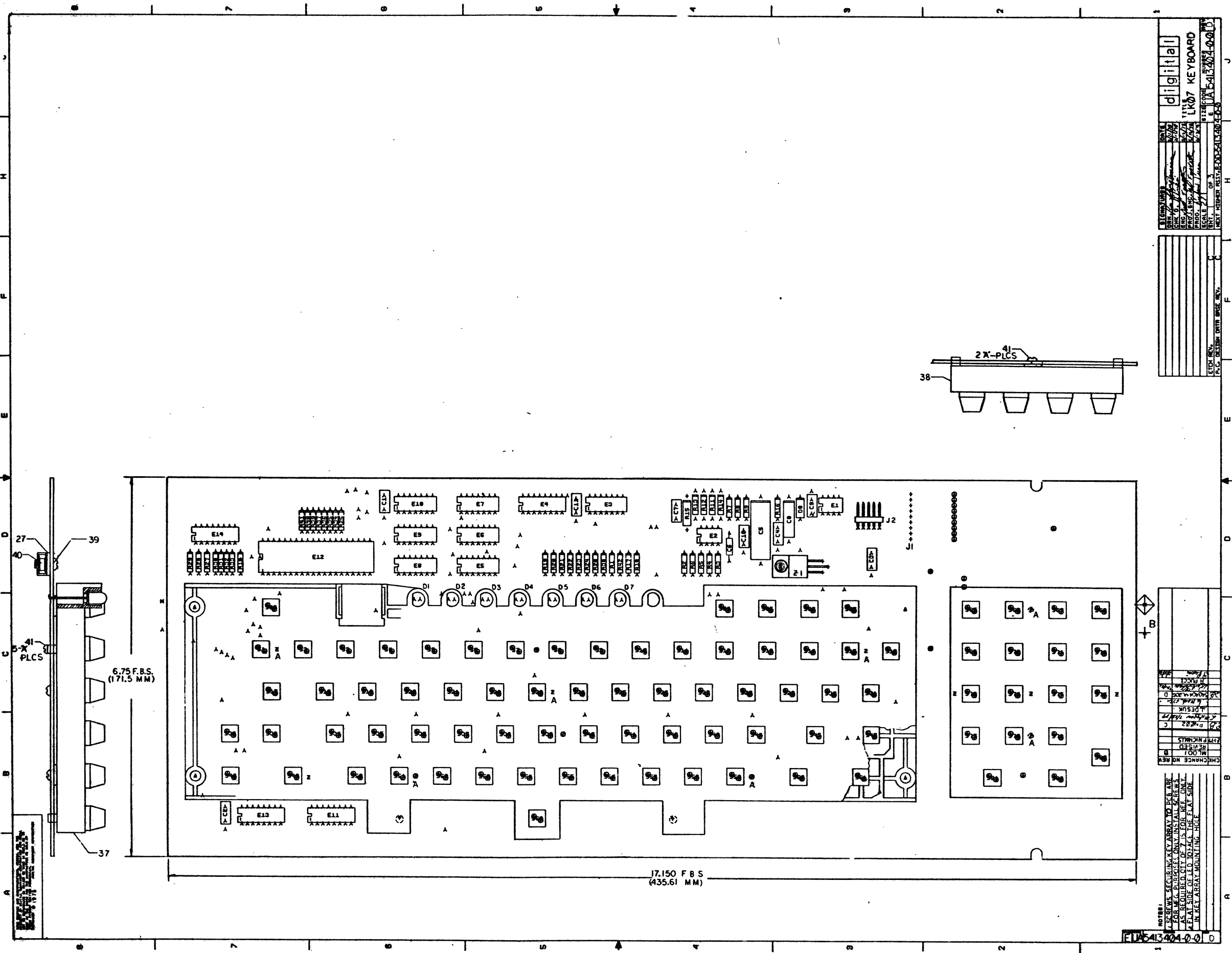
REV.	CHANGE NO.	DESCRIPTION
A	1	7014979-ML001
B	1	7014979-ML002
C	1	7014979-ML003
D	1	7014979-ML004
E	1	7014979-ML005
F	1	7014979-ML006
G	1	7014979-ML007
H	1	7014979-ML008
I	1	7014979-ML009
J	1	7014979-ML010

THIRD ANGLE PROJECTION	DRN. D. Bourdon	7 SEPT 77	FIRST USED ON	VT100	digital
	CHK'D J. Seaman	20 SEP 77	TITLE	POWER SUPPLY ASSY.	
REMOVE BURRS AND BREAK SHARP CORNERS	ENG. J. Seaman	20 SEP 77	PROJ. ENG. J. Seaman	17 SEP 77	PROD. J. Seaman
DO NOT SCALE DWG	NEXT HIGHER ASSY.				
MATERIAL SEE PARTS LIST	E-UA-VT100-0-0	SIZE CODE	D AD	NUMBER	7014979-0-0
FINISH	SCALE 1:1	SHEET	1 OF 1	DIST.	

PART 7014979-0-0

A

1 ml



DATE	BY	CHKD	APP'D
10/20/74	J. J. [Signature]	[Signature]	[Signature]
DESIGN	ENG. DRG.	PROJ. ENG.	PROD. PLAN.
10/20/74	[Signature]	[Signature]	[Signature]
REV. 1	OF 1	REV. 1	OF 1
PART NUMBER: 5413404-000		REV. 1	


STATION NO.	PLC	EXTENSION	OTHER	DATE	REV.

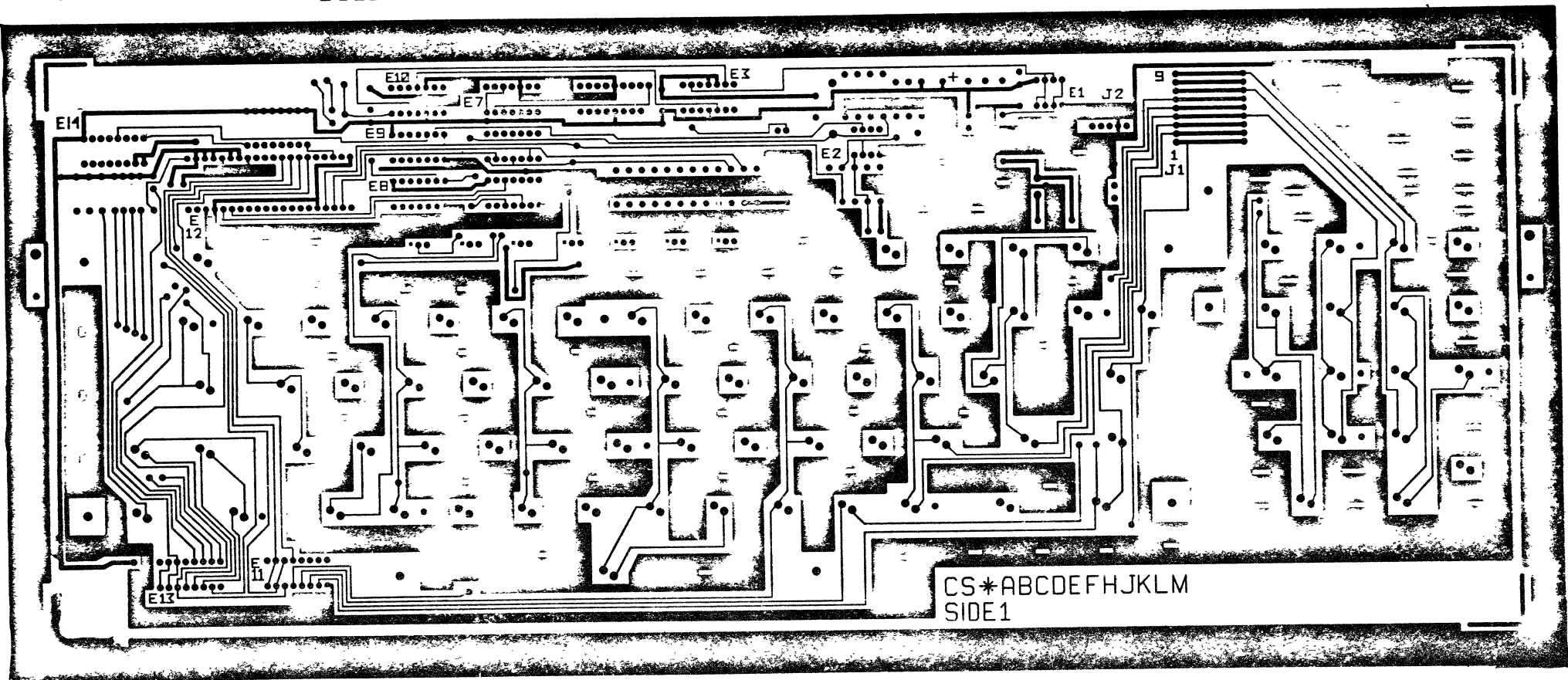
CHK CHANGE NO	REV	DATE	BY
REV. 1	OF 1	10/20/74	J. J. [Signature]

NOTES:  
 1. SCREWS SECURING KEY ARRAY TO PCB ARE FOR M.C. PURPOSES ONLY. INSTALL SCREWS AS REQUIRED. CITY OF 7 IS FOR REF. ONLY.  
 2. AT FLAT SIDE OF LED TO PLACE THE FLAT SIDE IN KEY ARRAY MOUNTING HOLE.

5413404-000

THIS DRAWING AND SPECIFICATIONS ARE THE PROPERTY OF THE U.S. GOVERNMENT AND SHALL NOT BE REPRODUCED OR COPIED IN ANY MANNER WITHOUT THE WRITTEN PERMISSION OF THE U.S. GOVERNMENT. DATE: 1979

5413404  
5013403 C-PI  L1



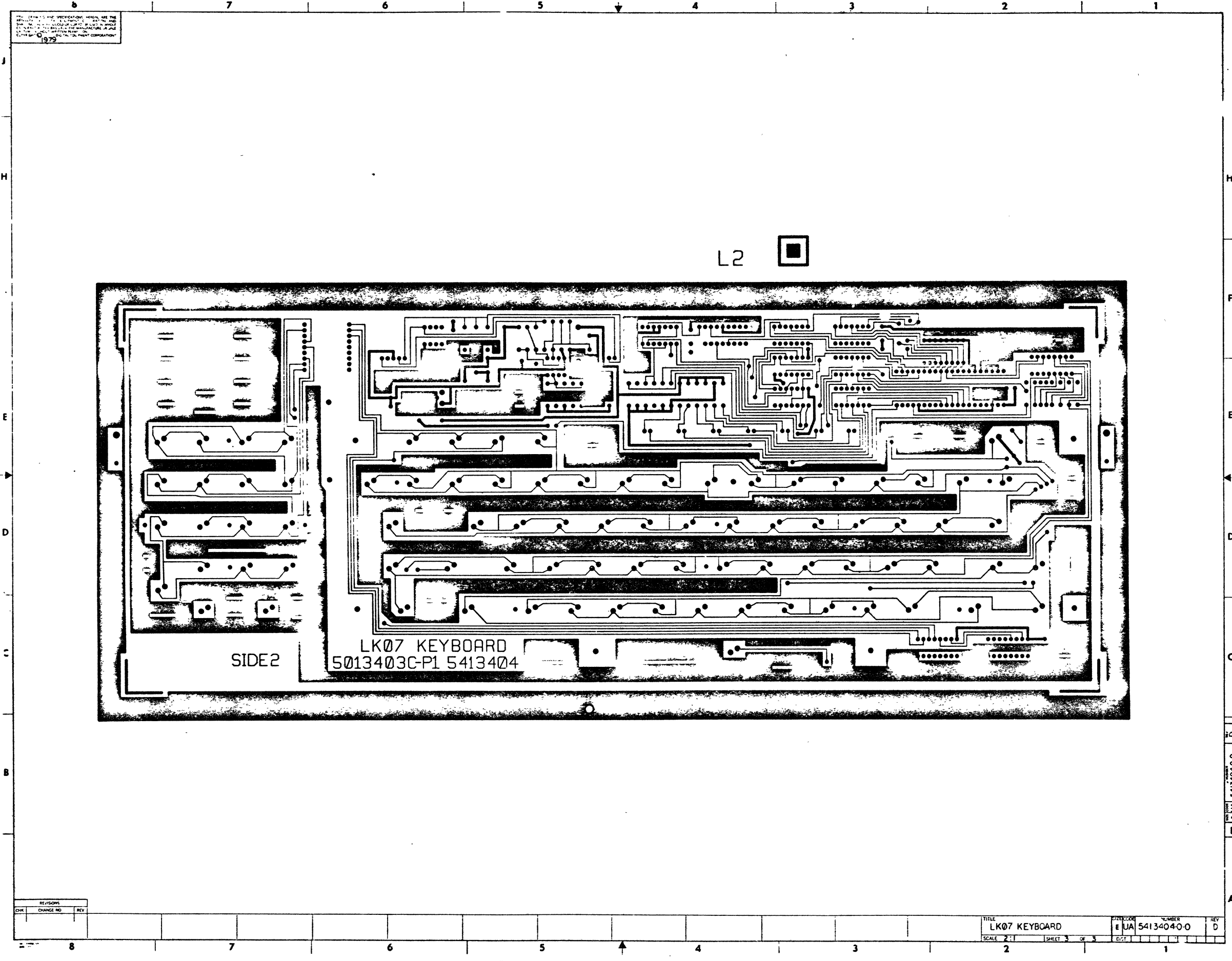
CS\*ABCDEFGHIJKLM  
SIDE 1

CHK	NO	DATE	REV

TITLE	LK07 KEYBOARD	DESIGNER	E LIA	NOV/88	REV	D
SCALE	2:1	SHEET	2	OF	3	



ALL DIMENSIONS AND SPECIFICATIONS HEREIN ARE THE PROPERTY OF THE U.S. GOVERNMENT AND SHALL BE CONTAINED HEREIN IN UNLIMITED QUANTITIES AND BE LOANED TO ANY OTHER AGENCY OF THE U.S. GOVERNMENT. THIS DRAWING IS THE PROPERTY OF THE U.S. GOVERNMENT AND IS TO BE RETURNED TO THE U.S. GOVERNMENT OFFICE OF THE ASSISTANT SECRETARY FOR POLICY AND PLANNING, WASHINGTON, D.C. 20315.



L2

SIDE 2

LK07 KEYBOARD  
5013403C-P1 5413404

REVISIONS		
CHR	CHANGE NO	REV

TITLE	LK07 KEYBOARD	SIZE/COLOR	NUMBER	REV
SCALE	2:1	SHEET	3 OF 3	D
EUA 5413404-0		5413404-0		D

EUA 5413404-0

LINE ITEM	DOCUMENT NUMBER	PART NUMBER	DESCRIPTION	QTY PER VARIATION 00	REFERENCE DESIGNATOR
1	D-MD-5013403-0-0	5013403-00	DRILL & ETCH DRAWING	1	
2		1000014-00	68.0 MHF 100V 5X200PPM MICA	1	C7
3		1000075-00	25 MFD 25V +75-10% AL EL	1	C5
4		1001634-00	*** THIS ITEM IS NOT USED ***	-	
5		1005306-00	6.8MFD 35V 10% S.TANT	1	C8
6		1012784-00	.047 MFJ 50V +80-20% CER	6	C1,C2,C4,C9-C11
7		1105275-00	D 672 TR= 15NS PIV= 60V SI	1	D8
8		1110324-01	LED 1MCD@10MA PIV=3 .750 MIN. LE	7	D1-D7
9		1215048-00	PCB,HEADER 05PIN(1X05).J98CC 90D	1	J2
10		1300319-00	390.0 .25 W 5.0 % CC	2	R16,R42
11		1300315-00	470.0 .50 W 5.0 % CC	1	R15
12		1300365-00	1.0 K .25 W 5.0 % CC	6	R10,R19,R21-R24
13		1300439-00	3.30 K .25 W 5.0 % CC	9	R26-R33,R38
14		1300479-00	10.0 K .25 W 5.0 % CC	11	R2,R3,R17,R25,R34-R37,R39-R41
15		1301401-00	750.0 .25 W 5.0 % CC	1	R1
16		1301425-00	300.0 .25 W 5.0 % CC	2	R18,R20
17		1301874-00	5.60 K .25 W 5.0 % CC	3	R5,R7,R9
18		1302391-00	20.0 K .25 W 5.0 % CC	2	R4,R6
19		1303155-00	21.50 K .25 W 1.0 % RN55D-F10	1	R12
20		1303187-00	820.0 K .25 W 5.0 % CC	1	R8
21		1303312-00	10.0 K .25 W 1.0 % RN55D-F10	1	R11
22		1304833-00	1.96 K .25 W 1.0 % RN55D-F10	1	R14
23		1309412-00	18.00 K .25 W 1.0 % RN55D-F10	1	R13
24		1909686-00	7404 INVERTER GATE-HEX 11	1	E9
25		1910406-00	75451 DRIVER,PERIPH,DUAL,	1	E1
26		1910741-00	7406 INVERTER GATE-HEX 11	1	E8
27		1912536-01	7805 VOLT REG,FIX +5V	1	Z1
28		1912649-00	LS75 LATCH 4BIT,BISTABLE	1	E4
29		1912799-00	LS00 NAND-GATE-QUAD 2IN,P	1	E5
30		1912823-00	LS73 FF-JK DUAL W/CLEAR	1	E3

REVISION HISTORY		BASIC PART NO: 5413404		DRN:	T SHETRAWSKI	DATE: 23-JUL-79	D I G I T A L		
ENG	ECD NUMBER	REV	SECTION A OF A	CHK'D:	T SHETRAWSKI	DATE: 23-JUL-79	TITLE	PARTS LIST	
IRP	5413404-ML001	B	SECTION VARIATION INDEX	DES.ENG:	M MORGESTERN	DATE: 23-JUL-79	VT100 FULL KEYBOARD		
J.D	5413404-PN002	C	[A] 00	RESP.ENG.:	M MORGESTERN	DATE: 23-JUL-79	DOCUMENT NUMBER		
J.B	5413404-PN003	D	[B]	MFG.ENG.:	T CORCIARI	DATE: 23-JUL-79	SIZE CODE NUMBER	REV	
ICJ	5413404-ML004	E	[C]	ASSEMBLY NUMBER:		TOP DOCUMENT NUMBER:	FILE NAME:	EDIT #	
ICJ	5413404-ML005	F	[D]	D-UA-5413404-0-0			Z0783J.PLS	13	
IRP	5413404-ML006	H	[E]						
AC	5413404-ML007	J	[F]						
			[G]						
			[H]						
			[I]						
			[J]						
			[K]						
			[L]						
			[M]						
			[N]						

\*THIS DRAWING AND SPECIFICATIONS HEREIN, ARE THE PROPERTY OF DIGITAL EQUIPMENT CORPORATION AND SHALL NOT BE REPRODUCED OR COPIED OR USED IN WHOLE OR IN PART AS THE BASIS FOR THE MANUFACTURE OR SALE OF ITEMS WITHOUT WRITTEN PERMISSION.

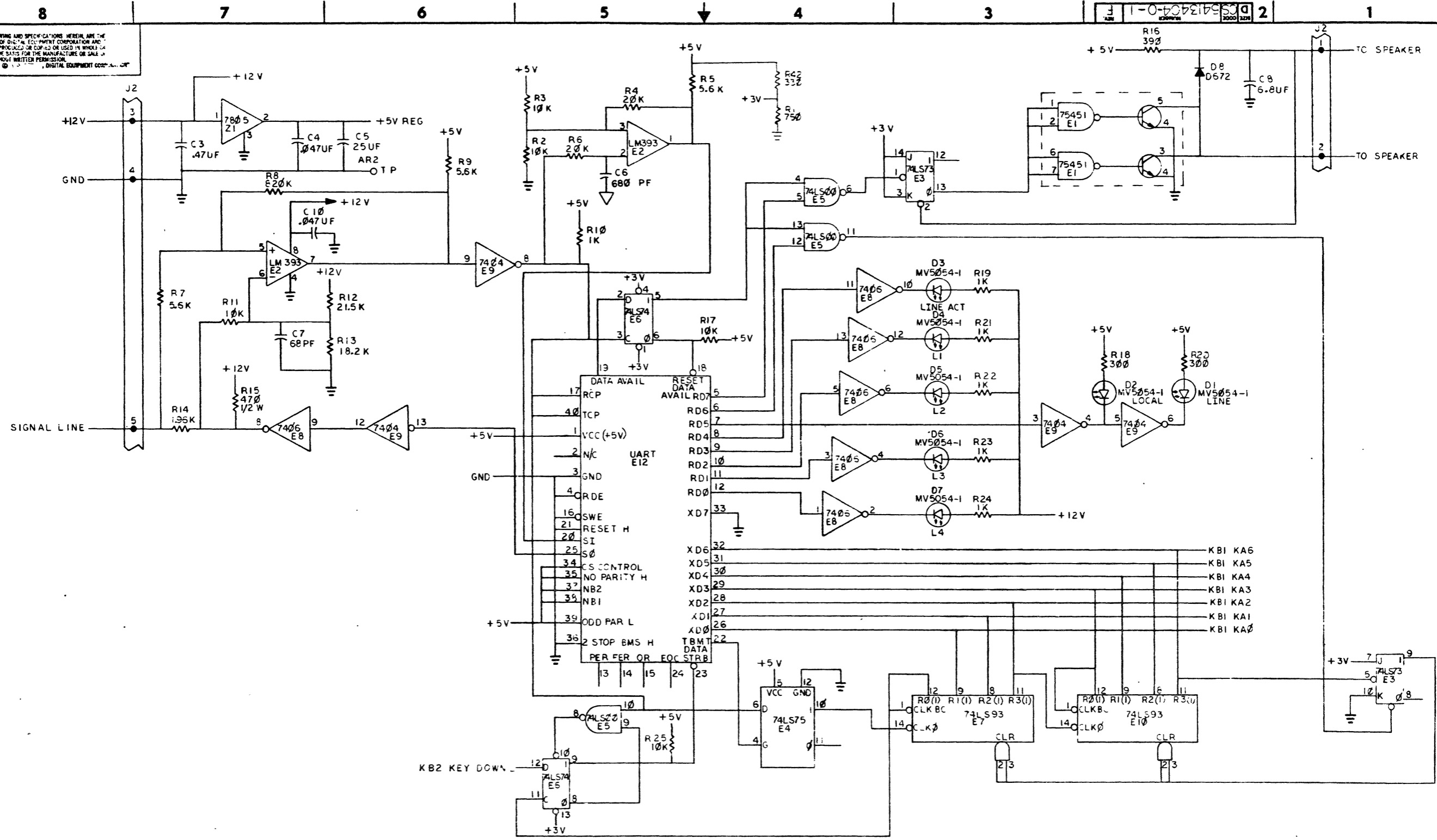
COPYRIGHT (C) 1982. DIGITAL EQUIPMENT CORPORATION

LINE ITEM	DOCUMENT NUMBER	PART NUMBER	DESCRIPTION	QTY PER VARIATION 00	REFERENCE DESIGNATOR
31	31	1912824-00	LS74 FF-D DUAL,EDGE TRIGG	1	E6
32	32	1912844-00	LS151 MUX 1 OF 8 & DATA	1	E14
33	33	1913949-00	LS93 COUNTER,DECADE,4BIT	2	E7,E10
34	34	1913950-00	LS156 DECODER,2 OF 4(DUAL)	2	E11,E13
35	35	1914156-00	LH 393 VOLT.COMPARATOR DUAL	1	E2
36	36	2114137-51	UART MOS N-CHANNEL	1	E12
37	37	7013910-00	KEYBOARD ARRAY ASSY	1	
38	38	7014561-00	18 KEY NUMERIC PAD ASSY	1	
39	39	9606020-01	SCREW,MACH PAN PHIL 6-	1	
40	40	9008185-00	NUT,KEP 6-32X 1/4 AF	1	
41	41	9010033-00	SCREW,TAP PAN PHIL THD CT 4-	7	
42	42	1012312-01	.47 MFD 50V +80-20% CER	1	C3
43	43 SEE NOTE	1000026-00	680.0 MMF 100V 5Z200PPM MICA	1	C6

44 NOTE: 1013466-50 IS AN ALTERNATE PART NUMBER FOR 1000026-00

D	I	G	I	T	A	L	TITLE	SECTION A OF A	SIZE	CODE	DOCUMENT NUMBER	REV
							VT100 FULL KEYBOARD				5413404-0-DBP	J
									K	PL		

THIS DRAWING AND SPECIFICATIONS HEREIN ARE THE PROPERTY OF DIGITAL EQUIPMENT CORPORATION AND NOT BE REPRODUCED OR COPIED OR USED IN WHOLE OR PART AS THE BASIS FOR THE MANUFACTURE OR SALE OF ITEMS WITHOUT WRITTEN PERMISSION. DIGITAL EQUIPMENT CORPORATION, COPYRIGHT © 1977.

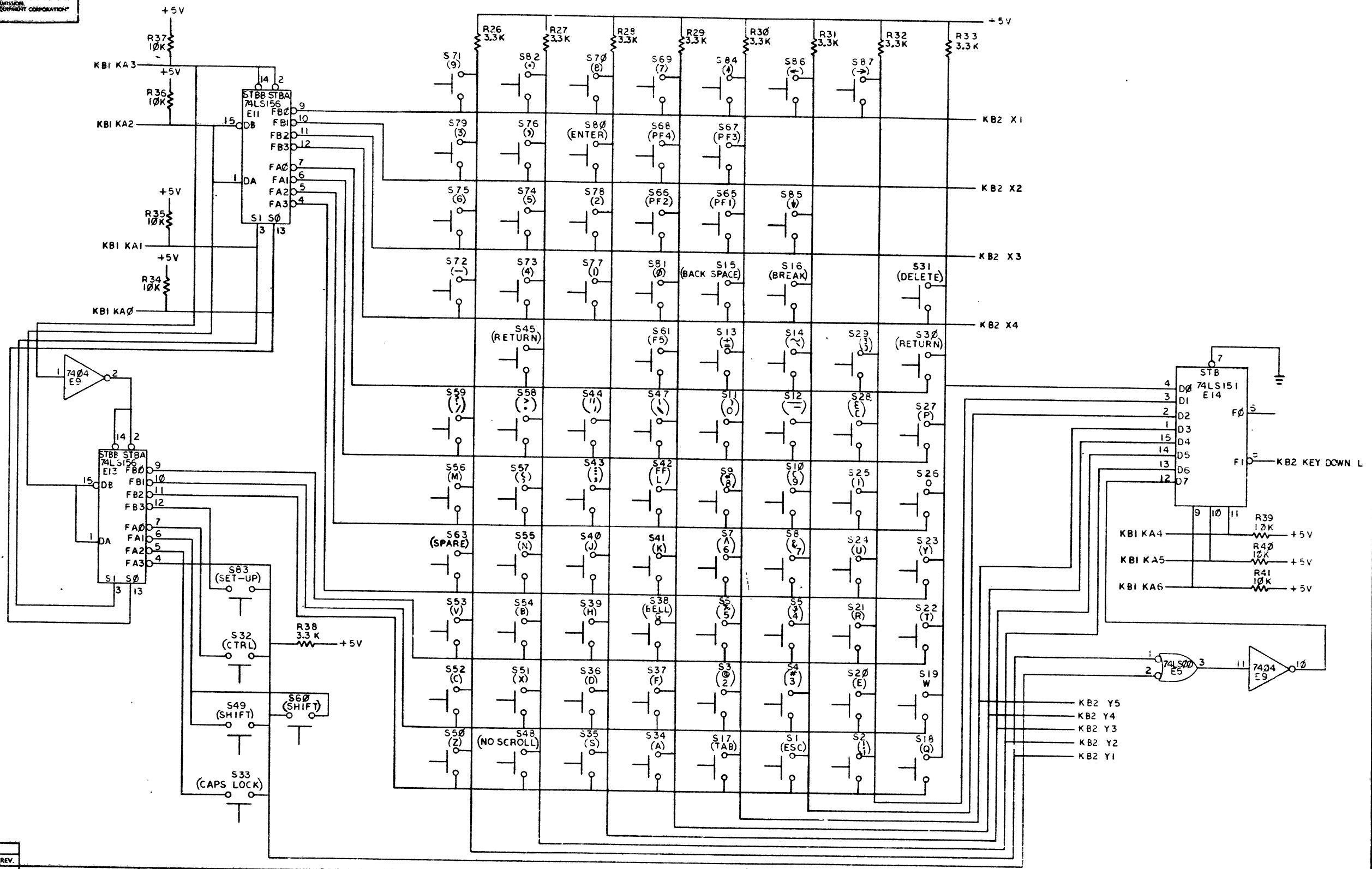


REV.	BY	DATE	DESCRIPTION
1	MLD	12/11/77	INITIAL DESIGN
2	P.NICHOLS	1/11/78	REVISED FOR MANUFACTURE
3	R.PUCI	2/11/78	REVISED FOR MANUFACTURE
4	L.DESUK	3/11/78	REVISED FOR MANUFACTURE
5	MLD	4/11/78	REVISED FOR MANUFACTURE
6	P.NICHOLS	5/11/78	REVISED FOR MANUFACTURE
7	R.PUCI	6/11/78	REVISED FOR MANUFACTURE
8	A. CLARK	7/11/78	REVISED FOR MANUFACTURE

DRN. 7-1-80	2/10/77	FIRST USED ON	VT100 digital
CHK'D		TITLE	VT100 FULL KEYBOARD
ENG. 12/11/77		SCALE	
PROJ. ENG. FOR LET 12.1.77		SHEET	OF 3
PROD. 6/13/78		DIST	
NEXT HIGHER ASSY.		SIZE CODE	
D-DD-5413404-0-0		NUMBER	
SCALE		REV.	
SHEET		DIST	

THIS DRAWING AND SPECIFICATIONS HEREIN ARE THE PROPERTY OF DIGITAL EQUIPMENT CORPORATION AND SHALL NOT BE REPRODUCED OR COPIED OR USED IN WHOLE OR IN PART AS THE BASIS FOR THE MANUFACTURE OR SALE OF ITEMS WITHOUT WRITTEN PERMISSION. COPYRIGHT © 1977 DIGITAL EQUIPMENT CORPORATION.

REV. 1 13404-0-1 DCS 5413404-0-1

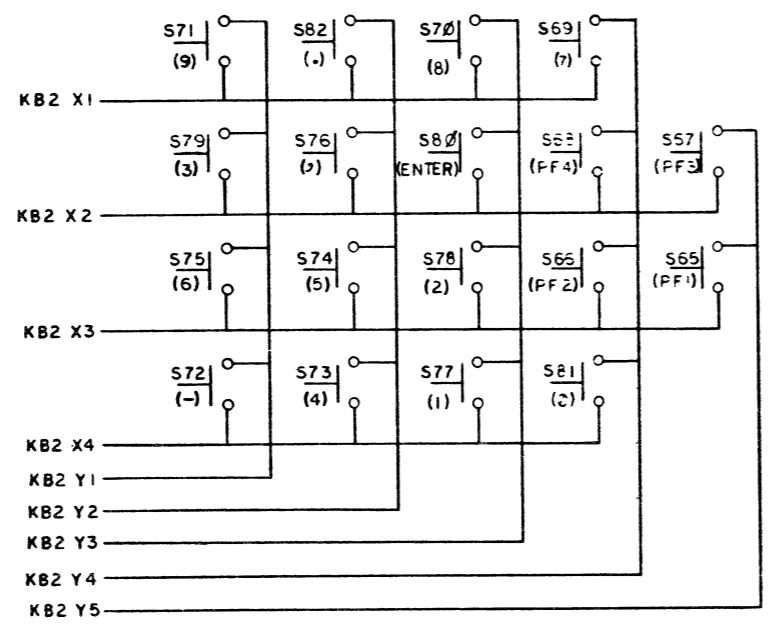


REVISIONS		
CHK	CHANGE NO.	REV.

TITLE	VT100 FULL KEYBOARD (KB2)	SIZE CODE	DCS 5413404-0-1	NUMBER	2	REV.	F
SCALE	1:1	SHEET	2	OF	3	DIST.	

D5413404-0-1

THIS DRAWING AND SPECIFICATIONS, HEREIN, ARE THE PROPERTY OF DIGITAL EQUIPMENT CORPORATION AND SHALL NOT BE REPRODUCED OR COPIED OR USED IN WHOLE OR IN PART AS THE BASIS FOR THE MANUFACTURE OR SALE OF ITEMS WITHOUT WRITTEN PERMISSION. COPYRIGHT © 1977, DIGITAL EQUIPMENT CORPORATION

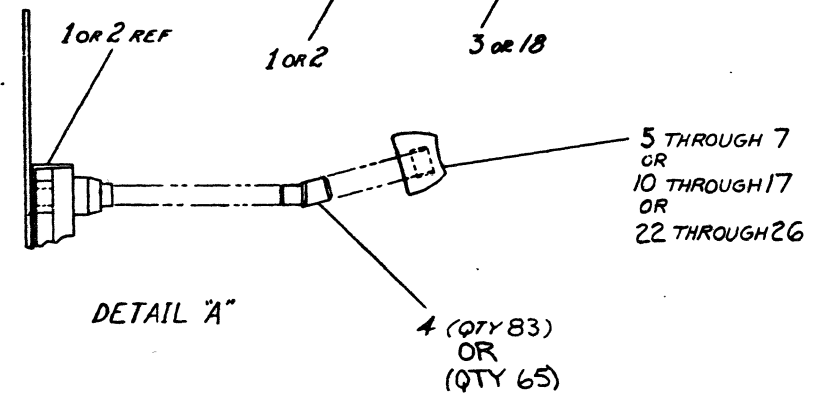
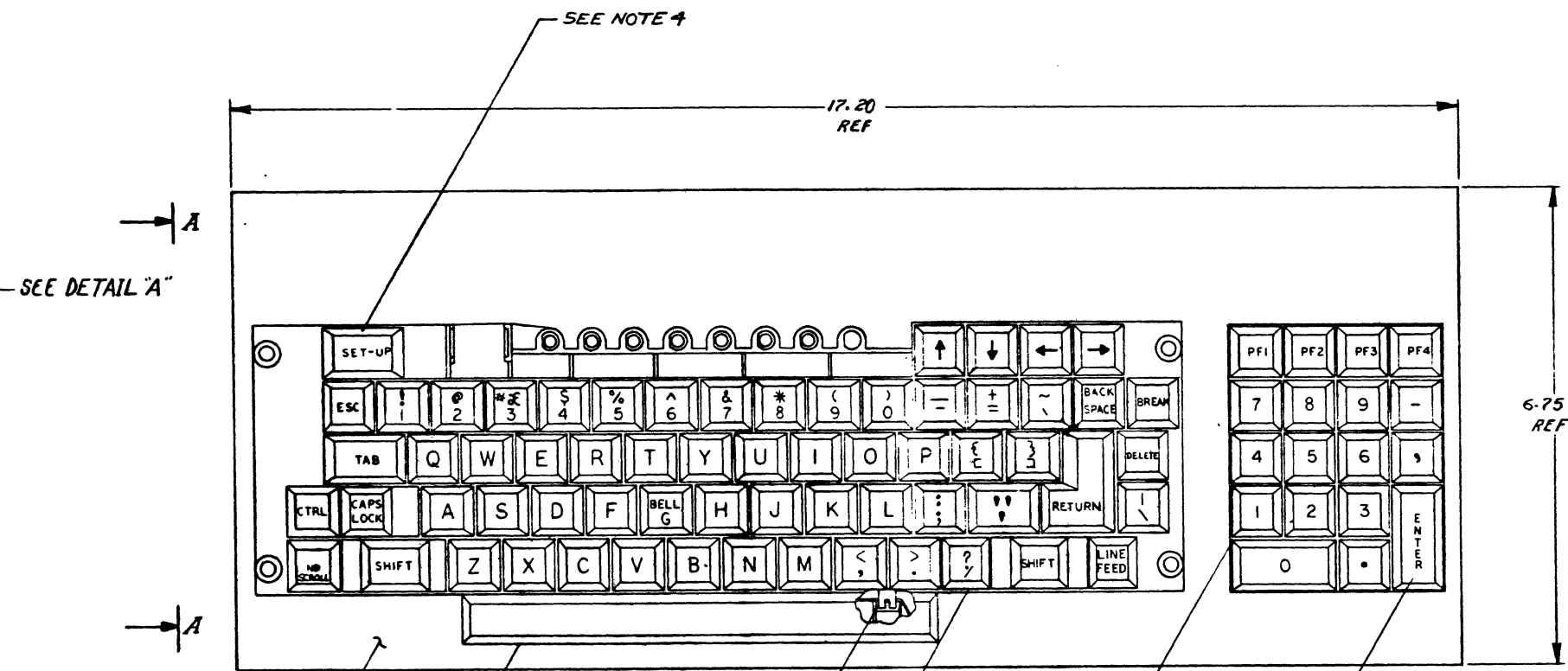
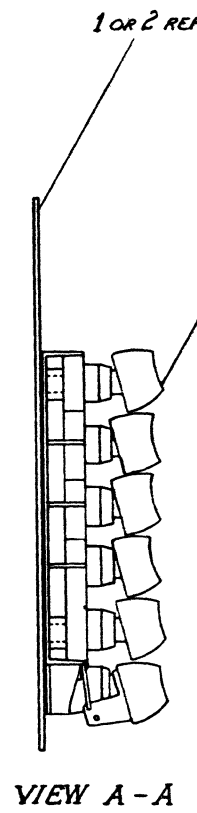


REVISIONS		
CHK	CHANGE NO	REV.

DCS 5413404-0-1 F

THIS DRAWING AND SPECIFICATIONS HEREIN ARE THE PROPERTY OF DIGITAL EQUIPMENT CORPORATION AND SHALL NOT BE REPRODUCED OR COPIED IN WHOLE OR IN PART AS THE BASIS FOR THE MANUFACTURE OR SALE OF ITEMS WITHOUT WRITTEN PERMISSION.  
 COPYRIGHT © 1978 DIGITAL EQUIPMENT CORPORATION

- NOTES:
1. THE NUMERIC KEY PAD IS NOT AVAILABLE ON THE E-UA-5413404-01 VARIATION.
  2. STANDARD VT100 BASIC KEYCAP SET (1214333-72, ITEM 5) AND NUMERIC PAD (1214333-91, ITEM 6) SHOWN. FOR KEYCAP ARRANGEMENTS REFER TO DEC DRAWING NUMBER D-AR-7015765-0-1.
  3. FOR INDIVIDUAL FIELD SERVICE/CUSTOMER SPARE'S SHIPMENTS, USE PACKAGING INSTRUCTIONS A-SP-3700555-0-0; FOR BULK INTERPLANT SHIPMENTS, USE PACKAGING INSTRUCTIONS A-SP-3700439-0-0 VARIATION -00.
  4. INSTALL PLUNGER BELOW THIS KEY ON HOBIS KEYCAP SET 1214333-KZ. ALSO, FOR KEYCAP ARRANGEMENTS REFER TO DEC DRAWING D-AR-7015765-0-1.



- 5 THROUGH 7  
OR  
10 THROUGH 17  
OR  
22 THROUGH 26
- 6  
OR  
17  
OR  
23  
OR  
24

OFFSHEET PARTS LIST EXISTS  
 REFER TO K-PL-7015765-0-DBP

REV.	CHANGE NO.	REVISIONS
A	1	7015765-MLOOL
B	2	7015765-MLOO2
C	3	7015765-MLOO3
D	4	7015765-MLOO4
E	5	7015765-MLOO5
F	6	7015765-MLOO6
G	7	7015765-MLOO7
H	8	7015765-MLOO8
J	9	7015765-MLOO9
K	10	7015765-MLO10
L	11	7015765-MLO11
M	12	7015765-MLO12
N	13	7015765-MLO13
O	14	7015765-MLO14
P	15	7015765-MLO15
Q	16	7015765-MLO16
R	17	7015765-MLO17
S	18	7015765-MLO18
T	19	7015765-MLO19
U	20	7015765-MLO20
V	21	7015765-MLO21
W	22	7015765-MLO22
X	23	7015765-MLO23
Y	24	7015765-MLO24
Z	25	7015765-MLO25
AA	26	7015765-MLO26
AB	27	7015765-MLO27
AC	28	7015765-MLO28
AD	29	7015765-MLO29
AE	30	7015765-MLO30
AF	31	7015765-MLO31
AG	32	7015765-MLO32
AH	33	7015765-MLO33
AI	34	7015765-MLO34
AJ	35	7015765-MLO35
AK	36	7015765-MLO36
AL	37	7015765-MLO37
AM	38	7015765-MLO38
AN	39	7015765-MLO39
AO	40	7015765-MLO40
AP	41	7015765-MLO41
AQ	42	7015765-MLO42
AR	43	7015765-MLO43
AS	44	7015765-MLO44
AT	45	7015765-MLO45
AU	46	7015765-MLO46
AV	47	7015765-MLO47
AW	48	7015765-MLO48
AX	49	7015765-MLO49
AY	50	7015765-MLO50
AZ	51	7015765-MLO51
BA	52	7015765-MLO52
BB	53	7015765-MLO53
BC	54	7015765-MLO54
BD	55	7015765-MLO55
BE	56	7015765-MLO56
BF	57	7015765-MLO57
BG	58	7015765-MLO58
BH	59	7015765-MLO59
BI	60	7015765-MLO60
BJ	61	7015765-MLO61
BK	62	7015765-MLO62
BL	63	7015765-MLO63
BM	64	7015765-MLO64
BN	65	7015765-MLO65
BO	66	7015765-MLO66
BP	67	7015765-MLO67
BQ	68	7015765-MLO68
BR	69	7015765-MLO69
BS	70	7015765-MLO70
BT	71	7015765-MLO71
BU	72	7015765-MLO72
BV	73	7015765-MLO73
BW	74	7015765-MLO74
BX	75	7015765-MLO75
BY	76	7015765-MLO76
BZ	77	7015765-MLO77
CA	78	7015765-MLO78
CB	79	7015765-MLO79
CC	80	7015765-MLO80
CD	81	7015765-MLO81
CE	82	7015765-MLO82
CF	83	7015765-MLO83
CG	84	7015765-MLO84
CH	85	7015765-MLO85
CI	86	7015765-MLO86
CJ	87	7015765-MLO87
CK	88	7015765-MLO88
CL	89	7015765-MLO89
CM	90	7015765-MLO90
CN	91	7015765-MLO91
CO	92	7015765-MLO92
CP	93	7015765-MLO93
CQ	94	7015765-MLO94
CR	95	7015765-MLO95
CS	96	7015765-MLO96
CT	97	7015765-MLO97
CU	98	7015765-MLO98
CV	99	7015765-MLO99
CA	100	7015765-MLO100

QUANTITY & VARIATION	DESCRIPTION	DWG./PART NO.	ITEM NO.
1	KEY BOARD!	7015765-0	1
1	KEY CAP ASSY	7015765-0-C	2

THIRD ANGLE PROJECTION	DRY	FIRST USED ON	digital
REMOVE BURRS AND BREAK SHARP CORNERS	CHK'D	TITLE	KEY BOARD! KEY CAP ASSY
DO NOT SCALE DWG	ENG.	SCALE	NONE
MATERIAL SEE PARTS LIST	PROJ. ENG.	SIZE CODE	D
FINISH NONE	PROD.	NUMBER	7015765-0-C
		REV.	J
		SHEET	1 OF 1
		DIST.	

LINE	ITEM	DOCUMENT NUMBER	PART NUMBER	DESCRIPTION	QUANTITY PER VARIATION												
					00	01	02	03	04	05	06	07	08	09	10	11	
1	1	E-AD-5413404-0-0	5413404-00	VT100 FULL KEYBOARD	1	-	1	1	1	1	1	1	1	1	1	1	1
2	2	E-AD-5413404-0-0	5413404-01	KEYBOARD ASSY (64 KEYS)	-	1	-	-	-	-	-	-	-	-	-	-	-
3	3	C-AD-7015050-0-0	7015050-00	SPACE BAR ASSY	1	1	1	1	1	1	1	1	1	1	1	1	1
4	4		1214332-00	SW, ARRAY CAP ADAPTER	83	83	83	83	83	83	83	83	83	83	83	83	83
5	5		1214333-72	KEYCAP SET, VT100	64PCS	1	1	-	-	-	-	-	-	-	-	-	-
6	6		1214333-91	KEYCAP SET, LA120/34 VT100	18PCS	1	-	-	-	-	-	-	-	-	-	-	-
7	7		1214333-91	KEYCAP SET, LA120/34 VT100	18PCS	1	-	-	-	-	-	-	-	-	-	-	-
8	8		1214333-C0	KEYCAP SET, VT100-NA	82PCS	-	-	1	-	-	-	-	-	-	-	-	-
9	9		7420120-00	*** THIS ITEM IS NOT USED ***	***	-	-	-	-	-	-	-	-	-	-	-	-
10	10	D-AR-7015765-0-1		KEYBOARD/KEYCAP ASSY	REF	REF	REF	REF	REF	REF	REF	REF	REF	REF	REF	REF	REF
11	11		1214333-J0	KEYCAP SET, VT100-WA	82PCS	-	-	-	1	-	-	-	-	-	-	-	-
12	12		1214333-W2	KEYCAP SET, VT132	82PCS	-	-	-	-	1	-	-	-	-	-	-	-
13	13		1214333-CP	KEYCAP SET, VT100-WB	82PCS	-	-	-	-	-	1	-	-	-	-	-	-
14	14		1214333-CB	KEYCAP SET, VT100-WB	82PCS	-	-	-	-	-	-	1	-	-	-	-	-
15	15		1214333-8U	KEYCAP SET, VT100-WB	82PCS	-	-	-	-	-	-	-	1	-	-	-	-
16	16		1214333-EY	KEYCAP SET, VT100-WB	82PCS	-	-	-	-	-	-	-	-	1	-	-	-
17	17		1214333-2Y	KEYCAP SET, VT100	64PCS	-	-	-	-	-	-	-	-	-	1	-	-
18	18		1214333-3W	KEYCAP SET, LA120/34 VT100	18PCS	-	-	-	-	-	-	-	-	-	-	1	-
19	19	D-AD-7015050-0-0	7015050-01	SPACE BAR ASSY. GRAY	-	-	-	-	-	-	-	-	-	-	-	-	-
20	20	A-SP-3700555-0-0	3700555-00	PKG KEYBOARD 7015765	1	1	1	1	1	1	1	1	1	1	1	1	1
21	21	A-SP-3700439-0-0	3700439-00	INSTR PKG. BULK CARTON 99-06476-	1	1	1	1	1	1	1	1	1	1	1	1	1
22	22	C-MD-7424160-0-0	7424160-00	SPACE BAR EQUALIZER CLIP	2	2	2	2	2	2	2	2	2	2	2	2	2
23	23		1214333-WE	KEYCAP SET, VT102/131	64PCS	-	-	-	-	-	-	-	-	-	-	-	1
24	24		1214333-WD	KEYCAP SET, VT102	18PCS	-	-	-	-	-	-	-	-	-	-	-	1
25	25		1214333-WH	KEYCAP SET, VT131	18PCS	-	-	-	-	-	-	-	-	-	-	-	1
26	26		1214333-KZ	*** THIS ITEM IS NOT USED ***	***	-	-	-	-	-	-	-	-	-	-	-	-
			1217800-B6	*** THIS ITEM IS NOT USED ***	***	-	-	-	-	-	-	-	-	-	-	-	-

REVISION HISTORY		BASIC PART NO: 7015765		DRN:	ANGEL COLON	DATE:	3 APR 78	D I G I T A L			
ENG:	ECO NUMBER	REV	SECTION A OF B	CHK'D:	D. HEALY	DATE:	7 APR 78	TITLE			
	INITIAL	F	SECTION. VARIATION INDEX:	DES.ENG.:	E. WEDEKING	DATE:	10 MAY 78	PARTS LIST			
JD	7015765-ML005	F	(A) 00, 01, 02, 03, 04, 05,	RESP.ENG.:	G. DOUMANI	DATE:	17 MAY 7	KEYBOARD/KEYCAP ASSEMBLY			
JD	7015765-ML006	H	05, 07, 08, 09, 10, 11	MFG.ENG.:	K. HOFFMAN	DATE:	10 MAY 78	DOCUMENT NUMBER			
GB	7014653-ML006	J	(B) 12, 13	ASSEMBLY NUMBER:	D-AD-7015765-0-0	TOP DOCUMENT NUMBER:	#B-DD-7015765-0	FILE NAME:	Z1933J.PLS	REV.	J
			(C)								
			(D)								
			(E)								
			(F)								

"THIS DRAWING AND SPECIFICATIONS HEREIN, ARE THE PROPERTY OF DIGITAL EQUIPMENT CORPORATION AND SHALL NOT BE REPRODUCED OR COPIED OR USED IN WHOLE OR IN PART AS THE BASIS FOR THE MANUFACTURE OR SALE OF ITEMS WITHOUT WRITTEN PERMISSION. COPYRIGHT (C) 1982. DIGITAL EQUIPMENT CORPORATION"



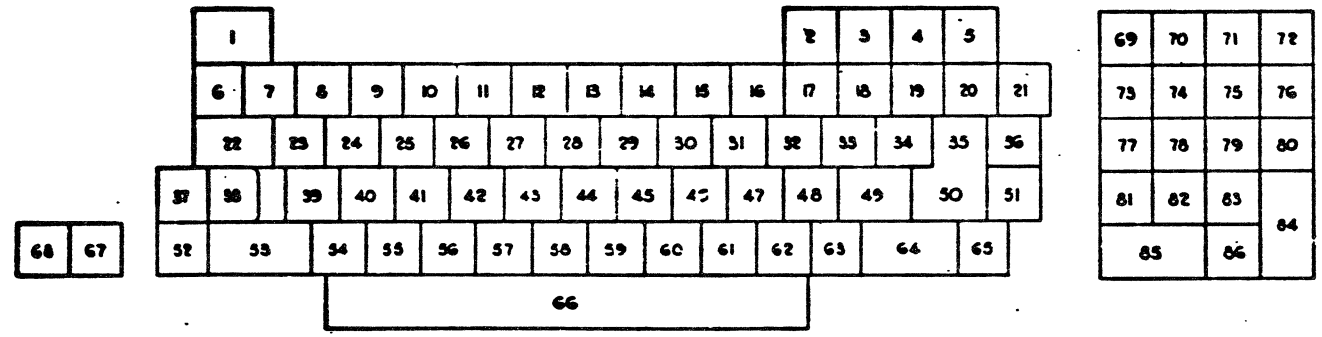
LINE	ITEM	DOCUMENT NUMBER	PART NUMBER	DESCRIPTION	QUANTITY PER VARIATION	
					12	13
1	1	E-AD-5413404-0-0	5413404-00	VT100 FULL KEYBOARD	1	1
2	2	E-AD-5413404-0-0	5413404-01	*** THIS ITEM IS NOT USED ***	-	-
3	3	C-AD-7015050-0-0	7015050-00	SPACE BAR ASSY	1	1
4	4		1214332-00	SW ARRAY CAP ADAPTER	83	83
5	5		1214333-72	*** THIS ITEM IS NOT USED ***	-	-
6	6		1214333-91	*** THIS ITEM IS NOT USED ***	-	-
7	7		1214333-91	*** THIS ITEM IS NOT USED ***	-	-
8	8		1214333-C0	*** THIS ITEM IS NOT USED ***	-	-
9	9		7420120-00	*** THIS ITEM IS NOT USED ***	-	-
10	10	D-AR-7015765-0-1		KEYBOARD/KEYCAP ASSY	REF	REF
11	11		1214333-J0	*** THIS ITEM IS NOT USED ***	-	-
12	12		1214333-W2	*** THIS ITEM IS NOT USED ***	-	-
13	13		1214333-CP	*** THIS ITEM IS NOT USED ***	-	-
14	14		1214333-CB	*** THIS ITEM IS NOT USED ***	-	-
15	15		1214333-8U	*** THIS ITEM IS NOT USED ***	-	-
16	16		1214333-EY	*** THIS ITEM IS NOT USED ***	-	-
17	17		1214333-2Y	*** THIS ITEM IS NOT USED ***	-	-
18	18	D-AD-7015050-0-0	7015050-01	*** THIS ITEM IS NOT USED ***	-	-
19	19	A-SP-3700555-0-0	3700555-00	PKG KEYBOARD 7015765	1	1
20	20	A-SP-3700439-0-0	3700439-00	INSTR PKG. BULK CARTON 99-06476-	1	1
21	21	C-MD-7424160-0-0	7424160-00	SPACE BAR EQUALIZER CLIP	2	2
22	22		1214333-WE	*** THIS ITEM IS NOT USED ***	-	-
23	23		1214333-WD	*** THIS ITEM IS NOT USED ***	-	-
24	24		1214333-WH	*** THIS ITEM IS NOT USED ***	-	-
25	25		1214333-KZ	KEYCAP SET,VT100	19PCS	1
26	26		1217800-B6	KEYCAP SET,VT102-WA	72PCS	1

REVISION HISTORY		BASIC PART NO: 7015765		DRN: ANGEL COLON		DATE: 3 APR 78		DIGITAL	
ENG!	ECO NUMBER	REV	SECTION B OF B	CHK'D:	D. HEALY	DATE:	7 APR 78	TITLE	PARTS LIST
---	INITIAL	F	SECTION. VARIATION INDEX:	DES.ENG.:	E. WEDEKING	DATE:	10 MAY 78	DOCUMENT NUMBER	
JD	7015765-ML005	F	(A) 00,01,02,03,04,05,	RESP.ENG.:	G. DOUMANI	DATE:	17 MAY 7	SIZE:CODE: NUMBER	REV
JD	7015765-ML006	H	06,07,08,09,10,11	MFG.ENG.:	K. HOFFMAN	DATE:	10 MAY 78	K PL 7015765-0-DBP	J
GB	7014653-ML006	J	(B) 12,13	ASSEMBLY NUMBER:	D-AD-7015765-0-0	TOP DOCUMENT NUMBER:	#B-DD-7015765-0	FILE NAME:	Z1933J.PLS
			(C)					EDIT #	10
			(D)						
			(E)						
			(F)						

"THIS DRAWING AND SPECIFICATIONS HEREIN, ARE THE PROPERTY OF DIGITAL EQUIPMENT CORPORATION AND SHALL NOT BE REPRODUCED OR COPIED OR USED IN WHOLE OR IN PART AS THE BASIS FOR THE MANUFACTURE OR SALE OF ITEMS WITHOUT WRITTEN PERMISSION. COPYRIGHT (C) 1982. DIGITAL EQUIPMENT CORPORATION"

THIS DRAWING IS UNCLASSIFIED DATE 01-10-2011 BY 60322 UCBAW/BJS/STP  
 EXPIRES 01-10-2011  
 DATE 01-10-2011 BY 60322 UCBAW/BJS/STP

NOTES:  
 1. EXCEPT AS OTHERWISE NOTED, THE FOLLOWING TABLE (SHEET 2) LISTS VARIATION NUMBERS FOR 124333 (KEYCAPS) INDICATING THE SPECIFIC KEYBOARD POSITION OF EACH AS USED ON VARIOUS MODELS.



KEYBOARD CAP POSITIONS  
 (SEE NOTE 1 & TABLE, SHEET 2)

REV	DATE	BY	DESCRIPTION
1	10/15/55	MAZAK	A
2	11/10/55	PROG 21	B
3	11/10/55	PROG 21	C
4	11/10/55	PROG 21	D
5	11/10/55	PROG 21	E
6	11/10/55	PROG 21	F
7	11/10/55	PROG 21	G
8	11/10/55	PROG 21	H
9	11/10/55	PROG 21	I
10	11/10/55	PROG 21	J
11	11/10/55	PROG 21	K
12	11/10/55	PROG 21	L
13	11/10/55	PROG 21	M
14	11/10/55	PROG 21	N
15	11/10/55	PROG 21	O
16	11/10/55	PROG 21	P
17	11/10/55	PROG 21	Q
18	11/10/55	PROG 21	R
19	11/10/55	PROG 21	S
20	11/10/55	PROG 21	T
21	11/10/55	PROG 21	U
22	11/10/55	PROG 21	V
23	11/10/55	PROG 21	W
24	11/10/55	PROG 21	X
25	11/10/55	PROG 21	Y
26	11/10/55	PROG 21	Z
27	11/10/55	PROG 21	AA
28	11/10/55	PROG 21	AB
29	11/10/55	PROG 21	AC
30	11/10/55	PROG 21	AD
31	11/10/55	PROG 21	AE
32	11/10/55	PROG 21	AF
33	11/10/55	PROG 21	AG
34	11/10/55	PROG 21	AH
35	11/10/55	PROG 21	AI
36	11/10/55	PROG 21	AJ
37	11/10/55	PROG 21	AK
38	11/10/55	PROG 21	AL
39	11/10/55	PROG 21	AM
40	11/10/55	PROG 21	AN
41	11/10/55	PROG 21	AO
42	11/10/55	PROG 21	AP
43	11/10/55	PROG 21	AQ
44	11/10/55	PROG 21	AR
45	11/10/55	PROG 21	AS
46	11/10/55	PROG 21	AT
47	11/10/55	PROG 21	AU
48	11/10/55	PROG 21	AV
49	11/10/55	PROG 21	AW
50	11/10/55	PROG 21	AX
51	11/10/55	PROG 21	AY
52	11/10/55	PROG 21	AZ
53	11/10/55	PROG 21	BA
54	11/10/55	PROG 21	BB
55	11/10/55	PROG 21	BC
56	11/10/55	PROG 21	BD
57	11/10/55	PROG 21	BE
58	11/10/55	PROG 21	BF
59	11/10/55	PROG 21	BG
60	11/10/55	PROG 21	BH
61	11/10/55	PROG 21	BI
62	11/10/55	PROG 21	BJ
63	11/10/55	PROG 21	BK
64	11/10/55	PROG 21	BL
65	11/10/55	PROG 21	BM
66	11/10/55	PROG 21	BN
67	11/10/55	PROG 21	BO

QUANTITY & VARIATION		DESCRIPTION		DWG. PART NO.		ITEM NO.	
UNLESS OTHERWISE SPECIFIED DIMENSIONS ARE IN INCHES		UNLESS OTHERWISE SPECIFIED DIMENSIONS ARE IN INCHES		UNLESS OTHERWISE SPECIFIED DIMENSIONS ARE IN INCHES		UNLESS OTHERWISE SPECIFIED DIMENSIONS ARE IN INCHES	
ANGLE	NO. OF	CLASS OF	ACCURACY	SCALE	UNIT	TYPE	REMARKS
SURFACE	QUALITY	CHECK ONE		SCALE	UNIT	TYPE	REMARKS
FINISH							
THIRD ANGLE PROJECTION		FIRST ANGLE PROJECTION		FIRST ANGLE PROJECTION		FIRST ANGLE PROJECTION	
REMOVE BURRS AND BREAK SHARP CORNERS		DO NOT SCALE DWG		DO NOT SCALE DWG		DO NOT SCALE DWG	
MATERIAL		MATERIAL		MATERIAL		MATERIAL	
FINISH		FINISH		FINISH		FINISH	
DATE		DATE		DATE		DATE	
BY		BY		BY		BY	
CHECKED		CHECKED		CHECKED		CHECKED	
ENGR.		ENGR.		ENGR.		ENGR.	
TITLE		TITLE		TITLE		TITLE	
KEYBD CAP-POSITION ARRANGEMENT		KEYBD CAP-POSITION ARRANGEMENT		KEYBD CAP-POSITION ARRANGEMENT		KEYBD CAP-POSITION ARRANGEMENT	
SCALE		SCALE		SCALE		SCALE	
NUMBER		NUMBER		NUMBER		NUMBER	
REV		REV		REV		REV	
J		J		J		J	
ML9		ML9		ML9		ML9	

KEYCAP VARIATION (1214333-XX) POSITIONS (SEE NOTE 1, SHEET 1)

KEYBOARD CAP-POSITIONS (SEE SHEET 1)	1	2	3	4	5	6	7	8	9	0	11	12	13	14	15	16	17	18	19	20	21	22	23	24	25	26	27	28	29	30	31	32	33	34	35	36	37	38	39	40	41	42	43	44	45	46	47	48	49	50	51	52	53	54	55	56	57	58	59	60	61	62	63	64	65	66	67	68	69	70	71	72	73	74	75	76	77	78	79	80	81	82	83	84	85	86	87	88	89	90	91	92	93	94	95	96	97	98	99	00		
VT100-NAE-WB BASIC (1214333-91)	46	67	68	69	70	47	25	26	27	28	19	10	11	12	13	14	15	16	17	18	19	20	21	22	23	24	25	26	27	28	29	30	31	32	33	34	35	36	37	38	39	40	41	42	43	44	45	46	47	48	49	50	51	52	53	54	55	56	57	58	59	60	61	62	63	64	65	66	67	68	69	70	71	72	73	74	75	76	77	78	79	80	81	82	83	84	85	86	87	88	89	90	91	92	93	94	95	96	97	98	99	00
VT100-NAE-WB BASIC (1214333-91)	46	67	68	69	70	47	25	26	27	28	19	10	11	12	13	14	15	16	17	18	19	20	21	22	23	24	25	26	27	28	29	30	31	32	33	34	35	36	37	38	39	40	41	42	43	44	45	46	47	48	49	50	51	52	53	54	55	56	57	58	59	60	61	62	63	64	65	66	67	68	69	70	71	72	73	74	75	76	77	78	79	80	81	82	83	84	85	86	87	88	89	90	91	92	93	94	95	96	97	98	99	00
VT100-NAE-WB BASIC (1214333-91)	46	67	68	69	70	47	25	26	27	28	19	10	11	12	13	14	15	16	17	18	19	20	21	22	23	24	25	26	27	28	29	30	31	32	33	34	35	36	37	38	39	40	41	42	43	44	45	46	47	48	49	50	51	52	53	54	55	56	57	58	59	60	61	62	63	64	65	66	67	68	69	70	71	72	73	74	75	76	77	78	79	80	81	82	83	84	85	86	87	88	89	90	91	92	93	94	95	96	97	98	99	00
VT100-NAE-WB BASIC (1214333-91)	46	67	68	69	70	47	25	26	27	28	19	10	11	12	13	14	15	16	17	18	19	20	21	22	23	24	25	26	27	28	29	30	31	32	33	34	35	36	37	38	39	40	41	42	43	44	45	46	47	48	49	50	51	52	53	54	55	56	57	58	59	60	61	62	63	64	65	66	67	68	69	70	71	72	73	74	75	76	77	78	79	80	81	82	83	84	85	86	87	88	89	90	91	92	93	94	95	96	97	98	99	00

1217800-88  
1217800-89  
1217800-C1  
1217800-85

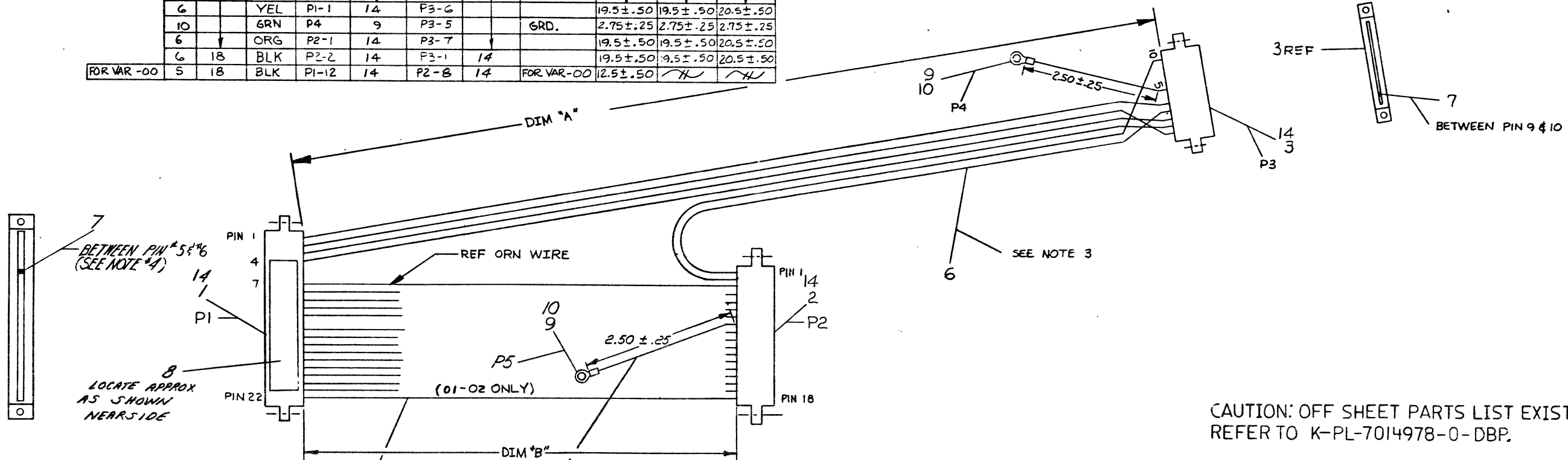
REV	DATE	BY

THIS DRAWING AND SPECIFICATIONS HEREIN ARE THE PROPERTY OF DIGITAL EQUIPMENT CORPORATION AND SHALL NOT BE REPRODUCED OR COPIED OR USED IN WHOLE OR IN PART AS THE BASIS FOR THE MANUFACTURE OR SALE OF ITEMS WITHOUT WRITTEN PERMISSION.  
 COPYRIGHT © 1977, DIGITAL EQUIPMENT CORPORATION

ITEM NO	DESCRIPTION		FROM		TO		REMARKS	PRE-CUT WIRE LG FOR VAR-00	PRE-CUT WIRE LG FOR VAR-01-02-03	PRE-CUT WIRE LG FOR VAR-02
	AWG	COLOR	CONN.	WITH	CONN.	WITH				
5	18	RED	PI-22	14	P2-18	14		12.5 ± .50	2.5 ± .50	4.5 ± .50
		RED	PI-21		P2-7					
		RED	PI-20		P2-6					
		RED	PI-19		P2-5					
		RED	PI-18		P2-14					
		BLK	PI-17		P2-3					
		BLK	PI-16		P2-12					
		BLK	PI-15		P2-11					
		BLK	PI-14		P2-10					
		BLK	PI-13	14	P2-9			12.5 ± .50	12.5 ± .50	4.5 ± .50
10	GRN	P5	9	P2-8			GRD. FOR VAR-01-02-03	2.75 ± .25	2.75 ± .25	2.75 ± .25
5	YEL	PI-11	14	P2-7				12.5 ± .50	12.5 ± .50	4.5 ± .50
		RED	PI-10		P2-6					
		BLUE	PI-9		P2-5					
		BLK	PI-8		P2-4					
5	ORG	PI-7		P2-3				12.5 ± .50	12.5 ± .50	4.5 ± .50
6	WHT	PI-4		P3-9				19.5 ± .50	19.5 ± .50	20.5 ± .50
		GRY	PI-3		P3-8					
		GRN	PI-2		P3-10					
6	YEL	PI-1	14	P3-6				19.5 ± .50	19.5 ± .50	20.5 ± .50
10	GRN	P4	9	P3-5			GRD.	2.75 ± .25	2.75 ± .25	2.75 ± .25
6	ORG	P2-1	14	P3-7				19.5 ± .50	19.5 ± .50	20.5 ± .50
6	18	BLK	P2-2	14	P3-1	14		19.5 ± .50	19.5 ± .50	20.5 ± .50
FOR VAR -00	5	18	BLK	PI-12	14	P2-8	14	FOR VAR-00		

OVER ALL CABLE LG.		
VARIATION	DIM A	DIM B
7014978-00	19.50 ± .50	12.50 ± .50
7014978-01	19.50 ± .50	12.50 ± .50
7014978-02	20.50 ± .50	14.50 ± .50
7014978-03	19.50 ± .50	12.50 ± .50

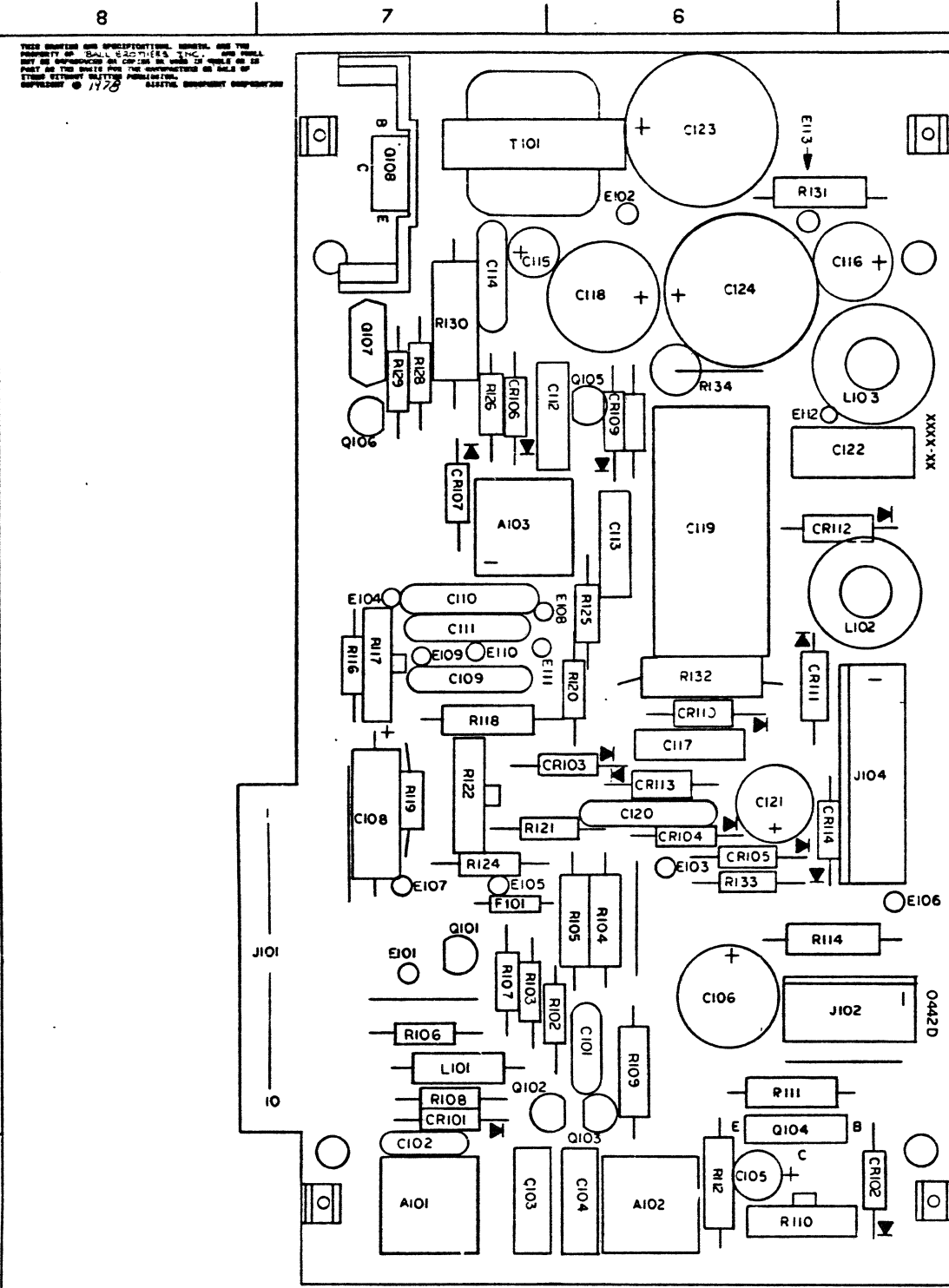
- NOTES:
- IDENTIFICATION: DECAL USING 1/8" CHARACTER HEIGHT AS INDICATED BELOW TO HIGHEST LEVEL OF SUBASSEMBLY SPECIFIED ON PURCHASE ORDER AND LOCATE APPROX. AS SHOWN ON DRAWING.  
 A.) PART NUMBER  
 B.) REVISION  
 C.) VENDOR IDENTIFICATION  
 D.) DATE, CODE
  - ON VARIATION (-01, -02, -03) CUT BACK BLK. WIRE FROM P2-8 TO PI-12 2.5 ± .25 IN. FROM BOTH ENDS.
  - CUT BACK ORN & BLK WIRES OF (ITEM #6) TO 12.5 ± .25 IN.
  - THE KEY PLUG IS ADDED BETWEEN PINS #5 & #6 OF PI FOR VARIATION-03 ONLY.



CAUTION: OFF SHEET PARTS LIST EXISTS REFER TO K-PL-7014978-0-DBP.

REV.	CHANGE NO.	DESCRIPTION
A	1	7014978-MLO01
B	2	7014978-MLO02
C	3	7014978-MLO03
D	4	7014978-MLO04
E	5	7014978-MLO05

QUANTITY & VARIATION	DESCRIPTION	DWG. PART NO.	ITEM NO.
THIRD ANGLE PROJECTION	UNLESS OTHERWISE SPECIFIED DIMENSIONS ARE IN INCHES		
REMOVE BURRS AND BREAK SHARP CORNERS	CLASS OF ACCURACY		
DO NOT SCALE DWG	MICROMETERS		
MATERIAL	DATE	FIRST USED ON	digital
SEE PARTS LIST	TITLE		
FINISH	POWER CABLE ASSY		
	SCALE	SIZE	NUMBER
	NCNE	D	7014978-0-0
	SHEET	OF	DIST.



COPIED BY WRITTEN PERMISSION OF BALL BROTHERS INC.

REF SYM	DESCRIPTION	PART NUMBER
RESISTOR, FIXED, CARBON, 5%, 1/4W UNLESS NOTED		
R101	47	70-16-0470
R102	30	70-16-0300
R103	47	70-16-0470
R104	220, 1/2W	1-011-2254
R105	820, 1/2W	1-011-2268
R106	470	70-16-0471
R107	360	70-16-0361
R108	100K	70-16-1004
R109	180, 1/2W	1-011-2252
R110	VAR; 250 20%, CO VERT HGT	70-89-0251
R111	12, 1/2W	1-011-2224
R112	15; 1/2W	1-011-2228
R113	NOT USED	
R114	1.5K, 1/2W	1-011-2274
R115	NOT USED	
R116	62K	70-16-0623
R117	100K, 20P	1-011-5435
R118	30K, 1/2W	1-011-2305
R119	9.1K	70-16-0912
R120	8.2M	70-16-0825
R121	100K	70-16-0104
R122	VAR; 2.5M 20%, CO FOC ADJ	1-011-5558
R123	NOT USED	
R124	510	70-16-0511
R125	1K	70-16-0102
R126	20K	70-16-0203
R127	3.3K	70-16-0332
R128	15K	70-16-0153
R129	2.4K	70-16-0242
R130	56 10; 3W, W	1-011-2521
R131	1.2; 1/2W, CO	1-011-2520
R132	1.2 10K; 2W, W	1-011-1395
R133	6.8K	70-16-0682
R134	1.8, 2W	1-011-2417
R135	NOT USED	
TRANSFORMER		
T2	HIGH VOLTAGE	6-003-0586
T101	HORIZ DRIVER	1-017-5402
MISCELLANEOUS		
	*CRT SOCKET	1-022-0427
	WIRE STRD GRN	1-038-0345
	HEATSINK	1-015-5059
	WIRE STRD BLU	1-038-0346
	WIRE STRD RED	1-038-0342
	CONTACT, FEMALE 6, 2	1-034-0362
	MONITOR 6-32X1/4	3-011-0310
	MT 6-32	3-012-0161
	LX WSR #6	3-013-0160
	PWB	1-029-0442
	CONTACT, MALE	1-034-0295
	CONN SHELL, 1 CONT FEMALE	1-034-0323
WIRE TERMINATION DATA		
E103	CRT SOCKET YEL LEAD	
E105	CRT SOCKET BRN LEAD	
E107	CRT SOCKET BLK LEAD	
E108	CRT SOCKET RED LEAD	
E109	CRT SOCKET WHT LEAD	
E110	GRN WIRE 6.5 INCHES	
E112	CRT SOCKET GRN LEAD	
E113	BLU WIRE, 10 INCHES	
E113	RED WIRE, 10 INCHES	

- NOTES:
- REFERENCE SCHEMATIC 1-024-0603
  - ALL REFERENCE SYMBOL NUMBERS 1 TO 99 ARE USED FOR ALL OFF BOARD COMPONENTS AND NUMBERS 100 TO 999 ARE USED FOR THE PWA COMPONENTS.
  - ALL PWA COMPONENTS PRECEDED WITH AN ASTERISK ARE NOT PART OF THE BASIC BOARD 6-200-0001.

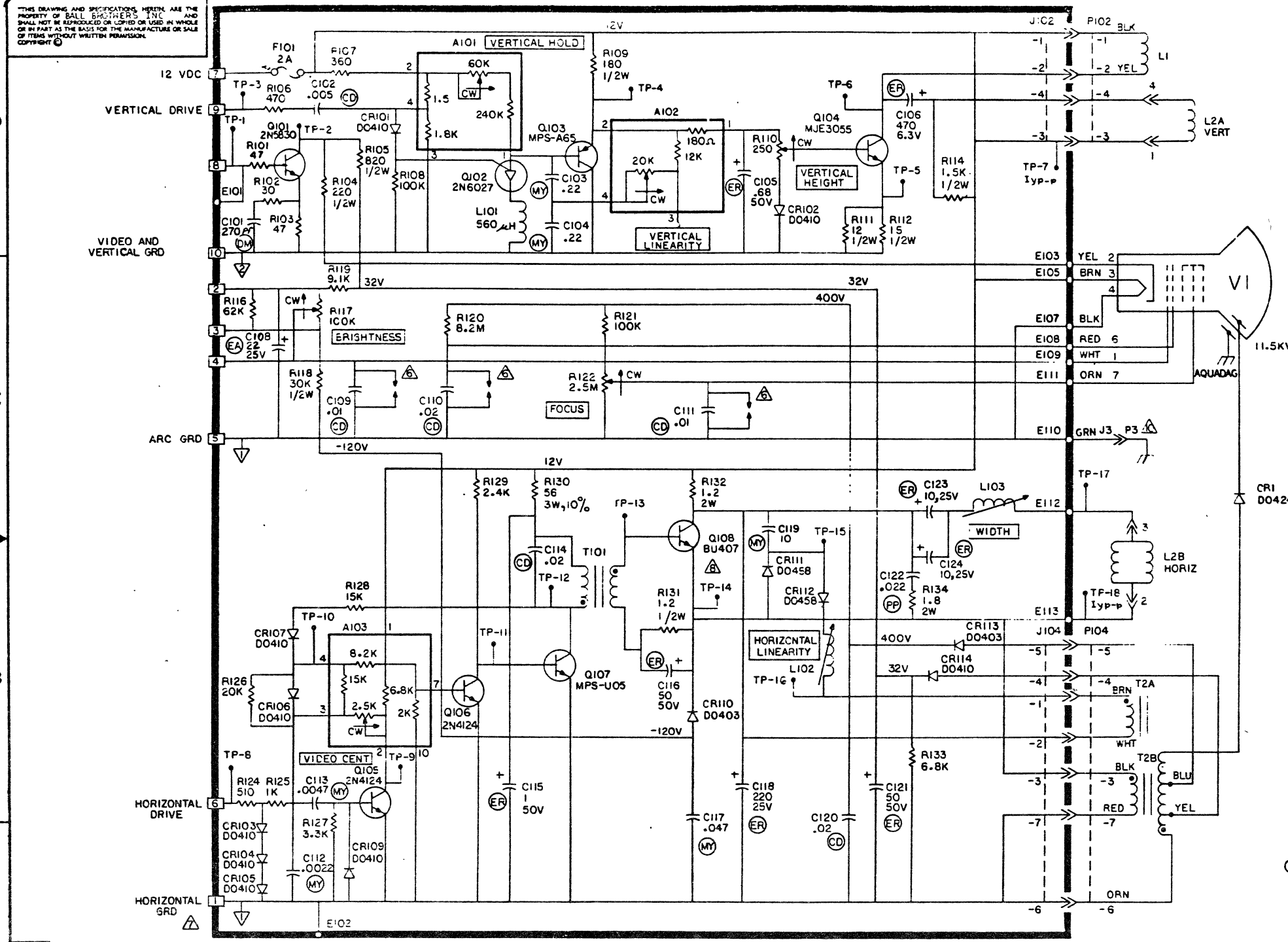
PARTS LIST, TVX 120 DEC		
REF SYM	DESCRIPTION	PART NUMBER
A101	RES TRIM, 60K, VERT HOLD	1-011-8008
A102	RES TRIM, 20K, VERT LIN	1-011-8005
A103	RES TRIM, 2.5K, VIDED CENTER	1-011-8001
CAPACITOR, FIXED, UF UNLESS NOTED		
C101	270PF 5%, 500V, DM	1-012-0398
C102	.005 20%, 100V, CO	10-12-7508
C103	.22 10%, 100V, MY	1-012-2277
C104	.22 10%, 100V, MY	1-012-2277
C105	.68, 50V, E	1-012-2268
C106	470, 6.3V, E	1-012-2158
C107	NOT USED	
C108	22, 25V, E	1-012-1340
C109	.01 20%, 1000V, CO	1-012-2214
C110	.02 20%, 1000V, CO	1-012-2217
C111	.01 20%, 1000V, CO	1-012-2214
C112	.0022 10%, 630V, MY	1-012-2254
C113	.0047 20%, 630V, MY	1-012-2279
C114	.02 20%, 100V, CO	10-12-7209
C115	1, 50V, E	1-012-2189
C116	50, 50V, E	1-012-2157
C117	.047 20%, 250V, MY	1-012-2248
C118	220, 25V, E	1-012-2159
C119	10 10%, 100V, MY	1-012-2255
C120	.02 20%, 500V, CO	1-012-0780
C121	50, 50V, E	1-012-2157
C122	.022 10%, 250V, PP	1-012-2297
C123	10, 25V, ER	1-012-2273
C124	10, 28V, ER	1-012-2273
DIODE		
CR1	00424	1-021-0424
CR101	00410	1-021-0410
CR102	00410	1-021-0410
CR103	00410	1-021-0410
CR104	00410	1-021-0410
CR105	00410	1-021-0410
CR106	00410	1-021-0410
CR107	00410	1-021-0410
CR108	NOT USED	
CR109	00410	1-021-0410
CR110	00403	1-021-0403
CR111	00458	1-021-0458
CR112	00458	1-021-0458
CR113	00403	1-021-0403
CR114	00410	1-021-0410
FUSE		
F101	2A-125V P100	1-028-0247
CONNECTORS		
J102	CONNECTOR, 4 PIN MALE	1-039-0146
J102	NOT USED	
J104	CONNECTOR, 7 PIN MALE	1-039-0145
COIL		
L1	VERTICAL CHOKE	6-003-0572
L2	DEFLECTION, TVX 120/12V	1-023-0246
L101	580UH	1-016-0302
L102	LINEARITY	1-016-0328
L103	WIDTH	1-016-0303
TRANSISTOR		
Q101	2N5830	1-015-1172
Q102	2N5027	1-015-1157
Q103	MPS-A65	1-015-1186
Q104	MJE3055	1-015-1156
Q105	2N4124	1-015-1139
Q106	2N4124	1-015-1139
Q107	MPS-U05	1-015-1159
Q108	8A407	1-015-1210

- NOTES:
- FLYBACK TRANSFORMER REPLACEMENT 3014590-01
  - PRINTED CIRCUIT BOARD REPLACEMENT 3214590-02

CHK	CHANGE NO	REV

SIGNATURES		DATE	digital
DRN.	<i>[Signature]</i>	8-78	
CHK'D.	<i>[Signature]</i>	6-78	
ENG.	<i>[Signature]</i>	12-5-77	
PROJ. ENG.	<i>[Signature]</i>	12-6-78	
PROD.			
SCALE		SIZE CODE	NUMBER
SHT. OF 2		0 CS	3014590-0-1
ETCH REV.			
P.C. DESIGN DATA BRISE REV.			

THIS DRAWING AND SPECIFICATIONS HEREIN ARE THE PROPERTY OF BALL BROTHERS INC. AND SHALL NOT BE REPRODUCED OR COPIED OR USED IN WHOLE OR IN PART AS THE BASIS FOR THE MANUFACTURE OR SALE OF ITEMS WITHOUT WRITTEN PERMISSION. COPYRIGHT ©



- GENERAL NOTES: UNLESS OTHERWISE SPECIFIED
1. ALL RESISTORS 1/4W, 5%, VALUE IN OHMS.
  2. ALL CAPACITOR VALUES IN MICROFARADS. FOR CAPACITOR TYPES, SEE NOTE NO. 9.
  3. □ DENOTES J101 PC CARD EDGE CONNECTOR.
  4. → DENOTES CONNECTION TO OFF BOARD COMPONENTS.
  5. REFERENCE DESIGNATIONS NOT USED: J103, C107, CR108, R101, R113, R115, R123  
LAST REFERENCE DESIGNATION USED: R134, C124
  6. PROTECTIVE ARC GAPS ARE AN INTEGRAL PART OF PRINTED WIRE BOARD.
  7. THE PWB CIRCUIT GROUNDS ARE BROUGHT OUT SEPARATELY TO PINS 1, 5 AND 10 OF J101. PWB CIRCUIT GROUNDS FOR PINS 1 AND 5 OF J101 ARE CONNECTED TOGETHER BY A JUMPER WIRE ON THE BOARD AND ARE CONNECTED TO CHASSIS GROUND VIA A WIRE FROM E110.
  8. DENOTES HEATSINK
  9. (DM) = DIPPED MICA  
(CD) = CERAMIC DISC  
(MY) = MYLAR  
(EA) = ELECTROLYTIC AXIAL  
(ER) = ELECTROLYTIC RADIAL  
(PP) = POLYPROPYLENE  
△ GROUNDED TO AQUADAG ( BY SPRING

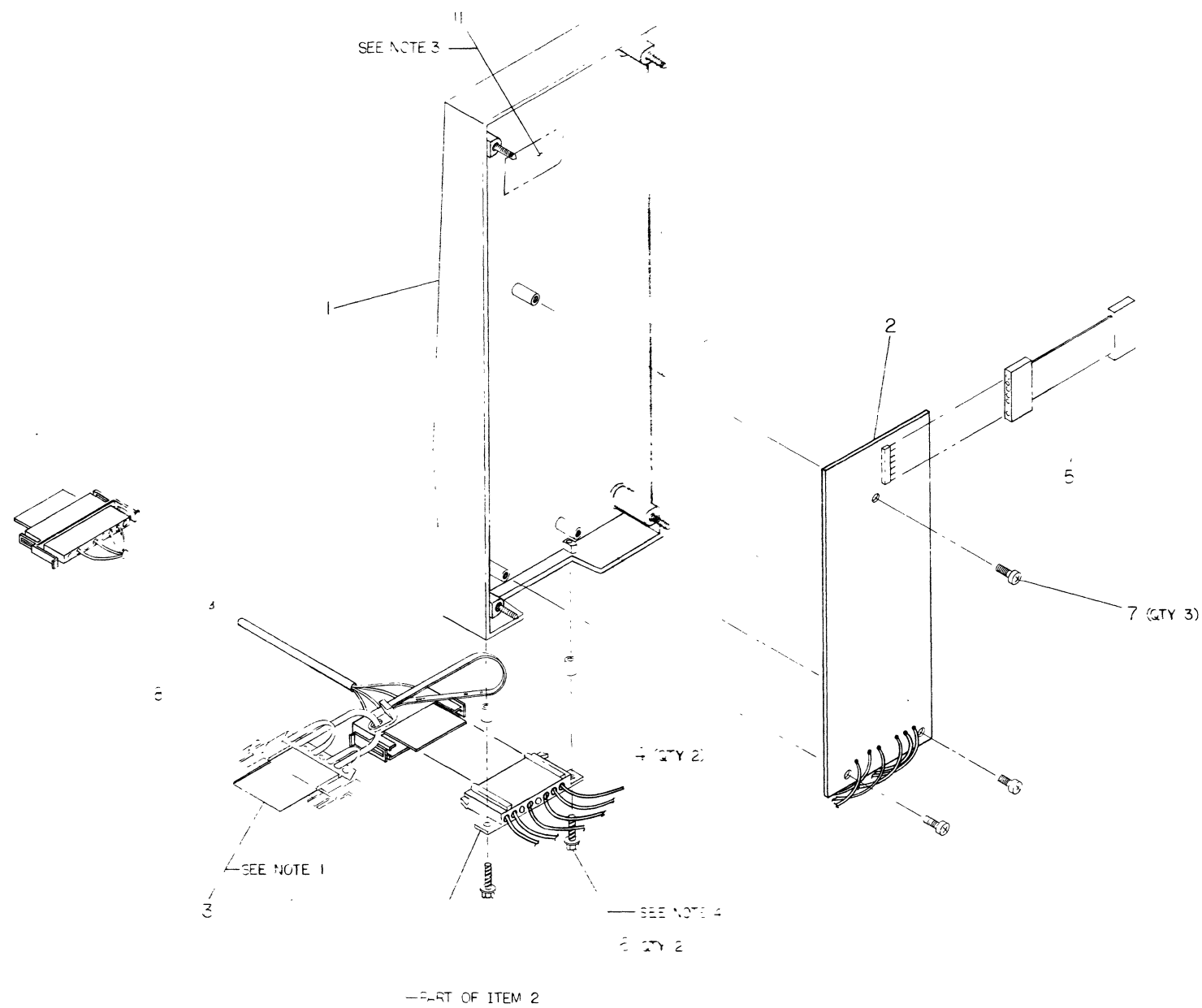
COPIED BY WRITTEN PERMISSION OF BALL BROS.

REV.	CHANGE NO.

DRN. <i>Wm. D. King</i> 7/20/58	FIRST USED ON
CHKD. <i>H. B. King</i>	VT100
ENG. <i>H. B. King</i> 12-6-58	TITLE
PROJ. ENG. <i>H. B. King</i> 12-6-58	SCHEMATIC
PROD.	TVX120/DEC
NEXT HIGHER ASSY.	12 VOLT
E-UA-VT100-0-0	SIZE CODE
SCALE NONE	NUMBER
SHEET 2 OF 2	DIST.

THIS DRAWING AND SPECIFICATIONS, HEREIN, ARE THE PROPERTY OF MILCO COMPANY. NO PART THEREOF SHALL BE REPRODUCED OR COPIED IN WHOLE OR IN PART WITHOUT THE WRITTEN PERMISSION OF MILCO COMPANY. © 1978 MILCO COMPANY

- NOTES:
1. INSERT CONN. (ITEM 3) INTO CONN. OF (ITEM 2) FOR TESTING OPTION.
  2. PACKAGING: WHEN SHIPPED, MATERIAL SHALL BE ADEQUATELY PROTECTED FROM HANDLING AND SHIPPING DAMAGE USING DIGITAL PACKAGING INSTRUCTION 4-SP-77C0538-00
  3. LOCATE APPROX. AS SHOWN ON DWG.
  4. TORQUE (ITEM 6) TO 6.0 IN-LBS ± .5 IN-LBS.
  5. TORQUE (ITEM 7) TO 8.0 IN-LBS ± .5 IN-LBS.



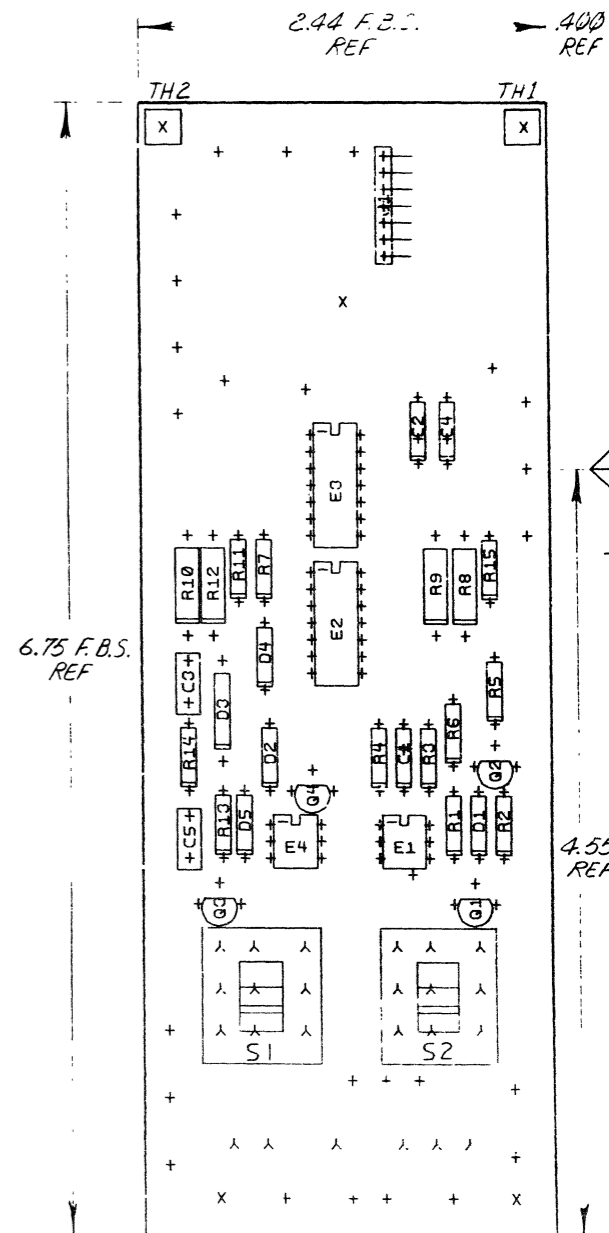
CAUTION: OFF SHEET PARTS LIST EXISTS.  
REFER TO K-PL-VT1XX-AA-DBP

REV	CHANGE NO.	BY	DATE
1		VT1XX-AA-MILCO	
2		VT1XX-AA-MILCO	
3		VT1XX-AA-MILCO	
4		VT1XX-AA-MILCO	
5		VT1XX-AA-MILCO	
6		VT1XX-AA-MILCO	
7		VT1XX-AA-MILCO	
8		VT1XX-AA-MILCO	
9		VT1XX-AA-MILCO	
10		VT1XX-AA-MILCO	
11		VT1XX-AA-MILCO	
12		VT1XX-AA-MILCO	
13		VT1XX-AA-MILCO	
14		VT1XX-AA-MILCO	
15		VT1XX-AA-MILCO	
16		VT1XX-AA-MILCO	
17		VT1XX-AA-MILCO	
18		VT1XX-AA-MILCO	
19		VT1XX-AA-MILCO	
20		VT1XX-AA-MILCO	
21		VT1XX-AA-MILCO	
22		VT1XX-AA-MILCO	
23		VT1XX-AA-MILCO	
24		VT1XX-AA-MILCO	
25		VT1XX-AA-MILCO	
26		VT1XX-AA-MILCO	
27		VT1XX-AA-MILCO	
28		VT1XX-AA-MILCO	
29		VT1XX-AA-MILCO	
30		VT1XX-AA-MILCO	
31		VT1XX-AA-MILCO	
32		VT1XX-AA-MILCO	
33		VT1XX-AA-MILCO	
34		VT1XX-AA-MILCO	
35		VT1XX-AA-MILCO	
36		VT1XX-AA-MILCO	
37		VT1XX-AA-MILCO	
38		VT1XX-AA-MILCO	
39		VT1XX-AA-MILCO	
40		VT1XX-AA-MILCO	
41		VT1XX-AA-MILCO	
42		VT1XX-AA-MILCO	
43		VT1XX-AA-MILCO	
44		VT1XX-AA-MILCO	
45		VT1XX-AA-MILCO	
46		VT1XX-AA-MILCO	
47		VT1XX-AA-MILCO	
48		VT1XX-AA-MILCO	
49		VT1XX-AA-MILCO	
50		VT1XX-AA-MILCO	

THIRD ANGLE PROJECTION		DESCRIPTION		DWG. PART NO.	ITEM NO.
UNLESS OTHERWISE SPECIFIED DIMENSIONS ARE IN INCHES		CLASS OF ACCURACY		NORMAL DIMENSION RANGE IN INCHES	
ANGLES 90°		CHECK DIMS		OVER 0 TO 1.25	
SURFACE QUALITY IN MICRONS		PREFERRED		1.25 TO 2.50	
QUANTITY & VARIATION		MEDIUM		2.50 TO 4.00	
DO NOT SCALE DWG		NEXT HIGHER ASSY.		4.00 TO 6.00	
MATERIAL SEE PARTS LIST		E-00-VT1XX-AA		6.00 TO 12.00	
SCALE 1/1		SIZE DDD		12.00 TO 24.00	
SHEET		OF		DST.	
CHD		PROL. ENG.		FIRST USED ON	
END		PROD.		V-122	
REMOVE BURRS AND BREAK SHARP CORNERS		TITLE		CURRENT LOOP OPTION	
DO NOT SCALE DWG		E-00-VT1XX-AA		REV. B	
MATERIAL SEE PARTS LIST		SCALE 1/1		SHEET	
SHEET		OF		DST.	

THIS DRAWING AND SPECIFICATIONS, HEREIN, ARE THE PROPERTY OF DIGITAL EQUIPMENT CORPORATION AND SHALL NOT BE REPRODUCED OR COPIED IN WHOLE OR IN PART FOR THE BASIS FOR THE MANUFACTURE OR SALE OF ITEMS WITHOUT WRITTEN PERMISSION. COPYRIGHT © 1980 DIGITAL EQUIPMENT CORPORATION

COMPONENT SIDE VIEW



NOTES:

STEP E	→ Y AXIS	STEP 0	TIMES
REPRT	→ X AXIS	2.750/2.5/2.750	

CHANGE NO	REV	DATE	BY
543206-PN000	C		
REVISED & REDRAWN			
J. DEMARINIS			

ETCH REV. D
-------------

SIGNATURES	DATE	TITLE
DRN. V. PARECHANIAN	11-77	digital
CHK. D. M. MORTENSEN	11-77	
MECH. ENG. M. MORTENSEN	4-78	
PROJ. ENG. N. FORRESTER	5-78	
PROD. R. PUCCI	6-78	20 MA ADAPTER
SCALE 2/1	SIZE	NUMBER
SHT. 1 OF 1	DUA	
NEXT HIGHER ASSY. B-DD-5413206-0		

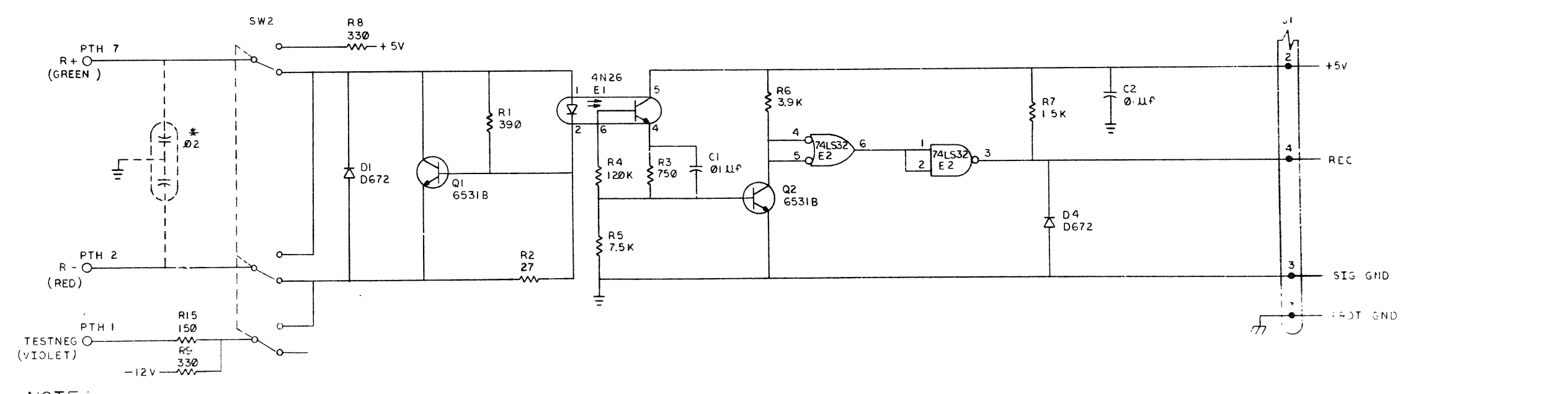
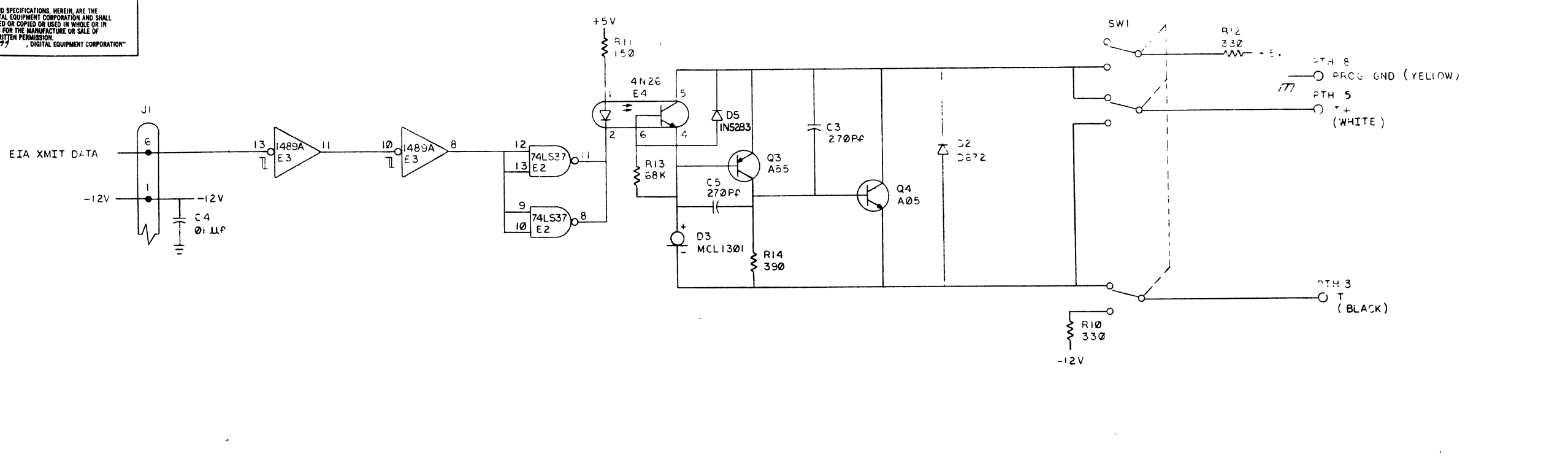


LINE	ITEM	DOCUMENT NUMBER	PART NUMBER	DESCRIPTION	QTY	PER VARIATION	REFERENCE DESIGNATOR
					00		
1	1	D-MD-5013205-0-0	5013205-00	ETCH BOARD FOR 5413206	1		
2	2		1000022-00	270.0 MMF 100V 5%200PPM MICA	2		C3,C5
3	3		1001610-00	.01 MFD 50V +80-20% 250 CER	3		C1,C2,C4
4	4		1105275-00	D 672 TR= 15NS PIV= 60V SI	3		D1,D2,D4
5	5		1105610-00	MCL1301 CL@1MA FROM10-80V	1		D3
6	6		1215048-01	CONN 7POS RT ANGLE	1		J1
7	7		1215089-00	SW,SLIDE 3P 1A DBLE THROW	2		S1,S2
8	8		1301522-00	27.0 .25 W 5.0 % CC	1		R2
9	9		1300250-00	150.0 .25 W 5.0 % CC	2		R11,R15
10	10		1300296-00	330.0 .50 W 5.0 % CC	4		R8,R9,R10,R12
11	11		1300309-00	390.0 .25 W 5.0 % CC	2		R1,R14
12	12		1300391-00	1.50 K .25 W 5.0 % CC	1		R7
13	13		1300444-00	3.90 K .25 W 5.0 % CC	1		R6
14	14		1300539-00	120.0 K .25 W 5.0 % CC	1		R4
15	15		1301327-00	68.0 K .25 W 5.0 % CC	1		R13
16	16		1301401-00	750.0 .25 W 5.0 % CC	1		R3
17	17		1301422-00	7.50 K .25 W 5.0 % CC	1		R5
18	18		1509338-00	DEC6531B NPN 310MW SI 40 90 P	2		Q1,Q2
19	19		1510705-00	XA 05 NPN 500MW SI 60 50 P	1		Q4
20	20		1510706-00	XA 55 PNP 500MW SI 60 50 P	1		Q3
21	21		1916959-00	POTOTRANSISIOR	2		E1,E4
22	22		1912817-00	LS37 NAND GATE=QUAD 2IN,P	1		E2
23	23		1913130-00	DEC 1489A RECEIVER,LINE,QUAD,	1		E3
24	24		1113003-00	IN 5282 PIV=55 I=500M D035	1		D5

REVISION HISTORY			BASIC PART NO: 5413206			D I G I T A L		
ENG	ECO NUMBER	REV	SECTION A OF A	DRN:	T. SHETRAWSKI	DATE:	30-MAR-78	
---	INIT	B	SECTION VARIATION INDEX	CHK'D:	T. SHETRAWSKI	DATE:	30-MAR-78	TITLE
1B	5413206-PN001	C	[A] 00					PARTS LIST
			[B]					20 MA ADAPTER
			[C]	DES.ENG:	M. MORGENSTERN	DATE:	30-MAR-78	
			[D]					DOCUMENT NUMBER
			[E]	RESP.ENG.:	M. MORGENSTERN	DATE:	30-MAR-78	
			[F]					SIZE CODE NUMBER REV
			[G]					
			[H]	MFG.ENG.:	T. CORCIARI	DATE:	30-MAR-78	K PL 5413206-0-DBP C
			[I]					
			[J]	ASSEMBLY NUMBER:		TOP DOCUMENT NUMBER:		FILE NAME: EDIT #
			[K]	D-UA-5413206-0-0		IV1100		13206C.PLS 6
			[L]					
			[M]					
			[N]					

"THIS DRAWING AND SPECIFICATIONS HEREIN, ARE THE PROPERTY OF DIGITAL EQUIPMENT CORPORATION AND SHALL NOT BE REPRODUCED OR COPIED OR USED IN WHOLE OR IN PART AS THE BASIS FOR THE MANUFACTURE OR SALE OF ITEMS WITHOUT WRITTEN PERMISSION, COPYRIGHT (C) 1980, DIGITAL EQUIPMENT CORPORATION"

THIS DRAWING AND SPECIFICATIONS, HEREIN, ARE THE PROPERTY OF DIGITAL EQUIPMENT CORPORATION AND SHALL NOT BE REPRODUCED OR COPIED OR USED IN WHOLE OR IN PART AS THE BASIS FOR THE MANUFACTURE OR SALE OF ITEMS WITHOUT WRITTEN PERMISSION.  
 © 1977, DIGITAL EQUIPMENT CORPORATION



NOTE  
 1 \* OPTIONAL

REV.	CHG	NO.	DATE	BY
C	5413206-PIN001		9/18/80	J. DEMARINIS

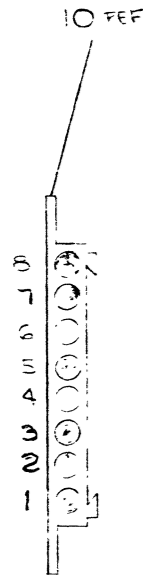
DRN	VT:03	FIRST USED ON	digital
CHK'D		TITLE	28 MA ADAPTOR
ENG			
PROJ. ENG.			
PROD			
NEXT HIGHER ASSY.			
D-UA-5413206-C-1	SIZE CODE	NUMBER	REV.
SCALE	D	CS 5413206-C-1	C
SHEET	OF	DIST.	

"THIS DRAWING AND SPECIFICATIONS, HEREIN, ARE THE PROPERTY OF DIGITAL EQUIPMENT CORPORATION AND SHALL NOT BE REPRODUCED OR COPIED OR USED IN WHOLE OR IN PART AS THE BASIS FOR THE MANUFACTURE OR SALE OF ITEMS WITHOUT WRITTEN PERMISSION OF DIGITAL EQUIPMENT CORPORATION"

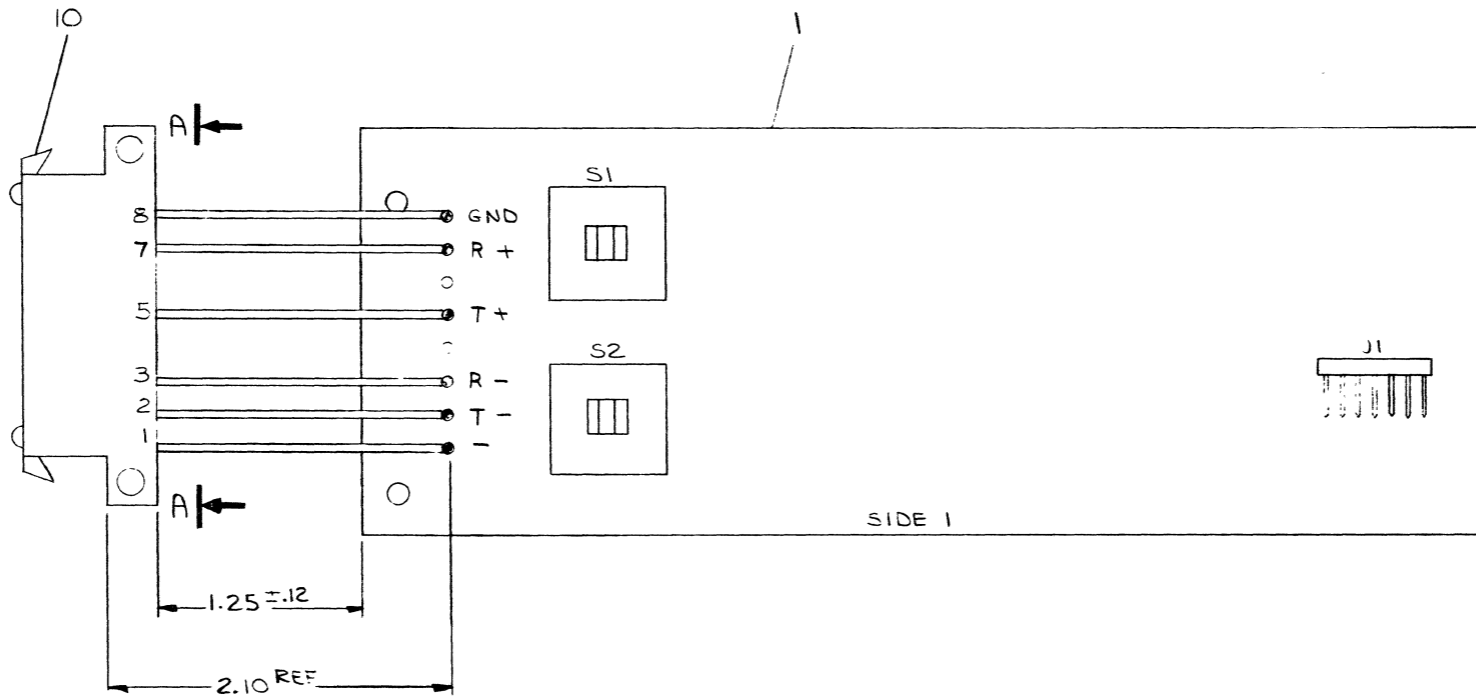
NOTES:

1. FOR INDIVIDUAL FIELD SERVICE / CUSTOMER SPARES SHIPMENTS USE PACKAGING INSTRUCTIONS A-SP-3700550-0-0. FOR BULK INTERPLANT SHIPMENTS USE PACKAGING INSTRUCTIONS A-SP-3700429-3-0, VARIATION-03

WIRE TABLE							
ITEM NO.	AWG	COLOR	FROM		TO		REMARKS
			CONN	WITH	CONN	WITH	
10	22	YELLOW	PIN 8		ITEM 1 GND		
		GREEN	7		R+		
		WHITE	5		T+		
		RED	3		R-		
		BLACK	2		T-		
10	22	VIOLET	PIN 1		ITEM 1 -		



VIEW A-A (REAR VIEW)



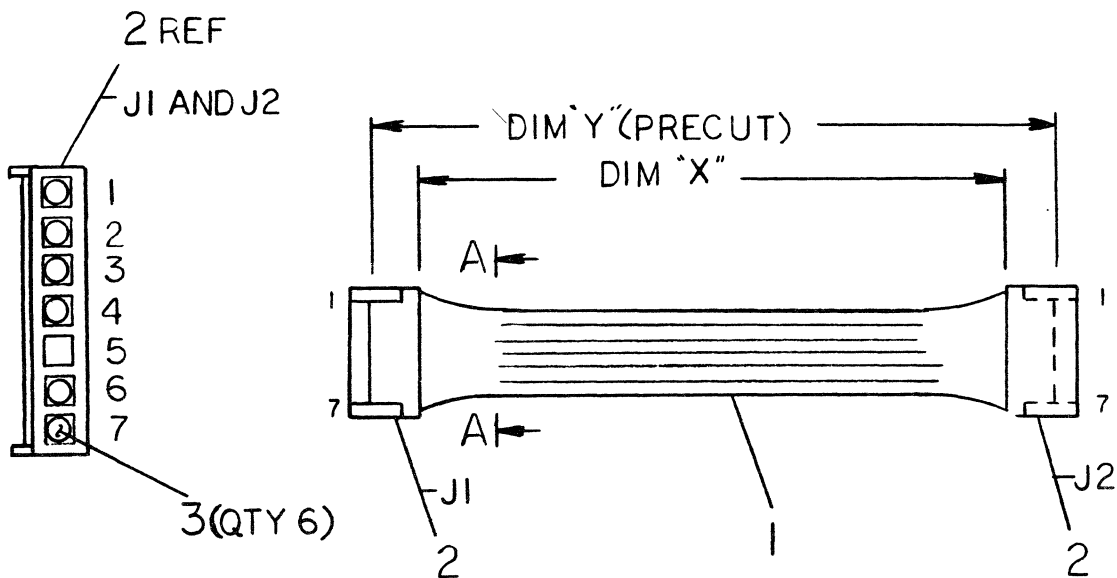
CAUTION: OFF SHEET PARTS LIST EXISTS, SEE K-PL-7015273-0-DBP.

REV.	CHANGE NO.	DESCRIPTION
1		INITIAL DESIGN
2		REVISED TO ADD PINS 1-8
3		REVISED TO ADD DIMENSIONS
4		REVISED TO ADD PARTS LIST
5		REVISED TO ADD TOLERANCES
6		REVISED TO ADD FINISH
7		REVISED TO ADD MATERIAL
8		REVISED TO ADD QUANTITY

QUANTITY & VARIATION	DESCRIPTION	DWG./PART NO.	ITEM NO.					
	UNLESS OTHERWISE SPECIFIED DIMENSIONS ARE IN INCHES							
THIRD ANGLE PROJECTION	ANGLES	CLASS OF ACCURACY	NOMINAL DIMENSION RANGE INCHES					
	SURFACE QUALITY	(CHECK ONE)	OVER TO 0.2	OVER TO 1.2	OVER TO 4.0	OVER TO 12.0	OVER TO 48.0	OVER TO 80.0
REMOVE BURRS AND BREAK SHARP CORNERS	MEDIUM	<input type="checkbox"/>	±.004	±.008	±.012	±.016	±.024	±.04
	PREFERRED	<input type="checkbox"/>	±.012	±.016	±.025	±.04	±.063	±0.1
DO NOT SCALE DWG	NEXT HIGHER ASSY.	DRN. <i>[Signature]</i>	FIRST USED ON					
MATERIAL SEE PARTS LIST	E-UA-VT1XX-AA-0	CHK'D <i>[Signature]</i>	VT122					
FINISH		ENG. <i>[Signature]</i>	TITLE					
		PROJ. ENG. <i>[Signature]</i>	22 MA					
		PROD. <i>[Signature]</i>	ADAPTER ASSY					
			SIZE CODE NUMBER					
			D IA 7015273-0-0					
			REV. B					
			SHEET 1 OF 1					
			DIST.					

"THIS DRAWING AND SPECIFICATIONS, HEREIN, ARE THE PROPERTY OF DIGITAL EQUIPMENT CORPORATION AND SHALL NOT BE REPRODUCED OR COPIED OR USED IN WHOLE OR IN PART AS THE BASIS FOR THE MANUFACTURE OR SALE OF ITEMS WITHOUT WRITTEN PERMISSION. COPYRIGHT © 1978 DIGITAL EQUIPMENT CORPORATION"

WIRE TABLE						
ITEM NUMBER	DESCRIPTION		FROM		TO	
	AWG	COLOR	CONNECTION	WITH	CONNECTION	WITH
1	24	BLK	J1-1	3	J2-1	3
			J1-2		J2-2	
			J1-3		J2-3	
			J1-4		J2-4	
			J1-6		J2-6	
	24	BLK	J1-7	3	J2-7	3



LEGEND		
NUMBER	DIM 'X' VARIATION	DIM 'Y' (PRECUT) REF
7015506-0B	2.0 IN ±.25 IN.	2.75 IN.

12	CONTACT, PIN	1214979-00	3
2	HOUSING, 7 CONN	1215047-01	2
A/R	WIRE, #24AWG, STRD (BLK)	9107450-00	1

DESCRIPTION		DWG./PART NO.		ITEM NO.			
UNLESS OTHERWISE SPECIFIED DIMENSIONS ARE IN INCHES							
ANGLES 10° 30'	CLASS OF ACCURACY (CHECK ONE)	NOMINAL DIMENSION RANGE INCHES					
SURFACE QUALITY IN		OVER 0 TO 0.2	OVER 0.2 TO 1.2	OVER 1.2 TO 4.0	OVER 4.0 TO 12.0	OVER 12.0 TO 40.0	OVER 40.0 TO 80.0
✓	MEDIUM	±.004	±.008	±.012	±.016	±.024	±.04
✓	PREFERRED	±.012	±.016	±.025	±.04	±.063	±.1

REV.	CHANGE NO.	REV.
A	1	1

7015506-ML001 A  
S. Spang 20 SEP 79  
C. JAMES  
Richard A. Puccia 11-79

THIRD ANGLE PROJECTION	DRN. <i>W. Jones</i> 5/24/76	FIRST USED ON	VT100
REMOVE BURRS AND BREAK SHARP CORNERS	CHK'D <i>A. Jones</i> 6/30/76	TITLE	CABLE, INTERNAL 20 MA ADAPTOR
DO NOT SCALE DWG	ENG. <i>M. Jones</i> 1-23-78	SIZE	C IA
MATERIAL SEE PARTS LIST	PROJ. ENG. <i>M. Jones</i> 1-23-78	CODE	7015506-0-0
FINISH	PROD. <i>M. Jones</i> 1-24-78	NUMBER	7015506-0-0
	NEXT HIGHER ASSY.	REV.	A
	E-UA-VTXA-AA	DIST.	
	SCALE NONE		
	SHEET 1 OF 1		

REV. A  
NUMBER 7015506-0-0  
SIZE CODE C IA

This drawing and specifications, herein, are the property of Digital Equipment Corporation and shall not be reproduced or copied or used in whole or in part as the basis for the manufacture or sale of items without written permission.

### LEGEND

NUMBER	DIM "X" VARIATION	DIM "Y" (PRECUT) REF
BC05F-15	15 FT. ± 3 IN.	15 FT. .75 IN. ± 3 IN.
BC05F-9	9 FT. ± 2 IN.	9 FT. .75 IN. ± 2 IN.
BC05F-04	4 FT. ± 1 IN.	4 FT. .75 IN. ± 1 IN.
BC05F-25	25 FT. ± 3 IN.	25 FT. .75 IN. ± 3 IN.
BC05F-30	30 FT. ± 2%	30 FT. .75 IN. ± 2%
BC05F-45	45 FT. ± 2%	45 FT. .75 IN. ± 2%
BC05F-50	50 FT. ± 2%	50 FT. .75 IN. ± 2%
BC05F-90	90 FT. ± 2%	90 FT. .75 IN. ± 2%
BC05F-B0	200 FT. ± 2%	200 FT. .75 IN. ± 2%
BC05F-C0	300 FT. ± 2%	300 FT. .75 IN. ± 2%
BC05F-E0	500 FT. ± 2%	500 FT. .75 IN. ± 2%

### WIRE TABLE

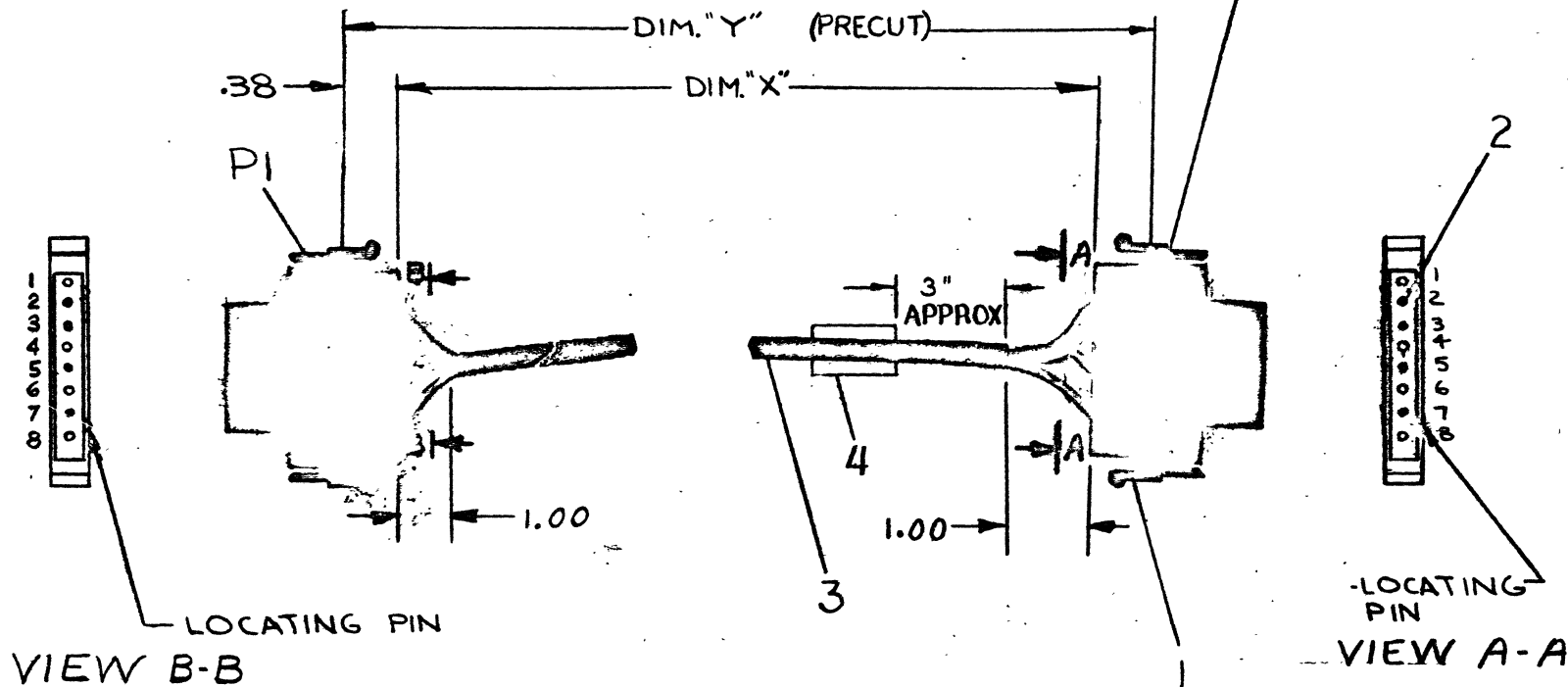
ITEM NO	DESCRIPTION		FROM	TO
	AWG	COLOR	CONNECTION	CONNECTION
3	22	BLK	P1-2	P2-3
3	22	RED	P1-3	P2-2
3	22	WHT	P1-5	P2-7
3	22	GRN	P1-7	P2-5

### NOTES:

1. ASSEMBLE CABLE I.D. LABEL TO AREA AS SHOWN BELOW.

### LEGEND CONT.

NUMBER	DIM "X"	DIM "Y" REF
BC05F-E5	550 FT. ± 2%	550 FT. .75 IN. ± 2%
BC05F-L0	1000 FT. ± 2%	1000 FT. .75 IN. ± 2%



CAUTION: FOR OFF SHEET PARTS LIST SEE K-PL-BC05F-0-0.

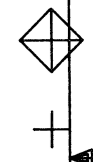
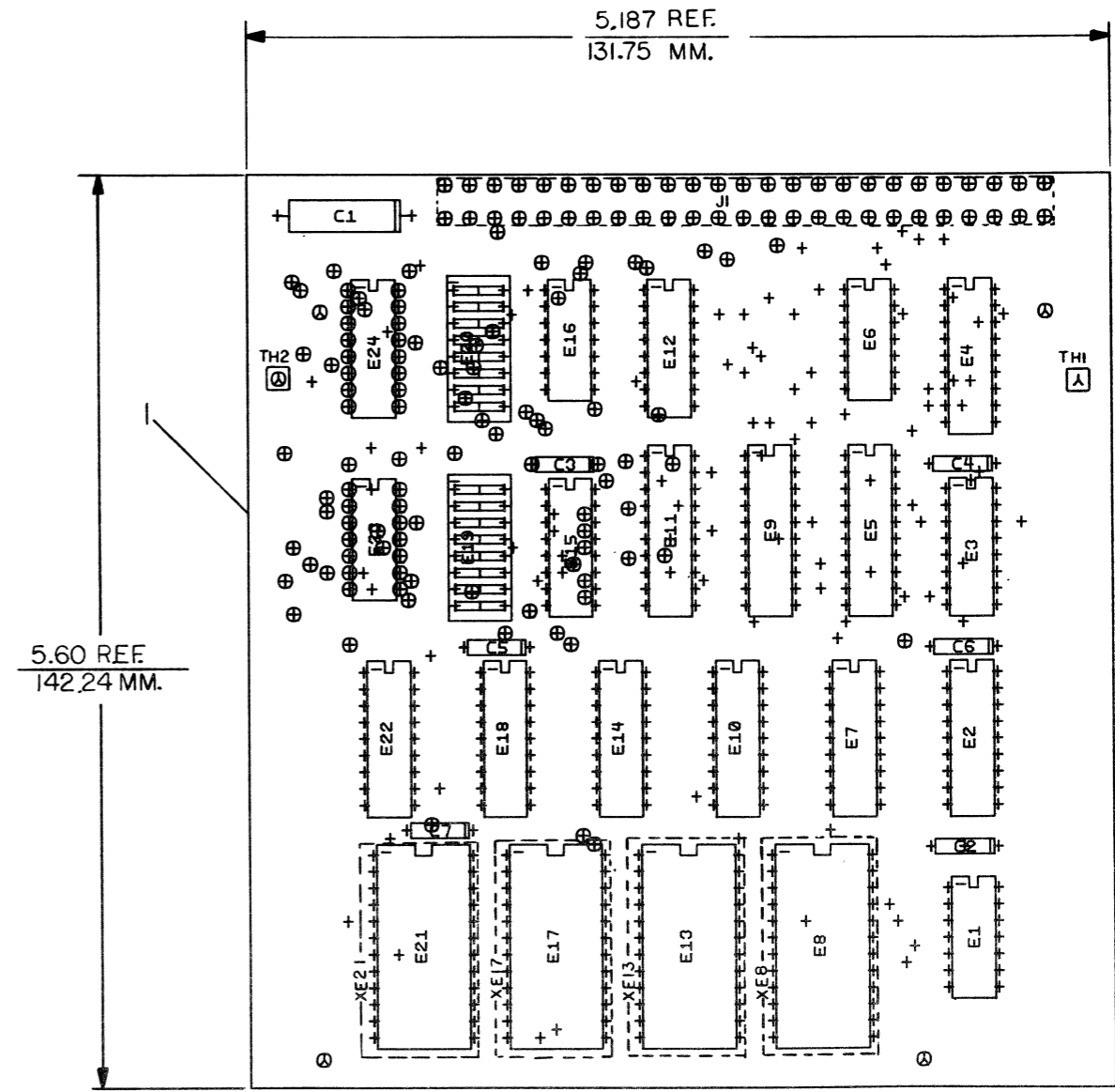
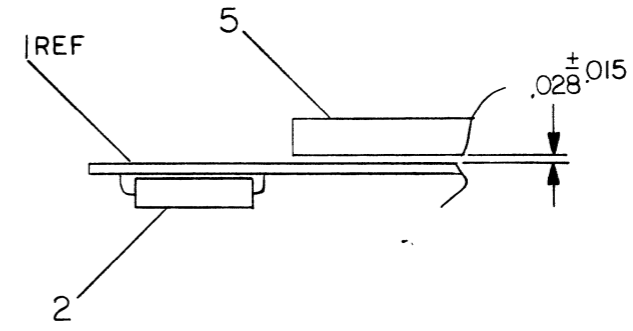
REVISIONS	CHANGE NO.	REV.
1	BC05F-00001	A
2	11-8-71	R. FITCH
3	11-9-71	Robert Fitch
4	00119	B LA36
5	7-17-75	ELLEN WILSON
6	7/18/75	J. BITTO
7	00002	C
8	2 JUN 76	W. FITCH
9	19 MAY 81	D H.051-M1.003
10	27 May 81	E J. DESUK
11	17 Dec 81	R. HARRINGTON

FIRST USED ON OPTION MODEL	QTY.	DESCRIPTION	PART NO.	ITEM NO.
DF11				
PARTS LIST				
UNLESS OTHERWISE SPECIFIED	DRN	DATE	EQUIPMENT CORPORATION MAYNARD MASSACHUSETTS	
UNLESS OTHERWISE SPECIFIED	CHK'D. <i>A. F. London</i>	DATE <i>10/6/71</i>	TITLE <b>CABLE INTERFACE</b> <b>BC05F</b>	
DIMENSION IN INCHES	<i>R. Milan</i>	DATE <i>10/8/71</i>		
TOLERANCES	DECIMALS FRACTIONS ANGLES	DATE <i>10-14-71</i>		
± .005 ± 1/64 ± 0°30'	ENG. <i>Robert Fitch</i>	DATE <i>10-19-71</i>		
FINAL SURFACE QUALITY REMOVE BURRS AND BREAK SHARP CORNERS	PROJ. ENG. <i>Robert Fitch</i>	DATE <i>10-19-71</i>	SIZE CODE NUMBER REV. CUA BC05F-0-0 E	
MATERIAL	PREP. <i>Paul Grogan</i>	DATE <i>10-20-71</i>	DIST. G	
FINISH	NEXT HIGHER ASS'Y		SCALE OF SHEET 1 OF 1	

SIZE CODE NUMBER REV.  
 CUA BC05F-0-0 E

THIS DRAWING AND SPECIFICATIONS, HEREIN, AND THE PROPERTY OF DIGITAL EQUIPMENT CORPORATION AND SHALL NOT BE REPRODUCED OR COPIED IN WHOLE OR IN PART OR THE BASIS FOR THE MANUFACTURE OR SALE OF ITEMS WITHOUT WRITTEN PERMISSION.  
 COPYRIGHT © 1978 DIGITAL EQUIPMENT CORPORATION

COMPONENT SIDE VIEW



NOTES: J1 CONN MOUNTED ON SIDE 2

CHG	NO	REV	DATE
1	5413097ML005	F	10-30-78
2	5413097ML005	F	10-30-78
3	5413097ML005	F	10-30-78
4	5413097ML005	F	10-30-78
5	5413097ML005	F	10-30-78
6	5413097ML005	F	10-30-78
7	5413097ML005	F	10-30-78
8	5413097ML005	F	10-30-78

STEP	NO	REV	DATE
1	5413097ML005	F	10-30-78
2	5413097ML005	F	10-30-78
3	5413097ML005	F	10-30-78
4	5413097ML005	F	10-30-78
5	5413097ML005	F	10-30-78
6	5413097ML005	F	10-30-78
7	5413097ML005	F	10-30-78
8	5413097ML005	F	10-30-78

ETCH REV. C-P3
----------------

SIGNATURES	DATE	digital
DRN. <i>[Signature]</i>	10-30-78	TITLE VT100 ADVANCED VIDEO
CHK'D. <i>[Signature]</i>	10-30-78	
MECH. ENG. <i>[Signature]</i>	10-30-78	
PROJ. ENG. <i>[Signature]</i>	10-30-78	
PROD. <i>[Signature]</i>	10-30-78	
SCALE 2/1	SIZE CODE	NUMBER
SHT. 1 OF 1	D	UA5413097-0-0 F
NEXT HIGHER ASSY. B-DD-5413097	-0	

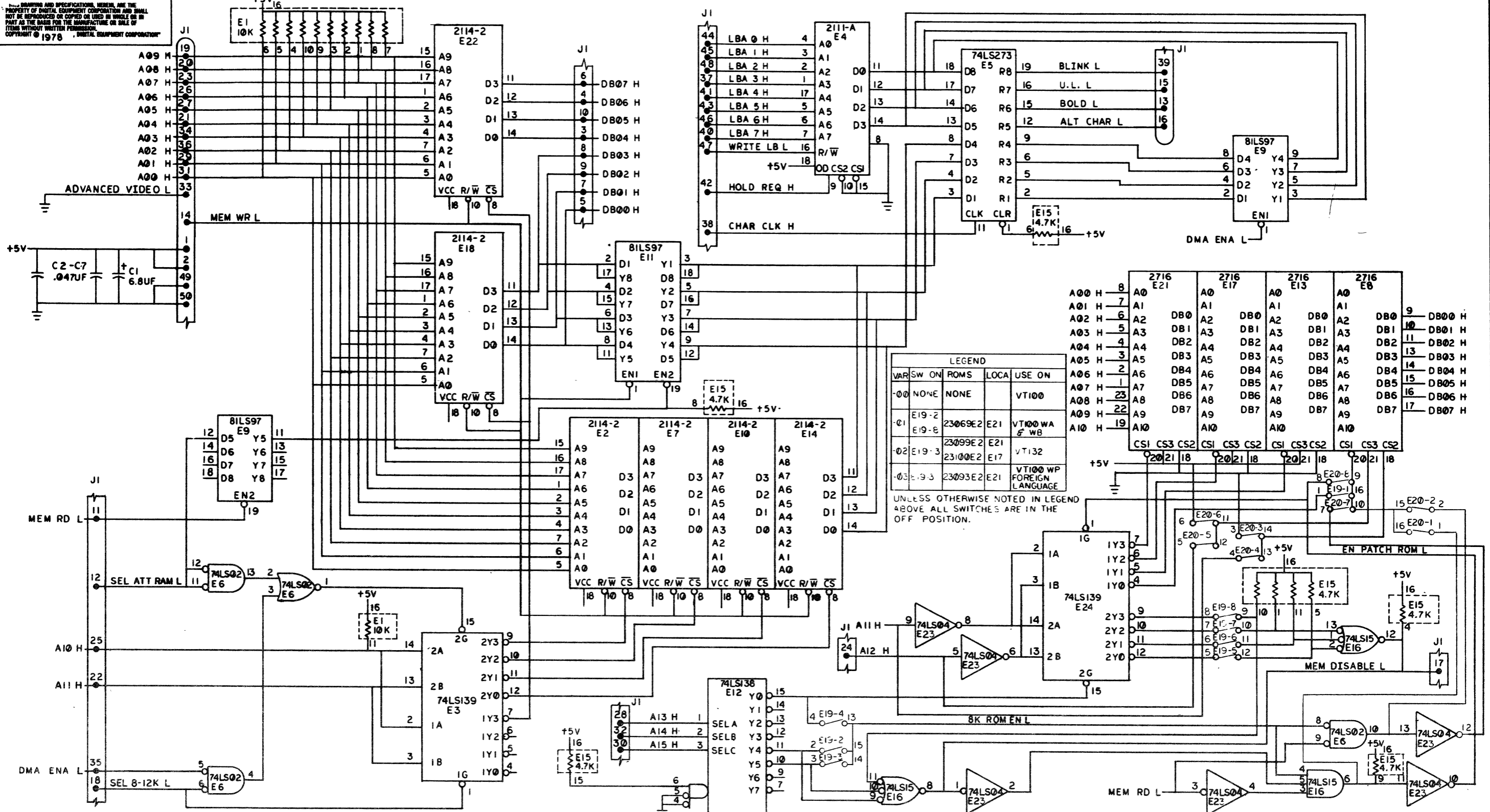
LINE	ITEM	DOCUMENT NUMBER	PART NUMBER	DESCRIPTION	QTY PER VARIATION				REFERENCE DESIGNATOR
					00	01	02	03	
1	1	D-MD-5013096-0-0	5013096-00	DRILL & ETCH DRAWING	1	1	1	1	
2	2		1005306-00	6.8MFD 35V 10% S.TANT	1	1	1	1	C1
3	3		1012784-00	.047 MFD 50V +80-20% CER	6	6	6	6	C2-C7
4	4		1215006-06	SOCKET 24PIN IC LOW PROFILE	4	4	4	4	XE8,XE13,XE17,XE21
5	5		1214060-01	HEADER.150 50POS	1	1	1	1	J1
6	6		1300005-03	R NETWORK 13-10K 5.0 % 14PIN	1	1	1	1	E1
7	7		1300005-07	R NETWORK 15-4.7K 5.0 % 16PIN	1	1	1	1	E15
8	8		1912801-00	LS02 NOR-GATE-QUAD 2IN	1	1	1	1	E6
9	9		1912803-00	74LS04 INVERTER GATE,HEX	1	1	1	1	E23
10	10		1912809-00	LS15 NAND GATE-TRIPLE 3IN	1	1	1	1	E16
11	11		1912842-00	LS138 DECODER-THREE INPUT,	1	1	1	1	E12
12	12		1912843-00	LS139 DECODER, 2 OF 4(DUAL	2	2	2	2	E3,E24
13	13		1912863-00	LS273 FF-D OCTAL W/CLEAR	1	1	1	1	E5
14	14		1914213-00	B1LS97 BUFFER GATE-OCTAL 2I	2	2	2	2	E9,E11
15	15		2113106-01	1K MOS RAM 250NS	1	1	1	1	E4
16	16		2114212-00	P 2114-2 RAM,1024X4,STATIC	6	6	6	6	E2,E7,E10,E14,E18,E22
17	18		1211164-04	SW,DIP 1P 1A 8POS	2	2	2	2	E19,E20
18	19		23069E2-00	E2-02,E2-04 RO	-	1	-	-	E21
19	20		23099E2-00	E2-02	-	-	1	-	E21
20	21		23100E2-00	E2-02	-	-	1	-	E17
21	22		23093E2-00	E2-02,E2-04	-	-	-	1	E21
22	23	A-SP-3700554-0-0	3700554-00	PKG MODULE 5413097	REF	REF	REF	REF	
23	24	A-SP-3700438-0-0	3700438-05	PKG. BULK CARTON 9906476-29	REF	REF	REF	REF	

24 NOTE: FOR INDIVIDUAL FIELD SERVICE/CUSTOMER SPARES SHIPMENT USE PACKAGING INSTRUCTION A-SP-3700554-0-0.  
 25 NOTE: FOR BULK INTERPLANT SHIPMENT USE PACKAGING INSTRUCTIONS A-SP-3700438-00.

REVISION HISTORY		BASIC PART NO: 5413097		DRN:	T. SHETRAWSKI	DATE:	10-MAR-78	DIGITAL		
ENG	ECO NUMBER	REV	SECTION A OF A	CHK'D:	T. SHETRAWSKI	DATE:	10-MAR-78	TITLE	PARTS LIST	
---	INIT	A	SECTION.VARIATION INDEX							
---	5413097-ML002	C	[A] 00,01,02,03					VT100 ADV VIDEO		
CJ	5413097-ML003	D	[B]							
CJ	5413097-ML004	E	[C]	DES.ENG:	D. PUCCI	DATE:	10-MAR-78			
DP	5413097-ML005	F	[D]							
RB	5413097-ML006	H	[E]					DOCUMENT NUMBER		
			[F]	RESP.ENG.:	D. PUCCI	DATE:	10-MAR-78	SIZE	CODE	NUMBER
			[H]							REV
			[J]							
			[K]	MFG.ENG.:	T. CORCIARI	DATE:	10-MAR-78	K	PL	5413097-0-DBP
			[L]							H
			[M]	ASSEMBLY NUMBER:		TOP DOCUMENT NUMBER:		FILE NAME:		EDIT #
			[N]	D-UA-5413097-0-0		B-DD-5413097-0-0		Z1081H.PLS		9

"THIS DRAWING AND SPECIFICATIONS HEREIN, ARE THE PROPERTY OF DIGITAL EQUIPMENT CORPORATION AND SHALL NOT BE REPRODUCED OR COPIED OR USED IN WHOLE OR IN PART AS THE BASIS FOR THE MANUFACTURE OR SALE OF ITEMS WITHOUT WRITTEN PERMISSION.  
 COPYRIGHT (C) 1981. DIGITAL EQUIPMENT CORPORATION "

PRINTING AND SPECIFICATIONS HEREIN ARE THE PROPERTY OF DIGITAL EQUIPMENT CORPORATION AND SHALL NOT BE REPRODUCED OR COPIED IN WHOLE OR IN PART AS THE BASIS FOR THE MANUFACTURE OR SALE OF ITEMS WITHOUT WRITTEN PERMISSION. COPYRIGHT © 1978, DIGITAL EQUIPMENT CORPORATION.



LEGEND

VAR SW	ON	ROMS	LOCAL	USE ON
-00	NONE	NONE		VT100
-01	E19-2	23069E2	E21	VT100 WA & WB
-02	E19-3	23099E2	E21	VT132
-03	E19-3	23093E2	E21	VT100 WP FOREIGN LANGUAGE

UNLESS OTHERWISE NOTED IN LEGEND ABOVE ALL SWITCHES ARE IN THE OFF POSITION.

DRN. <i>[Signature]</i>	2-14-78	FIRST USED ON	VT100	digital
CHK. <i>[Signature]</i>	6/3/78	TITLE	VT100	
ENG. <i>[Signature]</i>	5/1/78	ADVANCED VIDEO		
PROJ. ENG. <i>[Signature]</i>	5/1/78			
PROD. <i>[Signature]</i>	6/3/78			
NEXT HIGHER ASSY.				
B-DD-5413097-0		SIZE	CODE	NUMBER
SCALE		D	CS	5413097-0-1
SHEET		OF	DIST.	F

REV.	CHANGE NO.	DATE	BY
1	5413097-ML001	B	
2	5413097-ML002	C	
3	5413097-ML003	D	
4	5413097-ML004	E	

MANPAGE P.108



# DIGITAL EQUIPMENT CORPORATION PARTS LIST

## QUANTITY / VARIATION

**NOTES:**

1. VARIATIONS BA, BB, CA, CB, DA, & DB ARE SHIPPING CONFIGURATIONS ONLY. THEY ARE PACKAGED AT THE WAREHOUSE AND PA&T SYSTEMS PLANTS FOR SHIPMENT. ALL QUANTITIES ARE FOR REFERENCE ONLY.

MADE BY DATE	D. HEALY 14-JUN-78	CHECKED DATE	D. HEALY 14-JUN-78	SECTION A1
ENG DATE	E. WEDEKING 10-JUL-78	PROD DATE	K. HOFFMAN 10-JUL-78	ISSUED SECTION A2

ITEM NO.	DRAWING NO.	PART NO.	DESCRIPTION	VT100-AA	VT100-AB	VT100-NA	VT100-NP	VT100-WA	VT100-WB	VT100-WC	VT100-WD	VT100-WE	VT100-WF	VT100-WG	VT100-WH
1	EK-VT100-UG-001	EK-VT100-UG	GUIDE, USERS VT100	1	1	1	1	1	1	1	1	1	1	1	1
2		3615741	LABEL, SET-UP, VT100	1	1	1	1	1	1	-	-	-	-	-	-
3		VT100-AA	TERM., VIDEO, W/115V PLUG	1	-	-	-	-	-	-	-	-	-	-	-
4		VT100-AB	TERM., VIDEO, W/230V PLUG	-	1	-	-	-	-	-	-	-	-	-	-
5		VT100-NA	TERM., VIDEO, DECFORM, W/115V PLUG	-	-	1	-	-	-	-	-	-	-	-	-
6		VT100-NB	TERM., VIDEO, DECFORM, W/230V PLUG	-	-	-	1	-	-	-	-	-	-	-	-
7		VT100-WA	TERM., VIDEO, WORD PROCESSING, W/115V PLUG.	-	-	-	-	1	-	-	-	-	-	-	-
3		VT100-WB	TERM., VIDEO, WORD PROCESSING, W/230V PLUG.	-	-	-	-	-	1	-	-	-	-	-	-
9	A-SP-VT100-W-0		INSTALLATION NOTES, WORD PROCESSING TERMINAL.	-	-	-	-	1	1	1	1	1	1	1	1
10		VT100-WC	TERM, VIDEO, FR. CANADIAN WP W/ 115V PLUG	-	-	-	-	-	-	1	-	-	-	-	-
11		VT100-WD	TERM, VIDEO, FR. CANADIAN WP W/ 230V PLUG	-	-	-	-	-	-	-	1	-	-	-	-
12		VT100-WE	TERM, VIDEO, FRENCH WP W/115V PLUG	-	-	-	-	-	-	-	-	1	-	-	-
13		VT100-WF	TERM, VIDEO, FRENCH WP W/230V PLUG	-	-	-	-	-	-	-	-	-	1	-	-
14		VT100-WG	TERM, VIDEO, DUTCH, WP W/115V PLUG	-	-	-	-	-	-	-	-	-	-	1	-
15		VT100-WH	TERM, VIDEO, DTUCH, WP W/230V PLUG	-	-	-	-	-	-	-	-	-	-	-	1
16		VT100-WJ	TERM, VIDEO, GERMAN WP W/115V PLUG	-	-	-	-	-	-	-	-	-	-	-	-
17		VT100-WK	TERM, VIDEO, GERMAN WP W/230V PLUG	-	-	-	-	-	-	-	-	-	-	-	-
18		VT100-WY	TERM, VIDEO, WP W/115V PLUG	-	-	-	-	-	-	-	-	-	-	-	-

REF DESIGNATION

E.C.O. NO.	ML032	ML037	VT100-	ML042	VT100-	ML047	
------------	-------	-------	--------	-------	--------	-------	--

*THIS DRAWING AND SPECIFICATIONS, HEREIN, ARE THE PROPERTY OF DIGITAL EQUIPMENT CORPORATION AND SHALL NOT BE REPRODUCED OR COPIED OR USED IN WHOLE OR IN PART AS THE BASIS FOR THE MANUFACTURE OR SALE OF ITEMS WITHOUT WRITTEN PERMISSION. COPYRIGHT ©1978 DIGITAL EQUIPMENT CORPORATION*	<b>TITLE</b> SHIPPING LIST VT100	<b>ASSY NO.</b> <div style="text-align: center;"> </div>	<b>SIZE</b> <b>B</b>	<b>CODE</b> <b>PL</b>	<b>NUMBER</b> VT100-0	<b>REV.</b> <b>H</b>
SHEET 1 OF 6		INSERTION PARTS LIST DATA BASE REV				

# DIGITAL EQUIPMENT CORPORATION PARTS LIST

QUANTITY / VARIATION

NOTES:

SEE NOTE 1, PAGE 1

MADE BY DATE	D. HEALY 14-JUN-78	CHECKED DATE	D. HEALY 14-JUN-78	SECTION A2
ENG DATE	E. WEDEKING 10-JUL-78	PROD DATE	K. HOFFMAN 10-JUL-78	ISSUED SECTION A2

VT100-AA	VT100-AB	VT100-NA	VT100-NB	VT100-WA	VT100-WB	VT100-WC	VT100-WD	VT100-WE	VT100-WF	VT100-WG	VT100-WH
----------	----------	----------	----------	----------	----------	----------	----------	----------	----------	----------	----------

ITEM NO.	DRAWING NO.	PART NO.	DESCRIPTION	VT100-AA	VT100-AB	VT100-NA	VT100-NB	VT100-WA	VT100-WB	VT100-WC	VT100-WD	VT100-WE	VT100-WF	VT100-WG	VT100-WH
19		VT100-WZ	TERM, VIDEO, WP W/230V PLUG	-	-	-	-	-	-	-	-	-	-	-	-
20		3615741-01	LABEL, SET-UP, VT100 FOR SYSTEMS	-	-	-	-	-	-	1	1	1	1	1	1
21		AA-H989A-TA	VT100 FOREIGN LANGUAGE SUPPLEMENT	-	-	-	-	-	-	1	1	1	1	1	1
22		VT100-LA	TERM, VIDEO, W/P40 TUBE	1	-	-	-	-	-	-	-	-	-	-	-
23		VT100-LB	TERM, VIDEO, W/P40 TUBE	-	1	-	-	-	-	-	-	-	-	-	-
24		VT100-PA	VT100-AA EXCEPT DARK GRAY 120V PRIVATE BRAND	-	-	-	-	-	-	-	-	-	-	-	-
25		VT100-PB	VT100-AB EXCEPT DARK GRAY 240V PRIVATE BRAND	-	-	-	-	-	-	-	-	-	-	-	-
26		VT100-PC	VT100-PA WITHOUT ELECTRONICS 120V PRIVATE BRAND	-	-	-	-	-	-	-	-	-	-	-	-
27		VT100-PD	VT100-PB WITHOUT ELECTRONICS 240V PRIVATE BRAND	-	-	-	-	-	-	-	-	-	-	-	-
28		VT100-PE	VT100-PA WITHOUT ELECTRONICS & NO KEYBOARD 120V PRIVATE BRAND	-	-	-	-	-	-	-	-	-	-	-	-
29		VT100-PF	VT100-PB WITHOUT ELECTRONICS & NO KEYBOARD 240V PRIVATE BRAND	-	-	-	-	-	-	-	-	-	-	-	-
30		EK-VT100-RC	VT100 PROGRAM REF CARD	1	1	1	1	1	1	1	1	1	1	1	1
31		3618307-05	BOOKLET, FCC STATEMENT, WITH POUCH	1	1	1	1	1	1	1	1	1	1	1	1

REF DESIGNATION

E.C.O. NO.

THIS DRAWING AND SPECIFICATIONS, HEREIN, ARE THE PROPERTY OF DIGITAL EQUIPMENT CORPORATION AND SHALL NOT BE REPRODUCED OR COPIED OR USED IN WHOLE OR IN PART AS THE BASIS FOR THE MANUFACTURE OR SALE OF ITEMS WITHOUT WRITTEN PERMISSION. COPYRIGHT © 1978 DIGITAL EQUIPMENT CORPORATION

TITLE  
**SHIPPING LIST VT100**

ASSY NO. —  
SHEET **2** OF **6**

SIZE	CODE	NUMBER	REV.
<b>B</b>	<b>PL</b>	VT100-0	<b>H</b>

INSERTION PARTS LIST DATA BASE REV

ML3

# DIGITAL EQUIPMENT CORPORATION PARTS LIST

## QUANTITY / VARIATION

NOTES:

SEE NOTE 1, PAGE 1

MADE BY DATE	D. HEALY 14-JUN-78	CHECKED DATE	D. HEALY 14-JUN-78	SECTION B1
ENG DATE	E. WEDEKING 10-JUL-78	PRD DATE	K. HOFFMAN 10-JUL-78	ISSUED SECTION B2

ITEM NO.	DRAWING NO.	PART NO.	DESCRIPTION	QUANTITY / VARIATION												REF DESIGNATION	
				VT100-WJ	VT100-WK	VT100-WY	VT100-WZ	VT100-LA	VT100-LB	VT100-PA	VT100-PB	VT100-PC	VT100-PD	VT100-PE	VT100-PF		
1	EK-VT100-UG-001	EK-VT100-UG	GUIDE, USERS VT100	1	1	1	1	1	1	-	-	-	-	-	-	-	
2		3615741	LABEL, SETUP, VT100	-	-	-	-	1	1	-	-	-	-	-	-	-	
3		VT100-AA	TERM., VIDEO, W/115V PLUG	-	-	-	-	-	-	-	-	-	-	-	-	-	
4		VT100-AB	TERM., VIDEO, W/230V PLUG	-	-	-	-	-	-	-	-	-	-	-	-	-	
5		VT100-NA	TERM., VIDEO, DECFORM, W/115V PLUG	-	-	-	-	-	-	-	-	-	-	-	-	-	
6		VT100-NB	TERM., VIDEO, DECFORM, W/230V PLUG	-	-	-	-	-	-	-	-	-	-	-	-	-	
7		VT100-WA	TERM., VIDEO, WORD PROCESSING W/115V PLUG.	-	-	1	-	-	-	-	-	-	-	-	-	-	
8		VT100-WB	TERM., VIDEO, WORD PROCESSING, W/230V PLUG.	-	-	-	1	-	-	-	-	-	-	-	-	-	
9	A-SP-VT100-W-0		INSTALLATION NOTES, WORD PROCESSING TERMINAL.	1	1	1	1	-	-	-	-	-	-	-	-		
10		VT100-WC	TERM, VIDEO, FR. CANADIAN WP W/115V PLUG	-	-	-	-	-	-	-	-	-	-	-	-		
11		VT100-WD	TERM, VIDEO, FR. CANADIAN WP W/230V PLUG	-	-	-	-	-	-	-	-	-	-	-	-		
12		VT100-WE	TERM, VIDEO, FRENCH WP W/115V PLUG	-	-	-	-	-	-	-	-	-	-	-	-		
13		VT100-WF	TERM, VIDEO, FRENCH WP W/230V PLUG	-	-	-	-	-	-	-	-	-	-	-	-		
14		VT100-WG	TERM, VIDEO, DUTCH WP W/115V PLUG	-	-	-	-	-	-	-	-	-	-	-	-		
15		VT100-WH	TERM, VIDEO, DUTCH WP W/230V PLUG	-	-	-	-	-	-	-	-	-	-	-	-		
16		VT100-WJ	TERM, VIDEO, GERMAN WP W/115V PLUG	1	-	-	-	-	-	-	-	-	-	-	-		
17		VT100-WK	TERM, VIDEO, GERMAN WP W/230V PLUG	-	1	-	-	-	-	-	-	-	-	-	-		
18		VT100-WY	TERM, VIDEO, WP W/115V PLUG	-	-	1	-	-	-	-	-	-	-	-	-		

E.C.O. NO. \_\_\_\_\_

"THIS DRAWING AND SPECIFICATIONS, HEREIN, ARE THE PROPERTY OF DIGITAL EQUIPMENT CORPORATION AND SHALL NOT BE REPRODUCED OR COPIED OR USED IN WHOLE OR IN PART AS THE BASIS FOR THE MANUFACTURE OR SALE OF ITEMS WITHOUT WRITTEN PERMISSION. COPYRIGHT © 1978 DIGITAL EQUIPMENT CORPORATION"

TITLE  
SHIPPING LIST VT100

ASSY NO.   
SHEET 3 OF 6

SIZE <b>B</b>	CODE <b>PL</b>	NUMBER VT100-0	REV. <b>H</b>
------------------	-------------------	-------------------	------------------

INSE: TION PARTS LIST DATA BASE REV



**digital****PARTS LIST**

## QUANTITY / VARIATION

NOTES:

SEE NOTE 1, PAGE 1

DRN. D. HEALY DATE 14-JUN-78	DES. ENG. E. WEDEKING DATE 10-JUL-78	MFG. ENG. K. HOFFMAN DATE 10-JUL-78
CHK'D. D. HEALY DATE 14-JUN-78	RESP. ENG. E. WEDEKING DATE 10-JUL-78	NEXT HIGHER DOC. B-DD-VT100-0

ITEM NO.	DRAWING NO.	PART NO.	DESCRIPTION	QUANTITY / VARIATION						REFERENCE DESIGNATORS
				VT100-BA	VT100-BB	VT100-CI	VT100-CB	VT100-DA	VT100-DB	
1	EK-VT100-UG-001	EK-VT100-UG	GUIDE, USERS VT100	1	1	1	1	1	1	
2		3615741	LABEL, SET-UP, VT100	-	-	-	-	-	-	
3		VT100-AA	TERM., VIDEO, W/115V PLUG	4	-	8	-	16	-	
4		VT100-AB	TERM., VIDEO, W/230V PLUG	-	4	-	8	-	16	
5		VT100-BA	TERM., VIDEO, DECFORM, W/115V PLUG	-	-	-	-	-	-	
6		VT100-NB	TERM., VIDEO DECFORM, W/230V PLUG	-	-	-	-	-	-	
7		VT100-WA	TERM., VIDEO, WORD PROCESSING, W/115V PLUG	-	-	-	-	-	-	
8		VT100-WB	TERM., VIDEO, WORD PROCESSING W/230V PLUG	-	-	-	-	-	-	
9	A-SP-VT100-W-0		INSTALLATION NOTES, WORD PROCESSING TERMINAL	-	-	-	-	-	-	
10		VT100-WC	TERM, VIDEO, FR. CANADIAN WP W/115V PLUG	-	-	-	-	-	-	
11		VT100-WD	TERM, VIDEO, FR. CANADIAN WP W/230V PLUG	-	-	-	-	-	-	
12		VT100-WE	TERM, VIDEO, FRENCH WP W/115V PLUG	-	-	-	-	-	-	
13		VT100-WF	TERM, VIDEO, FRENCH WP W/230V PLUG	-	-	-	-	-	-	
14		VT100-WG	TERM, VIDEO, DUTCH, WP W/115V PLUG	-	-	-	-	-	-	
15		VT100-WH	TERM, VIDEO, DUTCH, WP W/230V PLUG	-	-	-	-	-	-	
16		VT100-WJ	TERM, VIDEO, GERMAN WP W/115V PLUG	-	-	-	-	-	-	
17		VT100-WK	TERM, VIDEO, GERMAN WP W/230V PLUG	-	-	-	-	-	-	
18		VT100-WY	TERM, VIDEO, WP W/115V PLUG	-	-	-	-	-	-	

ECO NO.

THIS DRAWING AND SPECIFICATIONS, HEREIN, ARE THE PROPERTY OF DIGITAL EQUIPMENT CORPORATION AND SHALL NOT BE REPRODUCED OR COPIED OR USED IN WHOLE OR IN PART AS THE BASIS FOR THE MANUFACTURE OR SALE OF ITEMS WITHOUT WRITTEN PERMISSION.  
COPYRIGHT ©1978 DIGITAL EQUIPMENT CORPORATION

TITLE

SHIPPING LIST VT100

ASSY. NO.

SECTION C1 OF C2

SIZE

B

CODE

PL

NUMBER

VT100-0

REV.

H

SHEET 5 OF 6

**digital**

**PARTS LIST**

QUANTITY / VARIATION

NOTES:

SEE NOTE 1, PAGE 1


DRN. DATE	D. HEALY 14-JUN-78	DES. ENG. DATE	E. WEDEKING 10-JUL-78	MFG. ENG. DATE	K. HOFFMAN 10-JUL-78
CHK'D. DATE	D. HEALY 14-JUN-78	RESP. ENG. DATE	E. WEDEKING 10-JUL-78	NEXT HIGHER DOC.	B-DD-VT100-0

ITEM NO.	DRAWING NO.	PART NO.	DESCRIPTION	QUANTITY / VARIATION						REFERENCE DESIGNATORS
				VT100-BA	VT100-BF	VT100-CA	VT100-CB	VT100-DA	VT100-DB	
19		VT100-WZ	TERM, VIDEO, WP W/230V PLUG	-	-	-	-	-	-	
20		361574-01	LABEL, SET-UP, VT100 FOR SYSTEMS	-	-	-	-	-	-	
21		AA-H989A-TA	VT100 FOREIGN LANGUAGE SUPPLEMENT	-	-	-	-	-	-	
22		VT100-LA	TERM, VIDEO, W/P40 TUBE	-	-	-	-	-	-	
23		VT100-LB	TERM, VIDEO, W/P40 TUBE	-	-	-	-	-	-	
24		VT100-PA	VT100-AA EXCEPT DARK GRAY 120V PRIVATE BRAND	-	-	-	-	-	-	
25		VT100-PB	VT100-AB EXCEPT DARK GRAY 240V PRIVATE BRAND	-	-	-	-	-	-	
26		VT100-PC	VT100-PA WITHOUT ELECTRONICS 120V PRIVATE BRAND	-	-	-	-	-	-	
27		VT100-PD	VT100-PB WITHOUT ELECTRONICS 240V PRIVATE BRAND	-	-	-	-	-	-	
28		VT100-PE	VT100-PA WITHOUT ELECTRONICS & NO KEYBOARD 120V PRIVATE BRAND	-	-	-	-	-	-	
29		VT100-PF	VT100-PB WITHOUT ELECTRONICS & NO KEYBOARD 240V PRIVATE BRAND	-	-	-	-	-	-	
30		EK-VT100-RC	VT100 PROGRAM REF CARD	-	-	-	-	-	-	
31		3618307-05	BOOKLET, FCC STATEMENT, WITH POUCH	-	-	-	-	-	-	

ECO NO.

THIS DRAWING AND SPECIFICATIONS, HEREIN, ARE THE PROPERTY OF DIGITAL EQUIPMENT CORPORATION AND SHALL NOT BE REPRODUCED OR COPIED OR USED IN WHOLE OR IN PART AS THE BASIS FOR THE MANUFACTURE OR SALE OF ITEMS WITHOUT WRITTEN PERMISSION.  
COPYRIGHT © 1978 DIGITAL EQUIPMENT CORPORATION

TITLE  
**SHIPPING LIST VT100**

ASSY. NO.   
SECTION C2 OF C2

SIZE CODE  
**B PL**

NUMBER  
VT100-0

REV.  
**H**

SHEET 6 OF 6

This document contains confidential proprietary information of DEC. This information shall not be disclosed to persons outside the employ of DEC, except by DEC personnel so authorized by DEC, and only for use by such other persons in the design, production or manufacture of products for DEC. Copyright © Digital Equipment Corporation.

**DIGITAL EQUIPMENT CORPORATION**  
**MAYNARD, MASSACHUSETTS**

**ENGINEERING SPECIFICATION**

DATE 6/28/79

TITLE VT100-W Word Processing Terminals  
 Installation Notes

**REVISIONS**

REV	DESCRIPTION	CHG NO	ORIG	DATE	APPD BY	DATE
A	ECO CHANGE	VT100-ML028	W. TREMBLAY	3/12/79	W. Tremblay (Sub) (2/1/80)	

The VT100 Family of Word Processing Terminals consists of the basic VT100 terminal assembly to which, parts have been added or substituted to make unique terminals, dedicated to word processing applications in various languages.

Table 1 lists the unique parts make-up of the various VT100 Word Processing Terminals.

The VT100 incorporates a user set-up option which is activated by the set-up key on the keyboard. To maintain order among DEC Word Processing Systems using the VT100, a WORD PROCESSING STANDARD SET-UP had been defined. These settings are preset at the factory.

Table 2 shows the correct set-up B settings for VT100-WA and VT100-WB variations. Table 3 shows the correct settings for VT100-WC through VT100-WK, VT100-WY, and VT100-WZ

Verify that the terminal is set-up correctly. If necessary, change incorrect settings then store the settings in the VT100's semi-permanent memory (Ref: VT100 User Guide EK-VT100-0011).

Unique to the VT100 Word Processing Terminal is a Word Processing Advanced Video Module P/N 5413097-xx. Table 5 illustrates ROM and jumper placement for the various modules.

Also unique to the VT100 Foreign Word Processing Terminals is a language set-up mode called the set-up C mode. Table No. 4 explains how to use the set-up C mode to select any one of 5 different languages.

Table 1  
 Word Processing VT100 Unique Parts

Variation	Basic Unit	Unique Part	Part Number
VT100-WA	VT100-AA	Word Proc. Key Bd.	7015765-03
		Word Proc. Advanced	
		Video Module	5413097-01
VT100-WB	VT100-AB	Word Proc. Key Bd.	7015765-03
		Word Proc. Advanced	
		Video Module	5413097-01
VT100-WC		French Canadian Key Bd.	7015765-05
		For. Language/Advanced	
		Video Module w/ROM A	5413097-03
		Basic Video Board	5413009-02

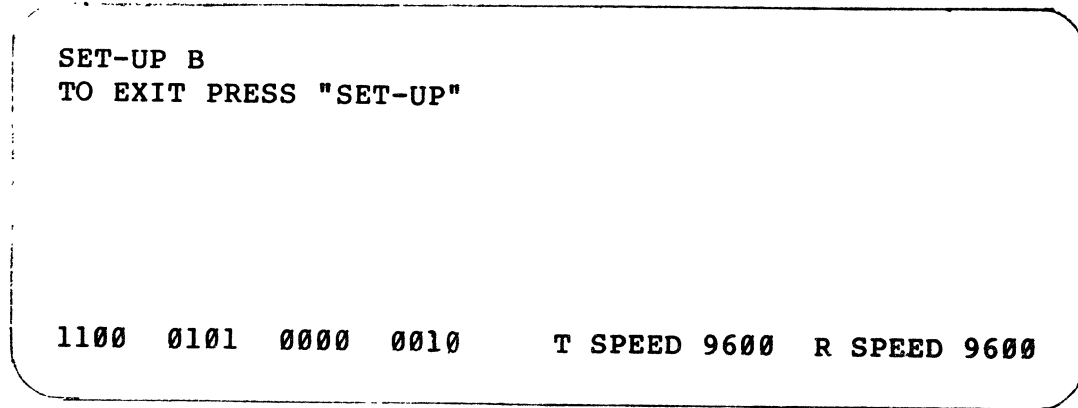
Table 1 (continued)  
 Word Processing VT100 Unique Parts

Variation	Basic Unit	Unique Part	Part Number
VT100-WD		French Canadian Key Bd.	7015765-05
		For. Language Advanced	
		Video Module w/ROM A	5413097-03
		Basic Video Board	5413009-02
VT100-WE		French Key Bd.	7015765-06
		For. Language Advanced	
		Video Module w/ROM A	5413097-03
		Basic Video Board	5413009-02
VT100-WF		French Key Bd.	7015765-06
		For. Language Advanced	
		Video Module w/ROM A	5413097-03
		Basic Video Board	5413009-02
VT100-WG		Dutch Key Bd.	7015765-07
		For. Language Advanced	
		Video Module w/ROM A	5413097-03
		Basic Video Board	5413009-02
VT100-WH		Dutch Key Bd.	7015765-07
		For. Language Advanced	
		Video Module w/ROM A	5413097-03
		Basic Video Board	5413009-02
VT100-WJ		German Key Bd.	7015765-08
		For. Language Advanced	
		Video Module w/ROM A	5413097-03
		Basic Video Board	5413009-02
VT100-WK		German Key Bd.	7015765-08
		For. Language Advanced	
		Video Module w/ROM A	5413097-03
		Basic Video Board	5413009-02
VT100-WY		Word Proc. Key Bd.	7015765-03
		For. Language Advanced	
		Video Module w/ROM A	5413097-03
		Basic Video Board	5413009-02
VT100-WZ		Word Proc. Key Bd.	7015765-03
		For. Language Advanced	
		Video Module w/ROM A	5413097-03
		Basic Video Board	5413009-02

ENG Walt Tremblay	APPD Don Young	SIZE A	CODE SP	NUMBER VT100-W	REV A
----------------------	-------------------	-----------	------------	-------------------	----------

Table 2  
Word Processing User Option Set-up "B"

VT100-WA Set-up B



SET-UP B mode may only be entered from SET-UP A mode. To enter SET-UP B from SET-UP A, press the 5 key on the main keyboard. The display will have a presentation similar to the figure shown above.

The table shown below explains the function of each bit and their proper setting.

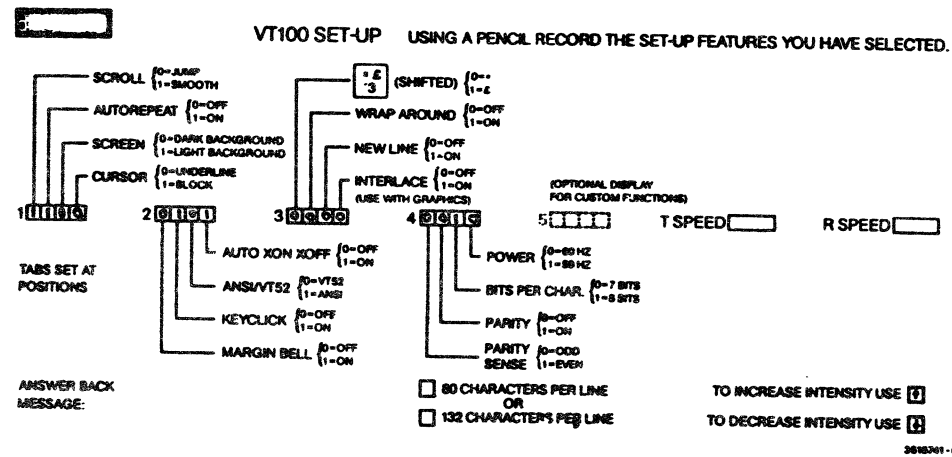
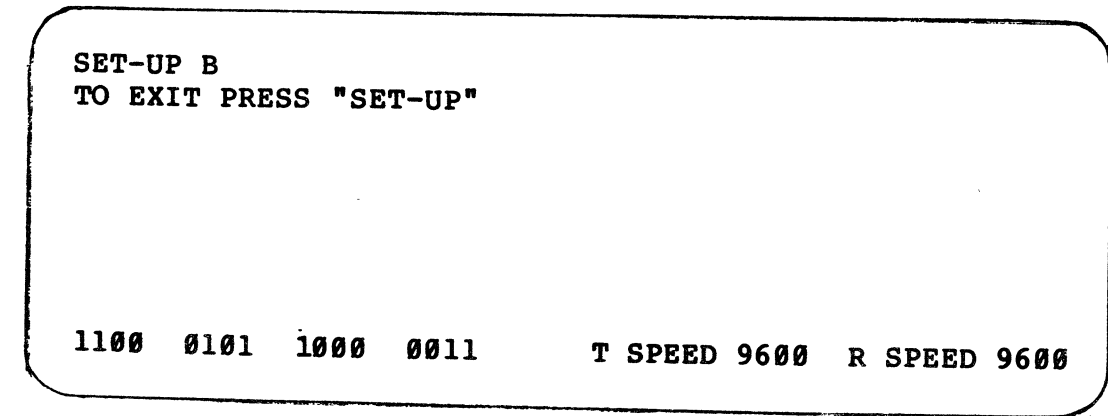


Table 2  
Word Processing User Option Set-up "B"

VT100-WB Set-up B



SET-UP B mode may only be entered from SET-UP A mode. To enter SET-UP B from SET-UP A, press the 5 key on the main keyboard. The display will have a presentation similar to the figure shown above.

The table shown below explains the function of each bit and their proper setting.

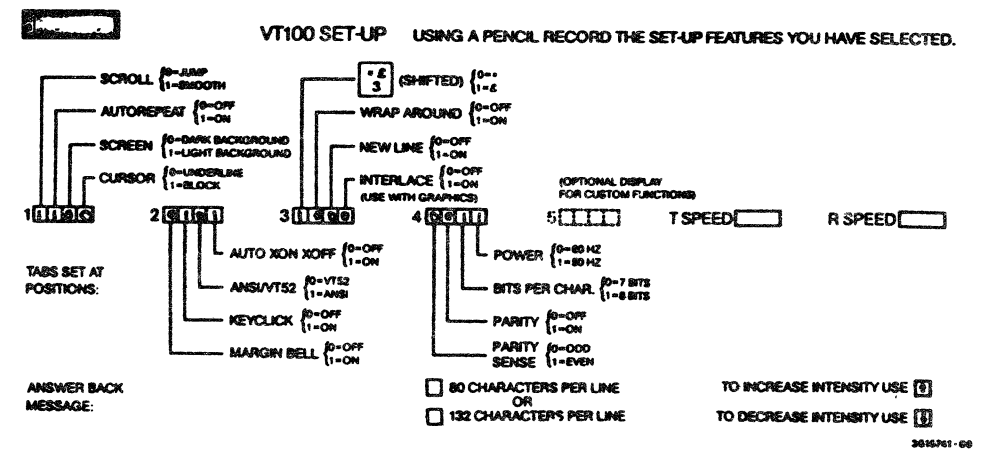




Table 3  
Word Processing User Option Set-up "B"

VT100-WC-WK, WY, and WZ Set-up B

SET-UP B  
TO EXIT PRESS "SET-UP"

1100 0101 0000 0001 P=80 T 9600 R 9600

NOTE: For WC and WD variations Group 4 should contain all zero's, unless 50 Hz, local echo and/or parity check is desired.

SET-UP B mode may only be entered from SET-UP A mode. To enter SET-UP B from SET-UP A, press the 5 key on the main keyboard. The display will have a presentation similar to the figure shown above.

The table shown below explains the function of each bit and their proper setting.

If the parity setting (P=?) is incorrect, it can be changed by holding the shift key down and pressing the P key repeatedly until the desired setting is displayed.

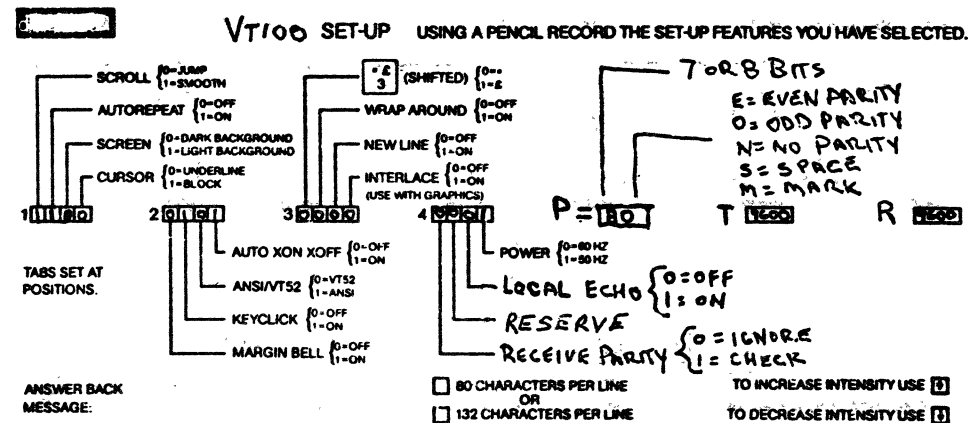


Table 4  
Word Processing User Option Set-Up C

The SET-up C mode for VT100 variations -WC through WK, -WY and -WZ allows you to select any one of the following languages.

French Canadian  
French  
Dutch  
German  
English

SET-UP C mode may only be entered from SET-UP A mode. To enter SET-UP C from SET-UP A, press the 5 key on the main keyboard twice. The display will have a presentation similar to the figure shown below.

SET-UP C  
TO EXIT PRESS "SET-UP"

DISPLAY ENGLISH

KEYBOARD ENGLISH

To change the language setting for the display and/or keyboard, advance the cursor until it is positioned above the incorrect language setting then press the number 6 key repeatedly until the desired language setting is displayed.

For terminals set-up for French all numbers (0-9) on the main keyboard are in the shifted position, therefore, they can only be accessed by holding the shift key down and then pressing the desired number key.

It is suggested that the "Caps Lock" key ("Shift Lock" in the French keyboard mode) be always engaged when doing set-up functions to eliminate confusion during set-up.

Table 5  
Word Processing Adv. Video Module  
ROM and Jumper Locations

VT100-WA & WB 5413097-01

\*\*\*\*\*

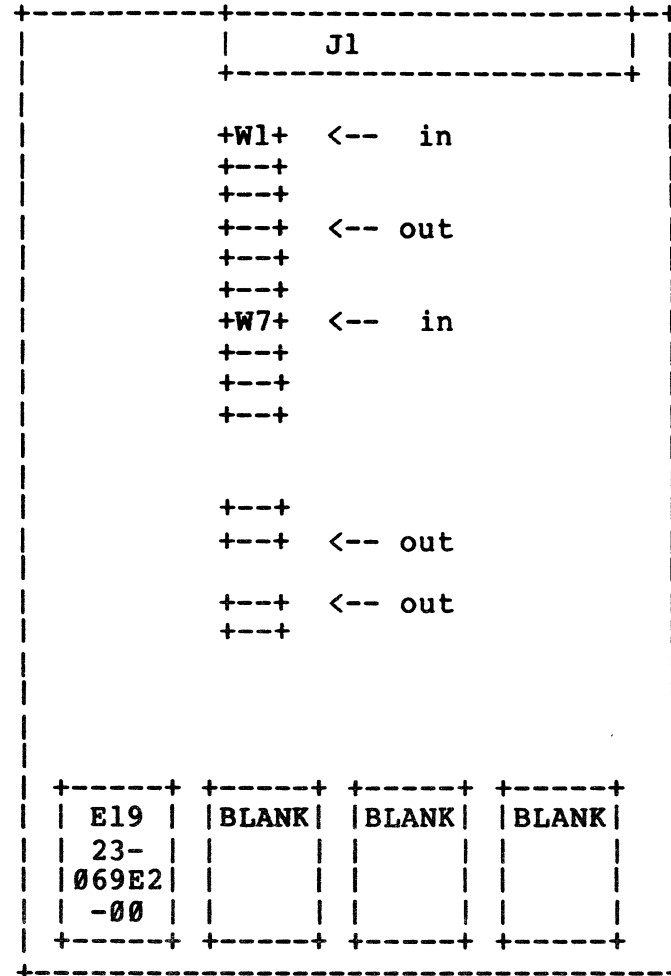
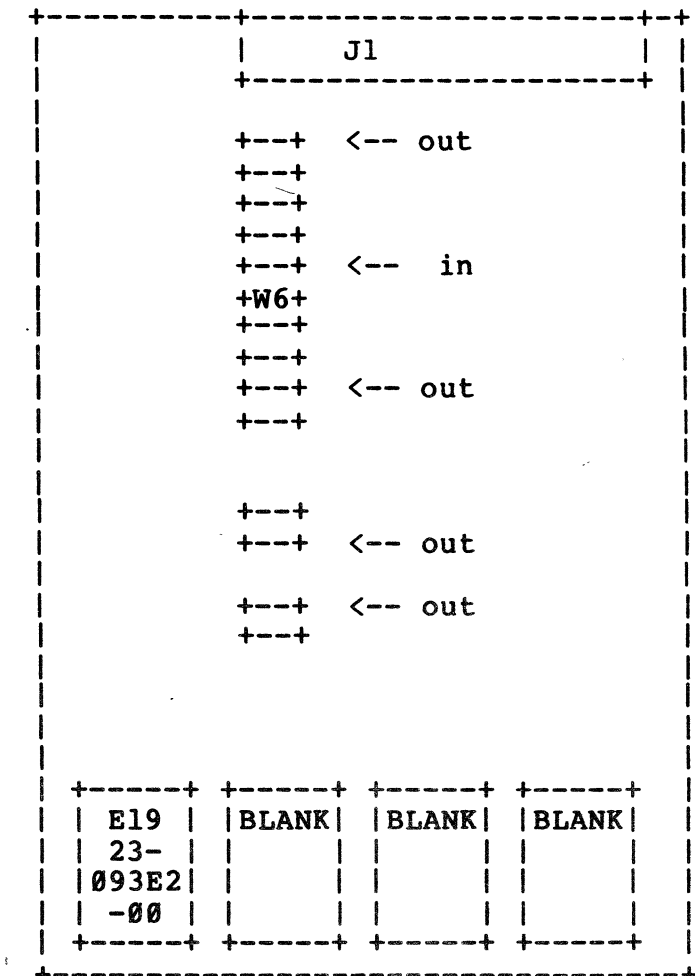


Table 5 (continued)  
Word Processing Adv. Video Module  
ROM and Jumper Locations

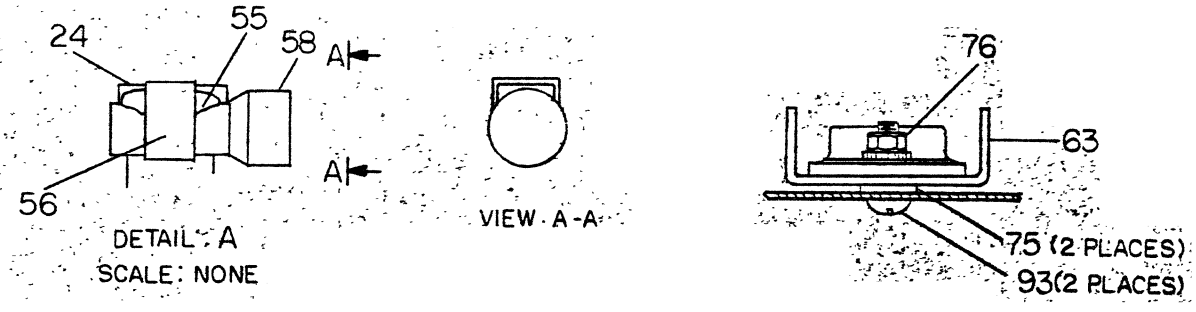
VT100-WC-WK, WY & WZ 5413097-03

\*\*\*\*\*



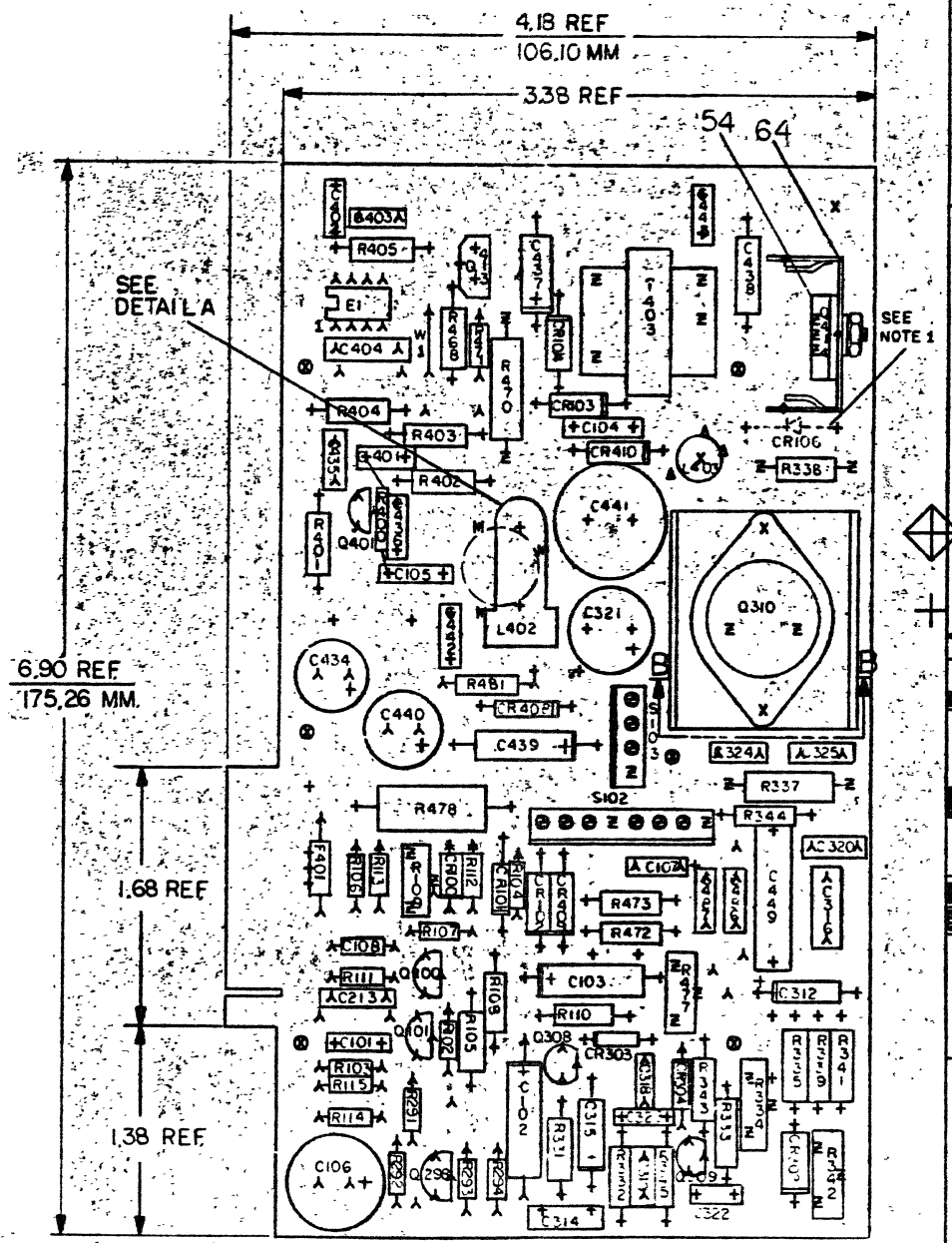
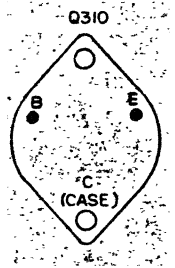
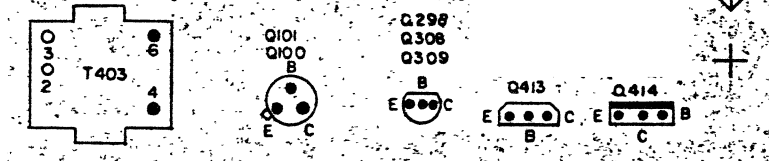
THIS DRAWING AND INFORMATION CONTAINED HEREIN ARE THE PROPERTY OF SPECTRA ELECTRONIC CORPORATION AND SHALL NOT BE REPRODUCED OR COPIED IN WHOLE OR IN PART, IN ANY FORM OR BY ANY MEANS, WITHOUT THE WRITTEN PERMISSION OF SPECTRA ELECTRONIC CORPORATION.

COMPONENT SIDE VIEW



VIEW B-B

TRANSISTORS BOTTOM VIEW



NOTES: 1 CR106 DO NOT USE  
2 MAXIMUM LEAD LENGTH PROTRUSION .150 INCH ON SIDE 2

CHK	CHANGE NO	REV	DATE	BY	REASON
	22	SHARSH-NL 0107 P	11-27-77	R P UCCI	
	23	SHARSH-NL 0108 R	12-1-77	K TENNEY	
	24	SHARSH-NL 0109 S	12-1-77	C TANNER	

STEP	Y	FXIS	STEP	TIMES
REPRT	X	FXIS	STEP	TIMES

ETCH REV. D-PI
----------------

SIGNATURES	DATE	TITLE
DRN. <i>[Signature]</i>	11-27-77	digital
CHK'D <i>[Signature]</i>	12-20-77	
MECH. ENG <i>[Signature]</i>	11-28-77	
PROJ. ENG <i>[Signature]</i>	11-28-77	
PROD. <i>[Signature]</i>	11-28-77	
SCALE 2/1	SIZE CODE	NUMBER
SHT. 1 OF 1	D UA 541431-0-0	S
NEXT HIGHER ASSY. B-DD-541431-0		

Automated BY PRTLST.3P(44)

PARTS LIST

QTY PER VARIATION

LINE ITEM	DOCUMENT NUMBER	PART NUMBER	DESCRIPTION	00	01	REFERENCE DESIGNATOR
1	E-MD-5014130-0-0	5014130-00	DRILLED AND ETCH BOARD FOR VT100	1	1	
2		1016544-00	.1 MFD 100V 10% MYLR	2	2	C107,C442
3		1016546-00	.22 MFD 660V 10% MET. MYLR	1	1	C449
4		1016569-00	.0022 MFD 100V 10% MYLR	2	2	C436,C402
5		1016639-00	.01 MFD 200V 10% MYLR	1	1	C320
6		1016547-00	.022 MFD 200V 10% MYLR	1	1	C438
7		1016548-00	1000 MFD 16V +50-10% AL EL	1	1	C321
8		1010274-02	1 MFD 50V +80-20% CER	1	1	C443
9		1016555-00	22 MFD 50V +50-10% AL EL	2	2	C102,C103
10		1016496-00	4.7MFD 35V 20% S.TANT	2	2	C318,C319
11		1016554-00	75 MFD 6V +75-10% AL EL	1	1	C439
12		1016553-00	4.7MFD 25V +75-10% AL EL	2	2	C312,C437
13		1016558-00	10 MFD 25V 20% AL EL	1	1	C441
14		1016557-00	470 MFD 16V +50-10% AL EL	3	3	C106,C434,C440
15		1016556-00	.05 MFD 100V +80-20%ZSU DISC	3	3	C213,C314,C404
16		1016570-00	.001 MFD 500V +80-20%ZSU DISC	2	2	C435,C403
17		1016571-00	.02 MFD 500V +80-20%ZSU DISC	4	4	C104,C105,C486,C487
18		1016572-00	300.0 MMF 500V 10% X5P DISC	1	1	C101
19		1000004-00	.02 MFD 100V 20% ZSU DISC	4	4	C322,C323,C324,C325
20		1116474-00	1N 4007 PIV=1000 I=1A D041	4	4	CR101,CR102,CR103,CR104
21		1116477-00	1N 4156 PIV= 20 D035	1	1	CR304
22		1114892-00	1N 4747A VZ= 20.0 5% 1W	1	1	CR410
23		1116476-00	PIV=400 I=2 A	1	1	CR408
24		1216530-04	MAGNET,PINCUSHION 10 GAUSS	1	1	
25	SEE NOTE	1003053-00	.047 MFD 250V 20% MET. MYLR	1	1	C316
26		1316522-00	2.50 K .25 W20.0 % POT	1	1	R342
27		1316522-02	5.0 M .25 W20.0 % POT	1	1	R477
28		1316522-01	100.0 K .25 W20.0 % POT	2	2	R109,R334
29		1317528-00	39.0 2.0 W10.0 % CC	1	1	R470
30		1300479-00	10.0 K .25 W 5.0 % CC	1	1	R291

REVISION HISTORY		BASIC PART NO: 5414131		DRN:	KENT GLEEZEN	DATE:	24-MAR-81	D I G I T A L			
ENGR	ECO NUMBER	REV	SECTION A OF A	CHK'D:	KENT GLEEZEN	DATE:	24-MAR-81	TITLE PARTS LIST			
	INITIAL	P	SECTION VARIATION INDEX	DES.ENG:	DICK PUCCI	DATE:	24-MAR-81	VT100 MONITOR			
DP	5414131-ML007	R	[A] 00,01	RESP.ENG.:	DICK PUCCI	DATE:	24-MAR-81	DOCUMENT NUMBER			
DP	5414131-ML008	S	[B]	MFG.ENG.:	AL JOHNS	DATE:	24-MAR-81	SIZE	CODE	NUMBER	REV
CT	5414131-ML010	T	[C]	ASSEMBLY NUMBER:		TOP DOCUMENT NUMBER:		K	PL	5414131-0-DBP	T
			[D]	ID-UA-5414131-0-0		B-DD-5414131-0-0					
			[E]								
			[F]								
			[G]								
			[H]								
			[I]								
			[J]								
			[K]								
			[L]								
			[M]								
			[N]								

\*THIS DRAWING AND SPECIFICATIONS HEREIN, ARE THE PROPERTY OF DIGITAL EQUIPMENT CORPORATION AND SHALL NOT BE REPRODUCED OR COPIED OR USED IN WHOLE OR IN PART AS THE BASIS FOR THE MANUFACTURE OR SALE OF ITEMS WITHOUT WRITTEN PERMISSION. COPYRIGHT (C) 1982, DIGITAL EQUIPMENT CORPORATION \*

Automated by PRTLST,3P(44)

PARTS LIST

LINE	ITEM	DOCUMENT NUMBER	PART NUMBER	DESCRIPTION	QTY PER VARIATION		REFERENCE DESIGNATOR
					00	01	
31	31		1300445-00	4.70 K .50 W 5.0 Z	CC	1 1	R331
32	32		1316504-00	68.0 K .50 W 5.0 Z	CC	1 1	R332
33	33		1300385-00	1.20 K .50 W 5.0 Z	CC	1 1	R344
34	34		1316506-00	100.0 K .50 W 5.0 Z	CC	2 2	R472,R473
35	35		1316508-00	5.60 K .50 W 5.0 Z	CC	1 1	R338
36	36		1316509-00	3.90 1.0 W 5.0 Z	CC	1 1	R337
37	37		1302396-00	150.0 K .25 W 5.0 Z	CC	1 1	R106
38	38		1300228-00	100.0 .50 W 5.0 Z	CC	2 2	R481,R343
39	39		1300364-00	1.0 K .50 W 5.0 Z	CC	1 1	R468
40	40		1300296-00	330.0 .50 W 5.0 Z	CC	1 1	R345
41	41		1300356-00	820.0 .50 W10.0 Z	CC	1 1	R106
42	42		1300461-00	6.80 K .50 W 5.0 Z	CC	1 1	R339
43	43		1300440-00	3.30 K .50 W 5.0 Z	CC	1 1	R110
44	44		1300496-00	15.0 K .25 W 5.0 Z	CC	1 1	R107
45	45		1300274-00	220.0 .50 W 5.0 Z	CC	1 1	R105
46	46		1300285-00	270.0 .50 W 5.0 Z	CC	1 1	R341
47	47		1316525-00	1.0 3.0 W10.0 Z	WM	1 1	R478
48	48		1509525-00	2N 3906 PNP 310MW SI 40100 Y		1 -	Q278
			CONT			- 2	Q298,Q100
49	49		1516492-00	2N 5830 NPN 1W SI100 1		1 1	Q101
50	50		1509524-00	2N 3904 NPN 310MW SI 40 40 M		2 2	Q308,Q401
51	51		1516491-00	2N 6427 NPN 1.5W SI 40 1.5		1 1	Q309
52	52		1516532-00	NPN 125W SI250 25		1 1	Q310
53	53		1516490-00	MPSU05 NPN 10W SI		1 1	Q413
54	54		1517534-00	BU 407D NPN POWER TRANS 10220		1 1	Q414
55	55		4901303-00	MAX		A/R A/R	
56	56		9107685-00	TUBING,SHRINK 1/2 DIA.FXP UL		A/P A/R	
57	57		1616309-00	XFMR,HORIZONTAL DRIVE		1 1	T403
58	58		1616538-00	COIL,HORIZONTAL,LINEAR		1 1	L402
59	59		1616536-00	XFMR HORIZONTAL WIDTH		1 1	L403
60	60		1210929-05	FUSE, SUB-MINI, 2.500A, 125V, A		1 1	F401
61	61		1216521-01	PCB,HEADER 08PIN(1X08).156CC STR		1 1	S102
62	62		1216521-00	PCB,HEADER 04PIN(1X04).156CC STR		1 1	S103
63	63		1216471-00	HEAT SINKS,TO-3/TO-66 1.531X1.25		1 1	
64	64		1217561-00	HEAT SINKS,TO-220 1.390X1.00		1 1	
65	65		4901304-00	COMPOUND, SILICONE THERMAL, VISC		A/R A/R	
66	66		9006022-01	*** THIS ITEM IS NOT USED ***		- -	
67	67		1001776-00	1 MFD 35V 10% S.TANT		1 1	C315
68	68		1304837-00	24.0 K .25 W 5.0 Z	CC	1 1	R335
69	69		1300315-00	470.0 .50 W 5.0 Z	CC	1 1	R401
70	70		1300415-00	2.20 K .50 W 5.0 Z	CC	2 2	R402,R403
71	71		1300443-00	3.90 K .50 W 5.0 Z	CC	2 2	R404,R333
72	72		1300467-00	7.50 K .50 W 5.0 Z	CC	1 1	R405
73	73		1000042-00	1000.0 MMF 100V 5%200PPM MICA		1 1	C401
74	74		1911944-00	555CN TIMER,FUNCT.BLOCK		1 1	E1
75	75		9006659-00	WASHER,FLAT STEEL		2 2	
76	76		9008185-00	NUT,KEP 6-32X 1/4 AF		3 3	
77	77		1300197-00	33.0 .25 W 5.0 Z	CC	1 1	R471

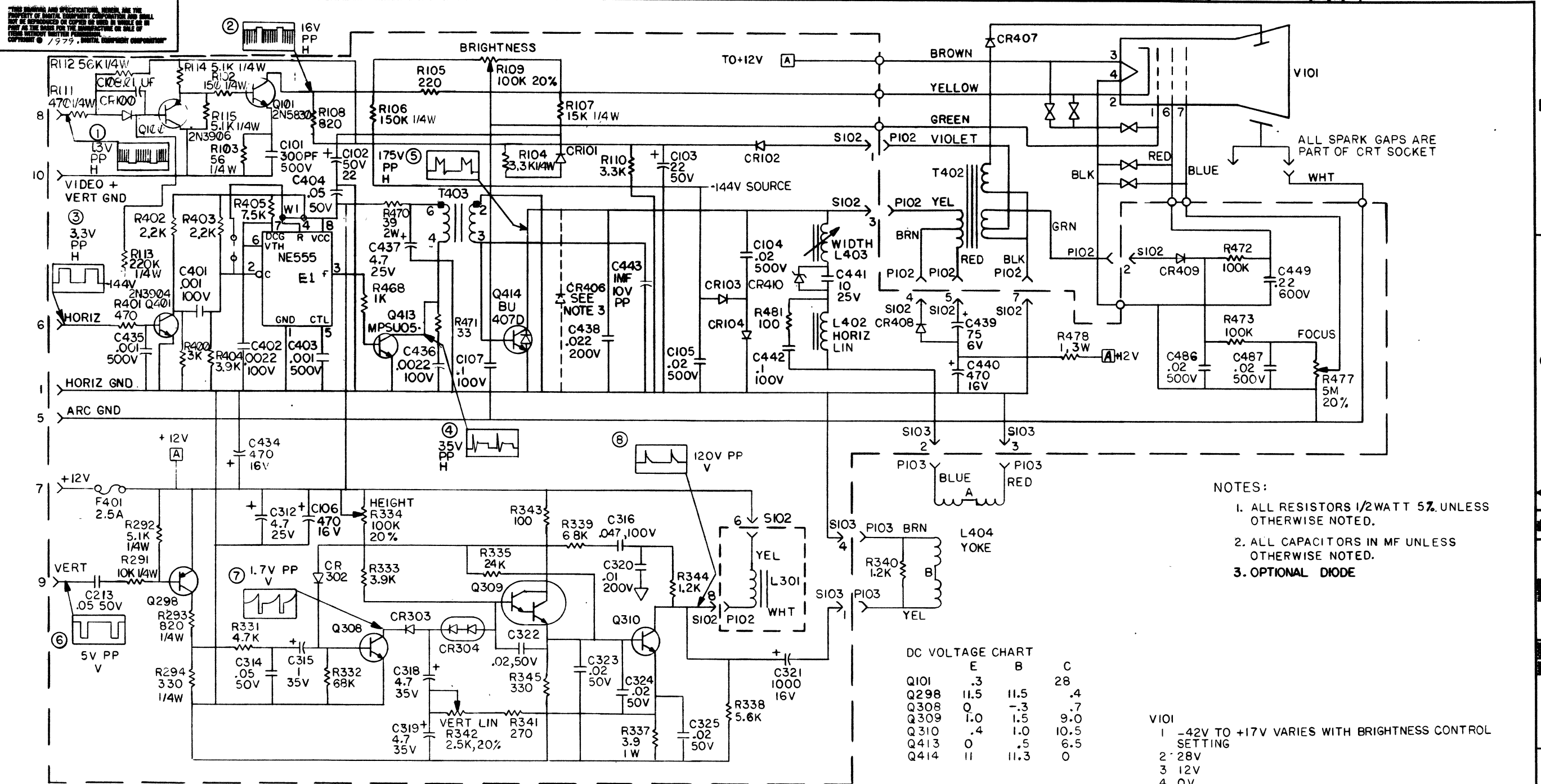
D	I	G	I	T	A	L	TITLE	SECTION A	OF A	SIZE	CODE	DOCUMENT NUMBER	REV
							VT100 MONITOR			K	PL	5414131-0-DBP	T

LINE ITEM	DOCUMENT NUMBER	PART NUMBER	DESCRIPTION	QTY PER VARIATION		REFERENCE DESIGNATOR
				00	01	
78	78	1300432-00	3.0 K .25 W 5.0 Z CC	1	1	R400
79	79	1300439-00	3.30 K .25 W 5.0 Z CC	1	1	R104
80	80	1301775-00	820.0 .25 W 5.0 Z CC	1	1	R293
81	81	1306295-00	330.0 .25 W 5.0 Z CC	1	1	R294
82	82	9107776-99	WIRE(WRAP) 27AWG IPVC UL142	A/R	-	
83	83	9009185-00	JUMPER, WIRE, INSULATED, BLACK B	1	1	W1
84	84	1302602-00	56.0 .25 W 5.0 Z CC	2	-	R102,R103
		CONT		-	1	R103
85	85	1300250-00	150.0 .25 W 5.0 Z CC	-	1	R102
86	86	1300316-00	470.0 .25 W 5.0 Z CC	-	1	R111
87	87	1302395-00	56.0 K .25 W 5.0 Z CC	-	1	R112
88	88	1302092-00	220.0 K .25 W 5.0 Z CC	1	1	R113
89	89	1312930-00	5.10 K .25 W 5.0 Z CC	1	-	R292
		CONT		-	3	R292,R114,R115
90	90	1001610-00	.01 MFD 50V +80-20% Z5U CFR	-	1	C108
91	91	1116475-00	1N 4148 PIV= 75 D035	2	-	CR302,CR303
		CONT		-	3	CR302,CR303,CR100
92	92	1111854-01	MK 817 PIV=800 I= 1A D041 S	1	1	CR409
93	93	9006023-01	SCREW,MACH FAN PHIL 6-	2	2	

94 NOTE: P/N 1000051-00 CAN BE USED AS AN ALTERNATE FOR P/N 1003053-00.

DIGITAL				TITLE	SECTION A OF A		SIZE	CODE	DOCUMENT NUMBER	REV
				VT100 MONITOR			K	PL	5114131-0-DBP	T

THIS DRAWING AND INFORMATION HEREON ARE THE PROPERTY OF DIGITAL EQUIPMENT CORPORATION AND SHALL NOT BE REPRODUCED OR COPIED OR USED IN WHOLE OR IN PART ON THE BASIS OF THE MANUFACTURE OR SALE OF THIS DRAWING WITHOUT THE WRITTEN PERMISSION OF DIGITAL EQUIPMENT CORPORATION  
COPYRIGHT © 1979, DIGITAL EQUIPMENT CORPORATION



- NOTES:**
1. ALL RESISTORS 1/2WATT 5% UNLESS OTHERWISE NOTED.
  2. ALL CAPACITORS IN MF UNLESS OTHERWISE NOTED.
  3. OPTIONAL DIODE

**V101**

1 -42V TO +17V VARIES WITH BRIGHTNESS CONTROL SETTING

2 -28V

3 12V

4 0V

5 NC

6 +365V

7 0V TO +360V VARIES WITH FOCUS CONTROL SETTING 2ND ANODE 12KV

REV.	DATE	BY	CHK'D	DESCRIPTION
1	1-15-79	C. JAMES		REVISED
2	5-14-81	R. PUCCI		REVISED
3	5-29-80	R. PUCCI		REVISED
4	11-1-80	R. PUCCI		REVISED
5	1-15-80	R. PUCCI		REVISED
6	1-15-80	R. PUCCI		REVISED
7	1-15-80	R. PUCCI		REVISED
8	1-15-80	R. PUCCI		REVISED

DRN. P. Miller	1 MAR 79	FIRST USED ON	VT100
CHK'D. R. P. Miller	23 Jan 79	TITLE	VT100 MONITOR
ENG. R. J. Dickson	23 Jan 79	SCALE	D
PROJ. ENG. J. P. Miller	23 Jan 79	SIZE CODE	CS 5414131-0-1
PROD. J. P. Miller	23 Jan 79	NUMBER	1
NEXT HIGHER ASSY.		REV.	S
D-UA-5414131-0-C		SHEET	1 OF 1