

"THIS DOCUMENT AND SPECIFICATION HEREIN, ARE THE PROPERTY OF DIGITAL EQUIPMENT CORPORATION AND SHALL NOT BE REPRODUCED OR COPIED OR USED IN WHOLE OR IN PART AS THE BASIS FOR THE MANUFACTURE OR SALE OF ITEMS WITHOUT WRITTEN PERMISSION."
 COPYRIGHT (C) 1987. DIGITAL EQUIPMENT CORPORATION

TABLE OF CONTENTS, FIELD MAINTENANCE PRINT SET PART NO. MP02412-01

UNIT VARIATIONS COVERED BY THIS PRINT SET

	VT340-A2	VT340-A3	VT340-A4	VT340-A5
K-TC-VT340-0-1	TABLE OF CONTENTS		E-AD-7023687-0-DBU	ASSY DWG, REAR COVER ASSY
K-DD-VT340-0	DWG DIR, COLOR GRAPHIC TERMINAL		K-PL-7023687-0-DBP	PARTS LIST
E-UA-VT340-0-DBU	UNIT ASSY		E-AD-7023688-0-DBU	ASSY DWG, BEZEL/CRT/CHASSIS ASSY
K-PL-VT340-0-DBP	PARTS LIST		K-PL-7023688-0-DBP	PARTS LIST
B-DD-5416963-0-0	DWG DIR, VIDEO AMPLIFIER MODULE		C-AD-7022618-0-DBU	ASSY DWG, CONTROL/BRKT ASSY
K-FL-5416963-0-DBP	PARTS LIST		K-PL-7022618-0-DBP	PARTS LIST
D-UA-5416963-0-0	UNIT ASSY		A-PA-3700968-0-0	PKG MONITOR VT340 INTERPLANT
B-CS-5416963-0-1	SCHEMATIC			
B-DD-5416965-0-0	DWG DIR, TERMINAL CONTROL MODULE			
K-PL-5416965-0-DBP	PARTS LIST			
D-UA-5416965-0-0	UNIT ASSY			
B-CS-5416965-0-1	SCHEMATIC			
C-AD-7022623-0-DBU	ASSY DWG, ROM CARTRIDGE ASSY, VT330/340			
K-PL-7022623-0-DBP	PARTS LIST			
D-IA-7024516-0-DBU	INSEP ASSY, PS/MONITOR AND ARC PROTECTION ASSY			
K-PL-7024516-0-DBP	PARTS LIST			
B-DD-5416961-0-0	DWG DIR, PWR SUP/MONITOR MODULE			
K-PL-5416961-0-DBP	PARTS LIST			
D-UA-5416961-0-0	UNIT ASSY			
B-CS-5416961-0-1	SCHEMATIC			
B-DD-5417106-0-0	DWG DIR, CRT ARC PROTECTION MODULE			
K-PL-5417106-0-DBP	PARTS LIST			
D-UA-5417106-0-0	UNIT ASSY			
B-CS-5417106-0-1	SCHEMATIC			
E-MD-7433422-0-DBU	MECH DETAIL, PANEL, REAR			
C-AD-7022620-0-DBU	ASSY DWG, INLET/SWITCH ASSY			
K-PL-7022620-0-DBP	PARTS LIST			

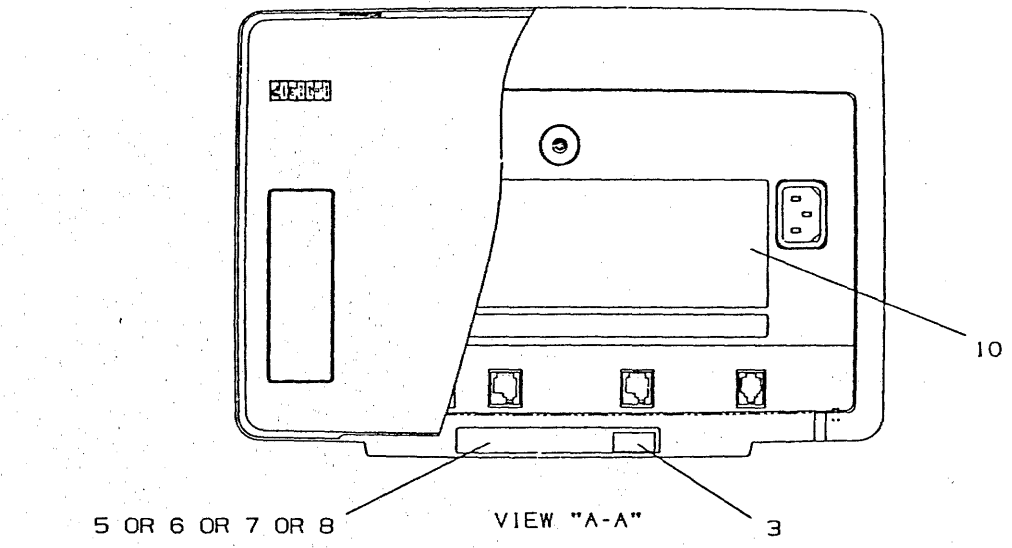
REVISION HISTORY

DATE	ECO NUMBER	REV	DATE	ECO NUMBER	REV	DATE	ECO NUMBER	REV	DATE	ECO NUMBER	REV
3 Feb 87	INITIAL	A									

D	I	G	I	T	A	L	IDRN: Bruce Harvey	DATE	2 FEB 87	TITLE: TABLE OF CONTENTS
							CHK'D: Oliver Lin	DATE	3 Feb 87	VT340 COLOR GRAPHIC TERMINAL
							DES.ENG: Oliver Lin	DATE	3 Feb 87	
							FIELD SERVICE: Bob Welch	DATE	3 Feb 87	SECTION SHEET DOCUMENT NUMBER REV
							IMFG.ENG: Gordon Wu	DATE	3 Feb 87	A OF A 1 OF 1 K-TC-VT340-0-1 A

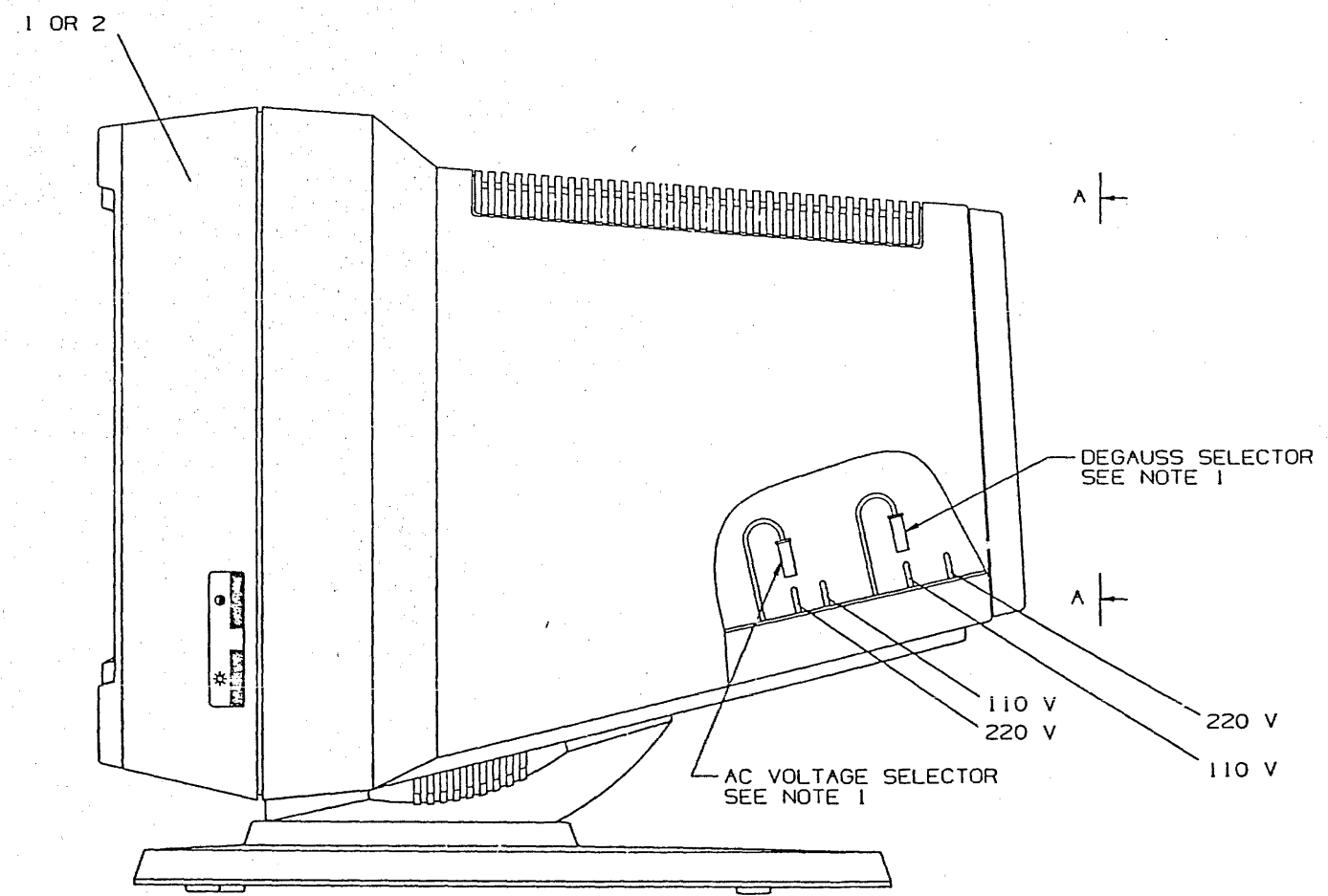
8 6 5 4 3 2 1

1987



NOTES:
1. THE VOLTAGE MUST BE SET FOR END USE BY CONNECTING JUMPER TO DESIRED VOLTAGE.

PART NO.	JUMPER POSITION
VT340-A2	110V
VT340-A3	220V
VT340-A4	110V
VT340-A5	220V



CAUTION: OFF SHEET PARTS LIST EXISTS. SEE K-PL-VT340-0-DBP (MLA0362B.PLS)

REV.	DATE	BY	CHKD.	DESCRIPTION
1				RELEASED
2				VT340-ML001
3				C. M. MOORE 18-SEP-87
4				RON HOFFMAN

DESCRIPTION	DRAWING NO.	PART NO.
UNLESS OTHERWISE SPECIFIED DIMENSIONS ARE IN INCHES AND THE FOLLOWING TOLERANCES APPLY (PER DEC STD 113)		
DIMENSIONS SHOWN IN INCHES		
QUANTITY & VARIATION	DATE	TITLE
	J.N. LIN 27-FEB-80	UNIT ASSY
	J.P. LO 18-DEC-80	
	K.L. SHEN 27-FEB-80	
	O. LIN 18-DEC-80	
	G. WU 23-JAN-81	
	K-00-VT340-0-0	
	UA	VT340-0-DBU
		B

7 6 5 4 3 2 1

LINE	ITEM	TOP DOCUMENT	PART NUMBER	MIN REV	DESCRIPTION	QUANTITY PER VARIATION/REVISION			
						A2 B1	A3 B1	A4 B1	A5 B1
1	1	E-AD-7023725-0-DBU	70-23725-01	A	TERMINAL SUBASSM	1	1	-	-
2	2	E-AD-7023725-0-DBU	70-23725-02	A	TERMINAL SUBASSM	-	-	1	1
3	3		36-18460-01		LABEL,BAR CODE BLANK .38 X1.5	1	1	1	1
4	4				*** THIS ITEM IS NOT USED ***	-	-	-	-
5	5		36-26331-13		LABEL,SERIAL VT340-A2	1	-	-	-
6	6		36-26331-14		LABEL,SERIAL VT340-A3	-	1	-	-
7	7		36-26331-15		LABEL,SERIAL VT340-A4	-	-	1	-
8	8		36-26331-16		LABEL,SERIAL VT340-A5	-	-	-	1
9	9		37-00968-01		PKG MONITOR VT340 INTERPLANT	1	1	1	1
10	10		36-26330-07	A	LABEL,REGULATORY VT340 CLASS A W/O	1	1	1	1

REVISION HISTORY			KPL MATRIX FORMAT		SECTION A OF A		DRN: J. N. LIN		D I G I T A L			
ENG	ECO NUMBER	REV	SECTION/VARIATION INDEX		DATE: 28-FEB-86		CHK'D: J. P. LO		TITLE		PARTS LIST	
---	INITIAL	A	[A] A2,A3,A4,A5		DATE: 18-DEC-86		DATE: 18-DEC-86		UNIT ASSY			
RH	VT340-MLO01	B	[B]				DES.ENG: K.L. SHEN		DOCUMENT NUMBER			
			[C]				DATE: 28-FEB-86		SIZE		CODE	
			[D]				RESP.ENG.: O. LIN		NUMBER		REV	
			[E]				DATE: 18-DEC-86		K		PL	
			[F]				MFG.ENG: GORDON WU		VT340-0-DBP		B	
			[H]				DATE: 26-JAN-87		RELEASE DATE: 21-SEP-87			
			[J]						RELEASE STATUS: RELEASED			
			BASIC PART NUMBER:		ASSEMBLY NUMBER:		TOP DOCUMENT NUMBER:		FILE NAME:		EDIT #	
			VT340		E-UA-VT340-0-DBU		K-DD-VT340-0		MLA0362B.PLS		3	

"THIS DRAWING AND THE SPECIFICATIONS CONTAINED HEREIN ARE CONFIDENTIAL AND PROPRIETARY. THEY ARE THE PROPERTY OF DIGITAL EQUIPMENT CORPORATION AND SHALL NOT BE REPRODUCED OR COPIED OR USED IN WHOLE OR IN PART AS THE BASIS FOR THE MANUFACTURE OR SALE OF ITEMS WITHOUT WRITTEN PERMISSION. THIS IS AN UNPUBLISHED WORK PROTECTED UNDER THE FEDERAL COPYRIGHT LAWS."

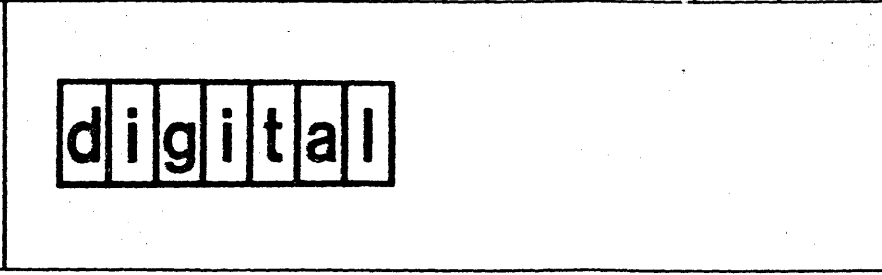
DRAWING NO.	NO. OF SHTS.	PART NO.	DESCRIPTION	REVISIONS															
				A1	A2														
		54-16963-01	VIDEO AMPLIFIER MODULE	A1	A2														
D-UA-5416963-0-0	1		UNIT ASSY	A	A														
B-CS-5416963-0-1	4		SCHEMATIC	A	A														
K-PL-5416963-0-DBP	2		PARTS LIST	A	B														
K-PC-5416963-0-DBV	1		P.C. DESIGN DATA BASE	A	A														
K-CS-5416963-0-DBX	1		VALID DATA BASE	A	A														
		50-16962-01	ETCH CIRCUIT BOARD	F1	F1														
B-DD-5016962-0-0	1		DRAWING DIRECTORY	A	A														

NOTES:

REVISION HISTORY		ECO NO.	REV.
DATE	JAN '87	RELEASED	A
	10 / 87	5416963-ML001	B

THIS DRAWING AND THE SPECIFICATIONS CONTAINED HEREIN ARE CONFIDENTIAL AND PROPRIETARY. THEY ARE THE PROPERTY OF DIGITAL EQUIPMENT CORPORATION AND SHALL NOT BE REPRODUCED OR COPIED OR USED IN WHOLE OR IN PART AS THE BASIS FOR THE MANUFACTURE OR SALE OF ITEMS WITHOUT WRITTEN PERMISSION. THIS IS AN UNPUBLISHED WORK PROTECTED UNDER THE FEDERAL COPYRIGHT LAWS.

1987



DRN.	F. LIU	DATE	5-MAY-86
CHK'D	B. CHEN	DATE	5-MAY-86
DES. ENG.	C.L. CHUANG	DATE	5-MAY-86
RESP. ENG.	L. JEAN	DATE	5-MAY-86
MFG. ENG.	<i>Gary L. ...</i>	DATE	6 Feb 87

TITLE			
DWG DIR, VIDEO AMPLIFIER MODULE			
DOCUMENT NUMBER			
SIZE	CODE	NUMBER	REV.
B	DD	5416963-0-0	B
SHEET 1 OF 1			

LINE	ITEM	TOP DOCUMENT	PART NUMBER	MIN REV	DESCRIPTION	QTY	PER VAR/REV	REFERENCE DESIGNATORS
						01		
						A2		
1	1	B-DD-5016962-0-0	50-16962-01	F	CIRCUIT DRILL AND ETCH	1		
2	2		10-10978-36		0.10 MFD 50V +/-10% X7R C	3		C216,C316,C416
3	3		10-12312-01		0.47 MFD 50V +80/-20% Z5U C	2		C204,C207
4	4		10-12784-00		0.047MFD 50V +80/-20% Z5U C	6		C224,C225,C324,C325,C424,C425
5	5		10-13466-28		1000 PFD 50V +/- 5% NPO C	9		C201,C214,C215,C301,C314,C315, CONT C401,C414,C415
6	6		10-16571-00		0.020MFD 500V +80/-20% Z5U	6		C218,C221,C318,C321,C418,C421
7	7		10-18000-25		220 MFD 16V +/-20% ALU	2		C205,C206
8	8		10-18000-29		10 MFD 25V +75/-20% ALU	4		C200,C217,C317,C417
9	9		10-18000-32		10 MFD 160V +50/-20% ALU	7		C220,C222,C223,C320,C322,C420, CONT C422
10	10		10-26683-02		0.47 MFD 160V +/- 5% MET.	3		C219,C319,C419
11	11		11-16475-00		PIV= 75 - 4NS 1N4148	12		D212-D215,D312-D315,D412-D415
12	12		12-13071-06		INSULATOR,RUBBER SILICONE	3		
13	13		12-27281-01		HEATSINK	3		H208,H308,H408
14	14		12-27247-03		PCB HEADER 16PIN(2X08).100CC 90D	1		J200
15	15		12-27325-04		PCB HEADER 07POS(1X07).156CC STR	1		J204
16	16		13-00228-00		100.0 .50 W 5.0 % CF	3		R233,R333,R433
17	17		13-00247-00		120.0 .25 W 5.0 % CF	3		R223,R323,R423
18	18		13-00271-00		220.0 .25 W 5.0 % CF	15		R228-R231,R251,R328-R331,R351, CONT R428-R431,R451
19	19		13-00365-00		1.0 K .25 W 5.0 % CF	20		R200,R203-R205,R256-R259,R303, CONT R304,R356-R359,R403,R404, CONT R456-R459
20	20		13-00391-00		1.50 K .25 W 5.0 % CF	3		R250,R350,R450
21	21		13-00426-00		2.70 K .25 W 5.0 % CF	1		R301
22	22		13-00439-00		3.30 K .25 W 5.0 % CF	5		R201,R202,R302,R401,R402
23	23		13-01401-00		750.0 .25 W 5.0 % CF	12		R252-R255,R352-R355,R452-R455
24	24		13-01969-00		22.0 .25 W 5.0 % CF	6		R248,R249,R348,R349,R448,R449
25	25		13-10881-01		330.0 .25 W 1.0 % MF FUS	3		R232,R332,R432
26	26		13-12992-00		560.0 K .25 W 5.0 % CF	3		R236,R336,R436
27	27		13-13590-00		1.50 K .25 W 1.0 % RN55D-F10	6		R247,R260,R347,R360,R447,R460

REVISION HISTORY			KPL MODULE FORMAT		SECTION A OF A		DRN: F. LIU		D I G I T A L		
ENG	ECO NUMBER	REV	SECTION/VARIATION INDEX				DATE: 05-MAY-86				
---	INITIAL	A	[A]	01	[M]	CHK'D: B. CHEN		TITLE PARTS LIST			
BB	5416963-ML001	B	[B]		[N]	DATE: 05-MAY-86		VIDEO AMPLIFIER MODULE			
			[C]		[P]	DES.ENG: C L CHUANG		DOCUMENT NUMBER			
			[D]		[Q]	DATE: 05-MAY-86		SIZE	CODE	NUMBER	REV
			[E]		[R]	RESP.ENG.: L. JEAN		K	PL	5416963-0-DBP	B
			[F]		[S]	DATE: 05-MAY-86		RELEASE DATE: 19-OCT-87			
			[H]		[T]	MFG.ENG: G. CHRISTIANSEN		RELEASE STATUS: RELEASED			
			[J]		[V]	DATE: 26-JAN-87					
			[K]		[W]						
			[L]		[Y]						
BASIC PART NUMBER:			ASSEMBLY NUMBER:		TOP DOCUMENT NUMBER:		FILE NAME:		EDIT #		
5416963			D-UA-5416963-0-0		B-DD-5416963-0-0		GH707B.PLS		4		

"THIS DRAWING AND THE SPECIFICATIONS CONTAINED HEREIN ARE CONFIDENTIAL AND PROPRIETARY. THEY ARE THE PROPERTY OF DIGITAL EQUIPMENT CORPORATION AND SHALL NOT BE REPRODUCED OR COPIED OR USED IN WHOLE OR IN PART AS THE BASIS FOR THE MANUFACTURE OR SALE OF ITEMS WITHOUT WRITTEN PERMISSION. THIS IS AN UNPUBLISHED WORK PROTECTED UNDER THE FEDERAL COPYRIGHT LAWS."

AUTOMATED BY VAXKPL (V1.3)

P A R T S L I S T

SHEET A2 OF A2

LINE	ITEM	TOP DOCUMENT	PART NUMBER	MIN REV	DESCRIPTION	QTY PER VAR/REV 01 A2	REFERENCE DESIGNATORS
28	28		13-16839-00	715.0	.25 W 1.0 % RN55D-F10	3	R238,R338,R438
29	29		13-17523-00	1.43 K	.25 W 1.0 % RN55D-F10	3	R237,R337,R437
30	30		13-18341-25	357.0	.25 W 1.0 % RN55D-F10	3	R239,R339,R439
31	31		13-19531-01	221.0	.25 W 1.0 % RN55D-F10	12	R241-R244,R341-R344,R441-R444
32	32		13-27013-08	820.0	5.0 W 5.0 % M.OXIDE	3	R234,R334,R434
33	33		13-27187-01	POT-OPEN/TRIM	5.0K 0.3 W 20.0	2	R206,R406
34	34		13-27187-02	POT-OPEN/TRIM	50.0K 0.3 W 20.0	3	R246,R346,R446
35	35		13-27704-01	180.0	.25 W .1 % RN55E-B 2	3	R240,R340,R440
36	36		15-09524-00	2N 3904	NPN 310MW SI 40 40 M	4	Q200,Q211,Q311,Q411
37	37		15-21002-01	2N 2369A	NPN 200MA 15V T0-18	21	Q202-Q207,Q212,Q302-Q307,Q312, CONT Q402-Q407,Q412
38	38		15-24840-01		NPN ARRAY,DIF AMPL 15V	3	E201,E301,E401
39	39		15-27593-01		2SA1406D,E PNP VIDEO OUT TRANSIS	3	Q209,Q309,Q409
40	40		15-27594-01		2SC3600D,E NPN VIDEO OUT TRANSIS	3	Q210,Q310,Q410
41	41		15-27595-01		25C3598D,E NPNM VIDEO OUT TRANSI	3	Q208,Q308,Q408
42	42		16-09756-00		*** THIS ITEM IS NOT USED ***	-	
43	43		16-12946-04		6.8 UH 10% Q MIN=52@7.9MHZ	5	L200-L204
44	44		16-18238-02		BEAD,FERRITE .1380DX.330LG	12	L224-L227,L324-L327,L424-L427
45	45		16-27761-01		10.0 UH 10% Q= 55 @ 7.9MHZ SRF=	1	L220
46	46	B-IA-7024050-0-DBU	70-24050-01 A		RGB OUTPUT WIRE ASSY	1	
47	47	C-MD-7430831-0-0	74-30831-02 A		GROUND CLIP	2	
48	48		90-06010-01		SCREW,MACH PAN PHIL 4-	3	
49	49		90-09798-01		SPACER,CLEAR HOLE RND CERAM .07	6	
50	50	SEE NOTE 1	16-28226-01		CHOKO COIL 2.2UH 10%	3	L223,L323,L423

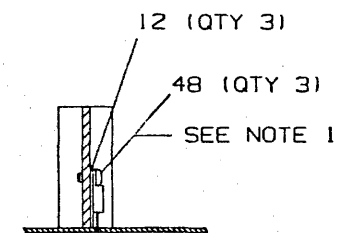
1 GEN: P/N 1609756-00 IS AN ALTERNATE ACCEPTABLE PART FOR ITEM NUMBER 50 (P/N 1628226-01).

D	I	G	I	T	A	L	TITLE	SECTION A	OF A	SIZE	CODE	DOCUMENT NUMBER	REV
							VIDEO AMPLIFIER MODULE			K	PL	5416963-0-DBP	B

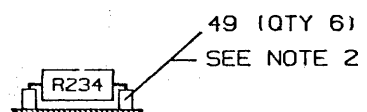
THIS DRAWING AND THE SPECIFICATIONS CONTAINED HEREIN ARE CONFIDENTIAL AND PROPRIETARY. THEY ARE THE PROPERTY OF DIGITAL EQUIPMENT CORPORATION AND SHALL NOT BE REPRODUCED OR COPIED OR USED IN WHOLE OR IN PART AS THE BASIS FOR THE MANUFACTURE OR SALE OF ITEMS WITHOUT WRITTEN PERMISSION. THIS IS AN UNCLASSIFIED WORK PROTECTED UNDER THE FEDERAL COPYRIGHT LAWS. COPYRIGHT © 1987 DIGITAL EQUIPMENT CORPORATION

NOTES:

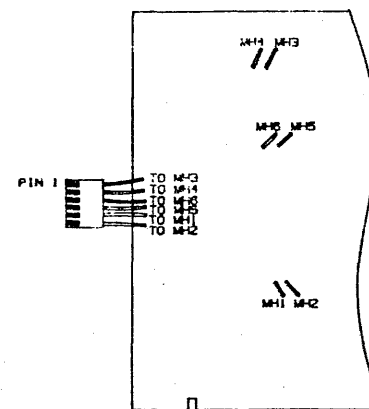
1. TORQUE REQUIREMENTS 3-5 IN-LBS FOR ITEM 48.
2. PUT ITEM 49 PN 90-09798-01 ON PIN 1 & PIN 2 OF R234, R334 & R434.
3. SOLDER ITEM 47 PN 74-30831-02 ON SIDE TWO GND ETCH.
4. ST1 IS NOT INSERTED.



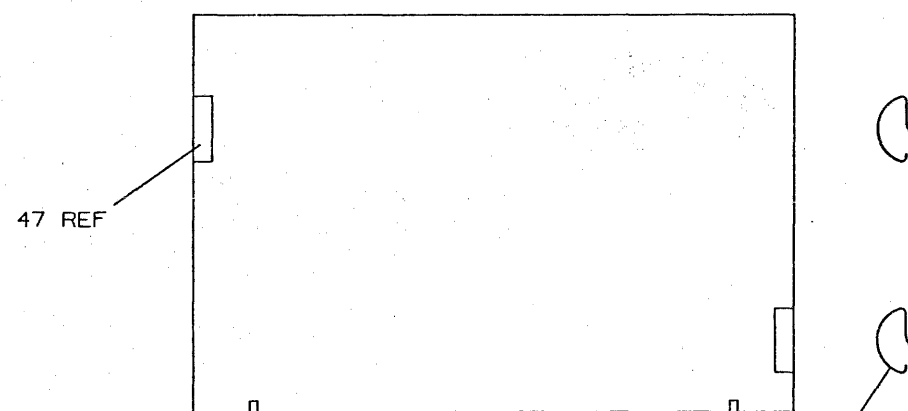
SECTION "A-A"



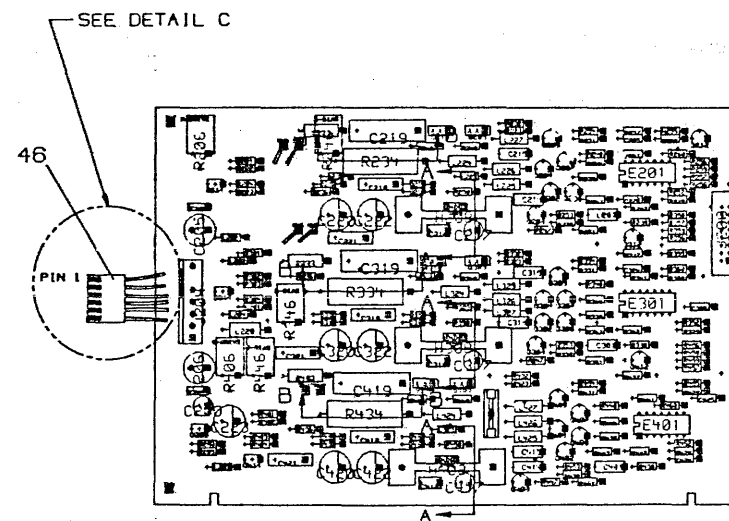
SECTION "B-B"



DETAIL "C"

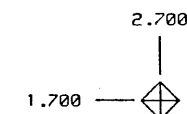


SIDE 2



SEE NOTE 3

47 (QTY 2)



H-MASTER-REF.

CHK	DRAWN BY	ENGINEER	CHANGE NO	DATE	REV	CHK	DRAWN BY	ENGINEER	CHANGE NO	DATE	REV
			RELEASED	JAN-87	A						

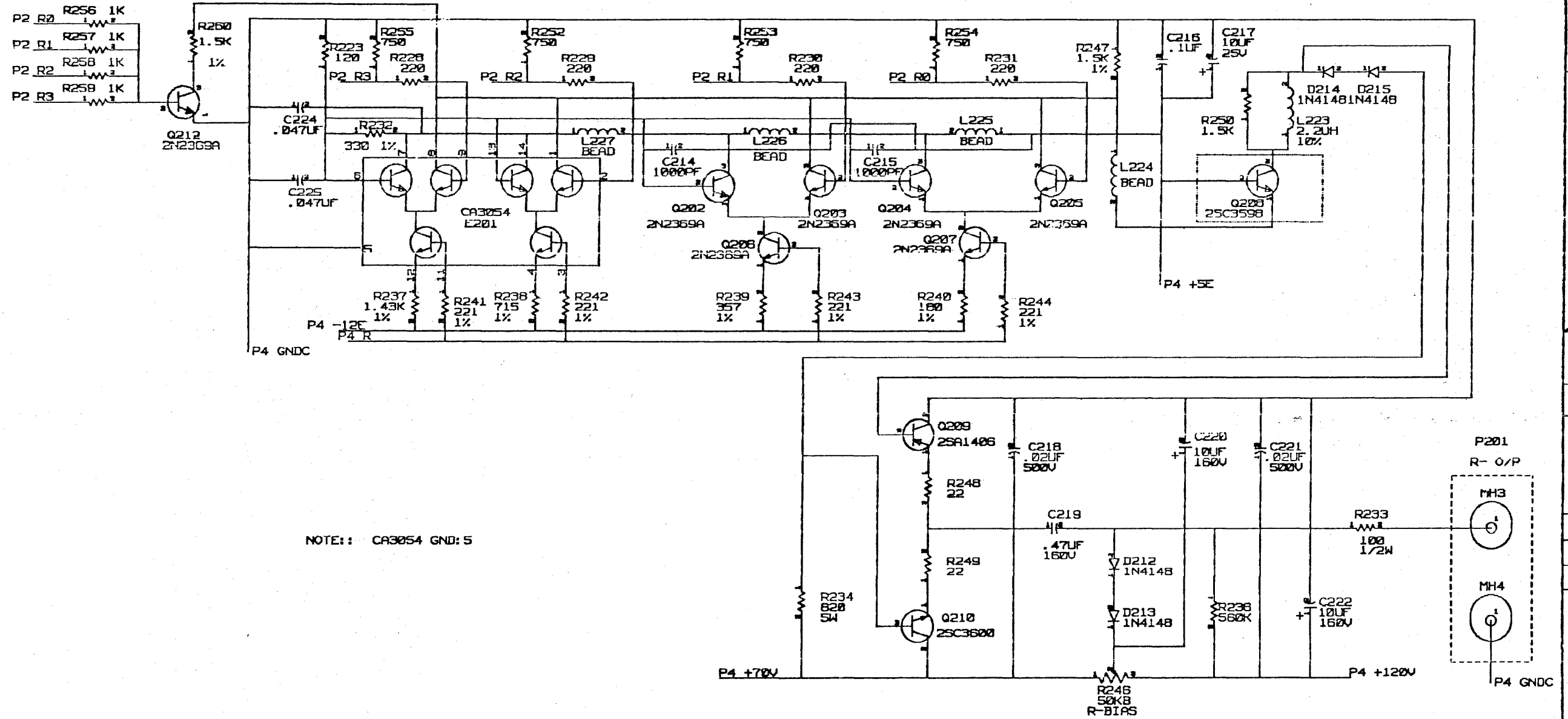
STEP #	↑ Y AXIS	STEP	TIMES
REPEAT	→ X AXIS	STEP	TIMES

SIGNATURES		DATE	digital	TITLE	UNIT ASSY, VIDEO AMPLIFIER MODULE
DRAWN	C. H. YU	8-MAY-88			
CHECKED	B. CHEN	8-MAY-88			
MECH ENG	J. P. LO	8-MAY-88			
PROJ ENG	L. JEAN	8-MAY-88			
PROD					
SCALE	1/1				
SHEET	1 OF 1				
TOP DOC NO	B-DD-5416963-0-0				

BPO 1 WO#

NOTE: UNLESS OTHERWISE SPECIFIED:

1. ALL RESISTORS ARE EXPRESSED IN OHMS AND ARE 1/4W, +5%.
2. THE VOLTAGE OF ALL CAPACITORS ARE 50V.
3. ----- EXPRESS (OFF THE BOARD).
4. ----- EXPRESS (COMPONENTS LOCATE IN PACKAGE).
5. ----- EXPRESS (HEAT SINK).
6. ----- EXPRESS (COMPONENT NOT INSERT).
7. P201 IS DISTRIBUTED TO THE SHEET 1, 2, 3.



NOTE: CA3054 GND: 5

THIS DRAWING AND SPECIFICATIONS HEREIN ARE THE PROPERTY OF DIGITAL EQUIPMENT CORPORATION AND SHALL NOT BE REPRODUCED OR COPIED OR USED IN WHOLE OR IN PART AS THE BASIS FOR THE MANUFACTURE OR SALE OF ITEMS WITHOUT WRITTEN PERMISSION. COPYRIGHT © 1987 DIGITAL EQUIPMENT CORPORATION

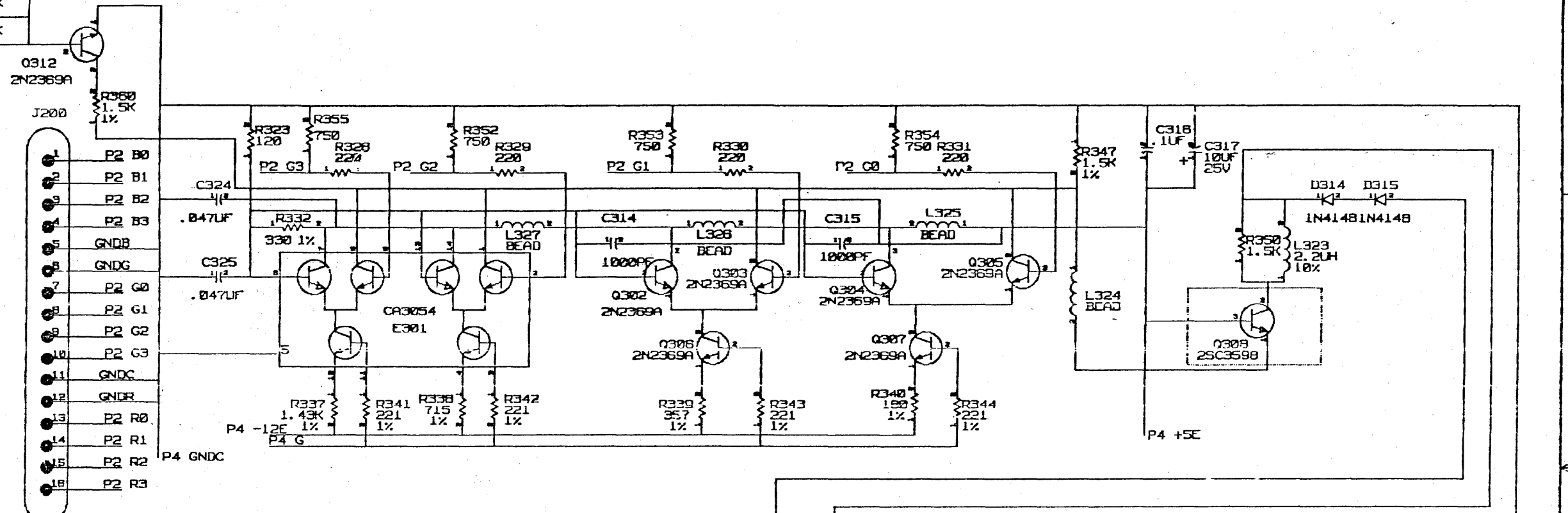
CHK	CHANGE NO.	REV
		A
JAN '87		
RELEASED		

digital
FIRST USED ON OPTION/MODEL:

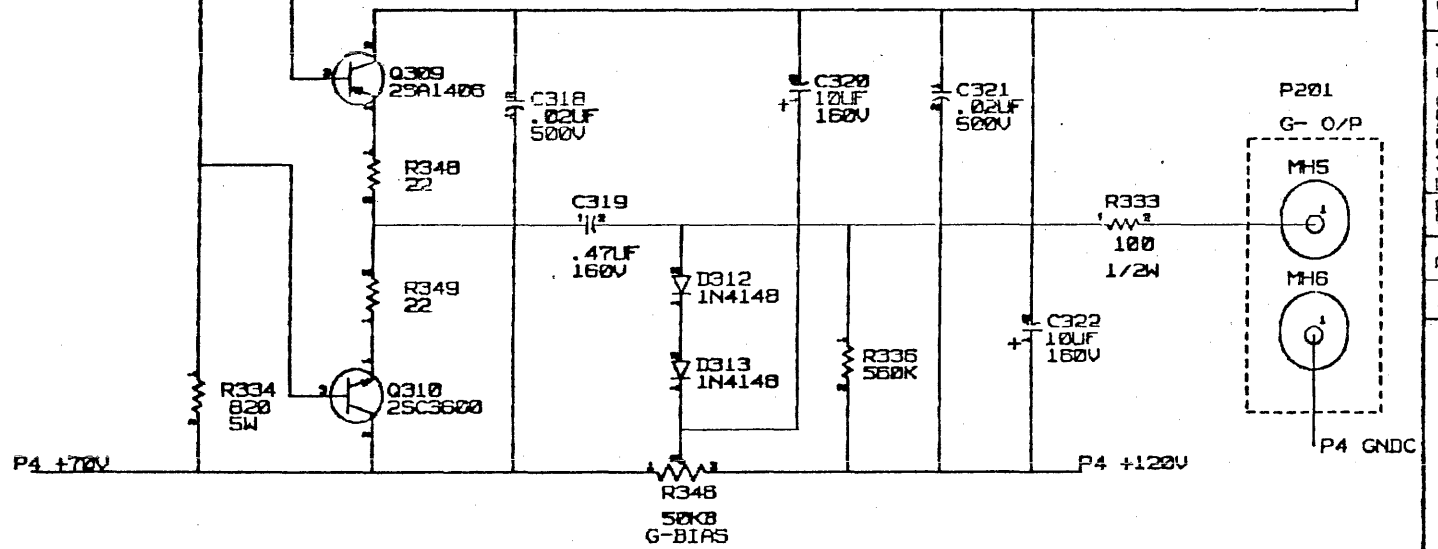
DESIGNED BY	DATE	ENGR.	DATE
STAN HSIEH	08-JUL-88	C.L. CHUANG	08-JUL-88
C.L. CHUANG	08-JUL-86		

TITLE	NUMBER	REV.
SCHEMATIC, VIDEO AMPLIFIER MODULE	5416963-0-1	A

- R356 1K
- P2 G0
- R357 1K
- P2 G1
- R358 1K
- P2 G2
- R359 1K
- P2 G3



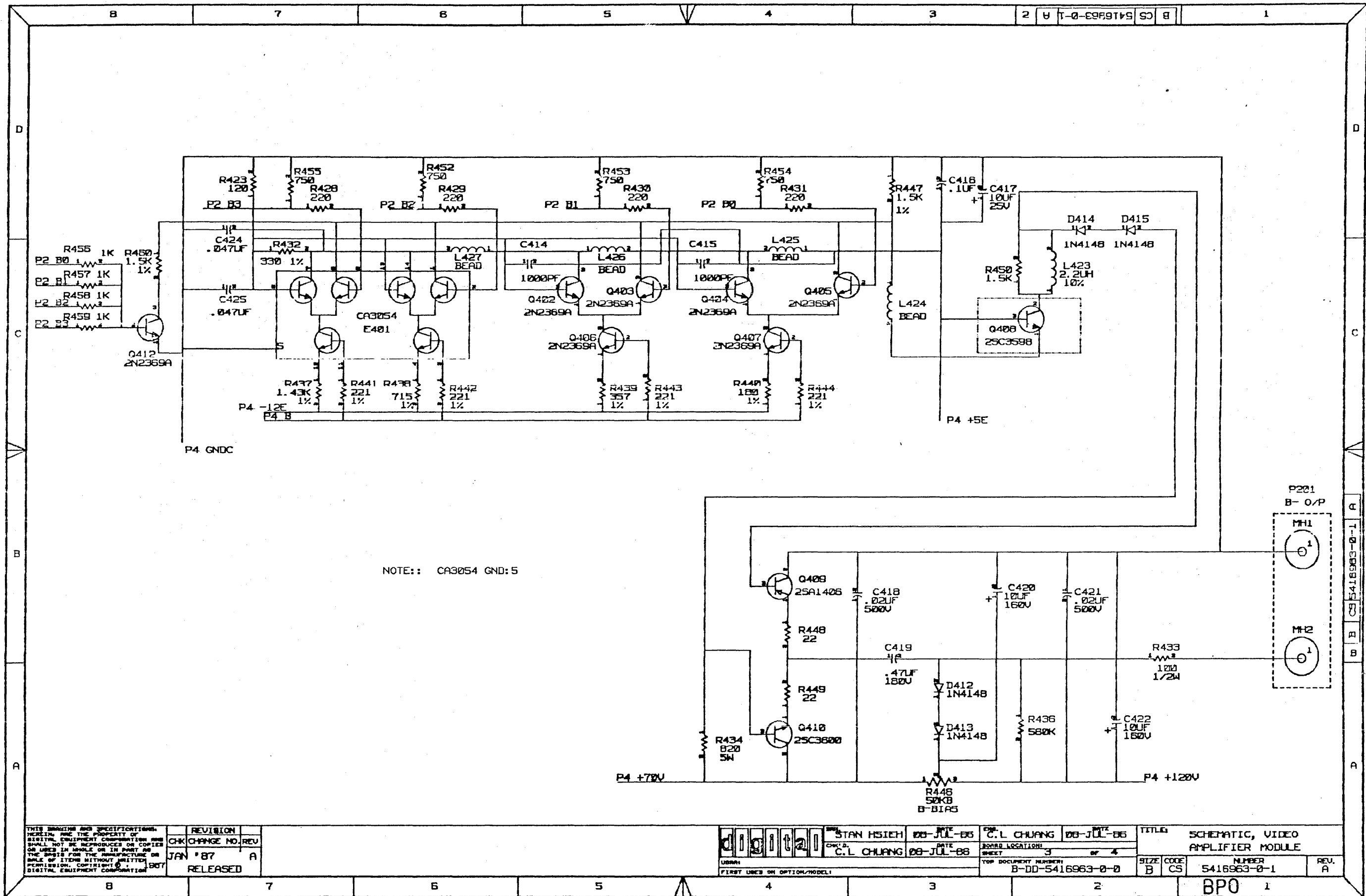
NOTE:: CA3054 GND: 5



THIS DRAWING AND SPECIFICATIONS ARE THE PROPERTY OF DIGITAL EQUIPMENT CORPORATION AND SHALL NOT BE REPRODUCED OR COPIED OR USED IN WHOLE OR IN PART AS THE BASIS FOR THE MANUFACTURE OR SALE OF ITEMS WITHOUT WRITTEN PERMISSION. COPYRIGHT © 1967 DIGITAL EQUIPMENT CORPORATION

CHK	CHANGE NO.	REV
JAN '87		A
	RELEASED	

digital	STAN HEIICH	05-JUL-85	C.L. CHUANG	05-JUL-85	TITLE	SCHEMATIC, VIDEO AMPLIFIER MODULE	
	C.L. CHUANG	08-JUL-88	BOARD LOCATION	2 of 4	SIZE	CODE	NUMBER
FORM 1	FIRST USED ON OPTION/MODEL			TRM DOCUMENT NUMBER	B-DD-5416963-0-0	B	CS
							5416963-0-1
							REV. A



NOTE:: CA3054 GND:5

THIS DRAWING AND SPECIFICATIONS
HEREIN ARE THE PROPERTY OF
DIGITAL EQUIPMENT CORPORATION AND
SHALL NOT BE REPRODUCED OR COPIED
OR USED IN WHOLE OR IN PART AS
THE BASIS FOR THE MANUFACTURE OR
SALE OF ITEMS WITHOUT WRITTEN
PERMISSION. COPYRIGHT © 1987
DIGITAL EQUIPMENT CORPORATION

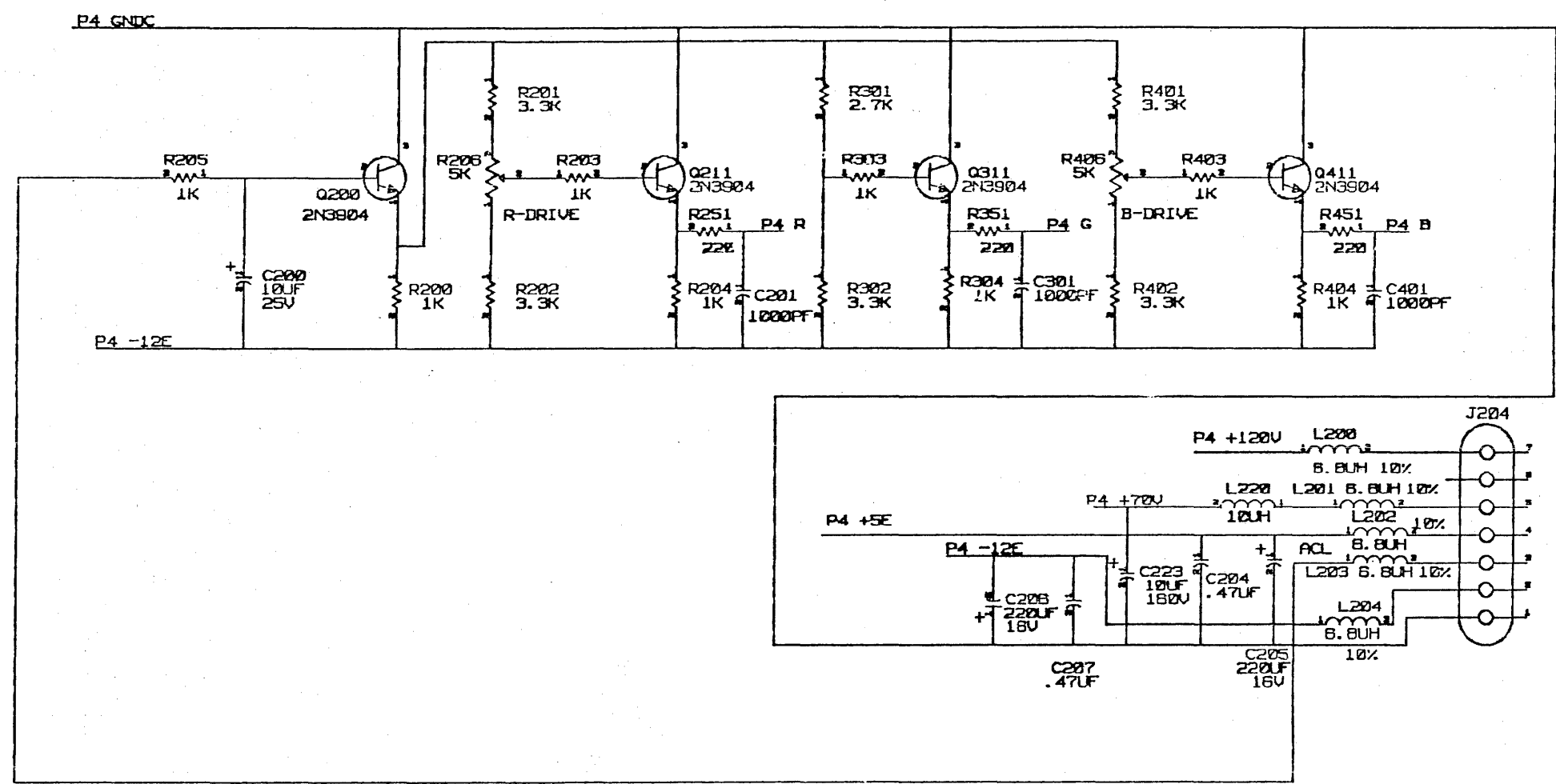
CHK	CHANGE NO.	REV
JAN '87		A
RELEASED		

digital
LIBRARY
FIRST USED ON OPTION/MODEL:

DESIGNED BY STAN HSIEN	DATE 08-JUL-86	CHK'D BY C.L. CHUANG	DATE 08-JUL-86
BOARD LOCATION 3 of 4		TOP DOCUMENT NUMBER B-DD-5416963-0-0	

TITLE SCHEMATIC, VIDEO AMPLIFIER MODULE	SIZE B	CODE CS	NUMBER 5416963-0-1	REV. A
---	-----------	------------	-----------------------	-----------

BPO 1



CS 5416963-0-1

THIS DRAWING AND SPECIFICATIONS
HEREIN ARE THE PROPERTY OF
DIGITAL EQUIPMENT CORPORATION AND
SHALL NOT BE REPRODUCED OR COPIED
OR USED IN WHOLE OR IN PART AS
THE BASIS FOR THE MANUFACTURE OR
SALE OF ITEMS WITHOUT WRITTEN
PERMISSION. COPYRIGHT © 1977
DIGITAL EQUIPMENT CORPORATION

REVISION	
CHK	CHANGE NO. REV
JAN '87	A
RELEASED	

digital
LIBRARY
FIRST USED ON OPTION/MODEL

DESIGNED BY STAN HEIEN	DATE 08-JUL-85	DESIGNED BY C.L. CHUANG	DATE 08-JUL-85
DRAWN BY C.L. CHUANG		DATE 08-JUL-85	
SHEET 4		TOTAL SHEETS 4	
TOP DOCUMENT NUMBER B-DD-5416963-0-0			

TITLE SCHEMATIC, VIDEO AMPLIFIER MODULE			
SIZE B	CODE CS	NUMBER 5416963-0-1	REV. A

DRAWING NO.	NO. OF SHTS.	PART NO.	DESCRIPTION	REVISIONS																
		54-16965-01	TERMINAL CONTROL MODULE	A1																
D-UA-5416965-0-0	1		UNIT ASSY	A																
B-CS-5416965-0-1	18		SCHEMATIC	A																
K-PL-5416965-0-DBP	3		PARTS LIST	A																
K-PC-5416965-0-DBV	1		P.C. DESIGN DATA BASE	A																
K-CS-5416965-0-DBX	1		VALID DATA BASE	A																
		50-16964-01	ETCH CIRCUIT BOARD	F1																
B-DD-5016964-0-0	1		DRAWING DIRECTORY	A																

NOTES:

REVISION HISTORY		REV.
DATE	ECO NO.	RELEASED
JAN '87		A

THIS DRAWING AND THE SPECIFICATIONS CONTAINED HEREIN ARE CONFIDENTIAL AND PROPRIETARY. THEY ARE THE PROPERTY OF DIGITAL EQUIPMENT CORPORATION AND SHALL NOT BE REPRODUCED OR COPIED OR USED IN WHOLE OR IN PART AS THE BASIS FOR THE MANUFACTURE OR SALE OF ITEMS WITHOUT WRITTEN PERMISSION. THIS IS AN UNPUBLISHED WORK PROTECTED UNDER THE FEDERAL COPYRIGHT LAWS. 1987



DRN.	F. LIU	DATE	5-MAY-88
CHK'D	B. CHEN	DATE	5-MAY-88
DES. ENG.	H. C. HONG	DATE	5-MAY-88
RESP. ENG.	S. W. CHENG	DATE	5-MAY-88
MFG. ENG.		DATE	6 Feb 87

TITLE			
DWG DIR, TERMINAL CONTROL MODULE			
DOCUMENT NUMBER			
SIZE	CODE	NUMBER	REV.
B	DD	5416965-0-0	A
SHEET		1 OF	1

LINE	ITEM	TOP DOCUMENT	PART NUMBER	MIN REV	DESCRIPTION	QTY	PER VAR/REV	REFERENCE DESIGNATORS
1	1	B-DD-5016964-0-0	50-16964-01	F	CIRCUIT DRILL AND ETCH	1		
2	2		10-01610-00		0.010MFD 50V +80/-20% Z5U C	85		C7,C9-C11,C13,C14,C16,C17,C19, CONT C27-C36,C38,C43-C48,C50-C59, CONT C65-C73,C78-C83,C86,C87, CONT C92-C117,C120-C125
3	3		10-10274-00		0.22 MFD 50V +80/-20% Z5U C	3		C1,C26,C37
4	4		10-10279-01		0.47 MFD 25V +/-20% Z5U C	27		C3-C6,C20-C23,C39-C42,C60-C64, CONT C74-C77,C88-C91,C118,C119
5	5		10-13466-10	3300	PFD 50V +/- 5% NP0 C	1		C84
6	6		10-13466-24	47	PFD 50V +/- 5% NP0 C	1		C2
7	7		10-17472-00	10	MFD 35V +75/-10% ALU	2		C18,C25
8	8		10-20446-11	470	MFD 6.3V +50/-10% ALU	1		C24
9	9		10-22277-01	22	MFD 16V +50/-10% ALU	1		C85
10	10		10-26289-02		0.03 MFD 50V+100/-25% Z5U C	9		C126-C134
11	11		10-26289-06		0.03 MFD 550V+100/-25% Z50 C	2		C135,C136
12	12		11-00114-00		PIV= 25 IO=135 MA	3		D7,D8,D23
13	13		11-05796-00		PIV= 400 IO= 1.00A 1N4004 D0-41	6		D1-D6
14	14		11-10672-00		VZ= 3.6 5% 40 MW 1N747A	1		D13
15	15		11-24037-01		VZ= 36.0 5% 400 MW 1N974B D0-35	13		D9-D12,D14-D22
16	16		12-10929-02		FUSE PICO 1.0 A 125V AXIAL LEA	1		F2
17	17		12-15006-07		SKT,IC 28PIN DIP TIN SOLD	1		XE49
18	18		12-19952-07		PCB HEADER 40PIN(2X20).100CC STR	1		J1
19	19		12-26589-01		PCB HEADER 07PIN 90D	1		J2
20	20		12-26963-01		CARD EDGE 60POS .050CC 90D	1		J5
21	21		13-00197-00		33.0 .25 W 5.0 % CF	24		R1,R2,R4-R7,R9-R14,R16,R17,R19, CONT R20,R25-R27,R30-R34
22	22		13-00219-00		68.0 .25 W 5.0 % CF	2		R28,R41
23	23		13-00229-00		100.0 .25 W 5.0 % CF	22		R8,R18,R23,R36,R40,R44,R49-R52, CONT R57,R60,R67-R76
24	24		13-00247-00		120.0 .25 W 5.0 % CF	2		R38,R56
25	25		13-00295-00		330.0 .25 W 5.0 % CF	4		R62-R64,R80
26	26		13-00365-00		1.0 K .25 W 5.0 % CF	3		R43,R45,R48

REVISION HISTORY		KPL MODULE FORMAT		SECTION A OF A		DRN: F. LIU		D I G I T A L	
ENG	ECO NUMBER	REV	SECTION/VARIATION INDEX	DATE	DATE	CHK'D	TITLE	DOCUMENT NUMBER	REV
---	INITIAL	A	[A] 01 [M]	05-MAY-86	05-MAY-86	B. CHEN	PARTS LIST		
			[B] [N]				TERMINAL CONTROL MODULE		
			[C] [P]						
			[D] [Q]						
			[E] [R]						
			[F] [S]						
			[H] [T]						
			[J] [V]						
			[K] [W]						
			[L] [Y]						
BASIC PART NUMBER:		ASSEMBLY NUMBER:		TOP DOCUMENT NUMBER:		FILE NAME:		EDIT #	
5416965		D-UA-5416965-0-0		B-DD-5416965-0-0		GH708A.PLS		36	

"THIS DRAWING AND THE SPECIFICATIONS CONTAINED HEREIN ARE CONFIDENTIAL AND PROPRIETARY. THEY ARE THE PROPERTY OF DIGITAL EQUIPMENT CORPORATION AND SHALL NOT BE REPRODUCED OR COPIED OR USED IN WHOLE OR IN PART AS THE BASIS FOR THE MANUFACTURE OR SALE OF ITEMS WITHOUT WRITTEN PERMISSION. THIS IS AN UNPUBLISHED WORK PROTECTED UNDER THE FEDERAL COPYRIGHT LAWS."

LINE	ITEM	TOP DOCUMENT	PART NUMBER	MIN REV	DESCRIPTION	QTY PER VAR/REV	REFERENCE DESIGNATORS
						01 A1	
27	27		13-00444-00	3.90 K	.25 W 5.0 % CF	1	R55
28	28		13-00447-00	4.70 K	.25 W 5.0 % CF	6	R3,R24,R35,R42,R58,R59
29	29		13-00479-00	10.0 K	.25 W 5.0 % CF	1	R39
30	30		13-01327-00	68.0 K	.25 W 5.0 % CF	4	R15,R22,R53,R54
31	31		13-02379-00	75.0	.25 W 5.0 % CF	1	R65
32	32		13-05346-00	27.0 K	.25 W 5.0 % CF	2	R29,R37
33	33		13-13349-00	33.0 K	.25 W 5.0 % CF	6	R46,R47,R66,R77-R79
34	34		15-09525-00	2N 3906	PNP 310MW SI 40100 Y	1	Q2
35	35		15-10705-00	XA 05	NPN 500MW SI 60 50 P	1	Q1
36	36		16-09756-00	2.2 UH	10% 760MA #DD2.20	12	L26-L33,L35-L38
37	37		16-18238-02	BEAD,FERRITE	.1380DX.330LG	16	L7,L8,L12-L14,L16,L18-L25,L34, CONT L39
38	38		16-20182-03	5.6 UH	10% 565MA	6	L9-L11,L15,L17,L40
39	39		17-01559-01	CABLE ASSY,	FLAT,SHIELDED	1	P200
40	40		18-11660-45	OSCILLATOR,	XTAL 12.00 MHZ	1	Y2
41	41		18-11660-75	OSCILLATOR,	XTAL 32.3174 MHZ	1	Y1
42	42		19-10545-00	74S112	FF-JK DUAL,EDGE TRIG	1	E5
43	43		19-12096-00	DEC 74S86	XOR GATE,QUAD 2IN	1	E8
44	44		19-12646-00	LS253	MUX 1 OF 4 (DUAL)	4	E83,E84,E95,E96
45	45		19-12697-00	LS174	FF-D HEX W/CLEAR	1	E30
46	46		19-12803-00	LS04	INVERTER GATE,HEX	1	E11
47	47		19-12810-00	LS20	NAND GATE-DUAL 4IN	1	E79
48	48		19-12816-00	LS32	OR GATE-QUAD 2IN,POS	1	E39
49	49		19-12824-00	LS74	FF-D DUAL,EDGE TRIG	1	E10
50	50		19-15019-00	74S38	NAND BUFFER-QUAD 2IN	1	E38
51	51		19-15218-00	LS245	TRANSCEIVER,BUS,OCTA	3	E50,E53,E89
52	52		19-15219-00	LS373	FF-D OCTAL-TRANSPARE	4	E9,E77,E91,E92
53	53		19-15415-00	9636	DRIVER,DUAL,EIA RS-4	2	E25,E40
54	54		19-20442-01	74F374	FF-D,OCTAL,TRI-STATE	1	E7
55	55		19-20572-01	74F244	BUFFER/LINE DRIVER,0	2	E56,E90
56	56		19-21010-01	74F373	OCTAL TRANSPARENT LA	8	E68,E69,E71-E76
57	57		19-21305-01	74F00	NAND GATE,QUAD,2-IN	1	E6
58	58		19-21308-01	74F08	AND GATE,QUAD,2-IN	1	E23
59	59		19-21312-01	74F32	OR GATE,QUAD,2-IN	2	E17,E31
60	60		19-21314-01	74F74	FF-D,DUAL,POS.,EDGE	1	E59
61	61		19-21323-01	74F174	FF-D,HEX	5	E20-E22,E33,E35
62	62		19-21327-01	74F194	SHIFT REG,UNIV,BIDIR	4	E18,E19,E32,E34
63	63		19-23889-01		EIA OCTAL LINE DRIVE	1	E62
64	64		19-23890-01		EIA OCTAL LINE RECEI	2	E63,E82
65	65		19-26651-01	74AS870	REGISTER FILES,DUAL	2	E51,E52
66	66		19-26652-01	74AS575	FLIP FLOP,OCTAL D-TY	2	E54,E55
67	67		19-27277-01	74ALS74	FLIP FLOP,DUAL D-TYP	1	E60
68	68		19-27862-01	74ALS02	DIP,14PIN QUAD 2-INP	1	E37
69	69		21-20068-01	2681	REC./TRANS.,ASYNC.,D	1	E61
70	70		21-20115-01	8031C	MICROPROCESSOR W/O P	2	E24,E57
71	71		21-21552-05	DC 322	VIPER,68CRQD GULLWIN	4	E85-E88
72	72		21-21553-02	DC 323-CA	ADDER II ZMOS	1	E70
73	73		21-24412-02		RAM,64KX4,DYNAMIC 15	26	E1-E4,E12-E15,E26-E29,E41-E48, CONT E64-E67,E93,E94
74	74		21-25643-01	DC7051	TIMING GENERATOR + C	1	E36

AUTOMATED BY VAXKPL (V1.3)

P A R T S L I S T

SHEET A3 OF A3

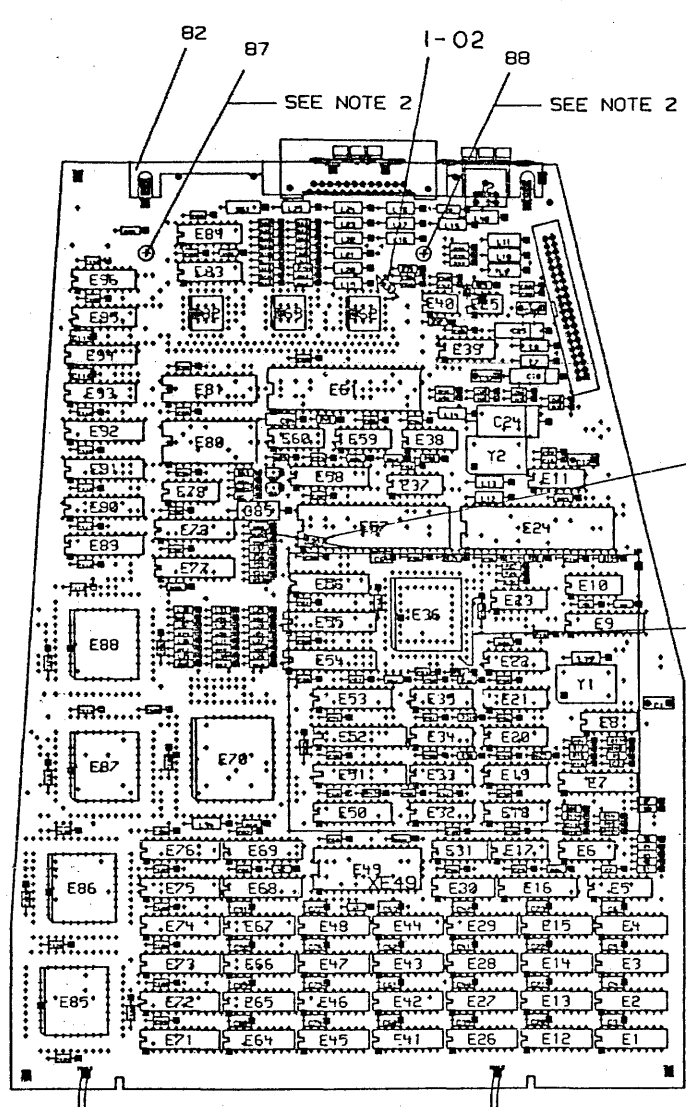
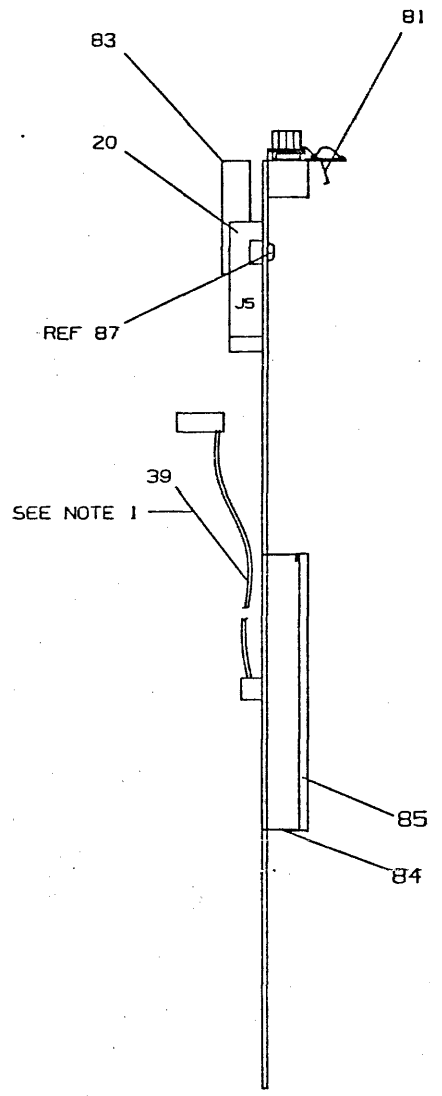
LINE	ITEM	TOP DOCUMENT	PART NUMBER	MIN REV	DESCRIPTION	QTY PER VAR/REV	REFERENCE DESIGNATORS
75	75		21-26375-01		ASYNCHRONBUS COMMUNI	1	E81
76	76		23-E6 -02		32KX 8 TTL, UV PROM, 250NS	1	E49
77	77		23-J5 -03		PAL, OCTAL 16 INPUT AND-OR-INVERT	2	E16, E78
78	78		23-K5 -03		PAL, OCTAL REGISTERED AND-OR	1	E58
79	79		23-1N2 -00		N2-01	1	E80
80	80	B-IA-7023276-0-DBU	70-23276-01	A	GROUNDING WIRE	2	
81	81	B-AD-7024320-0-DBU	70-24320-01	A	CONN/BAFFLE ASSY	1	
82	82	D-IA-7432559-0-DBU	74-32559-01	A	BRKT, GROUND	1	
83	83	C-IA-7434794-0-DBU	74-34794-01	A	BRACKET, CARTRIDGE	1	
84	84	D-MD-7434915-0-DBU	74-34915-01	A	SHIELD, EMI	1	
85	85	D-IA-7434916-0-DBU	74-34916-01	A	COVER, SHIELDING	1	U3
86	86		90-09185-00		JUMPER, WIRE, INSULATED, BLACK B	2	W1, W3
87	87		90-09800-07		SCREW, THD RL, PAN PHIL F/PLAS	1	
88	88		90-09800-10		SCREW, THD RL, PAN PHIL F/PLAS	1	

D	I	G	I	T	A	L	TITLE	SECTION A	OF A	SIZE	CODE	DOCUMENT NUMBER	REV
							TERMINAL CONTROL MODULE			K	PL	5416965-0-DBP	A

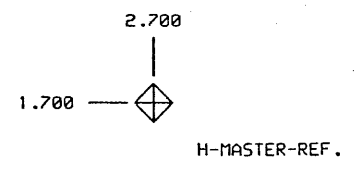
THIS DRAWING AND THE SPECIFICATIONS CONTAINED HEREIN ARE CONFIDENTIAL AND PROPRIETARY. THEY ARE THE PROPERTY OF DIGITAL EQUIPMENT CORPORATION AND SHALL NOT BE REPRODUCED OR COPIED OR USED IN WHOLE OR IN PART AS THE BASIS FOR THE MANUFACTURE OR SALE OF ITEMS WITHOUT WRITTEN PERMISSION. THIS IS AN UNCLASSIFIED WORK PROTECTED UNDER THE FEDERAL COPYRIGHT LAW. COPYRIGHT © 1987 DIGITAL EQUIPMENT CORPORATION

REWORK INSTRUCTIONS:

- COMPONENT ADDS SIDE ONE (AS SHOWN).
- 1-01. ADD R80 PN 13-00295-00
R80 PIN 1 TO D23 PIN 1
R80 PIN 2 TO E57 PIN 9.
 - 1-02. ADD W3 PN 90-09185-00
W3 PIN 1 TO E62 PIN 18
W3 PIN 2 TO E62 PIN 19.
- WIRE PN 91-05740-55 ADDS SIDE ONE (AS SHOWN).
- 1-03. FROM E36 PIN 26 TO C38 PIN 1.
- CUT ETCH REFER D-EC-5016964-0-0.



- NOTES:
1. ITEM 39 SOLDER ON SIDE 2.
 2. TORQUE REQUIREMENTS 2-3 IN-LBS FOR ITEMS 87 & 88.
 3. INSERT ITEM 10 PN 10-26289-02 BENEATH E18, E19, E20, E21, E22, E32, E33, E34 & E35.
 4. INSERT ITEM 11 PN 10-26289-06 BENEATH E54, & E55.
 5. ITEM 80 SOLDER IN MH11 & MH12.
 6. R61, W2 & C12 ARE NOT INSERTED.



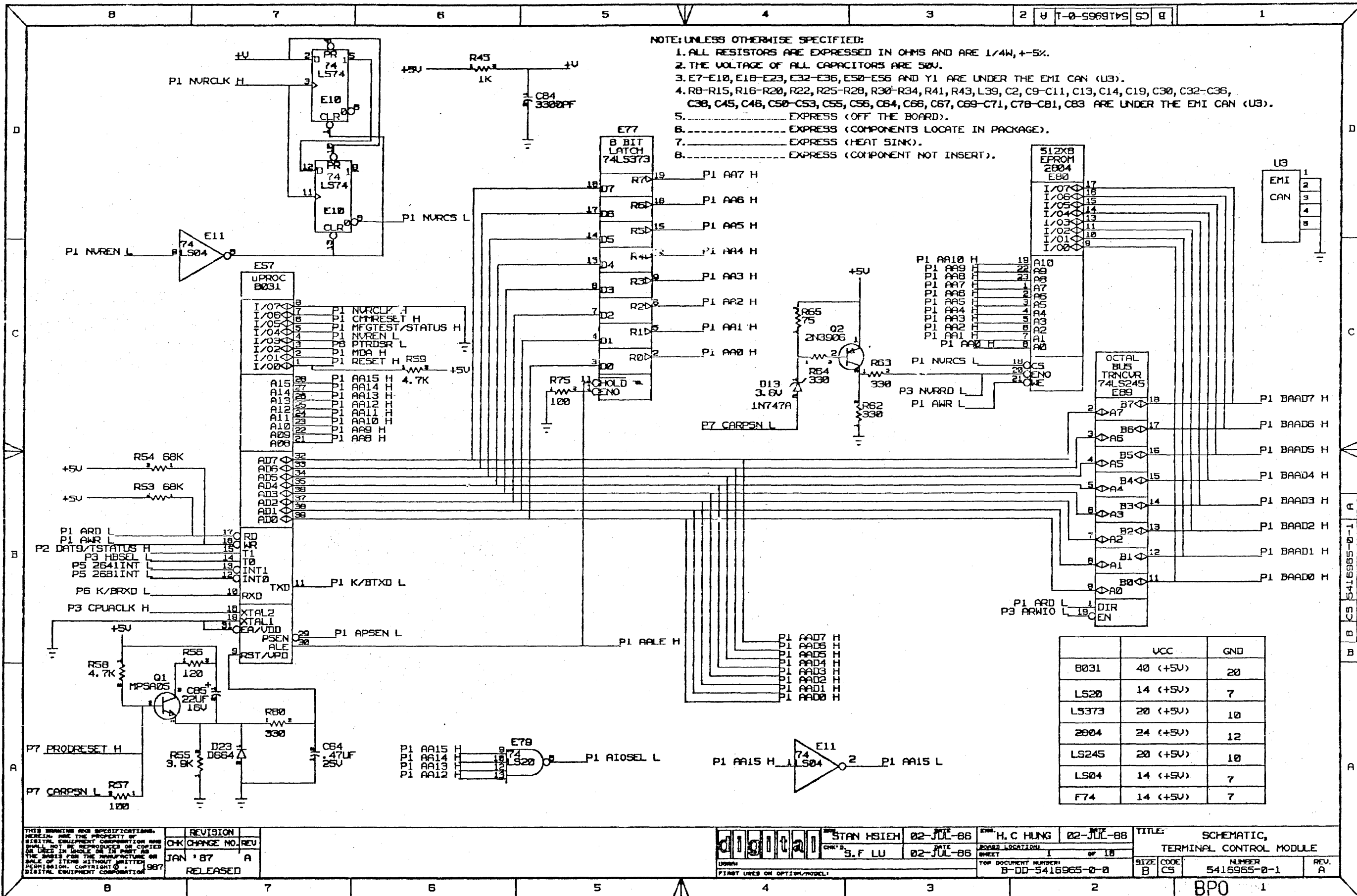
CHK	DRAWN BY	ENGINEER	CHANGE NO	DATE	REV
			RELEASED	JAN-87	A

CHK	DRAWN BY	ENGINEER	CHANGE NO	DATE	REV

NOTES 50/PART REV: F.1

STEP #	↑ Y AXIS	STEP	TIMES

SIGNATURES		DATE	TITLE
DRAWN	C. H. YU	2-27-88	
CHECKED	B. CHEN	2-27-88	
MECH ENG	J. P. LO	2-27-88	
PROJ ENG	S. W. CHENG	2-27-88	
PROD	<i>Ray</i>	2-27-88	
SCALE	1/1		
SHEET	1 OF 1		SIZE CODE NUMBER REV D UA 5416965-0-0 A
TOP DOC NO	B-DD-5416965-0-0		



- NOTE: UNLESS OTHERWISE SPECIFIED:
1. ALL RESISTORS ARE EXPRESSED IN OHMS AND ARE 1/4W, +-5%.
 2. THE VOLTAGE OF ALL CAPACITORS ARE 50V.
 3. E7-E10, E18-E23, E32-E36, E50-E56 AND Y1 ARE UNDER THE EMI CAN (U3).
 4. R8-R15, R16-R20, R22, R25-R28, R30-R34, R41, R43, L39, C2, C9-C11, C13, C14, C19, C30, C32-C36, C38, C45, C48, C50-C53, C55, C56, C64, C66, C67, C69-C71, C78-C81, C83 ARE UNDER THE EMI CAN (U3).
 5. ----- EXPRESS (OFF THE BOARD).
 6. ----- EXPRESS (COMPONENTS LOCATE IN PACKAGE).
 7. ----- EXPRESS (HEAT SINK).
 8. ----- EXPRESS (COMPONENT NOT INSERT).

	VCC	GND
B031	40 (+5V)	20
LS20	14 (+5V)	7
LS373	20 (+5V)	10
2804	24 (+5V)	12
LS245	20 (+5V)	10
LS04	14 (+5V)	7
F74	14 (+5V)	7

THIS DRAWING AND SPECIFICATIONS HEREIN ARE THE PROPERTY OF DIGITAL EQUIPMENT CORPORATION AND SHALL NOT BE REPRODUCED OR COPIED IN WHOLE OR IN PART OR BE USED IN WHOLE OR IN PART AS THE BASIS FOR THE MANUFACTURE OR SALE OF ITEMS WITHOUT WRITTEN PERMISSION. COPYRIGHT © 1987 DIGITAL EQUIPMENT CORPORATION

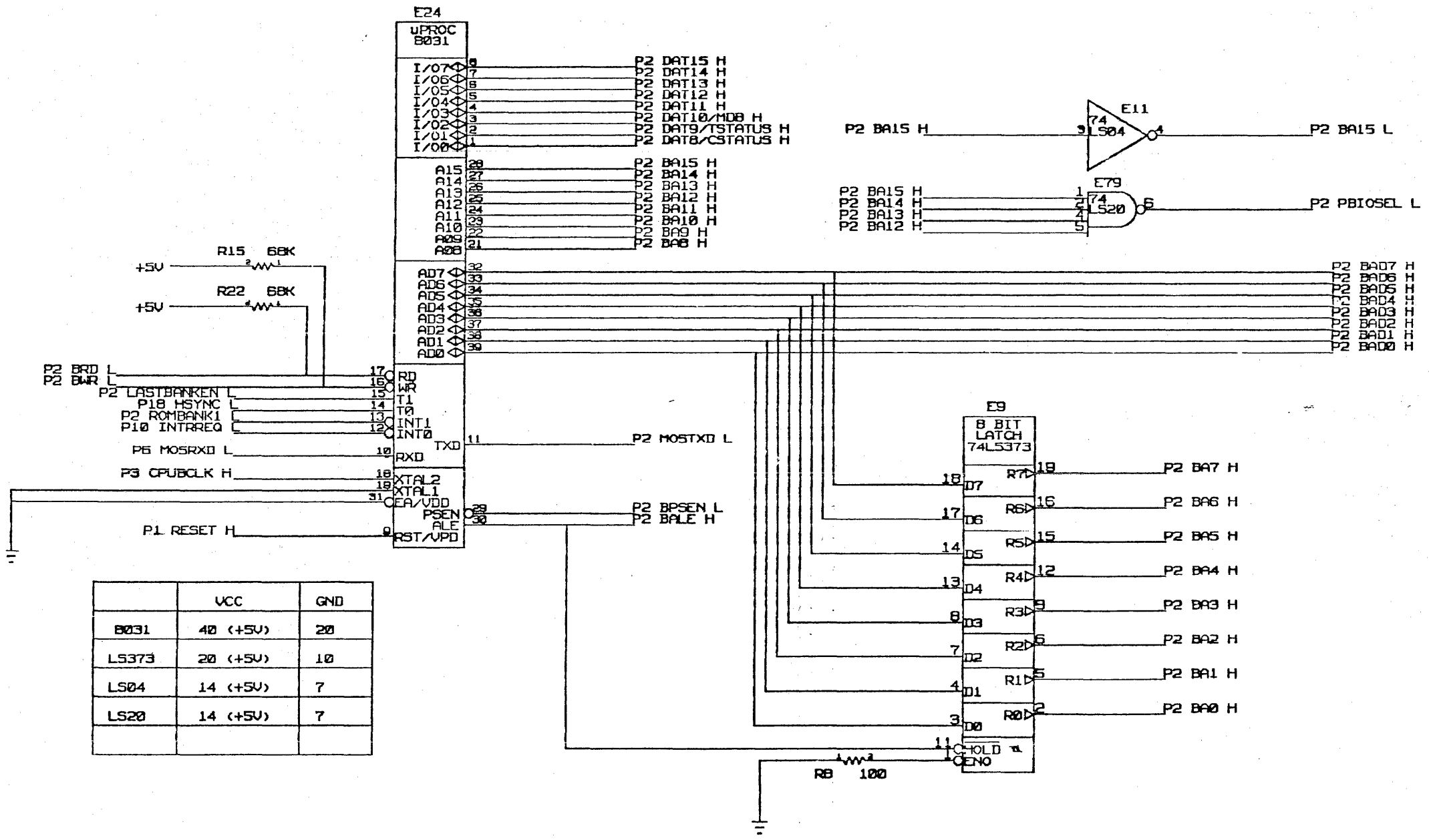
REV	CHANGE NO.	DATE
A		JAN '87

REV	DATE	DESIGNER	DATE	CHK'D	DATE	DESIGNER	DATE	REV	DATE	DESIGNER	DATE
	02-JUL-86	STAN HSIEH	02-JUL-86			H. C HUNG	02-JUL-86				
	02-JUL-86	S. F LU	02-JUL-86								

TITLE	NO. OF SHEETS	SIZE	CODE	NUMBER	REV.
SCHEMATIC, TERMINAL CONTROL MODULE	1 OF 18	B	CS	5416965-0-1	A

BPO 1

THIS DRAWING AND SPECIFICATIONS, HEREIN, ARE THE PROPERTY OF DIGITAL EQUIPMENT CORPORATION AND SHALL NOT BE REPRODUCED OR COPIED OR USED IN WHOLE OR IN PART AS THE BASIS FOR THE MANUFACTURE OR SALE OF ITEMS WITHOUT WRITTEN PERMISSION. COPYRIGHT © DIGITAL EQUIPMENT CORPORATION 1987

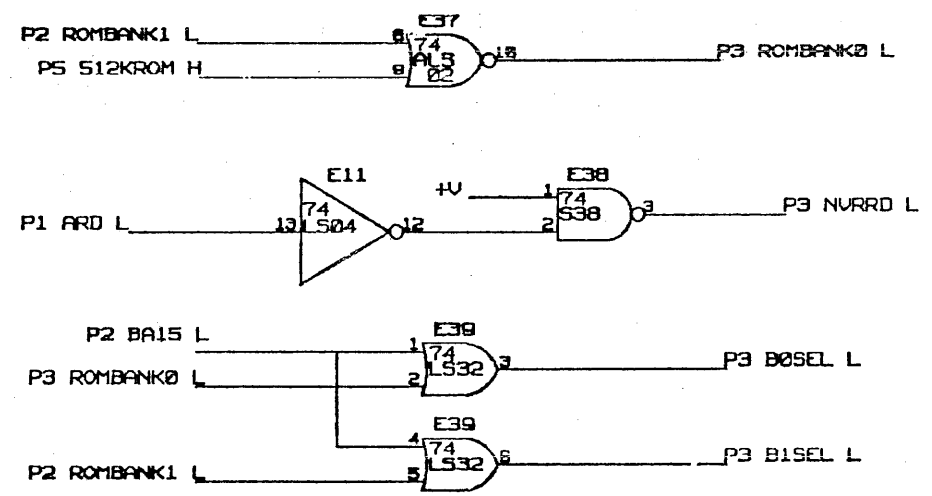
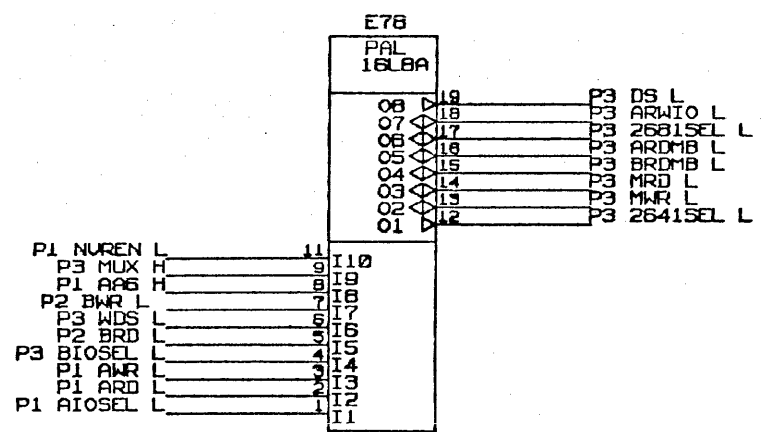
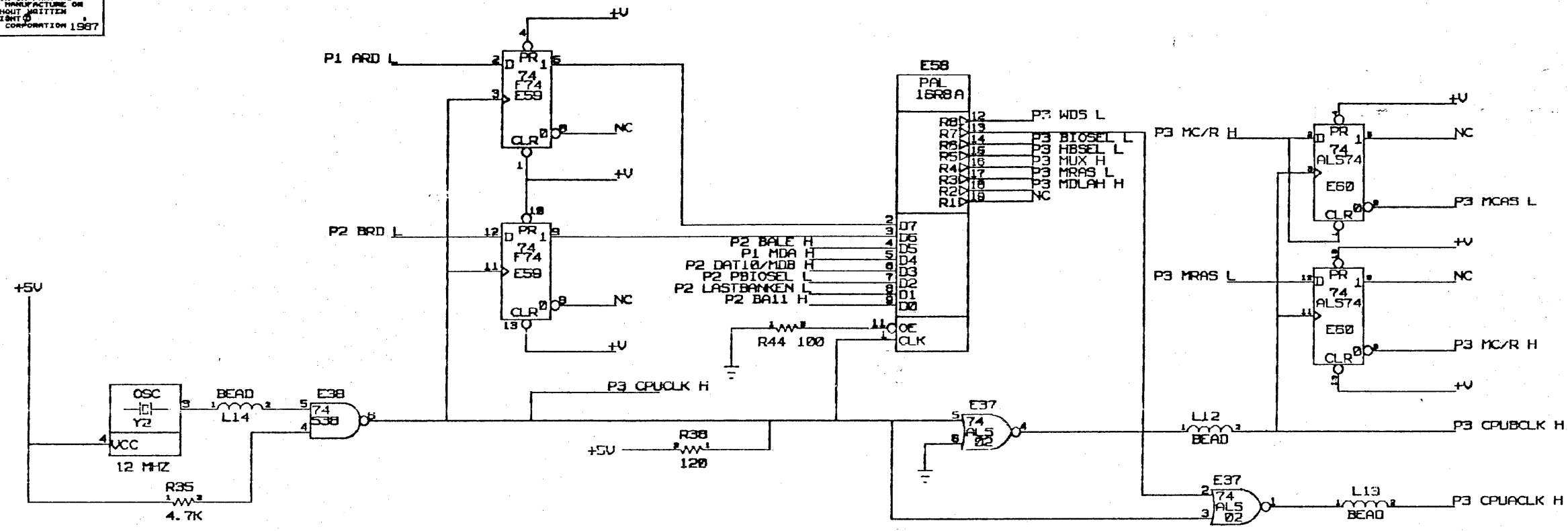


DESIGNER	H. C HUNG	DATE	02-JUL-86	TITLE	SCHEMATIC,
ISSUE LOCATION					TERMINAL CONTROL MODULE
SHEET	2	OF	18	SIZE	B
TOP DOCUMENT NUMBER	B-DD-5416965-0-0	CODE	CS	NUMBER	5416965-0-1
				REV.	A

BPO 1

B B CS 5416965-0-1 A

THIS DRAWING AND SPECIFICATIONS
HEREIN ARE THE PROPERTY OF
DIGITAL EQUIPMENT CORPORATION AND
SHALL NOT BE REPRODUCED OR COPIED
OR USED IN WHOLE OR IN PART AS
THE BASIS FOR THE MANUFACTURE OR
SALE OF ITEMS WITHOUT WRITTEN
PERMISSION. COPYRIGHT ©
DIGITAL EQUIPMENT CORPORATION 1987

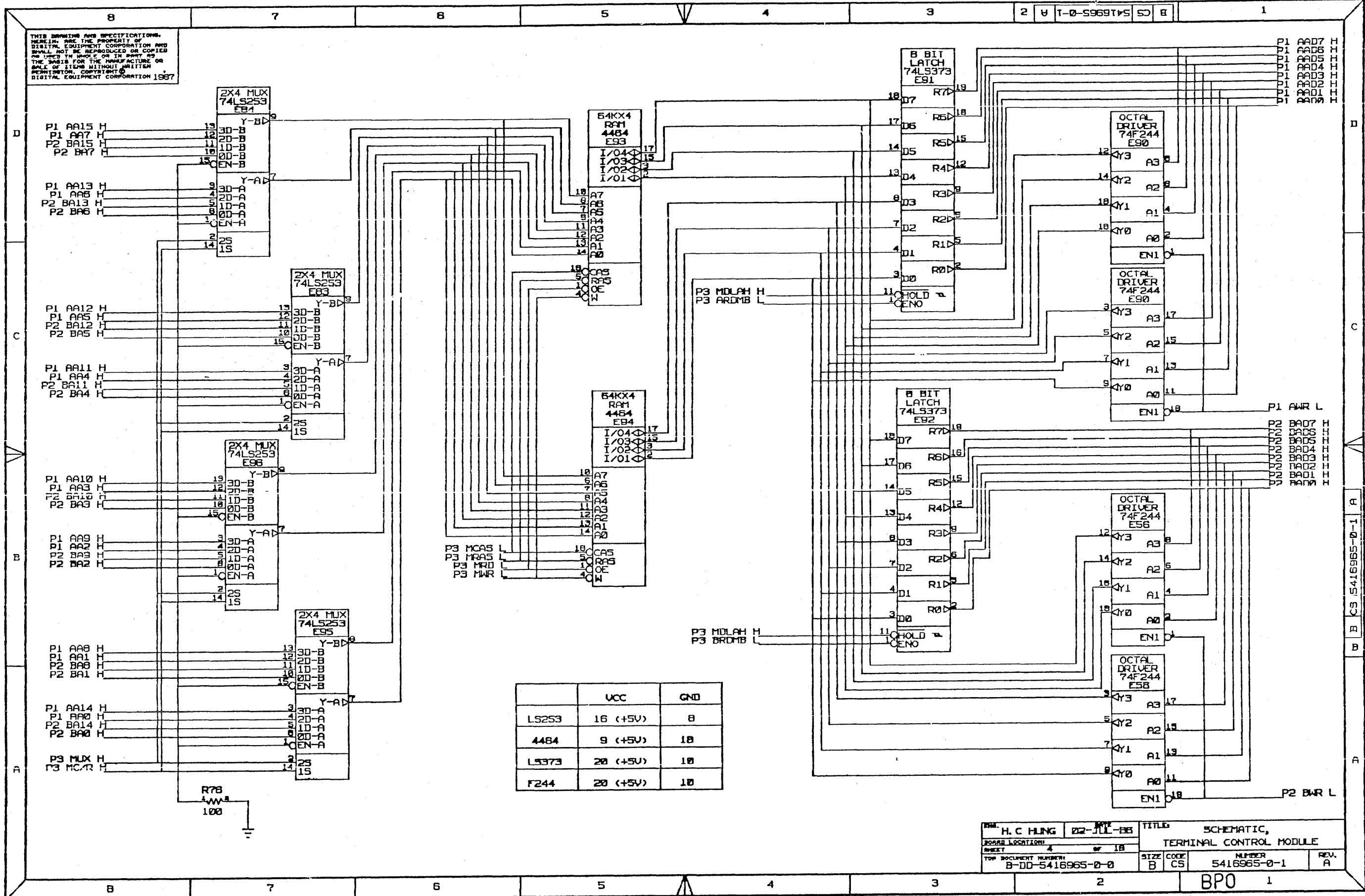


	VCC	GND
S38	14 (+5V)	7
F74	14 (+5V)	7
16R8	20 (+5V)	10
LS04	14 (+5V)	7
16L8	20 (+5V)	10
LS32	14 (+5V)	7
F02	14 (+5V)	7
OSC	4 (+5V)	1,2

DES: H. C HUNG 02-JUL-86 TITLE: SCHEMATIC, TERMINAL CONTROL MODULE
 BOARD LOCATION: 3 OF 18
 TOP DOCUMENT NUMBER: B-DD-5416965-0-0 SIZE: B CODE: CS NUMBER: 5416965-0-1 REV: A

BPO

THIS DRAWING AND SPECIFICATIONS HEREIN ARE THE PROPERTY OF DIGITAL EQUIPMENT CORPORATION AND SHALL NOT BE REPRODUCED OR COPIED IN WHOLE OR IN PART, OR THE BASIS FOR THE MANUFACTURE OR SALE OF ITEMS WITHOUT WRITTEN PERMISSION, COPYRIGHT © DIGITAL EQUIPMENT CORPORATION 1987

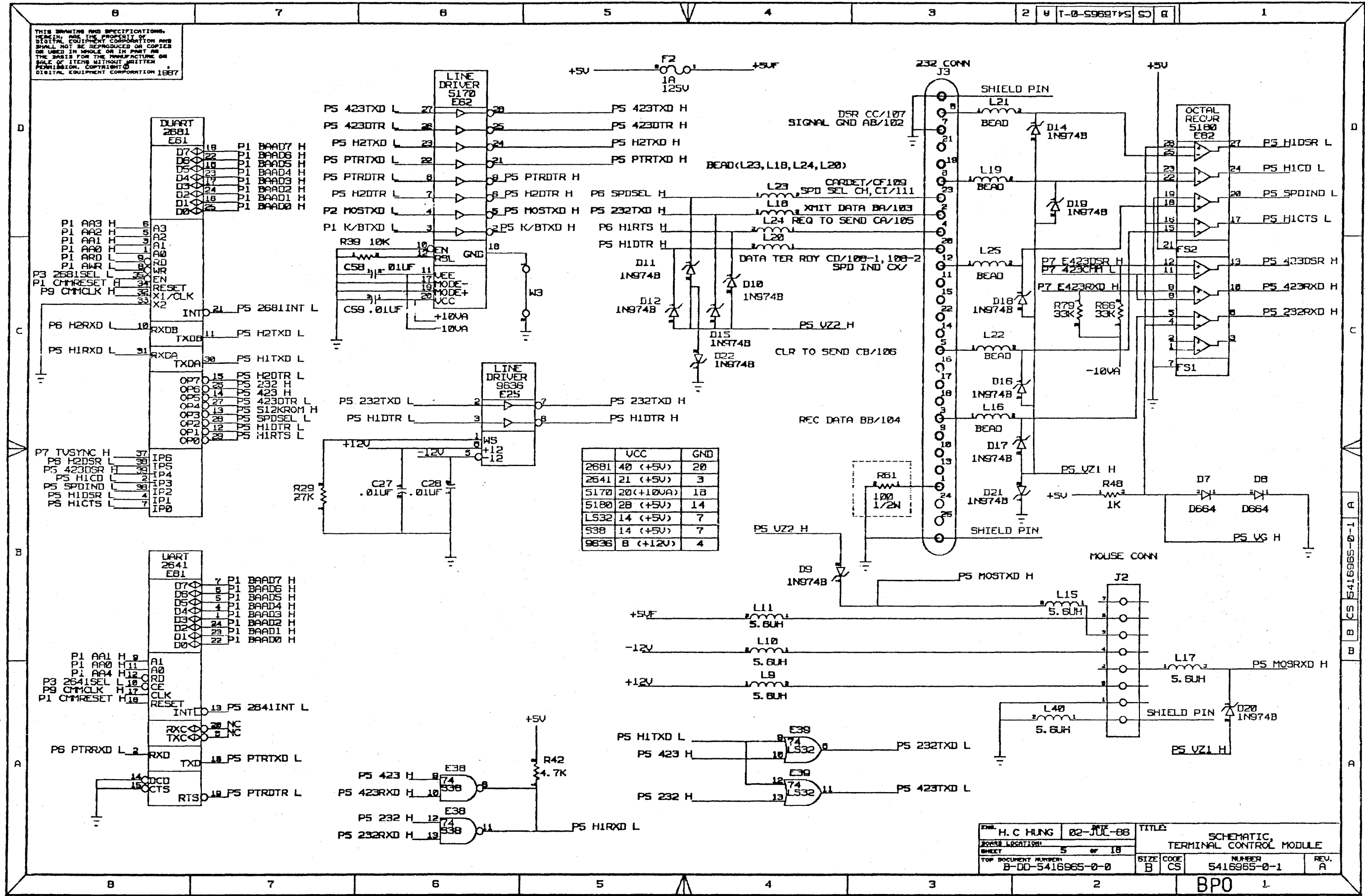


	VCC	GND
LS253	16 (+5V)	8
4484	9 (+5V)	18
LS373	20 (+5V)	10
F244	20 (+5V)	10

DESIGNED BY: H. C. HUNG
 DRAWN BY: J. L. BEE
 CHECKED BY: [Blank]
 TITLE: SCHEMATIC, TERMINAL CONTROL MODULE
 BOARD LOCATION: 4 of 18
 SHEET: 4 of 18
 SIZE: B CS
 NUMBER: 5416965-0-1
 REV: A
 TOP DOCUMENT NUMBER: B-DD-5416965-0-0

BPO 1

THIS DRAWING AND SPECIFICATIONS HEREIN ARE THE PROPERTY OF DIGITAL EQUIPMENT CORPORATION AND SHALL NOT BE REPRODUCED OR COPIED OR USED IN WHOLE OR IN PART AS THE BASIS FOR THE MANUFACTURE OR SALE OF ITEMS WITHOUT WRITTEN PERMISSION. COPYRIGHT DIGITAL EQUIPMENT CORPORATION 1987

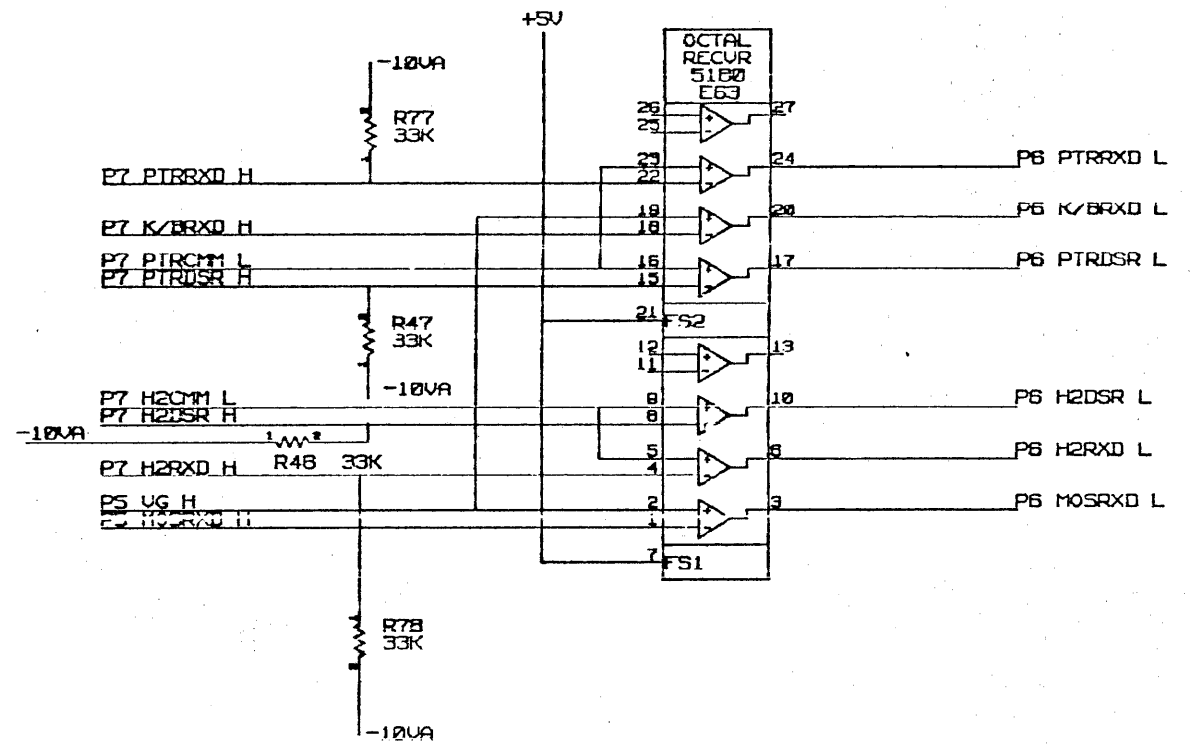
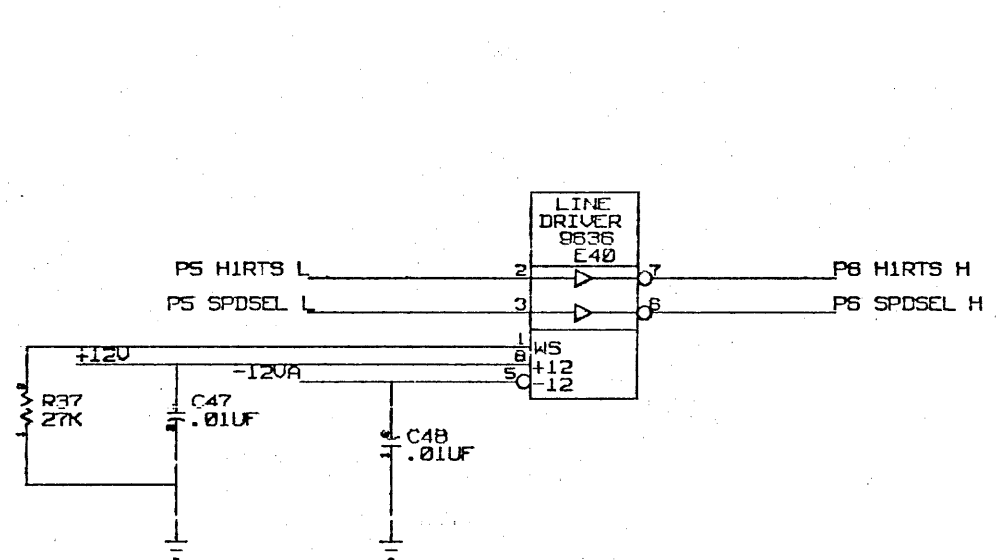


DESIGNER: H. C HUNG	DATE: 02-JUL-88	TITLE: SCHEMATIC, TERMINAL CONTROL MODULE
PROJECT: 5 of 18	SIZE: B	CODE: CS
TOP DOCUMENT NUMBER: B-DD-5416965-0-0	NUMBER: 5416965-0-1	REV: A

BPO 1

THIS DRAWING AND SPECIFICATIONS, HEREIN, ARE THE PROPERTY OF DIGITAL EQUIPMENT CORPORATION AND SHALL NOT BE REPRODUCED OR COPIED OR USED IN ANY MANNER OR IN ANY MANNER FOR THE MANUFACTURE OR SALE OF ITEMS WITHOUT WRITTEN PERMISSION. COPYRIGHT © DIGITAL EQUIPMENT CORPORATION 1987

	VCC	GND
51690	28 (+5V)	14
9636	8 (+12V)	4

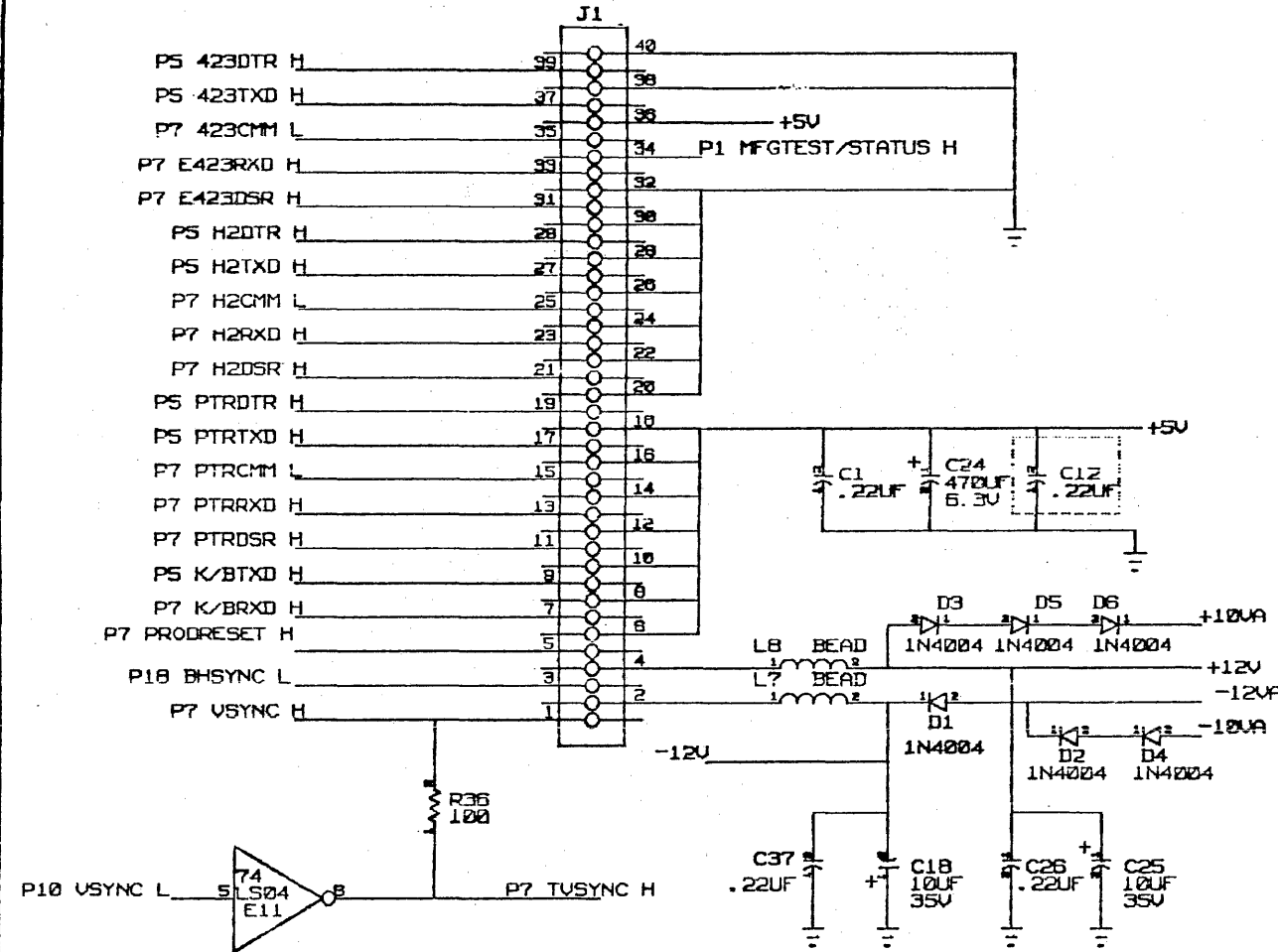


DESIGNER: H. C. HUNG	DATE: 02-JUL-86	TITLE: SCHEMATIC, TERMINAL CONTROL MODULE
BOARD LOCATION: B	SHEET: 8 OF 18	SIZE: B CODE: CS
TOP DOCUMENT NUMBER: B-DD-5416965-0-0	NUMBER: 5416965-0-1	REV: A

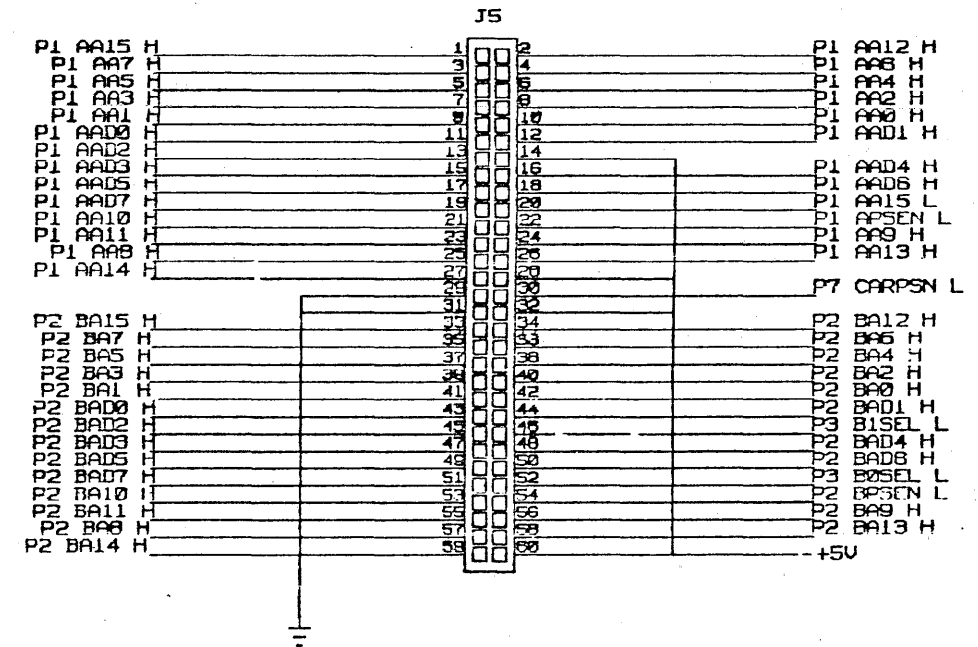
BPO

THIS DRAWING AND SPECIFICATIONS, HEREIN, ARE THE PROPERTY OF DIGITAL EQUIPMENT CORPORATION AND SHALL NOT BE REPRODUCED OR COPIED OR USED IN WHOLE OR IN PART AS THE BASIS FOR THE MANUFACTURE OR SALE OF ITEMS WITHOUT WRITTEN PERMISSION. COPYRIGHT © DIGITAL EQUIPMENT CORPORATION 1987

INTERFACE CONN (TO PS/MTR BD)



ROM CARTRIDGE CONN

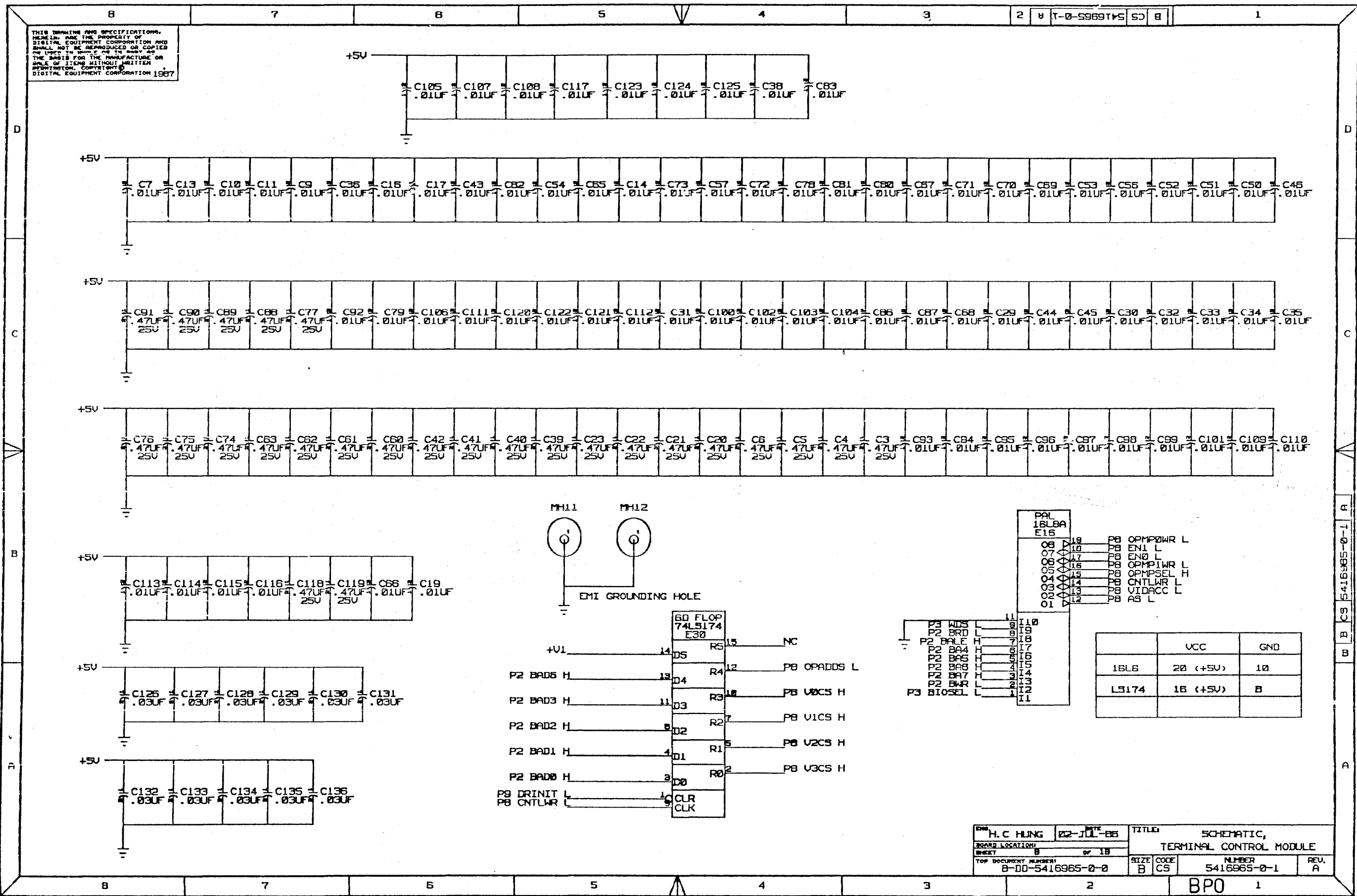


	VCC	GND
LS04	14 (+5V)	7

DES. H. C. HUNG	DATE 02-JUL-88	TITLE SCHEMATIC, TERMINAL CONTROL MODULE
BOARD LOCATION	7 of 18	
SHEET		
TOP DOCUMENT NUMBER B-DD-5416965-0-0	SIZE B	CODE CS
	NUMBER 5416965-0-1	REV. A

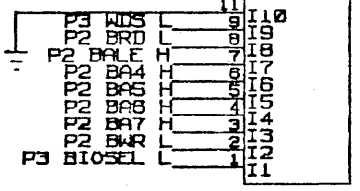
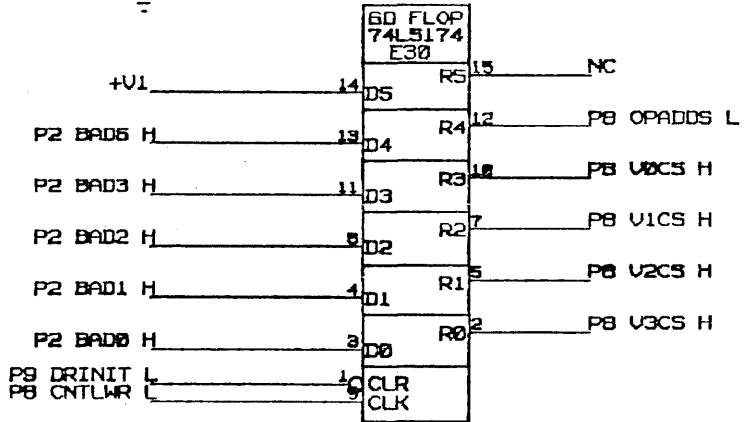
BPO

THIS DRAWING AND SPECIFICATIONS, HEREIN, ARE THE PROPERTY OF DIGITAL EQUIPMENT CORPORATION AND SHALL NOT BE REPRODUCED OR COPIED IN ANY MANNER OR IN ANY MEDIUM WITHOUT WRITTEN PERMISSION. COPYRIGHT © DIGITAL EQUIPMENT CORPORATION 1987



Pin	Signal	Direction	Component
08	V18	→	P8 OPMPWR L
07	V18	→	P8 EN1 L
06	V17	→	P8 EN0 L
05	V16	→	P8 OPMTWR L
04	V15	→	P8 OPMPSEL H
03	V14	→	P8 CNTLWR L
02	V13	→	P8 VIDACC L
01	V12	→	P8 AS L

Component	UCC	GND
16L8	20 (+5V)	10
LS174	16 (+5V)	B

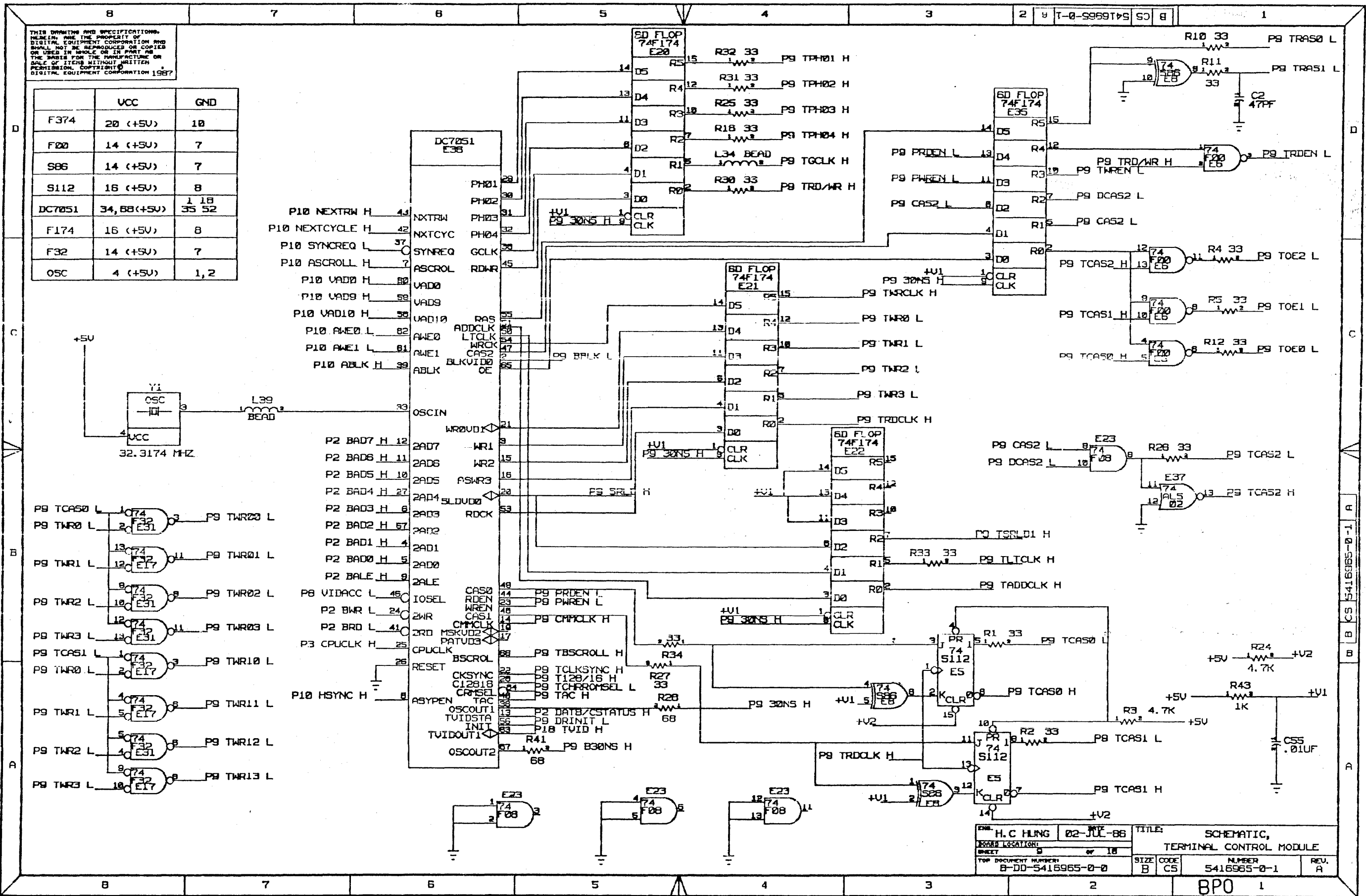


DESIGNER: H.C HUNG	DATE: 02-JUL-85	TITLE: SCHEMATIC, TERMINAL CONTROL MODULE
BOARD LOCATION: B	SHEET: 18	NUMBER: 5416965-0-1
TOP DOCUMENT NUMBER: B-DD-5416965-0-0	SIZE: B	CODE: CS
		REV: A

BPO

THIS DRAWING AND SPECIFICATIONS, HEREIN, ARE THE PROPERTY OF DIGITAL EQUIPMENT CORPORATION AND SHALL NOT BE REPRODUCED OR COPIED OR USED IN WHOLE OR IN PART AS THE BASIS FOR THE MANUFACTURE OR SALE OF ITEMS WITHOUT WRITTEN PERMISSION. COPYRIGHT © DIGITAL EQUIPMENT CORPORATION 1987

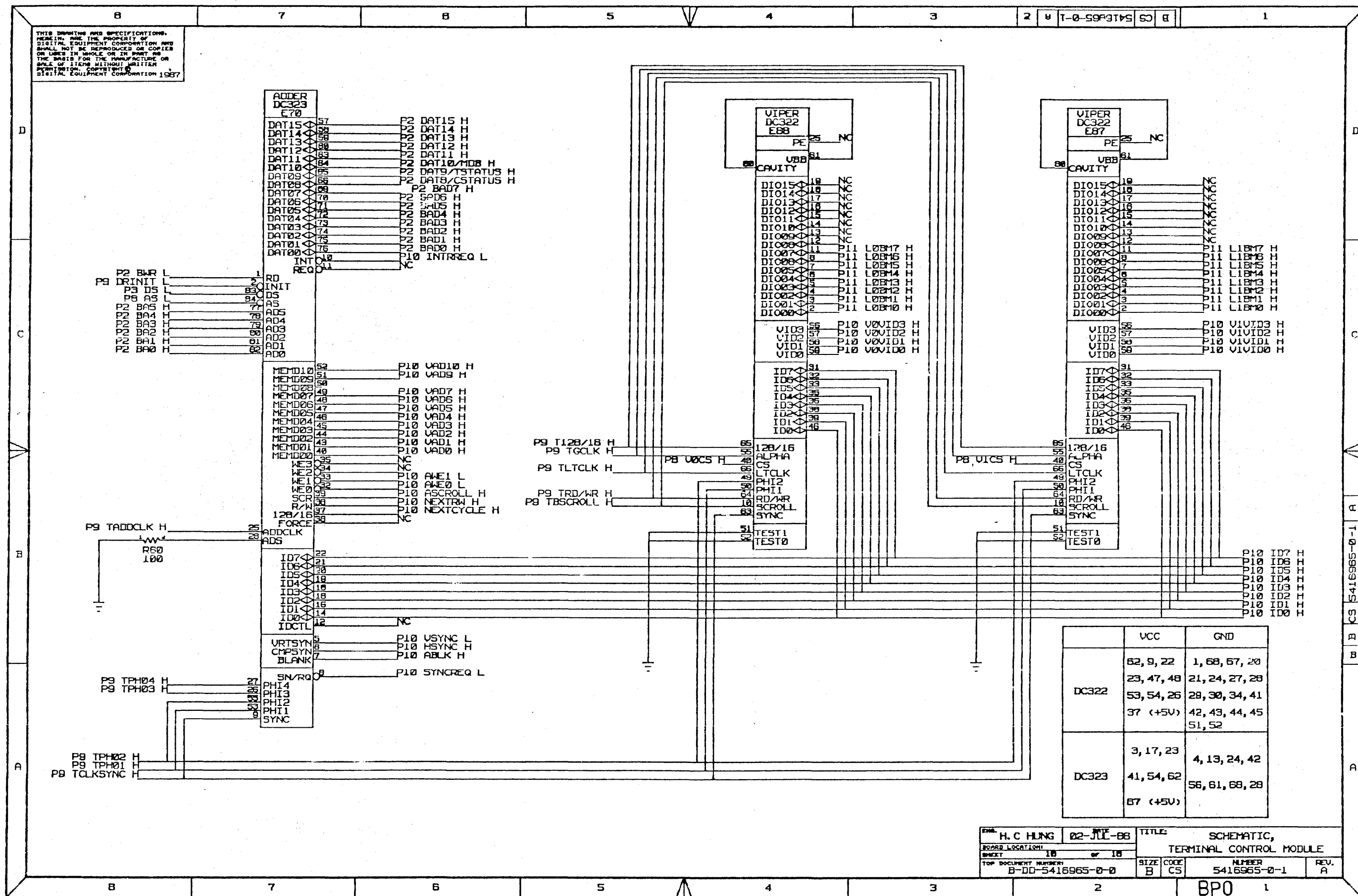
	UCC	GND
F374	20 (+5V)	10
F20	14 (+5V)	7
S86	14 (+5V)	7
S112	16 (+5V)	8
DC7051	34, 58 (+5V)	1 18 35 52
F174	16 (+5V)	8
F32	14 (+5V)	7
OSC	4 (+5V)	1, 2



DESIGNER	H. C. HUNG	DATE	02-JUL-86	TITLE	SCHEMATIC, TERMINAL CONTROL MODULE			
DESIGN LOCATION				SHEET	0	OF	18	
TYPE DOCUMENT NUMBER	B-DD-5416965-0-0			SIZE	B	CODE	C5	
				NUMBER	5416965-0-1		REV.	A

BPO 1

THIS DRAWING AND SPECIFICATIONS, HEREIN, ARE THE PROPERTY OF DIGITAL EQUIPMENT CORPORATION AND SHALL NOT BE REPRODUCED OR COPIED OR LENT IN WHOLE OR IN PART AS THE BASIS FOR THE MANUFACTURE OR SALE OF ITEMS WITHOUT WRITTEN PERMISSION. COPYRIGHT © DIGITAL EQUIPMENT CORPORATION 1987



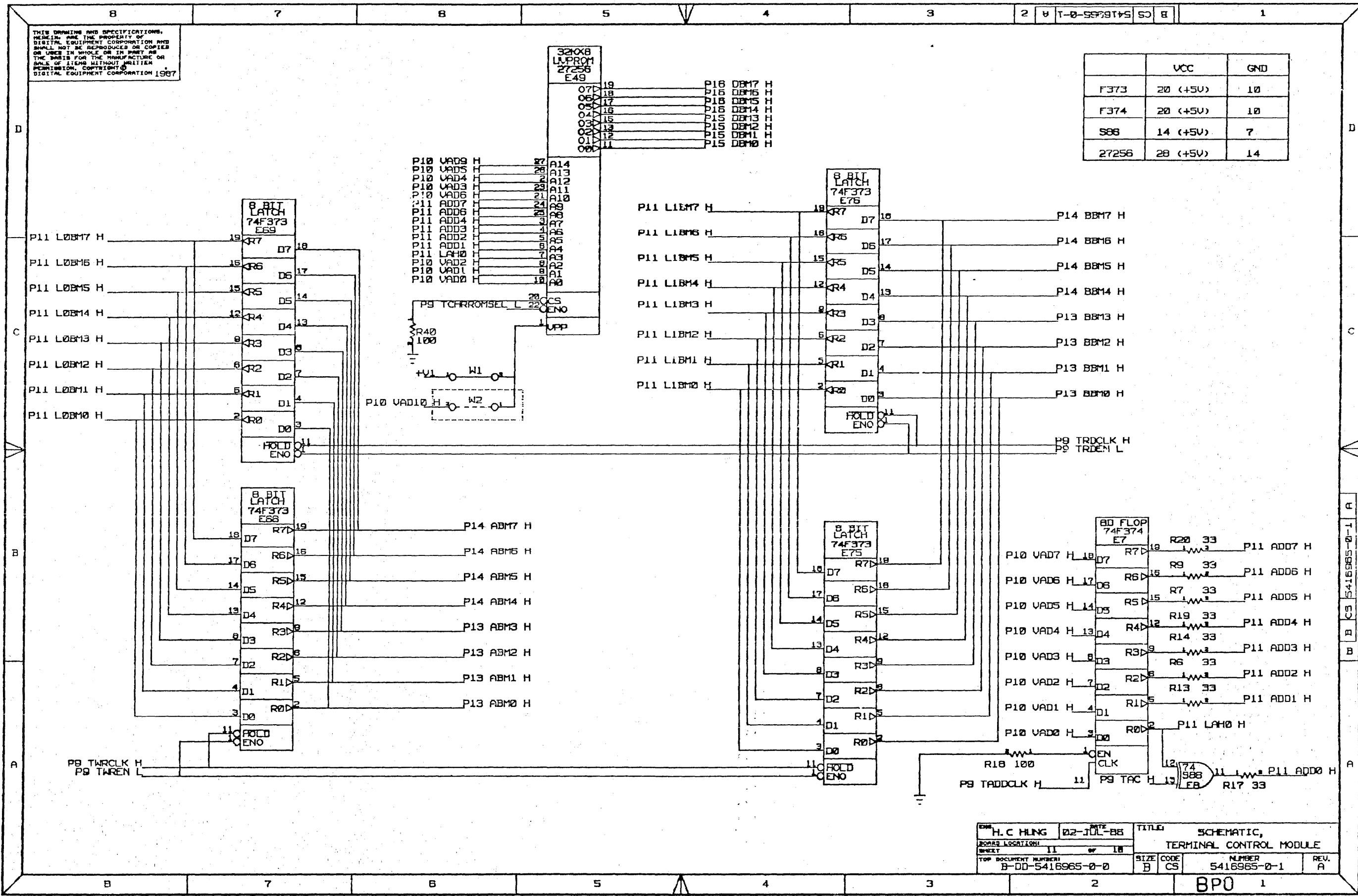
	VCC	GND
DC322	62, 9, 22	1, 68, 67, 20
	23, 47, 48	21, 24, 27, 28
	53, 54, 26	28, 30, 34, 41
	37 (+5V)	42, 43, 44, 45 51, 52
DC323	3, 17, 23	4, 13, 24, 42
	41, 54, 62	56, 61, 68, 28
	87 (+5V)	

DESIGNED BY: H. C. HUNG DATE: 02-JUL-88 TITLE: SCHEMATIC, TERMINAL CONTROL MODULE
 BOARD LOCATION: 18 SHEET: 18 OF 18
 TOP DOCUMENT NUMBER: B-DD-5416965-0-0 SIZE: B CODE: CS NUMBER: 5416965-0-1 REV: A

BPO

THIS DRAWING AND SPECIFICATIONS, HEREIN, ARE THE PROPERTY OF DIGITAL EQUIPMENT CORPORATION AND SHALL NOT BE REPRODUCED OR COPIED OR USED IN WHOLE OR IN PART AS THE BASIS FOR THE MANUFACTURE OR SALE OF ITEMS WITHOUT WRITTEN PERMISSION. COPYRIGHT © DIGITAL EQUIPMENT CORPORATION 1987

	VCC	GND
F373	20 (+5V)	10
F374	20 (+5V)	10
S88	14 (+5V)	7
27256	28 (+5V)	14

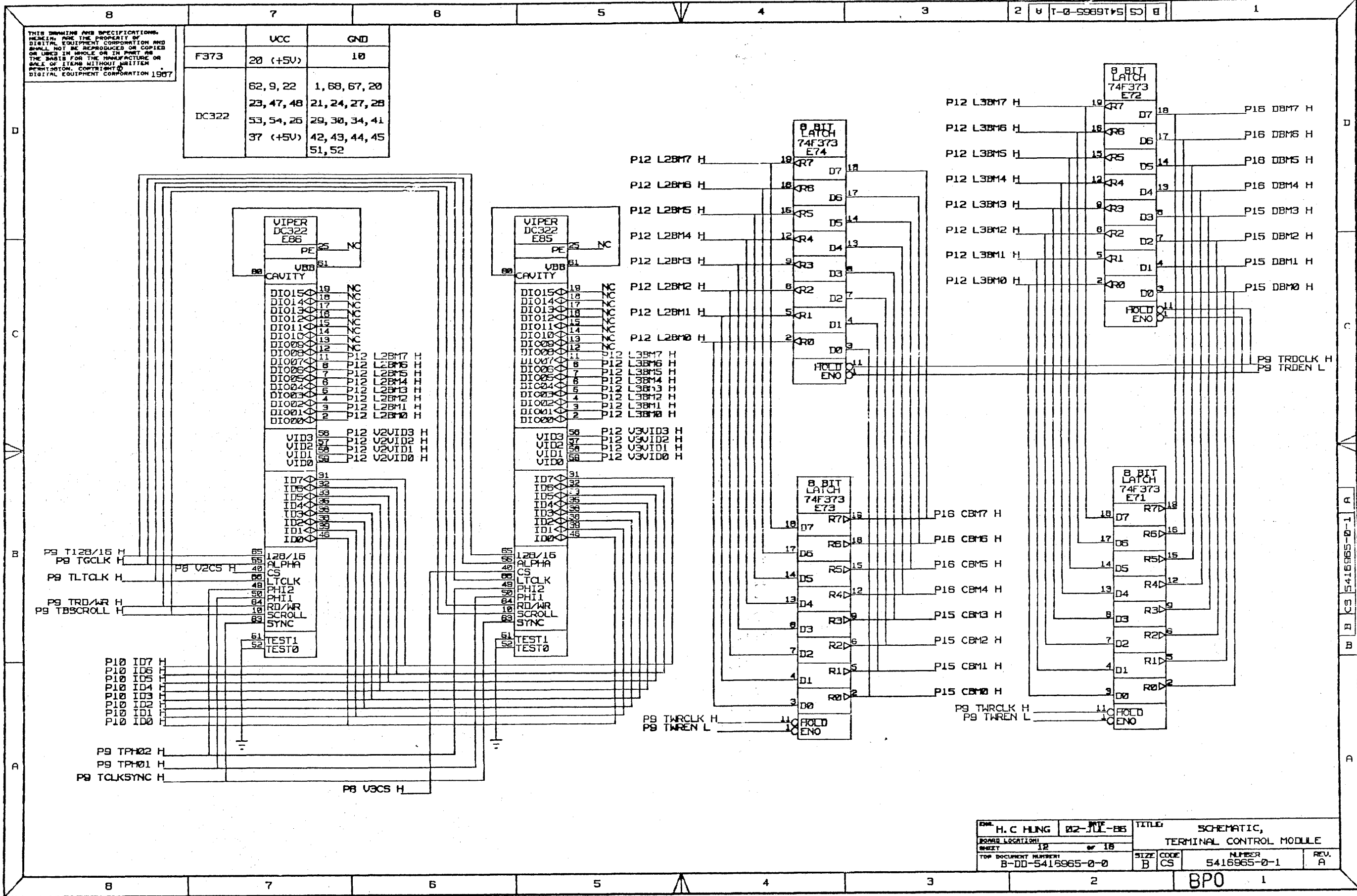


DESIGNER	H. C. HUNG	DATE	02-JUL-88	TITLE	SCHEMATIC,
BOARD LOCATION	11		OF	18	TERMINAL CONTROL MODULE
SHEET	11		OF	18	
TOP DOCUMENT NUMBER	B-DD-5416965-0-0	SIZE	B	CODE	CS
		NUMBER	5416965-0-1	REV.	A

BPO 1

THIS DRAWING AND SPECIFICATIONS HEREIN ARE THE PROPERTY OF DIGITAL EQUIPMENT CORPORATION AND SHALL NOT BE REPRODUCED OR COPIED OR USED IN WHOLE OR IN PART AS THE BASIS FOR THE MANUFACTURE OR SALE OF ITEMS WITHOUT WRITTEN PERMISSION. COPYRIGHT © DIGITAL EQUIPMENT CORPORATION 1967

	UCC	GND
F373	20 (+5V)	10
DC322	62, 9, 22	1, 68, 67, 20
	23, 47, 48	21, 24, 27, 28
	53, 54, 26	29, 30, 34, 41
	37 (+5V)	42, 43, 44, 45 51, 52

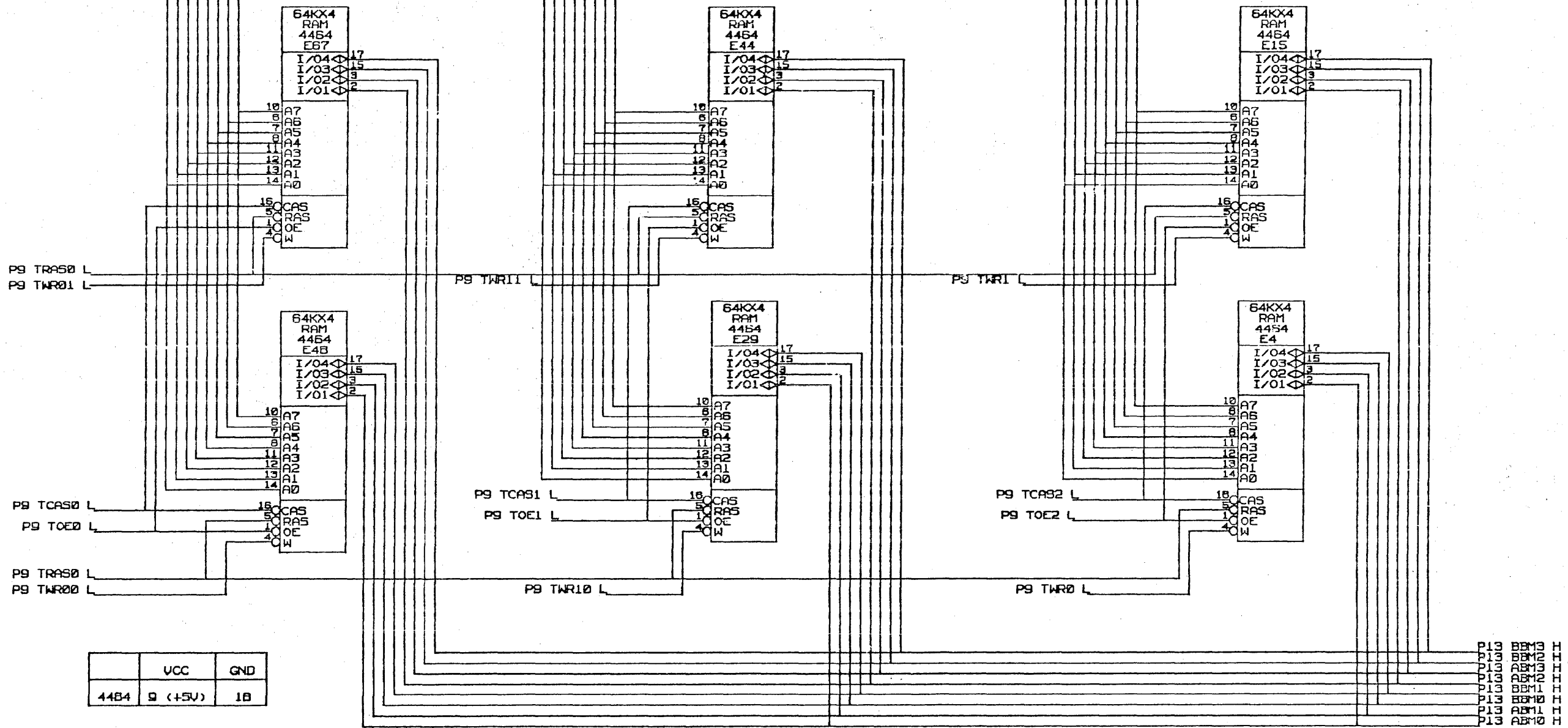


DESIGNER	H. C HUNG	DATE	02-JUL-65	TITLE	SCHEMATIC, TERMINAL CONTROL MODULE		
BOARD LOCATION	12		of 18	SIZE	B	CODE	CS
TOP DOCUMENT NUMBER	B-DD-5416965-0-0		NUMBER	5416965-0-1		REV.	A

BPO 1

THIS DRAWING AND SPECIFICATIONS, HEREIN, ARE THE PROPERTY OF DIGITAL EQUIPMENT CORPORATION AND SHALL NOT BE REPRODUCED OR COPIED OR USED IN WHOLE OR IN PART AS THE BASIS FOR THE MANUFACTURE OR SALE OF ITEMS WITHOUT WRITTEN PERMISSION. COPYRIGHT © DIGITAL EQUIPMENT CORPORATION 1987

P11 ADD7 H
P11 ADD6 H
P11 ADD5 H
P11 ADD4 H
P11 ADD3 H
P11 ADD2 H
P11 ADD1 H
P11 ADD0 H

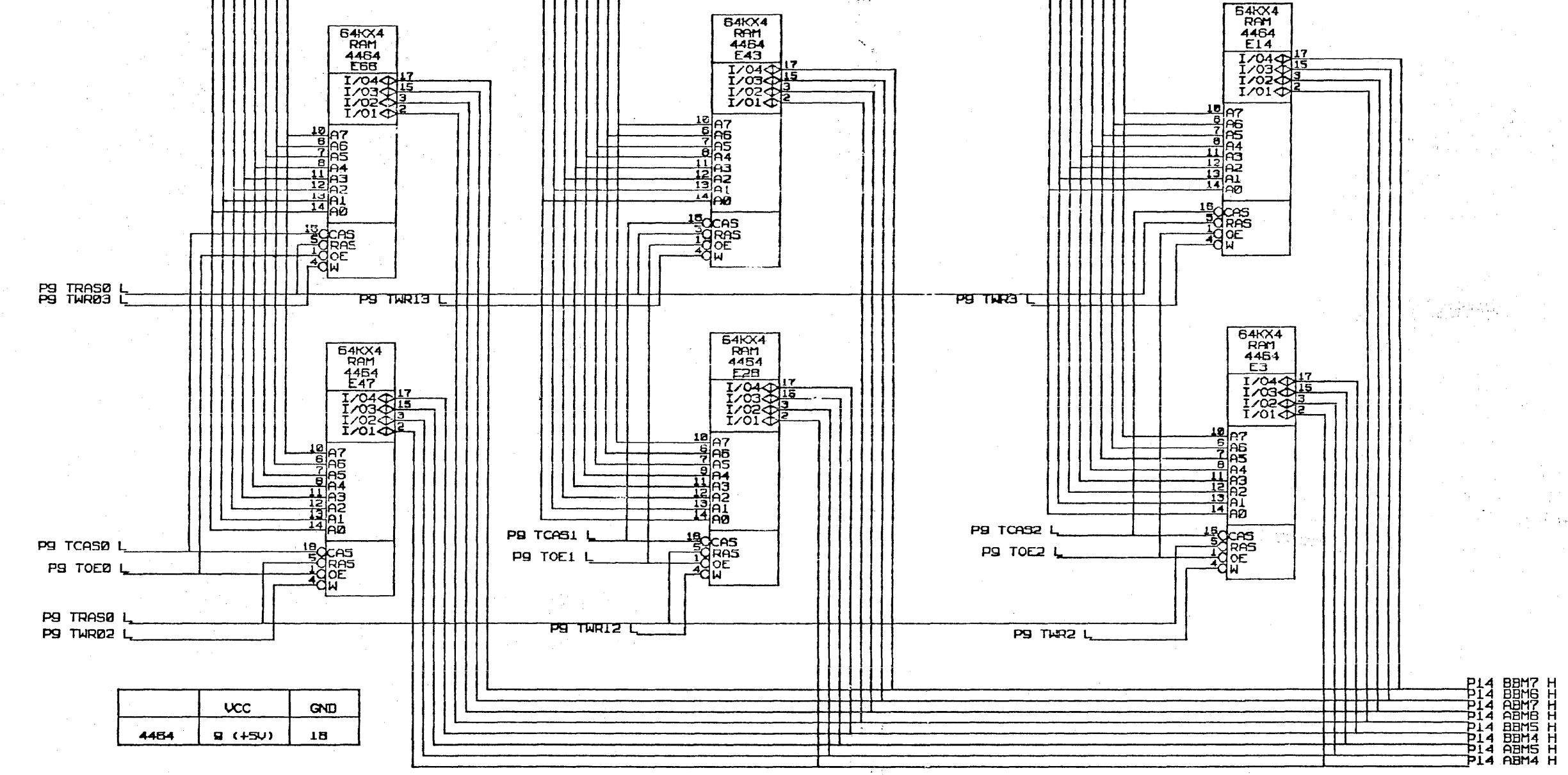


DESIGNER: H. C. HUNG	DATE: 02-JUL-86	TITLE: SCHEMATIC, TERMINAL CONTROL MODULE
BOARD LOCATION: 13	OF 18	SIZE: B
TOP DOCUMENT NUMBER: B-DD-5416965-0-0	CODE: CS	NUMBER: 5416965-0-1
		REV: A

BPO

THIS DRAWING AND SPECIFICATIONS, BEING THE PROPERTY OF DIGITAL EQUIPMENT CORPORATION AND SHALL NOT BE REPRODUCED OR COPIED OR USED IN WHOLE OR IN PART AS THE BASIS FOR THE MANUFACTURE OR SALE OF ITEMS WITHOUT WRITTEN PERMISSION. COPYRIGHT © DIGITAL EQUIPMENT CORPORATION 1987

P11 ADD7 H
P11 ADD6 H
P11 ADD5 H
P11 ADD4 H
P11 ADD3 H
P11 ADD2 H
P11 ADD1 H
P11 ADD0 H



	VCC	GND
4464	9 (+5V)	18

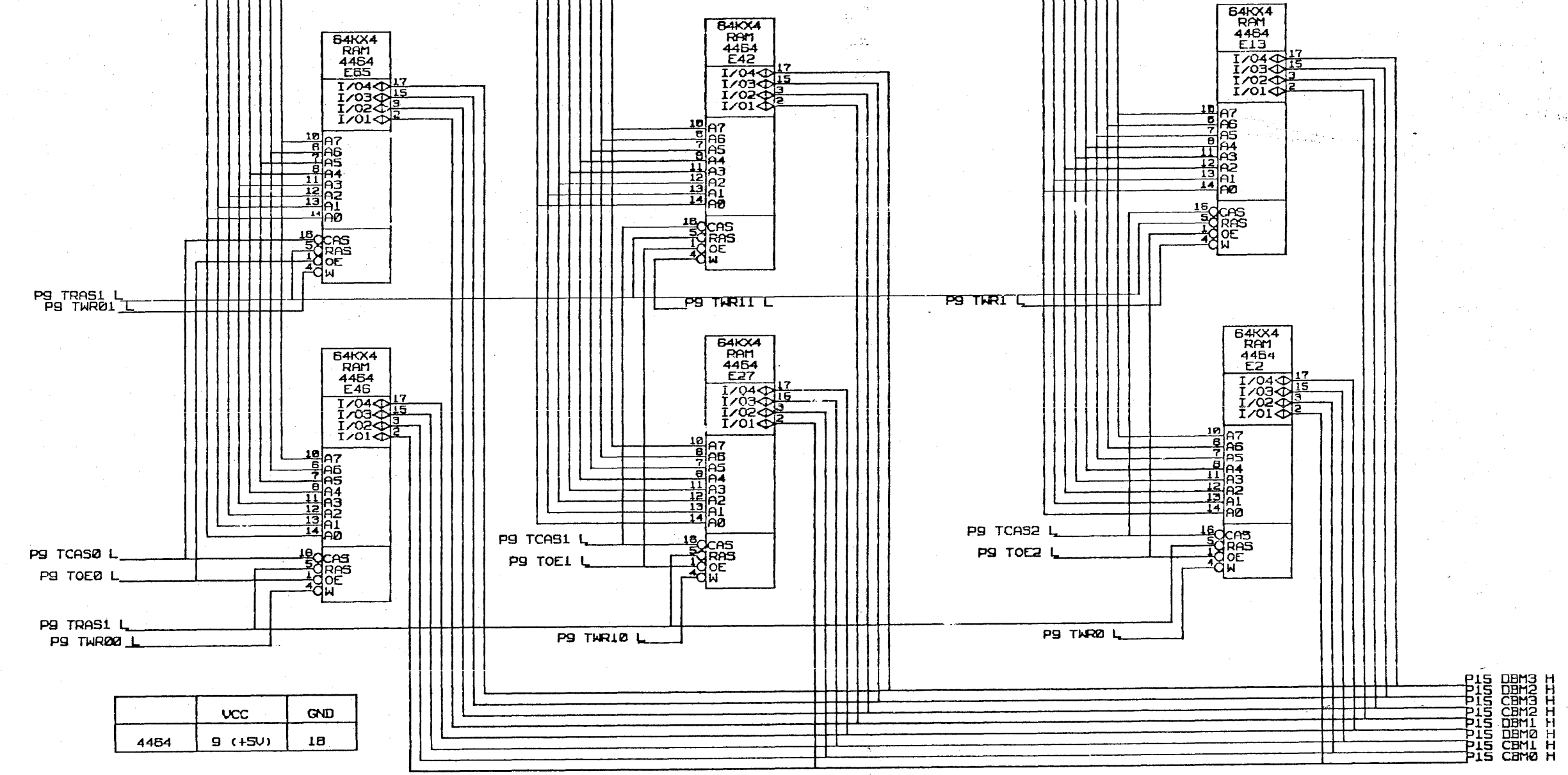
DESIGNER: H. C HUNG	DATE: 02-JUL-86	TITLE: SCHEMATIC, TERMINAL CONTROL MODULE
ROOM LOCATION: 14	OF 18	
TOP DOCUMENT NUMBER: B-DD-5416965-0-0	SIZE: B	CODE: CS
	NUMBER: 5416965-0-1	REV. A

BPO 1

B CS 5416965-0-1 A

THIS DRAWING AND SPECIFICATIONS HEREIN ARE THE PROPERTY OF DIGITAL EQUIPMENT CORPORATION AND SHALL NOT BE REPRODUCED OR COPIED OR USED IN WHOLE OR IN PART AS THE BASIS FOR THE MANUFACTURE OR SALE OF ITEMS WITHOUT WRITTEN PERMISSION. COPYRIGHT © DIGITAL EQUIPMENT CORPORATION 1987

P11 ADD7 H
P11 ADD6 H
P11 ADD5 H
P11 ADD4 H
P11 ADD3 H
P11 ADD2 H
P11 ADD1 H
P11 ADD0 H



	VCC	GND
4464	9 (+5V)	18

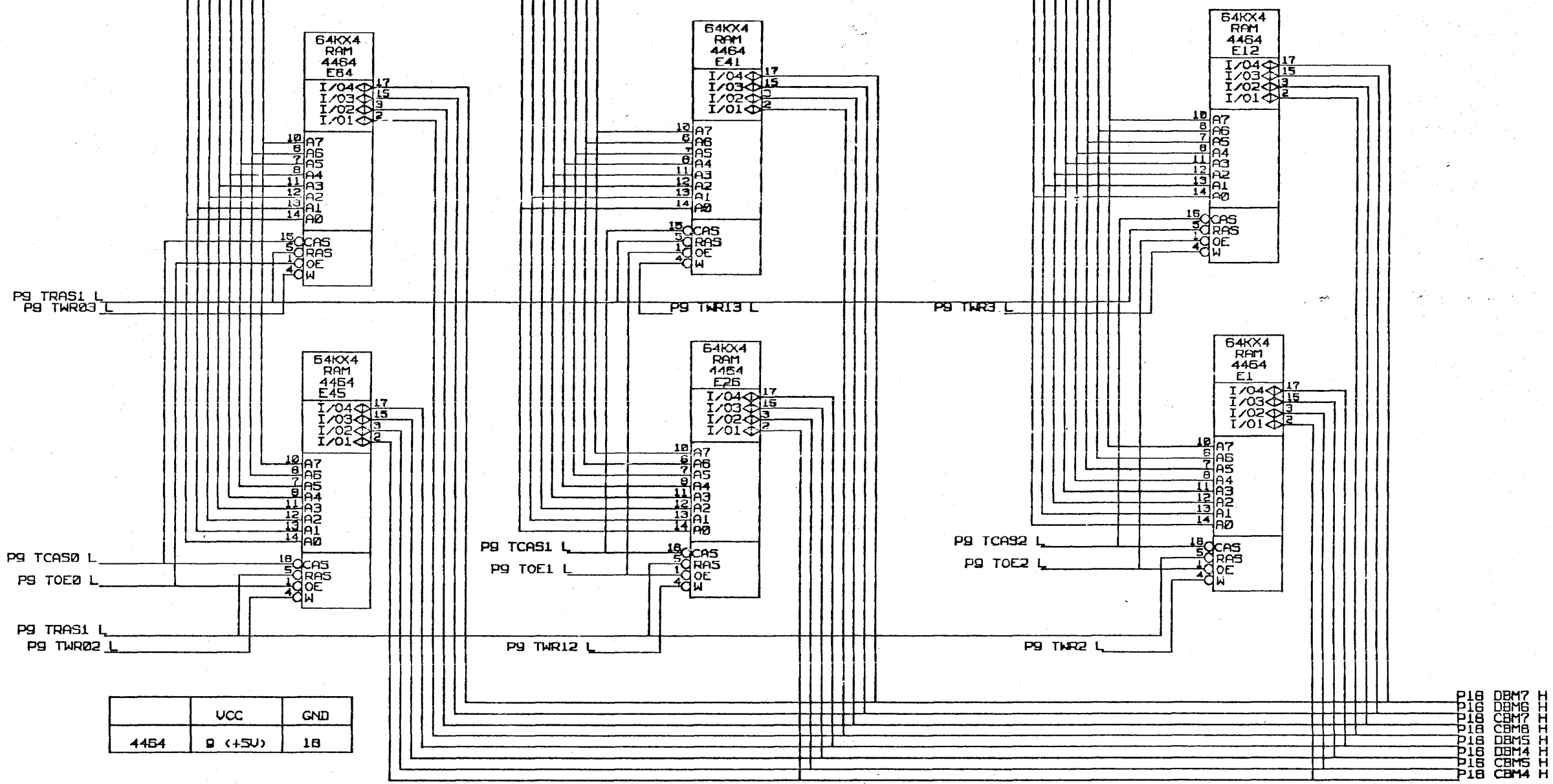
P15 DBM3 H
P15 DBM2 H
P15 CBM3 H
P15 CBM2 H
P15 DBM1 H
P15 DBM0 H
P15 CBM1 H
P15 CBM0 H

DESIGNER: H. C. HUNG	DATE: 02-JUL-88	TITLE: SCHEMATIC, TERMINAL CONTROL MODULE
BOARD LOCATION: 15	OF 18	
TOP DOCUMENT NUMBER: B-DD-5416965-0-0	SIZE: B	CODE: CS
	NUMBER: 5416965-0-1	REV: A

BPO

THIS DRAWING AND SPECIFICATIONS
HEREIN ARE THE PROPERTY OF
DIGITAL EQUIPMENT CORPORATION AND
SHALL NOT BE REPRODUCED OR COPIED
OR USED IN WHOLE OR IN PART AS
THE BASIS FOR THE MANUFACTURE OR
SALE OF ITEMS WITHOUT WRITTEN
PERMISSION. COPYRIGHT
DIGITAL EQUIPMENT CORPORATION 1987

P11 ADD7 H
P11 ADD6 H
P11 ADD5 H
P11 ADD4 H
P11 ADD3 H
P11 ADD2 H
P11 ADD1 H
P11 ADD0 H

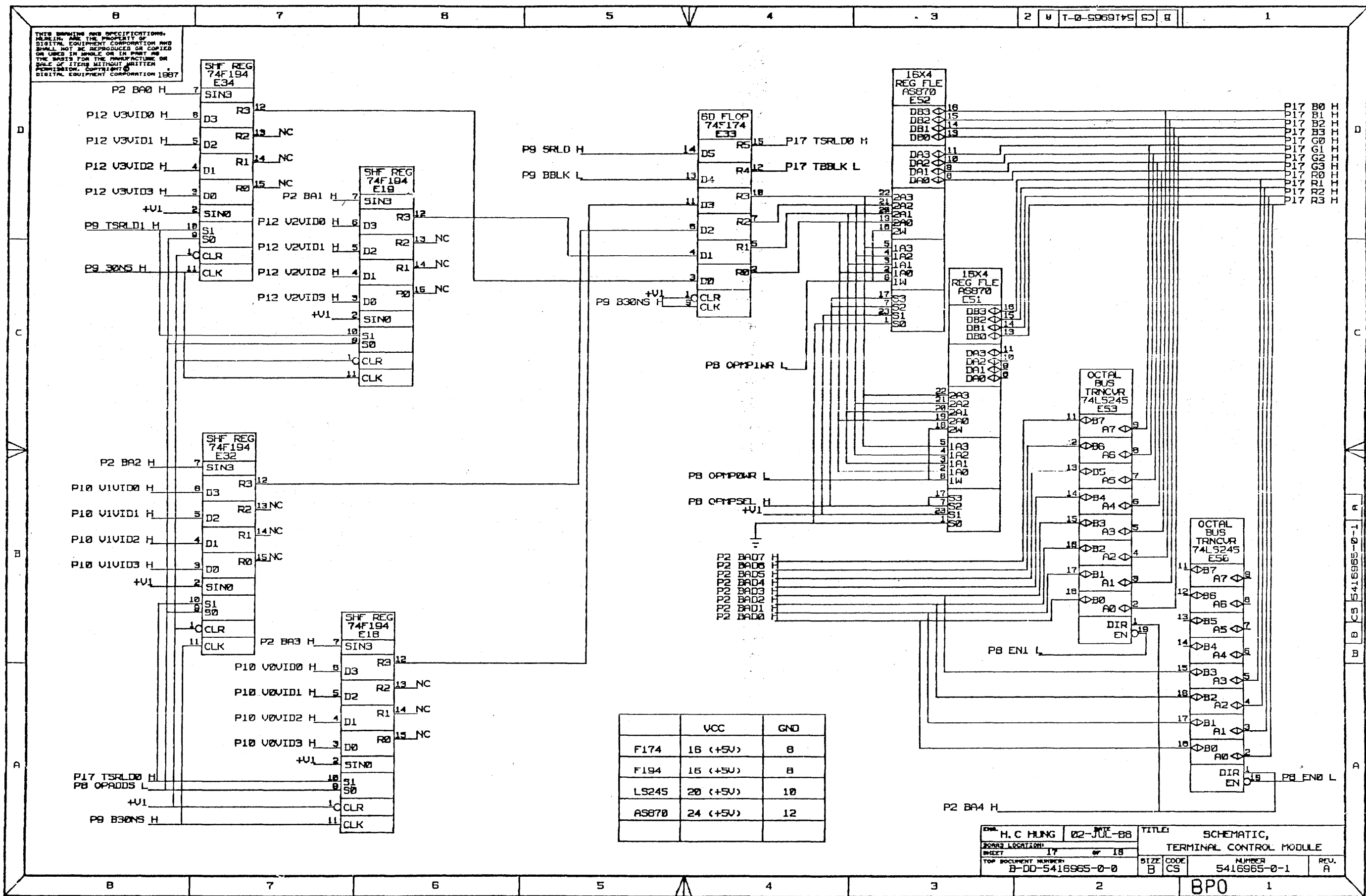


	VCC	GND
4464	9 (+5V)	18

DESIGNER	H. C HUNG	DATE	02-JUL-88	TITLE	SCHEMATIC, TERMINAL CONTROL MODULE		
BOARD LOCATION	15 of 15			SIZE	B	CODE	CS
TOP DOCUMENT NUMBER	B-DD-5416965-0-0			NUMBER	5416965-0-1		REV.
							A

BPO

THIS DRAWING AND SPECIFICATIONS, HEREIN, ARE THE PROPERTY OF DIGITAL EQUIPMENT CORPORATION AND SHALL NOT BE REPRODUCED OR COPIED OR USED IN WHOLE OR IN PART AS THE BASIS FOR THE MANUFACTURE OR SALE OF ITEMS WITHOUT WRITTEN PERMISSION. COPYRIGHT © DIGITAL EQUIPMENT CORPORATION 1987

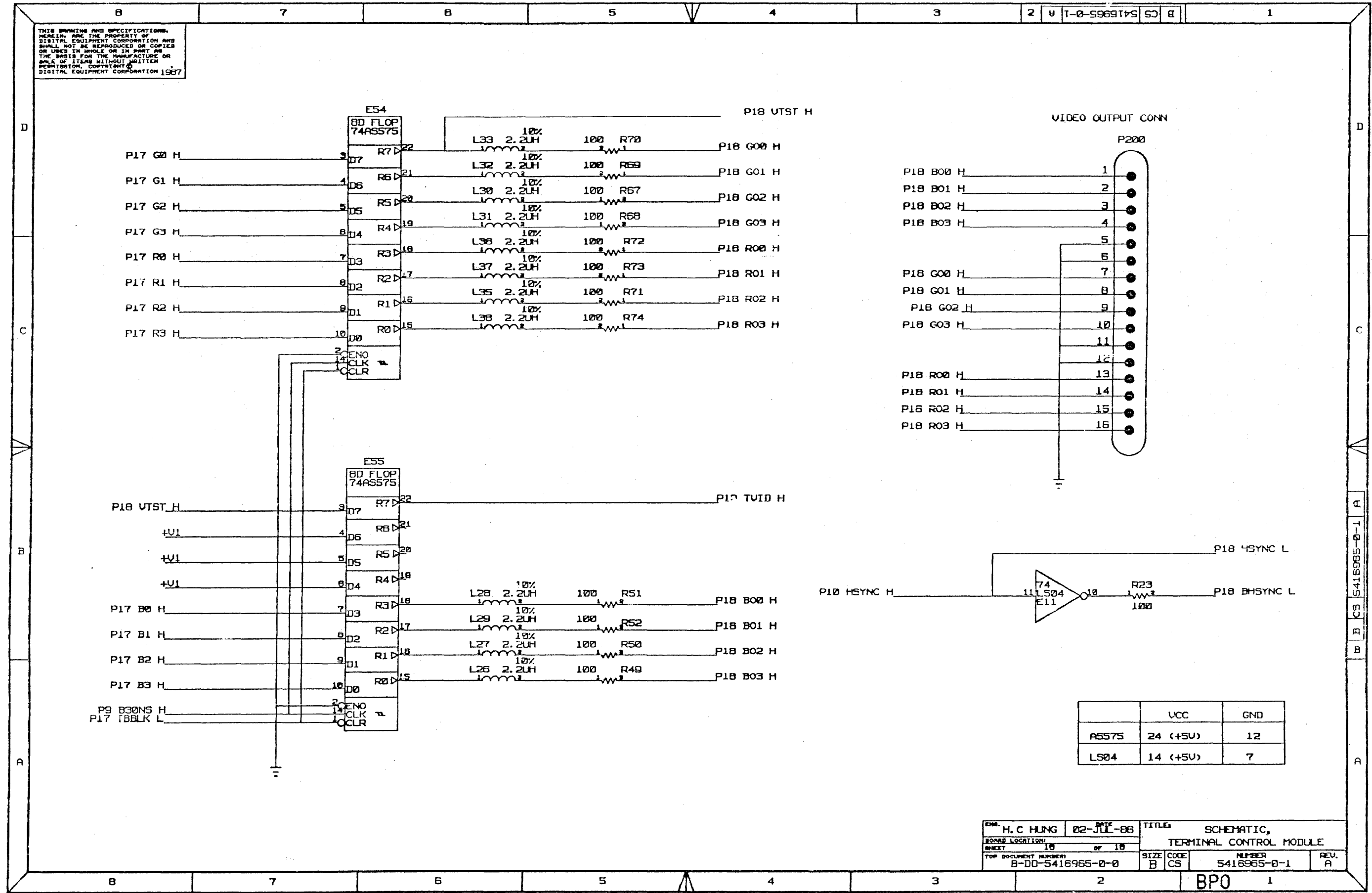


	VCC	GND
F174	16 (+5V)	8
F194	16 (+5V)	8
LS245	20 (+5V)	10
AS870	24 (+5V)	12

DES: H. C HUNG 02-JUL-88 TITLE: SCHEMATIC, TERMINAL CONTROL MODULE
 BOARD LOCATION: 17 of 18
 SHEET: 17 of 18
 TOP DOCUMENT NUMBER: B-DD-5416965-0-0 SIZE: B CODE: CS NUMBER: 5416965-0-1 REV: A

BPO

THIS DRAWING AND SPECIFICATIONS, HEREIN, ARE THE PROPERTY OF DIGITAL EQUIPMENT CORPORATION AND SHALL NOT BE REPRODUCED OR COPIED OR USED IN WHOLE OR IN PART AS THE BASIS FOR THE MANUFACTURE OR SALE OF ITEMS WITHOUT WRITTEN PERMISSION. COPYRIGHT © DIGITAL EQUIPMENT CORPORATION 1987



	VCC	GND
AS575	24 (+5V)	12
LS04	14 (+5V)	7

DES. H. C HUNG	DATE 02-JUL-86	TITLE SCHEMATIC,
BOARD LOCATION	SHEET 10 OF 18	TERMINAL CONTROL MODULE
TOP DOCUMENT NUMBER B-DD-5416965-0-0	SIZE B	CODE CS
		NUMBER 5416965-0-1
		REV. A

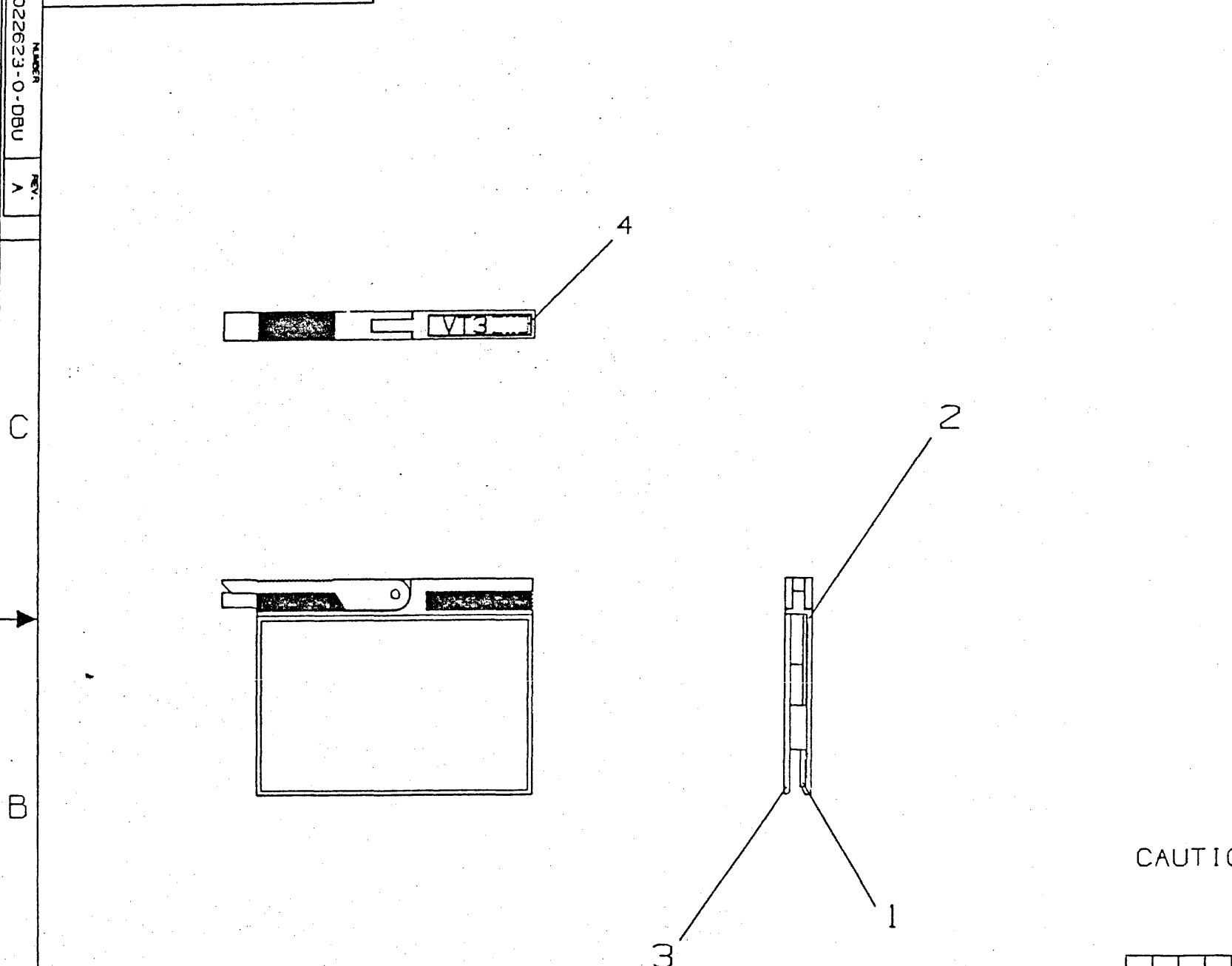
BPO

4 3 2 1

THIS DRAWING AND SPECIFICATIONS HEREIN ARE THE PROPERTY OF DIGITAL EQUIPMENT CORPORATION AND SHALL NOT BE REPRODUCED OR COPIED OR USED IN WHOLE OR IN PART AS THE BASIS FOR THE MANUFACTURE OR SALE OF ITEMS WITHOUT WRITTEN PERMISSION.
 COPYRIGHT 1987 DIGITAL EQUIPMENT CORPORATION

LEGEND		
PART NO	REV.	DESCRIPTION
7022623-04	A01	AS SHOWN

NOTES:
 1. ASSEMBLING PROCEDURE:
 ATTACH ITEM 2 AND ITEM 3 USING
 CHLOROFORM TO DISSOLVE AT JOINT.



CAUTION : OFF SHEET PARTS LIST EXISTS.
 SEE K-PL-7022623-0-DBP
 (GH307A.PLS)

REVISION HISTORY		DATE
REV	ECC NUMBER	21-JAN
A	RELEASED	

DESCRIPTION	DRAWING NO.	PART NO.	ITEM NO.
UNLESS OTHERWISE SPECIFIED DIMENSIONS ARE IN INCHES AND THE FOLLOWING TOLERANCES APPLY (PER DEC STD 114)			
INCHES TOLERANCES	ANGLES TO 90°	APPLICABLE DIMENSION RANGE (CHECK ONE)	DIMENSIONS RANGE IN INCHES
			OVER 0 TO 0.25 ±.02
SURFACE QUALITY	MICROINCHES	<input type="checkbox"/> ±.02 <input type="checkbox"/> ±.03 <input type="checkbox"/> ±.05 <input type="checkbox"/> ±.10	OVER 0.25 TO 1.2 ±.03
			OVER 1.2 TO 4.0 ±.05
QUANTITY & VARIATION	<input type="checkbox"/> ±.004 <input type="checkbox"/> ±.008 <input type="checkbox"/> ±.012 <input type="checkbox"/> ±.016 <input type="checkbox"/> ±.024 <input type="checkbox"/> ±.04	<input type="checkbox"/> ±.02 <input type="checkbox"/> ±.03 <input type="checkbox"/> ±.05 <input type="checkbox"/> ±.10	OVER 4.0 TO 12.0 ±.05 OVER 12.0 TO 40.0 ±.10 OVER 40.0 TO 80.0 ±.10
THIRD ANGLE PROJECTION	DRN J.N. LIN	DATE 30-APR-86	TITLE digital
DO NOT SCALE DRAWING	CHK'D I. LIN	DATE 05-JAN-87	ROM CARTRIDGE
REMOVE BURRS AND BREAK SHARP CORNERS	DES ENO J. KUO	DATE 30-APR-86	
MATERIAL -//-	RESP ENO O. LIN	DATE 05-JAN-87	DOCUMENT NUMBER
FINISH -//-	MFG ENO G. WU	DATE 23-JAN-87	SIZE CODE NUMBER REV C AD 7022623-0-DBU A
	TOP DOC. NO. C-AD-7022623-0-DBU	SCALE 1/1	SHEET 1 OF 1

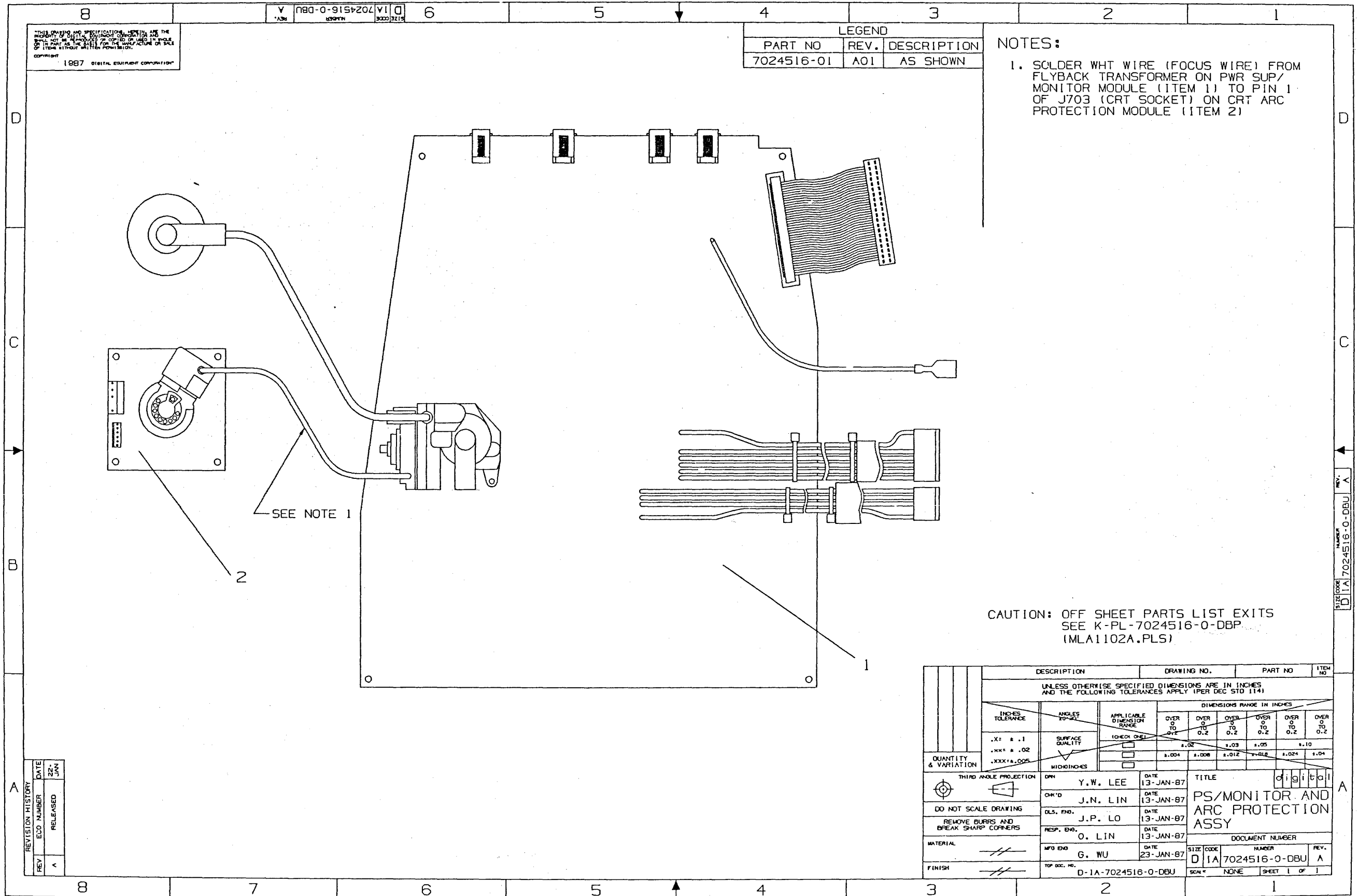
STATE CODE
 7022623-0-DBU
 NUMBER
 REV. A

REV. A
 NUMBER 7022623-0-DBU
 SIZE CODE C AD

LINE ITEM	TOP DOCUMENT	PART NUMBER	MIN REV	DESCRIPTION	04 A1
1	B-DD-5416967-0-0	54-16967-02	A	VT330/VT340 ROM CARTRIDGE MODULE	1
2	C-IA-7023975-0-DBU	70-23975-01	A	CARTRIDGE BOTTOM/HANDLE ASSY	1
3	C-MD-7432558-0-DBU	74-32558-01	A	COVER, CARTRIDGE	1
4		36-26789-04		LABEL,ROM CARTRIDGE VT330/340	1

REVISION HISTORY		KPL MATRIX FORMAT		SECTION A OF A	DRN: J.N. LIN	D I G I T A L			
ENG	ECO NUMBER	REV	SECTION/VARIATION INDEX		DATE: 19-APR-86				
---	INITIAL	A	[A] 04		CHK'D: I. LIN	TITLE PARTS LIST			
			[B]		DATE: 18-DEC-86	ROM CARTRIDGE			
			[C]		DES.ENG: J. KUO				
			[D]		DATE: 19-APR-86	DOCUMENT NUMBER			
			[E]			SIZE	CODE	NUMBER	REV
			[F]		RESP.ENG.: O. LIN	K	PL	7022623-0-DBP	A
			[H]		DATE: 18-DEC-86	RELEASE DATE: 18-FEB-87			
			[J]		MFG.ENG: GORDON WU	RELEASE STATUS: RELEASED			
					DATE: 26-JAN-87				
		BASIC PART NUMBER:		ASSEMBLY NUMBER:	TOP DOCUMENT NUMBER:	FILE NAME:		EDIT #	
		7022623		C-AD-7022623-0-DBU	C-AD-7022623-0-DBU	GH307A.PLS		41	

"THIS DRAWING AND THE SPECIFICATIONS CONTAINED HEREIN ARE CONFIDENTIAL AND PROPRIETARY. THEY ARE THE PROPERTY OF DIGITAL EQUIPMENT CORPORATION AND SHALL NOT BE REPRODUCED OR COPIED OR USED IN WHOLE OR IN PART AS THE BASIS FOR THE MANUFACTURE OR SALE OF ITEMS WITHOUT WRITTEN PERMISSION. THIS IS AN UNPUBLISHED WORK PROTECTED UNDER THE FEDERAL COPYRIGHT LAWS."



AUTOMATED BY VAXKPL (V1.3)

PARTS LIST

SHEET A1 OF A1
 QUANTITY PER VARIATION/REVISION

LINE ITEM	TOP DOCUMENT	PART NUMBER	MIN REV	DESCRIPTION	QTY
1	B-DD-5416961-0-0	54-16961-01	A	PWR SUPPLY/MONITOR MODULE	1
2	B-DD-5417106-0-0	54-17106-01	A	CRT ARC PROTECTION MODULE	1

REVISION HISTORY		KPL MATRIX FORMAT		SECTION A OF A	DRN: Y. W. LEE	DIGITAL			
ENG	ECO NUMBER	REV	SECTION/VARIATION INDEX		DATE: 13-JAN-87	TITLE PARTS LIST			
---	INITIAL	A	[A]	01	CHK'D: J. N. LIN	PS/MONITOR AND ARC PROTECTION ASSY			
			[B]		DATE: 13-JAN-87	DOCUMENT NUMBER			
			[C]		DES.ENG: J. P. LO	SIZE	CODE	NUMBER	REV
			[D]		DATE: 13-JAN-87	K	PL	7024516-0-DBP	A
			[E]		RESP.ENG.: O. LIN	RELEASE DATE: 18-FEB-87			
			[F]		DATE: 13-JAN-87	RELEASE STATUS: RELEASED			
			[H]		MFG.ENG: GORDON WU				
			[J]		DATE: 26-JAN-87				
		BASIC PART NUMBER:		ASSEMBLY NUMBER:	TOP DOCUMENT NUMBER:	FILE NAME:		EDIT #	
		7024516		D-IA-7024516-0-DBU	D-IA-7024516-0-DBU	MLA1102A.PLS		16	

"THIS DRAWING AND THE SPECIFICATIONS CONTAINED HEREIN ARE CONFIDENTIAL AND PROPRIETARY. THEY ARE THE PROPERTY OF DIGITAL EQUIPMENT CORPORATION AND SHALL NOT BE REPRODUCED OR COPIED OR USED IN WHOLE OR IN PART AS THE BASIS FOR THE MANUFACTURE OR SALE OF ITEMS WITHOUT WRITTEN PERMISSION. THIS IS AN UNPUBLISHED WORK PROTECTED UNDER THE FEDERAL COPYRIGHT LAWS."

DRAWING NO.	NO. OF SHTS.	PART NO.	DESCRIPTION	REVISIONS																					
		54-16961-01	PWR SUP/MONITOR MODULE	A1																					
D-UA-5416961-0-0	1		UNIT ASSY	A																					
B-CS-5416961-0-1	3		SCHEMATIC	A																					
K-PL-5416961-0-DBP	6		PARTS LIST	A																					
K-PC-5416961-0-DBV	1		P.C. DESIGN DATA BASE	A																					
K-CS-5416961-0-DBX	1		VALID DATA BASE	A																					
		50-16960-01	ETCH CIRCUIT BOARD	F1																					
B-DD-5016960-0-0	1		DRAWING DIRECTORY	A																					

NOTES:

REVISION HISTORY		ECO NO.	REV.
DATE	JAN '87	RELEASED	A

THIS DRAWING AND THE SPECIFICATIONS CONTAINED HEREIN ARE CONFIDENTIAL AND PROPRIETARY. THEY ARE THE PROPERTY OF DIGITAL EQUIPMENT CORPORATION AND SHALL NOT BE REPRODUCED OR COPIED OR USED IN WHOLE OR IN PART AS THE BASIS FOR THE MANUFACTURE OR SALE OF ITEMS WITHOUT WRITTEN PERMISSION. THIS IS AN UNPUBLISHED WORK PROTECTED UNDER THE FEDERAL COPYRIGHT LAWS.

1987



DRN.	F. LIU	DATE	5-MAY-86	TITLE	DWG DIR, PWR SUP/MONITOR MODULE		
CHK'D	B. CHEN	DATE	5-MAY-86	DOCUMENT NUMBER			
DES. ENG.	C.L. CHUANG	DATE	5-MAY-86				
RESP. ENG.	L. JEAN	DATE	5-MAY-86	SIZE	CODE	NUMBER	REV.
MFG. ENG.	<i>Yang Lotman</i>	DATE	6 Feb 87	B	DD	5416961-0-0	A
						SHEET	1 OF 1

LINE	ITEM	TOP DOCUMENT	PART NUMBER	MIN REV	DESCRIPTION	QTY PER VAR/REV	REFERENCE DESIGNATORS
						01 A1	
1	1	B-DD-5016960-0-0	50-16960-01	F	CIRCUIT DRILL AND ETCH	1	
2	2		10-10274-02		1.0 MFD 50V +80/-20% Z5U C	1	C914
3	3		10-11740-02	1800	PFD 50V +/-10% X7R C	1	C915
4	4		10-12312-01		0.47 MFD 50V +80/-20% Z5U C	4	C603,C921-C923
5	5		10-12784-00		0.047MFD 50V +80/-20% Z5U C	2	C101,C809
6	6		10-13466-04	33	PFD 50V +/- 5% NP0 C	1	C508
7	7		10-13466-11		0.22 MFD 50V +80/-20% Z5U C	2	C903,C918
8	8		10-13466-12	2200	PFD 50V +/-10% X7R C	1	C920
9	9		10-13466-19	470	PFD 50V +/- 5% NP0 C	1	C813
10	10		10-13466-22		0.10 MFD 50V +80/-20% Z5U C	7	C804,C805,C810,C811,C913,C919, CONT C930
11	11		10-13466-43		0.010MFD 50V +/- 5% X7R C	3	C501,C632,C916
12	12		10-13669-02		0.10 MFD 150V +/- 5% M.POL	3	C505-C507
13	13		10-14052-00	100	MFD 25V +100/-10% ALU	1	C503
14	14		10-16544-00		0.10 MFD 100V +/-10% MYLAR	2	C510,C601
15	15		10-16548-00	1000	MFD 16V +50/-10% ALU	2	C619,C640
16	16		10-16555-00	22	MFD 50V +50/-10% ALU	1	C511
17	17		10-16557-00	470	MFD 16V +50/-20% ALU	1	C604
18	18		10-16570-00	1000	PFD 500V +80/-20% X5S/Z	1	C609
19	19		10-16572-00	300	PFD 500V +/-10% X5F/X	3	C622,C624,C932
20	20		10-18000-00		2.2 MFD 63V +50/-20% ALU	2	C634,C912
21	21		10-18000-07	10	MFD 63V +50/-20% ALU	2	C627,C635
22	22		10-18000-15	10	MFD 250V +50/-20% ALU	1	C621
23	23		10-18000-16	100	MFD 160V +50/-20% ALU	1	C613
24	24		10-18000-17	470	MFD 25V +50/-20% ALU	1	C502
25	25		10-18000-25	220	MFD 16V +/-20% ALU	2	C636,C840
26	26		10-18000-28	1.0	MFD 100V +50/-20% ALU	3	C910,C917,C936
27	27		10-18000-29	10	MFD 25V +75/-20% ALU	3	C516,C623,C630
28	28		10-18000-34	100	MFD 100V +50/-20% ALU	2	C925,C927
29	29		10-18000-40	47	MFD 25V +/-20% ALU	2	C517,C628
30	30		10-18237-01	4700	PFD 100V +/- 5% POLYP	1	C602
31	31		10-19537-01	1000	MFD 35V +50/-10% ALU	1	C620

REVISION HISTORY		KPL MODULE FORMAT		SECTION A OF A		DRN: F LIU		DIGITAL		
ENG	ECO NUMBER	REV	SECTION/VARIATION INDEX		DATE:	05-MAY-86				
---	INITIAL	A	[A]	01	[M]	CHK'D:	B CHEN		TITLE	PARTS LIST
			[B]		[N]	DATE:	05-MAY-86		POWER SUPPLY/MONITOR MODULE	
			[C]		[P]	DES.ENG:	CL CHUANG			
			[D]		[Q]	DATE:	05-MAY-86		DOCUMENT NUMBER	
			[E]		[R]	RESP.ENG.:	L JEAN		SIZE	CODE
			[F]		[S]	DATE:	05-MAY-86		NUMBER	REV
			[H]		[T]	MFG.ENG.:	G. CHRISTIANSEN		K	PL
			[J]		[V]	DATE:	26-JAN-87		5416961-0-DBP	A
			[K]		[W]	RELEASE DATE:	18-FEB-87			
			[L]		[Y]	RELEASE STATUS:	RELEASED			
BASIC PART NUMBER:			ASSEMBLY NUMBER:		TOP DOCUMENT NUMBER:		FILE NAME:		EDIT #	
5416961			D-UA-5416961-0-0		B-DD-5416961-0-0		GH706A.PLS		40	

"THIS DRAWING AND THE SPECIFICATIONS CONTAINED HEREIN ARE CONFIDENTIAL AND PROPRIETARY. THEY ARE THE PROPERTY OF DIGITAL EQUIPMENT CORPORATION AND SHALL NOT BE REPRODUCED OR COPIED OR USED IN WHOLE OR IN PART AS THE BASIS FOR THE MANUFACTURE OR SALE OF ITEMS WITHOUT WRITTEN PERMISSION. THIS IS AN UNPUBLISHED WORK PROTECTED UNDER THE FEDERAL COPYRIGHT LAWS."

LINE	ITEM	TOP DOCUMENT	PART NUMBER	MIN REV	DESCRIPTION	QTY PER VAR/REV	REFERENCE DESIGNATORS
						01 A1	
32	32		10-21205-02	1000	MFD 25V +30/-10% ALU	1	C904
33	33		10-21480-06	0.22	MFD 250V +/- 5% POLYP	1	C611
34	34		10-24263-04	390	PFD 2000V +/-10% Y5P	1	C617
35	35		10-24422-01	220	MFD 35V +/-20% ALU	1	C513
36	36		10-26456-01	2200	PFD 100V 1% POLYPROP	1	C608
37	37		10-26457-02	0.015	MFD 1000V +/-5% POLYPR	1	C633
38	38		10-26457-03	2000	PFD 1500V +/-10% POLYP	1	C814
39	39		10-26577-01	2200	MFD 10V +/-20% ALU	1	C926
40	40		10-26578-01	330	MFD 25V +/-20% ALU	4	C803,C812,C905,C909
41	41		10-26588-01	1000	PFD 50V +/- 5% MYLAR	1	C806
42	42		10-26608-01	4700	MFD 10V +/-20% ALU	3	C906-C908
43	43		10-26646-01	0.10	MFD 250V +/-10% MYLAR	1	C618
44	44		10-26654-01	0.010	MFD 100V +/- 5% MYLAR	2	C605,C933
45	45		10-26655-01	0.10	MFD 100V +/- 5% MYLAR	1	C607
46	46		10-26938-01	2200	MFD 16V +/-20% ALUM	1	C512
47	47		10-26959-01	2200	PFD 100V +/-5% POLYPR	2	C509,C807
48	48		10-27012-01	680	MFD 250V +/-20% ALU	1	C801
49	49		10-27182-01	0.10	MFD 250V +/- 5% MET.	1	C629
50	50		10-27183-01	680	PFD 1000V +/-10% POLYP	2	C815,C816
51	51		10-27186-01	7500	PFD 1500V +/- 2% POLYP	1	C616
52	52		10-27189-01	0.39	MFD 250V +/- 5% POLYP	1	C612
53	53		10-27202-01	330	MFD 160V +/-20% ALUM	1	C901
54	54		10-27203-01	47	MFD 160V +/-20% ALU	2	C625,C935
55	55		10-27211-01	4-7	MFD 160V +/-20% ALU	1	C610
56	56		10-27656-01	0.022	MFD 100V +/- 5% MET.	1	C606
57	57		10-27657-01	680	MFD 400V +/-20% ALU	1	C802
58	58		10-27901-01	470	MFD 25V +/-20% ALU	1	C817
59	59		11-05796-00	PIV= 400 IO= 1.00A	1N4004 DO-41	5	D501,D805,D806,D812,D840
60	60		11-05871-00	VZ= 5.15 1% 250 MW		1	D905
61	61		11-09443-00	VZ= 5.1 5% 50 W	1N5231B	2	D641,D907
62	62		11-10968-00	SCR PIV= 100 IO= .80A	2N5062	1	Q801
63	63		11-12594-02	PIV= 600 IO= 3.00A		1	D901
64	64		11-12595-01	PIV= 200 IO= 1.00A	AXIAL	6	D640,D802,D810,D811,D904,D906
65	65		11-12595-02	PIV= 600 IO= 1.00A	AXIAL	5	D602-D604,D642,D900
66	66		11-15112-00	RECT,ULTRA FAST PIV= 800 IO= 1.0		2	D605,D606
67	67		11-16475-00	PIV= 75 - 4NS	1N4148	13	D643,D644,D647,D648,D803,D804, CONT D808,D809,D908-D910,D912,D913
68	68		11-20828-01	PIV=1000 IO= 1.50A		1	D645
69	69		11-20829-01	PIV=1000 IO= 3.00A		1	D601
70	70		11-24037-01	VZ= 36.0 5% 400 MW	1N974B DO-35	8	D111-D118
71	71		11-24210-01	SCHOTTKY PIV= 45 IO=15.00A	T022	1	D903
72	72		11-26397-01	PIV=100 IO=3.0 A	150NS	1	D902
73	73		11-26544-01	RECT. ASSY PIV= 600 IO=4.0 A		1	D801
74	74		11-26743-01	TRANS SUPP 600W 10V +/-		4	D101,D102,D106,D107
75	75		11-26743-02	TRANS SUPP 600W 22V +/-		6	D103-D105,D108-D110
76	76		11-26939-01	PIV= 800 IO= 2.0 A	RG2K D0204	1	D807
77	77		12-10929-02	FUSE PICO 1.0 A	125V AXIAL LEA	1	F901
78	78		12-13071-06	INSULATOR,RUBBER SILICONE		2	
79	79		12-13071-21	INSULATOR,RUBBER,THERMAL		2	
80	80		12-15228-00	HEAT SINKS,T0-220	01.25X0.87	1	H901

D	I	G	I	T	A	L	TITLE	SECTION A	OF A	SIZE	CODE	DOCUMENT NUMBER	REV
							POWER SUPPLY/MONITOR MODULE			K	PL	5416961-0-DBP	A

LINE	ITEM	TOP DOCUMENT	PART NUMBER	MIN REV	DESCRIPTION	QTY	PER VAR/REV	REFERENCE DESIGNATORS
						01		
						A1		
81	81		12-15323-00		PCB HEADER 06PIN(1X06) .100CC STR	1		J601
82	82		12-15323-02		PCB HEADER 02PIN(1X02) .100CC STR	1		J900
83	83		12-17485-01		MATE-N-LOK 03SKT(1X03) .250CC ASS	1		J801
84	84		12-18826-07		CONN,PHONE JACK 04POS	1		J104
85	85		12-21439-01		PCB,HEADER 03PIN(1X03) .200CC STR	1		J802
86	86		12-23433-02		CONN,LAN JACK 06 POS	3		J101-J103
87	87		12-24261-01		PCB HEADER PIN .1250D TIN	8		J805-J812
88	88		12-26611-02		HEAT SINK	1		H805
89	89		12-26611-03		HEAT SINK	1		H602
90	90		12-27199-01		SW,SLIDE 2P2POS .2A	1		S500
91	91		12-27210-01		HEAT SINK	1		H903
92	92		12-27276-01		HEAT SINK FOR TDA1170DS	1		H501
93	93		12-27281-02		HEATSINK	1		H600
94	94		12-27324-01		PCB HEADER PIN TIN	4		TP600,TP601,TP900,TP901
95	95		12-27734-01		PCB HEADER 04PIN(1X04) STR	1		J600
96	96		12-27759-01		HEAT SINK	1		H902
97	97		12-27779-01		RELAY,MINI,SPDT,1FORMC,12VDC COI	1		K801
98	98		13-00168-00	10.0	.50 W 5.0 % CF	1		R523
99	99		13-00197-00	33.0	.25 W 5.0 % CF	1		R824
100	100		13-00202-00	47.0	.25 W 5.0 % CF	1		R818
101	101		13-00229-00	100.0	.25 W 5.0 % CF	3		R822,R902,R946
102	102		13-00247-00	120.0	.25 W 5.0 % CF	1		R603
103	103		13-00274-00	220.0	.50 W 5.0 % CF	1		R517
104	104		13-00296-00	330.0	.50 W 5.0 % CF	2		R623,R624
105	105		13-00316-00	470.0	.25 W 5.0 % CF	1		R917
106	106		13-00338-00	560.0	.50 W 5.0 % CF	1		R937
107	107		13-00365-00	1.0 K	.25 W 5.0 % CF	10		R814,R823,R832,R833,R908,R911, CONT R913,R918,R923,R926
108	108		13-00385-00	1.20 K	.50 W 5.0 % CF	1		R611
109	109		13-00391-00	1.50 K	.25 W 5.0 % CF	2		R600,R629
110	110		13-00417-00	2.20 K	.25 W 5.0 % CF	4		R520,R628,R636,R647
111	111		13-00444-00	3.90 K	.25 W 5.0 % CF	2		R515,R948
112	112		13-00447-00	4.70 K	.25 W 5.0 % CF	4		R500,R502,R658,R949
113	113		13-00479-00	10.0 K	.25 W 5.0 % CF	12		R512,R637,R642,R645,R648,R654, CONT R815,R842-R844,R916,R933
114	114		13-00496-00	15.0 K	.25 W 5.0 % CF	1		R816
115	115		13-01320-00	1.20 K	.25 W 5.0 % CF	2		R501,R649
116	116		13-01327-00	68.0 K	.25 W 5.0 % CF	1		R639
117	117		13-01423-00	6.80 K	.25 W 5.0 % CF	1		R657
118	118		13-01424-00	680.0	.25 W 5.0 % CF	2		R914,R935
119	119		13-01477-00	82.0	.25 W 5.0 % CF	1		R821
120	120		13-01890-00	560.0	.25 W 5.0 % CF	3		R910,R934,R938
121	121		13-01972-00	270.0	.25 W 5.0 % CF	1		R945
122	122		13-02091-00	330.0 K	.25 W 5.0 % CF	3		R808,R809,R812
123	123		13-02092-00	220.0 K	.25 W 5.0 % CF	3		R510,R625,R670
124	124		13-02177-00	47.0 K	.25 W 5.0 % CF	2		R507,R811
125	125		13-02222-00	221.0	.50 W 1.0 % RN60C-F 5	1		R528
126	126		13-02311-00	3.32 K	.25 W 1.0 % RN55D-F 10	1		R526
127	127		13-02388-00	2.0 K	.25 W 5.0 % CF	2		R606,R607
128	128		13-02395-00	56.0 K	.25 W 5.0 % CF	1		R508

LINE	ITEM	TOP DOCUMENT	PART NUMBER	MIN REV	DESCRIPTION	QTY	PER VAR/REV	REFERENCE DESIGNATORS
						01		
						A1		
129	129		13-02396-00	150.0	K .25 W 5.0 % CF	1		R602
130	130		13-02398-00	470.0	K .25 W 5.0 % CF	5		R841, R930-R932, R941
131	131		13-02465-00	18.0	K .25 W 5.0 % CF	2		R671 R903
132	132		13-02466-00	100.0	K .25 W 5.0 % CF	2		R620, R915
133	133		13-02514-00	39.0	K .25 W 5.0 % CF	1		R635
134	134		13-02602-00	56.0	K .25 W 5.0 % CF	1		R820
135	135		13-03179-00	8.20	K .25 W 5.0 % CF	2		R601, R656
136	138		13-03187-00	820.0	K .25 W 5.0 % CF	1		R506
137	137		13-03312-00	10.0	K .25 W 1.0 % RN55D-F10	1		R942
138	138		13-04840-00	62.0	K .25 W 5.0 % CF	1		R638
139	139		13-04855-00	9.09	K .25 W 1.0 % RN55D-F10	1		R940
140	140		13-04856-00	4.64	K .25 W 1.0 % RN55D-F10	1		R925
141	141		13-05131-00	274.0	K .25 W 1.0 % RN55D-F10	1		R503
142	142		13-05346-00	27.0	K .25 W 5.0 % CF	4		R608, R626, R944, R947
143	143		13-05423-00	226.0	K .25 W 1.0 % RN55D-F10	1		R522
144	144		13-09421-00	2.0	.50 W 5.0 % CF	1		R662
145	145		13-09595-00	1.0	M .25 W 5.0 % CF	2		R640, R929
146	146		13-10867-00	680.0	K .25 W 5.0 % CF	3		R831, R921, R939
147	147		13-11604-00	.20	3.0 W 3.0 % WW	1		R825
148	148		13-11996-02		VARISTOR 275VAC VOLT TRANS SUP	1		R801
149	149		13-12618-00	16.90	K .25 W 1.0 % RN55D-F10	1		R605
150	150		13-12932-00	36.0	K .25 W 5.0 % CF	1		R514
151	151		13-13349-00	33.0	K .25 W 5.0 % CF	1		R630
152	152		13-13476-00	51.10	K .25 W 1.0 % RN55D-F10	2		R813, R912
153	153		13-13752-00	15.0	K .25 W 1.0 % RN55D-F10	1		R524
154	154		13-14270-05		THERMISTOR NTC 7.0 15%	2		R802, R803
155	155		13-15096-00	1.87	K .25 W 1.0 % RN55D-F10	1		R906
156	156		13-15764-00	1.0	K 5.0 W 3.0 % WW	1		R612
157	157		13-16522-01	100.0	K .25 W20.0 % POT	2		R505, R509
158	158		13-16522-08	5.0	K .25 W20.0 % POT	2		R518, R604
159	159		13-16522-09	100.0	.25 W20.0 % POT	1		R609
160	160		13-16522-11	30.0	K .25 W20.0 % POT	1		R521
161	161		13-16845-00	3.30	.50 W 5.0 % CF	2		R511, R830
162	162		13-17917-00	500.0	13.0 W 5.0 % WW	1		R827
163	163		13-18341-43	8.45	K .25 W 1.0 % RN55D-F10	1		R936
164	164		13-18546-02	43.20	K .25 W 1.0 % RN55D-F10	1		R943
165	165		13-19019-00	105.0	K .25 W 1.0 % RN55D-F10	1		R904
166	166		13-19325-01	392.0	.25 W 1.0 % RN55D-F10	1		R527
167	167		13-19470-33	1.50	K 1.0 W 5.0 % M.OXIDE	1		R610
168	168		13-19470-48	33.0	K 1.0 W 5.0 % M.OXIDE	1		R901
169	169		13-19470-51	68.0	K 1.0 W 5.0 % M.OXIDE	1		R804
170	170		13-19471-03	20.0	2.0 W 5.0 % M.OXIDE	1		R919
171	171		13-19471-36	5.60	K 2.0 W 5.0 % M.OXIDE	1		R907
172	172		13-19932-01	820.0	K .50 W 5.0 % CF	1		R652
173	173		13-20300-08	500.0	0.5 W20.0% POT	1		R905
174	174		13-20415-03	249.0	K .25 W 1.0 % RN55D-F10	1		R504
175	175		13-20607-01	1.0	.50 W 5.0 % CF	1		R513
176	176		13-20608-01	3.30	.25 W 5.0 % CF	1		R828
177	177		13-20711-01	330.0	K .50 W 5.0 % CF	1		R651
178	178		13-22400-01	220.0	3.0 W 5.0 % M.OXIDE	1		R826

D	I	G	I	T	A	L	TITLE	SECTION A	OF A	SIZE	CODE	DOCUMENT NUMBER	REV
							POWER SUPPLY/MONITOR MODULE			K	PL	5416961-0-DBP	A

LINE	ITEM	TOP DOCUMENT	PART NUMBER	MIN REV	DESCRIPTION	QTY	PER VAR/REV	REFERENCE DESIGNATORS
						01		
						A1		
179	179		13-27013-01	5.1	3.0 W 5.0% M.OXIDE	1		R614
180	180		13-27013-02	10.0	3.0 W 5.0% M.OXIDE	1		R819
181	181		13-27013-04	22.0	K 3.0 W 5.0% M.OXIDE	2		R806,R807
182	182		13-27013-09	6.2	5.0 W 5.0% M.OXIDE	1		R617
183	183		13-27013-11	68.0	KK 3.0 W 5.0% M.OXIDE	1		R805
184	184		13-27014-01	2.2	.5 W 5.0% FUSE	5		R616,R618,R619,R627,R641
185	185		13-27065-01		THERMISTOR PTC 18 20%	2		R800,R829
186	186		13-27112-01	1.0	M 20.0% POT	1		R653
187	187		13-27187-03	10.0	K .30 W 20.0% POT P	2		R634,R664
188	188		13-27237-01	200	2.0W +/-20% POT	1		R650
189	189		13-27627-01	0050	.50 W 5.0% CF	1		R663
190	190		15-09524-00	2N 3904	NPN 310MW SI 40 40 M	5		Q501,Q603,Q606,Q840,Q902
191	191		15-09525-00	2N 3906	PNP 310MW SI 40100 Y	4		Q604,Q607,Q842,Q903
192	192		15-10705-00	XA 05	NPN 500MW SI 60 50 P	1		Q841
193	193		15-10706-00	XA 55	PNP 500MW SI 60 50 P	1		Q802
194	194		15-12976-00	MPSA43	NPN 625MW SI200 50	1		Q605
195	195		15-16490-00	MPSU05	NPN 10W SI 2A	1		Q803
196	196		15-20089-01	MDS 20	NPN 2W 250V 1.5A	1		Q601
197	197		15-26543-01	TIP 32	PNP 40V 3A T0220	1		Q804
198	198		15-26616-01	TIP 47	NPN 40W 1A 250V	1		Q901
199	199		15-27113-01	2N6109	PNP 40W 7A 60V 10MHZ T	1		Q502
200	200		15-27289-01	MJE9450	PNP 15N 4A 45V CASE77	1		Q504
201	201		15-27290-01	MJE9400	NPN 15N 4A 45V CASE77	1		Q503
202	202		15-27592-01	2SC3642	NPN POWER TRANSISITOR	1		Q602
203	203		15-27596-01	2SC3552	NPN SILICON TRANSISTOR	1		Q805
204	204		16-09756-00		2.2 UH 10% 760MA #DD2.20	18		L101-L112,L114,L117-L121
205	205		16-18238-02		BEAD,FERRITE .1380DX.330LG	2		L904,L905
206	206		16-26741-01		XFMR,PULSE	1		T801
207	207		16-26944-01		LINE DRIVER	1		T601
208	208		16-26945-01		PINCUSHION	1		T603
209	209		16-26946-01		XFMR,FLYBACK	1		T602
210	210		16-26947-01		CONTROLLER,MAGNETIC	1		T901
211	211		16-27238-01		CHOKE,800UH 20%	1		L604
212	212		16-27454-01		XFMR,SWITCH MODE	1		T802
213	213		16-27578-01		COIL,HORIZONTAL LINEARITY	1		L603
214	214		16-27580-01		CHOKE,22UH +/-10%	3		L801,L901,L906
215	215		16-27659-01		CHOKE,4.5UH +/-10%	1		L903
216	216		16-27683-01		CHOKE 9UH +/-10%	1		L902
217	217		16-27684-01		CHOKE 1.25 +/-10%	1		L802
218	218		16-27702-01		COIL,WIDTH	1		L602
219	219		17-01408-03		CABLE ASSY FLAT,40(2X20)	1		P101
220	220		19-12108-01	LM	339ANVOLT. CMPRTR,QUAD	1		E904
221	221		19-12536-00	DEC	7805 VOLT REG,FIX +5V	1		E600
222	222		19-17908-00	LM	358N OP AMP DUAL LOW POWE	1		E903
223	223		19-19235-00	TDA	1170 AMP,VERTICAL DEFLECT	1		E501
224	224		19-21337-01		OPTOISLTR,XSTR,CTR=50%@IF10MA VC	2		E802,E803
225	225		19-21463-01		1391 TV HORIZ. PROCESSOR	1		E601
226	226		19-22024-02		PREC. VOLT REF, 36V	1		E901
227	227		19-23626-01		PWM OFF-LINE CURRENT	1		E801
228	228		19-27847-01		FIX VOLTAGE REGULATO	1		E902

D	I	G	I	T	A	L	TITLE	SECTION A	OF	A	SIZE	CODE	DOCUMENT NUMBER	REV
							POWER SUPPLY/MONITOR MODULE				K	PL	5416961-0-DBP	A

AUTOMATED BY VAXKPL (V1.3)

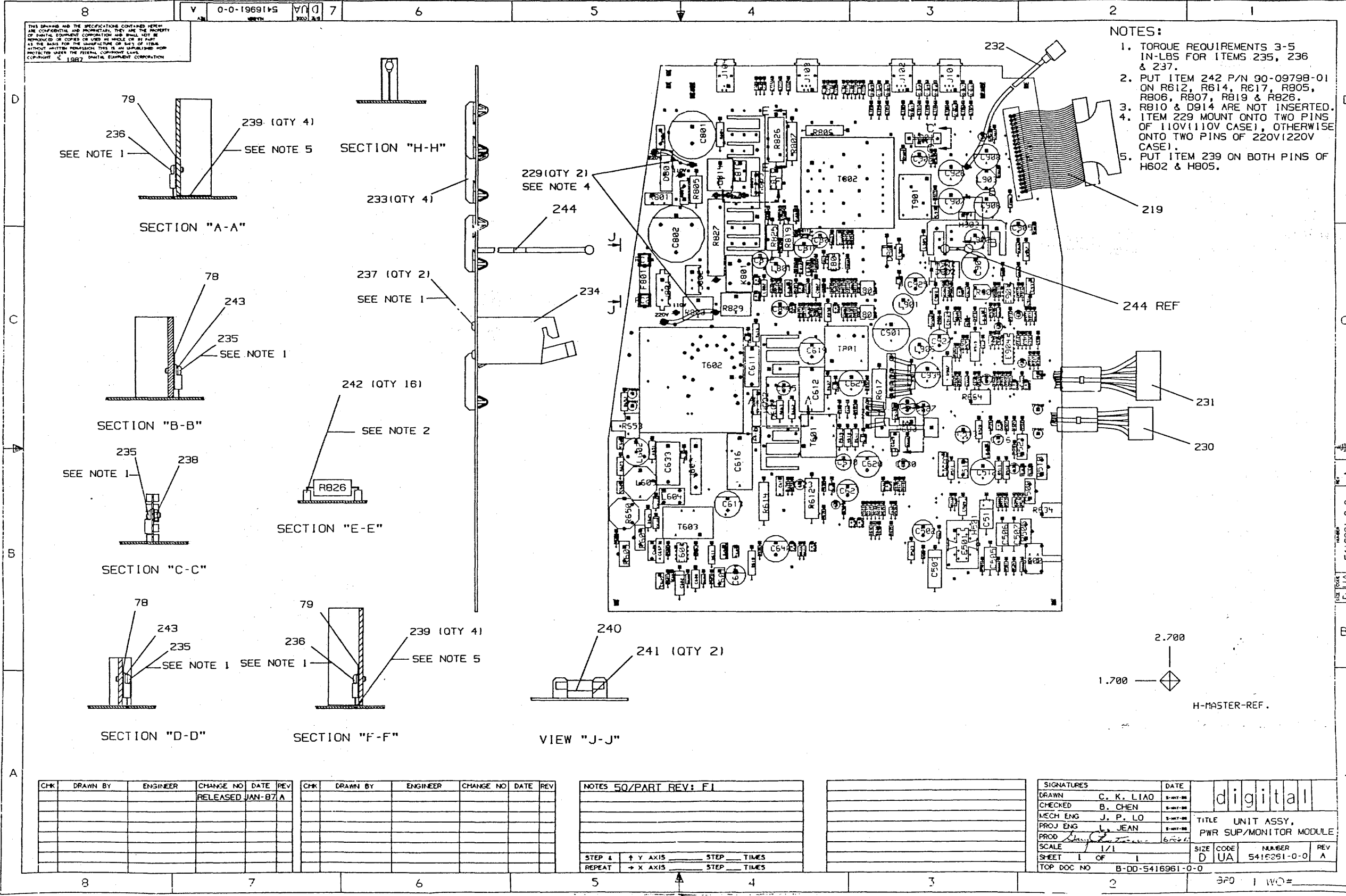
P A R T S L I S T

SHEET A6 OF A6

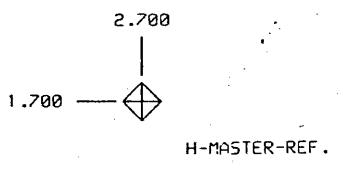
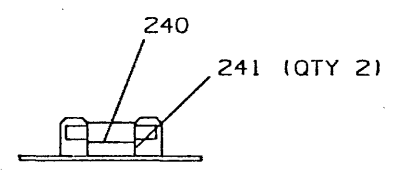
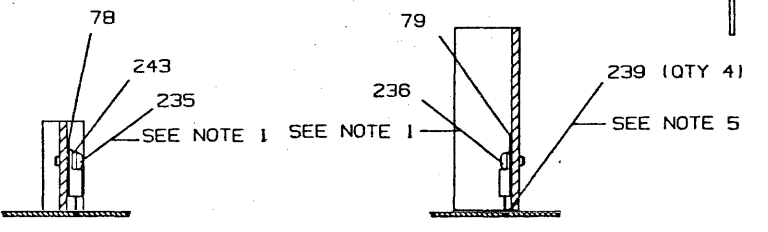
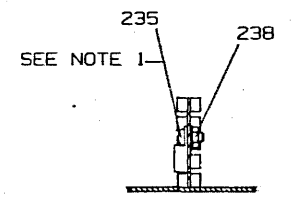
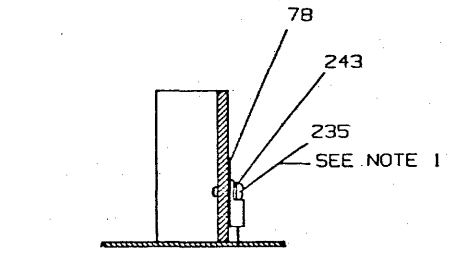
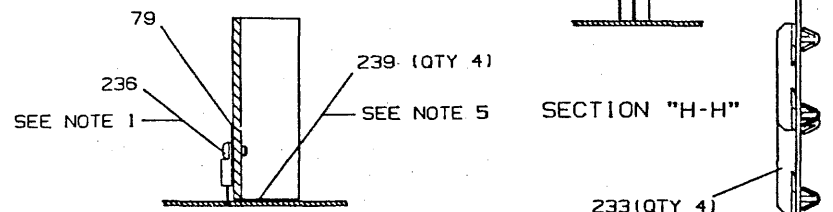
LINE	ITEM	TOP DOCUMENT	PART NUMBER	MIN REV	DESCRIPTION	QTY PER VAR/REV	REFERENCE DESIGNATORS
229	229	D-IA-7022361-0-0	70-22361-0C	A	JUMPER VOLTAGE SELECTOR	2	P805,P807
230	230	B-IA-7022639-0-DBU	70-22639-01	A	CABLE,ARC PROTECTION	1	P702
231	231	B-IA-7022640-0-DBU	70-22640-01	A	CABLE VIDEO	1	P204
232	232	B-IA-7023276-0-DBU	70-23276-04	A	GROUNDING WIRE	1	P806
233	233	C-MD-7431615-0-DBU	74-31615-01	A	SPACER,PCB	4	
234	234	D-MD-7434698-0-DBU	74-34698-01	A	BRACKET,P/M BOARD	1	
235	235		90-06010-01		SCREW,MACH PAN PHIL 4-	3	
236	236		90-06013-01		SCREW,MACH PAN PHIL 4-	2	
237	237		90-06020-01		SCREW,MACH PAN PHIL 6-	2	
238	238		90-06557-00		NUT,HEX EXT TOOTH LCKWSHR 4-40	1	
239	239		90-06706-00		WASHER,FLAT NYLON	4	
240	240		90-07219-02		FUSE 3AG 4.0 A 250V NORM-BLOW	1	F801
241	241		90-09513-03		FUSECLIP	2	
242	242		90-09798-01		SPACER,CLEAR HOLE RND CERAM .07	16	
243	243		90-10057-00		WASHER,SHOULDER INSULATG PPS	2	
244	244		90-10797-01		STANDOFF,TWIST	1	

D	I	G	I	T	A	L	TITLE	SECTION A	OF A	SIZE	CODE	DOCUMENT NUMBER	REV
							POWER SUPPLY/MONITOR MODULE			K	PL	5416961-0-DBP	A

THIS DRAWING AND THE SPECIFICATIONS CONTAINED HEREIN ARE CONFIDENTIAL AND PROPRIETARY. THEY ARE THE PROPERTY OF DIGITAL EQUIPMENT CORPORATION AND SHALL NOT BE REPRODUCED OR COPIED OR USED IN WHOLE OR IN PART AS THE BASIS FOR THE MANUFACTURE OR SALE OF ITEMS WITHOUT WRITTEN PERMISSION. THIS IS AN UNPUBLISHED WORK PROTECTED UNDER THE FEDERAL COPYRIGHT LAWS. COPYRIGHT © 1987 DIGITAL EQUIPMENT CORPORATION



- NOTES:
1. TORQUE REQUIREMENTS 3-5 IN-LBS FOR ITEMS 235, 236 & 237.
 2. PUT ITEM 242 P/N 90-09798-01 ON R612, R614, R617, R605, R806, R807, R819 & R826.
 3. R810 & D914 ARE NOT INSERTED.
 4. ITEM 229 MOUNT ON TWO PINS OF 110V(110V CASE), OTHERWISE ON TWO PINS OF 220V(220V CASE).
 5. PUT ITEM 239 ON BOTH PINS OF H602 & H805.



CHK	DRAWN BY	ENGINEER	CHANGE NO	DATE	REV
			RELEASED	JAN-87	A

CHK	DRAWN BY	ENGINEER	CHANGE NO	DATE	REV

NOTES 50/PART REV: F.1

STEP & REPEAT	↑ Y AXIS	→ X AXIS	STEP	TIMES

SIGNATURES	DATE
DRAWN C. K. LIAO	8-MAY-88
CHECKED B. CHEN	8-MAY-88
MECH ENG J. P. LO	8-MAY-88
PROJ ENG JEAN	8-MAY-88

digital			
TITLE UNIT ASSY, PWR SUP/MONITOR MODULE			
SCALE 1/1	SIZE D	CODE UA	NUMBER 5416961-0-0
SHEET 1 OF 1	REV A	TOP DOC NO B-DD-5416961-0-0	

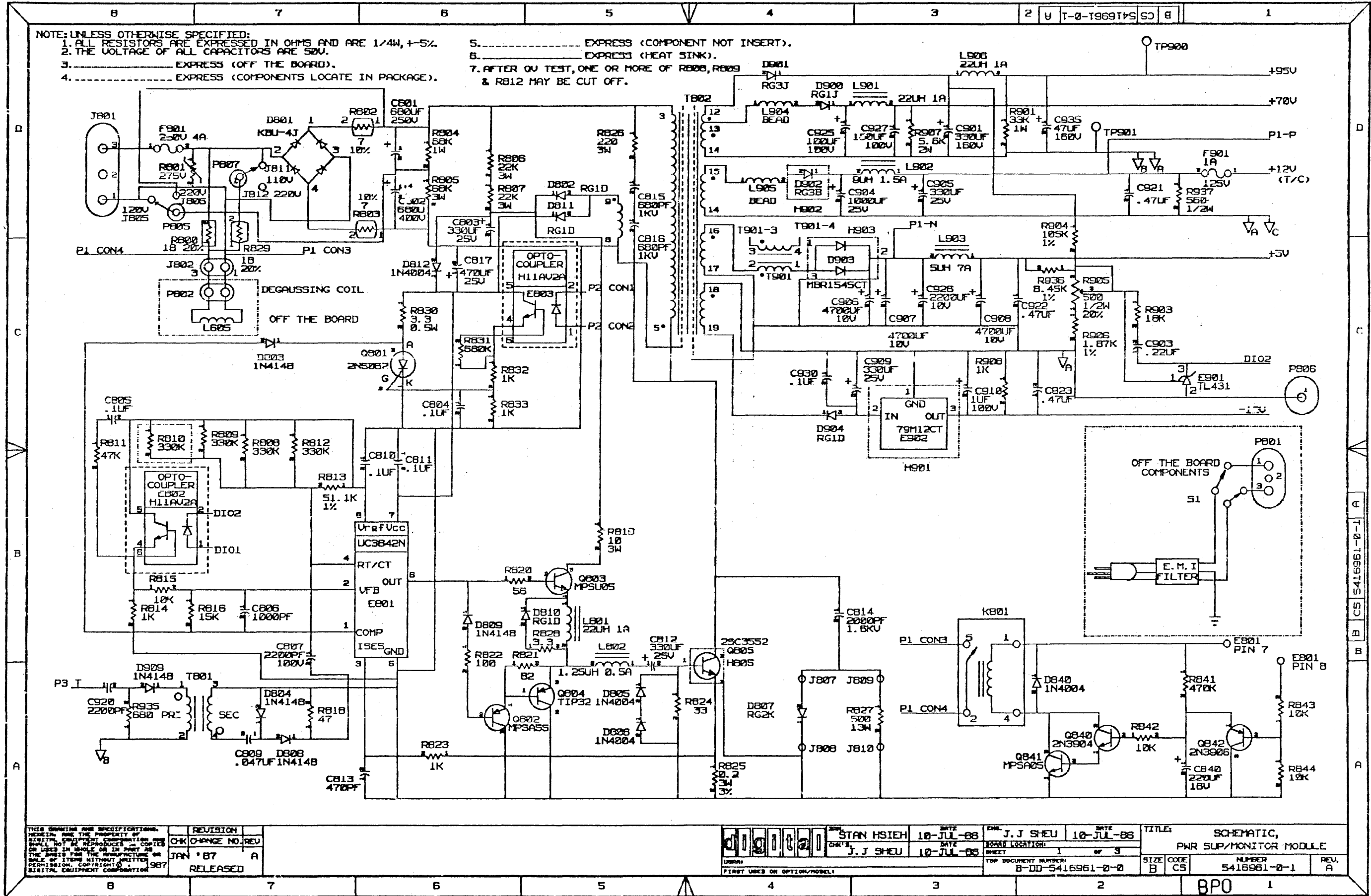
5416961-0-0

390 1 WQ=

NOTE: UNLESS OTHERWISE SPECIFIED:

1. ALL RESISTORS ARE EXPRESSED IN OHMS AND ARE 1/4W, ±5%.
2. THE VOLTAGE OF ALL CAPACITORS ARE 50V.
3. _____ EXPRESS (OFF THE BOARD).
4. _____ EXPRESS (COMPONENTS LOCATE IN PACKAGE).

5. _____ EXPRESS (COMPONENT NOT INSERT).
6. _____ EXPRESS (HEAT SINK).
7. AFTER QV TEST, ONE OR MORE OF R806, R809 & R812 MAY BE CUT OFF.



THIS DRAWING AND SPECIFICATIONS ARE THE PROPERTY OF DIGITAL EQUIPMENT CORPORATION AND SHALL NOT BE REPRODUCED OR COPIED OR USED IN WHOLE OR IN PART AS THE BASIS FOR THE MANUFACTURE OR SALE OF ITEMS WITHOUT WRITTEN PERMISSION. COPYRIGHT © 1987 DIGITAL EQUIPMENT CORPORATION

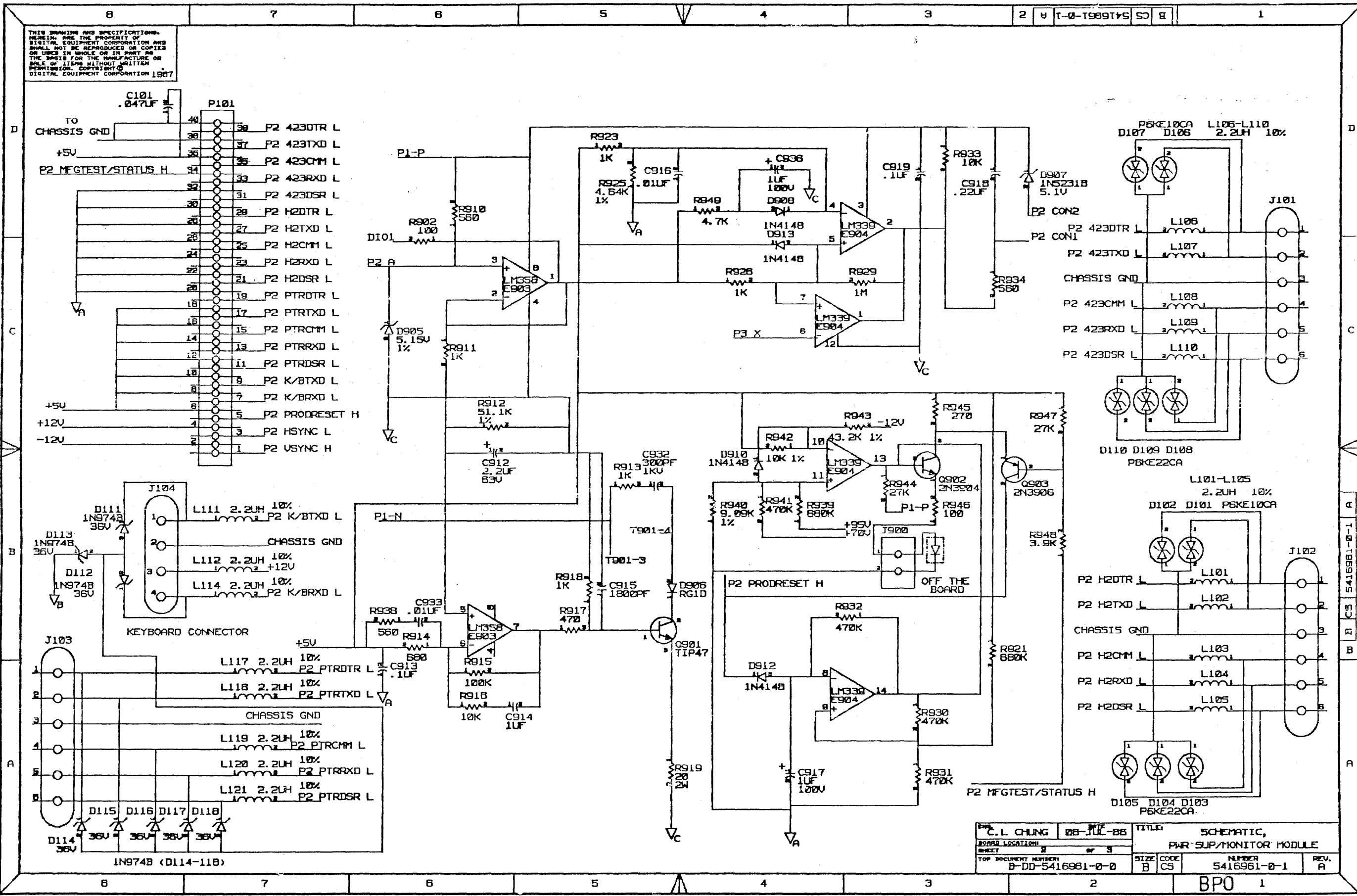
REVISION	DATE
CHG CHANGE NO. REV	
JAN '87 A	
RELEASED	

DESIGNER	DATE	CHK'D	DATE
STAN HSIEH	10-JUL-88	J. J. SHEU	10-JUL-88
J. J. SHEU	10-JUL-88		

TITLE	SIZE	CODE	NUMBER	REV.
SCHEMATIC, PWR SUP/MONITOR MODULE	B	CS	5416961-0-1	A

BPO

THIS DRAWING AND SPECIFICATIONS HEREIN ARE THE PROPERTY OF DIGITAL EQUIPMENT CORPORATION AND SHALL NOT BE REPRODUCED OR COPIED OR USED IN WHOLE OR IN PART AS THE BASIS FOR THE MANUFACTURE OR SALE OF ITEMS WITHOUT WRITTEN PERMISSION. COPYRIGHT © DIGITAL EQUIPMENT CORPORATION 1987



40	P2 423DTR L
39	P2 423TXD L
38	P2 423CMM L
37	P2 423RXD L
36	P2 423DSR L
35	P2 H2DTR L
34	P2 H2TXD L
33	P2 H2CMM L
32	P2 H2RXD L
31	P2 H2DSR L
30	P2 PTRDTR L
29	P2 PTRTXD L
28	P2 PTRCMM L
27	P2 PTRRXD L
26	P2 PTRDSR L
25	P2 K/BTXD L
24	P2 K/BRXD L
23	P2 PRODRESET H
22	P2 HSYNC L
21	P2 USYNC H

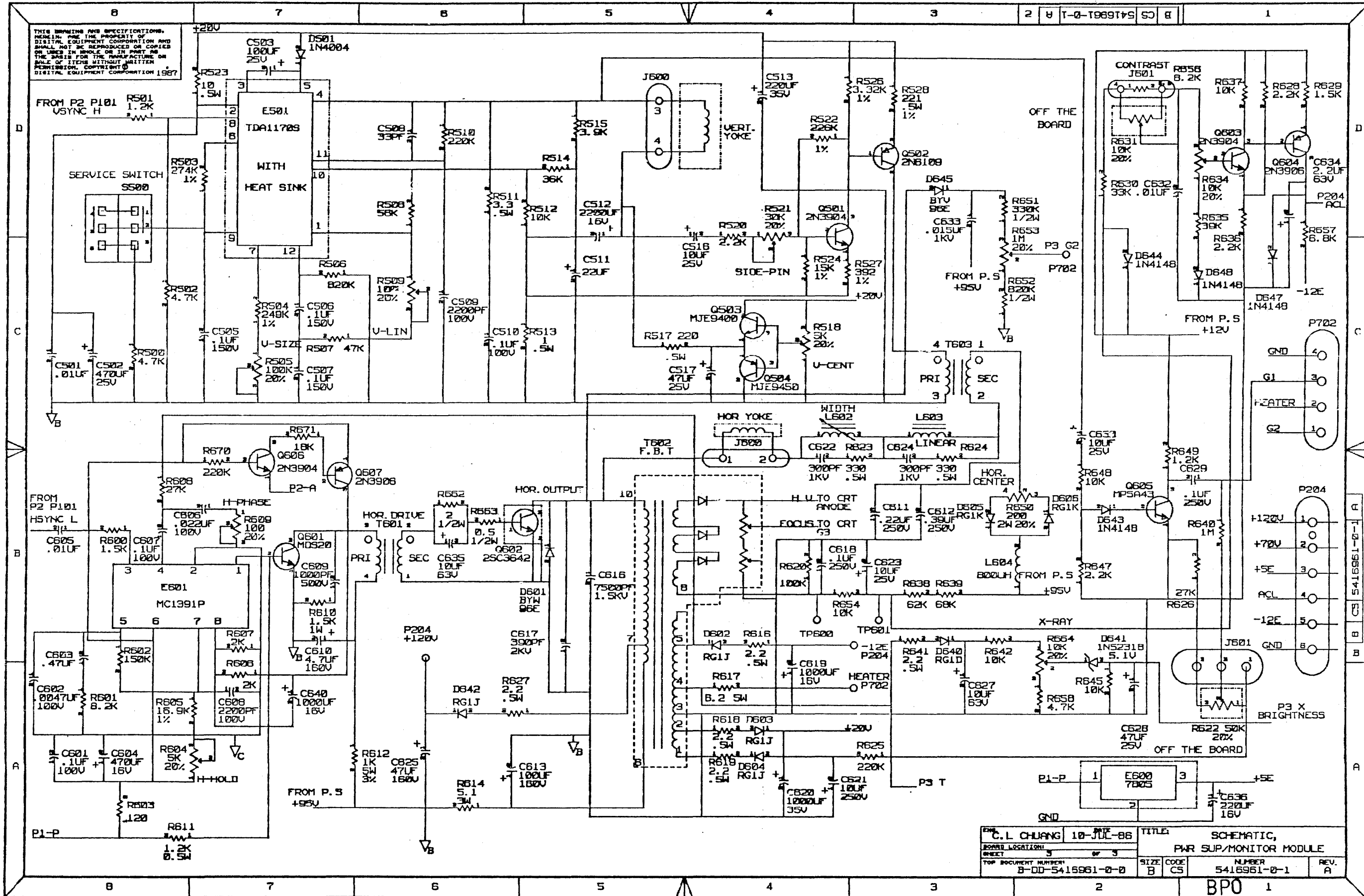
1	L111 2.2UH 10% P2 K/BTXD L
2	CHASSIS GND
3	L112 2.2UH 10% +12V
4	L114 2.2UH 10% P2 K/BRXD L

1	L117 2.2UH 10% P2 PTRDTR L
2	L118 2.2UH 10% P2 PTRTXD L
3	CHASSIS GND
4	L119 2.2UH 10% P2 PTRCMM L
5	L120 2.2UH 10% P2 PTRRXD L
6	L121 2.2UH 10% P2 PTRDSR L

D114 36V
D115 36V
D116 36V
D117 36V
D118 36V
1N974B (D114-118)

DESIGNED BY	C. L. CHUNG	DATE	08-JUL-85	TITLE	SCHEMATIC, PWR SUP/MONITOR MODULE			
ISSUED	2	OF	5	SIZE	B	CODE	CS	
TOP DOCUMENT NUMBER	B-DD-5416961-0-0			NUMBER	5416961-0-1		REV.	A

BPO



THIS DRAWING AND SPECIFICATIONS, HEREIN, ARE THE PROPERTY OF DIGITAL EQUIPMENT CORPORATION AND SHALL NOT BE REPRODUCED OR COPIED OR USED IN WHOLE OR IN PART AS THE BASIS FOR THE MANUFACTURE OR SALE OF ITEMS WITHOUT WRITTEN PERMISSION. COPYRIGHT © DIGITAL EQUIPMENT CORPORATION 1987

C. L. CHUANG 10-JUL-86		TITLE: SCHEMATIC, PWR SUP/MONITOR MODULE	
DESIGNER	DATE	SIZE	CODE
TOP DOCUMENT NUMBER: B-DD-5415961-0-0	REV. A	B	CS
NUMBER: 5415961-0-1		REV. A	

BPO 1

DRAWING NO.	NO. OF SHTS.	PART NO.	DESCRIPTION	REVISIONS																
				1	2	3	4	5	6	7	8	9	10	11	12					
		54-17106-01	CRT ARC PROTECTION MODULE	A1																
D-UA-5417106-0-0	1		UNIT ASSY	A																
B-CS-5417106-0-1	1		SCHEMATIC	A																
K-PL-5417106-0-DBP	1		PARTS LIST	A																
K-PC-5417106-0-DBV	1		P.C. DESIGN DATA BASE	A																
K-CS-5417106-0-DBX	1		VALID DATA BASE	A																
		50-17105-01	ETCH CIRCUIT BOARD	C1																
B-DD-5017105-0-0	1		DRAWING DIRECTORY	A																

NOTES:

REVISION HISTORY	
DATE	ECO NO. / REV.
JAN '87	RELEASED A

THIS DRAWING AND THE SPECIFICATIONS CONTAINED HEREIN ARE CONFIDENTIAL AND PROPRIETARY. THEY ARE THE PROPERTY OF DIGITAL EQUIPMENT CORPORATION AND SHALL NOT BE REPRODUCED OR COPIED OR USED IN WHOLE OR IN PART AS THE BASIS FOR THE MANUFACTURE OR SALE OF ITEMS WITHOUT WRITTEN PERMISSION. THIS IS AN UNPUBLISHED WORK PROTECTED UNDER THE FEDERAL COPYRIGHT LAWS.

1987



DRN.	F. LIU	DATE	5-MAY-88
CHK'D	B. CHEN	DATE	5-MAY-88
DES. ENG.	C. L. CHUANG	DATE	5-MAY-88
RESP. ENG.	L. JEAN	DATE	5-MAY-88
MFG. ENG.	<i>Ray Chen</i>	DATE	6 Feb 87

TITLE	DWG DIR, CRT ARC PROTECTION MODULE		
DOCUMENT NUMBER	5417106-0-0		
SIZE	CODE	NUMBER	REV.
B	DD	5417106-0-0	A
SHEET		1 OF 1	

LINE ITEM	TOP DOCUMENT	PART NUMBER	MIN REV	DESCRIPTION	QTY PER VAR/REV	REFERENCE DESIGNATORS
1	1 B-DD-5017105-0-0	50-17105-01	C	CIRCUIT DRILL & ETCH	1	
2	2	10-16570-00		1000 PFD 500V +80/-20% X5S/Z	1	C702
3	3	10-19559-01		0.020MFD 1000V +80/-20% Y5U/Z	1	C701
4	4	10-27658-01		1.0 PFD 1500V +0 /-100%	1	C707
5	5	11-27611-01		DIA SURGE ABSORBER 300V +/-15%	4	D703-D706
6	6	12-15323-00		PCB HEADER 06PIN(1X06).100CC STR	1	J704
7	7	12-26579-01		TERM,FASTON .250TAB	1	J701
8	8	12-26866-01		SKT,CRT	1	J703
9	9	12-27325-03		PCB HEADER 05POS(1X05).156CC STR	1	J702
10	10	13-00364-00		1.0 K .50 W 5.0 % CF	1	R702
11	11	13-20713-01		390.0 K .50 W 5.0 % CF	1	R701
12	12	16-12946-04		6.8 UH 10% Q MIN=52@7.9MHZ	2	L701,L702
13	13 B-IA-7023276-0-DBU	70-23276-02	A	GROUNDING WIRE	1	P703

REVISION HISTORY			KPL MODULE FORMAT		SECTION A OF A	DRN: F. LIU	D I G I T A L			
ENG	ECO NUMBER	REV	SECTION/VARIATION INDEX			DATE: 05-MAY-86				
---	INITIAL	A	[A]	01	[M]	CHK'D: B. CHEN	TITLE PARTS LIST			
			[B]		[N]	DATE: 05-MAY-86	CRT ARC PROTECTION MODULE			
			[C]		[P]	DES.ENG: CL CHUANG				
			[D]		[Q]	DATE: 05-MAY-86	DOCUMENT NUMBER			
			[E]		[R]		SIZE	CODE	NUMBER	REV
			[F]		[S]	RESP.ENG.: L. JEAN	K	PL	5417106-0-DBP	A
			[H]		[T]	DATE: 05-MAY-86	RELEASE DATE: 04-FEB-87			
			[J]		[V]		RELEASE STATUS: RELEASED			
			[K]		[W]	MFG.ENG: G. CHRISTIANSEN				
			[L]		[Y]	DATE: 26-JAN-87				
			BASIC PART NUMBER:		ASSEMBLY NUMBER:	TOP DOCUMENT NUMBER:	FILE NAME:	EDIT #		
			5417106		D-UA-5417106-0-0	B-DD-5417106-0-0	MLA0332A.PLS	27		

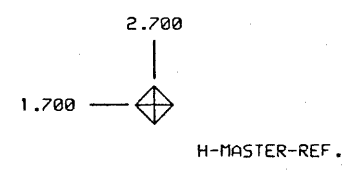
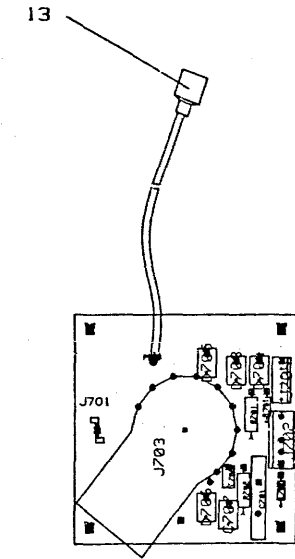
"THIS DRAWING AND THE SPECIFICATIONS CONTAINED HEREIN ARE CONFIDENTIAL AND PROPRIETARY. THEY ARE THE PROPERTY OF DIGITAL EQUIPMENT CORPORATION AND SHALL NOT BE REPRODUCED OR COPIED OR USED IN WHOLE OR IN PART AS THE BASIS FOR THE MANUFACTURE OR SALE OF ITEMS WITHOUT WRITTEN PERMISSION. THIS IS AN UNPUBLISHED WORK PROTECTED UNDER THE FEDERAL COPYRIGHT LAWS."

8 7 6 5 4 3 2 1

THIS DRAWING AND THE SPECIFICATIONS CONTAINED HEREIN ARE CONFIDENTIAL AND PROPRIETARY; THEY ARE THE PROPERTY OF DIGITAL EQUIPMENT CORPORATION AND SHALL NOT BE REPRODUCED OR COPIED OR USED IN WHOLE OR IN PART AS THE BASIS FOR THE MANUFACTURE OR SALE OF ITEMS WITHOUT WRITTEN PERMISSION. THIS IS AN UNCLASSIFIED DOCUMENT UNDER THE FEDERAL GOVERNMENT LAWS.
 COPYRIGHT © 1987 DIGITAL EQUIPMENT CORPORATION

D
C
B
A

D
C
B
A



CHK	DRAWN BY	ENGINEER	CHANGE NO	DATE	REV
			RELEASED	JAN-87	A

CHK	DRAWN BY	ENGINEER	CHANGE NO	DATE	REV

NOTES 50/PART REV1 C1			
STEP 4	↑ Y AXIS	STEP	TIMES
REPEAT	→ X AXIS	STEP	TIMES

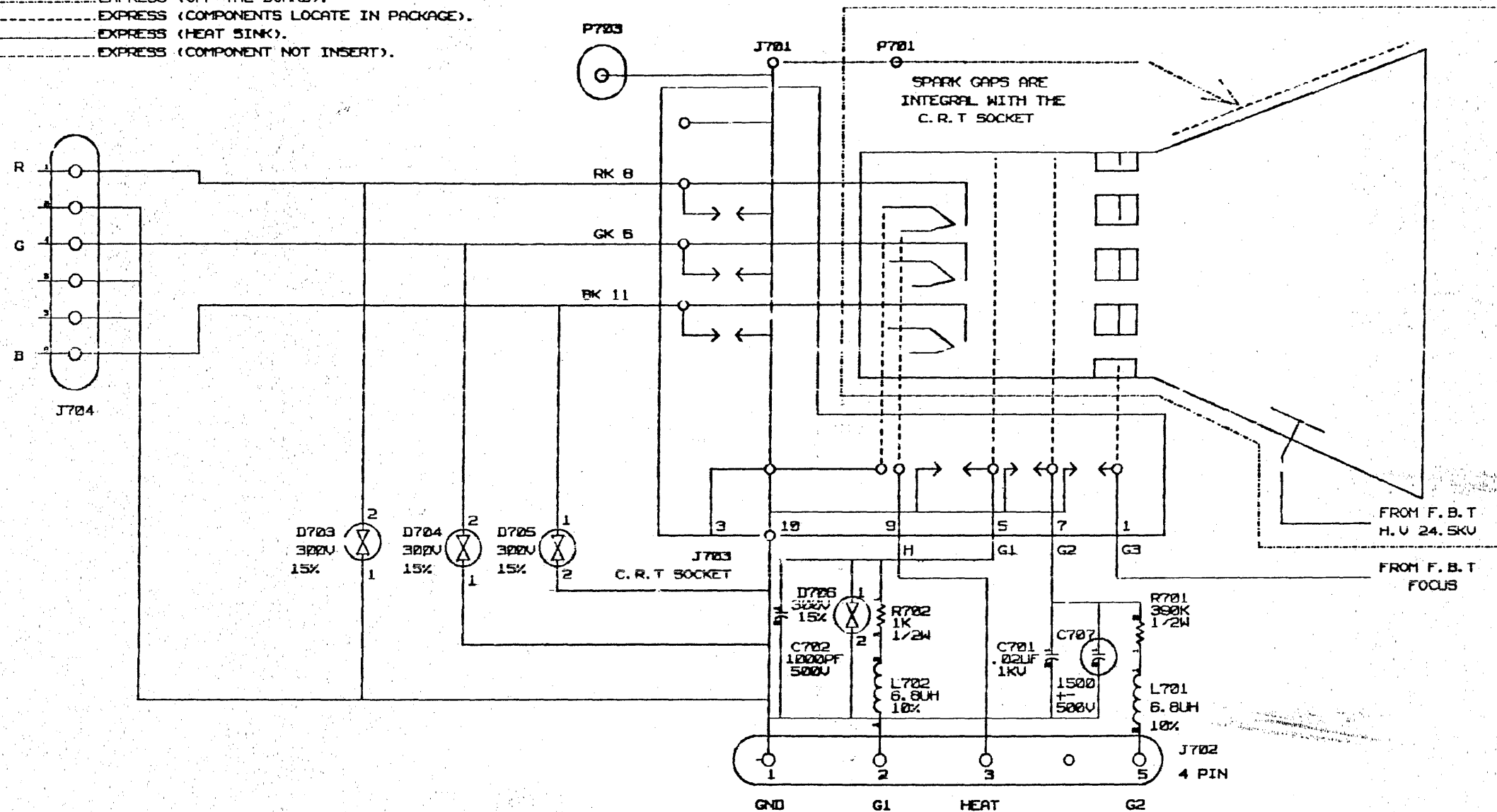
SIGNATURES		DATE	digital	
DRAWN	N. LEE	8-MAY-88		
CHECKED	B. CHEN	8-MAY-88		
MECH ENG	J. P. LO	8-MAY-88		
PROJ ENG	L. JEAN	8-MAY-88		
PROD	<i>[Signature]</i>	8-Feb-87		
SCALE	1/1			
SHEET	1 OF 1			
TOP DOC NO	B-DD-5417106-0-0			

8 7 6 5 4 3 2 1

BPJ 1 WO#

NOTE: UNLESS OTHERWISE SPECIFIED:

1. ALL RESISTORS ARE EXPRESSED IN OHMS AND ARE 1/4W, +-5%.
2. THE VOLTAGE OF ALL CAPACITORS ARE 50V.
3. ----- EXPRESS (OFF THE BOARD).
4. ----- EXPRESS (COMPONENTS LOCATE IN PACKAGE).
5. ----- EXPRESS (HEAT SINK).
6. ----- EXPRESS (COMPONENT NOT INSERT).



THIS DRAWING AND SPECIFICATIONS HEREIN ARE THE PROPERTY OF DIGITAL EQUIPMENT CORPORATION AND SHALL NOT BE REPRODUCED OR COPIED IN ANY MANNER OR IN ANY MEDIUM WITHOUT THE WRITTEN PERMISSION OF DIGITAL EQUIPMENT CORPORATION.

CHK	CHANGE NO.	REV
JAN '87		A
RELEASED		

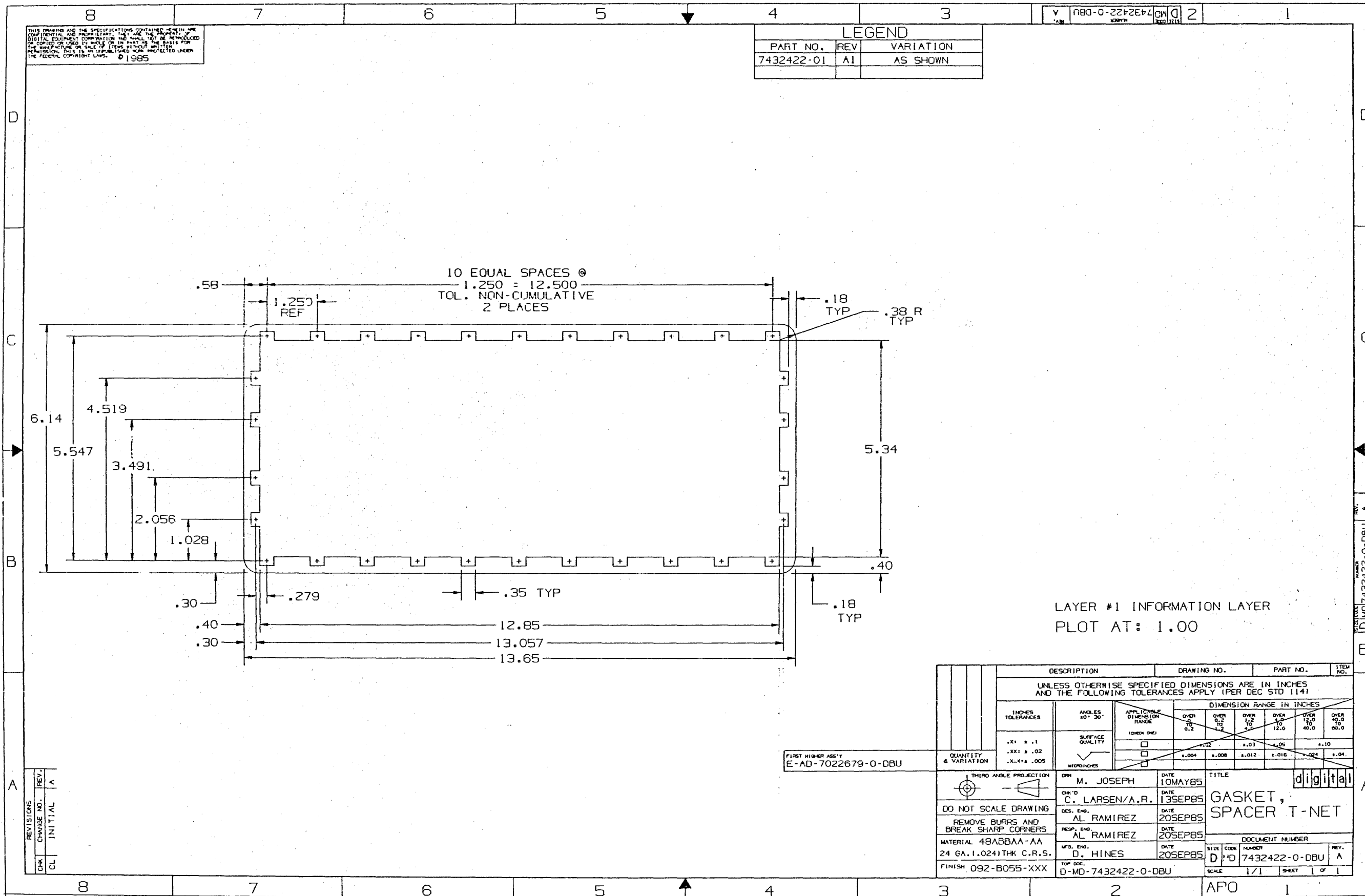
digital
FIRST USED ON OPTION/MODEL

DESIGNED BY	STAN HSIEH	DATE	10-JUL-86
CHECKED BY	L.C. CHEN	DATE	10-JUL-86

DESIGNED BY	C.L. CHUANG	DATE	10-JUL-86
BOARD LOCATION	I of I		
SHEET	1 of 1		
TOP DOCUMENT NUMBER	B-DD-5417106-0-0		

TITLE	SCHEMATIC, CRT ARC PROTECTION MODULE		
SIZE	B	CODE	CS
NUMBER	5417106-0-1		
REV.	A		

BPO 1



4 3 2 1

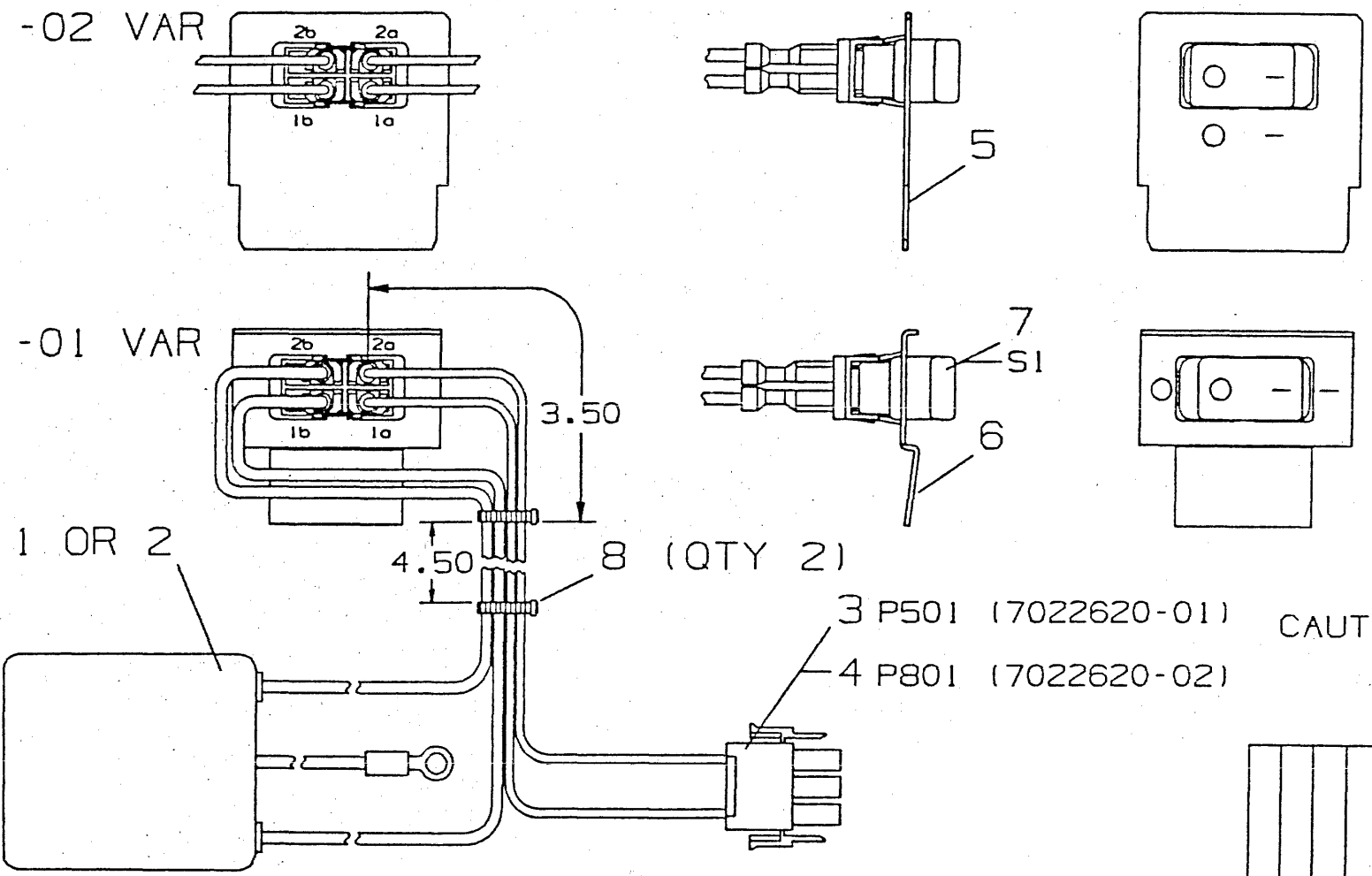
C AD 7022620-0-DBU
 REV. A

THIS DRAWING AND SPECIFICATIONS HEREIN ARE THE PROPERTY OF DIGITAL EQUIPMENT CORPORATION AND SHALL NOT BE REPRODUCED OR COPIED OR USED IN WHOLE OR IN PART AS THE BASIS FOR THE MANUFACTURE OR SALE OF ITEMS WITHOUT WRITTEN PERMISSION.
 COPYRIGHT 1987 DIGITAL EQUIPMENT CORPORATION

LEGEND		
PART NO	REV.	DESCRIPTION
7022620-01	A01	AS SHOWN
7022620-02	A01	AS SHOWN

NOTE :

WIRE TABLE				
ITEM NO	DESCRIPTION		FROM	TO
	AWG	COLOR	CONNECTION	CONNECTION
1 OR 2	18	BRN	-	SI-2b
1 OR 2	18	BLU	-	SI-1b
3 OR 4	18	BRN	P501-1/P801-1	SI-2a
3 OR 4	18	BLU	P501-3/P801-3	SI-1a



CAUTION : OFF SHEET PARTS LIST EXISTS. SEE K-PL-7022620-0-DBP (GH304A.PLS)

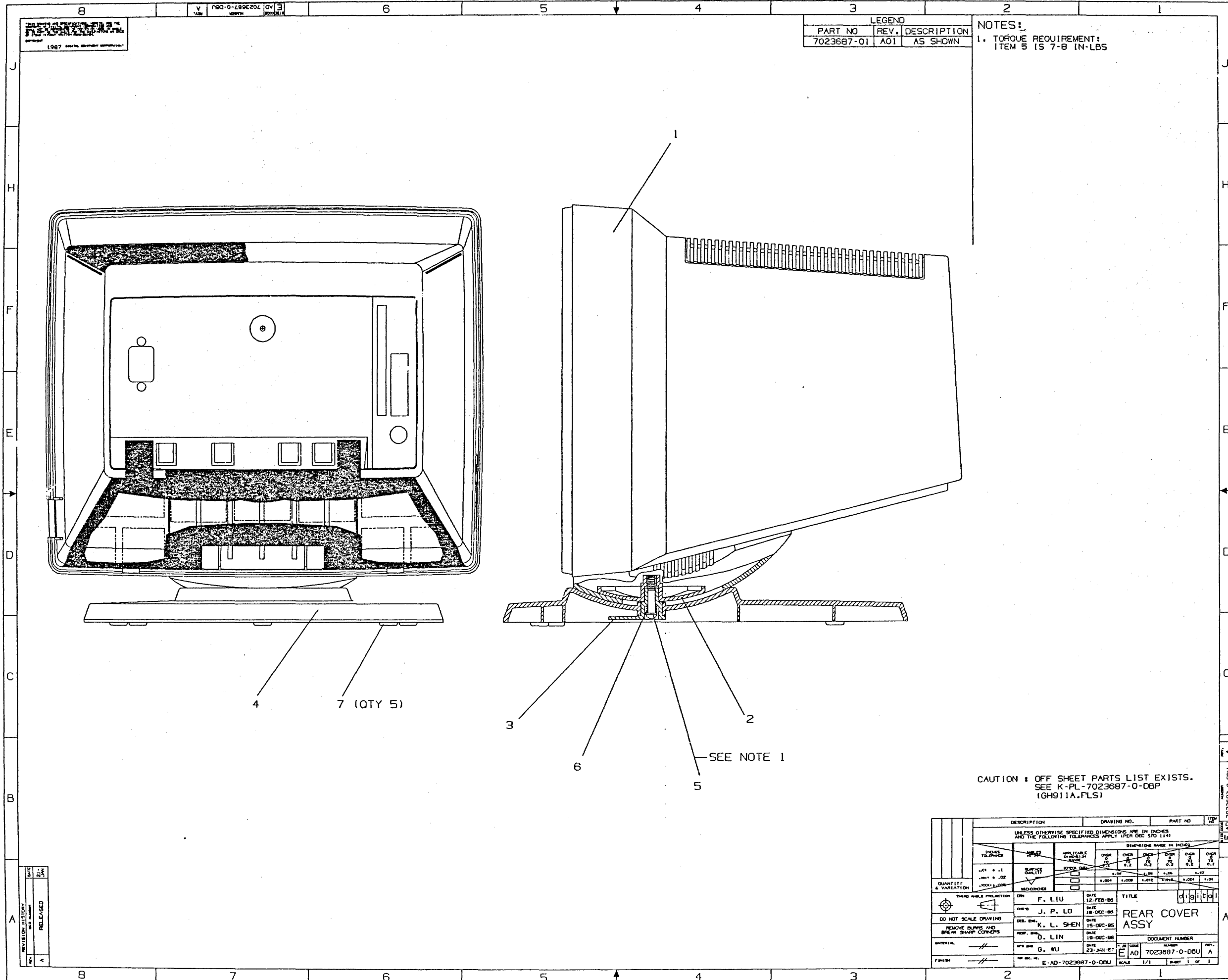
REVISION HISTORY		DATE
REV	ECO NUMBER	21-JAN
A	RELEASED	

DESCRIPTION	DRAWING NO.	PART NO.	ITEM NO.						
UNLESS OTHERWISE SPECIFIED DIMENSIONS ARE IN INCHES AND THE FOLLOWING TOLERANCES APPLY (PER DEC STD 114)									
INCHES TOLERANCES	ANGLES TO 90°	APPLICABLE DIMENSION RANGE	DIMENSIONS RANGE IN INCHES						
			OVER 0 TO 0.2	OVER 0.2 TO 1.2	OVER 1.2 TO 4.0	OVER 4.0 TO 12.0	OVER 12.0 TO 40.0	OVER 40.0 TO 80.0	
QUANTITY & VARIATION	SURFACE QUALITY	MICROINCHES							
THIRD ANGLE PROJECTION	DRN	DATE	TITLE						
DO NOT SCALE DRAWING	CHK'D	DATE	digital						
REMOVE BURRS AND BREAK SHARP CORNERS	DES ENG	DATE	INLET/SWITCH ASSY						
MATERIAL	RES' ENG	DATE	DOCUMENT NUMBER						
FINISH	WFO ENG	DATE	SIZE	CODE	NUMBER	REV			
	TOP DOC. NO.		C AD	7022620-0-DBU	A				
	SCALE	NONE	SHEET 1 OF 1						

C AD 7022620-0-DBU
 REV. A

LINE ITEM	TOP DOCUMENT	PART NUMBER	MIN REV	DESCRIPTION	01 A1	02 A1	QUANTITY PER VARIATION/REVISION
1	B-IA-7023755-0-DBU	70-23755-01	A	FILTER ASSY	1	-	
2	B-IA-7023755-0-DBU	70-23755-02	A	FILTER ASSY	-	1	
3	C-IA-7024292-0-DBU	70-24292-01	A	PWR WIRE ASSY	1	-	
4	C-IA-7024292-0-DBU	70-24292-02	A	PWR WIRE ASSY	-	1	
5	B-MD-7432631-0-DBU	74-32631-01	A	BRACKET, POWER SWITCH	-	1	
6	C-MD-7432952-0-DBU	74-32952-01	A	BRACKET, POWER SWITCH	1	-	
7		12-26116-01		SW,RKR, DPST	1	1	16A12
8		90-09996-00		TIE,CABLE PRELOADED MAG.100 EA	2	-	

REVISION HISTORY		KPL MATRIX FORMAT		SECTION A OF A	DRN: J. N. LIN	D I G I T A L			
ENG	ECO NUMBER	REV	SECTION/VARIATION INDEX		DATE: 29-APR-86				
---	INITIAL	A	[A]	01,02	CHK'D: J. P. LO	TITLE PARTS LIST			
			[B]		DATE: 18-DEC-86	INLET/SWITCH ASSY			
			[C]		DES.ENG: J. KUO	DOCUMENT NUMBER			
			[D]		DATE: 29-APR-86	SIZE	CODE	NUMBER	REV
			[E]		RESP.ENG.: O. LIN	K	PL	7022620-0-DBP	A
			[F]		DATE: 18-DEC-86				
			[H]		MFG.ENG: G. WU	RELEASE DATE: 18-FEB-87			
			[J]		DATE: 26-JAN-87	RELEASE STATUS: RELEASED			
		BASIC PART NUMBER:		ASSEMBLY NUMBER:	TOP DOCUMENT NUMBER:	FILE NAME:		EDIT #	
		7022620		C-AD-7022620-0-DBU	C-AD-7022620-0-DBU	GH304A.PLS		12	



LEGEND		
PART NO	REV.	DESCRIPTION
7023687-01	A01	AS SHOWN

NOTES:
 1. TORQUE REQUIREMENT:
 ITEM 5 IS 7-8 IN-LBS

CAUTION : OFF SHEET PARTS LIST EXISTS.
 SEE K-PL-7023687-0-DBP
 (GH911A.FLS)

DESCRIPTION	DRAWING NO.	PART NO	REV
REAR COVER ASSY	7023687-0-DBU	7023687-0-DBU	A

UNLESS OTHERWISE SPECIFIED DIMENSIONS ARE IN INCHES AND THE FOLLOWING TOLERANCES APPLY UNLESS OTHERWISE SPECIFIED		DIMENSIONS BASED IN INCHES					
INCHES TOLERANCE	FRACTIONS	OVER 0	OVER 0.125	OVER 0.25	OVER 0.375	OVER 0.5	OVER 0.75
±0.010	±0.005	±0.005	±0.005	±0.005	±0.005	±0.005	±0.005
±0.005	±0.002	±0.002	±0.002	±0.002	±0.002	±0.002	±0.002

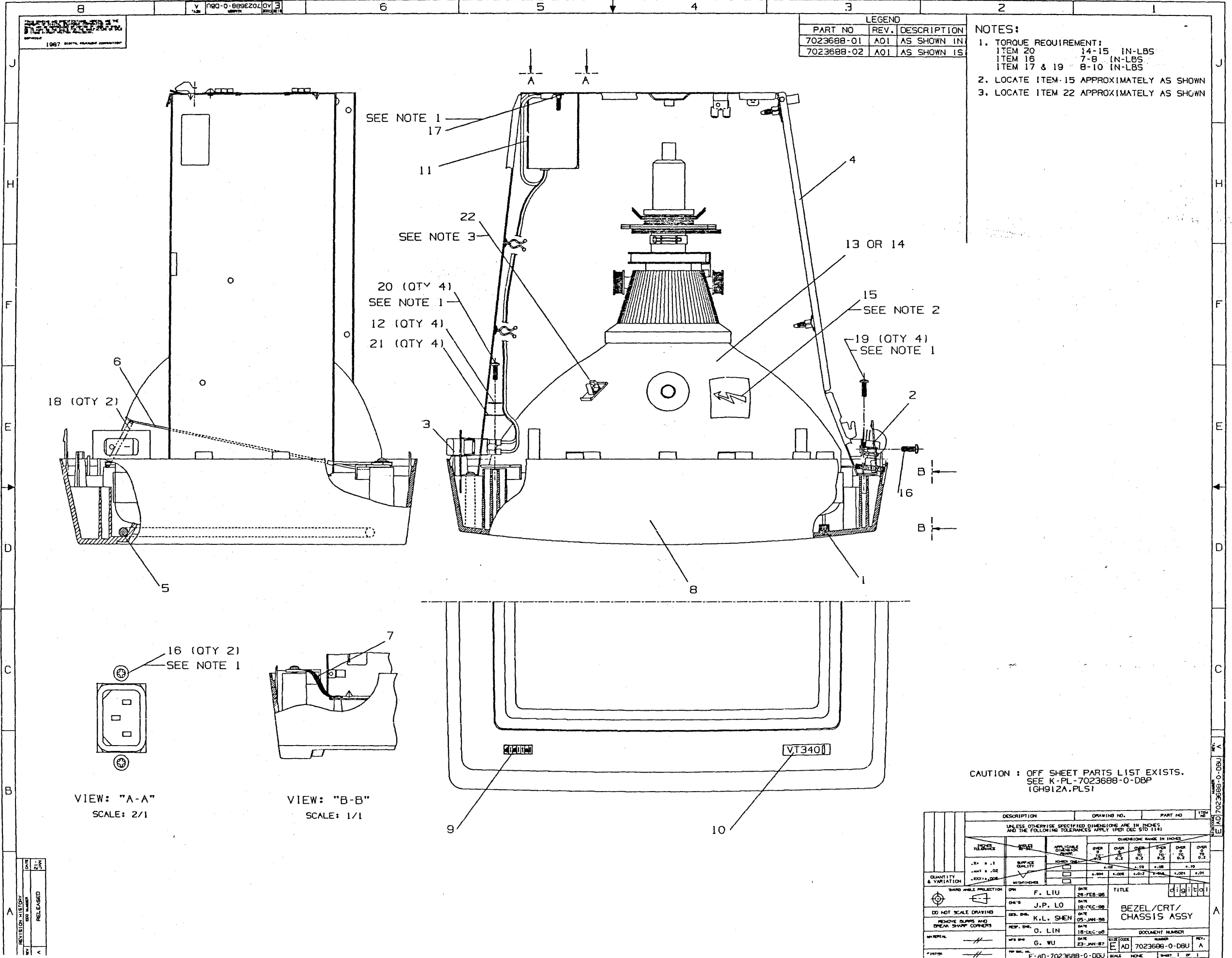
QUANTITY & VARIATION	ONE	DATE	12-FEB-88	TITLE	REAR COVER ASSY
THIRD ANGLE PROJECTION	Y	DRW'G	F. LIU	DATE	18-DEC-88
DO NOT SCALE DRAWING		CHK'D	J. P. LO	DATE	15-DEC-85
REMOVE DIMS AND BREAK SHARP CORNERS		REP. DRW	K. L. SHEN	DATE	18-DEC-88
MATERIAL	—	APP. DRW	G. LIN	DATE	23-JAN-87
FINISH	—	UP DRW. NO.	E-AD-7023687-0-DBU	SCALE	1/1

REVISION HISTORY	DATE	BY
RELEASED	21-JAN	

LINE	ITEM	TOP DOCUMENT	PART NUMBER	MIN REV	DESCRIPTION	QTY
1	1	E-IA-7024042-0-DBU	70-24042-01	A	REAR ENCLOSURE/SCREEN ASSY	1
2	2	C-IA-7432392-0-DBU	74-32392-01	A	BRAKE, SWIVEL	1
3	3	C-MD-7432557-0-DBU	74-32557-01	A	PIVOT, SWIVEL	1
4	4	E-MD-7433476-0-DBU	74-33476-01	A	BASE, SWIVEL	1
5	5		12-26952-01		SCREW, THD RL PHIL F/METAL	1
6	6		12-26967-01		SPRING, SWIVEL	1
7	7		12-26968-01		BUMPER RUBBER	5

REVISION HISTORY		KPL MATRIX FORMAT		SECTION A OF A		DRN: F. LIU		D I G I T A L	
ENG	ECO NUMBER	REV	SECTION/VARIATION INDEX		DATE	TITLE PARTS LIST		REAR COVER ASSY	
---	INITIAL	A	[A]	01	18-DEC-86	CHK'D: J. P. LO		DATE: 18-DEC-86	
			[B]			DES. ENG: K. L. SHEN		DOCUMENT NUMBER	
			[C]			DATE: 28-FEB-86		SIZE CODE NUMBER REV	
			[D]			RESP. ENG.: O. LIN		K PL 7023687-0-DBP A	
			[E]			DATE: 18-DEC-86		RELEASE DATE: 18-FEB-87	
			[F]			MFG. ENG: GORDON WU		RELEASE STATUS: RELEASED	
			[H]			DATE: 26-JAN-87			
			[J]						
BASIC PART NUMBER:		ASSEMBLY NUMBER:		TOP DOCUMENT NUMBER:		FILE NAME:		EDIT #	
7023687		E-AD-7023687-0-DBU		E-AD-7023687-0-DBU		GH911A.PLS		2	

"THIS DRAWING AND THE SPECIFICATIONS CONTAINED HEREIN ARE CONFIDENTIAL AND PROPRIETARY. THEY ARE THE PROPERTY OF DIGITAL EQUIPMENT CORPORATION AND SHALL NOT BE REPRODUCED OR COPIED OR USED IN WHOLE OR IN PART AS THE BASIS FOR THE MANUFACTURE OR SALE OF ITEMS WITHOUT WRITTEN PERMISSION. THIS IS AN UNPUBLISHED WORK PROTECTED UNDER THE FEDERAL COPYRIGHT LAWS."



LINE ITEM	TOP DOCUMENT	PART NUMBER	MIN REV	DESCRIPTION	01 A1	02 A1	QUANTITY PER VARIATION/REVISION
1	1	C-IA-7020773-0-0	70-20773-01 A	LED ASSY	1	1	
2	2	C-AD-7022618-0-DBU	70-22618-02 A	CONTROL/BRACKET ASSY	1	1	
3	3	C-AD-7022620-0-DBU	70-22620-02 A	INLET/SWITCH ASSY	1	1	
4	4	E-AD-7023686-0-DBU	70-23686-01 A	CHASSIS ASSY	1	1	
5	5	D-IA-7023719-0-DBU	70-23719-01 A	DEGAUSS COIL ASSY	1	1	
6	6	B-IA-7023727-0-DBU	70-23727-01 A	GND STRAP ASSY	1	1	
7	7	B-IA-7023735-0-DBU	70-23735-01 A	CRT GROUND CABLE ASSY	1	1	
8	8	E-MD-7432411-0-DBU	74-32411-01 A	BEZEL,FRONT	1	1	
9	9	B-IA-7433851-0-DBU	74-33851-01 A	LOGO,DIGITAL	1	1	
10	10	B-IA-7434079-0-DBU	74-34079-01 A	NAMEPLATE,VT340	1	1	
11	11	C-MD-7434218-0-DBU	74-34218-01 A	SHIELD,EMI FILTER	1	1	
12	12		12-26940-01	WASHER,LOCK	4	4	
13	13		12-27246-01	CRT,14" 0.31MM DOT PITCH HI RESOLU	1	-	
14	14		12-27246-02	CRT,14" 0-31MM DOT PITCH HIGH RESO	-	1	
15	15		36-10267-00	LABEL,DANGER HIGH VOLTAGE,SMOOTH	1	1	
16	16		90-00049-24	SCREW,SEMS PAN PHIL 6-32	3	3	
17	17		90-06565-00	NUT,HEX EXT T00TH LCKWSHR 10-32X	1	1	
18	18		90-09279-03	SPRING,EXTENSION .1800DX1.25 LG	2	2	
19	19		90-09800-14	SCREW,THD RL,PAN PHIL F/PLAS 1	4	4	
20	20		90-09800-15	SCREW,THD RL,PAN PHIL F/PLAS 1	4	4	
21	21		90-10196-00	WASHER,FLAT CS .	4	4	
22	22		90-10792-01	CLIP,CABLE CRT	1	1	

REVISION HISTORY		KPL MATRIX FORMAT		SECTION A OF A		DRN: J. N. LIN		DIGITAL	
ENG	ECO NUMBER	REV	SECTION/VARIATION INDEX		DATE:	J. P. LO		TITLE PARTS LIST	
---	INITIAL	A	[A]	01,02	DATE:	08-JAN-86		BEZEL/CRT/CHASSIS ASSY	
			[B]		DES.ENG:	K. L. SHEN		DOCUMENT NUMBER	
			[C]		DATE:	28-FEB-86		SIZE	CODE
			[D]		RESP.ENG.:	O. LIN		NUMBER	REV
			[E]		DATE:	08-JAN-86		K	PL
			[F]		MFG.ENG:	GORDON WU		7023688-0-DBP	
			[H]		DATE:	26-JAN-87		A	
			[J]		RELEASE DATE:	18-FEB-87		RELEASE STATUS: RELEASED	
BASIC PART NUMBER:		ASSEMBLY NUMBER:		TOP DOCUMENT NUMBER:		FILE NAME:		EDIT #	
7023688		E-AD-7023688-0-DBU		E-AD-7023688-0-DBU		GH912A.PLS		32	

"THIS DRAWING AND THE SPECIFICATIONS CONTAINED HEREIN ARE CONFIDENTIAL AND PROPRIETARY. THEY ARE THE PROPERTY OF DIGITAL EQUIPMENT CORPORATION AND SHALL NOT BE REPRODUCED OR COPIED OR USED IN WHOLE OR IN PART AS THE BASIS FOR THE MANUFACTURE OR SALE OF ITEMS WITHOUT WRITTEN PERMISSION. THIS IS AN UNPUBLISHED WORK PROTECTED UNDER THE FEDERAL COPYRIGHT LAWS."

4 3 2 1

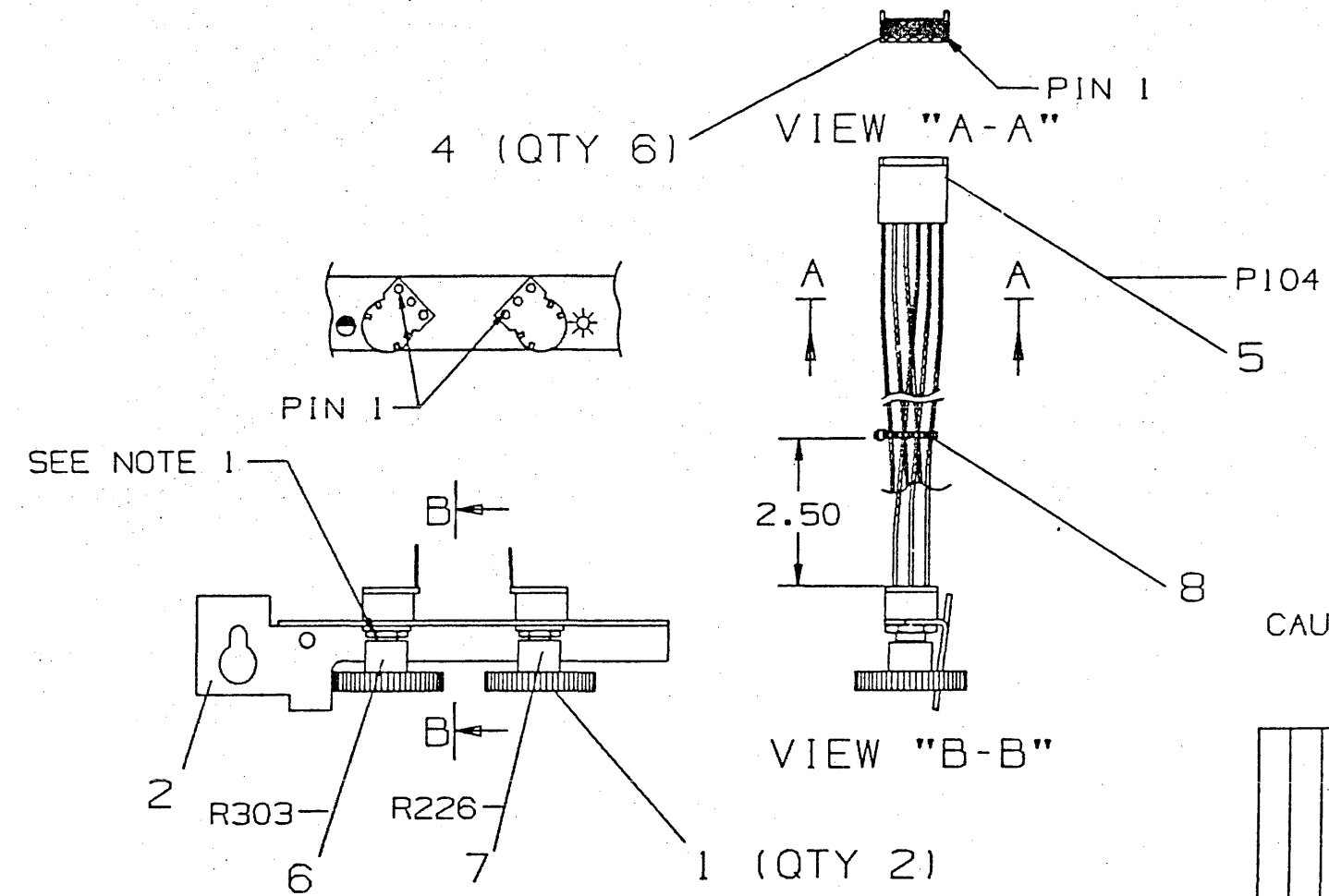
SIZE CODE
C AD
7022618-0-DBU
REV. A

THIS DRAWING AND SPECIFICATIONS, HEREIN, ARE THE PROPERTY OF DIGITAL EQUIPMENT CORPORATION AND SHALL NOT BE REPRODUCED OR COPIED OR USED IN WHOLE OR IN PART AS THE BASIS FOR THE MANUFACTURE OR SALE OF ITEMS WITHOUT WRITTEN PERMISSION.
COPYRIGHT
1987 DIGITAL EQUIPMENT CORPORATION

LEGEND		
PART NO	REV.	DESCRIPTION
7022618-01	A01	SEE SHT 1 OF 2
7022618-02	A01	SEE SHT 2 OF 2

NOTES:
1. TORQUE REQUIREMENT:
4-6 IN-LBS FOR ITEM 6 & 7

WIRE TABLE							
ITEM NO	DESCRIPTION		FROM		TO		PRECUT LENGTH +.50/- .00
	AWG	COLOR	CONNECTION	WITH	CONNECTION	WITH	
9	22	BLK	P104-1	5	Ø R226-3	SOLDER	5.00
10	22	BRN	P104-2	5	Ø R226-2	SOLDER	5.00
11	22	RED	P104-3	5	Ø R226-1	SOLDER	5.00
12	22	ORN	P104-5	5	● R303-3	SOLDER	5.00
13	22	YEL	P104-4	5	● R303-2	SOLDER	5.00
14	22	GRN	P104-6	5	● R303-1	SOLDER	5.00



CAUTION : OFF SHEET PARTS LIST EXISTS.
SEE K-PL-7022618-0-DBP
(GH302A.PLS)

REVISION HISTORY		DATE
REV	ECD NUMBER	21-JAN
A	RELEASED	

DESCRIPTION	DRAWING NO.	PART NO.	ITEM NO.
UNLESS OTHERWISE SPECIFIED DIMENSIONS ARE IN INCHES AND THE FOLLOWING TOLERANCES APPLY (PER DEC STD 114)			
INDICES TOLERANCES	ANGLES TO 90°	APPLICABLE DIMENSION RANGE (TO EX. DIM)	
		DIMENSIONS RANGE IN INCHES	
SURFACE QUALITY	MICROINCHES	OVER 0 TO 1.2	OVER 1.2 TO 4.0
		OVER 4.0 TO 12.0	OVER 12.0 TO 40.0
QUANTITY & VARIATION		±.02	±.05
		±.004	±.012
		±.008	±.024
		±.012	±.048
		±.024	±.096
THIRD ANGLE PROJECTION	DRW J.N. LIN	DATE 29-APR-86	TITLE digital
DO NOT SCALE DRAWING	CHK'D J. P. LO	DATE 18-DEC-86	CONTROL / BRKT ASSY
REMOVE BURRS AND BREAK SHARP CORNERS	DES ENG J. KUO	DATE 29-APR-86	
MATERIAL	RESP ENG O. LIN	DATE 18-DEC-86	DOCUMENT NUMBER
FINISH	WFO ENG G. WU	DATE 23-JAN-87	SIZE CODE NUMBER REV
	TOP DOC. NO. C-AD-7022618-0-DBU	SCALE NONE	SHEET 1 OF 2

4 3 2 1

4

V

7022618-0-DBU

CAD

3

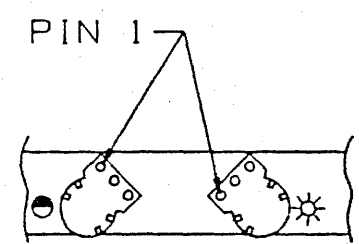
2

1

"THIS DRAWING AND SPECIFICATIONS, HEREIN, ARE THE PROPERTY OF DIGITAL EQUIPMENT CORPORATION AND SHALL NOT BE REPRODUCED OR COPIED OR USED IN WHOLE OR IN PART AS THE BASIS FOR THE MANUFACTURE OR SALE OF ITEMS WITHOUT WRITTEN PERMISSION."
 COPYRIGHT 1987 DIGITAL EQUIPMENT CORPORATION

WIRE TABLE

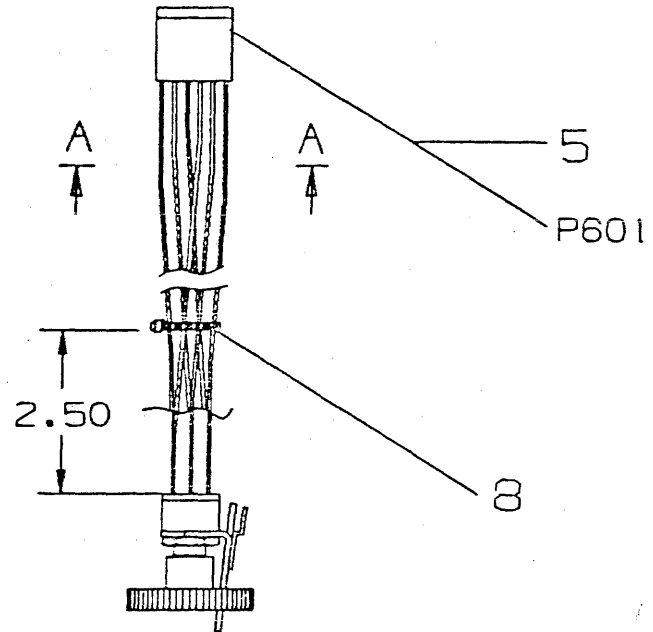
ITEM NO	DESCRIPTION		FROM		TO		PRECUT LENGTH +.50/- .00
	AWG	COLOR	CONNECTION	WITH	CONNECTION	WITH	
9	22	BLK	P601-6	5	Ø R622-3	SOLDER	8.50
10	22	BRN	P601-5	5	Ø R622-2	SOLDER	8.50
11	22	RED	P601-4	5	Ø R622-1	SOLDER	8.50
12	22	ORN	P601-1	5	Ø R631-3	SOLDER	8.50
13	22	YEL	P601-2	5	Ø R631-2	SOLDER	8.50
14	22	GRN	P601-3	5	Ø R631-1	SOLDER	8.50



4 (QTY 6)

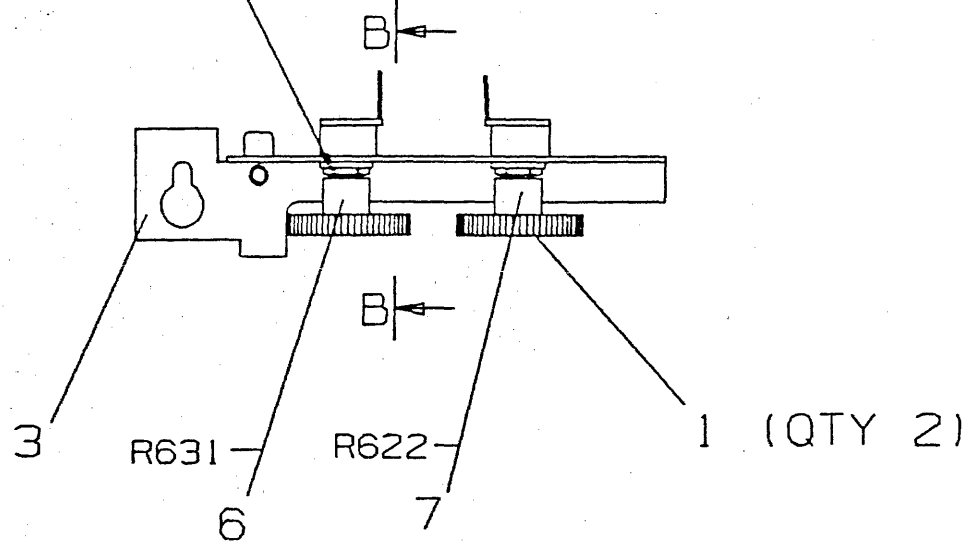
VIEW "A-A"

PIN 1



VIEW "B-B"

SEE NOTE 1



1 (QTY 2)

DATE	ECO NUMBER	REV
REVISION HISTORY		

TITLE CONTROL/
BRKT ASSY

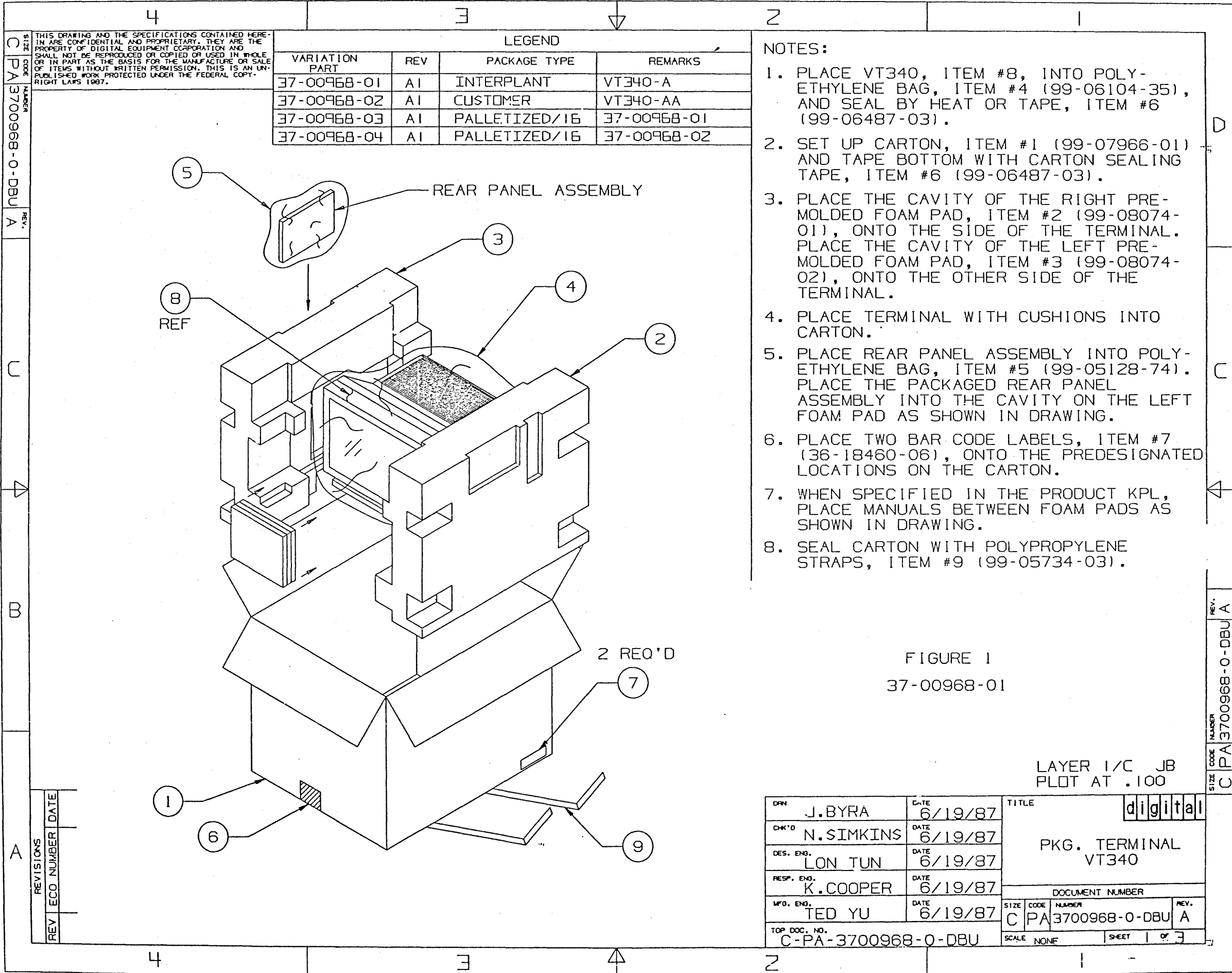
DOCUMENT NUMBER			
SIZE	CODE	NUMBER	REV.
C	AD	7022618-0-DBU	A
SCALE NONE		SHEET 2 OF 2	

REV. A
 NUMBER 7022618-0-DBU
 CAD

LINE ITEM	TOP DOCUMENT	PART NUMBER	MIN REV	DESCRIPTION	QUANTITY PER VARIATION/REVISION	
					01 A1	02 A1
1	C-MD-7432393-0-DBU	74-32393-01	A	THUMBWHEEL	2	2
2	C-IA-7432396-0-DBU	74-32396-01	A	BRKT W/O CONN	1	-
3	C-IA-7432396-0-DBU	74-32396-02	A	BRACKET,W/CONNECTOR	-	1
4		12-14979-01		CONN,P+S 02PIN 30-22AWG .06	6	6
5		12-15322-00		CONN,P+S 06POS(1X06).100CC HSG	1	1
6		13-27574-01		10.0 K .05 W20.0 % POT	1	1
7		13-27574-02		50.0 K .05 W20.0 % POT	1	1
8		90-09996-00		TIE,CABLE PRELOADED MAG.100 EA	1	1
9	SEE NOTE 1	91-07900-00		WIRE, 22AWG(07/30) PVC 300V 8	6	9
10	SEE NOTE 1	91-07900-11		WIRE, 22AWG(07/30) PVC 300V 8	6	9
11	SEE NOTE 1	91-07900-22		WIRE, 22AWG(07/30) PVC 300V 8	6	9
12	SEE NOTE 1	91-07900-33		WIRE, 22AWG(07/30) PVC 300V 8	6	9
13	SEE NOTE 1	91-07900-44		WIRE, 22AWG(07/30) PVC 300V 8	6	9
14	SEE NOTE 1	91-07900-55		WIRE, 22AWG(07/30) PVC 300V 8	6	9

1 GEN: QTY FOR ITEMS 9 THRU 14 IS IN INCHES.

REVISION HISTORY			KPL MATRIX FORMAT		SECTION A OF A		DRN: J.N. LIN		DIGITAL			
ENG	ECO NUMBER	REV	SECTION/VARIATION INDEX		DATE: 29-APR-86		CHK'D: J. P. LO		TITLE PARTS LIST			
---	INITIAL	A	(A)	01,02	DATE: 18-DEC-86		DATE: 18-DEC-86		CONTROL/BRACKET ASSY			
			(B)				DES.ENG: J. KUO		DOCUMENT NUMBER			
			(C)				DATE: 29-APR-86		SIZE	CODE	NUMBER	REV
			(D)				RESP.ENG.: O. LIN		K	PL	7022618-0-DBP	A
			(E)				DATE: 18-DEC-86		RELEASE DATE: 18-FEB-87			
			(F)				MFG.ENG: GORDON WU		RELEASE STATUS: RELEASED			
			(H)				DATE: 26-JAN-87					
			(J)									
			BASIC PART NUMBER:		ASSEMBLY NUMBER:		TOP DOCUMENT NUMBER:		FILE NAME:		EDIT #	
			7022618		C-AD-7022618-0-DBU		C-AD-7022618-0-DBU		GH302A.PLS		33	



C PA 3700968-0-DBU A
 SIZE CODE NUMBER REV.

THIS DRAWING AND THE SPECIFICATIONS CONTAINED HEREIN ARE CONFIDENTIAL AND PROPRIETARY. THEY ARE THE PROPERTY OF DIGITAL EQUIPMENT CORPORATION AND SHALL NOT BE REPRODUCED OR COPIED OR USED IN WHOLE OR IN PART AS THE BASIS FOR THE MANUFACTURE OR SALE OF ITEMS WITHOUT WRITTEN PERMISSION. THIS IS AN UNPUBLISHED WORK PROTECTED UNDER THE FEDERAL COPYRIGHT LAWS 1987.

LEGEND			
VARIATION PART	REV	PACKAGE TYPE	REMARKS
37-00968-01	AI	INTERPLANT	VT340-A
37-00968-02	AI	CUSTOMER	VT340-AA
37-00968-03	AI	PALLETIZED/16	37-00968-01
37-00968-04	AI	PALLETIZED/16	37-00968-02

- NOTES:
- PLACE VT340, ITEM #8, INTO POLY-ETHYLENE BAG, ITEM #4 (99-06104-35), AND SEAL BY HEAT OR TAPE, ITEM #6 (99-06487-03).
 - SET UP CARTON, ITEM #1 (99-07966-01) AND TAPE BOTTOM WITH CARTON SEALING TAPE, ITEM #6 (99-06487-03).
 - PLACE THE CAVITY OF THE RIGHT PRE-MOLDED FOAM PAD, ITEM #2 (99-08074-01), ONTO THE SIDE OF THE TERMINAL. PLACE THE CAVITY OF THE LEFT PRE-MOLDED FOAM PAD, ITEM #3 (99-08074-02), ONTO THE OTHER SIDE OF THE TERMINAL.
 - PLACE TERMINAL WITH CUSHIONS INTO CARTON.
 - PLACE REAR PANEL ASSEMBLY INTO POLY-ETHYLENE BAG, ITEM #5 (99-05128-74). PLACE THE PACKAGED REAR PANEL ASSEMBLY INTO THE CAVITY ON THE LEFT FOAM PAD AS SHOWN IN DRAWING.
 - PLACE TWO BAR CODE LABELS, ITEM #7 (36-18460-06), ONTO THE PREDESIGNATED LOCATIONS ON THE CARTON.
 - WHEN SPECIFIED IN THE PRODUCT KPL, PLACE MANUALS BETWEEN FOAM PADS AS SHOWN IN DRAWING.
 - SEAL CARTON WITH POLYPROPYLENE STRAPS, ITEM #9 (99-05734-03).

FIGURE 1
37-00968-01

LAYER 1/C JB
PLOT AT .100

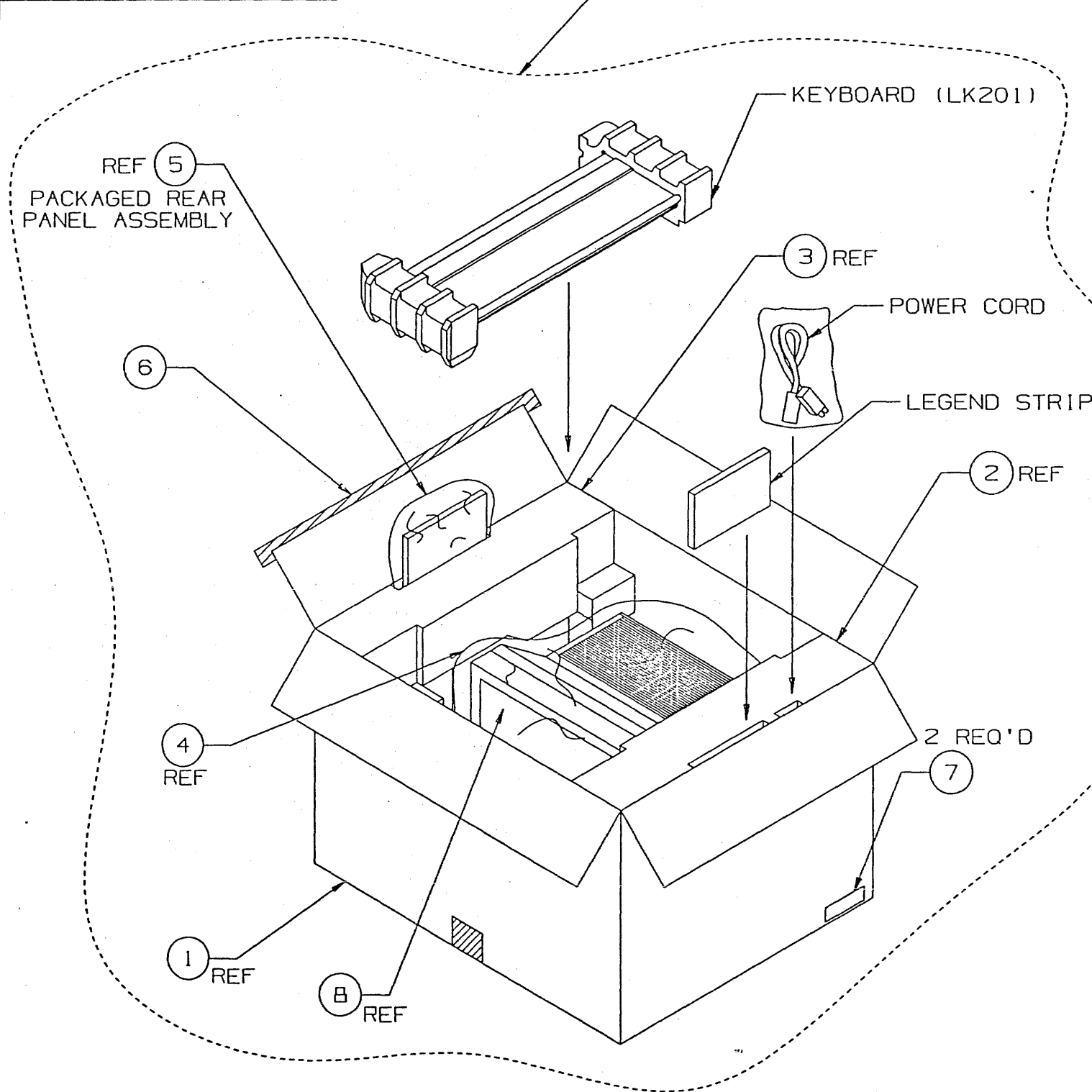
REVISIONS	
REV	ECO NUMBER DATE

DRN	J.BYRA	DATE	6/19/87	TITLE	digital
CHK'D	N.SIMKINS	DATE	6/19/87	PKG. TERMINAL VT340	DOCUMENT NUMBER
DES. ENG.	LON TUN	DATE	6/19/87		
RESP. ENG.	K.COOPER	DATE	6/19/87	C PA 3700968-0-DBU A	REV. A
MFD. ENG.	TED YU	DATE	6/19/87		
TOP DOC. NO.	C-PA-3700968-0-DBU			SCALE	NONE
				SHEET	1 OF 3

C PA 3700968-0-DBU A
 SIZE CODE NUMBER REV.

SIZE CODE NUMBER
 C PA 3700968-0-DBU A

THIS DRAWING AND THE SPECIFICATIONS CONTAINED HEREIN ARE CONFIDENTIAL AND PROPRIETARY. THEY ARE THE PROPERTY OF DIGITAL EQUIPMENT CORPORATION AND SHALL NOT BE REPRODUCED OR COPIED OR USED IN WHOLE OR IN PART AS THE BASIS FOR THE MANUFACTURE OR SALE OF ITEMS WITHOUT WRITTEN PERMISSION. THIS IS AN UNPUBLISHED WORK PROTECTED UNDER THE FEDERAL COPYRIGHT LAWS 1967.



NOTES:

1. OPEN CARTON, PLACE POWER CORD IN CAVITY ON RIGHT FOAM PAD AS SHOWN IN DRAWING. PLACE LEGEND STRIP CARTON, KEYBOARD ASSEMBLY AND MANUALS IN PROPER CAVITIES PER FIGURE.
2. SEAL CARTON WITH TAPE, ITEM #6 (99-06487-03).
3. PLACE 2 NEW BAR CODE LABELS OVER EXISTING BAR CODE LABELS INDICATING NEW OPTION NAME.

FIGURE 2
 37-00968-02

LAYER 2/C JB
 PLOT AT .100

TITLE				digital	
PKG. TERMINAL VT340					
DOCUMENT NUMBER					
SIZE	CODE	NUMBER	REV.		
C	PA	3700968-0-DBU	A		
SCALE NONE			SHEET 2 OF 3		

SIZE CODE NUMBER
 C PA 3700968-0-DBU A

THIS DRAWING AND THE SPECIFICATIONS CONTAINED HEREIN ARE CONFIDENTIAL AND PROPRIETARY. THEY ARE THE PROPERTY OF DIGITAL EQUIPMENT CORPORATION AND SHALL NOT BE REPRODUCED OR COPIED OR USED IN WHOLE OR IN PART AS THE BASIS FOR THE MANUFACTURE OR SALE OF ITEMS WITHOUT WRITTEN PERMISSION. THIS IS AN UNPUBLISHED WORK PROTECTED UNDER THE FEDERAL COPYRIGHT LAWS 1987.

SIZE CODE NUMBER
C PA 3700968-0-DBU

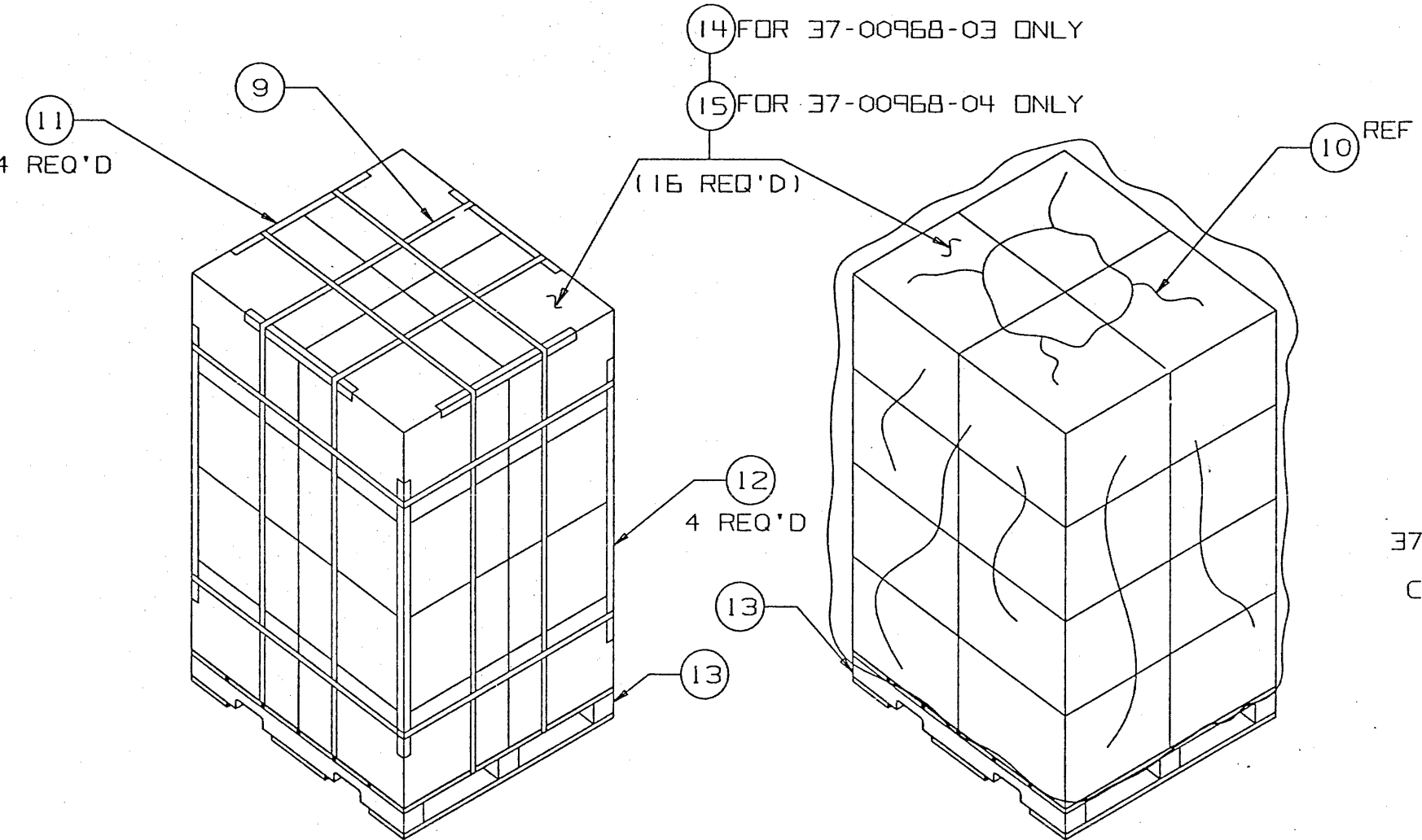
REV. A

U

▽

B

A



STRAPPING DETAIL

STRETCH WRAP DETAIL

4 CARTONS/TIER
4 TIERS/PALLET
16 CARTONS/PALLET

FIGURE 3
37-00968-03/-04
CONFIGURATION

LAYER 3/C JB
PLOT AT .100

TITLE		digital	
PKG. TERMINAL		VT340	
DOCUMENT NUMBER			
SIZE	CODE	NUMBER	REV.
C	PA	3700968-0-DBU	A
SCALE NONE		SHEET 3 OF 3	

REV. A
C PA 3700968-0-DBU

4

3

▽

2

1