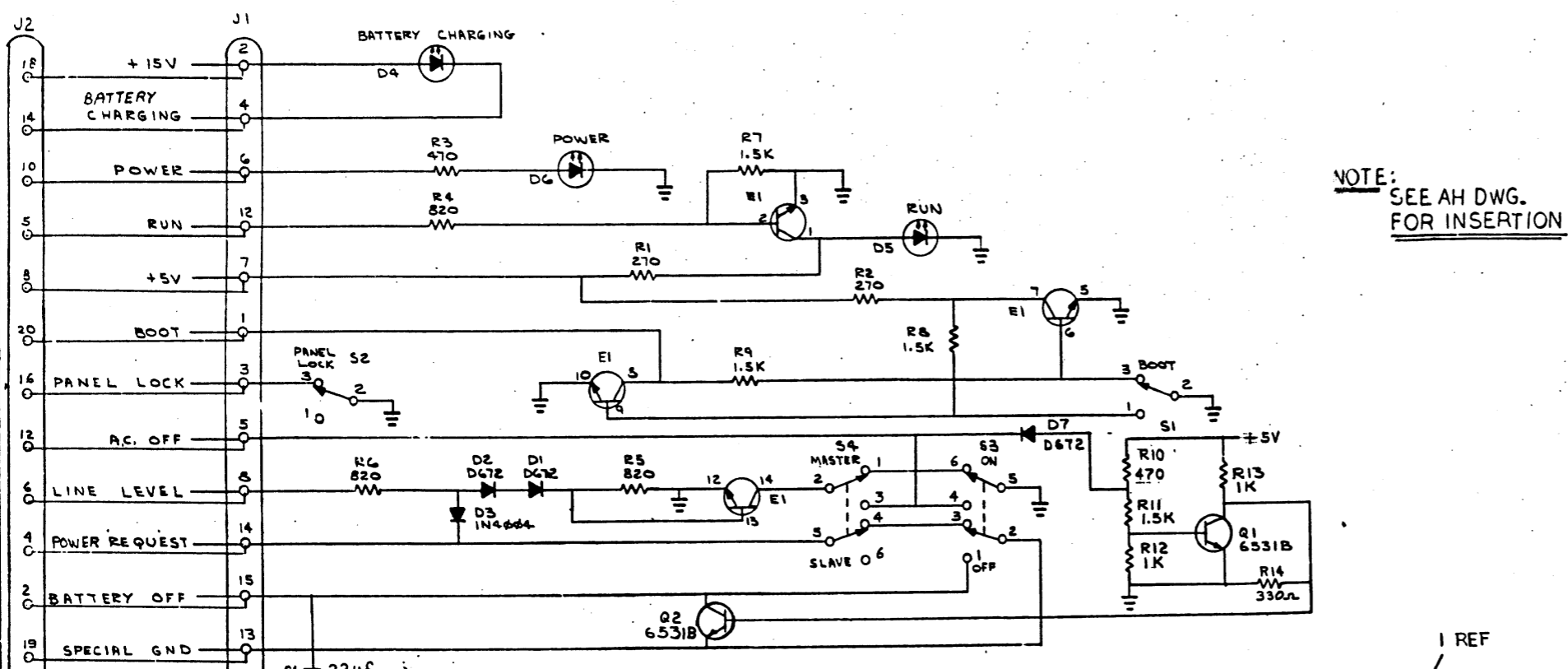
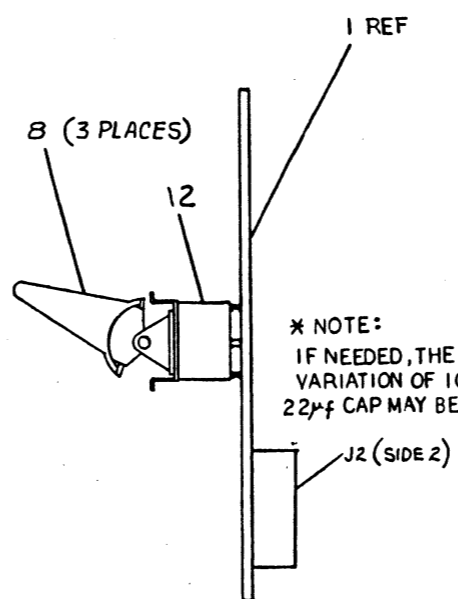
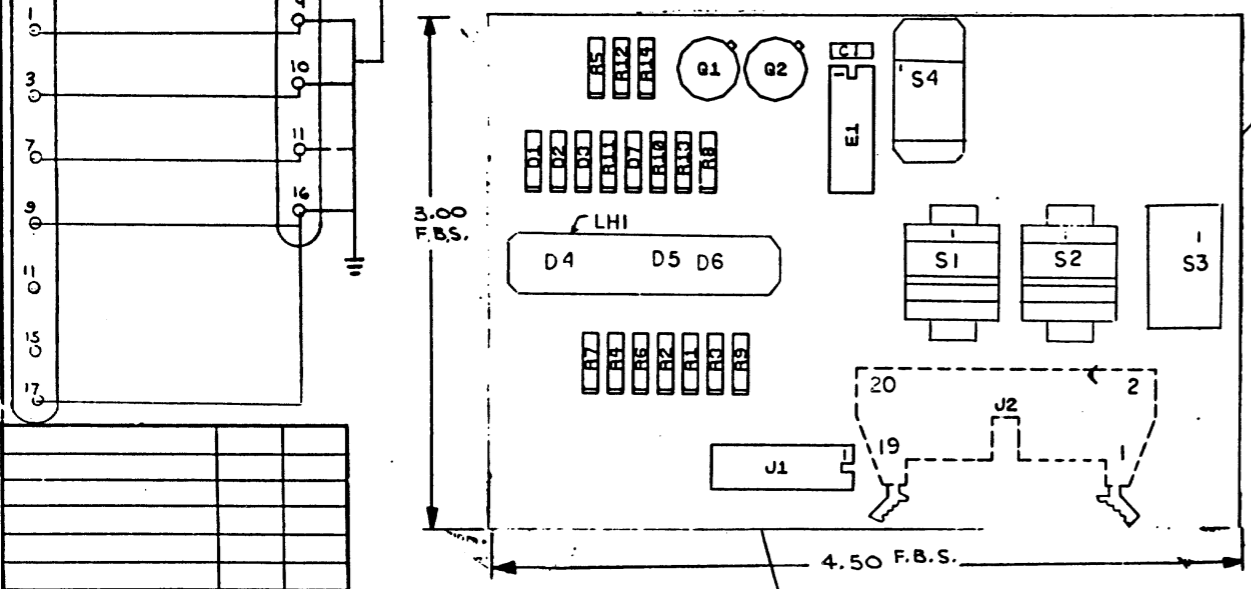


THIS DRAWING AND SPECIFICATIONS, HEREIN ARE THE PROPERTY OF DIGITAL EQUIPMENT CORPORATION AND SHALL NOT BE REPRODUCED OR COPIED OR USED IN WHOLE OR IN PART AS THE BASIS FOR THE MANUFACTURE OR SALE OF ITEMS WITHOUT WRITTEN PERMISSION. COPYRIGHT © 1975. DIGITAL EQUIPMENT CORPORATION.

NOTES:



NOTE:
SEE AH DWG.
FOR INSERTION



* NOTE:
IF NEEDED, THE - 00
VARIATION OF 1010274,
22µf CAP MAY BE USED.

IC TYPE	GND	+5V

GND AND 5V ARE USUALLY PIN 7 AND 14
RESPECTIVELY EXCEPTIONS ARE STATED ABOVE

REV.	DATE	BY	CHK.
A	1-27-75	K. DeLo	P. Scantlebury
B	2-27-75	P. Gardner	P. Gardner
C	2-27-75	P. Gardner	P. Gardner
D	2-27-75	P. Gardner	P. Gardner
E	2-27-75	P. Gardner	P. Gardner
F	2-27-75	P. Gardner	P. Gardner

FIRST USED ON OPTION MODEL H9300	
ETCH BOARD REV. C	
DRN. K. DeLo	DATE 1-27-75
CHKD. P. Gardner	DATE 1-29-75
ENG. P. Gardner	DATE 2-27-75
PROD. P. Gardner	DATE 2-27-75
NEXT HIGHER ASSY D-AD-1010033-2-0	
SCALE 1/8"	SHEET 1 OF 1

PARTS LIST				
QTY	REF. DESIGNATION	DESCRIPTION	PART NO.	ITEM NO.
1	J2	RT. ANGLE HEADER, 20 PIN	1209941-06	25
1		RT. ANGLE HEADER, LEFT LATCH	1209941-03	26
1		RT. ANGLE HEADER, RT. LATCH	1209941-04	27
1	C1	* CAP., .22µF, 50V, 20%	1010274-01	28

REV.	X-Y COORDINATE HOLE LOCATION	K-60-5411507-0-4	1
REV	ASSY/DRILLING HOLE LAYOUT	D-AH-5411507-0-5	2
REV	MODULE ECO HISTORY	B-MH-5411507-0-6	3
1	ETCHED CIRCUIT BOARD	5011506	4
3	D1, D2, D7	DIODE, D672	1105275
1	D3	DIODE, 1N4004	1105796
3	D4, D5, D6	DIODE, LIGHT EMITTING	1110324
3		KNOB, DARK GRAY (#47)	1210786-01
2	S1, S2	SWITCH, TOGGLE, SPDT.	1210840
1	S4	SWITCH, SLIDE, DPST.	1210919
1	LH1	LED HOLDER, TRIPLE	1210940-02
1	S3	SWITCH, TOGGLE, D.P.D.T.	1212013
2	R3, R10	RES. 470, ¼W 5%	1300316
4	R7, R8, R9, R11	RES. 1.5K, ¼W 5%	1300391
3	R4, R5, R6	RES 820, ¼W, 5%	1301775
2	R1, R2	RES 270, ¼W, 5%	1301972
1	E1	QUAD CORE DRIVER, 4011	1511102-00
1	J1	SOCKET, 16 PIN	1211813-02
2		SCR, SLOTTED PAN HD, SELF TRIG 6-25	9008230-01
2	R12, R13	RES. 1K, ¼W 5%	1300365
2	Q1, Q2	TRAN. DEC 6531B	1509338
1	R14	RES 330, ¼W, 5%	1300295
2		WIRE, #30 GREEN SOLID	9105740-55
24		WIRE, #30 GREEN SOLID	9105740-55

digital

**LIMITED
FUNCTION BOARD**

SIZE CODE: **DCS 5411507-0-1**

SEMICONDUCTOR CONVERSION CHART