

DRAWING DIRECTORY

CUSTOMER PRINT SET INDEX

THIS IS PRINT SET

	SEQUENCE		SEQUENCE
DRAWING DIRECTORY	B-DD-860-0		
POWER CONTROL	E-UA-860-0-0		
CIRCUIT SCHEMATIC	C-CS-860-0-1		
POWER CONTROL BOARD	E-IA-5409770-0-0		
CIRCUIT SCHEMATIC	C-CS-5409770-0-1		

UNIT VARIATIONS		PRINT SET TYPE					
VARIATION	TITLE	860-1					
860-A	POWER CONTROL (115V 60HZ)	X					
860-B	POWER CONTROL (230V 50HZ)	X					
860-C	POWER CONTROL 115V SWITCHED AC OUT	X					
860-D	POWER CONTROL 230V SWITCHED AC OUT	X					

REVISIONS	DATE	CHG. NO.	REV
	5/7/72	860-00001	A
		860-00002	B
	B.W.	860-00003	C
		860-00004	D

USED ON OPTION/MODEL	11/45	DRN. R. COOK	DATE 3/21/72	TITLE CONTROL, POWER	SIZE	CODE	NUMBER 860-0	REV D
		CHK'D. R. COOK	DATE 3/30/72					
	PROJ. ENG. G.V. White	DATE 1/18/72						
		PROD. G.V. White	DATE 1/21/72					
		FIELD SERV. G.V. White	DATE 5/1/72					
SHEET 1 OF 2				DIST	5			

CUSTOMER PRINT SET					ELECTRICAL					CUSTOMER PRINT SET					MECHANICAL									
360-1					MFG. SET	FIND NO.	DRAWING NO.	REV	NO OF SHT	DESCRIPTION	OPTION NO.	360-1					MFG. SET	FIND NO.	DRAWING NO.	REV	NO OF SHT	DESCRIPTION	OPTION NO.	
X						1.	E-UA-860-0-0	C	1	CONTROL, POWER								1.	E-UA-860-0-0	C	1	CONTROL, POWER		
X							C-CS-860-0-1	A	1	CIRCUIT SCHEMATIC									D-MD-5309962-0-0		2	CHASSIS, POWER CONTROL		
																			A-DC-5309977-0-0		1	DECAL 860-A		
																			A-DC-5309977-0-0		1	DECAL 860-A		
																			C-MD-5310174-0-0		1	BRACKET, 350 MOUNTING		
X						2.	E-1A-5409770-0-0	#	1	POWER CONTROL BOARD									2.	E-1A-5409770-0-0		1	POWER CONTROL BOARD	
							K-CO-5409770-0-4		1	X-Y CO-ORDINATE HOLE LOC									K-CC-5409770-0-4		1	X-Y CO-ORDINATE HOLE LOC		
							D-AH-5409770-0-5		1	ASSY/DRILLING HOLE LAYOUT									D-AH-5409770-0-5		1	ASSY/DRILLING HOLE LAYOUT		
X							C-CS-5409770-0-1	#	1	CIRCUIT SCHEMATIC														

TITLE	CONTROL, POWER	SHEET 2 OF 2	SIZE	B	CODE	DD	NUMBER	860-0	REV	D
-------	----------------	--------------	------	---	------	----	--------	-------	-----	---

The Electrician should refer to the applicable section of the Electrical Code for the requirements of the wiring and the applicable sections of the National Electrical Code for the requirements of the wiring and the applicable sections of the National Electrical Code for the requirements of the wiring.

LEGEND

NUMBER	VARIATION
860-A	115 V 60 HZ
860-B	230V 50 HZ
860-C	115 V 60 HZ ALL AC OUT SWITCHED
860-D	230V 50 HZ ALL AC OUT SWITCHED

WIRE TABLE #3

ITEM NO	DESCRIPTION	FROM	TO
33	10 RED	3	C2-2
34	10 WHT	2	C2-1
51	51 GRN	1	GND

WIRE TABLE #2

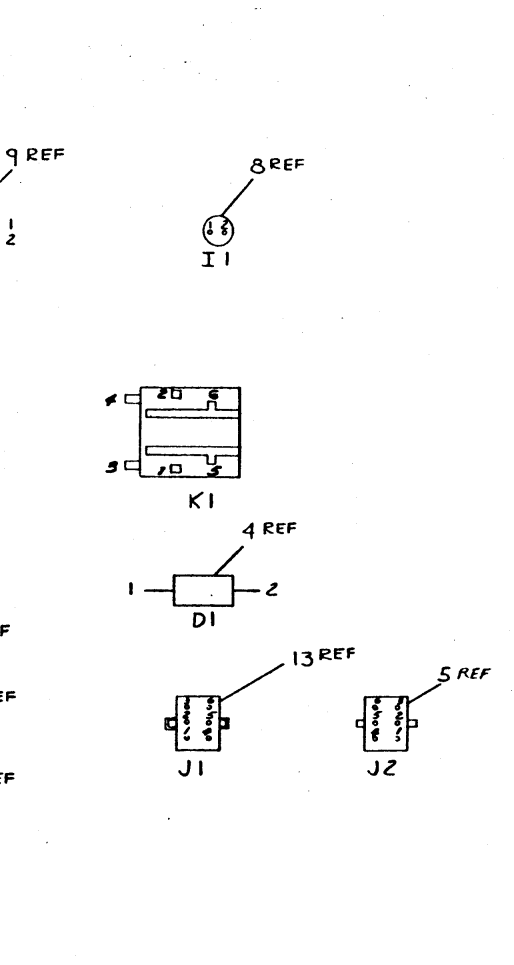
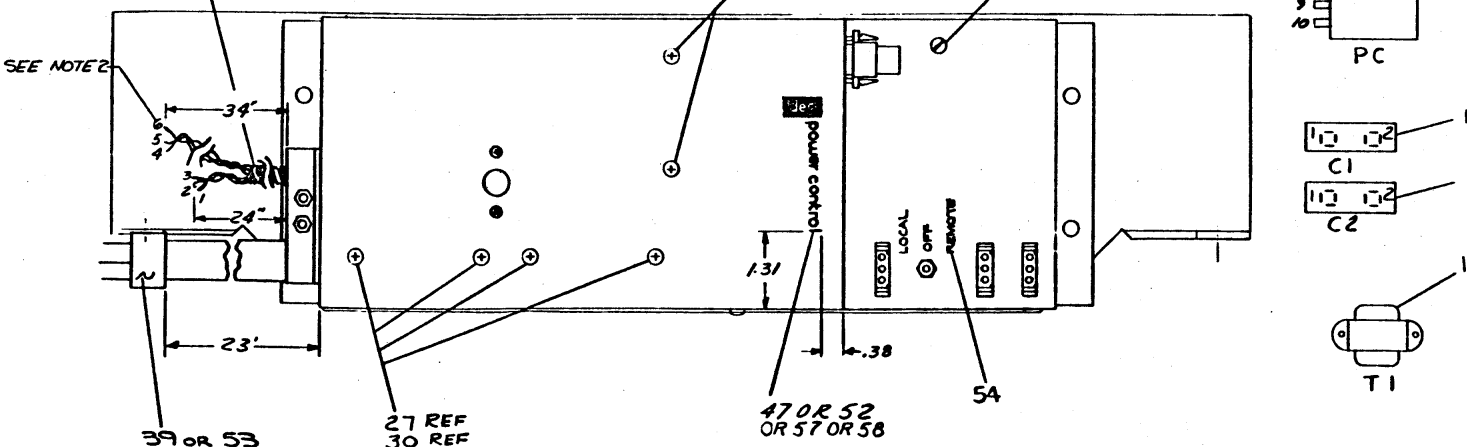
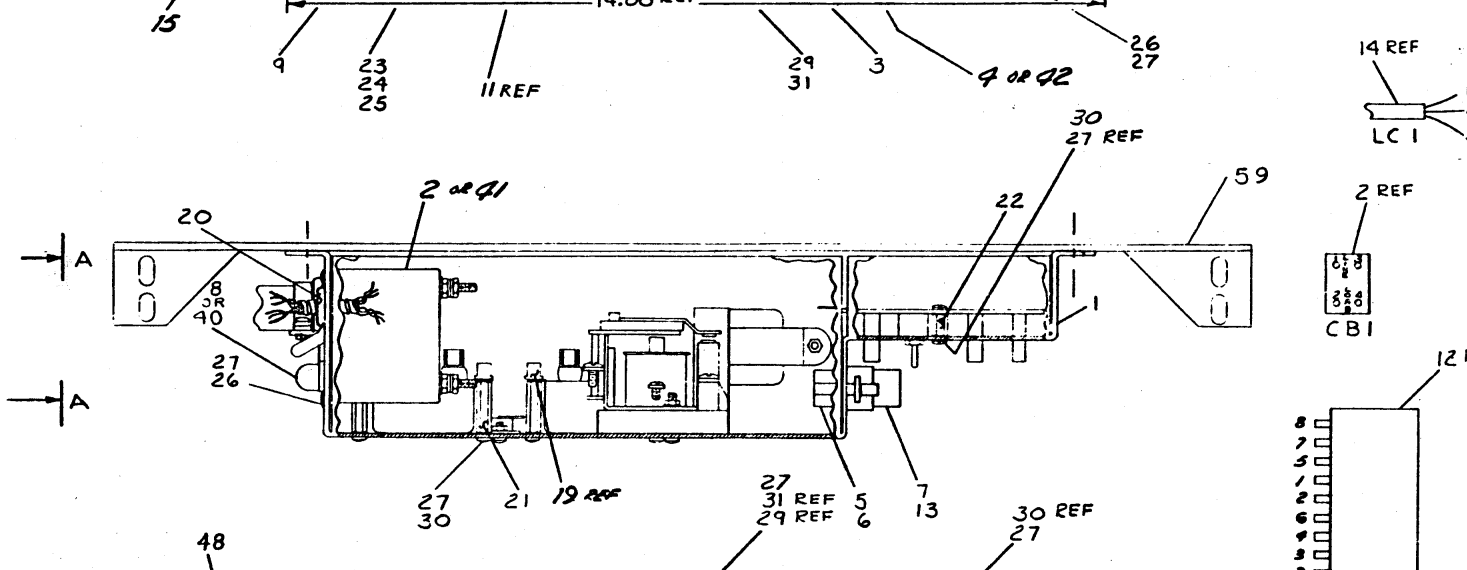
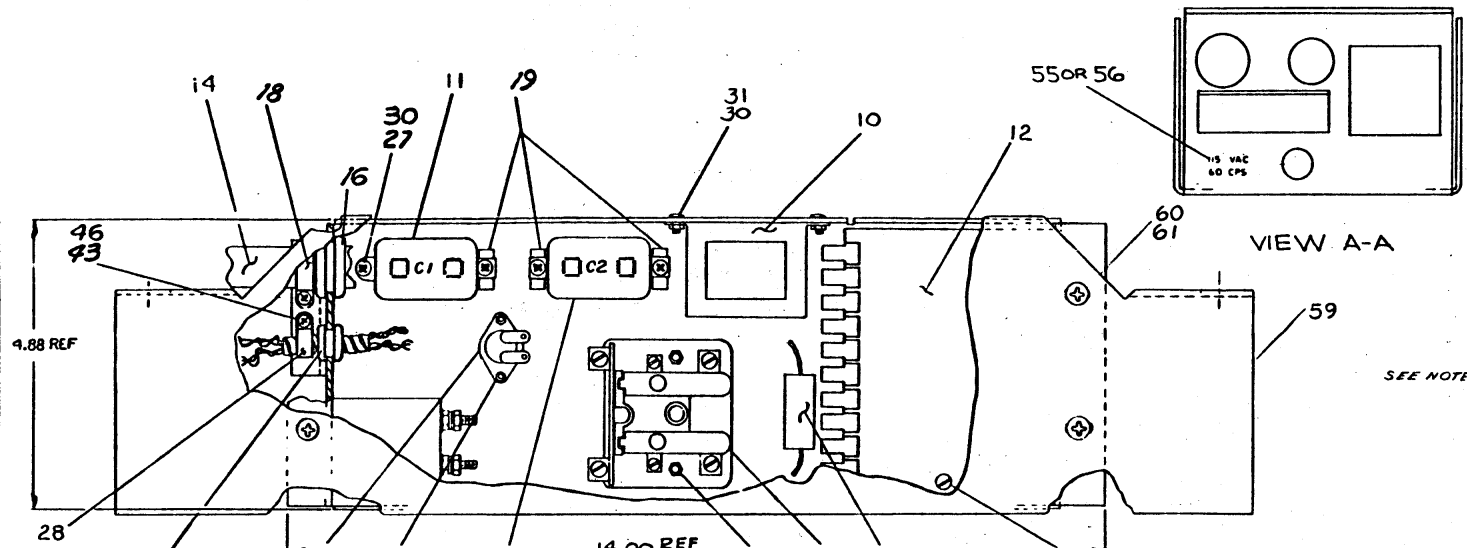
ITEM NO	DESCRIPTION	FROM	TO
10	22 GRN	71	45
10	22 RED	71	CBI-2
10	22 YEL	71	CBI-4

WIRE TABLE #1

ITEM NO	DESCRIPTION	FROM	TO
35	18 WHT	J2-4	6 PC-9
35	18 WHT	J2-5	6 PC-10
10	22 RED	T1	SELF CBI-2 17899
10	22 YEL	T1	SELF CBI-4 17899
10	22 ORN	T1	SELF
10	22 BRN	T1	SELF CBI-4 17899
10	22 GRN	T1	SELF PC-1 17
10	22 GRN	T1	SELF PC-2 17
10	22 BLU	T1	SELF PC-3 17
37	18 BLU	J2-1	6 PC-5 17
37	18 BLU	K1-1	17819 PC-8 49
37	18 BLU	J2-2	6 PC-8 49
36	18 BLK	J2-3	6 PC-4 49
36	18 BLK	GND	49 SOLD
4	22	DI-1	SELF K1-5 20
4	22	DI-2	SELF K1-6 20
14	10 GRN	C01-1	SELF GND 19832
10	10 BLK	C01-2	SELF C1-1 32
10	10 WHT	C01-3	SELF C1-2 32
36	18 BLK	PC-6	17 SOLD PC-7 49
33	10 RED	3	C2-2 32
34	10 WHT	2	C2-1 32
34	10 WHT	2	CBI-2 32, 49, 50
34	10 WHT	2	GND 19832
36	18 BLK	PC-6	17 K1-2 17819
33	10 RED	CBI-4	32, 49, 50 K1-4 32, 49
34	10 WHT	CBI-2	32, 49, 50 K1-3 32, 49
33	10 RED	C2-2	32 K1-6 32, 49
34	10 WHT	C2-1	32 K1-5 32, 49
33	10 RED	CBI-3	32, 49, 50 C1-1 32
34	10 WHT	CBI-1	32, 49, 50 C1-2 32
8	BLK	I1-1	SELF C1-1 17
8	BLK	I1-2	SELF C1-2 17
36	18 BLK	J1-1	7 J1-2 7

NOTES

- FOR 860-A VERSION USE WIRE TABLE #1 FOR 860-B VERSION USE WIRE TABLE #2 FOR THESE CONNECTIONS.
- LABEL ALL CUT LINES WITH POINT DESIGNATIONS SHOWN USING BRADY MARKERS.
- FOR 860-C AND D VERSIONS USE WIRE TABLE #3 FOR REWORK OF 860-A AND B FOR THESE CONNECTIONS.



QTY	DESCRIPTION	PART NO.	REF
4	LOCK WASHER EXT TH #10	9007651	61
4	SCR, PHL PAN HD #2	9006074-1	60
1	BRKT, 860 MOUNTING	5310174	59
1	DECAL	A-DC-531012504	58
1	DECAL	A-DC-531012800	57
1	DECAL	100108-7	56
1	DECAL	100108	55
1	DECAL	A-DC-530826-004	54
1	TWIST-LOC HUBBELL	1204687	53
1	DECAL	A-DC-530199204	52
2	1/8 ANG STRD GRN PVC	9107390-65	51
2	FASTON CONN	9007694	50
3	SOLDERLESS CONN	9007719	49
1	SPRING WRAP TUBING	9007890	48
1	DECAL	A-DC-5301977-004	47
2	WHT KEYS #8-32	9006563	46
1	RED SHRINK TUBING	9107365-02	45
12	FASTON TAB	9007596	44
2	SCR PHL PAN HD #8-32 x 1/2	9006039-1	43
1	THYRECTOR	1102815	42
1	CIRCUIT BREAKER 15A	1201218-1	41
1	CAMP # 12081	1202556	40
1	TWIST-LOCK HUBBELL	1203485	39
1	TEFLON TUBING RED	9107256-02	38
1	1/8 ANG STRD PVC BLU	9107360-66	37
1	1/8 ANG STRD PVC BLK	9107360-00	36
1	1/8 ANG STRD PVC WHITE	9107360-99	35
1	1/8 ANG STRD WHT PVC	9107390-99	34
1	1/8 ANG STRD RED PVC	9107390-22	33
21	SOLDERLESS CONN	9007920	32
4	NUT, KEPS 6-32 SST	9006560	31
11	SCR PHL HD PAN 6-32 x 1/2	9006021-1	30
2	SCR PHL HD PAN 6-32 x 1/4 SST	9006026-1	29
1	CABLE CLAMP 5/16 ID	9007082	28
18	WASHER, INT TOOTH #6 SST	9006633	27
5	SCR PHL HD PAN 6-32 x 1/4 SST	9006020-1	26
2	NUT, HEX 2-56 SST	9006555	25
2	WASHER, INT TOOTH #2 SST	9006631	24
2	SCR PHL HD PAN 2-56 x 1/4 SST	9006001-1	23
1	STANDOFF 6-32 x 1/2	9006851	22
4	STANDOFF 6-32 x 1"	9006862	21
2	SOLDERLESS CONN	9007930	20
3	FASTON TAB APP #1344	9007776	19
1	CABLE CLAMP 3/8 I.D.	9007087	18
14	SOLDERLESS CONN	9001917	17
1	BRUNNET	9008115	16
1	BRUNNET	9007150	15
1	LINE CORD 10/3	9107548	14
1	MATE-N-LOCK HOUSING (MALE)	1209351-06	13
1	PC BOARD	E-34-540170-0-0	12
2	LINE FILTER CAP	1002153	11
1	TRANSFORMER 19V CJ	1610150	10
1	THERMAL SWITCH	1210902	9
1	LAMP #102 0A#	1205303	8
2	MATE-N-LOCK TERM (MALE)	1209378-01	7
5	MATE-N-LOCK TERM (FEMALE)	1209379-01	6
1	MATE-N-LOCK HOUSING (FEMALE)	1209350-06	5
1	THYRECTOR	1100106	4
1	RELAY TYPE PRIDE 30A	1210903	3
1	CIRCUIT BREAKER 30A	201219	2
1	CHASSIS, POWER CONTROL	E-34-530982-0-0	1

REVISIONS

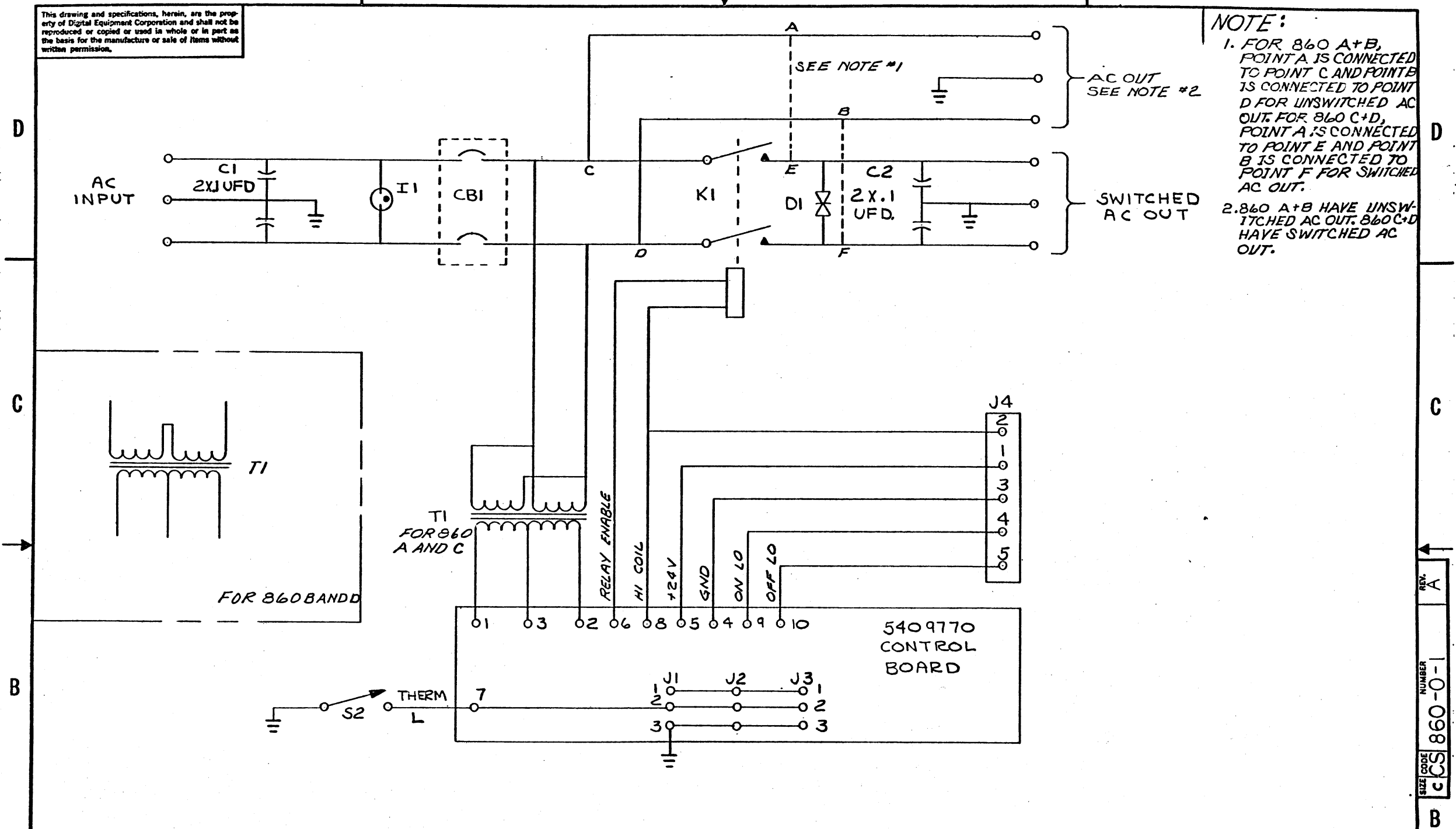
NO	DATE	DESCRIPTION
1	11/27/71	INITIAL DESIGN
2	12/1/71	REVISED TO 115V 60HZ
3	12/1/71	REVISED TO 230V 50HZ
4	12/1/71	REVISED TO 115V 60HZ ALL AC OUT SWITCHED
5	12/1/71	REVISED TO 230V 50HZ ALL AC OUT SWITCHED

CONTROL, POWER

DATE: 11/27/71
 DRAWN: [Signature]
 CHECKED: [Signature]
 TITLE: CONTROL, POWER
 PART NO.: EJA 860-0-0
 SCALE: 1/1
 SHEET: 1 OF 1

This drawing and specifications, herein, are the property of Digital Equipment Corporation and shall not be reproduced or copied or used in whole or in part as the basis for the manufacture or sale of items without written permission.

NOTE:
 1. FOR 860 A+B, POINT A IS CONNECTED TO POINT C AND POINT B IS CONNECTED TO POINT D FOR UNSWITCHED AC OUT. FOR 860 C+D, POINT A IS CONNECTED TO POINT E AND POINT B IS CONNECTED TO POINT F FOR SWITCHED AC OUT.
 2. 860 A+B HAVE UNSWITCHED AC OUT. 860 C+D HAVE SWITCHED AC OUT.



A	BRUNING 40-107 15948	REVISIONS	REV.	A
	CHK	CHANGE NO.	860 - 00001	
		WEEKS	5-17-72	

FIRST USED ON OPTION/MODEL	QTY.	DESCRIPTION	PART NO.	ITEM NO.
11/45				
UNLESS OTHERWISE SPECIFIED DIMENSION IN INCHES. TOLERANCES				
DECIMALS	ANGLES	DRN. <i>K. Davis</i>	DATE 4-10-72	EQUIPMENT CORPORATION MAYNARD MASSACHUSETTS TITLE POWER CONTROL 860
.XXX = .005	±0° 30'	CHK'Y <i>K. Cook</i>	DATE 4/17/72	
.XX = .02		ENG. <i>D. Wick</i>	DATE 4-18-72	
.X = .1		PROJ. ENG. <i>D. Wick</i>	DATE 4-18-72	
REMOVE BURRS AND BREAK SHARP CORNERS SURFACE QUALITY		PROD. <i>R. Martin</i>	DATE 4-21-72	
MATERIAL		NEXT HIGHER ASSY.		
FINISH		B-DD-860-0	SIZE CODE C CS	NUMBER 860-0-1
		SCALE 1-1		REV. A
		SHEET 1 OF 1	DIST.	

REV. A
 NUMBER 860-0-1
 SIZE CODE C CS

