

DRAWING DIRECTORY

CUSTOMER PRINT SET INDEX

THIS IS PRINT SET

SEQUENCE T

SEQUENCE T

DRAWING DIRECTORY- B-DD-860-0
 POWER CONTROL E-UA-860-0-0
 CIRCUIT SCHEMATIC C-CS-860-0-1
 POWER CONTROL BOARD E-IA-5409770-0-0
 CIRCUIT SCHEMATIC C-CS-5409770-0-1

UNIT VARIATIONS		PRINT SET TYPE			
VARIATION	TITLE	860-1			
860-A	POWER CONTROL (115V60HZ)	X			
860-B	POWER CONTROL (230V50HZ)	X			
860-C	POWER CONTROL 115V SWITCHED AC OUT	X			
860-D	POWER CONTROL 230V SWITCHED AC OUT	X			

REVISIONS	DATE	CHG. NO.	REV
	5/7/72	860-00001	A
		860-00002	B
		860-00003	C
		860-00004	D

USED ON OPTION/MODEL	DRN.	DATE	TITLE	SIZE	CODE	NUMBER	REV
11/45	R. COOK	3/21/72	CONTROL, POWER	B	DD	860-0	D
	CHK'D.	DATE					
	R. COOK	3/30/72					
	PROJ ENG	DATE					
	PROD	DATE					
	FIELD SERV.	DATE					
SHEET 1 OF 2				DIST	5		

CUSTOMER PRINT SET					ELECTRICAL					CUSTOMER PRINT SET					MECHANICAL								
360-1					MFG. SET	FIND NO.	DRAWING NO.	REV	NO OF SHT	DESCRIPTION	OPTION NO.	360-1					MFG. SET	FIND NO.	DRAWING NO.	REV	NO OF SHT	DESCRIPTION	OPTION NO.
X						1.	E-UA-860-0-0	C	1	CONTROL, POWER								1.	E-UA-860-0-0	C	1	CONTROL, POWER	
X							C-CS-860-0-1	A	1	CIRCUIT SCHEMATIC									D-MD-5309962-0-0		2	CHASSIS, POWER CONTROL	
																			A-DC-5309977-0-0		1	DECAL 860-A	
																			A-DC-5309977-0-0		1	DECAL 860-A	
																			C-MD-5310174-0-0		1	BRACKET, B50 MOUNTING	
X						2.	E-1A-5409770-0-0	#	1	POWER CONTROL BOARD								2.	E-1A-5409770-0-0		1	POWER CONTROL BOARD	
							K-CO-5409770-0-4		1	X-Y CO-ORDINATE HOLE LOC									K-CC-5409770-0-4		1	X-Y CO-ORDINATE HOLE LOC	
							D-AH-5409770-0-5		1	ASSY/DRILLING HOLE LAYOUT									D-AH-5409770-0-5		1	ASSY/DRILLING HOLE LAYOUT	
X							C-CS-5409770-0-1	#	1	CIRCUIT SCHEMATIC													

TITLE	CONTROL, POWER	SHEET 2 OF 2	SIZE	B	CODE	DD	NUMBER	860-0	REV	D
-------	----------------	--------------	------	---	------	----	--------	-------	-----	---

The Electrician should refer to the applicable section of the Electrical Code and the applicable section of the National Electrical Code for the requirements of any of the wiring methods shown.

LEGEND

NUMBER	VARIATION
860-A	115 V 60 HZ
860-B	230V 50 HZ
860-C	115 V 60 HZ ALL AC OUT SWITCHED
860-D	230V 50 HZ ALL AC OUT SWITCHED

WIRE TABLE #3

ITEM NO	DESCRIPTION	FROM	TO
33	10 RED	3	C2-2
34	10 WHT	2	C2-1
51	51 GRN	1	GND

WIRE TABLE #2

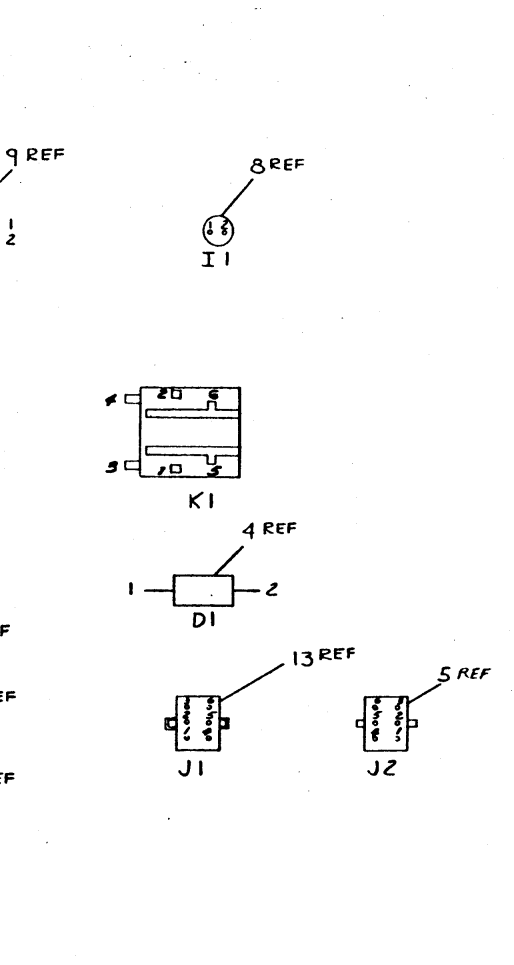
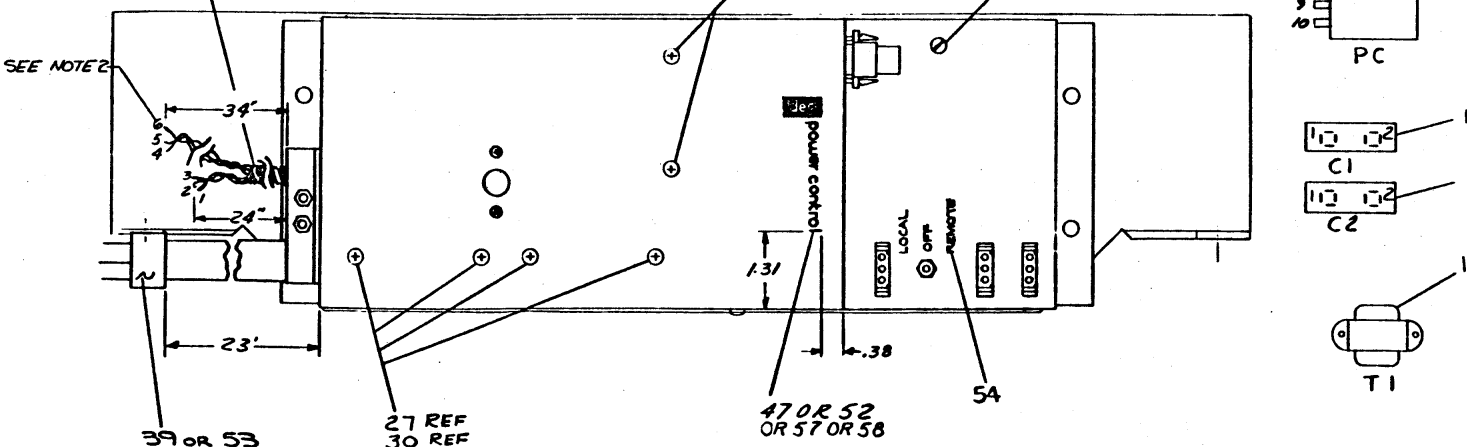
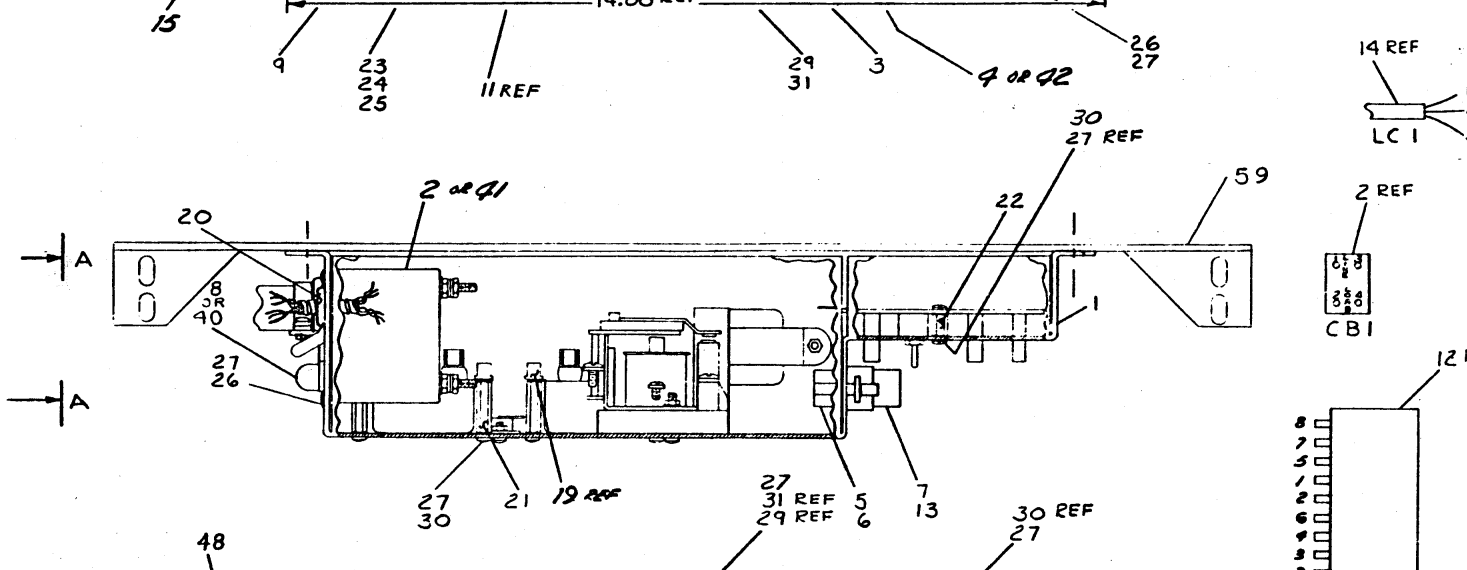
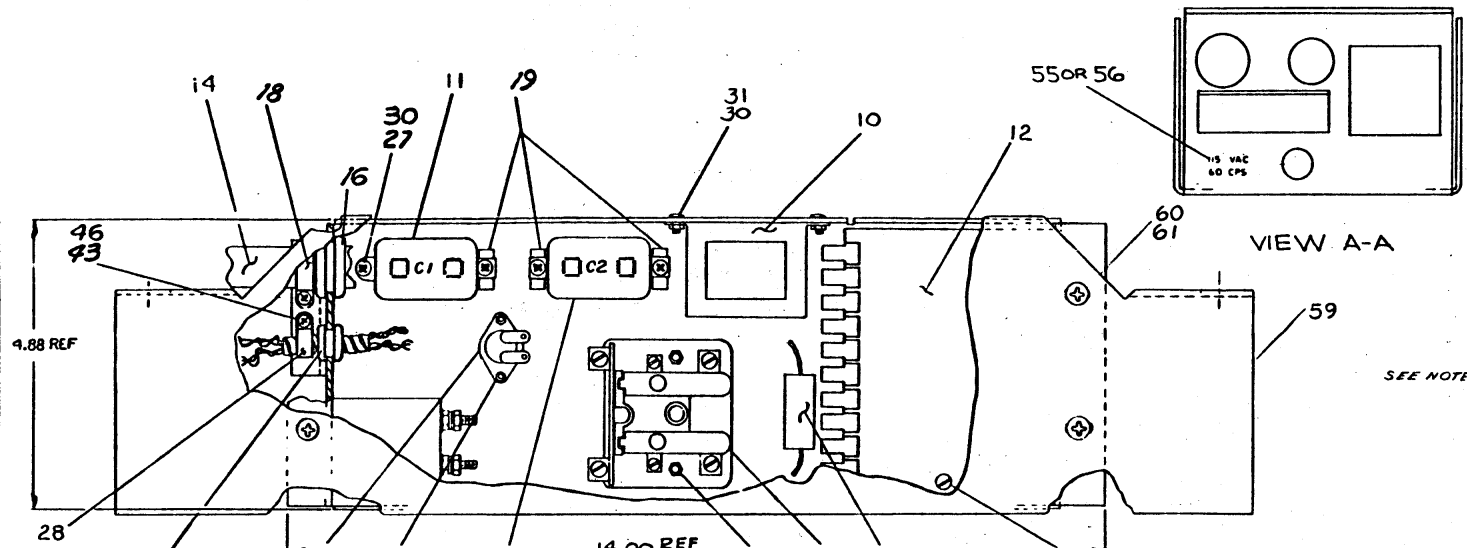
ITEM NO	DESCRIPTION	FROM	TO
10	22 GRN	71	45
10	22 RED	71	CBI-2
10	22 YEL	71	CBI-4

WIRE TABLE #1

ITEM NO	DESCRIPTION	FROM	TO
35	18 WHT	J2-4	6 PC-9
35	18 WHT	J2-5	6 PC-10
10	22 RED	T1	SELF CBI-2 17899
10	22 YEL	T1	SELF CBI-4 17899
10	22 ORN	T1	SELF
10	22 BRN	T1	SELF CBI-4 17899
10	22 GRN	T1	SELF PC-1 17
10	22 GRN	T1	SELF PC-2 17
10	22 BLU	T1	SELF PC-3 17
37	18 BLU	J2-1	6 PC-5 17
37	18 BLU	K1-1	1719 PC-8 49
37	18 BLU	J2-2	6 PC-8 49
36	18 BLK	J2-3	6 PC-4 49
36	18 BLK	GND	49 SOLD
4	22	DI-1	SELF K1-5 20
4	22	DI-2	SELF K1-6 20
14	10 GRN	C01-1	SELF GND 1932
10	10 BLK	C01-2	SELF C1-1 32
10	10 WHT	C01-3	SELF C1-2 32
36	18 BLK	PC-6	17 SOLD PC-7 49
33	10 RED	3	C2-2 32
34	10 WHT	2	C2-1 32
34	10 WHT	2	CBI-2 32, 49, 50
34	10 WHT	2	GND 1932
36	18 BLK	PC-6	17 K1-2 17899
33	10 RED	CBI-4	32, 49, 50 K1-4 32, 49
34	10 WHT	CBI-2	32, 49, 50 K1-3 32, 49
33	10 RED	C2-2	32 K1-6 32, 49
34	10 WHT	C2-1	32 K1-5 32, 49
33	10 RED	CBI-3	32, 49, 50 C1-1 32
34	10 WHT	CBI-1	32, 49, 50 C1-2 32
8	BLK	I1-1	SELF C1-1 17
8	BLK	I1-2	SELF C1-2 17
36	18 BLK	J1-1	7 J1-2 7

NOTES

- FOR 860-A VERSION USE WIRE TABLE #1 FOR 860-B VERSION USE WIRE TABLE #2 FOR THESE CONNECTIONS.
- LABEL ALL CUT LINES WITH POINT DESIGNATIONS SHOWN USING BRADY MARKERS.
- FOR 860-C AND D VERSIONS USE WIRE TABLE #3 FOR REWORK OF 860-A AND B FOR THESE CONNECTIONS.



QTY	DESCRIPTION	PART NO.	REF
4	LOCK WASHER EXT TH #10	9007651	61
4	SCR, PHL PAN HD #2	9006074-1	60
1	BRKT, 860 MOUNTING	5310174	59
1	DECAL	A-DC-531012504	58
1	DECAL	A-DC-531012800	57
1	DECAL	100108-7	56
1	DECAL	100108	55
1	DECAL	A-DC-530826-004	54
1	TWIST-LOC HUBBELL	1204687	53
1	DECAL	A-DC-530199204	52
2	1/8 ANG STRD GRN PVC	9107390-65	51
2	FASTON CONN	9007694	50
3	SOLDERLESS CONN	9007719	49
1	SPRING WRAP TUBING	9007890	48
1	DECAL	A-DC-5301977-004	47
2	WT KEYS #8-32	9006563	46
1	RED SHRINK TUBING	9107365-02	45
12	FASTON TAB	9007596	44
2	SCR PHL PAN HD #8-32 x 1/2	9006039-1	43
1	THYRECTOR	1102815	42
1	CIRCUIT BREAKER 15A	1201218-1	41
1	CAMP #12081	1202556	40
1	TWIST-LOCK HUBBELL	1203485	39
1	TEFLON TUBING RED	9107256-02	38
1	1/8 ANG STRD PVC BLU	9107360-66	37
1	1/8 ANG STRD PVC BLK	9107360-00	36
1	1/8 ANG STRD PVC WHITE	9107360-99	35
1	1/8 ANG STRD WHT PVC	9107390-99	34
1	1/8 ANG STRD RED PVC	9107390-22	33
21	SOLDERLESS CONN	9007920	32
4	NUT, KEPS 6-32 SST	9006560	31
11	SCR PHL HD PAN 6-32 x 1/2	9006021-1	30
2	SCR PHL HD PAN 6-32 x 1/4 SST	9006026-1	29
1	CABLE CLAMP 5/16 ID	9007082	28
18	WASHER, INT TOOTH #6 SST	9006633	27
5	SCR PHL HD PAN 6-32 x 1/4 SST	9006020-1	26
2	NUT, HEX 2-56 SST	9006555	25
2	WASHER, INT TOOTH #2 SST	9006631	24
2	SCR PHL HD PAN 2-56 x 1/4 SST	9006001-1	23
1	STANDOFF 6-32 x 1/2	9006851	22
4	STANDOFF 6-32 x 1"	9006862	21
2	SOLDERLESS CONN	9007930	20
3	FASTON TAB APP #1344	9007776	19
1	CABLE CLAMP 3/8 ID	9007087	18
14	SOLDERLESS CONN	9001917	17
1	BRUNNET	9008115	16
1	BRUNNET	9007150	15
1	LINE CORD 10/3	9107548	14
1	MATE-N-LOCK HOUSING (MALE)	1209351-06	13
1	PC BOARD	E-34-540170-0-02	12
2	LINE FILTER CAP	1002153	11
1	TRANSFORMER 19V CJ	1610150	10
1	THERMAL SWITCH	1210902	9
1	LAMP #102 0A#	1205303	8
2	MATE-N-LOCK TERM (MALE)	1209378-01	7
5	MATE-N-LOCK TERM (FEMALE)	1209379-01	6
1	MATE-N-LOCK HOUSING (FEMALE)	1209350-06	5
1	THYRECTOR	1100106	4
1	RELAY TYPE PRIDE 30A	1210903	3
1	CIRCUIT BREAKER 30A	201219	2
1	CHASSIS, POWER CONTROL	E-34-530482-0-0	1

REV	DATE	DESCRIPTION
1	11/27/71	INITIAL DESIGN
2	12/1/71	REVISED TO ADD WIRE TABLES
3	12/1/71	REVISED TO ADD PARTS LIST
4	12/1/71	REVISED TO ADD DIMENSIONS
5	12/1/71	REVISED TO ADD MATERIALS
6	12/1/71	REVISED TO ADD FINISHES
7	12/1/71	REVISED TO ADD TOLERANCES
8	12/1/71	REVISED TO ADD UNLESS OTHERWISE SPECIFIED

11/45

DATE: 11-27-71

CONTROL, POWER

860-0-0

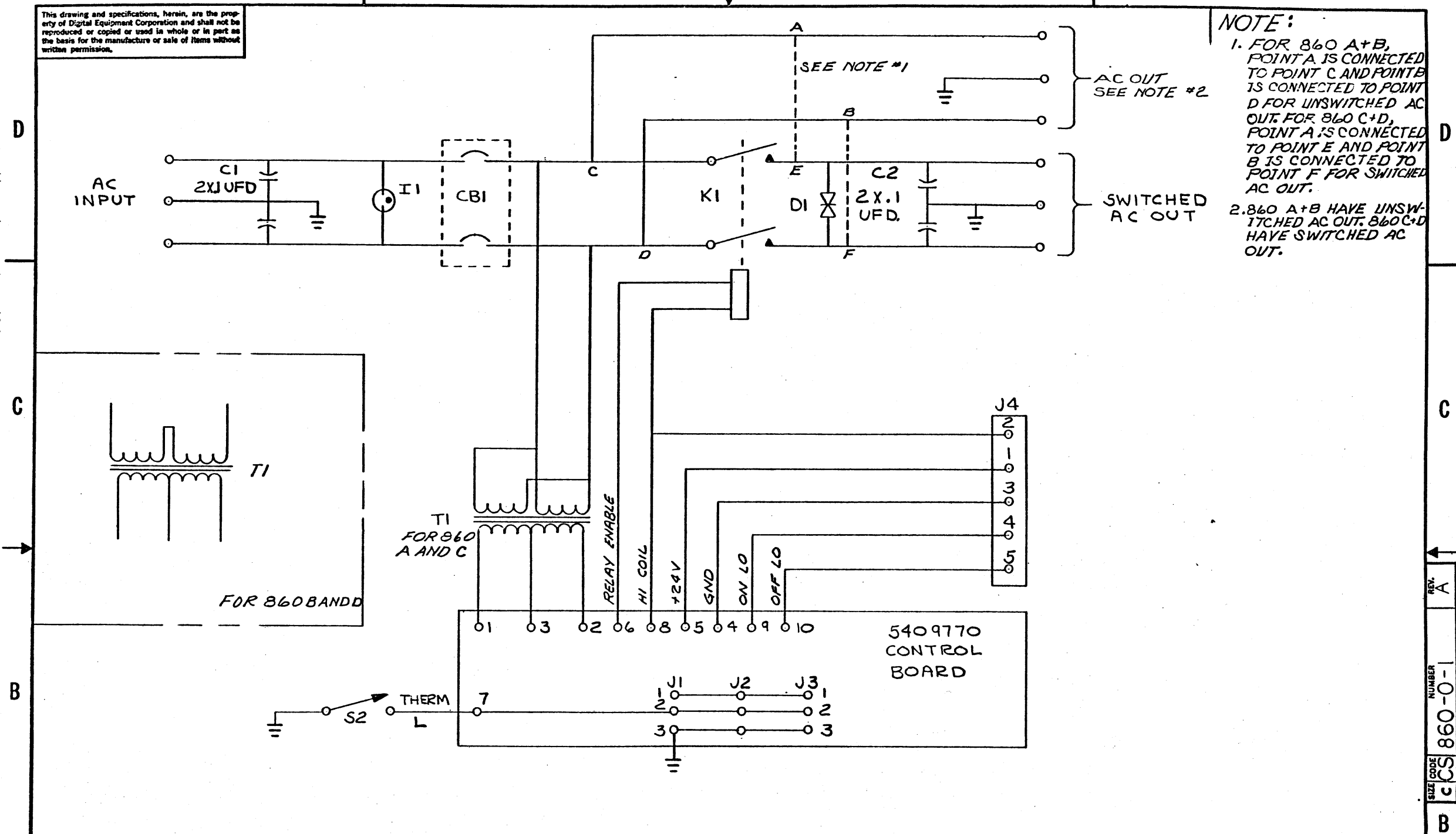
SCALE: 1/1

SHEET: 1 OF 1

This drawing and specifications, herein, are the property of Digital Equipment Corporation and shall not be reproduced or copied or used in whole or in part as the basis for the manufacture or sale of items without written permission.

NOTE:

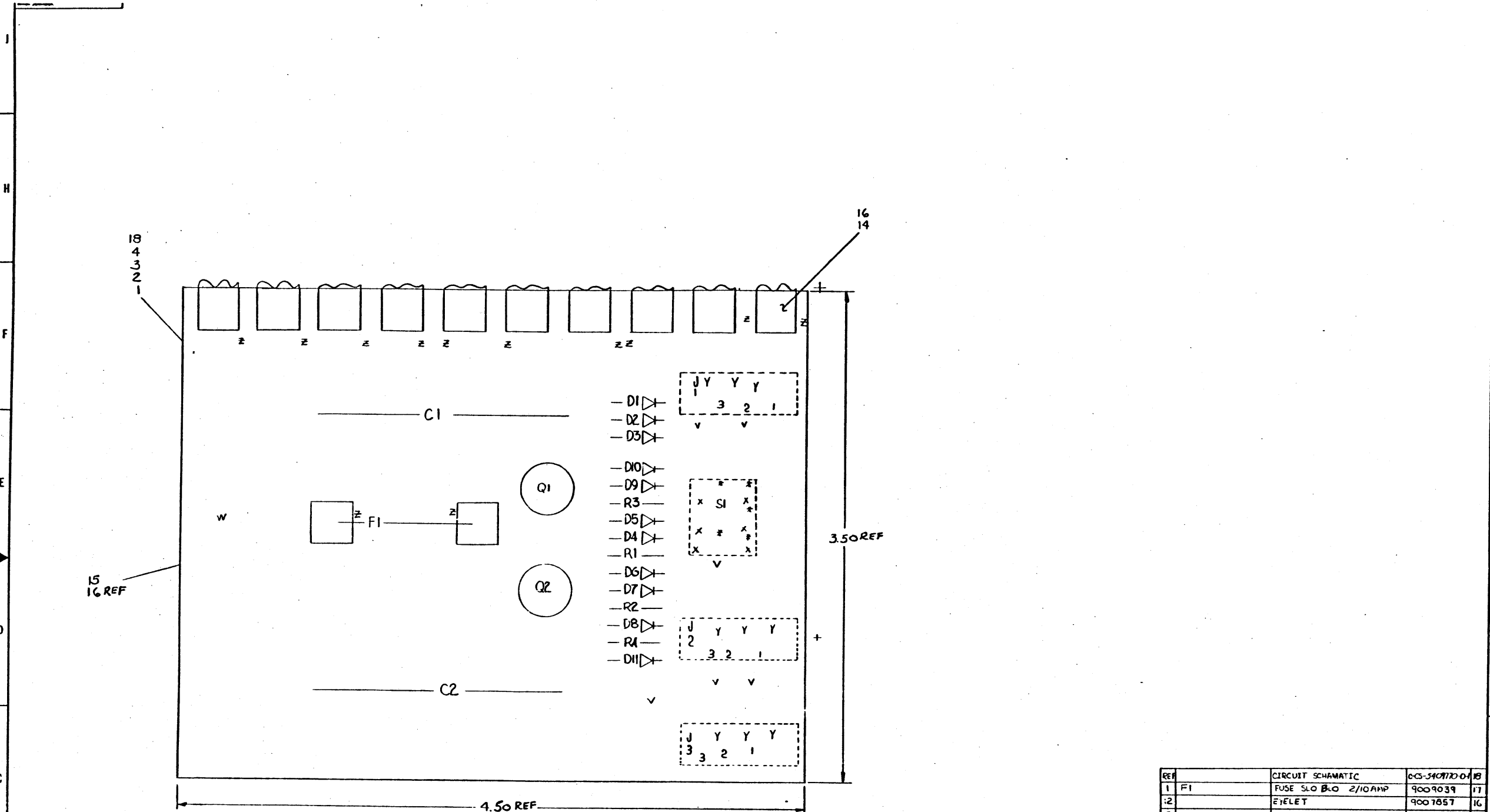
- FOR 860 A+B, POINT A IS CONNECTED TO POINT C AND POINT B IS CONNECTED TO POINT D FOR UNSWITCHED AC OUT. FOR 860 C+D, POINT A IS CONNECTED TO POINT E AND POINT B IS CONNECTED TO POINT F FOR SWITCHED AC OUT.
- 860 A+B HAVE UNSWITCHED AC OUT. 860 C+D HAVE SWITCHED AC OUT.



A	BRUNING 40-107 15948	REVISIONS	WEEKS
	CHK	CHANGE NO.	860-00001
	REV.	NO.	A
	DATE	5-17-72	

FIRST USED ON OPTION/MODEL 11/45	QTY.	DESCRIPTION	PART NO.	ITEM NO.
PARTS LIST				
UNLESS OTHERWISE SPECIFIED DIMENSION IN INCHES. TOLERANCES	DRN. <i>K. Davis</i>	DATE 4-10-72	DIGITAL EQUIPMENT CORPORATION MAYNARD MASSACHUSETTS	
DECIMALS .XXX = .005 .XX = .02 .X = .1	CHK'Y. <i>K. Cook</i>	DATE 4/17/72	TITLE POWER CONTROL 860	
ANGLES ±0° 30'	ENG. <i>D. Wick</i>	DATE 4-18-72	SIZE CODE NUMBER REV. CCS 860-0-1 A	
REMOVE BURRS AND BREAK SHARP CORNERS SURFACE QUALITY	PROJ. ENG. <i>D. Wick</i>	DATE 4-18-72	SCALE + +	
MATERIAL + +	PROD. <i>R. Martin</i>	DATE 4-21-72	SHEET 1 OF 1	
FINISH + +	NEXT HIGHER ASSY. B-DD-860-0		DIST.	

REV. A
NUMBER 1
SIZE CODE CCS 860-0-1

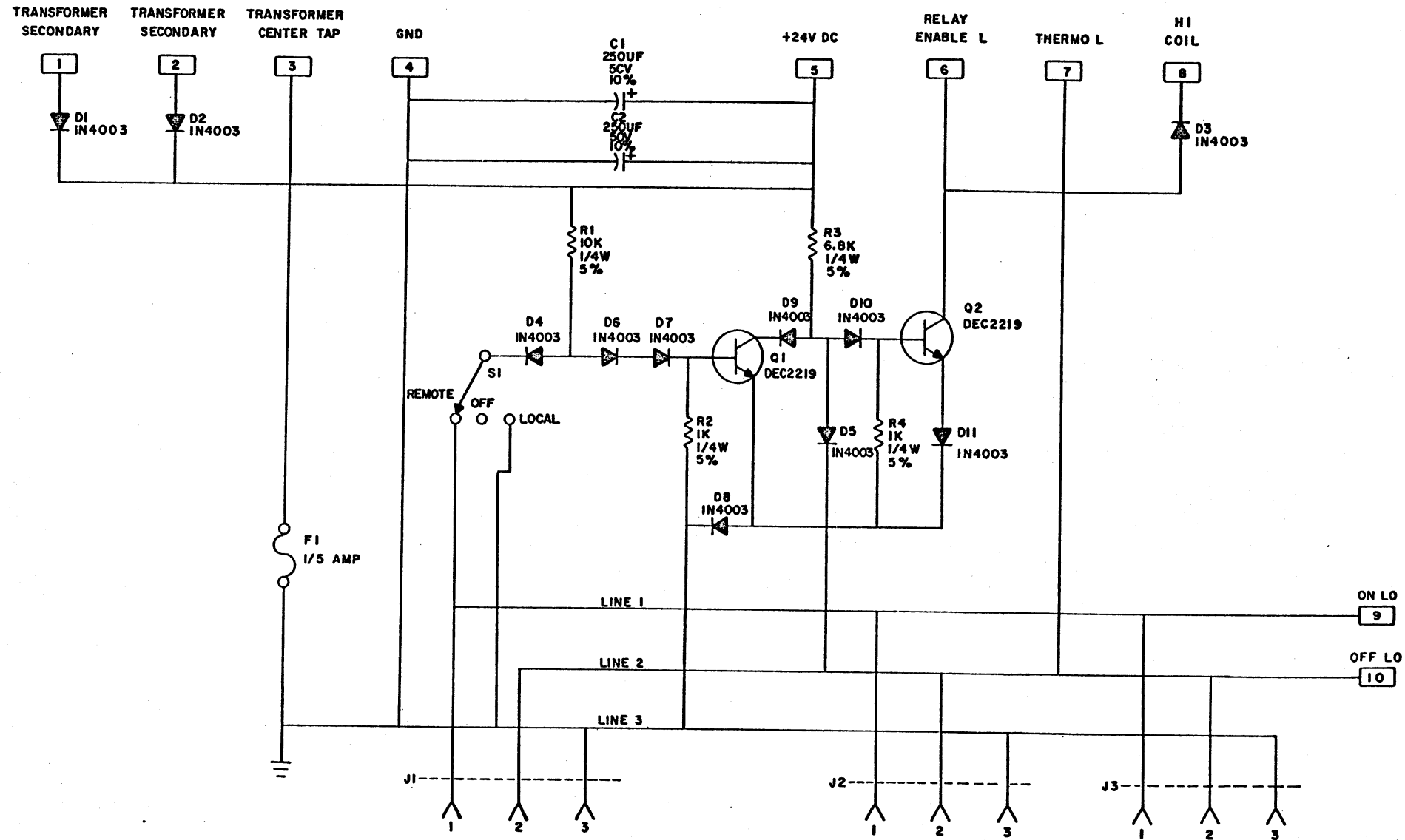


IC TYPE	CVD	+5V	ITEM NO.	AWG	FROM PT	TO PT
GND AND 5V ARE USUALLY ON 7 AND 14 RESPECTIVELY EXCEPTS ARE STATED ABOVE						
IC PIN LOCATIONS						
JUMPER LIST						

REF	CIRCUIT SCHEMATIC	CC-5409770-04	18
1	F1	FUSE SLO BLO 2/10AMP	9009039
2	F1ELET	FUSELET	9007857
10		FUSEHOLDER	9007203
9		FASTON TAB	9007112
3	J1,J2,J3	SOCKET,TERMINAL CONTACT	1209379-01
2	Q1,Q2	MATE-N-LOCK CONNECTOR (FEMALE)	1209350-03
1	R3	TRANSISTOR 2N2219	1501881
1	R1	RESISTOR 6.8K, 1/4W, 5%	1301423
2	R2,R4	RESISTOR 10K, 1/4W, 5%	1300479
1	D1	RESISTOR 1K, 1/4W, 5%	1300365
11	D1 THRU D11	DIODE 1N4003	1209593
2	C1,C2	SWITCH	1103448
1		CAPACITOR 250uF, 50V, 10%	1010192
REF		ETCHED CIRCUIT BOARD	5009769
REF		MODULE ECO HISTORY	54M-5409770-6
REF		ASSY/DRILLING HOLE LAYOUT	54M-5409770-5
REF		X-Y COORDINATE HOLE LOCATION	CCO-5409770-4

DATE: 7-8-72
 DESIGNED: [Signature]
 DRAWN: [Signature]
 CHECKED: [Signature]
 APPROVED: [Signature]
 TITLE: POWER CONTROL BOARD
 EQUIPMENT CORPORATION
 SEMICONDUCTOR CONVERSION CHART
 DEC NO: 2219 EIA NO: 2N2219
 SCALE: 3/1
 SHEET: 1 OF 1
 PART NO: 5409770-0-0
 DIST: B

THIS SCHEMATIC IS FURNISHED ONLY FOR TEST AND MAINTENANCE PURPOSES. THE CIRCUITS ARE PROPRIETARY IN NATURE AND SHOULD BE TREATED ACCORDINGLY. COPYRIGHT 1972 BY DIGITAL EQUIPMENT CORPORATION



NOTE:

1. J1, J2, J3 ARE PARALLELED CONNECTORS USED IN 860 POWER CONTROL.
2. TABS 1 THRU 10 ARE FASTON TABS FOR INTERNAL WIRING OF 860 POWER CONTROL.

REV.	CHG	NO.	REV.
1	1	1	1
2	1	1	1
3	1	1	1

DEC FORM NO. DRC 102

DRN S. COOPER	DATE 2/4/72
CHKD J. Edinger	DATE 2-10-72
DATE 3-23-72	
DATE 3-31-72	

TRANSISTOR & DIODE CONVERSION CHART			
DEC	EIA	DEC	EIA
IN4003	MR 2064	DEC2219	2N2219



TITLE
POWER CONTROL BD.

SIZE	CODE	NUMBER	REV.
C	CS	5409770-0-1	B
PRINTED CIRCUIT REV.			B

SIZE CODE NUMBER REV.
 C CS 5409770-0-1 B