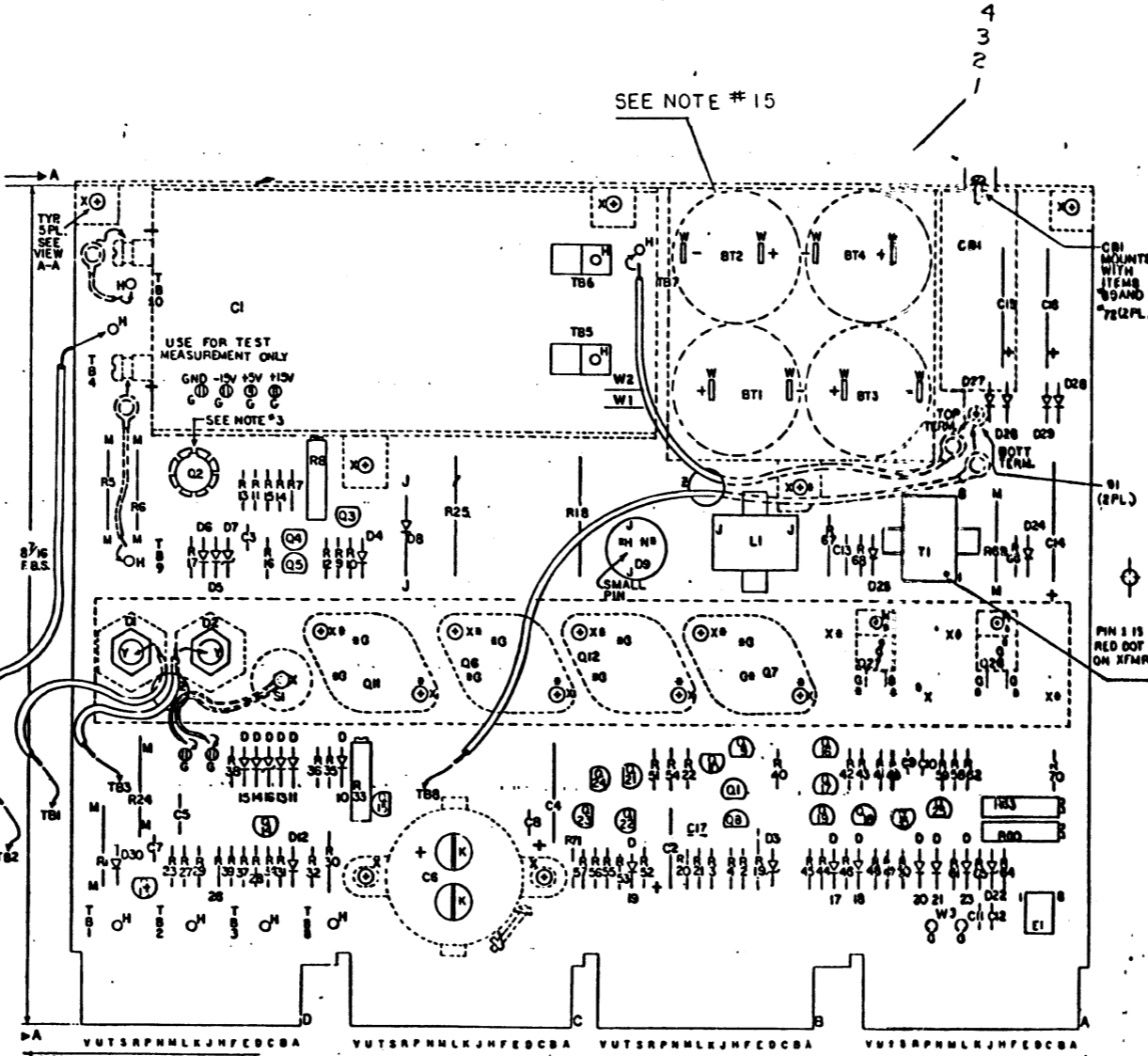
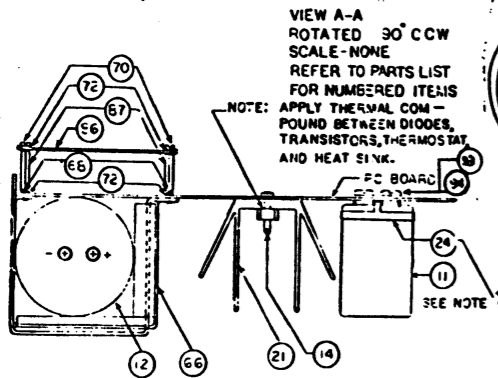


THIS DRAWING AND SPECIFICATIONS HEREIN ARE THE PROPERTY OF DIGITAL EQUIPMENT CORPORATION AND SHALL NOT BE REPRODUCED OR COPIED OR USED IN WHOLE OR IN PART AS THE BASIS FOR THE MANUFACTURE OR SALE OF ITEMS WITHOUT WRITTEN PERMISSION. COPYRIGHT © 1974, DIGITAL EQUIPMENT CORPORATION.

NOTES:

- 1. TRANSISTOR DEC 2N5302, 1510196 MAY BE USED AS A SECOND SOURCE FOR ITEM # 62. TRANSISTOR DEC D44HB 1511654.
 - 2. ALL COMPONENTS SHOWN BY A BROKEN LINE MOUNT ON SIDE 2.
 - 3. TRANSISTOR PAD MOUNTS UNDER Q2, AND HEAT SINK MOUNTS ON Q2. REFER TO PARTS LIST, ITEM # 25 AND # 77.
 - 4. ITEM # 24 BRKT. IS MOUNTED ON BOARD WITH ITEM # 68, 73, AND # 81 (2 PL.).
 - 5. Q6, Q7, Q11 AND Q12 ARE MOUNTED WITH ITEM # 73, 78 AND # 81 (8 PL.).
 - 6. S1 MOUNTS WITH ITEM # 73 AND # 81 (1 PLACE).
 - 7. Q26 AND Q27 ARE MOUNTED WITH ITEM # 73, # 71 AND # 74 (2 PLACES).
- 9. PHYSICAL IS MADE IN REVERSE, SIDE 1 IS LIGHT, SIDE 2 IS DARK.
 - 10. INSERT JUMPER W3 FOR 220V OPERATION.
 - 11. JUMPERS W1, W2 SHOULD BE INSTALLED AFTER TEST.
- ~~12. DIODES TO MOUNT TO 20-18 IN.~~
~~13. S1, Q26, Q27 TORQUE 1/4 IN.~~
~~14. Q6, Q7, Q11 TORQUE 1/4 IN.~~
- 15. FOR HANDLING AND SOLDERING REQUIREMENTS OF 1211670 LEAD ACID BATTERIES (ITEM # 23) SEE A-SP-7665252-D-O.



BELOW IS LISTED TORQUE VALUES TO BE USED IN ASSEMBLY:

SIZE OF SCREW	INCH/LB
10-32 SCREWS... SECURING PC BOARD TO C6	14
10-32 SCREWS... SECURING THE CRIMPS TO C1	14
6-32 SCREWS... HOLDING PC BOARD TO THE CHASSIS	14
6-32 SCREWS... ON THE TRANSISTORS Q6, Q7, Q11, Q12	14
4-40 SCREWS... ON THE TRANSISTORS Q26, Q27	10
NUTS... HOLDING THE DIODES D1 & D2	20
NUT... HOLDING THERMOSTAT, S1	20
6-32 SCREWS... HOLDING THE CIRCUIT BREAKER TO CHASSIS	14
6-32 SCREWS... HOLDING BATTERY SHIELD TO CHASSIS	14
6-32 SCREWS... HOLDING CRIMPS TO CIRCUIT BREAKER	14

NOTE:

TO ACHIEVE TRUE TORQUE READINGS, ALWAYS USE A NUT DRIVER ON ONE SIDE AND A TORQUE DRIVER ON THE OTHER WHERE A SCREW AND A KEP NUT ASSEMBLY IS INVOLVED.
 Q.C. TOLERANCE: INSPECT TO MINUS (-) 2 IN/LB OF ASSEMBLED TORQUE VALUES.

REF	X-Y COORDINATE HOLE LOCATION	K-CO-G0816-0-4		
REF	ASSY/DRILLING HOLE LAYOUT	D-AH-G0816-0-3	2	
REF	MODULE ECO HISTORY	B-MH-G0816-0-0	3	
1	ETCHED CIRCUIT BOARD	D-1A-S00984-0-0	4	
2	C5, C13	CAP .1 UF 100V 20% DISC	5	
1	C4	CAP 100 UF 6V 20% STANT	6	
5	C3, C9, C10, C11, C12	CAP .01 UF 100V 20% DISC	7	
3	C14, C15, C16	CAP 100 UF 25V -10% + 75% ELECT	8	
1	C2	CAP 22 UF 6V 10% STANT	9	
2	C7, C8	CAP .22 UF 50V -20% + 80% CER	10	
1	C8	CAP 8000 UF 10V -10% + 75% ELECT	11	
1	C1	CAP .1UF 10V	12	
7	D5, D6, D11, D12, D13, D14, D15	DIODE D682	13	
2	D1, D2	DIODE 1N1103	14	
10	D10, D17, D18, D19, D20, D21, D23, D24, D25, D30	DIODE D672	15	
5	D4, D26, D27, D28, D29	DIODE 1N4004	16	
1	D8	DIODE M752	17	
2	D7, D22	DIODE 1N751A ZENER	18	
2	D3, D16	DIO 5 SCREENED 5.7V 2% ZENER	19	
1	S1	THERMOSTAT	20	
1		HEAT SINK	21	
1	CB1	CIRCUIT BREAKER 25A	22	
4	B1, B2, B3, B4	BATTERIES D-CELL	23	
1		CRACKET	24	
1		HEAT SINK T-05 TRANSISTOR MOUNTED	25	
3	R5, R6, R69	RES. 10 1W 5%	26	
2	R29, R42	RES. 47 1/4W 5%	27	
1	R1	RES. 100 1W 5%	28	
7	R71, R4, R22, R26, R39, R50, R57	RES. 100 1/4W 5%	29	
2	R12, R47	RES. 120 1/4W 5%	30	
2	R27, R43	RES. 150 1/4W 5%	31	
4	R10, R17, R28, R54	RES. 220 1/4W 5%	32	
5	R3, R15, R37, R64, R36	RES. 330 1/4W 5%	33	
13	R11, R13, R20, R21, R35, R40, R41, R48, R52, R55, R66, R68, R70	RES. 1K 1/4W 5%	34	
2	R14, R58	RES. 1.5K 1/4W 5%	35	
8	R23, R44, R45, R46, R51, R65	RES. 3.3K 1/4W 5%	36	
1	R38	RES. 10 1/4W 5%	37	
1	R49	RES. 100 1/4W 5%	38	
1	R2	RES. 82 1/4W 5%	39	
1	R19	RES. 56 3W 5%	40	
2	R16, R62	RES. 511 1/4W 1% MF	41	
1	R24	RES. 56 2W 5%	42	
1	R34	RES. 100 1/8W 1% MF	43	
1	R7	RES. 1.21K 1/8W 1% MF	44	
1	R31	RES. 198 1/4W 1% MF	45	
1	R59	RES. 464 1/4W 1% MF	46	
2	R18, R25	RES. 1 5W 10% WW	47	
1	R32	RES. 1.96K 1/4W 1% MF	48	
2	R9, R61	RES. 383 1/4W 1% MF	49	
1	R53	RES. 27K 1/4W 5%	50	
3	R8, R33, R60	RES. 100 3/4W 10% POT 76 PR	51	
1	R63	RES. 5K 3/4W 10% POT 76 PR	52	
QTY	REF DESIGNATION	DESCRIPTION	PART NO.	TEM NO.

FIRST USED ON OPTION MODEL
PDP8A

ETCH BOARD REV E PARTS LIST

72741	4	7
IC TYPE	GND	+5V
GND AND 5V ARE USUALLY PIN 7 AND 14 RESPECTIVELY EXCEPTIIONS ARE STATED ABOVE		
IC PIN LOCATIONS		

REV	DATE	BY	CHK	CHANGE NO
1	11/17/74	L. MITCHELL		
2	11/20/74	A. DELUCA		
3	12-11-76	J. CALVERTON		
4	01-13-78	A. DELUCA		
5	01-13-78	A. DELUCA		
6	01-13-78	A. DELUCA		
7	01-13-78	A. DELUCA		
8	01-13-78	A. DELUCA		
9	01-13-78	A. DELUCA		
10	01-13-78	A. DELUCA		
11	01-13-78	A. DELUCA		
12	01-13-78	A. DELUCA		
13	01-13-78	A. DELUCA		
14	01-13-78	A. DELUCA		
15	01-13-78	A. DELUCA		
16	01-13-78	A. DELUCA		
17	01-13-78	A. DELUCA		
18	01-13-78	A. DELUCA		
19	01-13-78	A. DELUCA		
20	01-13-78	A. DELUCA		
21	01-13-78	A. DELUCA		
22	01-13-78	A. DELUCA		
23	01-13-78	A. DELUCA		
24	01-13-78	A. DELUCA		
25	01-13-78	A. DELUCA		
26	01-13-78	A. DELUCA		
27	01-13-78	A. DELUCA		
28	01-13-78	A. DELUCA		
29	01-13-78	A. DELUCA		
30	01-13-78	A. DELUCA		
31	01-13-78	A. DELUCA		
32	01-13-78	A. DELUCA		
33	01-13-78	A. DELUCA		
34	01-13-78	A. DELUCA		
35	01-13-78	A. DELUCA		
36	01-13-78	A. DELUCA		
37	01-13-78	A. DELUCA		
38	01-13-78	A. DELUCA		
39	01-13-78	A. DELUCA		
40	01-13-78	A. DELUCA		
41	01-13-78	A. DELUCA		
42	01-13-78	A. DELUCA		
43	01-13-78	A. DELUCA		
44	01-13-78	A. DELUCA		
45	01-13-78	A. DELUCA		
46	01-13-78	A. DELUCA		
47	01-13-78	A. DELUCA		
48	01-13-78	A. DELUCA		
49	01-13-78	A. DELUCA		
50	01-13-78	A. DELUCA		
51	01-13-78	A. DELUCA		
52	01-13-78	A. DELUCA		

digital EQUIPMENT CORPORATION
 H763 REGULATOR BOARD
 SEMICONDUCTOR CONVERSION CHART
 DEC NO. EIA NO. DEC NO. EIA NO.
 SCALE 1 OF 3
 SHEET 1 OF 3

"THIS DRAWING AND SPECIFICATIONS, HEREIN, ARE THE PROPERTY OF DIGITAL EQUIPMENT CORPORATION AND SHALL NOT BE REPRODUCED OR COPIED OR USED IN WHOLE OR IN PART AS THE BASIS FOR THE MANUFACTURE OR SALE OF ITEMS WITHOUT WRITTEN PERMISSION. COPYRIGHT © 1974, DIGITAL EQUIPMENT CORPORATION"

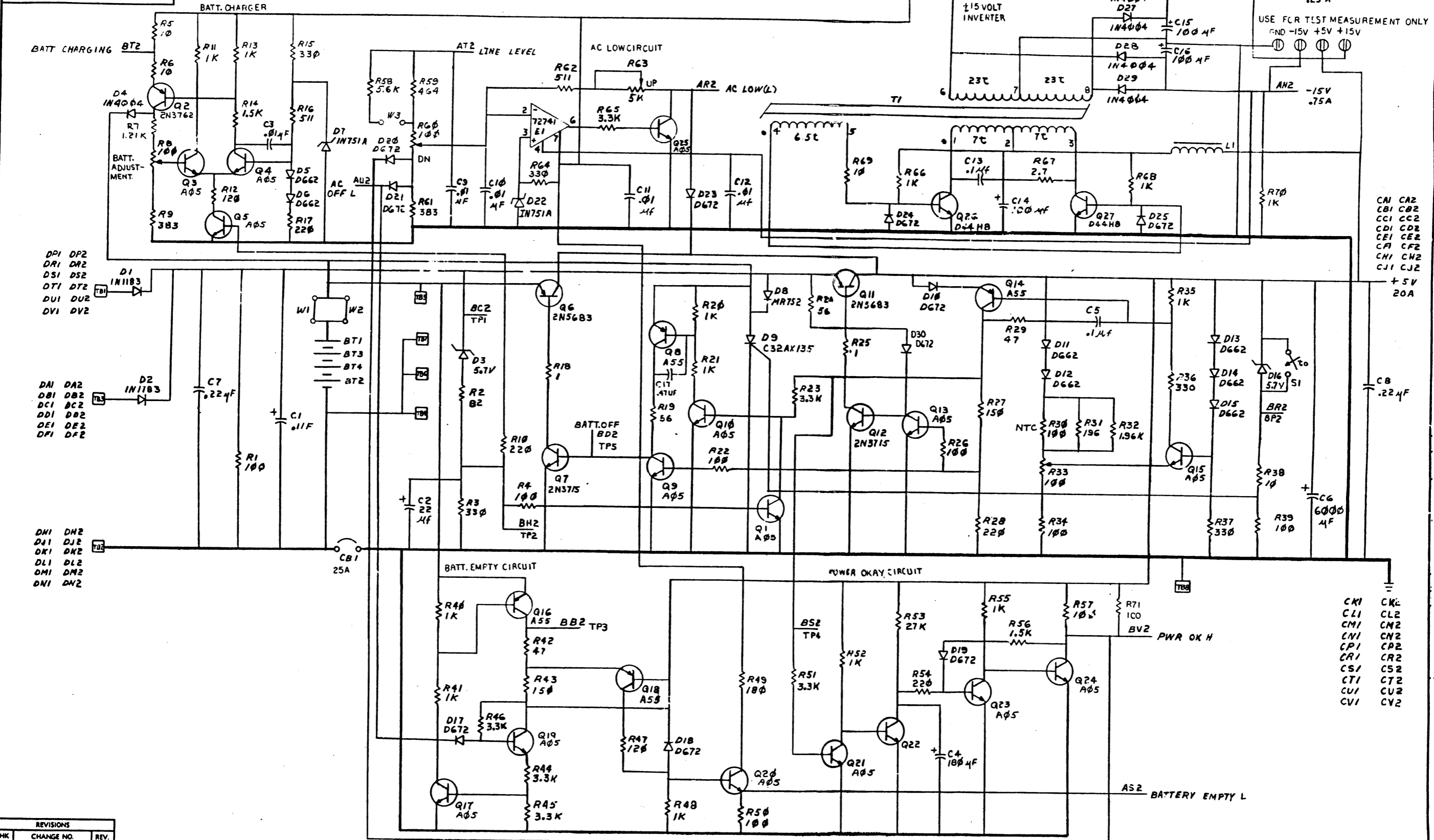
WIRE TABLE				
PART NO.	FROM	TO	TERMINATION	WIRE LENGTH
91-07380-22	TB1	D1	SOLDER AT D1 END. SOLDER AT TB1 END	5.00
91-07380-22	TB3	D2	SOLDER AT D2 END. TAB AT TB3 END	5.00
91-07380-00	TB2	TB4	SOLDER AT TB2 END SOLDER AT TB4 END	7.00
91-07380-00	+ TERMINAL OF C1	TB7 HOLE	SOLDER WIRE AT HOLE END TB9. SOLDERLESS CONNECTOR AT C1 END 90-07926	2.50
91-07380-00	- TERMINAL OF C1	TB10 HOLE	SOLDER WIRE AT HOLE END TB10. SOLDERLESS CONNECTOR AT C1 END 90-07926	1.25
91-07380-00	TB7	TOP TERMINAL OF CBI	SOLDER AT TB7 END. SOLDERLESS CONNECTOR AT CBI END 90-07926	7.00
91-07380-00	TB8	BOTTOM TERMINAL OF CBI	SOLDER AT TB8 END. SOLDERLESS CONNECTOR AT CBI END 90-07926	11.25
91-07350-22	S1	SPLIT LUG	SOLDER AT SPLIT LUG END	4.00
	S1	SPLIT LUG	SOLDER AT S1 END	4.00

QTY	REF	DESIGNATION	DESCRIPTION	PART NO	REV.
1	R30		RES. 100 1/2W NTC	1311760	53
1	R67		RES. 2.7 1/2W 10%	1309444	54
2	Q7,Q12		TRANS. DEC 2N3715	1503068	55
1	Q2		TRANS. 2N3762	1509649-01	52
16	Q1,Q3,Q4,Q5,Q9,Q10,Q13,Q15,Q17,Q19,Q20,Q21,Q22,Q23,Q24,C25		TRANS. DEC A05	1510705	57
1	R50		RES. 5.6K, 1/4W, 5%	1301874	58
4	Q8,Q14,Q16,Q18		TRANS. DEC A55	1510708	59
1	D9		DIODE SCR C32AX135	1510928	60
2	Q6,Q11		TRANS. 2N5683	1511647	61
2	Q26,Q27		TRANS. D44H8	1510707-01	62
1	T1		TRANSFORMER	1611758	63
1	L1		CHOKE	1611759	64
1	E1		I.C. DEC 72741	1910298	65
1			BRACKET REG. B.D.	7411478	66
2			SCREW 4-40 x .50 PH	9006013-1	67
4			SCREW 6-32 x .25 PH	9006020-1	68
2			SCREW 6-32 x .31 PH	9006021-1	69
3			SCREW 6-32 x .75 PH	9006025-1	70
2			KEPNUT 4-40	9006557	71
7			WASHER #8 INTERNAL	9006633	72
9			WASHER #8 FLAT	9006656	73
2			WASHER #4 FLAT	9006172	74
8			SPLIT LUGS	9006735	75
2		TB5, TB6	TAB FAST-ON (OFF SET)	9007112	76
1			TRANS. PAD #10134	9007200	77
8			SCREW 6-32 X .56 PH	9007793-1	78
REF			G6016 REG. BOARD SPEC	G6016-0-8	79
4			SOLDERLESS CONNECTOR	9007928	80
11			KEPNUT 8-32	9008185	81
A/R			WIRE #12 AWG	9107380-00	82
A/R			WIRE #12 AWG	9107380-22	83
A/R	W3		BUS WIRE #22 AWG (SEE NOTE #10)	9107560-01	84
A/R	W1,W2		REEL JUMPER (SEE NOTE #11)	9107560	85
1			SHIELD BATTERY	7411693-C-0	86
3			SPACE #6 .75 BLG.	9006801	87
2		TB5, TB6	EYELET	9009000	88
8		TB1, TB2, TB3, TB4, TB7, TB8, TB9, TB10	EYELET GS4-3	9007836	89
A/R			WIRE #22 AWG	9107350-22	90
?			WASHER #8 INTERNAL	9006634	91
A/R			THERMO COMPOUND	9006268	92
2			SCREW 10-32 X .31	9006070-01	93
2			WASHER #10 INTERNAL	9006635	94
1		C17	CAP .47UF 25V 20% CER.	1010219	95
					96
1			DECAL	A-DC-7413IC90-0	97
REF			FINAL INSP. PROC. FOR G6016	A-SP-G6016-0-9	98
REF			POWER SUPPLY TESTER	B-PD-G6016-TA	99
1			PACKAGING INSTRUCTION	A-SF-3700175-0-0100	100

REVISIONS		
CHK	CHANGE NO	REV

TITLE	H763 REGULATOR BOARD	SIZE CODE	DCS G6016-0-1	NUMBER	2	REV.	F
SCALE		SHEET	2 OF 3	DIST.			

THIS DRAWING AND SPECIFICATIONS HEREIN ARE THE PROPERTY OF DIGITAL EQUIPMENT CORPORATION AND SHALL NOT BE REPRODUCED OR COPIED IN WHOLE OR IN PART AS THE BASIS FOR THE MANUFACTURE OR SALE OF ITEMS WITHOUT WRITTEN PERMISSION. COPYRIGHT © 1974 DIGITAL EQUIPMENT CORPORATION



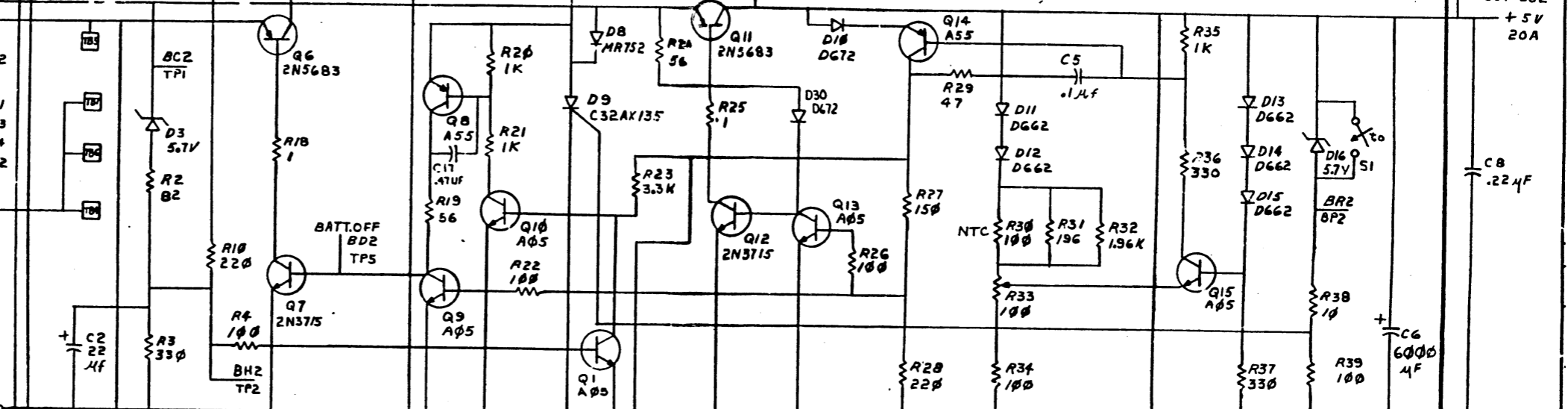
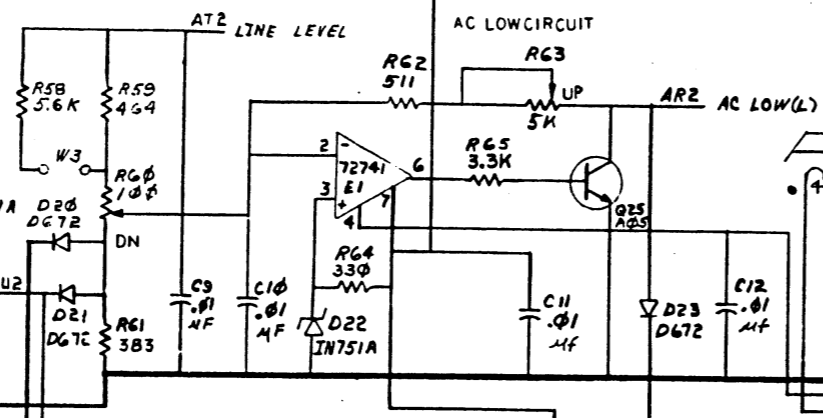
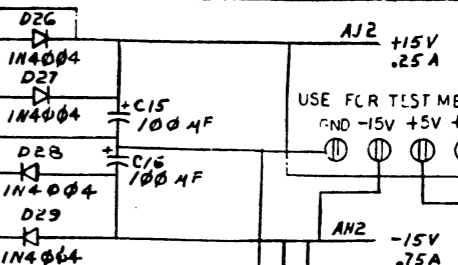
REVISIONS		
CHK	CHANGE NO.	REV.

TITLE	11763 REGULATOR BOARD	SIZE CODE	DCS	NUMBER	08016-0-1	REV.	F
SCALE	1:1	SHEET	3 OF 3	DIST.			

- CN1 CN2
- CB1 CB2
- CC1 CC2
- CD1 CD2
- CE1 CE2
- CF1 CF2
- CH1 CH2
- CJ1 CJ2

- CK1 CK2
- CL1 CL2
- CM1 CM2
- CN1 CN2
- CP1 CP2
- CR1 CR2
- CS1 CS2
- CT1 CT2
- CU1 CU2
- CV1 CV2

USE FOR TEST MEASUREMENT ONLY
GND -15V +5V +15V



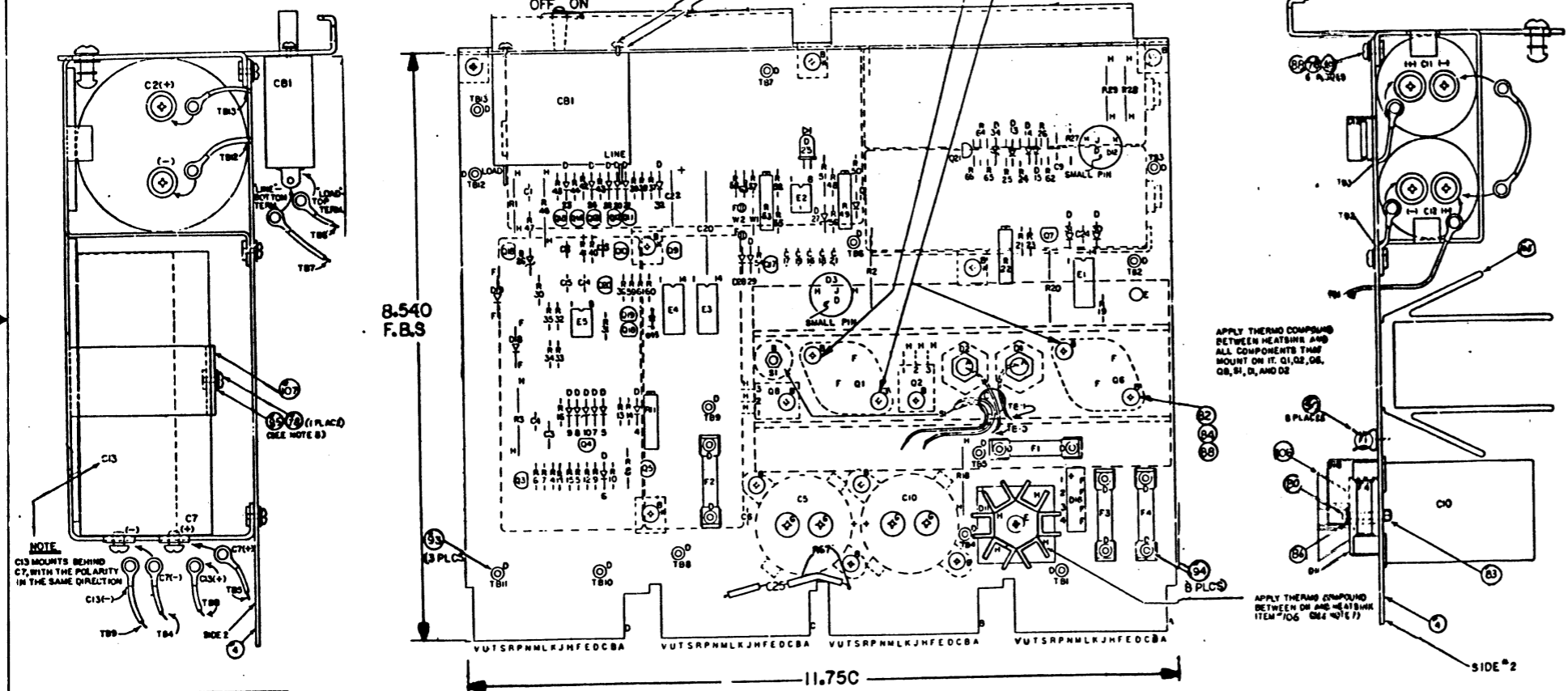
"THIS DRAWING AND SPECIFICATIONS, HEREIN, ARE THE PROPERTY OF DIGITAL EQUIPMENT CORPORATION AND SHALL NOT BE REPRODUCED OR COPIED OR USED IN WHOLE OR IN PART AS THE BASIS FOR THE MANUFACTURE OR SALE OF ITEMS WITHOUT WRITTEN PERMISSION. COPYRIGHT © 1974 DIGITAL EQUIPMENT CORPORATION"

WIRE TABLE

PART NO.	FROM	TO	TERMINATION	WIRE DIA.	PART NO.	FROM	TO	TERMINATION	WIRE DIA.
91-07380-00781	C12(+)	JEND	SOLDER WIRE AT THE END. ATTACH SOLDERLESS CON-NECTOR (90-07928) AT C12(+)	7	91-07380-22786	CB1 (LOAD)	TERMINAL	SOLDER WIRE AT THE END. ATTACH SOLDERLESS CON-NECTOR (90-07928) AT CB1	6
91-07380-00782	C12(-)	JEND	SOLDER WIRE AT THE END. ATTACH SOLDERLESS CON-NECTOR (90-07928) AT C12(-)	1 1/4	91-07380-22787	CB1 (LINE)	TERMINAL	SOLDER WIRE AT THE END. ATTACH SOLDERLESS CON-NECTOR (90-07928) AT CB1	4 1/2
91-07380-22783	C11(+)	JEND	SOLDER WIRE AT THE END. ATTACH SOLDERLESS CON-NECTOR (90-07928) AT C11(+)	1 1/2	91-07380-00788	C13(+)	JEND	SOLDER WIRE AT THE END. ATTACH SOLDERLESS CON-NECTOR (90-07928) AT C13(+)	1 1/2
91-07380-00784	C71(-)	JEND	SOLDER WIRE AT THE END. ATTACH SOLDERLESS CON-NECTOR (90-07928) AT C71(-)	8 1/2	91-07380-22789	C11(-)	JEND	SOLDER WIRE AT THE END. ATTACH SOLDERLESS CON-NECTOR (90-07928) AT C11(-)	3 1/2
91-07380-22785	C7(-)	JEND	SOLDER WIRE AT THE END. ATTACH SOLDERLESS CON-NECTOR (90-07928) AT C7(-)	7 1/2	91-07380-2281	PC BOARD	AS SHOWN BELOW		8

- NOTES:
- * INDICATES HOLES OFF GRID (4 PLACES)
 - ALL COMPONENTS SHOWN BY BROKEN LINES MOUNT ON SIDE *2
 - S1 MOUNTS WITH ITEMS *84 & *88 (1 PLACE)
 - FOR 50HZ OPERATION REMOVE W1 AND INSERT W2 BUSS WIRE, 22 AWG, PART NO. 9107560-01
 - Q2 & Q8 MOUNT WITH ITEMS 82, 84 & 88
 - C5 & C10 MOUNT WITH ITEMS *102, *84, *85, *86, *87 & *113
 - PLACE ITEM *89 BETWEEN D11 AND PC BOARD SECURE WITH ITEMS *80, *83 & *86 (1 PLACE)
 - C7 & C13 ARE HELD IN PLACE WITH ITEM *107 (CAPACITOR CLAMP) AND SECURED WITH ITEMS *78 & *85
 - REFER TO PARTS LIST FOR IDENTIFICATION OF ALL NUMBERED ITEMS
 - D1 & D2 TORQUE TO 20 LB-INS
 - Q1 & Q6 TORQUE TO 14 LB-INS
 - Q2, Q8 & S1 TORQUE TO 10 LB-INS
 - Q1 & Q6 MOUNT WITH ITEMS 82, 84 & 88 ON ONE SIDE & ITEMS 82, 84 & 85 ON THE OTHER SIDE

12 MOUNT DI & D2 WITH ITEM *123 & 124



IC TYPE	GND	+5V

GND AND 5V ARE USUALLY PIN 7 AND 14 RESPECTIVELY EXCEPTONS ARE STATED ABOVE

IC PIN LOCATIONS

- REVISIONS
- | REV. | CHG. | DATE | BY | DESCRIPTION |
|------|-----------|---------|-----------|-------------|
| 1 | ASSEMBLED | 1-11-74 | AL DELUCA | |
| 2 | ... | ... | ... | ... |

REF.	X-Y COORDINATE HOLE LOCATION	K-CO-G8018-04	
REF	BIS/DILLING HOLE LAYOUT	E-M-G8018-0-5	2
REF	MODULE ECO HISTORY	8-M-G8018-0-6	3
1	ETCHED CIRCUIT BOARD	5011499	4
2	C3, C9	CAP .1UF 100V 20%	1000030
1	C20	CAP .47 UF 100V 10%	1000040
8	C4, C19, C15, C16, C17, C18, C19, C24	CAP .01UF 100V 20%	1001610-01
1	C7	CAP 19,000 UF 40V-10% 70+75%	1009966
2	C11, C12	CAP 10,800 UF 20V-10% 70+100%	1010185-01
1	C13	CAP 18,000 UF 10V-10% 70+100%	1010197
4	C1, C6, C21, C25	CAP .22 UF 50V-20% 70+80%	1010274
1	C10	CAP 4500 UF 25V-10% 70+75%	1010703
1	C5	CAP 6000 UF 10V-10% 70+75%	1010709
1	C8	CAP .1 11F, 10V-10% 70+75%	1011578
2	C8, C23	CAP 680 PF 100V 5%	1000026
1	C26	CAP 39 UF 10V 10%	1000076
5	D5, D6, D7, D8, D9	DIODE D6G2	1100113
1	D18	DIODE 1N758A 10V 5%	1100125
1	D10	DIODE 57V28 SCREENED	1111205
1	D26	DIODE 1N4742 4.7V 5%	1105138
1	D13	DIODE 1N9698 13V 5%	1109988
1	D16	DIODE MDA970-3F 204V	1110208
1	D25	DIODE LED HY5054-1	1110328
1	D11	DIODE NSS3514 200V	1110714
2	D18, D19	DIODE ME752	1110615
1	D15	DIODE 1N759A 12V 5%	1110836
1	D27	DIODE 1N751A 5.1V 5%	1110994
2	D1, D2	DIODE 1N1183	1111609
2	D27, D25	RES 47 1/4 W 5%	1300202
2	D4, D17	RES 100 1/4 W 5%	1300229
1	D1	RES 100 1 W 5%	1300232
1	D6	RES 150 1/4 W 5%	1300250
2	D5, D19	RES 220 1/4 W 5%	1300271
6	D13, D15, R43, R54, R60, R61	RES 330 1/4 W 5%	1300295
1	D51	RES 330 1/2 W 5%	1300296
1	D24	RES 390 1/4 W 5%	1300309
2	D28, D29	RES 470 1 W 5%	1300319

FIRST USED ON OPTION MODEL

ETCH BOARD REV. D

PARTS LIST

DATE	2-20-75
DATE	2-18-75
DATE	2-11-75
DATE	2-11-75

APPROVED

TITLE
REGULATOR BOARD
8 A CORE

SIZE CODE: **DCS G8018-0-1** NUMBER: **1** REV.: **M**

SCALE: **1/8" = 1"** SHEET: **1** OF **8**

SEMICONDUCTOR CONVERSION CHART

THIS DRAWING AND SPECIFICATION SHALL BE THE PROPERTY OF THE EQUIPMENT CORPORATION AND SHALL NOT BE REPRODUCED, COPIED, OR IN ANY MANNER DISSEMINATED WITHOUT THE WRITTEN PERMISSION OF THE MANUFACTURER OR SALES REPRESENTATIVE. EQUIPMENT CORPORATION 1974

6		SCREW G-32 X .50	9007773-1	81
1		KEPNUT 8-32	9006563	83
11		KEPNUT G-32	9008185	84
12		WASHER #6 INTERNAL	9006643	85
1		WASHER #8 INTERNAL	9006639	86
4		SCREW G-32 X .38	9006022-01	87
21		WASHER #6 FLAT	9006656	88
1		WASHER #8 FLAT NYLON (NHN)	9006713-00	89
8		FUSE CLIPS	9007273	90
1	F1	FUSE 4A	9007219	91
3	F2, F3, F4	FUSE 2.5A	9008387	92
13	TB1 - TB13	EYELET G54-3	9007836	93
8		EYELET	9009000	94
A/R	M1	WIRE JUMPER	9009185	95
A/R		WIRE #22 AWG	9107350-22	96
A/R		WIRE #18 AWG (BLU)	9107380-00	97
A/R		WIRE #12 AWG (RED)	9107380-22	98
1	R22	RES 200 3/4 W 10% RES	1309143-05	99
A/R		WIRE BUSS #18 AWG	9107560-05	101
2		BRACKET	1210928	102
1	CB1	CIRCUIT BREAKER	1211673	103
1	S1	THERMOSTAT	1211682	104
1		HEAT SINK T-05 (TRANS MOUNTED)	1212322	105
1		HEAT SINK (BRIDGE RECT) 5A-18	1210907	106
1		CLAMP CAP	7413208	107
1		BRACKET REG BOARD	7413741	108
2		LUGS SPLIT	9006735	109
11		CONN SODERLESS	9007926-01	110
2		CONN SODERLESS	9007928	111
A/R		COMPOUND THERMO	9008268	112
4	CS, C10	WASHER #6 NYLON	9006707	113
13	D4, D17, D20, D21, D23, D24, D28 - D32, D22, D35	DIODE 0672	1105275	114
A/R		WIRE, 30 AWG, GREEN	9105740-05	115
1		DECAL	A-DC-7413498-0-0	116
2	R64, R65	RES 270 1/4 W 5%	1301972	117
1	R66	RES 33 1/4 W 5%	1300197	118
				119
1	D34	DIODE IN 970B	1110856	120
1		PACKAGING INSTRUCTIONS	A-SP-3700175-00	121
A/R		TUBING, EXTRUDED	9107267-00	122
2		HEX NUT 1/4 - 28	9008063	123
2		WASHER 1/4 INTERNAL LOCK	9006637	124

8	R1, R20, R40, R44, R55, R59, R67	RES 1K 1/4 W 5%	1300365	38
1	R45	RES 1.5K 1/4 W 5%	1300391	39
1	R47	RES 1.5K 1/2 W 5%	1300394	40
2	R36, R41	RES 3.2K 1/2 W 5%	1300439	41
1	R56	RES 4.7K 1/4 W 5%	1300447	42
1	R16	RES 10 1/4 W 5%	1301317	43
2	R42, R47	RES 680 1/4 W 5%	1301424	44
1	R46	RES 200 2 W 5%	1301494	45
1	R52	RES 511 1/4 W 1%	1302411	46
1	R26	RES 56 1/4 W 5%	1302602	47
1	R3	RES 56 2 W 5%	1302836	48
1	R12	RES 100 1/2 W 1%	1302858	49
4	R21, R23, R34, R63	RES 1.21K 1/4 W 1%	1302871	50
1	R9	RES 196 1/4 W 1%	1302956	51
3	R32, R35, R50	RES 469 1/4 W 1%	1303047	52
1	R18	RES 470 2 W 5%	1303062	53
1	R57	RES 12.1K 1/4 W 1%	1303313	54
1	R2	RES 1 5 W 10%	1303365	55
1	R10	RES 1.96K 1/4 W 1%	1304833	56
3	R37, R38, R39	RES 15K 1/4 W 5%	1300496	57
1	R31	RES 2.2K 1/4 W 5%	1300417	58
1	R48	RES 383 1/4 W 1%	1305125	59
1	R23	RES 619 1/4 W 1%	1305126	60
1	R11	RES 100 3/4 W 10%	1309143-04	61
1	R49	RES 500 3/4 W 10%	1309143-06	62
1	R53	RES 5K 3/4 W 10%	1309143-09	63
1	R58	RES 14.7K 1/4 W 1%	1302941	64
1	R20	RES .14 5 W 1%	1310189	65
1	R8	RES 100 1/8 W, NTC	1311760	66
1	E4	IC DEC 7474	1905547	67
1	E3	IC DEC 74121	1910230	68
2	E2, E5	IC DEC 72741	1910798	69
1	E1	IC DEC 723	1910415	70
4	Q4, Q12, Q20, Q21	TRANS DEC 6534B	1503409-01	71
1	Q6	TRANS DEC 2N3791	1509581	72
1	Q2	TRANS MJE 3055	1510555	73
1	Q8	TRANS MJE 2955	1510556	74
2	D3, D12	TRANS C32A X135 SCE	1510928	75
1	Q1	TRANS 2N5683	1511647	76
13	Q3, Q5, Q7, Q9, Q10, Q11, Q13 - Q19	TRANS DEC 6531B	1509338	77
7		SCREW G-32 X .25	9006020-1	78
2		SCREW G-32 X .31	9006021-1	79
1		SCR - 1/4 8-32 X .75	9006041-1	80

REVISION		
NO	CHANGE NO	REV

QTY	REF	DESIGNATION	DESCRIPTION	PART NO	ITEM NO
TITLE		REGULATOR BOARD		SIZE CODE	NUMBER
SCALE		8A CORE		D CS	G3018 - J - 1
SHEET		2 OF 4		DWG	

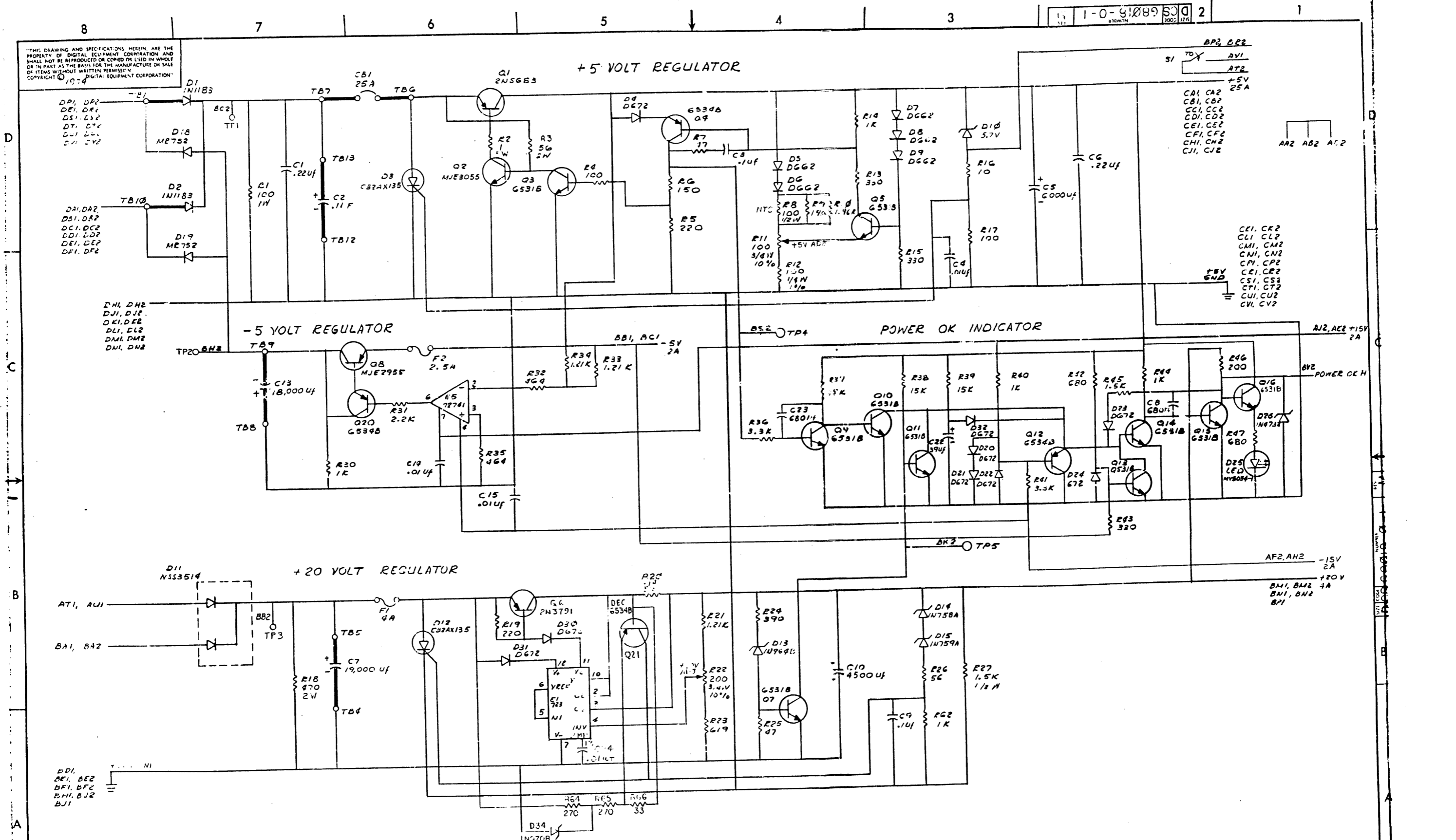
THIS DRAWING AND SPECIFICATIONS HEREIN ARE THE PROPERTY OF DIGITAL EQUIPMENT CORPORATION AND SHALL NOT BE REPRODUCED OR COPIED OR USED IN WHOLE OR IN PART AS THE BASIS FOR THE MANUFACTURE OR SALE OF ITEMS WITHOUT WRITTEN PERMISSION. COPYRIGHT © 1974 DIGITAL EQUIPMENT CORPORATION.

+5 VOLT REGULATOR

-5 VOLT REGULATOR

+20 VOLT REGULATOR

POWER OK INDICATOR



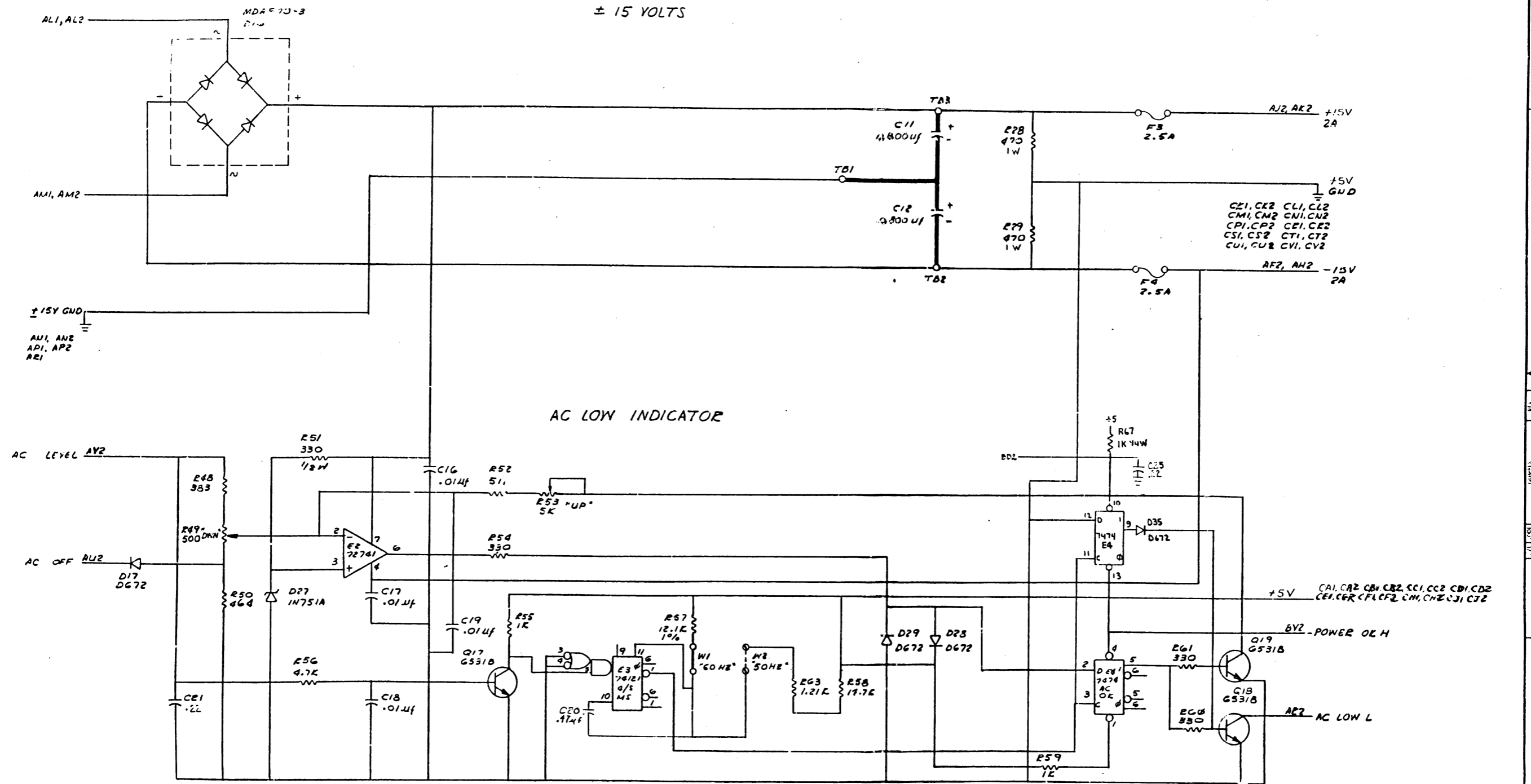
REVISIONS		
CHK	CHANGE NO	REV

TITLE	REGULATOR BOARD	SIZE CODE	D C S	NUMBER	68018-0-1	REV.	1
SCALE		SHEET	3	OF	4	DIST	

"THIS DRAWING AND SPECIFICATIONS HEREIN ARE THE PROPERTY OF DIGITAL EQUIPMENT CORPORATION AND SHALL NOT BE REPRODUCED OR COPIED OR USED IN WHOLE OR IN PART AS THE BASIS FOR THE MANUFACTURE OR SALE OF ITEMS WITHOUT WRITTEN PERMISSION OF DIGITAL EQUIPMENT CORPORATION"

± 15 VOLTS

AC LOW INDICATOR



REVISIONS		
CHK	CHANGE NO.	REV

TITLE	REGULATOR BOARD	SIZE CODE	NUMBER	REV.
	SA CORE	DOS	62213-0-1	11
SCALE	SHEET 4 OF 4	DIST		