

NOTES:
 * USER MODE IS USED BY THE TIME SHARING OPTION ONLY; TO INHIBIT HALT, OSR, LAS, & PAUSE

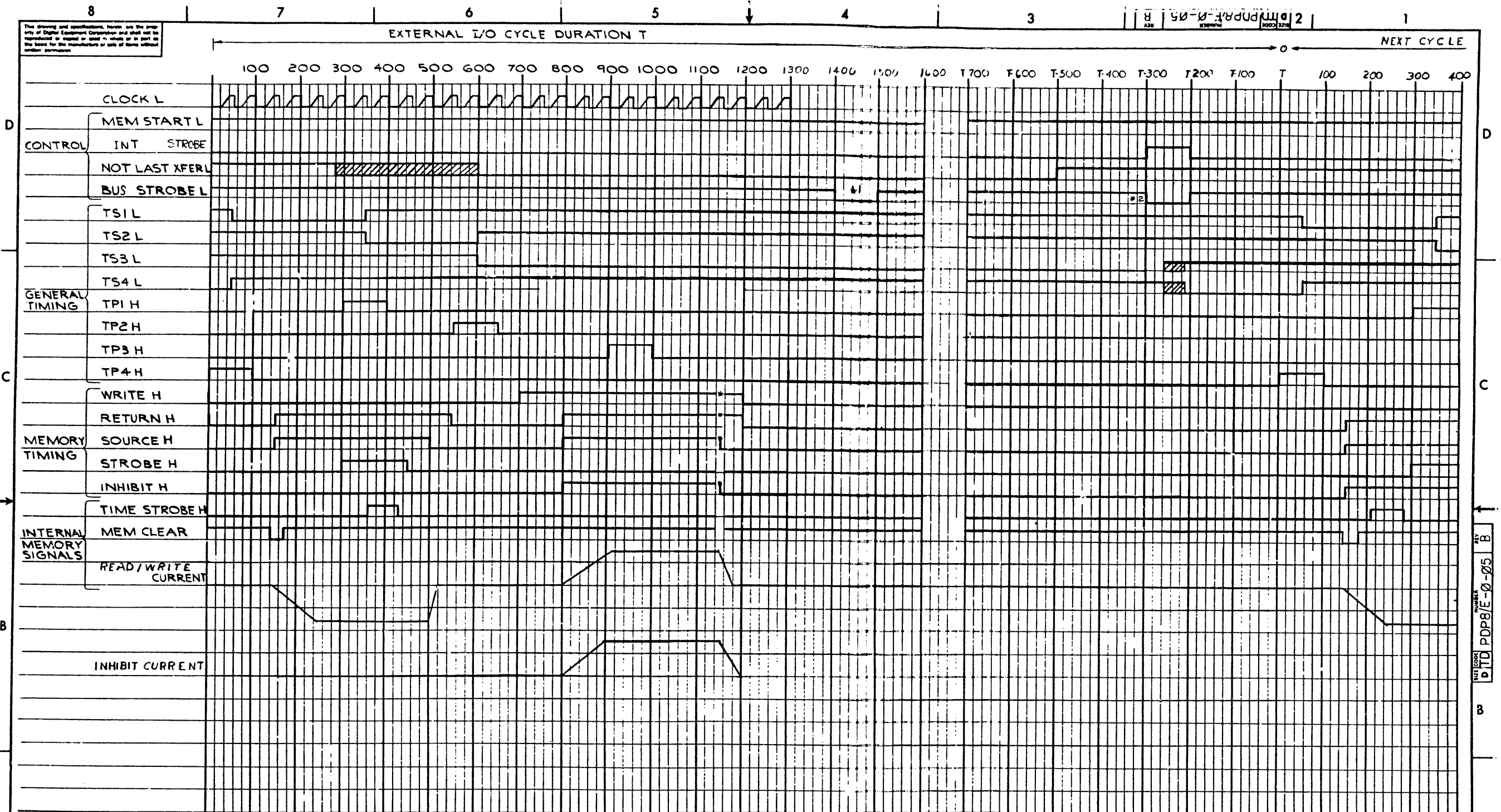
QTY.	DESCRIPTION	PART NO.	ITEM NO.
	PARTS LIST		
	PDP8/E		
	TITLE		
	PROCESSOR FLOW CHART		
	DRAWN BY		
	CHECKED BY		
	DATE		
	SCALE		
	SHEET 1 OF 1		

REV. 1	DATE	BY
REV. 2	DATE	BY
REV. 3	DATE	BY
REV. 4	DATE	BY
REV. 5	DATE	BY

PDP8/E-0-06

This drawing and specifications, herein, are the property of Digital Equipment Corporation and shall not be reproduced or copied or used in whole or in part as the basis for the manufacture of any of them without written permission.

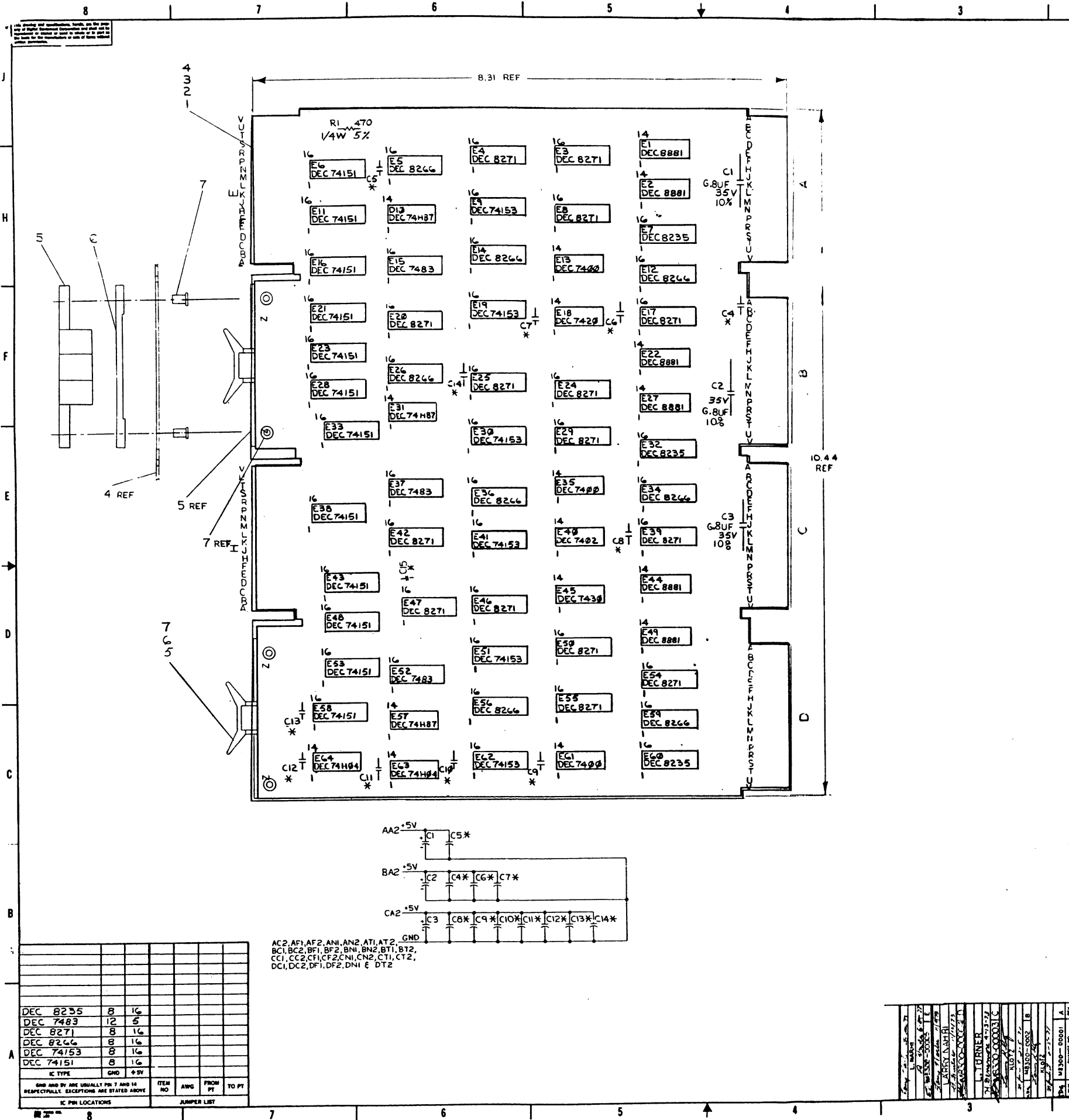
8 50-0-05 PDP8/E-0-05
 1000 1212
 1



NOTE: * MEMORY SIGNALS TIME OUT, AS IN A FAST CYCLE
 * 1 GENERATED BY PERIPHERAL TO STROBE DATA
 * 2 GENERATED BY PERIPHERAL TO TERMINATE EXT. I/O CYCLE AND RESUME NORMAL OPERATION.

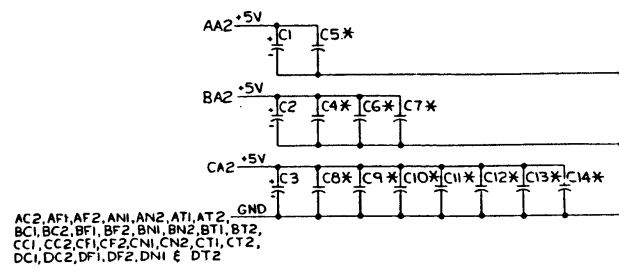
REV	
CHG	

FIRST USED ON OPT/MOD PDP8/E	QTY.	DESCRIPTION	PART NO.	ITEM NO.
UNLESS OTHERWISE SPECIFIED DIMENSION IN INCHES TOLERANCES DECIMALS FRACTIONS ANGLES ± .005 ± .156 ± .075 FINAL SURFACE QUALITY REMOVE BURRS AND BREAK SHARP CORNERS	DATE 11-9-71	DATE 11/11/71	DATE 11/3/71	DATE 11/3/71
MATERIAL FINISH	PATTS LIST EQUIPMENT CORPORATION MAYNARD MASSACHUSETTS TITLE TIMING (PDP8/E) SIZE CODE D1TD NUMBER PDP8/E-0-05 REV. B SHEET 2 OF 2 DICT.			



NOTES:
 * THESE COMPONENTS MUST BE ON MB300
 IF KLB-A (MB319) IS USED ON SYSTEM.

QTY	REF DESIGNATION	DESCRIPTION	PART NO.	REV
1	C15	CAP 100PF D.M.	1000016	25
6	E9, E19, E30, E41, E51, E62	I.C. DEC 74153	1909937	23
12	E6, E11, E16, E21, E23, E28, E33, E38, E43, E48, E53, E58	I.C. DEC 74151	1909936	22
3	E7, E32, E60	I.C. DEC 8235	1909935	21
8	E5, E12, E14, E26, E34, E36, E56, E59	I.C. DEC 8266	1909934	20
3	E15, E37, E52	I.C. DEC 7483	1909932	19
2	E63, E64	I.C. DEC 74404	1909931	18
3	E10, E31, E57	I.C. DEC 74H87	1909927	17
6	E12, E22, E27, E44, E49	I.C. DEC 8881	1909705	16
15	E24, E25, E29, E35, E40, E42, E43, E47, E49, E50, E54, E55	I.C. DEC 8271	1909615	15
1	E40	I.C. DEC 7402	1909004	14
1	E45	I.C. DEC 7430	1908578	13
1	E18	I.C. DEC 7420	1908577	12
3	E13, E35, E61	I.C. DEC 7400	1908575	11
11	C4 - C14	RESISTOR 470 1/4W 5%	100274-00	9
3	C1, C2, C3	CAP 22UF 50V CER	100067-00	8
4		SPACER (CABLE CLAMP)	1202704	7
2		EYELETS G54-11 STIMP	90067-00	6
1		HANDLE FLIP CHIP-MAGENTA	1008357-00	5
1		ETCHED CIRCUIT BOARD	1500485-00	4
REF		MODULE HISTORY LIST	8444800-00	3
REF		ASSY/DRILLING HOLE LAYOUT	8444800-00	2
REF		XY COORDINATE HOLE LOC	8444800-00	1



AC2, AF1, AF2, AN1, AN2, AT1, AT2,
 BC1, BC2, BF1, BF2, BN1, BN2, BT1, BT2,
 CC1, CC2, CF1, CF2, CN1, CN2, CT1, CT2,
 DC1, DC2, DF1, DF2, DN1 & DT2

IC TYPE	QTY	REF	PKG
DEC 8235	3	E7, E32, E60	16
DEC 7483	3	E15, E37, E52	16
DEC 8271	15	E24, E25, E29, E35, E40, E42, E43, E47, E49, E50, E54, E55	16
DEC 8266	8	E5, E12, E14, E26, E34, E36, E56, E59	16
DEC 74153	6	E9, E19, E30, E41, E51, E62	16
DEC 74151	12	E6, E11, E16, E21, E23, E28, E33, E38, E43, E48, E53, E58	16

REV	DATE	BY	CHKD	APP'D
1	11/14/71	W. J. TURNER		
2	11/15/71	W. J. TURNER		
3	11/15/71	W. J. TURNER		
4	11/15/71	W. J. TURNER		
5	11/15/71	W. J. TURNER		
6	11/15/71	W. J. TURNER		
7	11/15/71	W. J. TURNER		
8	11/15/71	W. J. TURNER		
9	11/15/71	W. J. TURNER		
10	11/15/71	W. J. TURNER		
11	11/15/71	W. J. TURNER		
12	11/15/71	W. J. TURNER		
13	11/15/71	W. J. TURNER		
14	11/15/71	W. J. TURNER		
15	11/15/71	W. J. TURNER		
16	11/15/71	W. J. TURNER		
17	11/15/71	W. J. TURNER		
18	11/15/71	W. J. TURNER		
19	11/15/71	W. J. TURNER		
20	11/15/71	W. J. TURNER		
21	11/15/71	W. J. TURNER		
22	11/15/71	W. J. TURNER		
23	11/15/71	W. J. TURNER		
24	11/15/71	W. J. TURNER		
25	11/15/71	W. J. TURNER		

MAJOR REGISTERS (KK8/E)

DEC NO. 0-0A-KK8-E-0

SEMICONDUCTOR CONVERSION CHART

SCALE 2/1

SHEET 1 OF 5

DATE 11/15/71

REV 1

BY W. J. TURNER

CHKD

APP'D

DIGITAL EQUIPMENT CORPORATION

MAJOR REGISTERS (KK8/E)

REV COLUMNS

PRINTED CIRCUIT BOARD REVISION

CIRCUIT SCH REVISION

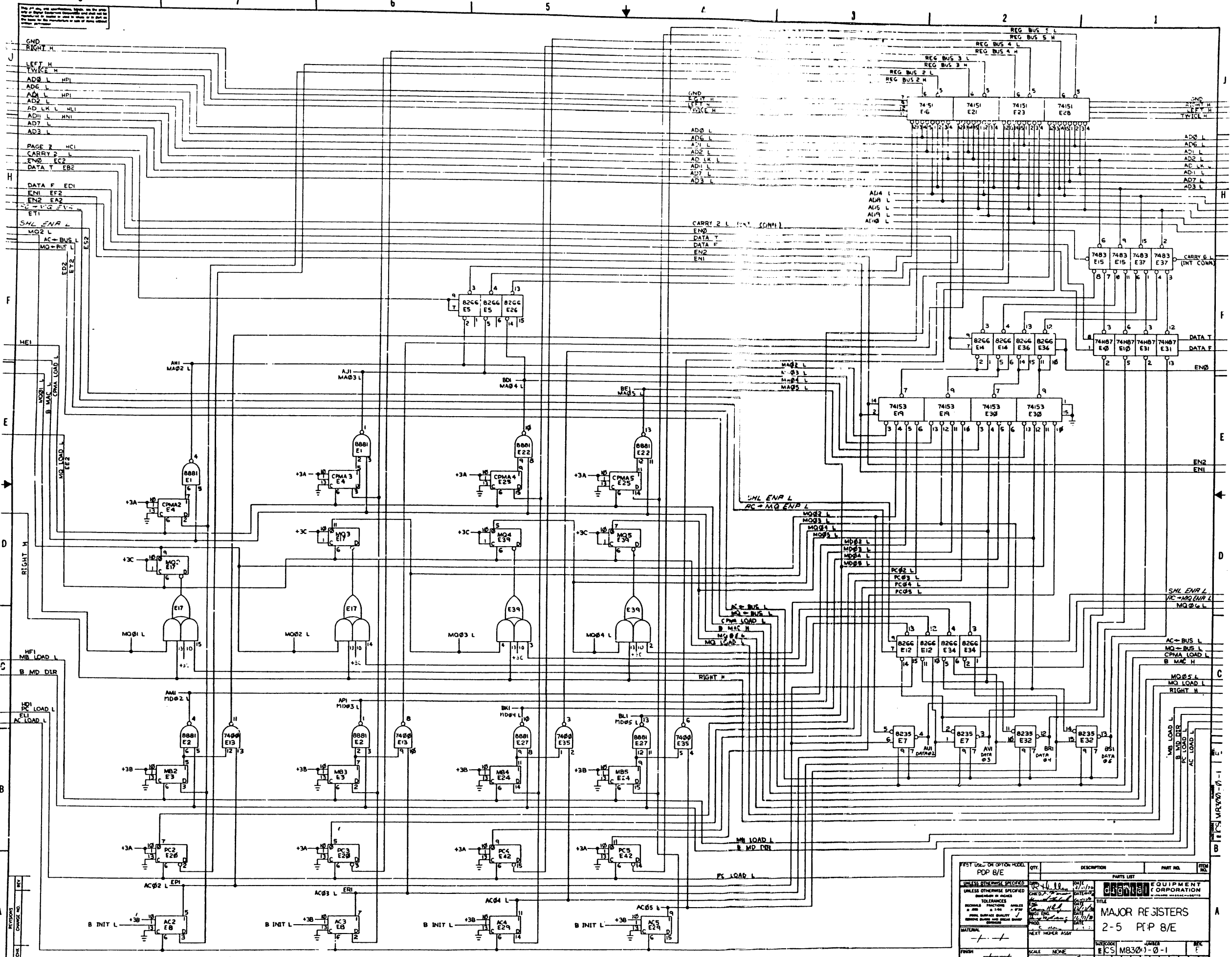
REV

DATE

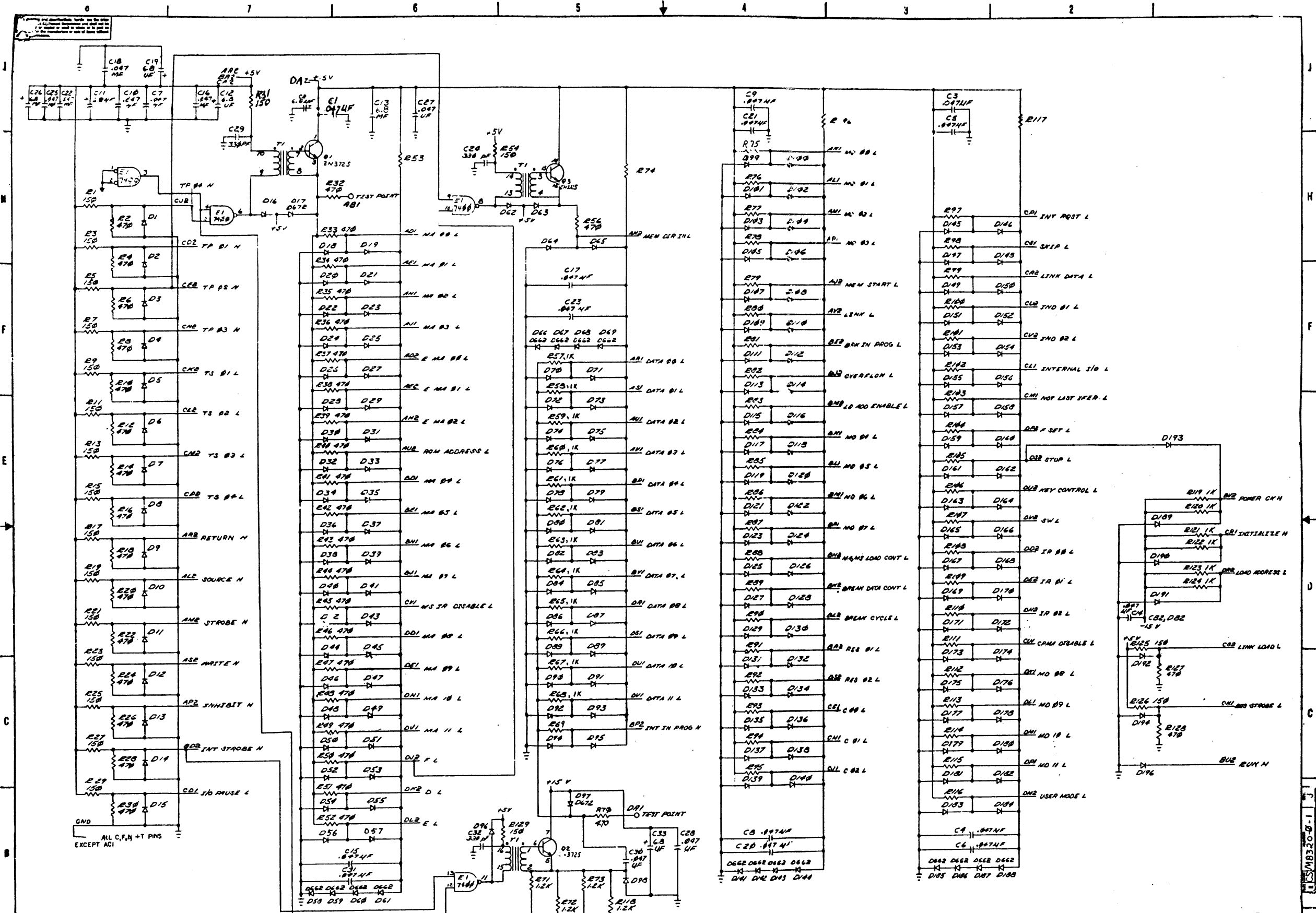
BY

CHKD

APP'D



FIRST USE, ON OPTION MODEL		QTY.	DESCRIPTION	PARTS LIST	PART NO.	ITEM NO.
UNLESS OTHERWISE SPECIFIED						
UNLESS OTHERWISE SPECIFIED						
TOLERANCES						
DIMENSIONAL FINISHES						
MATERIAL						
FINISH						
TITLE		MAJOR REGISTERS		2-5 P/P 8/E		
SCALE		NONE		SHEET 3 OF 5		
DATE		2/1/70		REV E		
DRAWN		JUNIA		REV E		
CHECKED		ECS MB301-0-1		REV E		
APPROVED		ECS MB301-0-1		REV E		

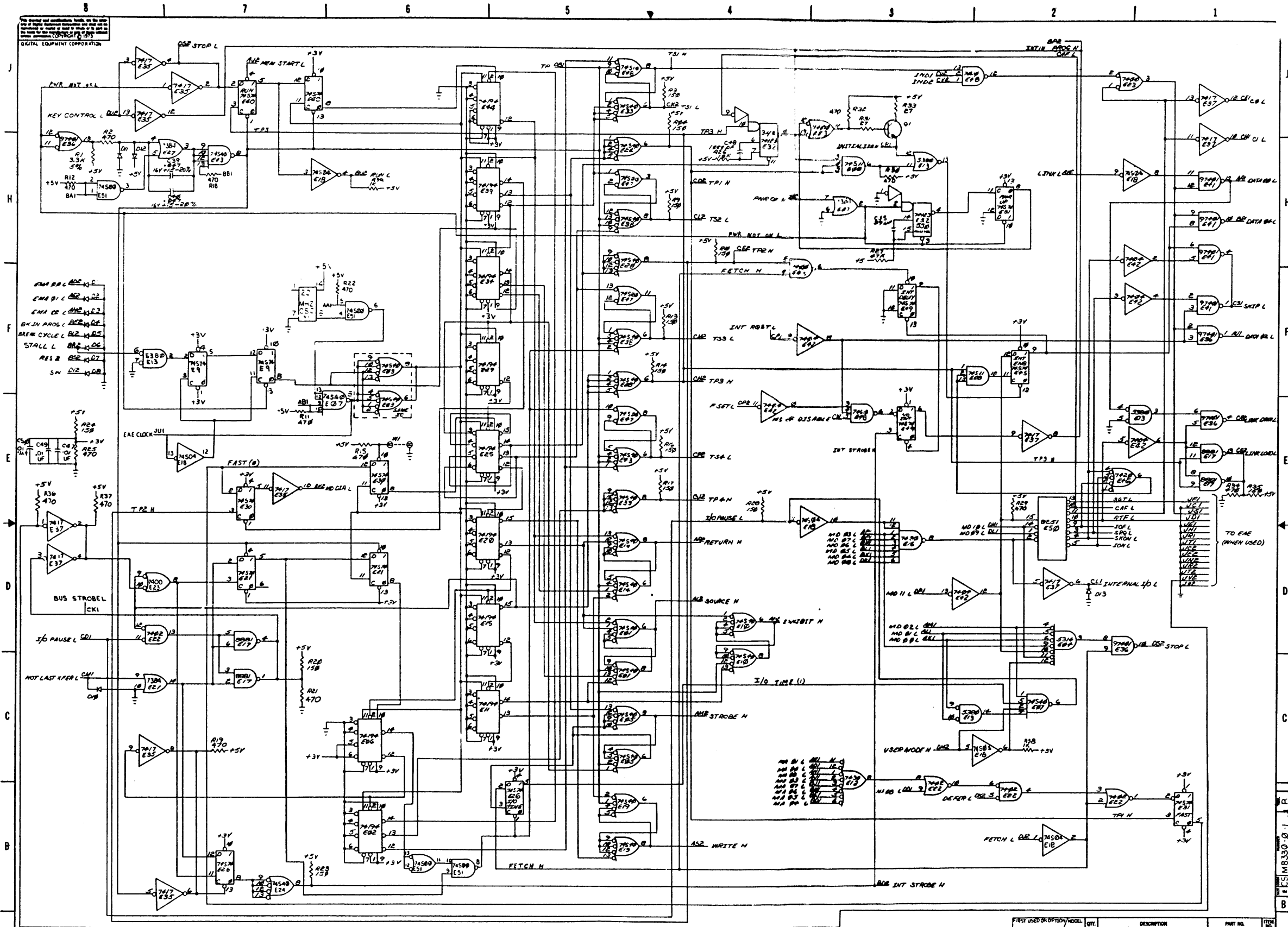


REV.	DESCRIPTION	DATE	BY	CHECKED	DATE	BY	DESCRIPTION	PART NO.	ITEM
1	INITIAL DESIGN	1-5-59							
2	REVISION	1-5-59							
3	REVISION	1-5-59							
4	REVISION	1-5-59							
5	REVISION	1-5-59							
6	REVISION	1-5-59							
7	REVISION	1-5-59							
8	REVISION	1-5-59							
9	REVISION	1-5-59							
10	REVISION	1-5-59							
11	REVISION	1-5-59							
12	REVISION	1-5-59							
13	REVISION	1-5-59							
14	REVISION	1-5-59							
15	REVISION	1-5-59							
16	REVISION	1-5-59							
17	REVISION	1-5-59							
18	REVISION	1-5-59							
19	REVISION	1-5-59							
20	REVISION	1-5-59							
21	REVISION	1-5-59							
22	REVISION	1-5-59							
23	REVISION	1-5-59							
24	REVISION	1-5-59							
25	REVISION	1-5-59							
26	REVISION	1-5-59							
27	REVISION	1-5-59							
28	REVISION	1-5-59							
29	REVISION	1-5-59							
30	REVISION	1-5-59							
31	REVISION	1-5-59							
32	REVISION	1-5-59							
33	REVISION	1-5-59							
34	REVISION	1-5-59							
35	REVISION	1-5-59							
36	REVISION	1-5-59							
37	REVISION	1-5-59							
38	REVISION	1-5-59							
39	REVISION	1-5-59							
40	REVISION	1-5-59							
41	REVISION	1-5-59							
42	REVISION	1-5-59							
43	REVISION	1-5-59							
44	REVISION	1-5-59							
45	REVISION	1-5-59							
46	REVISION	1-5-59							
47	REVISION	1-5-59							
48	REVISION	1-5-59							
49	REVISION	1-5-59							
50	REVISION	1-5-59							
51	REVISION	1-5-59							
52	REVISION	1-5-59							
53	REVISION	1-5-59							
54	REVISION	1-5-59							
55	REVISION	1-5-59							
56	REVISION	1-5-59							
57	REVISION	1-5-59							
58	REVISION	1-5-59							
59	REVISION	1-5-59							
60	REVISION	1-5-59							
61	REVISION	1-5-59							
62	REVISION	1-5-59							
63	REVISION	1-5-59							
64	REVISION	1-5-59							
65	REVISION	1-5-59							
66	REVISION	1-5-59							
67	REVISION	1-5-59							
68	REVISION	1-5-59							
69	REVISION	1-5-59							
70	REVISION	1-5-59							
71	REVISION	1-5-59							
72	REVISION	1-5-59							
73	REVISION	1-5-59							
74	REVISION	1-5-59							
75	REVISION	1-5-59							
76	REVISION	1-5-59							
77	REVISION	1-5-59							
78	REVISION	1-5-59							
79	REVISION	1-5-59							
80	REVISION	1-5-59							
81	REVISION	1-5-59							
82	REVISION	1-5-59							
83	REVISION	1-5-59							
84	REVISION	1-5-59							
85	REVISION	1-5-59							
86	REVISION	1-5-59							
87	REVISION	1-5-59							
88	REVISION	1-5-59							
89	REVISION	1-5-59							
90	REVISION	1-5-59							
91	REVISION	1-5-59							
92	REVISION	1-5-59							
93	REVISION	1-5-59							
94	REVISION	1-5-59							
95	REVISION	1-5-59							
96	REVISION	1-5-59							
97	REVISION	1-5-59							
98	REVISION	1-5-59							
99	REVISION	1-5-59							
100	REVISION	1-5-59							

EKS MB320-0-1 J

BUS LOADS

REV.	DESCRIPTION	DATE	BY	CHECKED	DATE	BY	DESCRIPTION	PART NO.	ITEM
1	INITIAL DESIGN	1-5-59							
2	REVISION	1-5-59							
3	REVISION	1-5-59							
4	REVISION	1-5-59							
5	REVISION	1-5-59							
6	REVISION	1-5-59							
7	REVISION	1-5-59							
8	REVISION	1-5-59							
9	REVISION	1-5-59							
10	REVISION	1-5-59							
11	REVISION	1-5-59							
12	REVISION	1-5-59							
13	REVISION	1-5-59							
14	REVISION	1-5-59							
15	REVISION	1-5-59							
16	REVISION	1-5-59							
17	REVISION	1-5-59							
18	REVISION	1-5-59							
19	REVISION	1-5-59							
20	REVISION	1-5-59							
21	REVISION	1-5-59							
22	REVISION	1-5-59							
23	REVISION	1-5-59							
24	REVISION	1-5-59							
25	REVISION	1-5-59							
26	REVISION	1-5-59							
27	REVISION	1-5-59							
28	REVISION	1-5-59							
29	REVISION	1-5-59							
30	REVISION	1-5-59							
31	REVISION	1-5-59							
32	REVISION	1-5-59							
33	REVISION	1-5-59							
34	REVISION	1-5-59							
35	REVISION	1-5-59							
36	REVISION	1-5-59							
37	REVISION	1-5-59							
38	REVISION	1-5-59							
39	REVISION	1-5-59							
40	REVISION	1-5-59							
41	REVISION	1-5-59							
42	REVISION	1-5-59							
43	REVISION	1-5-59							
44	REVISION	1-5-59							
45	REVISION	1-5-59							
46	REVISION	1-5-59							
47	REVISION	1-5-59							
48	REVISION	1-5-59							
49	REVISION	1-5-59							
50	REVISION	1-5-59							
51	REVISION	1-5-59							
52	REVISION	1-5-59							
53	REVISION	1-5-59							
54	REVISION	1-5-59							
55	REVISION	1-5-59							
56	REVISION	1-5-59							
57	REVISION	1-5-59							
58	REVISION	1-5-59							
59	REVISION	1-5-59							
60	REVISION	1-5-59							
61	REVISION	1-5-59							
62	REVISION	1-5-59							
63	REVISION	1-5-59							
64	REVISION	1-5-59							
65	REVISION	1-5-59							
66	REVISION	1-5-59							
67	REVISION	1-5-59							
68									



REV.	DESCRIPTION	DATE	BY
1	INITIAL DESIGN	11/17/73	J. J. ...
2	REVISED DESIGN	11/17/73	J. J. ...
3	REVISED DESIGN	11/17/73	J. J. ...
4	REVISED DESIGN	11/17/73	J. J. ...
5	REVISED DESIGN	11/17/73	J. J. ...
6	REVISED DESIGN	11/17/73	J. J. ...
7	REVISED DESIGN	11/17/73	J. J. ...
8	REVISED DESIGN	11/17/73	J. J. ...
9	REVISED DESIGN	11/17/73	J. J. ...
10	REVISED DESIGN	11/17/73	J. J. ...

REV.	DESCRIPTION	DATE	BY
1	INITIAL DESIGN	11/17/73	J. J. ...
2	REVISED DESIGN	11/17/73	J. J. ...
3	REVISED DESIGN	11/17/73	J. J. ...
4	REVISED DESIGN	11/17/73	J. J. ...
5	REVISED DESIGN	11/17/73	J. J. ...
6	REVISED DESIGN	11/17/73	J. J. ...
7	REVISED DESIGN	11/17/73	J. J. ...
8	REVISED DESIGN	11/17/73	J. J. ...
9	REVISED DESIGN	11/17/73	J. J. ...
10	REVISED DESIGN	11/17/73	J. J. ...

REV.	DESCRIPTION	DATE	BY
1	INITIAL DESIGN	11/17/73	J. J. ...
2	REVISED DESIGN	11/17/73	J. J. ...
3	REVISED DESIGN	11/17/73	J. J. ...
4	REVISED DESIGN	11/17/73	J. J. ...
5	REVISED DESIGN	11/17/73	J. J. ...
6	REVISED DESIGN	11/17/73	J. J. ...
7	REVISED DESIGN	11/17/73	J. J. ...
8	REVISED DESIGN	11/17/73	J. J. ...
9	REVISED DESIGN	11/17/73	J. J. ...
10	REVISED DESIGN	11/17/73	J. J. ...

REV.	DESCRIPTION	DATE	BY
1	INITIAL DESIGN	11/17/73	J. J. ...
2	REVISED DESIGN	11/17/73	J. J. ...
3	REVISED DESIGN	11/17/73	J. J. ...
4	REVISED DESIGN	11/17/73	J. J. ...
5	REVISED DESIGN	11/17/73	J. J. ...
6	REVISED DESIGN	11/17/73	J. J. ...
7	REVISED DESIGN	11/17/73	J. J. ...
8	REVISED DESIGN	11/17/73	J. J. ...
9	REVISED DESIGN	11/17/73	J. J. ...
10	REVISED DESIGN	11/17/73	J. J. ...

ECS MB330-0-1

A

ML 1