

BULLETIN 1184B

33 PAGE PRINTER SET

(ASR, KSR AND RO)

PARTS



TELETYPE[®]
CORPORATION

5555 TOUHY AVENUE, SKOKIE, ILLINOIS

TABLE OF CONTENTS

| SECTION | TITLE | ISSUE | DATE |
|---------------|----------------------------|-------|---------------|
| 574-121-800TC | 33 Keyboard (UK) | *5 | December 1970 |
| 574-122-800TC | 33 Typing Unit (UP) | *7 | February 1971 |
| 574-123-800TC | 33 Call Control Unit (UCC) | *6 | December 1970 |
| 574-124-800TC | 33 Reader (UX) | *4 | December 1970 |
| 574-125-800TC | 33 Tape Punch (UPE) | *4 | December 1970 |
| 574-126-800TC | 33 Cover and Table | *5 | December 1970 |

*Indicates revised sections

33 KEYBOARD (UK)

PARTS

| FIGURE | CONTENTS | PAGE |
|--------|--|------|
| 1 | Keyboard Basket and Contact Block | 2 |
| 2 | 185801 Modification Kit to Provide Locking for Keyboard | 3 |
| 3 | 186752 Modification Kit to Provide Locking for Keyboard | 3 |
| 4 | Keyboard Covers | 4 |
| 5 | Keytops | 5 |
| 6 | Keylevers | 6 |
| 7 | Codebar Mechanism | 7 |
| 8 | Codebar Mechanism for Units Equipped with Even Parity | 8 |
| 9 | Codebar Mechanism for Numerical Keyboard | 9 |
| 10 | Reset Mechanism for Self-Contained and Solenoid Reset Keyboards | 10 |
| 11 | Reset Mechanism for Even Parity Keyboard | 11 |
| 12 | Cover for Self-Contained and Solenoid Reset Keyboards | 12 |
| | Numerical Index | 13 |

**Denotes a painted part.
HF-Light Olive Gray Smooth Vinyl.

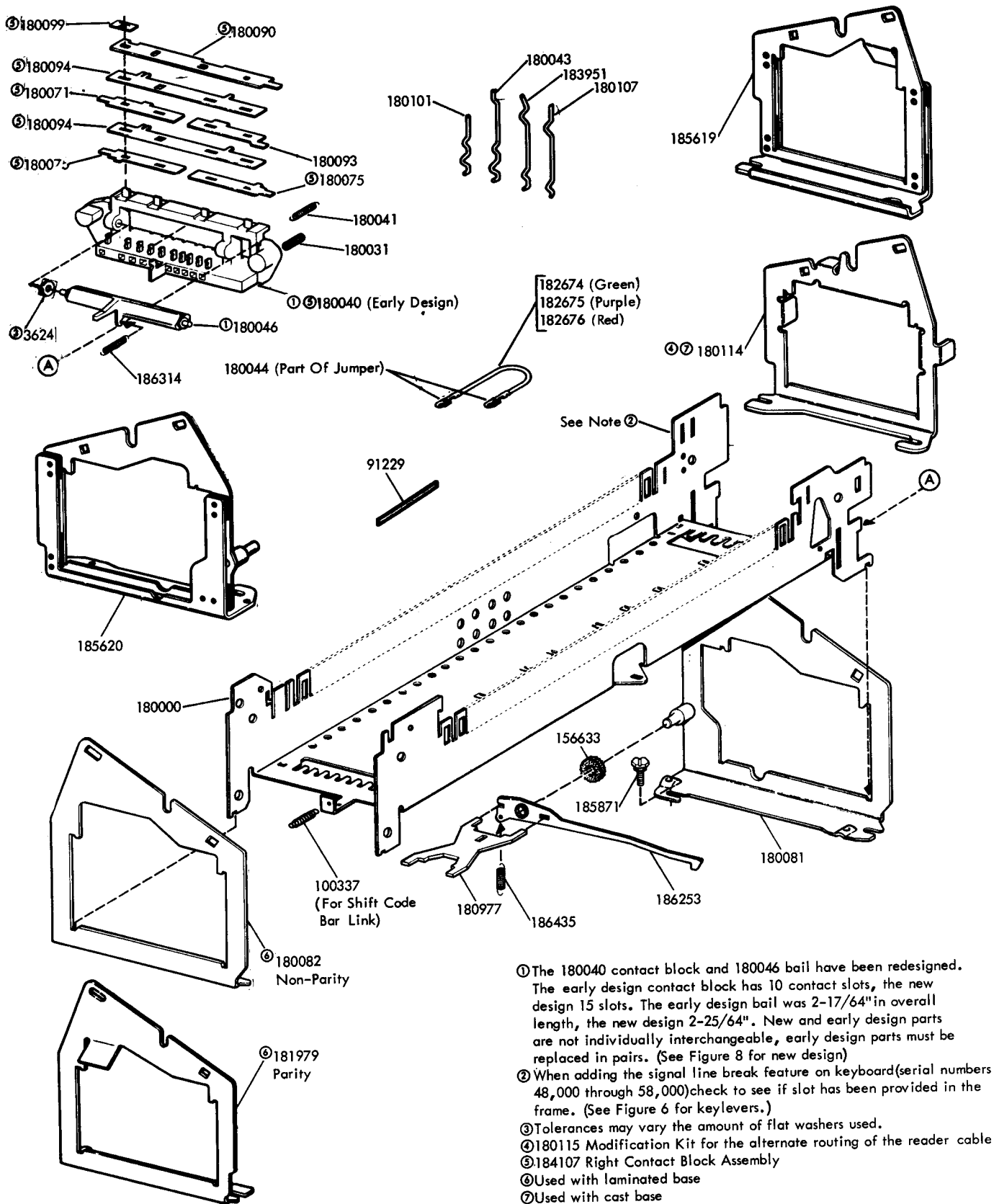


FIGURE 1. KEYBOARD BASKET AND CONTACT BLOCK

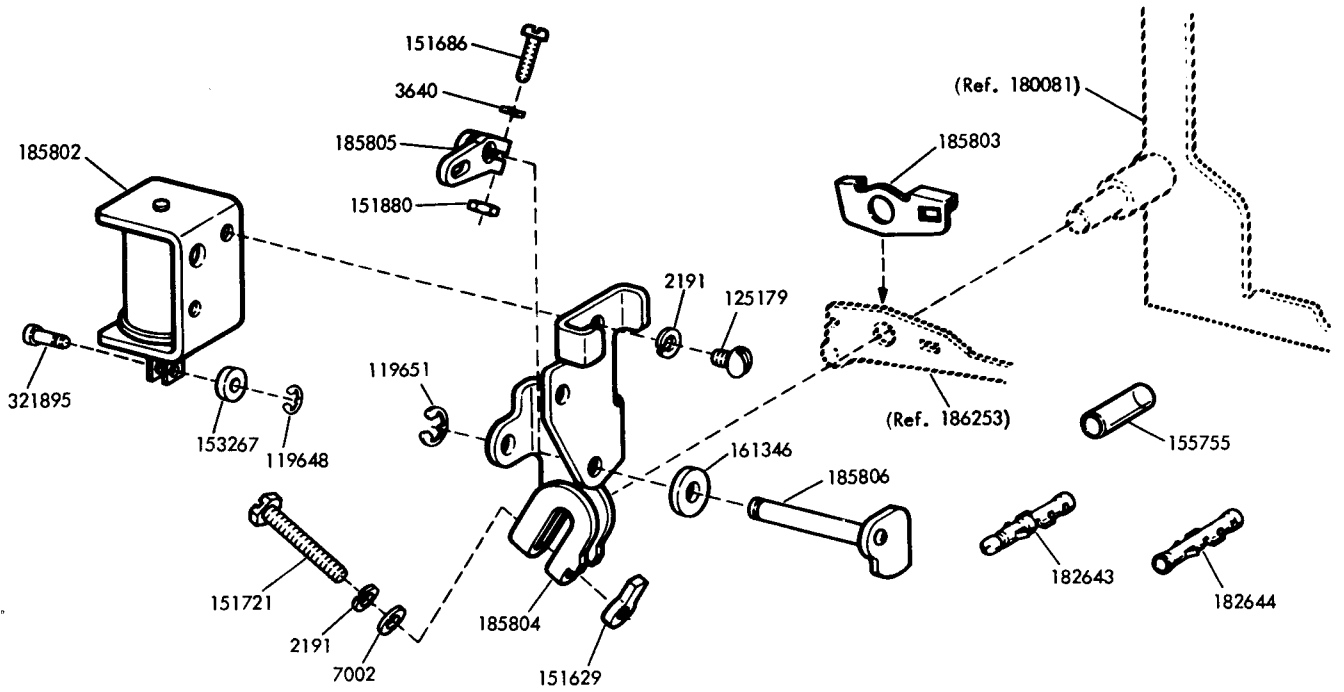


FIGURE 2. 185801 MODIFICATION KIT TO PROVIDE LOCKING FOR KEYBOARD

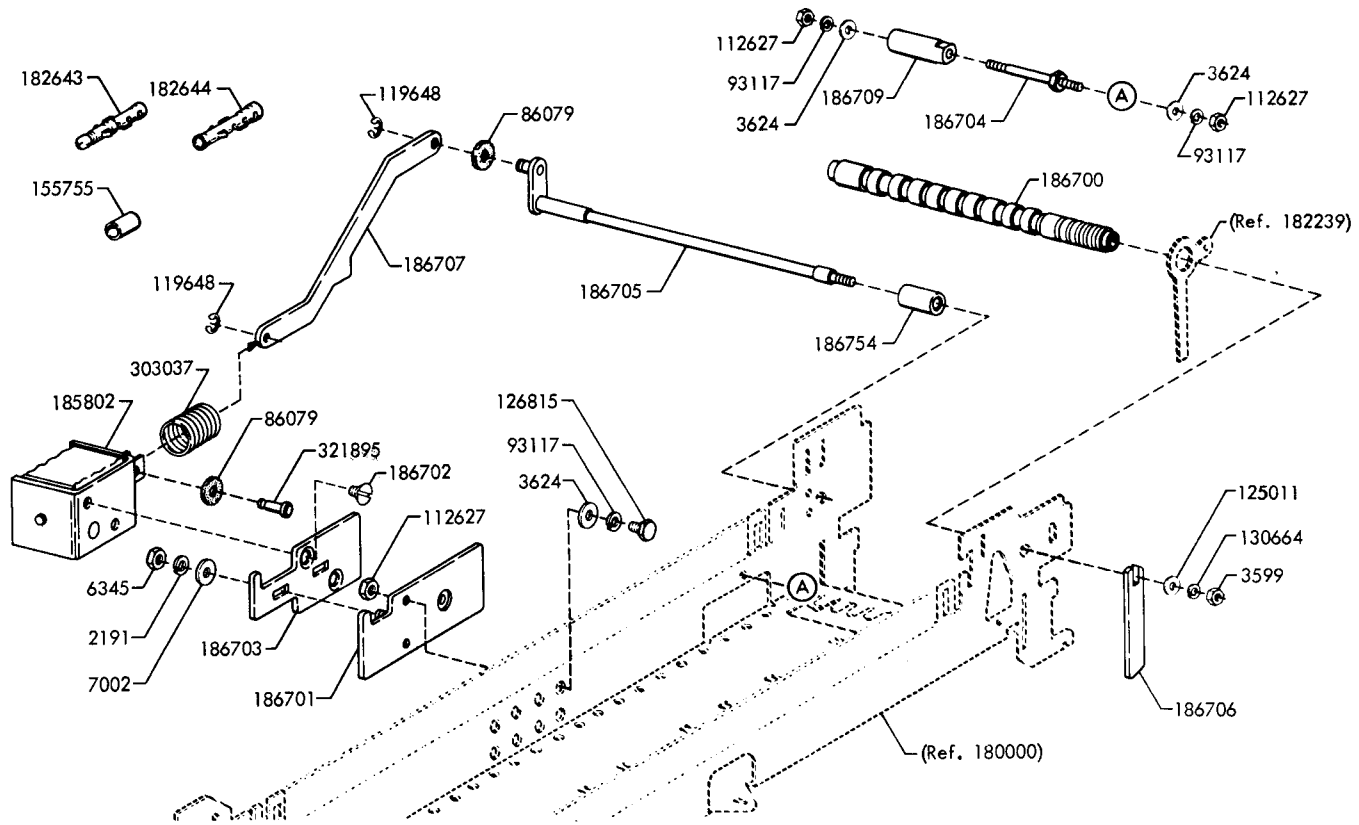


FIGURE 3. 186752 MODIFICATION KIT TO PROVIDE LOCKING FOR KEYBOARD

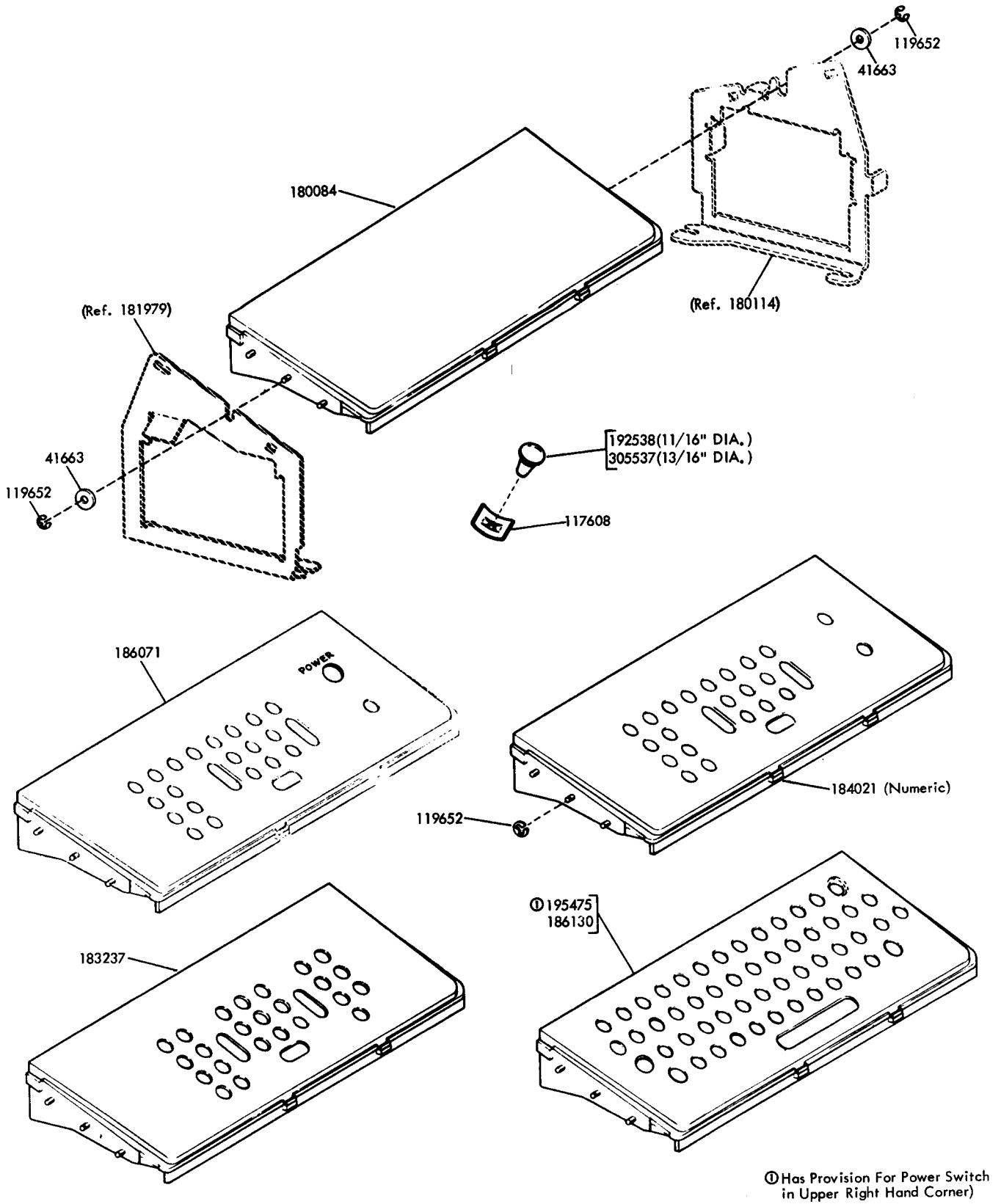
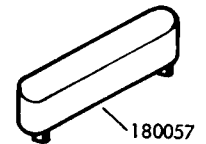
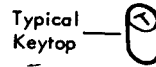
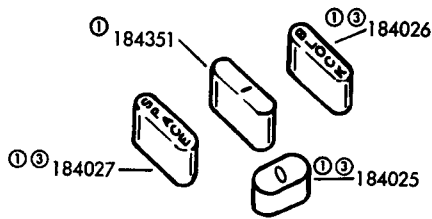


FIGURE 4. KEYBOARD COVERS



| Keytop Description | | | Keytop Description | | | Keytop Description | | |
|--------------------|-------|-------------|--------------------|-----------------|-------------|--------------------|-------|-------------|
| UNSHIFT | SHIFT | Part Number | UNSHIFT | SHIFT | Part Number | UNSHIFT | SHIFT | Part Number |
| A | | 180181 | P | @ | 180180 | 8 | | ①③ 184341 |
| A | SOM | *183891 | Q | | 180171 | 9 |) | 180168 |
| A | | ①③ 184343 | Q | X ON | *183888 | 9 | | ①③ 184342 |
| B | | 180194 | Q | X-ON | 184869 | 0 | | 180169 |
| B | | ①③ 184344 | Q | RLF | 185160 | ∅ | | 180374 |
| C | | 180192 | R | TAPE | 180174 | - | = | 180170 |
| C | | ①③ 184345 | R | | 180260 | , | < | 180197 |
| C | ETX | 185165 | R | FS | 185161 | . | > | 180198 |
| D | EOT | 180183 | S | | 180282 | ; | + | 180199 |
| D | | 180278 | S | X OFF | 180182 | / | ? | 180200 |
| D | | ①③ 184346 | S | X OFF | *183892 | : | * | 180205 |
| E | WRU | 180173 | S | | ③ 185374 | (No Symbol) | | ① 180299 |
| E | | 180259 | T | TAPE | 180175 | - | | 180336 |
| E | WRU | *183889 | T | | 180261 | | * | 180335 |
| F | RU | 180184 | T | PR | 185162 | | , | 180418 |
| F | | 180273 | T | | ③ 185395 | | . | 180419 |
| G | BELL | 180185 | U | | 180177 | / | ■ | 184895 |
| G | | 180274 | V | | 180193 | RUB OUT | | ①③ 180201 |
| G | BELL | *183890 | W | | 180172 | RETURN | | ①③ 180202 |
| H | | 180186 | X | | 180191 | LINE FEED | | ①③ 180203 |
| H | BS | 185163 | X | | ③ 185396 | HERE IS | | 180206 |
| I | TAB | 180178 | Y | | 180176 | BREAK | | 180207 |
| I | | 180262 | Z | | 180190 | REPT | | ①③ 180208 |
| J | | 180187 | 1 | ! | 180160 | ALT MODE | | 180257 |
| K | VT | 180188 | 1 | | ①③ 184334 | ESC | | 180382 |
| K | | 180280 | 1 | | 180264 | EOT | | ①③ 180440 |
| K | □ | 180383 | 2 | " | 180161 | DIV | | ① 180441 |
| K | I | 185090 | 2 | | ①③ 184335 | STORE | | ① 180442 |
| L | FORM | 180189 | 3 | # | 180162 | TYPE ORD | | ① 180443 |
| L | | 180281 | 3 | | ①③ 184336 | SECT | | ① 180444 |
| L | \ | 180385 | 4 | \$ | 180163 | SHIFT | | 180061 |
| L | FORM | 185164 | 4 | | ①③ 184337 | CTRL | | 181253 |
| M | | 180196 | 5 | % | 180164 | CTRL | | ② 181971 |
| M | □ | 180384 | 5 | | ①③ 184338 | FS | | ① 184815 |
| M | I | 185093 | 6 | & | 180165 | GS | | ① 184816 |
| N | ↑ | 180195 | 6 | | ①③ 184339 | RS | | ① 184817 |
| N | BLK | 185092 | 7 | ' | 180166 | US | | ① 184818 |
| N | ∧ | 185150 | 7 | | ①③ 184340 | CLR KYBD | | 184734 |
| O | ← | 180179 | 8 | (| 180167 | CTRL | | 185159 |
| O | └ | 185089 | | | | TAB | | 180373 |

NOTE:

All Keytops are gray with white characters except as noted.

- *Gray Keytops with yellow characters.
- ① Used on Numeric Keyboard.
- ② Used with parity control.
- ③ Used on Numeric Self-Contained Keyboard

FIGURE 5. KEYTOPS

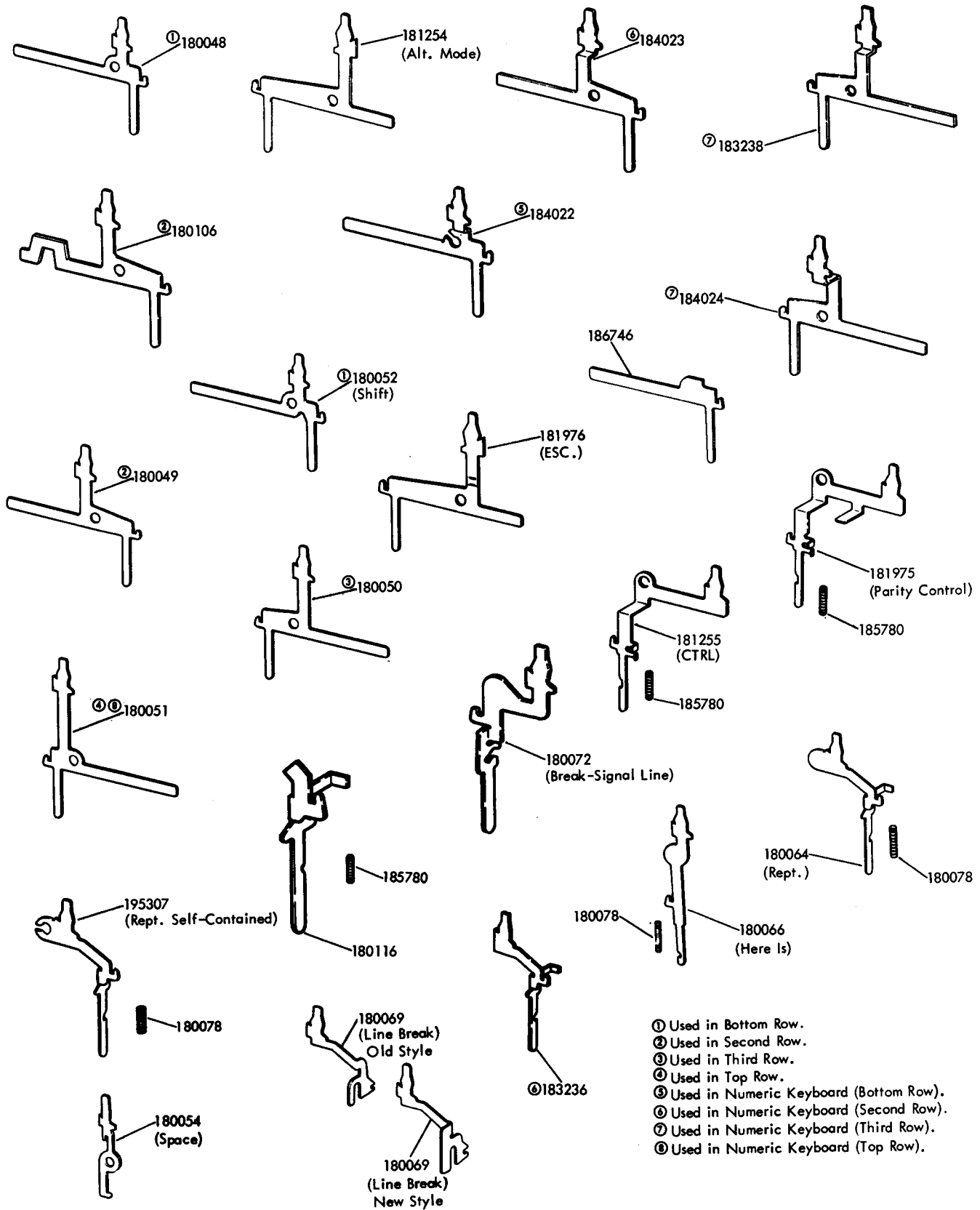


FIGURE 6. KEYLEVERS

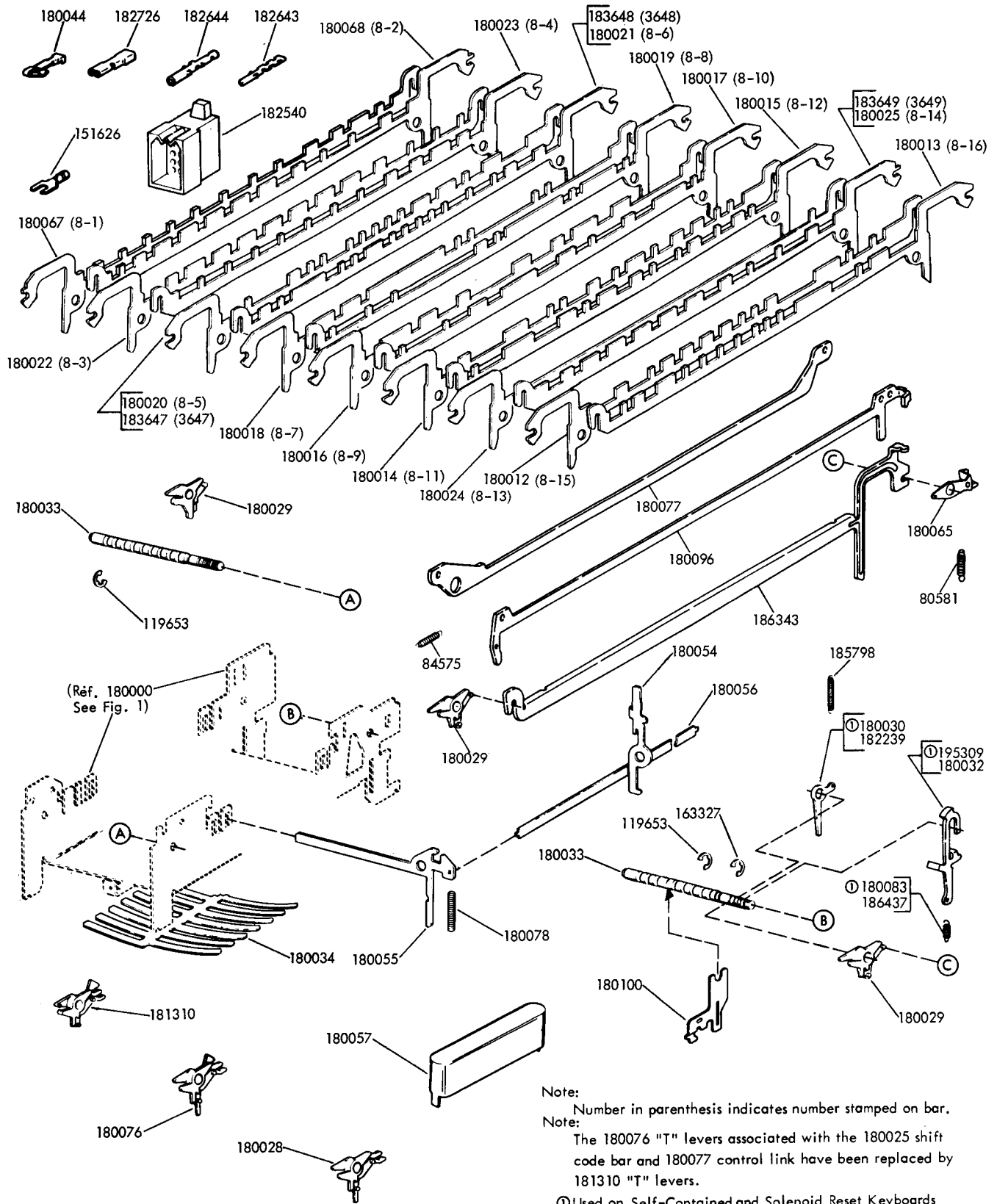


FIGURE 7. CODE BAR MECHANISM

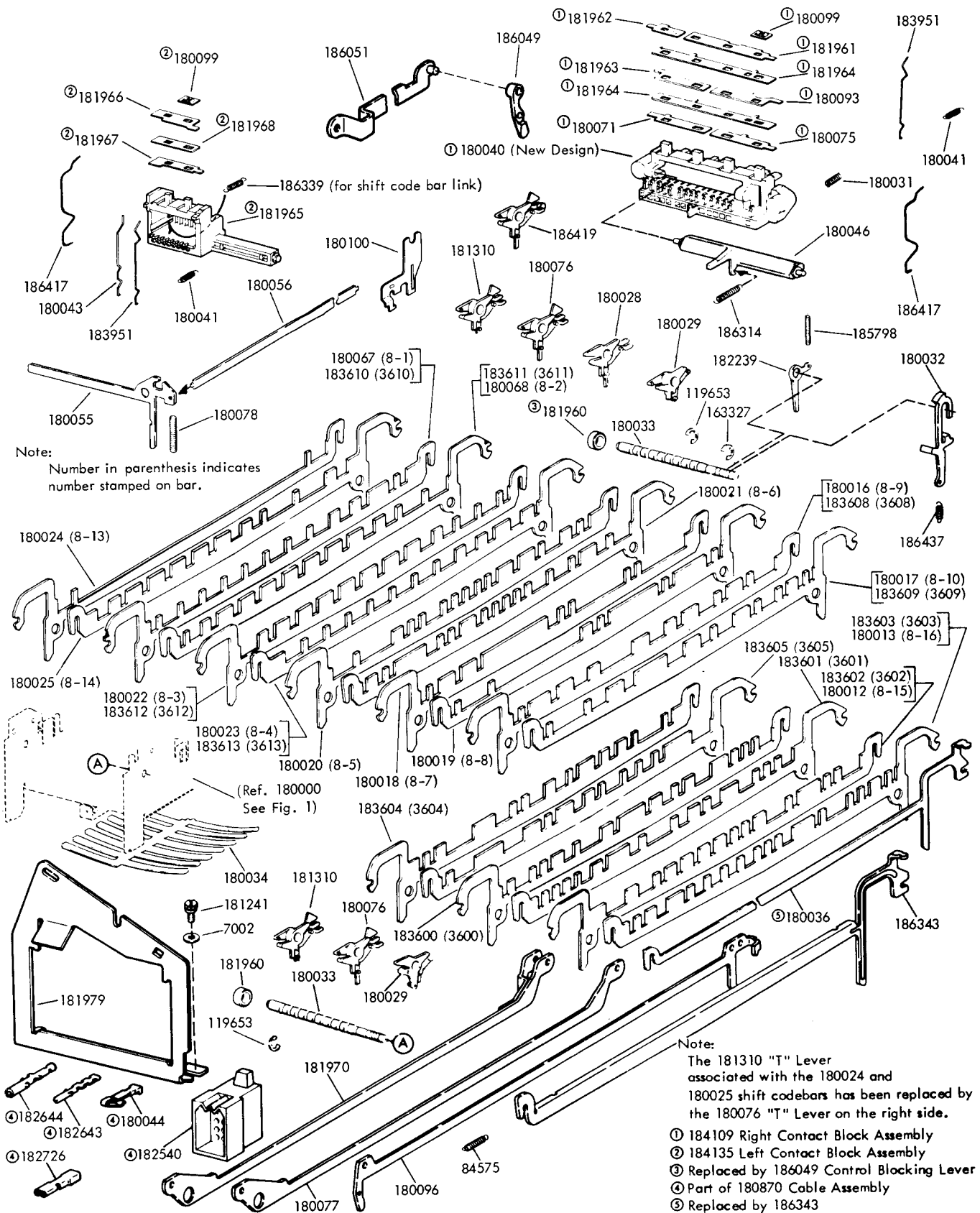


FIGURE 8. CODE BAR MECHANISM FOR UNITS EQUIPPED WITH EVEN PARITY

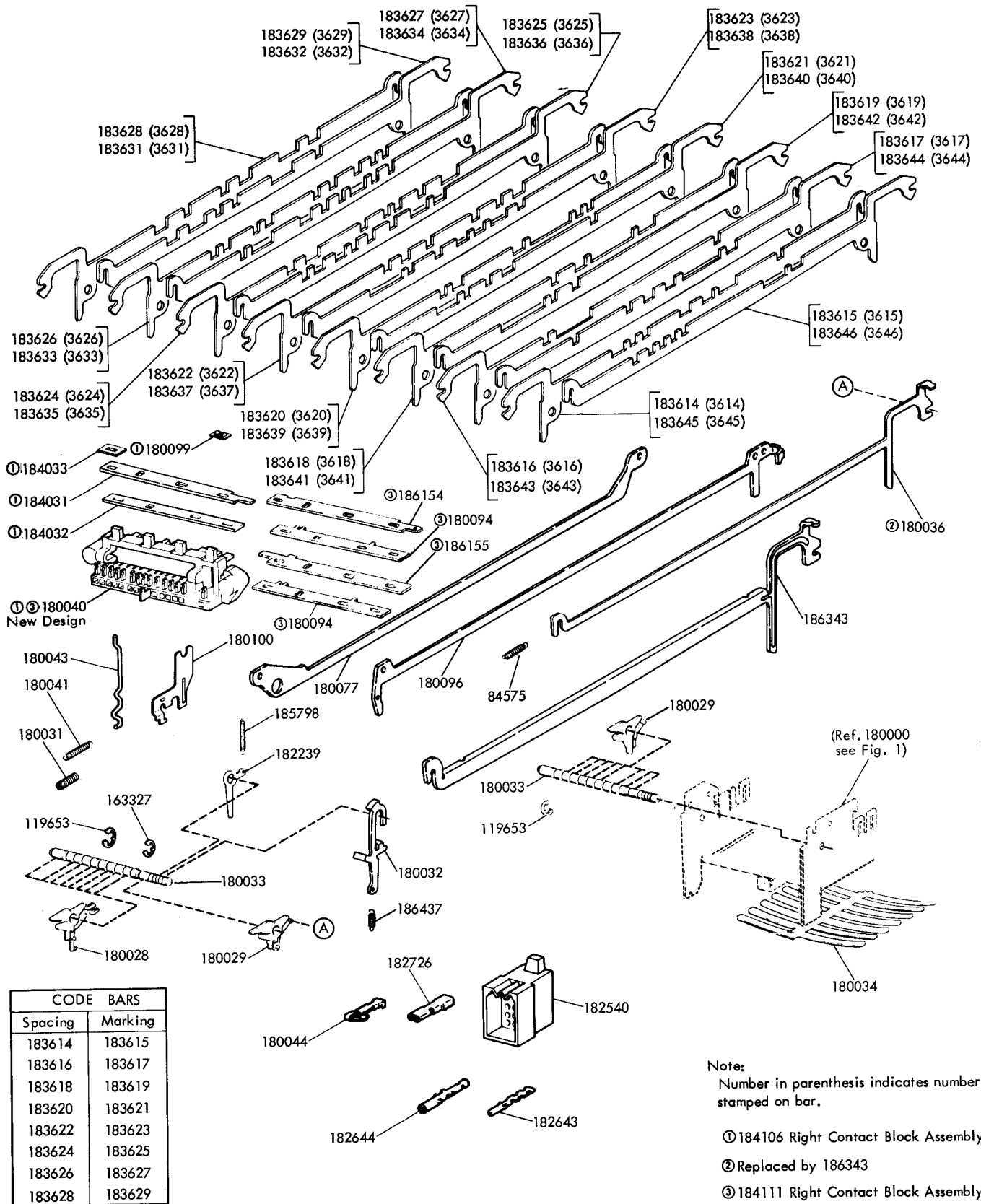


FIGURE 9. CODEBAR MECHANISM FOR NUMERIC KEYBOARD

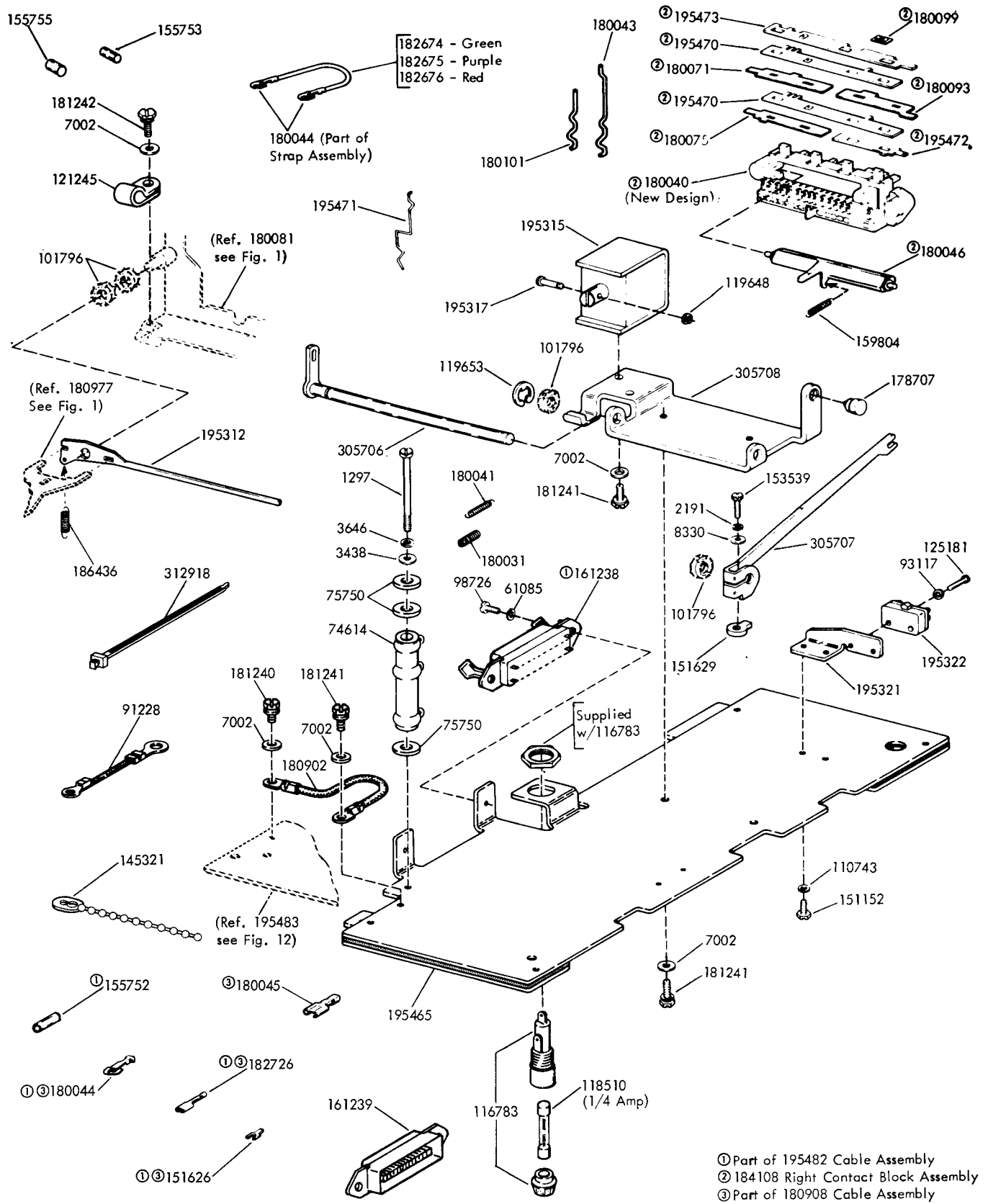


FIGURE 10. RESET MECHANISM FOR SELF-CONTAINED AND SOLENOID RESET KEYBOARDS

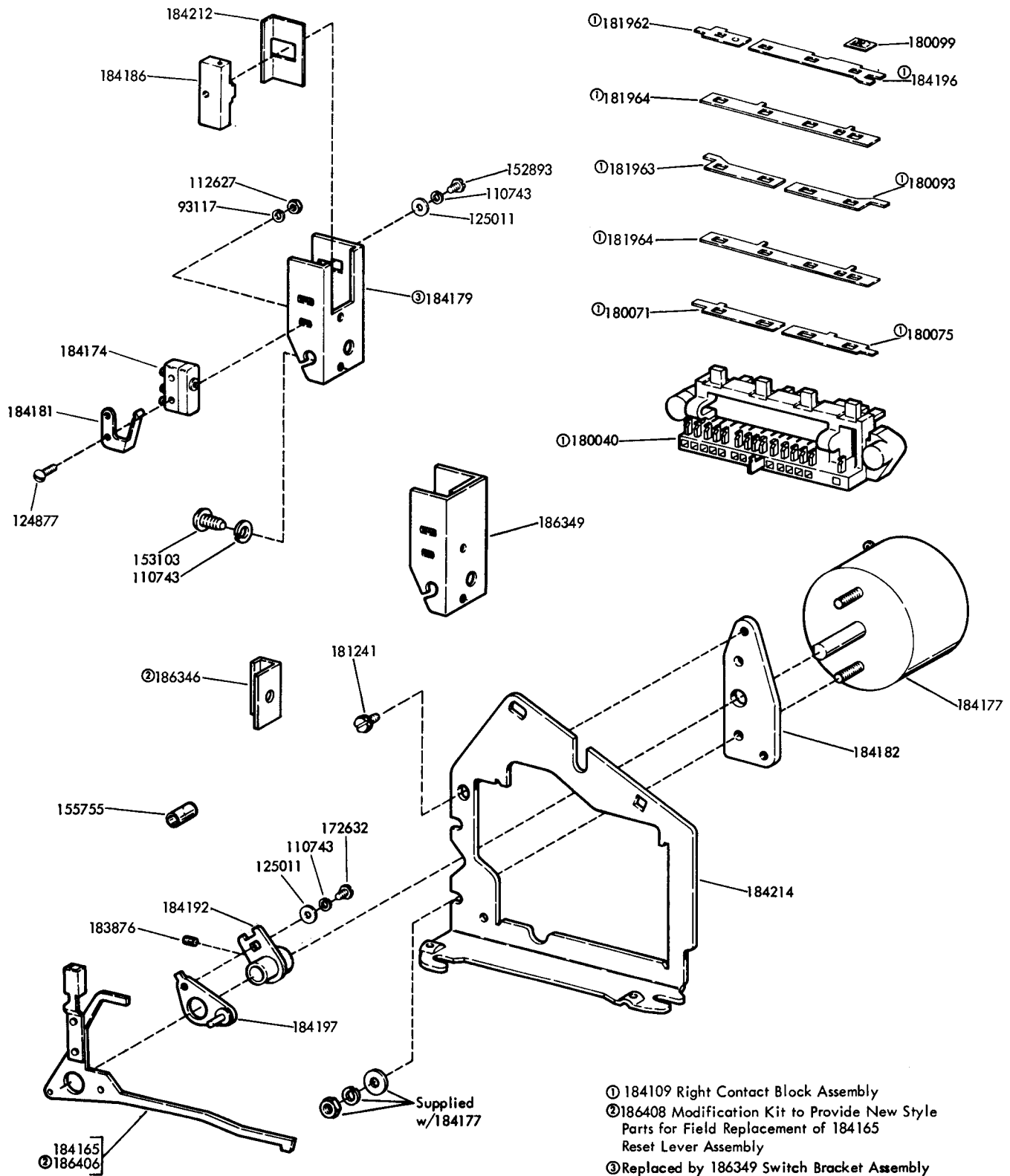
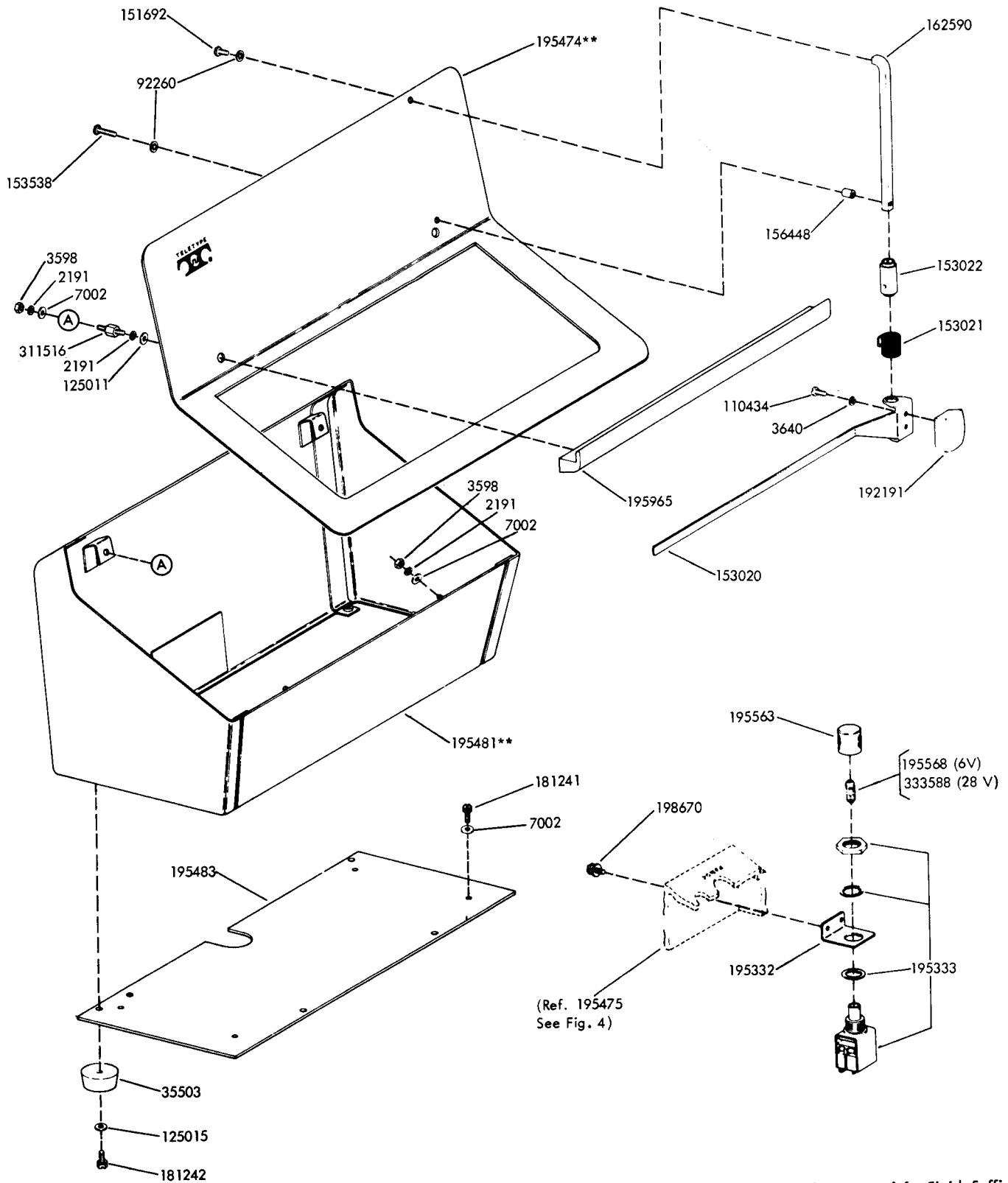


FIGURE 11. RESET MECHANISM FOR EVEN PARITY KEYBOARD



**Refer to Page 1 for Finish Suffix

FIGURE 12. COVER FOR SELF-CONTAINED AND SOLENOID RESET KEYBOARDS

NUMERICAL INDEX

| Part Number | Description and Page Number | Part Number | Description and Page Number | Part Number | Description and Page Number |
|-------------|-----------------------------|-------------|--|-------------|---------------------------------|
| 1297 | Screw, 6-40 x 2-7/16 Fil 10 | 151692 | Screw, 6-40 x 3/16 Fil 12 | 180033 | Shaft 7,8,9 |
| 2191 | Lockwasher 3,10,12 | 151721 | Screw, 6-40 x 3/4 Hex 3 | 180034 | Spring, Flat 7,8,9 |
| 3438 | Washer, Flat 10 | 151880 | Nut, 4-40 Hex 3 | 180036 | Bar, Universal Code 8,9 |
| 3598 | Nut, 6-40 Hex 12 | 152893 | Screw, 4040 x 1/4 Hex 11 | 180040 | Block, Contact 2,8,9,10, 11 |
| 3599 | Nut, 4-40 Hex 3 | 153020 | Guide, Line 12 | 180041 | Spring 2,8,9,10 |
| 3624 | Washer, Flat 2,3 | 153021 | Spring, Torsion 12 | 180043 | Wire, Contact 2,8,9,10 |
| 3640 | Lockwasher 3,12 | 153022 | Bushing 12 | 180044 | Terminal, Tab Type 2,7,8, 9,10 |
| 3646 | Lockwasher 10 | 153103 | Screw, 4-40 Self-Tapping 11 | 180045 | Terminal, Tab Type 10 |
| 6345 | Nut, 6-32 Hex 3 | 153267 | Washer, Felt 3 | 180046 | Bail, Contact Reset 2,8, 10 |
| 7002 | Washer, Flat 3,8,10,12 | 153538 | Screw, 6-40 x 7/16 Hex 12 | 180048 | Keylever 6 |
| 8330 | Washer, Flat 10 | 153539 | Screw, 6-40 x 11/16 Hex 10 | 180049 | Keylever 6 |
| 35503 | Foot, Rubber 12 | 155752 | Sleeve, 5/64 ID x 1/2 Lg Insulating 10 | 180050 | Keylever 6 |
| 41663 | Washer, Flat 4 | 155753 | Sleeve, 1/8 ID x 1/2 Lg Insulating 10 | 180051 | Keylever 6 |
| 61085 | Lockwasher 10 | 155755 | Sleeve, 11/64 ID x 5/8 Lg Insulating 3,10,11 | 180052 | Keylever, Shift 6 |
| 74614 | Resistor, 2,600 Ohm 10 | 156448 | Bushing 12 | 180054 | Keylever, Spacebar 6,7 |
| 75750 | Washer, Insulating 10 | 156633 | Washer, Felt 2 | 180055 | Keylever, Spacebar 7,8 |
| 80581 | Spring 7 | 159804 | Spring 10 | 180056 | Link, Space 7,8 |
| 84575 | Spring 7,8,9 | 161238 | Connector, 36 Pt Receptacle 10 | 180057 | Spacebar 5,7 |
| 86079 | Washer, Felt 3 | 161239 | Connector, 36 Pt Plug 10 | 180061 | Keytop 5 |
| 91228 | Strap, 2-1/2" Braided 10 | 161346 | Washer, Felt 3 | 180064 | Keylever, Repeat 6 |
| 91229 | Strap, 2" Braided 2 | 162590 | Shaft 12 | 180065 | Lever, Link Break 7 |
| 92260 | Lockwasher 12 | 163327 | Ring, Retaining 7,8,9 | 180066 | Keylever 6 |
| 93117 | Lockwasher 3,10,11 | 172632 | Screw, 4-40 x 3/16 Hex 11 | 180067 | Bar, No. 7 Rear Code 7,8 |
| 98726 | Screw, 3-48 x 1/4 Fil 10 | 178707 | Bumper, Rubber 10 | 180068 | Bar, No. 7 Front Code 7,8 |
| 100337 | Spring 2 | 180000 | Frame, Keyboard 2,3,7,8,9 | 180069 | Keylever, Line Break 6 |
| 101796 | Washer, Felt 10 | 180012 | Codebar No. 1 Rear 7,8 | 180071 | Terminal 2,8,10,11 |
| 110434 | Screw, 4-40 x 3/16 Fil 12 | 180013 | Codebar No. 1 Front 7,8 | 180072 | Keylever, Line Break 6 |
| 110743 | Lockwasher 10,11 | 180014 | Codebar No. 2 Rear 7 | 180075 | Terminal, Line Break 2,8, 10,11 |
| 112627 | Nut, 2-56 Hex 3,11 | 180015 | Codebar No. 2 Front 7 | 180076 | Lever, No. 5 Pulse 7,8 |
| 116783 | Holder, Fuse 10 | 180016 | Codebar No. 3 Rear 7,8 | 180077 | Link 7,8,9 |
| 117608 | Nut, Speed 4 | 180017 | Codebar No. 3 Front 7,8 | 180078 | Spring, Compression 6,7,8 |
| 118510 | Fuse, 1/4 Amp 10 | 180018 | Codebar No. 4 Rear 7,8 | 180081 | Bracket, Right Keyboard 2,3,10 |
| 119648 | Ring, Retaining 3,10 | 180019 | Codebar No. 4 Front 7,8 | 180082 | Bracket, Left Keyboard 2 |
| 119651 | Ring, Retaining 3 | 180020 | Codebar No. 5 Rear 7,8 | 180083 | Spring 7 |
| 119652 | Ring, Retaining 4 | 180021 | Codebar No. 5 Front 7,8 | 180084 | Cover, Keyboard 4 |
| 119653 | Ring, Retaining 7,8,9,10 | 180022 | Codebar No. 6 Rear 7,8 | 180090 | Terminal, Common 2 |
| 121245 | Clamp, 5/16 ID Cable 10 | 180023 | Codebar No. 5 Front 7,8 | 180093 | Terminal 2,8,10,11 |
| 124877 | Screw, 2-56 x 1/2 Rd 11 | 180024 | Codebar No. 5 Rear 7,8 | 180094 | Insulator 2,9 |
| 125011 | Washer, Flat 3,11,12 | 180025 | Codebar No. 5 Front 7,8 | 180096 | Link 7,8,9 |
| 125015 | Washer, Flat 12 | 180028 | Lever 7,8,9 | 180099 | Fastener 2,8,9,10,11 |
| 125179 | Screw, 6-32 x 3/16 Rd 3 | 180029 | Lever 7,8,9 | 180100 | Guide 7,8,9 |
| 125181 | Screw, 2-56 x 3/8 Fil 10 | 180030 | Lever, Latch 7 | 180101 | Wire, Contact 2,10 |
| 126815 | Screw, 2-56 x 15/64 Hex 3 | 180031 | Spring, Compression 2,8, 9,10 | 180106 | Keylever 6 |
| 130664 | Lockwasher 3 | 180032 | Lever, Non-Repeat 7,8,9 | 180107 | Detent 2 |
| 145321 | Tie, Cable 10 | | | 180114 | Bracket, Left Keyboard 2,4 |
| 151152 | Screw, 4-40 x 3/16 Hex 10 | | | | |
| 151626 | Terminal 7,10 | | | | |
| 151629 | Nut, 6-40 Lug 3,10 | | | | |
| 151686 | Screw, 6-40 x 3/8 Fil 3 | | | | |

NUMERICAL INDEX (Continued)

| Part Number | Description and Page Number | Part Number | Description and Page Number | Part Number | Description and Page Number |
|-------------|-----------------------------|-------------|---|-------------|---------------------------------------|
| 180115 | Modification Kit 2 | 180259 | Keytop 5 | 181968 | Insulator 8 |
| 180116 | Keylever 6 | 180260 | Keytop 5 | 181970 | Link w/Extension 8 |
| 180160 | Keytop 5 | 180261 | Keytop 5 | 181971 | Keytop 5 |
| 180161 | Keytop 5 | 180262 | Keytop 5 | 181975 | Keylever 6 |
| 180162 | Keytop 5 | 180264 | Keytop 5 | 181976 | Keylever 6 |
| 180163 | Keytop 5 | 180273 | Keytop 5 | 181979 | Bracket, Left Keyboard 2,4,8 |
| 180164 | Keytop 5 | 180274 | Keytop 5 | 182239 | Latchlever 3,7,8,9 |
| 180165 | Keytop 5 | 180278 | Keytop 5 | 182540 | Connector, 15 Pt Plug Type 7,8,9 |
| 180166 | Keytop 5 | 180280 | Keytop 5 | 182643 | Terminal, Plug Type 3,7,8,9 |
| 180167 | Keytop 5 | 180281 | Keytop 5 | 182644 | Terminal, Receptacle Type 3,7,8,9 |
| 180168 | Keytop 5 | 180282 | Keytop 5 | 182674 | Jumper, 2-1/4" Green 2,10 |
| 180169 | Keytop 5 | 180299 | Keytop 5 | 182675 | Jumper, 2-1/4" Purple 2,10 |
| 180170 | Keytop 5 | 180335 | Keytop 5 | 182676 | Jumper, 2-1/4" Red 2,10 |
| 180171 | Keytop 5 | 180336 | Keytop 5 | 182726 | Terminal, Receptacle Type 7,8,9,10 |
| 180172 | Keytop 5 | 180373 | Keytop 5 | 183236 | Keylever, Repeat 6 |
| 180173 | Keytop 5 | 180374 | Keytop 5 | 183237 | Cover, Keyboard 4 |
| 180174 | Keytop 5 | 180382 | Keytop 5 | 183238 | Keylever 6 |
| 180175 | Keytop 5 | 180383 | Keytop 5 | 183600 | Codebar 8 |
| 180176 | Keytop 5 | 180384 | Keytop 5 | 183601 | Codebar 8 |
| 180177 | Keytop 5 | 180385 | Keytop 5 | 183602 | Codebar 8 |
| 180178 | Keytop 5 | 180418 | Keytop 5 | 183603 | Codebar 8 |
| 180179 | Keytop 5 | 180419 | Keytop 5 | 183604 | Codebar 8 |
| 180180 | Keytop 5 | 180440 | Keytop 5 | 183605 | Codebar 8 |
| 180181 | Keytop 5 | 180441 | Keytop 5 | 183608 | Codebar 8 |
| 180182 | Keytop 5 | 180442 | Keytop 5 | 183609 | Codebar 8 |
| 180183 | Keytop 5 | 180443 | Keytop 5 | 183610 | Codebar 8 |
| 180184 | Keytop 5 | 180444 | Keytop 5 | 183611 | Codebar 8 |
| 180185 | Keytop 5 | 180870 | Cable Assembly 8 | 183612 | Codebar 8 |
| 180186 | Keytop 5 | 180902 | Jumper, 3-1/2 In. Braided 10 | 183613 | Codebar 8 |
| 180187 | Keytop 5 | 180908 | Cable Assembly 10 | 183614 | Codebar 9 |
| 180188 | Keytop 5 | 180977 | Plate w/Stud 2,10 | 183615 | Codebar 9 |
| 180189 | Keytop 5 | 181240 | Screw, w/Lockwasher 6-40 x 3/16 Hex | 183616 | Codebar 9 |
| 180190 | Keytop 5 | 181241 | Screw, w/Lockwasher, 6-40 x 1/4 Hex 8,10,11,12 | 183617 | Codebar 9 |
| 180191 | Keytop 5 | 181242 | Screw, w/Lockwasher, 6-40 x 5/16 Hex 10,12 | 183618 | Codebar 9 |
| 180192 | Keytop 5 | 181253 | Keytop 5 | 183619 | Codebar 9 |
| 180193 | Keytop 5 | 181254 | Keylever 6 | 183620 | Codebar 9 |
| 180194 | Keytop 5 | 181255 | Keylever 6 | 183621 | Codebar 9 |
| 180195 | Keytop 5 | 181310 | Lever 7,8 | 183622 | Codebar 9 |
| 180196 | Keytop 5 | 181860 | Spacer, .144" Thk 8 | 183623 | Codebar 9 |
| 180197 | Keytop 5 | 181861 | Terminal 8 | 183624 | Codebar 9 |
| 180198 | Keytop 5 | 181960 | Spacer, .144" Thk 8 | 183625 | Codebar 9 |
| 180199 | Keytop 5 | 181962 | Terminal 8,11 | 183626 | Codebar 9 |
| 180200 | Keytop 5 | 181963 | Terminal, Parity 8,11 | 183627 | Codebar 9 |
| 180201 | Keytop 5 | 181964 | Insulator 8,11 | 183628 | Codebar 9 |
| 180202 | Keytop 5 | 181965 | Block, Contact 8 | | |
| 180203 | Keytop 5 | 181966 | Terminal 8 | | |
| 180205 | Keytop 5 | 181967 | Terminal 8 | | |
| 180206 | Keytop 5 | | | | |
| 180207 | Keytop 5 | | | | |
| 180208 | Keytop 5 | | | | |
| 180257 | Keytop 5 | | | | |

NUMERICAL INDEX (Continued)

| Part Number | Description and Page Number | Part Number | Description and Page Number | Part Number | Description and Page Number |
|-------------|---------------------------------------|-------------|-----------------------------|-------------|---|
| 183629 | Codebar 9 | 184177 | Solenoid, Rotary 11 | 185802 | Solenoid 3 |
| 183631 | Codebar 9 | 184179 | Bracket 11 | 185803 | Clip 3 |
| 183632 | Codebar 9 | 184181 | Actuator 11 | 185804 | Bracket 3 |
| 183633 | Codebar 9 | 184182 | Plate 11 | 185805 | Lever 3 |
| 183634 | Codebar 9 | 184186 | Switch, Reed 11 | 185806 | Shaft 3 |
| 183635 | Codebar 9 | 184192 | Plate w/Hub 11 | 185871 | Screw w/Lockwasher, 8-32 x 3/8 Hex 2 |
| 183636 | Codebar 9 | 184196 | Terminal 11 | 186049 | Lever 8 |
| 183637 | Codebar 9 | 184197 | Plate w/Stud 11 | 186051 | Link 8 |
| 183638 | Codebar 9 | 184212 | Guide 11 | 186071 | Cover 4 |
| 183639 | Codebar 9 | 184214 | Bracket, Right 11 | 186130 | Cover 4 |
| 183640 | Codebar 9 | 184334 | Keytop 5 | 186154 | Terminal 9 |
| 183641 | Codebar 9 | 184335 | Keytop 5 | 186155 | Terminal 9 |
| 183642 | Codebar 9 | 184336 | Keytop 5 | 186253 | Lever w/Hub 2,3 |
| 183643 | Codebar 9 | 184337 | Keytop 5 | 186314 | Spring 2,8 |
| 183644 | Codebar 9 | 184338 | Keytop 5 | 186339 | Spring 8 |
| 183645 | Codebar 9 | 184339 | Keytop 5 | 186343 | Codebar 7,8,9 |
| 183646 | Codebar 9 | 184340 | Keytop 5 | 186346 | Shield, Magnetic 11 |
| 183647 | Codebar 7 | 184341 | Keytop 5 | 186349 | Bracket 11 |
| 183648 | Codebar 7 | 184342 | Keytop 5 | 186406 | Lever, Reset 11 |
| 183649 | Codebar 7 | 184343 | Keytop 5 | 186408 | Modification Kit 11 |
| 183876 | Screw, 6-32 Set 11 | 184344 | Keytop 5 | 186417 | Wire, Contact 8 |
| 183888 | Keytop 5 | 184345 | Keytop 5 | 186419 | Lever 8 |
| 183889 | Keytop 5 | 184346 | Keytop 5 | 186435 | Spring 2 |
| 183890 | Keytop 5 | 184351 | Keytop 5 | 186436 | Spring 10 |
| 183891 | Keytop 5 | 184734 | Keytop 5 | 186437 | Spring 7,8,9 |
| 183892 | Keytop 5 | 184815 | Keytop 5 | 186700 | Shaft 3 |
| 183951 | Wire, Contact 2,8 | 184816 | Keytop 5 | 186701 | Plate 3 |
| 184021 | Cover, Keyboard 4 | 184817 | Keytop 5 | 186702 | Screw, 6-32 Spl 3 |
| 184022 | Keylever 6 | 184818 | Keytop 5 | 186703 | Plate, Top Mounting 3 |
| 184023 | Keylever 6 | 184869 | Keytop 5 | 186704 | Stud 3 |
| 184024 | Keylever 6 | 184895 | Keytop 5 | 186705 | Shaft 3 |
| 184025 | Keytop 5 | 185089 | Keytop 5 | 186706 | Cam, Trip 3 |
| 184026 | Keytop 5 | 185090 | Keytop 5 | 186707 | Lever 3 |
| 184027 | Keytop 5 | 185092 | Keytop 5 | 186709 | Bushing, Eccentric 3 |
| 184031 | Terminal 9 | 185093 | Keytop 5 | 186746 | Lever 6 |
| 184032 | Insulator, .031" Thk 9 | 185150 | Keytop 5 | 186752 | Modification Kit 1,3 |
| 184033 | Spacer, .035" Thk 9 | 185159 | Keytop 5 | 186754 | Bushing 3 |
| 184106 | Block Assembly, Right Contact 9 | 185160 | Keytop 5 | 192191 | Knob 12 |
| 184107 | Block Assembly, Right Contact 2 | 185161 | Keytop 5 | 192538 | Plug, Button 4 |
| 184108 | Block Assembly, Right Contact 10 | 185162 | Keytop 5 | 195307 | Keylever, Repeat 6 |
| 184109 | Block Assembly, Right Contact 8,11 | 185163 | Keytop 5 | 195309 | Lever, Non-Repeat 7 |
| 184111 | Block Assembly, Right Contact 9 | 185164 | Keytop 5 | 195312 | Lever, Reset 10 |
| 184135 | Block Assembly, Left Contact 8 | 185165 | Keytop 5 | 195315 | Solenoid w/Plunger 10 |
| 184165 | Lever, Reset 11 | 185394 | Keytop 5 | 195317 | Pin 10 |
| 184174 | Switch, SP-DT 11 | 185395 | Keytop 5 | 195321 | Bracket, Switch 10 |
| | | 185396 | Keytop 5 | 195322 | Switch 10 |
| | | 185619 | Frame, Left Keyboard 2 | 195332 | Bracket, Power Switch 12 |
| | | 185620 | Frame, Right Keyboard 2 | 195333 | Switch, Pushbutton 12 |
| | | 185780 | Spring, Compression 6 | 195465 | Plate, Mounting 10 |
| | | 185798 | Spring 7,8,9 | 195470 | Insulator, .031" Thk 10 |
| | | 185801 | Modification Kit 1,3 | | |

NUMERICAL INDEX (Continued)

| Part Number | Description and Page Number | Part Number | Description and Page Number | Part Number | Description and Page Number |
|-------------|-----------------------------|-------------|---|-------------|-----------------------------|
| 195471 | Wire, Contact 10 | 195483 | Plate 10,12 | 305537 | Plug, Button 4 |
| 195472 | Terminal 10 | 195563 | Lens, Red Pushbutton 12 | 305706 | Shaft w/Link 10 |
| 195473 | Terminal, Common 10 | 195568 | Lamp, 6 V 12 | 305707 | Arm, Reset 10 |
| 195474** | Panel, Top 12 | 195965 | Tray, Copyholder 12 | 305708 | Bracket, Solenoid 10 |
| 195475 | Cover, Keyboard 4,12 | 198670 | Screw w/Lockwasher, 6-40 x 5/16 Hex 12 | 311516 | Post 12 |
| 195481** | Cover | 303037 | Spring, Compression 3 | 312918 | Strap 10 |
| 195482 | Cable Assembly 10 | | | 321895 | Post 3 |
| | | | | 333588 | Lamp, 28V Miniature 12 |

33 TYPING UNIT (UP)

PARTS

| FIGURE | CONTENTS | PAGE | FIGURE | CONTENTS | PAGE |
|--------|---|------|--------|--|------|
| 1 | Platen Mechanism-Friction Feed | 2 | 24 | Line Feed Function Lever Mechanism | 23 |
| 2 | Paper Handling Mechanism-Friction Feed | 3 | 25 | Function Levers | 24 |
| 3 | Platen Mechanism-Sprocket Feed | 4 | 26 | Function Levers (Continued) | 25 |
| 4 | Platen Mechanism-Sprocket Feed (Continued) | 5 | 27 | 185971 Modification Kit to Provide Printer With an End-of-Line Bell to Ring on Approximately the 62nd Character | 26 |
| 5 | Ribbon Feed Mechanism | 6 | 28 | 185791 Modification Kit to Provide Controlled Single or Double Line Feed Feature on Friction Feed Printer | 26 |
| 6 | Carriage Upper Plate Mechanism | 7 | 29 | Typewheel Chart | 27 |
| 7 | Carriage Lower Plate Mechanism | 8 | 30 | Typewheel Chart (Continued) | 28 |
| 8 | Carriage Power Bail Mechanism | 9 | 31 | Typewheel Chart (Continued) | 29 |
| 9 | Carriage Drive Bail Mechanism | 10 | 32 | Formout Mechanism-Sprocket Feed | 30 |
| 10 | Main Shaft Mechanism-Friction Feed | 11 | 33 | Later Design Formout Mechanism- Sprocket Feed | 31 |
| 11 | Main Shaft Mechanism-Sprocket Feed | 12 | 34 | Motor Contact-Sprocket Feed | 31 |
| 12 | 182015 Clutch Trip Lever Assembly | 13 | 35 | Solenoid Print-Nonprint Reset Mechanism | 32 |
| 13 | Code Bar Basket Mechanism | 14 | 36 | Base | 33 |
| 14 | Function Box Mechanism | 15 | 37 | Sub Bases | 34 |
| 15 | Function Shaft Mechanism | 16 | 38 | Motors | 35 |
| 16 | Selector Frame Mechanism | 17 | 39 | Electrical Components | 36 |
| 17 | Clutch and Camsleeve Mechanism | 18 | 40 | Cable Components | 37 |
| 18 | Distributor Clutch Mechanism | 19 | | Numerical Index | 38 |
| 19 | Trip Shaft Mechanism | 20 | | | |
| 20 | 182964 Drive Arm Assembly | 21 | | | |
| 21 | Clutch Trip Mechanism | 21 | | | |
| 22 | Answer-Back Drum Mechanism | 22 | | | |
| 23 | Answer-Back Trip Magnet Mechanism | 22 | | | |

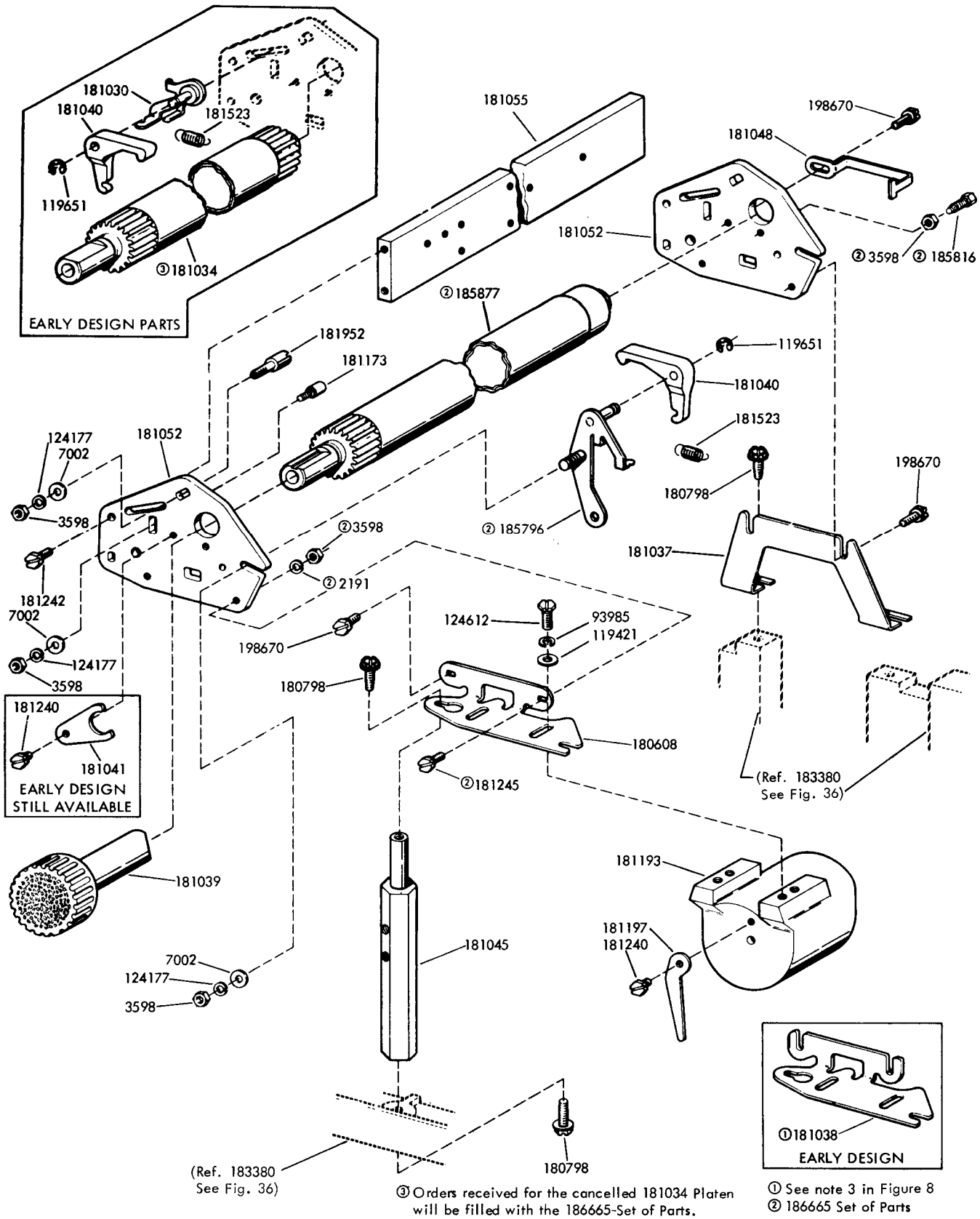


FIGURE 1. PLATEN MECHANISM - FRICTION FEED

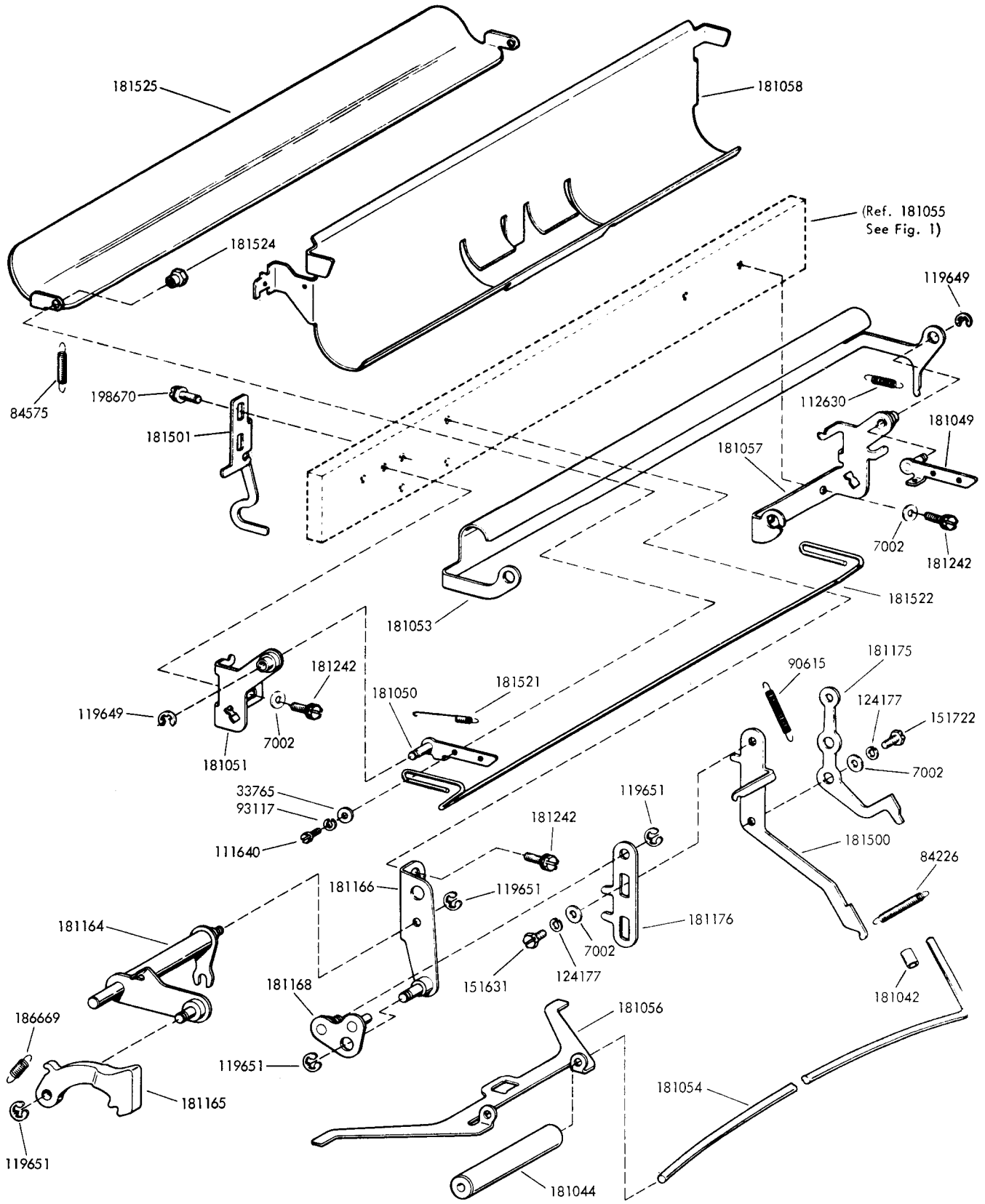


FIGURE 2. PAPER HANDLING MECHANISM - FRICTION FEED

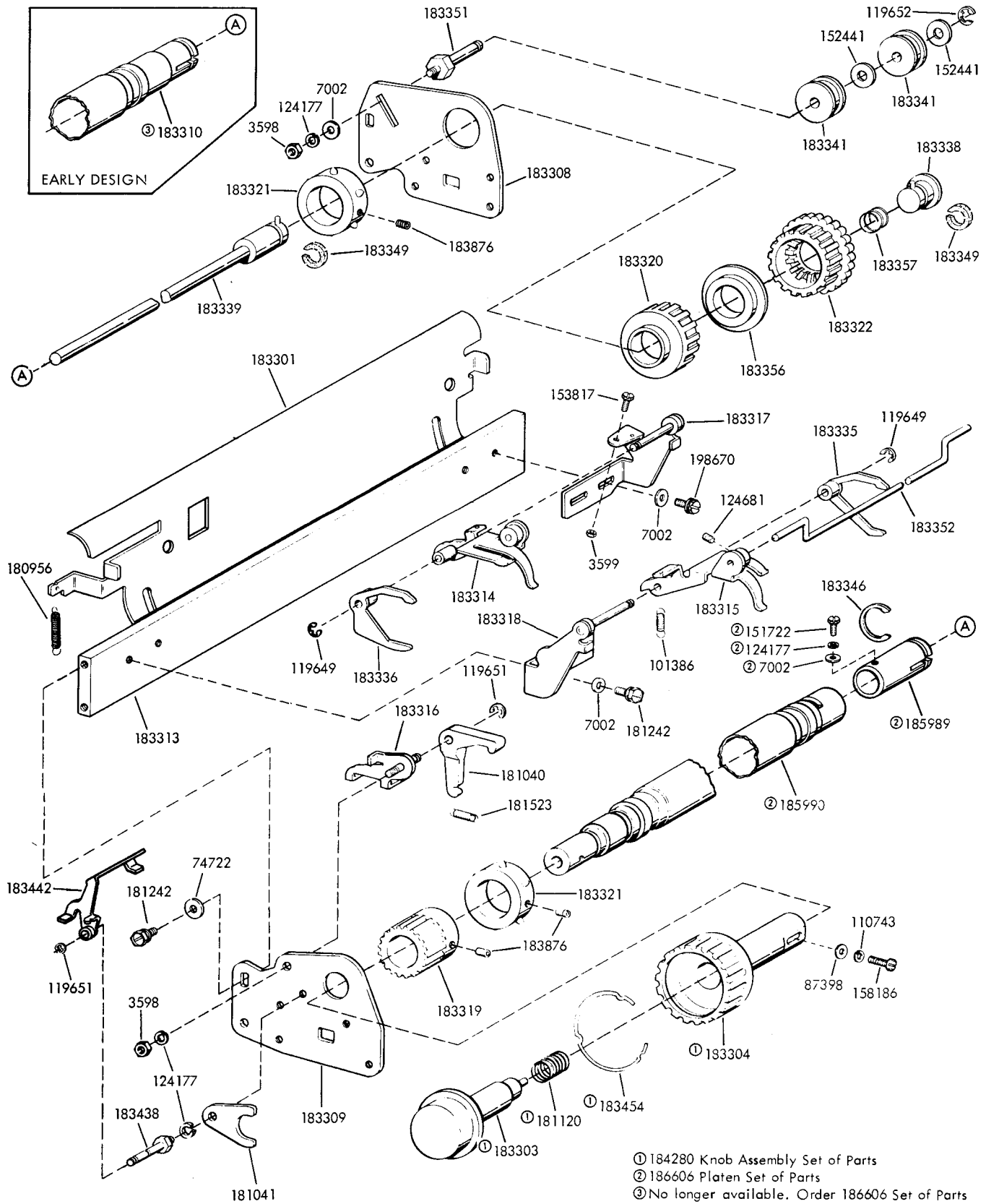


FIGURE 3. PLATEN MECHANISM - SPROCKET FEED

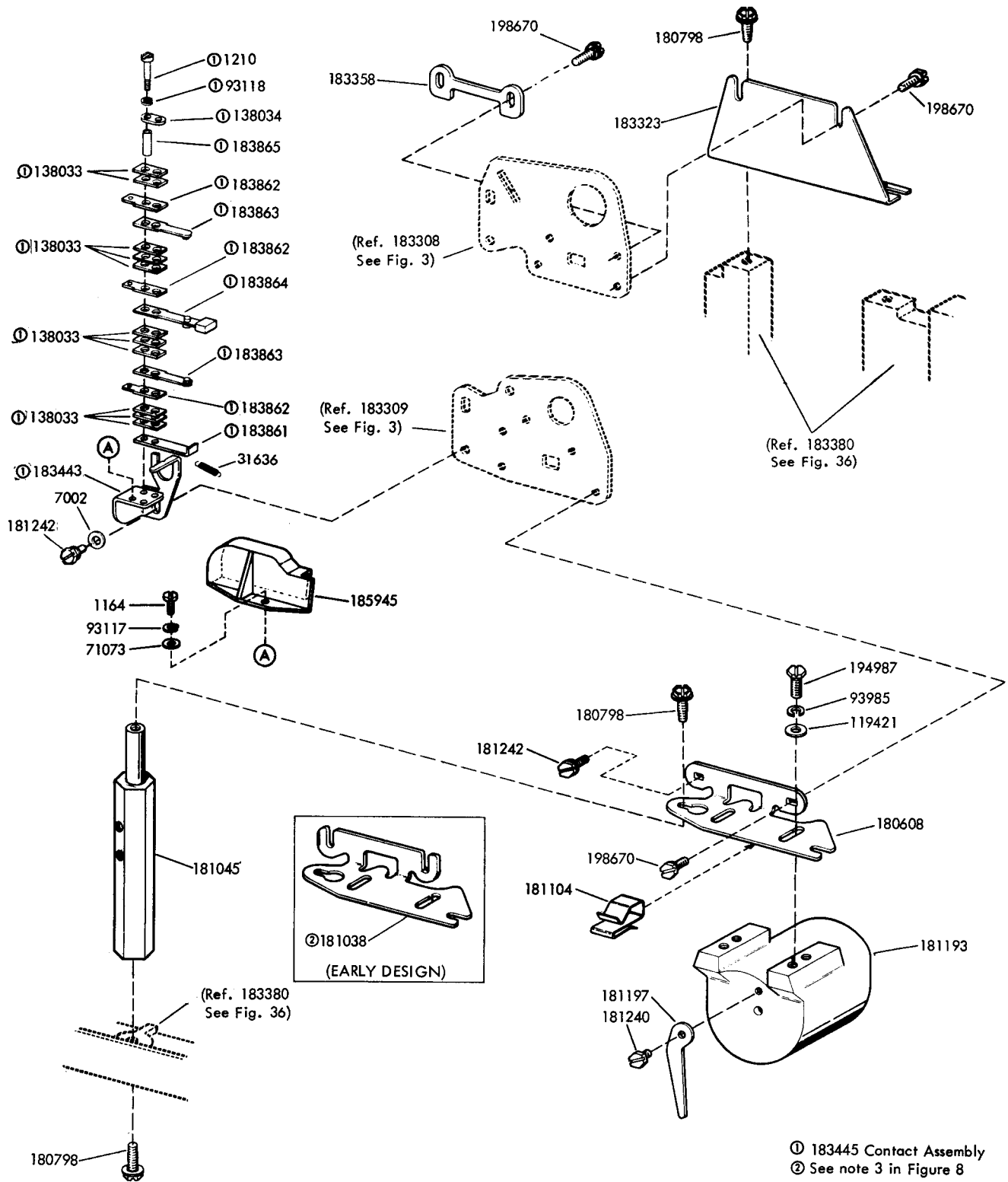


FIGURE 4. PLATEN MECHANISM - SPROCKET FEED (CONTINUED)

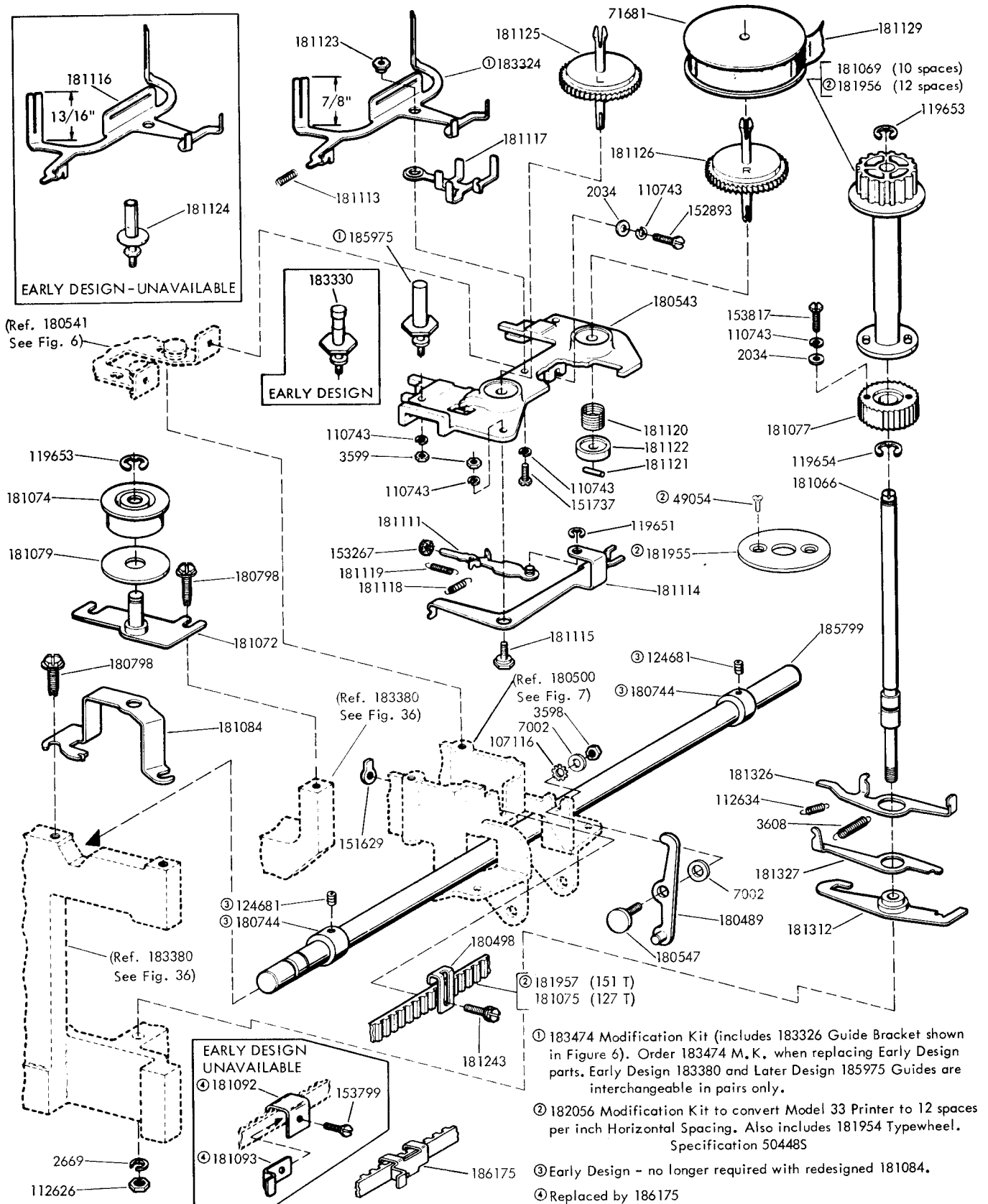


FIGURE 5. RIBBON FEED MECHANISM

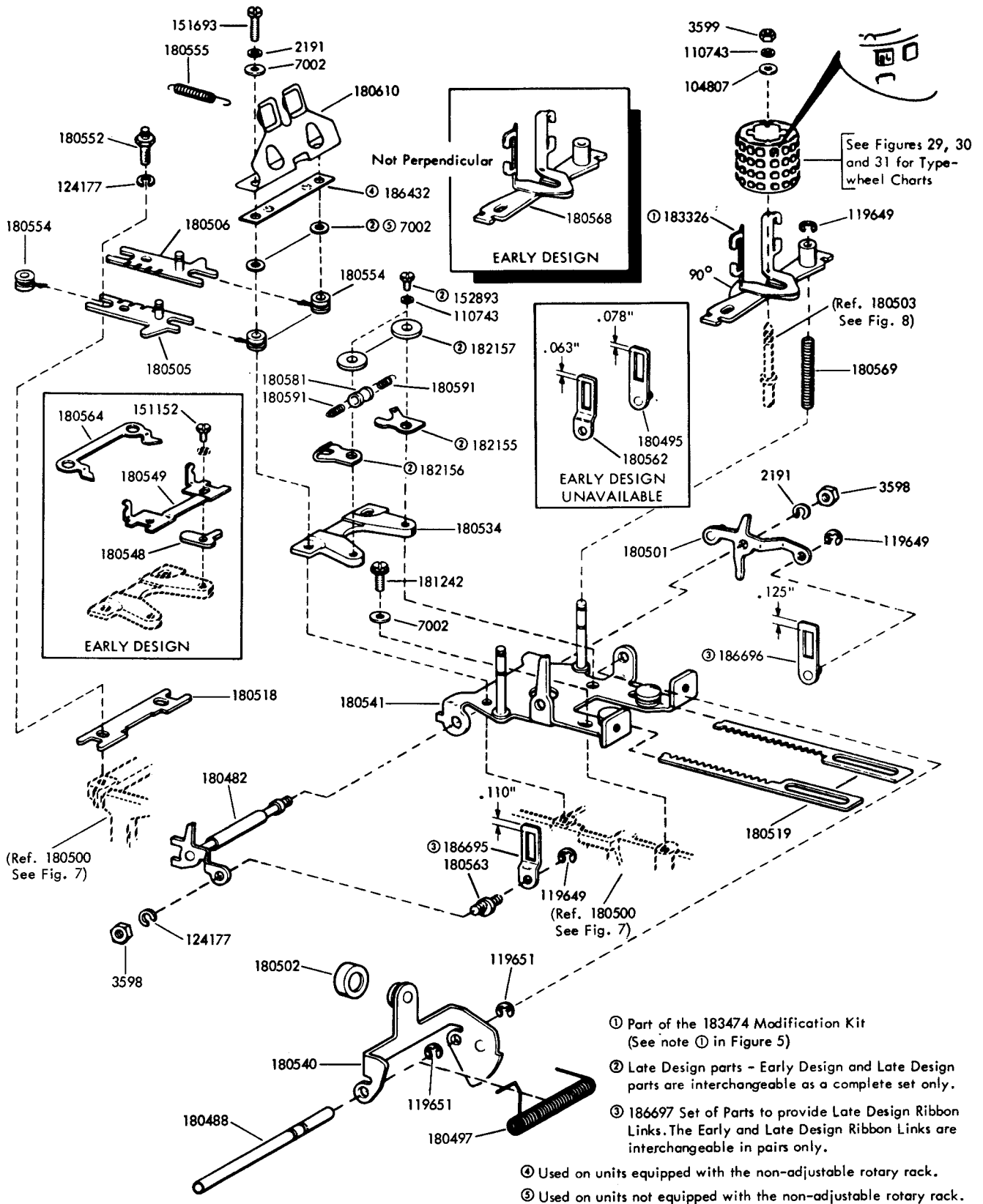


FIGURE 6. CARRIAGE UPPER PLATE MECHANISM

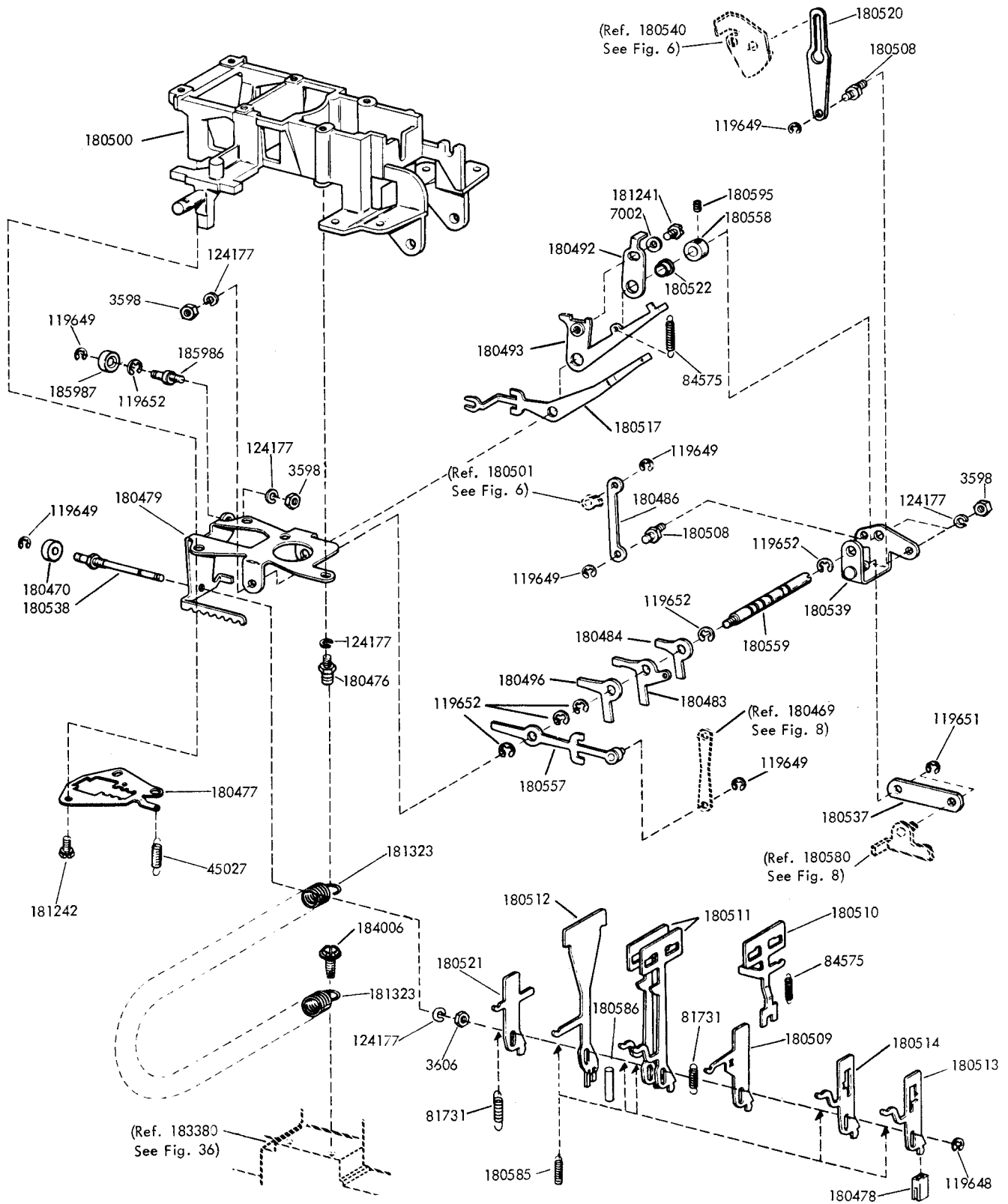


FIGURE 7. CARRIAGE LOWER PLATE MECHANISM

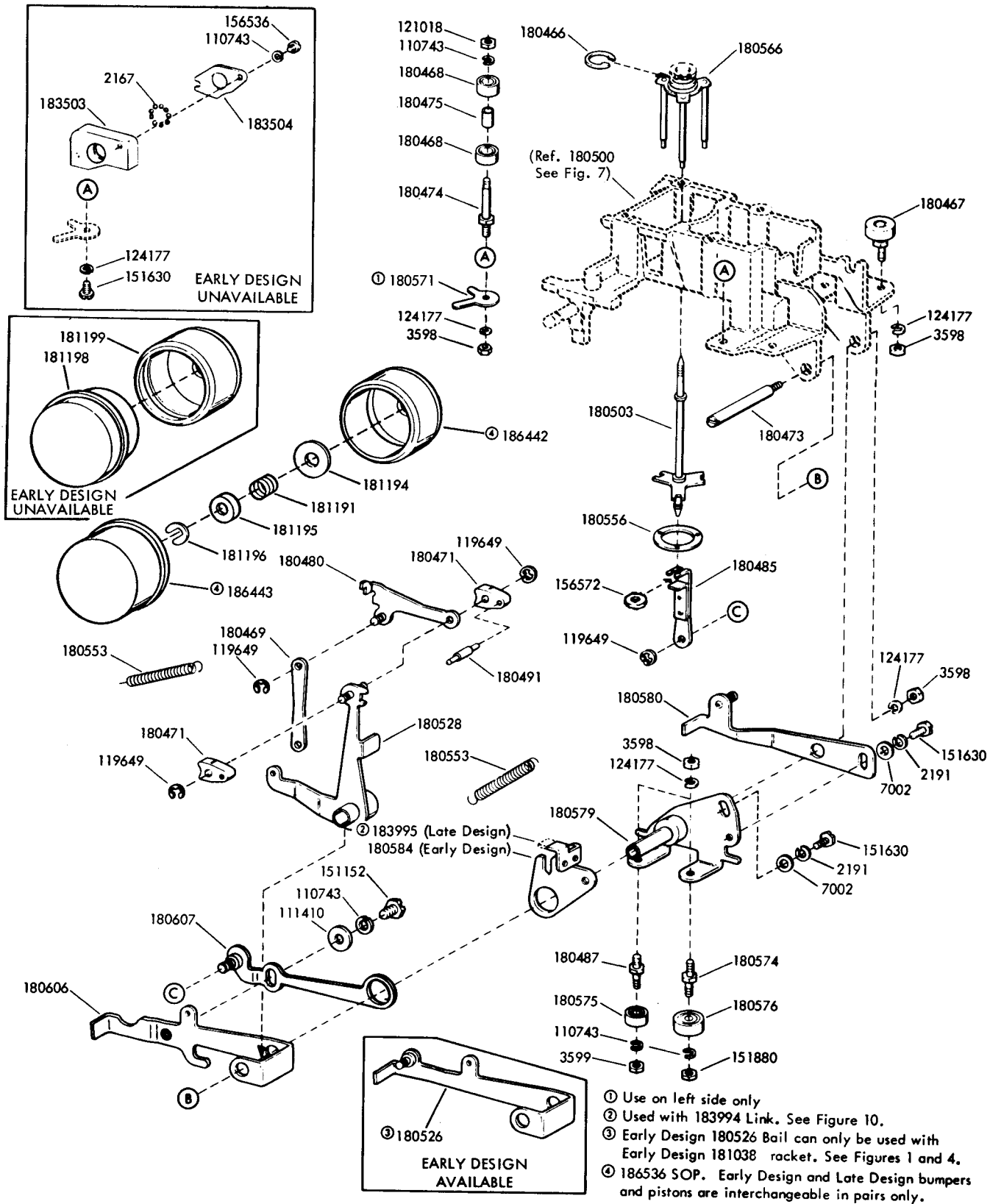


FIGURE 8. CARRIAGE POWER BAIL MECHANISM

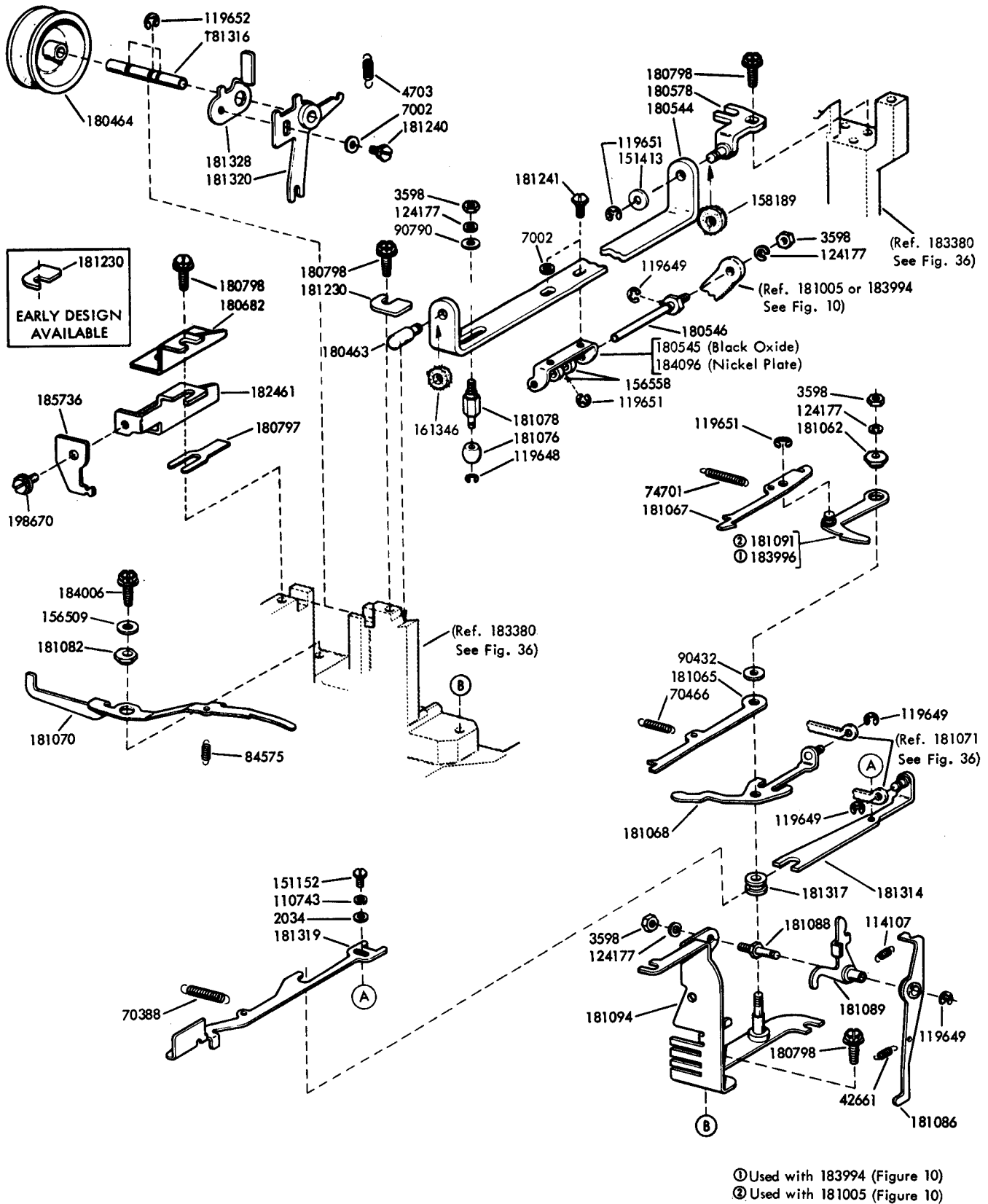


FIGURE 9. CARRIAGE DRIVE BAIL MECHANISM

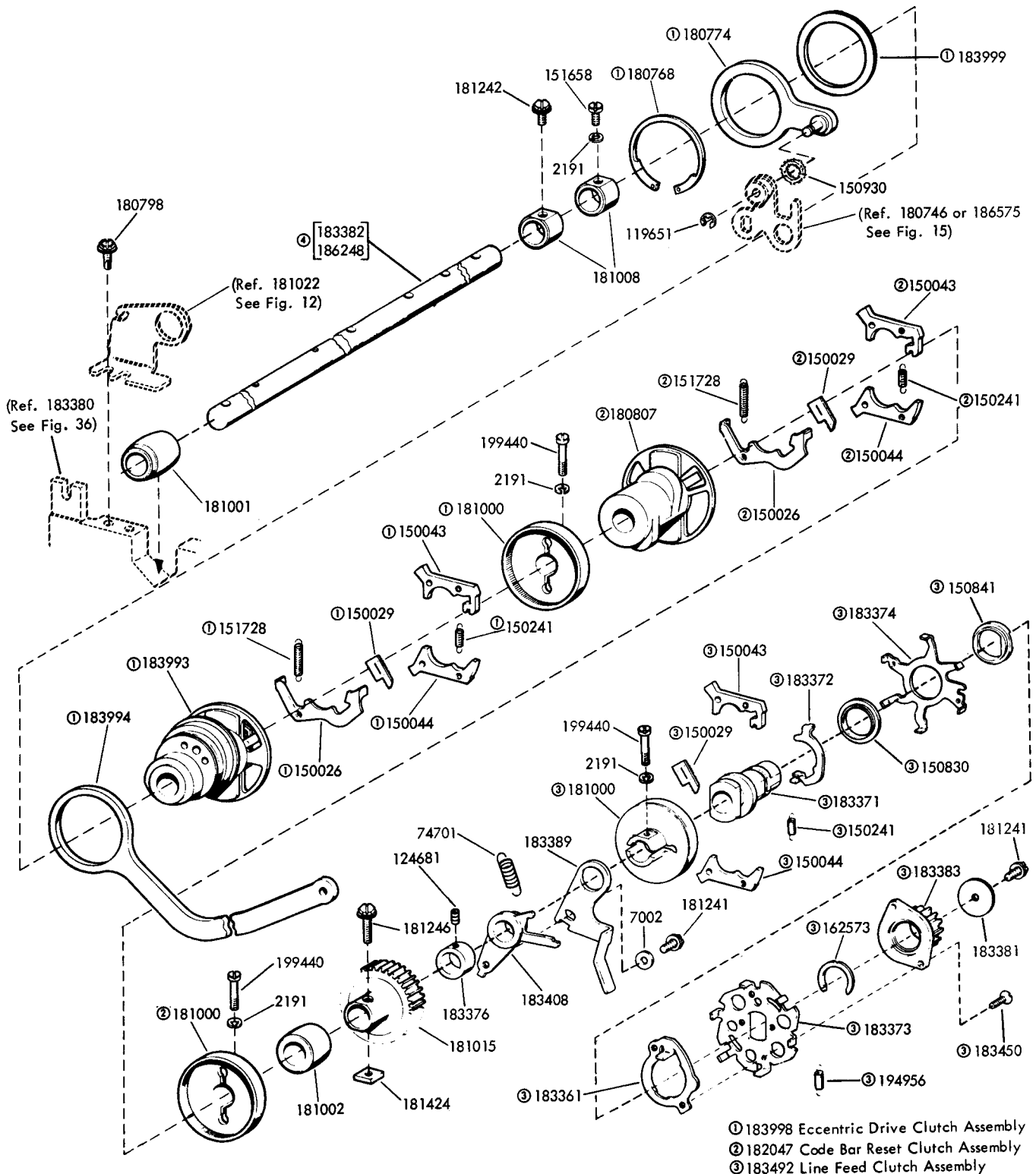


FIGURE 11. MAIN SHAFT MECHANISM - SPROCKET FEED

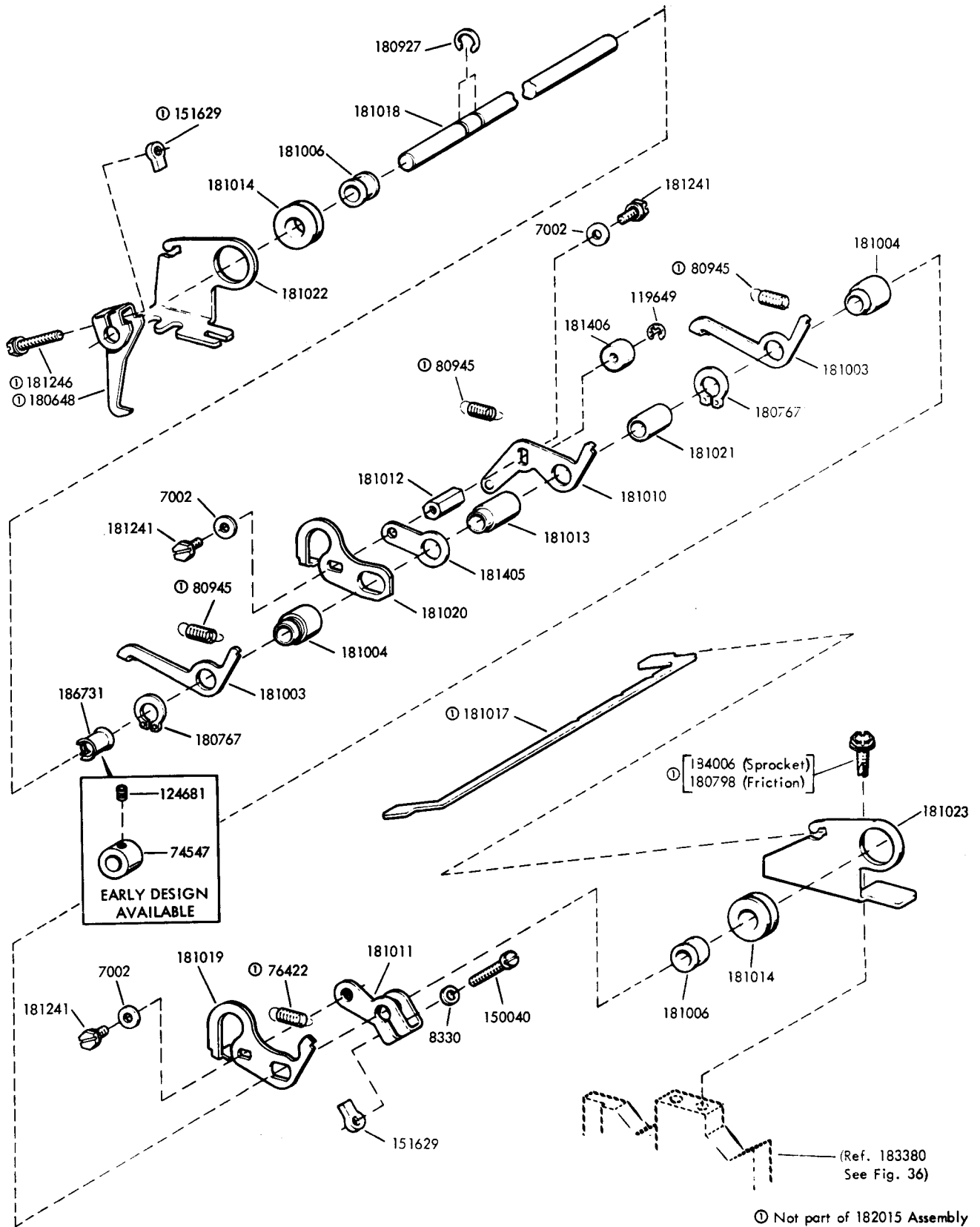


FIGURE 12. 182015 CLUTCH TRIP LEVER ASSEMBLY

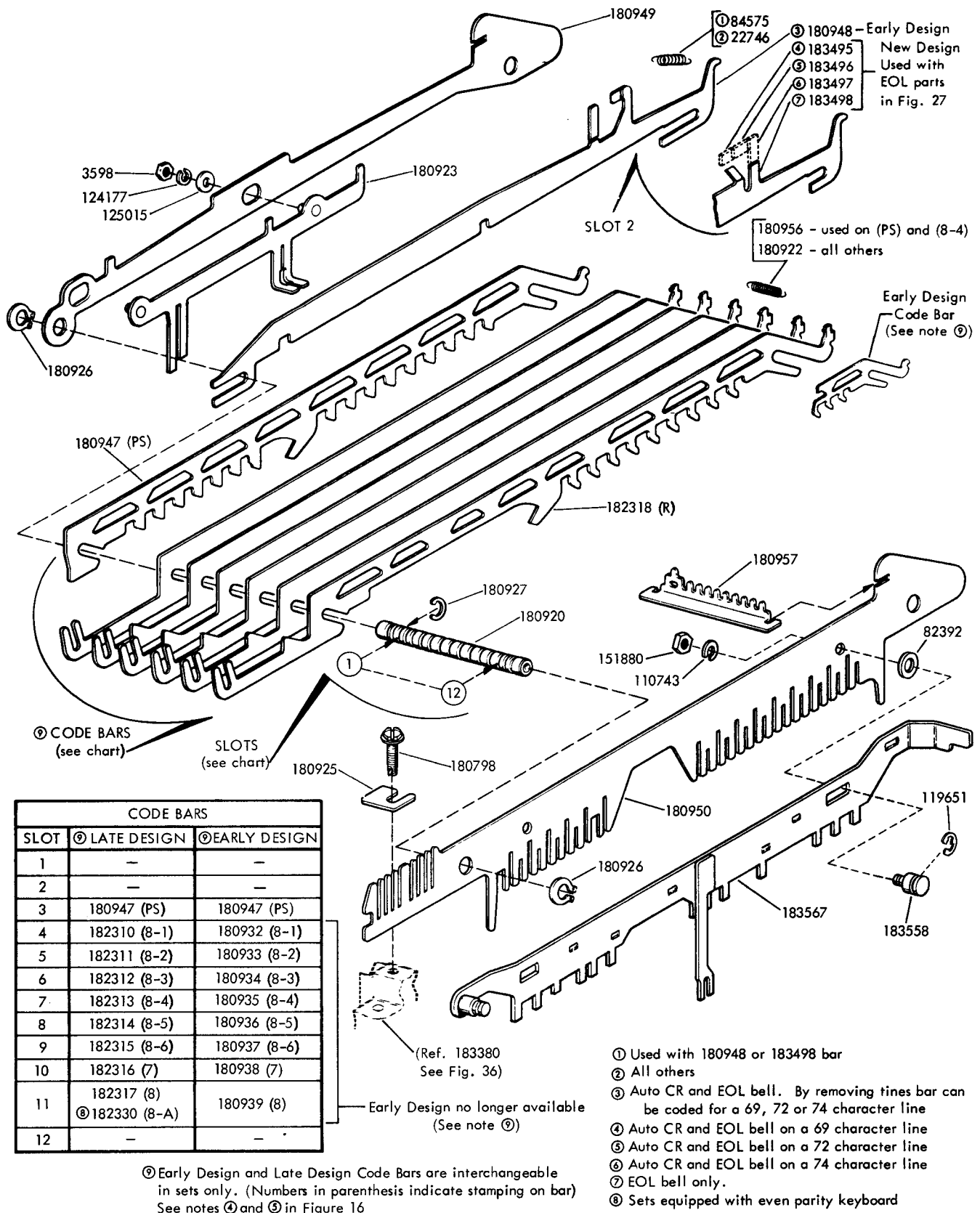


FIGURE 13. CODE BAR BASKET MECHANISM

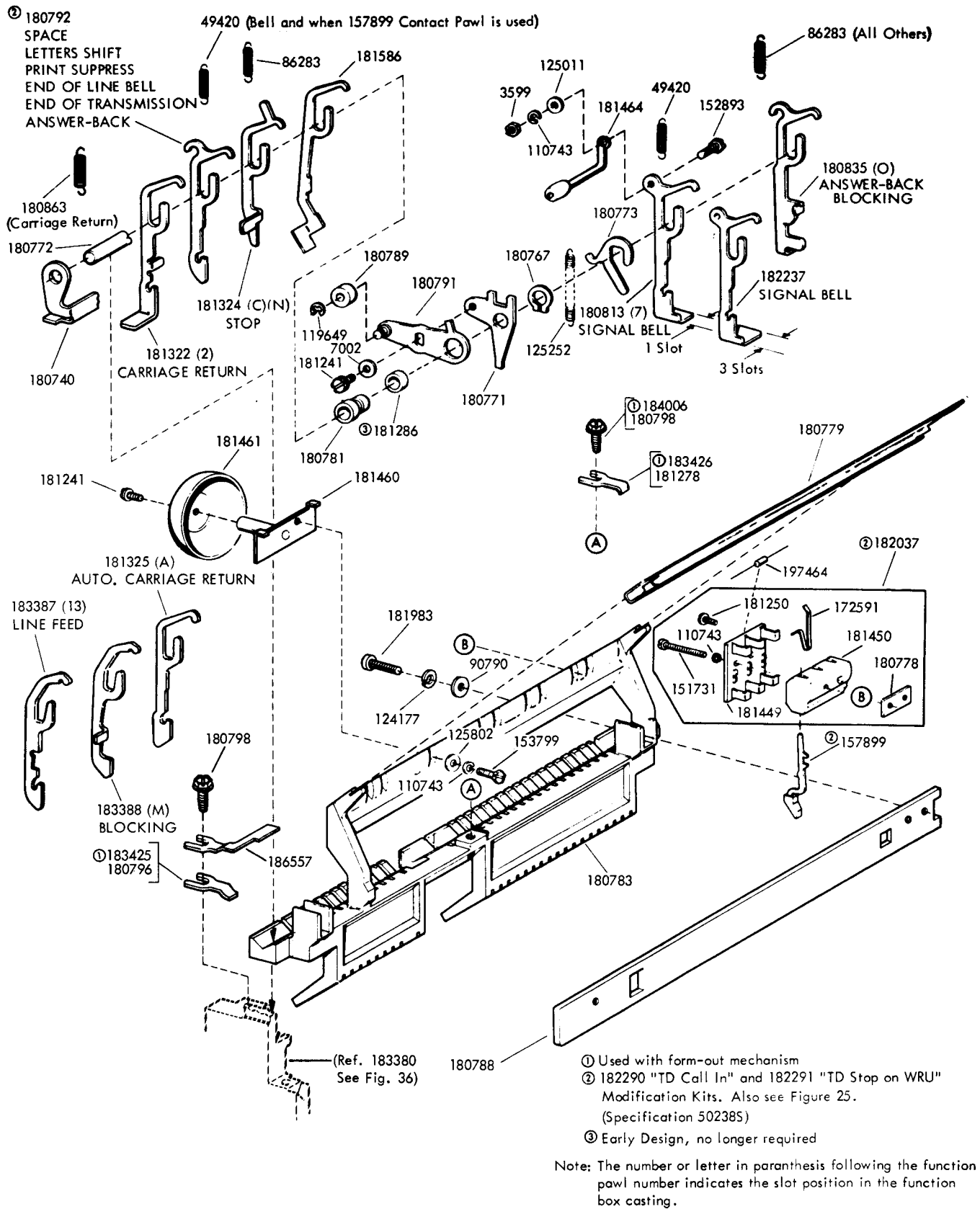


FIGURE 14. FUNCTION BOX MECHANISM

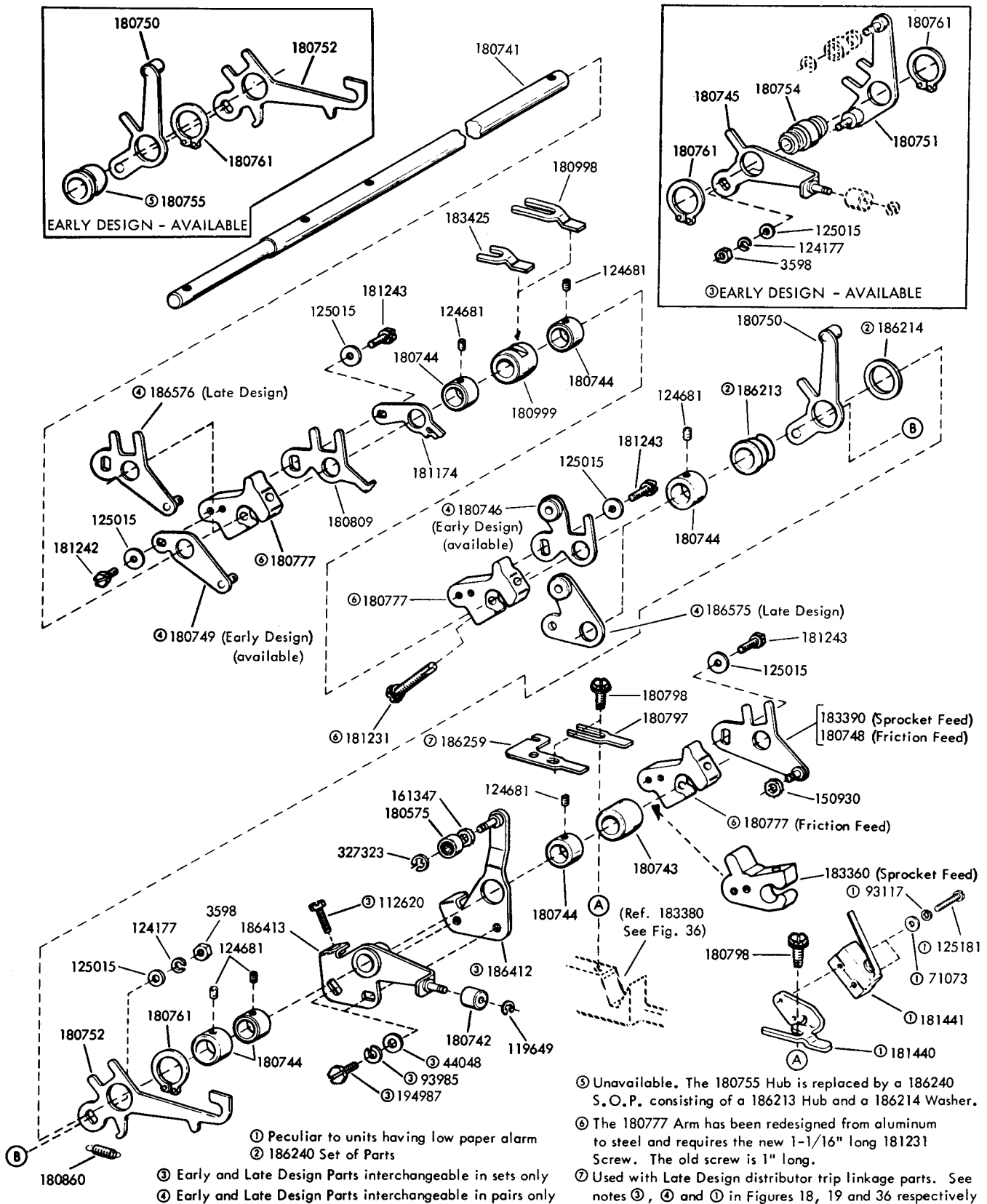


FIGURE 15. FUNCTION SHAFT MECHANISM

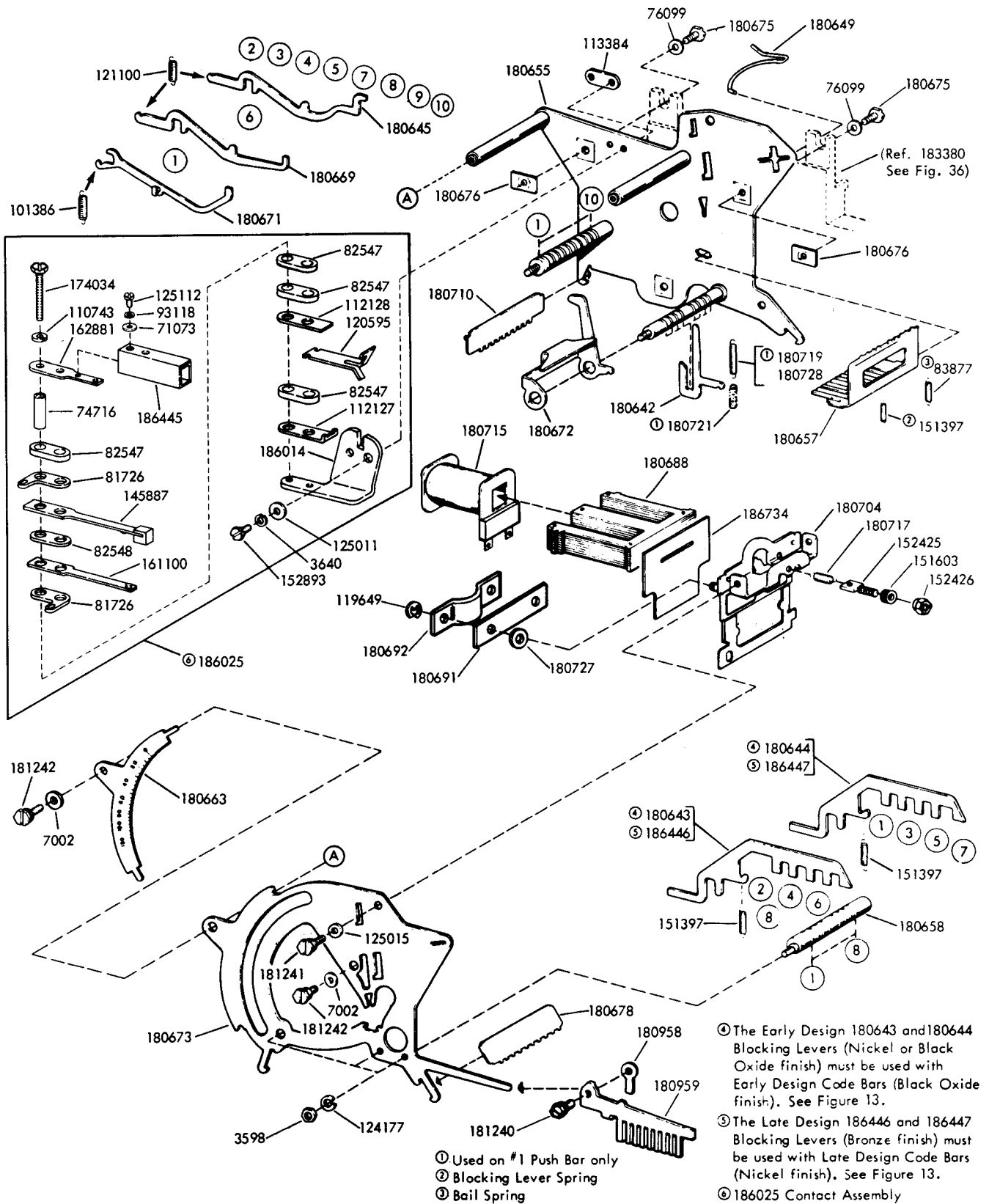


FIGURE 16. SELECTOR FRAME MECHANISM

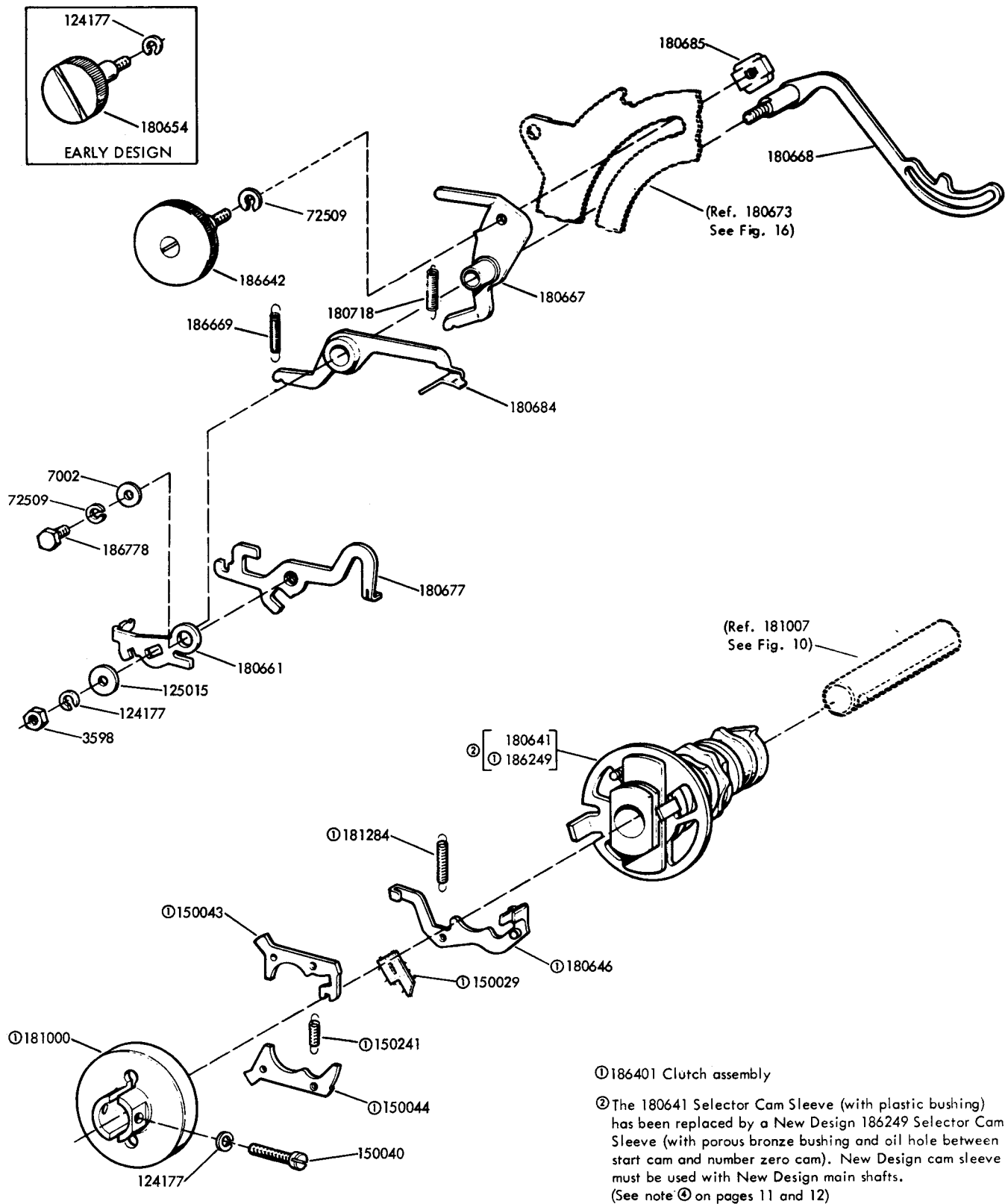


FIGURE 17. CLUTCH AND CAMSLEEVE MECHANISM

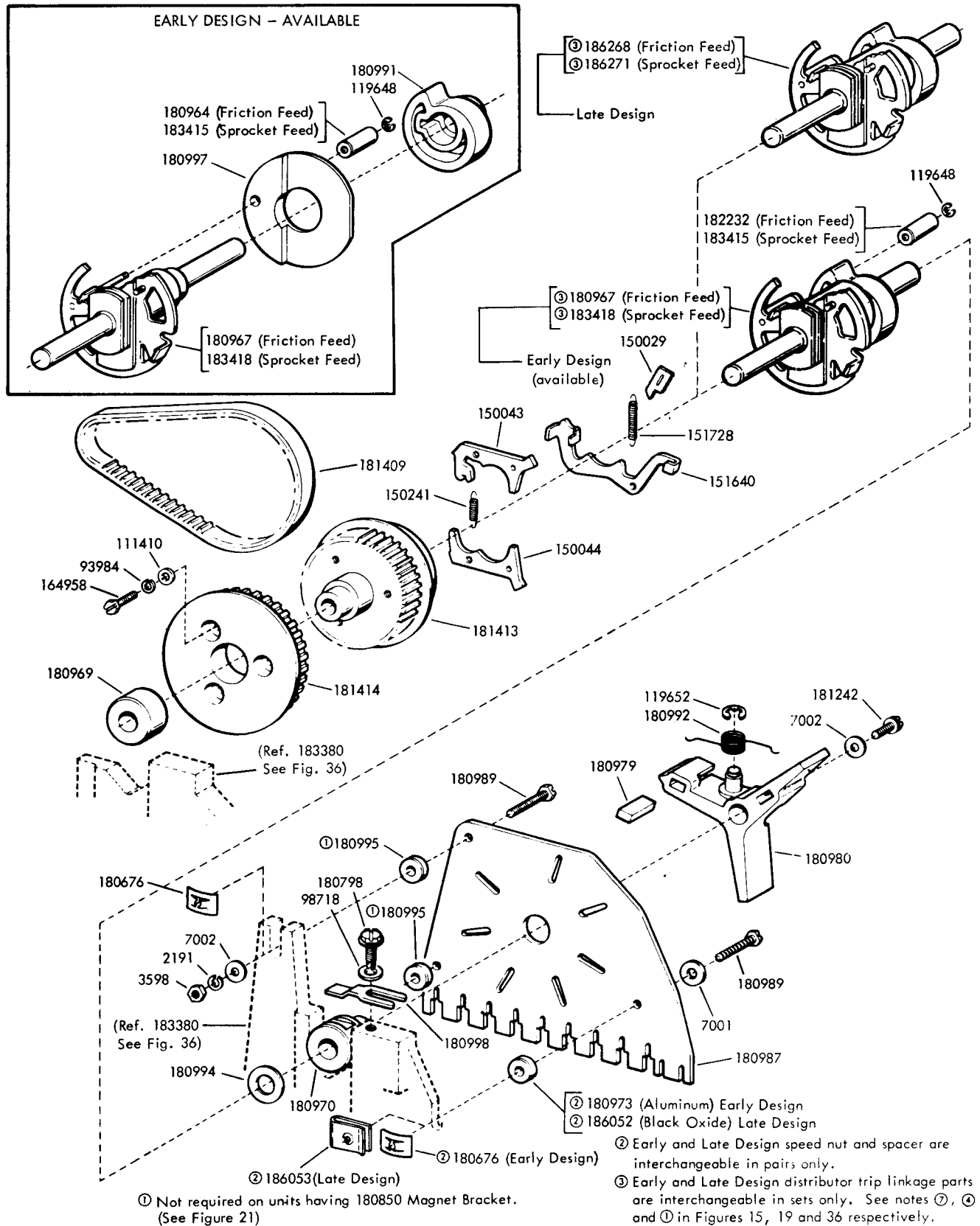
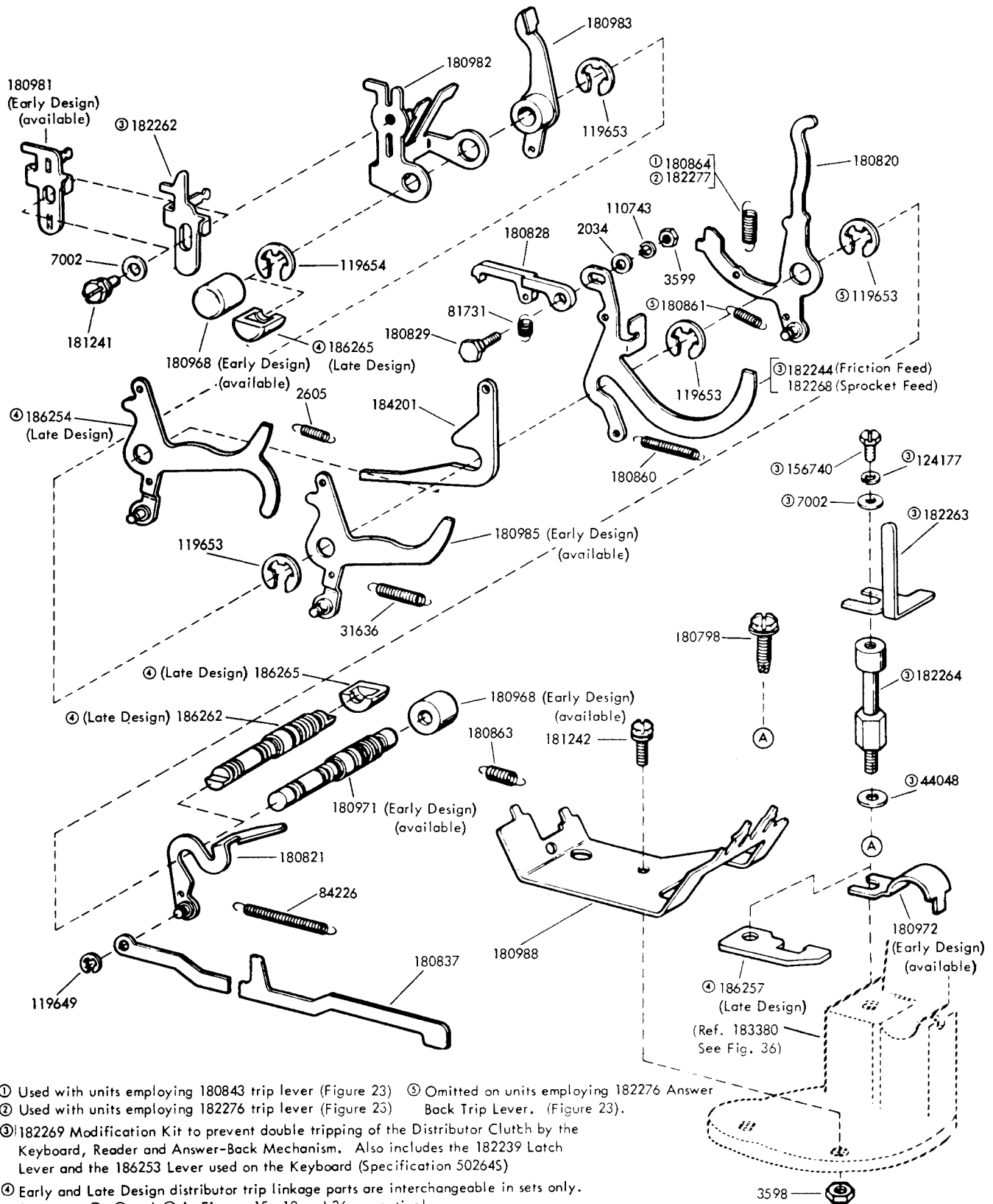


FIGURE 18. DISTRIBUTOR CLUTCH MECHANISM



- ① Used with units employing 180843 trip lever (Figure 23)
- ② Used with units employing 182276 trip lever (Figure 23)
- ③ 182269 Modification Kit to prevent double tripping of the Distributor Clutch by the Keyboard, Reader and Answer-Back Mechanism. Also includes the 182239 Latch Lever and the 186253 Lever used on the Keyboard (Specification 502645)
- ④ Early and Late Design distributor trip linkage parts are interchangeable in sets only. See notes ②, ③ and ① in Figures 15, 18 and 36 respectively.

FIGURE 19. TRIP SHAFT MECHANISM

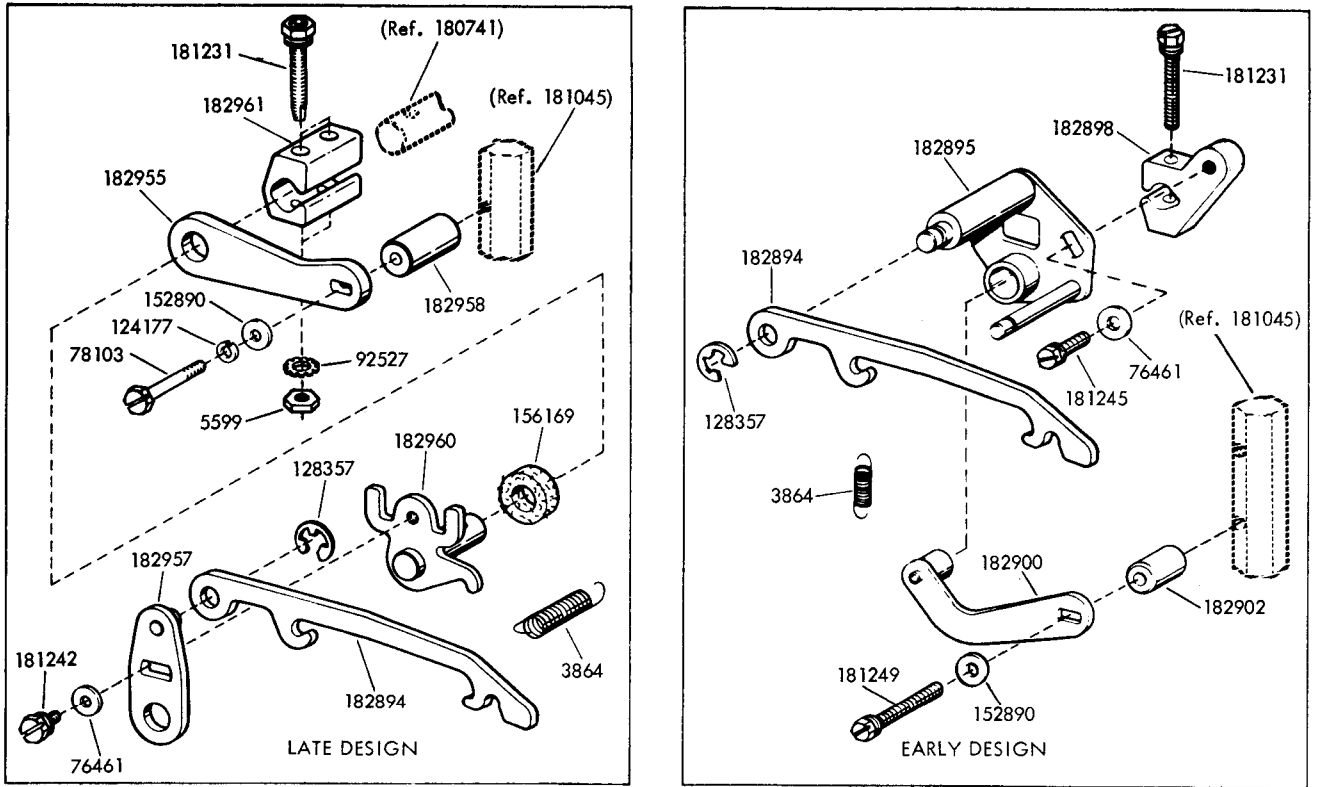


FIGURE 20. 182964 DRIVE ARM ASSEMBLY

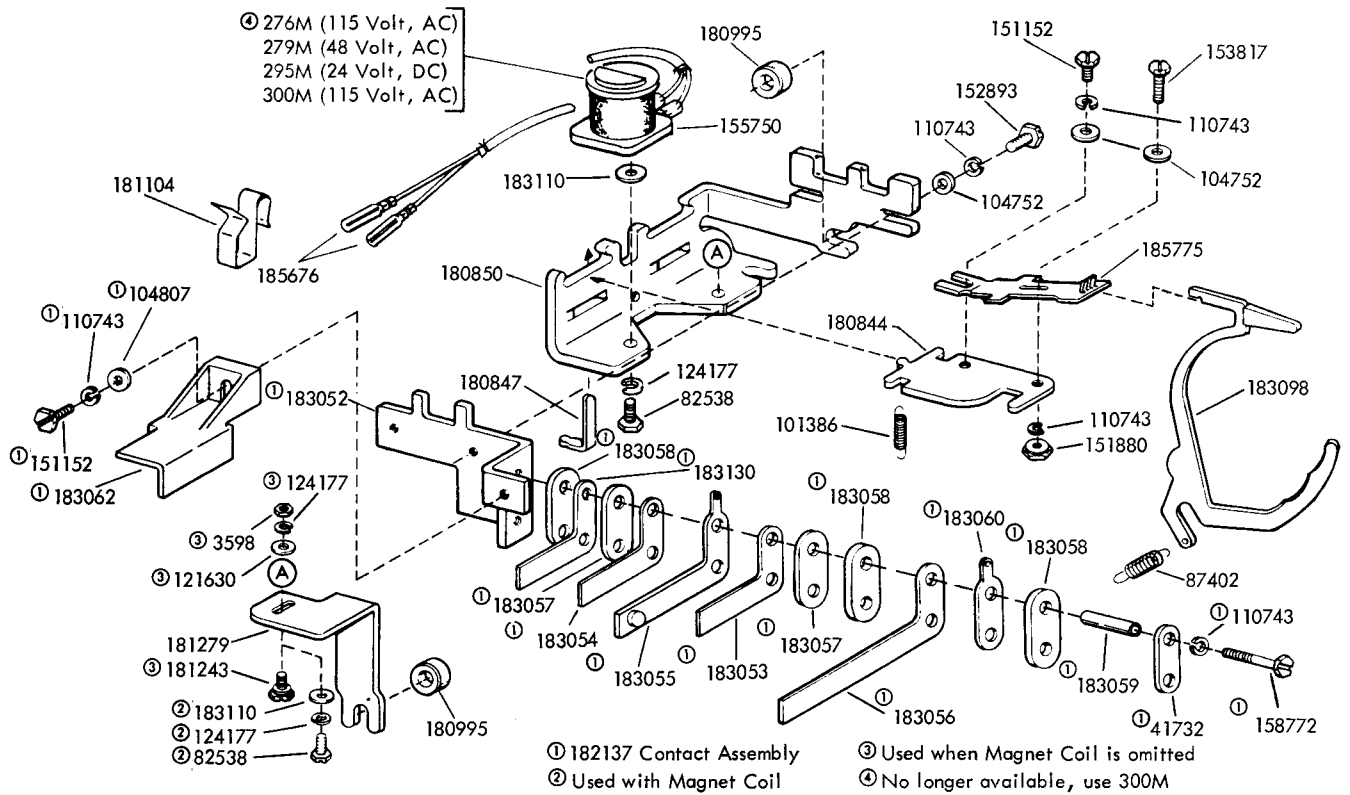


FIGURE 21. CLUTCH TRIP MECHANISM

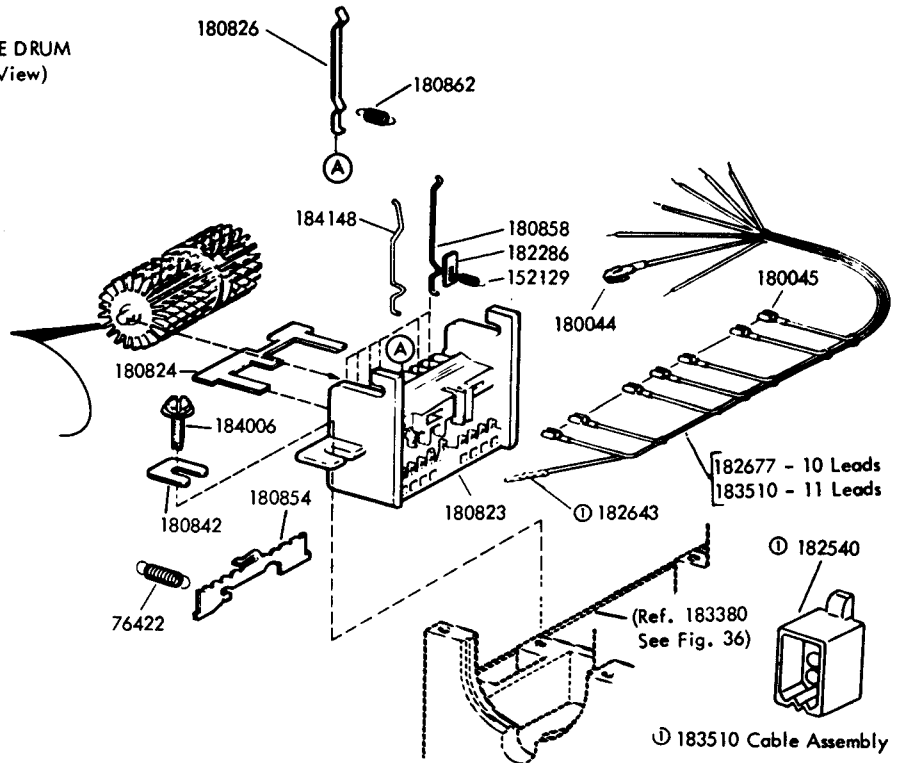
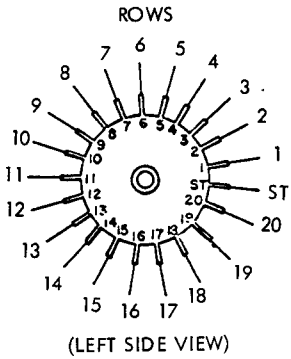
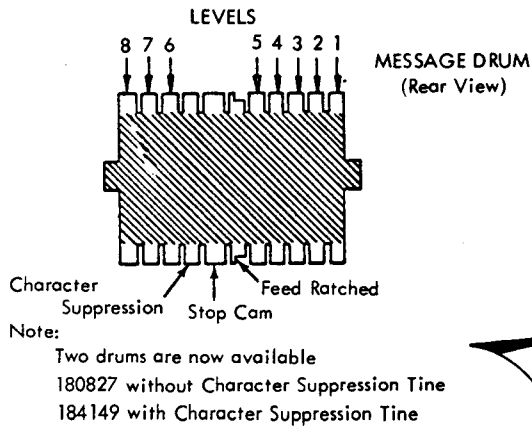


FIGURE 22. ANSWER-BACK DRUM MECHANISM

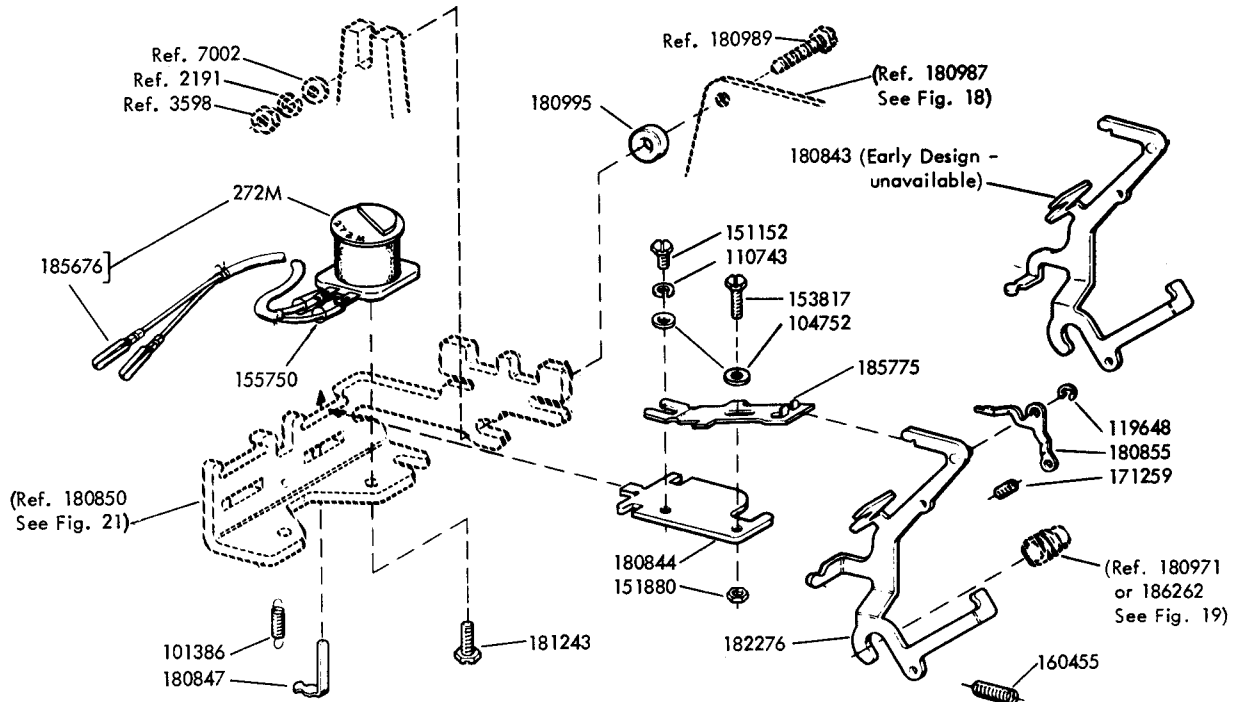
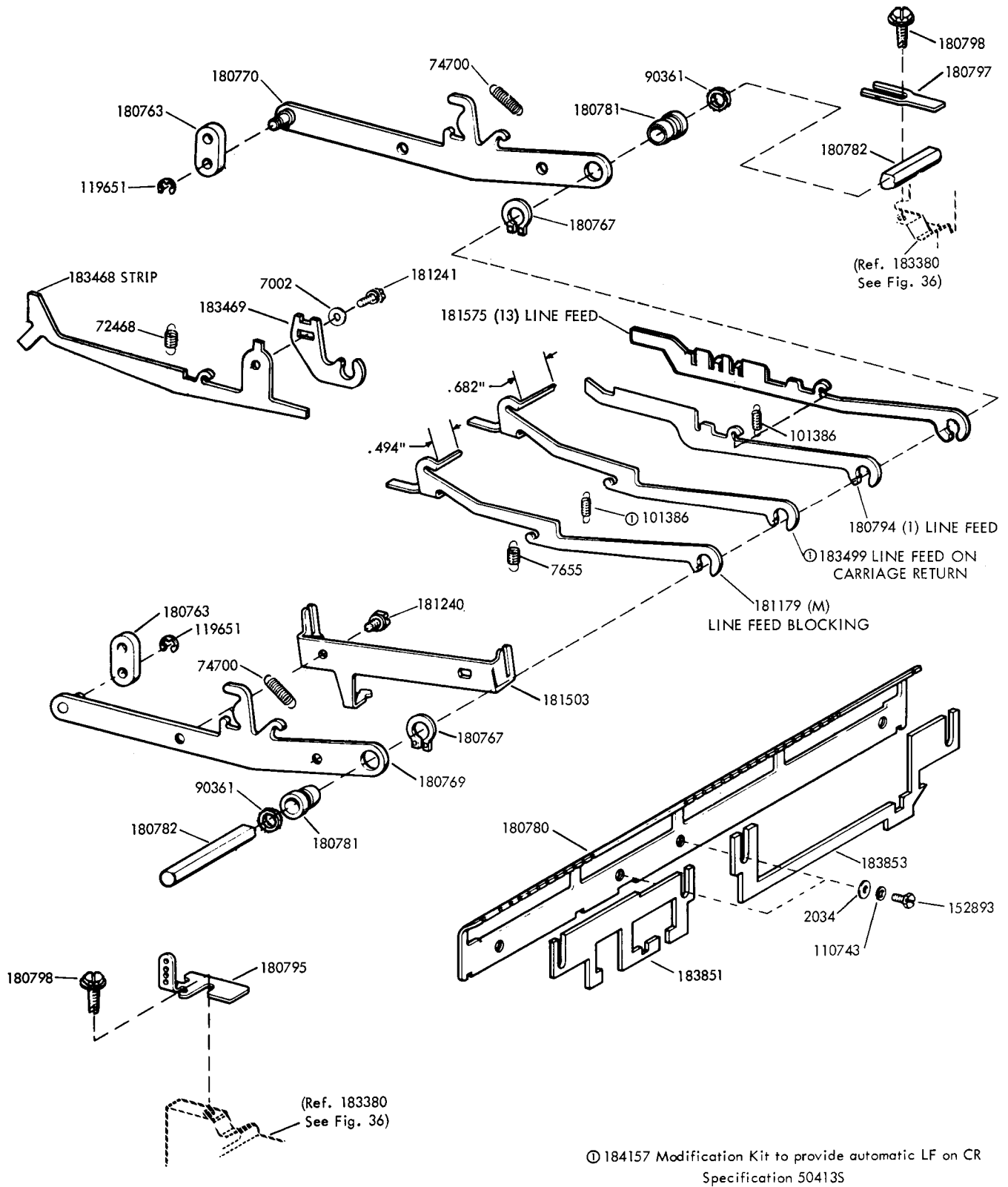
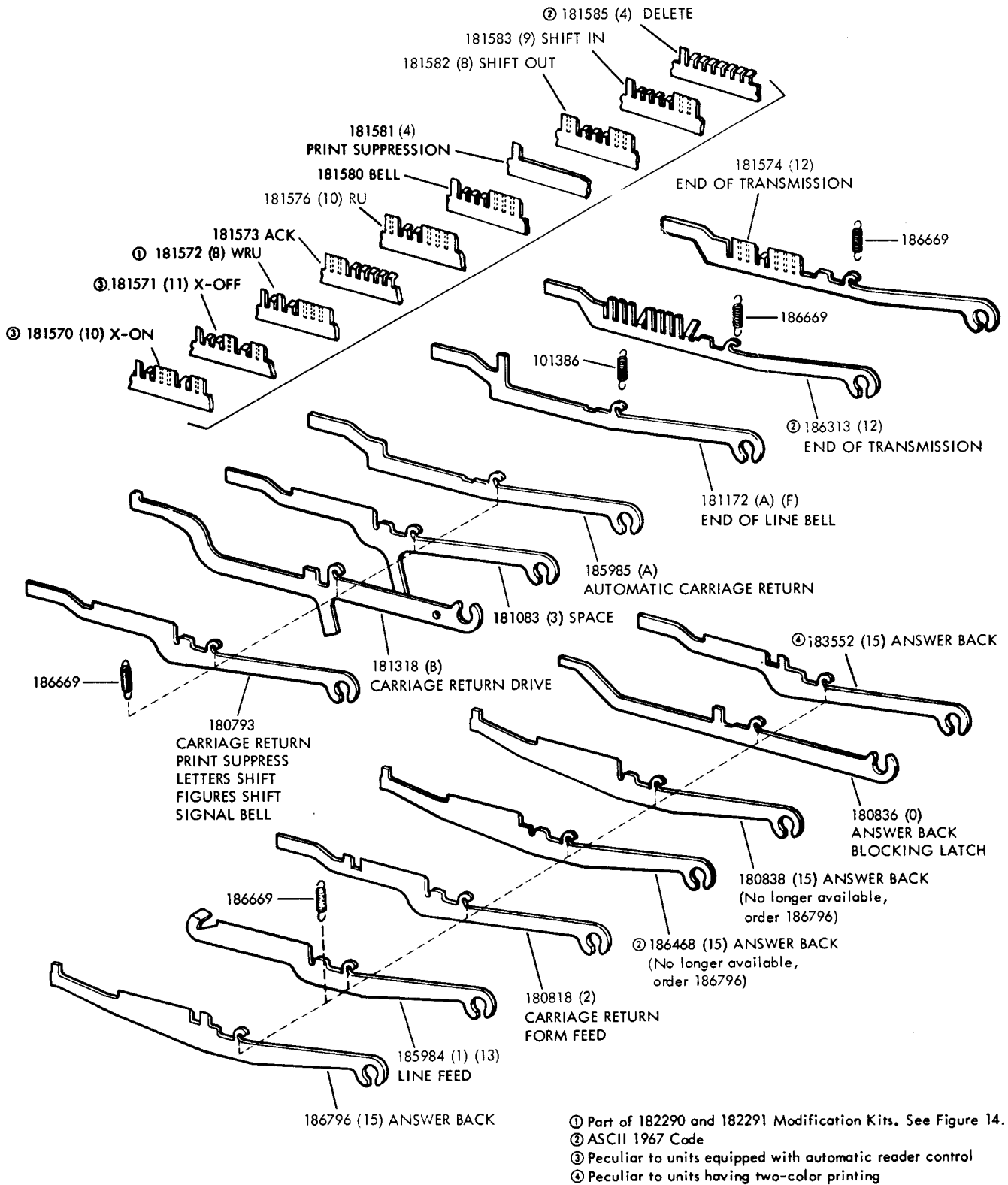


FIGURE 23. ANSWER-BACK TRIP MAGNET MECHANISM



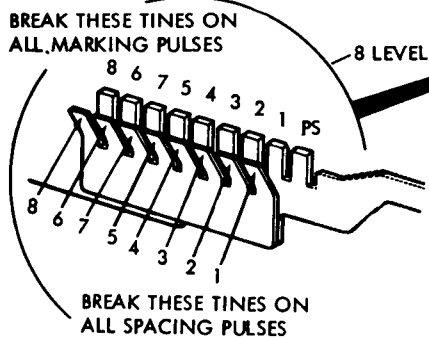
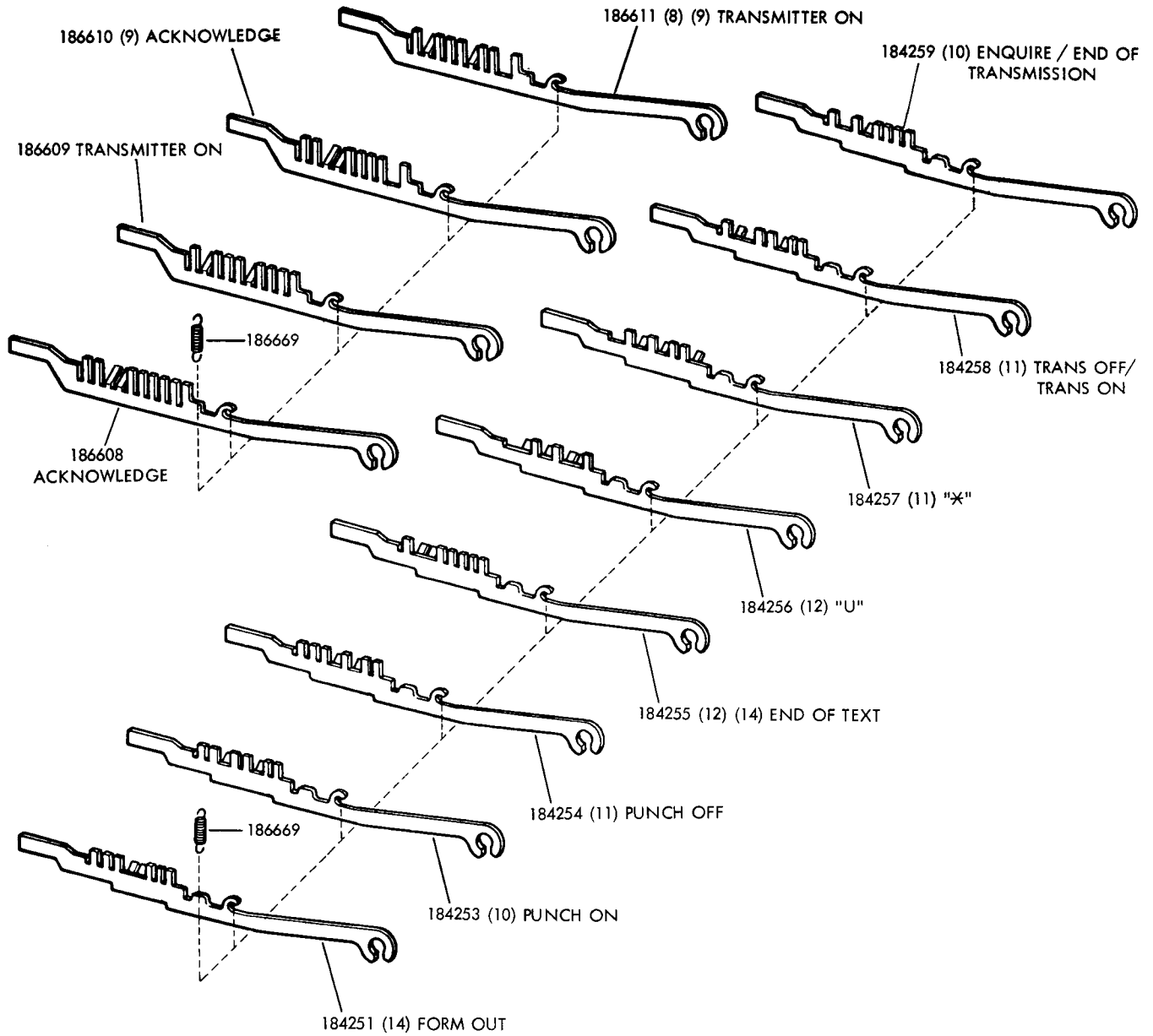
Number or letter in parenthesis () indicates slot Function Levers may occupy.

FIGURE 24. LINE FEED FUNCTION LEVER MECHANISM



NOTE: Number or letter in parenthesis () indicates slot Function Lever may occupy.

FIGURE 25. FUNCTION LEVERS



Coding a 180801 Uncoded Universal Function Lever, To perform a special function or contact closure, is to be done before installation of part. For 8 level usage starting at pivoted end, the tines are numbered 8,6,7,5,4,3,2,1 and PS, tines 6 and 7 are not in numerical order. Choose the code combination the lever is to respond to. Note marking pulses. Break off the straight tines whose number corresponds to the marking pulses. Break off the bent tines whose number corresponds to the spacing pulses.

PS-Refers to Print Suppression and is broken off when printing is desired.

On eight level codes, break both tines on position 8 unless respond to parity level (8th) is required.

Note: Number or letter in parenthesis () indicates slot Function Lever may occupy.

FIGURE 26. FUNCTION LEVERS (CONTINUED)

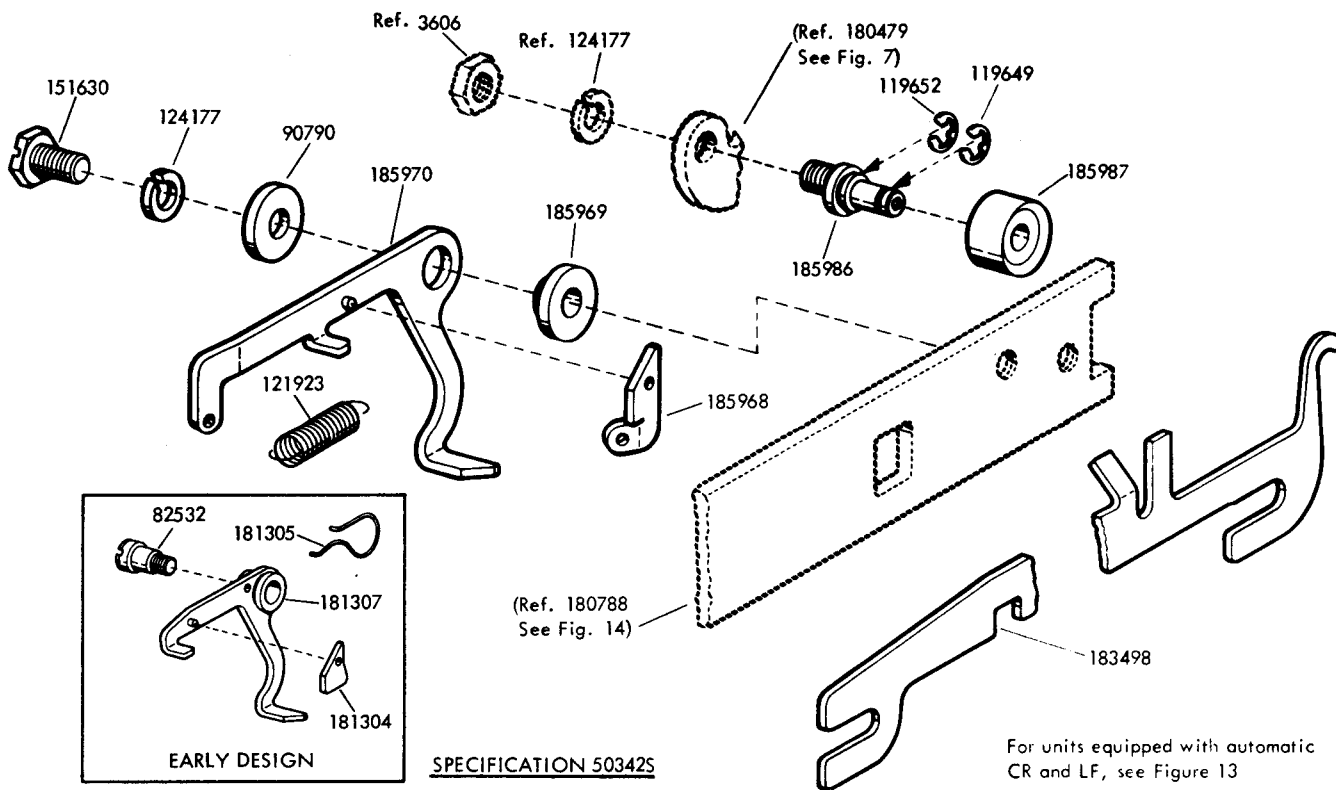


FIGURE 27. 185971 MODIFICATION KIT TO PROVIDE PRINTER WITH AN END-OF-LINE BELL TO RING ON APPROXIMATELY THE 62ND CHARACTER

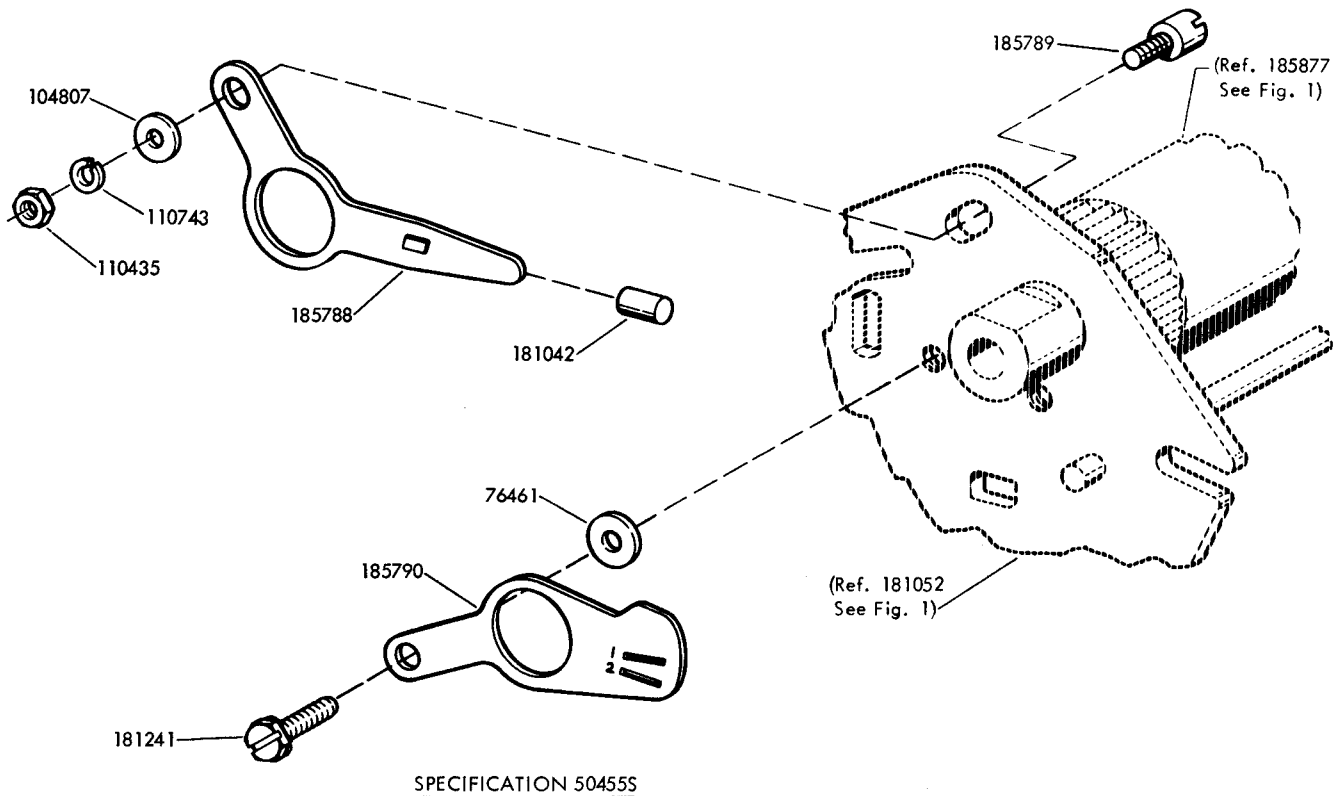
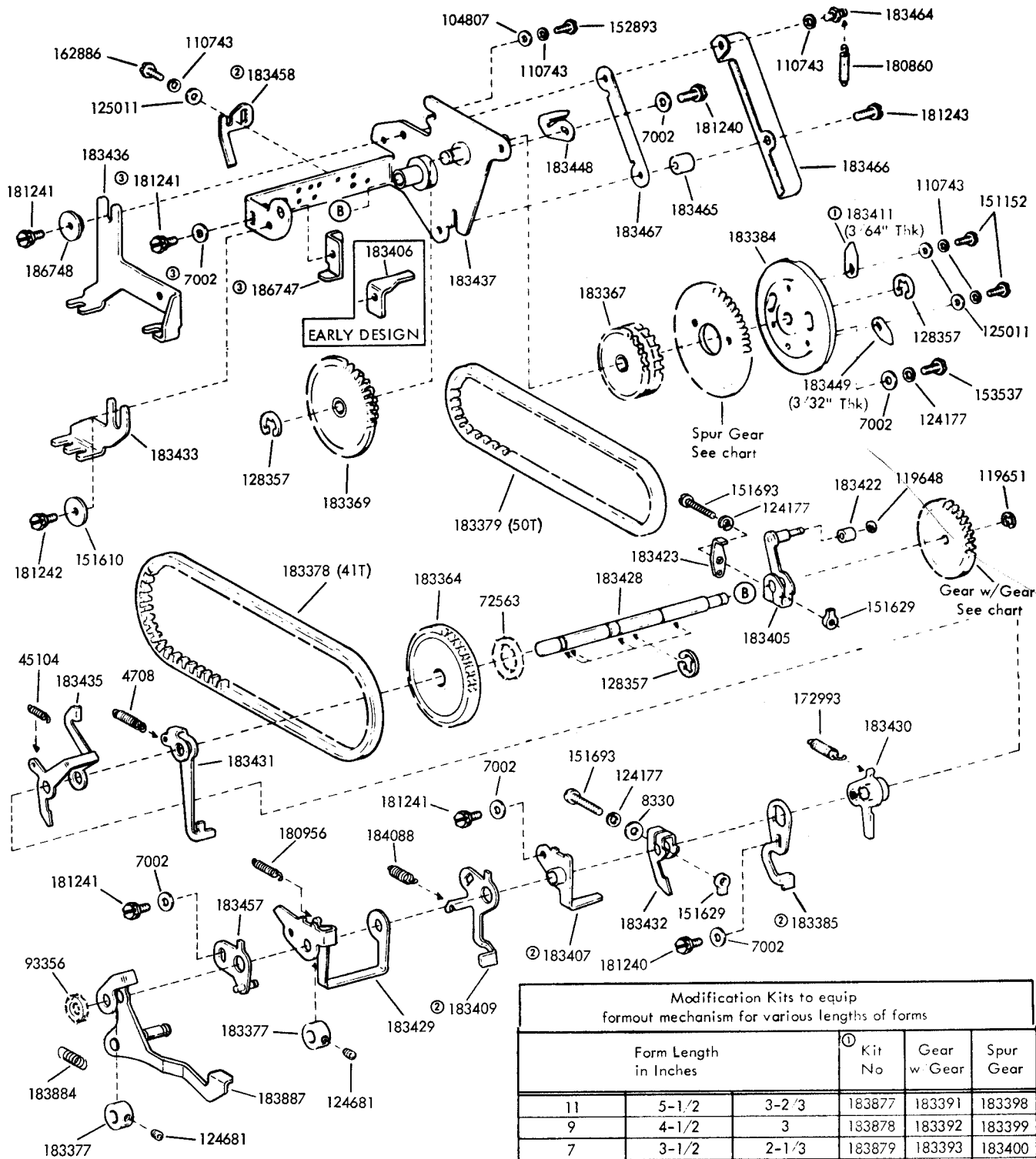


FIGURE 28. 185791 MODIFICATION KIT TO PROVIDE CONTROLLED SINGLE OR DOUBLE LINE FEED FEATURE ON FRICTION FEED PRINTER

| TYPEWHEEL | PART NO. | POSITION | CHARACTER | | | | | | | | | | | | | | | | | | | | | | | | | |
|-----------|----------|----------|-----------|---|---|---|---|---|---|---|---|---|---|---|---|---|---|---|---|---|---|---|---|---|---|---|---|---|
| | | | A | B | C | D | E | F | G | H | I | J | K | L | M | N | O | P | Q | R | S | T | U | V | W | X | Y | Z |
| MA | 180598 | UNSHIFT | | | | | | | | | | | | | | | | | | | | | | | | | | |
| | | SHIFT | | | | | | | | | | | | | | | | | | | | | | | | | | |
| MB | 182280 | UNSHIFT | 1 | 2 | | | | | | | | | | | | | | | | | | | | | | | | |
| | | SHIFT | | | | | | | | | | | | | | | | | | | | | | | | | | |
| MC | 182293 | UNSHIFT | 1 | 2 | 3 | 4 | 5 | 6 | 7 | 8 | 9 | @ | | | | | | | | | | | | | | | | |
| | | SHIFT | | | | | | | | | | | | | | | | | | | | | | | | | | |
| MD | 183588 | UNSHIFT | | | | | | | | | | | | | | | | | | | | | | | | | | |
| | | SHIFT | | | | | | | | | | | | | | | | | | | | | | | | | | |
| ME | 183599 | UNSHIFT | | | | | | | | | | | | | | | | | | | | | | | | | | |
| | | SHIFT | | | | | | | | | | | | | | | | | | | | | | | | | | |
| MF | 183922 | UNSHIFT | | | | | | | | | | | | | | | | | | | | | | | | | | |
| | | SHIFT | | | | | | | | | | | | | | | | | | | | | | | | | | |
| MG | 184685 | UNSHIFT | | | | | | | | | | | | | | | | | | | | | | | | | | |
| | | SHIFT | | | | | | | | | | | | | | | | | | | | | | | | | | |
| MH | 184686 | UNSHIFT | 1 | 2 | 3 | 4 | 5 | 6 | 7 | 8 | 9 | ' | = | - | > | & | + | A | B | C | D | E | F | G | H | I | ; | / |
| | | SHIFT | | | | | | | | | | | | | | | | | | | | | | | | | | |
| MJ | 184688 | UNSHIFT | | | | | | | | | | | | | | | | | | | | | | | | | | |
| | | SHIFT | | | | | | | | | | | | | | | | | | | | | | | | | | |
| MK | 184689 | UNSHIFT | | | | | | | | | | | | | | | | | | | | | | | | | | |
| | | SHIFT | | | | | | | | | | | | | | | | | | | | | | | | | | |
| ML | 184690 | UNSHIFT | | | | | | | | | | | | | | | | | | | | | | | | | | |
| | | SHIFT | | | | | | | | | | | | | | | | | | | | | | | | | | |
| MN | 184691 | UNSHIFT | | | | | | | | | | | | | | | | | | | | | | | | | | |
| | | SHIFT | | | | | | | | | | | | | | | | | | | | | | | | | | |
| MP | 184693 | UNSHIFT | | | | | | | | | | | | | | | | | | | | | | | | | | |
| | | SHIFT | | | | | | | | | | | | | | | | | | | | | | | | | | |
| MR | 184695 | UNSHIFT | | | | | | | | | | | | | | | | | | | | | | | | | | |
| | | SHIFT | | | | | | | | | | | | | | | | | | | | | | | | | | |
| MS | 184950 | UNSHIFT | | | | | | | | | | | | | | | | | | | | | | | | | | |
| | | SHIFT | | | | | | | | | | | | | | | | | | | | | | | | | | |
| MT | 184694 | UNSHIFT | 1 | 2 | 3 | 4 | 5 | 6 | 7 | 8 | 9 | @ | ' | = | - | > | & | + | A | B | C | D | E | F | G | H | I | ; |
| | | SHIFT | | | | | | | | | | | | | | | | | | | | | | | | | | |
| MU | 184692 | UNSHIFT | 1 | 2 | 3 | 4 | 5 | 6 | 7 | 8 | 9 | @ | ' | = | - | > | & | + | A | B | C | D | E | F | G | H | I | ; |
| | | SHIFT | | | | | | | | | | | | | | | | | | | | | | | | | | |
| MV | 184696 | UNSHIFT | 1 | 2 | 3 | 4 | 5 | 6 | 7 | 8 | 9 | ' | = | - | > | & | + | A | B | C | D | E | F | G | H | I | ; | / |
| | | SHIFT | | | | | | | | | | | | | | | | | | | | | | | | | | |
| MW | 184697 | UNSHIFT | 1 | 2 | 3 | 4 | 5 | 6 | 7 | 8 | 9 | ' | = | - | > | & | + | A | B | C | D | E | F | G | H | I | ; | / |
| | | SHIFT | | | | | | | | | | | | | | | | | | | | | | | | | | |
| MY | 184698 | UNSHIFT | 1 | 2 | 3 | 4 | 5 | 6 | 7 | 8 | 9 | ' | = | - | > | & | + | A | B | C | D | E | F | G | H | I | ; | / |
| | | SHIFT | | | | | | | | | | | | | | | | | | | | | | | | | | |
| MZ | 184951 | UNSHIFT | J | K | M | S | 6 | P | Q | 9 | @ | ' | = | - | > | & | + | A | B | T | D | V | W | G | H | Z | < | |
| | | SHIFT | | | | | | | | | | | | | | | | | | | | | | | | | | |
| NA | 184952 | UNSHIFT | | | | | | | | | | | | | | | | | | | | | | | | | | |
| | | SHIFT | | | | | | | | | | | | | | | | | | | | | | | | | | |
| NB | 184953 | UNSHIFT | | | | | | | | | | | | | | | | | | | | | | | | | | |
| | | SHIFT | | | | | | | | | | | | | | | | | | | | | | | | | | |

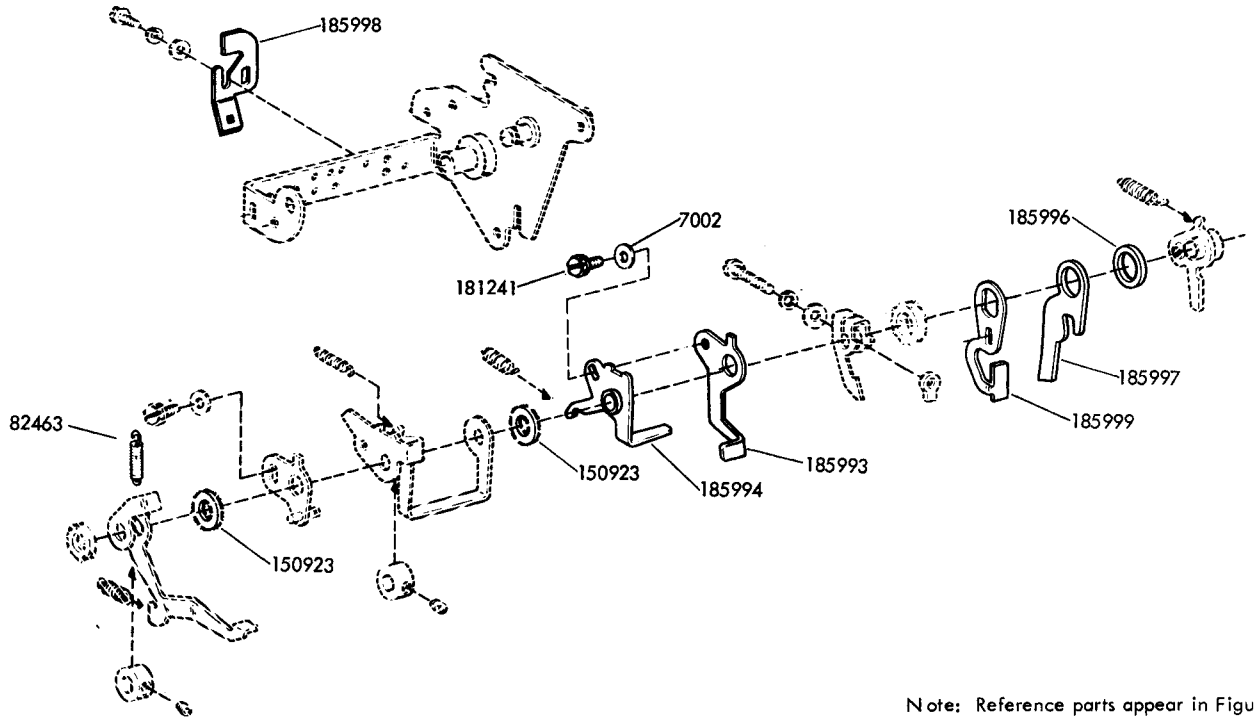
FIGURE 29. TYPEWHEEL CHART



- ① The required number of 183411 Cam Plates and mounting hardware are furnished with each kit (Specification 504105)
- ② Early design parts. See Figure 33 for later design.
- ③ These parts are factory adjusted and fixturized. Should they be loosened, remove and discard them. Then readjust.

| Modification Kits to equip formout mechanism for various lengths of forms | | | | | |
|---|-------|----------|-------------|-----------|--------|
| Form Length in Inches | | ① Kit No | Gear w Gear | Spur Gear | |
| 11 | 5-1/2 | 3-2/3 | 183877 | 183391 | 183398 |
| 9 | 4-1/2 | 3 | 183878 | 183392 | 183399 |
| 7 | 3-1/2 | 2-1/3 | 183879 | 183393 | 183400 |
| 8 | 4 | 2-2/3 | 183880 | 183394 | 183401 |
| 8 1/2 | — | 2-5/6 | 183881 | 183395 | 183402 |
| 10 | 5 | 3-1/3 | 183882 | 183396 | 183403 |
| 6 | — | — | 183883 | 183397 | 183404 |

FIGURE 32. FORMOUT MECHANISM - SPROCKET FEED



Note: Reference parts appear in Figure 32

FIGURE 33. LATER DESIGN FORMOUT MECHANISM - SPROCKET FEED

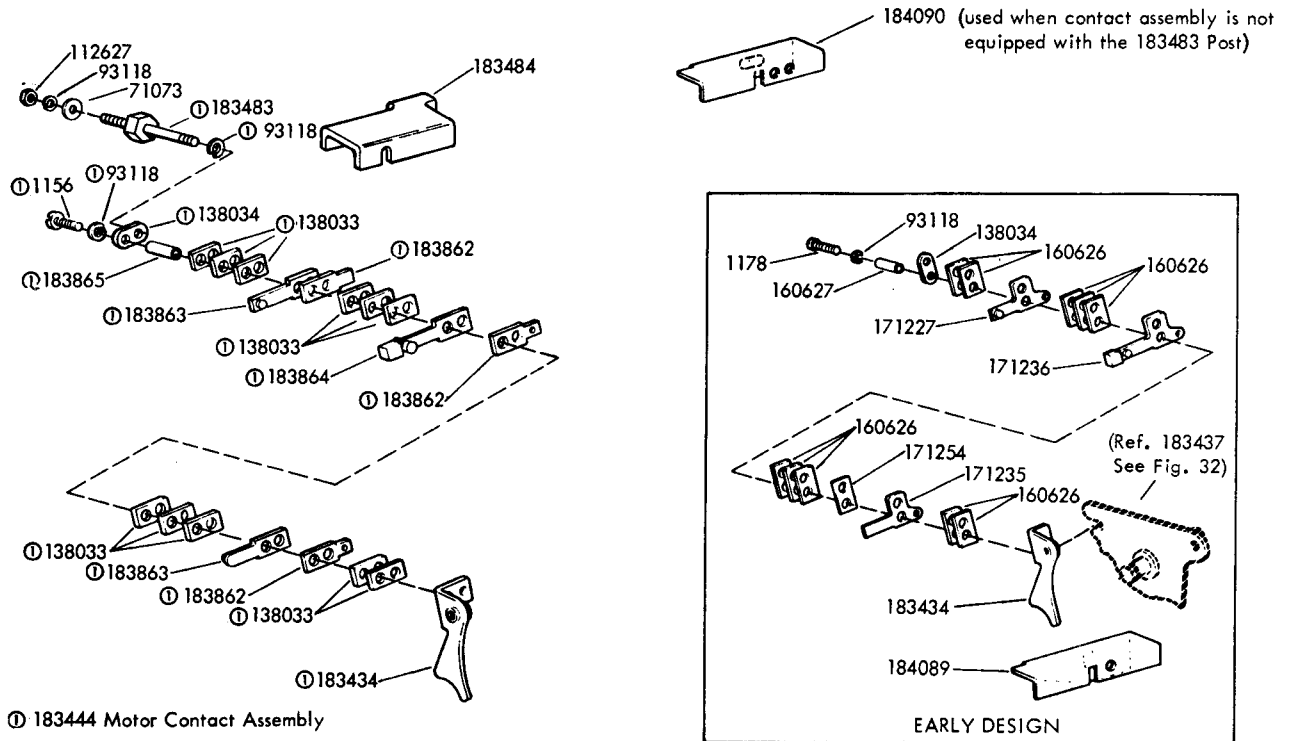


FIGURE 34. MOTOR CONTACT - SPROCKET FEED

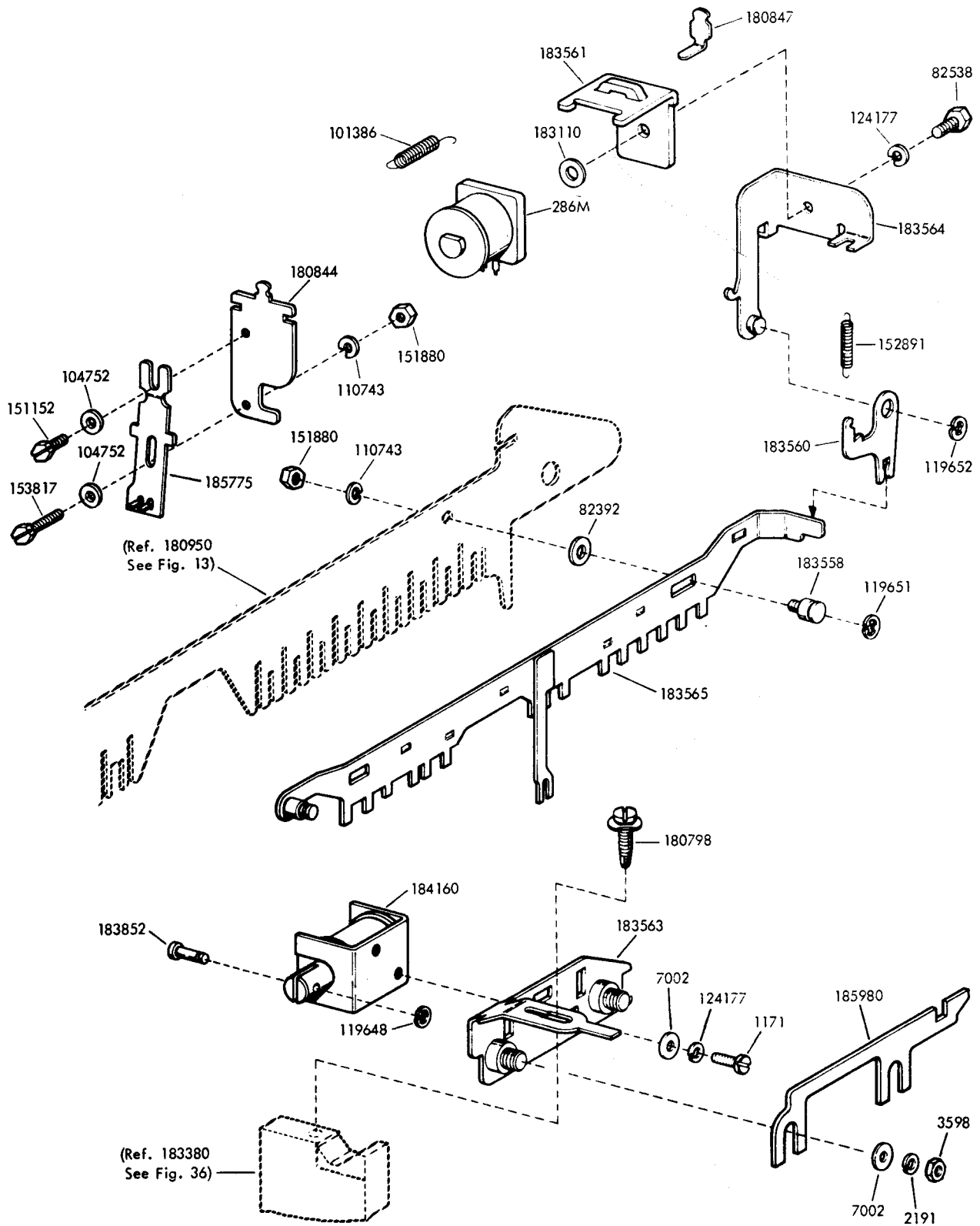


FIGURE 35. SOLENOID PRINT-NONPRINT RESET MECHANISM

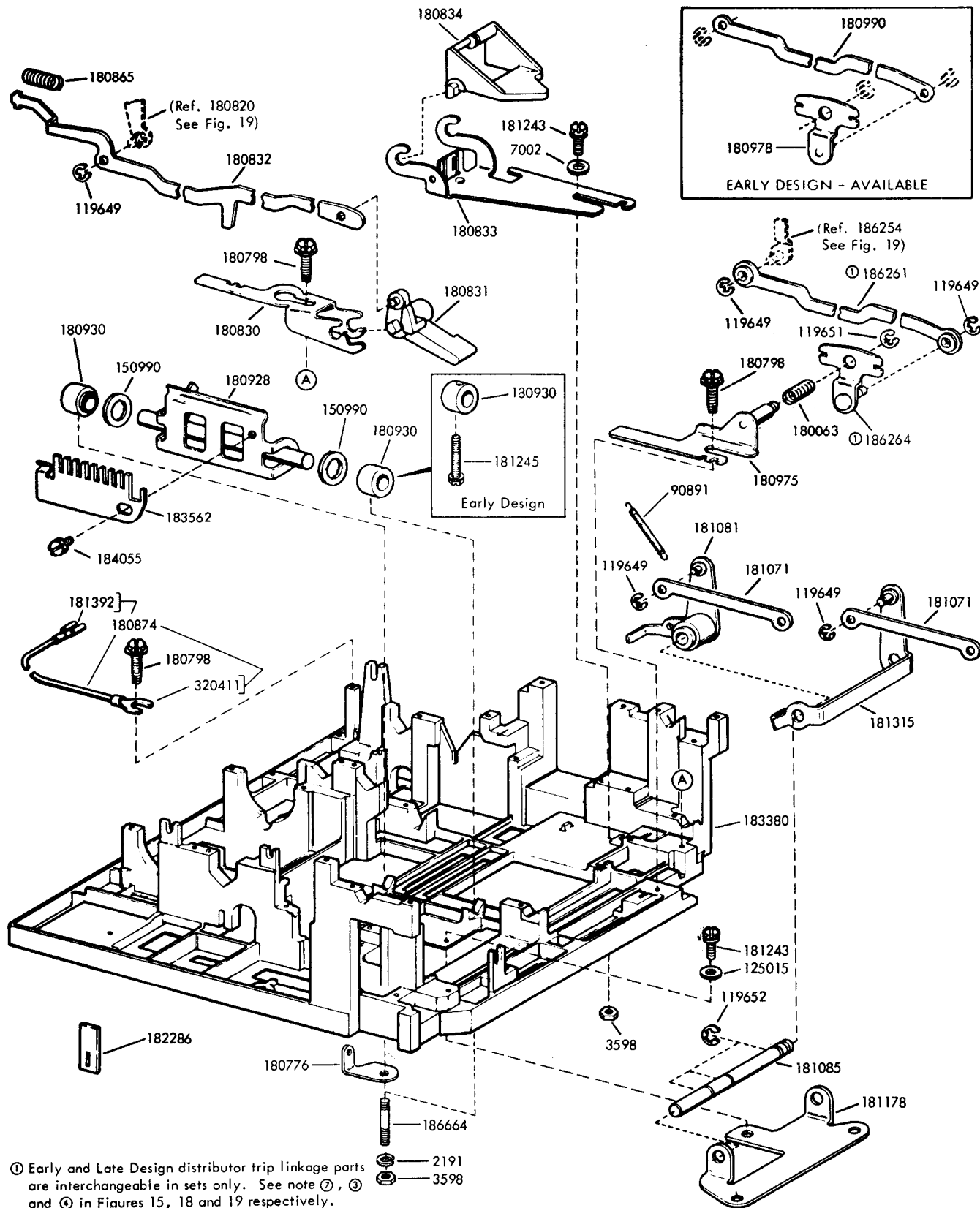
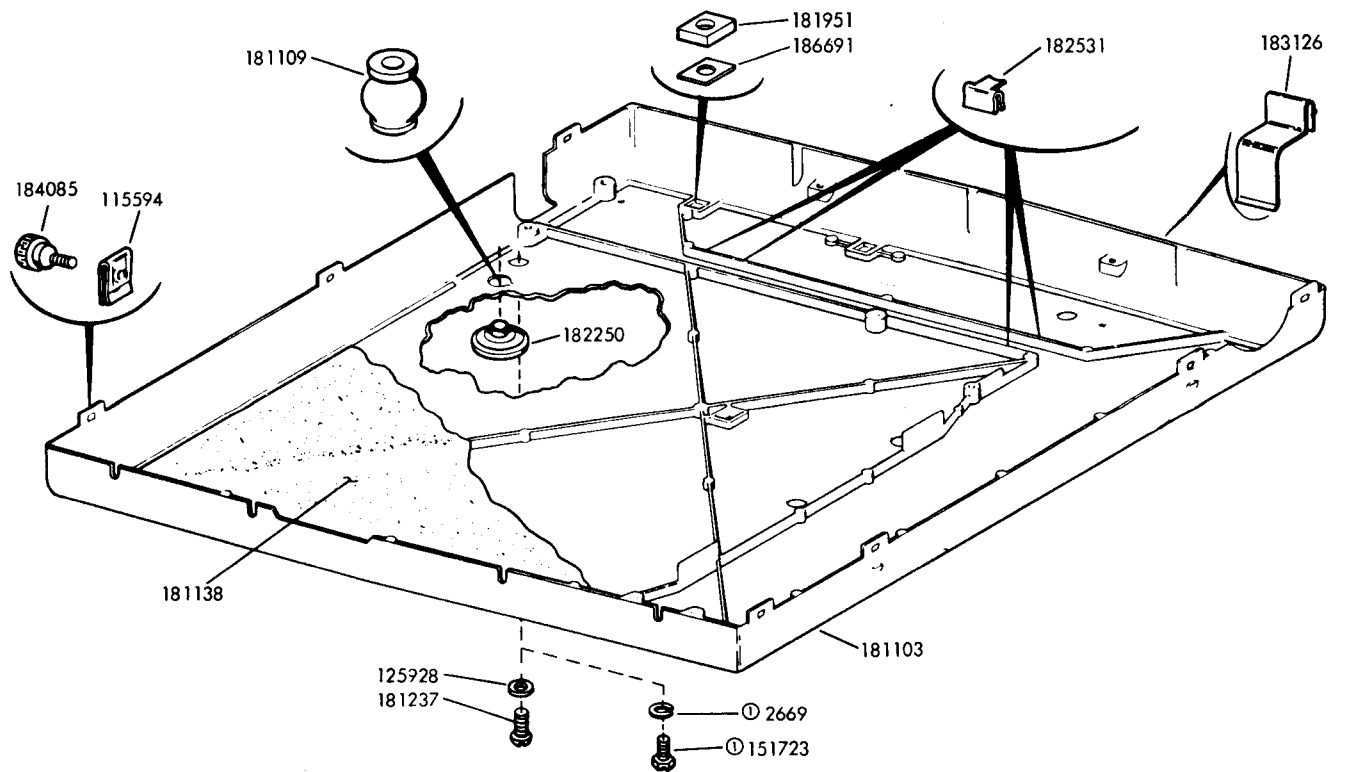


FIGURE 36. BASE



① Used on early base having two pem nuts pressed in place

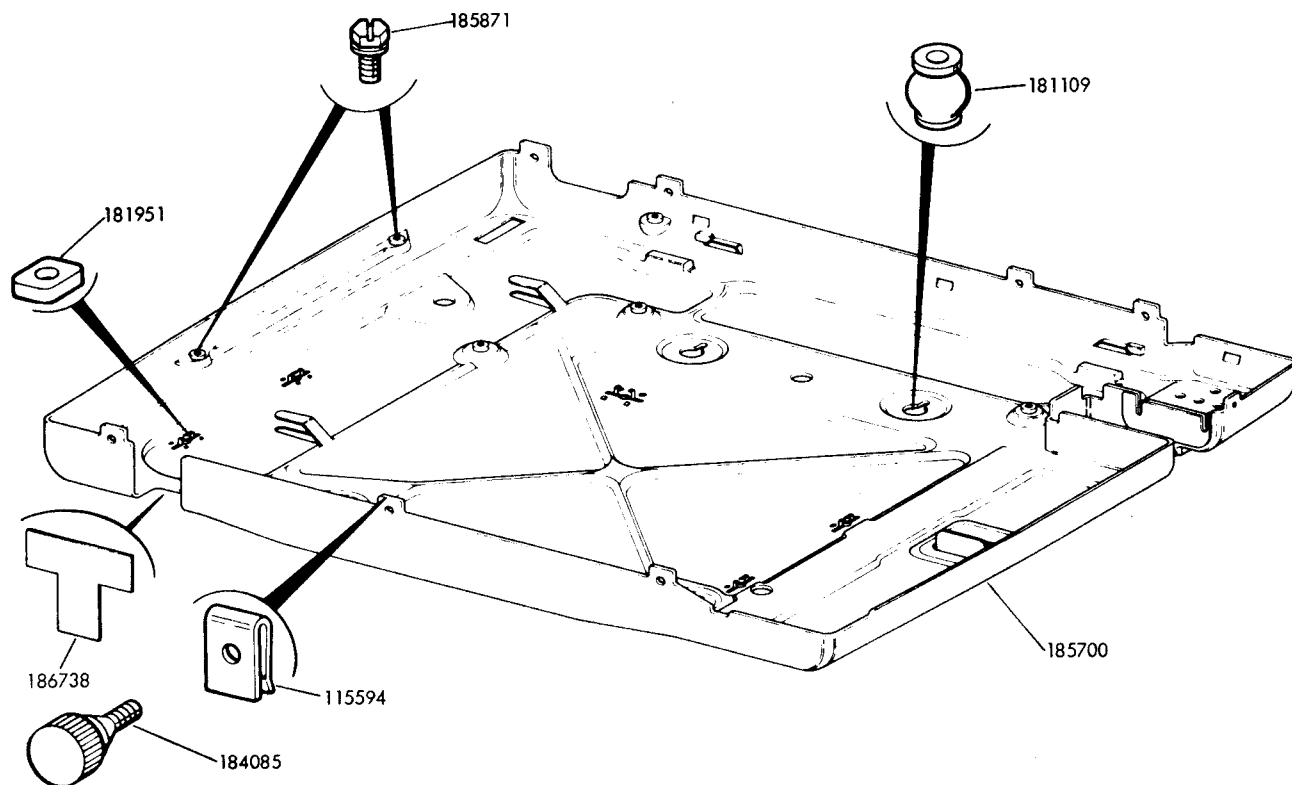
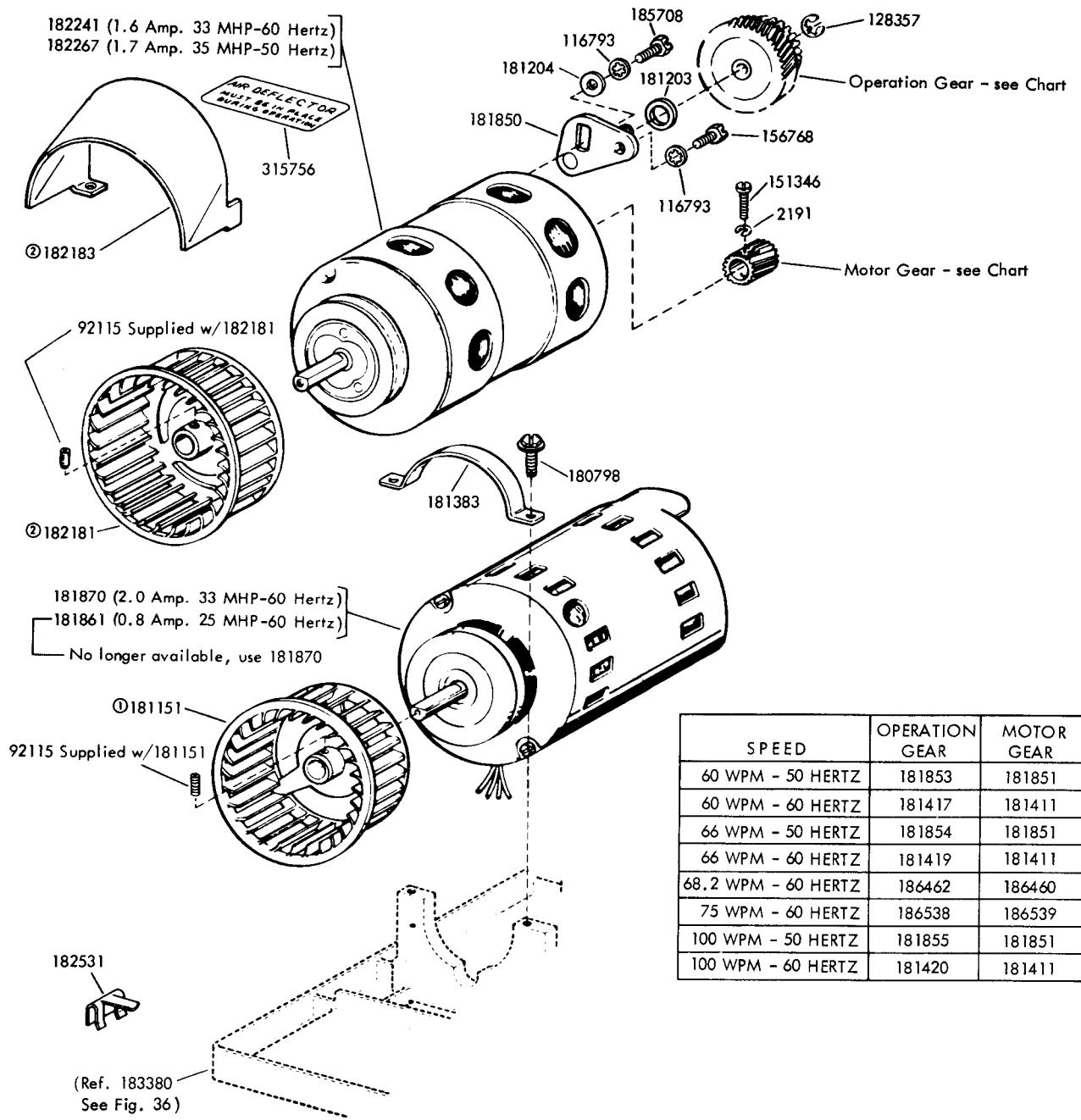


FIGURE 37. SUB BASES



| SPEED | OPERATION GEAR | MOTOR GEAR |
|---------------------|----------------|------------|
| 60 WPM - 50 HERTZ | 181853 | 181851 |
| 60 WPM - 60 HERTZ | 181417 | 181411 |
| 66 WPM - 50 HERTZ | 181854 | 181851 |
| 66 WPM - 60 HERTZ | 181419 | 181411 |
| 68.2 WPM - 60 HERTZ | 186462 | 186460 |
| 75 WPM - 60 HERTZ | 186538 | 186539 |
| 100 WPM - 50 HERTZ | 181855 | 181851 |
| 100 WPM - 60 HERTZ | 181420 | 181411 |

- ① The 181151 Fan (2-1/2" Dia.) is used with the 181870 and 182241 Motors.
- ② The 182181 Fan (3" Dia.), and the 182183 Air Deflector are used with the 182267 Motor.

FIGURE 38. MOTORS

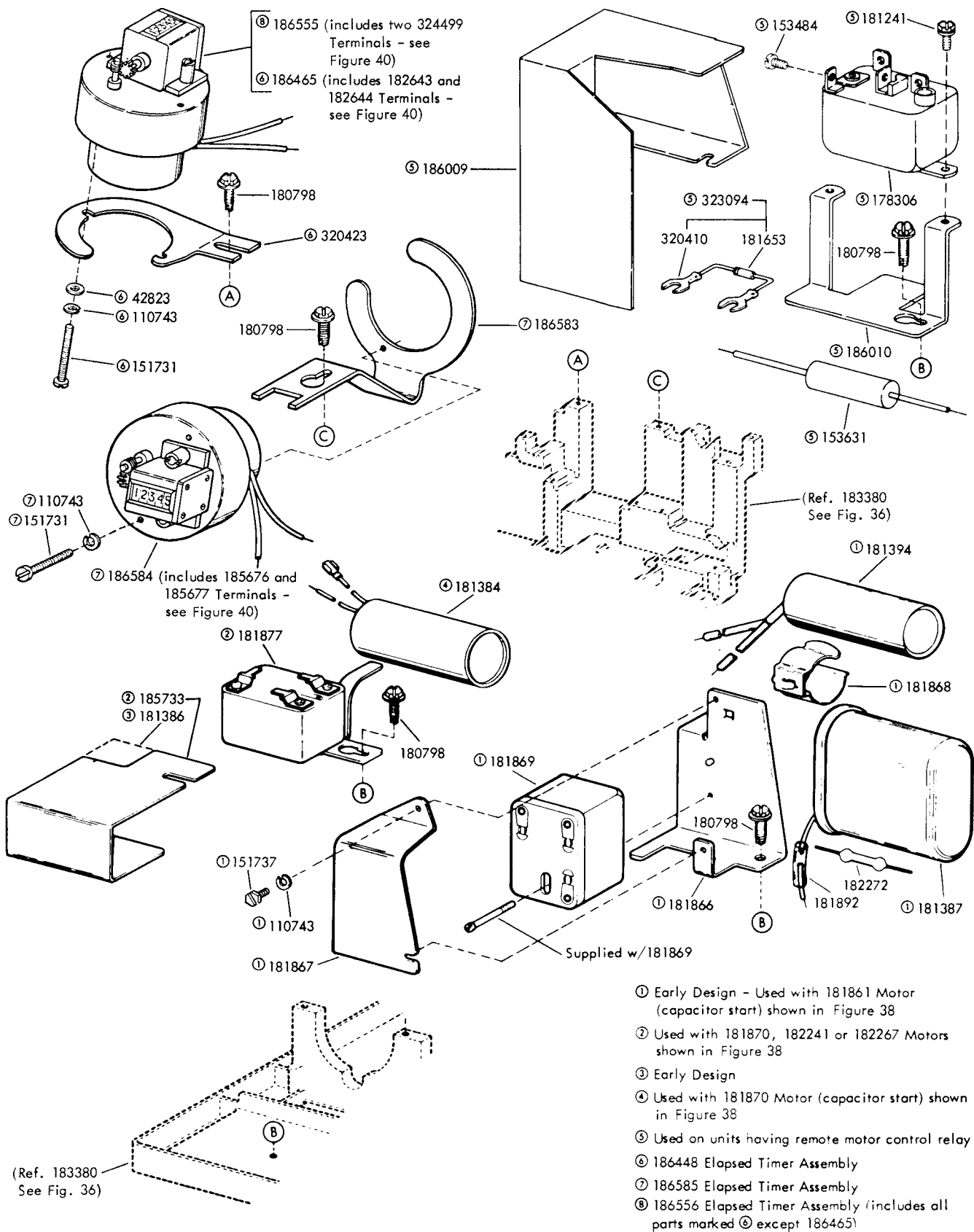


FIGURE 39. ELECTRICAL COMPONENTS

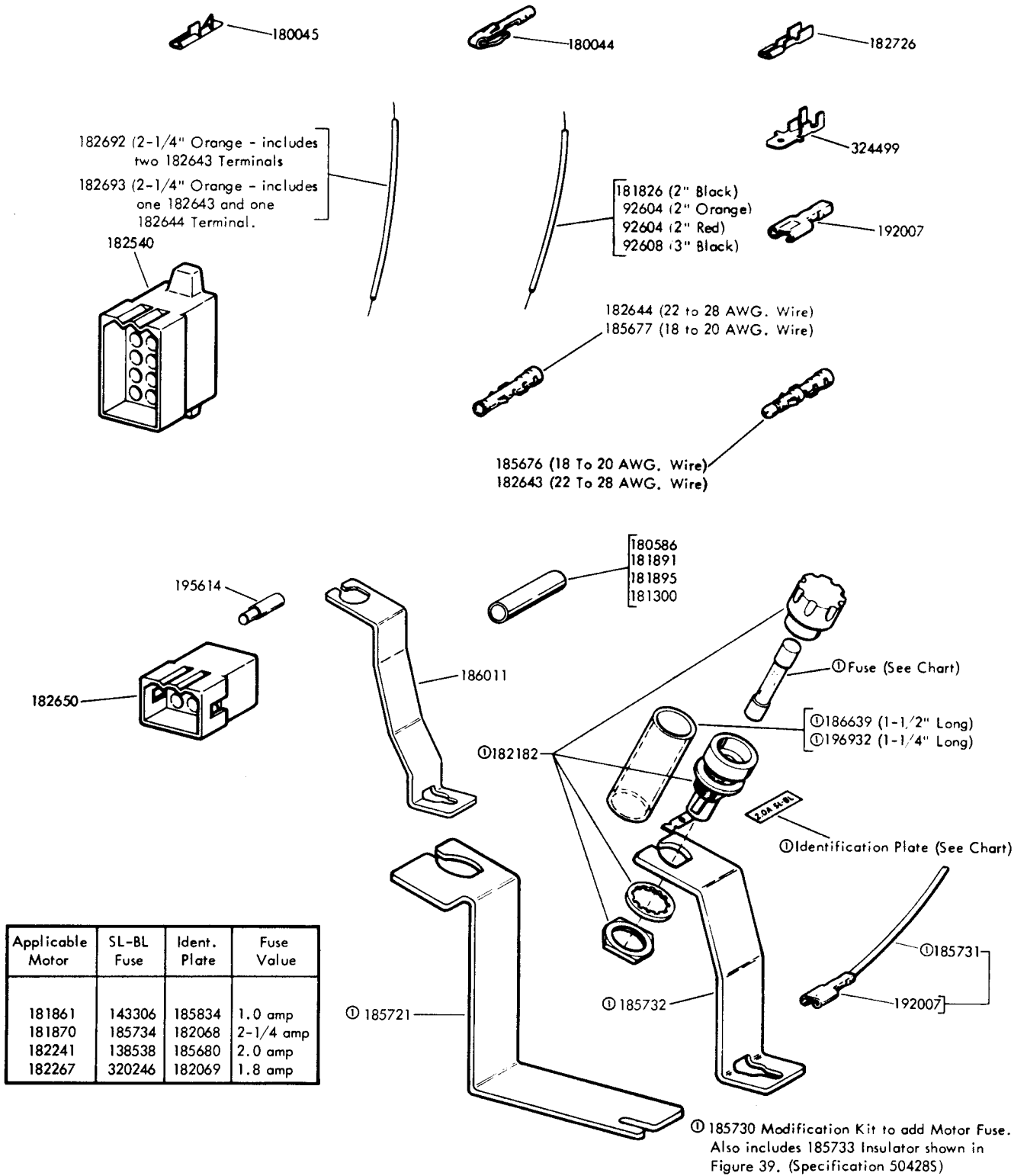


FIGURE 40. CABLE COMPONENTS

NUMERICAL INDEX

| Part Number | Description and Page Number | Part Number | Description and Page Number | Part Number | Description and Page Number |
|-------------|--|-------------|---------------------------------|-------------|---|
| 272M | Coil, Magnet 22 | 72468 | Spring 23 | 107116 | Lockwasher 6 |
| 276M | Coil, Magnet 21 | 72509 | Lockwasher 18 | 110435 | Nut, 4-40 Hex 26 |
| 279M | Coil, Magnet 21 | 72563 | Washer, Felt 30 | 110743 | Lockwasher 4,6,7,9,10,14, 15,17,20,21,22,23,26,30, 32,36 |
| 286M | Coil, Magnet 32 | 74547 | Collar 13 | 111410 | Washer, Flat 9,19 |
| 295M | Coil, Magnet 21 | 74700 | Spring 23 | 111640 | Screw, 2-56 x 7/32 Fil 3 |
| 300M | Coil, Magnet 21 | 74701 | Spring 10,12 | 112127 | Hinge 17 |
| 1156 | Screw, 2-56 x 9/16 Fil 31 | 74716 | Bushing, Insulating 17 | 112128 | Retainer 17 |
| 1164 | Screw, 2-56 x 3/16 Fil 5 | 74722 | Washer, Flat 4 | 112620 | Screw, 4-40 x 1/2 Hex 16 |
| 1171 | Screw, 6-32 x 3/16 Fil 32 | 76099 | Washer, Flat 17 | 112626 | Nut, 10-32 Hex 6 |
| 1178 | Screw, 2-56 x 7/16 Fil 31 | 76422 | Spring 13,22 | 112627 | Nut, 2-56 Hex 31 |
| 1210 | Screw, 2-56 x 5/8 Fil 5 | 76461 | Washer, Flat 21,26 | 112630 | Spring 3 |
| 2034 | Washer, Flat 6,10,20,23 | 78103 | Screw, 6-40 x 1-3/16 Hex 21 | 112634 | Spring 6 |
| 2167 | Ball, Bearing 9 | 80945 | Spring 13 | 113384 | Plate 17 |
| 2191 | Lockwasher 2,7,9,11,12, 19,22,32,33,35 | 81726 | Terminal 17 | 114107 | Spring 10 |
| 2605 | Spring 20 | 81731 | Spring 8,20 | 115594 | Nut, Speed 34 |
| 2669 | Lockwasher 6,34 | 82392 | Shim, .004" Thk 14,32 | 116793 | Lockwasher 35 |
| 3598 | Nut, 6-40 Hex 2,4,6,7,8, 9,10,14,16,17,18,19,20, 21,22,32,33 | 82463 | Spring 31 | 119421 | Washer, Flat 2,5 |
| 3599 | Nut, 6-40 Hex 4,6,7,9,15, 20 | 82532 | Screw, 6-40 Shoulder 26 | 119648 | Ring, Retaining 8,10,19, 22,30,32 |
| 3606 | Nut, 6-40 Hex 8,26 | 82538 | Screw, 6-40 x 5/16 Hex 21,32 | 119649 | Ring, Retaining 3,4,7,8, 9,10,13,15,16,17,20,26,33 |
| 3608 | Spring 6 | 82547 | Insulator, .094" Thk 17 | 119651 | Ring, Retaining 2,3,4,6, 7,8,10,11,12,14,23,30,32, 33 |
| 3640 | Lockwasher 17 | 82548 | Insulator, .062" Thk 17 | 119652 | Ring, Retaining 4,8,10, 19,26,32,33 |
| 3864 | Spring 21 | 83877 | Spring 17 | 119653 | Ring, Retaining 6,20 |
| 4703 | Spring 10 | 84226 | Spring 3,20 | 119654 | Ring, Retaining 6,20 |
| 4708 | Spring 30 | 84575 | Spring 3,8,10,14 | 120595 | Follower, Cam 17 |
| 5599 | Nut, 8-32 Hex 21 | 86283 | Spring 15 | 121018 | Nut, 4-40 Hex 9 |
| 7001 | Washer, Flat 19 | 87398 | Washer, Flat 4 | 121100 | Spring 17 |
| 7002 | Washer, Flat 2,3,4,5,6,7, 8,9,10,12,13,15,17,18,19, 20,22,23,30,31,32,33 | 87402 | Spring 21 | 121630 | Washer, Flat 21 |
| 7655 | Spring 23 | 90361 | Washer, Felt 23 | 121923 | Spring 26 |
| 8330 | Washer, Flat 13,30 | 90432 | Washer, Flat 10 | 124177 | Lockwasher 2,3,4,7,8,9, 10,14,15,16,17,18,20,21, 26,30,32 |
| 22746 | Spring 14 | 90615 | Spring 3 | 124612 | Screw, 8-32 x 1/2 Hex 2 |
| 31636 | Spring 5,20 | 90790 | Washer, Flat 10,15,26 | 124681 | Setscrew, 6-40 4,6,12,13, 16,30 |
| 33765 | Washer, Flat 3 | 90891 | Spring 33 | 125011 | Washer, Flat 15,17,30 |
| 41732 | Plate, Clamp 21 | 92115 | Setscrew, 8-32 35 | 125015 | Washer, Flat 14,16,17,18, 33 |
| 42661 | Spring 10 | 92527 | Lockwasher 21 | 125112 | Screw, 2-56 x 1/8 Fil 17 |
| 42823 | Washer, Flat 36 | 92604 | Jumper, 2" Lg 37 | 125181 | Screw, 2-56 x 3/8 Fil 16 |
| 44048 | Washer, Flat 16,20 | 92608 | Jumper, 3" Lg 37 | 125206 | Screw, 6-32 x 5/8 Fil 11 |
| 45027 | Spring 8 | 93117 | Lockwasher 3,5,16 | 125252 | Spring 15 |
| 45104 | Spring 30 | 93118 | Lockwasher 5,17,31 | 125802 | Washer, Flat 15 |
| 49054 | Screw, 2-56 x 3/16 Flat 6 | 93356 | Washer, Felt 30 | 125928 | Washer, Flat 34 |
| 49420 | Spring 15 | 93984 | Lockwasher 19 | | |
| 70388 | Spring 10 | 93985 | Lockwasher 2,5,16 | | |
| 70466 | Spring 10 | 98718 | Washer, Flat 19 | | |
| 71073 | Washer, Flat 5,16,17,31 | 100759 | Screw, 4-40 x 3/16 Flat 11 | | |
| 71681 | Spool, Ribbon 6 | 101386 | Spring 4,17,21,22,23,24, 32 | | |
| | | 104752 | Washer, Flat 21,22,32 | | |
| | | 104807 | Washer, Flat 7,21,26,30 | | |

NUMERICAL INDEX (Continued)

| Part Number | Description and Page Number | Part Number | Description and Page Number | Part Number | Description and Page Number |
|-------------|--|-------------|---|-------------|-----------------------------------|
| 128357 | Ring, Retaining 21,30,35 | 152890 | Washer, Flat 21 | 180464 | Pulley, Carriage Return Spring 10 |
| 138033 | Insulator, .031" Thk 5, 31 | 152891 | Spring 32 | 180466 | Ring, Retaining 9 |
| 138034 | Plate, Clamp 5,31 | 152893 | Screw, 4-40 x 1/4 Hex 6, 7,15,17,21,23,30 | 180467 | Bearing, Ball 9 |
| 138538 | Fuse, SL-BL 2 Amp 37 | 153267 | Washer, Felt 6 | 180468 | Bearing, Ball 9 |
| 143306 | Fuse, SL-BL 1 Amp 37 | 153484 | Screw, 6-32 Spl 36 | 180469 | Link 8,9 |
| 145887 | Spring, Contact 17 | 153537 | Screw, 6-40 x 9/32 Hex 30 | 180470 | Roller 8 |
| 150026 | Lever, Shoe Release 11,12 | 153631 | Network, Spark Suppression 36 | 180471 | Block 9 |
| 150029 | Wick, Felt 11,12,18,19 | 153799 | Screw, 4-40 x 21/64 Hex 6,15 | 180473 | Shaft 9 |
| 150040 | Screw, 6-40 x 5/8 Fil 13, 18 | 153817 | Screw, 4-40 x 3/8 Hex 4, 6,21,22,32 | 180474 | Stud 9 |
| 150043 | Shoe, Secondary Clutch 11,12,18,19 | 155750 | Sleeve, 3/32 ID x 1/2" Lg, Insulating 21,22 | 180475 | Bushing 9 |
| 150044 | Shoe, Primary Clutch 11,12,18,19 | 156169 | Washer, Felt 21 | 180476 | Screw, 6-40 Spl 8 |
| 150241 | Spring 11,12,18,19 | 156509 | Washer, Flat 10 | 180477 | Bracket 8 |
| 150830 | Bushing, Shoulder 12 | 156536 | Screw, 4-40 x 1/8 Fil 9 | 180478 | Guide, Nylon 8 |
| 150841 | Bearing 12 | 156558 | Washer, Felt 10 | 180479 | Bracket 8,26 |
| 150923 | Washer, Felt 31 | 156572 | Washer, Felt 9 | 180480 | Arm w/Stud 9 |
| 150930 | Washer, Felt 11,12,16 | 156740 | Screw, 6-40 x 7/32 Hex 20 | 180482 | Arm w/Shaft 7 |
| 150990 | Washer, Felt 33 | 156768 | Screw, 8-32 x 9/32 Hex 35 | 180483 | Arm, Stop 8 |
| 151152 | Screw, 4-40 x 3/16 Hex 7, 9,10,21,22,30,32 | 157899 | Arm, NC Contact 15 | 180484 | Arm, Stop 8 |
| 151346 | Screw, 6-40 x 3/8 Fil 35 | 158186 | Screw, 4-40 x 7/32 Fil 4 | 180485 | Arm w/Spring 9 |
| 151397 | Spring 17 | 158189 | Washer, Felt 10 | 180486 | Link 8 |
| 151413 | Washer, Flat 10 | 158772 | Screw, 4-40 x 5/8 Hex 21 | 180487 | Stud 9 |
| 151603 | Spacer 17 | 160455 | Spring 22 | 180488 | Shaft 7 |
| 151610 | Washer, Flat 30 | 160626 | Insulator .031" Thk 31 | 180489 | Lever w/Pin 6 |
| 151629 | Nut, 6-40 Lug 6,13,30 | 160627 | Bushing, Insulating 31 | 180491 | Shaft 9 |
| 151630 | Screw, 6-40 x 1/4 Hex 9, 26 | 161100 | Spring, Contact 17 | 180492 | Arm 8 |
| 151631 | Screw, 6-40 x 5/16 Hex 3 | 161346 | Washer, Felt 10 | 180493 | Lever, Trip 8 |
| 151640 | Lever, Shoe Release 19 | 161347 | Washer, Felt 16 | 180495 | Link, Ribbon 7 |
| 151658 | Screw, 6-40 x 5/16 Fil 11,12 | 162573 | Retainer 12 | 180496 | Arm, Stop 8 |
| 151693 | Screw, 6-40 x 9/16 Fil 7, 30 | 162881 | Plate 17 | 180497 | Spring, Print Hammer 7 |
| 151722 | Screw, 6-40 x 3/16 Hex 3, 4 | 162886 | Screw, 4-40 x 7/32 Hex 30 | 180498 | Bracket 6 |
| 151723 | Screw, 10-32 x 3/8 Hex 34 | 164958 | Screw, 4-40 x 1/2 Hex 19 | 180500 | Frame 6,7,8,9 |
| 151728 | Spring 11,12,19 | 171227 | Spring, Contact 31 | 180501 | Arm w/Stud 7,8 |
| 151731 | Screw, 4-40 x 7/8 Fil 15, 36 | 171235 | Spring, Contact 31 | 180502 | Head, Print Hammer 7 |
| 151737 | Screw, 4-40 x 11/64 Hex 6 | 171236 | Spring, Contact 31 | 180503 | Shaft w/Spacer 7,9 |
| 151880 | Nut, 4-40 Hex 9,14,21,22, 32 | 171254 | Insulator, .015" Thk 31 | 180505 | Plate, Left Guide 7 |
| 152129 | Spring 22 | 171259 | Spring 22 | 180506 | Plate, Right Guide 7 |
| 152425 | Post, Spring 17 | 172591 | Spring, Contact Arm 15 | 180508 | Stud, Eccentric 8 |
| 152426 | Nut, 6-40 Self-Locking 17 | 172993 | Spring 30 | 180509 | Slide, No. 3 Pulse 8 |
| 152441 | Washer, Flat 4 | 174034 | Screw, 4-40 x 13/16 Hex 17 | 180510 | Slide, Common 8 |
| | | 178306 | Relay, Power 36 | 180511 | Slide, No. 1 & No. 2 Pulse 8 |
| | | 180044 | Terminal, Tab Type 22,37 | 180512 | Slide w/Plates 8 |
| | | 180045 | Terminal, Tab Type 22,37 | 180513 | Slide, No. 5 Pulse 8 |
| | | 180063 | Spring, Compression 33 | 180514 | Slide, No. 4 Pulse 8 |
| | | 180463 | Post, Bail Pivot 10 | 180517 | Lever, Latch 8 |
| | | | | 180518 | Plate 7 |
| | | | | 180519 | Rack 7 |
| | | | | 180520 | Arm 8 |
| | | | | 180521 | Slide, Print Suppression 8 |

NUMERICAL INDEX (Continued)

| Part Number | Description and Page Number | Part Number | Description and Page Number | Part Number | Description and Page Number |
|-------------|--|-------------|------------------------------|-------------|--|
| 180522 | Bushing 8 | 180642 | Pushbar 17 | 180752 | Lever, Function 16 |
| 180526 | Bail w/Stud 9 | 180643 | Lever, Blocking 17 | 180754 | Hub 16 |
| 180528 | Lever w/Hub 9 | 180644 | Lever, Blocking 17 | 180755 | Hub 16 |
| 180534 | Plate, Guide 7 | 180645 | Lever, Selector 17 | 180761 | Ring, Retaining 16 |
| 180537 | Link 8 | 180646 | Lever, Shoe Release 18 | 180763 | Link 23 |
| 180538 | Shaft 8 | 180648 | Arm, Follower 13 | 180767 | Ring, Retaining 13,15,23 |
| 180539 | Bail w/Stud 8 | 180649 | Spring 17 | 180768 | Ring, Retaining 11,12 |
| 180540 | Bail, Print Hammer 7,8 | 180654 | Knob, Range 18 | 180769 | Link, Left 23 |
| 180541 | Plate w/Posts 6,7 | 180655 | Plate, Side 17 | 180770 | Link, Right 23 |
| 180543 | Base, Ribbon Unit 6 | 180657 | Bracket, Guide 17 | 180771 | Arm 15 |
| 180544 | Bail, Drive 10 | 180658 | Shaft, Guide 17 | 180772 | Shaft 15 |
| 180545 | Bracket 10 | 180661 | Bracket 18 | 180773 | Plate 15 |
| 180546 | Post 10 | 180663 | Scale, Range 17 | 180774 | Arm, Eccentric Follower 11,12 |
| 180547 | Stud, Eccentric 6 | 180667 | Plate w/Bushing 18 | 180776 | Bracket 33 |
| 180548 | Plate 7 | 180668 | Follower, Cam 18 | 180777 | Arm, Drive 16 |
| 180549 | Bracket 7 | 180669 | Lever, Spacing Lock 17 | 180778 | Plate 15 |
| 180552 | Post 7 | 180671 | Lever, Start 17 | 180779 | Bracket 15 |
| 180553 | Spring 9 | 180672 | Bail 17 | 180780 | Blade 23 |
| 180554 | Bushing 7 | 180673 | Plate, Front 17,18 | 180781 | Hub 15,23 |
| 180555 | Spring 7 | 180675 | Screw, No. 6 Self-Tapping 17 | 180782 | Shaft, Pivot 23 |
| 180556 | Plate, Gauge 9 | 180676 | Nut, No. 6 Speed 17,19 | 180783 | Casting, Function Box 15 |
| 180557 | Lever w/Stud 8 | 180677 | Arm, Trip 18 | 180788 | Plate, Rear Rail 15,26 |
| 180558 | Collar 8 | 180678 | Plate, Spring 17 | 180789 | Roller 15 |
| 180559 | Shaft 8 | 180682 | Upstop 10 | 180791 | Arm w/Stud 15 |
| 180562 | Link, Left Ribbon 7 | 180684 | Latchlever 18 | 180792 | Pawl, Function 15 |
| 180563 | Stud, Eccentric 7 | 180685 | Nut, 6-40 Spl 18 | 180793 | Lever 24 |
| 180564 | Bracket, Lock 7 | 180688 | Core, Magnet 17 | 180794 | Lever, Line Feed 23 |
| 180566 | Hub w/Pinion 9 | 180691 | Plate 17 | 180795 | Bracket, Spring 23 |
| 180568 | Bracket, Guide 7 | 180692 | Spring, Flat 17 | 180796 | Clamp 15 |
| 180569 | Spring, Compression 7 | 180704 | Armature 17 | 180797 | Clamp 10,16,23 |
| 180571 | Plate 9 | 180710 | Plate w/Post 17 | 180798 | Screw, 8-32 Self-Tapping 2,5,6,10,11,12,13,14,15,16,19,20,23,32,33,35,36 |
| 180574 | Stud, Eccentric 9 | 180715 | Coil, Magnet 17 | 180801 | Lever w/Bracket 25 |
| 180575 | Bearing, Ball 9,16 | 180717 | Spring 17 | 180806 | Camsleeve 11 |
| 180576 | Bearing, Ball 9 | 180718 | Spring 18 | 180807 | Camsleeve 11,12 |
| 180578 | Bracket w/Post 10 | 180719 | Spring 17 | 180808 | Spacer, .050" Thk 11 |
| 180579 | Bracket w/Hub 9 | 180721 | Wick, Felt 17 | 180809 | Arm 16 |
| 180580 | Lever w/Stud 8,9 | 180727 | Washer, Flat 17 | 180813 | Pawl, Function 15 |
| 180581 | Roller, Typewheel 7 | 180728 | Spring 17 | 180818 | Lever, Function 24 |
| 180584 | Lever 9 | 180740 | Bail 15 | 180820 | Lever, Control 20,33 |
| 180585 | Spring 8 | 180741 | Shaft, Function 16,21 | 180821 | Lever w/Stud 20 |
| 180586 | Sleeve, 5/32 ID x 21/32 Lg Insulating 8,37 | 180742 | Roller 16 | 180823 | Block, Contact |
| 180591 | Spring 7 | 180743 | Bearing, Right 16 | 180824 | Contact, Common 22 |
| 180595 | Setscrew, 4-40 8 | 180744 | Collar 6,16 | 180826 | Lever, Detent 22 |
| 180598 | Typewheel, MA 27 | 180745 | Arm w/Stud 16 | 180827 | Drum, Answer Back 22 |
| 180606 | Bail 9 | 180746 | Arm w/Bushing 11,12,16 | 180828 | Pawl, Feed 20 |
| 180607 | Arm, Adjusting 9 | 180748 | Arm w/Stud 16 | 180829 | Screw, 4-40 Shoulder 20 |
| 180608 | Bracket, Left 2,5 | 180749 | Arm w/Stud 16 | 180830 | Bracket 33 |
| 180610 | Shield 7 | 180750 | Arm w/Stud 16 | | |
| 180641 | Camsleeve 18 | 180751 | Arm w/Stud 16 | | |

NUMERICAL INDEX (Continued)

| Part Number | Description and Page Number | Part Number | Description and Page Number | Part Number | Description and Page Number |
|-------------|---------------------------------|-------------|-----------------------------|-------------|-------------------------------|
| 180831 | Lever 33 | 180964 | Roller 19 | 181028 | Camsleeve 11 |
| 180832 | Link, Tie 33 | 180967 | Shaft, Distributor 19 | 181030 | Bracket w/Stud 2 |
| 180833 | Bracket, Adjusting 33 | 180968 | Buffer 20 | 181034 | Platen 2 |
| 180834 | Bail, Trip 33 | 180969 | Bearing 19 | 181037 | Bracket, Right 2 |
| 180835 | Pawl, AB Blocking 15 | 180970 | Bearing 19 | 181038 | Bracket, Left 2,5,9 |
| 180836 | Lever, Blocking Function 24 | 180971 | Shaft, Trip 20,22 | 181039 | Knob, Platen 2 |
| 180837 | Link, Blocking 20 | 180972 | Clamp, Buffer 20 | 181040 | Pawl, Detent 2,4 |
| 180838 | Lever, Function 24 | 180973 | Disc, Spacer 19 | 181041 | Retainer 2,4 |
| 180842 | Spacer, .050" Thk 22 | 180975 | Bracket w/Stud 33 | 181042 | Tip, Rubber 3,26 |
| 180843 | Lever, Trip 20,22 | 180978 | Lever w/Stud 33 | 181044 | Roller, Pressure 3 |
| 180844 | Armature 21,22,32 | 180979 | Brush, Carbon 19 | 181045 | Post, Support 2,5,21 |
| 180847 | Bracket, Spring 21,22,32 | 180980 | Holder, Brush 19 | 181048 | Bracket, Stop 2 |
| 180850 | Bracket, Magnet 19,21,22 | 180981 | Arm, Stop 20 | 181049 | Arm, Right 3 |
| 180854 | Brace 22 | 180982 | Bail, Trip 20 | 181050 | Arm, Left 3 |
| 180855 | Latch, Blocking 22 | 180983 | Lever, Latch 20 | 181051 | Bracket, Left 3 |
| 180858 | Contact, Wire 22 | 180985 | Lever, Follower 20 | 181052 | Plate 2,26 |
| 180860 | Spring 16,20,30 | 180987 | Disc 19,22 | 181053 | Bail, Paper Straightener 3 |
| 180861 | Spring 20 | 180988 | Bracket, Spring 20 | 181054 | Shaft, Pressure 3 |
| 180862 | Spring 22 | 180989 | Screw, No.6 Spl 19,22 | 181055 | Bar 2,3 |
| 180863 | Spring 15,20 | 180990 | Link Keyboard 33 | 181056 | Guideplate, Pressure Roller 3 |
| 180864 | Spring, Extension 20 | 180991 | Cam, Blocking 19 | 181057 | Bracket, Right 3 |
| 180865 | Coil, Adjusting 33 | 180992 | Spring, Torsion 19 | 181058 | Guideplate, Paper 3 |
| 180874 | Strap, 4-1/2" Braided 33 | 180994 | Spacer, .015" Thk 19 | 181062 | Eccentric, Toggle Link 10 |
| 180920 | Shaft 14 | 180995 | Spacer, .114" Thk 19,21, 22 | 181065 | Pawl, Check 10 |
| 180922 | Spring 14 | 180997 | Disc w/Plate 19 | 181066 | Shaft, Spacing Drum 6 |
| 180923 | Bracket w/Studs 14,22 | 180998 | Clamp 16,19 | 181067 | Pawl, Feed 10 |
| 180925 | Clamp 14 | 180999 | Bearing, Left 16 | 181068 | Lever w/Post 10 |
| 180926 | Ring, Retaining 14 | 181000 | Drum, Clutch 11,12,18 | 181069 | Drum, Spacing 6 |
| 180927 | Ring, Retaining 13,14 | 181001 | Bearing 11,12 | 181070 | Lever, Suppression 10 |
| 180928 | Bail 33 | 181002 | Bearing 11,12 | 181071 | Link 10,33 |
| 180930 | Bearing 33 | 181003 | Latchlever, 13 | 181072 | Bracket w/Post 6 |
| 180932 | Bar, No.8-1 Code 14 | 181004 | Hub 13 | 181074 | Pulley 6 |
| 180933 | Bar, No.8-2 Code 14 | 181005 | Link, Carriage 10,11 | 181075 | Belt, 127T 6 |
| 180934 | Bar, No.8-3 Code 14 | 181006 | Bushing 13 | 181076 | Roller 10 |
| 180935 | Bar, No.8-4 Code 14 | 181007 | Shaft, Main 11,18 | 181077 | Ratchet, Spacing 6 |
| 180936 | Bar, No.8-5 Code 14 | 181008 | Collar 11,12 | 181078 | Stud 10 |
| 180937 | Bar, No.8-6 Code 14 | 181010 | Lever w/Stud 13 | 181079 | Washer, Flat 6 |
| 180938 | Bar, No.7 Code 14 | 181011 | Lever w/Nut 13 | 181081 | Arm w/Hub and Post 33 |
| 180939 | Bar, No.8 Code 14 | 181012 | Spacer 13 | 181082 | Eccentric, Toggle Link 10 |
| 180947 | Bar, Spring Suppression Code 14 | 181013 | Spacer, .453" Thk 13 | 181083 | Lever 24 |
| 180948 | Bar, Auto CR & EOL Bell Code 14 | 181014 | Grommet, Rubber 13 | 181084 | Bracket 6 |
| 180949 | Bracket, Rear Tie 14 | 181015 | Gear, 35T 12 | 181085 | Shaft 33 |
| 180950 | Bracket, Front Tie 14,32 | 181017 | Plate 13 | 181086 | Lever w/Hub 10 |
| 180956 | Spring 4,14,30 | 181018 | Shaft 13 | 181088 | Post 10 |
| 180957 | Bracket, Spring 14 | 181019 | Lever, Trip 13 | 181089 | Arm w/Hub 10 |
| 180958 | Nut, 6-40 Lug 17 | 181020 | Lever 13 | 181091 | Link w/Post, Toggle 10 |
| 180959 | Bracket 17 | 181021 | Spacer, .406" Thk 13 | 181092 | Bracket, Belt 6 |
| | | 181022 | Bracket, Left 11,12,13 | 181093 | Bracket, Extension 6 |
| | | 181023 | Bracket, Right 13 | | |

NUMERICAL INDEX (Continued)

| Part Number | Description and Page Number | Part Number | Description and Page Number | Part Number | Description and Page Number |
|-------------|--|-------------|--|-------------|-------------------------------------|
| 181094 | Bracket w/Post 10 | 181241 | Screw w/Lockwasher, 6-40 X 1/4 Hex 8,10,12,13,15, 17,20,23,26,30,31,36 | 181409 | Belt, 47T 19 |
| 181103 | Cover, Base 34 | | | 181411 | Pinion, 18T 35 |
| 181104 | Clip, Cable 5,21 | | | 181413 | Drum, Clutch 19 |
| 181109 | Mount, Vibration 34 | 181242 | Screw w/Lockwasher, 6-40 x 5/16 Hex 2,3,4,5,7,8, 11,12,16,17,19,20,21,30 | 181414 | Pulley, 34T 19 |
| 181111 | Pawl, Feed 6 | | | 181417 | Pulley w/68T Gear, 13T 35 |
| 181113 | Spring, Compression 6 | 181243 | Screw w/Lockwasher, 6-40 x 3/8 Hex 6,16,21,22,30, 33 | 181419 | Pulley w/62T Gear, 13T 35 |
| 181114 | Lever 6 | | | 181420 | Pulley w/54T Gear, 17T 35 |
| 181115 | Stud 6 | | | 181424 | Nut, 6-40 Sq 11,12 |
| 181116 | Arm, Reverse 6 | 181245 | Screw w/Lockwasher, 6-40 x 1/2 Hex 2,21,33 | 181425 | Plate 11 |
| 181117 | Pawl, Retaining 6 | | | 181426 | Plate, Spacer 11 |
| 181118 | Spring 6 | 181246 | Screw w/Lockwasher, 6-40 x 5/8 Hex 11,12,13 | 181427 | Plate, Nut 11 |
| 181119 | Spring 6 | | | 181440 | Bracket, Switch 16 |
| 181120 | Spring, Compression 4,6 | 181249 | Screw w/Lockwasher, 6-40 x 1 Hex 21 | 181441 | Switch 16 |
| 181121 | Pin 6 | | | 181449 | Plate, Contact 15 |
| 181122 | Disc 6 | 181250 | Screw, No.2 Self-Tapping 15 | 181450 | Block, Contact 15 |
| 181123 | Nut, 4-40 Spl 6 | | | 181460 | Plate w/Post 15 |
| 181124 | Post 6 | 181278 | Clamp 15 | 181461 | Gong 15 |
| 181125 | Ratchet, Left Ribbon 6 | 181279 | Bracket 21 | 181464 | Clapper 15 |
| 181126 | Ratchet, Right Ribbon 6 | 181284 | Spring 18 | 181500 | Link, Drive 3 |
| 181129 | Ribbon w/Spool 6 | 181300 | Sleeve, 3/16 ID x 1" Lg Insulating 37 | 181501 | Upstop, Line Feed Link 3 |
| 181138 | Pad 34 | | | 181503 | Bracket, Guide 23 |
| 181151 | Fan 35 | 181304 | Latch 26 | 181521 | Spring, Platen 3 |
| 181164 | Shaft w/Link 3 | 181305 | Spring 26 | 181522 | Guide, Paper 3 |
| 181165 | Pawl, Feed 3 | 181307 | Lever w/Post 26 | 181523 | Spring 2,4 |
| 181166 | Bracket, Line Feed 3 | 181312 | Latch, Carriage Return 6 | 181524 | Nut, 2-56 Shoulder 3 |
| 181168 | Bellcrank w/Studs 3 | 181314 | Link w/Post 10 | 181525 | Guide, Paper 3 |
| 181172 | Lever, Function 24 | 181315 | Bail w/Post 33 | 181570 | Lever 24 |
| 181173 | Stud, Feed Pawl Stop 2 | 181316 | Shaft 10 | 181571 | Lever 24 |
| 181174 | Guide 16 | 181317 | Hub, Carriage Return Lever 10 | 181572 | Lever 24 |
| 181175 | Plate, Stripper 3 | | | 181573 | Lever 24 |
| 181176 | Link, Adjusting 3 | 181318 | Lever, Actuating 24 | 181574 | Lever 24 |
| 181178 | Bracket 33 | 181319 | Lever, Carriage Return 10 | 181575 | Lever 23 |
| 181179 | Lever, Blocking 23 | 181320 | Lever, Unlatch 10 | 181576 | Lever 24 |
| 181191 | Spring, Compression 9 | 181322 | Pawl, Function 15 | 181580 | Lever 24 |
| 181193 | Cylinder 2,5 | 181323 | Spring 8 | 181581 | Lever 24 |
| 181194 | Washer, Flat 9 | 181324 | Pawl, Function 15 | 181582 | Lever 24 |
| 181195 | Washer, Cup 9 | 181325 | Pawl, Function 15 | 181583 | Lever 24 |
| 181196 | Ring, Retaining 9 | 181326 | Arm 6 | 181585 | Lever 24 |
| 181197 | Plate, Adjusting 2,5 | 181327 | Latch 6 | 181586 | Pawl, Blocking 15 |
| 181198 | Bumper 9 | 181328 | Lever 10 | 181653 | Diode 36 |
| 181199 | Piston 9 | 181383 | Clamp, Motor 35 | 181826 | Jumper, 2" Black 37 |
| 181203 | Washer, Flat 35 | 181384 | Capacitor, 88-108 MFD 36 | 181850 | Plate w/Stud 35 |
| 181204 | Washer, Flat 35 | 181386 | Insulator 36 | 181851 | Gear, 17T 35 |
| 181230 | Plate 10 | 181387 | Capacitor, 5 MFD 36 | 181853 | Pulley w/66T Gear, 16T 35 |
| 181231 | Screw, 8-32 Self-Tapping 16,21 | 181392 | Terminal, Tab Type 33 | 181854 | Pulley w/60T Gear, 16T 35 |
| 181237 | Screw, 1/4-14 Self-Tapping 34 | 181394 | Capacitor, 47-56 MFD 36 | 181855 | Pulley w/40T Gear, 16T 35 |
| 181240 | Screw w/Lockwasher, 6-40 x 3/16 Hex 2,5,10,17,23, 30 | 181405 | Plate 13 | 181861 | Motor, 115V AC Synchronous 35,36,37 |
| | | 181406 | Roller 13 | 181866 | Bracket 36 |
| | | | | 181867 | Insulator 36 |

NUMERICAL INDEX (Continued)

| Part Number | Description and Page Number | Part Number | Description and Page Number | Part Number | Description and Page Number |
|-------------|--|-------------|-------------------------------------|-------------|-----------------------------|
| 181868 | Clip, Speed 36 | 182277 | Spring 20 | 183059 | Bushing, Insulating 21 |
| 181869 | Relay, Motor Start 36 | 182280 | Typewheel, MB 27 | 183060 | Terminal, Lug 21 |
| 181870 | Motor, 115V AC Synchronous 35,36,37 | 182286 | Insulator, .032" Thk 15, 33 | 183062 | Cover, Contact 21 |
| 181877 | Relay w/Bracket 36 | 182290 | Modification Kit 15,24 | 183098 | Lever, Trip 21 |
| 181891 | Sleeve, 3/16 ID x 2-1" Lg Insulating 37 | 182291 | Modification Kit 15,24 | 183110 | Shim, .004" Thk 21,32 |
| 181892 | Sleeve, 9/64 ID x 1" Lg Insulating 36 | 182293 | Typewheel, MC 27 | 183126 | Clip 34 |
| 181895 | Sleeve, 9/64 ID x 3/8" Lg Insulating 37 | 182310 | Bar, No.8-1 Code 14 | 183130 | Insulator 21 |
| 181951 | Insert, Nylon 34 | 182311 | Bar, No.8-2 Code 14 | 183301 | Plate, Paper Guide 4 |
| 181952 | Stud 2 | 182312 | Bar, No.8-3 Code 14 | 183303 | Knob, Disengaging 4 |
| 181954 | Typewheel, NJ 6 | 182313 | Bar, No.8-4 Code 14 | 183304 | Knob, Sprocket 4 |
| 181955 | Washer, Pulley 6 | 182314 | Bar, No.8-5 Code 14 | 183308 | Plate, Right 4,5 |
| 191956 | Drum, Spacing 6 | 182315 | Bar, No.8-6 Code 14 | 183309 | Plate, Left 4,5 |
| 181957 | Belt, 151T 6 | 182316 | Bar, No.7 Code 14 | 183310 | Platen 4 |
| 181983 | Screw, 6-40 x 5/8 Spl 15 | 182317 | Bar, No.8 Code 14 | 183313 | Bar 4 |
| 182015 | Lever Assembly Clutch Trip 1,13 | 182318 | Bar, R Code 14 | 183314 | Guide, Right Paper 4 |
| 182037 | Switch Assembly, Contact 15 | 182330 | Bar, No.8-A Code 14 | 183315 | Guide, Left Paper 4 |
| 182047 | Clutch Assembly 11,12 | 182461 | Bracket, Upstop 10 | 183316 | Bracket 4 |
| 182056 | Modification Kit 6 | 182531 | Clip, Speed 34,35 | 183317 | Bracket, Right 4 |
| 182068 | Plate, Identification 37 | 182540 | Connector, 15 Pt Plug Type 22,37 | 183318 | Bracket, Left 4 |
| 182069 | Plate, Identification 37 | 182643 | Terminal, Plug Type 22, 36,37 | 183319 | Detent, 21T 4 |
| 182137 | Contact Assembly 21 | 182644 | Terminal, Receptacle Type 36,37 | 183320 | Pulley, 21T 4 |
| 182155 | Plate, Right 7 | 182650 | Connector, 4 Pt Plug Type 37 | 183321 | Sprocket, Feed 4 |
| 182156 | Plate, Left 7 | 182677 | Cable w/Terminals 22 | 183322 | Pulley, 21T 4 |
| 182157 | Bushing, Shoulder 7 | 182692 | Jumper, 2-1/4" Orange 37 | 183323 | Bracket, Right 5 |
| 182181 | Fan 35 | 182726 | Terminal, Receptacle Type 37 | 183324 | Arm, Reverse 6 |
| 182182 | Holder, Fuse 37 | 182693 | Jumper, 1-1/4" Orange 37 | 183326 | Guide, Bracket 6,7 |
| 182183 | Deflector, Air 35 | 182894 | Link 21 | 183330 | Guide 6 |
| 182232 | Roller 19 | 182895 | Plate w/Bushing 21 | 183335 | Guide, Left 4 |
| 182237 | Pawl, Function 15 | 182898 | Arm 21 | 183336 | Guide, Right 4 |
| 182239 | Lever, Latch 20 | 182900 | Link w/Post 21 | 183338 | Knob w/Pin 4 |
| 182241 | Motor, 60 Cycle Synchronous 35,36,37 | 182902 | Spacer, .469" Thk 21 | 183339 | Plunger Assembly 4 |
| 182244 | Lever, Cam Follower 20 | 182955 | Link, Support 21 | 183341 | Wheel, Idler 4 |
| 182250 | Foot, Rubber 34 | 182957 | Plate 27 | 183346 | Ring, Retaining 4 |
| 182262 | Arm, Stop 20 | 182958 | Spacer 21 | 183349 | Washer, Felt 4 |
| 182263 | Bracket 20 | 182960 | Plate 21 | 183351 | Stud, Idler 4 |
| 182264 | Stud 20 | 182961 | Sleeve 21 | 183352 | Guide, Paper 4 |
| 182267 | Motor, 50 Cycle Synchronous 35,36,37 | 182964 | Arm Assembly, Drive 1,21 | 183356 | Washer, Supporting 4 |
| 182268 | Lever, Cam Follower 20 | 183052 | Bracket, Contact 21 | 183357 | Spring, Compression 4 |
| 182269 | Modification Kit 20 | 183053 | Stiffener, Front 21 | 183358 | Plate 5 |
| 182272 | Resistor, 10 Ohm 36 | 183054 | Stiffener, Rear 21 | 183360 | Arm 16 |
| 182276 | Lever, Answer-Back Trip 20,22 | 183055 | Spring, Contact 21 | 183361 | Disc 12 |
| | | 183056 | Spring, Contact 21 | 183364 | Pulley w/20T Gear, 30T 30 |
| | | 183057 | Insulator, .031" Thk 21 | 183367 | Pulley w/28T Gear, 21T 30 |
| | | 183058 | Insulator, .062" Thk 21 | 183369 | Pulley w/35T Gear, 21T 30 |
| | | | | 183371 | Bearing, Sleeve 12 |
| | | | | 183372 | Lever, Shoe Release 12 |
| | | | | 183373 | Disc, 6 Stop 12 |
| | | | | 183374 | Disc, 6 Stop 12 |
| | | | | 183376 | Collar 12 |
| | | | | 183377 | Collar 30 |

NUMERICAL INDEX (Continued)

| Part Number | Description and Page Number | Part Number | Description and Page Number | Part Number | Description and Page Number |
|-------------|--|-------------|-------------------------------|-------------|---|
| 183378 | Belt, 41T 30 | 183437 | Bracket 30,31 | 183876 | Screw, 6-32 Set 4 |
| 183379 | Belt, 50T 30 | 183438 | Stud 4 | 183877 | Modification Kit 30 |
| 183380 | Casting, Frame 2,5,6,8, 10,11,12,13,14,15,16,17, 19,20,22,23,32,33,35,36 | 183442 | Lever w/Hub 4 | 183878 | Modification Kit 30 |
| 183381 | Washer, Flat 12 | 183443 | Bracket 5 | 183879 | Modification Kit 30 |
| 183382 | Shaft, Main 12 | 183444 | Contact Assembly 31 | 183880 | Modification Kit 30 |
| 183383 | Pulley, 15T 12 | 183445 | Contact Assembly 5 | 183881 | Modification Kit 30 |
| 183384 | Disc 30 | 183448 | Pointer 30 | 183882 | Modification Kit 30 |
| 183385 | Arm, Stop 30 | 183449 | Plate, Index 30 | 183883 | Modification Kit 30 |
| 183387 | Pawl, Function 15 | 183450 | Screw, 4-40 x 7/32 Flat 12 | 183884 | Spring 30 |
| 183388 | Pawl, Function 15 | 183454 | Retainer, Spring 4 | 183887 | Bail, L.F. 30 |
| 183389 | Arm 12 | 183457 | Plate 30 | 183922 | Typewheel 27 |
| 183390 | Arm w/Stud 16 | 183458 | Plate, Stop 30 | 183993 | Camsleeve 11,12 |
| 183391 | Gear, 16T 30 | 183464 | Post, Spring 30 | 183994 | Link 9,10,11,12 |
| 183392 | Gear, 20T 30 | 183465 | Spacer 30 | 183995 | Lever 9 |
| 183393 | Gear, 40T 30 | 183466 | Bracket 30 | 183996 | Link, Toggle 10 |
| 183394 | Gear, 20T 30 | 183467 | Insulator 30 | 183998 | Clutch Assembly 11,12 |
| 183395 | Gear, 24T 30 | 183468 | Lever, Strip 23 | 183999 | Spacer, .050" Thk 11,12 |
| 183396 | Gear, 20T 30 | 183469 | Plate 23 | 184006 | Screw, 8-32 Self-Tapping 8,10,13,15,22 |
| 183397 | Gear, 24T 30 | 183474 | Modification Kit 6,7 | 184055 | Screw w/Lockwasher, 6-24 x 3/16 Hex 33 |
| 183398 | Gear, 44T 30 | 183483 | Post 31 | 184085 | Screw, 8-32 Thumb 34 |
| 183399 | Gear, 45T 30 | 183484 | Cover, Contact 31 | 184088 | Spring 30 |
| 183400 | Gear, 70T 30 | 183492 | Clutch Assembly 12 | 184089 | Shield 31 |
| 183401 | Gear, 40T 30 | 183495 | Bar, Code 14 | 184090 | Shield 31 |
| 183402 | Gear, 51T 30 | 183496 | Bar, Code 14 | 184096 | Bracket 10 |
| 183403 | Gear, 50T 30 | 183497 | Bar, Code 14 | 184148 | Contact, Wire 22 |
| 183404 | Gear, 36T 30 | 183498 | Bar, Code 14,26 | 184149 | Drum, Answer-Back 22 |
| 183405 | Bail 30 | 183499 | Lever, Blocking 23 | 184157 | Modification Kit 23 |
| 183406 | Bracket, Stop 30 | 183503 | Housing, Bearing 9 | 184160 | Solenoid 32 |
| 183407 | Arm 30 | 183504 | Retainer, Bearing 9 | 184201 | Lever 20 |
| 183408 | Arm 12 | 183510 | Cable Assembly 22 | 184251 | Lever w/Bracket 25 |
| 183409 | Arm, Latch 30 | 183552 | Lever 24 | 184253 | Lever 25 |
| 183411 | Plate, Cam 30 | 183558 | Post 14,32 | 184254 | Lever 25 |
| 183415 | Roller 19 | 183560 | Lever 32 | 184255 | Lever 25 |
| 183418 | Shaft, Distributor 19 | 183561 | Bracket, Magnet 32 | 184255 | Lever 25 |
| 183422 | Roller 30 | 183562 | Bracket 33 | 184256 | Lever 25 |
| 183423 | Bracket, Spring 30 | 183563 | Bracket 32 | 184257 | Lever 25 |
| 183425 | Clamp 15,16 | 183564 | Bracket w/Stud 32 | 184258 | Lever 25 |
| 183426 | Clamp 15 | 183565 | Bar w/Link 32 | 184259 | Lever 25 |
| 184428 | Shaft 30 | 183567 | Bar 14 | 184280 | Knob Assembly 4 |
| 183429 | Bail 30 | 183588 | Typewheel, MD 27 | 184685 | Typewheel, MG 27 |
| 183430 | Arm 30 | 183599 | Typewheel, ME 27 | 184686 | Typewheel, MH 27 |
| 183431 | Bail, Clutch Latch 30 | 183851 | Retainer, Left 23 | 184688 | Typewheel, MJ 27 |
| 183432 | Bail, Reset 30 | 183852 | Pin 32 | 184689 | Typewheel, MK 27 |
| 183433 | Bracket, Side 30 | 183853 | Retainer, Right 23 | 184690 | Typewheel, ML 27 |
| 183434 | Bracket, Contact Switch 31 | 183861 | Plate, Stop 5 | 184691 | Typewheel, MN 27 |
| 183435 | Bail, Contact Switch 30 | 183862 | Terminal 5,31 | 184692 | Typewheel, MU 27 |
| 183436 | Bracket 30 | 183863 | Spring, Contact 5,31 | 184693 | Typewheel, MP 27 |
| | | 183864 | Spring, Contact 5,31 | 184694 | Typewheel, MT 27 |
| | | 183865 | Bushing, Insulating 5,31 | 184695 | Typewheel, MR 27 |

NUMERICAL INDEX (Continued)

| Part Number | Description and Page Number | Part Number | Description and Page Number | Part Number | Description and Page Number |
|-------------|-----------------------------|-------------|--|-------------|-------------------------------|
| 184696 | Typewheel, MV 27 | 185000 | Typewheel, RL 29 | 186011 | Bracket 37 |
| 184697 | Typewheel, MW 27 | 185484 | Typewheel, SB 29 | 186014 | Bracket, Contact 17 |
| 184698 | Typewheel, MY 27 | 185676 | Terminal, Plug Type 21, 22,36,37 | 186025 | Contact Assembly 17 |
| 184950 | Typewheel, MS 27 | | | 186052 | Spacer, .183" Thk 19 |
| 184951 | Typewheel, MZ 27 | 185677 | Terminal, Receptacle Type 36,37 | 186053 | Nut, Speed 19 |
| 184952 | Typewheel, NA 27 | | | 186070 | Typewheel, PS 29 |
| 184953 | Typewheel, NB 27 | 185680 | Plate, Identification 37 | 186175 | Bracket 6 |
| 184954 | Typewheel, HC 28 | 185700 | Base 34 | 186213 | Hub 16 |
| 184955 | Typewheel, ND 28 | 185708 | Screw, 8-32 x 3/8 Hex 35 | 186214 | Washer, Spl 16 |
| 184956 | Typewheel, NE 28 | 185721 | Bracket, Fuse 37 | 186240 | Set of Parts 16 |
| 184957 | Typewheel, NF 28 | 185730 | Modification Kit 37 | 186247 | Shaft 11 |
| 184958 | Typewheel, NG 28 | 185731 | Jumper, 3-3/4" Black 37 | 186248 | Shaft 12 |
| 184959 | Typewheel, NH 28 | 185732 | Bracket, Fuse 37 | 186249 | Cam, Selector 18 |
| 184960 | Typewheel, NK 28 | 185733 | Insulator 36,37 | 186253 | Lever w/Hub 20 |
| 184961 | Typewheel, NL 28 | 185734 | Fuse, SL-BL 2-1/4 Amp 37 | 186254 | Lever, Cam Follower 20,33 |
| 184962 | Typewheel, NM 28 | 185736 | Bracket, Spring 10 | 186257 | Clamp 20 |
| 184963 | Typewheel, NP 28 | 185775 | Extension, Armature 21, 22,32 | 186259 | Clamp, Bearing 16 |
| 184964 | Typewheel, NR 28 | | | 186261 | Link 33 |
| 184965 | Typewheel, NS 28 | 185788 | Arm 26 | 186262 | Shaft, Trip Pivot 20,22 |
| 184966 | Typewheel, NT 28 | 185789 | Stud 26 | 186264 | Lever w/Stud 33 |
| 184967 | Typewheel, NU 28 | 185790 | Plate, Detent 26 | 186265 | Buffer 20 |
| 184968 | Typewheel, NV 28 | 185791 | Modification Kit 1,26 | 186268 | Shaft, Distributor 19 |
| 184969 | Typewheel, NW 28 | 185796 | Bracket 2 | 186271 | Shaft, Distributor 19 |
| 184970 | Typewheel, NX 28 | 185799 | Shaft 6 | 186313 | Lever 24 |
| 184971 | Typewheel, NY 28 | 185816 | Screw, 6-40 x 5/16 Spl 2 | 186401 | Clutch Assembly 18 |
| 184972 | Typewheel, NZ 28 | 185834 | Plate, Identification 37 | 186412 | Arm 16 |
| 184973 | Typewheel, PA 28 | 185871 | Screw w/Lockwasher, 8-32 x 3/8 Hex 34 | 186413 | Arm 16 |
| 184974 | Typewheel, PB 28 | | | 186432 | Guideplate 7 |
| 184975 | Typewheel, PC 28 | 185877 | Platen 2,26 | 186442 | Piston 9 |
| 184976 | Typewheel, PD 28 | 185945 | Insulator 5 | 186443 | Bumper 9 |
| 184977 | Typewheel, PE 29 | 185968 | Latch 26 | 186445 | Cover, Contact 17 |
| 184978 | Typewheel, PF 29 | 185969 | Hub 26 | 186446 | Lever, Blocking 17 |
| 184979 | Typewheel, PG 29 | 185970 | Lever w/Post 26 | 186447 | Lever, Blocking 17 |
| 184980 | Typewheel, PH 29 | 185971 | Modification Kit 1,26 | 186448 | Timer Assembly 36 |
| 184981 | Typewheel, PJ 29 | 185975 | Guidepost 6 | 186460 | Pinion, 19T 35 |
| 184982 | Typewheel, PL 29 | 185980 | Retainer 32 | 186462 | Pulley w/64T Gear, 13T 35 |
| 184983 | Typewheel, PM 29 | 185984 | Lever 24 | 186465 | Timer Assembly 36 |
| 184984 | Typewheel, PN 29 | 185985 | Lever 24 | 186468 | Lever 24 |
| 184985 | Typewheel, PR 29 | 185986 | Post 8,26 | 186536 | Set of Parts 9 |
| 184986 | Typewheel, PT 29 | 185987 | Roller 8,26 | 186538 | Pulley w/52T Gear 35 |
| 184987 | Typewheel, PW 29 | 185989 | Collar 4 | 186539 | Gear 35 |
| 184988 | Typewheel, PX 29 | 185990 | Platen 4 | 186555 | Timer, Elapsed 36 |
| 184989 | Typewheel, PY 29 | 185993 | Arm, Latch 31 | 186556 | Timer Assembly, Elapsed 36 |
| 184990 | Typewheel, PZ 29 | 185994 | Arm w/Hub 31 | | |
| 184991 | Typewheel, RA 29 | 185996 | Spacer 31 | 186557 | Bracket 15 |
| 184993 | Typewheel, RC 29 | 185997 | Plate, Stop 31 | 186575 | Arm 11,12,16 |
| 184994 | Typewheel, RD 29 | 185998 | Plate 31 | 186576 | Arm 16 |
| 184996 | Typewheel, RF 29 | 185999 | Arm, Stop 31 | 186583 | Plate 36 |
| 184998 | Typewheel, RH 29 | 186009 | Insulator 36 | 186584 | Timer Assembly 36 |
| 184999 | Typewheel, RJ 29 | 186010 | Bracket 36 | 186585 | Timer Assembly 36 |
| | | | | 186606 | Set of Parts 4 |

NUMERICAL INDEX (Continued)

| Part Number | Description and Page Number | Part Number | Description and Page Number | Part Number | Description and Page Number |
|-------------|--|-------------|--|-------------|---|
| 186608 | Lever 25 | 186731 | Ring, Compression 13 | 197464 | Diode 15 |
| 186609 | Lever 25 | 186734 | Insulator 17 | 198670 | Screw w/Lockwasher, 6-40 x 5/16 Hex 2,3,4,5,10 |
| 186610 | Lever 25 | 186738 | Insulator 34 | 199440 | Screw, 5-40 x 4/8 Fil 11, 12 |
| 186611 | Lever 25 | 186747 | Bracket 30 | 315756 | Plate, Identification 35 |
| 186639 | Sleeve, 7/16 ID x 1-1/2" Lg Insulating 37 | 186748 | Spacer 30 | 320246 | Fuse, SL-BL 1.8 Amp 37 |
| 186642 | Knob 18 | 186778 | Screw, 6-40 x 7/32 Hex 18 | 320410 | Terminal, Spade Type 36 |
| 186664 | Post 33 | 186796 | Lever, Function 24 | 320411 | Terminal, Spade Type 33 |
| 186665 | Set of Parts 2 | 192007 | Terminal, Tab Type 37 | 320423 | Plate 36 |
| 186669 | Spring 3,18,24,25 | 194956 | Spring 12 | 323094 | Diode 36 |
| 186691 | Insert 34 | 194987 | Screw, 8-32 x 3/8 Hex 5, 16 | 324499 | Terminal 36,37 |
| 186695 | Link 7 | 195614 | Pin, Key 37 | 327323 | Ring, Retaining 16 |
| 186696 | Link w/Stud 7 | 196932 | Sleeve, 7/16 ID x 1-1/4" Lg Insulating 37 | | |
| 186697 | Set of Parts 7 | | | | |

33 CALL CONTROL UNIT (UCC)

PARTS

| FIGURE | CONTENTS | PAGE |
|--------|---|------|
| 1 | Base Plate Components for use with Rotary Dial | 2 |
| 2 | Base Plate Components for use with Touch-Tone or Card Dialing | 3 |
| 3 | Electrical Components for use with Rotary Dial | 4 |
| 4 | Electrical Components for use with Rotary Dial (Continued) | 5 |
| 5 | Electrical Components for use with Touch-Tone or Card Dialing | 6 |
| 6 | Base Plate and Electrical Components for DC Signal Private Line | 7 |
| 7 | Electrical Components for Computer Control Private Line | 8 |
| 8 | Base Plate and Electrical Components for use with Station Controller | 9 |
| 9 | Base Plate and Electrical Components for use with Station Controller (Continued) | 10 |
| 10 | Base Plate and Electrical Components | 11 |
| 11 | Base Plate and Electrical Components (Continued) | 12 |
| 12 | 186627 Set Interface Logic Assembly | 13 |
| 13 | 186630 Modification Kit to Provide Break Detection and Indication | 14 |
| 14 | Alarms and Speaker | 15 |
| 15 | 181815, 182695, 183985, 184012, 186000 and 332709 Selector Magnet Driver Assemblies | 16 |
| 16 | Receive-Only Bracket Components | 17 |
| 17 | 182489, 193487, 186600 and 186601 Dial Modifications (Continued) | 18 |
| 18 | 186602, 186603, 193488 and 195927 Dial Modifications | 19 |
| 19 | 193486, 193489, 195924, 195926 and 327420 Dial Modifications (Continued) | 20 |
| 20 | Key Assemblies | 21 |
| 21 | Power Cords and Jumpers | 22 |
| 22 | Cable Components | 23 |
| 23 | 186670 Modification Kit to Provide Private Line | 24 |
| | Numerical Index | 25 |

**Denotes a painted part.
HF-Light Olive Gray Smooth Vinyl

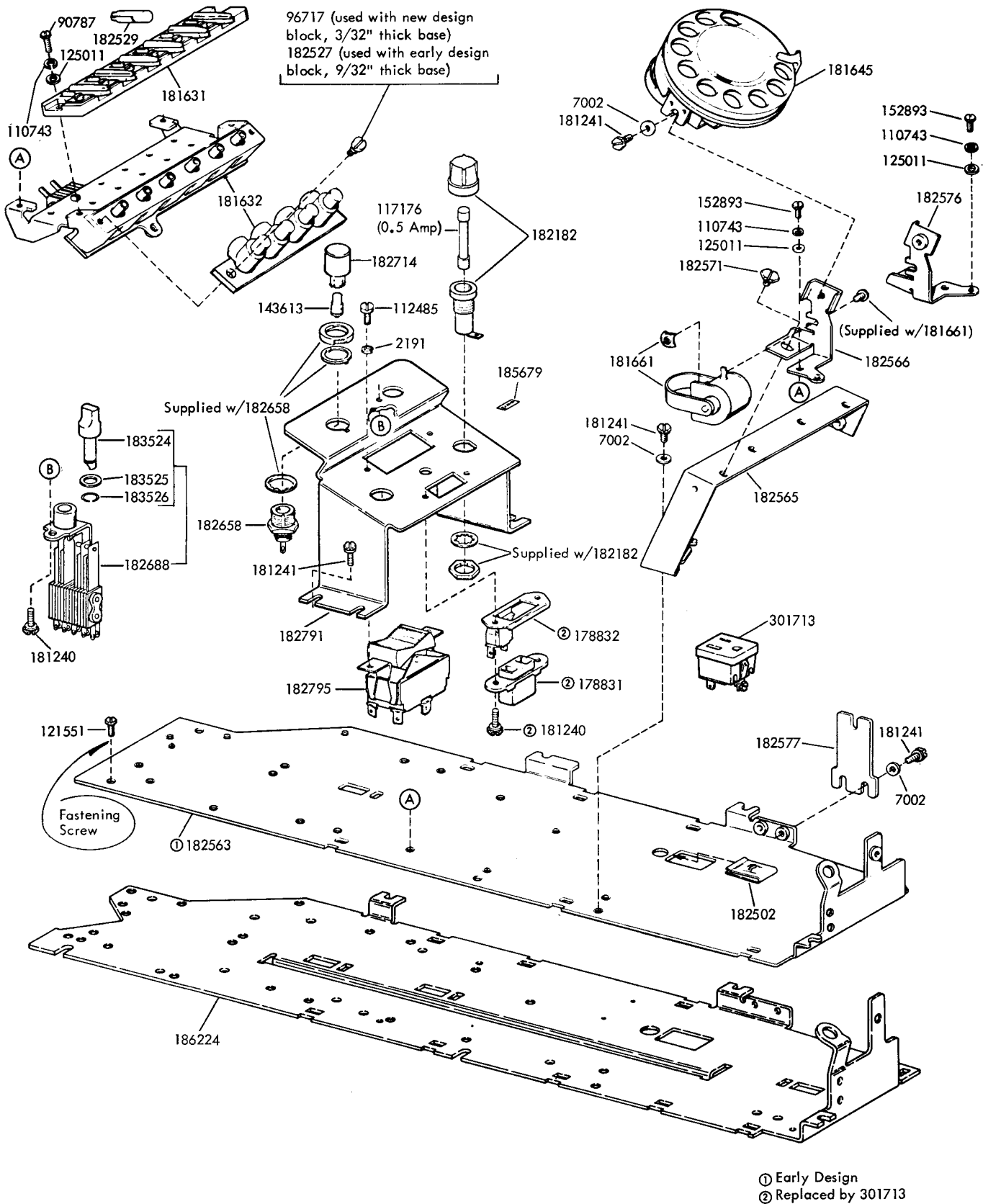


FIGURE 1. BASE PLATE COMPONENTS FOR USE WITH ROTARY DIAL

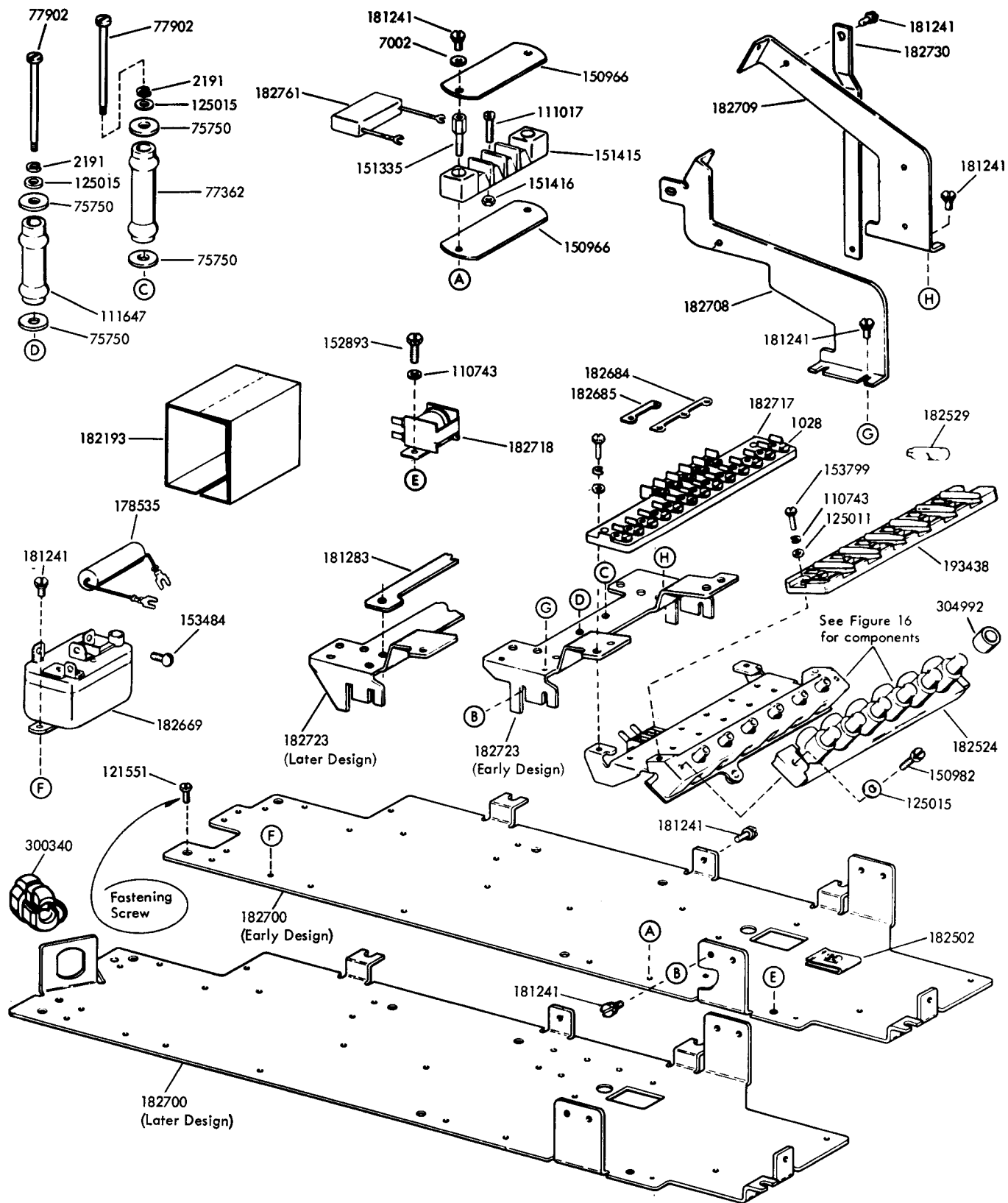


FIGURE 2. BASE PLATE COMPONENTS FOR USE WITH TOUCH-TONE OR CARD DIALING

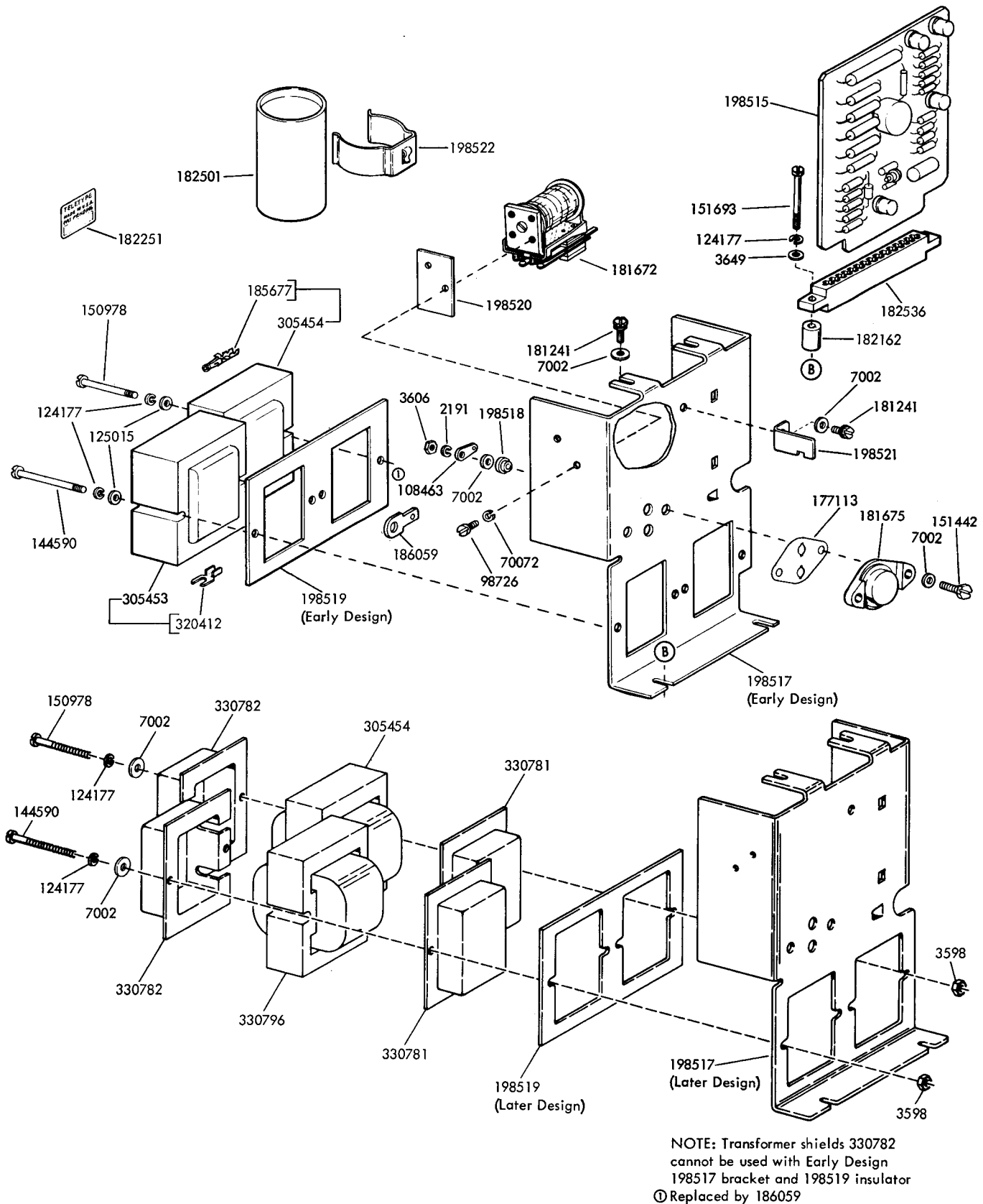


FIGURE 3. ELECTRICAL COMPONENTS FOR USE WITH ROTARY DIAL

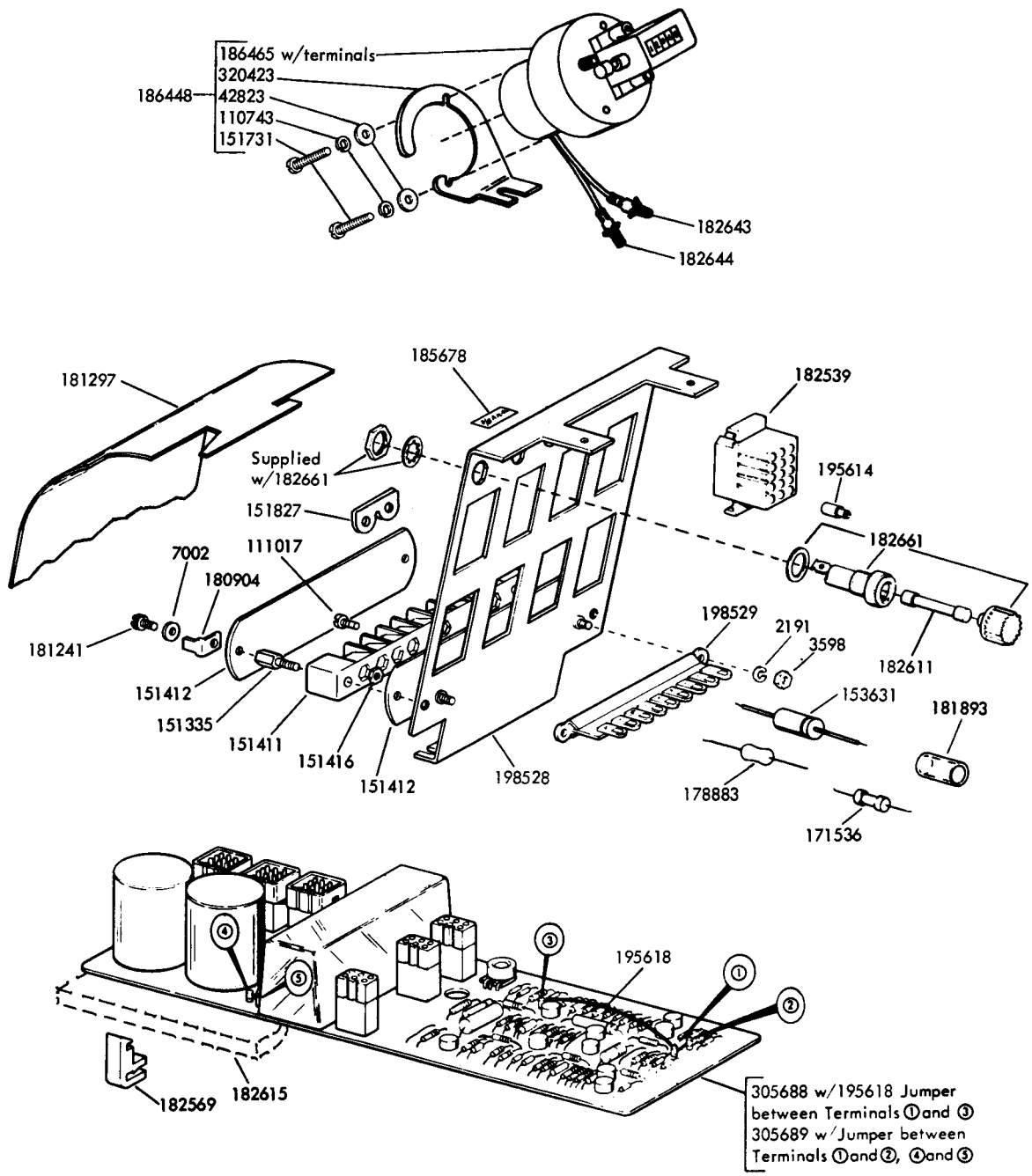


FIGURE 4. ELECTRICAL COMPONENTS FOR USE WITH ROTARY DIAL (Continued)

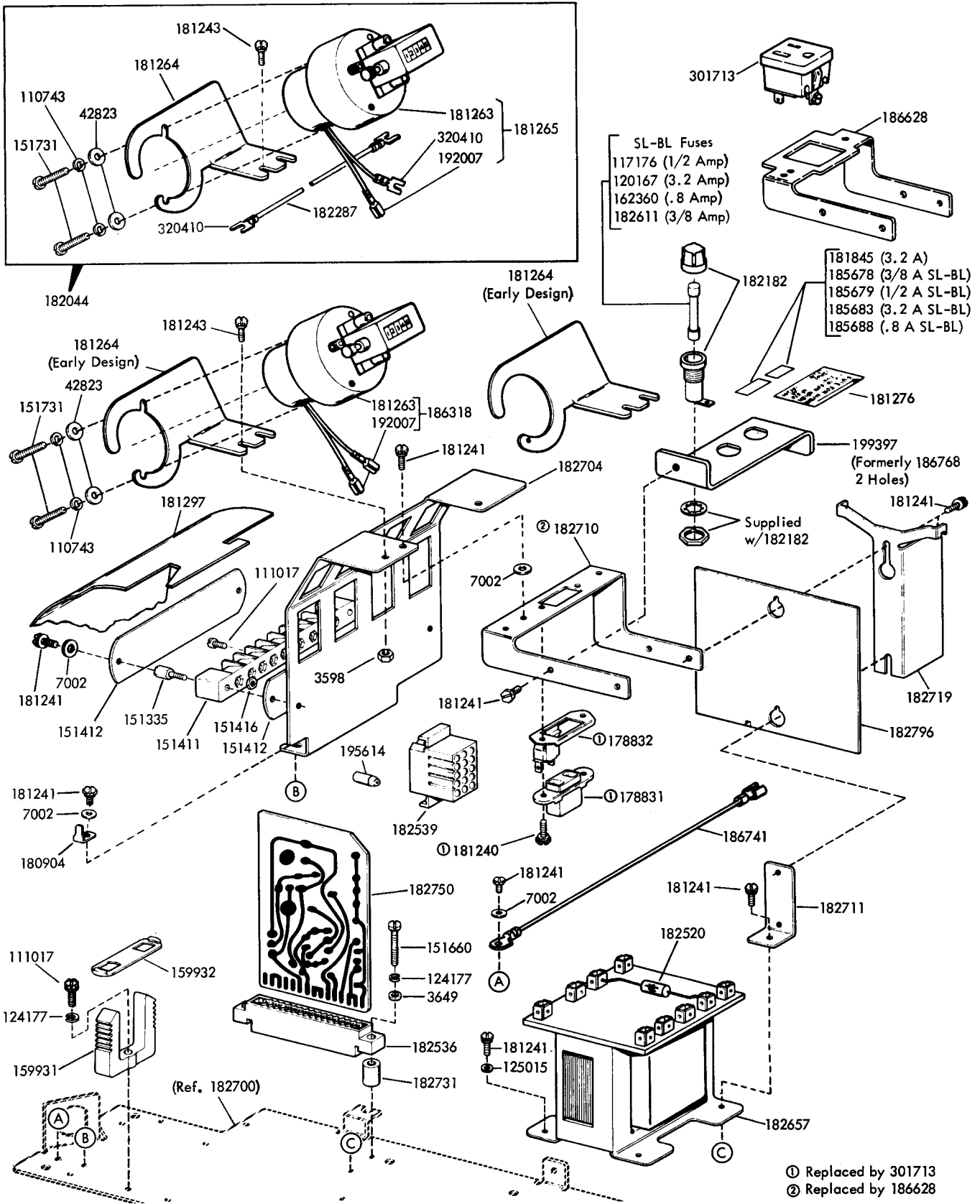


FIGURE 5. ELECTRICAL COMPONENTS FOR USE WITH TOUCH-TONE OR CARD DIALING

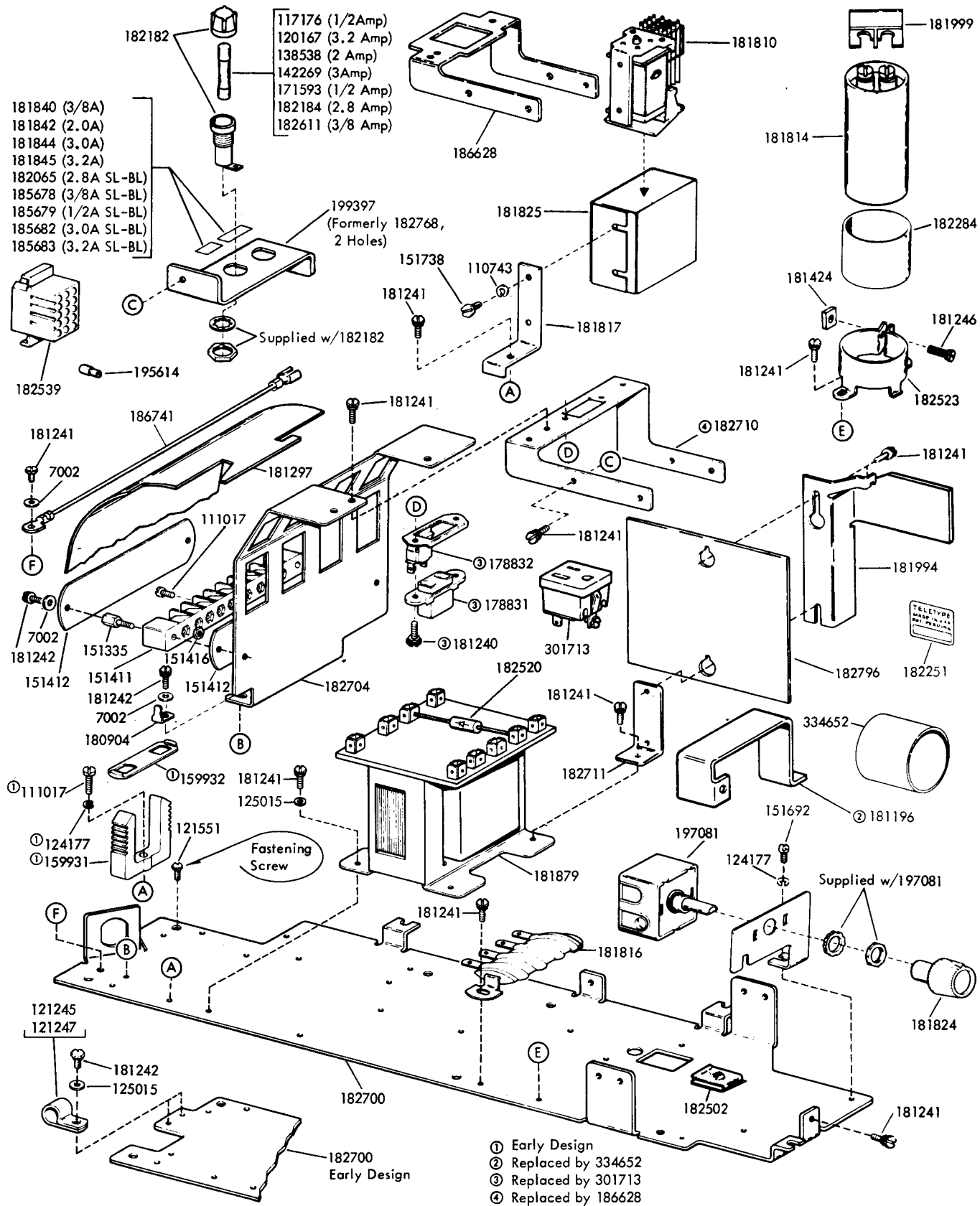


FIGURE 6. BASE PLATE AND ELECTRICAL COMPONENTS FOR DC SIGNAL PRIVATE LINE

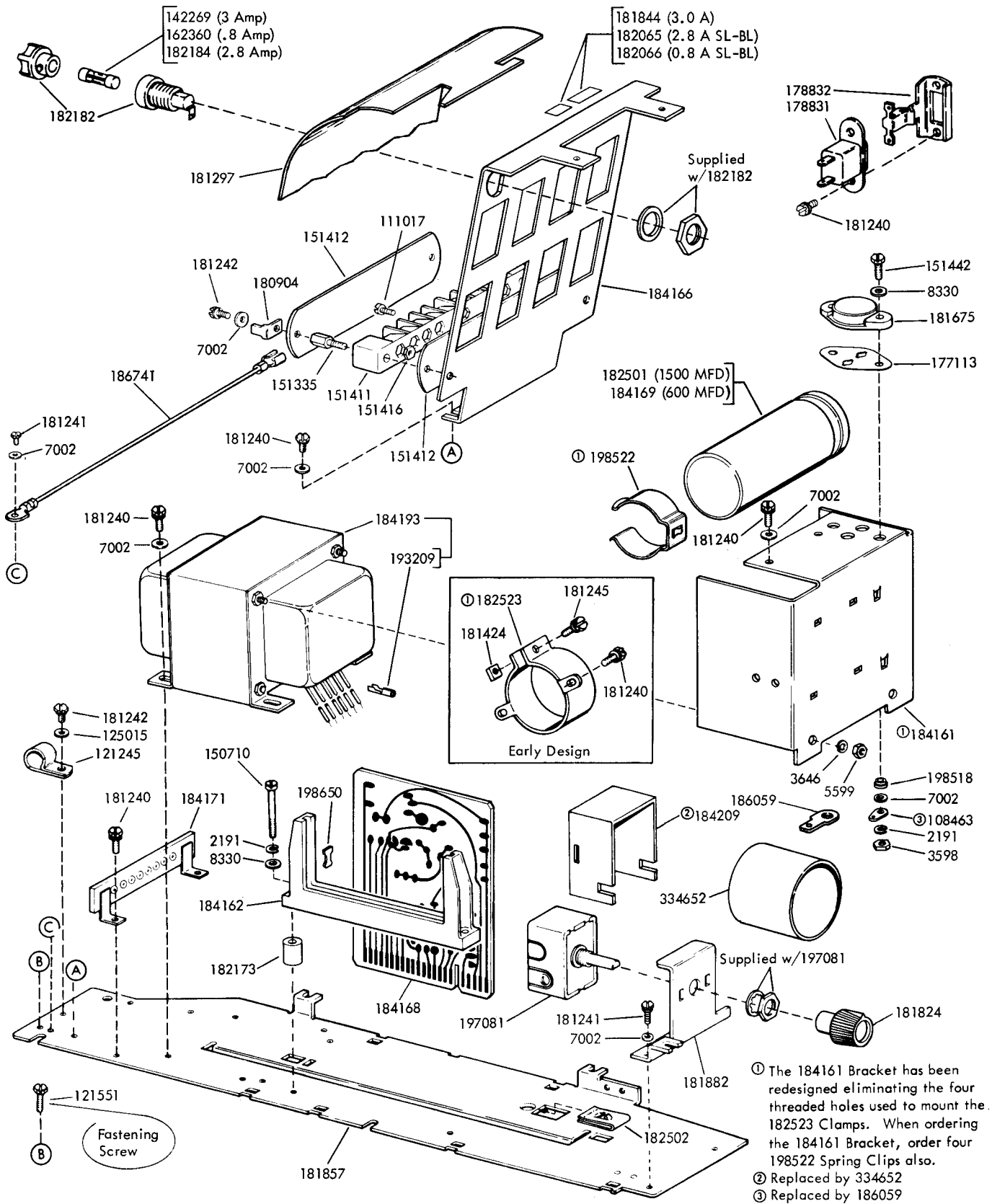


FIGURE 7. ELECTRICAL COMPONENTS FOR COMPUTER CONTROL PRIVATE LINE

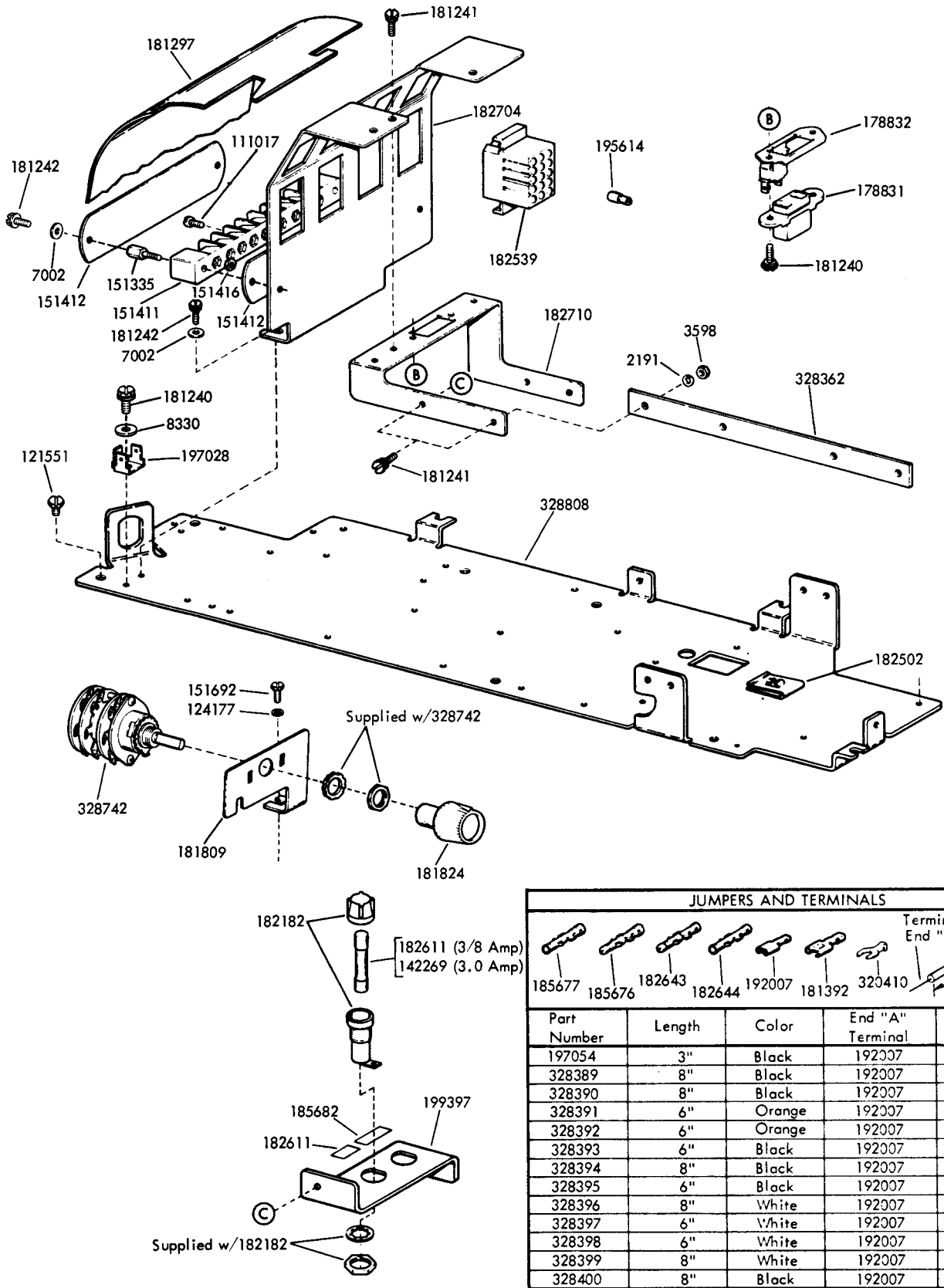


FIGURE 8. BASE PLATE AND ELECTRICAL COMPONENTS FOR USE WITH STATION CONTROLLERS

| JUMPERS AND TERMINALS | | | | |
|-----------------------|--------|--------|------------------|------------------|
| Part Number | Length | Color | End "A" Terminal | End "B" Terminal |
| 185677 | | | | |
| 185676 | | | | |
| 182643 | | | | |
| 182644 | | | | |
| 192007 | | | | |
| 181392 | | | | |
| 320410 | | | | |
| 197054 | 3" | Black | 192007 | 192007 |
| 328389 | 8" | Black | 192007 | 185676 |
| 328390 | 8" | Black | 192007 | 192007 |
| 328391 | 6" | Orange | 192007 | 182643 |
| 328392 | 6" | Orange | 192007 | 182644 |
| 328393 | 6" | Black | 192007 | 181392 |
| 328394 | 8" | Black | 192007 | 320410 |
| 328395 | 6" | Black | 192007 | |
| 328396 | 8" | White | 192007 | 320410 |
| 328397 | 6" | White | 192007 | |
| 328398 | 6" | White | 192007 | 185677 |
| 328399 | 8" | White | 192007 | 185676 |
| 328400 | 8" | Black | 192007 | 185677 |

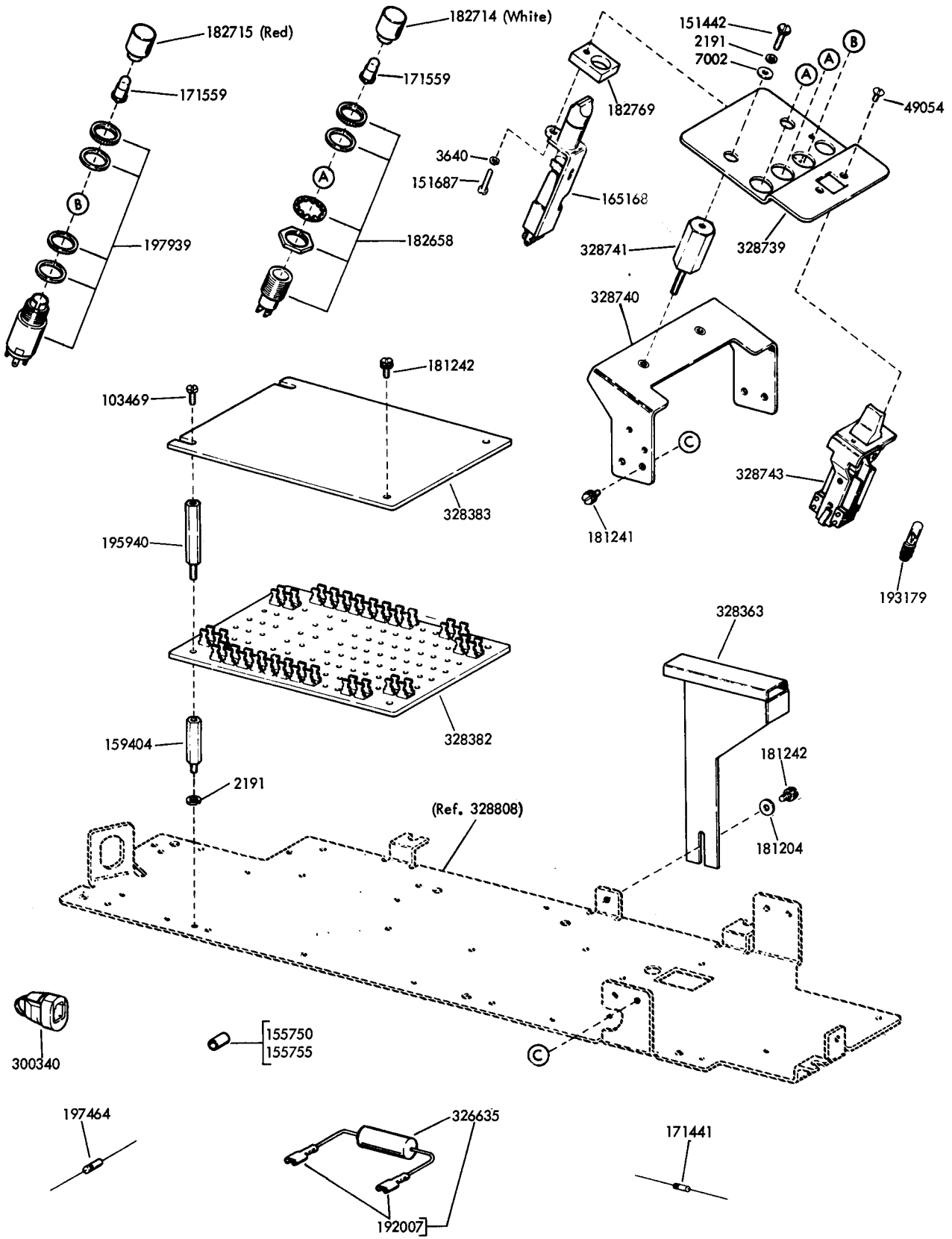


FIGURE 9. BASE PLATE AND ELECTRICAL COMPONENTS FOR USE WITH STATION CONTROLLER (Continued)

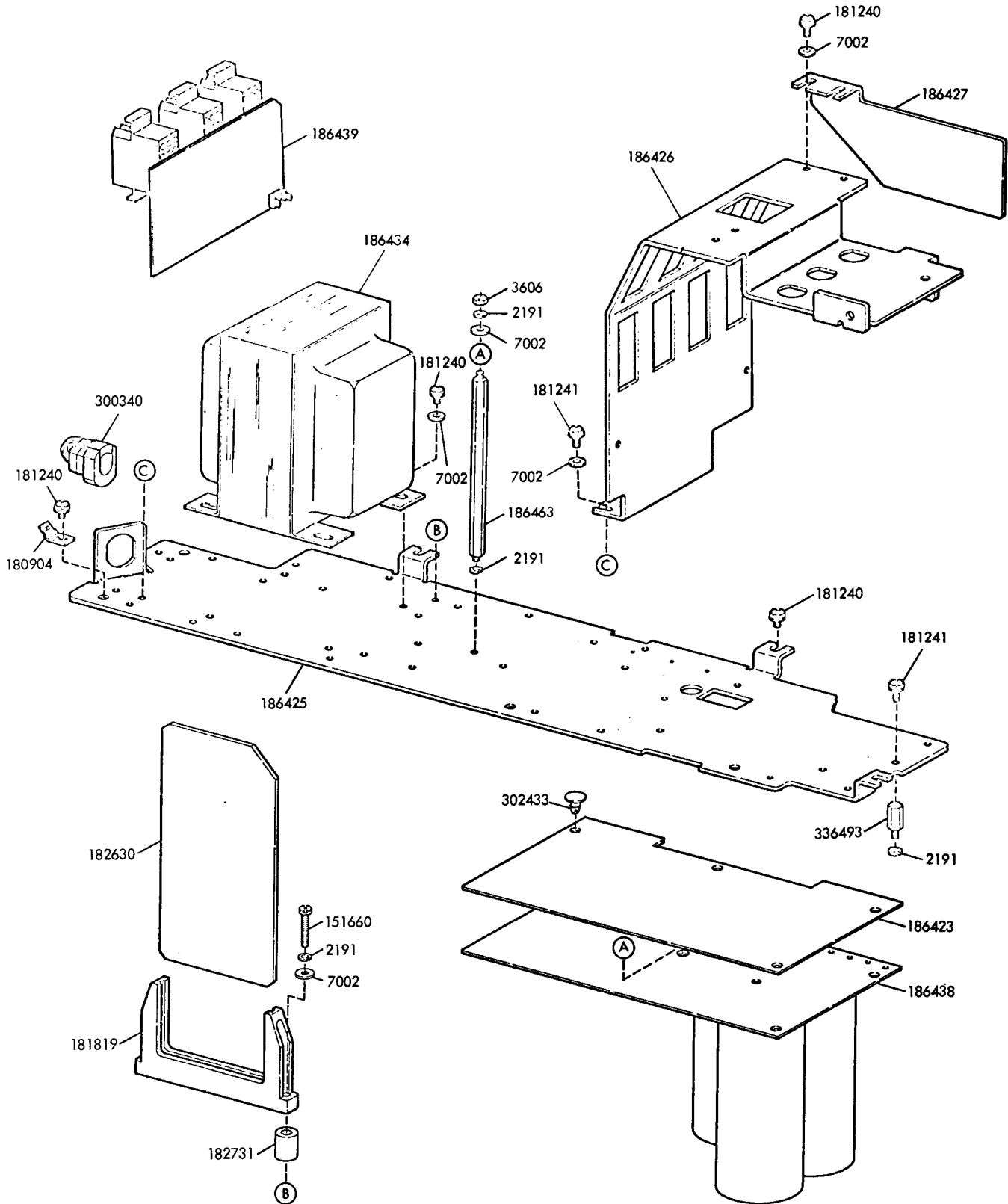


FIGURE 10. BASE PLATE AND ELECTRICAL COMPONENTS

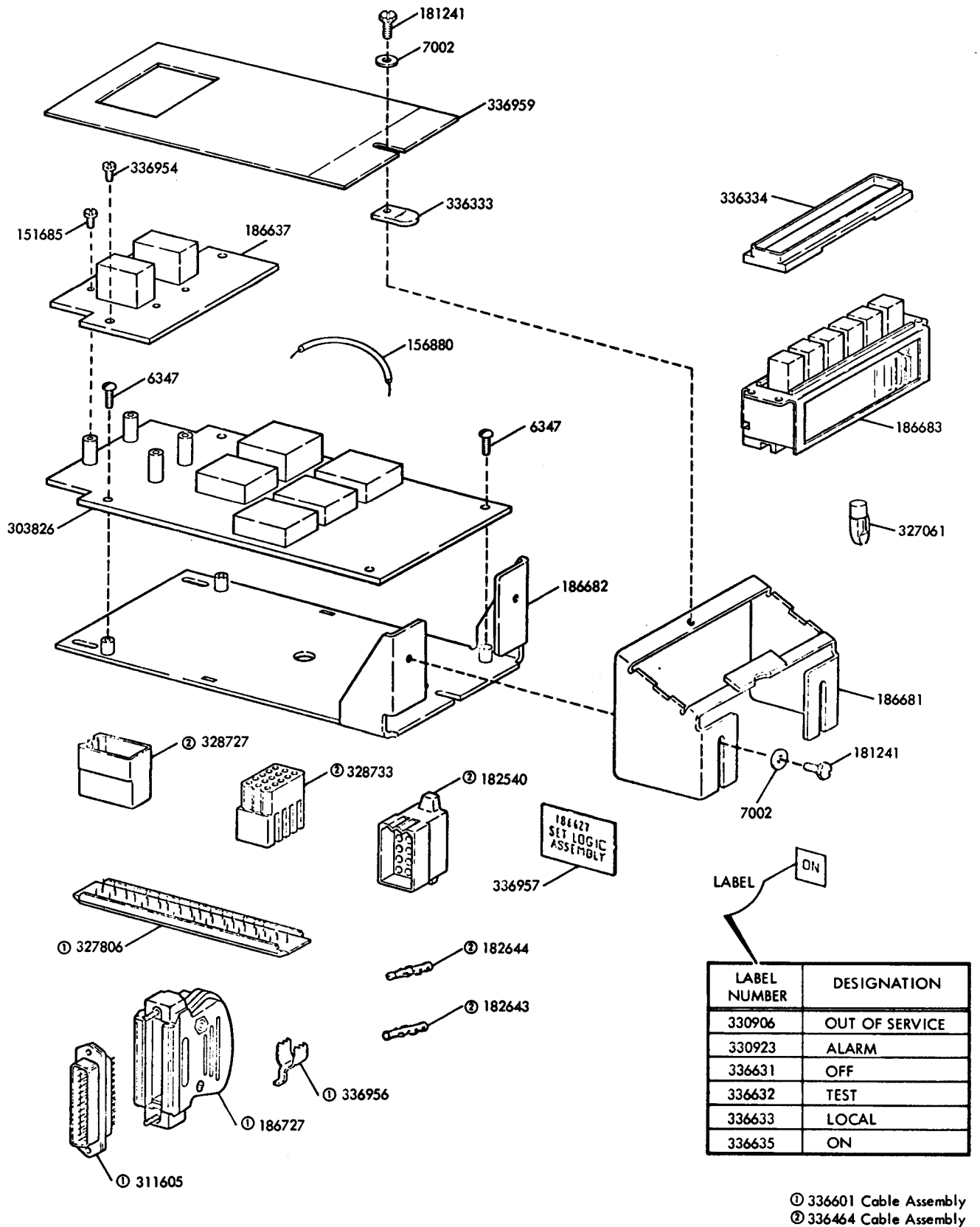
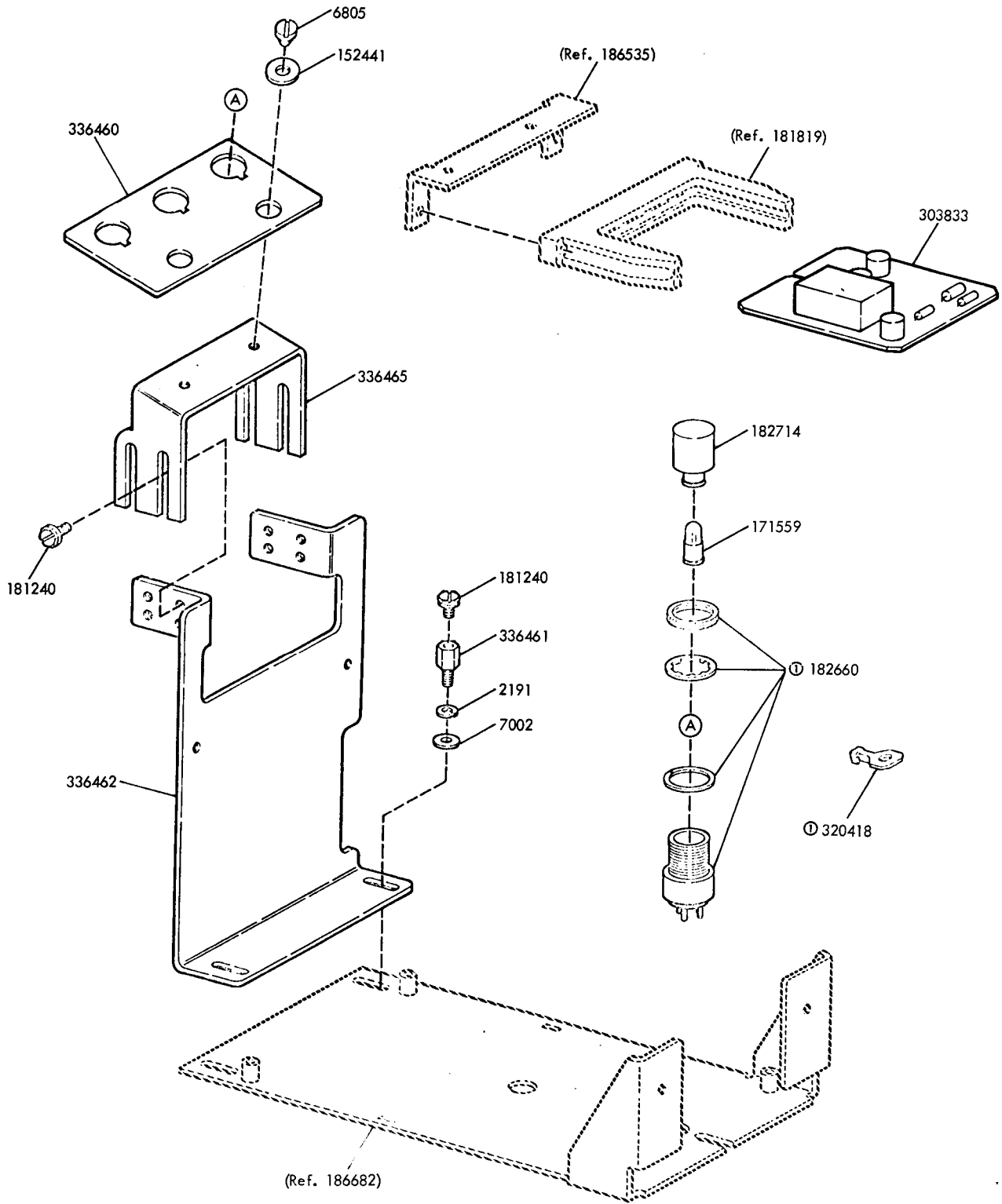


FIGURE 12. 186627 SET INTERFACE LOGIC ASSEMBLY



Ⓢ 336471 Cable Assembly

FIGURE 13 186630 MODIFICATION KIT TO PROVIDE BREAK DETECTION AND INDICATION

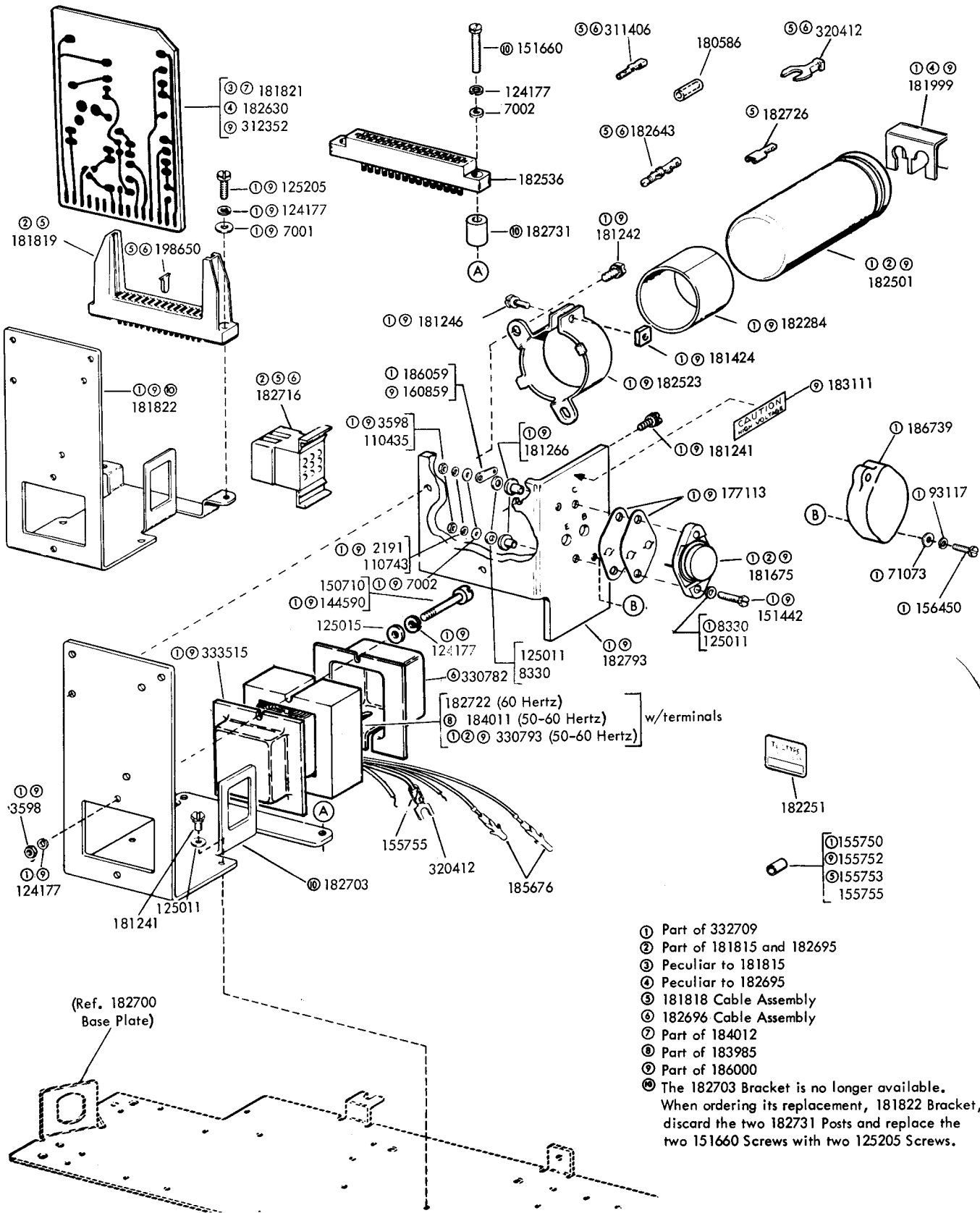
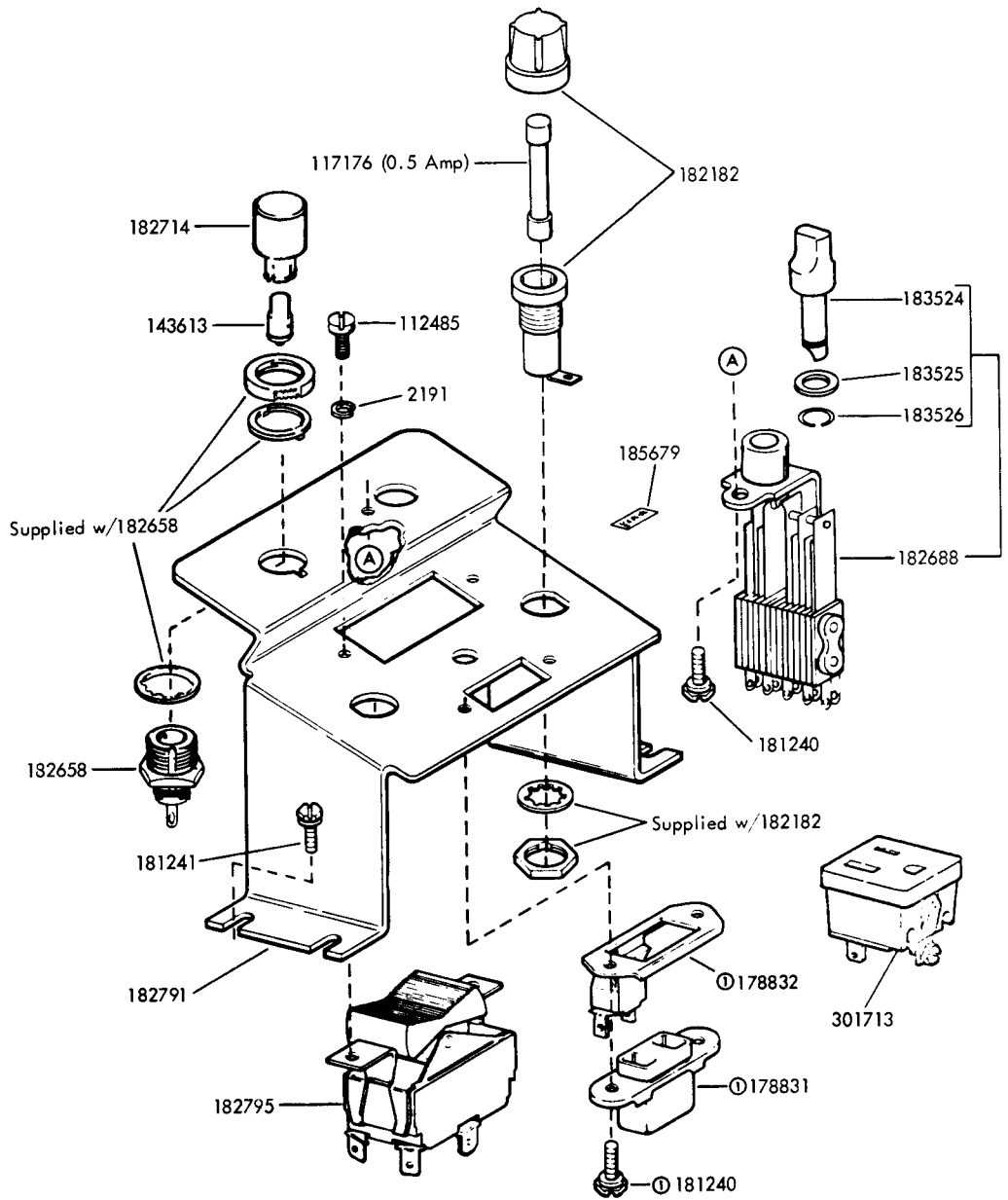


FIGURE 15. 181815, 182695, 183985, 184012, 186000 and 332709 SELECTOR MAGNET DRIVER ASSEMBLIES



ⓐ Replaced by 301713

FIGURE 16. RECEIVE-ONLY BRACKET COMPONENTS

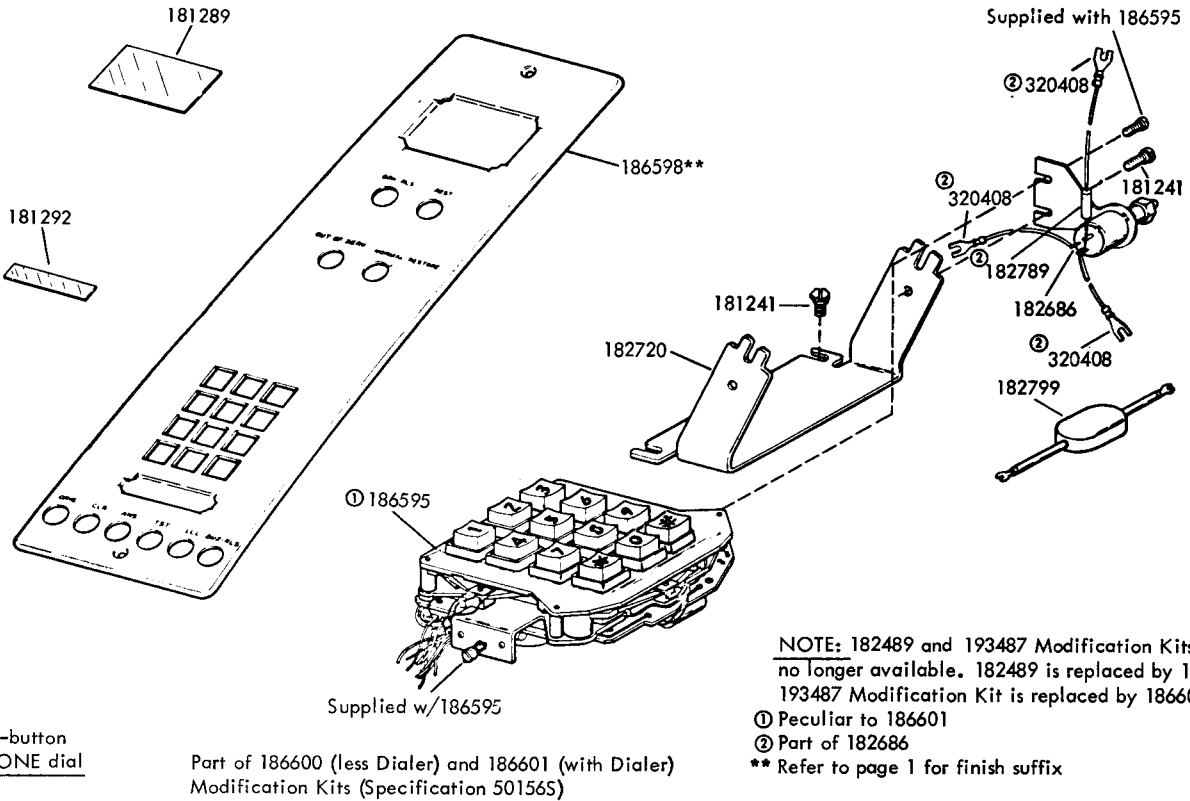
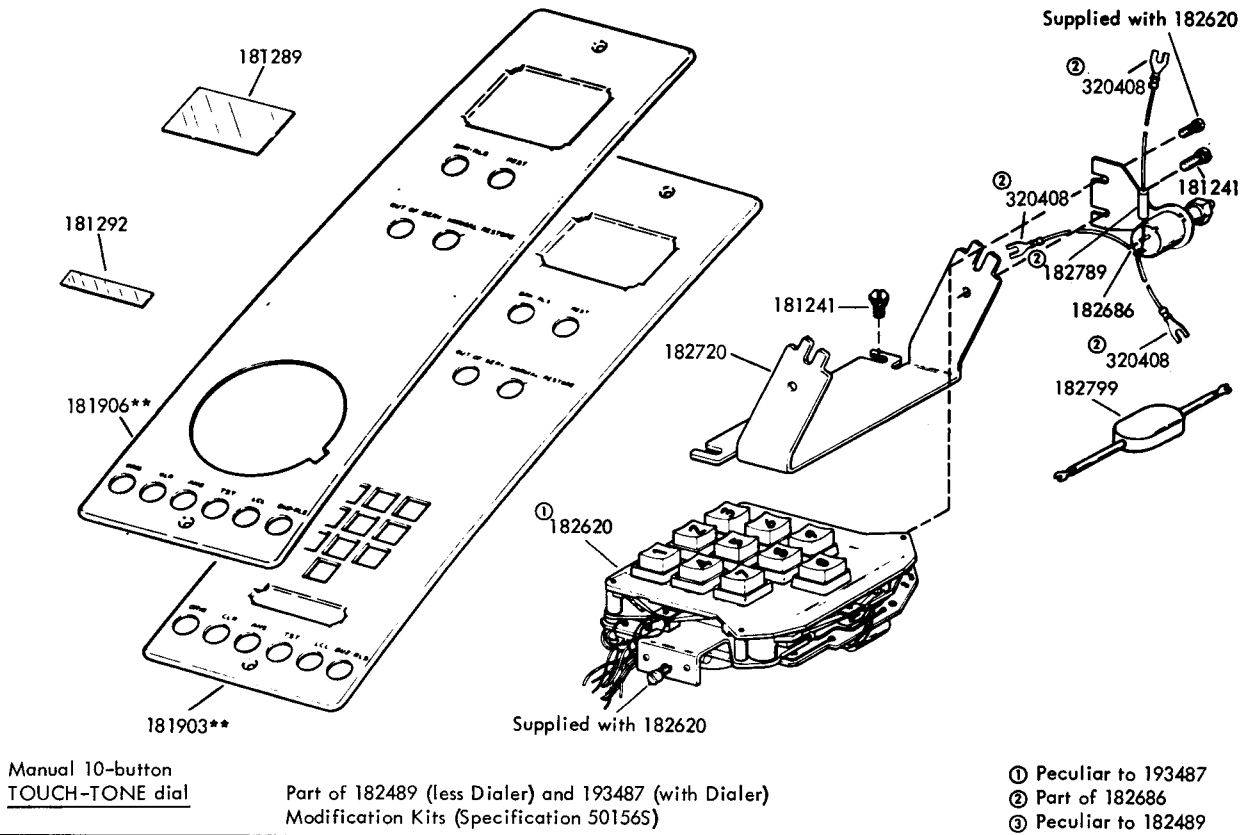
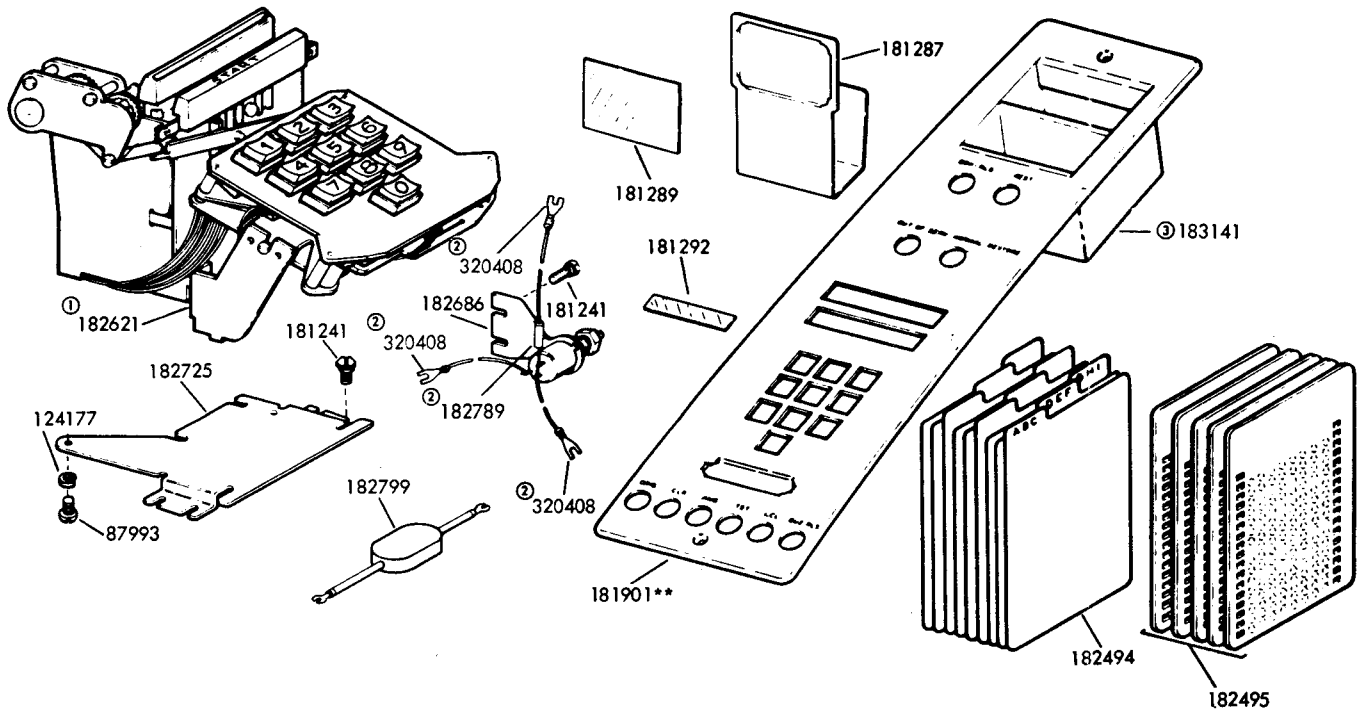


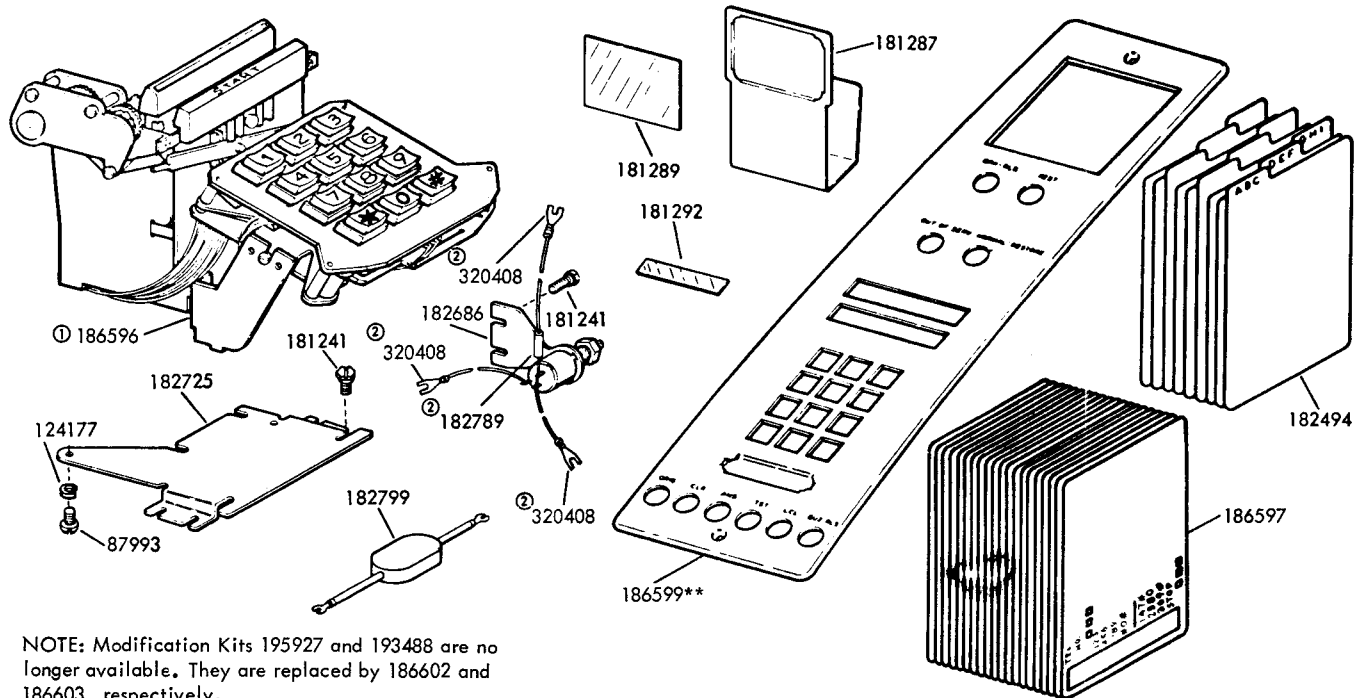
FIGURE 17. 182489, 193487, 186600 and 186601 DIAL MODIFICATIONS



Manual 10-button
TOUCH-TONE and Card Dial

Part of 195927 (less Dialer) and 193488 (with Dialer)
Modification Kits (Specification 501405)

- ① Peculiar to 193488
- ② Part of 182686
- ③ Supplied as part of faceplate or can be ordered separately



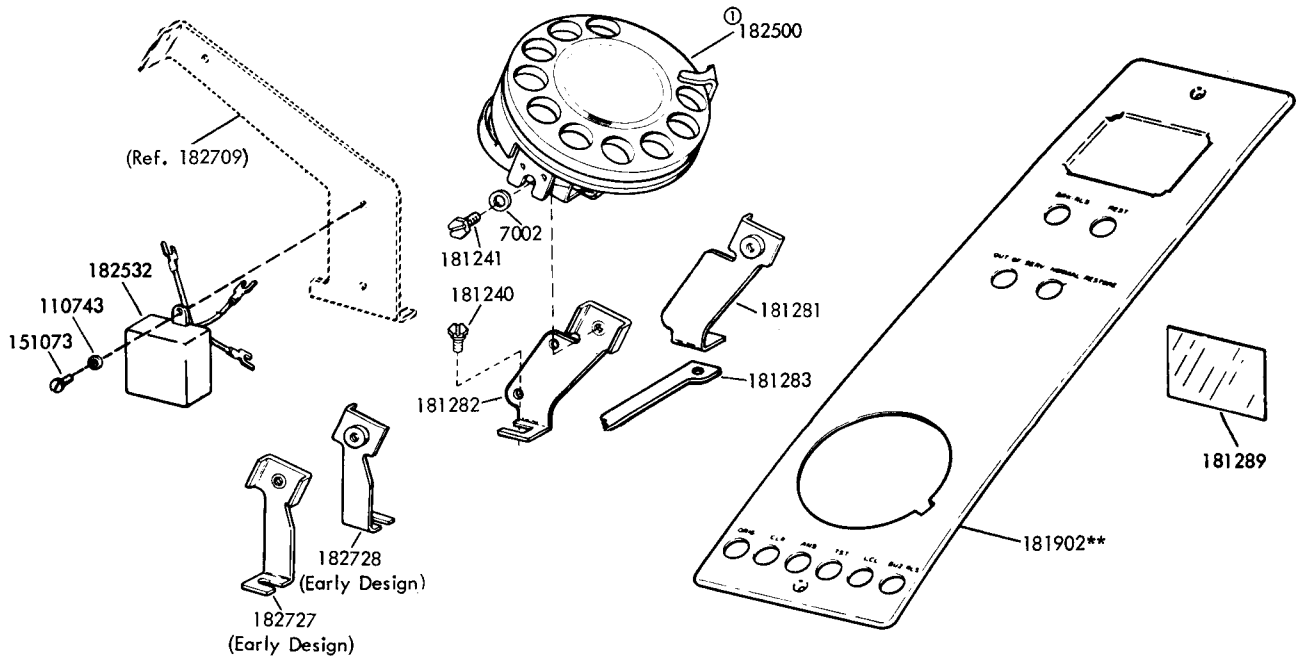
NOTE: Modification Kits 195927 and 193488 are no longer available. They are replaced by 186602 and 186603, respectively.

Manual 12-button
TOUCH-TONE and Card Dial

Part of 186602 (less Dialer) and 186603 (with Dialer)
Modification Kits (Specification 501405)

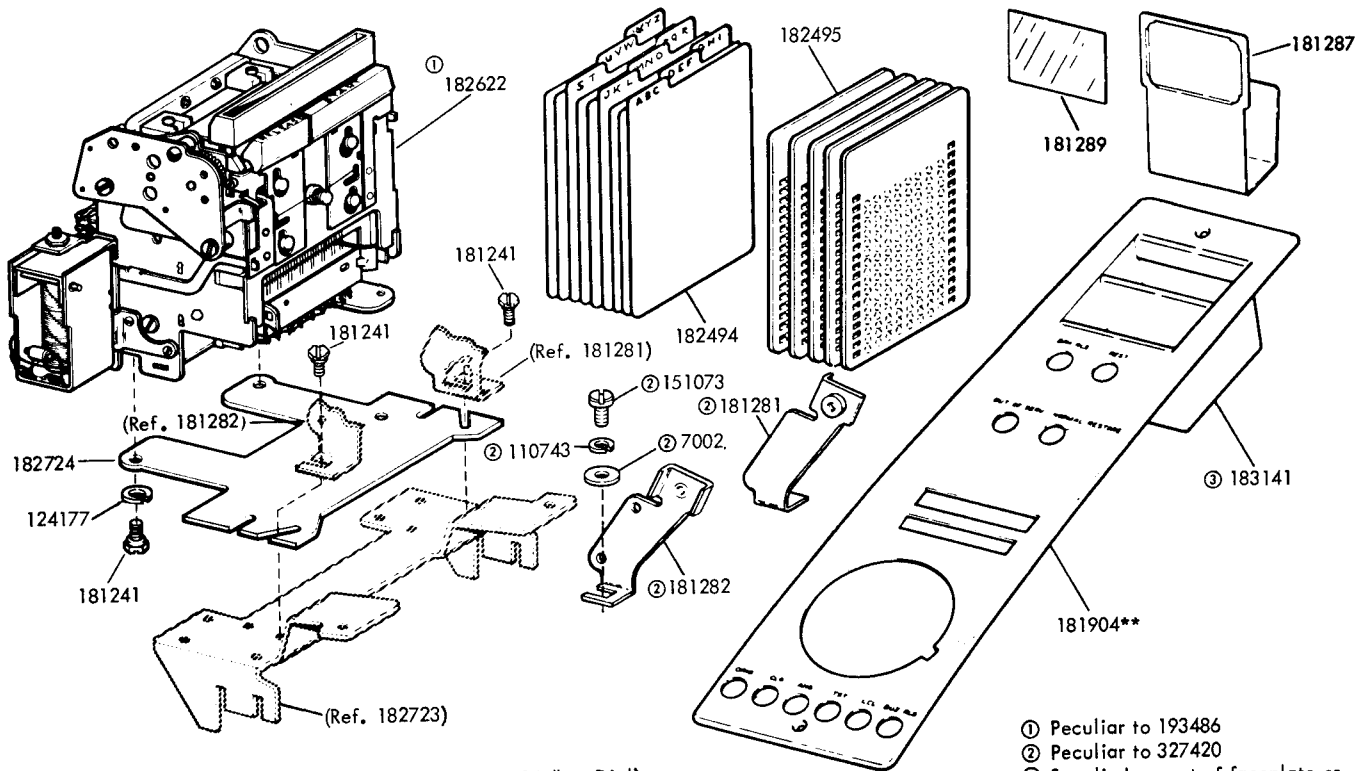
- ① Peculiar to 186603
- ② Part of 182686
- **Refer to page 1 for finish suffix

FIGURE 18. 186602, 186603, 193488 and 195927 DIAL MODIFICATIONS (Continued)



Rotary Dial Part of 193489 (with Dialer) and 195926 (less Dialer) Modification Kits (Specification 501565)

① Peculiar to 193489



DC Card Dial Part of 193486 (with Dial) and 195924 (less Dial) Modification Kits (Specification 501645) and 327420 (less Dial) Modification Kit (Specification 501565)

- ① Peculiar to 193486
- ② Peculiar to 327420
- ③ Supplied as part of faceplate or can be ordered separately
- ** Refer to page 1 for finish suffix

FIGURE 19. 193486, 193489, 195924, 195926 and 327420 DIAL MODIFICATIONS (Continued)

| KEY ASSEMBLY PART LOCATION TABLE | | | | | | | | |
|----------------------------------|----------------|------------------|------------------|--|--|--|--|------------------|
| POSITION | | 182581 | 182582 | | | | | 182589 |
| F | Plunger Switch | | 182559 182562 | | | | | 182559 |
| E | Plunger Switch | 182667 182562 | 182559 182561 | | | | | 182559 182562 |
| D | Plunger Switch | 182667 181638 | 182559 182562 | | | | | 182559 182562 |
| C | Plunger Switch | 182667 | 182559 182562 | | | | | 182559 |
| B | Plunger Switch | 182667 182562 | 182559 182562 | | | | | 182559 |
| A | Plunger Switch | | 182559 182562 | | | | | 182559 182562 |
| Plunger Spring | | | | | | | | |
| | | 182554 | 182554 | | | | | 182554 |
| | | | 182556 | | | | | 182556 |
| | | | 182666 | | | | | 182666 |
| | | | 182535 | | | | | 182535 |
| | | 181637 | 182557 | | | | | 182557 |

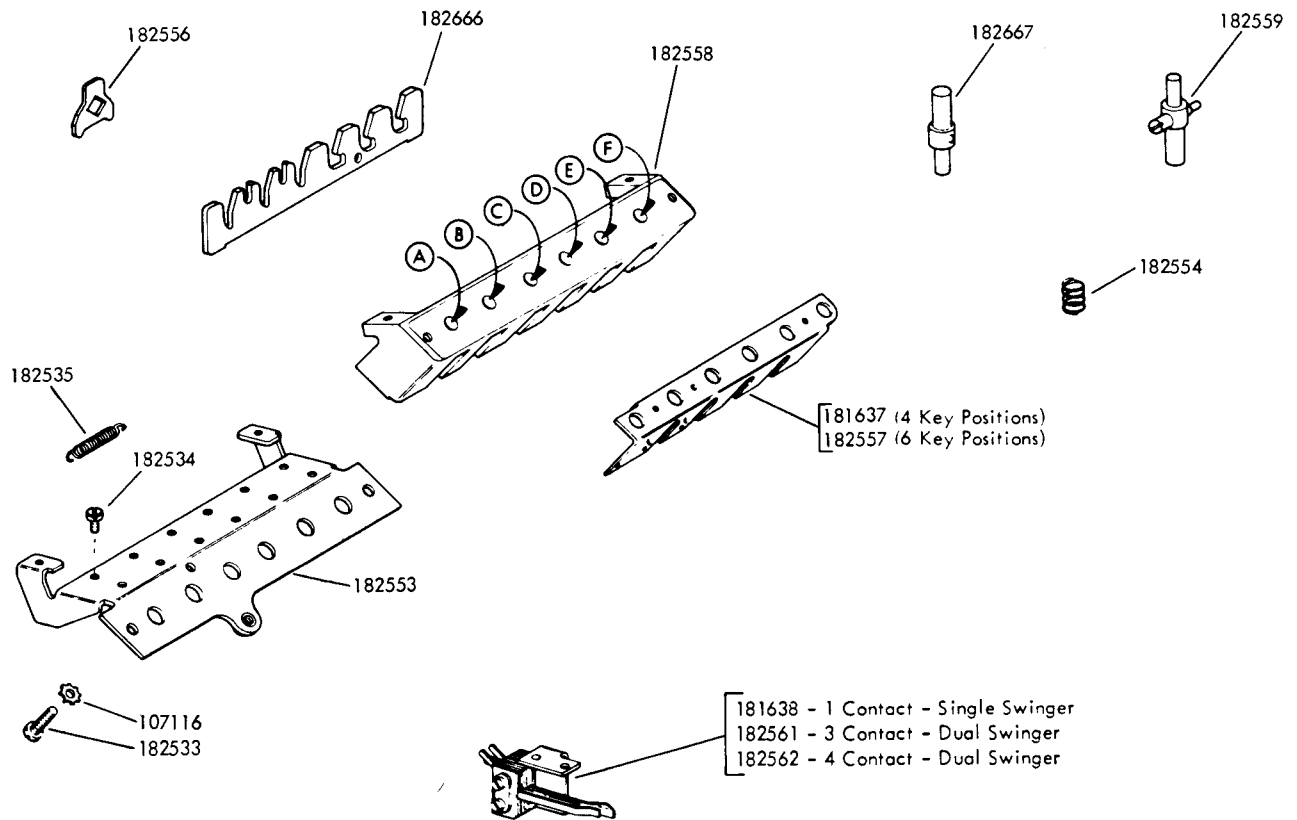


FIGURE 20. KEY ASSEMBLIES

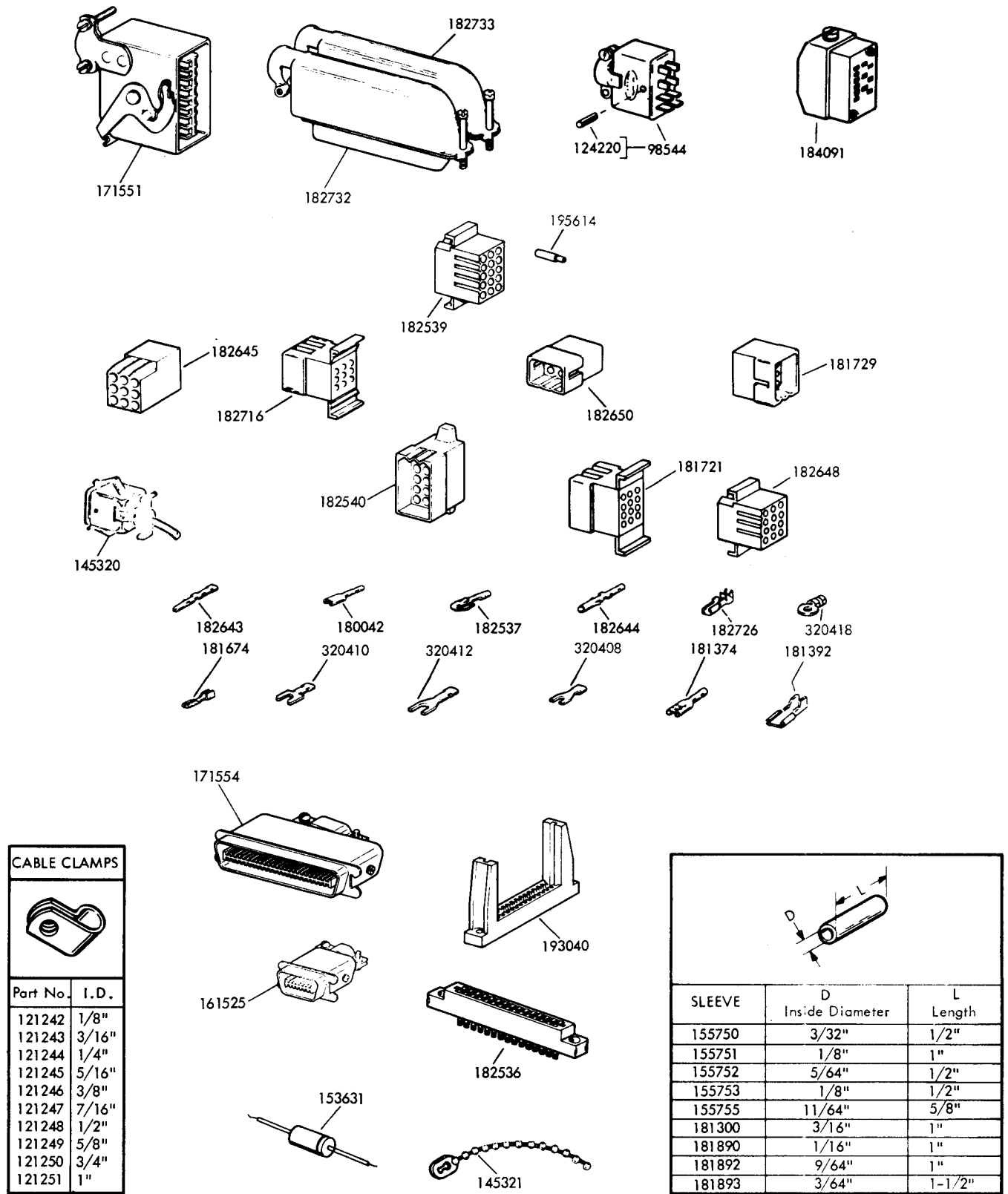


FIGURE 22. CABLE COMPONENTS

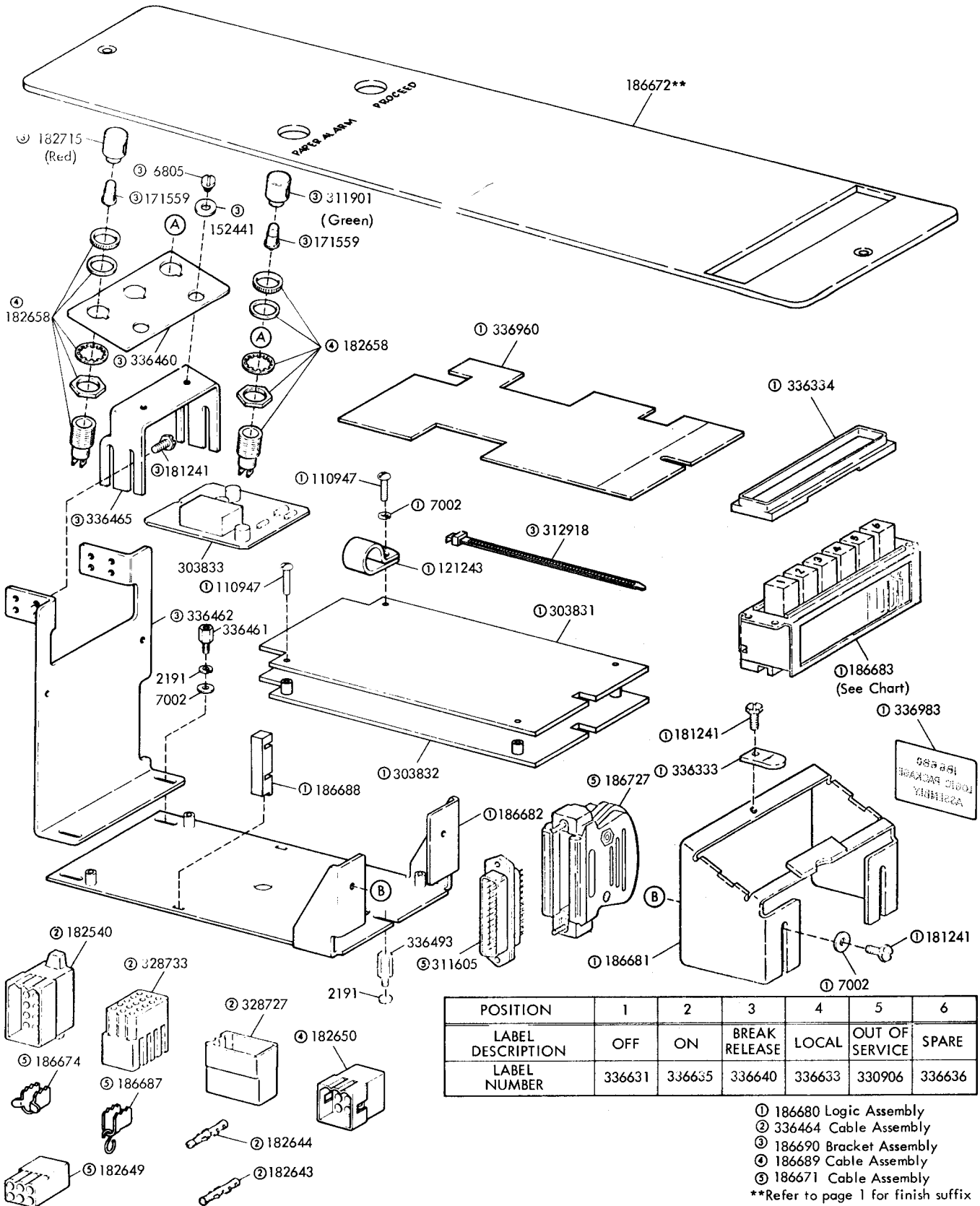


FIGURE 23. 186670 MODIFICATION KIT TO PROVIDE PRIVATE LINE

NUMERICAL INDEX

| Part Number | Description and Page Number | Part Number | Description and Page Number | Part Number | Description and Page Number |
|-------------|---|-------------|----------------------------------|-------------|--|
| 1010 | Screw, 6-40 Shoulder 15 | 113442 | Jumper, 2-1/2" Brown 22 | 151415 | Block, Terminal 3 |
| 1028 | Screw, 4-40 x 1/4 Fil 3 | 115594 | Nut, Speed 15 | 151416 | Nut, 6-40 Hex 3,5,6,7,8,9,12 |
| 1064 | Screw, 6-32 x 1/2 Rd 12 | 117176 | Fuse, SL-BL 0.5 Amp 2,6,7,17 | 151442 | Screw, 6-40 x 1/2 Hex 4,8,10,12,16 |
| 1207 | Screw, 4-36 x 5/16 Flat 15 | 120167 | Fuse, SL-BL 3.2 Amp 6,7 | 151618 | Screw, 6-40 x 7/16 Fil 12 |
| 2191 | Lockwasher 2,3,4,5,8,9,10,11,12,14,16,17,24 | 121242 | Clamp, 1/8 ID Cable 23 | 151660 | Screw, 6-40 x 7/8 Fil 6,11,16 |
| 3598 | Nut, 6-40 Hex 4,5,6,8,9,12,16 | 121243 | Clamp, 3/16 ID Cable 23,24 | 151685 | Screw, 4-40 x 5/16 Fil 13 |
| 3606 | Nut, 6-40 Hex 4,11 | 121244 | Clamp, 1/4 ID Cable 23 | 151687 | Screw, 4-40 x 7/16 Fil 10 |
| 3640 | Lockwasher 10,15 | 121245 | Clamp, 5/16 ID Cable 7,8,23 | 151692 | Screw, 6-40 x 3/16 Fil 7,9 |
| 3646 | Lockwasher 8 | 121246 | Clamp, 3/8 ID Cable 23 | 151693 | Screw, 6-40 x 9/16 Fil 4 |
| 3649 | Washer, Flat 4,6 | 121247 | Clamp, 7/16 ID Cable 7,23 | 151731 | Screw, 4-40 x 7/8 Fil 5,6,12 |
| 5599 | Nut, 8-32 Hex 8 | 121248 | Clamp, 1/2 ID Cable 23 | 151734 | Screw, 4-40 x 3/8 Hex 15 |
| 6347 | Screw, 6-32 x 3/8 Rd 13 | 121249 | Clamp, 5/8 ID Cable 23 | 151738 | Screw, Spl. 7 |
| 6805 | Screw, 6-40 Shoulder 14,15,24 | 121250 | Clamp, 3/4 ID Cable 23 | 151818 | Jumper, 4-1/4" Black 22 |
| 7001 | Washer, Flat 16 | 121251 | Clamp, 1 ID Cable 23 | 151819 | Jumper, 3" Black 22 |
| 7002 | Washer, Flat 2 to 13,14,16,20,24 | 121551 | Screw, 8-32 x 1/4 Hex 2,3,7,8,9 | 151827 | Strap, Terminal 5,12 |
| 8330 | Washer, Flat 8,9,12,16 | 124177 | Lockwasher, 4,6,7,9,16,19,20 | 152441 | Washer, Flat 14,15,24 |
| 42823 | Washer, Flat 5,6,12 | 124220 | Pin, Drive 23 | 152634 | Washer, Flat 15 |
| 49054 | Screw, 2-56 x 3/16 Flat 10 | 125011 | Washer, Flat 2,3,15,16 | 152893 | Screw, 4-40 x 1/4 Hex 2,3 |
| 70072 | Lockwasher 4 | 125015 | Washer, Flat 3,4,6,7,8,16 | 153484 | Screw, 6-32 Spl 3 |
| 71073 | Washer, Flat 16 | 125205 | Screw, 6-40 x 7/16 Fil 16 | 153631 | Network, Spark Suppression 5,12,22,23 |
| 75750 | Washer, Insulating 3 | 138538 | Fuse, SL-BL 2 Amp 7 | 153799 | Screw, 4-40 x 21/64 Hex 3 |
| 77362 | Resistor, 350 Ohm 3 | 142269 | Fuse, SL-BL 3 Amp 7,8,9 | 154173 | Plate 15 |
| 77902 | Screw, 6-40 x 2-3/8 Rd 3 | 143613 | Lamp, 14V Incandescent 2,15,17 | 155750 | Sleeve, 3/32 ID x 1/2" Lg Insulating 10,16,23 |
| 87993 | Screw, 6-40 x 5/32 Fil 19 | 144590 | Screw, 6-40 x 1-3/8 Fil 4,16 | 155751 | Sleeve, 1/8 ID x 1" Lg Insulating 23 |
| 90787 | Screw, 4-40 x 3/8 Hex 2 | 145046 | Connector, 3 Pt Plug 22 | 155752 | Sleeve, 5/64 ID x 1/2" Lg Insulating 16,23 |
| 91742 | Locknut 22 | 145047 | Connector, 3 Pt Receptacle 22 | 155753 | Sleeve, 1/8 ID x 1/2" Lg Insulating 16,23 |
| 91943 | Jumper, 2-1/4" Black 22 | 145320 | Connector, 4 Pt Receptacle 23 | 155755 | Sleeve, 11/64 ID x 5/8" Lg Insulating 10,16,23 |
| 92260 | Lockwasher 12 | 145321 | Tie, Cable 23 | 156450 | Screw, 2-56 x 1/2 Fil 16 |
| 93117 | Lockwasher 16 | 150710 | Screw, 6-40 x 1-1/4 Fil 8,16 | 156880 | Jumper, 2-3/8" Black 13 |
| 96717 | Screw, 4-40 Shoulder 2 | 150966 | Insulator, Terminal 3 | 159404 | Post 10 |
| 98544 | Connector, 8Pt Plug 23 | 150978 | Screw, 6-40 x 1-1/8 Fil 4 | 159931 | Clamp 6,7 |
| 98726 | Screw, 3-48 x 1/4 Fil 4 | 150982 | Screw, 4-40 x 7/16 Fil 3 | 159932 | Keeper 6,7 |
| 103092 | Connector, Cord 22 | 151073 | Screw, 4-40 x 5/32 Fil 20 | 160859 | Terminal 16 |
| 103469 | Screw, 4-40 Spl 10 | 151152 | Screw, 4-40 x 3/16 Hex 15 | 161525 | Connector, 14 Pt Plug 23 |
| 107116 | Lockwasher 21 | 151335 | Stud 3,5,6,7,8,9,12 | 162360 | Fuse, SL-BL .8 Amp 6,8 |
| 108463 | Terminal 4,8 | 151411 | Block, Terminal 5,6,7,8,9,12 | 165168 | Key 10 |
| 110435 | Nut, 4-40 Hex 16 | 151412 | Insulator, Terminal 5,6,7,8,9,12 | 171441 | Resistor, 560 Ohm 10 |
| 110743 | Lockwasher 2,3,5,6,7,12,15,16,20 | | | 171536 | Resistor, 2,250 Ohm 5 |
| 110947 | Screw, 6-32 x 13/16 Rd 24 | | | 171551 | Connector, 16 Pt Plug 23 |
| 111017 | Screw, 6-40 x 5/16 Fil 3,5,6,7,8,9,12 | | | | |
| 111647 | Resistor, 1,000 Ohm 3 | | | | |
| 112485 | Screw, 6-32 x 1/4 Fil 2,17 | | | | |

NUMERICAL INDEX (Continued)

| Part Number | Description and Page Number | Part Number | Description and Page Number | Part Number | Description and Page Number |
|-------------|--|-------------|--|-------------|--|
| 171554 | Connector, 50 Pt Plug 23 | 180904 | Tab, Terminal 5,6,7,8,11 | 181809 | Bracket, Switch 9 |
| 171559 | Lamp, 28V Incandescent 10,14,24 | 181106 | Plate, Baffle 15 | 181810 | Relay 7 |
| 171593 | Fuse, .5 Amp 7 | 181107 | Bracket 15 | 181814 | Capacitor, 250 MFD 7 |
| 177113 | Insulator 4,8,12,16 | 181196 | Ring, Retaining 7 | 181815 | Driver Assembly, Selector Magnet 1,16 |
| 178306 | Relay, Power 12 | 181204 | Washer, Flat 10 | 181816 | Resistor, 4,200 Ohm 7 |
| 178535 | Suppressor, Spark 3,12 | 181240 | Screw w/Lockwasher, 6-40 x 3/16 Hex 2,6,7,8,9,11, 12,14,17,20 | 181817 | Bracket 7 |
| 178831 | Connector, 2 Pt Recep- tacle 2,6,7,8,9,17 | 181241 | Screw w/Lockwasher, 6-40 x 1/4 Hex 2 to 13,15,16, 17,18,19,20,24 | 181818 | Cable Assembly 16 |
| 178832 | Plate, Adapter 2,6,7,8,9, 17 | 181242 | Screw w/Lockwasher, 6-40 x 5/16 Hex 7,8,9,10,16 | 181819 | Connector, 15 Pt Circuit Card 11,12,14,16 |
| 178883 | Resistor, 1,500 Ohm 5 | 181243 | Screw w/Lockwasher, 6-40 x 3/8 Hex 6 | 181821 | Card, Circuit 16 |
| 180042 | Terminal, Tab Type 23 | 181245 | Screw w/Lockwasher, 6-40 x 3/8 Hex 8 | 181822 | Bracket 16 |
| 180586 | Sleeve, 5/32 ID x 21/32" Lg Insulating 16 | 181246 | Screw w/Lockwasher, 6-40 x 5/8 Hex 7,16 | 181824 | Knob, Gray Pointer 7,8,9, 15 |
| 180877 | Jumper, 2-3/4" White-Red 22 | 181263 | Timer, Hour 6,12 | 181825 | Cover, Relay 7 |
| 180878 | Jumper, 2-3/4" White- Orange 22 | 181264 | Bracket 6,12 | 181826 | Jumper, 2" Black 22 |
| 180879 | Jumper, 2-3/4" White- Yellow 22 | 181265 | Timer w/Terminals 6 | 181827 | Jumper, 2-3/4" White- Black 22 |
| 180880 | Jumper, 2-3/4" White- Green 22 | 181266 | Bushing, Insulating 16 | 181828 | Jumper, 2-3/4" White- Orange 22 |
| 180881 | Jumper, 2-3/4" White- Blue 22 | 181276 | Plate, Name 6,12 | 181829 | Jumper, 2-3/4" White- Blue 22 |
| 180882 | Jumper, 2-3/4" White- Black 22 | 181281 | Bracket, Right 20 | 181830 | Jumper, 2-3/4" White- Yellow 22 |
| 180884 | Jumper, 2-3/4 White- Slate 22 | 181282 | Bracket, Left 20 | 181831 | Jumper, 2-3/4" White- Purple 22 |
| 180886 | Jumper, 2-1/2" Green 22 | 181283 | Spacer, .065" Thk 3,20 | 181832 | Jumper, 2-3/4" White- Brown 22 |
| 180887 | Jumper, 2-1/2" Red 22 | 181287 | Holder, Card 19,20 | 181836 | Jumper, 4-1/2" Blue 22 |
| 180888 | Jumper, 2-1/2" Blue 22 | 181289 | Window, Plastic 18,19,20 | 181837 | Jumper, 4-1/2' Black 22 |
| 180889 | Jumper, 2-1/2" Yellow 22 | 181292 | Window, Plastic 18,19 | 181840 | Plate, Name 7 |
| 180890 | Jumper, 2-1/2" White 22 | 181297 | Cover, Insulating 5,6,7,8 9 | 181842 | Plate, Name 7 |
| 180893 | Jumper, 2-1/2" Red- Orange 22 | 181300 | Sleeve, 3/16 ID x 1" Lg Insulating 23 | 181844 | Plate, Name 7,8 |
| 180894 | Jumper, 2-1/2" White- Blue 22 | 181374 | Terminal, Tab Type 23 | 181845 | Plate, Name 6,7 |
| 180895 | Jumper, 2-1/2" White- Green 22 | 181392 | Terminal, Tab Type 9,23 | 181857 | Plate 8 |
| 180896 | Jumper, 2-1/2" White- Yellow 22 | 181424 | Nut, 6-40 Sq 7,8,16 | 181879 | Transformer, Power 7 |
| 180897 | Jumper, 2-1/2" White- Orange 22 | 181631 | Strip Assembly, Lamp 2 | 181882 | Bracket, Switch 8 |
| 180898 | Jumper, 2-1/2" White-Red 22 | 181632 | Button Assembly 2 | 181890 | Sleeve, 1/16 ID x 1" Lg Insulating 22,23 |
| 180899 | Jumper, 2-1/2" White- Purple 22 | 181637 | Bracket 21 | 181892 | Sleeve, 9/64 ID x 1" Lg Insulating 23 |
| 180900 | Jumper, 2-1/2" Orange 22 | 181638 | Contact Assembly 21 | 181893 | Sleeve, 3/64 ID x 1-1/2" Lg Insulating 5,23 |
| 180902 | Jumper, 3-1/2" Braided 22 | 181645 | Dial, Rotary 2 | 181901** | Faceplate 19 |
| | | 181661 | Buzzer, 115V ac 2 | 181902** | Faceplate 20 |
| | | 181672 | Relay, Power 4 | 181903** | Faceplate 18 |
| | | 181674 | Terminal, Tab Type 23 | 181904** | Faceplate 20 |
| | | 181675 | Transistor, Power 4,8,12, 16 | 181906** | Faceplate 18 |
| | | 181721 | Connector, 12 Pt Plug Type 23 | 181994 | Bracket, Guide 7 |
| | | 181729 | Connector Assembly 23 | 181999 | Insulator 7,16 |

**Refer to page 1 for finish suffix

NUMERICAL INDEX (Continued)

| Part Number | Description and Page Number | Part Number | Description and Page Number | Part Number | Description and Page Number |
|-------------|--|-------------|---|-------------|---------------------------------------|
| 182044 | Modification Kit 6 | 182565 | Bracket 2 | 182695 | Driver Assembly, Selector Magnet 1,16 |
| 182065 | Plate, Identification 7,8 | 182566 | Bracket, Left 2 | 182696 | Cable Assembly 16 |
| 182066 | Plate, Identification 8 | 182569 | Clamp 5 | 182700 | Plate, Base 3,6,7,15,16 |
| 182162 | Post 4 | 182571 | Screw, 6-40 Shoulder 2 | 182703 | Bracket 16 |
| 182173 | Spacer 8 | 182576 | Bracket, Right 2 | 182704 | Bracket 6,7,9 |
| 182182 | Holder, Fuse 2,6,7,8,9,12,17 | 182577 | Bracket 2 | 182706 | Plate, Pilot 15 |
| 182184 | Fuse, 2.8 Amp 7,8 | 182581 | Key Assembly 21 | 182707 | Bracket, Pilot 15 |
| 182193 | Insulator 3 | 182582 | Key Assembly 21 | 182708 | Bracket, Left 3 |
| 182251 | Plate, Identification 4,7,16 | 182589 | Key Assembly 21 | 182709 | Bracket, Right 3,20 |
| 182284 | Insulator, .015" Thk 7,16 | 182611 | Fuse, SL-BL 3/8 Amp 5,6,7,9 | 182710 | Bracket, Upper 6,7,9 |
| 182287 | Jumper, 6" Purple 6,22 | 182615 | Pad 5 | 182711 | Bracket, Lower 6,7 |
| 182489 | Modification Kit 1,18 | 182619 | Screw, 6-40 Shoulder 15 | 182713 | Cap, Amber Lens 15 |
| 182494 | Card Set, Index 19,20 | 182620 | Dial, Touch Tone 18 | 182714 | Cap, White Lens 2,10,14,15,17 |
| 182495 | Card Set, Dialing 19,20 | 182621 | Dial, Touch Tone Card 19 | 182715 | Cap, Red Lens 10,24 |
| 182500 | Dial, Rotary 20 | 182622 | Dial, DC Card 20 | 182716 | Connector, 9 Pt Plug Type 16,23 |
| 182501 | Capacitor, 1,500 MFD 4,8,16 | 182630 | Card, Circuit 11,16 | 182717 | Board, Terminal 3 |
| 182502 | Nut, No. 14 Speed 2,3,7,8,9 | 182643 | Terminal, Plug Type 5,9,13,16,22,23,24 | 182718 | Buzzer, 10V ac 3 |
| 182503 | Ringer w/Terminals 15 | 182644 | Terminal, Receptacle Type 5,9,13,22,23,24 | 182719 | Bracket, Guide 6 |
| 182510 | Cord, Power 22 | 182645 | Connector, 9 Pt Receptacle Type 23 | 182720 | Bracket, Dial 18 |
| 182520 | Rectifier 6,7 | 182648 | Connector, 12 Pt Receptacle Type 23 | 182721 | Bracket 15 |
| 182523 | Clamp, 1-3/8" ID Mounting 7,8,16 | 182649 | Connector, 6 Pt Receptacle Type 24 | 182722 | Transformer w/Terminals 16 |
| 182524 | Button Assembly 3 | 182650 | Connector, 6 Pt Plug Type 23,24 | 182723 | Bracket 3,20 |
| 182527 | Screw, 4-40 Shoulder 2 | 182653 | Knob 15 | 182724 | Plate, Dial 20 |
| 182529 | Lamp, 10V 2,3 | 182657 | Transformer, Power 6 | 182625 | Plate, Tone Dialer 19 |
| 182532 | Filter 20 | 182658 | Socket, Lamp 2,10,15,17,24 | 182726 | Terminal, Receptacle Type 16,23 |
| 182533 | Screw, 6-32 x 5/16 Rd 21 | 182660 | Switch, Pushbutton 14,15 | 182727 | Bracket, Left 20 |
| 182534 | Screw, 4-40 Spl 21 | 182661 | Holder, Fuse 5 | 182728 | Bracket, Right 20 |
| 182535 | Spring 21 | 182666 | Bar, Latch 21 | 182729 | Link, Ringer 15 |
| 182536 | Connector, 15 Pt Circuit Card 4,6,16,23 | 182667 | Plunger 21 | 182730 | Bracket, Support 3 |
| 182537 | Terminal, Tab Type 23 | 182669 | Relay, Power 3 | 182731 | Post 6,11,16 |
| 182539 | Connector, 15 Pt Receptacle Type 5,6,7,9,12,23 | 182679 | Jumper w/Spark Suppression 22 | 182732 | Connector, 50 Pt Plug 23 |
| 182540 | Connector, 15 Pt Plug Type 13,23,24 | 182682 | Speaker, 2" 15 | 182733 | Connector, 50 Pt Receptacle 23 |
| 182553 | Plate, Base 21 | 182683 | Resistor, 50 Ohm 15 | 182750 | Card, Amplifier Circuit 6 |
| 182554 | Spring, Compression 21 | 182684 | Strap 3 | 182761 | Capacitor, 0.5 MFD 3 |
| 182556 | Lockout 21 | 182685 | Strap 3 | 182768 | Bracket, Fuse 7 |
| 182557 | Bracket 21 | 182686 | Resistor Assembly 50,000 Ohm 18,19 | 182769 | Block 10,15 |
| 182558 | Frame 21 | 182688 | Switch, Turn Button 2,15,17 | 182780 | Jumper, 2-1/4" White-Black 22 |
| 182559 | Plunger 21 | 182692 | Jumper, 2-1/4" Orange 22 | 182781 | Jumper, 2-3/4" White-Red 22 |
| 182561 | Contact Assembly 21 | 182693 | Jumper, 2-1/4" Orange 22 | 182782 | Jumper, 2-3/4" White-Green 22 |
| 182562 | Contact Assembly 21 | | | 182783 | Jumper, 2-3/4" White-Slate 22 |
| 182563 | Plate w/Bracket 2 | | | | |

NUMERICAL INDEX (Continued)

| Part Number | Description and Page Number | Part Number | Description and Page Number | Part Number | Description and Page Number |
|-------------|---------------------------------------|-------------|---------------------------------------|-------------|-------------------------------|
| 182784 | Jumper, 2-1/4" White-Orange 22 | 185677 | Terminal, Receptacle Type 4,9,22 | 186681 | Bracket 13,24 |
| 182785 | Jumper, 2-1/4" White-Blue 22 | 185678 | Plate, Identification 5,6,7 | 186682 | Bracket 13,14,24 |
| 182786 | Jumper, 2-1/4" White-Brown 22 | 185679 | Plate, Identification 2,6,7,17 | 186683 | Key Assembly 13,24 |
| 182787 | Jumper, 2-1/4" White-Yellow 22 | 185680 | Plate, Identification 12 | 186687 | Band w/S Hook 24 |
| 182788 | Jumper, 2-1/4" White-Purple 22 | 185682 | Plate, Identification 7,9 | 186688 | Block 24 |
| 182789 | Resistor, 200 Ohm 18,19 | 185683 | Plate, Identification 6,7 | 186689 | Cable Assembly 24 |
| 182791 | Bracket 2,17 | 185688 | Plate, Identification 6,12 | 186690 | Bracket Assembly, Lamp 24 |
| 182793 | Plate, Heat Sink 16 | 186000 | Driver Assembly, Selector Magnet 1,16 | 186727 | Clamp 13,24 |
| 182794 | Bracket 15 | 186059 | Terminal 4,8,12,16 | 186739 | Cover 16 |
| 182795 | Switch, DP-DT 2,17 | 186164 | Jumper, 6" Black 22 | 186741 | Jumper, 9" Green 6,7,8 |
| 182796 | Insulator, .032" Thk 6,7 | 186165 | Jumper, 6" Red 22 | 186768 | Bracket, Fuse 6 |
| 182799 | Capacitor, 20-30 MFD 18,19 | 186166 | Jumper, 6" Yellow 22 | 192007 | Terminal, Tab Type 6,9,10 |
| 183111 | Label 12,16 | 186224 | Plate 2 | 193040 | Connector w/Guide Slot 23 |
| 183141 | Holder, Card 19,20 | 186318 | Timer w/Terminals 6 | 193179 | Lamp, 28V 10 |
| 183511 | Plate, Pilot 15 | 186423 | Insulator 11 | 193209 | Connector, Receptacle Type 8 |
| 183512 | Bracket, Switch 15 | 186424 | Plate 12 | 193438 | Strip, Lamp 3 |
| 183524 | Button, Turn 2,15,17 | 186425 | Plate, Base 11 | 193486 | Modification Kit 1,20 |
| 183525 | Washer, Flat 2,15,17 | 186426 | Bracket 11,12 | 193487 | Modification Kit 1,18 |
| 183526 | Ring, Retaining 2,15,17 | 186427 | Bracket 11 | 193488 | Modification Kit 1,19 |
| 183985 | Driver Assembly, Selector Magnet 1,16 | 186431 | Cable Assembly 12 | 193489 | Modification Kit 1,20 |
| 184011 | Transformer w/Terminals 16 | 186434 | Transformer 11 | 193706 | Jumper, 3" White-Orange 22 |
| 184012 | Driver Assembly, Selector Magnet 1,16 | 186438 | Card, Circuit 11 | 193708 | Jumper, 3" Black 22 |
| 184076 | Cable Assembly 22 | 186439 | Card, Circuit 11 | 195614 | Pin, Key 5,6,7,9,23 |
| 184079 | Jumper, White-Red 22 | 186448 | Timer Assembly 5 | 195618 | Jumper, 5-1/4" White-Purple 5 |
| 184080 | Jumper, White-Orange 22 | 186463 | Post 11 | 195924 | Modification Kit 1,20 |
| 184081 | Jumper, White-Yellow 22 | 186465 | Timer Assembly 5 | 195926 | Modification Kit 1,20 |
| 184082 | Jumper, White-Green 22 | 186466 | Bracket 12,14 | 195927 | Modification Kit 1,19 |
| 184083 | Jumper, White-Blue 22 | 186535 | Bracket 12,14 | 195940 | Stud 10 |
| 184084 | Jumper, White-Black 22 | 186595 | Dial, Touch-Tone 18 | 197028 | Terminal 9 |
| 184091 | Connector, 12 Pt Plug 23 | 186596 | Dial, Touch-Tone 19 | 197054 | Jumper, 3" Black 9 |
| 184155 | Cable Assembly 22 | 186597 | Card Set, Dialing 19 | 197081 | Switch, 3 Positions 7,8,15 |
| 184161 | Bracket 8 | 186598** | Faceplate 18 | 197464 | Diode 10 |
| 184162 | Connector, 22 Pt Circuit Card 8 | 186599** | Faceplate 19 | 197939 | Switch, Pushbutton 10 |
| 184166 | Bracket 8 | 186600 | Modification Kit 1,18 | 198515 | Card, Circuit 4 |
| 184168 | Card, Circuit 8 | 186601 | Modification Kit 1,18 | 198517 | Bracket 4 |
| 184169 | Capacitor, 500-600 MFD 8 | 186602 | Modification Kit 1,19 | 198518 | Bushing, Insulating 4,8,12 |
| 184171 | Strip, Terminal 8 | 186603 | Modification Kit 1,19 | 198519 | Insulator 4 |
| 184193 | Transformer 8 | 186627 | Logic Assembly 1,13 | 198520 | Insulator, .062" Thk 4 |
| 184209 | Insulator 8 | 186628 | Bracket 6,7 | 198521 | Bracket 4 |
| 185676 | Terminal, Plug Type 9,16 | 186630 | Modification Kit 1,14 | 198522 | Clip, Spring 4,8 |
| | | 186637 | Card, Circuit 13 | 198528 | Bracket 5 |
| | | 186670 | Modification Kit 1,24 | 198529 | Strip, Terminal 5 |
| | | 186671 | Cable Assembly 24 | 198650 | Key, Polarizing 8,16 |
| | | 186672** | Faceplate 24 | 199311 | Insulator 15 |
| | | 186674 | Stayband 24 | 199397 | Bracket, Fuse 6,7,9 |
| | | 186680 | Logic Assembly 24 | 300340 | Bushing 3,10,11 |

**Refer to page 1 for finish suffix

NUMERICAL INDEX (Continued)

| Part Number | Description and Page Number | Part Number | Description and Page Number | Part Number | Description and Page Number |
|-------------|--|-------------|---------------------------------------|-------------|---------------------------------------|
| 301713 | Connector, 2 Pt Receptacle 2,6,7,12,17 | 327326 | Jumper, 2-3/4" Green 12,22 | 330793 | Transformer 16 |
| 302433 | Button, Stud 11 | 327420 | Modification Kit 1,20 | 330796 | Transformer 4 |
| 303826 | Card, Circuit 13 | 327806 | Plug 13 | 330906 | Label, Out of Service 13,24 |
| 303831 | Card, Circuit 24 | 328362 | Bar, Mounting 9 | 330923 | Label, Alarm 13 |
| 303832 | Card, Circuit 24 | 328363 | Bracket, Guide 10 | 332709 | Driver Assembly, Selector Magnet 1,16 |
| 303833 | Card, Circuit 12,14,24 | 328382 | Board, Terminal 10 | | |
| 304992 | Bushing, Blocking 3 | 328383 | Board, Cover 10 | 333515 | Shield, Transformer 16 |
| 305453 | Transformer w/Terminals 4 | 328389 | Jumper, 8" Black 9 | 334652 | Insulator, Switch 7,8 |
| 305454 | Transformer 4 | 328390 | Jumper, 8" Black 9 | 336333 | Plate, Nut 13,24 |
| 305688 | Card, Circuit 5 | 328391 | Jumper, 6" Orange 9 | 336334 | Collar 13,24 |
| 305689 | Card, Circuit 5 | 328392 | Jumper, 6" Orange 9 | 336460 | Plate 14,24 |
| 311406 | Terminal, Receptacle Type 12,16 | 328393 | Jumper, 6" Black 9 | 336461 | Post 14,24 |
| | | 328394 | Jumper, 8" Black 9 | 336462 | Bracket 14,24 |
| 311605 | Connector, 25 Pt Plug 13,24 | 328395 | Jumper, 6" Black 9 | 336464 | Cable Assembly 13,24 |
| | | 328396 | Jumper, 8" White 9 | 336465 | Bracket 14,24 |
| 311901 | Cap, Green 24 | 328397 | Jumper, 6" White 9 | 336471 | Cable Assembly 14 |
| 312352 | Card, Circuit 16 | 328398 | Jumper, 6" White 9 | 336493 | Post 11,24 |
| 312918 | Strap 24 | 328399 | Jumper, 8" White 9 | 336601 | Cable Assembly 13 |
| 320408 | Terminal, Spade Type 18, 19,23 | 328400 | Jumper, 8" Black 9 | 336631 | Label 13,24 |
| | | 328727 | Connector, 15Pt Plug Type 13,24 | 336632 | Label 13 |
| 320410 | Terminal, Spade Type 6,9, 12,22,23 | | | 336633 | Label 13,24 |
| | | 328733 | Connector, 15Pt Receptacle Type 13,24 | 336635 | Label 13,24 |
| 320412 | Terminal, Spade Type 4, 16,23 | | | 336636 | Label 24 |
| | | 328739 | Plate, Switch 10 | 336640 | Label 24 |
| 320418 | Terminal, Ring Type 12, 14,22,23 | 328740 | Bracket, Mounting 10 | 336954 | Screw, 4-40 x 13/64 Fil 13 |
| | | 328741 | Post 10 | | |
| 320423 | Plate 5 | 328742 | Switch, Rotary 9 | 336956 | Stayband 13 |
| 326635 | Network, Spark Suppression 10 | 328743 | Switch, Lever 10 | 336957 | Label 13 |
| | | 328808 | Plate, Base 9,10 | 336959 | Cover 13 |
| 327061 | Lamp, 24V 13 | 330781 | Shield, Transformer 4 | 336960 | Cover 24 |
| | | 330782 | Shield, Transformer 4,16 | 336983 | Label 24 |

33 TAPE READER (UX)
PARTS

| FIGURE | CONTENTS | PAGE |
|--------|-----------------------------|------|
| 1 | Reader Mechanism | 2 |
| 2 | Tape Feed Magnet | 3 |
| 3 | Contact Block | 3 |
| 4 | Reed Switch and Magnet Core | 4 |
| 5 | Vibration Mounting | 4 |
| | Numerical Index | 5 |

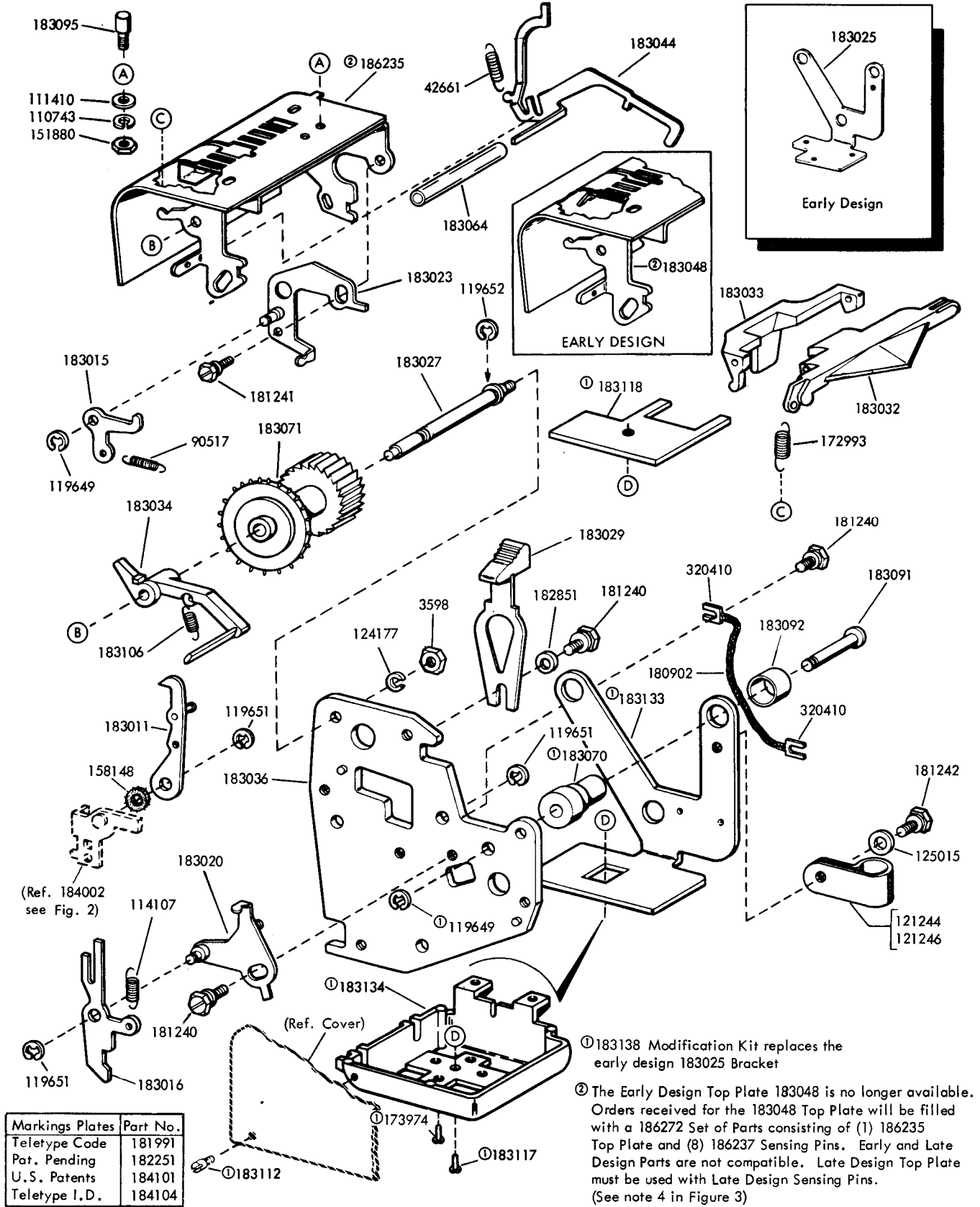


FIGURE 1. READER MECHANISM

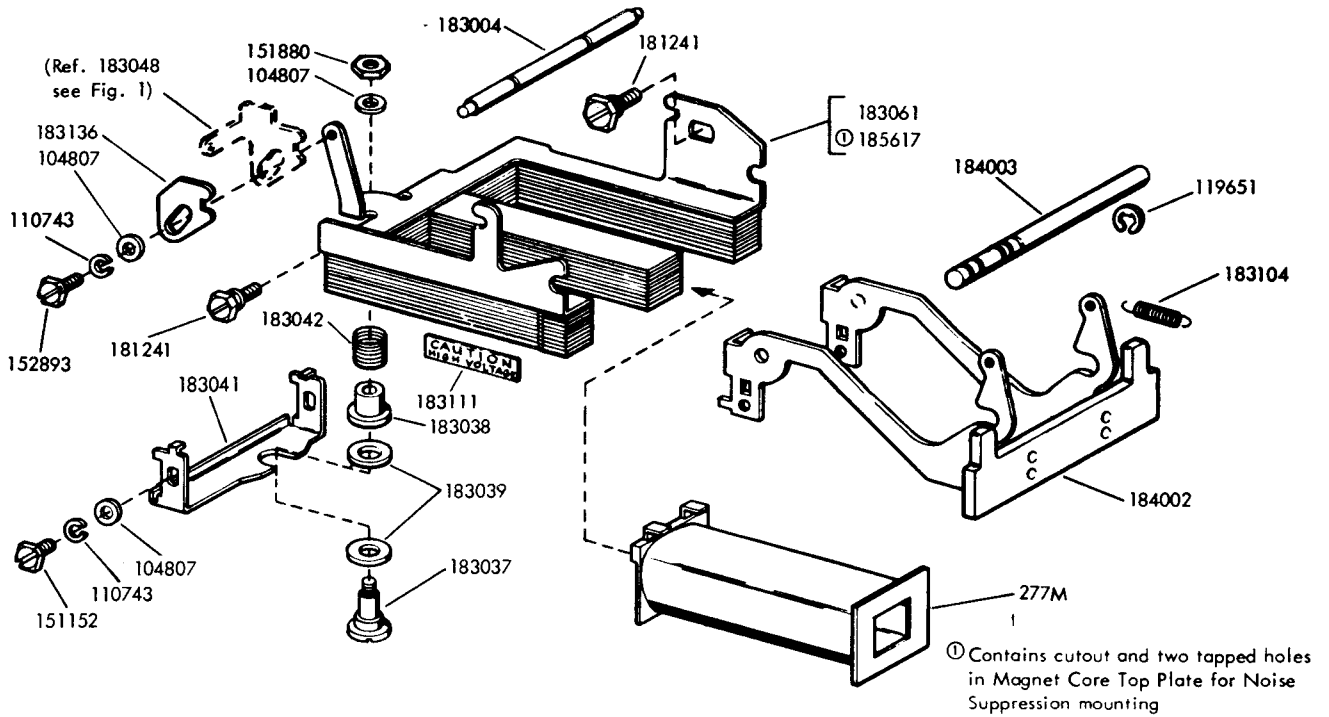


FIGURE 2. TAPE FEED MAGNET

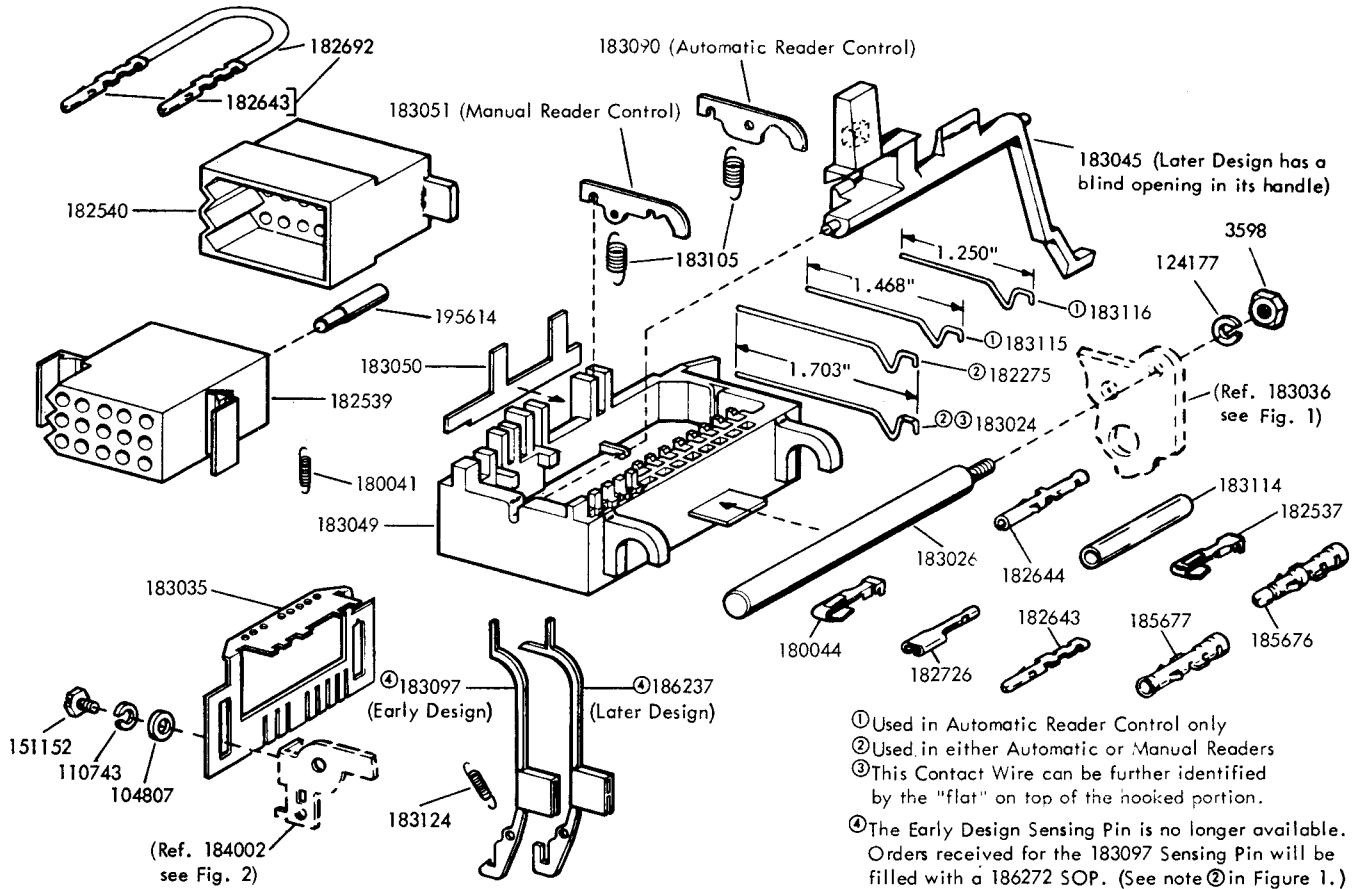


FIGURE 3. CONTACT BLOCK

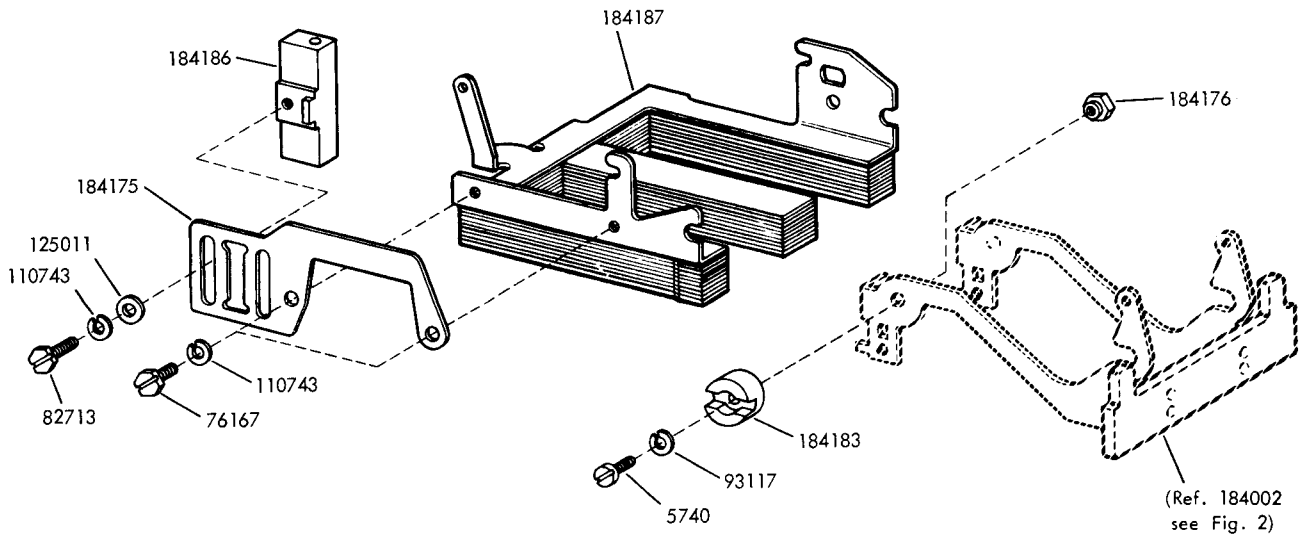


FIGURE 4. REED SWITCH AND MAGNET CORE

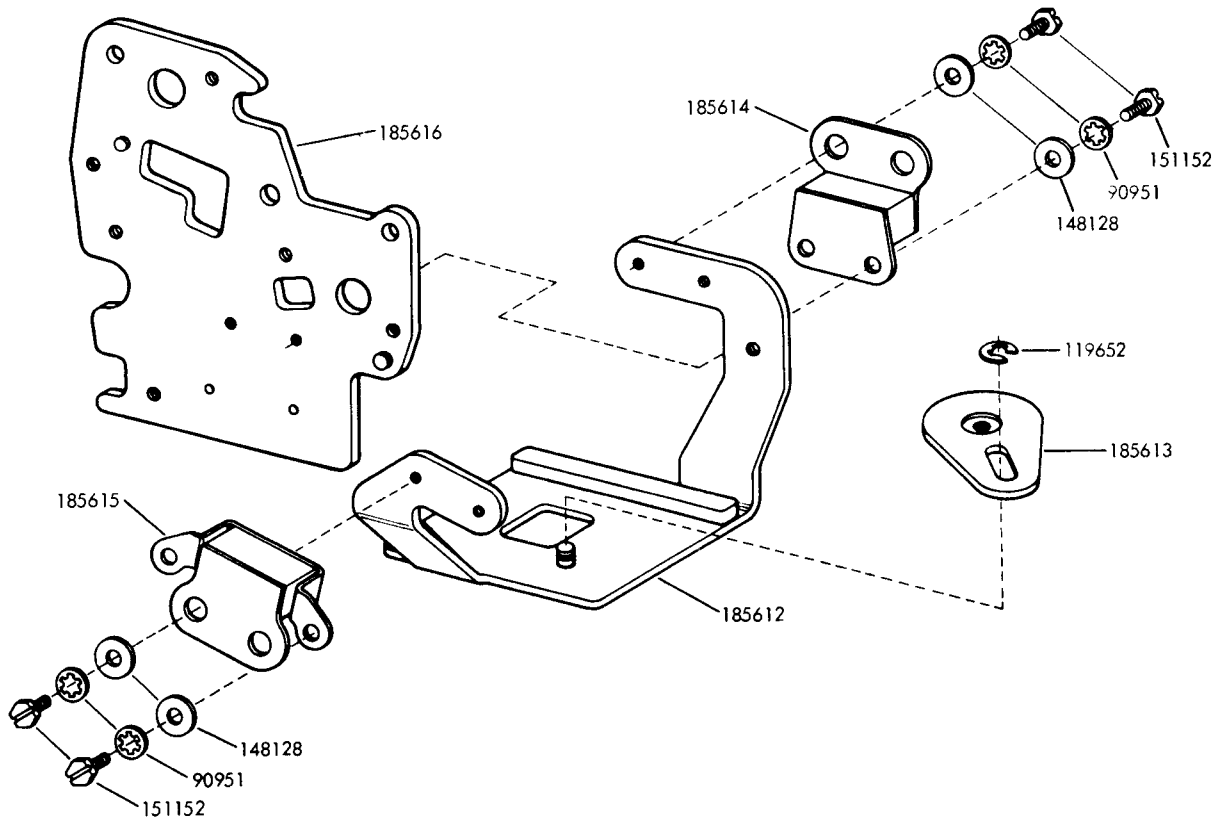


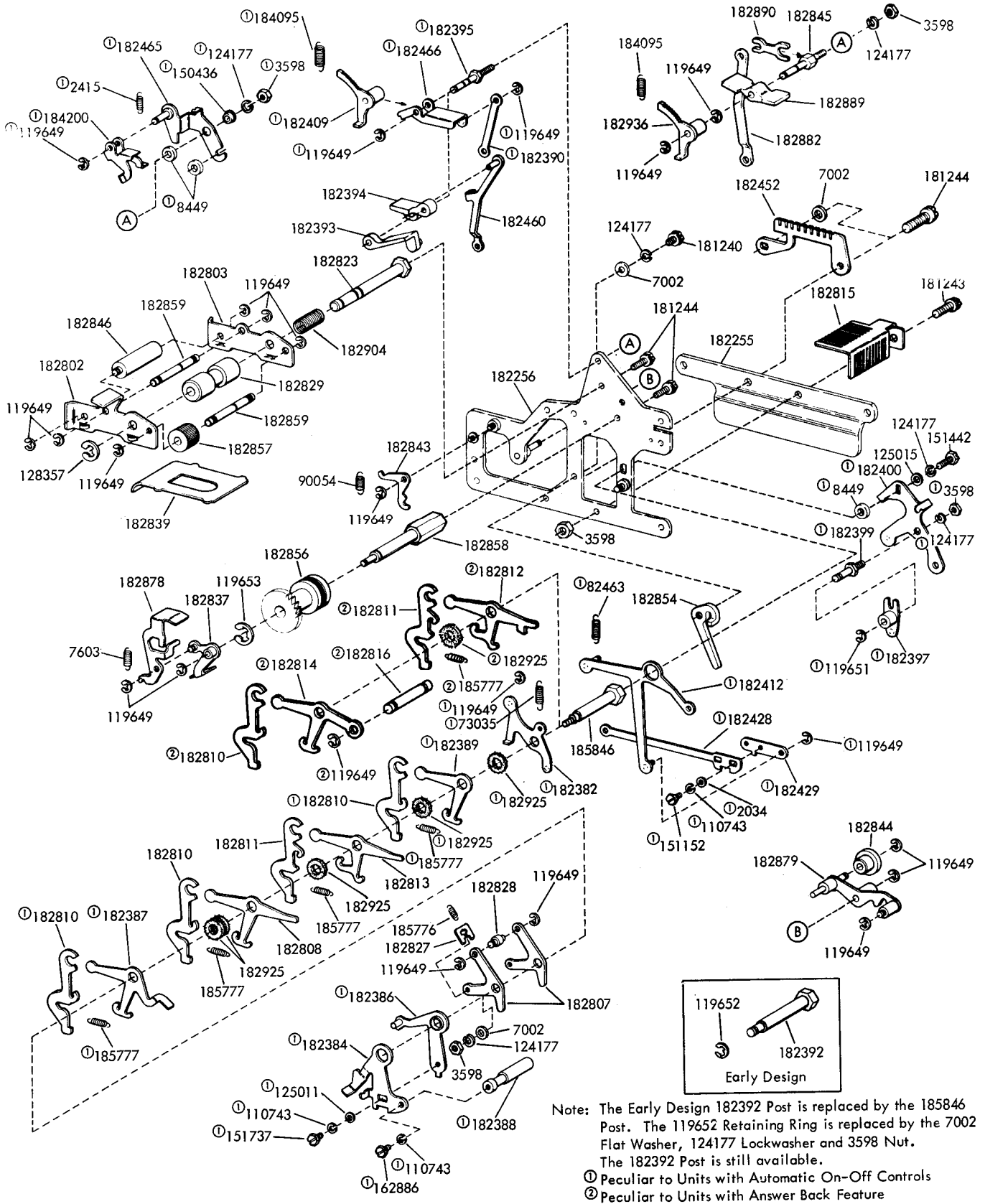
FIGURE 5. VIBRATION MOUNTING

NUMERICAL INDEX

| Part Number | Description and Page Number | Part Number | Description and Page Number | Part Number | Description and Page Number |
|-------------|--|-------------|------------------------------|-------------|-----------------------------|
| 277M | Coil, Magnet 3 | 182540 | Connector, 15 Pt Plug Type 3 | 183095 | Stud, Tape Guide 2 |
| 3598 | Nut, 6-40 Hex 2,3 | 182643 | Terminal, Plug Type 3 | 183097 | Pin, Sensing 3 |
| 5740 | Screw, 2-56 x 1/4 Fil 4 | 182644 | Terminal, Receptacle Type 3 | 183104 | Spring 3 |
| 42661 | Spring 2 | 182692 | Jumper, 2-1/4" Orange 3 | 183105 | Spring 3 |
| 76167 | Screw, 4-40 x 3/16 Hex 4 | 182726 | Terminal, Receptacle Type 3 | 183106 | Spring 2 |
| 82713 | Screw, 4-40 x 9/32 Hex 4 | 182851 | Spacer, .062" Thk 2 | 183111 | Label 3 |
| 90517 | Spring 2 | 183004 | Post, Spring 3 | 183112 | Screw, 4-40 x 9/16 Fil 2 |
| 90951 | Lockwasher 4 | 183011 | Pawl, Feed 2 | 183114 | Sleeve, Insulating 3 |
| 93117 | Lockwasher 4 | 183015 | Lever, Detent 2 | 183115 | Wire, Contact 3 |
| 104807 | Washer, Flat 3 | 183016 | Pawl, Blocking 2 | 183116 | Wire, Contact 3 |
| 110743 | Lockwasher 2,3,4 | 183020 | Bracket, Blocking Pawl 2 | 183117 | Screw, 10-32 x 5/8 Hex 2 |
| 111410 | Washer, Flat 2 | 183023 | Bracket, Detent 2 | 183118 | Plate, Clamp 2 |
| 114107 | Spring 2 | 183024 | Wire, Contact 3 | 183124 | Spring 3 |
| 119649 | Ring, Retaining 2 | 183025 | Bracket 2 | 183133 | Bracket 2 |
| 119651 | Ring, Retaining 2,3 | 183026 | Post, Contact Block 3 | 183134 | Base 2 |
| 119652 | Ring, Retaining 2,4 | 183027 | Shaft, Feed Wheel 2 | 183136 | Plate 3 |
| 121244 | Clamp, 1/4 ID Cable 2 | 183029 | Latch, Spring 2 | 183138 | Modification Kit 2 |
| 121246 | Clamp, 3/8 ID Cable 2 | 183032 | Lid, Tape 2 | 184002 | Armature 2,3,4 |
| 124177 | Lockwasher 2,3 | 183033 | Bail, Tight Tape 2 | 184003 | Shaft, Armature 3 |
| 125011 | Washer, Flat 4 | 183034 | Lever, Tight Tape 2 | 184101 | Plate, Identification 2 |
| 125015 | Washer, Flat 2 | 183035 | Guide, Sensing Pin 3 | 184104 | Plate, Identification 2 |
| 148128 | Washer, Flat 4 | 183036 | Backplate 2,3 | 184175 | Bracket 4 |
| 151152 | Screw, 4-40 x 3/16 Hex 3,4 | 183037 | Screw, 4-40 Shoulder 3 | 184176 | Nut, 2-56 Shoulder Hex 4 |
| 151880 | Nut, 4-40 Hex 2,3 | 183038 | Bushing, Upstop 3 | 184183 | Magnet 4 |
| 152893 | Screw, 4-40 x 1/4 Hex 3 | 183039 | Buffer, Upstop 3 | 184186 | Switch, Reed 4 |
| 158148 | Washer, Felt 2 | 183041 | Bracket, Upstop 3 | 184187 | Core, Magnet 4 |
| 172993 | Spring 2 | 183042 | Spring, Compression 3 | 185612 | Bracket 4 |
| 173974 | Screw, 10-32 x 5/16 Hex 2 | 183044 | Pin, Tape Out 2 | 185613 | Plate, Nut 4 |
| 180041 | Spring 3 | 183045 | Lever, Start-Stop 3 | 185614 | Mount, Left Vibration 4 |
| 180044 | Terminal, Tab Type 3 | 183048 | Plate, Top 2,3 | 185615 | Mount, Right Vibration 4 |
| 180902 | Jumper, 3-1/2" Braided 2 | 183049 | Block, Contact 3 | 185616 | Plate 4 |
| 181240 | Screw w/Lockwasher, 6-40 x 3/16 Hex 2 | 183050 | Bar, Common 3 | 185617 | Core, Magnet 3 |
| 181241 | Screw w/Lockwasher, 6-40 x 1/4 Hex 2,3 | 183051 | Lever, Detent 3 | 185676 | Terminal, Plug Type 3 |
| 181242 | Screw w/Lockwasher, 6-40 x 5/16 Hex 2 | 183061 | Core, Magnet 3 | 185677 | Terminal, Receptacle Type 3 |
| 181991 | Plate, Identification 2 | 183064 | Insulator, Tape Out Pin 2 | 186235 | Plate, Top 2 |
| 182251 | Plate, Identification 2 | 183070 | Grommet, Rubber 2 | 186237 | Pin, Sensing 2,3 |
| 182275 | Wire, Contact 3 | 183071 | Wheel, Feed 2 | 186272 | Set of Parts 2,3 |
| 182537 | Terminal, Tab Type 3 | 183090 | Lever, Detent 3 | 195614 | Pin, Key 3 |
| 182539 | Connector, 15 Pt Receptacle Type 3 | 183091 | Post 2 | 320410 | Terminal, Spade Type 2 |
| | | 183092 | Cup 2 | | |

33 TAPE PUNCH (UPE)
PARTS

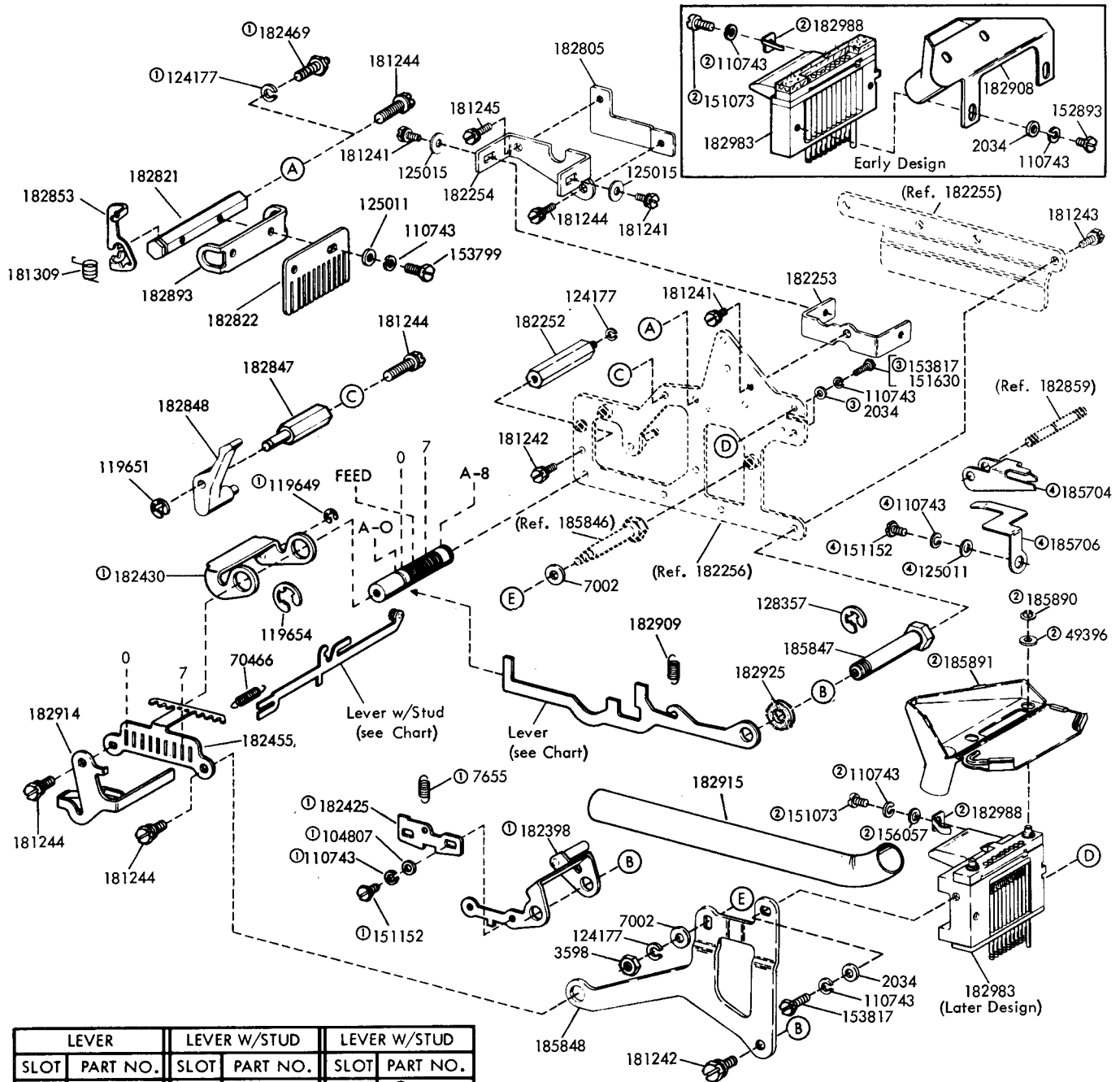
| FIGURE | CONTENTS | PAGE |
|--------|-----------------------------|------|
| 1 | Punch Mechanism | 2 |
| 2 | Punch Mechanism (Continued) | 3 |
| 3 | Power Bail Mechanisms | 4 |
| | Numerical Index | 5 |



Note: The Early Design 182392 Post is replaced by the 185846 Post. The 119652 Retaining Ring is replaced by the 7002 Flat Washer, 124177 Lockwasher and 3598 Nut. The 182392 Post is still available.

- ① Peculiar to Units with Automatic On-Off Controls
- ② Peculiar to Units with Answer Back Feature

FIGURE 1. PUNCH MECHANISM

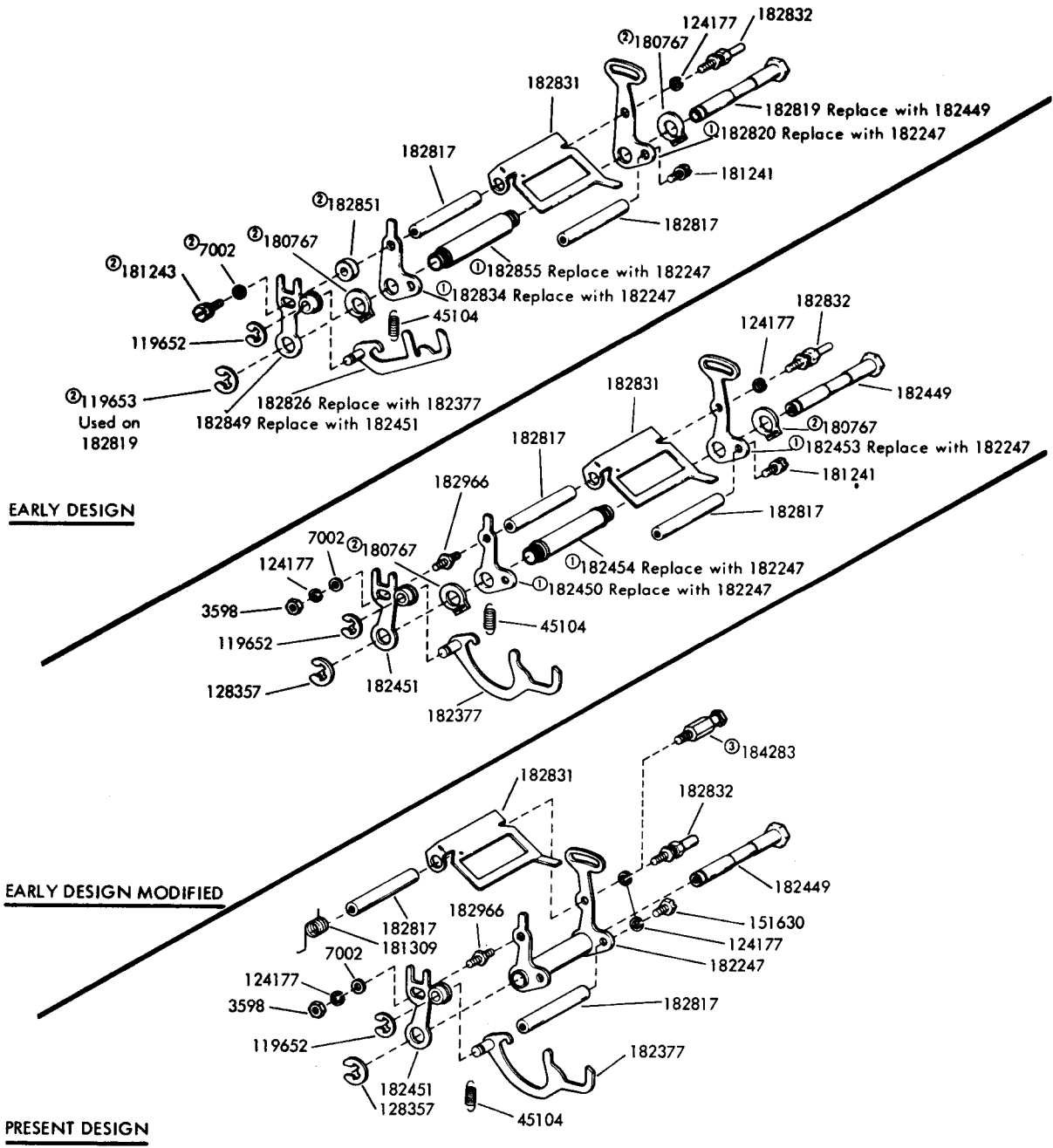


| LEVER | | LEVER W/STUD | | LEVER W/STUD | |
|-------|----------|--------------|----------|--------------|----------|
| SLOT | PART NO. | SLOT | PART NO. | SLOT | PART NO. |
| A-O | ①182457 | 0 | 182862 | 1 | ①182403 |
| 0 | 182431 | 1-8 | 182884 | 2 | ①182402 |
| 1 | 182432 | 2-8 | 182885 | 3 | ①182404 |
| 2 | 182433 | 3 | 182864 | 4 | ①182864 |
| FEED | 182872 | 4-8 | 182886 | 5 | ①182406 |
| 3 | 182434 | 6 | 182887 | 6 | ①182887 |
| 4 | 182435 | 5 | 182861 | 7 | ①182861 |
| 5 | 182437 | 7 | 182888 | 8 | ①182888 |
| 6 | 182438 | | | | |
| 7 | 182439 | | | | |
| A-8 | ①182457 | | | | |

NOTE: Early and Later Design Punch Block Assemblies are interchangeable; however, the 182908 Chad Chute can only be used on the Early Design and the 185891 can only be used on the Later Design.

- ① Peculiar to units with Automatic On-Off Controls
- ② Supplied with 182983
- ③ Peculiar to units with Manual On-Off Controls
- ④ 185705 Modification Kit to provide a guide for Fan Fold Tape

FIGURE 2. PUNCH MECHANISM (Continued)



- ① Must be replaced with 182247 Sleeve w/Plates, 181309 Spring and 128357 Ring, Retaining (3598, 124177, 7002 and 182966 may also be ordered to update entire Power Bail Mechanism)
- ② Use only with Earlier Design Mechanisms
- ③ Peculiar to units with automatic ON-OFF controls

FIGURE 3. POWER BAIL MECHANISMS

NUMERICAL INDEX

| Part Number | Description and Page Number | Part Number | Description and Page Number | Part Number | Description and Page Number |
|-------------|--|-------------|---|-------------|-----------------------------|
| 2034 | Washer, Flat 2,3 | 181244 | Screw w/Lockwasher, 6-40 x 7/16 Hex 2,3 | 182454 | Sleeve 4 |
| 2415 | Spring 2 | 181245 | Screw w/Lockwasher, 6-40 x 1/2 Hex 3 | 182455 | Bracket 3 |
| 3598 | Nut, 6-40 Hex 2,4 | 181309 | Spring, Torsion 3,4 | 182457 | Lever 3 |
| 7002 | Washer, Flat 2,3,4 | 182247 | Sleeve w/Plates 4 | 182460 | Link 2 |
| 7603 | Spring 2 | 182252 | Post 3 | 182465 | Bracket 2 |
| 7655 | Spring 3 | 182253 | Bracket 3 | 182466 | Lever w/Post 2 |
| 8449 | Spacer, 0.094" Thk 2 | 182254 | Bracket 3 | 182469 | Post, Spring 3 |
| 45104 | Spring 4 | 182255 | Spacer 2,3 | 182802 | Bracket 2 |
| 49396 | Washer, Flat 3 | 182256 | Plate 2,3 | 182803 | Plate 2 |
| 70466 | Spring 3 | 182257 | Pawl w/Stud 4 | 182805 | Plate 3 |
| 73035 | Spring 2 | 182377 | Lever 2 | 182807 | Lever 2 |
| 82463 | Spring 2 | 182382 | Lever 2 | 182808 | Lever 2 |
| 90054 | Spring 2 | 182384 | Lever 2 | 182810 | Pawl 2 |
| 104807 | Washer, Flat 3 | 182386 | Lever 2 | 182811 | Pawl 2 |
| 110743 | Lockwasher 2,3 | 182387 | Lever 2 | 182812 | Lever 2 |
| 119649 | Ring, Retaining 2,3 | 182388 | Post 2 | 182813 | Lever 2 |
| 119651 | Ring, Retaining 2,3 | 182389 | Lever 2 | 182814 | Lever 2 |
| 119652 | Ring, Retaining 2,4 | 182390 | Link 2 | 182815 | Bracket 2 |
| 119653 | Ring, Retaining 2,4 | 182392 | Post 2 | 182816 | Shaft 2 |
| 119654 | Ring, Retaining 3 | 182393 | Lever 2 | 182817 | Post 4 |
| 124177 | Lockwasher 2,3,4 | 182394 | Lever 2 | 182819 | Post 4 |
| 125011 | Washer, Flat 2,3 | 182395 | Post 2 | 182820 | Plate 4 |
| 125015 | Washer, Flat 2,3 | 182397 | Lever 2 | 182821 | Post 3 |
| 128357 | Ring, Retaining 2,3,4 | 182398 | Bail w/Post 3 | 182822 | Plate 3 |
| 150436 | Bushing 2 | 182399 | Post, Eccentric 2 | 182823 | Post 2 |
| 151073 | Screw, 4-40 x 5/32 Fil 3 | 182400 | Plate w/Stud 2 | 182826 | Pawl w/Stud 4 |
| 151152 | Screw, 4-40 x 3/16 Hex 2,3 | 182402 | Lever w/Stud 3 | 182827 | Plate 2 |
| 151442 | Screw, 6-40 x 1/2 Hex 2 | 182403 | Lever w/Stud 3 | 182828 | Roller 2 |
| 151630 | Screw, 6-40 x 1/4 Hex 3,4 | 182404 | Lever w/Stud 3 | 182829 | Sleeve 2 |
| 151737 | Screw, 4-40 x 11/64 Hex 2 | 182406 | Lever w/Stud 3 | 182831 | Bail 4 |
| 152893 | Screw, 4-40 x 1/4 Hex 3 | 182409 | Arm w/Hub 2 | 182832 | Post 4 |
| 153817 | Screw, 4-40 x 3/8 Hex 3 | 182412 | Lever w/Stud 2 | 182834 | Plate 4 |
| 153799 | Screw, 4-40 x 21/64 Hex 3 | 182425 | Arm 3 | 182837 | Lever w/Post 2 |
| 156057 | Washer, Flat 3 | 182428 | Link 2 | 182839 | Plate 2 |
| 162886 | Screw, 4-40 x 7/32 Hex 2 | 182429 | Plate 2 | 182843 | Lever 2 |
| 180767 | Ring, Retaining 4 | 182429 | Plate 2 | 182844 | Roller 2 |
| 181240 | Screw w/Lockwasher, 6-40 x 3/16 Hex 2 | 182430 | Bail w/Stud 3 | 182845 | Post 2 |
| 181241 | Screw w/Lockwasher, 6-40 x 1/4 Hex 3,4 | 182431 | Lever 3 | 182846 | Roller 2 |
| 181242 | Screw w/Lockwasher, 6-40 x 5/16 Hex 3 | 182432 | Lever 3 | 182847 | Post 3 |
| 181243 | Screw w/Lockwasher, 6-40 x 3/8 Hex 2,3,4 | 182433 | Lever 3 | 182848 | Arm 3 |
| | | 182434 | Lever 3 | 182849 | Plate w/Bushing 4 |
| | | 182435 | Lever 3 | 182851 | Spacer, 0.062" Thk 4 |
| | | 182437 | Lever 3 | 182853 | Hook 3 |
| | | 182438 | Lever 3 | 182854 | Bracket 2 |
| | | 182439 | Lever 3 | 182855 | Sleeve 4 |
| | | 182449 | Post 4 | 182856 | Wheel, 24T 2 |
| | | 182450 | Plate 4 | 182857 | Roller 2 |
| | | 182451 | Plate w/Bushing 4 | 182858 | Post 2 |
| | | 182452 | Guideplate 2 | 182859 | Post 2,3 |
| | | 182453 | Plate 4 | 182861 | Lever w/Stud 3 |

NUMERICAL INDEX (Continued)

| Part Number | Description and Page Number | Part Number | Description and Page Number | Part Number | Description and Page Number |
|-------------|-----------------------------|-------------|-----------------------------|-------------|-----------------------------|
| 182862 | Lever w/Stud 3 | 182890 | Plate 2 | 184095 | Spring 2 |
| 182864 | Lever w/Stud 3 | 182893 | Bracket 3 | 184200 | Bail 2 |
| 182872 | Lever 3 | 182904 | Spring, Compression 2 | 184283 | Guidepost 4 |
| 182878 | Lever 2 | 182908 | Chute, Chad 3 | 185704 | Depressor, Tape 3 |
| 182879 | Lever 2 | 182909 | Spring 3 | 185705 | Modification Kit 3 |
| 182882 | Link 2 | 182914 | Bracket 3 | 185706 | Bracket 3 |
| 182884 | Lever w/Stud 3 | 182915 | Extension 3 | 185776 | Spring 2 |
| 182885 | Lever w/Stud 3 | 182925 | Washer, Flat 2,3 | 185777 | Spring 2 |
| 182886 | Lever w/Stud 3 | 182936 | Arm w/Bushing 2 | 185846 | Post 2,3 |
| 182887 | Lever w/Stud 3 | 182966 | Stud 4 | 185847 | Post 3 |
| 182888 | Lever w/Stud 3 | 182983 | Block Assembly, Punch 3 | 185848 | Plate 3 |
| 182889 | Lever 2 | 182988 | Spring, Punch Block 3 | 185890 | Pushnut 3 |
| | | | | 185891 | Chute, Chad 3 |

33 COVER AND TABLE

PARTS

| FIGURE | CONTENTS | PAGE |
|--------|---|------|
| 1 | Printer Covers | 2 |
| 2 | Punch Cover and Base | 3 |
| 3 | Reader Cover and Base | 4 |
| 4 | Faceplates | 5 |
| 5 | Cover and Tape Storage Bin | 6 |
| 6 | Cabinet | 7 |
| 7 | Lid and Copyholder | 8 |
| 8 | 183976 Adjustable Copyholder Assembly | 9 |
| 9 | 182134, 182149, 184194 and 186480 Power Pack Assemblies | 10 |
| 10 | 181720 Power Pack Assembly | 10 |
| 11 | 184074 Outlet Box Assembly | 11 |
| 12 | 183859 Modification Kit to Provide Paper Supply and Accumulating Shelf | 12 |
| 13 | 186031 Rectifier Assembly | 13 |
| 14 | 186226 Modification Kit to Provide Mobility for Cabinet | 14 |
| | Numerical Index | 15 |

**Denotes a painted part.
HF-Light Olive Gray Smooth Vinyl

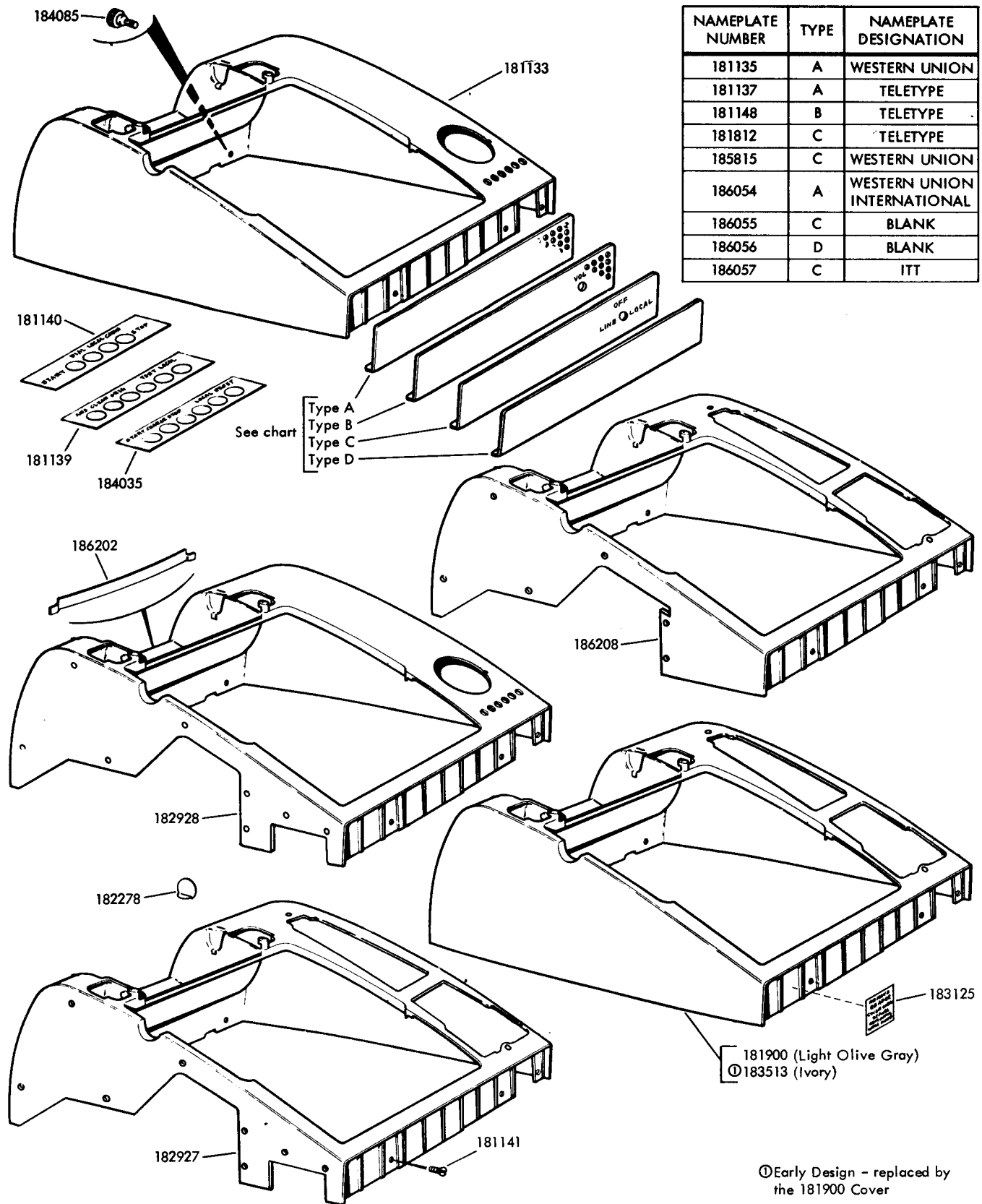
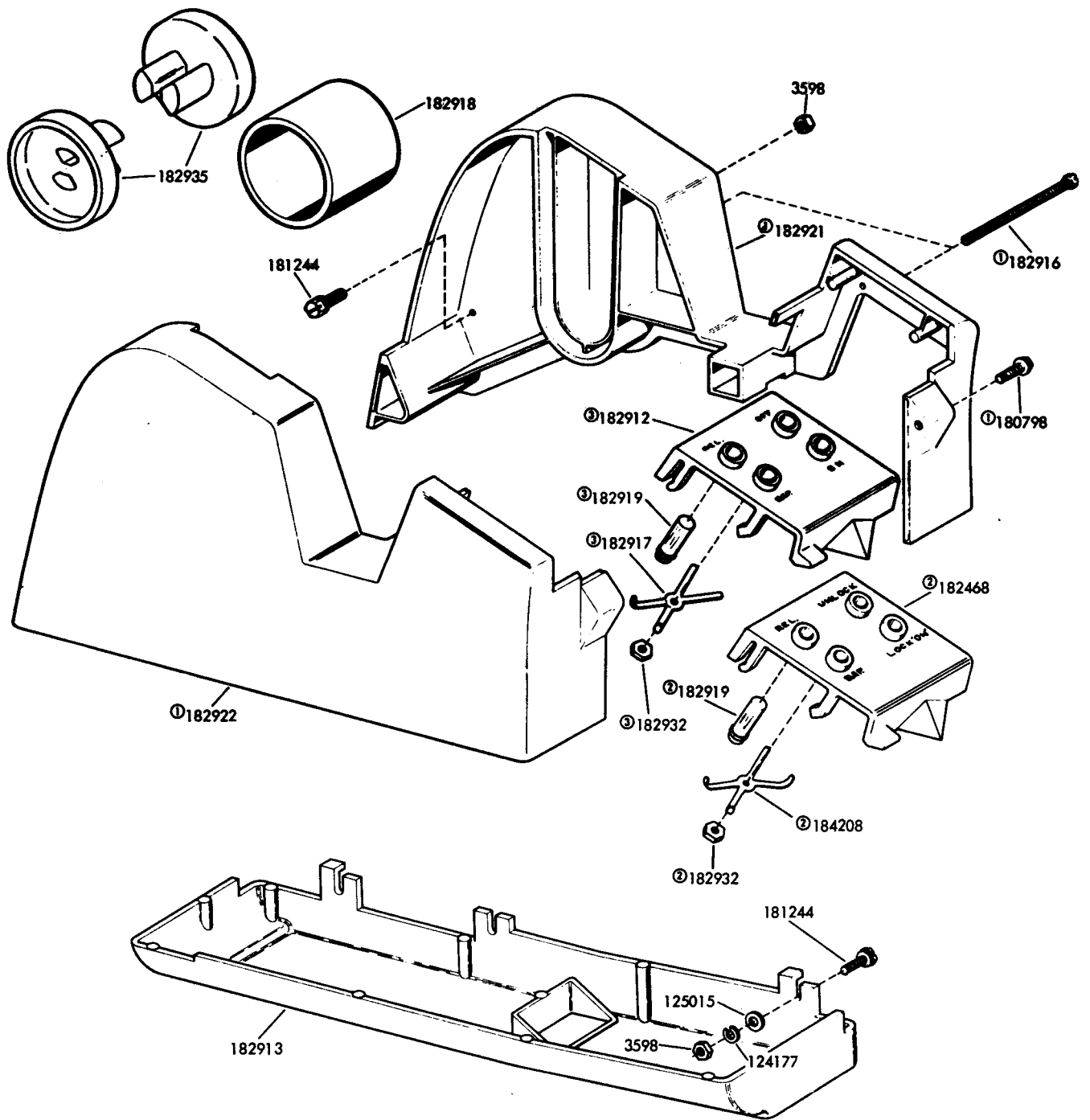
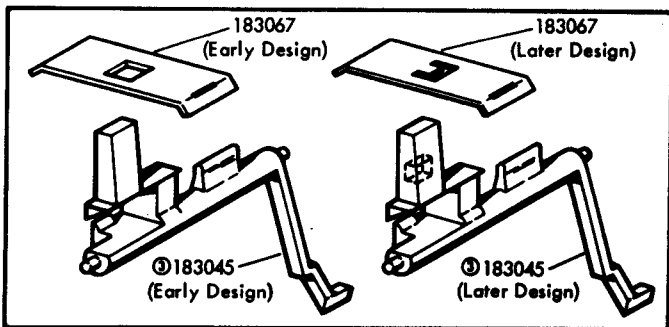
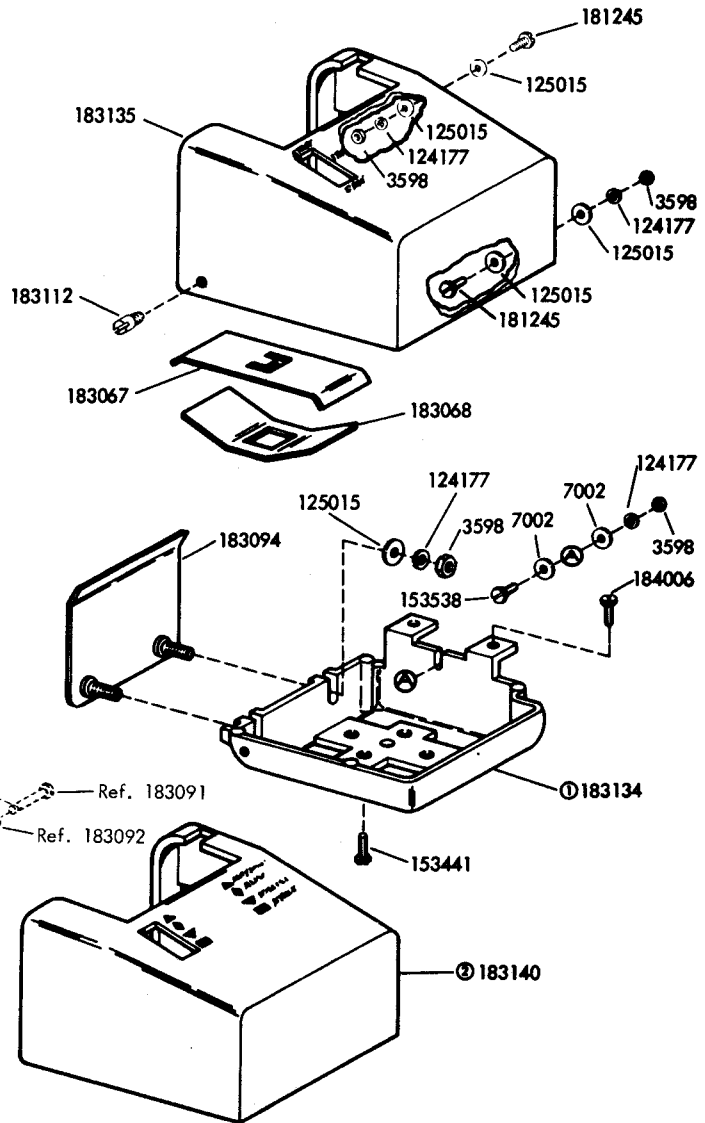
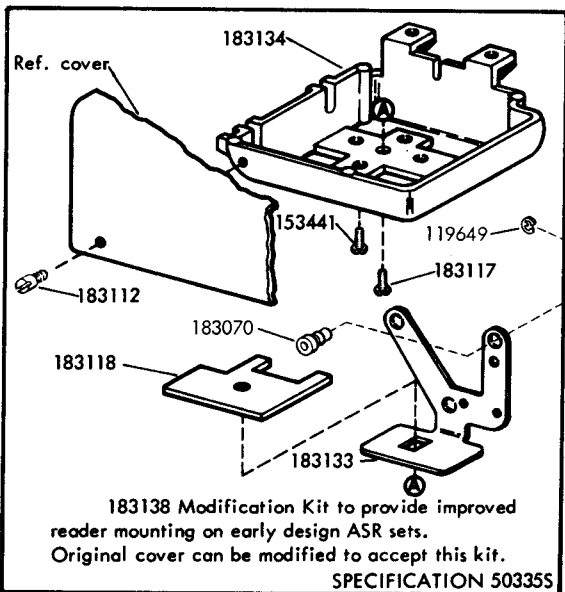
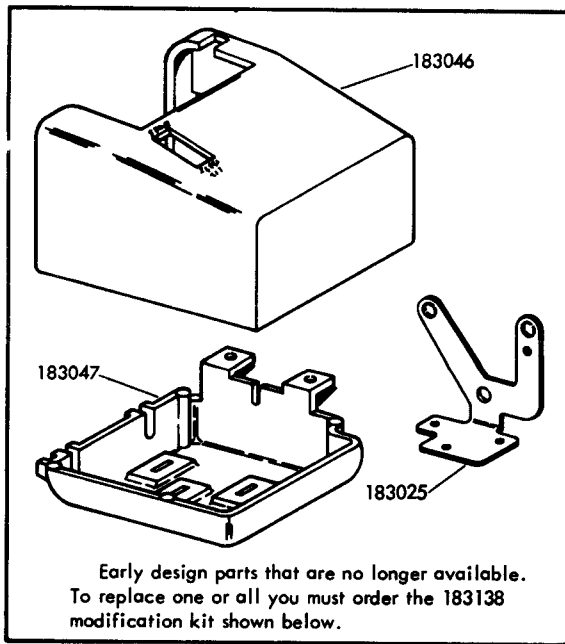


FIGURE 1. PRINTER COVERS



- ① 182926 Cover Assembly
- ② 184206 Lid Assembly (for automatic On-Off control)
- ③ 182109 Lid Assembly (for manual On-Off control)

FIGURE 2. PUNCH COVER AND BASE



① A new 185700 laminated sheet steel base has been designed to replace the three individual castings mounting the typing unit with motor, keyboard and associated call control unit, the perforator, and the reader. However, the 183134 base (shown on this figure) is still available for replacement purposes

② Automatic reader control cover.

③ The 183067 shield and the 183045 start & stop lever have been redesigned but retain their original numbers. The new style lever can be used with the old style shield but the new style shield must be used with the new style lever

FIGURE 3. READER COVER AND BASE

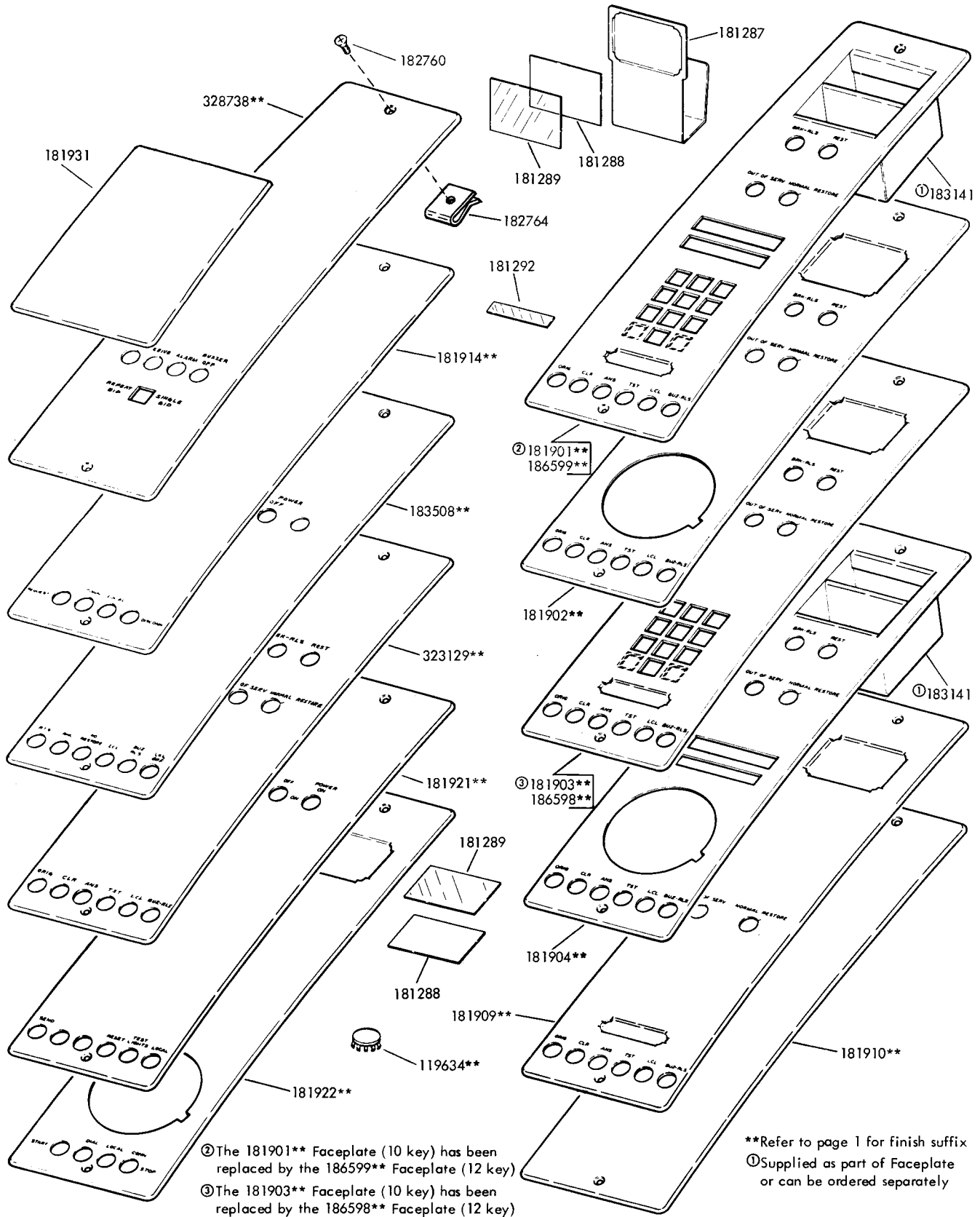


FIGURE 4. FACEPLATES

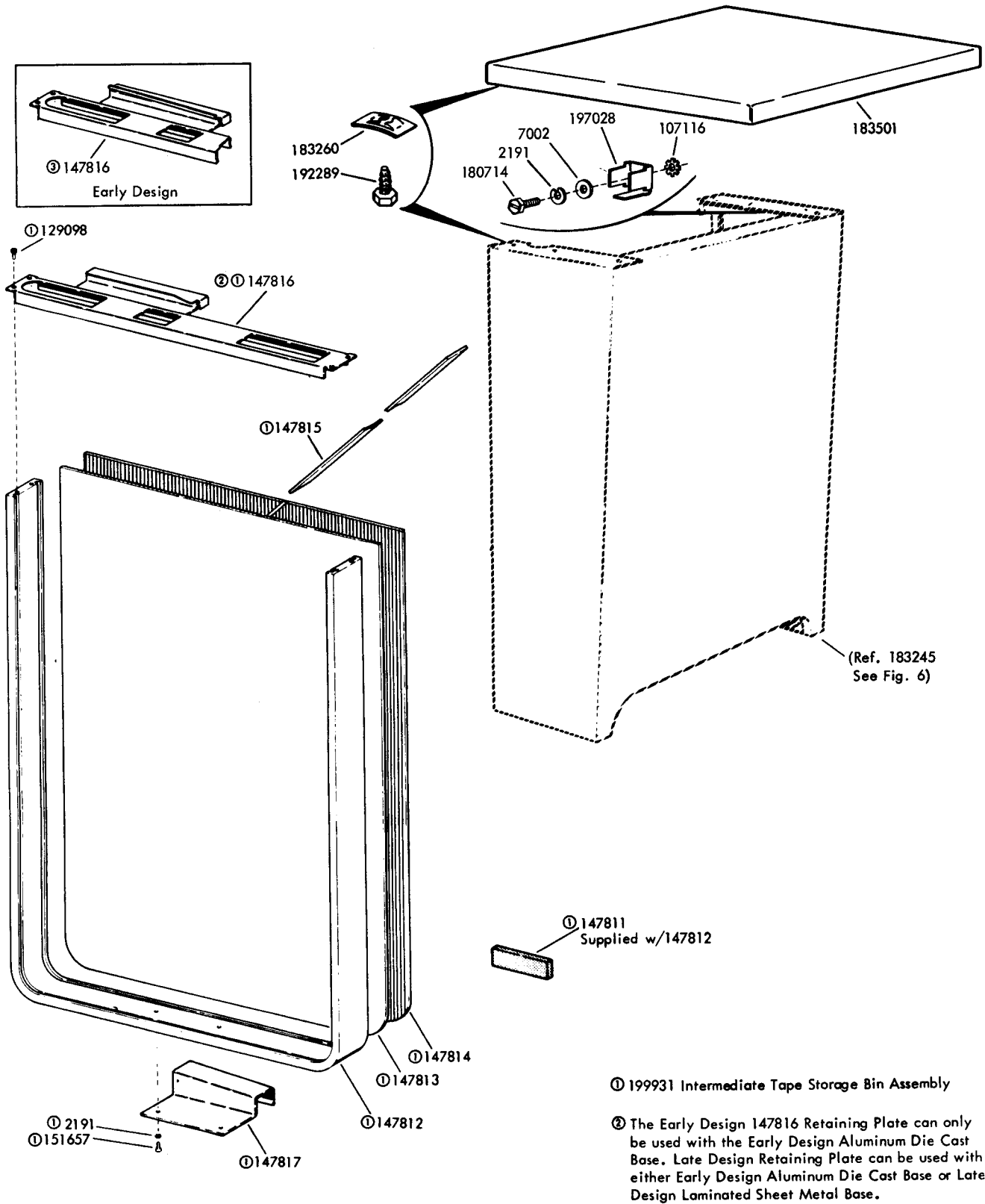
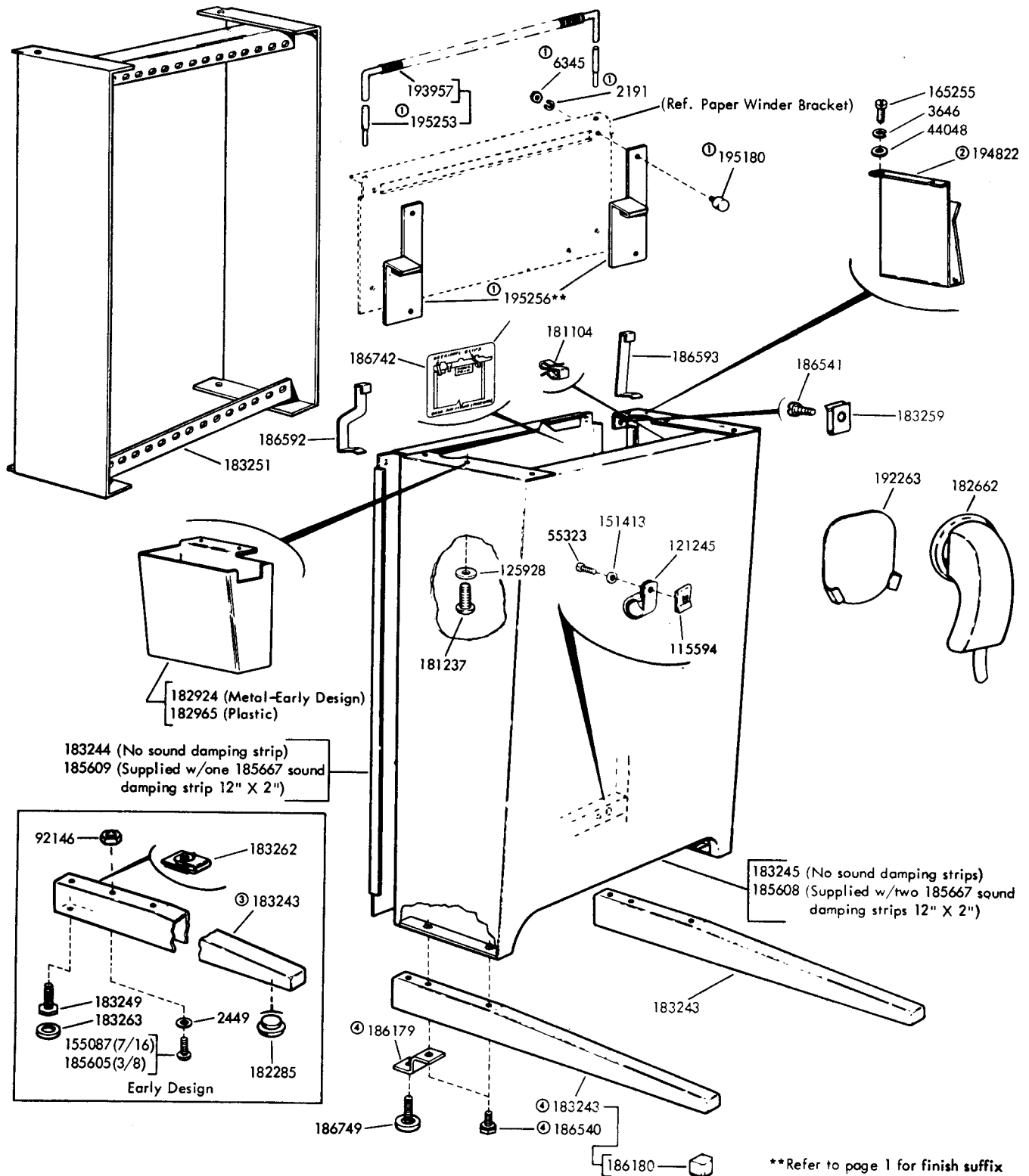


FIGURE 5. COVER AND TAPE STORAGE BIN

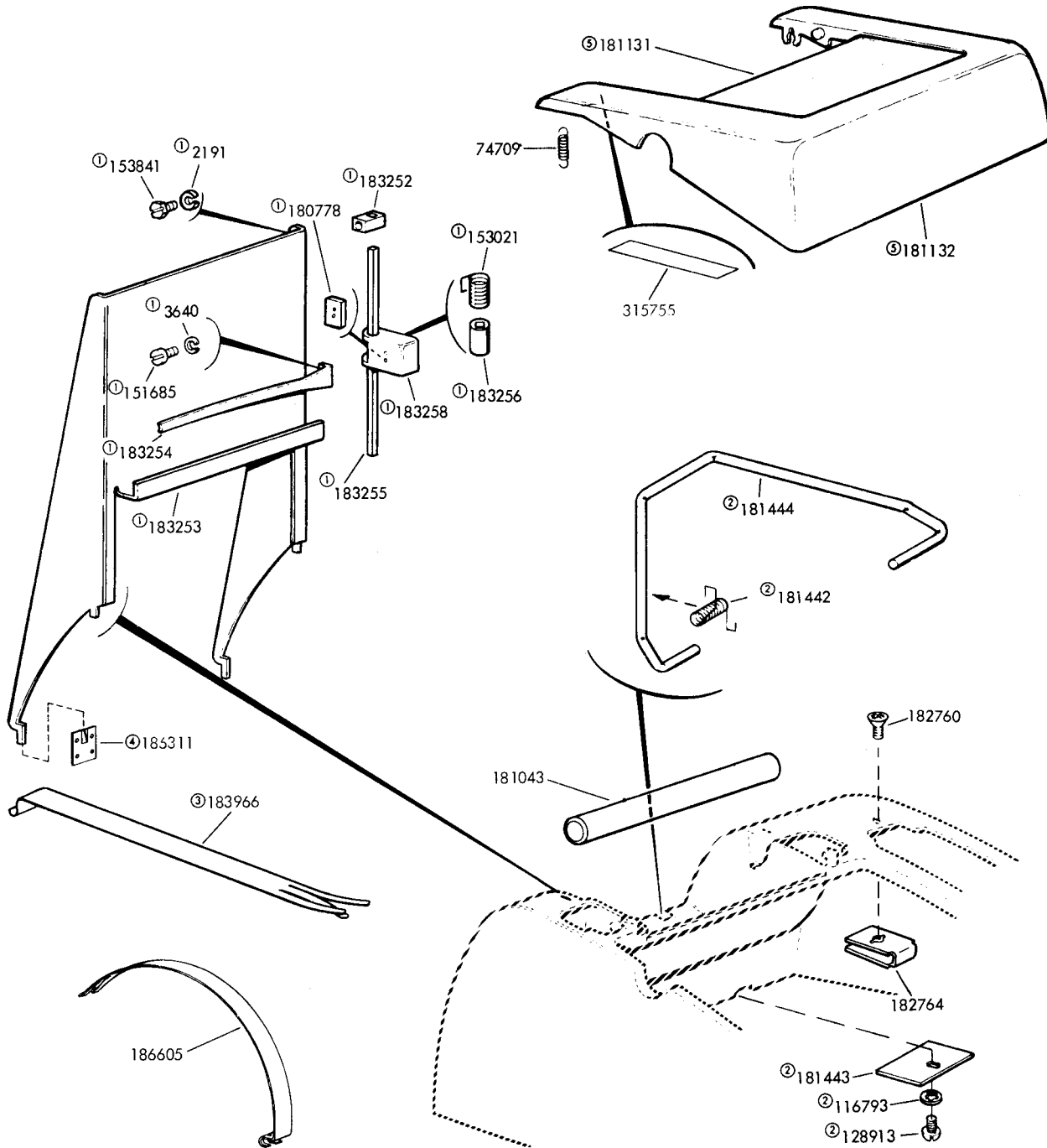


- ① 195259** Modification Kit to add Paper Winder to Cabinet
- ② The 194822 Directory Holder has been changed by including two 6 inch strips of double sided adhesive backed tape, eliminating the need for mounting hardware.

- ③ The Early Design 183243 Foot w/Brackets is no longer available. When replacing an Early Design Foot w/Brackets, order the 186203 Set of Parts.
- ④ 186203 Set of Parts to provide replacement Foot w/Bumper

**Refer to page 1 for finish suffix

FIGURE 6. CABINET



① 182036 Copyholder Assembly

② Used with Sets having Low Paper Alarm

③ No longer available. Order 186605 Paper Deflector

④ 186312 SOP to Provide Cover Repair Bracket for Copyholder

⑤ The 181131 Lid Window has been redesigned by adding nine holes to enable heat staking to the Lid rather than cementing as on the Early Design. Early and Late Design Lids w/ Window are interchangeable. If however, a Late Design Lid w/Window needs a replacement Window, a 181132 Lid w/Window must be ordered.

FIGURE 7. LID AND COPYHOLDER

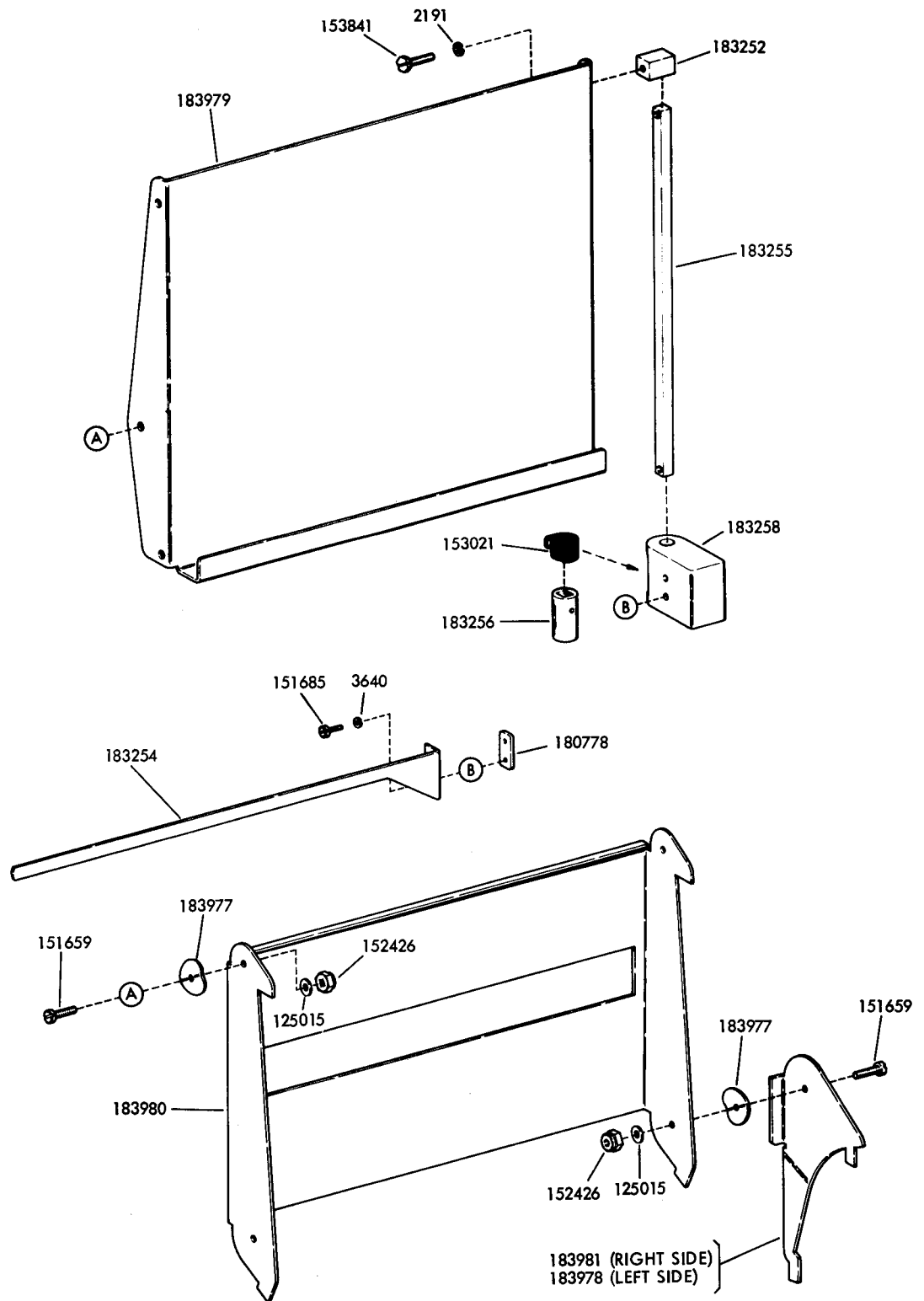


FIGURE 8. 183976 ADJUSTABLE COPYHOLDER ASSEMBLY

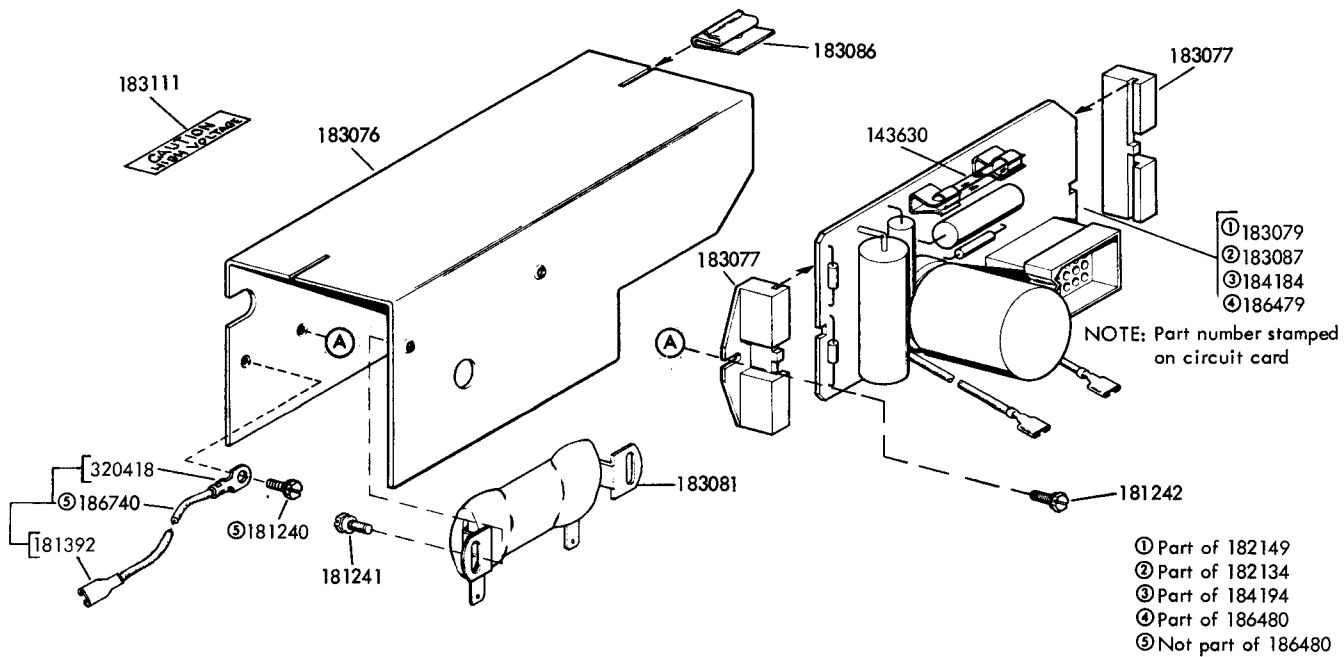


FIGURE 9. 182134, 182149, 184194 AND 186480 POWER PACK ASSEMBLIES

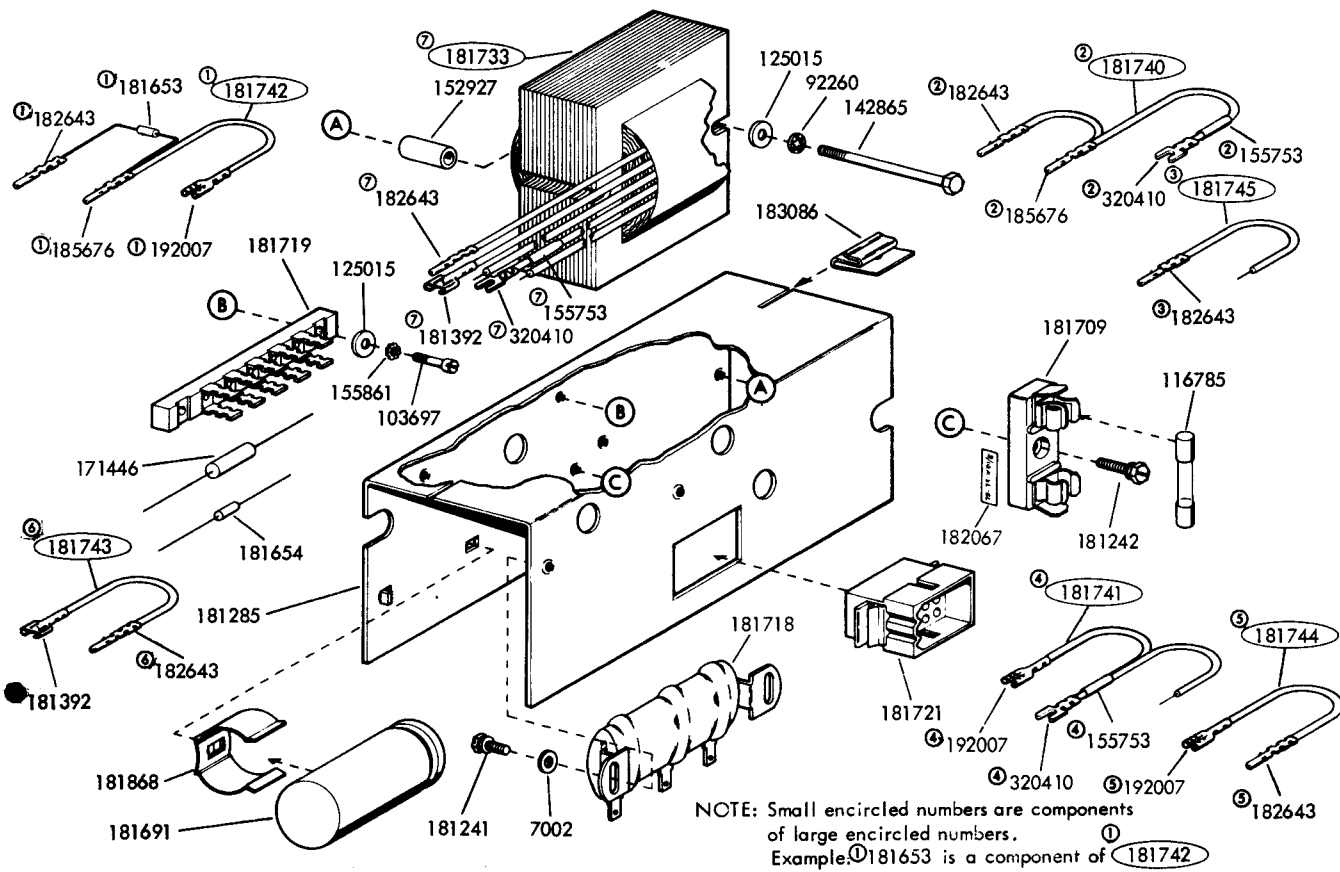


FIGURE 10. 181720 POWER PACK ASSEMBLY

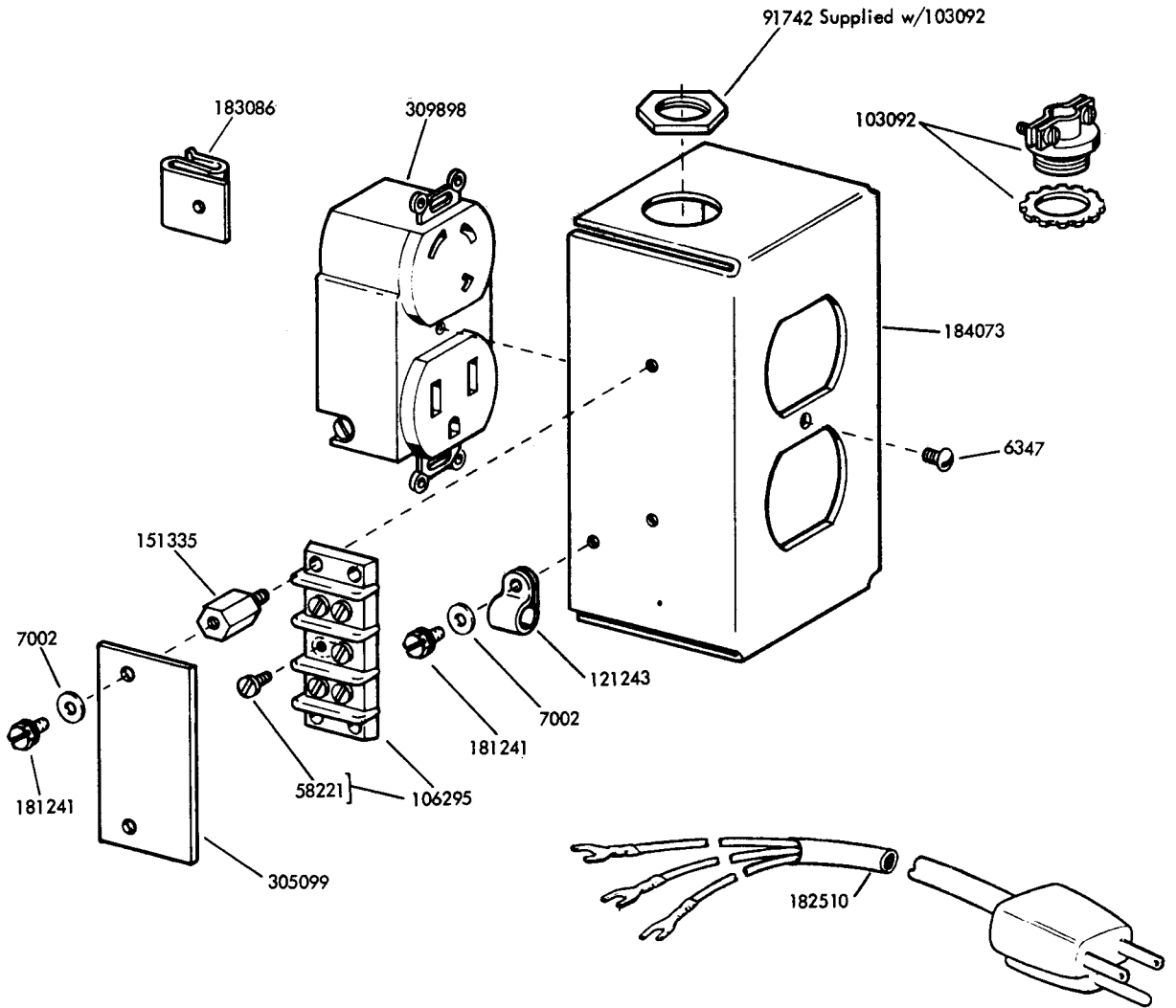
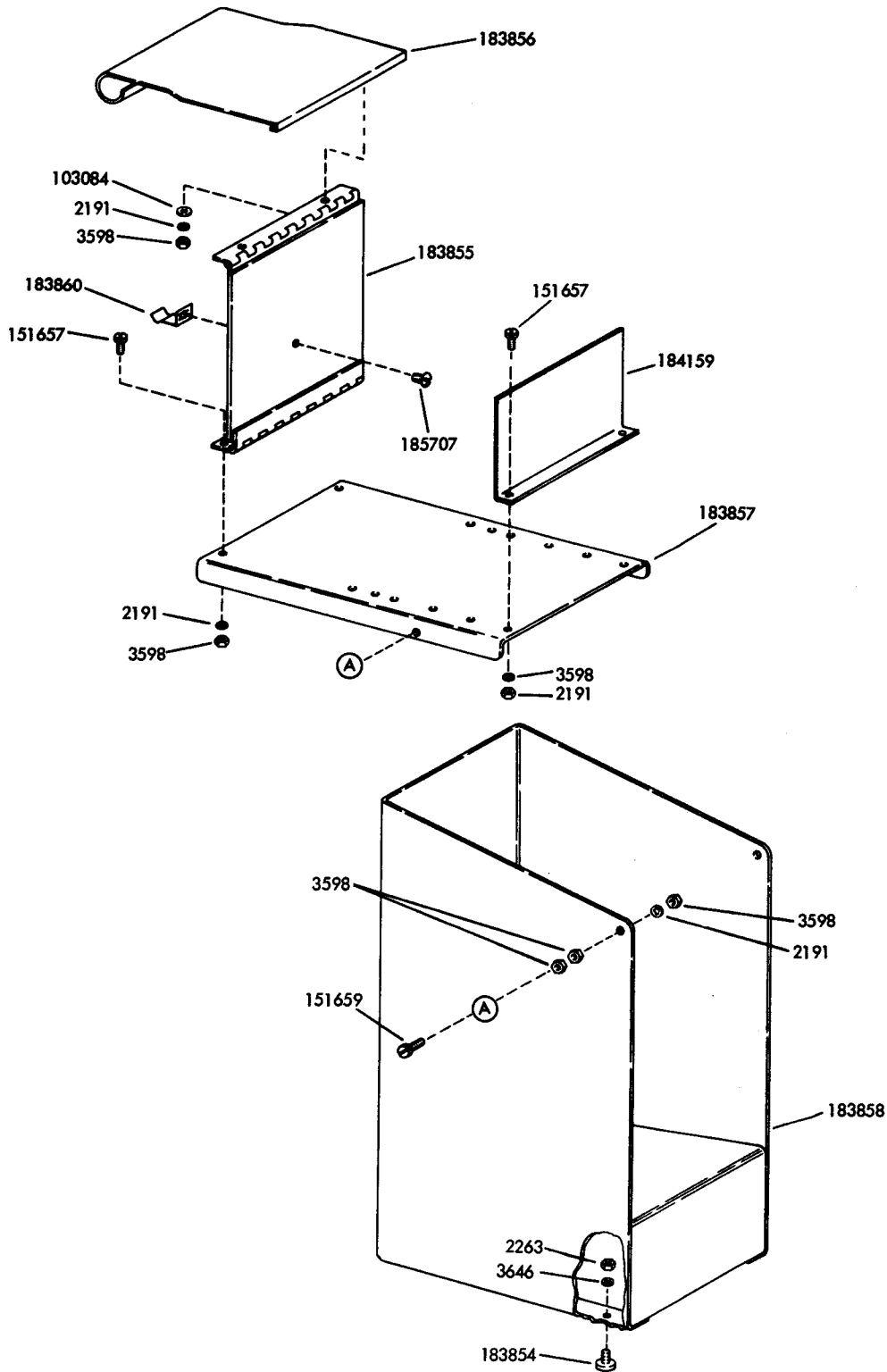


FIGURE 11. 184074 OUTLET BOX ASSEMBLY



Specification 504335

FIGURE 12. 183859 MODIFICATION KIT TO PROVIDE PAPER SUPPLY AND ACCUMULATING SHELF

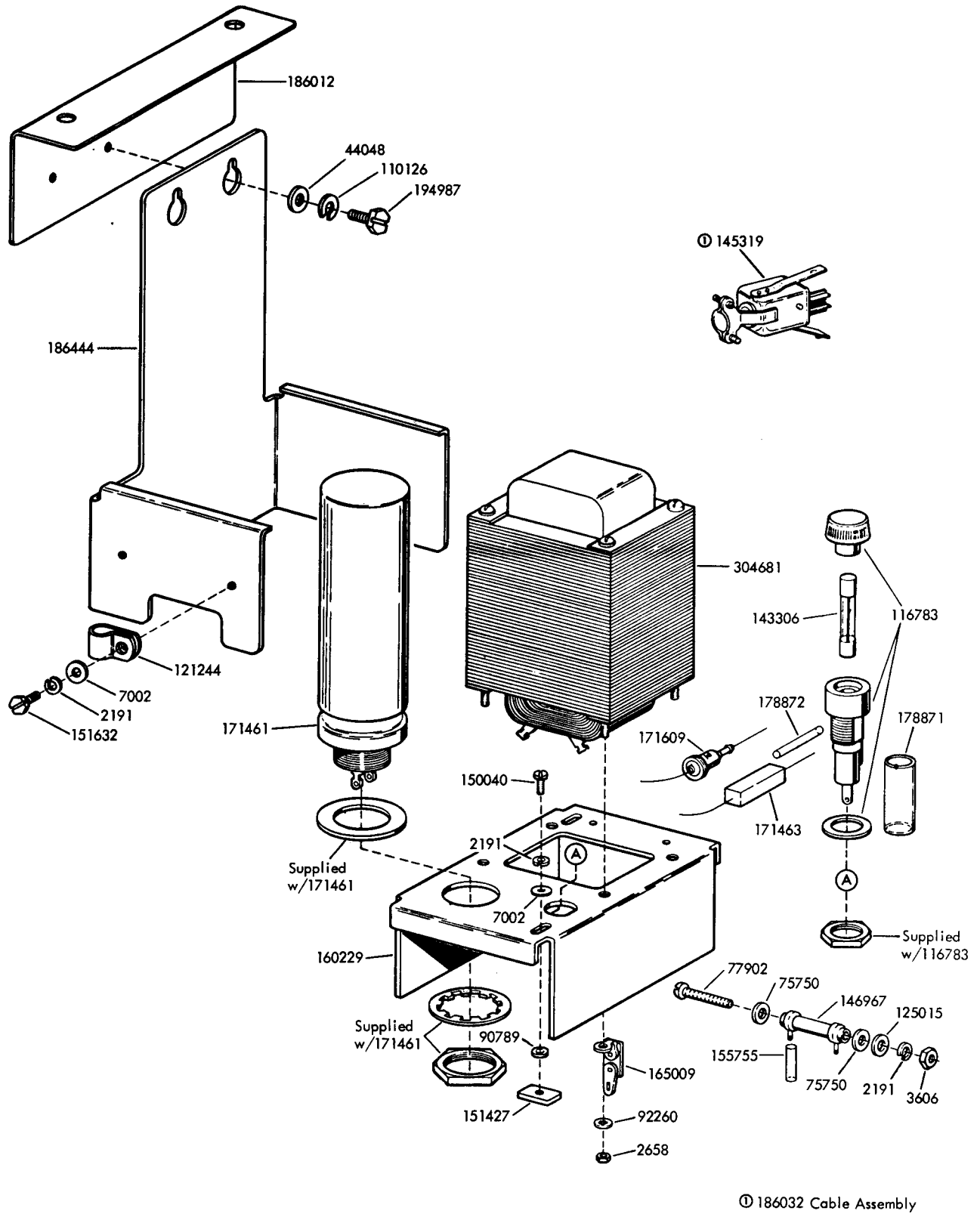
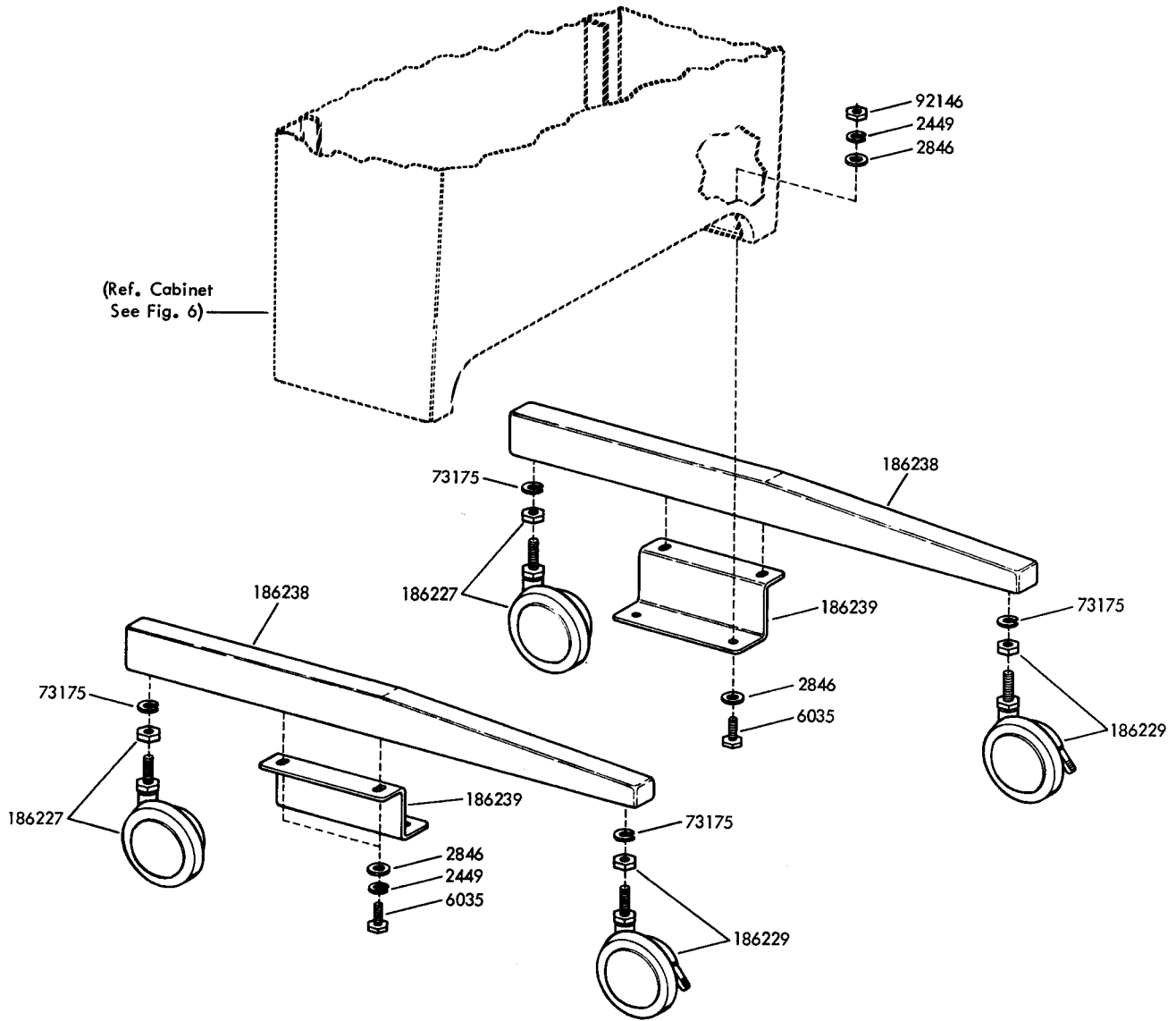


FIGURE 13. 186031 RECTIFIER ASSEMBLY



Specification 50626S

FIGURE 14. 186226 MODIFICATION KIT TO PROVIDE MOBILITY FOR CABINET

NUMERICAL INDEX

| Part Number | Description and Page Number | Part Number | Description and Page Number | Part Number | Description and Page Number |
|-------------|-----------------------------|-------------|---|-------------|--|
| 2191 | Lockwasher 6,7,8,9,12,13 | 143630 | Fuse, .75 Amp 10 | 181043 | Spindle, Paper Roll 8 |
| 2263 | Nut, 8-32 Hex 12 | 145319 | Receptacle, 4 Pt Plug 13 | 181104 | Clip, Cable 7 |
| 2449 | Lockwasher 7,14 | 146967 | Resistor, 750 Ohm 13 | 181131 | Window, Lid 8 |
| 2658 | Nut, 6-32 Hex 13 | 147811 | Spacer, .250" Thk 6 | 181132 | Lid w/Window 8 |
| 2846 | Washer, Flat 14 | 147812 | Frame, Tape Bin 6 | 181133 | Cover 2 |
| 3598 | Nut, 6-40 Hex 3,4,12 | 147813 | Window, Left Side 6 | 181135 | Nameplate 2 |
| 3606 | Nut, 6-40 Hex 13 | 147814 | Window, Right Side 6 | 181137 | Nameplate 2 |
| 3640 | Lockwasher 8,9 | 147815 | Divider, Tape Bin 6 | 181139 | Label, Designation (Bell) 2 |
| 3646 | Lockwasher 7,12 | 147816 | Plate, Retaining 6 | 181140 | Label, Designation (W.U.) 2 |
| 6035 | Screw, 1/4-20 x 5/8 Hex 14 | 147817 | Guide, Tape Bin 6 | 181141 | Screw, 8-32 Spl 2 |
| 6345 | Nut, 6-32 Hex 7 | 150040 | Screw, 6-40 5/8 Fil 13 | 181148 | Nameplate 2 |
| 6347 | Screw, 6-32 x 3/8 Rd 11 | 151335 | Stud 11 | 181237 | Screw, 1/4-14 Self-Tapping 7 |
| 7002 | Washer, Flat 4,6,10,11,13 | 151413 | Washer, Flat 7 | 181240 | Screw w/Lockwasher, 6-40 x 3/16 Hex 10 |
| 44048 | Washer, Flat 13 | 151427 | Plate, Clamp 13 | 181241 | Screw w/Lockwasher, 6-40 x 1/4 Hex 10,11 |
| 55323 | Screw, 8-32 x 1/2 Rd 7 | 151632 | Screw, 6-40 x 3/8 Hex 13 | 181242 | Screw w/Lockwasher, 6-40 x 5/16 Hex 10 |
| 58221 | Screw, 6-32 x 1/4 Fil 11 | 151657 | Screw, 6-40 x 1/4 Fil 6,12 | 181244 | Screw w/Lockwasher, 6-40 x 7/16 Hex 3 |
| 73175 | Lockwasher 14 | 151659 | Screw, 6-40 x 1/2 Fil 9,12 | 181245 | Screw w/Lockwasher, 6-40 x 1/2 Hex 4 |
| 74709 | Spring 8 | 151685 | Screw, 4-40 x 5/16 Fil 8,9 | 181285 | Cover, Mounting 10 |
| 75750 | Washer, Insulating 13 | 152426 | Nut, 6-40 Self-Locking 9 | 181287 | Holder, Card 5 |
| 77902 | Screw, 6-40 x 2-3/8 Rd 13 | 152927 | Bushing 10 | 181288 | Label, White 5 |
| 90789 | Washer, Flat 13 | 153021 | Spring, Torsion 8,9 | 181289 | Window, Plastic 5 |
| 91742 | Nut, Lock 11 | 153441 | Screw, 10-32 x 7/16 Hex 4 | 181292 | Window, Plastic 5 |
| 92146 | Nut, 1/4-20 Hex 7,14 | 153538 | Screw, 6-40 x 7/16 Hex 4 | 181392 | Terminal, Tab Type 10 |
| 92260 | Lockwasher 10,13 | 153841 | Screw, 6-40 x 9/16 Hex 8,9 | 181442 | Spring, Torsion 8 |
| 103084 | Washer, Flat 12 | 155087 | Screw, 1/4-20 x 7/16 Rd 7 | 181443 | Plate, Clamp 8 |
| 103092 | Connector, Cord 11 | 155753 | Sleeve, 1/8 ID x 1/2" Lg Insulating 10 | 181444 | Rod, Sensing 8 |
| 103697 | Screw, 4-40 x 7/16 Fil 10 | 155755 | Sleeve, 11/64 ID x 5/8" Lg Insulating 13 | 181653 | Diode 10 |
| 106295 | Block, Terminal 11 | 155861 | Lockwasher 10 | 181654 | Diode 10 |
| 107116 | Lockwasher 6 | 160229 | Plate, Mounting 13 | 181691 | Capacitor, 150 MFD 10 |
| 110126 | Lockwasher 13 | 165009 | Terminal 13 | 181709 | Holder, Fuse 10 |
| 115594 | Nut, Speed 7 | 165255 | Screw, No. 8 Spl 7 | 181718 | Resistor, 2,000 - 10,000 Ohms 10 |
| 116783 | Holder, Fuse 13 | 171446 | Resistor, 120 Ohm 10 | 181719 | Strip, Terminal 10 |
| 116785 | Fuse, .3 Amp 10 | 171461 | Capacitor, 900 MFD 13 | 181720 | Power Supply 1,10 |
| 116793 | Lockwasher 8 | 171463 | Resistor, 1 Ohm 13 | 181721 | Connector, 12 Pt Plug Type 10 |
| 119634** | Button, Plug 5 | 171609 | Diode 13 | 181733 | Transformer 10 |
| 119649 | Ring, Retaining 4 | 178871 | Sleeve, 1/2 ID x 1-1/8" Lg Insulating 13 | 181740 | Cable Assembly 10 |
| 121243 | Clamp, 3/16" ID Cable 11 | 178872 | Sleeve, 1/16 ID x 1-1/4" Lg Insulating 13 | 181741 | Cable Assembly 10 |
| 121244 | Clamp, 1/4 ID Cable 13 | 180714 | Screw, No.6 Self-Tapping 6 | 181742 | Cable Assembly 10 |
| 121245 | Clamp, 5/16" ID Cable 7 | 180778 | Plate 8,9 | 181743 | Cable Assembly 10 |
| 124177 | Lockwasher 3,4 | 180798 | Screw, 8-32 Self-Tapping 3 | 181744 | Cable Assembly 10 |
| 125015 | Washer, Flat 3,4,9,10,13 | | | | |
| 125928 | Washer, Flat 7 | | | | |
| 128913 | Screw, 8-32 Self-Tapping 8 | | | | |
| 129098 | Screw, 6-40 x 11/32 Flat 6 | | | | |
| 142865 | Screw, 6-40 x 2-1/32 Hex 10 | | | | |
| 143306 | Fuse, SL-BL 1 Amp 13 | | | | |

**Refer to page 1 for finish suffix

NUMERICAL INDEX (Continued)

| Part Number | Description and Page Number | Part Number | Description and Page Number | Part Number | Description and Page Number |
|-------------|-----------------------------|-------------|-----------------------------|-------------|------------------------------|
| 181745 | Cable Assembly 10 | 183076 | Bracket, Rectifier 10 | 183980 | Link 9 |
| 181812 | Nameplate 2 | 183077 | Clamp, Circuit Card 10 | 183981 | Bracket, Right 9 |
| 181868 | Clip, Speed 10 | 183079 | Card, Circuit 10 | 184006 | Screw, 8-32 Self-Tapping 4 |
| 181900 | Cover 2 | 183081 | Resistor, 850 Ohm 10 | 184035 | Label, Designation 2 |
| 181901** | Faceplate 5 | 183086 | Clip 10,11 | 184073 | Bracket, Outlet 11 |
| 181902** | Faceplate 5 | 183087 | Card, Circuit 10 | 184074 | Box Assembly, Outlet 1,11 |
| 181903** | Faceplate 5 | 183091 | Post 4 | 184085 | Screw, 8-32 Thumb 2 |
| 181904** | Faceplate 5 | 183092 | Cup 4 | 184159 | Bracket, Back Stop 12 |
| 181909** | Faceplate 5 | 183094 | Plate w/Studs 4 | 184184 | Card, Circuit 10 |
| 181910** | Faceplate 5 | 183111 | Label 10 | 184194 | Power Pack 1,10 |
| 181914** | Faceplate 5 | 183112 | Screw, 4-40 x 9/64 Fil 4 | 184206 | Lid Assembly 3 |
| 181921** | Faceplate 5 | 183117 | Screw, 10-32 x 5/8 Hex 4 | 184208 | Spring 3 |
| 181922** | Faceplate 5 | 183118 | Plate, Clamp 4 | 185605 | Screw, 1/4-14 Self-Tapping 7 |
| 181931 | Faceplate 5 | 183125 | Label 2 | 185608 | Cabinet 7 |
| 182036 | Copyholder Assembly 8 | 183133 | Bracket 4 | 185609 | Panel 7 |
| 182067 | Nameplate 10 | 183134 | Base 4 | 185667 | Strip, Damping 7 |
| 182109 | Lid Assembly 3 | 183135 | Cover 4 | 185676 | Terminal, Plug Type 10 |
| 182134 | Power Pack 1,10 | 183138 | Modification Kit 4 | 185700 | Base 4 |
| 182149 | Power Pack 1,10 | 183140 | Cover 4 | 185707 | Screw, 10-24 x 5/16 Rd 12 |
| 182278 | Support 2 | 183141 | Holder, Card 5 | 185815 | Nameplate 2 |
| 182285 | Bumper, Rubber 7 | 183243 | Foot w/Bumper 7 | 186012 | Bracket 13 |
| 182468 | Lid 3 | 183244 | Panel 7 | 186031 | Rectifier Assembly 1,13 |
| 182510 | Cord, Power 11 | 183245 | Cabinet, Lower 6,7 | 186032 | Cable Assembly 13 |
| 182643 | Terminal, Plug Type 10 | 183249 | Screw, 5/16-18 Spl 7 | 186054 | Nameplate 2 |
| 182662 | Receiver 7 | 183251 | Rack 7 | 186055 | Nameplate 2 |
| 182760 | Screw, 6-32 Spl 5,8 | 183252 | Post 8,9 | 186056 | Nameplate 2 |
| 182764 | Nut, Speed 5,8 | 183253 | Copyholder 8 | 186057 | Nameplate 2 |
| 182912 | Lid 3 | 183254 | Guide, Line 8,9 | 186179 | Bracket 7 |
| 182913 | Base, Cover 3 | 183255 | Shaft 8,9 | 186180 | Bumper, Rubber 7 |
| 182916 | Screw, 8-32 x 2-9/16 Hex 3 | 183256 | Bushing 8,9 | 186202 | Shield 2 |
| 182917 | Spring, Special 3 | 183258 | Handle, Copyholder 8,9 | 186203 | Set of Parts 7 |
| 182918 | Spindle 3 | 183259 | Nut, Speed 7 | 186208 | Cover 2 |
| 182919 | Button 3 | 183260 | Nut, Speed 6 | 186226 | Modification Kit 1,14 |
| 182921 | Cover, Right 3 | 183262 | Retainer, Nut 7 | 186227 | Caster 14 |
| 182922 | Cover, Left 3 | 183263 | Cap, Light Gray 7 | 186229 | Caster w/Brake 14 |
| 182924 | Box, Chad 7 | 183501 | Cover, Stand 6 | 186238 | Foot 14 |
| 182926 | Cover Assembly 3 | 183508** | Faceplate 5 | 186239 | Bracket 14 |
| 182927 | Cover 2 | 183513 | Cover 2 | 186311 | Bracket 8 |
| 182928 | Cover 2 | 183854 | Foot 12 | 186312 | Set of Parts 8 |
| 182932 | Nut, Speed 3 | 183855 | Plate w/Hinges 12 | 186444 | Bracket 13 |
| 182935 | Hub 3 | 183856 | Guide, Paper 12 | 186479 | Card, Circuit 10 |
| 182965 | Box, Chad 7 | 183857 | Shelf, Paper 12 | 186480 | Power Pack 1,10 |
| 183025 | Bracket 4 | 183858 | Bin, Paper Supply 12 | 186540 | Screw, 1/4-20 x 1/4 Spl 7 |
| 183045 | Cover 4 | 183859 | Modification Kit 1,12 | 186541 | Screw, No.8 x 1/2 Spl 7 |
| 183046 | Cover 4 | 183860 | Clip, Spring 12 | 186592 | Clip 7 |
| 183047 | Base 4 | 183966 | Deflector, Paper 8 | 186593 | Clip 7 |
| 183067 | Shield 4 | 183976 | Copyholder Assembly 1,9 | 186598** | Faceplate 5 |
| 183068 | Spring, Shield 4 | 183977 | Washer, Spring 9 | 186599** | Faceplate 5 |
| 183070 | Grommet, Rubber 4 | 183978 | Bracket, Left 9 | | |
| | | 183979 | Copyholder 9 | | |

**Refer to page 1 for finish suffix

NUMERICAL INDEX (Continued)

| Part Number | Description and Page Number | Part Number | Description and Page Number | Part Number | Description and Page Number |
|-------------|------------------------------|-------------|------------------------------|-------------|-----------------------------|
| 186605 | Deflector, Paper 8 | 194822 | Holder, Directory 7 | 304681 | Transformer 13 |
| 186740 | Jumper, 6" Green 10 | 194987 | Screw, 8-32 x 3/8 Hex 13 | 305099 | Cover, Insulating 11 |
| 186742 | Label 7 | 185180 | Bumper, Rubber 7 | 309898 | Outlet, Duplex 11 |
| 186749 | Bolt w/Cap 7 | 195253 | Rack Assembly, Display 7 | 315755 | Label 8 |
| 192007 | Terminal, Tab Type 10 | 195256** | Hanger 7 | 320410 | Terminal, Spade Type 10 |
| 192263 | Holder, Handset 7 | 195259** | Modification Kit 7 | 320418 | Terminal, Ring Type 10 |
| 192289 | Screw, 1/4-14 Self-Tapping 6 | 197028 | Terminal 6 | 323129** | Faceplate 5 |
| 193957 | Spring, Roller 7 | 199931 | Bin Assembly, Tape Storage 6 | 328738** | Faceplate 5 |

**Refer to page 1 for finish suffix

