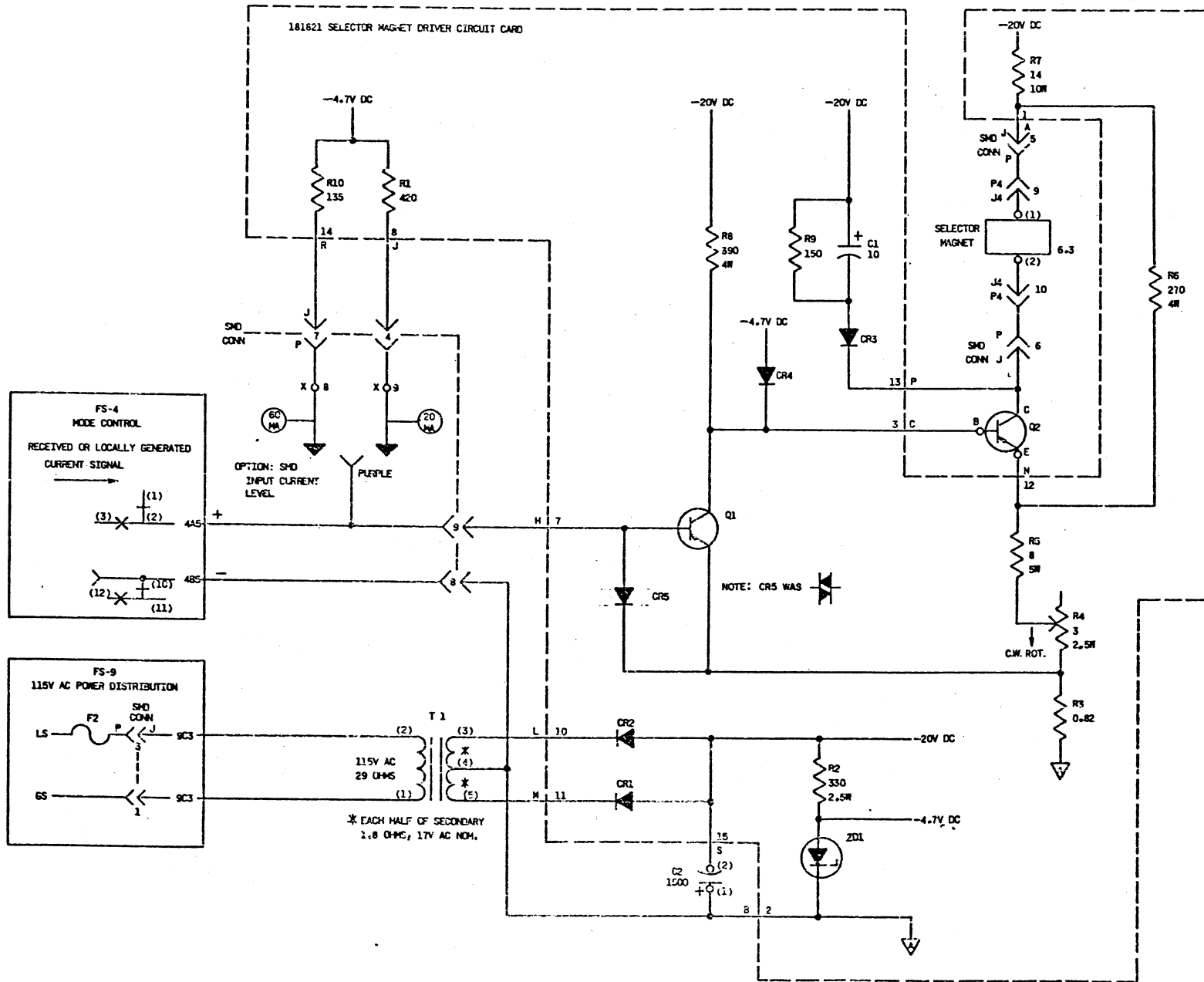
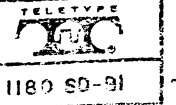


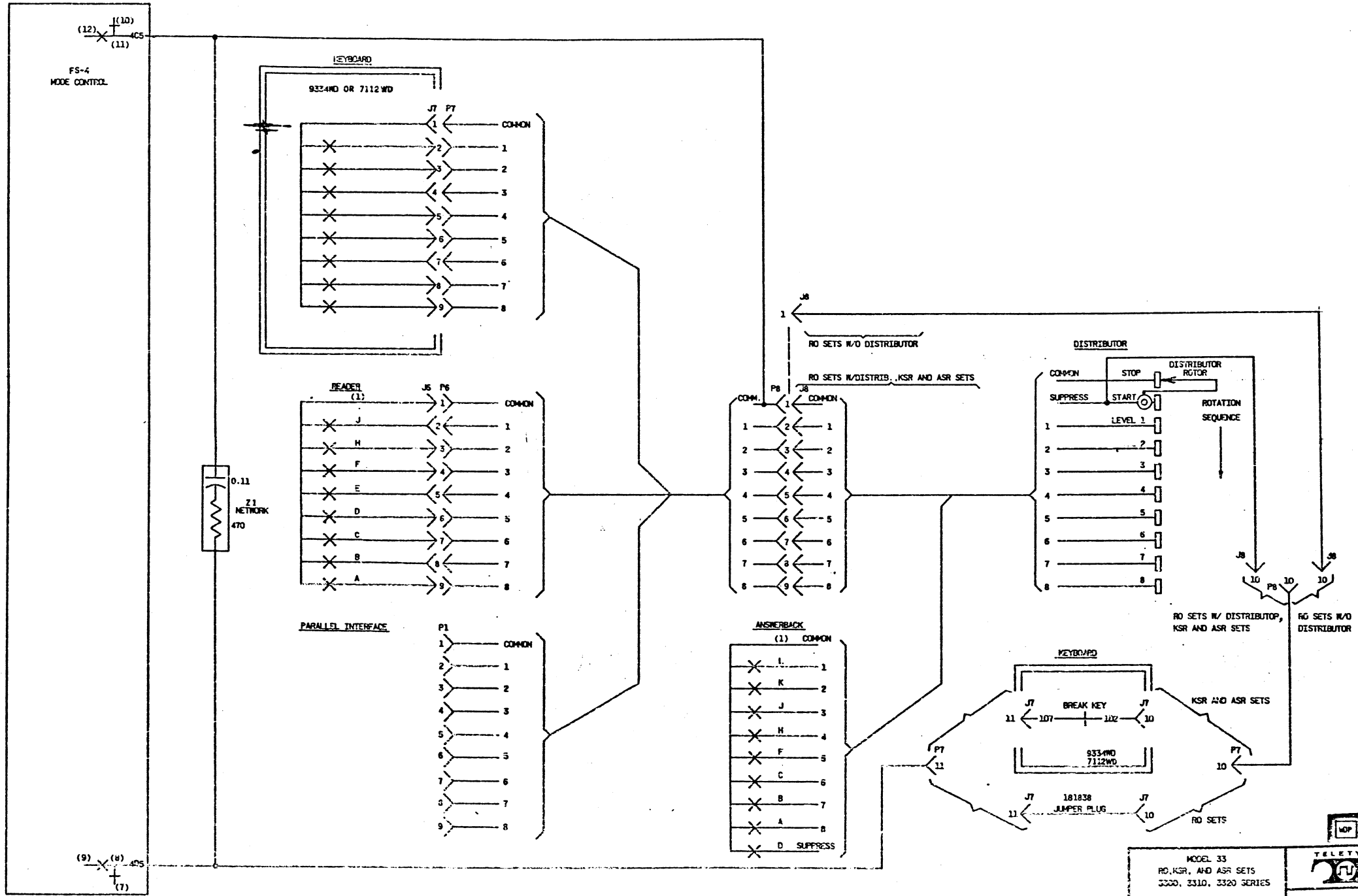
FS-1 RECEIVE



MODEL 33
RO, MSR, AND ASR SETS
3300, 3310, 3320 SERIES



FS-2 SEND CIRCUIT



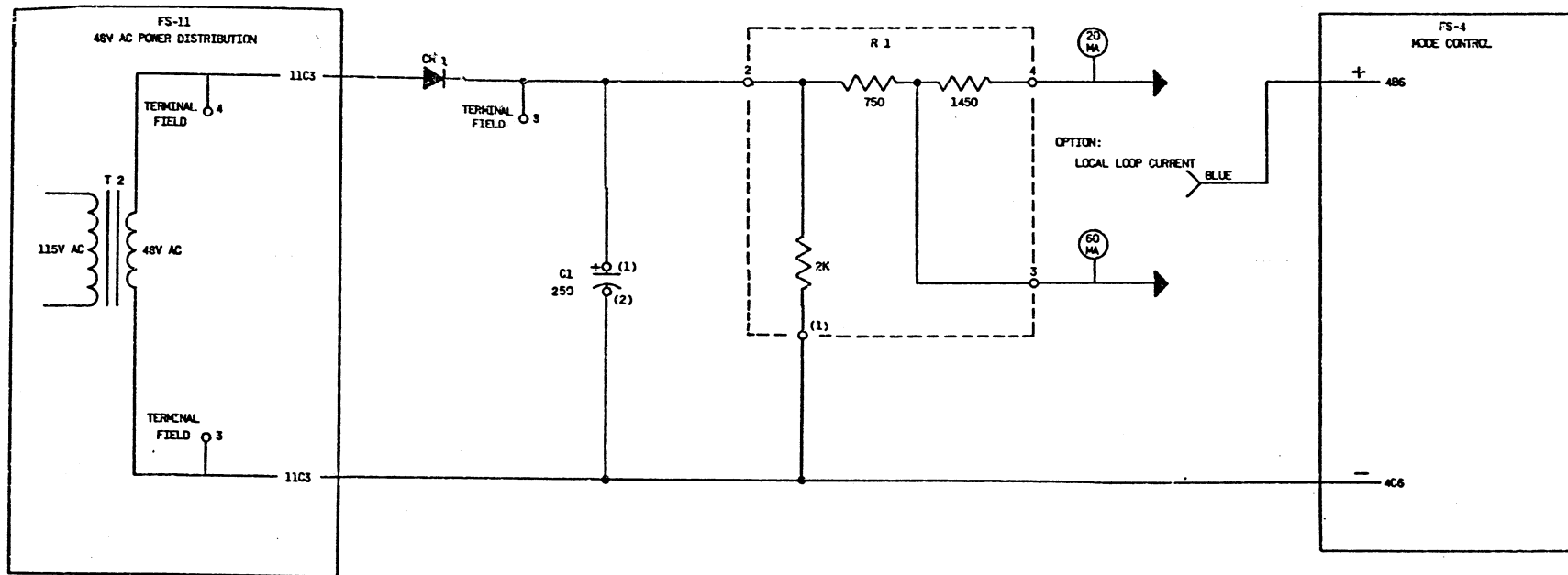
MODEL 33
RO, KSR, AND ASR SETS
3300, 3310, 3320 SERIES



1180 SD-B2

FS-3 LOCAL LOOP CURRENT SUPPLY

ISSUE
1



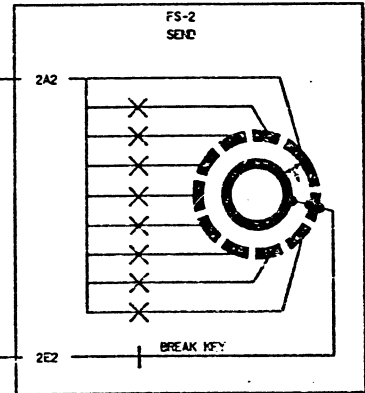
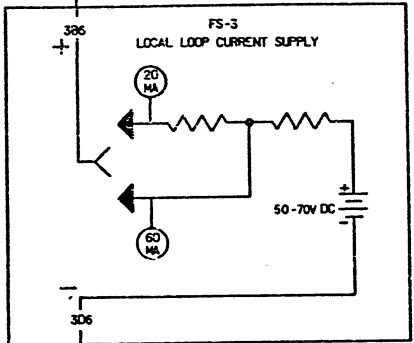
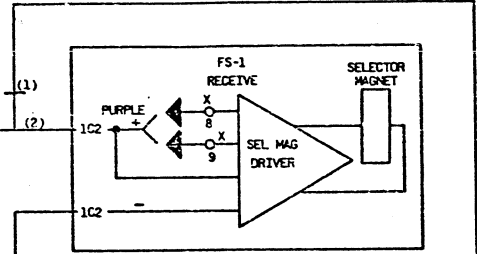
FS-4 MODE CONTROL

SHEET NOTES
1. ALL RELAY CONTACTS ON THIS SHEET ARE PART OF THE MODE CONTROL RELAY. COIL IS SHOWN ON 9C3.

CUSTOMER SERIAL SIGNAL INTERFACE
HALF DUPLEX FULL DUPLEX

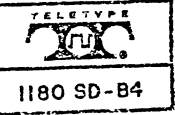
RECEIVE AND SEND
RECEIVE

NOT USED SEND
(NOT POLARITY SENSITIVE)



A
B
C
D
E

MODEL 33
RU, RSR, AND ASR SETS
3300, 3310, 3320 SERIES



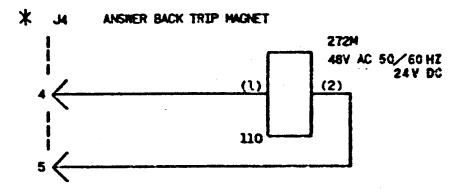
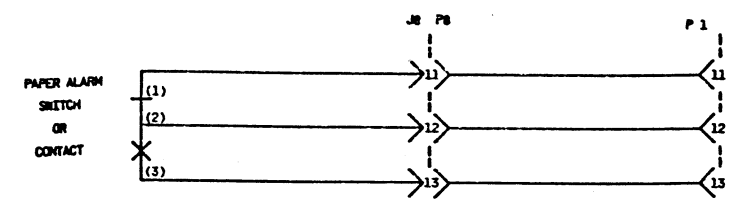
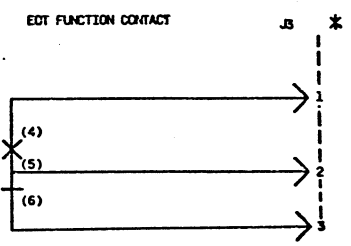
FS-5 AUXILIARY CIRCUITS (FOR CUSTOMER USE)

ISSUE
1
2
3-11-71
5-5-71
5-14-71


PAPER ALARM

	TITLE	CONDITION SIGNALLED	TYPE
PAPER FEED:	LOW PAPER SWITCH	APPROX. 25 FT. OF PAPER LEFT	SNAP ACTION SWITCH
SPROCKET:	PAPER OUT CONTACT	END OF LAST FORM	CONTACT PAIR

	LOCATION	CONTACT RATING
FRICITION:	IN FRONT OF MOTOR FAN	
SPROCKET:	NEAR LEFT END OF PLATEN	



* CUSTOMER ACCESS TO THE PINS SHOWN IS TO BE MADE FROM INSIDE THE CALL CONTROL UNIT BACK PLATE, USING 182644 (22-28 AWG) OR 185677 (18-20 AWG) FEMALE TERMINALS.

MODEL 33 RO, MSR, AND ASR SETS 3300, 3310, 3320 SERIES	 1180 SD-B5
--	--