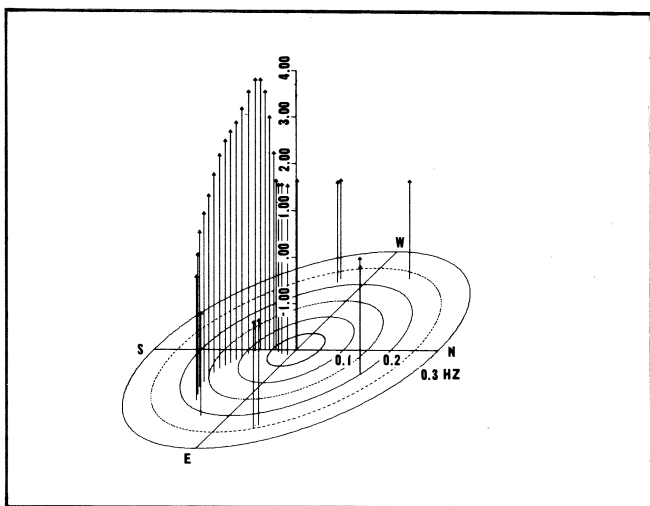
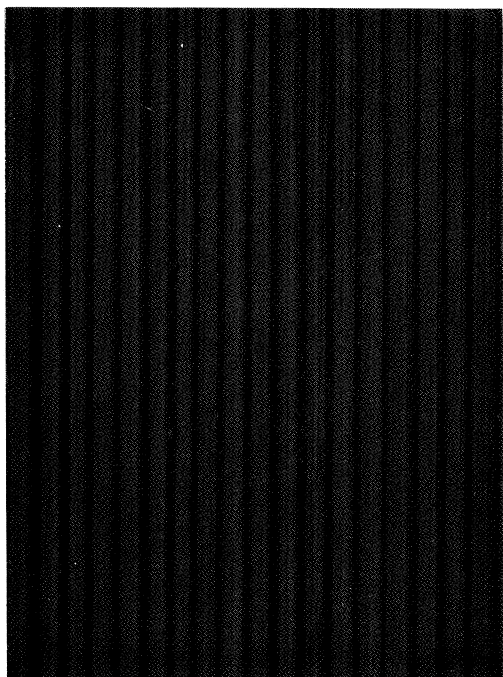
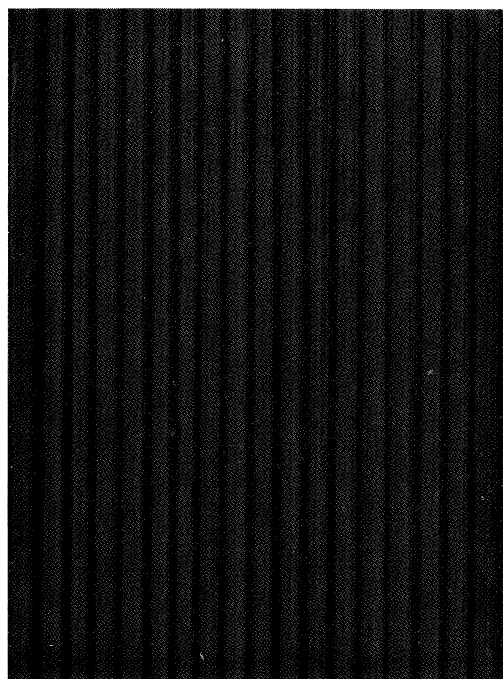


# INSTRUCTION MANUAL for the MODEL 563



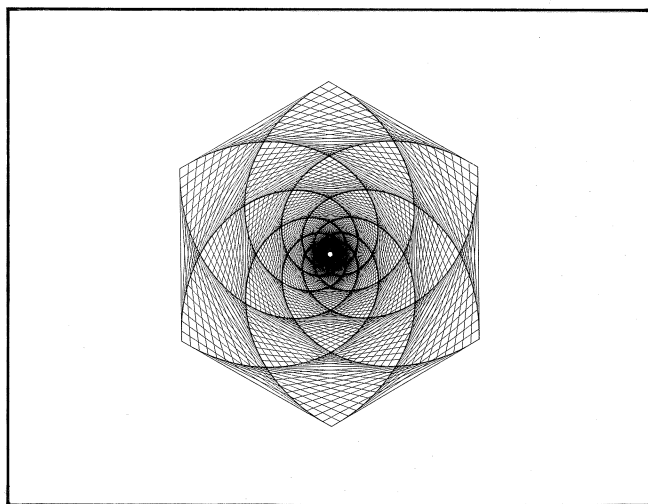
CALCOMP

CALCOMP



CALCOMP

CALCOMP





**MODEL 563  
DIGITAL INCREMENTAL PLOTTER  
INSTRUCTION MANUAL**

**DECEMBER 1969**



**CALIFORNIA COMPUTER PRODUCTS, INC.  
2411 West La Palma Anaheim, California 92801**

Copyright © 1969, by  
CALIFORNIA COMPUTER PRODUCTS, INC.

This document contains proprietary information of California Computer Products, Inc. (Company) and is submitted in confidence. Recipient agrees not to disclose or use the information contained herein except in connection with Company products, or reproduce in whole or in part without written permission from the Company.

Printed in the United States of America

## CONTENTS

<u>Section</u>	<u>Title</u>	<u>Page</u>
1	GENERAL DESCRIPTION	
	1.1 Introduction . . . . .	1
	1.2 Functional Description . . . . .	1
2	INSTALLATION	
	2.1 Introduction. . . . .	5
	2.2 Unpacking . . . . .	5
	2.3 Inspection . . . . .	5
	2.4 Cable Fabrication . . . . .	5
	2.5 Installation of Chart Paper . . . . .	5
	2.6 Installation of Pen . . . . .	6
	2.7 Installation Precautions . . . . .	6
3	THEORY OF OPERATION	
	3.1 General . . . . .	7
	3.2 Detailed Theory . . . . .	7
	3.2.1 Step Motors . . . . .	9
	3.2.2 Reversible Ring Counters . . . . .	9
	3.2.3 One-Shot (Clock Pulse Multivibrators) . . . . .	10
	3.2.4 Pen Solenoid Control Circuit . . . . .	11
	3.2.5 Drum and Carriage Manual Control Circuits . . . . .	12
	3.2.6 Pen Solenoid Manual Control Circuit . . . . .	13
	3.2.7 AC Power Distribution and DC Power Supply . . . . .	13
4	OPERATING INSTRUCTIONS	
	4.1 Introduction . . . . .	19
	4.2 Control Functions . . . . .	19
	4.2.1 Power On/Off . . . . .	19
	4.2.2 Carriage Fast Run . . . . .	19
	4.2.3 Carriage Single Step . . . . .	19
	4.2.4 Chart Drive-On/Off . . . . .	19
	4.2.5 Pen Up/Down . . . . .	19
	4.2.6 Drum Fast Run . . . . .	19
	4.2.7 Drum Single Step . . . . .	19
	4.3 Operating Procedures . . . . .	20
	4.3.1 Installation of Chart Roll . . . . .	20
	4.3.2 Installation of Single Sheet Chart Paper . . . . .	21
	4.3.3 Operational Checkout . . . . .	21
	4.3.4 Scale Factor Adjustment . . . . .	21
	4.3.5 Reticles . . . . .	22
	4.3.6 Automatic Operation . . . . .	23
	4.3.7 Removal of Chart Paper . . . . .	23