

<b>DIGITAL EQUIPMENT CORPORATION</b> MAYNARD, MASSACHUSETTS		DATE 11/19/74			
<b>ENGINEERING SPECIFICATION</b>					
TITLE FIELD INSTALLATION & ACCEPTANCE PROCEDURE FOR DKC8-A					
REVISIONS					
REV	DESCRIPTION	CHG NO	DATE	APPD BY	DATE
ENG. <i>Mahe</i> 12/20/74		APPD	<i>Paul W.</i>	NUMBER	REV
DEC 16-1022-1022-N370		DMA 108		DKC8-A-1	1 OF 4

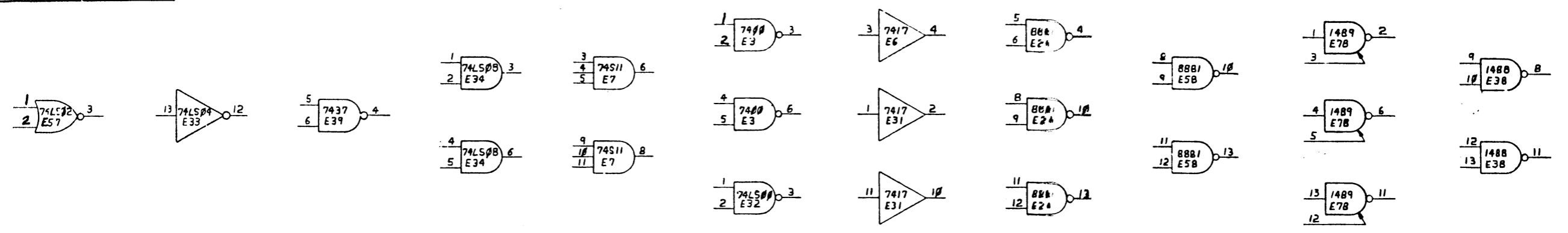
<b>ENGINEERING SPECIFICATION</b>		CONTINUATION SHEET	
TITLE FIELD INSTALLATION & ACCEPTANCE PROCEDURE FOR DKC8-A			
I GENERAL			
This procedure defines the performance standard required of the DKC8*, option board #1. This procedure refers to both system acceptance and add-on acceptance.			
NOTE: If DKC8 was shipped as part of a PDP-8A system, proceed to installation procedure.			
<ul style="list-style-type: none"> <li>• Serial Line Unit</li> <li>• Real Time Clock</li> <li>• Parallel I/O</li> <li>• Programmer's Console Logic</li> </ul>			
II INSPECTION			
After removing the DKC8 from the packing material, inspect the module for the following:			
<ol style="list-style-type: none"> <li>1. Inventory hardware against shipping list.</li> <li>2. Inventory software against software list, if ordered.</li> <li>3. Inventory prints against shipping list, if ordered.</li> <li>4. Check hardware for loose or broken components.</li> </ol>			
III INSTALLATION PROCEDURE			
Install the equipment using the following procedure:			
<ol style="list-style-type: none"> <li>1. Set up switches as indicated by the diagnostic write up. <ul style="list-style-type: none"> <li>SI-1 thru SI-3 "ON" 9600 baud</li> <li>SI-4 "ON" Normally "ON"</li> <li>SI-5 "ON" Real Time Clock Enable</li> <li>SI-6 "ON" Normally "ON"</li> <li>SI-7 "ON" One Stop Bit</li> <li>SI-8 "OFF" Disable TTY 20 MA Filter</li> </ul> </li> </ol>			
NOTE: Reference Operator's Handbook for switch setting descriptions.			
<ol style="list-style-type: none"> <li>2. Insert TTY loop back cable (DEC Part #7008517) on DKC8.</li> <li>3. Insert parallel I/O cable loop back cable (DEC Part # BC08R-1) on DKC8.</li> </ol>			
DEC FORM NO		REV	
DMA 108		DKC8-A-1	
DEC 16-1022-1022-N370		SHEET 2 OF 4	

<b>ENGINEERING SPECIFICATION</b>		CONTINUATION SHEET	
TITLE FIELD INSTALLATION AND ACCEPTANCE PROCEDURE FOR DKC8-A			
<p style="text-align: center;">*** INSTALLATION PROCEDURE (continued) ***</p> <ol style="list-style-type: none"> <li>4. Insert two programmer's console cables on DKC8.</li> <li>5. Insure that the 8A Power is removed from the Omnibus™.</li> <li>6. Insert DKC8 into the second or third slot of the Omnibus™.</li> <li>7. Turn the power back "ON".</li> <li>8. Check the operation of the programmer's console.</li> </ol>			
IV ACCEPTANCE PROCEDURE			
Perform the acceptance procedure defined in Table . . . If abnormal indications are encountered, refer to the diagnostic listing for type of error. Reference the diagnostic write ups and operator's manual for instructions on loading diagnostics.			
Equipment Required:			
<ol style="list-style-type: none"> <li>1. PDP-8A with 1K or more R/W Memory</li> <li>2. Paper Tape Input Device</li> <li>3. Programmer's Console (KC8-A)</li> <li>4. Diagnostic and Listings</li> <li>5. TTY loop Back Cable</li> <li>6. Parallel I/O Loop Back Cable</li> <li>7. W987 Quad Extender</li> </ol>			
NOTE: If the programmer's console and paper tape input device are not available as part of the system being used, they must be supplied in good working order by the customer.			
DEC FORM NO		REV	
DMA 108		DKC8-A-1	
DEC 16-1022-1022-N370		SHEET 3 OF 4	

<b>ENGINEERING SPECIFICATION</b>		CONTINUATION SHEET	
TITLE FIELD INSTALLATION: 5 ACCEPTANCE PROCEDURE FOR DKC8-A			
<p style="text-align: center;">TABLE 1</p>			
Acceptance of DKC8 with 4K or More R/W Memory			
Program Name	MainDec #	Accept Time	Restiction
DKC8-AA Option Test #1	08-DJDKA-PB	30 min	4K R/W Memory
Acceptance of DKC8 with less than 1K of R/W Memory			
DKC8-AA Option Test #1	08-DJDKA -PM1	10 min	1K R/W Memory
Segment #1 (RIM)	08-DJDKA -PM2	10 min	1K R/W Memory
DKC8-AA Option Test #1	08-DJDKA -PM3	10 min	1K R/W Memory
Segment #3 (RIM)	08-DJDKA -PM4	10 min	1K R/W Memory
DKC8-AA Option Test #1	08-DJDKA -PM4	10 min	1K R/W Memory
Segment #4 (RIM)	08-DJDKA -PM4	10 min	1K R/W Memory
DEC FORM NO		REV	
DMA 108		DKC8-A-1	
DEC 16-1022-1022-N370		SHEET 4 OF 4	

THIS DRAWING AND SPECIFICATIONS HEREIN ARE THE PROPERTY OF DIGITAL EQUIPMENT CORPORATION AND SHALL NOT BE REPRODUCED OR COPIED OR USED IN WHOLE OR IN PART AS THE BASIS FOR THE MANUFACTURE OR SALE OF ITEMS WITHOUT WRITTEN PERMISSION. COPYRIGHT © 1976, DIGITAL EQUIPMENT CORPORATION

SPARES



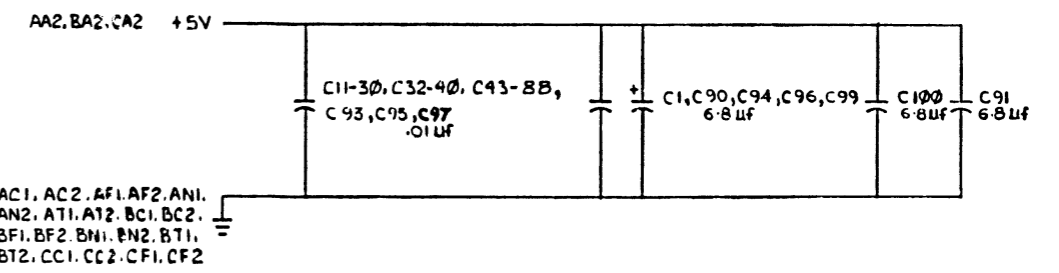
M8316 SWITCH SETTINGS

- SI-1 } SERIAL LINE BAUD RATE (SEE CHART)
- SI-2 }
- SI-3 }
- SI-4 }
- SI-5 ON = REAL TIME CLOCK ENABLED  
OFF = REAL TIME CLOCK DISABLED
- SI-6 ON = TEST SWITCH (ALWAYS ON)
- SI-7 ON = 1 STOP BIT IN SLU CHARACTER  
OFF = 2 STOP BITS IN SLU CHARACTER
- SI-8 ON = ASR/KSR 33 DR35 FILTER IN (ACROSS SLU 20 MA REC'V LEADS)  
OFF = FILTER OUT
- SI-9 ON = TS1 CLEARS "DATA AVAIL" F/F IN PARALLEL I/O SECTION  
OFF = "DATA AVAIL" NOT CLEARED BY TS1

SLU BAUD RATE SELECT CHART

SI-4	SI-3	SI-2	SI-1	BAUD RATE
ON	ON	ON	ON	50 BAUD
ON	ON	ON	OFF	75 BAUD
ON	ON	OFF	ON	110 BAUD
ON	ON	OFF	OFF	134.5 BAUD
ON	OFF	ON	ON	150 BAUD
ON	OFF	ON	OFF	300 BAUD
ON	OFF	OFF	ON	600 BAUD
ON	OFF	OFF	OFF	1200 BAUD
OFF	ON	ON	ON	1800 BAUD
OFF	ON	ON	OFF	2000 BAUD
OFF	ON	OFF	ON	2400 BAUD
OFF	ON	OFF	OFF	3600 BAUD
OFF	OFF	ON	ON	4200 BAUD
OFF	OFF	ON	OFF	1200 BAUD
OFF	OFF	OFF	ON	9600 BAUD
OFF	OFF	OFF	OFF	19.2K BAUD

\* SERIAL LINE WILL NOT RUN AT THIS BAUD RATE. THIS SETTING IS NOT TO BE USED



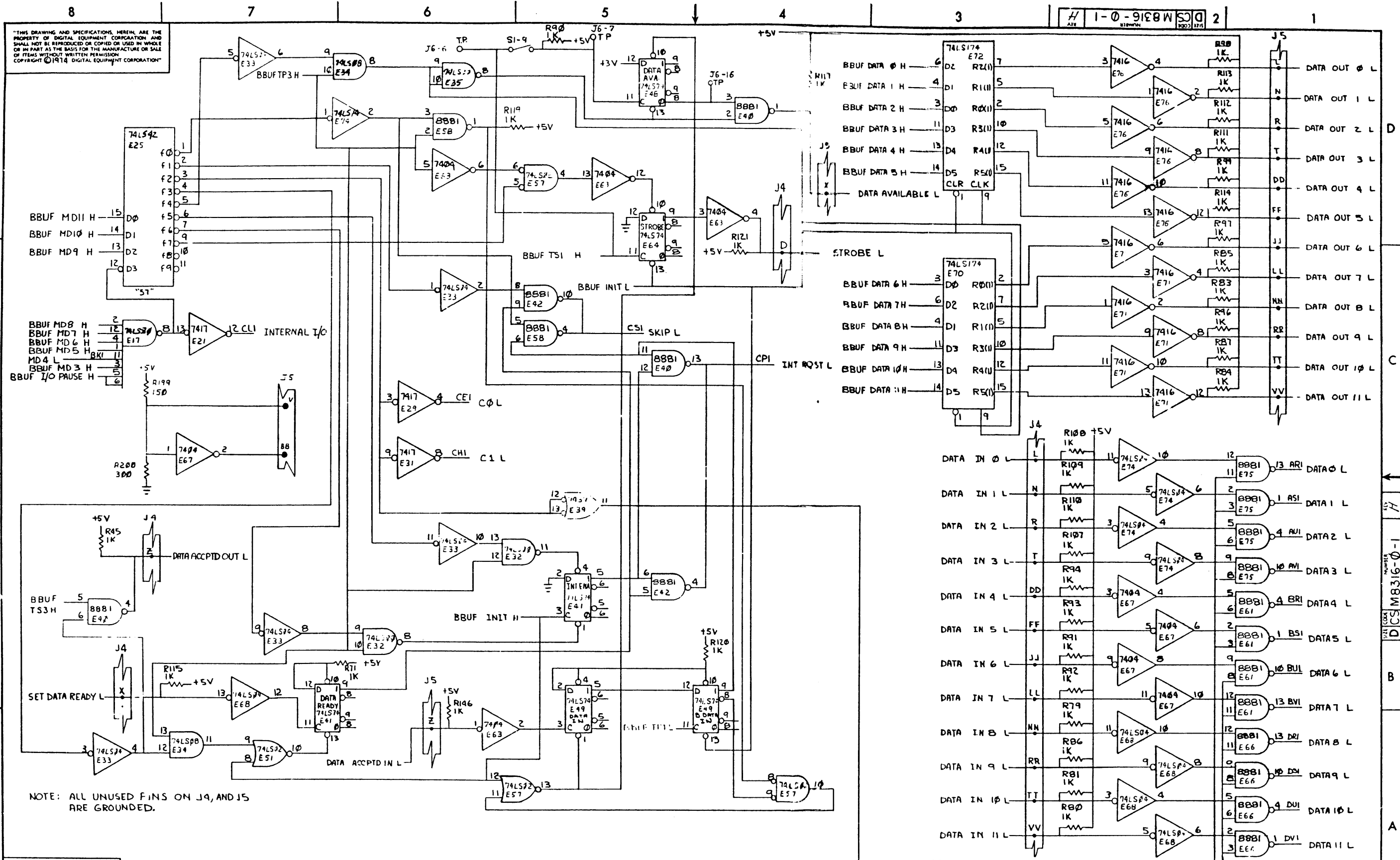
COMPONENT SUBSTITUTION CHART

PART CALLED P/N	DESCRIPTION	SUBSTITUTE PART P/N	DESCRIPTION
1001610-01	0.01μF DISC.	1001610-00	0.01μF GLASS
1909705	8881	1909973	97401
		1910392	5380
1911469	8640	1909971	6380
		1910390	7380
		1911113	11380
1912824	74LS74	1905547	7474
1912799	74LS00	1905575	7400
1912807	74LS10	1905576	7410
1912815	74LS30	1905578	7430
1912801	74LS02	1909004	7402
1912803	74LS04	1909686	7404
1912819	74LS42	1910046	7442
1912805	74LS08	1910155	7408
1912853	74LS175	1910651	74175
1912697	74LS174	1910652	74174

REV.	CHG. NO.	DATE	BY	CHK.
H	00005	01/02/76	P. SCANTLEBURY	

DRN. Approval	3-9-76	FIRST USED ON	DKC 8A
CHK'D	3-30-76	TITLE	OPTION BD #1
ENG. E	7-2-76	SCALE	D CS
PROD. E	7-2-76	SIZE	M8316-0-1
NEXT HIGHER ASSY.		NUMBER	11
D-UX-P: 1316-0-0		DIST.	

DRAWING NUMBER M8316-0-1



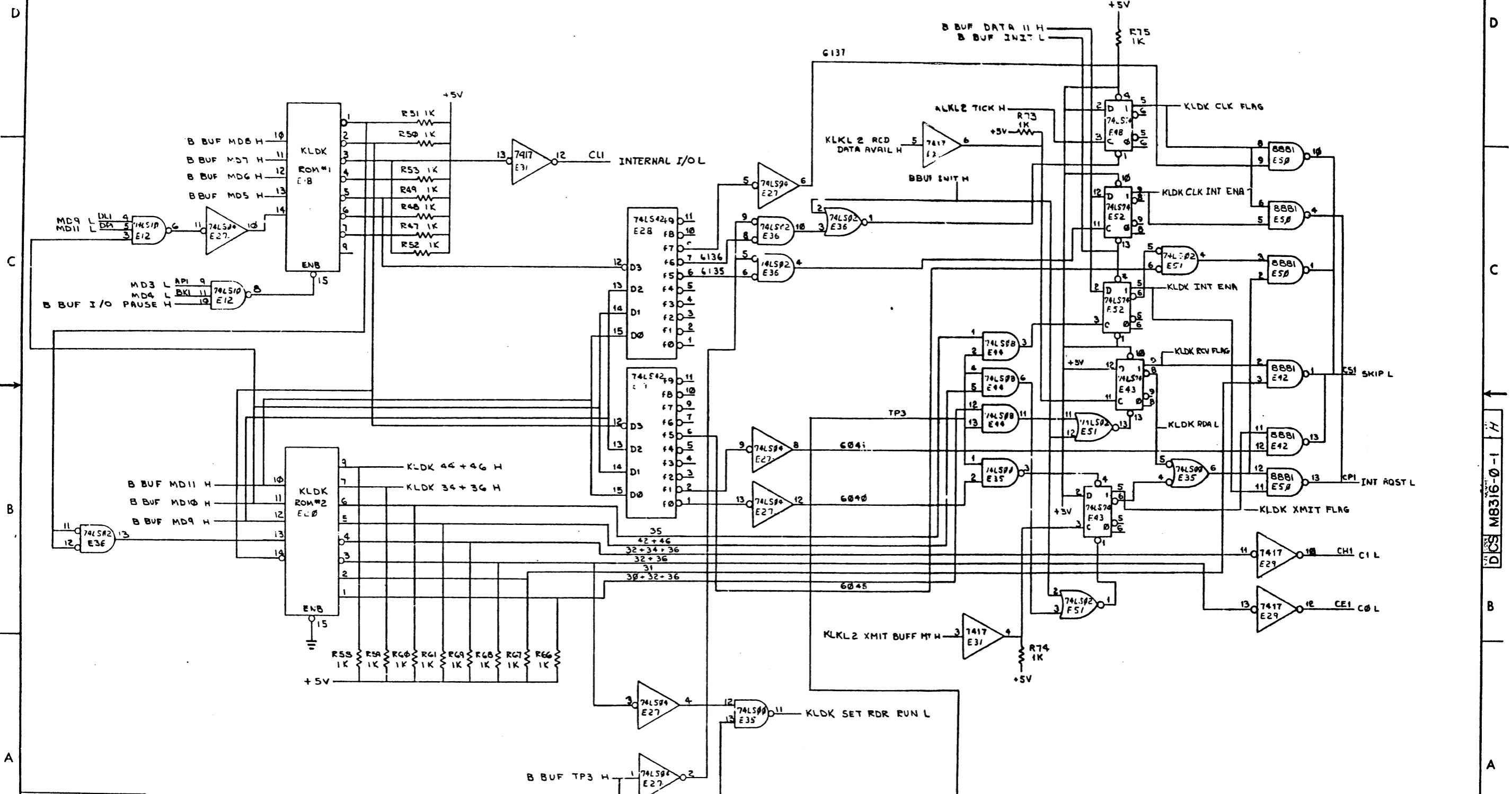
"THIS DRAWING AND SPECIFICATIONS, HEREIN, ARE THE PROPERTY OF DIGITAL EQUIPMENT CORPORATION AND SHALL NOT BE REPRODUCED OR COPIED OR USED IN WHOLE OR IN PART AS THE BASIS FOR THE MANUFACTURE OR SALE OF ITEMS WITHOUT WRITTEN PERMISSION. COPYRIGHT © 1974 DIGITAL EQUIPMENT CORPORATION"

# 1-0-9188W SCD 2

REVISIONS		
CHK	CHANGE NO	REV.

TITLE	OPTION BD #1	SIZE CODE	D CS	NUMBER	MB316-0-1	REV.	H
SCALE	1:1	SHEET	2	OF	2	DIST.	

THIS DRAWING AND SPECIFICATIONS HEREIN ARE THE PROPERTY OF DIGITAL EQUIPMENT CORPORATION AND SHALL NOT BE REPRODUCED OR COPIED OR USED IN WHOLE OR IN PART AS THE BASIS FOR THE MANUFACTURE OR SALE OF ITEMS WITHOUT WRITTEN PERMISSION. COPYRIGHT © 1974 DIGITAL EQUIPMENT CORPORATION

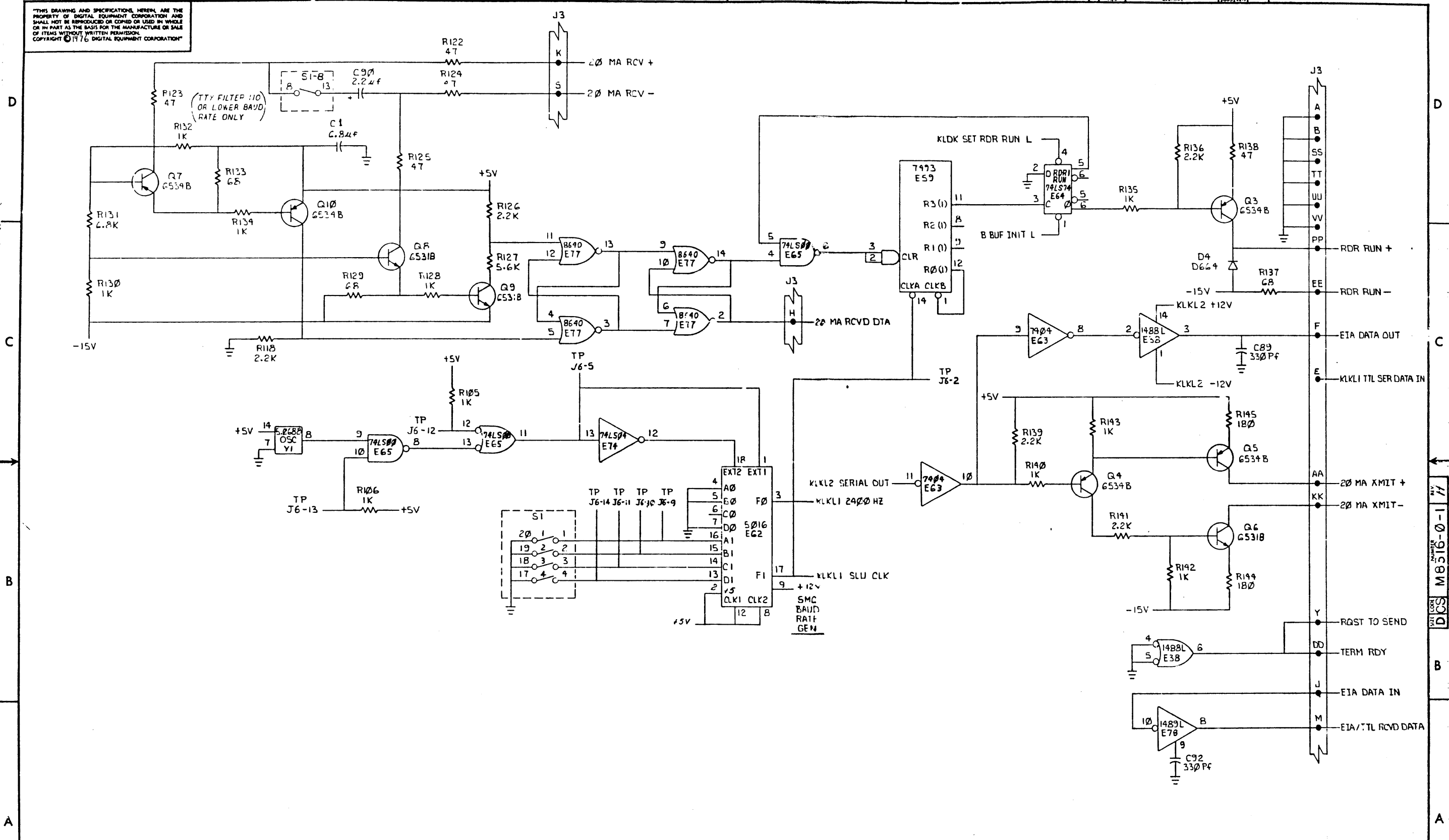


REVISIONS		
CHK	CHANGE NO	REV

(SLU IOT DECODE/FLAGS & XTAL CLOCK)

TITLE	OPTION BD # 1 (KLDK)	SIZE CODE	D CS	NUMBER	M8316-0-1	REV.	H
SCALE	/	SHEET	3	OF	3	DIST.	

THIS DRAWING AND SPECIFICATIONS HEREIN ARE THE PROPERTY OF DIGITAL EQUIPMENT CORPORATION AND SHALL NOT BE REPRODUCED OR COPIED OR USED IN WHOLE OR IN PART AS THE BASIS FOR THE MANUFACTURE OR SALE OF ITEMS WITHOUT WRITTEN PERMISSION. COPYRIGHT © 1976 DIGITAL EQUIPMENT CORPORATION



REVISIONS		
CHK	CHANGE NO.	REV.

(BAUD RATE GEN & 20 MA. EIA DRIVERS/RECEIVERS)

TITLE	OPTION BD #1 (KLKL)	SIZE CODE	D CS	NUMBER	M8316-0-1	REV.	H
SCALE	1:1	SHEET	4	OF	8	DIST.	