

**DIGITAL EQUIPMENT CORPORATION**  
MAYNARD, MASSACHUSETTS

**ENGINEERING SPECIFICATION**

DATE 11/19/74

TITLE FIELD INSTALLATION & ACCEPTANCE PROCEDURE FOR DKC8-A

REVISIONS

REV	DESCRIPTION	CHG NO	ORIG	DATE	APPD BY	DATE

ENG. *M. G. ...* APPD. *M. G. ...* NUMBER DKC8-A-1 REV 1 OF 4

DEC FORM NO 16-1022-1022-N370  
DMA 108

**ENGINEERING SPECIFICATION**

**CONTINUATION SHEET**

TITLE FIELD INSTALLATION & ACCEPTANCE PROCEDURE FOR DKC8-A

I GENERAL

This procedure defines the performance standard required of the DKC8\*, option board #1. This procedure refers to both system acceptance and add-on acceptance.

NOTE: If DKC8 was shipped as part of a PDP-8A system, proceed to installation procedure.

- \* Serial Line Unit
- \* Real Time Clock
- \* Parallel I/O
- \* Programmer's Console Logic

II INSPECTION

After removing the DKC8 from the packing material, inspect the module for the following:

1. Inventory hardware against shipping list.
2. Inventory software against software list, if ordered.
3. Inventory prints against shipping list, if ordered.
4. Check hardware for loose or broken components.

III INSTALLATION PROCEDURE

Install the equipment using the following procedure:

1. Set up switches as indicated by the diagnostic write up.

SI-1 thru SI-3	"ON"	9600 baud
SI-4	"ON"	Normally "ON"
SI-5	"ON"	Real Time Clock Enable
SI-6	"ON"	Normally "ON"
SI-7	"ON"	One Stop Bit
SI-8	"OFF"	Disable TTY 20 MA Filter

NOTE: Reference Operator's Handbook for switch setting descriptions.

2. Insert TTY loop back cable (DEC Part #7008517) on DKC8.
3. Insert parallel I/O cable loop back cable (DEC Part # BC08R-1) on DKC8.

DEC FORM NO 16-1022-1022-N370  
DMA 108

SIZE CODE A SP NUMBER DKC8-A-1 REV 2 OF 4

**ENGINEERING SPECIFICATION**

**CONTINUATION SHEET**

TITLE FIELD INSTALLATION AND ACCEPTANCE PROCEDURE FOR DKC8-A

III INSTALLATION PROCEDURE (continued)

4. Insert two programmer's console cables on DKC8.
5. Insure that the 8A Power is removed from the Omnibus™.
6. Insert DKC8 into the second or third slot of the Omnibus™.
7. Turn the power back "ON".
8. Check the operation of the programmer's console.

IV ACCEPTANCE PROCEDURE

Perform the acceptance procedure defined in Table . If abnormal indications are encountered, refer to the diagnostic listing for type of error. Reference the diagnostic write ups and operator's manual for instructions on loading diagnostics.

Equipment Required:

1. PDP-8A with 1K or more R/W Memory
2. Paper Tape Input Device
3. Programmer's Console (KC8-A)
4. Diagnostic and Listings
5. TTY Loop Back Cable
6. Parallel I/O Loop Back Cable
7. W987 Quad Extender

NOTE: If the programmer's console and paper tape input device are not available as part of the system being used, they must be supplied in good working order by the customer.

TITLE :

Acceptance of DKC8 with 4K or More R/W Memory

Program Name	MainDec #	Accept Time	Restriction
DKC8-AA Option Test #1	08-DJDKA-PB	30 min	4K R/W Memory
Acceptance of DKC8 with less than 1K of R/W Memory			
DKC8-AA Option Test #1	08-DJDKA -PM1	10 min	1K R/W Memory
Segment #1 (RIM)			
DKC8-AA Option Test #1	08-DJDKA -PM2	10 min	1K R/W Memory
Segment #2 (RIM)			
DKC8-AA Option Test #1	08-DJDKA -PM3	10 min	1K R/W Memory
Segment #3 (RIM)			
DKC8-AA Option Test #1	08-DJDKA -PM4	10 min	1K R/W Memory
Segment #4 (RIM)			

DEC FORM NO 16-1022-1022-N370  
DMA 108

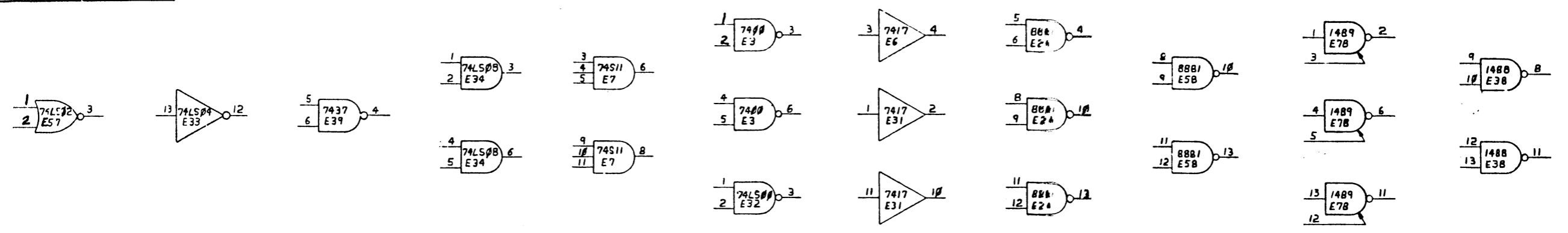
SIZE CODE A SP NUMBER DKC8-A-1 REV 3 OF 4

DEC FORM NO 16-1022-1022-N370  
DMA 108

SIZE CODE A SP NUMBER DKC8-A-1 REV 4 OF 4

THIS DRAWING AND SPECIFICATIONS HEREIN ARE THE PROPERTY OF DIGITAL EQUIPMENT CORPORATION AND SHALL NOT BE REPRODUCED OR COPIED OR USED IN WHOLE OR IN PART AS THE BASIS FOR THE MANUFACTURE OR SALE OF ITEMS WITHOUT WRITTEN PERMISSION. COPYRIGHT © 1976, DIGITAL EQUIPMENT CORPORATION

SPARES



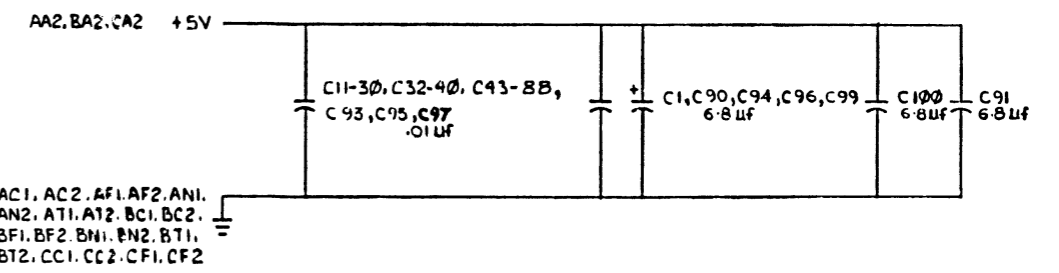
M8316 SWITCH SETTINGS

- SI-1 } SERIAL LINE BAUD RATE (SEE CHART)
- SI-2 }
- SI-3 }
- SI-4 }
- SI-5 ON = REAL TIME CLOCK ENABLED  
OFF = REAL TIME CLOCK DISABLED
- SI-6 ON = TEST SWITCH (ALWAYS ON)
- SI-7 ON = 1 STOP BIT IN SLU CHARACTER  
OFF = 2 STOP BITS IN SLU CHARACTER
- SI-8 ON = ASR/KSR 33 DR35 FILTER IN (ACROSS SLU 20 MA REC'V LEADS)  
OFF = FILTER OUT
- SI-9 ON = TS1 CLEARS "DATA AVAIL" F/F IN PARALLEL I/O SECTION  
OFF = "DATA AVAIL" NOT CLEARED BY TS1

SLU BAUD RATE SELECT CHART

SI-4	SI-3	SI-2	SI-1	BAUD RATE
ON	ON	ON	ON	50 BAUD
ON	ON	ON	OFF	75 BAUD
ON	ON	OFF	ON	110 BAUD
ON	ON	OFF	OFF	134.5 BAUD
ON	OFF	ON	ON	150 BAUD
ON	OFF	ON	OFF	300 BAUD
ON	OFF	OFF	ON	600 BAUD
ON	OFF	OFF	OFF	1200 BAUD
OFF	ON	ON	ON	1800 BAUD
OFF	ON	ON	OFF	2000 BAUD
OFF	ON	OFF	ON	2400 BAUD
OFF	ON	OFF	OFF	3600 BAUD
OFF	OFF	ON	ON	4200 BAUD
OFF	OFF	ON	OFF	1200 BAUD
OFF	OFF	OFF	ON	9600 BAUD
OFF	OFF	OFF	OFF	19.2K BAUD

\* SERIAL LINE WILL NOT RUN AT THIS BAUD RATE. THIS SETTING IS NOT TO BE USED



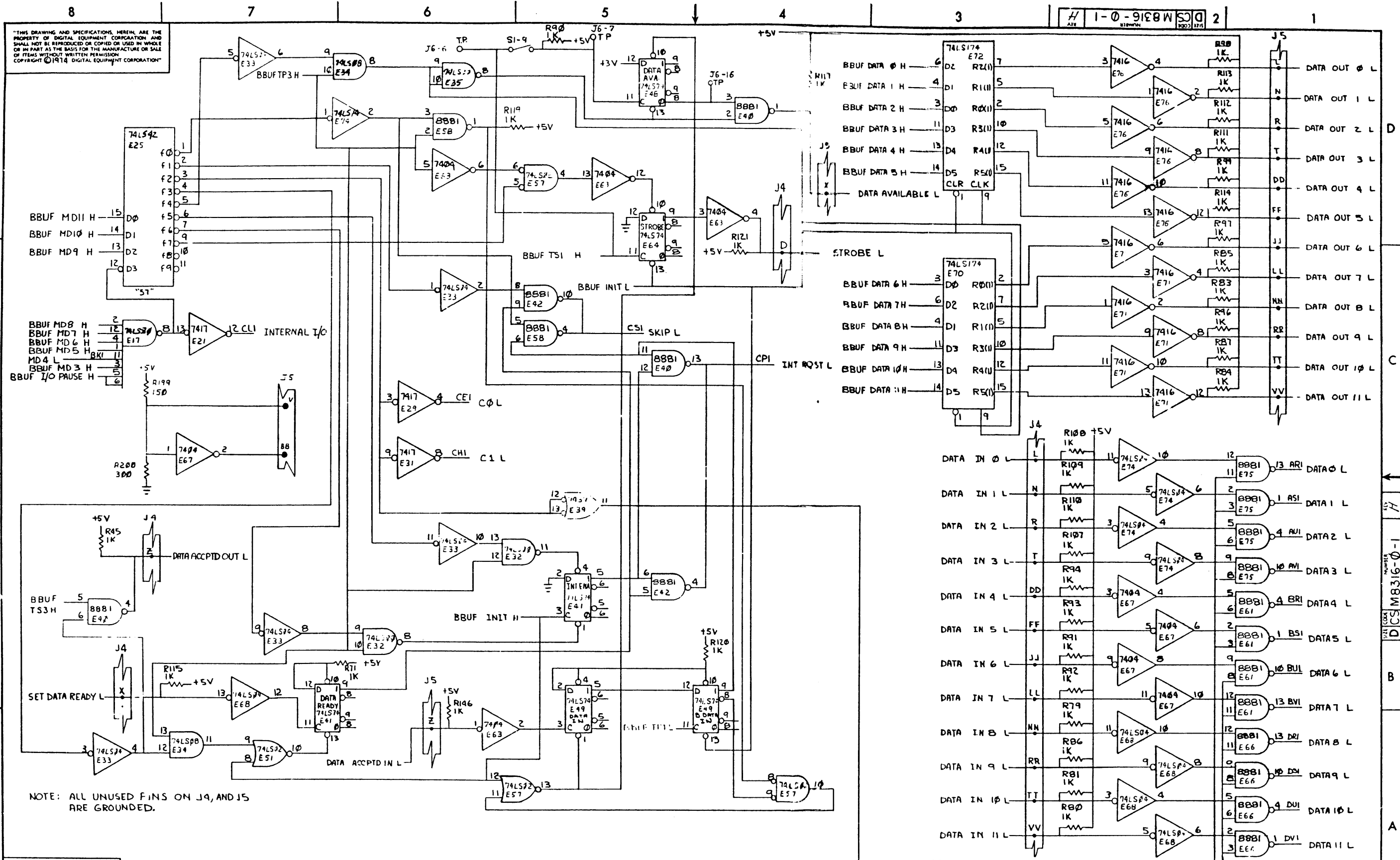
COMPONENT SUBSTITUTION CHART

PART CALLED P/N	DESCRIPTION	SUBSTITUTE PART P/N	DESCRIPTION
1001610-01	0.01µF DISC.	1001610-00	0.01µF GLASS
1909705	8881	1909973	97401
1911469	8640	1910392	5380
		1909971	6380
		1910390	7380
		1911113	11380
1912824	74LS74	1905547	7474
1912791	74LS00	1905575	7400
1912807	74LS10	1905576	7410
1912815	74LS30	1905578	7430
1912801	74LS02	1909004	7402
1912803	74LS04	1909686	7404
1912814	74LS42	1910046	7442
1912805	74LS08	1910155	7408
1912853	74LS175	1910651	74175
1912697	74LS174	1910652	74174

REV.	H
CHK	P. SCANTLEBURY
REASONS	
CHANGE NO.	
DATE	

DRN. Approval	3-9-76	FIRST USED ON	DKC 8A
CHK'D	3-30-76	TITLE	OPTION BD #1
ENG.	7-2-76	SIZE	D CS
PROJ. ENGR.		CODE	M8316-0-1
PROD. ENGR.		NUMBER	11
NEXT HIGHER ASSY.		REV.	
D-UX-P: 1316-0-0		SCALE	
SHEET	OF 8	DIST.	

M8316-0-1

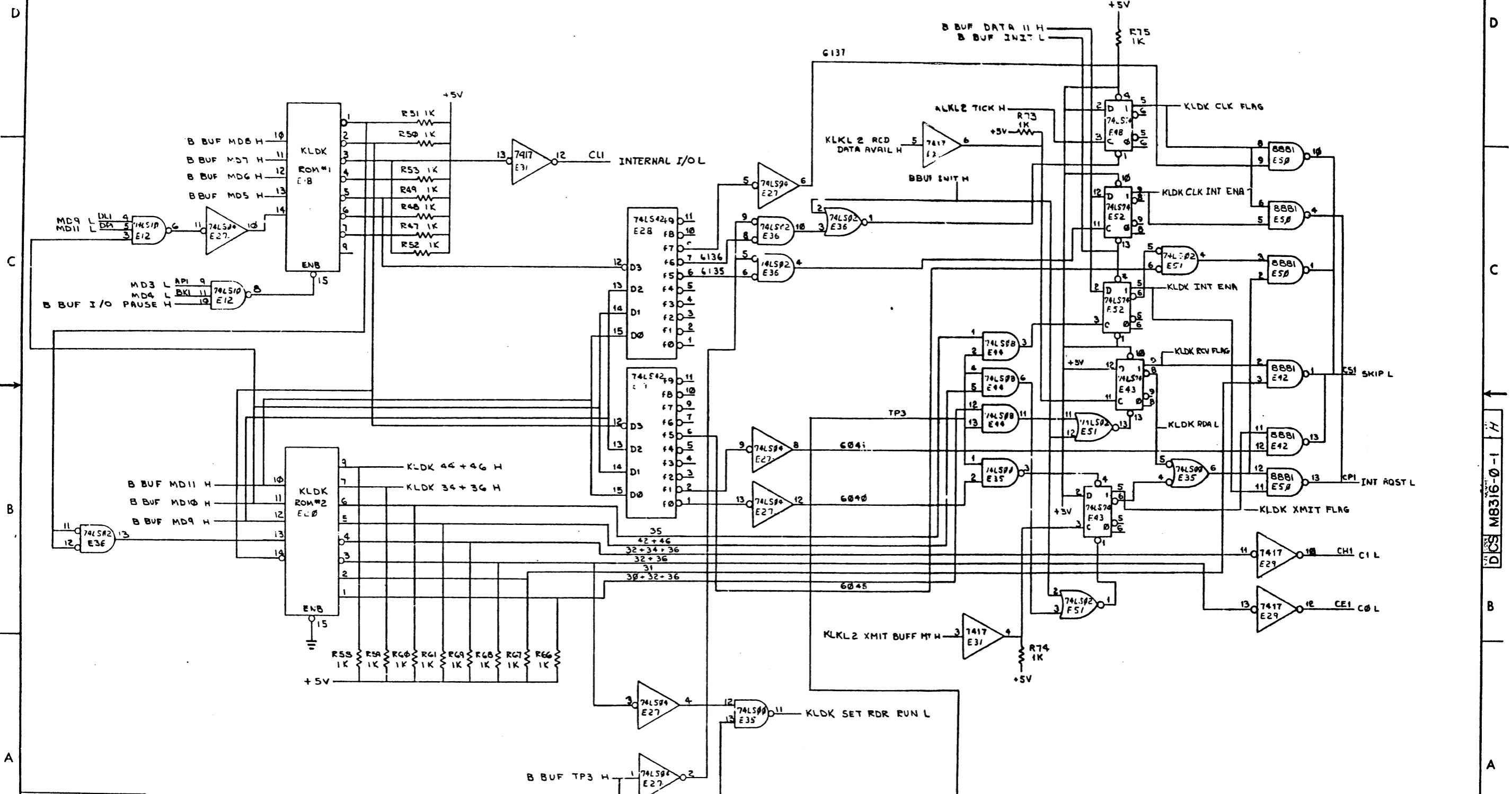


"THIS DRAWING AND SPECIFICATIONS, HEREIN, ARE THE PROPERTY OF DIGITAL EQUIPMENT CORPORATION AND SHALL NOT BE REPRODUCED OR COPIED OR USED IN WHOLE OR IN PART AS THE BASIS FOR THE MANUFACTURE OR SALE OF ITEMS WITHOUT WRITTEN PERMISSION. COPYRIGHT © 1974 DIGITAL EQUIPMENT CORPORATION"

REVISIONS		
CHK	CHANGE NO	REV.

TITLE	OPTION BD #1	SIZE/CODE	D CS MB316-0-1	NUMBER	REV.	H
SCALE	1:1	SHEET	2 OF 2	DIST.		

THIS DRAWING AND SPECIFICATIONS HEREIN ARE THE PROPERTY OF DIGITAL EQUIPMENT CORPORATION AND SHALL NOT BE REPRODUCED OR COPIED OR USED IN WHOLE OR IN PART AS THE BASIS FOR THE MANUFACTURE OR SALE OF ITEMS WITHOUT WRITTEN PERMISSION. COPYRIGHT © 1974 DIGITAL EQUIPMENT CORPORATION

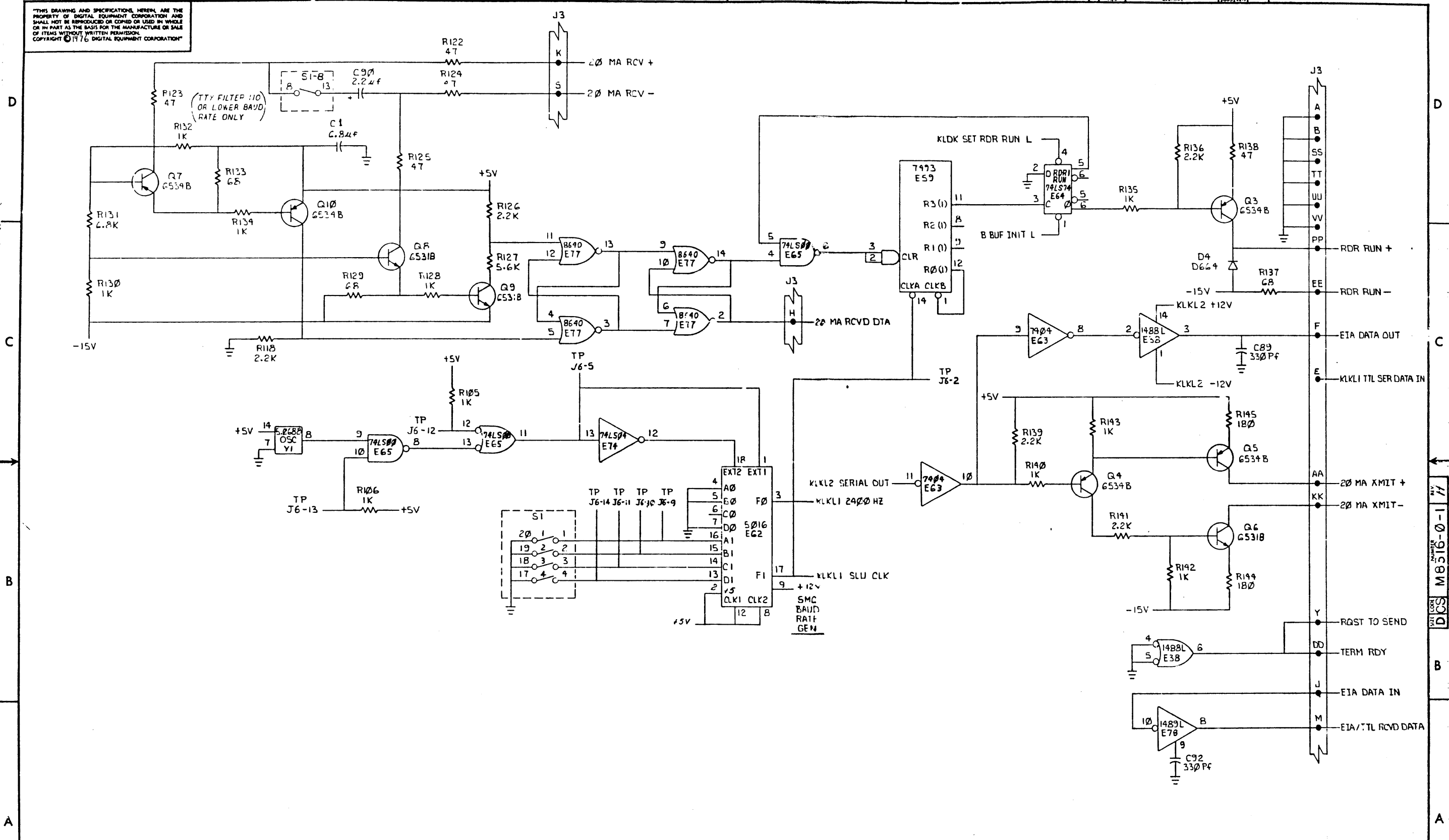


REVISIONS		
CHK	CHANGE NO	REV

(SLU IOT DECODE/FLAGS & XTAL CLOCK)

TITLE	OPTION BD # 1 (KLDK)	SIZE CODE	D CS	NUMBER	M8316-0-1	REV.	H
SCALE	/	SHEET	3	OF	3	DIST.	

THIS DRAWING AND SPECIFICATIONS HEREIN ARE THE PROPERTY OF DIGITAL EQUIPMENT CORPORATION AND SHALL NOT BE REPRODUCED OR COPIED OR USED IN WHOLE OR IN PART AS THE BASIS FOR THE MANUFACTURE OR SALE OF ITEMS WITHOUT WRITTEN PERMISSION. COPYRIGHT © 1976 DIGITAL EQUIPMENT CORPORATION

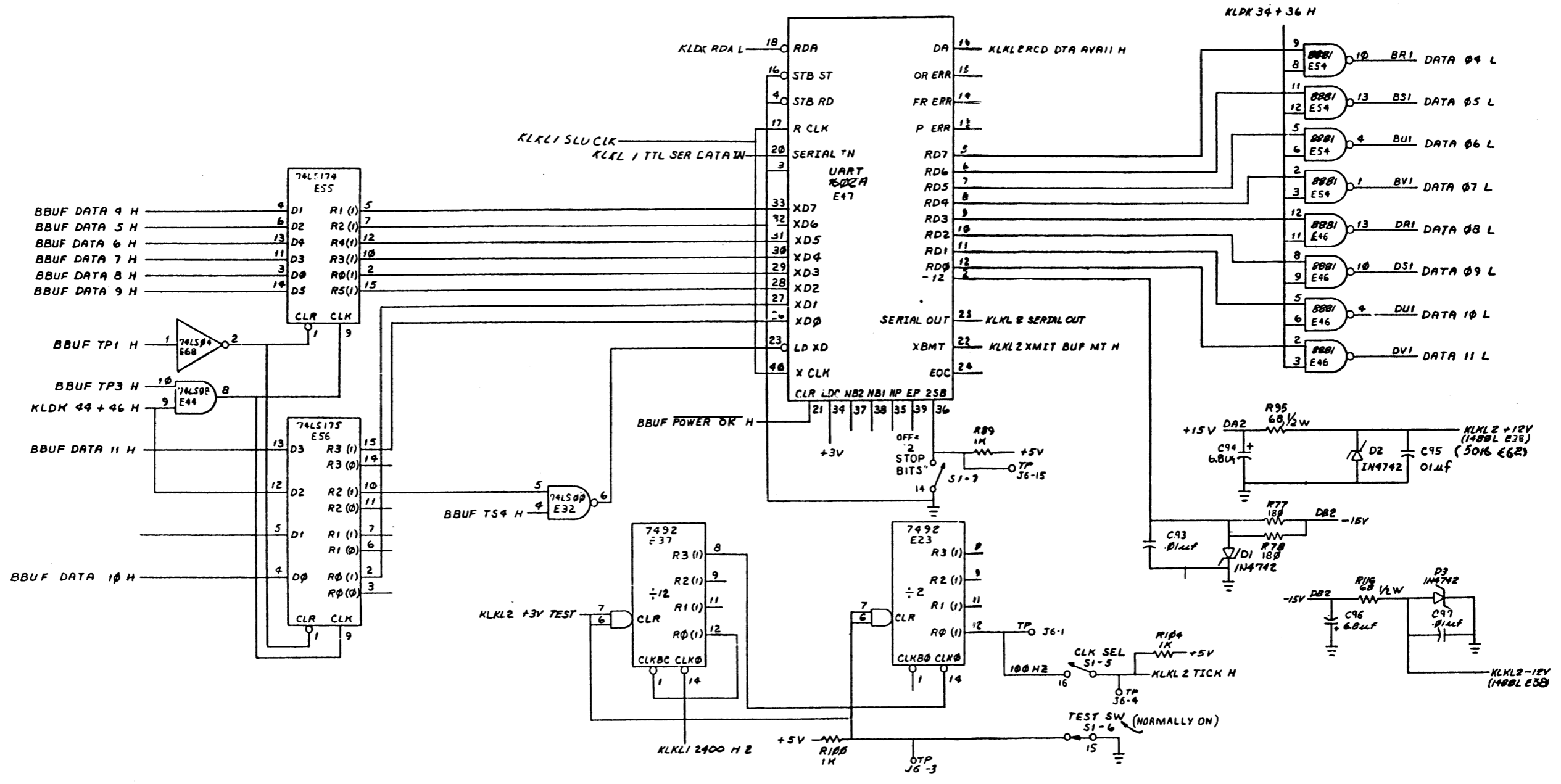


REVISIONS		
CHK	CHANGE NO.	REV.

(BAUD RATE GEN & 20 MA, EIA DRIVERS/RECEIVERS)

TITLE	OPTION BD #1 (KLKLI)	SIZE CODE	D CS	NUMBER	M8316-0-1	REV.	H
SCALE	1:1	SHEET	4	OF	8	DIST.	

"THIS DRAWING AND SPECIFICATIONS HEREIN ARE THE PROPERTY OF DIGITAL EQUIPMENT CORPORATION AND SHALL NOT BE REPRODUCED OR COPIED OR USED IN WHOLE OR IN PART AS THE BASIS FOR THE MANUFACTURE OR SALE OF ITEMS WITHOUT WRITTEN PERMISSION. COPYRIGHT © 1974, DIGITAL EQUIPMENT CORPORATION"

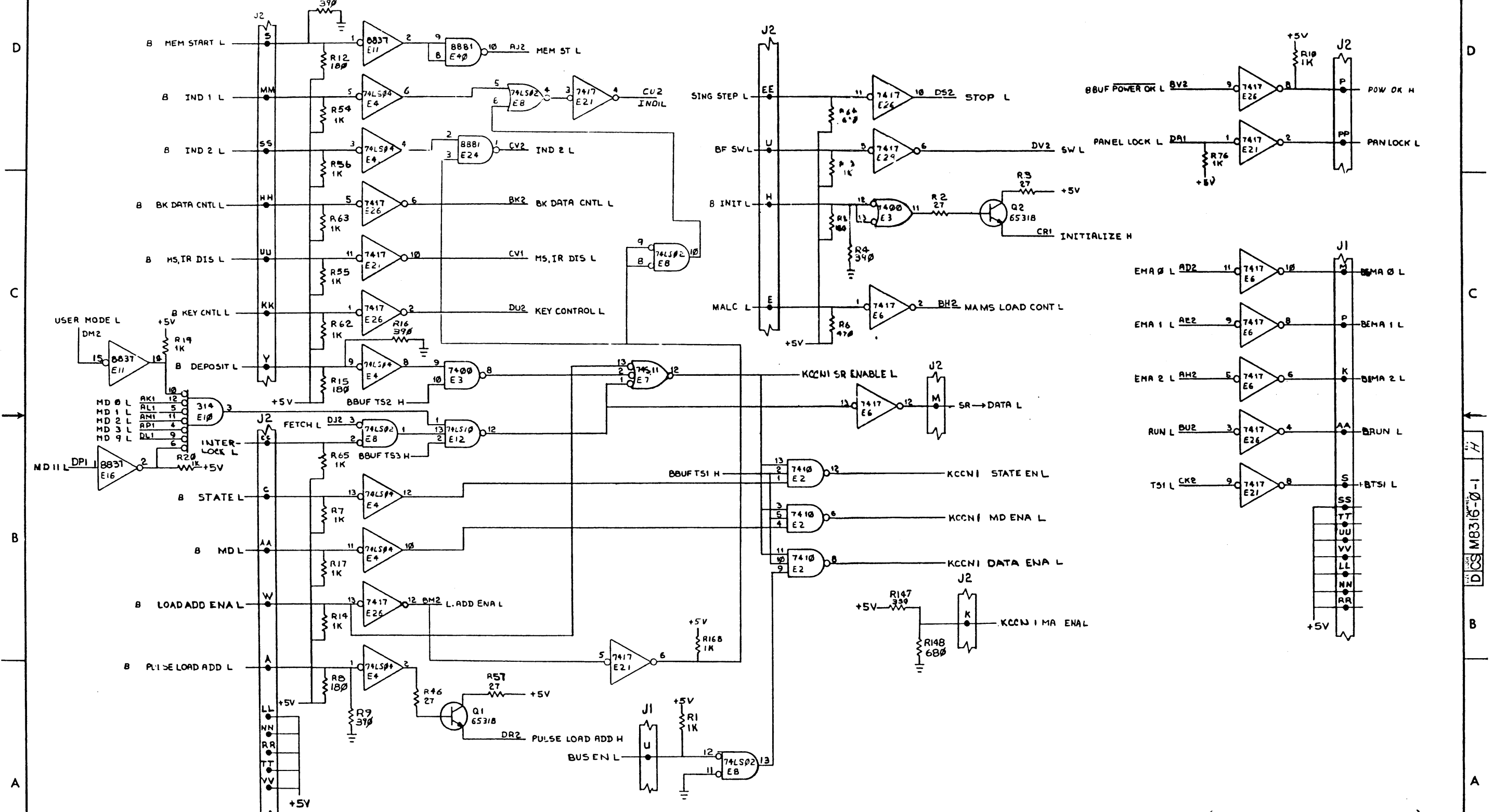


REVISIONS		
CHK	CHANGE NO	REV

(UART & XTAL CLK FREQ SOURCE)

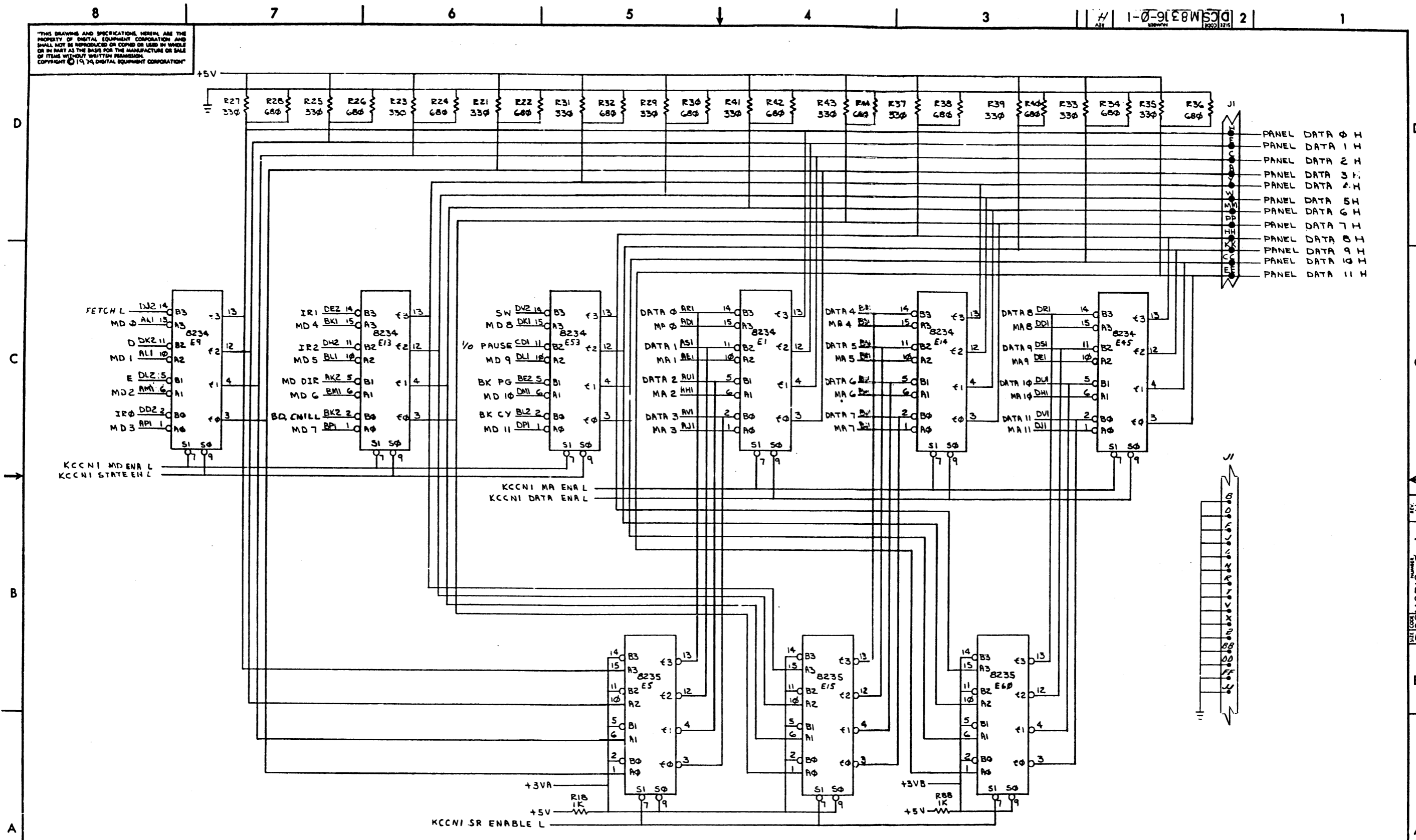
TITLE	OPTION BD *1 (KLK2)	SIZE CODE	DCS	NUMBER	M8315-0-1	REV.	H
SCALE	1/1	SHEET	2	OF 8	DIST.		

THIS DRAWING AND SPECIFICATIONS HEREIN ARE THE PROPERTY OF DIGITAL EQUIPMENT CORPORATION AND SHALL NOT BE REPRODUCED OR COPIED OR USED IN WHOLE OR IN PART AS THE BASIS FOR THE MANUFACTURE OR SALE OF ITEMS WITHOUT WRITTEN PERMISSION. COPYRIGHT © 1974 DIGITAL EQUIPMENT CORPORATION.



REVISIONS		
CHK	CHANGE NO	REV

THIS DRAWING AND SPECIFICATIONS HEREIN ARE THE PROPERTY OF DIGITAL EQUIPMENT CORPORATION AND SHALL NOT BE REPRODUCED OR COPIED OR USED IN WHOLE OR IN PART AS THE BASIS FOR THE MANUFACTURE OR SALE OF ITEMS WITHOUT WRITTEN PERMISSION. COPYRIGHT © 1974 DIGITAL EQUIPMENT CORPORATION



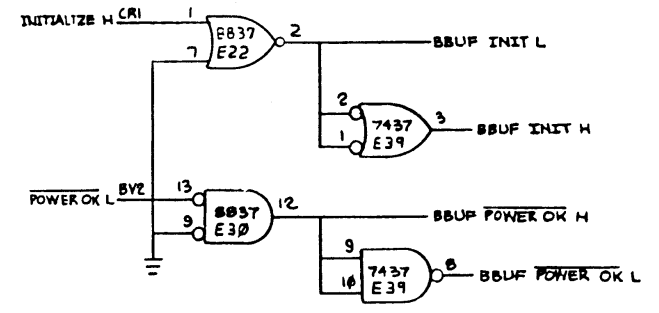
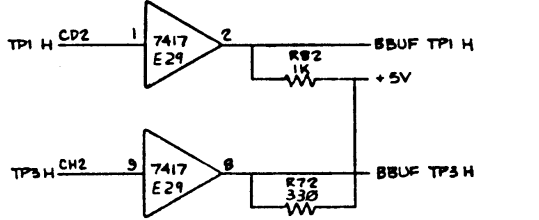
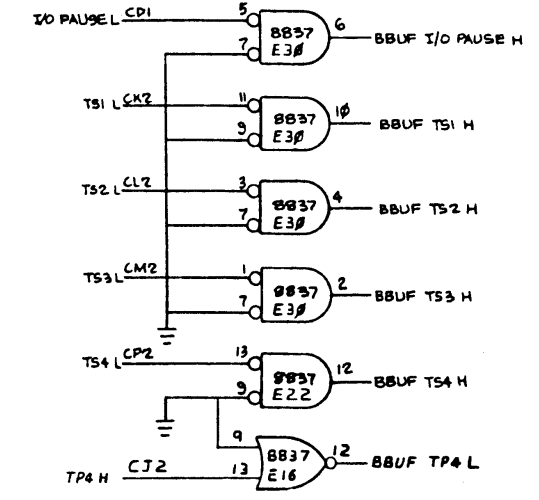
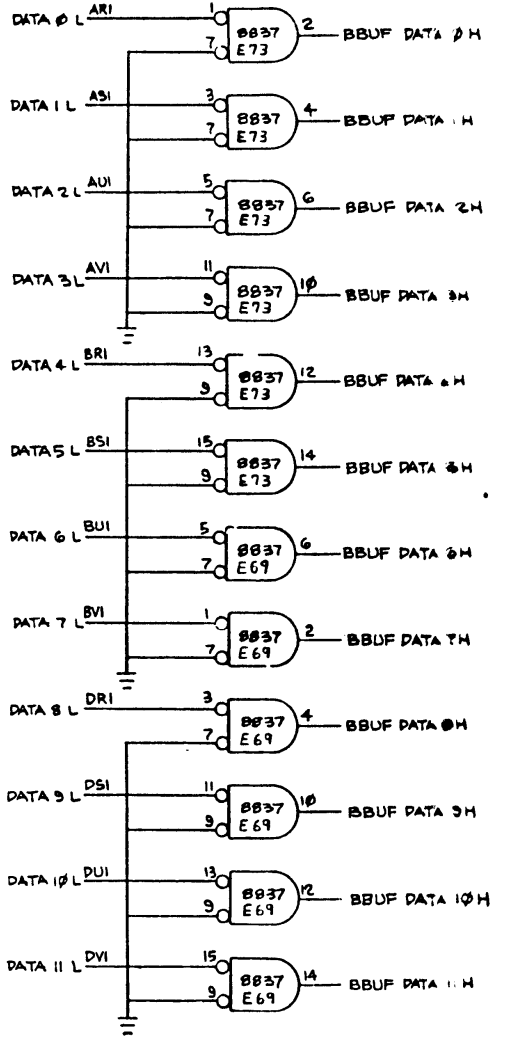
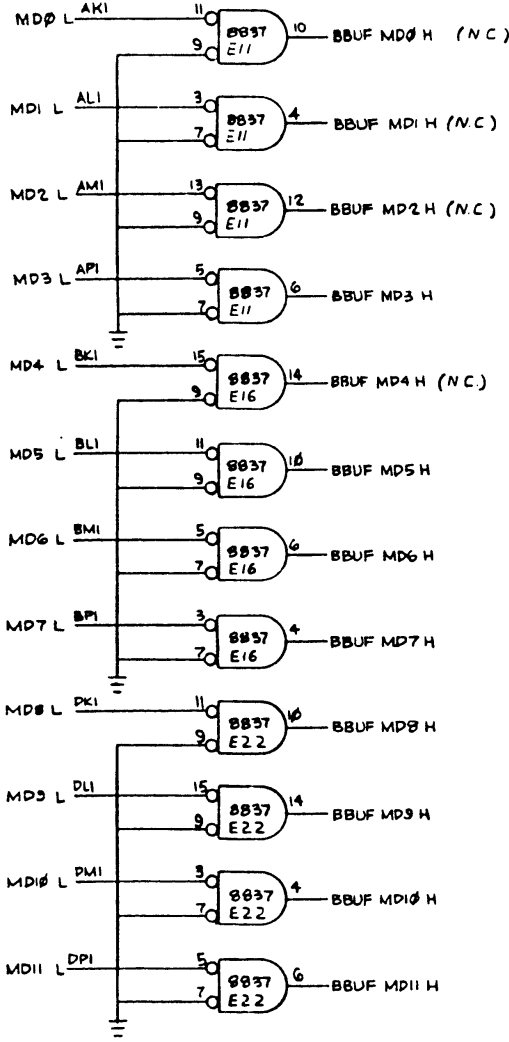
(PROGRAMMERS PANEL MULTIPLEXERS)

REVISIONS		
CHK	CHANGE NO	REV.

TITLE	OPTION BOARD #1 (KCCND)	SIZE CODE	DCSM8316-0-1	NUMBER		REV.	H
SCALE		SHEET	7 OF 8	DIST.			



THIS DRAWING AND SPECIFICATIONS HEREIN ARE THE PROPERTY OF DIGITAL EQUIPMENT CORPORATION AND SHALL NOT BE REPRODUCED OR COPIED OR USED IN WHOLE OR IN PART AS THE BASIS FOR THE MANUFACTURE OR SALE OF ITEMS WITHOUT WRITTEN PERMISSION. COPYRIGHT © 1974 DIGITAL EQUIPMENT CORPORATION



(BUS BUFFERS)

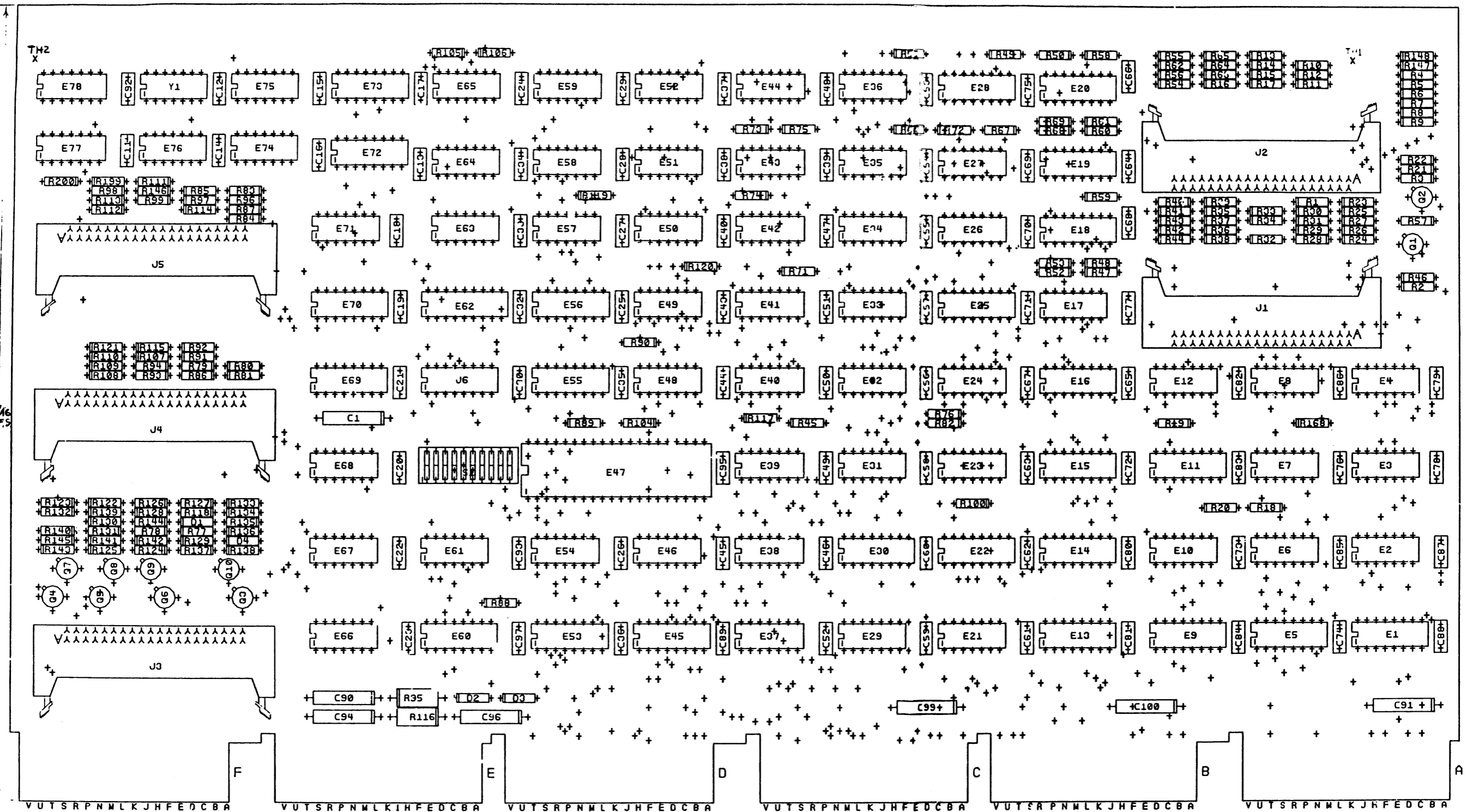
REVISIONS		
CHK	CHANGE NO	REV

TITLE	8/A INTERNAL OPTIONS (BUFF)	SIZE CODE	D CS	NUMBER	M3316-0-i	REV.	H
SCALE	1:1	SHEET	8	OF	8	DIST.	

M3316-0-1

THIS DRAWING AND SPECIFICATIONS, HEREIN, ARE THE PROPERTY OF DIGITAL EQUIPMENT CORPORATION AND SHALL NOT BE REPRODUCED OR TRANSMITTED IN ANY FORM OR BY ANY MEANS, ELECTRONIC OR MECHANICAL, INCLUDING PHOTOCOPYING, RECORDING, OR BY ANY INFORMATION STORAGE AND RETRIEVAL SYSTEM, WITHOUT THE WRITTEN PERMISSION OF DIGITAL EQUIPMENT CORPORATION. © 1976

COMPONENT SIDE VIEW



VUTSRPNMLKJHFEDCBA

NOTES:

CHK	CHANGE NO	REV	DATE	BY

HOLE DATA	
SYMBOL	
FIN HOLE SIZE	
PLATED	
NON PLATED	
QTY.	
○-OFF GRID HLE	
DRILL SIZE	

BOARD FABRICATION INFORMATION	
PANEL SIZE	
PANEL DATA DWG.#	
PANEL MAT'L	
QTY. OF LAYERS	
COPPER THICKNESS	
PTH, X PRINT AND ETCH	
CON. REINSERTED 100 TIMES OR MORE?	
P.C. DESIGN D'TA BASE REV.	

SIGNATURES		DATE
DRN. <i>Vincent...</i>		1-3-76
CHK'D. <i>...</i>		1-8-76
ENG. <i>...</i>		1-2-76
PROJ. ENG. <i>...</i>		1-2-76
PROD.		
SCALE 2/1		
SHT. 1 OF 3		
NEXT HIGHER ASSY. B-DD-M8316-0		

digital

TITLE  
OPTION BOARD 1

SIZE CODE	NUMBER	REV
D UA	M8316-0-0	*

8

7

6

5

4

3

\* 0-0-91E8W DUA 2

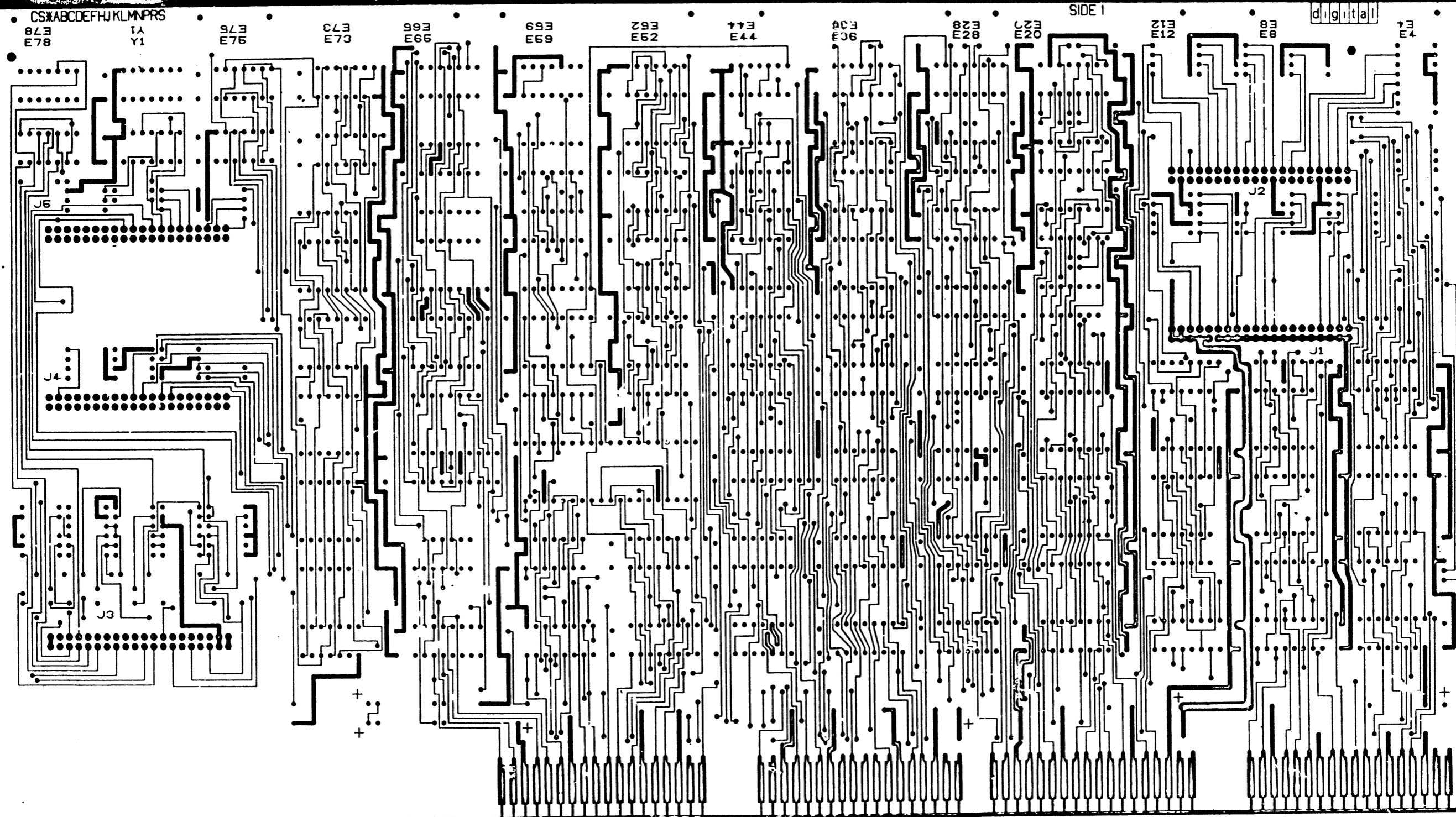
1

THIS DRAWING AND SPECIFICATIONS HEREIN ARE THE PROPERTY OF DIGITAL EQUIPMENT CORPORATION AND SHALL NOT BE REPRODUCED OR COPIED OR USED IN WHOLE OR IN PART AS THE BASIS FOR THE MANUFACTURE OR SALE OF ITEMS WITHOUT WRITTEN PERMISSION FROM DIGITAL EQUIPMENT CORPORATION.

L1

MS40662 M0316 6010900D P4

D



C

B

A

D

C

B

A

REVISIONS		
CHK	CHANGE NO	REV

TITLE	OPTION BOARD #1	SIZE/CODE	DUA	NUMBER	M8316-0-0	REV	*
SCALE	2/1	SHEET	2 OF 3	DIST			

R

7

6

5

4

3

2

1

DUA M8316-0-0 \*

8

7

6

5



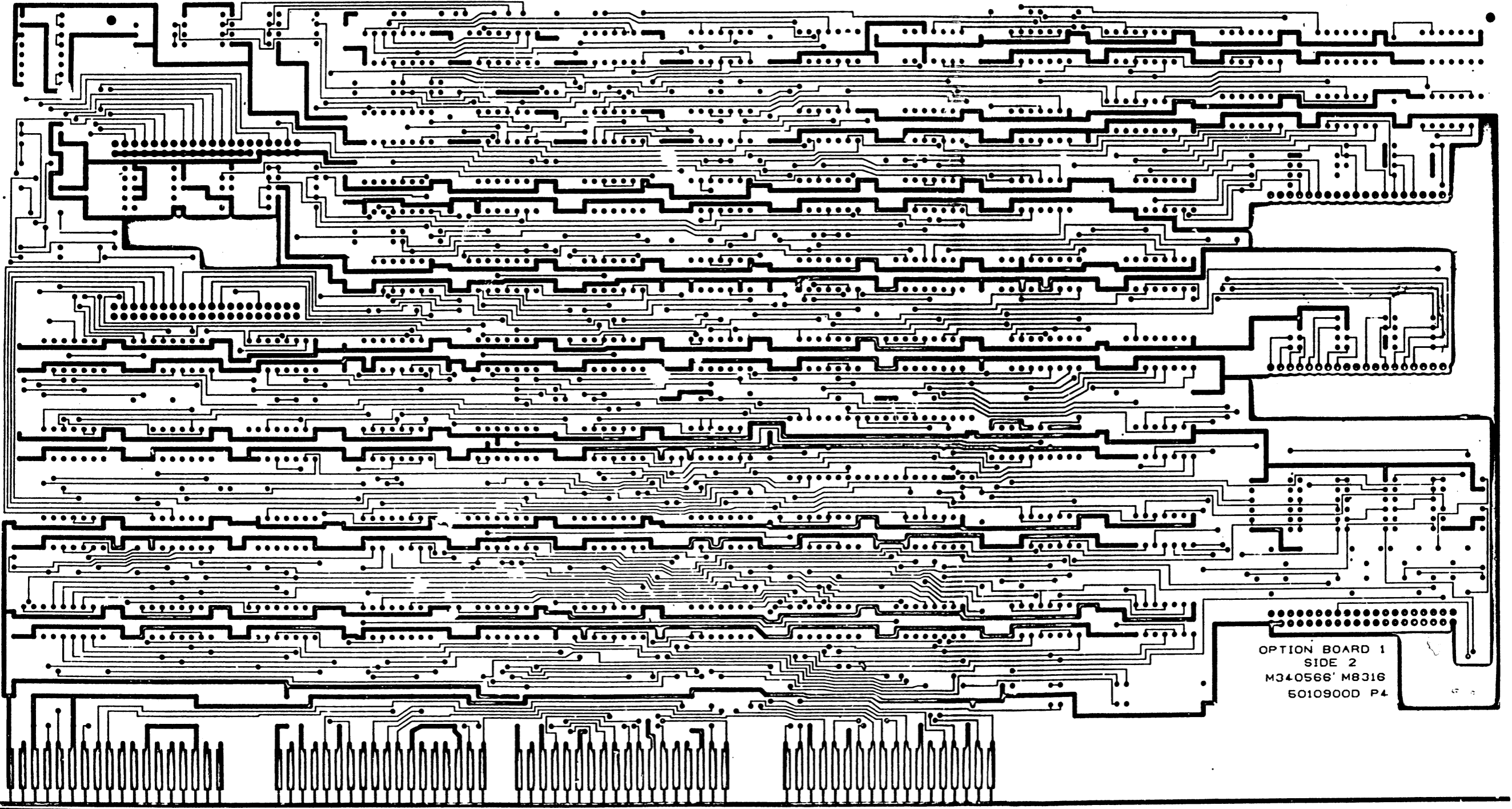
4

3

\* 0-0-918W DUA M8316-0-0 2

1

THIS DRAWING AND SPECIFICATIONS HEREIN ARE THE PROPERTY OF DIGITAL EQUIPMENT CORPORATION AND SHALL NOT BE REPRODUCED OR COPIED OR USED IN WHOLE OR IN PART AS THE BASIS FOR THE MANUFACTURE OR SALE OF ITEMS WITHOUT WRITTEN PERMISSION. COPYRIGHT © 1976 DIGITAL EQUIPMENT CORPORATION



OPTION BOARD 1  
SIDE 2  
M340566 M8316  
6010900 P4

REVISIONS		
CHK	CHANGE NO	REV

TITLE	OPTION BOARD #1	SIZE CODE	D UA	NUMBER	M8316-0-0	REV.	*
SCALE	2/1	SHEET	3 OF 3	DIST			

8

7

6

5

↑

4

3

2

1

D  
C  
B  
A  
\*  
DUA M8316-0-0

# DIGITAL EQUIPMENT CORPORATION

## PARTS LIST

### QUANTITY / VARIATION

### NOTES:

MADE BY BOB KCPENAL	CHECKED <i>K. Koffman</i>	SECTION 1
DATE 3-31-76	DATE 3-30-76	
ENG <i>P. Schmitt</i>	PROD <i>K. Blanka</i>	ISSUED SECTION 1
DATE 7-2-76	DATE 7-2-76	

ITEM NO.	DRAWING NO.	PART NO.	DESCRIPTION	M8316-0-0															
1	D-MD-5010900-0-0	5010900	ETCHED CIRCUIT BOARD	1															
2		1001610-01	CAP, .01 UF, 100V, 10%	78															
3		1000023	CAP, 330 PF, 100V, 5%	2															
4		1002431	CAP, 2.2 UF, 35V, 10%	1															
5		1005306	CAP. 6.8 UF, 35V, 10%	8															
6		1109502	DIODE, IN4742	3															
7		1100114	DIODE, D664	1															
8		1211164-06	SWITCH PACK (10 POS DIP)	1															
9		1211813-02	IC SOCKET (16 PIN)	1															
10		1210711-02	HANDLE ASSY	1															
11		1209941-02	CONNECTOR 40 P. RT. ANG. HD	5															
12		1209941-03	LATCH LEFT 40 P. RT. ANG. HD	5															
13		1209941-04	LATCH RIGHT 40 P RT. ANG. HD	5															
14		1300202	RES., 47, 1/4W, 5%	5															
15		1300219	RES., 68, 1/4W, 5%	3															
16		1301424	RES., 680, 1/4W, 5%	13															
17		1300417	RES., 2.2K, 1/4W, 5%	5															
18		130187	RES., 5.6K, 1/4W, 5%	1															
19		1301423	RES., 6.8K, 1/4W, 5%	1															
20		1301522	RES., 27, 1/4W, 5%	4															

REF DESIGNATION
C11-C30, C32-C40, C43-C88, C93, C95, C97
C89, C92
C90
C91, C94, C96, C99-C100, C1
D1-D3
D4
S1
J6
J1-J5
R122-R125, R138
R129, R133, R137
R22, R24, R26, R28, R30, R32, R34, R36, R38, R40, R42, R44, R48
R118, R126, R136, R139, R141
R127
R131
R2, R3, R46, R57

E.C.O. NO.

THIS DRAWING AND SPECIFICATIONS, HEREIN, ARE THE PROPERTY OF DIGITAL EQUIPMENT CORPORATION AND SHALL NOT BE REPRODUCED OR COPIED OR USED IN WHOLE OR IN PART AS THE BASIS FOR THE MANUFACTURE OR SALE OF ITEMS WITHOUT WRITTEN PERMISSION. COPYRIGHT © 1976 DIGITAL EQUIPMENT CORPORATION

**TITLE**  
OPTION BOARD #1

**ASSY NO.**  
D-UA-M8316-0-0

SIZE <b>B</b>	CODE <b>PL</b>	NUMBER M8316-0-0	REV. *
------------------	-------------------	---------------------	-----------

**SHEET 1 OF 4**

INSERTION PARTS LIST DATA BASE REV D

# DIGITAL EQUIPMENT CORPORATION

## PARTS LIST

### QUANTITY / VARIATION

### NOTES:

<b>MADE BY</b>	BOB KOPPENAL	<b>CHECKED</b>		<b>SECTION</b>	1
<b>DATE</b>	3-31-76	<b>DATE</b>		<b>ISSUED SECTION</b>	1
<b>ENG DATE</b>		<b>PROD DATE</b>			

M8316-0-0																			
-----------	--	--	--	--	--	--	--	--	--	--	--	--	--	--	--	--	--	--	--

REF DESIGNATION
R5, R8, R12, R15, R77, R78, R144, R145
R21, R23, R25, R27, R29, R31, R33, R35, R37, R39, R41, R43, R147 R200, R72
R4, R9, R11, R16
R6, R64
R1, R7, R10, R13, R14, R17-R20, R45, R47-R56, R71, R58-R63, R65-R69, R73-R76, R79-R81, R82-R94, R117, R96-R100, R104-R115, R119-R121, R128, R130, R132, R135, R140, R142, R143, R146, R168, R134
R116, R95
R199
Q1, Q2, Q6, Q8, Q9
Q3, Q4, Q5, Q7, Q10
Y1
E41, E43, E52, E64, E48, E49
E32, E35, E65
E12
E17
E8, E36, E51, E57
E23, E37
E59
E7
E4, E27, E33, E74, E68,

ITEM NO.	DRAWING NO.	PART NO.	DESCRIPTION	QTY
21		1301322	RES., 180, 1/4W, 5%	8
22		1300295	RES., 330, 1/4W, 5%	15
23		1300309	RES., 390, 1/4W, 5%	4
24		1300316	RES., 470, 1/4W, 5%	2
25		1300365	RES., 1K, 1/4W, 5%	83
26		1309405	RES., 68, 1/2W, 5%	2
27		1300250	RES., 150, 1/4W, 5%	1
28		1509338	TRANSISTOR, DEC 6531B	5
29		1503409-01	TRANSISTOR, DEC 6534B	5
30		1811660-02	CRYSTAL OSCILLATOR, 5.0688 MHZ	1
31		1912024	IC., 74LS74	6
32		1912799	IC., 74LS00	3
33		1912807	IC., 74LS10	1
34		1912815	IC., 74LS30	1
35		1912801	IC., 74LS02	4
36		1909053	IC., 74LS2	2
37		1909054	IC., 7493	1
38		1910537	IC., 74S11	1
39		1912803	IC., 74LS04	5

E.C.O. NO.



# DIGITAL EQUIPMENT CORPORATION

## PARTS LIST

### QUANTITY / VARIATION

### NOTES:

MADE BY BOB KOPPENAL	CHECKED	SECTION
DATE 4 NOV 76	DATE	
ENG	PROD	ISSUED SECTION
DATE	DATE	

ITEM NO.	DRAWING NO.	PART NO.	DESCRIPTION	M8316-0-0		REF DESIGNATION
40		1909705	IC., 8881	10		E40, E24, E54, E42, E46, E50, E66, E61, E75, E58
41		1909928	IC., 7416	2		E71, E76
42		1909929	IC., 7417	5		E6, E26, E31, E29, E21
43		1909935	IC., 8235	3		E5, E15, E60
44		1912819	IC., 74LS42	3		E19, E28, E25
45		1912805	IC., 74LS08	2		E34, E44
46		1910322	IC., 1488L	1		E38
47		1910323	IC., 1489L	1		E78
48		1909704	IC., 314A	1		E10
49		1911469	IC., 8640	1		E77
50		1910459	IC., 1602A (UART)	1		E47
51		1912853	IC., 74LS175	1		E56
52		1912697	IC., 74LS174	3		E55, E70, E72
53		1910091	IC., 7437	1		E39
54		1911315	IC., 8234	6		E1, E9, E14, E13, E45, E53
55		1911116	IC., 8837	6		E11, E16, E30, E22, E69, E73
56		2112023	IC., 5016 (BAUD RATE GEN.)	1		E62
57		23062A1	ROM #1 KLDK #1, 32 X 8	1		E18
58		23063A1	ROM #2 KLDK #2, 32 X 8	1		E20
59		1905575	IC., 7400	1		E3

E.C.O. NO.

# DIGITAL EQUIPMENT CORPORATION

## PARTS LIST

### QUANTITY / VARIATION

NOTES:

MADE BY JACK MASON  
DATE 13 APRIL 76  
ENG  
DATECHECKED  
DATE  
PROD  
DATESECTION  
ISSUED SECTION

QUANTITY / VARIATION										
MB316-Ø-Ø										

ITEM NO.	DRAWING NO.	PART NO.	DESCRIPTION
60		1905576	IC, ,7410
61		1909686	IC, ,7404
62		9006732	EYELET

REF DESIGNATION
E2
E63, E67

E.C.O. NO.

THIS DRAWING AND SPECIFICATIONS. HEREIN. ARE THE PROPERTY OF DIGITAL EQUIPMENT CORPORATION AND SHALL NOT BE REPRODUCED OR COPIED OR USED IN WHOLE OR IN PART AS THE BASIS FOR THE MANUFACTURE OR SALE OF ITEMS WITHOUT WRITTEN PERMISSION. COPYRIGHT © 1976 DIGITAL EQUIPMENT CORPORATION

TITLE  
OPTION BOARD #1ASSY NO.  
D-UA-M8316-Ø-Ø  
SHEET 4 OF 4SIZE CODE NUMBER  
B PL M8316-Ø-Ø  
INSERTION PARTS LIST DATA BASE REV DREV.  
\*