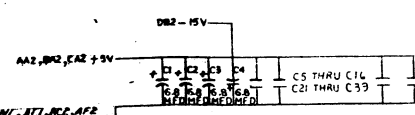
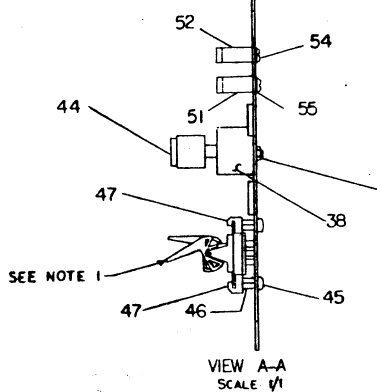


NOTES:
 1. ITEM NO. 46 (MOMENTARY SWITCH) TO BE INSTALLED IN THAT POSITION SHOWN IN DRAWING AS SHOWN IN THIS DRAWING ONLY.
 2. ITEM #2 (LIGHT EMITTING DIODE) MAY BE EITHER DEC 110625 OR 110664. THEY ARE TO BE USED WITH ITEMS #31-33 (LED HOLDERS) AS SHOWN BELOW.

ITEM #E	ITEM #S1	ITEM #S2
110625	1210735-1	1210740-1
110664	1210735-2	1210740-2

NO.	DESCRIPTION	QTY	REV.	DATE
1	RES, 1/4W, 10K	10	1	11/10/72
2	RES, 1/4W, 100K	10	1	11/10/72
3	RES, 1/4W, 100K	10	1	11/10/72
4	RES, 1/4W, 100K	10	1	11/10/72
5	RES, 1/4W, 100K	10	1	11/10/72
6	RES, 1/4W, 100K	10	1	11/10/72
7	RES, 1/4W, 100K	10	1	11/10/72
8	RES, 1/4W, 100K	10	1	11/10/72
9	RES, 1/4W, 100K	10	1	11/10/72
10	RES, 1/4W, 100K	10	1	11/10/72
11	RES, 1/4W, 100K	10	1	11/10/72
12	RES, 1/4W, 100K	10	1	11/10/72
13	RES, 1/4W, 100K	10	1	11/10/72
14	RES, 1/4W, 100K	10	1	11/10/72
15	RES, 1/4W, 100K	10	1	11/10/72
16	RES, 1/4W, 100K	10	1	11/10/72
17	RES, 1/4W, 100K	10	1	11/10/72
18	RES, 1/4W, 100K	10	1	11/10/72
19	RES, 1/4W, 100K	10	1	11/10/72
20	RES, 1/4W, 100K	10	1	11/10/72
21	RES, 1/4W, 100K	10	1	11/10/72
22	RES, 1/4W, 100K	10	1	11/10/72
23	RES, 1/4W, 100K	10	1	11/10/72
24	RES, 1/4W, 100K	10	1	11/10/72
25	RES, 1/4W, 100K	10	1	11/10/72
26	RES, 1/4W, 100K	10	1	11/10/72
27	RES, 1/4W, 100K	10	1	11/10/72
28	RES, 1/4W, 100K	10	1	11/10/72
29	RES, 1/4W, 100K	10	1	11/10/72
30	RES, 1/4W, 100K	10	1	11/10/72
31	RES, 1/4W, 100K	10	1	11/10/72
32	RES, 1/4W, 100K	10	1	11/10/72
33	RES, 1/4W, 100K	10	1	11/10/72
34	RES, 1/4W, 100K	10	1	11/10/72
35	RES, 1/4W, 100K	10	1	11/10/72
36	RES, 1/4W, 100K	10	1	11/10/72
37	RES, 1/4W, 100K	10	1	11/10/72
38	RES, 1/4W, 100K	10	1	11/10/72
39	RES, 1/4W, 100K	10	1	11/10/72
40	RES, 1/4W, 100K	10	1	11/10/72
41	RES, 1/4W, 100K	10	1	11/10/72
42	RES, 1/4W, 100K	10	1	11/10/72
43	RES, 1/4W, 100K	10	1	11/10/72
44	RES, 1/4W, 100K	10	1	11/10/72
45	RES, 1/4W, 100K	10	1	11/10/72
46	RES, 1/4W, 100K	10	1	11/10/72
47	RES, 1/4W, 100K	10	1	11/10/72
48	RES, 1/4W, 100K	10	1	11/10/72
49	RES, 1/4W, 100K	10	1	11/10/72
50	RES, 1/4W, 100K	10	1	11/10/72
51	RES, 1/4W, 100K	10	1	11/10/72
52	RES, 1/4W, 100K	10	1	11/10/72
53	RES, 1/4W, 100K	10	1	11/10/72
54	RES, 1/4W, 100K	10	1	11/10/72
55	RES, 1/4W, 100K	10	1	11/10/72
56	RES, 1/4W, 100K	10	1	11/10/72
57	RES, 1/4W, 100K	10	1	11/10/72
58	RES, 1/4W, 100K	10	1	11/10/72
59	RES, 1/4W, 100K	10	1	11/10/72
60	RES, 1/4W, 100K	10	1	11/10/72
61	RES, 1/4W, 100K	10	1	11/10/72
62	RES, 1/4W, 100K	10	1	11/10/72
63	RES, 1/4W, 100K	10	1	11/10/72
64	RES, 1/4W, 100K	10	1	11/10/72
65	RES, 1/4W, 100K	10	1	11/10/72
66	RES, 1/4W, 100K	10	1	11/10/72
67	RES, 1/4W, 100K	10	1	11/10/72
68	RES, 1/4W, 100K	10	1	11/10/72
69	RES, 1/4W, 100K	10	1	11/10/72
70	RES, 1/4W, 100K	10	1	11/10/72
71	RES, 1/4W, 100K	10	1	11/10/72
72	RES, 1/4W, 100K	10	1	11/10/72
73	RES, 1/4W, 100K	10	1	11/10/72
74	RES, 1/4W, 100K	10	1	11/10/72
75	RES, 1/4W, 100K	10	1	11/10/72
76	RES, 1/4W, 100K	10	1	11/10/72
77	RES, 1/4W, 100K	10	1	11/10/72
78	RES, 1/4W, 100K	10	1	11/10/72
79	RES, 1/4W, 100K	10	1	11/10/72
80	RES, 1/4W, 100K	10	1	11/10/72
81	RES, 1/4W, 100K	10	1	11/10/72
82	RES, 1/4W, 100K	10	1	11/10/72
83	RES, 1/4W, 100K	10	1	11/10/72
84	RES, 1/4W, 100K	10	1	11/10/72
85	RES, 1/4W, 100K	10	1	11/10/72
86	RES, 1/4W, 100K	10	1	11/10/72
87	RES, 1/4W, 100K	10	1	11/10/72
88	RES, 1/4W, 100K	10	1	11/10/72
89	RES, 1/4W, 100K	10	1	11/10/72
90	RES, 1/4W, 100K	10	1	11/10/72
91	RES, 1/4W, 100K	10	1	11/10/72
92	RES, 1/4W, 100K	10	1	11/10/72
93	RES, 1/4W, 100K	10	1	11/10/72
94	RES, 1/4W, 100K	10	1	11/10/72
95	RES, 1/4W, 100K	10	1	11/10/72
96	RES, 1/4W, 100K	10	1	11/10/72
97	RES, 1/4W, 100K	10	1	11/10/72
98	RES, 1/4W, 100K	10	1	11/10/72
99	RES, 1/4W, 100K	10	1	11/10/72
100	RES, 1/4W, 100K	10	1	11/10/72

REV	DATE	BY	CHKD	DESCRIPTION
DEC 7417E	8	FL		
DEC 931E	8	FL		
DEC 538E	1	0		
DEC 823E	8	FL		
DEC 539E	1	0		
DEC 531E	1	0		



REV	DATE	BY	CHKD	DESCRIPTION
DEC 3009E	24	3009E		
DEC 2904	24	32		
DEC 3009E	24	3009E		

FRONT PNL CONT ECARD

Equipment Corporation

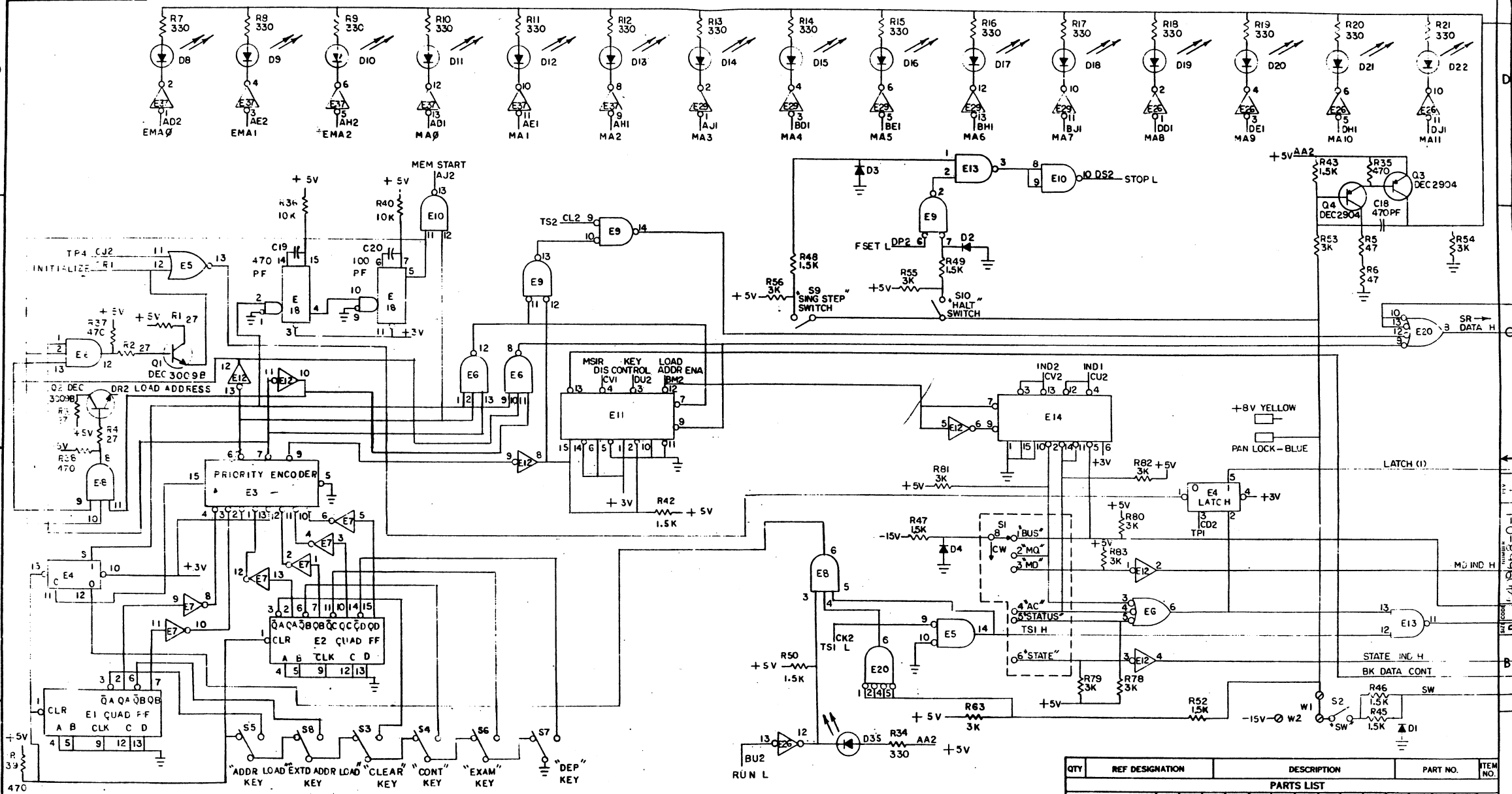
DEC 3009E

REV 1

1 of 1

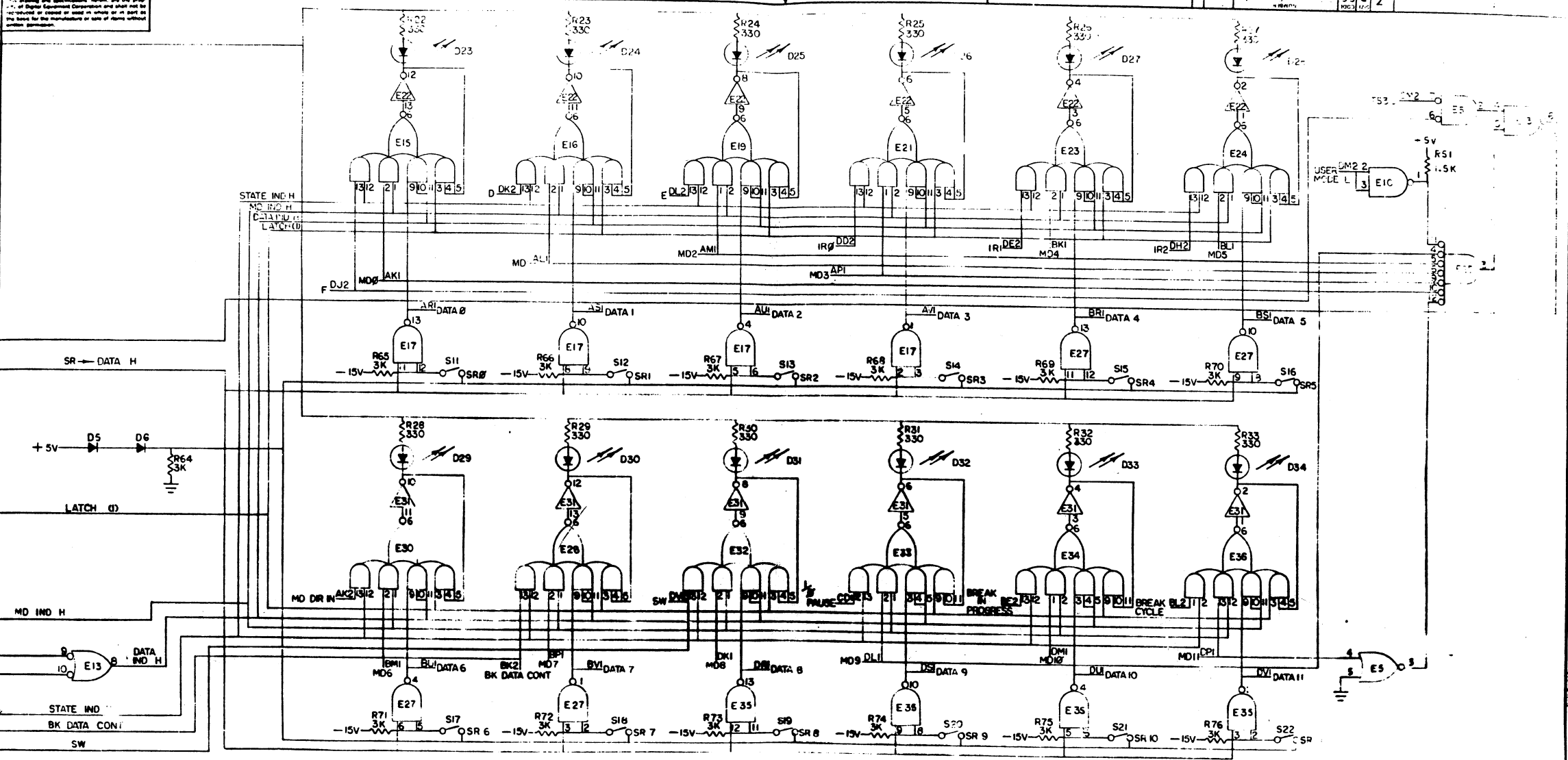
This drawing and specifications, herein, are the property of Digital Equipment Corporation and shall not be reproduced or used in whole or in part for the manufacture of any device without the express written permission of Digital Equipment Corporation.

1-0-0-1 DCS 5409668-8



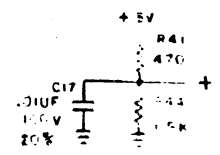
QTY	REF DESIGNATION	DESCRIPTION	PART NO.	ITEM NO.
PARTS LIST				
ETCH BOARD REV F				
digital EQUIPMENT CORPORATION MAYNARD, MASSACHUSETTS				
FRONT PANEL CONT BOARD				
DEC NO.	QTY NO.	DEC NO.	EIA NO.	REV.
SEMICONDUCTOR CONVERSION CHART				
SHEET 1 OF 2		DWT.		1

Engineering and specifications herein are the property of Digital Equipment Corporation and shall not be reproduced or used in whole or in part as the basis for the manufacture of any device without written permission.

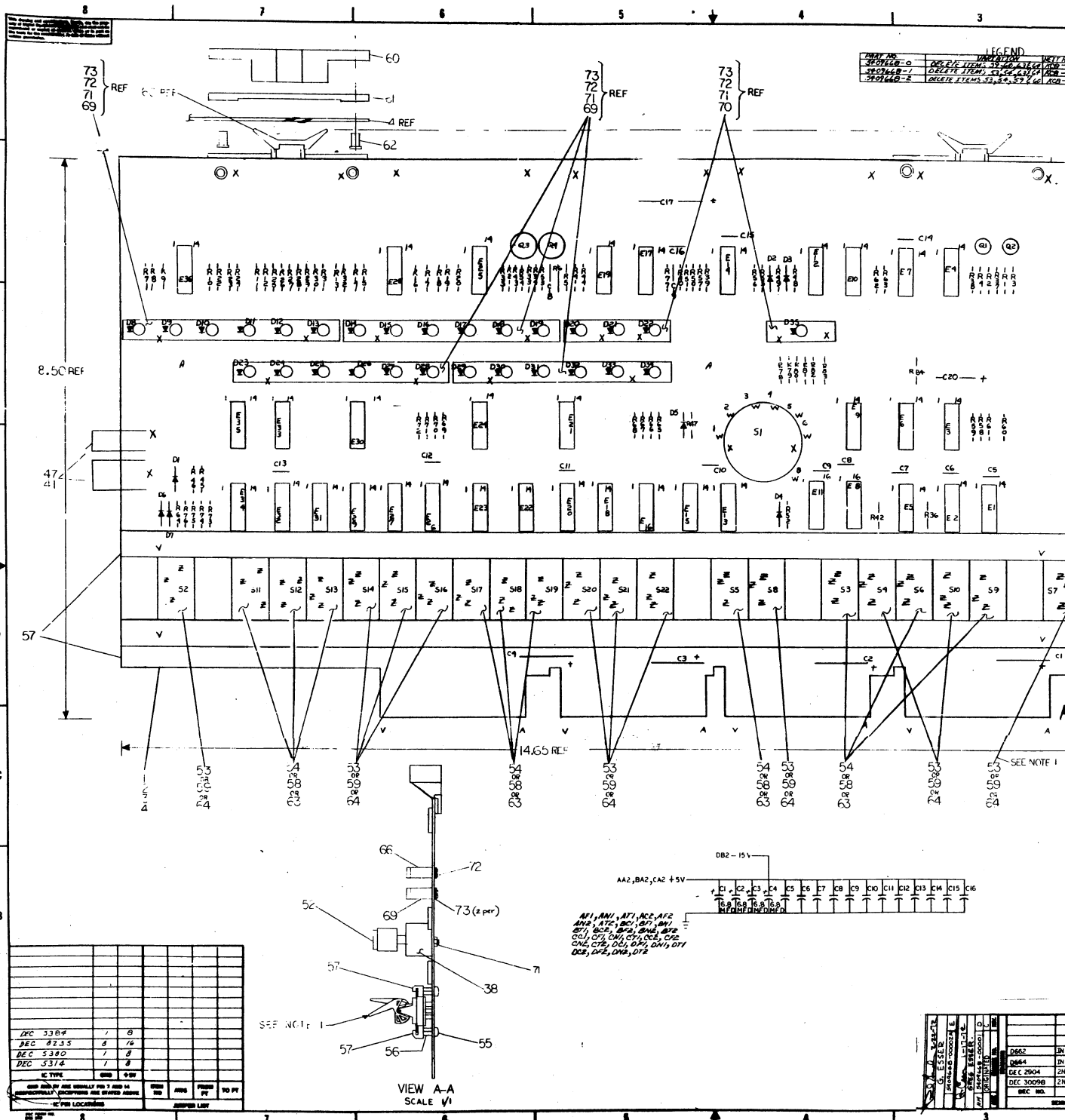


UNLESS OTHERWISE INDICATED:
 CAPACITORS ARE 100% TOL.
 SWITCHES ARE SLIDE TYPE, PART NO. 10926
 RESISTORS ARE 3% TOL.
 IC'S ARE DEC 7400 = E 3

- 7411 = E 8
- 7404 = E 7, E 12, E 13, E 31
- 7417 = E 6
- 7475 = E 26, E 29, E 37
- 7441 = E 2
- 7413 = E 5, E 16, E 15, E 21, E 23, E 24, E 25, E 30, E 32, E 33, E 34, E 36
- 7472 = E 4
- 5330 = E 5
- 5340 = E 6
- 5342 = E 7
- 5210 = E 11, E 14
- 5312 = E 3
- 7440 = E 10, E 11, E 27, E 35
- 74123 = E 18
- 74175 = E 1, E 2



QTY	REF DESIGNATION	DESCRIPTION	PART NO.	ITEM NO.
PARTS LIST				
ETCH BOARD REV F				
DATE 10-20-71		DIGITAL EQUIPMENT CORPORATION		
DATE 10-20-71		TITLE FRONT PANEL CONT BOARD		
DATE 10-20-71		NEXT HIGHER ASSY		
DEC NO.	EIA NO.	DEC NO.	EIA NO.	SCALE
SEMICONDUCTOR CONVERSION CHART				SHEET 2 OF 2
SIZE CODE DCS				NUMBER 5409668-0-1



LEGEND

SWITCH - 0	DELETE ITEMS 33, 34, 35, 36, 37, 38, 39	WELL HIGHER BODY
SWITCH - 1	DELETE ITEMS 33, 34, 35, 36, 37, 38, 39	
SWITCH - 2	DELETE ITEMS 33, 34, 35, 36, 37, 38, 39	

NOTES:

- ITEM NO. 38 (MOMENTARY SWITCH) TO BE INSTALLED AS THAT SWITCH HANDLE IS DOWN AND IN THE POSITION THIS LOCATION ONLY.

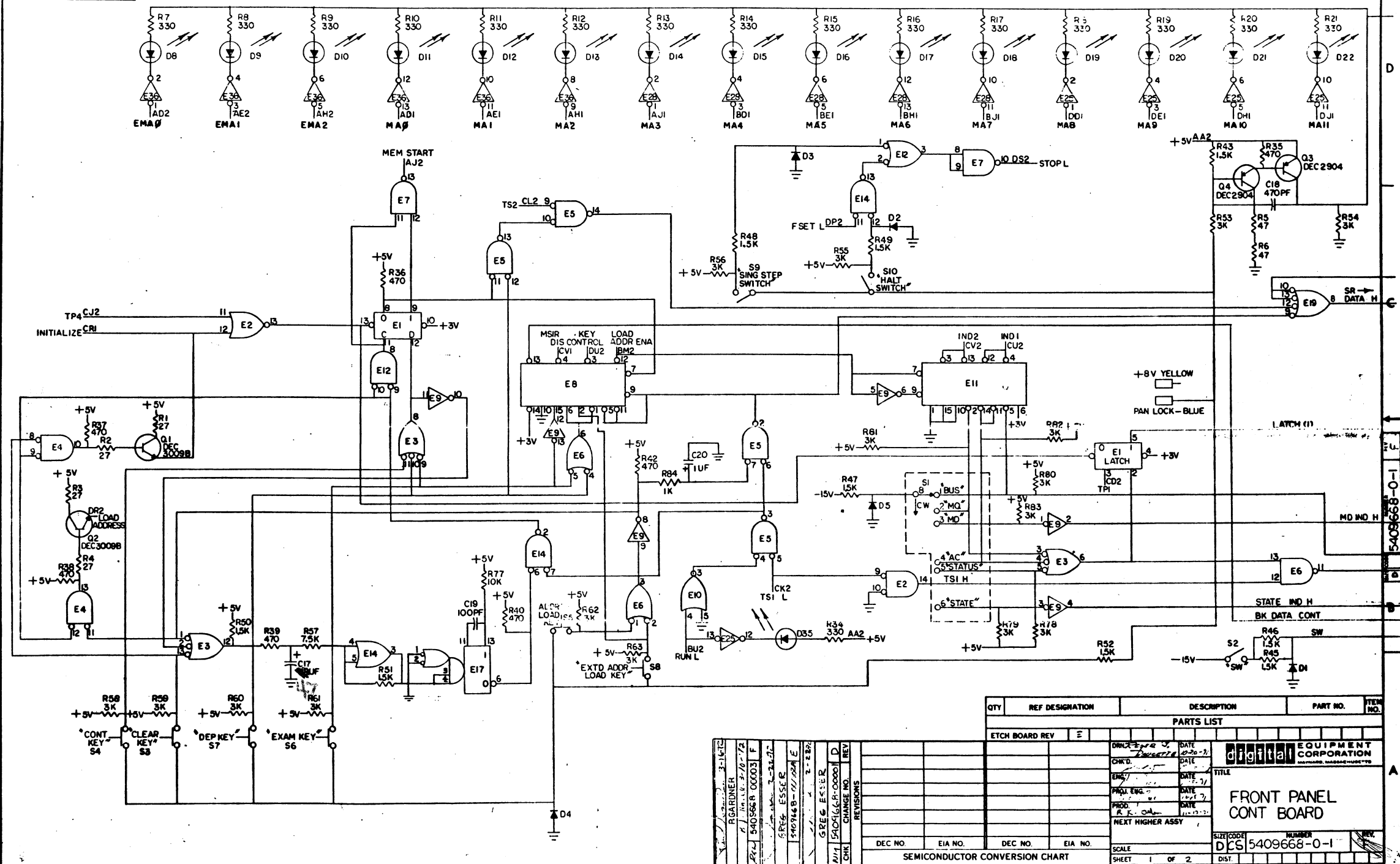
REV.	DATE	DESCRIPTION
DEC 3384	1	B
DEC 8235	8	16
DEC 5380	1	B
DEC 5312	1	B

1	C20	LAP 1 1/4 35V 102	10 01176	76
1	R57	RES 1K 1/4W 5% 11	00365	77
2	W	WIRON WASHIE PLAT #4 WALE	0006206	78
2	W	SC8 SUCTED BRDR #4 1/4 W	0006016	79
2	W	WOP 1/4 1/2 W OF .80 X 3/4 TOL	0005576	80
4		L.E.D. SUPPORT	7407367-03	81
4		L.E.D. SUPPORT	1210775	82
2		WASHIE BRDR #4 1/4 W	0006206	83
2		WOP 1/4 1/2 W OF .80 X 3/4 TOL	0005576	84
10		ALUMINA HANDLE TERRA COYDA	1203887-7	85
10		ALUMINA HANDLE TERRA COYDA	1203887-7	86
3		ALUMINA HANDLE TERRA COYDA	1203887-7	87
3		ALUMINA HANDLE TERRA COYDA	1203887-7	88
10		ALUMINA HANDLE TERRA COYDA	1203887-7	89
10		ALUMINA HANDLE TERRA COYDA	1203887-7	90
10		ALUMINA HANDLE TERRA COYDA	1203887-7	91
10		ALUMINA HANDLE TERRA COYDA	1203887-7	92
10		ALUMINA HANDLE TERRA COYDA	1203887-7	93
10		ALUMINA HANDLE TERRA COYDA	1203887-7	94
10		ALUMINA HANDLE TERRA COYDA	1203887-7	95
10		ALUMINA HANDLE TERRA COYDA	1203887-7	96
10		ALUMINA HANDLE TERRA COYDA	1203887-7	97
10		ALUMINA HANDLE TERRA COYDA	1203887-7	98
10		ALUMINA HANDLE TERRA COYDA	1203887-7	99
10		ALUMINA HANDLE TERRA COYDA	1203887-7	100

FRONT PANEL CONTROL CARD

DATE	BY	CHKD BY	APPROVED
DEC 3008	2N132		
DEC 3009	2N3009B		
DEC 3010	2N3009B		
DEC 3011	2N3009B		
DEC 3012	2N3009B		
DEC 3013	2N3009B		
DEC 3014	2N3009B		
DEC 3015	2N3009B		
DEC 3016	2N3009B		
DEC 3017	2N3009B		
DEC 3018	2N3009B		
DEC 3019	2N3009B		
DEC 3020	2N3009B		
DEC 3021	2N3009B		
DEC 3022	2N3009B		
DEC 3023	2N3009B		
DEC 3024	2N3009B		
DEC 3025	2N3009B		
DEC 3026	2N3009B		
DEC 3027	2N3009B		
DEC 3028	2N3009B		
DEC 3029	2N3009B		
DEC 3030	2N3009B		
DEC 3031	2N3009B		
DEC 3032	2N3009B		
DEC 3033	2N3009B		
DEC 3034	2N3009B		
DEC 3035	2N3009B		
DEC 3036	2N3009B		
DEC 3037	2N3009B		
DEC 3038	2N3009B		
DEC 3039	2N3009B		
DEC 3040	2N3009B		
DEC 3041	2N3009B		
DEC 3042	2N3009B		
DEC 3043	2N3009B		
DEC 3044	2N3009B		
DEC 3045	2N3009B		
DEC 3046	2N3009B		
DEC 3047	2N3009B		
DEC 3048	2N3009B		
DEC 3049	2N3009B		
DEC 3050	2N3009B		
DEC 3051	2N3009B		
DEC 3052	2N3009B		
DEC 3053	2N3009B		
DEC 3054	2N3009B		
DEC 3055	2N3009B		
DEC 3056	2N3009B		
DEC 3057	2N3009B		
DEC 3058	2N3009B		
DEC 3059	2N3009B		
DEC 3060	2N3009B		

This drawing and specifications, herein, are the property of Digital Equipment Corporation and shall not be reproduced or copied or used in whole or in part as the basis for the manufacture or sale of items without written permission.



QTY	REF DESIGNATION	DESCRIPTION	PART NO.	ITEM NO.
PARTS LIST				
ETCH BOARD REV E				
digital EQUIPMENT CORPORATION BOSTON, MASSACHUSETTS				
FRONT PANEL CONT BOARD				
DEC NO. _____ EIA NO. _____ SCALE _____ SHEET 1 OF 2		DATE _____ CHK'D. _____ ENG'G. _____ PROD. _____ NEXT HIGHER ASSY _____		
SIZE CODE _____ NUMBER _____ DIST. _____				

REV	DATE	BY	CHK'D.
1	11-10-71	GREG. ESSER	GREG. ESSER
2	11-10-71	GREG. ESSER	GREG. ESSER
3	11-10-71	GREG. ESSER	GREG. ESSER
4	11-10-71	GREG. ESSER	GREG. ESSER
5	11-10-71	GREG. ESSER	GREG. ESSER
6	11-10-71	GREG. ESSER	GREG. ESSER
7	11-10-71	GREG. ESSER	GREG. ESSER
8	11-10-71	GREG. ESSER	GREG. ESSER
9	11-10-71	GREG. ESSER	GREG. ESSER
10	11-10-71	GREG. ESSER	GREG. ESSER

DEC NO.	EIA NO.	DEC NO.	EIA NO.