

LEGEND

PART NO	ITEM # 59	ITEM # 60	PART NO	ITEM # 60	ITEM # 60
5009628-2	TRANS-TRM	TRANS-TRM	5009628-2	TRANS-TRM	TRANS-TRM
5009629-1	TRANS-TRM	TRANS-TRM	5009629-1	TRANS-TRM	TRANS-TRM
5009630-0	TRANS-TRM	TRANS-TRM	5009630-0	TRANS-TRM	TRANS-TRM

NOTES:

- ITEM NO. 40 (MOUNTING BRUSH) TO BE INSTALLED TO MATCH BOARD MOUNTING IS LONGER IN POSITION THIS LOCATION ONLY.
- ITEM #12 (LIGHT EMITTING DIODE) MAY BE EITHER DEC 110625 OR 110664. THEY ARE TO BE USED WITH ITEMS #31, #32 (LED HOLDERS) AS SHOWN BELOW.

ITEM #1	ITEM #31	ITEM #32
110625	1210755-1	1210940-1
110664	1210755-2	1210940-2

8.50R

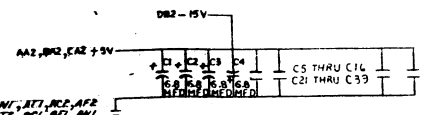
43.41

47

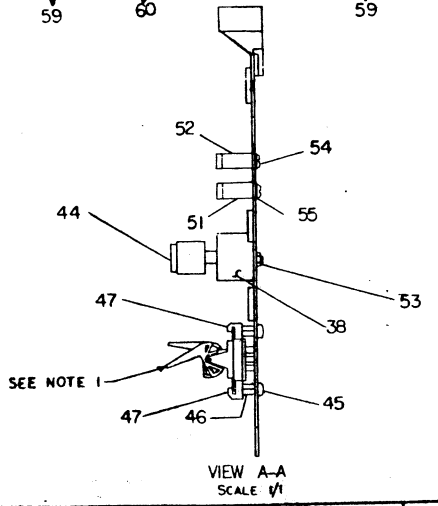
4.65REF.

SEE NOTE 1

ITEM #	DESCRIPTION	QTY	REF.
11	WASHER	1	
12	WASHER	1	
13	WASHER	1	
14	WASHER	1	
15	WASHER	1	
16	WASHER	1	
17	WASHER	1	
18	WASHER	1	
19	WASHER	1	
20	WASHER	1	
21	WASHER	1	
22	WASHER	1	
23	WASHER	1	
24	WASHER	1	
25	WASHER	1	
26	WASHER	1	
27	WASHER	1	
28	WASHER	1	
29	WASHER	1	
30	WASHER	1	
31	WASHER	1	
32	WASHER	1	
33	WASHER	1	
34	WASHER	1	
35	WASHER	1	
36	WASHER	1	
37	WASHER	1	
38	WASHER	1	
39	WASHER	1	
40	WASHER	1	
41	WASHER	1	
42	WASHER	1	
43	WASHER	1	
44	WASHER	1	
45	WASHER	1	
46	WASHER	1	
47	WASHER	1	
48	WASHER	1	
49	WASHER	1	
50	WASHER	1	
51	WASHER	1	
52	WASHER	1	
53	WASHER	1	
54	WASHER	1	
55	WASHER	1	
56	WASHER	1	
57	WASHER	1	
58	WASHER	1	
59	WASHER	1	
60	WASHER	1	



REV	DATE	BY	CHKD	APP'D
DEC 7417E	8	FL		
DEC 931E	8	14		
DEC 538E	1	8		
DEC 823E	6	16		
DEC 539E	1	8		
DEC 5314	1	8		

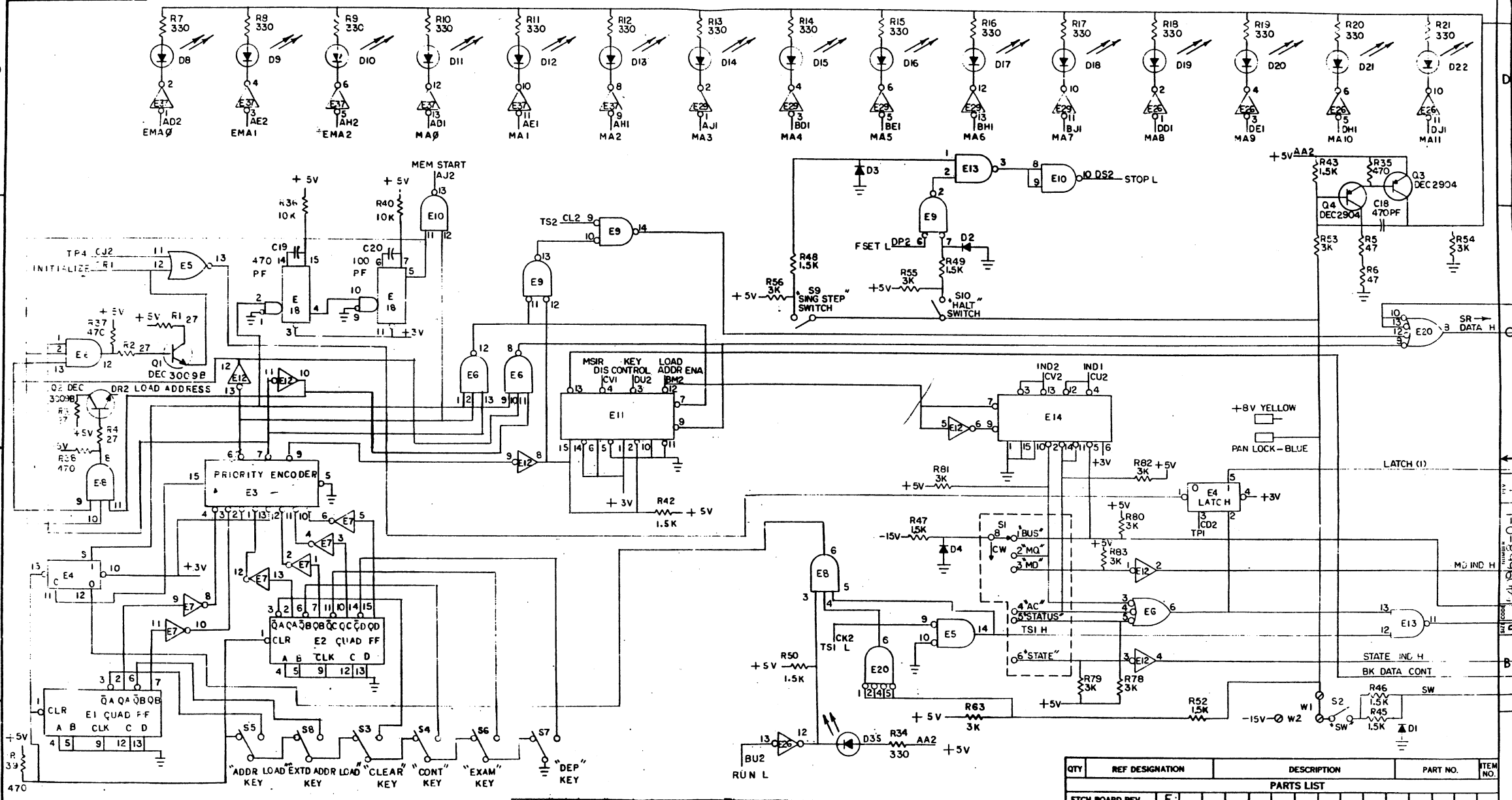


REV	DATE	BY	CHKD	APP'D
DEC 3904	28	32		
DEC 3009B	24	3009B		

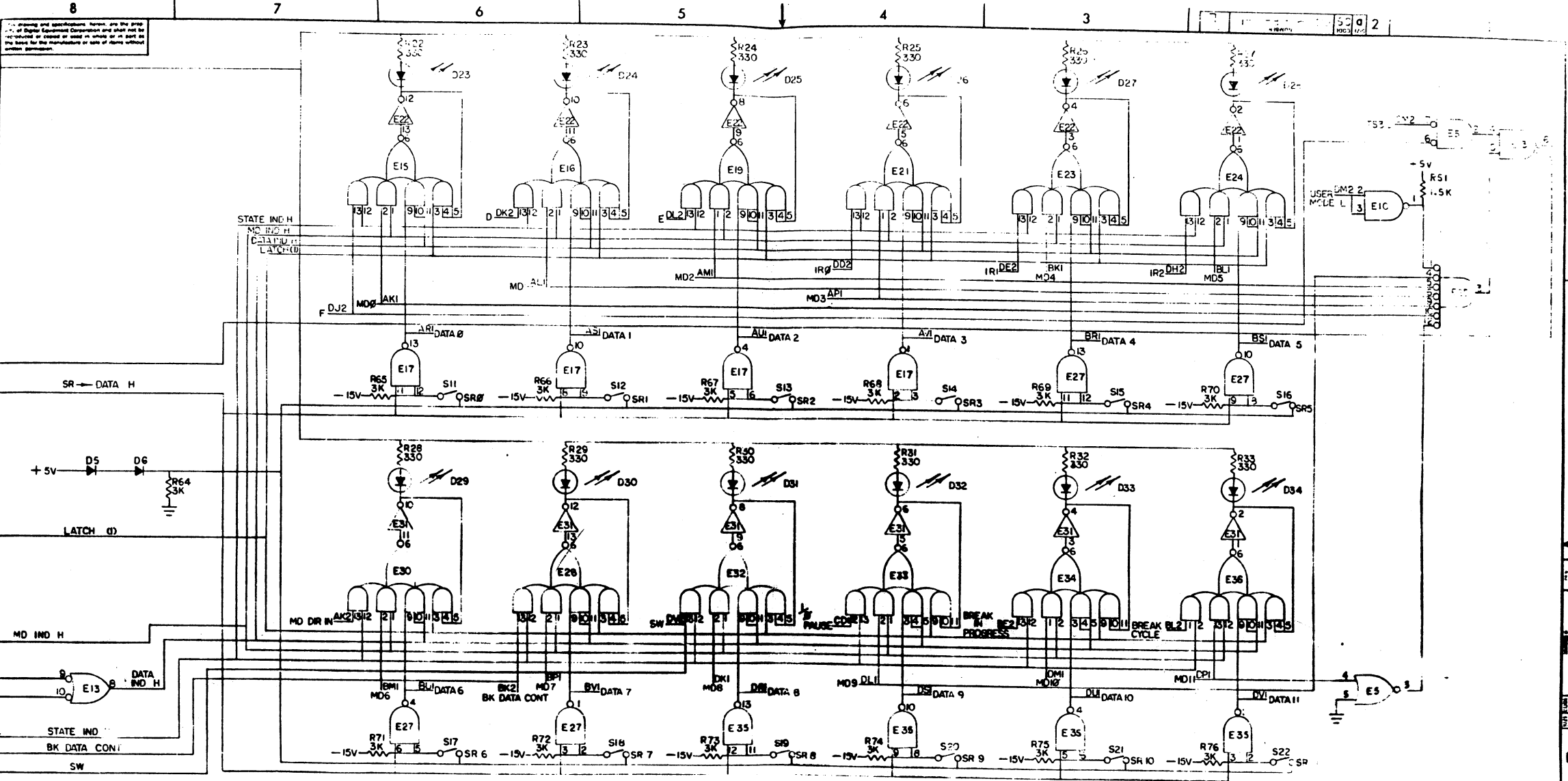
REV	DATE	BY	CHKD	APP'D
DEC 3904	28	32		
DEC 3009B	24	3009B		

FRONT PIN CONT. CARD

This drawing and specifications, herein, are the property of Digital Equipment Corporation and shall not be reproduced or used in whole or in part without the written permission of Digital Equipment Corporation.

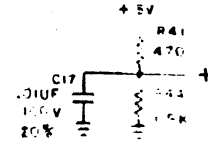


QTY	REF DESIGNATION	DESCRIPTION	PART NO.	ITEM NO.
PARTS LIST				
ETCH BOARD REV F				
DATE 8-28-72		digital EQUIPMENT CORPORATION MAYNARD, MASSACHUSETTS		
CHKD. [Signature]		TITLE		
DATE 8-28-72		FRONT PANEL CONT BOARD		
DRAWN [Signature]		DATE 8-28-72		
PROJ. NO. 5409668-8		DATE 11-17-72		
MATERIAL [Signature]		DATE 11-17-72		
NEXT HIGHER ASSY		SIZE CODE		
DATE 11-17-72		NUMBER		REV.
DIMS.		DCS 5409668-0-1		L
SEMICONDUCTOR CONVERSION CHART				
DEC NO.	QIA NO.	DEC NO.	EIA NO.	
SHEET 1 OF 2				

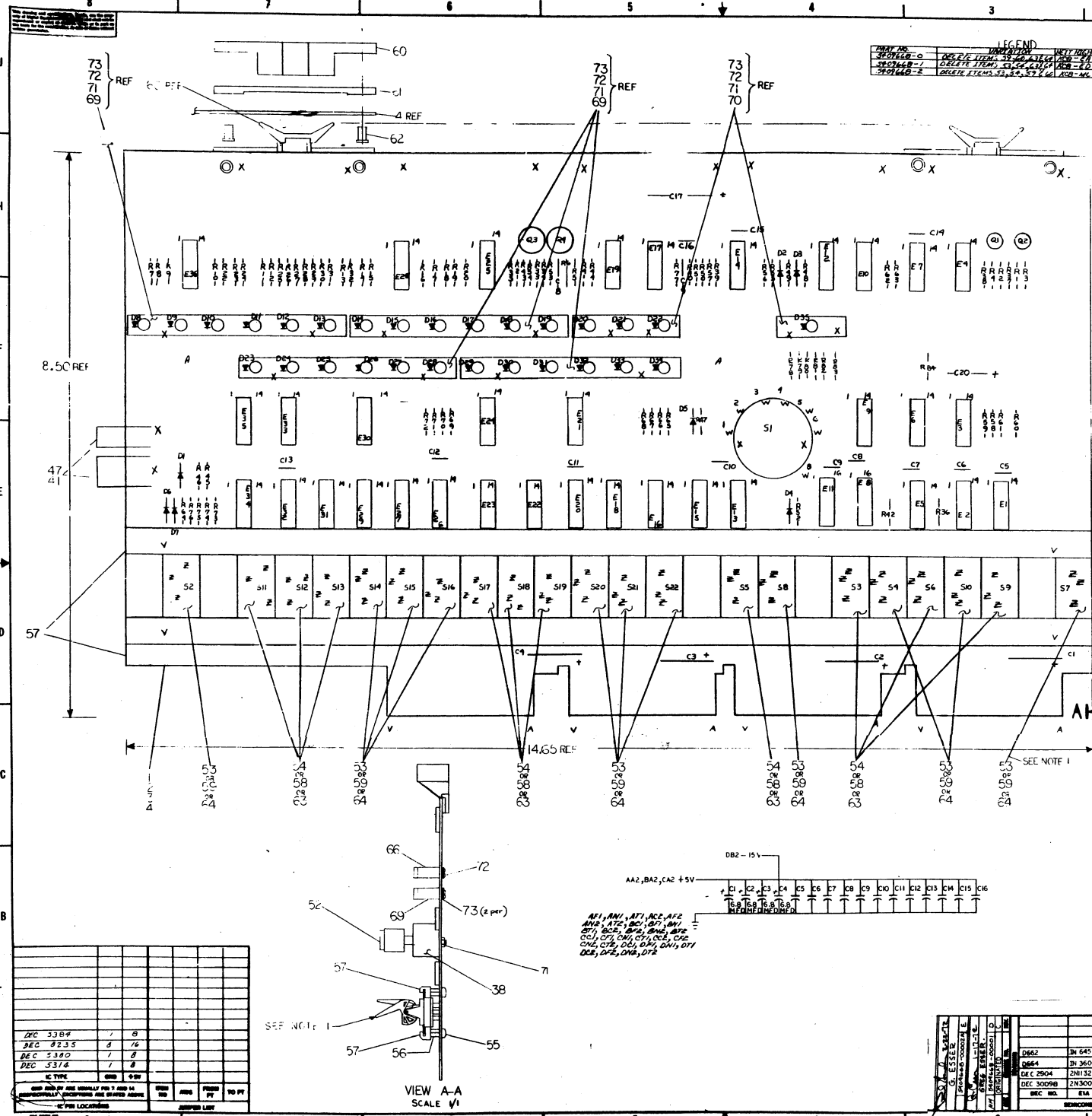


Working and specifications herein are the property of Digital Equipment Corporation and shall not be reproduced or used in whole or in part as the basis for the manufacture or sale of items without written permission.

- UNLESS OTHERWISE INDICATED:
 CAPACITORS ARE 100% TOL.
 RESISTORS ARE 1% TOL.
 SWITCHES ARE SLIDE TYPE, PART NO. 10926
 RESISTORS ARE 3K, 4K, 5K, 10K, 15K, 20K
 IC'S ARE DEC 7400 = E 3
- 74111 = E 8
 - 74104 = E 7, E 12, E 13, E 31
 - 74107 = E 6
 - 74108 = E 26, E 29, E 37
 - 74101 = E 2
 - 74103 = E 15, E 16, E 19, E 21, E 23, E 24, E 25, E 30, E 32, E 33, E 34, E 36
 - 74105 = E 4
 - 74109 = E 5
 - 74110 = E 11, E 14
 - 74106 = E 1
 - 74102 = E 10, E 17, E 27, E 35
 - 74123 = E 18
 - 74175 = E 1, E 2



QTY	REF DESIGNATION	DESCRIPTION	PART NO.	ITEM NO.
PARTS LIST				
ETCH BOARD REV	F			
DATE	10-10-64	DATE	10-22-64	DATE
OR'D BY	W. H. HARRIS	DATE	10-10-64	DATE
ENG. BY		DATE		DATE
PROG. BY		DATE		DATE
DATE		DATE		DATE
DATE		DATE		DATE
NEXT HIGHER ASSY				DATE
DEC NO.	EIA NO.	DEC NO.	EIA NO.	DATE
SEMICONDUCTOR CONVERSION CHART				DATE
SCALE	2 OF 2	DATE	10-22-64	DATE
SHEET				
TITLE				DATE
FRONT PANEL CONT BOARD				DATE
SIZE CODE	DCS 540966P-0-1	NUMBER		
DIST.				

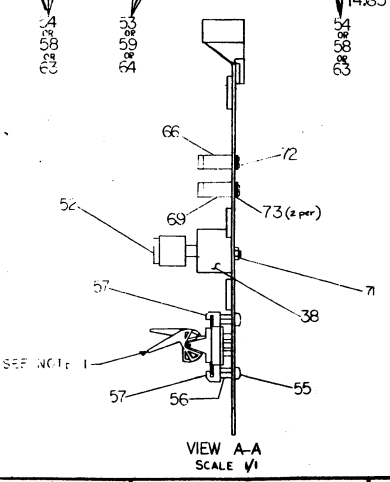


LEGEND

SWITCHER-0	DELETE ITEM 33	WELLY HIGHER RISK
SWITCHER-1	DELETE ITEM 33	WELLY HIGHER RISK
SWITCHER-2	DELETE ITEM 33	WELLY HIGHER RISK

NOTES:
 1. ITEM NO. 38 (MOMENTARY SWITCH) TO BE INSTALLED SO THAT SWICHER HANDLE IS DOWN AND IN OFF POSITION THIS LOCATION ONLY.

REV	DATE	BY	CHKD	DESCRIPTION
1	DEC 5384	J	B	
2	DEC 8235	J	16	
3	DEC 5380	J	8	
4	DEC 5376	J	8	

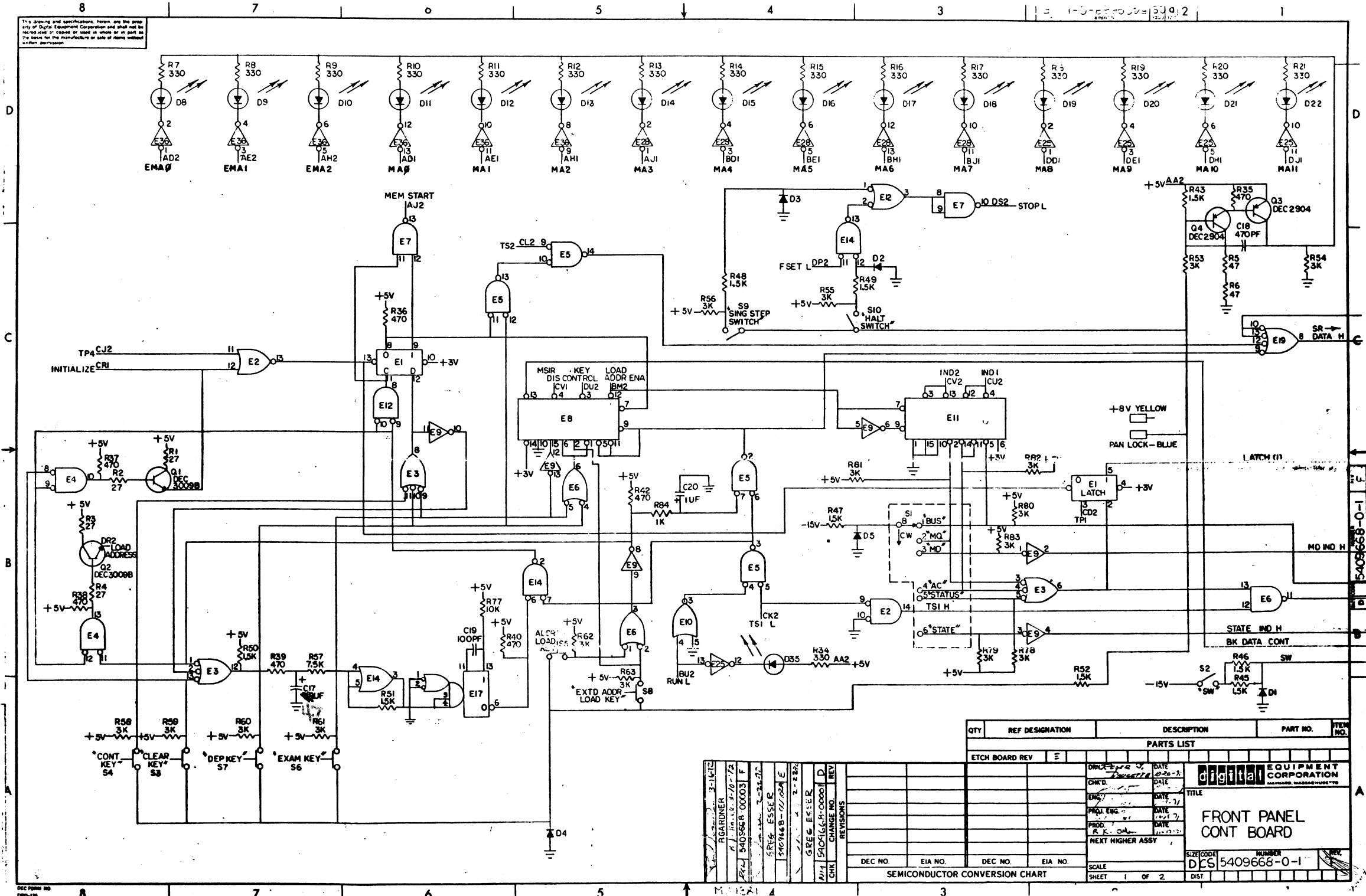


1	C20	LAP 1V 35V 10A	10 01776	74
1	R57	RES 1K 1/4W 5%	13 00365	74
2	24	WIKON WASHER 1/4" X 1/8" X 1/4"	0906206	72
2	25	SCB SLOTTED BUSHING 1/8" X 1/4" X 1/8"	0906016	72
2	26	WOP KEY W/SP-R07 X 1/4" X 1/8"	1000556	72
2	4	L.E.D. SUPPORT	740936	70
2	4	L.E.D. SUPPORT	1210775	67
2	2	SWITCHER-0	0906016	72
2	2	SWITCHER-1	0906016	72
2	2	SWITCHER-2	0906016	72
2	2	SWITCHER-3	0906016	72
2	2	SWITCHER-4	0906016	72
2	2	SWITCHER-5	0906016	72
2	2	SWITCHER-6	0906016	72
2	2	SWITCHER-7	0906016	72
2	2	SWITCHER-8	0906016	72
2	2	SWITCHER-9	0906016	72
2	2	SWITCHER-10	0906016	72
2	2	SWITCHER-11	0906016	72
2	2	SWITCHER-12	0906016	72
2	2	SWITCHER-13	0906016	72
2	2	SWITCHER-14	0906016	72
2	2	SWITCHER-15	0906016	72
2	2	SWITCHER-16	0906016	72
2	2	SWITCHER-17	0906016	72
2	2	SWITCHER-18	0906016	72
2	2	SWITCHER-19	0906016	72
2	2	SWITCHER-20	0906016	72
2	2	SWITCHER-21	0906016	72
2	2	SWITCHER-22	0906016	72
2	2	SWITCHER-23	0906016	72
2	2	SWITCHER-24	0906016	72
2	2	SWITCHER-25	0906016	72
2	2	SWITCHER-26	0906016	72
2	2	SWITCHER-27	0906016	72
2	2	SWITCHER-28	0906016	72
2	2	SWITCHER-29	0906016	72
2	2	SWITCHER-30	0906016	72
2	2	SWITCHER-31	0906016	72
2	2	SWITCHER-32	0906016	72
2	2	SWITCHER-33	0906016	72
2	2	SWITCHER-34	0906016	72
2	2	SWITCHER-35	0906016	72
2	2	SWITCHER-36	0906016	72
2	2	SWITCHER-37	0906016	72
2	2	SWITCHER-38	0906016	72
2	2	SWITCHER-39	0906016	72
2	2	SWITCHER-40	0906016	72
2	2	SWITCHER-41	0906016	72
2	2	SWITCHER-42	0906016	72
2	2	SWITCHER-43	0906016	72
2	2	SWITCHER-44	0906016	72
2	2	SWITCHER-45	0906016	72
2	2	SWITCHER-46	0906016	72
2	2	SWITCHER-47	0906016	72
2	2	SWITCHER-48	0906016	72
2	2	SWITCHER-49	0906016	72
2	2	SWITCHER-50	0906016	72
2	2	SWITCHER-51	0906016	72
2	2	SWITCHER-52	0906016	72
2	2	SWITCHER-53	0906016	72
2	2	SWITCHER-54	0906016	72
2	2	SWITCHER-55	0906016	72
2	2	SWITCHER-56	0906016	72
2	2	SWITCHER-57	0906016	72
2	2	SWITCHER-58	0906016	72
2	2	SWITCHER-59	0906016	72
2	2	SWITCHER-60	0906016	72
2	2	SWITCHER-61	0906016	72
2	2	SWITCHER-62	0906016	72
2	2	SWITCHER-63	0906016	72
2	2	SWITCHER-64	0906016	72
2	2	SWITCHER-65	0906016	72
2	2	SWITCHER-66	0906016	72
2	2	SWITCHER-67	0906016	72
2	2	SWITCHER-68	0906016	72
2	2	SWITCHER-69	0906016	72
2	2	SWITCHER-70	0906016	72
2	2	SWITCHER-71	0906016	72
2	2	SWITCHER-72	0906016	72
2	2	SWITCHER-73	0906016	72
2	2	SWITCHER-74	0906016	72
2	2	SWITCHER-75	0906016	72
2	2	SWITCHER-76	0906016	72
2	2	SWITCHER-77	0906016	72
2	2	SWITCHER-78	0906016	72
2	2	SWITCHER-79	0906016	72
2	2	SWITCHER-80	0906016	72
2	2	SWITCHER-81	0906016	72
2	2	SWITCHER-82	0906016	72
2	2	SWITCHER-83	0906016	72
2	2	SWITCHER-84	0906016	72
2	2	SWITCHER-85	0906016	72
2	2	SWITCHER-86	0906016	72
2	2	SWITCHER-87	0906016	72
2	2	SWITCHER-88	0906016	72
2	2	SWITCHER-89	0906016	72
2	2	SWITCHER-90	0906016	72
2	2	SWITCHER-91	0906016	72
2	2	SWITCHER-92	0906016	72
2	2	SWITCHER-93	0906016	72
2	2	SWITCHER-94	0906016	72
2	2	SWITCHER-95	0906016	72
2	2	SWITCHER-96	0906016	72
2	2	SWITCHER-97	0906016	72
2	2	SWITCHER-98	0906016	72
2	2	SWITCHER-99	0906016	72
2	2	SWITCHER-100	0906016	72

ETCH BOARD REV	E
DATE	DEC 5384
BY	J
CHKD	B
REV	1
DATE	DEC 5384
BY	J
CHKD	B
REV	1

EQUIPMENT CORPORATION
FRONT PNL CONTROL CARD
REV 1
DATE DEC 5384

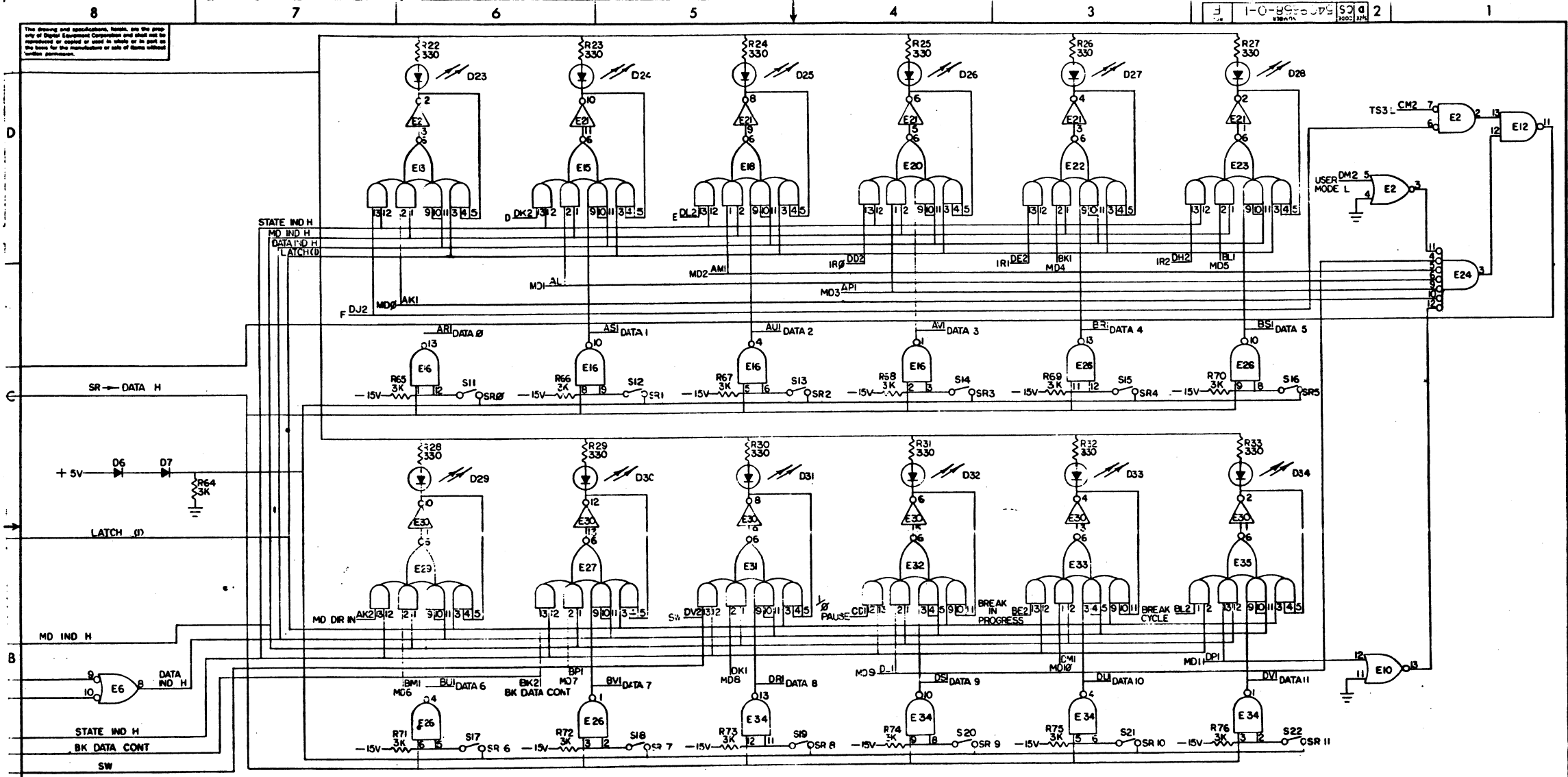
This drawing and specifications, herein are the property of Digital Equipment Corporation and shall not be reproduced or copied or used in whole or in part as the basis for the manufacture or sale of items without written permission.



QTY	REF DESIGNATION	DESCRIPTION	PART NO.	ITEM NO.												
PARTS LIST																
ETCH BOARD REV E																
<table border="1"> <tr> <td>CHKD.</td> <td>DATE</td> <td>02-20-71</td> </tr> <tr> <td>ENGR.</td> <td>DATE</td> <td>1-17-71</td> </tr> <tr> <td>PROD.</td> <td>DATE</td> <td>1-17-71</td> </tr> <tr> <td>TEST.</td> <td>DATE</td> <td>1-17-71</td> </tr> </table>					CHKD.	DATE	02-20-71	ENGR.	DATE	1-17-71	PROD.	DATE	1-17-71	TEST.	DATE	1-17-71
CHKD.	DATE	02-20-71														
ENGR.	DATE	1-17-71														
PROD.	DATE	1-17-71														
TEST.	DATE	1-17-71														
digital EQUIPMENT CORPORATION BOSTON, MASSACHUSETTS			TITLE FRONT PANEL CONT BOARD													
DEC NO. EIA NO. DEC NO. EIA NO.			SCALE SHEET 1 OF 2													
SEMICONDUCTOR CONVERSION CHART																
SIZE CODE NUMBER REV DCS 5409668-0-1																

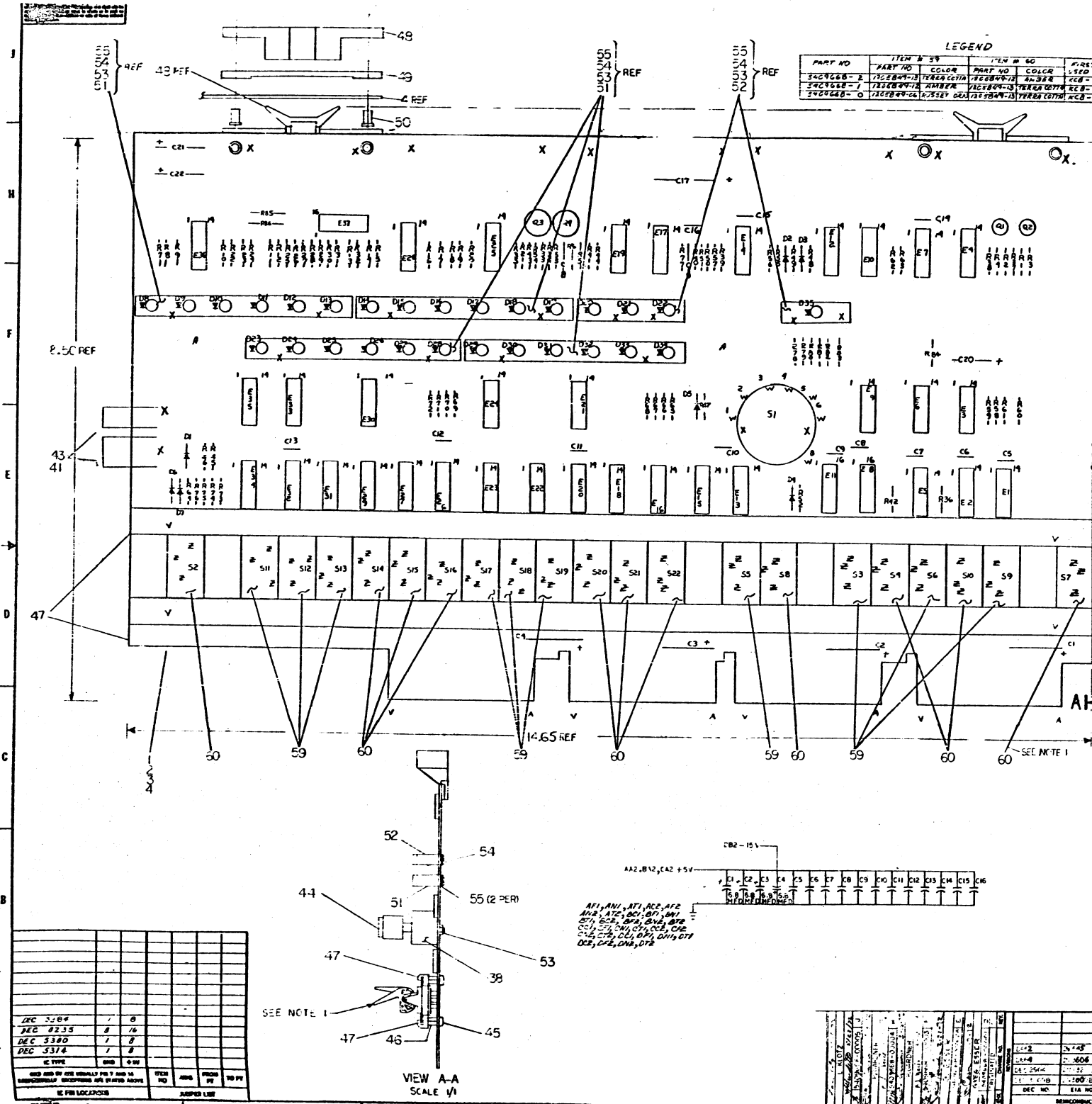
REV	DATE	BY	CHKD.
1	1-17-71	GREG ESSER	GREG ESSER
2	2-22-71	GREG ESSER	GREG ESSER
3	3-10-71	GREG ESSER	GREG ESSER
4	3-10-71	GREG ESSER	GREG ESSER
5	3-10-71	GREG ESSER	GREG ESSER
6	3-10-71	GREG ESSER	GREG ESSER
7	3-10-71	GREG ESSER	GREG ESSER
8	3-10-71	GREG ESSER	GREG ESSER
9	3-10-71	GREG ESSER	GREG ESSER
10	3-10-71	GREG ESSER	GREG ESSER

The drawing and specifications, herein, are the property of Digital Equipment Corporation and shall not be reproduced or copied in whole or in part in any form for the manufacture or sale of items without written permission.



- UNLESS OTHERWISE INDICATED:
 CAPACITORS ARE .01UF, 100V, 20%
 DIODES ARE OSL-45 (LIGHT EMITTING)
 SWITCHES ARE SLIDE TYPE PART NO. 12 10626
 RESISTORS ARE 3K, 1/4W, 5%
 IC'S ARE DEC 7400 = E6,E12
 " 7402 = E4
 " 7404 = E9,E21,E30
 " 7410 = E3
 " 7417 = E25,E28,E36
 " 7480 = E19
 " 74LSA = E13,E15,E18,E20,E22,E23,E27,E29,E31,E32,E33,E35
 " 7474 = E1
 " 5314 = E24
 " 5380 = E2,E10
 " 5384 = E5,E14
 " 8235 = E8,E11
 " 9601 = E17
 " 97401 = E16,E26,E34,E7

QTY	REF DESIGNATION	DESCRIPTION	PART NO.	ITEM NO.
PARTS LIST				
ETCH BOARD REV E				
CHK CHANGE NO. REV	DRW	DATE	DIGITAL EQUIPMENT CORPORATION	
	CHKD	DATE	TITLE	
	ENGR	DATE	FRONT PANEL CONT BOARD	
	PROJ. ENGR	DATE	SIZE CODE	
	PROD. ASSEMBLY	DATE	NUMBER	
NEXT HIGHER ASSY		DCS 5409668-0-1		
SCALE		REV		
SHEET 2 OF 2		DST		
SEMICONDUCTOR CONVERSION CHART				
DEC NO.	EIA NO.	DEC NO.	EIA NO.	



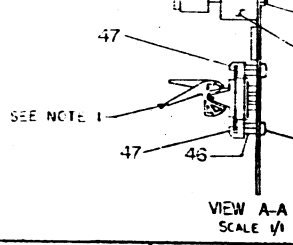
LEGEND

PART NO	ITEM # 39	ITEM # 40	ITEM # 41	ITEM # 42
340968-2	1228801-1	1228801-2	1228801-3	1228801-4
340968-1	1228801-1	1228801-2	1228801-3	1228801-4
340968-0	1228801-1	1228801-2	1228801-3	1228801-4

NOTES:
 1. ITEM 23 (MOMENTARY SWITCH) TO BE INSTALLED
 IN THE OFF POSITION.
 2. LOCATION ONLY.

2	C21, C22	CAP 220UF 35V 20% S. 100E-134	62
3	E37	IC 74163	62
4	RES	RES 10K 1/4W 5% 100E-134	62
5	RES	RES 10K 1/4W 5% 100E-134	62
6	RES	RES 10K 1/4W 5% 100E-134	62
7	RES	RES 10K 1/4W 5% 100E-134	62
8	RES	RES 10K 1/4W 5% 100E-134	62
9	RES	RES 10K 1/4W 5% 100E-134	62
10	RES	RES 10K 1/4W 5% 100E-134	62
11	RES	RES 10K 1/4W 5% 100E-134	62
12	RES	RES 10K 1/4W 5% 100E-134	62
13	RES	RES 10K 1/4W 5% 100E-134	62
14	RES	RES 10K 1/4W 5% 100E-134	62
15	RES	RES 10K 1/4W 5% 100E-134	62
16	RES	RES 10K 1/4W 5% 100E-134	62
17	RES	RES 10K 1/4W 5% 100E-134	62
18	RES	RES 10K 1/4W 5% 100E-134	62
19	RES	RES 10K 1/4W 5% 100E-134	62
20	RES	RES 10K 1/4W 5% 100E-134	62
21	RES	RES 10K 1/4W 5% 100E-134	62
22	RES	RES 10K 1/4W 5% 100E-134	62
23	RES	RES 10K 1/4W 5% 100E-134	62
24	RES	RES 10K 1/4W 5% 100E-134	62
25	RES	RES 10K 1/4W 5% 100E-134	62
26	RES	RES 10K 1/4W 5% 100E-134	62
27	RES	RES 10K 1/4W 5% 100E-134	62
28	RES	RES 10K 1/4W 5% 100E-134	62
29	RES	RES 10K 1/4W 5% 100E-134	62
30	RES	RES 10K 1/4W 5% 100E-134	62
31	RES	RES 10K 1/4W 5% 100E-134	62
32	RES	RES 10K 1/4W 5% 100E-134	62
33	RES	RES 10K 1/4W 5% 100E-134	62
34	RES	RES 10K 1/4W 5% 100E-134	62
35	RES	RES 10K 1/4W 5% 100E-134	62
36	RES	RES 10K 1/4W 5% 100E-134	62
37	RES	RES 10K 1/4W 5% 100E-134	62
38	RES	RES 10K 1/4W 5% 100E-134	62
39	RES	RES 10K 1/4W 5% 100E-134	62
40	RES	RES 10K 1/4W 5% 100E-134	62
41	RES	RES 10K 1/4W 5% 100E-134	62
42	RES	RES 10K 1/4W 5% 100E-134	62
43	RES	RES 10K 1/4W 5% 100E-134	62
44	RES	RES 10K 1/4W 5% 100E-134	62
45	RES	RES 10K 1/4W 5% 100E-134	62
46	RES	RES 10K 1/4W 5% 100E-134	62
47	RES	RES 10K 1/4W 5% 100E-134	62
48	RES	RES 10K 1/4W 5% 100E-134	62
49	RES	RES 10K 1/4W 5% 100E-134	62
50	RES	RES 10K 1/4W 5% 100E-134	62
51	RES	RES 10K 1/4W 5% 100E-134	62
52	RES	RES 10K 1/4W 5% 100E-134	62
53	RES	RES 10K 1/4W 5% 100E-134	62
54	RES	RES 10K 1/4W 5% 100E-134	62
55	RES	RES 10K 1/4W 5% 100E-134	62
56	RES	RES 10K 1/4W 5% 100E-134	62
57	RES	RES 10K 1/4W 5% 100E-134	62
58	RES	RES 10K 1/4W 5% 100E-134	62
59	RES	RES 10K 1/4W 5% 100E-134	62
60	RES	RES 10K 1/4W 5% 100E-134	62
61	RES	RES 10K 1/4W 5% 100E-134	62
62	RES	RES 10K 1/4W 5% 100E-134	62
63	RES	RES 10K 1/4W 5% 100E-134	62
64	RES	RES 10K 1/4W 5% 100E-134	62
65	RES	RES 10K 1/4W 5% 100E-134	62
66	RES	RES 10K 1/4W 5% 100E-134	62
67	RES	RES 10K 1/4W 5% 100E-134	62
68	RES	RES 10K 1/4W 5% 100E-134	62
69	RES	RES 10K 1/4W 5% 100E-134	62
70	RES	RES 10K 1/4W 5% 100E-134	62
71	RES	RES 10K 1/4W 5% 100E-134	62
72	RES	RES 10K 1/4W 5% 100E-134	62
73	RES	RES 10K 1/4W 5% 100E-134	62
74	RES	RES 10K 1/4W 5% 100E-134	62
75	RES	RES 10K 1/4W 5% 100E-134	62
76	RES	RES 10K 1/4W 5% 100E-134	62
77	RES	RES 10K 1/4W 5% 100E-134	62
78	RES	RES 10K 1/4W 5% 100E-134	62
79	RES	RES 10K 1/4W 5% 100E-134	62
80	RES	RES 10K 1/4W 5% 100E-134	62
81	RES	RES 10K 1/4W 5% 100E-134	62
82	RES	RES 10K 1/4W 5% 100E-134	62
83	RES	RES 10K 1/4W 5% 100E-134	62
84	RES	RES 10K 1/4W 5% 100E-134	62
85	RES	RES 10K 1/4W 5% 100E-134	62
86	RES	RES 10K 1/4W 5% 100E-134	62
87	RES	RES 10K 1/4W 5% 100E-134	62
88	RES	RES 10K 1/4W 5% 100E-134	62
89	RES	RES 10K 1/4W 5% 100E-134	62
90	RES	RES 10K 1/4W 5% 100E-134	62
91	RES	RES 10K 1/4W 5% 100E-134	62
92	RES	RES 10K 1/4W 5% 100E-134	62
93	RES	RES 10K 1/4W 5% 100E-134	62
94	RES	RES 10K 1/4W 5% 100E-134	62
95	RES	RES 10K 1/4W 5% 100E-134	62
96	RES	RES 10K 1/4W 5% 100E-134	62
97	RES	RES 10K 1/4W 5% 100E-134	62
98	RES	RES 10K 1/4W 5% 100E-134	62
99	RES	RES 10K 1/4W 5% 100E-134	62
100	RES	RES 10K 1/4W 5% 100E-134	62

REV	DATE	BY	CHKD	DESCRIPTION
1	DEC 31 64			
2	DEC 23 65			
3	DEC 3 66			
4	DEC 5 67			



ETCH BOARD REV	DATE	BY	CHKD	DESCRIPTION
1	DEC 31 64			
2	DEC 23 65			
3	DEC 3 66			
4	DEC 5 67			

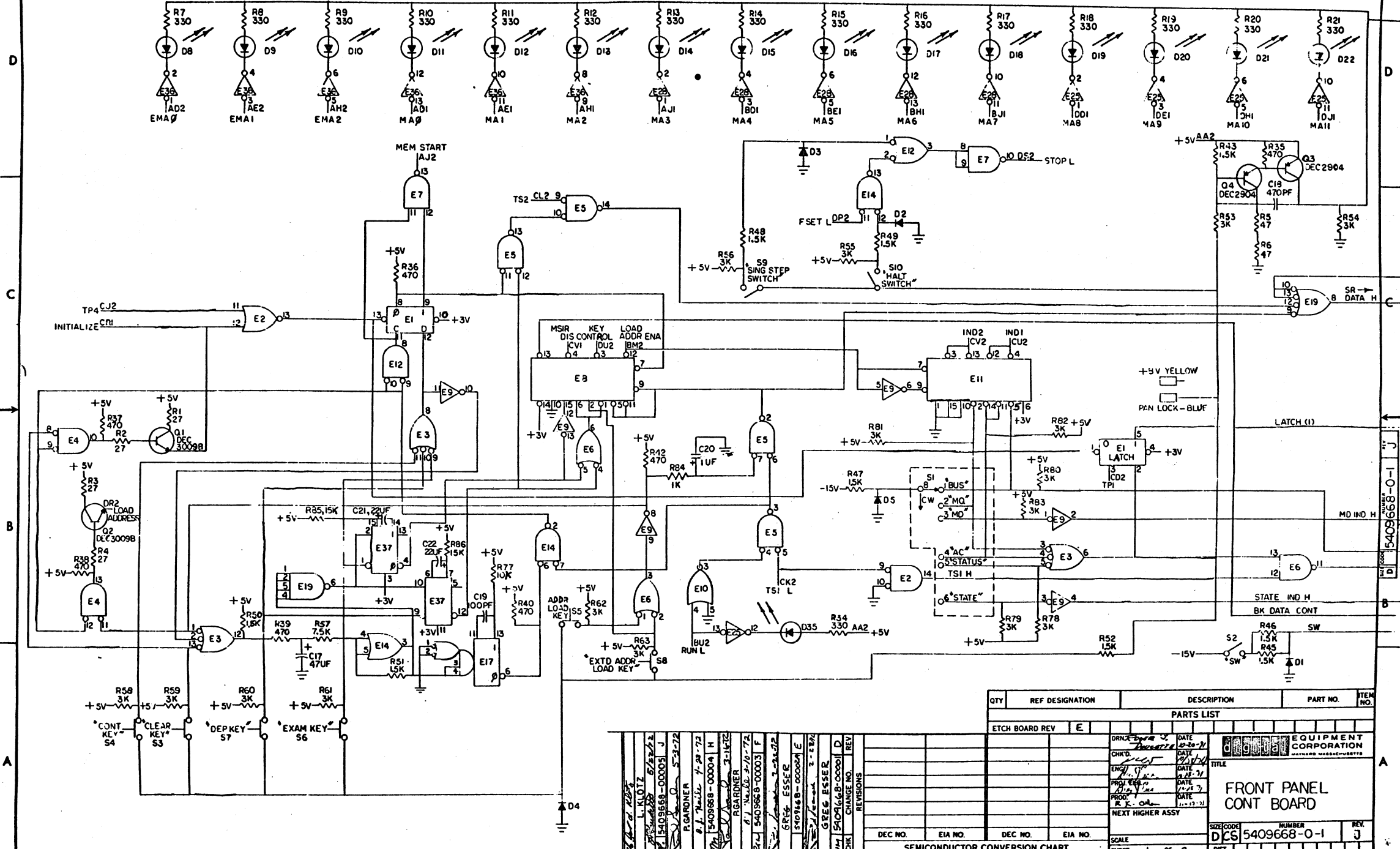
EQUIPMENT CORPORATION

FRONT PNL CONT BOARD

DEC NO: 540968-00

This drawing and specifications, herein, are the property of Digital Equipment Corporation and shall not be reproduced or copied or used in whole or in part as the basis for the manufacture or sale of items without written permission.

1-0-8996095 5409668-0-1



MS1381	1-0-8996095	5409668-0-1	1-0-8996095	5409668-0-1	1-0-8996095	5409668-0-1	1-0-8996095	5409668-0-1	1-0-8996095	5409668-0-1
MS1381	1-0-8996095	5409668-0-1	1-0-8996095	5409668-0-1	1-0-8996095	5409668-0-1	1-0-8996095	5409668-0-1	1-0-8996095	5409668-0-1

QTY	REF DESIGNATION	DESCRIPTION	PART NO.	ITEM NO.
PARTS LIST				
ETCH BOARD REV E				
SEMICONDUCTOR CONVERSION CHART				
DEC NO.	EIA NO.	DEC NO.	EIA NO.	REV.
SCALE				SHEET 1 OF 2
DISTRIBUTION				DIST.

FRONT PANEL CONT BOARD

DIGITAL EQUIPMENT CORPORATION

5409668-0-1

DATE: 10-20-71

DATE: 11-12-71

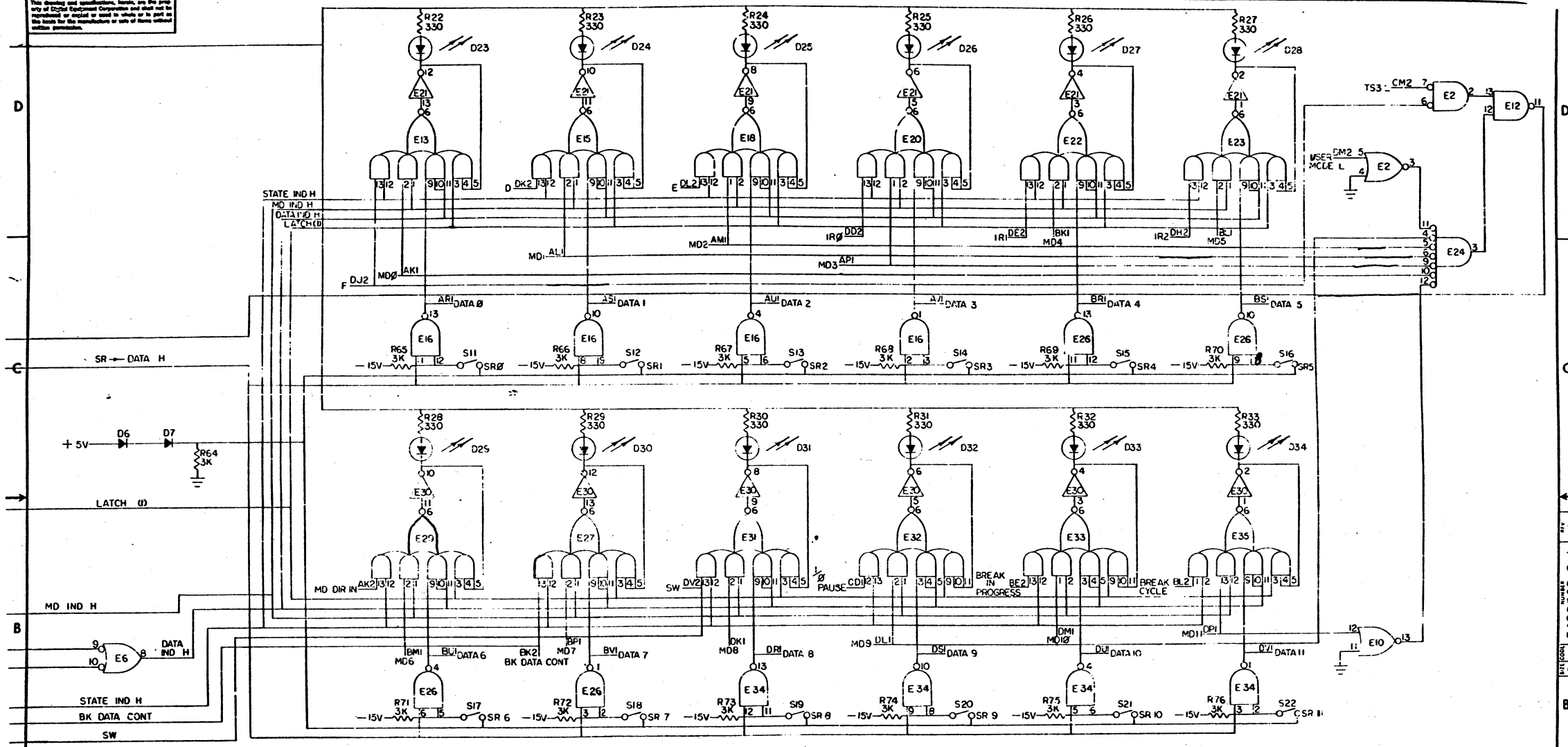
DATE: 11-27-71

DATE: 12-17-71

DATE: 1-17-72

NEXT HIGHER ASSY

This drawing and specifications, herein, are the property of Digital Equipment Corporation and shall not be reproduced or copied in whole or in part or in any form for the manufacture or sale of items without written permission.



- UNLESS OTHERWISE INDICATED:
 CAPACITORS ARE .01UF, 100V, 20%
 DIODES ARE OSL-45 (LIGHT EMITTING)
 SWITCHES ARE SLIDE TYPE, PART NO. 12 10626
 RESISTORS ARE 3K, 1/4W, 5%
 IC'S ARE DEC 7400 = E6, E12
 " 7402 = E4
 " 7404 = E9, E2, E30
 " 7410 = E3
 " 7417 = E25, E28, E36
 " 7440 = E9
 " 74LS4 = E13, E15, E18, E20, E22, E23, E27, E29, E31, E32, E33, E35
 " 7474 = E1
 " 5314 = E24
 " 5380 = E2, E10
 " 5384 = E5, E14
 " 8285 = E8, E11
 " 9601 = E17
 " 97401 = E16, E26, E34, E7
 " 74123 = E37

QTY	REF DESIGNATION	DESCRIPTION	PART NO.	ITEM NO.
PARTS LIST				
ETCH BOARD REV E				
CHK		DATE	EQUIPMENT CORPORATION	
CHK'D		DATE	TITLE	
ENGR		DATE	FRONT PANEL	
PROB'NG		DATE	CONT BOARD	
PRD'G		DATE	SIZE CODE	
NEXT HIGHER ASST		DATE	NUMBER	
		DATE	DCS 5409668-0-1	
		DATE	REV. J	
		DATE	SCALE	
		DATE	SHEET 2 OF 2	

DEC NO.	EIA NO.	DEC NO.	EIA NO.	SCALE
SEMICONDUCTOR CONVERSION CHART				
SHEET 2 OF 2				