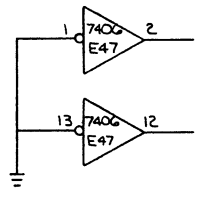
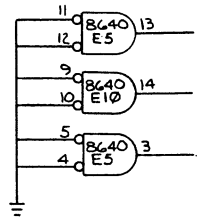


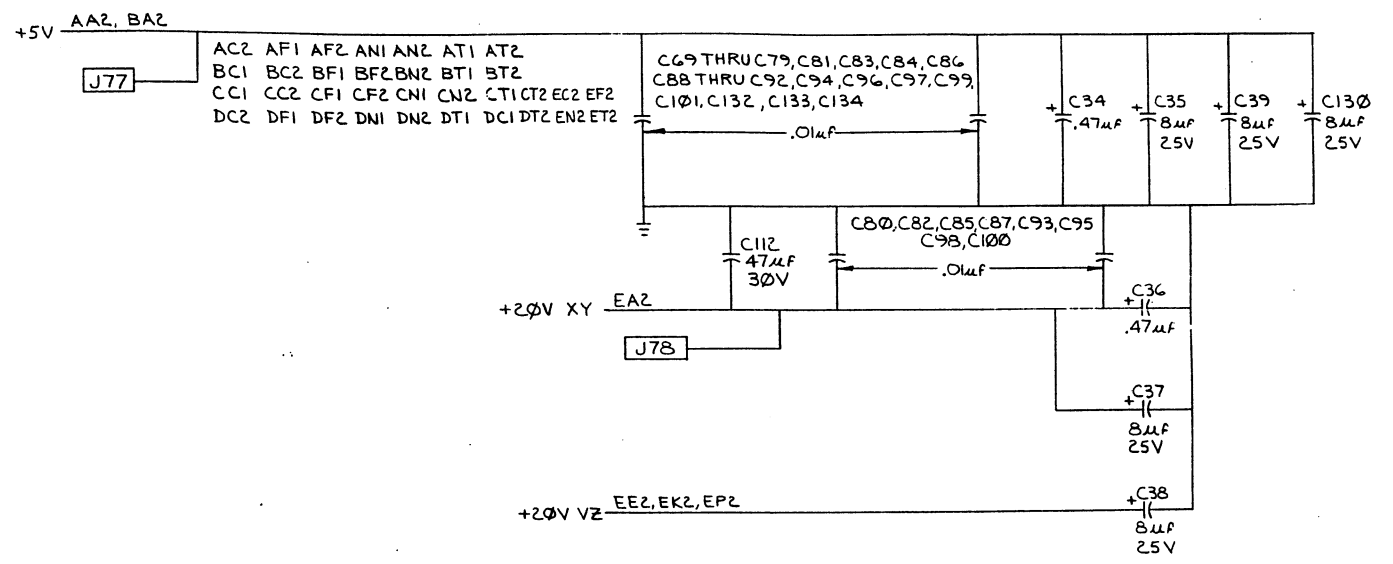
"THE DRAWING AND SPECIFICATIONS HEREIN ARE THE PROPERTY OF DIGITAL EQUIPMENT CORPORATION AND SHALL NOT BE REPRODUCED OR COPIED OR USED IN WHOLE OR IN PART AS THE BASIS FOR THE MANUFACTURE OR SALE OF ITEMS WITHOUT WRITTEN PERMISSION. COPYRIGHT © 1978 DIGITAL EQUIPMENT CORPORATION"

- NOTES:**
- UNLESS OTHERWISE SPECIFIED:
RESISTORS ARE 1/4W, ± 5%
CAPACITORS ARE 50V
DIODES ARE DG72
 - ALL RECEPTACLES ARE INDICATED WITH "J" NUMBERS.

ADDRESS	MEMORY BANK SELECTED
1/1	0 TO 16K 1ST 16K
2/2	16K TO 32K 2ND 16K
3/3	32K TO 48K 3RD 16K
4/4	48K TO 64K 4TH 16K



SPARES

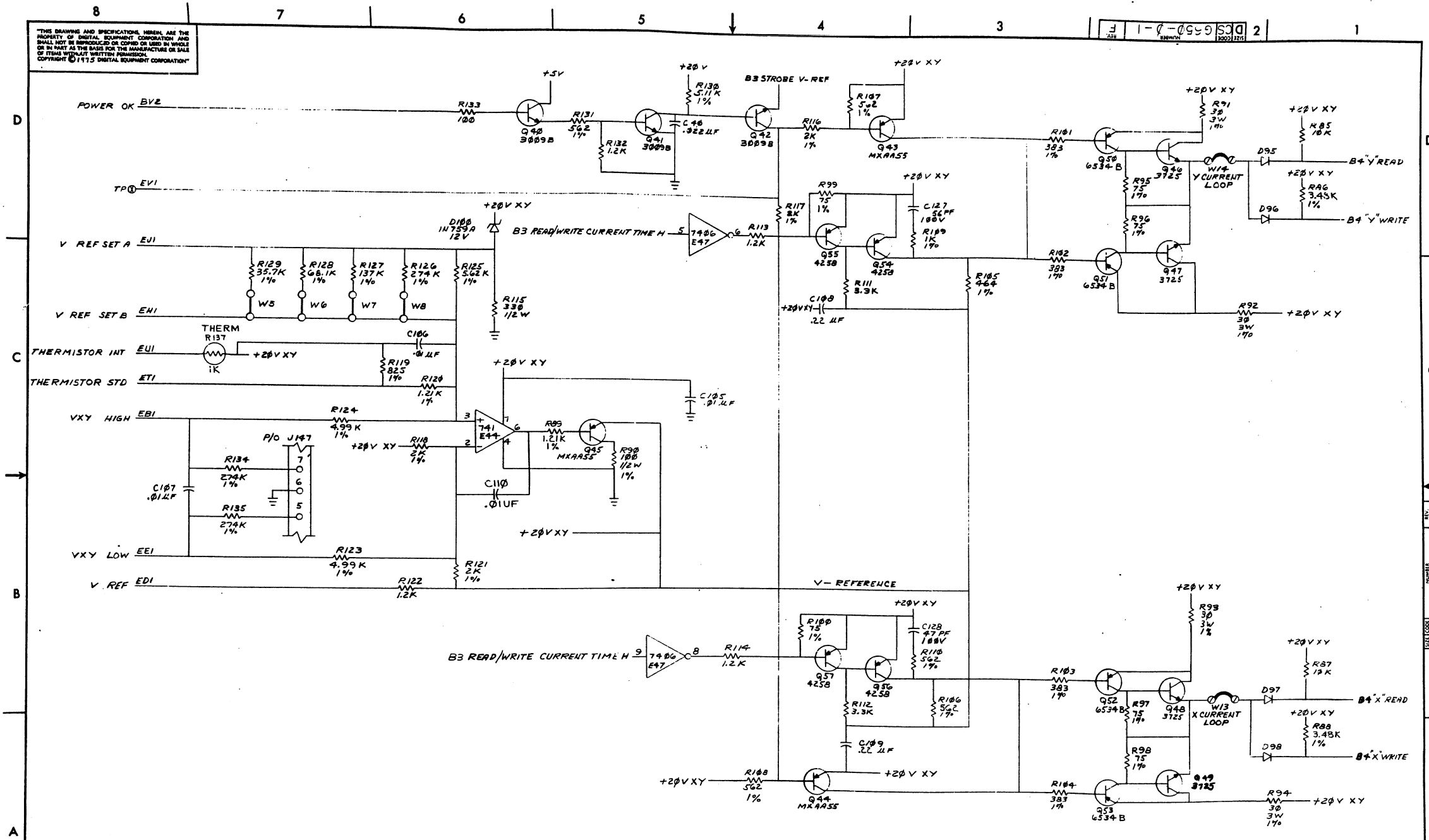


75325	8	9	16	
7520	8	9	16	
8640	1	8		
7442	8	16		
7274-1	4	7		
7384	1	8		
IC TYPE	-5V	0V	+5V	+20V
0V AND 0V ARE USUALLY PIN 7 AND 14 RESPECTIVELY EXCEPTIONS ARE STATED ABOVE				
IC PIN LOCATIONS				

FIRST USED ON OPTION MODEL		QTY		REF. DESIGNATION	
MM8-AB					
ETCH BOARD REV. D					
DATE		DATE		digital	
DESIGNER	H. KARAKJIAN	DATE	3-7-75	TITLE	
ENGINEER	R.P. MEYLY	DATE	3-12-75	16K 12 BIT (BI) BASE BOARD	
DRAWN	C. GRANGER	DATE	4-12-75	SIZE	D CS
PROD.	TANNER	DATE	4-12-75	NUMBER	G 650-0-1
NEXT HIGHER ASSY				REV.	F
DEC. NO.	EIA NO.	DEC. NO.	EIA NO.	SCALE	
SEMICONDUCTOR CONVERSION CHART					
SHEET		OF 11			

THIS DRAWING AND SPECIFICATIONS, HEREIN, ARE THE PROPERTY OF DIGITAL EQUIPMENT CORPORATION AND SHALL NOT BE REPRODUCED OR COPIED OR USED IN WHOLE OR IN PART AS THE BASIS FOR THE MANUFACTURE OR SALE OF ITEMS WITHOUT WRITTEN PERMISSION. COPYRIGHT © 1975 DIGITAL EQUIPMENT CORPORATION

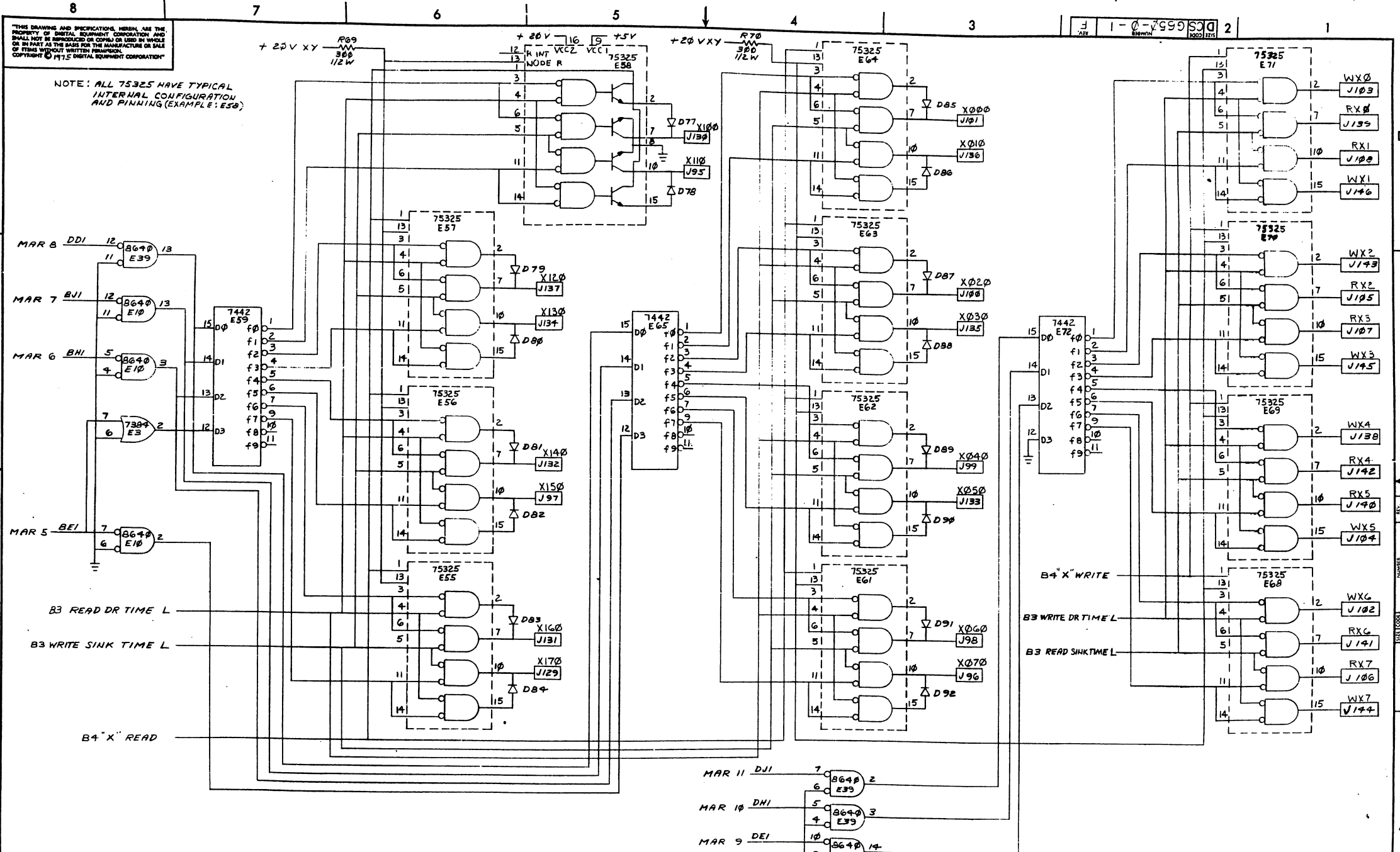
1-0959 SCD 2



REVISIONS		
CHK	CHANGE NO.	REV.

(CURRENT & CONTRL)

TITLE	16K, 12 BIT BASE BOARD (B4)	SIZE CODE	DCS	NUMBER	6650-0-1	REV.	F
SCALE		SHEET	3 OF 11	DIST.			



"THIS DRAWING AND SPECIFICATIONS HEREIN, ARE THE PROPERTY OF DIGITAL EQUIPMENT CORPORATION AND SHALL NOT BE REPRODUCED OR COPIED OR USED IN WHOLE OR IN PART AS THE BASIS FOR THE MANUFACTURE OR SALE OF ITEMS WITHOUT WRITTEN PERMISSION. COPYRIGHT © 1975 DIGITAL EQUIPMENT CORPORATION"

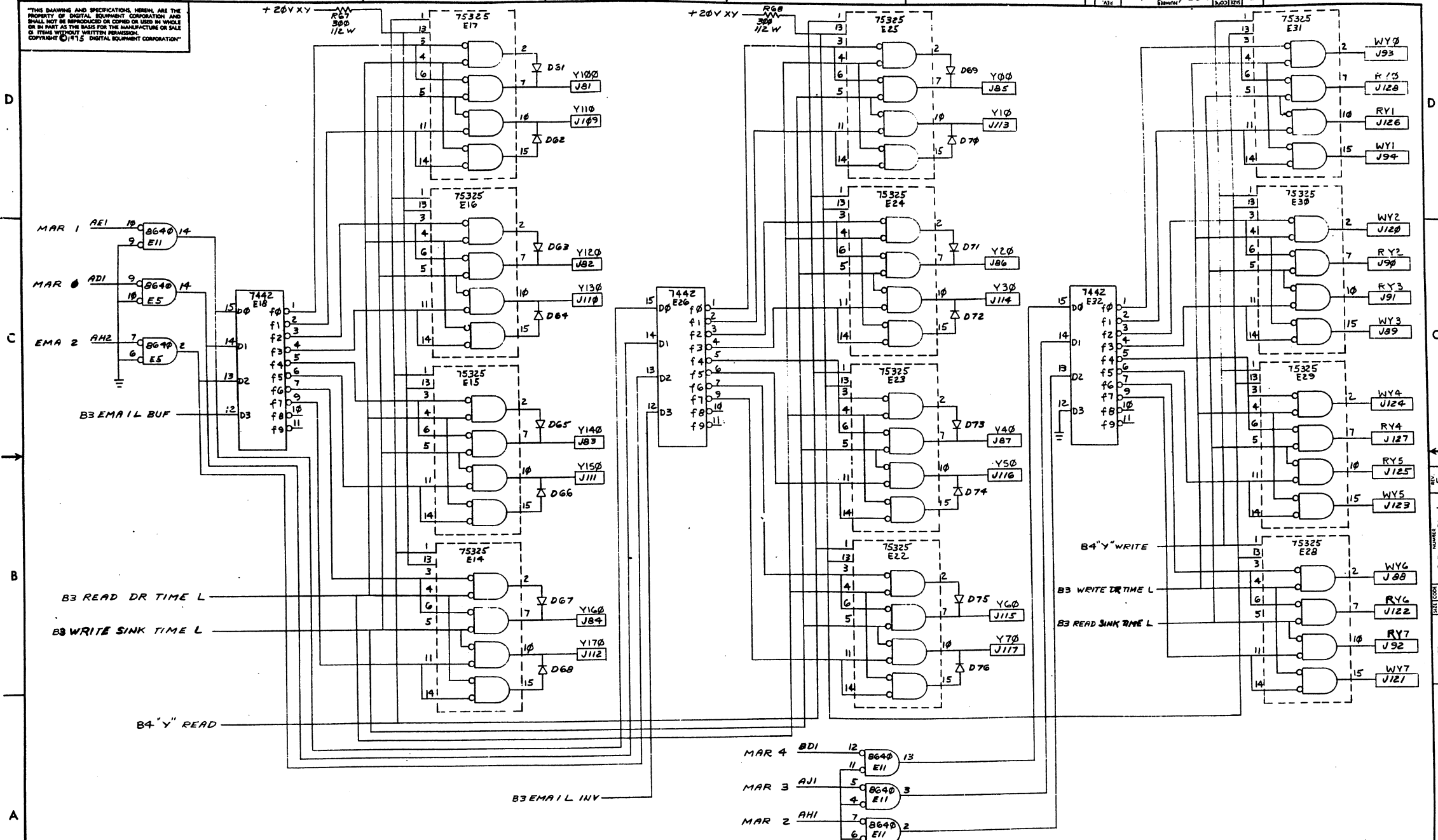
NOTE: ALL 75325 HAVE TYPICAL INTERNAL CONFIGURATION AND PINNING (EXAMPLE: E58)

REVISIONS		
CHK	CHANGE NO.	REV.

(X DRIVE)
 TITLE 16K, 12 BIT BASE BOARD (B5) SIZE CODE NUMBER DCS G650-0-1 REV. F
 SCALE 7-7 SHEET 4 OF 11 DIST.

"THIS DRAWING AND SPECIFICATIONS HEREIN ARE THE PROPERTY OF DIGITAL EQUIPMENT CORPORATION AND SHALL NOT BE REPRODUCED OR COPIED OR USED IN WHOLE OR IN PART AS THE BASIS FOR THE MANUFACTURE OR SALE OF ITEMS WITHOUT WRITTEN PERMISSION. COPYRIGHT © 1975 DIGITAL EQUIPMENT CORPORATION"

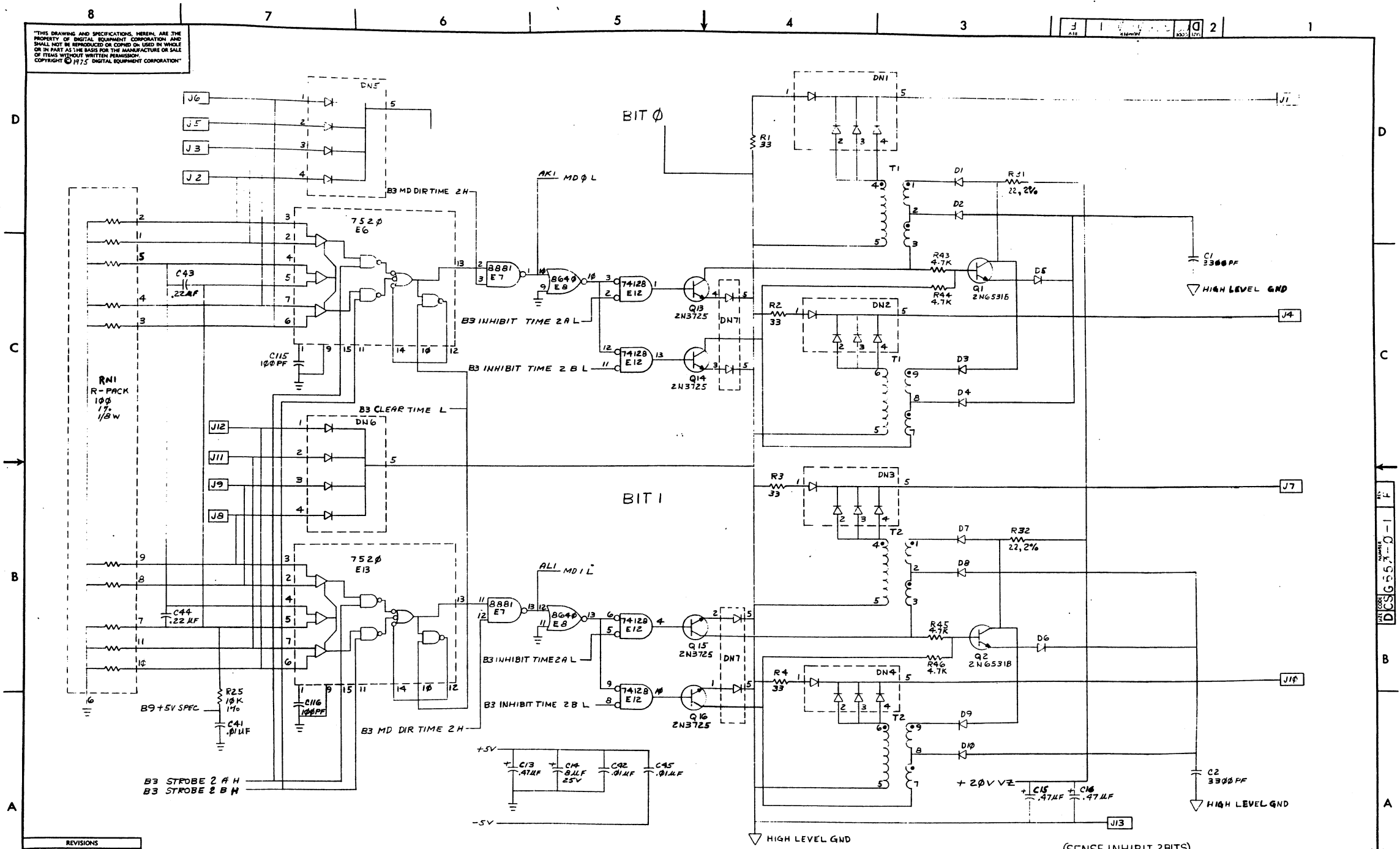
1-0-099500



REVISIONS		
CHK	CHANGE NO.	REV.

TITLE		16K, 12 BIT BASE BOARD		(B6) SIZE CODE	NUMBER	REV.
SCALE		SHEET 5 OF 11		DIST.	D E S I G N	F

THIS DRAWING AND SPECIFICATIONS HEREIN ARE THE PROPERTY OF DIGITAL EQUIPMENT CORPORATION AND SHALL NOT BE REPRODUCED OR COPIED OR USED IN WHOLE OR IN PART AS THE BASIS FOR THE MANUFACTURE OR SALE OF ITEMS WITHOUT WRITTEN PERMISSION. COPYRIGHT © 1975 DIGITAL EQUIPMENT CORPORATION

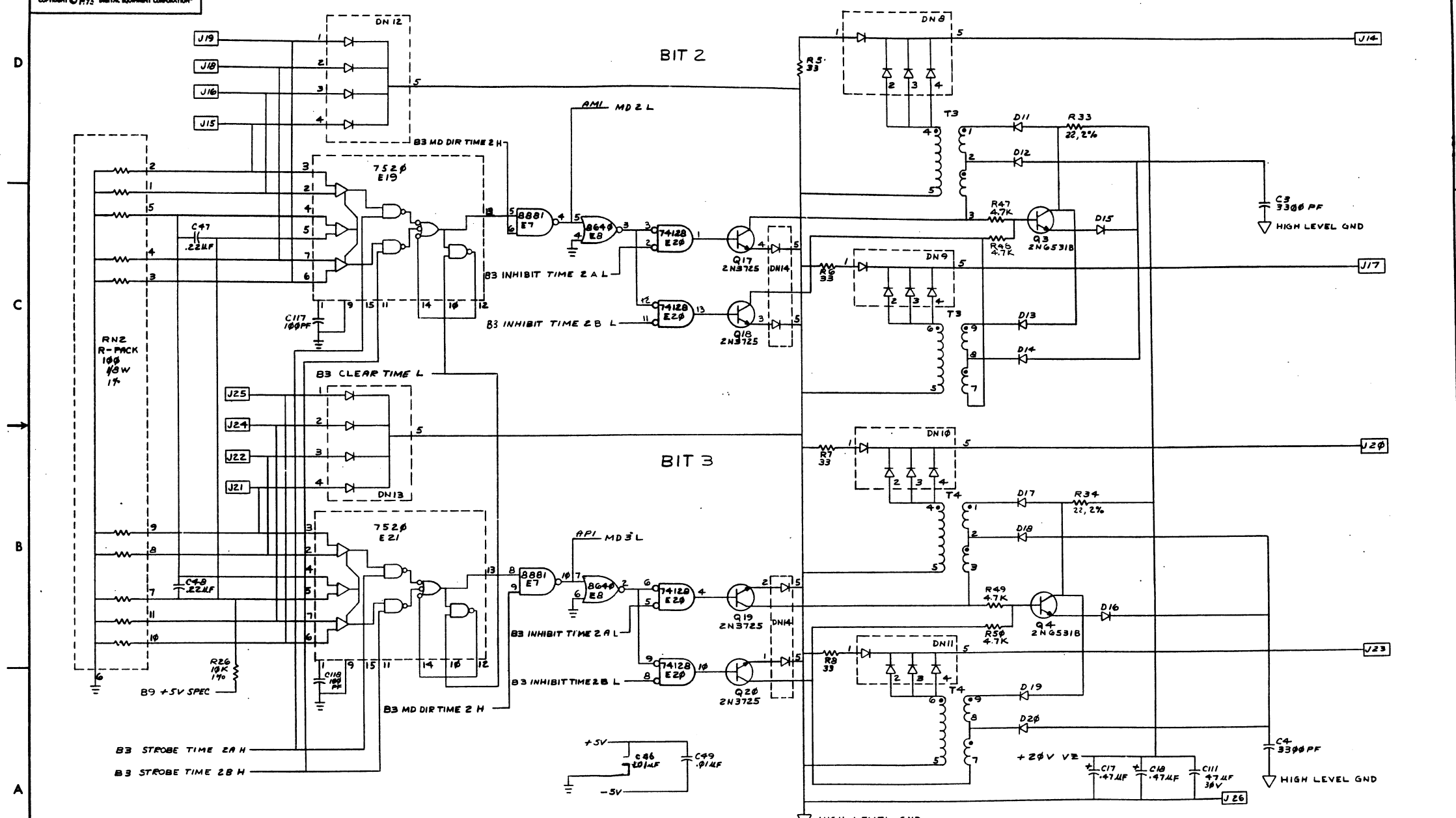


REVISIONS		
CHK	CHANGE NO.	REV.

(SENSE INHIBIT 2BITS)		TITLE	16K.12 BIT BASE BOARD	B7	SIZE CODE	DCS G650-0-1	NUMBER		REV.	F
SCALE		SHEET	6 OF 11	DIST.						

DCS G650-0-1

THIS DRAWING AND SPECIFICATIONS HEREIN ARE THE PROPERTY OF DIGITAL EQUIPMENT CORPORATION AND SHALL NOT BE REPRODUCED OR COPIED OR USED IN WHOLE OR IN PART AS THE BASIS FOR THE MANUFACTURE OR SALE OF ITS' WITHOUT WRITTEN PERMISSION. COPYRIGHT © 1975 DIGITAL EQUIPMENT CORPORATION

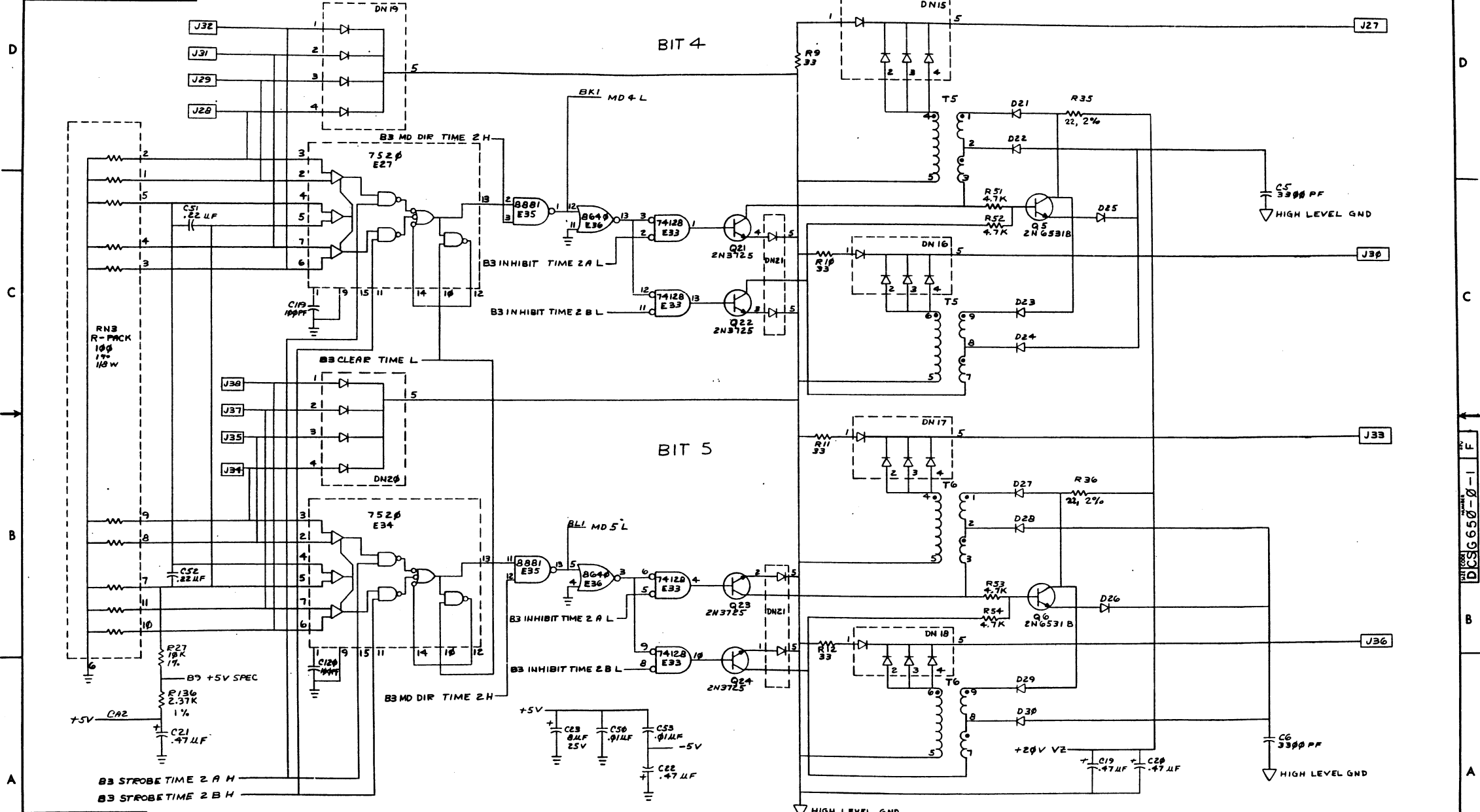


REVISIONS		
CHK	CHANGE NO.	REV.

(SENSE INHIBIT 2 BITS)		TITLE	SIZE	CODE	NUMBER	REV.
16K-12 BIT		BASE BOARD	(BB)	D	CSG 650-0-1	F
SCALE	SHEET	OF	DIST.			
	7	11				

DCSG 650-0-1

"THIS DRAWING AND SPECIFICATIONS HEREIN ARE THE PROPERTY OF DIGITAL EQUIPMENT CORPORATION AND SHALL NOT BE REPRODUCED OR COPIED OR USED IN WHOLE OR IN PART AS THE BASIS FOR THE MANUFACTURE OR SALE OF ITEMS WITHOUT WRITTEN PERMISSION. COPYRIGHT © 1975 DIGITAL EQUIPMENT CORPORATION"

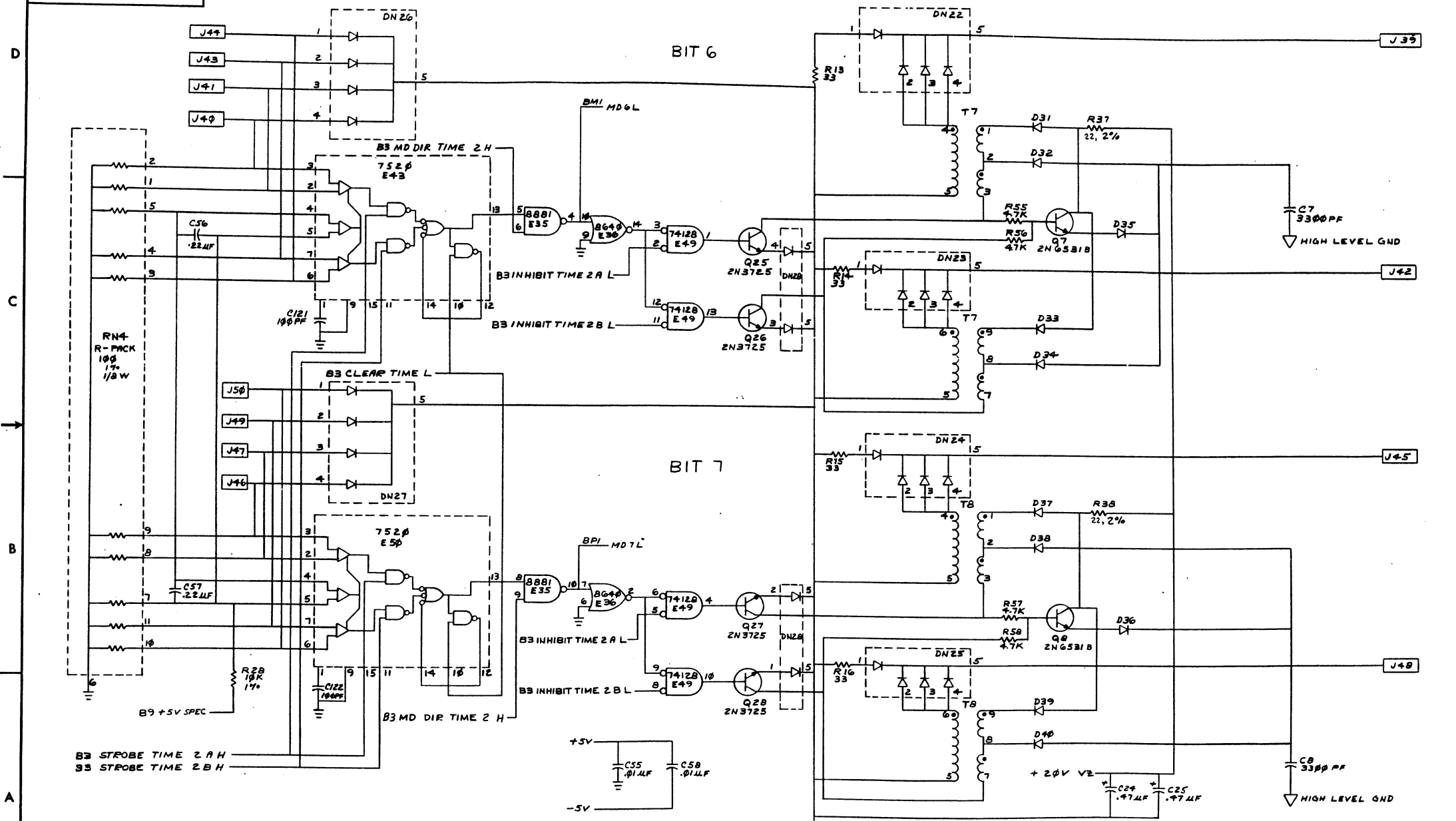


REVISIONS		
CHK	CHANGE NO.	REV.

TITLE 16K.12 BIT BASE BOARD		SIZE CODE (B9)	NUMBER	REV. F
SCALE		SHEET 8 OF 11	DIST.	

DCSG 650-0-1

THIS DRAWING AND SPECIFICATIONS HEREAFTER ARE THE PROPERTY OF DIGITAL EQUIPMENT CORPORATION AND SHALL NOT BE REPRODUCED OR COPIED OR USED IN WHOLE OR IN PART AS THE BASIS FOR THE MANUFACTURE OR SALE OF ITEMS WITHOUT WRITTEN PERMISSION OF DIGITAL EQUIPMENT CORPORATION.
COPYRIGHT © 1975 DIGITAL EQUIPMENT CORPORATION

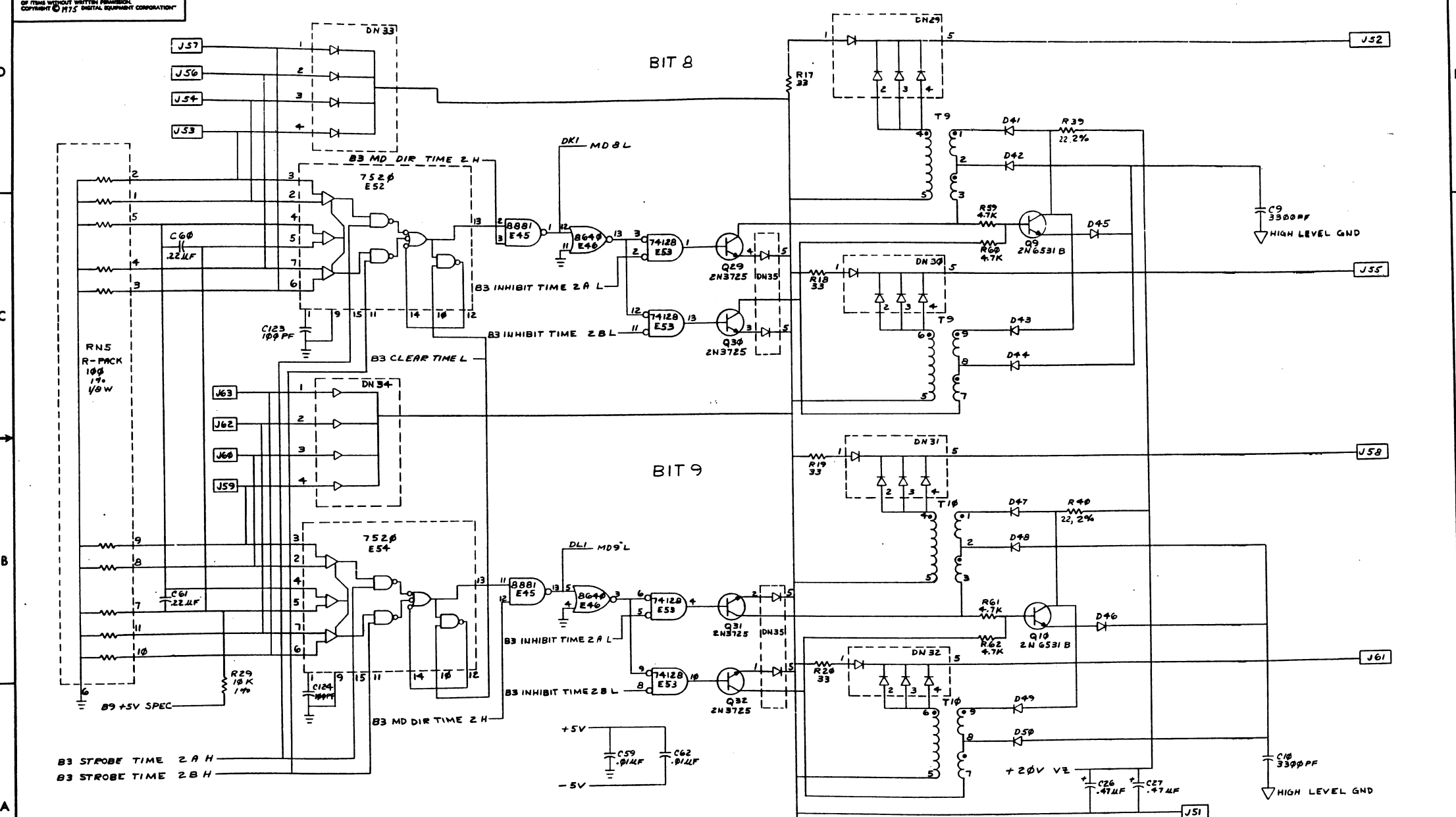


REVISIONS		
CHK	CHANGE NO.	REV.

TITLE 16K, 12 BIT BASE BOARD		SIZE CODE (B10)	NUMBER DCS G650-0-1	REV. F
SCALE	SHEET 9 OF 11	DIST.		

DCS G650-0-1

THIS DRAWING AND SPECIFICATIONS HEREIN ARE THE PROPERTY OF DIGITAL EQUIPMENT CORPORATION AND SHALL NOT BE REPRODUCED OR COPIED OR USED IN WHOLE OR IN PART AS THE BASIS FOR THE MANUFACTURE OR SALE OF ITEMS WITHOUT WRITTEN PERMISSION. COPYRIGHT © 1975 DIGITAL EQUIPMENT CORPORATION

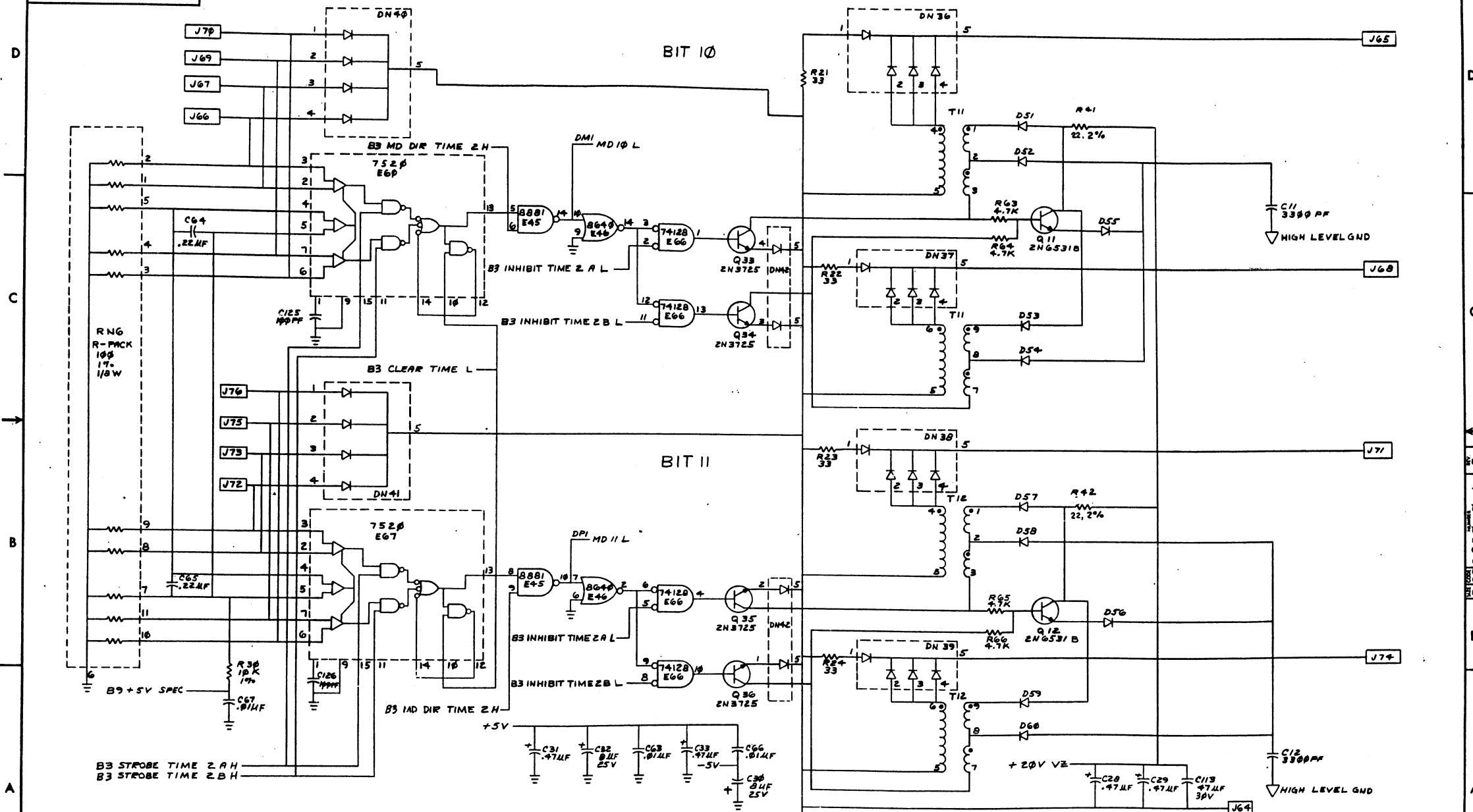


REVISIONS		
CHK	CHANGE NO.	REV.

TITLE 16K.12 BIT BASE BOARD (B11)		SIZE CODE DCSG650-0-1	NUMBER	REV. F
SCALE	SHEET 10 OF 11	DIST.		

"THE DRAWING AND SPECIFICATIONS HEREIN ARE THE PROPERTY OF DIGITAL EQUIPMENT CORPORATION AND SHALL NOT BE REPRODUCED OR COPIED OR USED IN WHOLE OR IN PART AS THE BASIS FOR THE MANUFACTURE OR SALE OF ITEMS WITHOUT WRITTEN PERMISSION. COPYRIGHT © 1972 DIGITAL EQUIPMENT CORPORATION"

J 1-0-0999 S30 2



REVISIONS		
CHK	CHANGE NO.	REV.

TITLE		16K 12 BIT BASE BOARD (B12)		SIZE	CODE	NUMBER	REV
SCALE		SHEET 11 OF 11		DAT.	DCS G650-0-1		

DCS G650-0-1