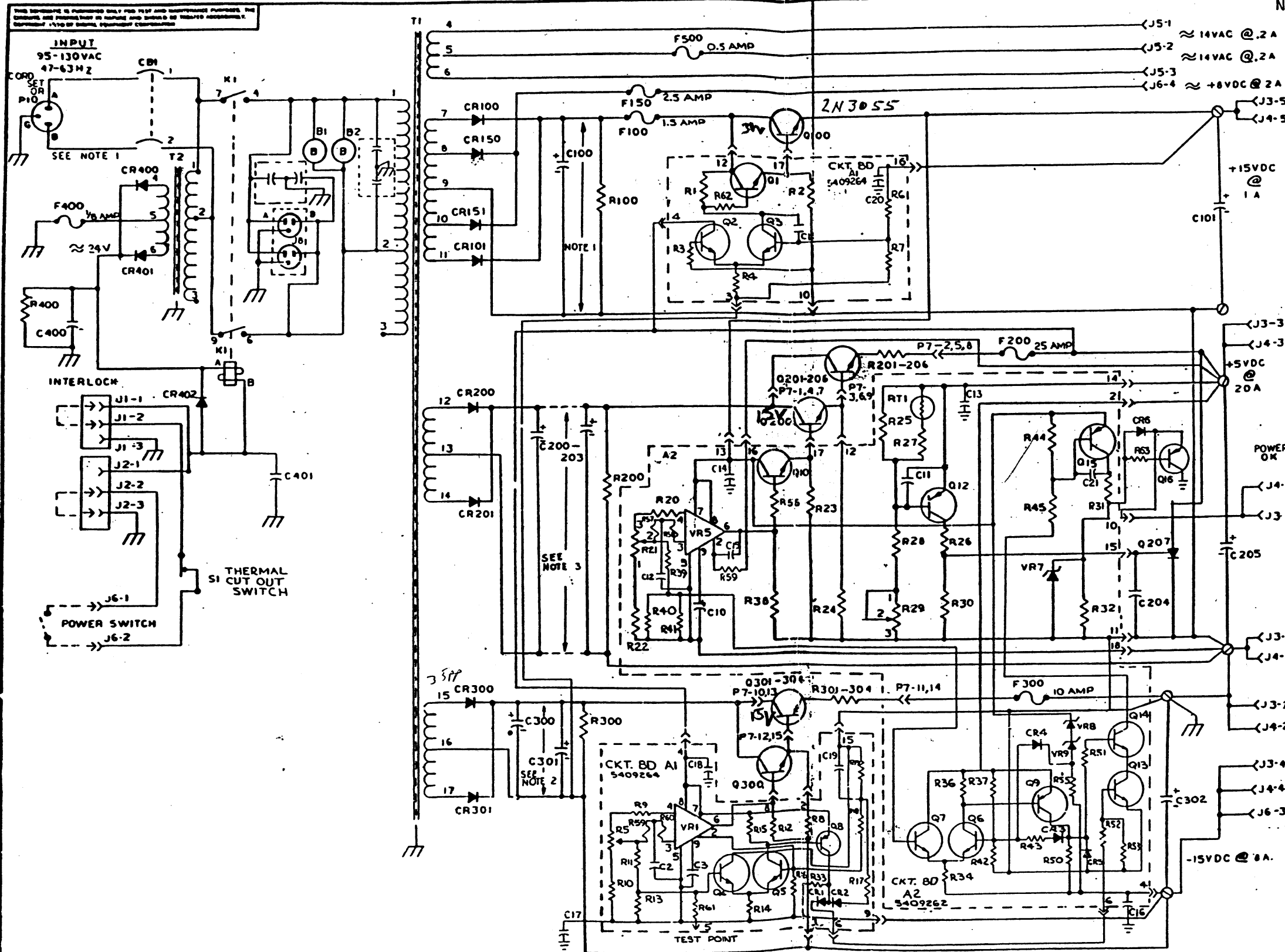


H724

DP S/E POWER SUPPLY

NOTES:

- 1. FOR POWER SUPPLIES MADE BY NORTH ELECTRIC CO. AC INPUT WILL BE THRU P10 INLET FOR POWER SUPPLIES MADE BY DEC, AC INPUT WILL BE THROUGH CORD SET DEC PART #700006-15
- 2. +185VDC MINIMUM
+36VDC MAXIMUM
- 3. +8.6VDC MINIMUM
+18VDC MAXIMUM



REF DES	DESCRIPTION	PART NO.
FILTER ASSEMBLY		
A1	CONTROL BOARD A1	5409264
A2	CONTROL BOARD A2	5409262
Q100	2N3055 TO-41 CASE	1510008
Q300-304	2N3055 TO-41 CASE	1510008
Q200-206	2N3055 TO-41 CASE	1510008
R100R300	RES 300Ω 10W 5%	130288-0
R200	RES 100Ω 25W 5%	130288-0
R201-206	RES .1485W 1%	130189
R301-304	RES .2583W 1%	130219
R400	RES 3.9K 1/2 W 5%	1300443
S1	SWITCH THERMSTAT	1210199-0
T1	TRANSFORMER	116018-C
T2	TRANSFORMER	116017-0
J8	OUTLET AM #10103 OR EQWV	120335
P10	MALE INLET AM #5278 OR EQWV	120983
CR400A02	DIODE 1N645	1105319
F400	FUSE 1/8 SLO BLO	900627
C401	CAP .01 MFD @ 200V DC	1001610
C400	CAP 270 MFD @ 50V DC	101092-0
Q1	MOVASBY	708207
B1, 2	BLOWER	1209403
Q207	SCR PRV 100 IEC 85A	110183-0
C100	CAP 6000 MFD @ 40V DC	1010186
C101, 302	CAP 10,800 MFD @ 20V DC	1010185-0
C200-203	CAP 30,000 MFD @ 25V DC	1010184-0
C204	CAP 10 MFD @ 35V DC	1001776
C205	CAP 18,000 MFD @ 10V DC	1010187-0
C300, 301	CAP 14,000 MFD @ 40V DC	1010187-0
C302	CAP 10 MFD @ 35V DC	1001776
Q300-304	2N3055 TO-41 CASE	1510008
CBI	CKT. BRK. 10AMP	12 091-C
CR10Q101	DIODE 1N4721	110182-0
CR15Q151	DIODE 1N4721	110182-0
CR20Q201	DIODE 1N1185A	1109979
CR30Q301	DIODE 1N1201A	1100006
F500	FUSE .5A AGC	900720E
F100	FUSE 1.5 AGC	9008380
F150	FUSE 2.5A ABC	9008367
F200	FUSE 25A ABC	9008386
F300	FUSE 10A AB	9008390
K1	RELAY	1210198-0
REF DES	DESCRIPTION	PART NO.

TRANSISTOR & DIODE CONVERSION CHART

TYPE	MANUFACTURER	PART NO.	DESCRIPTION
2N3055	GE	2N3055	PNP SILICON NPN
2N3055	PHILIPS	2N3055	PNP SILICON NPN
2N3055	RAYON	2N3055	PNP SILICON NPN
2N3055	SGS	2N3055	PNP SILICON NPN
2N3055	TELEPHON	2N3055	PNP SILICON NPN
2N3055	WESTING	2N3055	PNP SILICON NPN
2N3055	YONAH	2N3055	PNP SILICON NPN

H724 SCHEMATIC

EQUIPMENT CORPORATION

DATE: 11/11/60

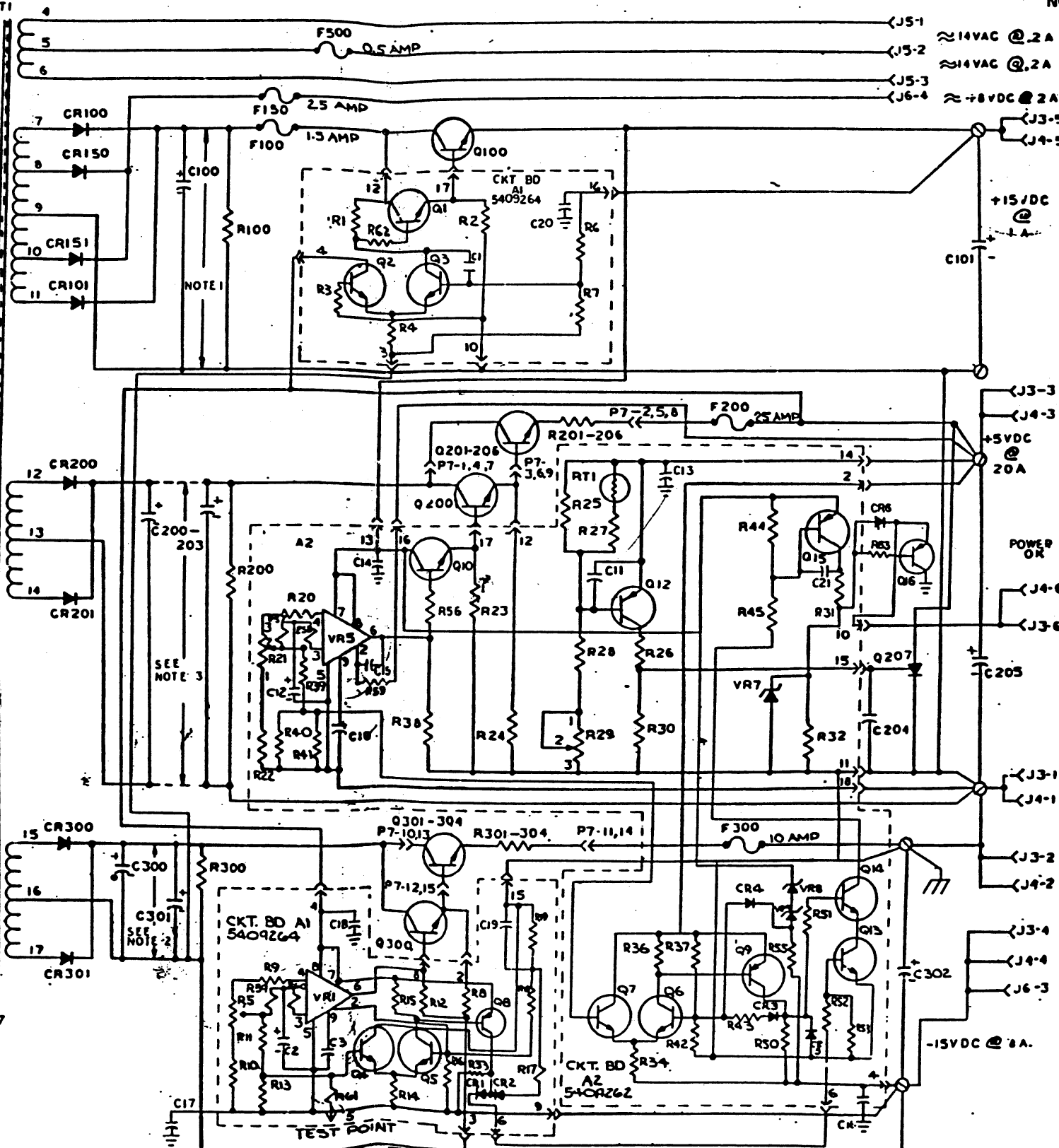
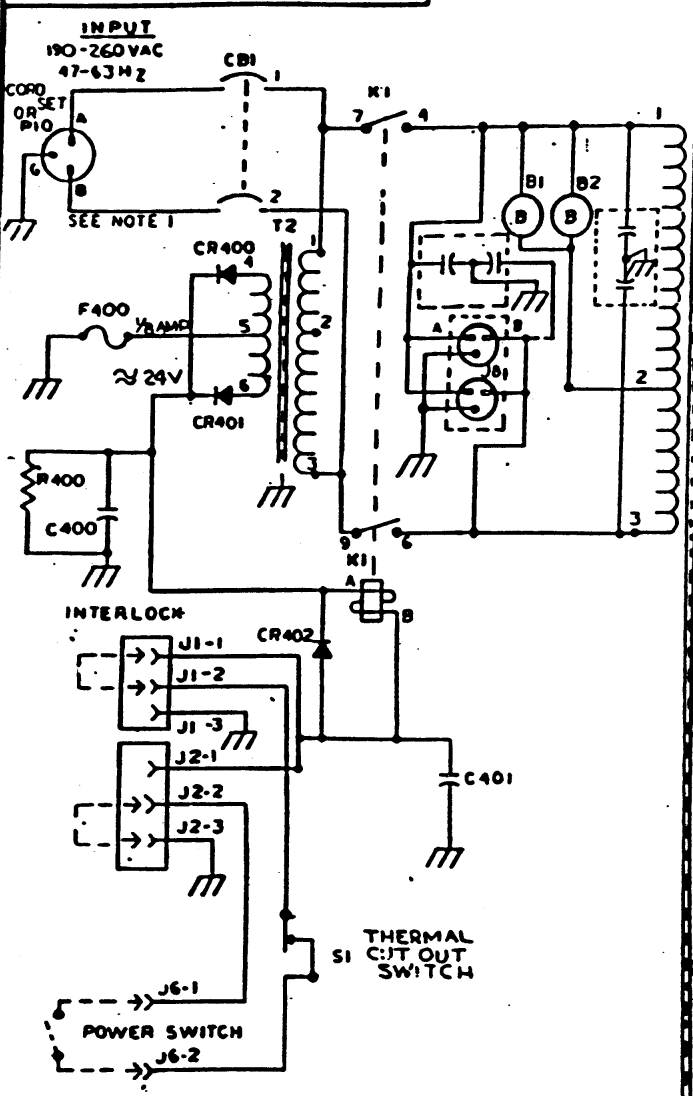
DESIGNER: [Signature]

CHECKED: [Signature]

APPROVED: [Signature]

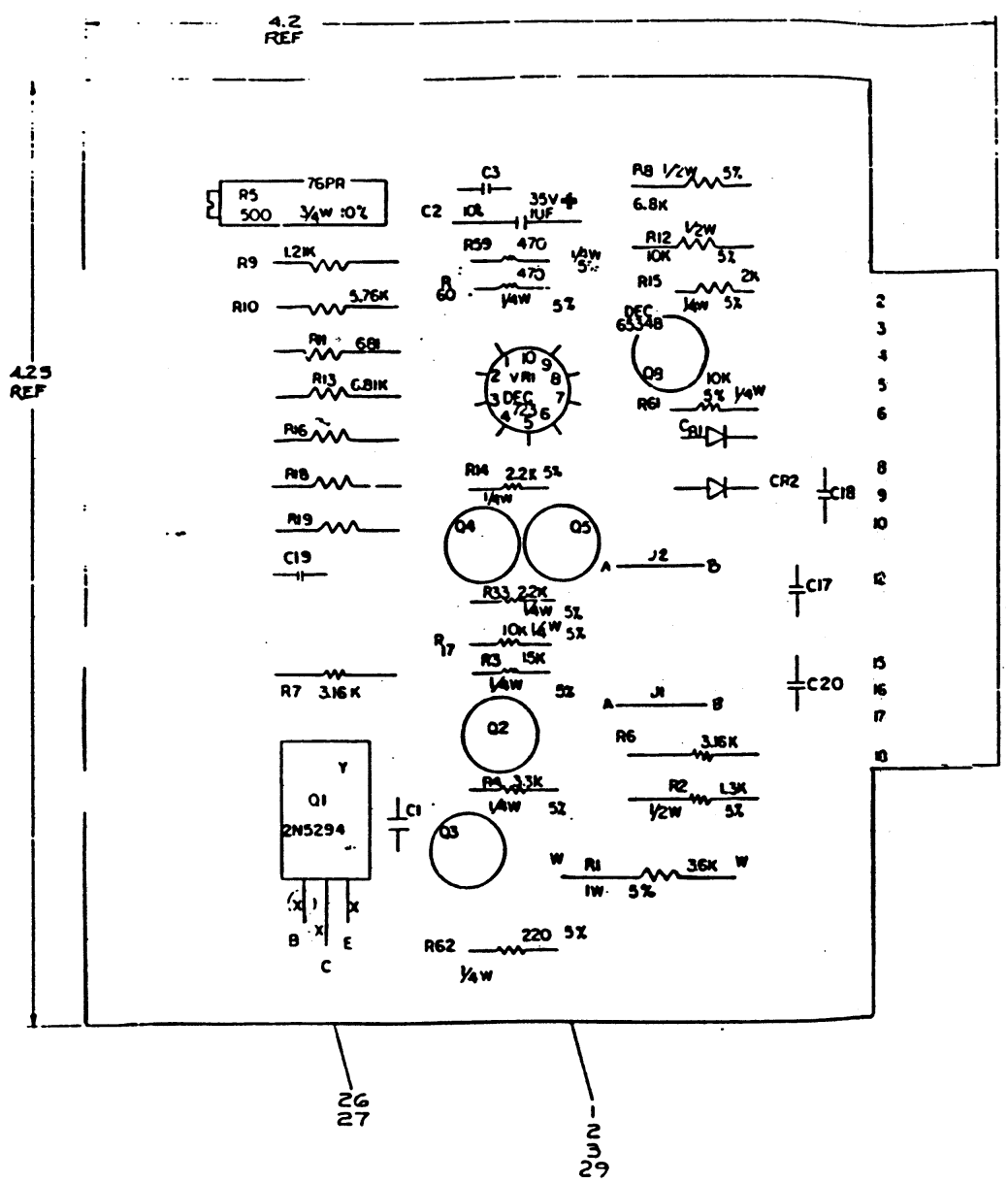
THIS SCHEMATIC IS FORWARDED ONLY FOR INFORMATION PURPOSES. THE PRODUCTS ARE FORWARDED TO THE USER AND NOT TO THE ADDRESS. DEPARTMENT 1470 BY SIGNAL EQUIPMENT CORPORATION

H724-A-1



NOTES:
 1. FOR POWER SUPPLIES MADE BY NORTH ELECTRIC CO. AC INPUT WILL BE THROUGH P10 INLET FOR POWER SUPPLIES MADE BY DEC AC INPUT WILL BE THROUGH CORD SET DEC PART 1730003-15
 2. +18.9VDC MINIMUM
 +36VDC MAXIMUM
 3. +8.6 VDC MINIMUM
 +18VDC MAXIMUM

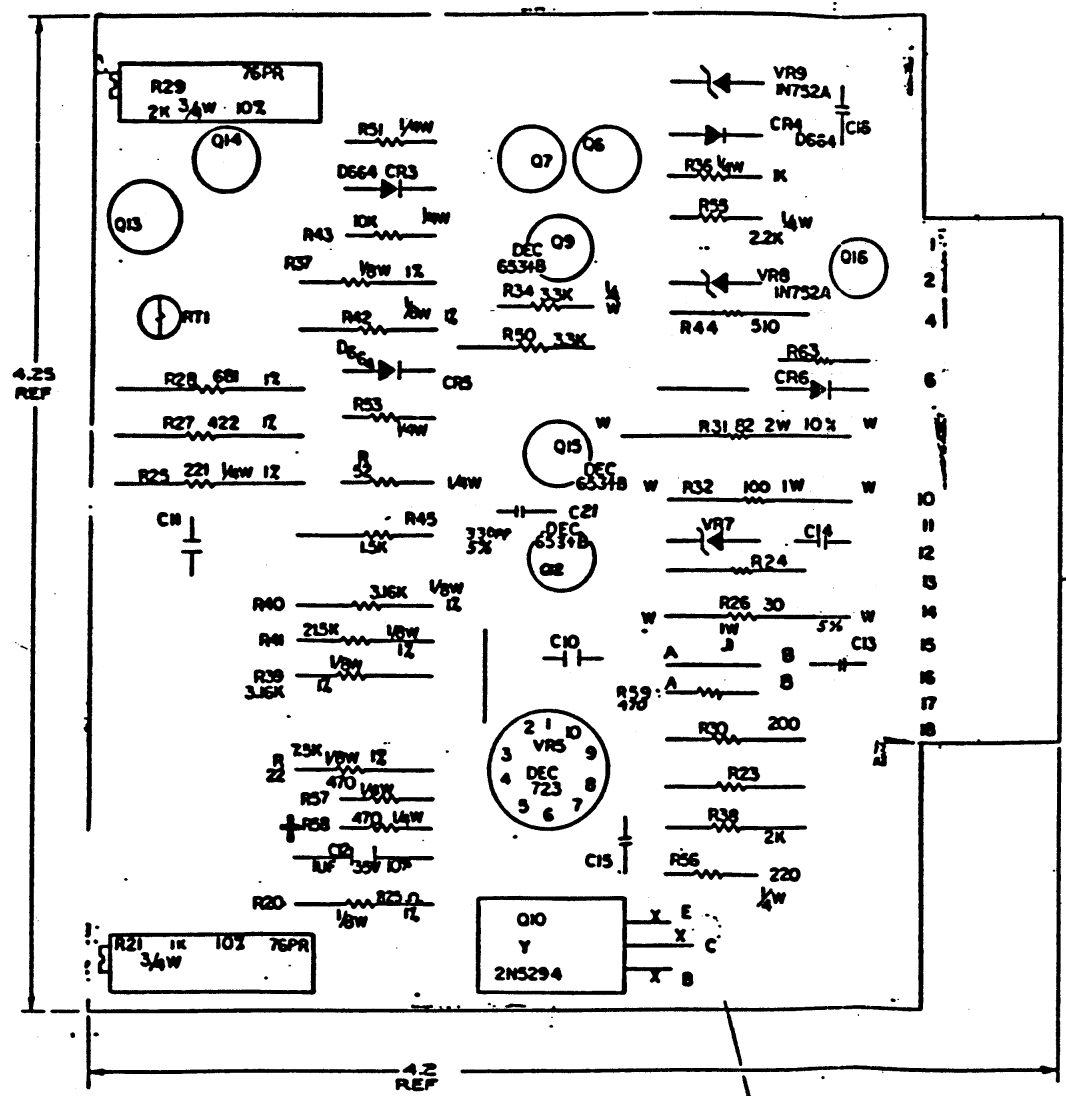
REF DES	DESCRIPTION	QTY
	FILTER ASSEMBLY	
A1	CONTROL BOARD A1	1
A2	CONTROL BOARD A2	1
Q100-Q101	2N3055 TO-18 CASE	2
R100-R101	RES 300 Ω 10W 5%	2
R200	RES 100 Ω 25W 5%	1
R201-206	RES .14R5W 1%	6
R300-304	RES .25R3W 1%	5
R400	RES 3.9 K 1/2 W 5%	1
S1	SWITCH THERMOSTAT	1
T1	TRANS FORMER	1
T2	TRANS FORMER	1
J8	OUTLET AMP #3662-DOE COMV	1
P10	MALE INLET AMP #5678 OR EQUIV	1
F400-402	DIODE 1N434	3
F400	FUSE 1/8 SLO BLO	1
C401	CAP .01MFD @ 200VDC	1
C400	CAP 270 MFD @ 50 VDC	1
	MOV-358V	1
B1, 2	BLOWER	2
Q207	SCR PRV 100 I _{AV} 35A	1
C100	CAP 6000 MFD @ 40VDC	1
C101,302	CAP 10,000MFD @ 20VDC	2
C200-203	CAP 30,000 MFD @ 25 VDC	3
C204	CAP 1.0MFD @ 35 VDC	1
C205	CAP 1000 MFD @ 10 VDC	1
C300,301	CAP 14000 MFD @ 40VDC	2
F500,801	DIODE 1N4001 @ 1000VDC	2
CBI	CKT. BRK. 5 AMP	1
CR100,101	DIODE 1N4721	2
CR150,151	DIODE 1N1185A	2
CR200,201	DIODE 1N1201A	2
CR300,301	DIODE 1N1201A	2
F500	FUSE .5A AGC	1
F100	FUSE 1.5 AGC	1
F150	FUSE 2.5A ABC	1
F200	FUSE 25A ABC	1
F300	FUSE 10A ABC	1
K1	RELAY	1
REF DES	DESCRIPTION	QTY



1	R62	RES 220.1K 1/4W 5%	1300271
1	C2	CAP 1.0MFD 35VDC 10% 1007776	34
E	R5, R60	RES 500.1K 1/4W 10%	1300316
REF		CIRCUIT SCHEMATIC	0-CY-4724-A1
REF		CIRCUIT SCHEMATIC	0-CY-4724-A1
1/2	J2	WIRE, 22 AWG ENCL	1307240-01
1		TRANSISTOR, 2N5294	1300320-1
1		RES 10K 1/4W 5%	1300457
1	Q8	TRANSISTOR, DEC 6334B	1303409-01
4	Q1, Q2, Q3, Q4	TRANSISTOR, DEC 6334	1303338
1	Q1	TRANSISTOR 2N5294	1310377
2	R7, R61	RES 10K 1/4W 5%	1300479
3	R6, R8, R9	RES 1K 1/4W 1% 100MPP	1303119
1	R5	RES 2K 1/4W 5%	1302388
2	R6, R33	RES 2.2K 1/4W 5%	1300447
1	R5	RES 6.8K 1/4W 1% 100MPP	1304870
1	R6	RES 10K 1/4W 5%	1300478
1	R4	RES 6.8K 1/4W 1% 100MPP	1302876
1	R4	RES 5.76K 1/4W 1% 100MPP	1302858
1	R8	RES 1.8K 1/4W 1% 100MPP	1302877
1	R8	RES 6.8K 1/4W 5%	1300441
2	R6, R7	RES 3.6K 1/4W 1% 100MPP	1303045
1	R5	RES POT 500 1/4W 1% 10% 1303409-08	1303409-08
1	R4	RES 3.3K 1/4W 5%	1300433
1	R3	RES 15K 1/4W 5%	1300331
1	R2	RES 1.8K 1/4W 5%	1310178
1	R1	RES 3.6K 1/4W 5%	1310176
1	VRL1	IC DECT23	1303388
2	CR1, CR2	DIODE DECA	1300446
2	C1, C2, C3	CAP .01MFD 100V 10% DISC	100446
1		ETCHED CIRCUIT BOARD	1-14 500000-04
REF		MODULE ECO HISTORY	1-14 500000-04
REF		A-Y COORDINATE HOLE	1-14 500000-04
REF		REF DESIGNS	REF NO.

8	28	22	J2-A	J2-B
8	28	22	J1-A	J1-B
ITEM NO	AMP	FROM PT	TO PT	
AMP'S LIST				

2N5294
 DEC D44C3 NAME
 DEC 6334 MP 6534
 DEC 6334B MP 6334
 D664 IN 3606
 EQUIPMENT CORPORATION
CONIRCL
BCARD
A1
 DEC NO. 1303388
 EIA 54092E4-0-0-0



QTY	REF	DESCRIPTION	MANUFACTURER	DATE
1	R63	RES. 10K. 1/4W. 5%	1301317	24
1	C21	CAP. 330 PF. 100V. 5%	10-00023	25
4	CR3, CR4, CR5, CR6	DIODE. 1N752A (OR EQUIV. 664-5)	1100448	28
1	R65	RES. 2.2K. 1/4W. 5%	1300447	31
2	R68	RES. 3300A. 1/4W. 5%	1300440	40
1	REF	CIRCUIT SCHEMATIC	D-15-4754-0-1	39
1	REF	CIRCUIT SCHEMATIC	D-15-4754-0-1	39
1	REF	WEL. #23. ASS. BUS	307540-01	38
1	REF	SCHEM. PRE. FOR NO. 24-44-33	300820-1	37
1	REF	REF. MAT. #4-40	3008207	36
1	Q10	TRANSISTOR. 2N5294	1301377	33
4	Q5, Q6, Q15, Q16	TRANSISTOR. DEC. 6534B	1302408-01	34
4	Q6, Q7, Q15, Q16	TRANSISTOR. MPS 6534	1302398	33
2	VR5, VR9	DIODE. 1N752A. 250V.	1102808	32
1	R67, R69, R79	RES. 470A. 1/4W. 5%	1400346	31
1	RT1	TRANSISTOR. 1000. 210%	1300770	30
4	R16, R17, R18, R19	RES. 1K. 1/4W. 5%	1300368	29
1	R45	RES. 1.5K. 1/4W. 5%	1300394	27
1	R44	RES. 510. 1/4W. 5%	1300391	27
1	R43	RES. 10K. 1/4W. 5%	1300477	26
1	R40	RES. 3.6K. 1/4W. 5%	1300388	25
2	R39, R40	RES. 330A. 1/4W. 5%	1300448	24
1	R38	RES. 2K. 1/4W. 5%	1300387	23
2	R37, R42	RES. 1K. 1/4W. 5%	1300344	22
1	C12	CAP. 10. MF. 35V. 10%	1071778	21
1	R34	RES. 3300. 1/4W. 5%	1300439	20
1	R32	RES. 100. 1/4W. 5%	1300238	19
1	R31	RES. 2K. 2W. 10%	1300430	18
1	R30	RES. 200. 1/4W. 5%	1300230	17
1	R29	RES. 2K. 1/4W. 10% (MPS)	100043-03	16
1	R28	RES. 60. 1/4W. 1% (MPS)	1302382	15
1	R27	RES. 470. 1/4W. 1% (MPS)	1300388	14
1	R26	RES. 30. 1/4W. 5%	1302792	13
1	R25	RES. 221. 1/4W. 1% (MPS)	1302382	12
2	R23, R24	RES. 1K. 1/4W. 5%	1300344	11
1	R22	RES. 1.5K. 1/4W. 5%	1300394	10
1	R21	RES. 1K. 1/4W. 5%	1300368	9
1	R20	RES. 3.6K. 1/4W. 5%	1300388	8
1	R19	RES. 2K. 1/4W. 5%	1300387	7
1	R18	RES. 10K. 1/4W. 5%	1300477	6
1	R17	RES. 510. 1/4W. 5%	1300391	5
1	R16	RES. 1K. 1/4W. 5%	1300368	4
1	R15	RES. 2.2K. 1/4W. 5%	1300447	3
1	R14	RES. 3300A. 1/4W. 5%	1300440	2
1	R13	RES. 470A. 1/4W. 5%	1400346	1

LA 725 C	5	2	30	22	JE-A	JE-B
IC TYPE	Q10	Q11	Q12	Q13	Q14	Q15
Q10	2N5294					
Q11						
Q12						
Q13						
Q14						
Q15						

REV	DATE	DESCRIPTION	BY	CHKD
1				
2				
3				
4				
5				
6				
7				
8				
9				
10				
11				
12				
13				
14				
15				
16				
17				
18				
19				
20				
21				
22				
23				
24				
25				
26				
27				
28				
29				
30				
31				
32				
33				
34				
35				
36				
37				
38				
39				
40				
41				
42				
43				
44				
45				
46				
47				
48				
49				
50				

CONTROL BOARD
A2

ETA-409262-0-0