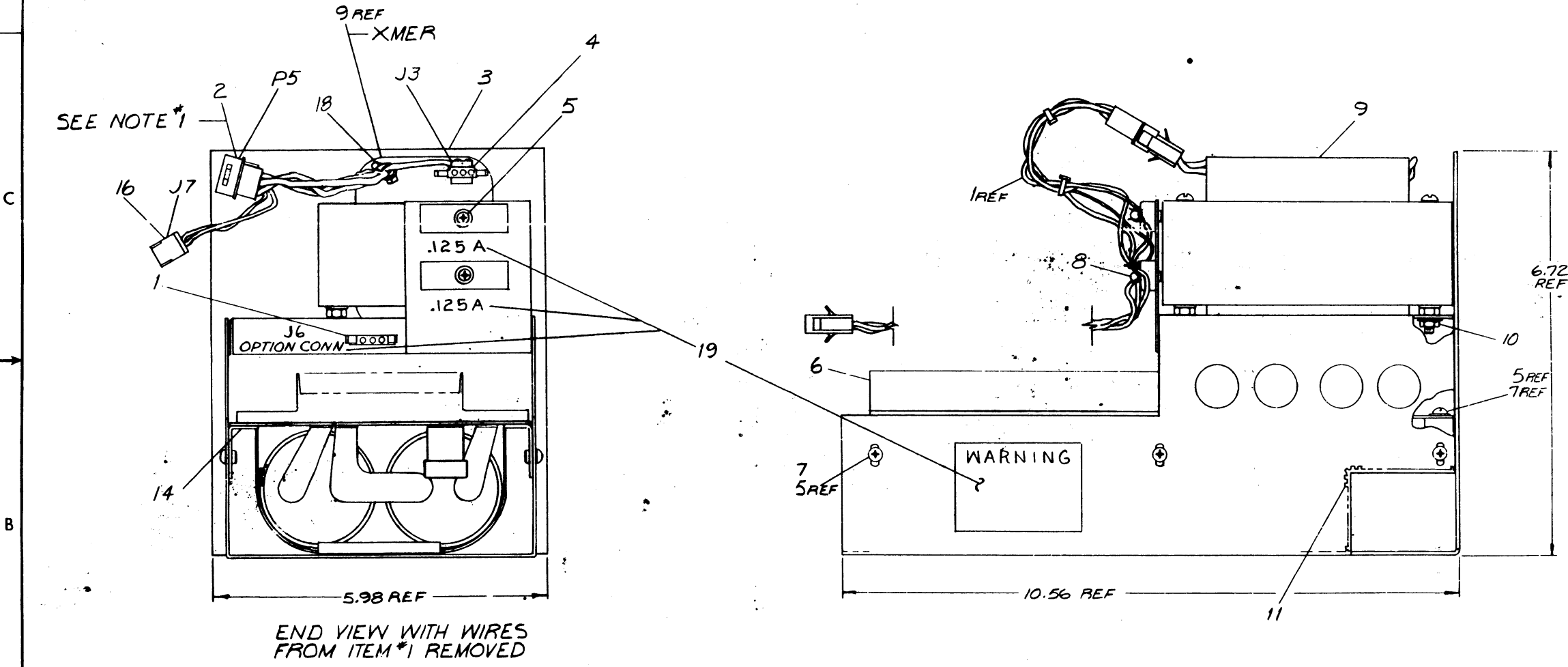


The drawing and specifications, herein, are the property of Digital Equipment Corporation and shall not be reproduced or copied or used in whole or in part as the basis for the manufacture or sale of items without written permission.

WIRE TABLE						
ITEM NO.	DESCRIPTION	FROM:	TO:			
			CONNECTION WITH	CONNECTION WITH		
9	BLU	XMER	-	J3-3	12	
	BLU		-	J3-2	12	
	BLU		-	J3-1	12	
	RED		-	P5-3	13	
	RED		-	P5-4	13	
	WHT		-	P5-1	13	
9	BLK	XMER	-	P5-2	13	
17 18	BLK	J7-1	12	P5-5	13	
17 18	BLK	J7-2	12	P5-6	13	

LENGTH OF WIRE TO BE 4 IN ± 1/2 IN

NOTES:  
1. LENGTH OF WIRES TERMINATING TO P5 (ITEM 2), ARE TO BE 8 INCHES ± 1/2 INCH.



QTY.	DESCRIPTION	PART NO.	ITEM NO.
1	DECAL	A DC-709651-0-0	19
1	TIE WRAP PADUIT SST-18	9007031	18
A/R	WIRE 13 AWG TEF INS	9107360-00	17
1	CONN MATE-N-LOK (FEM)	1210821-02	16
1	STRAIN RELIEF	9008442	15
6	BRKT. SUPPORT ETCH BD	CIA-709925-0-0	14
6	CONTACT, MATE-N-LOK (MALE)	1209378-01	13
5	CONTACT, MATE-N-LOK (FEM)	1209379-01	12
A/R	SACCMET	9007621	11
4	NUT, KEP # 8-32	9006563	10
1	XMER (TRANSFORMER)	1610601-02	9
2	FUSE 1/8AMP (3AG) S.B.	9008527	8
12	WASHER, INT TOOTH LOCK #6	9006633	7
1	REGULATOR BD ASSY	E-1A-5A097280-0	6
10	SCR, PHIL PAN HD # 6-32 X .25	9006020-1	5
1	CONN, MATE-N-LOK 3 CKT	1209350-03	4
1	CHASSIS, P.S.	D-1A-7093160-0	3
1	CONN, MATE-N-LOK 6 CKT	1209351-06	2
1	HARNASS, SECONDARY	D-1A-7008534-00	1

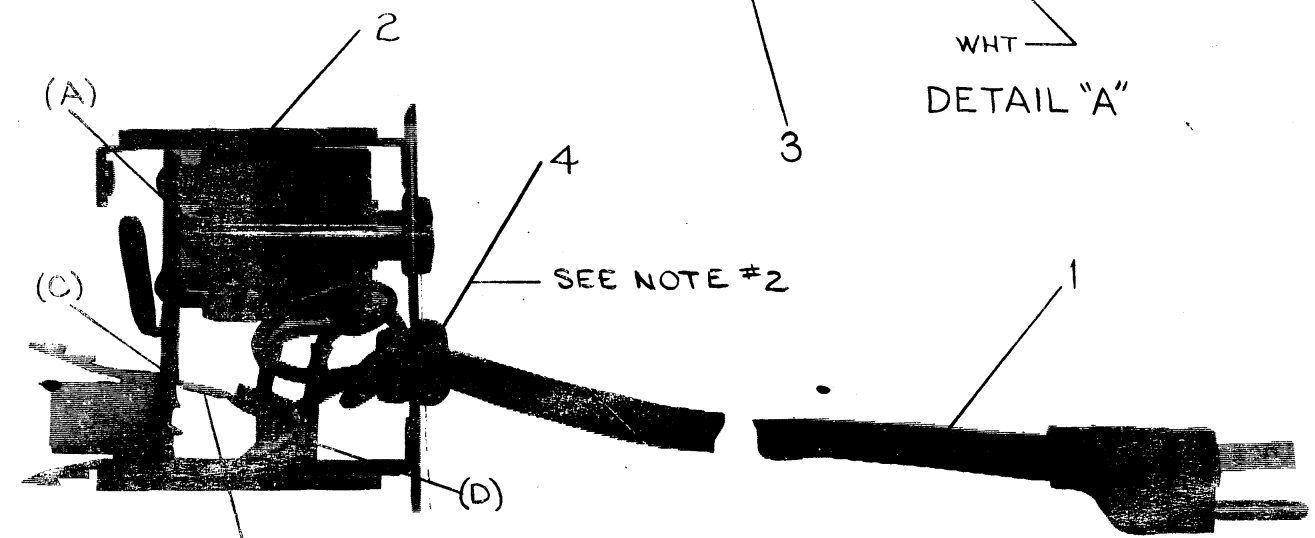
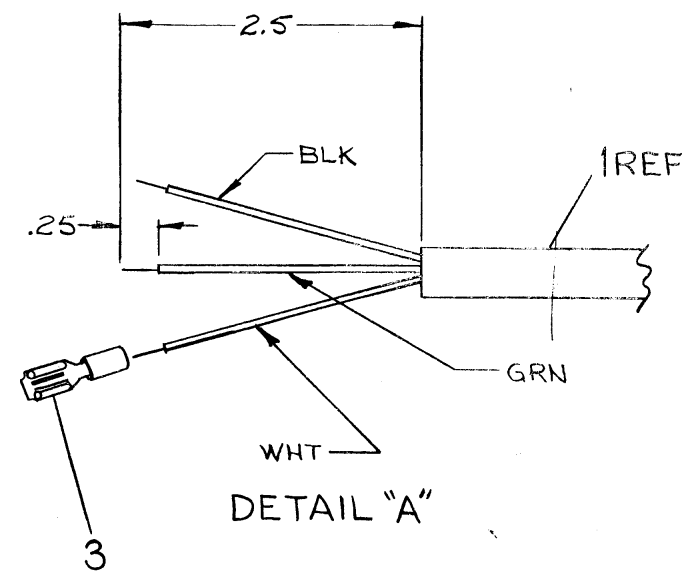
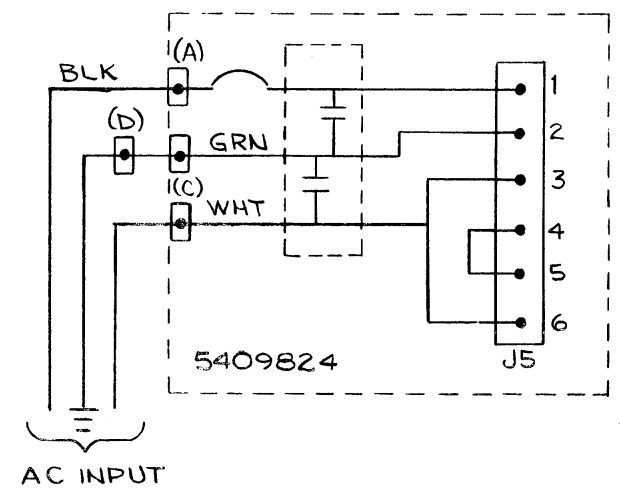
FIRST USED ON OPTION/MODEL		PARTS LIST	
PDP 8 M		QTY.	DESCRIPTION
UNLESS OTHERWISE SPECIFIED DIMENSION IN INCHES TOLERANCES			
DECIMALS	ANGLES	TITLE	
.XXX = .006	10° 30'	POWER SUPPLY ASSY	
.XX = .02		NEXT HIGHER ASSY.	
X = .1		D-1A-PDPBM-0-0	
REMOVE BURRS AND BREAK SHARP CORNERS SURFACE QUALITY		SIZE CODE	NUMBER
MATERIAL		DAD	7008714-0-0
FINISH		SCALE	REV
		NONE	A
		SHEET	DIST
		OF 1	

REV.	CHANGE NO.	DATE	BY
1	7008714-00001 A	1-7-72	P. GARDNER
2	2-18-72		

erty of Digital Equipment Corporation and shall not be reproduced or copied or used in whole or in part as the basis for the manufacture or sale of items without written permission.

NOTES:

1. CONNECT ITEM #1 (POWER CORD) AND ITEM #2 (AC INPUT BOX) PER CIRCUIT SCHEMATIC.
2. FOR INSTALLATION USE HAYCO #29 STRAIN RELIEF PLIERS



SEE NOTE #2  
SEE DETAIL 'A'  
3 REF  
SHOWN WITHOUT COVER

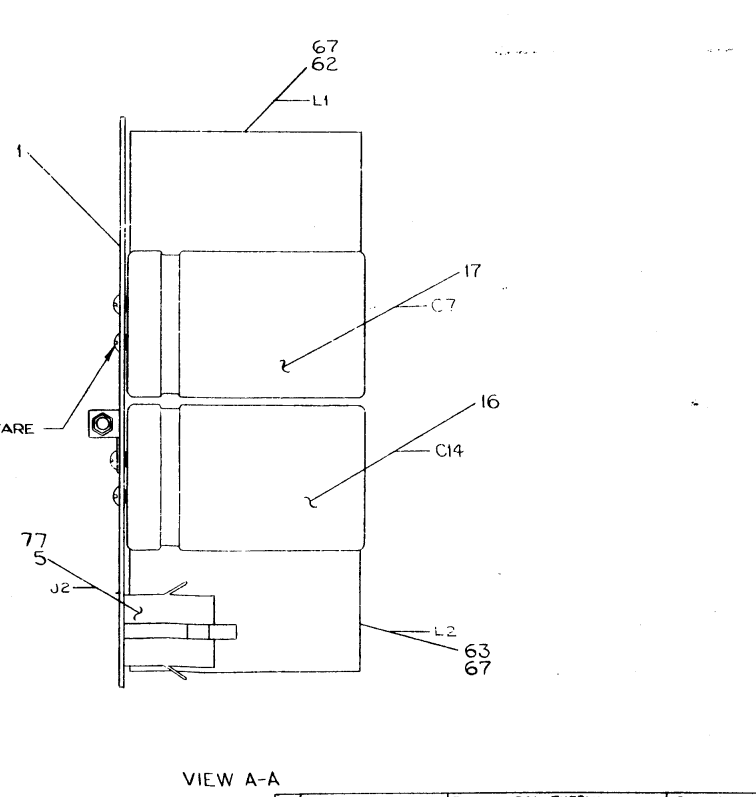
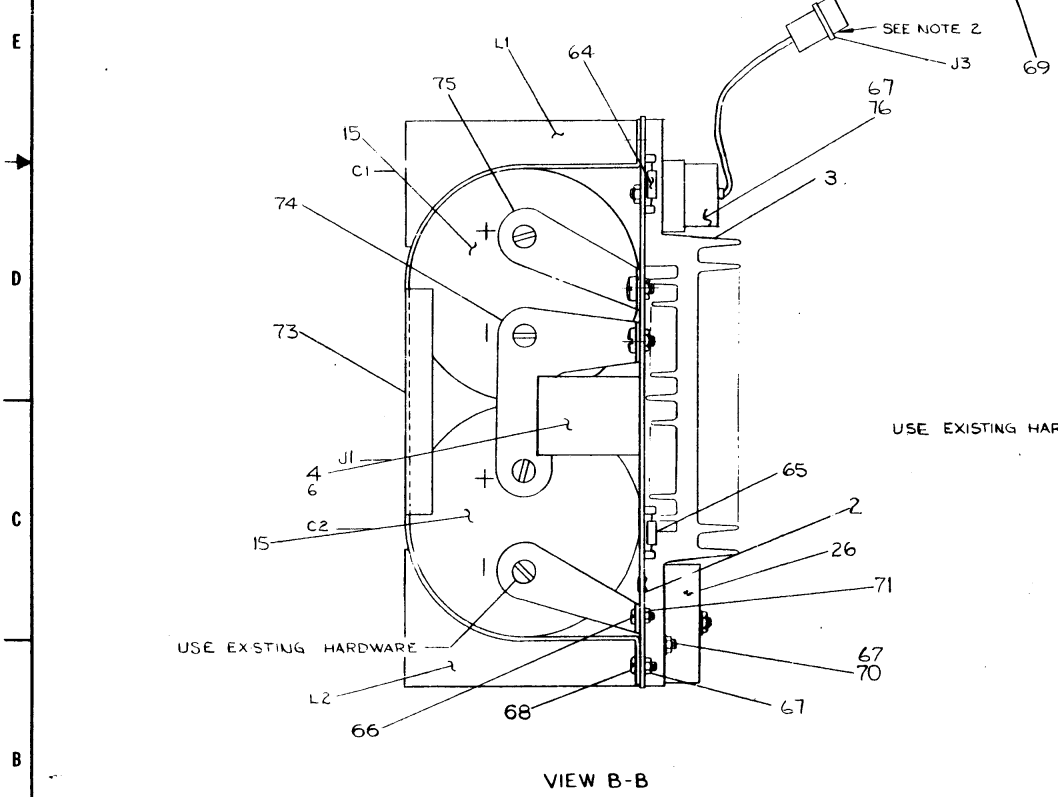
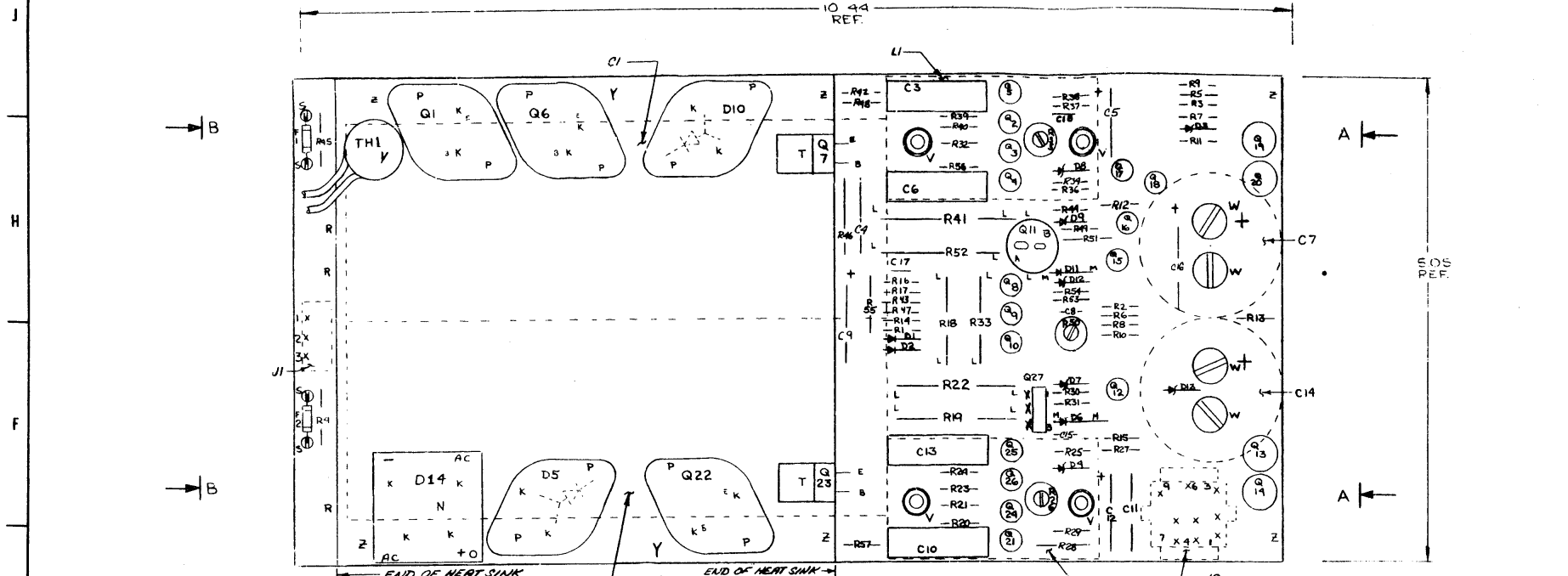
1	GROMMET HEYCO 6 P4	9007142	4
3	SOLDERLESS CONN. ARKLESS	9007917	3
1	AC INPUT BOX H400A	D-UA-H400-0-0	2
1	POWER CORD 120V	170015-6	1

FIRST USED ON OPTION/MODEL 11/05		QTY.	DESCRIPTION	PART NO.	ITEM NO.
PARTS LIST					
UNLESS OTHERWISE SPECIFIED DIMENSION IN INCHES. TOLERANCES		DRN <i>T. Quillin</i>	DATE 12-27-71	 <b>digital</b> EQUIPMENT CORPORATION MAYNARD MASSACHUSETTS	
DECIMALS	ANGLES	CHK'D <i>H. Antone</i>	DATE 1-8-72		
.XXX = .005	±0° 30'	ENG. <i>David DeMunnelle</i>	DATE 1-4-72		
.XX = .02		PROJ. ENG. <i>R. H. Harty</i>	DATE 1-7-72		
REMOVE BURRS AND BREAK SHARP CORNERS SURFACE QUALITY ✓		PROD. <i>R.K. Petersen</i>	DATE 1/2/72	TITLE LINE SET 115V AC 7 AMP	
MATERIAL		NEXT HIGHER ASSY.			
FINISH		SCALE		SIZE CODE	NUMBER
		SHEET 1 OF 1		C UA	BC05H-0-0

REVISIONS	REV.
CHANGE NO.	
CHK	

REV.	
NUMBER	BC05H-0-0
SIZE CODE	C UA

Use of this drawing and specifications, herein, on the part of the manufacturer, is subject to the approval of the customer. The customer shall be responsible for the interpretation of this drawing and specifications.



NOTE  
 1. APPLY ITEM #8 (THERMAL COMPOUND) BETWEEN TRANSISTOR AND INSULATOR, WASHERS, ITEM #9, ALSO BETWEEN WASHER & HEAT SINK FOR Q1 Q6 Q7 Q22 Q23 DS400 INSULATOR WASHERS FOR Q7 & Q23 ARE TO BE 1/8" TO SIZE.  
 2. TRIM LEADS ON ITEM #7 (THERMOSTAT) TO .5 INCHES AND ATTACH ITEM #54 (PINS) AND ITEM #53 (HOUSING) AS SHOWN.

QTY	REF DESIGNATION	DESCRIPTION	PART NO.	ITEM NO.
1	R16	RES 6.8K 1/4W 5%	1301423	28
1	R17	RES 1.32K 1/8W 5%	1301423	29
2	R19, R13	RES 470 1/4W 5%	1300376	35
1	R23	PAS M-6 C-2 RMP	229378	24
1	R24	MATE-N-LOCK CONNECTOR	1209350-09	5
1	D1/2	DIODE 1N752A 5.6V ZENER	110766	28
1	C12	CAP 10 MF 20V 10% TANT	1004873	80
2	R39, R40	RES 5.1 1/4W 5%	1309422	78
1	E11	PIN FEMALE	1209456-01	72
1	E11	THERMOSTAT	120884	70
2		CONTACT CAPACITOR	1300537-78	73
1		CONTACT COMMON CAPACITOR	1300537-79	74
1		HOLDER, CAPACITOR	1300537-80	73
1				73
5		NUT KEPS 4-40	9006557	71
1		SCR PHL PAN HD 6-32-3/4 LG	9004026-1	70
2		SCR PHL PAN HD 4-40X 1/2 LG	9004013	69
12		SCR TRUSS HD 6-32 X 9/16 LG	9007793-1	68
10		NUT KEPS #6-32 X 1/4	9006185	67
1	F2	SCR PHL PAN HD 4-40 X 5/16 LG	9006010-4	66
1	F1	FUSE 5AMP PICO	225747	65
1	L2	FUSE 15AMP PICO	12929	64
1	L1	CHOKER 220UH 7A MM 4340	140141	63
1	L1	CHOKER 100MH 20A MM 4780	140717	62
1	Q1	XSTR MAC 11-3	1510765	61
1	Q1	XSTR M4900	1510712	60
1	Q7, Q23	XSTR D45 HB D	1510708-2	59
10	Q2, Q3, Q5, Q6, Q9, Q15, Q16, Q17, Q18, Q26	XSTR GPS A55	1510706	58
6	Q1, Q2, Q4, Q7, Q8, Q24, Q25	XSTR GPS A85	1510705	57
2	Q16, Q22	XSTR 2N1302	1510196	56
2	Q14, Q19	XSTR 2N1309	1510311	55
2	Q13, Q20	TRANSISTOR 2N1308	1500583	54
1	R41	RES 325 1/4W 1%	1303079-1	53
2	R22	RES 2.5W 5%	1309684	51
1	R25, R35, R50	POT 100 1/2W 20% 62PR	130160-35	49
2	R19, R52	RES 1.5W 5% WW	1305872	40
1	R33	RES 32 2W 5% WW	1312868	48
1	R10	RES 7.5K 1/8W 1% MF	1303322	47
2	R25, R34	RES 363 1/8W 1% MF	1305125	46
1	R2, R5, R6, R11, R12, R3	RES 10K 1/8W 1% MF	1303312	45
4	R8, R1, R7, R14	RES 1K 1/8W 1% MF	1303118	44
2	R27, R36	RES 469 1/8W 1% MF	1303047	43
1	R49	RES 147 1/8W 1% MF	1302874	41
2	R24, R47	RES 68K 1/4W 5%	1301327	38
5	R20, R21, R23, R43, R45, R46, R57	RES 10 1/4W 5%	1301317	37
4	R38, R43, R46, R57	RES 10K 1/4W 5%	1300479	36
4	R28, R46, R4, R45	RES 4.7K 1/2W 5%	1300445	35
1	R65	RES 2.7K 1/2W 5%	1300425	34
2	R29, R37	RES 1K 1/4W 5%	1300365	32
1	R44	RES 330 1/4W 5%	1300295	31
1	R18	RES 100 4W 5%	1300236	30
7	R15, R17, R23, R24, R42, R53	RES 100 1/4W 5%	1300229	29
1	D1	DIODE 1N5248B 18V ZENER	110766	28
2	D5, D10	DIODE 20AMP FAST RECOVERY RECT	110715	27
1	D14	DIODE BRIDGE RECTIFER	110714	26
1	D3	DIODE 51V ZENER	110925	25
2	D6, D11	DIODE A15B	110420	24
2	D1, D2	DIODE 1N4004	1105796	23
2	D4, D8	DIODE 1N753A 6.2V ZENER	1102421	22
1	D9	DIODE A25 2.4V ZENER	1101938	21
1	D13	DIODE 1N748A 3.9V ZENER	1100122	20
1	D12	DIODE 1N748A 3.9V ZENER	1100122	19
1	C9	CAP 20MF 60V 5% TANT	1010716	18
1	C7	CAP 6000 MF 10V -10+75% STANT	1010704	17
1	C14	CAP 3000 MF 25V -10+75% STANT	1010703	16
2	C1, C2	CAP 2400 MF 50V -10+75% STANT	1010702	15
1	C16	CAP 47 MF 20V 10% STANT	1004814	14
4	C3, C6, C10, C13	CAP 1MF 250V 20%	1003054	13
1	C8, C15	CAP .01 MF 100V 20% DISC	1001610	12
1	C5	CAP 39 MF 10V 10% STANT	000076	11
2	C4, C11	CAPACITOR .033 MF 100V 10% MYLAR	1000050	10
1		INSULATOR WASHER	9006781	9
1		THERMAL COMPOUND	9006268	8
1		PINS - FEMALE	1210823-01	6
1	J2	MATE-N-LOCK CONNECTOR	1209350-09	5
1	J1	MATE-N-LOCK CONNECTOR	1209351-03	4
1		HEAT SINK	1210596	3
4		SPLIT LUG	9006733	2
1		ETCHED BOARD	5004927	1

IC TYPE	GRID	+5V	ITEM NO	AWG	FROM PT	TO PT

1	R51	RES 100, 3% THERMI	1310927	93
2	C17, C18	CAP 680 PF, 100V, DM	1000026	92
4	A/A			91
9	A/A			90
6	A/K			89

ETCH BOARD REV C

PARTS LIST

D-664 IN3606

2N1308 SAME

2N1309 SAME

REGULATOR BOARD

DEC NO. EIA NO. DEC NO. EIA NO.

SCALE 2/1

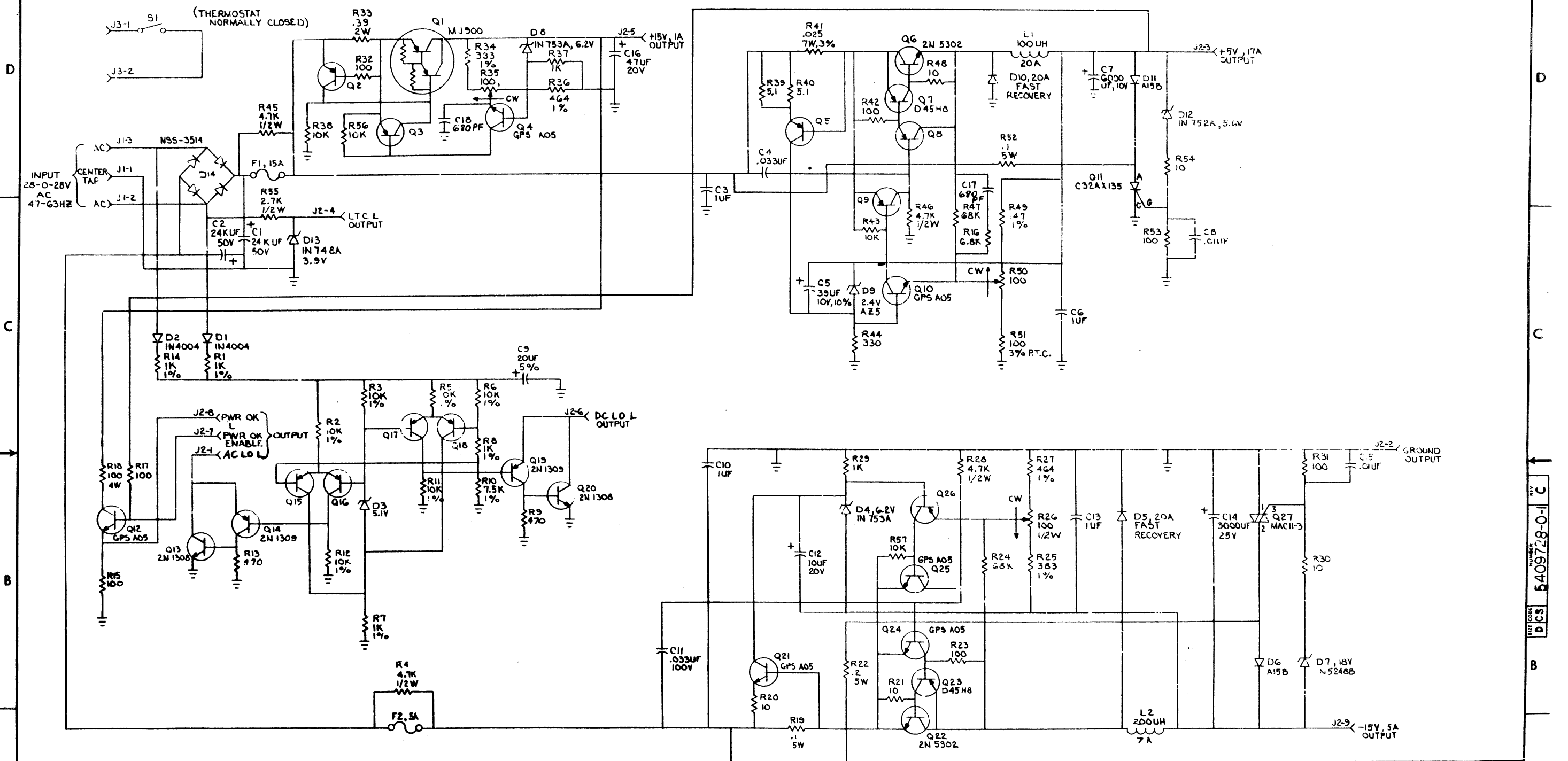
DATE 11/8/71

REV C

14 5409728-0-0

This drawing and specifications, herein, are the property of Digital Equipment Corporation and shall not be reproduced or copied or used in whole or in part as the basis for the manufacture or sale of items without written permission.

5409728-0-1



UNLESS OTHERWISE INDICATED:  
 1% RESISTORS ARE 1/8 W  
 TRANSISTORS - GFS A55

QTY	REF DESIGNATION	DESCRIPTION	PART NO.	ITEM NO.													
PARTS LIST																	
ETCH BOARD REV B C																	
<table border="1"> <tr> <td>DRN. <i>R. WOLFF</i></td> <td>DATE 12-20-71</td> <td rowspan="6">            DIGITAL EQUIPMENT CORPORATION            MAYNARD, MASSACHUSETTS         </td> </tr> <tr> <td>CHKD. <i>AMARV MOORE</i></td> <td>DATE 12-21-71</td> </tr> <tr> <td>ENG. <i>R. WOLFF</i></td> <td>DATE 12-28-71</td> </tr> <tr> <td>PROL. ENG. <i>R. WOLFF</i></td> <td>DATE 12-29-71</td> </tr> <tr> <td>PROD. <i>R. WOLFF</i></td> <td>DATE 12-29-71</td> </tr> <tr> <td colspan="2">NEXT HIGHER ASSY</td> </tr> </table>					DRN. <i>R. WOLFF</i>	DATE 12-20-71	DIGITAL EQUIPMENT CORPORATION MAYNARD, MASSACHUSETTS	CHKD. <i>AMARV MOORE</i>	DATE 12-21-71	ENG. <i>R. WOLFF</i>	DATE 12-28-71	PROL. ENG. <i>R. WOLFF</i>	DATE 12-29-71	PROD. <i>R. WOLFF</i>	DATE 12-29-71	NEXT HIGHER ASSY	
DRN. <i>R. WOLFF</i>	DATE 12-20-71	DIGITAL EQUIPMENT CORPORATION MAYNARD, MASSACHUSETTS															
CHKD. <i>AMARV MOORE</i>	DATE 12-21-71																
ENG. <i>R. WOLFF</i>	DATE 12-28-71																
PROL. ENG. <i>R. WOLFF</i>	DATE 12-29-71																
PROD. <i>R. WOLFF</i>	DATE 12-29-71																
NEXT HIGHER ASSY																	
TITLE			REV. C														
REGULATOR BOARD FOR H740			REV. C														
SIZE CODE DCS		NUMBER 5409728-0-1		REV. C													

REV	CHANGE NO.	REVISIONS
1	1-19-72	R. WOLFF
2	1-20-72	R. WOLFF
3	1-21-72	R. WOLFF
4	1-22-72	R. WOLFF
5	1-23-72	R. WOLFF
6	1-24-72	R. WOLFF
7	1-25-72	R. WOLFF
8	1-26-72	R. WOLFF
9	1-27-72	R. WOLFF
10	1-28-72	R. WOLFF
11	1-29-72	R. WOLFF
12	1-30-72	R. WOLFF
13	1-31-72	R. WOLFF
14	1-32-72	R. WOLFF
15	1-33-72	R. WOLFF
16	1-34-72	R. WOLFF
17	1-35-72	R. WOLFF
18	1-36-72	R. WOLFF
19	1-37-72	R. WOLFF
20	1-38-72	R. WOLFF
21	1-39-72	R. WOLFF
22	1-40-72	R. WOLFF
23	1-41-72	R. WOLFF
24	1-42-72	R. WOLFF
25	1-43-72	R. WOLFF
26	1-44-72	R. WOLFF
27	1-45-72	R. WOLFF
28	1-46-72	R. WOLFF
29	1-47-72	R. WOLFF
30	1-48-72	R. WOLFF
31	1-49-72	R. WOLFF
32	1-50-72	R. WOLFF
33	1-51-72	R. WOLFF
34	1-52-72	R. WOLFF
35	1-53-72	R. WOLFF
36	1-54-72	R. WOLFF
37	1-55-72	R. WOLFF
38	1-56-72	R. WOLFF
39	1-57-72	R. WOLFF
40	1-58-72	R. WOLFF
41	1-59-72	R. WOLFF
42	1-60-72	R. WOLFF
43	1-61-72	R. WOLFF
44	1-62-72	R. WOLFF
45	1-63-72	R. WOLFF
46	1-64-72	R. WOLFF
47	1-65-72	R. WOLFF
48	1-66-72	R. WOLFF
49	1-67-72	R. WOLFF
50	1-68-72	R. WOLFF
51	1-69-72	R. WOLFF
52	1-70-72	R. WOLFF
53	1-71-72	R. WOLFF
54	1-72-72	R. WOLFF
55	1-73-72	R. WOLFF
56	1-74-72	R. WOLFF
57	1-75-72	R. WOLFF
58	1-76-72	R. WOLFF
59	1-77-72	R. WOLFF
60	1-78-72	R. WOLFF
61	1-79-72	R. WOLFF
62	1-80-72	R. WOLFF
63	1-81-72	R. WOLFF
64	1-82-72	R. WOLFF
65	1-83-72	R. WOLFF
66	1-84-72	R. WOLFF
67	1-85-72	R. WOLFF
68	1-86-72	R. WOLFF
69	1-87-72	R. WOLFF
70	1-88-72	R. WOLFF
71	1-89-72	R. WOLFF
72	1-90-72	R. WOLFF
73	1-91-72	R. WOLFF
74	1-92-72	R. WOLFF
75	1-93-72	R. WOLFF
76	1-94-72	R. WOLFF
77	1-95-72	R. WOLFF
78	1-96-72	R. WOLFF
79	1-97-72	R. WOLFF
80	1-98-72	R. WOLFF
81	1-99-72	R. WOLFF
82	1-100-72	R. WOLFF

SEMICONDUCTOR CONVERSION CHART

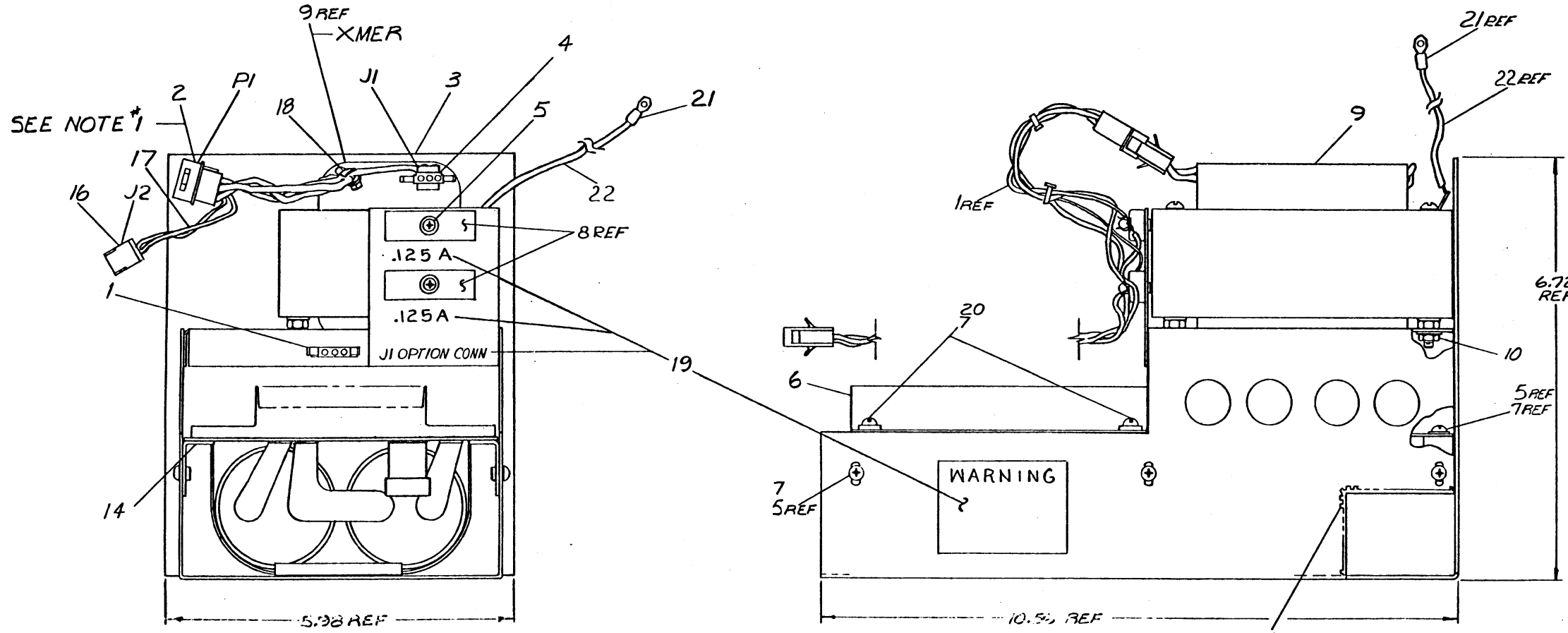
SHEET 1 OF 1

This drawing and specifications, herein, are the property of Digital Equipment Corporation and shall not be reproduced or copied or used in whole or in part as the basis for the manufacture or sale of items without written permission.

WIRE TABLE					
ITEM NO.	DESCR.	PLC.	FROM:	TO:	
NO.	AVG	COLOR	CONNECTION	WITH	CONNECTION WITH
9		BLU	XMER	-	J1-3 12
		BLU		-	J1-2 12
		BLU		-	J1-1 12
		RED		-	PI-3 13
		YEL		-	PI-4 13
		WHT		-	PI-1 13
9		BLK	XMER	-	PI-2 13
17	18	BLK	J2-1	12	PI-5 13
17	18	BLK	J2-2	12	PI-6 13
22	18	GRN	XMER	SOLDEE	- 21

LENGTH OF WIRE TO BE 4 IN ± 1/2 IN

NOTES:  
 1. LENGTH OF WIRES TERMINATING TO PS (ITEM 2), ARE TO BE 8 INCHES ± 1/2 INCH.  
 2. COMPONENTS J1, J2, & PI, TO BE LABELED WITH COMPONENT IDENTIFIERS, USING BRADY MARKERS.



END VIEW WITH WIRES FROM ITEM #1 REMOVED

QTY	WIRE 18 AWG GREEN	9107360-55	22
1	TERMINAL SOLDERLESS	9007927	21
4	SCR, PHIL PAN HD #6-32X.50	9006024-1	20
1	DECAL	A-DC-7409651-0-0	19
1	TIE WRAP PADUIT SST-18	9007031	18
A/R	WIRE 18 AWG BLK	9107360-00	17
1	CONN, MATE-N-LOK (FEM)	1210821-02	16
1	STRAIN, RELIEF	9008442	15
6	BRKT, SUPPORT ETCH BD	C-1A-7409375-0-0	14
6	CONTACT, MATE-N-LOK (MALE)	1209378-01	13
5	CONTACT, MATE-N-LOK (FEM)	1209379-01	12
A/R	GROMMET	9007621	11
4	NUT, KEP #8-32	9006563	10
1	XMER (TRANSFORMER)	1610601-02	9
2	FUSE 1/8AMP (3AG) S.B.	9008527	8
12	WASHER, INT TOOTH LOCK #6	9006633	7
1	REGULATOR BD ASSY	E-1A-54091280-0	6
10	SCR, PHIL PAN HD #6-32 X.25	9006020-1	5
1	CONN, MATE-N-LOK 3 CKT	1209350-03	4
1	CHASSIS, P.S.	D-1A-7409376-00	3
1	CONN, MATE-N-LOK 6 CKT	1209351-06	2
1	HARNESS, SECONDARY	D-1A-7008534-00	1

FIRST USED ON OPTION/MODEL	QTY.	DESCRIPTION	PART NO.	ITEM NO.
PDP 8-1				

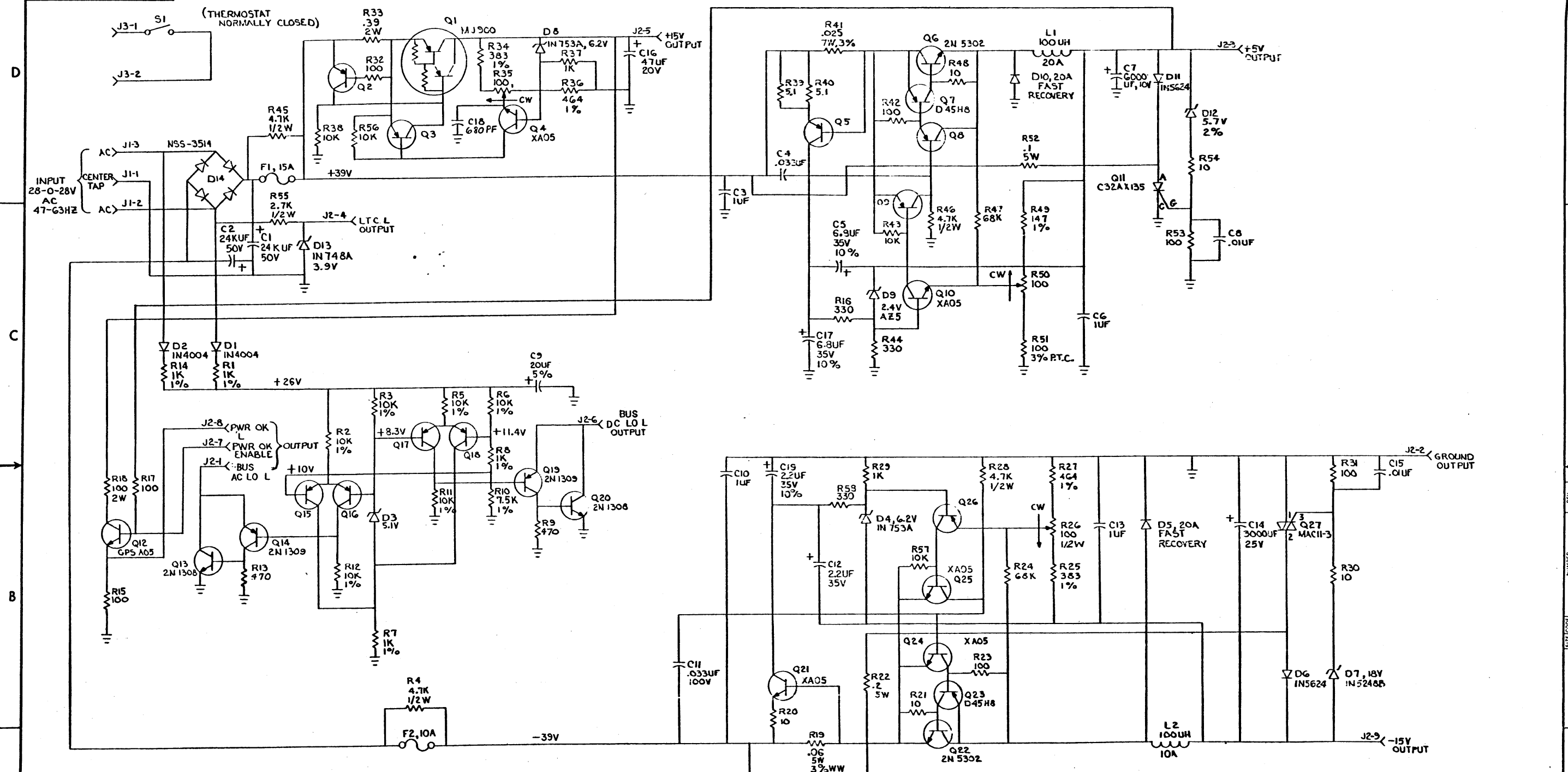
  

UNLESS OTHERWISE SPECIFIED DIMENSION IN INCHES TOLERANCES		DRM	DATE	PARTS LIST	
DECIMALS	ANGLES	CHKD	DATE	DIGITAL EQUIPMENT CORPORATION	
.XXX - .005		ENG	DATE	MAYFORD MASSACHUSETTS	
.XX - .02	±0°30'	PBJ/ENG	DATE	TITLE	
.X - .1		PROD	DATE	POWER SUPPLY ASSY	
REMOVE BURRS AND BREAK SHARP CORNERS SURFACE QUALITY ✓			DATE	SIZE CODE	
			DATE	NUMBER	
MATERIAL		NEXT HIGHER ASSY.		REV.	
FINISH		D-1A-PDP8M-2-C		DAD 7008714-0-0	
		SCALE NONE		DIST. ✓	
		SHEET 1 OF 1			

REV.	CHG. NO.	REV.
1	7008714-00001	A
2	7008714-00002	B
3	7008714-00003	C
4	7008714-00004	D
5	7008714-00005	E
6	7008714-00006	F
7	7008714-00007	G
8	7008714-00008	H

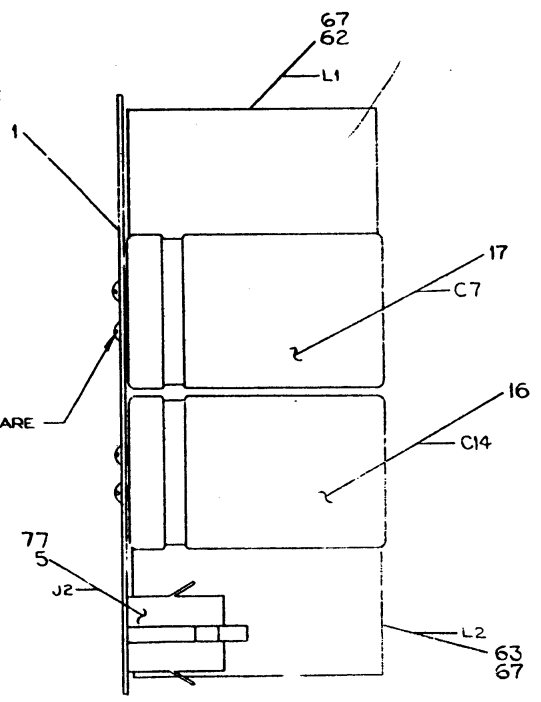
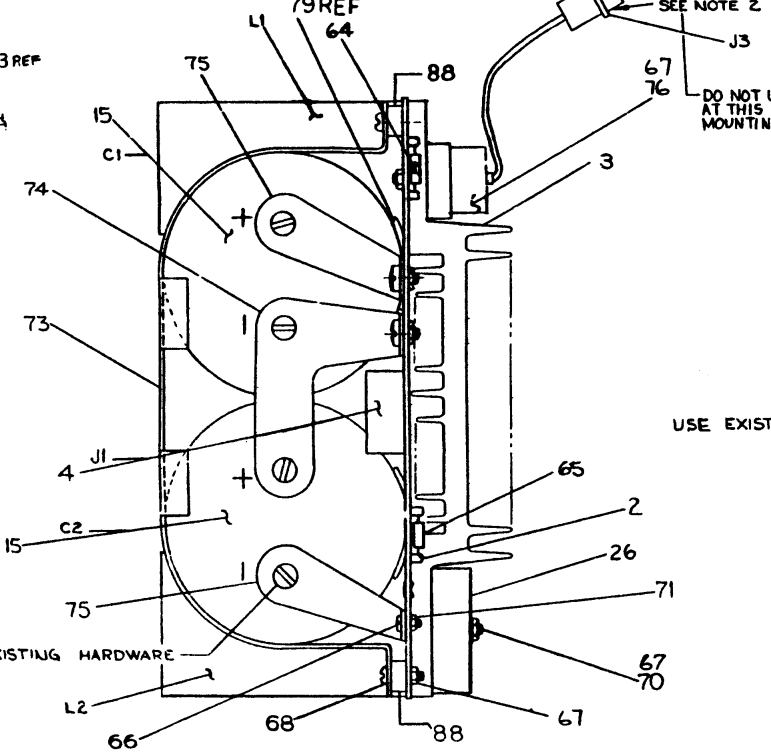
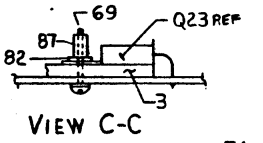
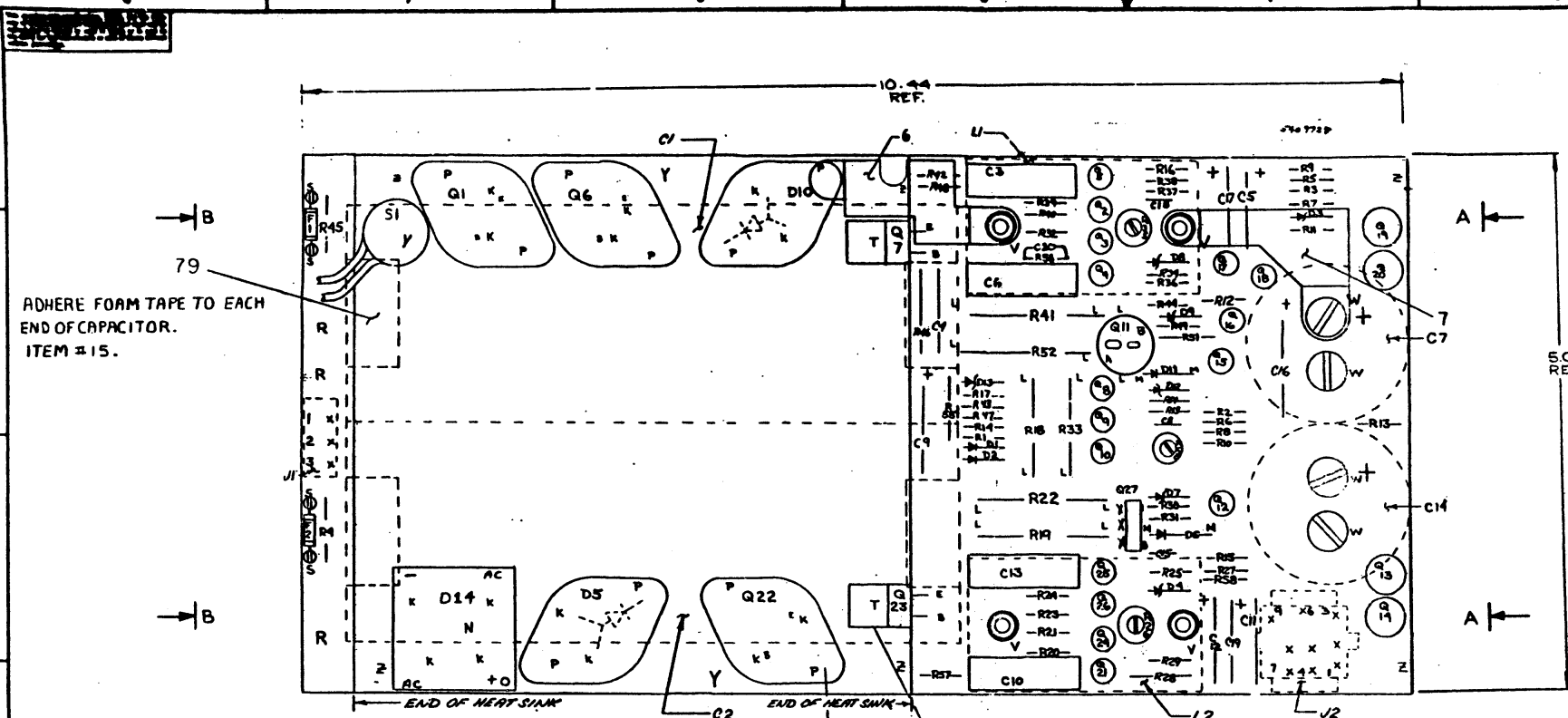


This drawing and specifications, herein, are the property of Digital Equipment Corporation and shall not be reproduced or copied or used in whole or in part as the basis for the manufacture or sale of items without written permission.



UNLESS OTHERWISE INDICATED:  
 1% RESISTORS ARE 1/8W  
 TRANSISTORS - XA55  
 VOLTAGES ARE TAKEN AT NO LOAD WITH 115 VAC LINE  
 VOLTAGES ARE ±10% TAKEN BY A ≥ 10K<sub>V</sub> METER

QTY	REF DESIGNATION	DESCRIPTION	PART NO.	ITEM NO.														
PARTS LIST																		
	ETCH BOARD REV	B	C	D														
<table border="1"> <tr> <td>DRN. Roger J. Lawrence</td> <td>DATE 12-20-71</td> <td rowspan="6">                  DIGITAL EQUIPMENT CORPORATION                  MAYNARD, MASSACHUSETTS             </td> <td rowspan="6">                 TITLE                  REGULATOR BOARD FOR H740             </td> </tr> <tr> <td>CHK'D. J. H. Moore</td> <td>DATE 12-21-71</td> </tr> <tr> <td>ENG. R. H. Moore</td> <td>DATE 12-28-71</td> </tr> <tr> <td>PROJ. ENG. R. H. Moore</td> <td>DATE 12-28-71</td> </tr> <tr> <td>PROD. R. H. Moore</td> <td>DATE 12-28-71</td> </tr> <tr> <td>REV. R. H. Moore</td> <td>DATE 12-28-71</td> </tr> </table>					DRN. Roger J. Lawrence	DATE 12-20-71	DIGITAL EQUIPMENT CORPORATION MAYNARD, MASSACHUSETTS	TITLE REGULATOR BOARD FOR H740	CHK'D. J. H. Moore	DATE 12-21-71	ENG. R. H. Moore	DATE 12-28-71	PROJ. ENG. R. H. Moore	DATE 12-28-71	PROD. R. H. Moore	DATE 12-28-71	REV. R. H. Moore	DATE 12-28-71
DRN. Roger J. Lawrence	DATE 12-20-71	DIGITAL EQUIPMENT CORPORATION MAYNARD, MASSACHUSETTS	TITLE REGULATOR BOARD FOR H740															
CHK'D. J. H. Moore	DATE 12-21-71																	
ENG. R. H. Moore	DATE 12-28-71																	
PROJ. ENG. R. H. Moore	DATE 12-28-71																	
PROD. R. H. Moore	DATE 12-28-71																	
REV. R. H. Moore	DATE 12-28-71																	
NEXT HIGHER ASSY			SIZE CODE DCS	NUMBER 5409728-0-1														
SEMICONDUCTOR CONVERSION CHART			REV. F															
DEC. NO.	EIA NO.	DEC. NO.	EIA NO.	SCALE SHEET 1 OF 1														



- NOTES:
1. APPLY ITEM #8 (THERMAL COMPOUND) BETWEEN TRANSISTOR AND HEAT SINK FOR Q1, Q6, Q7, Q22, Q23 DS D10, D14 & S1.
  2. TRIM LEADS ON ITEM #76 (THERMOSTAT) TO (5) INCHES AND ATTACH ITEM #84 (PIN9) AND ITEM #83 (HOUSING) AS SHOWN.
  3. APPLY FLAT WASHER ITEM #72 BETWEEN SCR. HD. AND ETCHED BOARD WHEN MOUNTING COMPONENTS Q1, Q6, Q22, DS + D10.

QTY	REF DESIGNATION	DESCRIPTION	PART NO.	ITEM NO.	QTY	REF DESIGNATION	DESCRIPTION	PART NO.	ITEM NO.
1	Q1	SPACER #4-10X1/2X1/8 LG	9008496	68	2	R24, R47	RES 68K 1/4W 5%	1501327	38
1	R1, R13	XSTR C32X133	1510778	23	5	R20, R19, R40, R41, R42, R43	RES 10 1/4W 5%	1501317	37
1	J3	RES 470 1/4W 5%	1500816	53	3	R38, R43, R57	RES 10K 1/4W 5%	1500419	36
1	D2	MATE-M-LOCK CONNECTOR	1209378-01	81	4	R28, R46, R4, R45	RES 4.7K 1/2W 5%	1500445	35
1	C12, C19	WASHER, LOCK #4 INT. TOOTH	1210222-02	82	1	R55	RES 8.7K 1/2W 5%	1500425	34
1	Q22	DIODE, ZENER, 3.7V, 2%	1111205	82	1	R19	RES .05 5W 5% WW	1310376-02	33
1	D14	CAP 2.2UF 35V 10% STANT	1002431	80	2	R29, R37	RES 1K 1/4W 5%	1500365	32
1	R39, R40	1" LG FOAM TAPE	9004087-1	79	3	R44, R48, R50	RES 330 1/4W 5%	1500295	31
2	S1	RES 5.1 1/4W 5%	1309422	78	1	R18	RES 100, 5W, 5%	1500229	30
1	C3	PIN FEMALE	1209436	77	1	D7	DIODE 1N5248B 15V ZENER	1110266	28
1	C4	THERMOSTAT SPS	1210824	76	1	D5, D10	DIODE 20AMP FAST RECOVERY RECT	1110715	27
1	C5	CONTACT, CAPACITOR	C-MD-5309781-0-075	75	1	D14	DIODE BRIDGE RECTIFIER	1110714	26
1	C6	CONTACT, COMMON CAPACITOR	C-MD-5309779-0-074	74	1	D3	DIODE 5.1V ZENER	1110925	25
1	C7	HOLDER, CAPACITOR	C-1A-5310126-0-073	73	2	D6, D11	DIODE 1N5624	1110420	24
1	C8	WASHER, #5 FLAT	9006558	72	2	D4, D6	DIODE 1N4004	1108794	23
1	C9	NUT, KEPS 4-40	9008557	71	2	D9	DIODE 1N753A 6.2V ZENER	1102421	22
1	C10	SCR, PHL PAN, HD 6-32-3/8 LG	9006024-1	70	1	D13	DIODE 1N758A 3.9V ZENER	1101938	21
1	C11	SCR, PHL PAN, HD 4-40X 5/8 LG	9006014-1	69	1	D15	DIODE 1N748A 3.9V ZENER	1100122	20
1	C12	SCR, PHL HD 6-32 X 9/16 LG	9007793-1	68	1	C18	CAP 1000PF, 100V, DM	1006042	19
1	C13	NUT KEPS #6-32 X 1/4	9008183	67	1	C9	CAP 6000 MF 10V 10% STANT	1010709	18
3	C14	SCR, PHL PAN, HD 4-40X 3/8 LG	9006024-1	66	1	C7	CAP 3000 MF 25V 10% STANT	1010703	17
1	F2	FUSE 10AMP, PICO	1210929	65	2	C14	CAP 24000 MF 50V 10% STANT	1010702	16
1	F1	FUSE 15AMP, PICO	1210929	64	1	C16	CAP 100MF, 20V, 5 TANT	1004819	14
1	L2	CHOKO, 100MH 10A MMS 4443	1611031	63	4	C13, C6, C10, C13	CAP 1UF 103V 10%	1010332	13
1	L1	CHOKO, 100MH 20A MMS 4289	1610717	62	2	C8, C15	CAP 6.8UF 35V 10%	1002306	12
1	Q27	XSTR MAC 11-3	1510765	61	2	C9, C17	CAPACITOR .033UF 100V 10% MRLR	1000055	11
1	Q1	XSTR MJ2500	1511282	60	2	C4, C11	CAP 2200PF 250V (CER)	1000055	10
2	Q7, Q23	XSTR D45 HB/D	1610706-2	59	1	L20	THERMAL COMPOUND	9008248	9
10	Q2, Q3, Q5, Q6, Q9, Q15, Q16, Q17, Q18, Q24, Q25	XSTR XA85	1510705	58	1	A7	#2 THERMAL STRAP	C-MD-5310991-1	7
6	Q4, Q22	XSTR ZN4302	1510196	56	1	A8	#1 THERMAL STRAP	C-MD-5310991-1	6
2	Q14, Q19	XSTR ZN1309	1510311	55	1	J1	J2 MATE-M-LOCK CONNECTOR	1209350-01	5
2	Q13, Q20	TRANSISTOR 2N1308	1500583	54	1	J1	J1 MATE-M-LOCK CONNECTOR	1213494-02	4
1	R41	RES .05 5W 5%	1510709-2	53	1	J1	HEAT SINK	1213494	3
1	R56	RES 680, 1/4W, 5%	1310424	52	1	J1	SPLIT LUG	9006733	2
1	R22	RES .2 3W 5%	1310864	51	1	J1	ETCHED BOARD	9007211	1
3	R26, R35, R50	POT, 100, 1/2W 20%, 62 PR	1310150-05	50	1	J1	MODULE ECO HISTORY	C-MD-5310991-1	0
1	R52	RES .1 5W, 5% WW	13105872	49	1	J1	X-Y COORDINATE HOLE LOC	C-MD-5310991-1	0
1	R53	RES .39 2W 5% WW	1310869	48	1	J1	CIRCUIT SCHEMATIC	C-MD-5310991-1	0
1	R10	RES .15K 1/8W 1% MF	1310522	47	1	J1			
2	R25, R34	RES 500, 1/8W, 1% MF	13105125	46	1	J1			
1	R2, R3, R6, R11, R12, R3	RES 10K, 1/8W, 1% MF	13103312	45	1	J1			
4	R8, R1, R14	RES 1K, 1/8W, 1% MF	13103114	44	1	J1			
2	R27, R38	RES 400, 1/8W, 1% MF	13103047	43	1	J1			
1	R51	RES 100, 3/8W, PTC	1310927-1	42	1	J1			
1	R49	RES 1M, 1/8W, 1% MF	1310874	41	1	J1			
2	R1	SPACER #32X1/8 AFX 3/8 LG	9006857	40	1	J1			
					2	J1			
					3	J1			
					4	J1			
					5	J1			
					6	J1			
					7	J1			
					8	J1			
					9	J1			
					10	J1			
					11	J1			
					12	J1			
					13	J1			
					14	J1			
					15	J1			
					16	J1			
					17	J1			
					18	J1			
					19	J1			
					20	J1			

C TYPE		CHD	05W
REV		NO	0000
MFG		NO	0000
FRONT		PT	
TO PT			
C PIN LOCATIONS			
Jumper List			



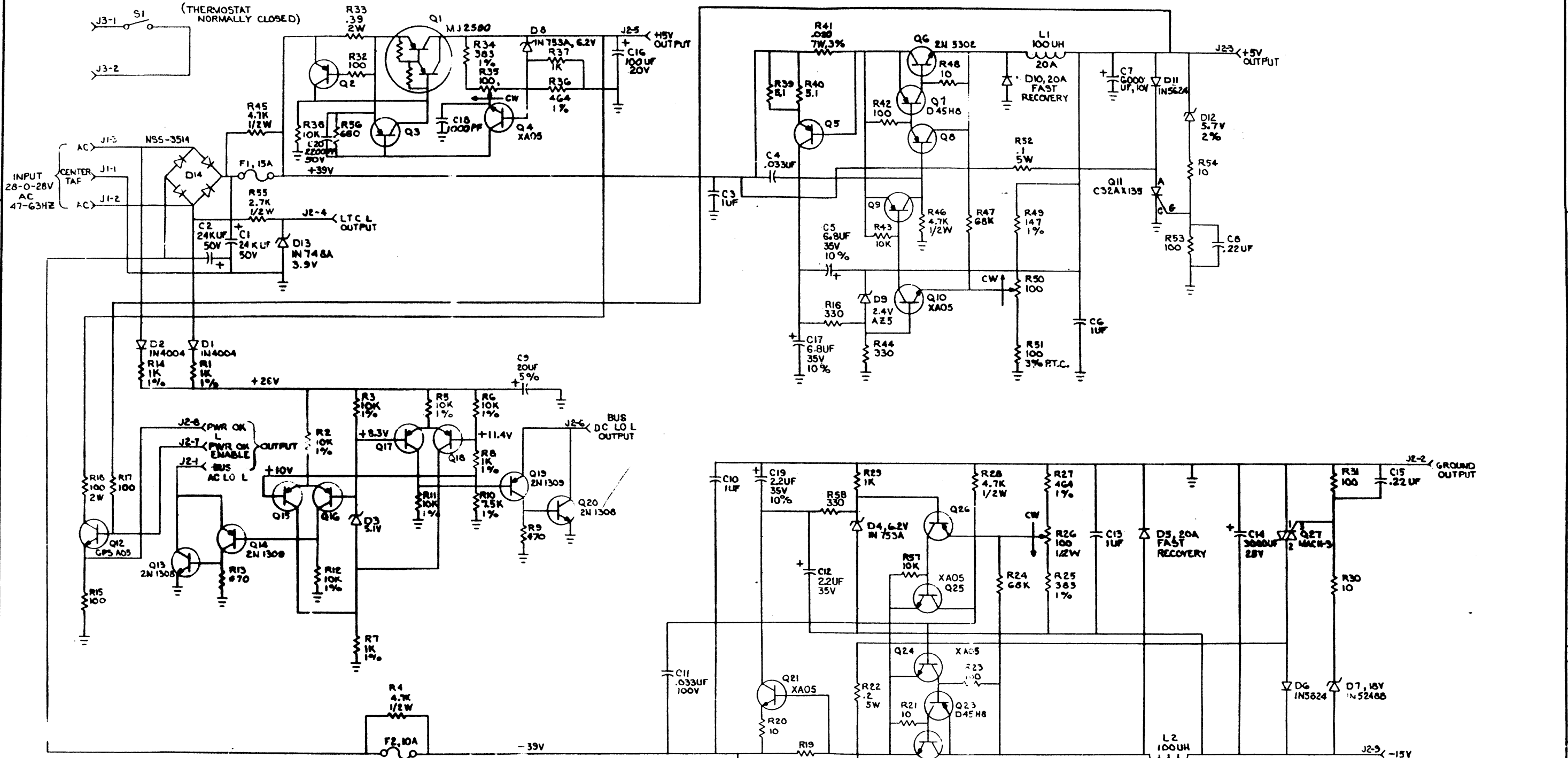

5409782-0-0				A-PI-37009450-433	
MANUFACTURING SIMPLIFICATION				A-SP-5409782-0-813	
ASSEMBLY PROCEDURE				A-SP-5409782-0-811	
INSPECTION PROCEDURE				A-SP-5409782-0-810	
MANUFACTURING TEST PROCEDURE				A-SP-5409782-0-809	

11/05		REVISION	
REV	DESCRIPTION	REV	DESCRIPTION
1		1	
2		2	
3		3	
4		4	
5		5	
6		6	
7		7	
8		8	
9		9	
10		10	

EQUIPMENT CORPORATION	
REGULATOR BOARD	
C-MD-5310991-1-0	
REV 2/1	
DATE 11/05	
BY 11/05	
CHECKED 11/05	
DESIGNED 11/05	
DRAWN 11/05	



The drawing and specifications herein, are the property of Digital Equipment Corporation and shall not be reproduced or copied or used in whole or in part in the manufacture or sale of items without written permission.



UNLESS OTHERWISE INDICATED:  
 1% RESISTORS ARE 1/8W  
 VOLTAGES ARE TAKEN AT NO LOAD WITH 115 VAC LINE  
 VOLTAGES ARE ±10% TAKEN BY A ±10KΩ METER  
 TRANSISTORS - XA55

REV	DATE	BY	CHK
1	12-20-70	R. WOLF	R. WOLF
2	12-21-70	R. WOLF	R. WOLF
3	12-21-70	R. WOLF	R. WOLF
4	12-21-70	R. WOLF	R. WOLF
5	12-21-70	R. WOLF	R. WOLF
6	12-21-70	R. WOLF	R. WOLF
7	12-21-70	R. WOLF	R. WOLF
8	12-21-70	R. WOLF	R. WOLF
9	12-21-70	R. WOLF	R. WOLF
10	12-21-70	R. WOLF	R. WOLF
11	12-21-70	R. WOLF	R. WOLF
12	12-21-70	R. WOLF	R. WOLF
13	12-21-70	R. WOLF	R. WOLF
14	12-21-70	R. WOLF	R. WOLF
15	12-21-70	R. WOLF	R. WOLF
16	12-21-70	R. WOLF	R. WOLF
17	12-21-70	R. WOLF	R. WOLF
18	12-21-70	R. WOLF	R. WOLF
19	12-21-70	R. WOLF	R. WOLF
20	12-21-70	R. WOLF	R. WOLF
21	12-21-70	R. WOLF	R. WOLF
22	12-21-70	R. WOLF	R. WOLF
23	12-21-70	R. WOLF	R. WOLF
24	12-21-70	R. WOLF	R. WOLF
25	12-21-70	R. WOLF	R. WOLF
26	12-21-70	R. WOLF	R. WOLF
27	12-21-70	R. WOLF	R. WOLF
28	12-21-70	R. WOLF	R. WOLF
29	12-21-70	R. WOLF	R. WOLF
30	12-21-70	R. WOLF	R. WOLF
31	12-21-70	R. WOLF	R. WOLF
32	12-21-70	R. WOLF	R. WOLF
33	12-21-70	R. WOLF	R. WOLF
34	12-21-70	R. WOLF	R. WOLF
35	12-21-70	R. WOLF	R. WOLF
36	12-21-70	R. WOLF	R. WOLF
37	12-21-70	R. WOLF	R. WOLF
38	12-21-70	R. WOLF	R. WOLF
39	12-21-70	R. WOLF	R. WOLF
40	12-21-70	R. WOLF	R. WOLF
41	12-21-70	R. WOLF	R. WOLF
42	12-21-70	R. WOLF	R. WOLF
43	12-21-70	R. WOLF	R. WOLF
44	12-21-70	R. WOLF	R. WOLF
45	12-21-70	R. WOLF	R. WOLF
46	12-21-70	R. WOLF	R. WOLF
47	12-21-70	R. WOLF	R. WOLF
48	12-21-70	R. WOLF	R. WOLF
49	12-21-70	R. WOLF	R. WOLF
50	12-21-70	R. WOLF	R. WOLF

QTY	REF DESIGNATION	DESCRIPTION	PART NO.	ITEM NO.
PARTS LIST				
ETCH BOARD REV E				
DRN. <i>R. WOLF</i>		DATE 12-20-70	digital EQUIPMENT CORPORATION MAYNARD MASSACHUSETTS TITLE REGULATOR BOARD FOR H74C SIZE CODE DCS NUMBER 5409728-0-1 REV P SHEET 1 OF 1	
CHKD. <i>R. WOLF</i>		DATE 12-21-70		
ENG. <i>R. WOLF</i>		DATE 12-21-70		
PROJ. ENGR. <i>R. WOLF</i>		DATE 12-21-70		
PROD. <i>R. WOLF</i>		DATE 12-21-70		
NEXT HIGHER ASSY				
SEMICONDUCTOR CONVERSION CHART				
DEC NO.	EIA NO.	DEC NO.	EIA NO.	SCALE