

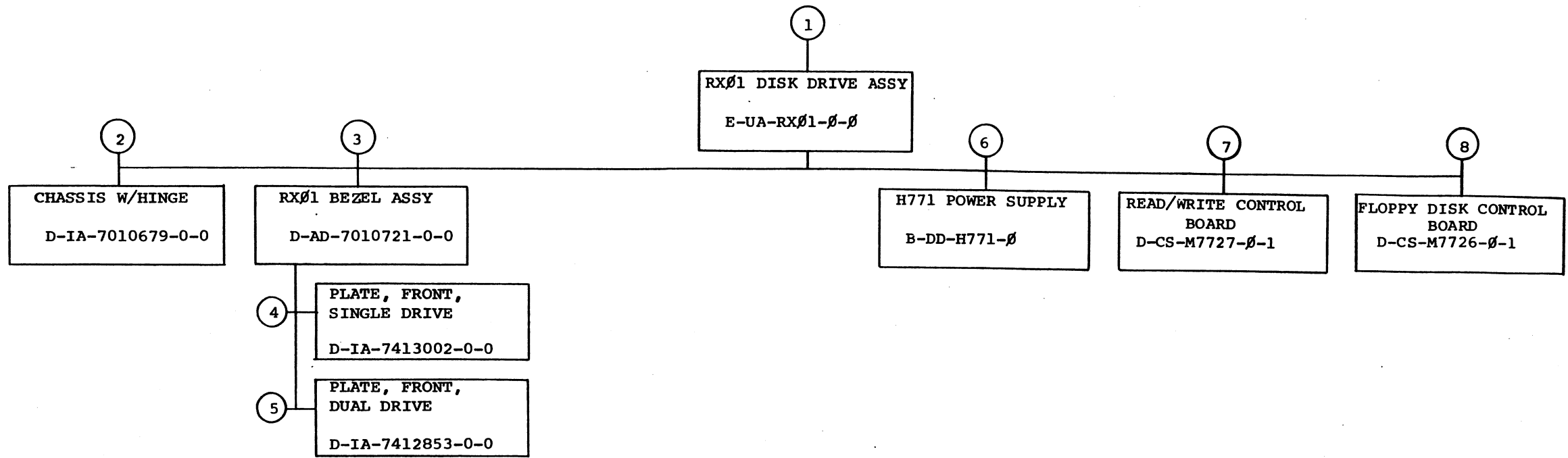


digital

RX01
Engineering Drawings
Digital Equipment Corporation

The material herein is for information purposes only and is subject to change without notice. Digital Equipment Corporation assumes no responsibility for any errors which may appear herein.

These drawings and specifications herein are the property of Digital Equipment Corporation and shall not be reproduced or copied or used in whole or in part as the basis for the manufacture or sale of items without written permission.
Copyright © 1975, Digital Equipment Corporation



TITLE	SHEET	OF	SIZE	CODE	NUMBER	REV
RX01 FLOPPY DISK DRIVE	SHEET 2	OF 3	B	DD	RX01-0	

CUSTOMER PRINT SET		MECHANICAL					CUSTOMER PRINT SET		ELECTRICAL								
		MFG. SET	FIND NO.	DRAWING NO.	REV	NO OF SHT	DESCRIPTION	OPTION NO./FILE DATE			MFG. SET	FIND NO.	DRAWING NO.	REV	NO OF SHT	DESCRIPTION	OPTION NO./FILE DATE
			1	E-UA-RX01-0-0		5	RX01 FLOPPY DISK DRIVE ASSY		X			1	B-DD-RX01-0	#	3	RX01 FLOPPY DISK DRIVE	
				A-PL-RX01-0-0		2	RX01 FLOPPY DISK DRIVE ASSY(PI)						A-PI-3700185-0-0		2	PACKAGING INSTRUCTIONS	
				E-IA-7412666-0-0		1	COVER, TOP						A-PI-3700193-0-0			CUST. PACKAGING INSTRUCTIONS	
				D-IA-7010646-0-0		1	CABLE, EXTENSION, RX01										
				C-IA-7008612-0-0		1	CABLE, KEYBOARD										
				D-UA-BC05L-0-0		1	CABLE, JUMPER										
				D-IA-7010696-0-0		1	HARNESS, VOLTAGE VARIATION										
				C-MD-7413350-0-0		1	BRACKET, SHIPPING, RX01										
				C-MD-7409479-0-0		1	PLATE, PRESSURE										
				C-MD-5509081-0-0		1	PANEL, LIGHT (RX01)										
			2	D-IA-7010679-0-0		1	CHASSIS W/HINGE										
				E-IA-7412665-0-0		1	CHASSIS, FLEXIBLE DISK DRIVE										
				C-MD-7413236-0-0		1	HINGE, LOGIC										
			3	D-AD-7010721-0-0		1	RX01 BEZEL ASSY		X		7	D-CS-M7727-0-1	*	6	READ/WRITE CONTROL BOARD		
				E-MD-7412664-0-0		1	BEZEL, RX01					D-IA-5011370-0-0		1	ETCHED CIRCUIT BOARD (M7727)		
				A-DC-7413429-0-0		1	LOGO, RX01										
			4	D-IA-7413002-0-0		1	PLATE, FRONT, SINGLE DRIVE		X		8	D-CS-M7726-0-1	#	9	FLOPPY DISK CONTROL BOARD		
				C-SS-7413002-0-1		1	SILK SCREEN, SINGLE DRIVE					A-SP-M7726-0-7		3	ACCEPTANCE TEST PROCEDURE		
			5	D-IA-7412853-0-0		1	PLATE, FRONT, DUAL DRIVES										
				C-SS-7412853-0-1		1	SILK SCREEN, DUAL DRIVE										
C			6	B-DD-H771-0	*	3	H771 POWER SUPPLY										

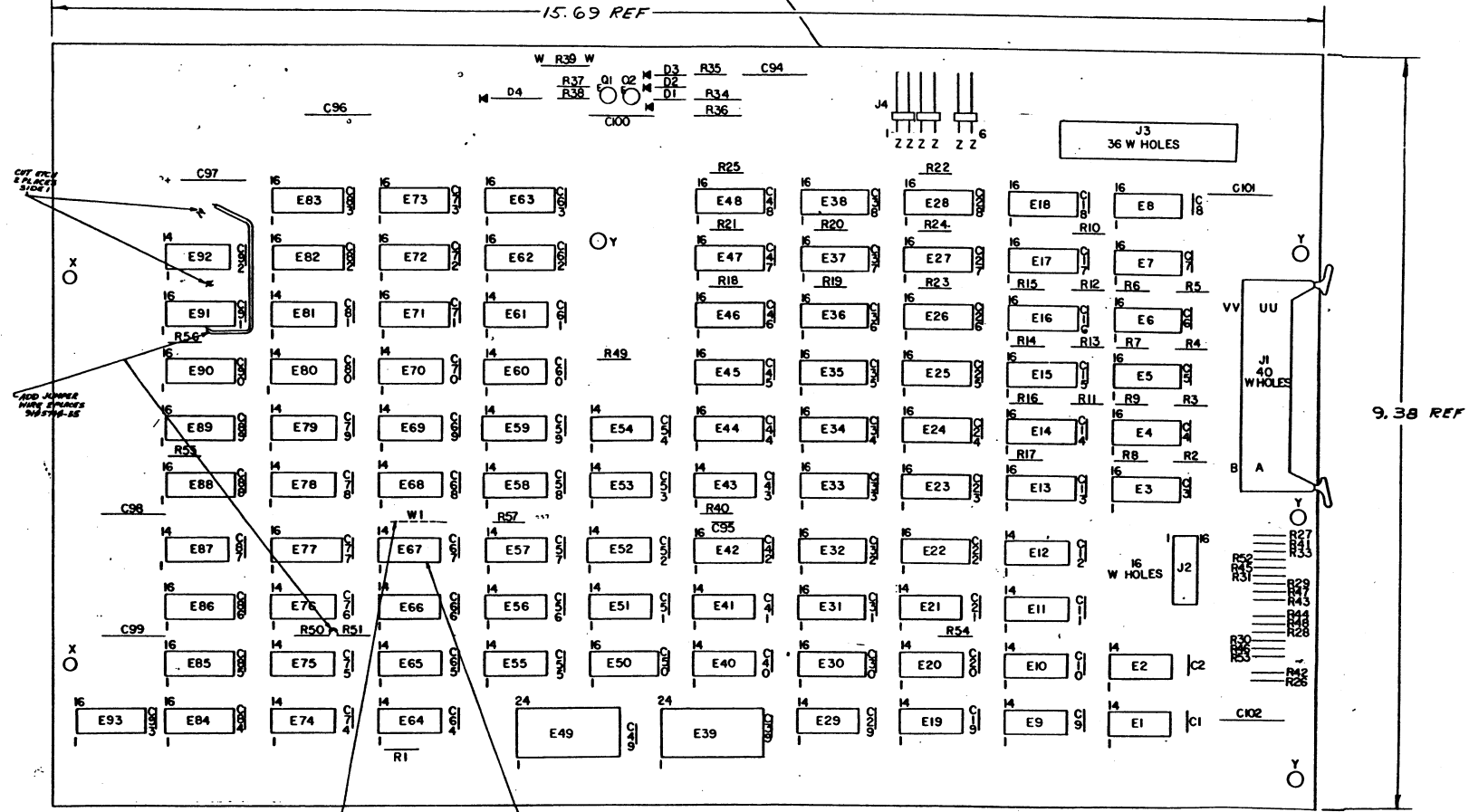
CUSTOMER PRINT SET CODES
X = PRINT OF DOCUMENT INCLUDED IN PRINT SET
C = INCLUDES ALL PRINTS INDICATED ON DOCUMENT
S = CONFIDENTIAL AUTHORIZED SIGNATURE REQUIRED

TITLE
RX01 FLOPPY DISK DRIVE
SHEET 3 OF 3
SIZE CODE B DD
NUMBER RX01-0
REV

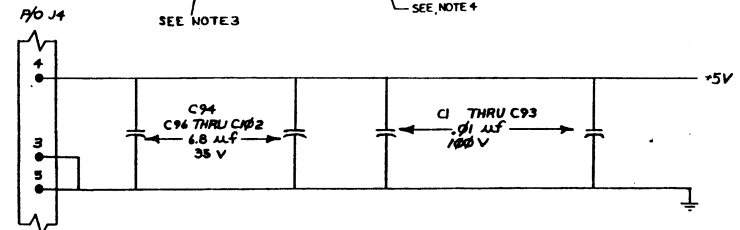
"THIS DRAWING AND SPECIFICATIONS, HEREIN, ARE THE PROPERTY OF DIGITAL EQUIPMENT CORPORATION AND SHALL NOT BE REPRODUCED OR COPIED OR USED IN WHOLE OR IN PART AS THE BASIS FOR THE MANUFACTURE OR SALE OF ITEMS WITHOUT WRITTEN PERMISSION.
COPYRIGHT © 1974 DIGITAL EQUIPMENT CORPORATION"

NOTES:

1. \odot REPRESENTS A 1/8 DIA PAD LOCATED ON SIDE 2 UNLESS OTHERWISE SPECIFIED
2. A. ALL RESISTORS ARE 1/4W, $\pm 5\%$
B. ALL UNUSED PINS FOR J1 ARE TIED TO GND
3. INSTALL JUMPER W1 AFTER MODULE TEST
4. MOUNT E67 1/4" ABOVE SURFACE OF MODULE



23-XXA2	8	16
2102	9	10
8640	1	8
74175	8	16
74174	8	16
74161	8	16
74194	8	16
74123	8	16
74H103	11	4
74H106	13	5
7489	8	16
74150	12	24
7442	8	16
8266	8	16
74193	8	16
74154	12	24
IC TYPE	GND	+5V



GND AND 5V ARE USUALLY PIN 7 AND 14 RESPECTIVELY EXCEPTIONS ARE STATED ABOVE
IC PIN LOCATIONS

REVISED BY: P. KOTSCHENTHER
DATE: 2-11-75
M7726-00002 C
M7726-00001 B
M7726-00001 B

FIRST USED ON OPTION MODEL M7726		QTY	REF. DESIGNATION	DESCRIPTION	PART NO.	ITEM NO.
PARTS LIST						
ETCH BOARD REV. B						
DATE: 11/27/74		digital				
DATE: 11/27/75		TITLE FLOPPY DISK CONTROLLER				
DATE: 11/12/75		SCALE: 1 OF 9				
DATE: 11/27/75		REV. C				
DATE: 11/27/75		DST. M7726-0-1				
SEMICONDUCTOR CONVERSION CHART						

DRAWN BY: P. KOTSCHENTHER
DATE: 2-11-75
M7726-0-1

THIS DRAWING AND SPECIFICATIONS HEREIN ARE THE PROPERTY OF DIGITAL EQUIPMENT CORPORATION AND SHALL NOT BE REPRODUCED OR COPIED OR USED IN WHOLE OR IN PART AS THE BASIS FOR THE MANUFACTURE OR SALE OF ITEMS WITHOUT WRITTEN PERMISSION. COPYRIGHT © 1978 DIGITAL EQUIPMENT CORPORATION.

PARTS LIST

QTY	REF DESIGNATION	DESCRIPTION	PART NO	ITEM
REF		X-Y COORDINATE HOLE LOCATION	K-50-M7726-0-4	1
REF		ASSY/DRILLING HOLE LAYOUT	D-44-M7726-0-5	2
REF		MODULE ECO HISTORY	B-M-H-M7726-0-6	3
1		ETCHED CIRCUIT BOARD	5011390	4
1	J3	RECEP 36 PIN (BEWORK)	B-M-D-5509 07-1	5
13	J2, E3, E4, E5, E6, E7, E8, E9, E10, E11, E12, E13, E14, E15, E16, E17, E18	I.C. SOCKET, 16 PIN GOLD, LOW PROFILE	1211813-02	6
1	R37	RES 10K 1/4W 5% CC	1300479-00	7
3	C 99, C96 - C102	CAP 6.8 uF 35V 10% STANT	1005306-00	8
93	C1 - C93	CAP .01 uF 50V AXIAL CER	1001610-00	9
1	C95	CAP 12 PF 100V 5%	1002087-00	10
3	D1 - D3	DIODE 1N4004	1105796-00	11
1	D4	DIODE 1N746A 3.3V 5%	1104860-00	12
1	E 39	RES 100 1/2W 5% C.C	1300228-00	13
1	J4	HEADER, 2 PIN (MALE)	122204-00	14
8	R2, R4, R6, R8, R10, R12, R14, R16	RES 470 1/4W 5% CC	1300316-00	15
8	R27, R29, R31, R47, R52, R43, R41, R45	RES 390 1/4W 5% CC	1300309-00	16
5	R1, R49 - R51, R57	RES 3K 1/4W 5% CC	1300932-00	17
9	R22, R28, R30, R38, R42, R44, R46, R48, R53	RES 150 1/4W 5% CC	1301322-00	18
8	R3, R5, R7, R9, R11, R13, R15, R17	RES 820 1/4W 5% CC	1301775-00	19
1	R35	RES 300 1/4W 5% CC	1301925-00	20
1	R18 - R25	RES .2K 1/4W 5% CC	1302388-00	21
1	R34	RES 261 1/4W 1% MF	1302873-00	22
1	R36	RES 287 1/4W 1% MF	1305124-00	23
1	R40	RES 8.2K 1/4W 5% CC	1303179-00	24
3	R54 - R56	RES 1K 1/4W 5% CC	1300365-00	25
1	Q2	TRANS MXA805	1510705-00	26
1	Q1	TRANS MXA855	1510706-00	27
5	E19, E20, E21, E29, E40	I.C. 7474	1905547-00	28
3	E9, E57, E59	I.C. 7400	1905575-00	29
2	E93, E60	I.C. 7410	1905576-00	30
1	E75	I.C. 7450	1905580-00	31
1	E55	I.C. 74H20	1905635-00	32
1	E54	I.C. 7402	1509004-00	33
2	E68, E72	I.C. 74H00	1909056-00	34
2	E56, E70	I.C. 74H11	1909267-00	35
5	E50, E69, E78, E79, E82	I.C. 74H74	1909667-00	36
2	E64, E76	I.C. 7404	1909686-00	37
1	E39	IC 74154	1909701-00	38
2	E1, E2	I.C. 8881	1909705-00	39
1	E61	I.C. 74H04	1909931-00	40
2	E74, E92	I.C. 7486	1910011-00	41
4	E88, E89, E90, E91	I.C. 74193	1910018-00	42
2	E27, E37	I.C. 8266	1909934-00	43
1	E22	I.C. 7492	1910046-00	44
1	E65	I.C. 7437	1910091-00	45
1	E49	I.C. 74150	1910153-00	46
2	E11, E12	I.C. 7408	1910155-00	47
2	E47, E48	I.C. 7489	1910396-00	48
1	E50	I.C. 74H106	1910408-00	49
3	E80, E81, E87	I.C. 74H103	1910409-00	50
1	E42	I.C. 74123	1910436-00	51

PARTS LIST

REF DESIGNATION	DESCRIPTION	PART NO	ITEM
2	E45, E46	I.C. 74194	1910623-00 52
8	E23, E24, E25, E26, E30, E31, E32, E36	I.C. 7416	1910650-00 53
3	E84, E85, E86	I.C. 74174	1910652-00 54
1	E53	I.C. 7427	1910878-00 55
3	E28, E38, E44	I.C. 74175	1910651-00 56
2	E10, E66	I.C. 8640	1911069-00 57
1	E33	I.C. 2102	2111318-00 58
			59
6	E35, E39, E62, E63, E73, E83	SAME IC SPACES	60
1	E67	CRYSTAL OSCILLATOR 20MHZ	1811660-00 61
4	E41, E71, E93, E52	I.C. 74574	1910544-00 62
1	E51	I.C. 74H10	1909057-00 63
1	E77	I.C. 74H40	1905586-00 64
			65
NR	#30 AWG SOLID WIRE (YEL)	9108740-55	66
1	J1	CONN 40 PIN ET ANG HDR	1209941-02 67
1	(J1)	LATCH, LEFT FOR ET ANG HDE	1209941-03 68
1	(J1)	LATCH, RIGHT FOR ET ANG HDE	1209941-04 69
1	E13	I.C. 256 X 4 ROM FLD0L	23111A2 70
1	E3	I.C. 256 X 4 ROM FLD0H	23112A2 71
1	E14	I.C. 256 X 4 ROM FLD1L	23113A2 72
1	E4	I.C. 256 X 4 ROM FLD1H	23114A2 73
1	E15	I.C. 256 X 4 ROM FLD2L	23115A2 74
1	E5	I.C. 256 X 4 ROM FLD2H	23116A2 75
1	E16	I.C. 256 X 4 ROM FLD3L	23117A2 76
1	E6	I.C. 256 X 4 ROM FLD3H	23118A2 77
1	E17	I.C. 256 X 4 ROM FLD4L	23119A2 78
1	E7	I.C. 256 X 4 ROM FLD4H	23120A2 79
1	E18	I.C. 256 X 4 ROM FLD 5L	23121A2 80
1	E8	I.C. 256 X 4 ROM FLD 5H	23122A2 81
1	R33	RES 150 1/4W 5% CC	1300250-00 82

SAME I.C. GATES

TYPE	LOCATION	PINS	DESCRIPTION
74H04	E61	12	INVERTER
7404	E64	12, 13	INVERTER
7404	E76	12, 13	INVERTER
7408	E11	6, 3, 8, 9, 10	2 INPUT AND
74H00	E72	12, 3, 9, 6, 8, 10	2 INPUT NAND
7407	E65	8, 9, 10	2 INPUT NAND BUFFER
8881	E2	8, 9, 10	2 INPUT NAND G.C.
74H10	E51	3, 4, 5, 6	3 INPUT NAND
74H00	E77	1, 2, 4, 5, 6	3 INPUT NAND BUFFER
7402	E84	4, 5, 6	2 INPUT NOR
8640	E44	2, 6, 7, 14, 15, 3, 4, 5	2 INPUT NOR INVR
7427	E53	12, 13, 15	3 INPUT NOR
7406	E92	9, 5, 6	2 INPUT NOR
7406	E74	1, 2, 3, 9, 5, 6	2 INPUT NOR
74574	E73	1, 2, 3, 4, 5, 6	DTYPE FLIP FLOP
74H106	E50	6, 2, 3, 4, 14, 15, 16	J-K FLIP FLOP
74123	E42	12, 3, 4, 13, 14, 15	ONE SHOT

ALLOWABLE SUBSTITUTIONS

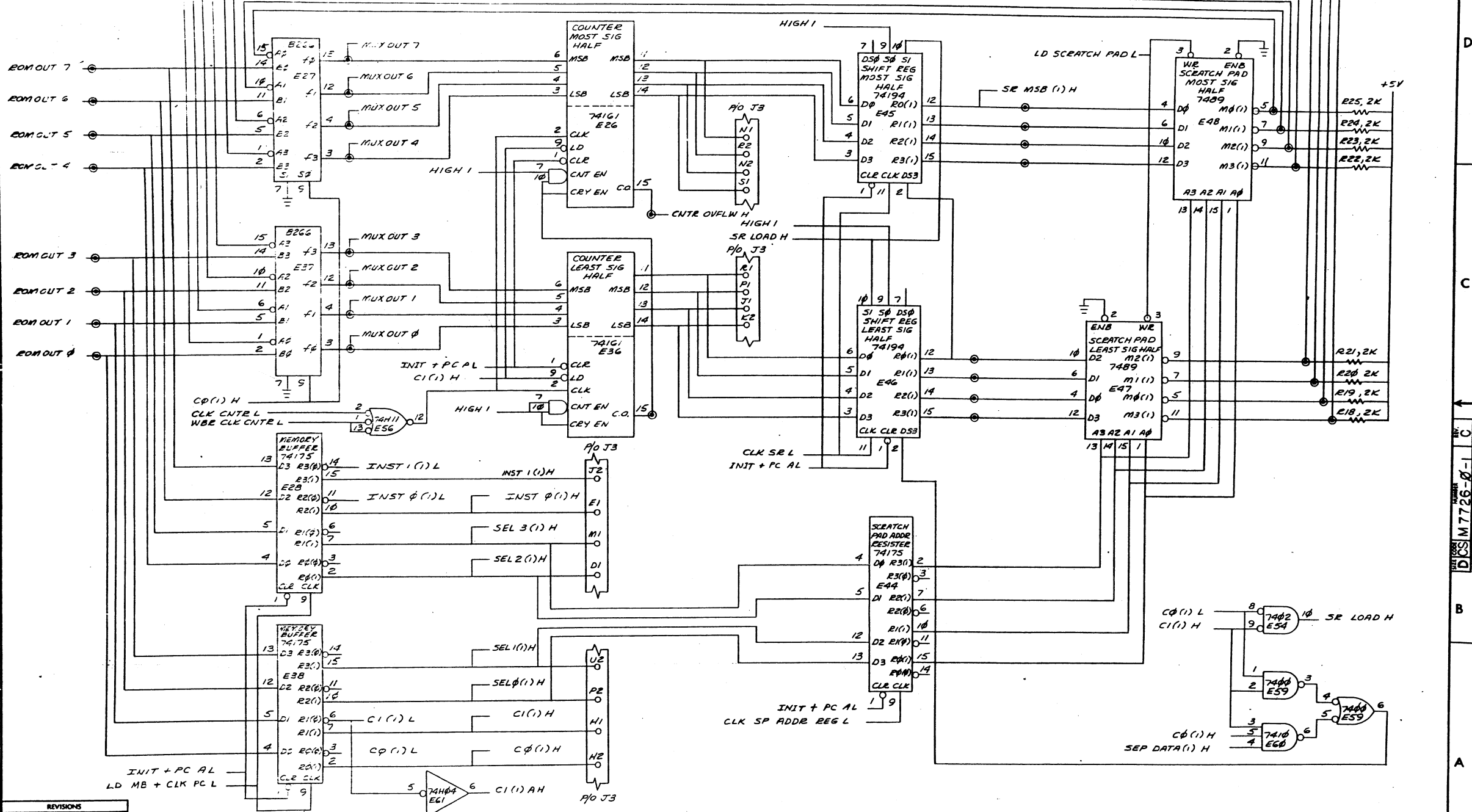
PREFERRED		REPLACEMENT	
TYPE	ITEM #	P.N.	P.N.
7489	48	1910396-00	3101A 1910653-00
7489	48	1910396-00	8225 1911162-00

REVISIONS

CHK	CHANGE NO	REV.

DCS M7726-0-1

THIS DRAWING AND SPECIFICATIONS HEREIN ARE THE PROPERTY OF DIGITAL EQUIPMENT CORPORATION AND SHALL NOT BE REPRODUCED OR COPIED OR LOANED IN WHOLE OR IN PART AS THE BASIS FOR THE MANUFACTURE OR SALE OF ITEMS WITHOUT WRITTEN PERMISSION. COPYRIGHT © 1974 DIGITAL EQUIPMENT CORPORATION.



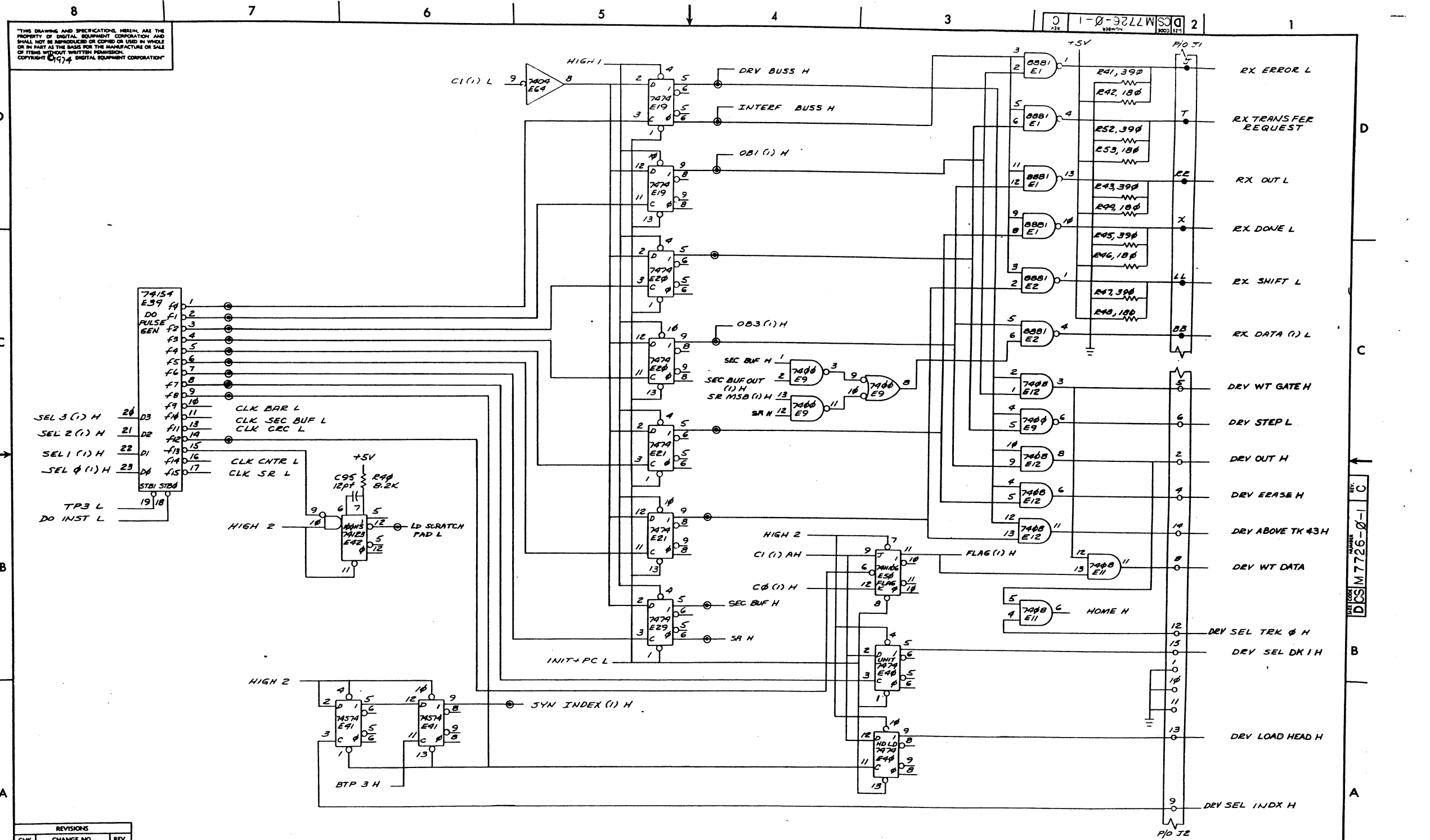
REVISIONS		
CHK	CHANGE NO.	REV.

TITLE	FLOPPY DISK CONTROLLER (D3)	SIZE CODE	DCS M7726-0-1	NUMBER		REV.	C
SCALE	SHEET 3 OF 9	DIST.					

DCS M7726-0-1 C

THIS DRAWING AND SPECIFICATIONS HEREIN ARE THE PROPERTY OF DIGITAL EQUIPMENT CORPORATION AND SHALL NOT BE REPRODUCED OR COPIED OR USED IN WHOLE OR IN PART AS THE BASIS FOR THE MANUFACTURE OR SALE OF ITEMS WITHOUT WRITTEN PERMISSION. COPYRIGHT © 1974 DIGITAL EQUIPMENT CORPORATION

DCS M7726-0-1

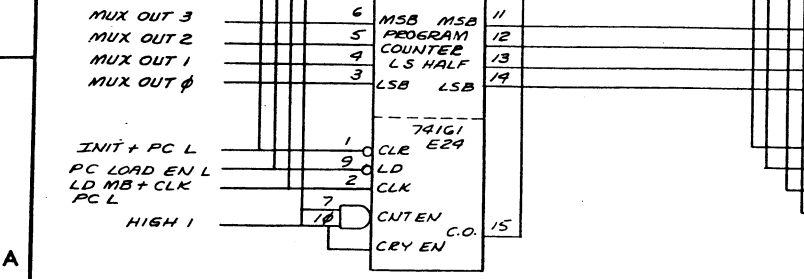
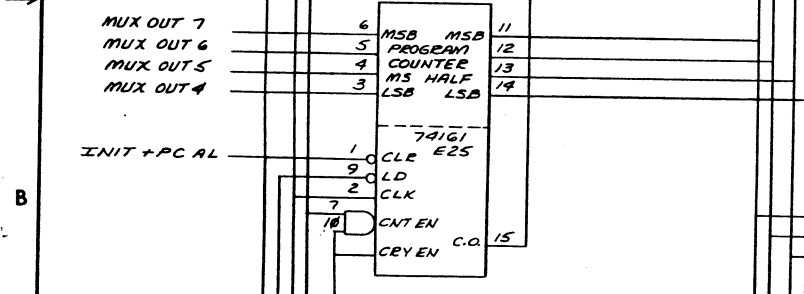
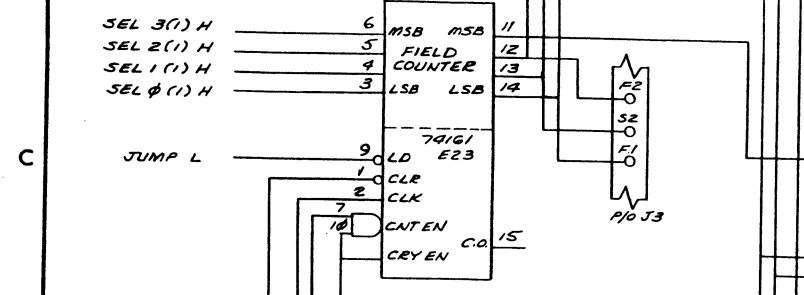
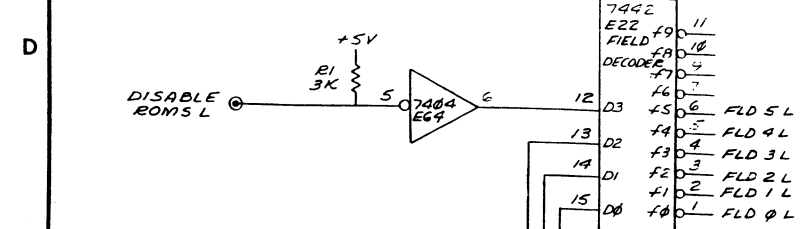


REVISIONS		
CHK	CHANGE NO.	REV.

THIS DRAWING AND SPECIFICATIONS HEREIN ARE THE PROPERTY OF DIGITAL EQUIPMENT CORPORATION AND SHALL NOT BE REPRODUCED OR COPIED OR USED IN WHOLE OR IN PART AS THE BASIS FOR THE MANUFACTURE OR SALE OF ITEMS WITHOUT WRITTEN PERMISSION. COPYRIGHT © 1974 DIGITAL EQUIPMENT CORPORATION

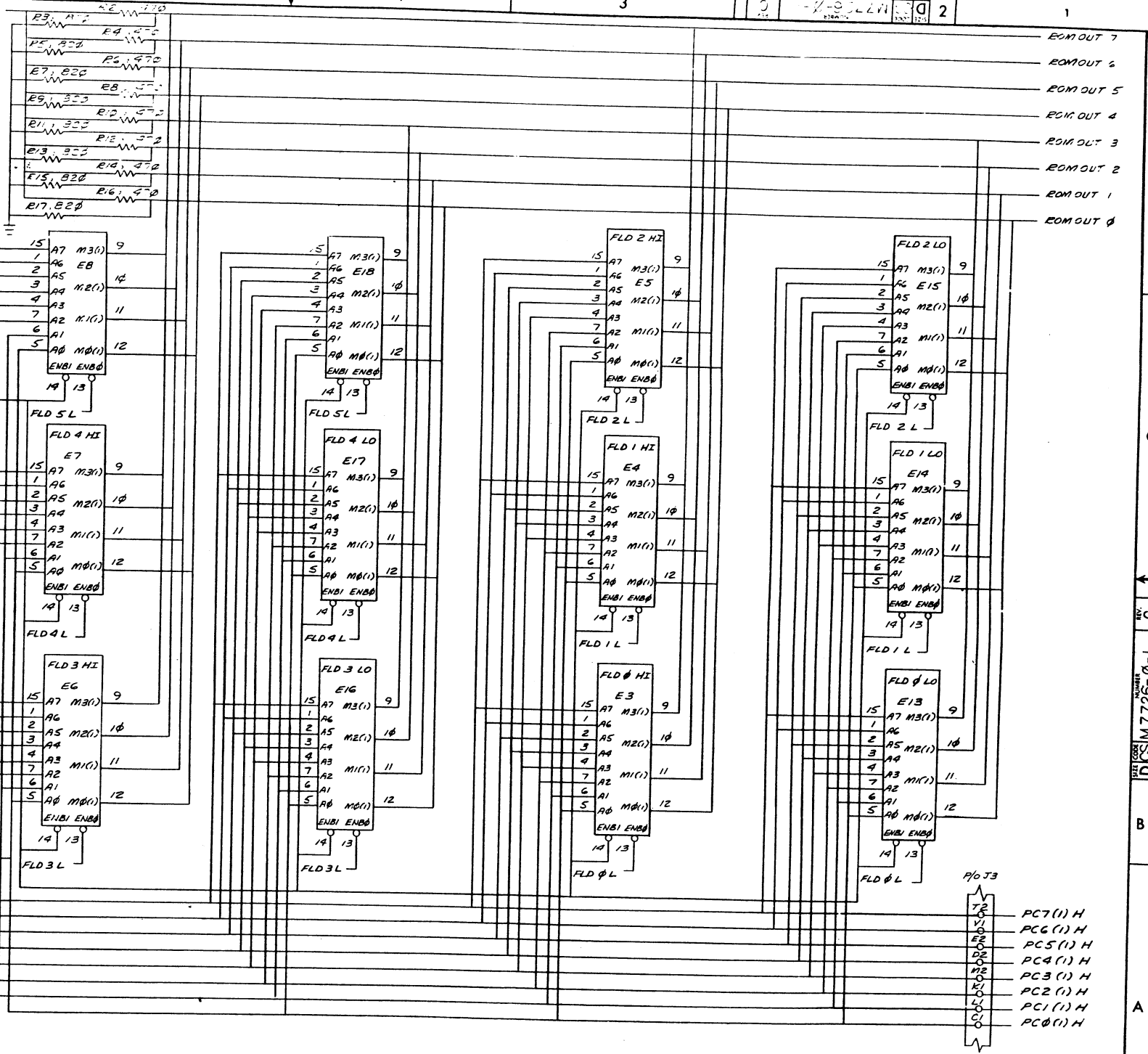
D
C
B
A

D
C
B
A

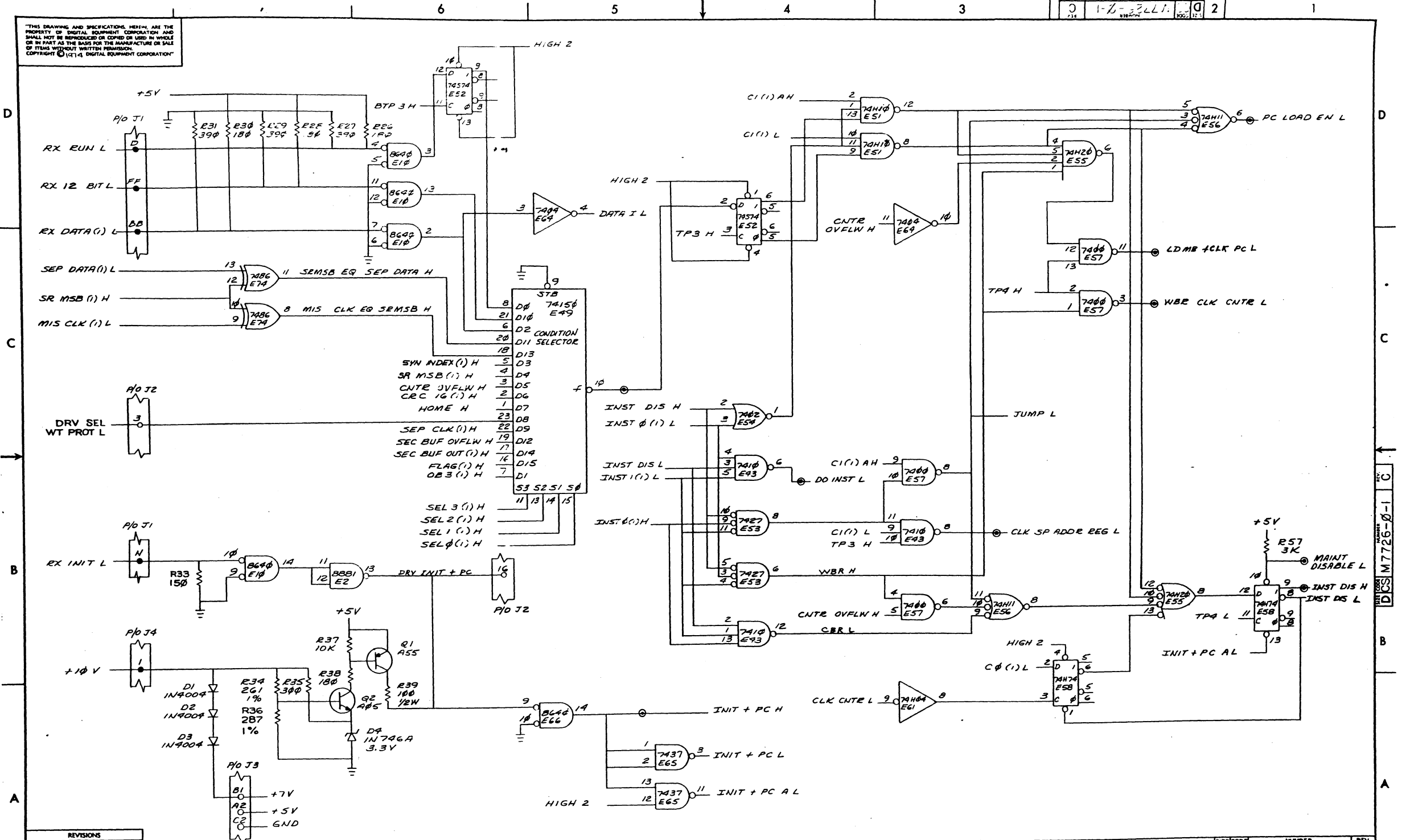


REVISIONS		
CHK	CHANGE NO.	REV.

8 7 6 5 4 3 2 1



THIS DRAWING AND SPECIFICATIONS HEREIN ARE THE PROPERTY OF DIGITAL EQUIPMENT CORPORATION AND SHALL NOT BE REPRODUCED OR COPIED OR USED IN WHOLE OR IN PART AS THE BASIS FOR THE MANUFACTURE OR SALE OF ITEMS WITHOUT WRITTEN PERMISSION. COPYRIGHT © 1974 DIGITAL EQUIPMENT CORPORATION



REVISIONS		
CHK	CHANGE NO.	REV.

TITLE		FLOPPY DISK CONTROLLER (DB)		SIZE CODE	NUMBER	REV.
SCALE		SHEET 8 OF 9		DIST.	DCS M7726-0-1	C

"THIS DRAWING AND SPECIFICATIONS HEREIN ARE THE PROPERTY OF DIGITAL EQUIPMENT CORPORATION AND SHALL NOT BE REPRODUCED OR COPIED OR USED IN WHOLE OR IN PART AS THE BASIS FOR THE MANUFACTURE OR SALE OF ITEMS WITHOUT WRITTEN PERMISSION. COPYRIGHT © 1974 DIGITAL EQUIPMENT CORPORATION"

THIS LIST GIVES THE SOURCE AND DESTINATIONS OF SIGNAL NAMES WITHIN THE M7726 PRINT SET. SIGNAL NAMES THAT DO NOT APPEAR ON THIS LIST ARE PRESENT FOR INFORMATION ONLY. THEY DO NOT INDICATE CONNECTIONS TO OTHER POINTS IN THE PRINT SET.

INTERFACE REFERS TO SIGNALS ON THE INTERFACE BUSS
 DRIVE REFERS TO SIGNALS ON THE DRIVE BUSS
 POWER SUPPLY REFERS TO VOLTAGES FROM THE POWER SUPPLY
 KN11 REFERS TO SIGNALS ON J1 THE MAINTENANCE CONNECTOR

SIGNAL NAME	ORIGIN	DESTINATION
BTP 3 H	D7-C1	D4-A5, D5-A6, D8-D6
CLK BAR L	D5-C7	D4-A3
CLK CNTR L	D5-B7	D3-B7, D8-A4
CLK CRC L	D5-C7	D7-B7
CHTR OVFLW H	D3-C5	D8-D4, D8-C6, D8-B4
CLK SEC BUF L	D5-C7	D4-B2
CLK SP ADDR REG L	D8-B3	D3-A4
CLK SR L	D5-B7	D3-B4
CORTIN L	KN11	D7-C7
CRC16 (1) H	D7-B1	D8-C6
CRC16 (1) L	D7-A1	D7-B7
C1 (1) AH	D3-A6	D4-B3, D5-B4, D8-D4, D8-C4
C1 (1) H	D3-A6	D3-C6, D3-B2, D7-B8
C1 (1) L	D3-A6	D5-D8, D7-B8, D8-D4, D8-B4
C0 (1) H	D3-A6	D3-C7, D3-A2, D4-B1, D5-B4, D7-B8
C0 (1) L	D3-A6	D3-B2, D4-B3, D7-B8, D8-B3
DATA 1 L	D8-D5	D4-A2
DISABLE ROMS L	TEST PAD	D8-D8
DO INST L	D8-B4	D5-B8
DRV BUSS H	D5-D4	D4-A4
DRV ERASE H	D5-B1	DRIVE
DRV OUT H	D5-C1	DRIVE
DRV LOAD HEAD H	D5-A1	DRIVE
DRV STEP L	D5-C1	DRIVE
DRV INIT + PC	D8-B6	DRIVE
DRV ABOVE TK 43 H	D5-B1	DRIVE
DRV RAW DATA L	DRIVE	D4-A8
DRV SEL DK 1 H	D5-B1	DRIVE
DRV SEL INDR H	DRIVE	D5-A1
DRV SEL TRK 0 H	DRIVE	D5-B1
DRV WT DATA	D5-B1	DRIVE
DRV WT GATE H	D5-C1	DRIVE
DRV SEL WT PROT L	DRIVE	D8-C8
END WIND L	D4-D3	D4-D8
ERROR HLT ENABLE L	KN11	D7-C7

DB1 (1) H	D5-D4	D7-D8
DB3 (1) H	D5-C4	D8-B6
PC 0 (1) H	D6-A1	KN11
PC 1 (1) H	D6-A1	KN11
PC 2 (1) H	D6-A1	KN11
PC 3 (1) H	D6-A1	KN11
PC 4 (1) H	D6-A1	KN11
PC 5 (1) H	D6-A1	KN11
PC 6 (1) H	D6-A1	KN11
PC 7 (1) H	D6-A1	KN11
PC LOAD EN L	D8-D1	D8-A8
RDW OUT 0	D6-D1	D3-C8
RDW OUT 1	D6-D1	D3-C8
RDW OUT 2	D6-D1	D3-C8
RDW OUT 3	D6-D1	D3-C8
RDW OUT 4	D6-D1	D3-C8
RDW OUT 5	D6-D1	D3-C8
RDW OUT 6	D6-D1	D3-C8
RDW OUT 7	D6-D1	D3-C8
RX DATA (1) L	D5-C1, INTERFACE	INTERFACE, D8-D8
RX DONE L	D5-D1	INTERFACE
RX ERROR L	D5-D1	INTERFACE
RX INIT L	INTERFACE	INTERFACE
RX OUT L	D5-D1	INTERFACE
RX RUN L	INTERFACE	D8-D8
RX SHIFT L	D5-C1	INTERFACE
RX TRANSFER REQUEST	D5-D1	INTERFACE
RX 12 HIT L	INTERFACE	D8-D8
SXC BUF OVFLW H	D4-A1	D8-C6
SXC HUF OUT (1) H	D4-C1	D5-C4, D8-B6
SXC HUF H	D5-H4	D5-C4
SFL 0 (1) H	D3-A6	D5-C8, D6-C8, D8-B6, KN11
SFL 1 (1) H	D3-A6	D5-C8, D6-C8, D8-B6, KN11
SFL 2 (1) H	D3-B6	D5-C8, D6-C8, D8-B6, KN11
SFL 3 (1) H	D3-B6	D8-C6
SEP CLK (1) H	D4-B5	D3-A2
SEP DATA (1) H	D4-B5	D4-A2, D7-A8, D8-C8
SEP DATA (1) L	D4-B5	D5-C4
SR H	D5-B4	D5-C4
SR LOAD H	D3-B1	D3-C4
SR HSB (1) H	D3-D3	D5-C4, D8-C8, D8-C6
SYM INDEX (1) H	D5-A5	D8-C6

FLAG (1) H	D5-B3	D8-B6
FLD 0 L	D6-D6	D6-A3, D6-A2
FLD 1 L	D6-D6	D6-B3, D6-B2
FLD 2 L	D6-D6	D6-C3, D6-C2
FLD 3 L	D6-D6	D6-A8, D6-A4
FLD 4 L	D6-D6	D6-B6, D6-B4
FLD 5 L	D6-D6	D6-C6, D6-C4
HALT H	D7-C3	KN11
HALT L	KN11	D7-C7
HIGH 1	D7-C4	D3-D6, D3-D4, D3-C6, D3-C4, D4-A3
HIGH 2	D7-B4	D4-B1, D5-D5, D6-A8
HIGH 3	D7-B4	D4-A5, D5-B7, D5-A7, D5-B4, D7-D5
HOME H	D5-B2	D7-D4, D7-C4, D7-C5, D8-D5, D8-B3
INIT + PC A L	D8-A4	D4-D8, D4-C8, D4-D7, D4-D5, D8-C6
INIT + PC H	D8-A4	D3-C6, D3-B4, D3-A4, D3-A7, D4-B6
INIT + PC L	D8-A4	D4-B5, D6-B8, D7-C5, D8-B2
INST 0 (1) H	D3-B6	D4-D5, D4-C5, D7-D4
INST 0 (1) L	D3-B6	D4-B3, D5-B5, D6-A8
INST 1 (1) H	D3-B6	KN11, D8-B5
INST 1 (1) L	D3-B6	D8-C5
INST 1 (1) L	D3-B6	KN11
INST DIS H	D8-B1	D8-B5
INST DIS L	D8-B1	D8-C5
INTERF BUSS H	D5-D4	D8-B5
JUMP L	D8-C3	D7-B8
LD MR + CLK PC L	D8-C1	D8-AH, D3-A8
LD SCRATCH PAD L	D5-H6	D3-H3
MAINT DIS L	TEST PAD	D8-B1
MIS CLK (1) L	D4-C4	D8-C8
MUX OUT 0	D3-C7	D5-A8
MUX OUT 1	D3-C7	D6-A8
MUX OUT 2	D3-C7	D6-A8
MUX OUT 3	D3-C7	D6-B8
MUX OUT 4	D3-C7	D6-B8
MUX OUT 5	D3-D7	D6-B8
MUX OUT 6	D3-D7	D6-B8
MUX OUT 7	D3-D7	D6-B8

TP3 H	D7-D3	D7-C6, D8-B4, D8-C5
TP3 L	D7-D3	D8-B2
TP4 H	D7-D2	D8-C3
TP4 L	D7-D3	D8-B2
WRK CLK CNTR L	D8-C2	D3-B7
20 MHZ CLK	D7-C5	D4-C8, D4-D7
GND	POWER SUPPLY	D1-A4
+5V	POWER SUPPLY	D1-A4, D8-A7
+7V	KN11	D8-A7
+10V	POWER SUPPLY	D8-B8

REVISIONS		
CHK	CHANGE NO.	REV.

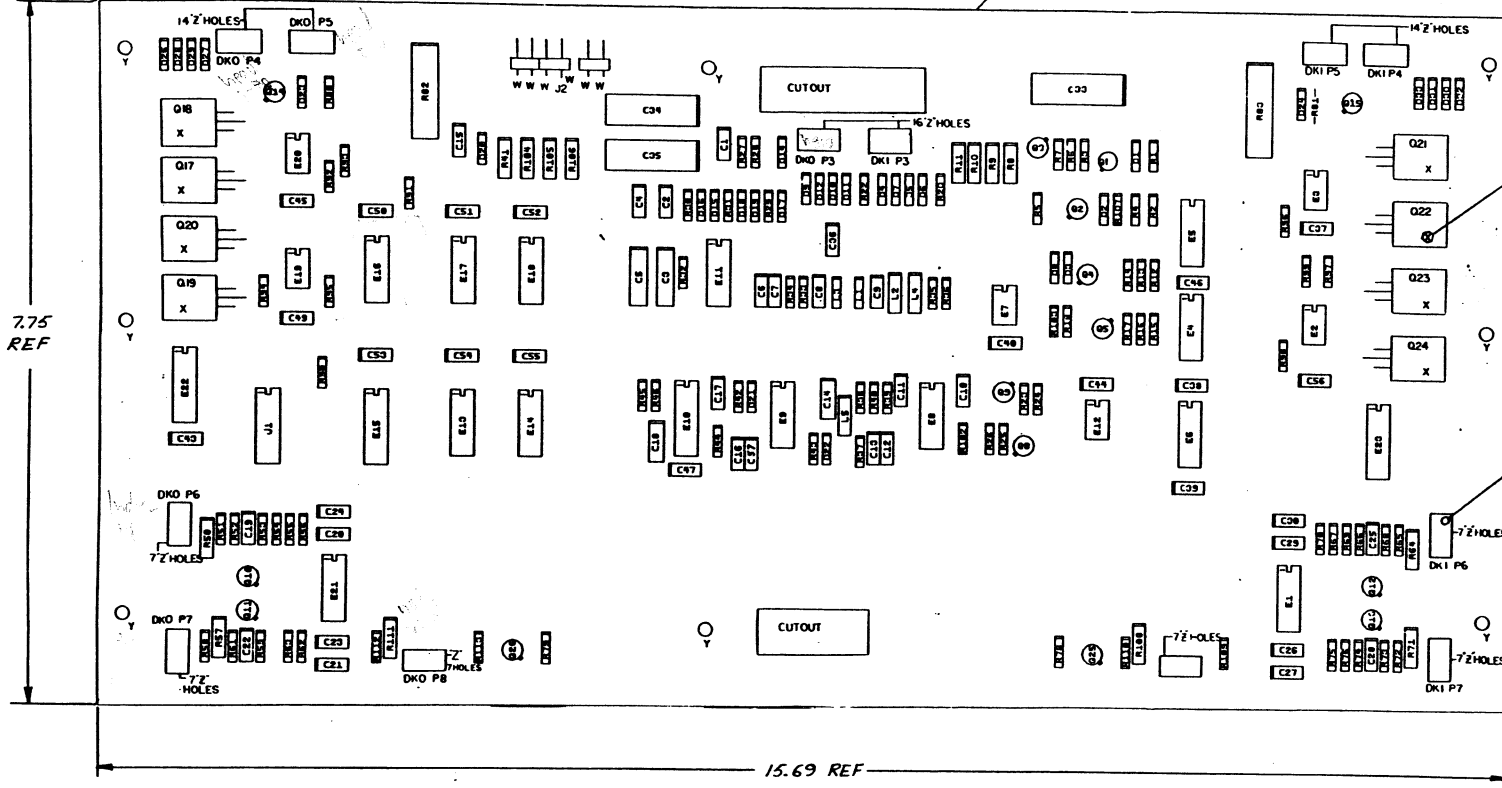
TITLE	SIZE CODE	NUMBER	REV.
FLOPPY DISK CONTROLLER	D CS	M7726-0-1	C
SCALE	SHEET 9 OF 9	DIST.	

DRAWING NUMBER
 M7726-0-1
 REV. C

THIS DRAWING AND SPECIFICATIONS HEREIN ARE THE PROPERTY OF DIGITAL EQUIPMENT CORPORATION AND SHALL NOT BE REPRODUCED OR COPIED OR USED IN WHOLE OR IN PART AS THE BASIS FOR THE MANUFACTURE OR SALE OF ITEMS WITHOUT WRITTEN PERMISSION.
COPYRIGHT © 1974 DIGITAL EQUIPMENT CORPORATION

NOTES:

1. UNLESS OTHERWISE SPECIFIED:
A. ALL RESISTORS ARE 1/4W, ±5%



57
58

55

15.69 REF

7.75 REF

IC TYPE	QTY	REV.
7473	11	4
75451	4	8
74157	0	16
75452	4	8
74123	8	16
IC TYPE	GND	+5V

GND AND 5V ARE USUALLY PIN 7 AND 14 RESPECTIVELY EXCEPTIONS ARE STATED ABOVE

IC PIN LOCATIONS

QTY	REF. DESIGNATION	DESCRIPTION	PART NO.	ITEM NO.
FIRST USED ON OPTION MODEL				
M7727				
ETCH BOARD REV. B				
PARTS LIST				
DATE	12/21/74	DATE	12/21/74	
CHKD	V. Brown	DATE	1/20/75	
ENG	D. Anderson	DATE	2-24-75	
PROJ. MGR.	W. Brown	DATE	12/21/74	
REV. 0	W. Brown	DATE	12/21/75	
TITLE				
READ/WRITE CONTROL				
NEXT HIGHER ASSY				
+				
SEMICONDUCTOR CONVERSION CHART				
DEC NO.	EIA NO.	DEC NO.	EIA NO.	SCALE
				1 OF 6
SIZE CODE				NUMBER
D C S M7727-0-1				REV. A
SHEET				DIST.

PART NO. DCSM7727-0-1

THIS DRAWING AND SPECIFICATIONS HEREIN ARE THE PROPERTY OF DIGITAL EQUIPMENT CORPORATION AND SHALL NOT BE REPRODUCED OR COPIED OR USED IN WHOLE OR IN PART AS THE BASIS FOR THE MANUFACTURE OF SUCH OR OTHER ITEMS WITHOUT WRITTEN PERMISSION. COPYRIGHT © 1974, DIGITAL EQUIPMENT CORPORATION.

PARTS LIST

QTY	REF DESIGNATION	DESCRIPTION	PART NO.	ITEM
		X-Y COORDINATE HOLE LOCATION	K-CO-M7727-0-4	1
		ASSY/ DRILL HOLE LAYOUT	D-AM-M7727-0-5	2
		MODULE ECO HISTORY	B-MM-M7727-0-6	3
1		ETCHED CIRCUIT BOARD	D-IA-5011370-00	4
2	C17, C18	CAP 100 pf	1000016-00	5
1	C9	CAP 180 pf	1000020-00	6
2	C8, C14	CAP 220 pf	1000021-00	7
32	C1, C2, C4, C10, C11, C15 C16, C20, C21, C23, C24 C26, C27, C29, C30, C37, C38, C39, C40, C43 C44, C45, C46, C47 C49 - C57	CAP .01 μf	1001610-00	8
2	C3, C5	CAP 6.8 μf 35V	1005306-00	9
2	C34, C35	CAP 190 μf	1009433-00	10
1	C33	CAP 50 μf	1000080-00	11
4	C7, C6, C12, C13	CAP .047 μf	1010978-32	12
5	C19, C25, C22, C28, C36	CAP .005 μf	1001765-00	13
10	D4, D7, D9, D12, D14 D15, D6, D17, D18, D19	DIODE D671	1103309-00	14
8	D3, D5, D6 D8 D10 D11, D21, D22	DIODE D672	1105275-00	15
10	D23, D24, D26, D27 D28, D29, D30, D31 D32, D33	DIODE 1N4004	1105796-00	16
1	D20	DIODE 1N4742 12V	1109502-00	17
2	D1, D2	DIODE 5.1V	110713-00	18
9	R90, R92 - R99 R41, R104, R105, R106	RES 150 1/4W 5%	1300250-00	19
		RES 680 1/2W 5%	1300347-00	20
2	R6, R14, R17, R23, R24, R26, R46 R78, R79, R80, R81 R91,	RES 1K 1/4W 5%	1300365-00	21
4	R8 - R11	RES 1.2K 1/2W 5%	1300385-00	22
6	R30, R57, R64, R71, R88, R111	RES 68 1/2W 5%	1309405-00	23
7	R13, R16, R53, R62 R68, R75, R102	RES 1.5K 1/4W 5%	1300391-00	24
4	R35, R36, R39, R40	RES 511 1/8W 1%	1302411-00	25
1	R5	RES 2.74K 1/8W 1%	1304868-00	26
11	R2, R4, R7, R12, R15 R18, R23, R25, R27 R42, R43	RES 3.3K 1/4W 5%	1300439-00	27
6	R1, R20, R22, R44 R45, R107	RES 10K 1/4W 5%	1300479-00	28
11	R3, R37, R38, R52 R58, R63, R66, R72 R76, R109 R112	RES 1.21K 1/8W 1%	1302871-00	29
1	R32	RES 196 1/8W 1%	1302956-00	30
2	R33, R34	RES 464 1/8W 1%	1303047-00	31
2	R28, R29	RES 34.8K 1/8W 1%	1303156-00	32
4	R51, R61, R65, R73	RES 10K 1/8W 1%	1303312-00	33
2	R82, R83	RES 100 5W 5%	1309094-00	34
2	R30, R31	RES 19.6K 1/8W 1%	1309419-00	35
6	R55, R59, R67, R74 R110, R113	RES 4.64K 1/4W 1%	1309856-00	36

PARTS LIST

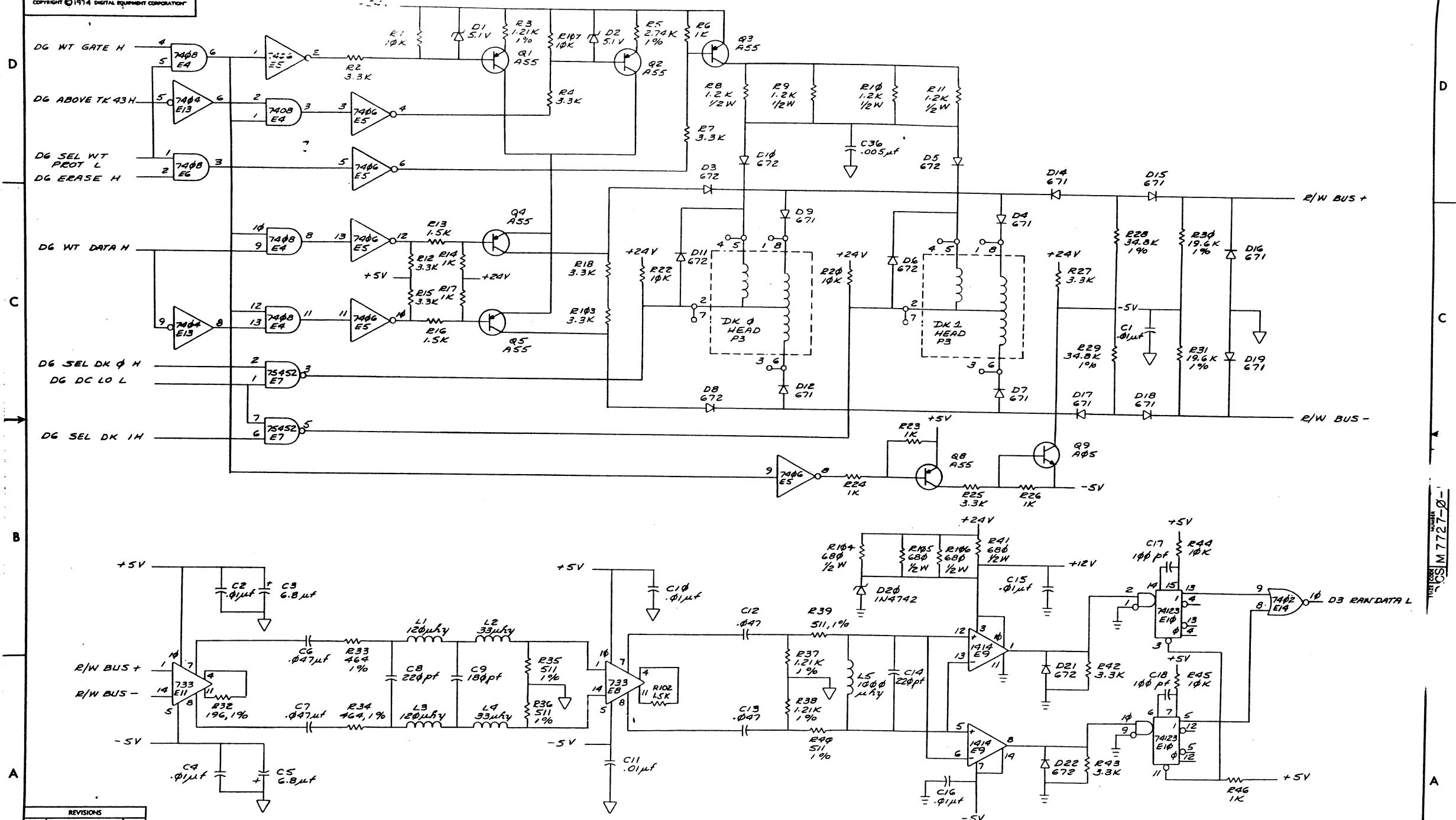
QTY	REF DESIGNATION	DESCRIPTION	PART NO.	ITEM
1	L5	CHOKE 1000 MHY	1602723-00	37
2	L2, L4	CHOKE 33 MHY	1601759-00	38
2	L1, L3	CHOKE 120 MHY	1610663-00	39
1	E17	I.C. 7450	1905580-00	40
2	E16, E18	I.C. 7473	1905587-00	41
1	E14	I.C. 7402	1909004-00	42
1	E13	I.C. 7404	1909686-00	43
2	E4, E6	I.C. 7409	1910555-00	44
3	E1, E9, E21	I.C. 1414	1910337-00	45
5	E2, E3, E12, E19, E20	I.C. 75451	1910406-00	46
1	E10	I.C. 74123	1910436-00	47
2	E8, E11	I.C. 72733	1910644-00	48
1	E15	I.C. 74157	1910655-00	49
1	E5	I.C. 7406	1910741-00	50
1	J1	I.C. SOCKET 16 PIN	1211813-02	51
9	Q9 THRU Q15, Q25 Q26	TRANS MXA805	1510705-00	52
6	Q1 - Q5, Q8	TRANS MXA855	1510706-00	53
8	Q17 - Q24	TRANS D44CB	1510421-00	54
86	Z HOLES	STAKED PIN	9009149-00	55
3	J2	CONN 2 POS	1212204-00	56
8	"X" HOLES	SCREW, PAN HD 4/40 X 1/4	9008301-01	57
8	"X" HOLES	NUT, KEP 4/40 X 1/4 X 3/32	9006557-00	58
1	E7	I.C. 75452	1910645-00	59
4	R54, R56, R69, R70	RES 14.7K 1/4W 1%	1302941-00	60

REV. A
DCS M7727-0-1

REVISIONS		
K	CHANGE NO.	REV

TITLE	READ/WRITE CONTROL	SIZE CODE	D CS	NUMBER	M7727-0-1	REV.	A
SCALE	1/1	SHEET	2	OF	6	DIST.	

THIS DRAWING AND SPECIFICATIONS HEREIN ARE THE PROPERTY OF DIGITAL EQUIPMENT CORPORATION AND SHALL NOT BE REPRODUCED OR COPIED OR USED IN WHOLE OR IN PART AS THE BASIS FOR THE MANUFACTURE OR SALE OF ITEMS WITHOUT WRITTEN PERMISSION. COPYRIGHT © 1974 DIGITAL EQUIPMENT CORPORATION



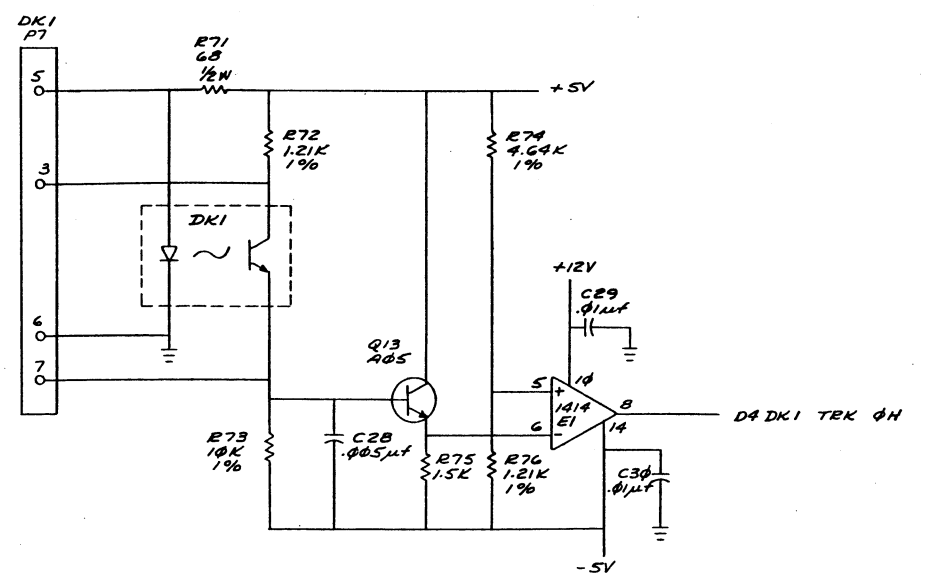
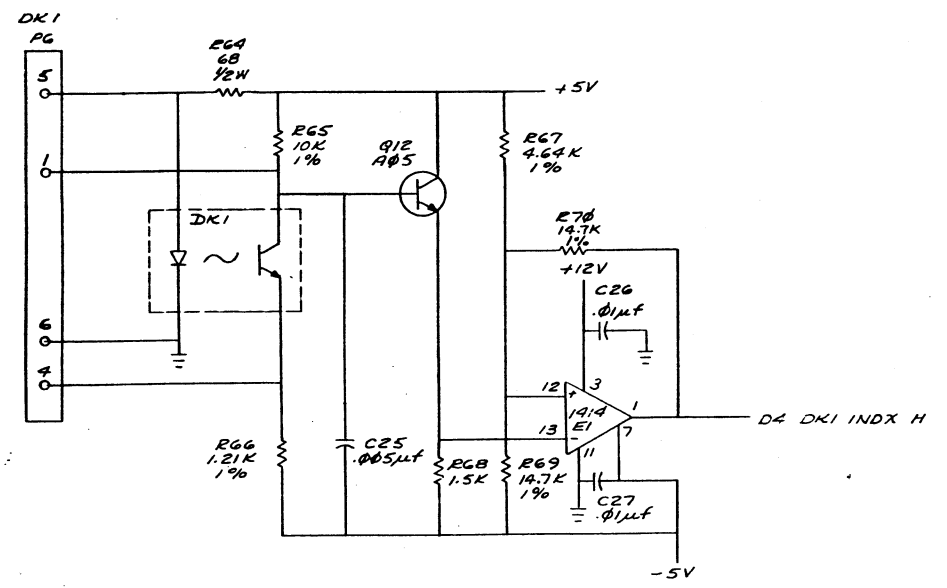
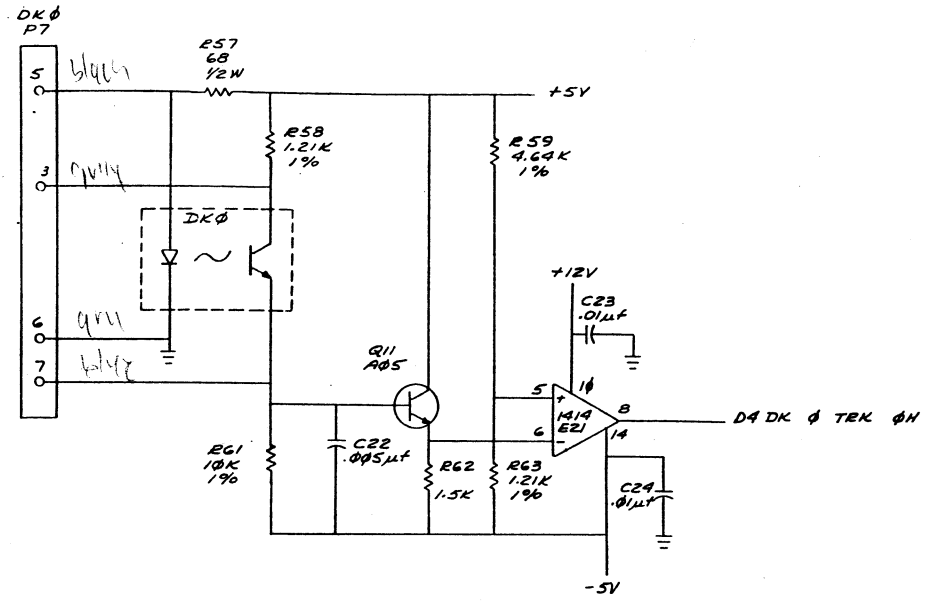
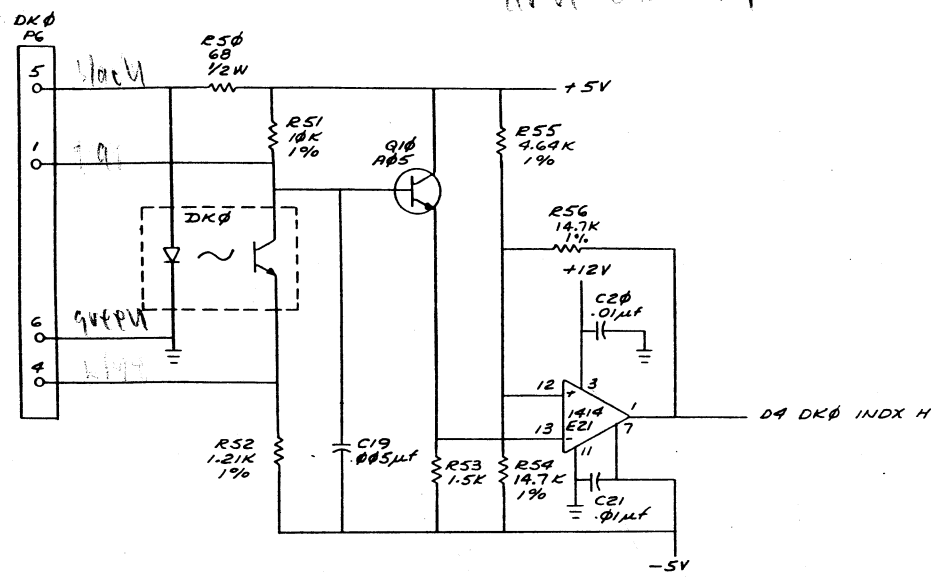
REVISIONS		
CHK	CHANGE NO.	REV.

TITLE	READ / WRITE CONTROL (D3)	SIZE CODE	DCS	NUMBER	M7727-0-1	REV.	A
SCALE	1/1	SHEET	3	OF	6	DIST.	

CSM 7727-0-1

THIS DRAWING AND SPECIFICATIONS HEREIN ARE THE PROPERTY OF DIGITAL EQUIPMENT CORPORATION AND SHALL NOT BE REPRODUCED OR COPIED OR USED IN WHOLE OR IN PART AS THE BASIS FOR THE MANUFACTURE OR SALE OF ITEMS WITHOUT WRITTEN PERMISSION. COPYRIGHT © 1974 DIGITAL EQUIPMENT CORPORATION

note: opto isolators are on drive channels, not pchs



REVISIONS		
CHK	CHANGE NO.	REV.

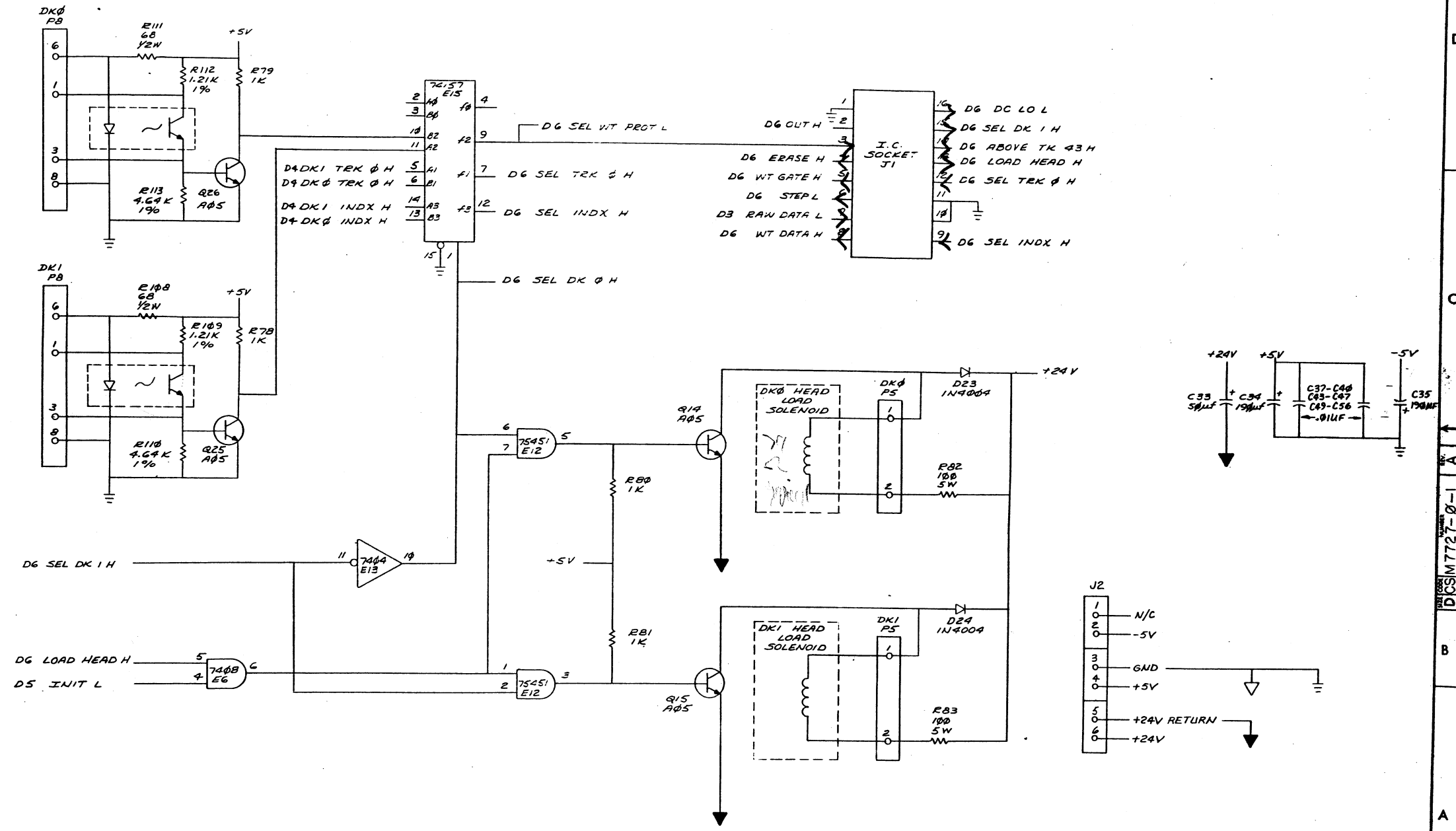
TITLE	READ / WRITE CONTROL (D4)	SIZE CODE	D	NUMBER	M7727-0-1	REV.	A
SCALE	1/1	SHEET	4	OF	6	DIST.	

DCS M 7727-0-1 A

THIS DRAWING AND SPECIFICATIONS HEREIN ARE THE PROPERTY OF DIGITAL EQUIPMENT CORPORATION AND SHALL NOT BE REPRODUCED OR COPIED OR USED IN WHOLE OR IN PART AS THE BASIS FOR THE MANUFACTURE OR SALE OF ITEMS WITHOUT WRITTEN PERMISSION. COPYRIGHT © 1974 DIGITAL EQUIPMENT CORPORATION

D
C
B
A

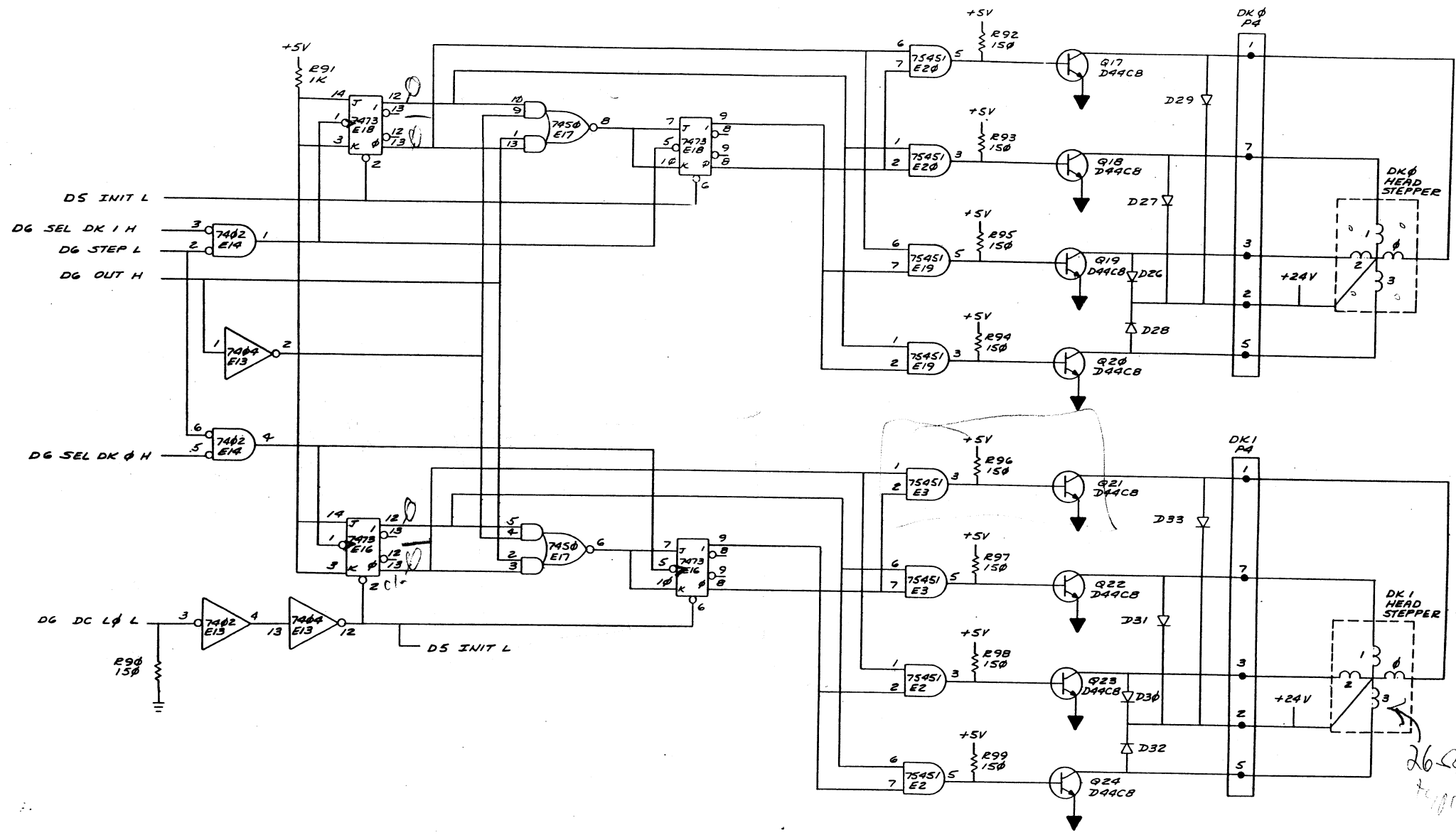
D
C
B
A



REVISIONS		
CHK	CHANGE NO.	REV.

THIS DRAWING AND SPECIFICATIONS HEREIN ARE THE PROPERTY OF DIGITAL EQUIPMENT CORPORATION AND SHALL NOT BE REPRODUCED OR COPIED OR USED IN WHOLE OR IN PART AS THE BASIS FOR THE MANUFACTURE OR SALE OF ITEMS WITHOUT WRITTEN PERMISSION. COPYRIGHT © 1974 DIGITAL EQUIPMENT CORPORATION

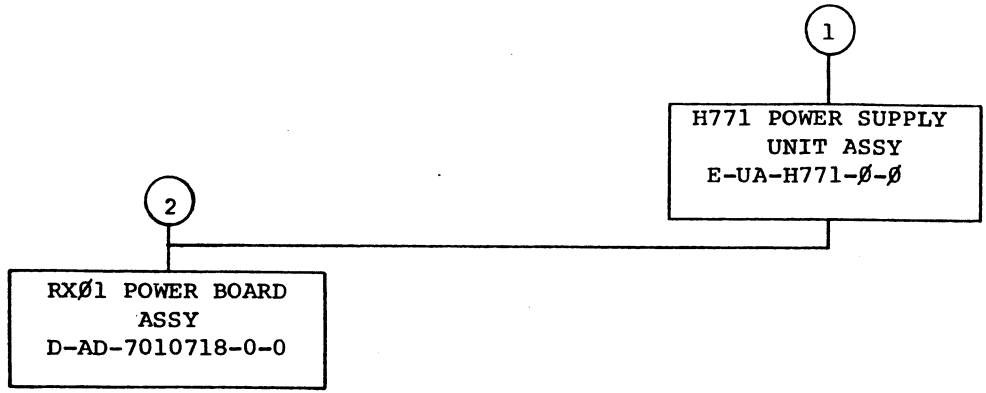
1-7-77 11500 2



REVISIONS		
CHK	CHANGE NO.	REV.

TITLE READ / WRITE CONTROL (D5) SIZE CODE DCS NUMBER M 7727-0-1 REV. A
 SCALE SHEET 5 OF 6 DIST.

DCS M 7727-0-1



TITLE	SHEET	SIZE	CODE	NUMBER	REV
H771 POWER SUPPLY	2 OF 3	B	DD	H771-Ø	A

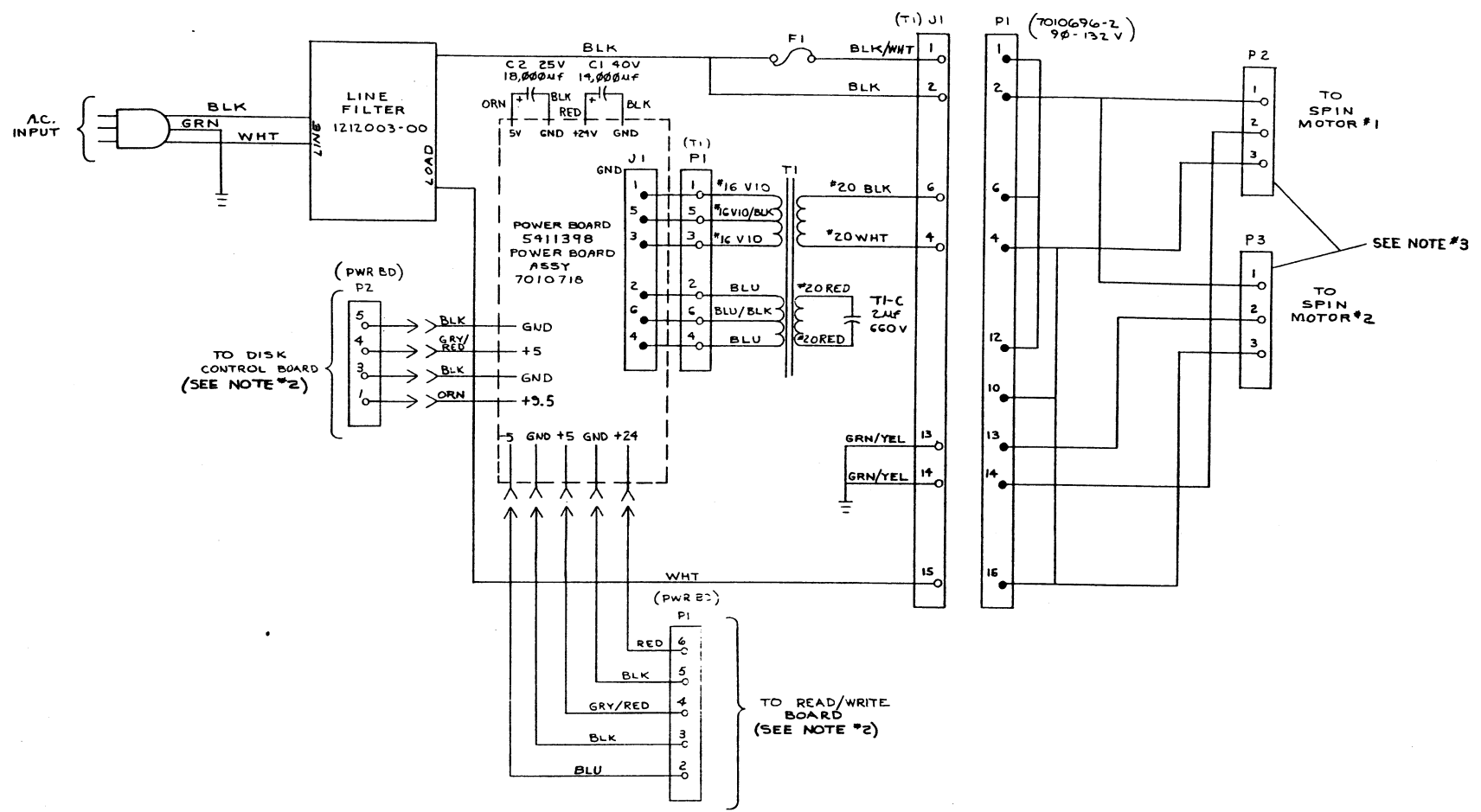
CUSTOMER PRINT SET		MECHANICAL					CUSTOMER PRINT SET		ELECTRICAL						
MFG.	SET	FIND NO.	DRAWING NO.	REV	NO OF SHT	DESCRIPTION	OPTION NO./FILE DATE	MFG.	SET	FIND NO.	DRAWING NO.	REV	NO OF SHT	DESCRIPTION	OPTION NO./FILE DATE
		1	E-UA-H771-0-0	A	2	H771 POWER SUPPLY ASSY		X		1	B-DD-H771-0	A	3	H771 POWER SUPPLY	
			E-MD-7412667-0-0		1	CHASSIS, POWER SUPPLY		X			D-CS-H771-A-1	A	1	H771-A CIRCUIT SCHEMATIC	
			D-AD-7010680-0-0		1	TRANSFORMER ASSY, 60 HZ		X			D-CS-H771-C-1	*	1	H771-C CIRCUIT SCHEMATIC	
			D-AD-7010704-0-0		1	TRANSFORMER ASSY, 50 HZ		X			D-CS-H771-D-1	*	1	H771-D CIRCUIT SCHEMATIC	
			C-AD-7010697-0-0		1	POWER CORD ASSY					A-SP-H771-0-1			ENGINEERING SPECIFICATION	
			C-AD-7010972-0-0		1	JUMPER									
			C-MD-7413344-0-0		1	BRACKET, FUSE MOUNTING									
			A-DC-7413403-0-0		1	DECAL, H771-A									
			A-DC-7414250-0-0		1	DECAL, H771-C									
			A-DC-7414251-0-0		1	DECAL, H771-D									
		2	D-AD-7010718-0-0		1	RX01 POWER BOARD ASSY									
			D-IA-7010854-0-0		1	READ/WRITE BOARD HARNESS		X		2	D-AD-7010718-0-0	*	1	RX01 POWER BOARD ASSY	
			D-IA-7010853-0-0		1	DISK CONTROL BOARD HARNESS		X			D-CS-5411398-0-1	*	1	RX01 POWER BOARD ASSY	

CUSTOMER PRINT SET CODES
X = PRINT OF DOCUMENT INCLUDED IN PRINT SET
C = INCLUDES ALL PRINTS INDICATED ON DOCUMENT
S = CONFIDENTIAL AUTHORIZED SIGNATURE REQUIRED

TITLE: H771 POWER SUPPLY
SHEET 3 OF 3
SIZE CODE: B DD
NUMBER: H771-0
REV: A

THIS DRAWING AND SPECIFICATIONS HEREIN ARE THE PROPERTY OF DIGITAL EQUIPMENT CORPORATION AND SHALL NOT BE REPRODUCED OR COPIED OR USED IN WHOLE OR IN PART AS THE BASIS FOR THE MANUFACTURE OR SALE OF ITEMS WITHOUT WRITTEN PERMISSION. COPYRIGHT © 1975, DIGITAL EQUIPMENT CORPORATION

- NOTES:
1. ALL WIRE TO BE #18 AWG UNLESS OTHERWISE SPECIFIED.
 2. SLOT BETWEEN P1-4 + P1-5 CONTAINS A DUMMY PIN. SLOT BETWEEN P2-4 + P2-5 ALSO CONTAINS A DUMMY PIN.
 3. NO DOUBLE CRIMPS ARE ALLOWED IN MOLEX CONNECTOR(S) TO MOTOR(S).

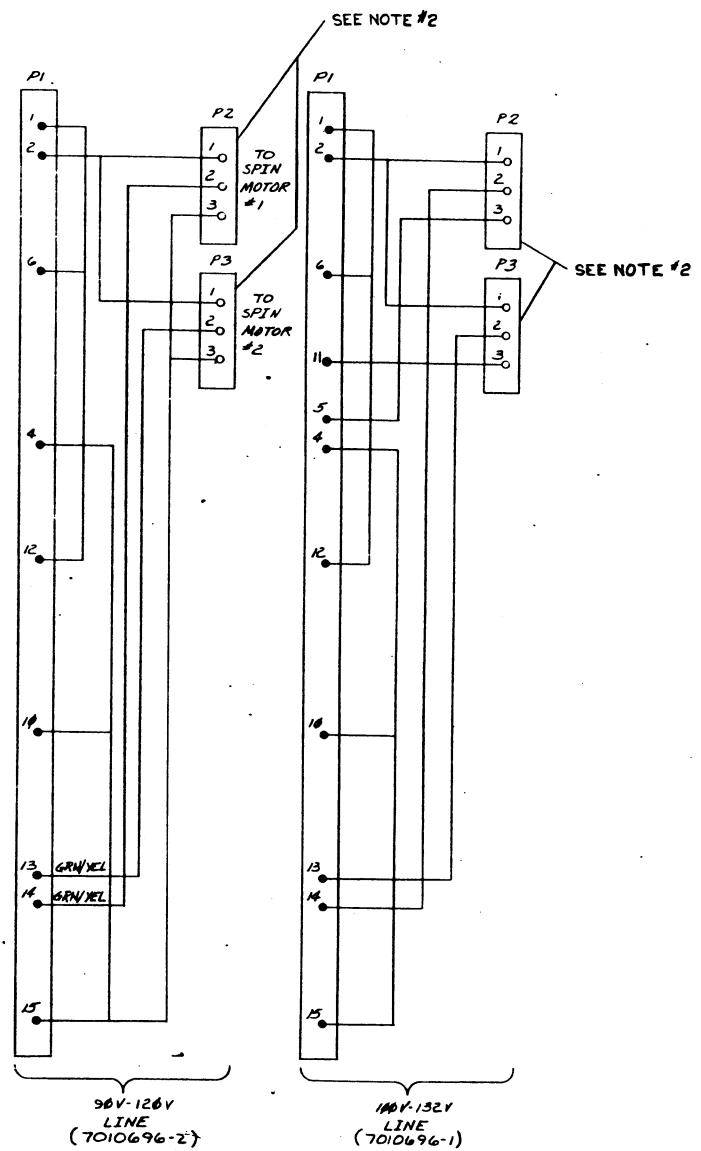
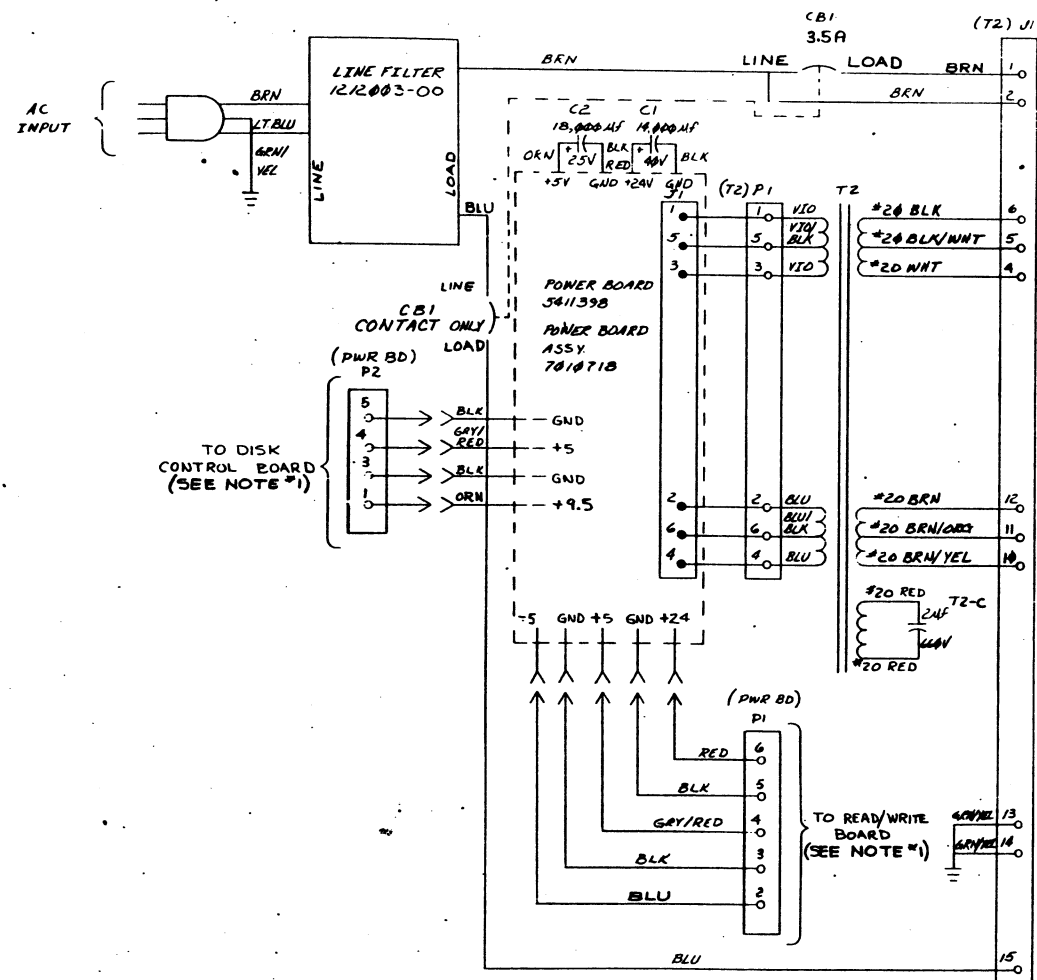


REV.	DATE	BY	CHKD
1	1/22/75	B. HAZEN	
2	3/10/75		
3	3/14/75		

DRN. D.E. O'Leary	1/22/75	FIRST USED ON	Rx01	digital
CHK'D W.F.M. Galt	3/10/75	TITLE	H771A POWER CONNECTIONS	
ENG. D.J. Mc...	3-10-75	PROJ. ENG. V.L. ...	3-10-75	
PROD. ...	3/14/75			
NEXT HIGHER ASSY.		SCALE	NONE	
B-DD-H771-0		SIZE	D CS	
		NUMBER	H771-A-1	
		REV.	A	
SHEET 1 OF 1		DIST.		

THE DESIGN AND SPECIFICATIONS HEREIN ARE THE PROPERTY OF DIGITAL EQUIPMENT CORPORATION AND SHALL NOT BE REPRODUCED OR COPIED IN WHOLE OR IN PART AS THE BASIS FOR THE MANUFACTURE OR SALE OF ITEMS UNLESS WRITTEN PERMISSION IS OBTAINED FROM DIGITAL EQUIPMENT CORPORATION.

- NOTES:
1. SLOT BETWEEN PI-4 AND PI-5 CONTAINS A DUMMY PIN. SLOT BETWEEN P2-4 AND P2-5 ALSO CONTAINS A DUMMY PIN.
 2. NO DOUBLE CRIMPS ALLOWED IN MOLEX CONNECTOR(S) TO MOTOR(S).
 3. ALL WIRES TO BE #18 AWG UNLESS OTHERWISE SPECIFIED.



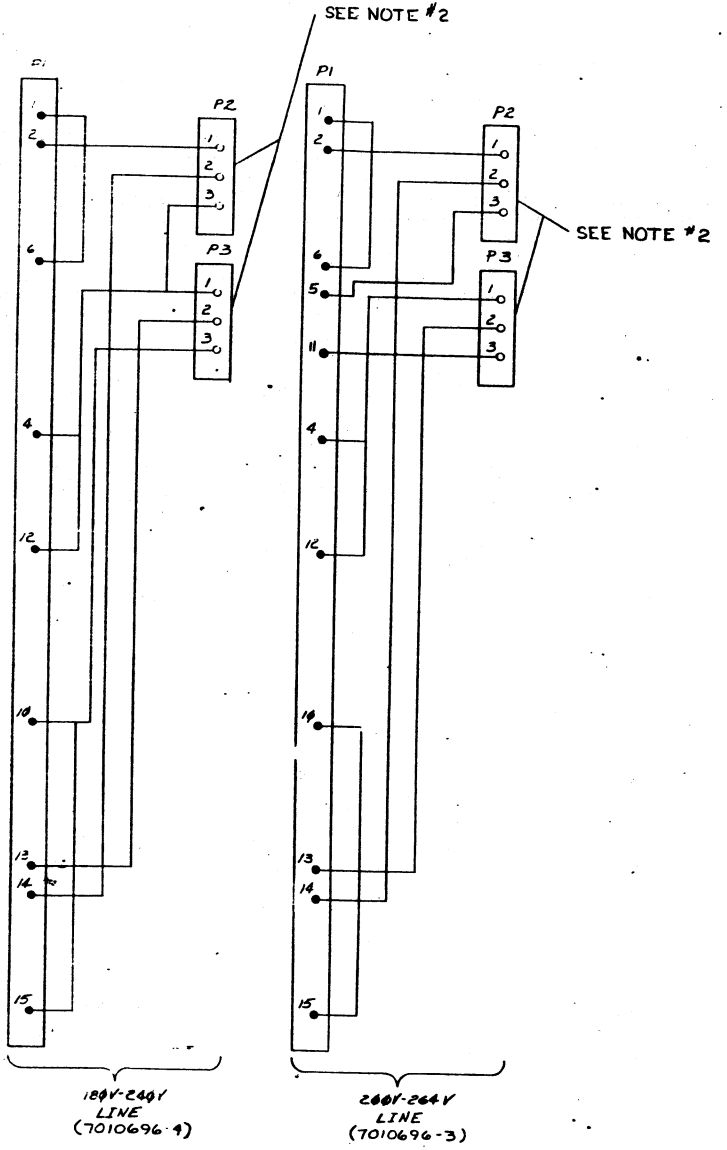
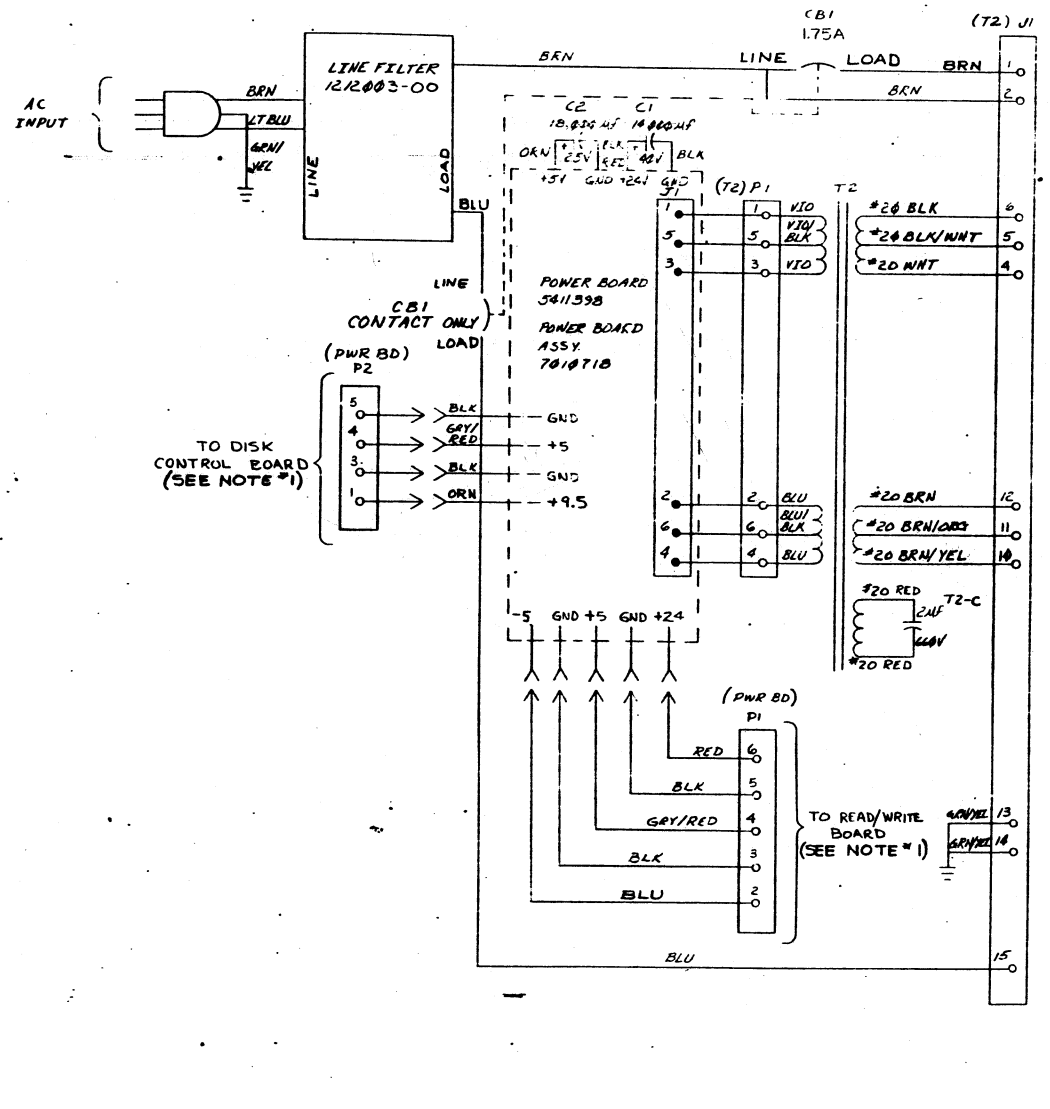
REV.	DATE	BY	CHK.
1	7-30-75	E. REMOND	E. REMOND
2	8-5-75		
3	8-12-75		
4	8-12-75		
5	8-12-75		

DRN. 2/1/75	7-30-75	FILED IN	RX01
CHK. E. REMOND	8-5-75	TITLE	H771-C POWER CONNECTIONS
ENGR. J. L. BROWN	8-12-75	SCALE	D CS H771-C
PROD. E. REMOND	8-12-75	SHEET	1 OF 1
NEXT HIGHER ASSY.		DIST.	

10 CS H771-B-1

THE DRAWING AND SPECIFICATIONS HEREIN ARE THE PROPERTY OF DIGITAL EQUIPMENT CORPORATION AND SHALL NOT BE REPRODUCED OR COPIED OR USED IN WHOLE OR IN PART AS THE BASIS FOR THE MANUFACTURE OR SALE OF ITEMS UNLESS WRITTEN PERMISSION IS OBTAINED FROM DEPARTMENT 0715, DIGITAL EQUIPMENT CORPORATION

- NOTES:
1. SLOT BETWEEN PI-4 AND PI-5 CONTAINS A DUMMY PIN. 20 BETWEEN P2-4 AND P2-5 ALSO CONTAINS A DUMMY PIN.
 2. NO DOUBLE CRIMPS ALLOWED IN MOLEX CONNECTOR(S) TO MOTOR(S).
 3. ALL WIRES TO BE #18AWG UNLESS OTHERWISE SPECIFIED.



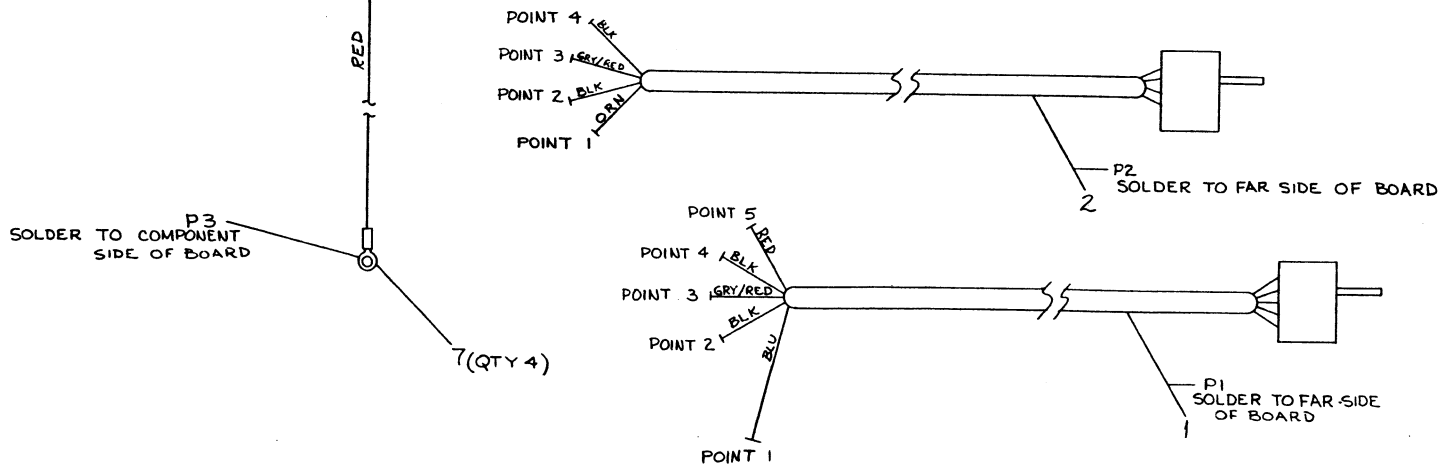
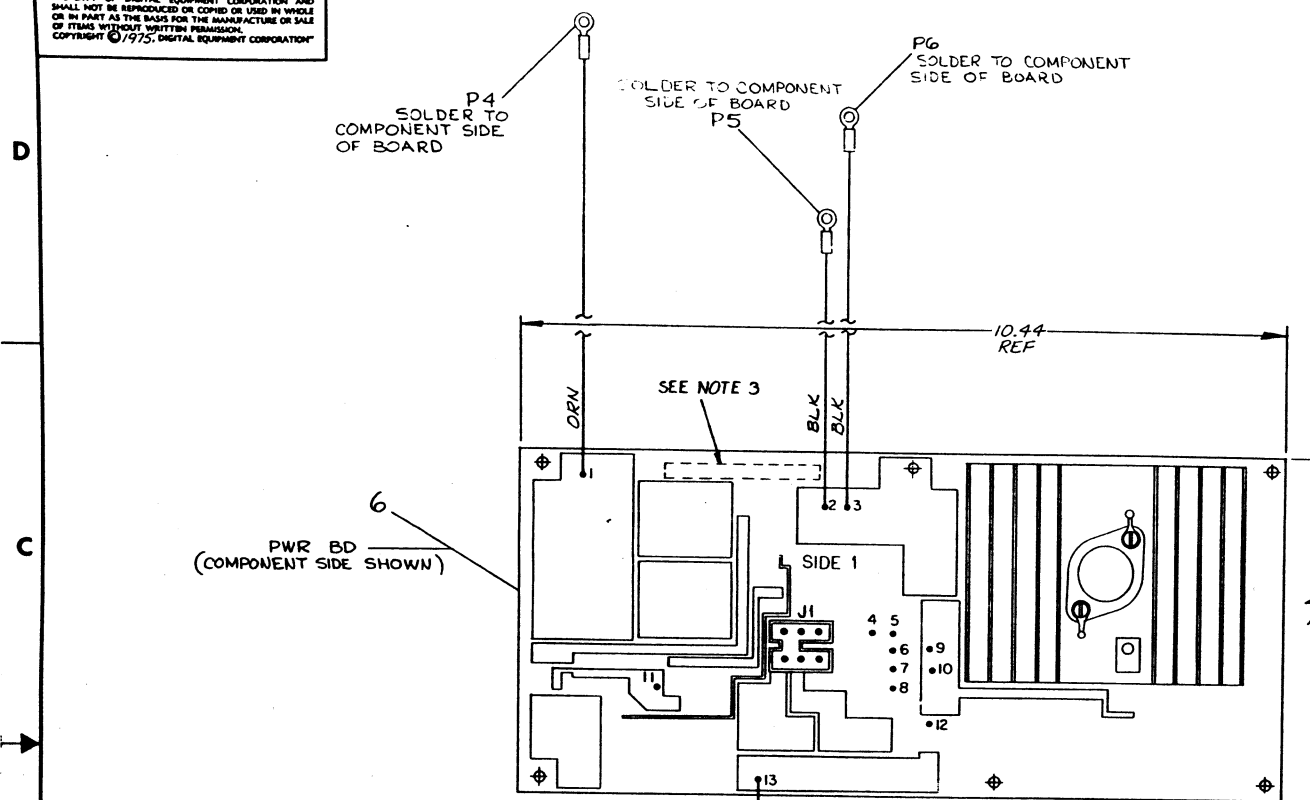
REV.	DATE	BY	CHK'D
*			
ORIGINATED			

DRN. <i>B. Kiker</i>	7-30-73	FIRST USED ON	
CHK'D <i>DeRemo</i>	8-5-73	TITLE	RX01
ENG. <i>R. Al</i>	8-7-73	PROJECT	H771-D POWER CONNECTIONS
PROD. <i>G. M. J. J.</i>	8-23-73	SCALE	1 OF 1
NEXT HIGHER ASSY.		SIZE	CODE
B-DD-H771-D		D	CS
SCALE		NUMBER	H771-D-1
SHEET		DIST.	

THIS DRAWING AND SPECIFICATIONS HEREIN ARE THE PROPERTY OF DIGITAL EQUIPMENT CORPORATION AND SHALL NOT BE REPRODUCED OR COPIED OR USED IN WHOLE OR IN PART AS THE BASIS FOR THE MANUFACTURE OR SALE OF ITEMS WITHOUT WRITTEN PERMISSION OF DIGITAL EQUIPMENT CORPORATION. COPYRIGHT © 1975, DIGITAL EQUIPMENT CORPORATION

ITEM NO.	DESCRIPTION	FROM		TO		LENGTH	
		AWG	COLOR	CONN	TERM		CONN
1	18	BLU	P1 POINT 1	---	PWR #11	SOLDER	---
	↑	BLK	P1 POINT 2	---	PWR #6	---	---
	↓	GRY/RED	P1 POINT 3	---	PWR #9	---	---
	↓	BLK	P1 POINT 4	---	PWR #5	---	---
2	↓	RED	P1 POINT 5	---	PWR #12	---	---
	↓	ORN	P2 POINT 1	---	PWR #4	---	---
	↓	BLK	P2 POINT 2	---	PWR #7	---	---
	↓	GRY/RED	P2 POINT 3	---	PWR #10	---	---
3	14	RED	P3	ITEM 7	PWR #13	---	13 IN ±.25
4	14	BLK	P5	ITEM 7	PWR #2	---	7 IN ±.25
5	14	ORN	P4	ITEM 7	PWR #1	---	11 IN ±.25
4	14	BLK	P6	ITEM 7	PWR #3	SOLDER	9 IN ±.25

- NOTES:
1. STRIP LENGTH FOR ITEMS 3, 4 & 5 ARE TO BE .16 LONG.
 2. THE BLACK WIRES ON P1 & P2 CAN BE INTERCHANGED BETWEEN POINTS 5, 6, 7, & 8 ON THE POWER BOARD.
 3. INK STAMP ASS'Y NO. 7010718 IN FIGURES, 13 HIGH WHERE SHOWN.



DESCRIPTION	DWG. PART NO.	ITEM NO.
4 CONN. SOLDERLESS	9007928-00	7
1 POWER SUPPLY BOARD, RXØ1	D-05-541139B-0-1	6
1/4 WIRE, #14 AWG, IPVC, ORANGE	9107370-33	E
1/4 WIRE, #14 AWG, IPVC, BLACK	9107370-00	E
1/4 WIRE, #14 AWG, IPVC, RED	9107370-22	E
1 HARNESS, DISK CONTROL BOARD IA-7010853-0-0		
1 HARNESS, READ/WRITE BOARD D-1A-7010854-0-0		

DESCRIPTION		DNG. PART NO.		ITEM NO.	
UNLESS OTHERWISE SPECIFIED DIMENSIONS ARE IN INCHES					
ANGLES	±.015	±.015	±.015	±.015	±.015
SURFACE QUALITY	MEDIUM	1.000	1.012	1.018	1.024
QUANTITY & VARIATION	PREFERRED	1.012	1.018	1.024	1.030

THIRD ANGLE PROJECTION

REMOVE BURRS AND BREAK SHARP CORNERS

DO NOT SCALE DWG

MATERIAL: SEE PARTS LIST

FINISH: / /

DRN. T. Quinn 1/28/75

CHK'D: M. C. 1/28/75

ENG. B. W. 1/28/75

PROJ. ENG. 1/28/75

PROD. 1/28/75

NEXT HIGHER ASSY.

E-UA-H771-0-0

SCALE: 1/1

SHEET 1 OF 1

FIRST USED ON: H771

TITLE: RXØ1 POWER BOARD ASS'Y

SIZE: D AD

NUMBER: 7010718-0-0

REV. B

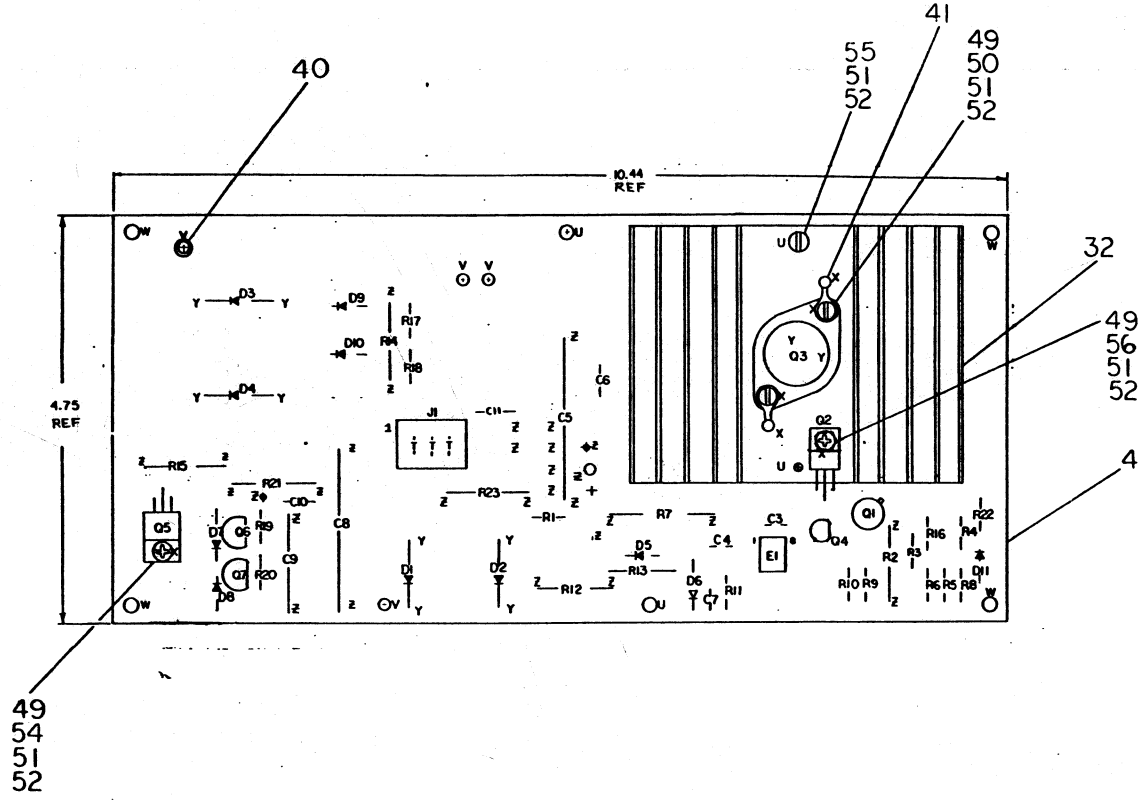
REV.	DATE	BY	CHK
A	1-28-75	C. YOUSE	
B	2-20-75	B. HAZEN	
C	3-12-75		

7010718-0-1

"THIS DRAWING AND SPECIFICATIONS, HEREIN, ARE THE PROPERTY OF DIGITAL EQUIPMENT CORPORATION AND SHALL BE KEPT CONFIDENTIAL. NO PART THEREOF IS TO BE REPRODUCED OR TRANSMITTED IN ANY FORM OR BY ANY MEANS, ELECTRONIC OR MECHANICAL, INCLUDING PHOTOCOPYING, RECORDING, OR BY ANY INFORMATION STORAGE AND RETRIEVAL SYSTEM, WITHOUT EXPRESS PERMISSION OF DIGITAL EQUIPMENT CORPORATION." COPYRIGHT © 1974

NOTES:

1. UNLESS OTHERWISE SPECIFIED
2. ALL RESISTORS ARE 1/4W, 5%.
3. DOTTED AREAS COMPONENT NOT ON BOARD.
4. AT TIME OF MODULE ASSY, ITEM #9 SHOULD BE APPLIED BENEATH Q2, Q3 & Q5.
5. AT TIME OF ASSEMBLY, Q2, Q3 AND Q5 MOUNTING HARDWARE MUST BE TORQUED TO 4 TO 6 INCH POUNDS.
6. Q4, Q6 AND Q7 OUTLINES CORRESPOND TO GENERAL ELECTRIC TYPE TRANSISTORS.
7. FLAT RECTANGULAR WASHER SUPPLIED BY VENDOR TO BE MOUNTED UNDER Q2 AND Q5. SCREWHEAD.



301A	4	7
IC TYPE	GND	+5V
GND AND 5V ARE USUALLY PIN 7 AND 14 RESPECTIVELY EXCEPTIONS ARE STATED ABOVE		
IC PIN LOCATIONS		

REF	REF. DESIGNATION	DESCRIPTION	PART NO.	ITEM NO.
1		X-Y COORDINATE HOLE LOCATION	100-5411398-3-4	1
1		PCB DEILLING HOLE LAYOUT		2
1		MODULE ECO HISTORY	B-MH-5411398-0-6	3
1		ETCHED CIRCUIT BOARD	5011397-00	4
3	C3, C4, C7	CAP .01UF 100V 20% DISC	1001610-01	5
2	C5, C8	CAP .1000UF 1KV ELEC	1011849-02	6
3	C6, C10, C11	CAP .1UF 100V 20% DISC	1000030-00	7
1	C9	CAP 190UF 12V 10% ELEC	1009433-00	8
2	D1, D2	DIODE 1N4004 (IN5624)	1110420-00	9
2	D3, D4	DIODE 1N4752	1110615-00	10
1	D5	DIODE 1N4744 15V 10%	1105648-00	11
				12
2	D7, D6	DIODE 5Z710910 5.1V 2%	1110713-00	13
1	D8	DIODE D664	1100114-00	14
2	D9, D10	DIODE 1N4004	1105796-00	15
1	D11	DIODE 1N754A 6.8V 5%	1109991-00	16
2	R5, R17	RES 39 1/4W 5% CC	1302377-00	17
1	R6	RES 470 1/4W 5% CC	1300316-00	18
1	R7	RES .08 5W 3%	1311603-00	19
1	R8	RES 47 1/4W 5% CC	1300028-00	20
1	R9	RES 1M 1/4W 5% CC	1309595-00	21
1	R12	RES 270 2W 5% CC	1305380-00	22
1	R13	RES 511 1/4W 1%	1300324-00	23
1	R14	RES 10 2W 10% CC	1300172-00	24
1	R15	RES 180 1W 5% CC	1300262-00	25
1	R16	RES 10 1/4W 5% CC	1301317-00	26
				27
1	R18	RES 120 1/4W 5% CC	1300247-00	28
2	R19, R20	RES 1K 1/4W 5% CC	1300365-00	29
1	R22	RES 220 1/4W 5%	1300271-00	30
1	R21	RES 120 1W 5%	1301838-00	31
1		HEAT SINK	1212201-00	32
1	Q1	TRANS DEC 2219-2	1501883-00	33
1	Q2	TRANS D44C3	1510171-01	34
1	Q3	TRANS DEC 3715	1503068-00	35
2	Q4, Q6	TRANS MXA805	1510105-00	36
1	Q5	TRANS D45H8	1510708-01	37
1	Q7	TRANS MXA855	1510706-00	38
1	E1	I.C. DEC 301AN	1910282-00	39
4		EYELET	9007836-00	40
2		TERMINAL LUG, SOLDER	9009676-00	41
1	J1	CONNECTOR 6 PIN	1211342-0-6	42
				43
1	R4	RES 560 1/4W 5% CC	1301890-00	44
1	R23	RES 75 1W 5% CC	1305281-00	45
3	R1, R10, R11	RES 10K 1/4W 5% CC	1300479-00	46
1	R2	RES 390 2W 5% CC	1301864-00	47
1	R3	RES 620 1/4W 5% CC	1303178-00	48
		THERMAL COMPOUND	9008268-00	49
2		SCREW 4-40 X 1/2	9006013-04	50
3		KEPNUT 4-40	9006337-00	51
5		WASHER FLAT 4-40	9006635-00	52
				53
1		SCREW 4-40 X 5/16 (PHILLIPS HD)	9006011-1	54
1		SCREW 4-40 X 7/16	9006012-04	55
1		SCREW 4-40 X 1/2 (PHILLIPS HD)	9006013-1	56

FIRST USED ON OPTION MODEL: RX01

ETCH BOARD REV: C

DATE: DEC 17 74

DATE: 11/17/75

DATE: 12/15/75

DATE: 1/24/76

DATE: 2/24/76

DATE: 3/24/76

DATE: 4/24/76

DATE: 5/24/76

DATE: 6/24/76

DATE: 7/24/76

DATE: 8/24/76

DATE: 9/24/76

DATE: 10/24/76

DATE: 11/24/76

DATE: 12/24/76

DATE: 1/24/77

DATE: 2/24/77

DATE: 3/24/77

DATE: 4/24/77

DATE: 5/24/77

DATE: 6/24/77

DATE: 7/24/77

DATE: 8/24/77

DATE: 9/24/77

DATE: 10/24/77

DATE: 11/24/77

DATE: 12/24/77

DATE: 1/24/78

DATE: 2/24/78

DATE: 3/24/78

DATE: 4/24/78

DATE: 5/24/78

DATE: 6/24/78

DATE: 7/24/78

DATE: 8/24/78

DATE: 9/24/78

DATE: 10/24/78

DATE: 11/24/78

DATE: 12/24/78

DATE: 1/24/79

DATE: 2/24/79

DATE: 3/24/79

DATE: 4/24/79

DATE: 5/24/79

DATE: 6/24/79

DATE: 7/24/79

DATE: 8/24/79

DATE: 9/24/79

DATE: 10/24/79

DATE: 11/24/79

DATE: 12/24/79

DATE: 1/24/80

DATE: 2/24/80

DATE: 3/24/80

DATE: 4/24/80

DATE: 5/24/80

DATE: 6/24/80

DATE: 7/24/80

DATE: 8/24/80

DATE: 9/24/80

DATE: 10/24/80

DATE: 11/24/80

DATE: 12/24/80

DATE: 1/24/81

DATE: 2/24/81

DATE: 3/24/81

DATE: 4/24/81

DATE: 5/24/81

DATE: 6/24/81

DATE: 7/24/81

DATE: 8/24/81

DATE: 9/24/81

DATE: 10/24/81

DATE: 11/24/81

DATE: 12/24/81

DATE: 1/24/82

DATE: 2/24/82

DATE: 3/24/82

DATE: 4/24/82

DATE: 5/24/82

DATE: 6/24/82

DATE: 7/24/82

DATE: 8/24/82

DATE: 9/24/82

DATE: 10/24/82

DATE: 11/24/82

DATE: 12/24/82

DATE: 1/24/83

DATE: 2/24/83

DATE: 3/24/83

DATE: 4/24/83

DATE: 5/24/83

DATE: 6/24/83

DATE: 7/24/83

DATE: 8/24/83

DATE: 9/24/83

DATE: 10/24/83

DATE: 11/24/83

DATE: 12/24/83

DATE: 1/24/84

DATE: 2/24/84

DATE: 3/24/84

DATE: 4/24/84

DATE: 5/24/84

DATE: 6/24/84

DATE: 7/24/84

DATE: 8/24/84

DATE: 9/24/84

DATE: 10/24/84

DATE: 11/24/84

DATE: 12/24/84

DATE: 1/24/85

DATE: 2/24/85

DATE: 3/24/85

DATE: 4/24/85

DATE: 5/24/85

DATE: 6/24/85

DATE: 7/24/85

DATE: 8/24/85

DATE: 9/24/85

DATE: 10/24/85

DATE: 11/24/85

DATE: 12/24/85

DATE: 1/24/86

DATE: 2/24/86

DATE: 3/24/86

DATE: 4/24/86

DATE: 5/24/86

DATE: 6/24/86

DATE: 7/24/86

DATE: 8/24/86

DATE: 9/24/86

DATE: 10/24/86

DATE: 11/24/86

DATE: 12/24/86

DATE: 1/24/87

DATE: 2/24/87

DATE: 3/24/87

DATE: 4/24/87

DATE: 5/24/87

DATE: 6/24/87

DATE: 7/24/87

DATE: 8/24/87

DATE: 9/24/87

DATE: 10/24/87

DATE: 11/24/87

DATE: 12/24/87

DATE: 1/24/88

DATE: 2/24/88

DATE: 3/24/88

DATE: 4/24/88

DATE: 5/24/88

DATE: 6/24/88

DATE: 7/24/88

DATE: 8/24/88

DATE: 9/24/88

DATE: 10/24/88

DATE: 11/24/88

DATE: 12/24/88

DATE: 1/24/89

DATE: 2/24/89

DATE: 3/24/89

DATE: 4/24/89

DATE: 5/24/89

DATE: 6/24/89

DATE: 7/24/89

DATE: 8/24/89

DATE: 9/24/89

DATE: 10/24/89

DATE: 11/24/89

DATE: 12/24/89

DATE: 1/24/90

DATE: 2/24/90

DATE: 3/24/90

DATE: 4/24/90

DATE: 5/24/90

DATE: 6/24/90

DATE: 7/24/90

DATE: 8/24/90

DATE: 9/24/90

DATE: 10/24/90

DATE: 11/24/90

DATE: 12/24/90

DATE: 1/24/91

DATE: 2/24/91

DATE: 3/24/91

DATE: 4/24/91

DATE: 5/24/91

DATE: 6/24/91

DATE: 7/24/91

DATE: 8/24/91

DATE: 9/24/91

DATE: 10/24/91

DATE: 11/24/91

DATE: 12/24/91

DATE: 1/24/92

DATE: 2/24/92

DATE: 3/24/92

DATE: 4/24/92

DATE: 5/24/92

DATE: 6/24/92

DATE: 7/24/92

DATE: 8/24/92

DATE: 9/24/92

DATE: 10/24/92

DATE: 11/24/92

DATE: 12/24/92

DATE: 1/24/93

DATE: 2/24/93

DATE: 3/24/93

DATE: 4/24/93

DATE: 5/24/93

DATE: 6/24/93

DATE: 7/24/93

DATE: 8/24/93

DATE: 9/24/93

DATE: 10/24/93

DATE: 11/24/93

DATE: 12/24/93

DATE: 1/24/94

DATE: 2/24/94

DATE: 3/24/94

DATE: 4/24/94

DATE: 5/24/94

DATE: 6/24/94

DATE: 7/24/94

DATE: 8/24/94

DATE: 9/24/94

DATE: 10/24/94

DATE: 11/24/94

DATE: 12/24/94

DATE: 1/24/95

DATE: 2/24/95

DATE: 3/24/95

DATE: 4/24/95

DATE: 5/24/95

DATE: 6/24/95

DATE: 7/24/95

DATE: 8/24/95

DATE: 9/24/95

DATE: 10/24/95

DATE: 11/24/95

DATE: 12/24/95

DATE: 1/24/96

DATE: 2/24/96

DATE: 3/24/96

DATE: 4/24/96

DATE: 5/24/96

DATE: 6/24/96

DATE: 7/24/96

DATE: 8/24/96

DATE: 9/24/96

DATE: 10/24/96

DATE: 11/24/96

DATE: 12/24/96

DATE: 1/24/97

DATE: 2/24/97

DATE: 3/24/97

DATE: 4/24/97

DATE: 5/24/97

DATE: 6/24/97

DATE: 7/24/97

DATE: 8/24/97

DATE: 9/24/97

DATE: 10/24/97

DATE: 11/24/97

DATE: 12/24/97

DATE: 1/24/98

DATE: 2/24/98

DATE: 3/24/98

DATE: 4/24/98

DATE: 5/24/98

DATE: 6/24/98

DATE: 7/24/98

DATE: 8/24/98

DATE: 9/24/98

DATE: 10/24/98

DATE: 11/24/98

DATE: 12/24/98

DATE: 1/24/99

DATE: 2/24/99

DATE: 3/24/99

DATE: 4/24/99

DATE: 5/24/99

DATE: 6/24/99

DATE: 7/24/99

DATE: 8/24/99

DATE: 9/24/99

DATE: 10/24/99

DATE: 11/24/99

DATE: 12/24/99

DATE: 1/2000

DATE: 2/2000

DATE: 3/2000

DATE: 4/2000

DATE: 5/2000

DATE: 6/2000

DATE: 7/2000

DATE: 8/2000

DATE: 9/2000

DATE: 10/2000

DATE: 11/2000

DATE: 12/2000

DATE: 1/2001

DATE: 2/2001

DATE: 3/2001

DATE: 4/2001

DATE: 5/2001

DATE: 6/2001

DATE: 7/2001

DATE: 8/2001

DATE: 9/2001

DATE: 10/2001

DATE: 11/2001

DATE: 12/2001

DATE: 1/2002

DATE: 2/2002

DATE: 3/2002

DATE: 4/2002

DATE: 5/2002

DATE: 6/2002

DATE: 7/2002

DATE: 8/2002

DATE: 9/2002

DATE: 10/2002

DATE: 11/2002

DATE: 12/2002

DATE: 1/2003

DATE: 2/2003

DATE: 3/2003

DATE: 4/2003

DATE: 5/2003

DATE: 6/2003

DATE: 7/2003

DATE: 8/2003

DATE: 9/2003

DATE: 10/2003

DATE: 11/2003

DATE: 12/2003

DATE: 1/2004

DATE: 2/2004

DATE: 3/2004

DATE: 4/2004

DATE: 5/2004

DATE: 6/2004

DATE: 7/2004

DATE: 8/2004

DATE: 9/2004

DATE: 10/2004

DATE: 11/2004

DATE: 12/2004

DATE: 1/2005

DATE: 2/2005

DATE: 3/2005

DATE: 4/2005

DATE: 5/2005

DATE: 6/2005

DATE: 7/2005

DATE: 8/2005

DATE: 9/2005

DATE: 10/2005

DATE: 11/2005

DATE: 12/2005

DATE: 1/2006

DATE: 2/2006

DATE: 3/2006

DATE: 4/2006

DATE: 5/2006

DATE: 6/2006

DATE: 7/2006

DATE: 8/2006

DATE: 9/2006

DATE: 10/2006

DATE: 11/2006

DATE: 12/2006

DATE: 1/2007

DATE: 2/2007

DATE: 3/2007

DATE: 4/2007

DATE: 5/2007

DATE: 6/2007

DATE: 7/2007

DATE: 8/2007

DATE: 9/2007

DATE: 10/2007

DATE: 11/2007

DATE: 12/2007

DATE: 1/2008

DATE: 2/2008

DATE: 3/2008

DATE: 4/2008

DATE: 5/2008

DATE: 6/2008

DATE: 7/2008

DATE: 8/2008

DATE: 9/2008

DATE: 10/2008

DATE: 11/2008

DATE: 12/2008

DATE: 1/2009

DATE: 2/2009

DATE: 3/2009

DATE: 4/2009

DATE: 5/2009

DATE: 6/2009

DATE: 7/2009

DATE: 8/2009

DATE: 9/2009

DATE: 10/2009

DATE: 11/2009

DATE: 12/2009

DATE: 1/2010

DATE: 2/2010

DATE: 3/2010

DATE: 4/2010

DATE: 5/2010

DATE: 6/2010

DATE: 7/2010

DATE: 8/2010

DATE: 9/2010

DATE: 10/2010

DATE: 11/2010

DATE: 12/2010

DATE: 1/2011

DATE: 2/2011

DATE: 3/2011

DATE: 4/2011

DATE: 5/2011

DATE: 6/2011

DATE: 7/2011

DATE: 8/2011

DATE: 9/2011

DATE: 10/2011

DATE: 11/2011

DATE: 12/2011

DATE: 1/2012

DATE: 2/2012

DATE: 3/2012

DATE: 4/2012

DATE: 5/2012

DATE: 6/2012

DATE: 7/2012

DATE: 8/2012

DATE: 9/2012

DATE: 10/2012

DATE: 11/2012

DATE: 12/2012

DATE: 1/2013

DATE: 2/2013

DATE: 3/2013

DATE: 4/2013

DATE: 5/2013

DATE: 6/2013

DATE: 7/2013

DATE: 8/2013

DATE: 9/2013

DATE: 10/2013

DATE: 11/2013

DATE: 12/2013

DATE: 1/2014

DATE: 2/2014

DATE: 3/2014

DATE: 4/2014

DATE: 5/2014

DATE: 6/2014

DATE: 7/2014

DATE: 8/2014

DATE: 9/2014

DATE: 10/2014

DATE: 11/2014

DATE: 12/2014

DATE: 1/2015

DATE: 2/2015

DATE: 3/2015

DATE: 4/2015

DATE: 5/2015

DATE: 6/2015

DATE: 7/2015

DATE: 8/2015

DATE: 9/2015

DATE: 10/2015

DATE: 11/2015

DATE: 12/2015

DATE: 1/2016

DATE: 2/2016

DATE: 3/2016

DATE: 4/2016

DATE: 5/2016

DATE: 6/2016

DATE: 7/2016

DATE: 8/2016

DATE: 9/2016

DATE: 10/2016

DATE: 11/2016

DATE: 12/2016

DATE: 1/2017

DATE: 2/2017

DATE: 3/2017

DATE: 4/2017

DATE: 5/2017

DATE: 6/2017

DATE: 7/2017

DATE: 8/2017

DATE: 9/2017

DATE: 10/2017

DATE: 11/2017

DATE: 12/2017

DATE: 1/2018

DATE: 2/2018

DATE: 3/2018

DATE: 4/2018

DATE: 5/2018

DATE: 6/2018

DATE: 7/2018

DATE: 8/2018

DATE: 9/2018

DATE: 10/2018

DATE: 11/2018

DATE: 12/2018

DATE: 1/2019

DATE: 2/2019

DATE: 3/2019

DATE: 4/2019

DATE: 5/2019

DATE: 6/2019

DATE: 7/2019

DATE: 8/2019

DATE: 9/2019

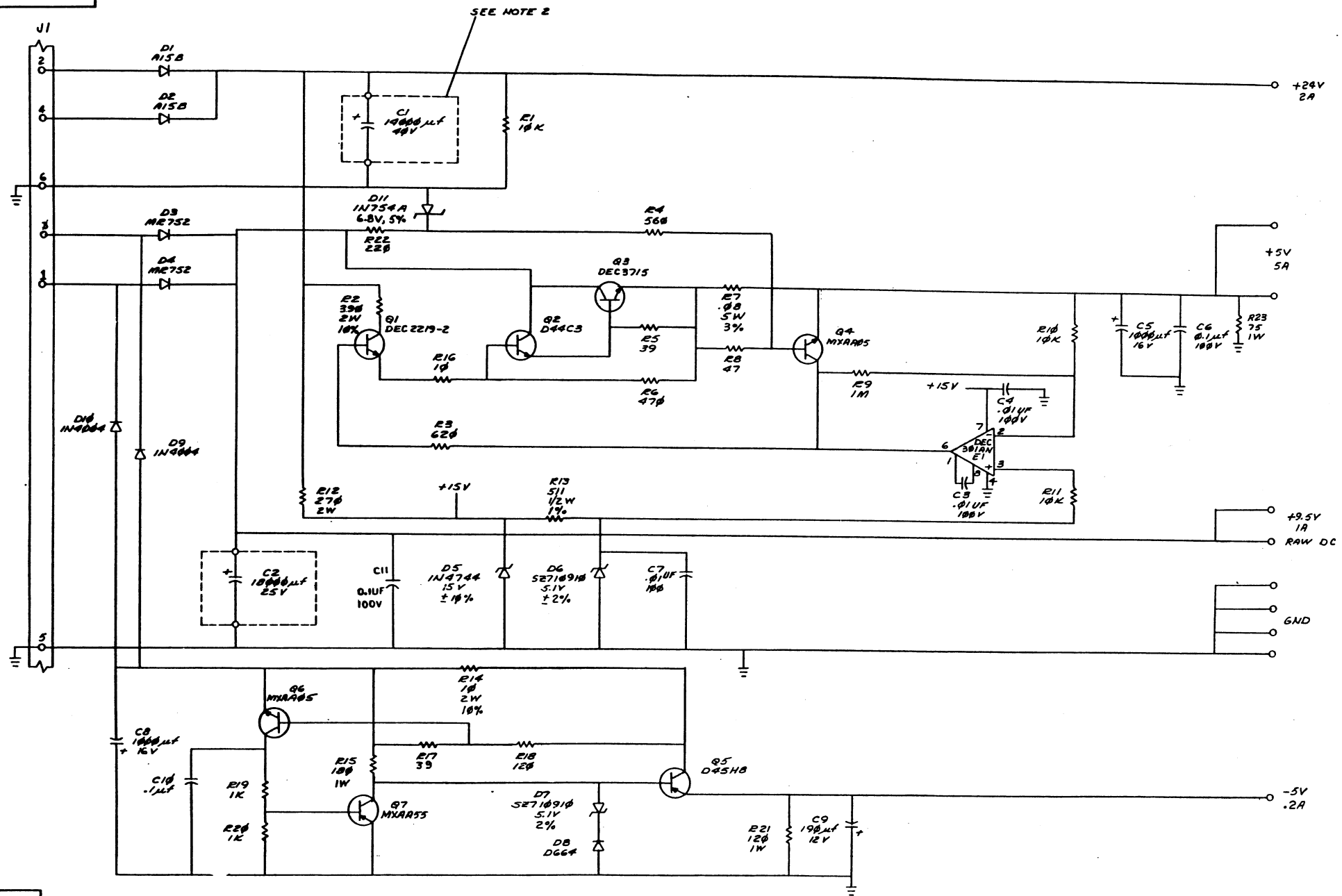
DATE: 10/2019

DATE: 11/2019

DATE: 12/2019

DATE: 1/2020

"THE DIMENSIONS AND SPECIFICATIONS SHOWN ARE THE PROPERTY OF DIGITAL EQUIPMENT CORPORATION AND SHALL NOT BE REPRODUCED OR COPIED IN WHOLE OR IN PART AS THE BASIS FOR THE MANUFACTURE OR SALE OF OTHER EQUIPMENT WITHOUT PERMISSION OF DIGITAL EQUIPMENT CORPORATION."



REVISIONS		
CHK	CHANGE NO.	REV.