

RX8  
FLOPPY  
CONTROLLER

JOHN FOWLER

8A

**digital**

**R X 8**  
**Engineering Drawings**  
Digital Equipment Corporation

The material herein is for information purposes only and is subject to change without notice. Digital Equipment Corporation assumes no responsibility for any errors which may appear herein.

These drawings and specifications herein are the property of Digital Equipment Corporation and shall not be reproduced or copied or used in whole or in part as the basis for the manufacture or sale of items without written permission.  
Copyright © 1975, Digital Equipment Corporation



# DRAWING DIRECTORY

"THIS DRAWING AND SPECIFICATIONS, HEREIN, ARE THE PROPERTY OF DIGITAL EQUIPMENT CORPORATION AND SHALL NOT BE REPRODUCED OR COPIED OR USED IN WHOLE OR IN PART AS THE BASIS FOR THE MANUFACTURE OR SALE OF ITEMS WITHOUT WRITTEN PERMISSION. COPYRIGHT © 1975, DIGITAL EQUIPMENT CORPORATION"

## CUSTOMER PRINT SET INDEX

THIS IS PRINT SET 

--	--	--	--

DRAWING DIRECTORY  
SHIPPING LIST  
RX8 FLOPPY DISK SYSTEM  
RX8-E OMNIBUS INTERFACE  
  
RX8 FLOPPY DISK SYSTEM

SEQUENCE  
B-DD-RX8-Ø  
A-PL-RX8-Ø-1  
D-UA-RX8-Ø-Ø  
D-CS-M8357-Ø-1  
  
A-PL-RX8-Ø-Ø

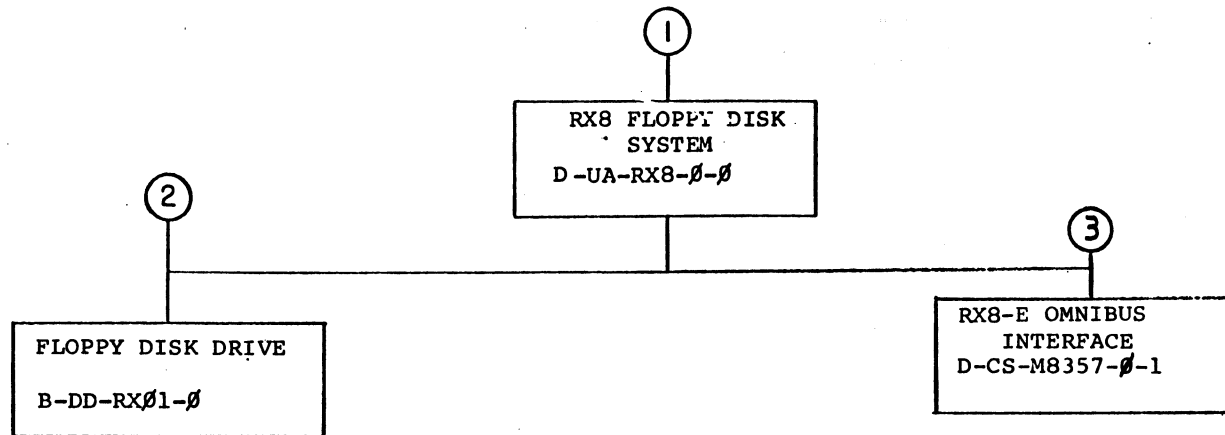
SEQUENCE

UNIT VARIATIONS		PRINT SET			
VAR	TITLE	I			
RX8-AA	RXØ1-AA & RX8 INTERFACE	X			
RX8-AC	RXØ1-AC & RX8 INTERFACE	X			
RX8-AD	RXØ1-AD & RX8 INTERFACE	X			
RX8-BA	RXØ1-BA & RX8 INTERFACE	X			
RX8-BC	RXØ1-BC & RX8 INTERFACE	X			
RX8-BD	RXØ1-BD & RX8 INTERFACE	X			
RX8-DA	RXØ1-DA & RX8 INTERFACE	X			
RX8=DC	RXØ1-DC & RX8 INTERFACE	X			
RX8-DD	RXØ1-DD & RX8 INTERFACE	X			
RX8-E	OMNIBUS INTERFACE (M8357)	X			

REVISIONS		DATE	CHG. NO.	REV
		16 June 75	RX8-1	A

USED ON OPTION/MODEL	DRN. J. Fleming	DATE 2/18/75	TITLE RX8 FLOPPY DISK SYSTEM			
	CHK'D <i>MC</i>	DATE 5/29/75				
	PROJ ENG <i>Chas. G. O'Neil</i>	DATE 5/13/75				
	FIELD SERV. <i>JO Miller</i>	DATE 7/7/75	SIZE B	CODE DD	NUMBER RX8-Ø	REV A
SHEET 1 OF 3		DIST				

DEC 16-1251-1063-1A-R972



TITLE	SHEET 2 OF 3	SIZE CODE	NUMBER	REV
RX8 FLOPPY DISK SYSTEM	B DD	RX8-Ø	A	

CUSTOMER PRINT SET		ELECTRICAL					CUSTOMER PRINT SET		MECHANICAL						
1	MFG. SET	FIND NO.	DRAWING NO.	REV	NO OF SHT	DESCRIPTION	OPTION NO./FILE DATE	1	MFG. SET	FIND NO.	DRAWING NO.	REV	NO OF SHT	DESCRIPTION	OPTION NO./FILE DATE
X		1	B-DD-RX8-Ø	#	3	DRAWING DIRECTORY, RX8		X		1	D-UA-RX8-Ø-Ø	#	1	RX8 FLOPPY DISK SYSTEM	
			A-SP-RX8-Ø-1			CHECKOUT PROCEDURE					A-PL-RX8-Ø-Ø	#	1	RX8 FLOPPY DISK SYSTEM P.L.	
X			A-PI-RX8-Ø-3	#	1	SHIPPING LIST					A-PI-3700185-0-0		2	PACKAGING INSTRUCTIONS	
			A-SP-RX8-Ø-4	#	12	ACCEPTANCE PROCEDURE					A-PI-3700193-0-0			CUSTOMER PACKAGING INSTRUCTIONS	
			A SP-RX8-Ø-5	#	11	RX8E ENGINEERING SPECIFICATION									
X		3	D-CS-M8357-Ø-1	#	3	RX8-E OMNIBUS INTERFACE				2	B-DD-RXØ1-Ø	#	3	FLOPPY DISK DRIVE	
			A-SP-M8357-Ø-7		3	ACCEPTANCE TEST PROCEDURE									

CUSTOMER PRINT SET CODES  
X = PRINT OF DOCUMENT INCLUDED IN PRINT SET  
C = INCLUDES ALL PRINTS INDICATED ON DOCUMENT  
S = CONFIDENTIAL AUTHORIZED SIGNATURE REQUIRED

TITLE: RX8 FLOPPY DISK SYSTEM  
SHEET 3 OF 3  
SIZE CODE: B DD  
NUMBER: RX8-Ø  
REV: A

**DIGITAL EQUIPMENT CORPORATION**  
MAYNARD, MASSACHUSETTS  
**PARTS LIST**

MADE BY <i>McCarthy</i>	CHECKED <i>McCarthy</i>	SECTION 1
DATE <i>5/12/75</i>	DATE <i>5/29/75</i>	
ENG <i>Chambers</i>	PROD <i>J. Muller</i>	ISSUED SECT. 1
DATE <i>6/13/75</i>	DATE <i>6/13/75</i>	

**QUANTITY / VARIATION**

ITEM NO.	DWG NO. / PART NO.	DESCRIPTION	QUANTITY / VARIATION												
			RX8-AA	RX8-AC	RX8-AD	RX8-BA	RX8-BC	RX8-BD	RX8-E						
1	E-UA-RX01-AA-0	SINGLE FLOPPY DISK SYSTEM, 115V, 60HZ	1	-	-	-	-	-	-	-	-				
2	E-UA-RX01-AC-0	SINGLE FLOPPY DISK SYSTEM, LOW VOLT, 50HZ	-	1	-	-	-	-	-	-	-				
3	E-UA-RX01-AD-0	SINGLE FLOPPY DISK SYSTEM, HIGH VOLT, 50HZ	-	-	1	-	-	-	-	-	-				
4	E-UA-RX01-BA-0	DUAL FLOPPY DISK SYSTEM, 115V, 60HZ	-	-	-	1	-	-	-	-	-				
5	E-UA-RX01-BC-0	DUAL FLOPPY DISK SYSTEM, LOW VOLT, 50HZ	-	-	-	-	1	-	-	-	-				
6	E-UA-RX01-BD-0	DUAL FLOPPY DISK SYSTEM, HIGH VOLT, 50HZ	-	-	-	-	-	1	-	-	-				
7	D-CS-M8357-0-1	OMNIBUS INTERFACE	1	1	1	1	1	1	1	1	1				
8	<del>EM-0000</del> 2	DRAWING DIRECTORY, RX01	1	1	1	1	1	1	1	1	-				
9	<del>EM-0000</del> 3	DRAWING DIRECTORY, RX8	1	1	1	1	1	1	1	1	-				
10	EK-RX01-MM	RX8/RX11 MAINTAINENCE MANUAL	1	1	1	1	1	1	1	1	-				
11	3612408-00	DISKETTE	1	1	1	2	2	2	2	2	-				
12	A-PI-3700185-0-0	PACKAGING INSTRUCTIONS	1	1	1	1	1	1	1	1	1				
13	ZF220RB	RX8 DIAGNOSTIC KIT	1	1	1	1	1	1	1	1	-				
14	A-PI-3700193-0-0	CUSTOMER PACKAGING INSTRUCTIONS	1	1	1	1	1	1	1	1	1				

TITLE SHIPPING LIST, RX8	ASSY NO. <i>—————</i>	SIZE <b>A</b>	CODE <b>PL</b>	NUMBER RX8-0-3	REV.	ECO NO.
SHEET 1 OF 1						

THIS DRAWING AND SPECIFICATIONS HEREIN ARE THE PROPERTY OF DIGITAL EQUIPMENT CORPORATION AND SHALL NOT BE REPRODUCED OR COPIED OR USED IN WHOLE OR IN PART AS THE BASIS FOR THE MANUFACTURE OR SALE OF ITEMS WITHOUT WRITTEN PERMISSION.  
 COPYRIGHT © 1975, DIGITAL EQUIPMENT CORPORATION

0-0-8XB-0-0 2

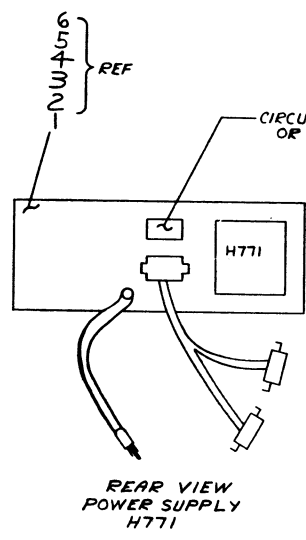
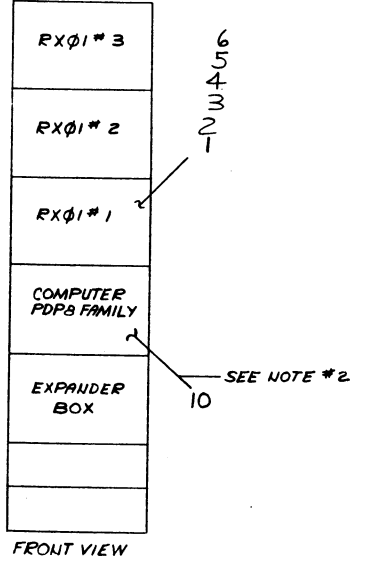
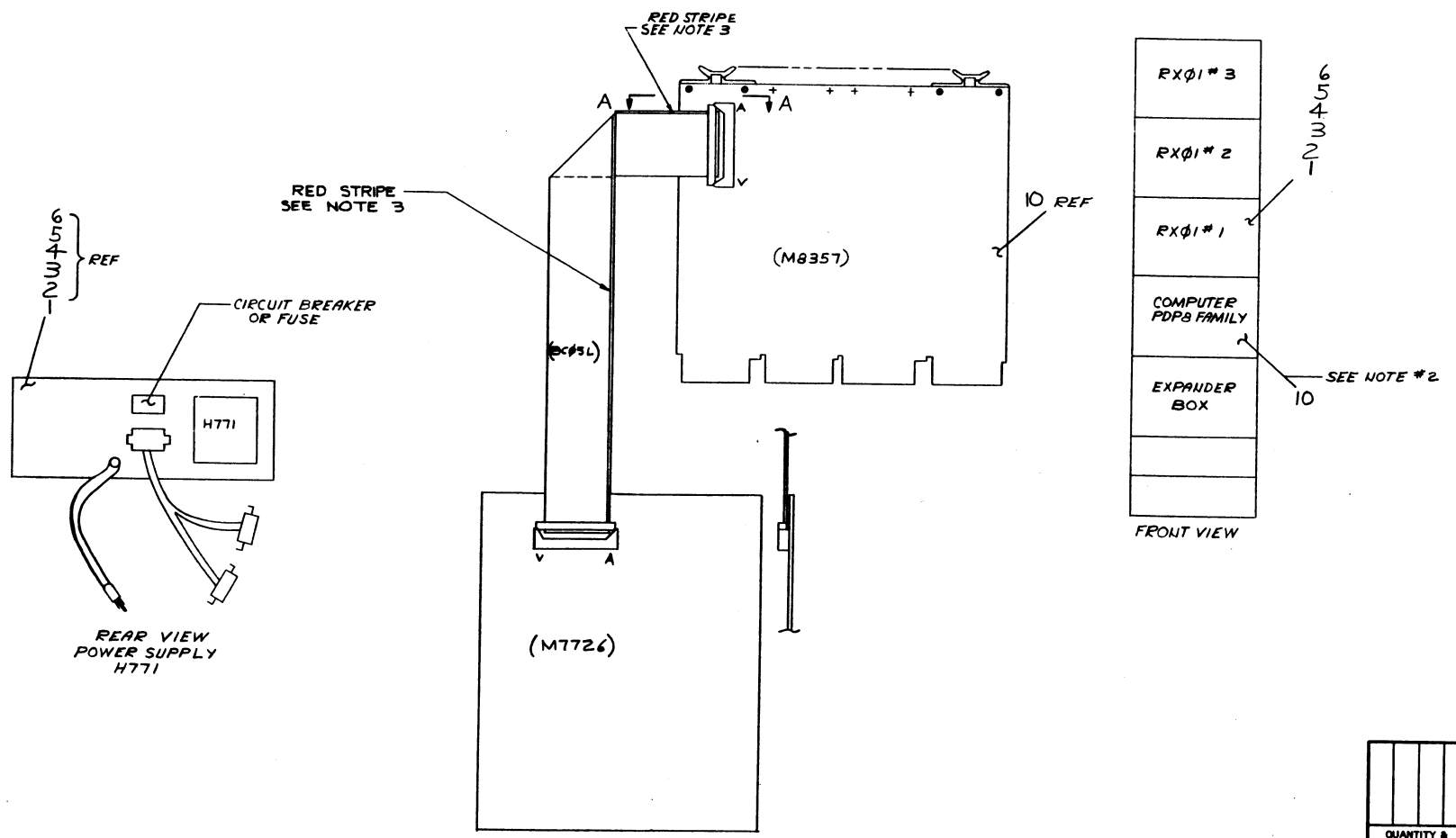
LEGEND

NUMBER	VARIATION
RXB-AA	RXØ1-AA ≠ RXØ-E INTERFACE, 115 V, 60 HZ
RXB-AC	RXØ1-AC ≠ RXØ-E INTERFACE, LOW V, 50 HZ
RXB-AD	RXØ1-AD ≠ RXØ-E INTERFACE, HIGH V, 50 HZ
RXB-BA	RXØ1-BA ≠ RXØ-E INTERFACE, 115 V, 60 HZ
RXB-BC	RXØ1-BC ≠ RXØ-E INTERFACE, LOW V, 50 HZ
RXB-BD	RXØ1-BD ≠ RXØ-E INTERFACE, HIGH V, 50 HZ
RXB-DA	RXØ1-DA ≠ RXØ-E INTERFACE, 115 V, 60 HZ
RXB-DC	RXØ1-DC ≠ RXØ-E INTERFACE, LOW V, 50 HZ
RXB-DD	RXØ1-DD ≠ RXØ-E INTERFACE, HIGH V, 50 HZ
RXB-E	OMNIBUS INTERFACE (MØ357)

NOTES:

- ONE (1) BCØ5L CABLE SUPPLIED WITH EACH RXØ1.
- ONE (1) MØ357 (RXØ-E) MODULE REQ'D FOR EACH RXØ1. FOR TWO (2) OR MORE RXØ1'S, CHANGE IOT CODES PER DRAWING D-CS-MØ357-0-1 FOR EACH RXØ1 BEYOND #1.
- RED STRIPE ON BCØ5L CABLE INDICATES PIN "A" ON CONNECTOR.

VIEW A-A



DESCRIPTION		DWG. PART NO.	ITEM NO.				
UNLESS OTHERWISE SPECIFIED DIMENSIONS ARE IN INCHES							
ANGLES 45° 90°	CLASS OF ACCURACY (CHECK ONE)	NOMINAL DIMENSION RANGE INCHES					
		OVER 0 TO 0.2	0.2 TO 0.5	0.5 TO 1.0	1.0 TO 2.0	2.0 TO 4.0	4.0 TO 12.0
SURFACE QUALITY IN	MEDIUM	±.004	±.005	±.012	±.018	±.004	±.04
		±.012	±.018	±.026	±.04	±.003	±0.1
QUANTITY & VARIATION	MICRONCHES	PREFERRED					
THIRD ANGLE PROJECTION	DRN: <i>J. P. ...</i>	3/9/75	FIRST USED ON PDP8 FAMILY				
REMOVE BURRS AND BREAK SHARP CORNERS	CHK'D: <i>J. P. ...</i>	3/10/75	TITLE				
DO NOT SCALE DWG	ENGR: <i>J. P. ...</i>	3/10/75	RX8 FLOPPY DISK SYSTEM				
MATERIAL	PROJ: <i>J. P. ...</i>	3/10/75					
FINISH	PROD: <i>J. P. ...</i>	3/10/75					
	NEXT HIGHER ASSY.						
	B-DD-RXB-Ø-Ø	SIZE	CODE				
	SCALE NONE	D	JA				
		RX8-Ø-Ø	NUMBER				
			REV.				

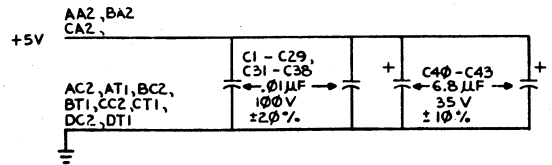
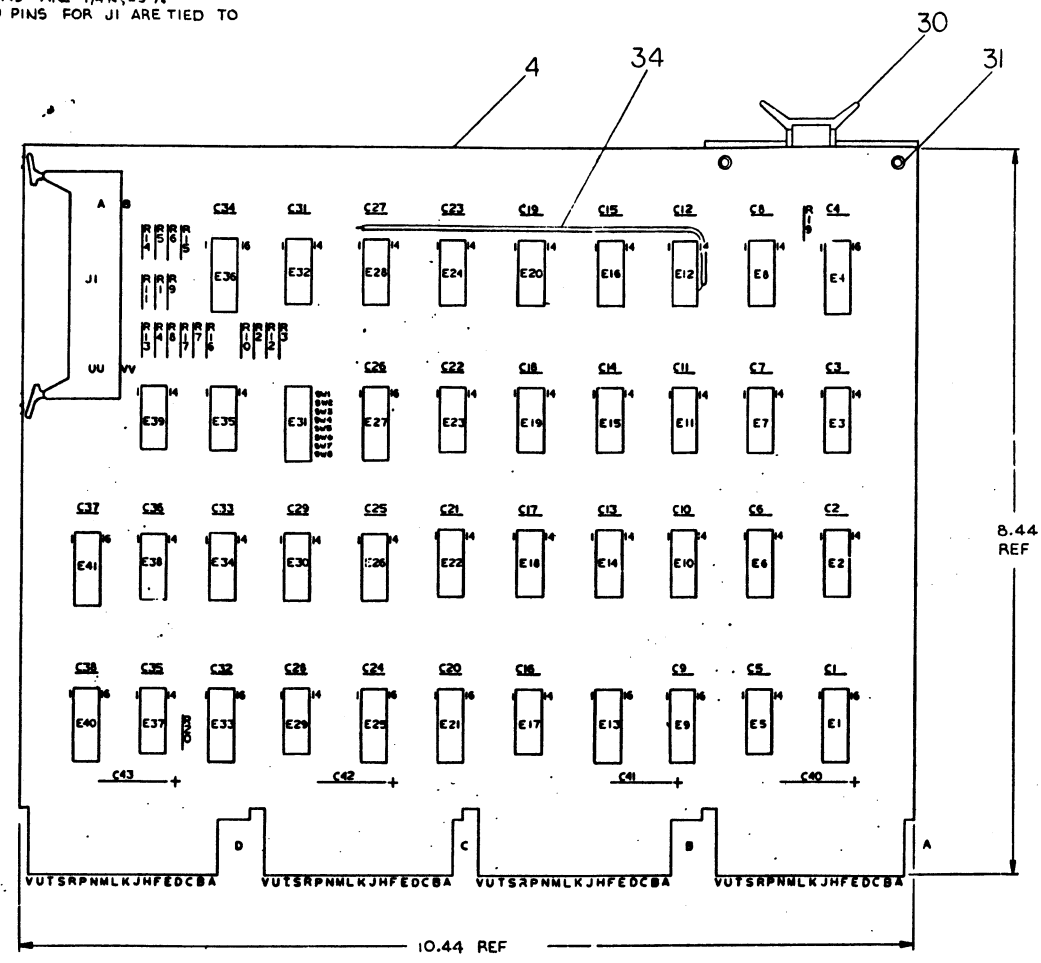
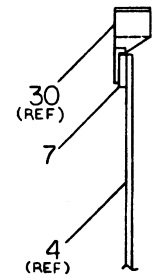
REVISIONS  
 CHANGE NO.  
 CHK

10 FORM NO. 1-1980

D JA RX8-Ø-Ø

THIS DRAWING AND SPECIFICATIONS HEREON ARE THE PROPERTY OF DIGITAL EQUIPMENT CORPORATION AND SHALL NOT BE REPRODUCED OR COPIED OR USED IN WHOLE OR IN PART AS THE BASIS FOR THE MANUFACTURE OR SALE OF ITEMS WITHOUT WRITTEN PERMISSION.  
 COPYRIGHT © 1974, DIGITAL EQUIPMENT CORPORATION

**NOTES:**  
 1. UNLESS OTHERWISE SPECIFIED:  
 A. ALL RESISTORS ARE 1/4W, ±5%.  
 B. ALL UNUSED PINS FOR J1 ARE TIED TO GND



8640	1	8
8637	8	16
74161	8	16
74H106	13	5
7442	8	16
314	1	8
8271	8	16
384	1	8
ID TYPE	GND	+5V

GND AND 5V ARE USUALLY PIN 7 AND 14 RESPECTIVELY EXCEPTIONS ARE STATED ABOVE  
 IC PIN LOCATIONS

REF	X-Y COORDINATE HOLE LOCATION	K-CO-MB357-0-4	1
REF	ASSY/DRILLING HOLE LAYOUT	D-AH-MB357-0-5	2
REF	MODULE ECO HISTORY	B-MH-MB357-0-6	3
1	ETCHED CIRCUIT BOARD	5011374	4
37	C1 - C29, C31 - C38	CAP .01UF 100V 20% DISC	1001610 - 01 5
4	C40 - C43	CAP 6.8UF 35V 10% STANT	1005306 - 00 6
4		SPACER, CABLE CLAMP	1202704 - 00 7
1	J1	CONN 40 PIN RT ANGLE HDR	1209941 - 02 8
1	E31	SWITCH SPST (8) DIP PACK	1211164 - 04 9
8	R10 - R17	RES 390 1/4W 5%	1300309 - 00 10
8	R1 - R8	RES 180 1/4W 5%	1301322 - 00 11
2	R19 - R20	RES 10K 1/4W 5%	1300479 - 00 12
6	E2, E7, E15, E22, E26, E30	IC 7474	1905547 - 00 13
3	E12, E24, E34	IC 7400	1905575 - 00 14
2	E3, E10	IC 7410	1905576 - 00 15
1	E28	IC 7420	1905577 - 00 16
3	E6, E19, E23	IC 7402	1909004 - 00 17
1	E39	IC 384	1909485 - 00 18
3	E9, E21, E33	IC 8271	1909615 - 00 19
3	E8, E32, E38	IC 7404	1909686 - 00 20
1	E35	IC 314	1909704 - 00 21
6	E5, E14, E17, E18, E29, E37	IC 8881	1909705 - 00 22
1	E41	IC 7442	1910046 - 00 23
1	E16	IC 7408	1910155 - 00 24
1	E27	IC 74H106	1910408 - 00 25
1	E4	IC 74161	1910650 - 00 26
1	E20	IC 7427	1910878 - 00 27
4	E1, E25, E36, E40	IC 8837	1911116 - 00 28
1	E11	IC 9640	1911469 - 00 29
4		HANDLE, FLIP-CHIP MAGENTA	9008337 - 6 30
8		EYELET	9006750 - 00 31
1	(J1)	LATCH, LEFT FOR RT ANG HEADER	1209941 - 03 32
1	(J1)	LATCH, RIGHT FOR RT ANG HEADER	1209941 - 04 33
A/R		WIRE, REWORK	9105740 - 55 34
1	A9	RES 120 1/4W 5%	1300247 - 00 35

QTY	REF. DESIGNATION	DESCRIPTION	PART NO.	ITEM NO.
	RX8E	ETCH BOARD REV. B		

DATE	11/23/74	
DATE	11/23/74	
DATE	11/23/74	
DATE	11/23/74	
TITLE		RX8-E
TITLE		OMNIBUS INTERFACE
SCALE	1 OF 3	
SIZE CODE	D CS	
P. NUMBER	M8357-0-1	
REV.	B	

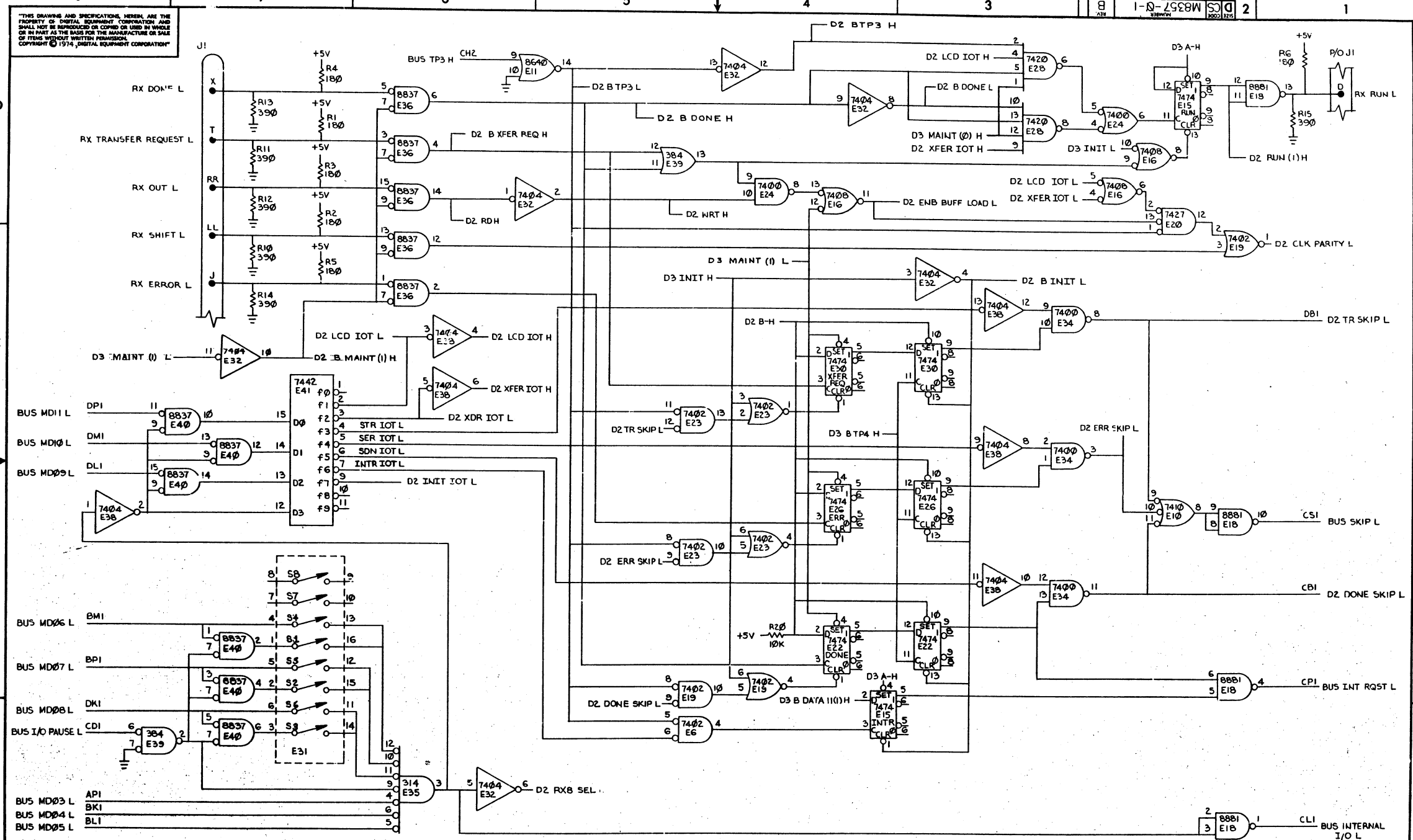
DESIGNED BY	DATE
CHECKED BY	DATE
APPROVED BY	DATE
CHANGE NO.	
REVISIONS	

DEC NO.	EIA NO.	DEC NO.	EIA NO.
SEMICONDUCTOR CONVERSION CHART			

MB357-0-1

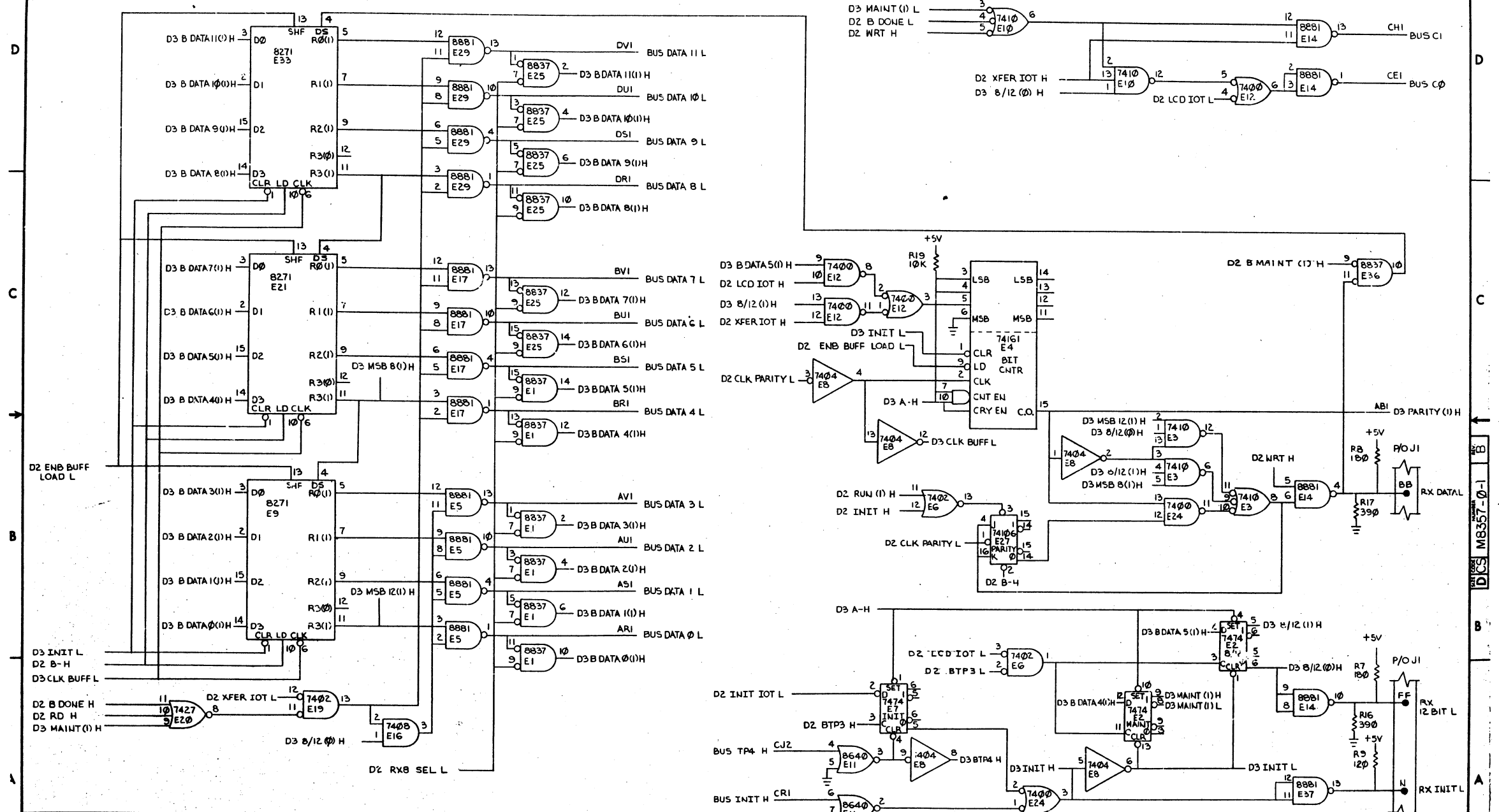


"THIS DRAWING AND SPECIFICATIONS, HEREIN, ARE THE PROPERTY OF DIGITAL EQUIPMENT CORPORATION AND SHALL NOT BE REPRODUCED OR COPIED OR USED IN WHOLE OR IN PART AS THE BASIS FOR THE MANUFACTURE OR SALE OF ITEMS WITHOUT WRITTEN PERMISSION. COPYRIGHT © 1974, DIGITAL EQUIPMENT CORPORATION"



REVISIONS													(DEVICE SELECT, IOT DECODE & RXOI CONTROL LOGIC)			
CHK	CHANGE NO.	REV.											TITLE	SIZE/REV	NUMBER	REV.
													RX8-E (D2)	D CS	M8357-0-1	B
													SCALE	SHEET	OF	DIST.
													7-7	2	3	

"THIS DRAWING AND SPECIFICATIONS, HEREIN, ARE THE PROPERTY OF DIGITAL EQUIPMENT CORPORATION AND SHALL NOT BE REPRODUCED OR COPIED OR USED IN WHOLE OR IN PART AS THE BASIS FOR THE MANUFACTURE OR SALE OF ITEMS WITHOUT WRITTEN PERMISSION. COPYRIGHT © 1974, DIGITAL EQUIPMENT CORPORATION"



REVISIONS

CHK	CHANGE NO.	REV.

(TRANSFER REGISTER & RX01 CONTROL LOGIC)

TITLE	RX8-E (D3)	SIZE	8004	SHEET	3	OF	3	DIST.	M8357-0-1	REV.	B
SCALE											

**DIGITAL EQUIPMENT CORPORATION**  
MAYNARD, MASSACHUSETTS

**PARTS LIST**

MADE BY B. McCarthy	CHECKED <i>B. McCarthy</i>	SECTION
DATE 5/12/75	DATE <i>5/29/75</i>	1
ENG	PROD	ISSUED SECT.
DATE <i>6/13/75</i>	DATE <i>J. Miller</i>	1

QUANTITY / VARIATION

ITEM NO.	DWG NO. / PART NO.	DESCRIPTION	RX8-AA	RX8-AC	RX8-AD	RX8-BA	RX8-BC	RX8-BD	RX8-DA	RX8-DC	RX8-DD	RX8-E
			1	E-UA-RX01-AA-0	SINGLE FLOPPY DISK, 115V, 60HZ	1	-	-	-	-	-	-
2	E-UA-RX01-AC-0	SINGLE FLOPPY DISK, LOW V, 50HZ	-	1	-	-	-	-	-	-	-	-
3	E-UA-RX01-AD-0	SINGLE FLOPPY DISK, HIGH V, 50 HZ	-	-	1	-	-	-	-	-	-	-
4	E-UA-RX01-BA-0	DUAL FLOPPY DISK, 115V, 60HZ	-	-	-	1	-	-	-	-	-	-
5	E-UA-RX01-BC-0	DUAL FLOPPY DISK, LOW V, 50 HZ	-	-	-	-	1	-	-	-	-	-
6	E-UA-RX01-BD-0	DUAL FLOPPY DISK, HIGH V, 50HZ	-	-	-	-	-	1	-	-	-	-
7	E-UA-RX01-DA-0	RX01-BA W/O BEZEL ASSY	-	-	-	-	-	-	1	-	-	-
8	E-UA-RX01-DC-0	RX01-BC W/O BEZEL ASSY	-	-	-	-	-	-	-	1	-	-
9	E-UA-RX01-DD-0	RX01-BD W/O BEZEL ASSY	-	-	-	-	-	-	-	-	1	-
10	D-CS-M8357-0-1	RX8-E OMNIBUS INTERFACE	1	1	1	1	1	1	1	1	1	1
REF	A-PL-3700185-0-0	IN-PLANT PACKAGING INSTRUCTIONS										
REF	A-FI-3700193-0-0	CUSTOMER PACKAGING INSTRUCTIONS										

TITLE RX8 FLOPPY DISK SYSTEM	ASSY NO. D-UA-RX8-0-0	SIZE CODE A PL	NUMBER RX8-0-0	REV.	ECO NO.
SHEET 1 OF 1	DIST.				