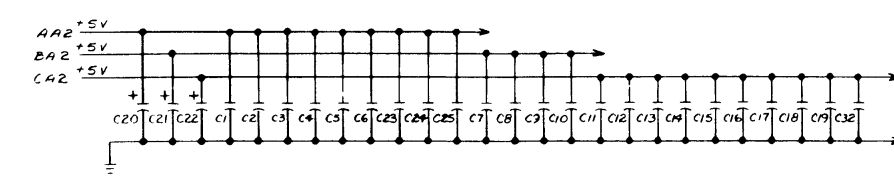
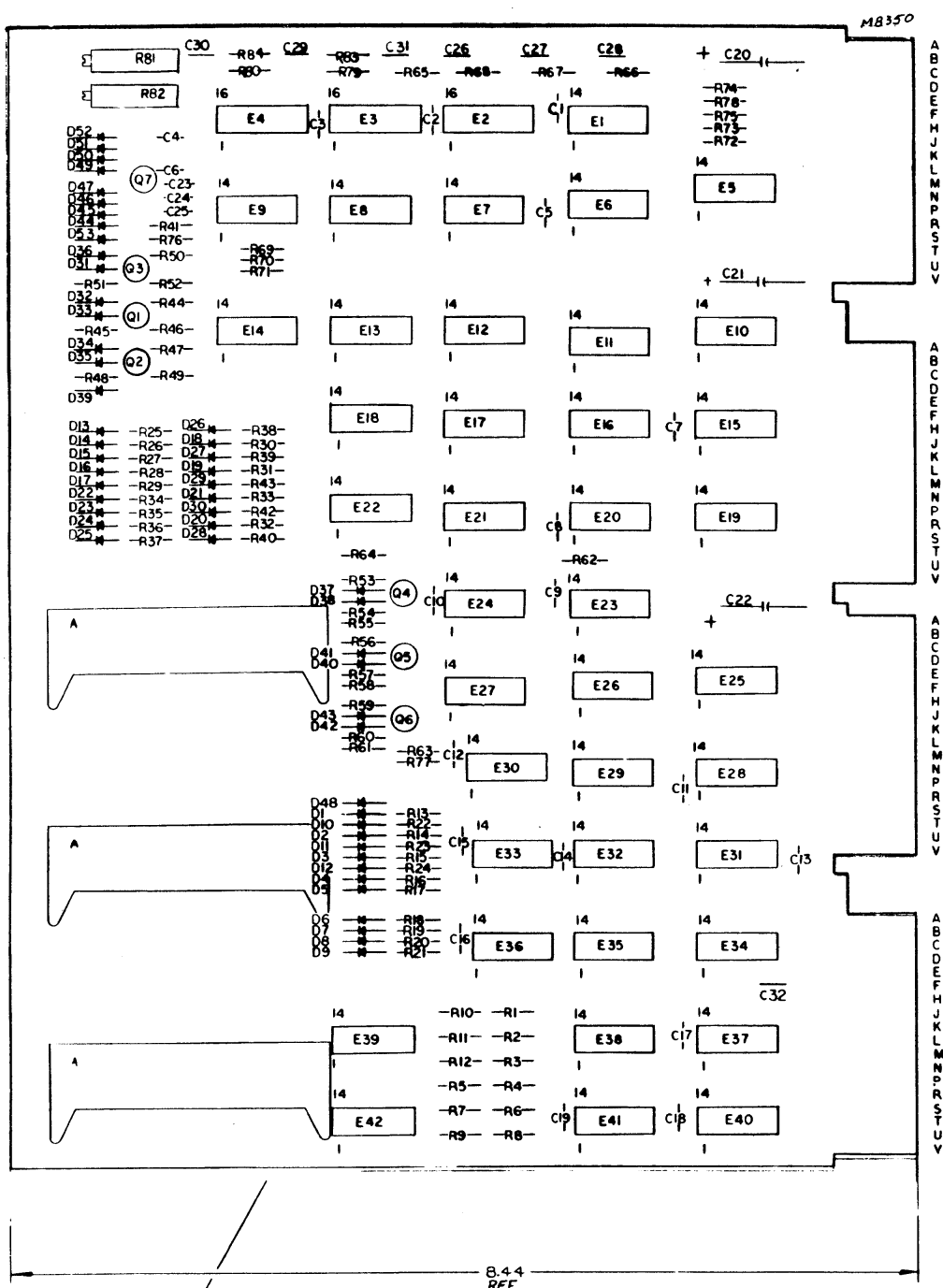
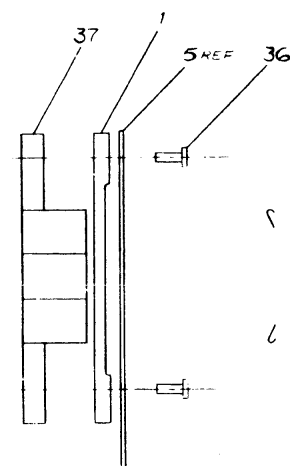


NOTES:
 1. UNLESS OTHERWISE NOTED,
 CAPACITOR 514F 100V 21%
 RESISTOR 220 1/4W 5%



IC TYPE	GRID	±5V
DEC 2501	N NE NW NE	
DEC 74123	5 16	
DEC 6380	7 8	
DIC 384	1 6	

QTY.	REF DESIGNATION	DESCRIPTION	PART NO.	QTY.
2	R84, R83	RES 470K 1/4W 5%	1302398	40
1	C29	CAP 33 PF, 100V 5% D.M.	1000009	31
1		GRIPLET	1210244-C	1
4		HANDLE FLIP CHIP - MAGENTA	9008337-C6	17
8		EYELET GS 4-11 STAMPSCA	9006750	14
3	E2, E3, E4	IC DEC 74123	1910426	15
2	E23, E42	IC DEC 2501	1910010	14
5	E10, E16, E16, E20, E30	IC DEC 6380	1909971	13
4	E13, E18, E22, E27	IC DEC 7417	1909929	12
5	E17, E21, E33, E36	IC DEC 7416	1909928	31
6	E125, E28, E31, E34, E40	IC DEC 8881	1909705	12
3	E26, E38, E41	IC DEC 7404	1909686	29
4	E15, E32, E35, E37	IC DEC 384	1909486	13
1	E29	IC DEC 7402	1909004	17
1	E39	IC DEC 7430	1905578	14
1	E24	IC DEC 7420	1905577	15
2	E5, E8	IC DEC 7410	1905576	24
1	E11	IC DEC 7400	1905575	14
4	E6, E7, E9, E19	IC DEC 7474	1905547	14
7	Q1 THRU Q7	TRANSISTOR DEC 3009B	1503100	21
2	R81, R82	RES 60K 3/4W 10% 76 PR	1307143-13	20
1	R79	RES 4.7K 1/4W 5%	1300447	11
4	R65 THRU R68	RES 6.8K 1/4W 5%	1301423	15
6	R50, R49, R47, R53, R54, R59	RES 27 1/4W 10%	1301420	17
1	R80	RES 5.6K 1/4W 5%	1301874	11
68	R1 THRU R43, R45, R46, R48, R49, R51, R52, R54, R55, R57, R58, R60, R61 THRU R64, R69 THRU R78	RES 220 1/4W 5%	1300271	15
3		HEADER RIGHT ANGLE	1209941	14
43	D1 THRU D43	DIODE D664	1100114	13
10	D44 THRU D53	DIODE D662	1100113	12
23	C1 THRU C19, C23, C24, C25, C32	CAP .01UF, 100V, 20% DISC	1001610	11
3	C20, C21, C22	CAP 6.8UF, 35V, 10% S-TAAT	1005206	10
1	C30	CAP 150PF, 100V, 5% D.M.	1000019	7
2	C27, C28	CAP 68PF, 100V, 5% D.M.	1000014	7
1	C26	CAP 33PF, 100V, 5% D.M.	1000010	7
2	C31, C26	CAP 10PF, 100V, 5% D.M.	1000006	6
1		ETCHED CIRCUIT BOARD	5009594	5
REF		MODULE ECO HISTORY	B-MH-MB350-0-1	4
REF		ASSY/DRILLING HOLE LAYOUT	D-AH-MB350-0-1	3
REF		X-Y COORDINATE HOLE LAYOUT	K-CO-MB350-0-1	2
4		SPACER (CABLE CLAMP)	1202704	1

ETCH BOARD REV C

SEMICONDUCTOR CONVERSION CHART

DATE: 5-3-71

FILE: POSITIVE I/O BUS INTERFACE

DEC NO. EIA NO. DEC NO. EIA NO.

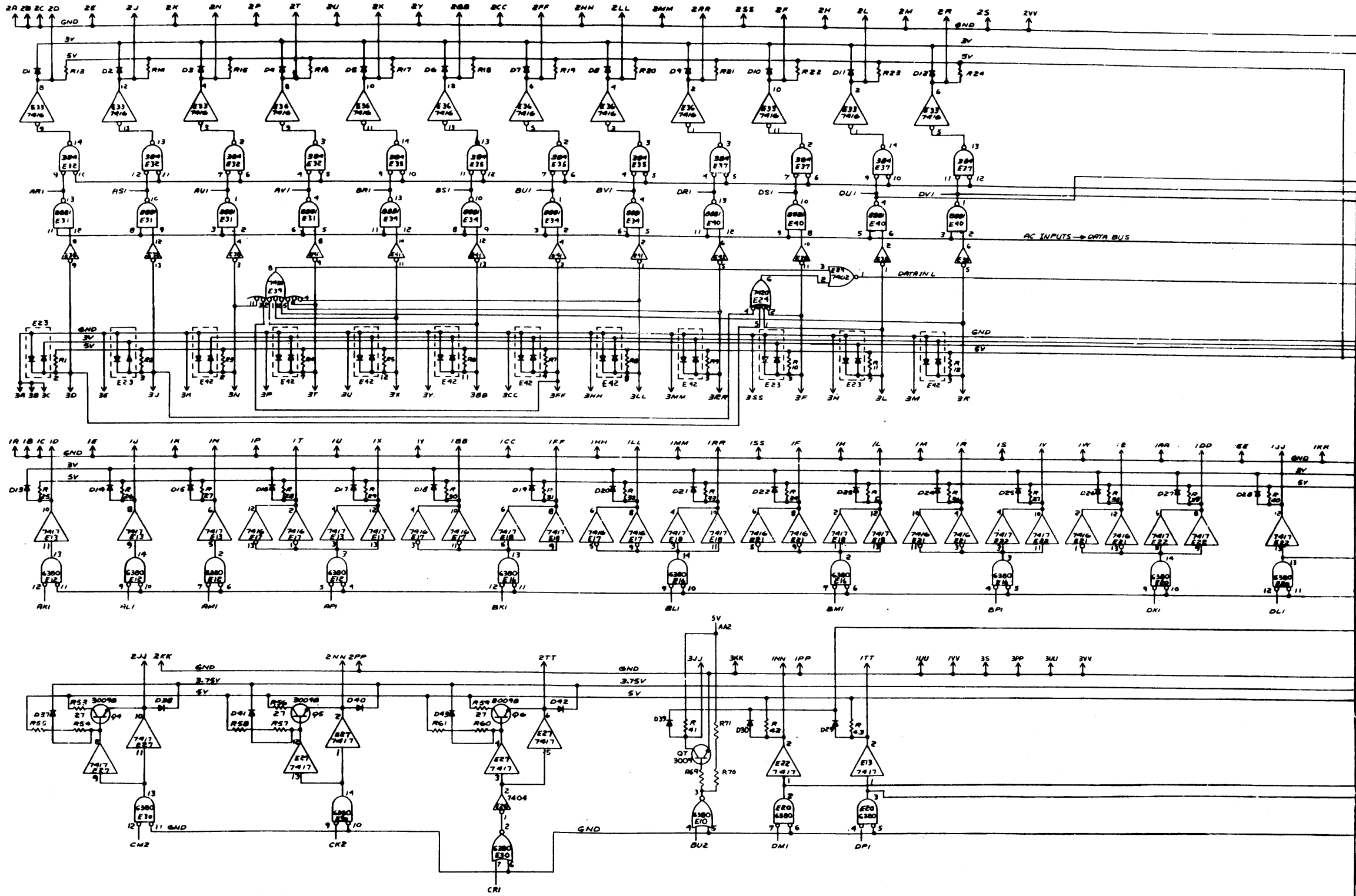
DEC 3009B 2N 3009B
 D664 1N 3606
 D662 1N 3645

DATE: 5-3-71

FILE: POSITIVE I/O BUS INTERFACE

DEC NO. EIA NO. DEC NO. EIA NO.

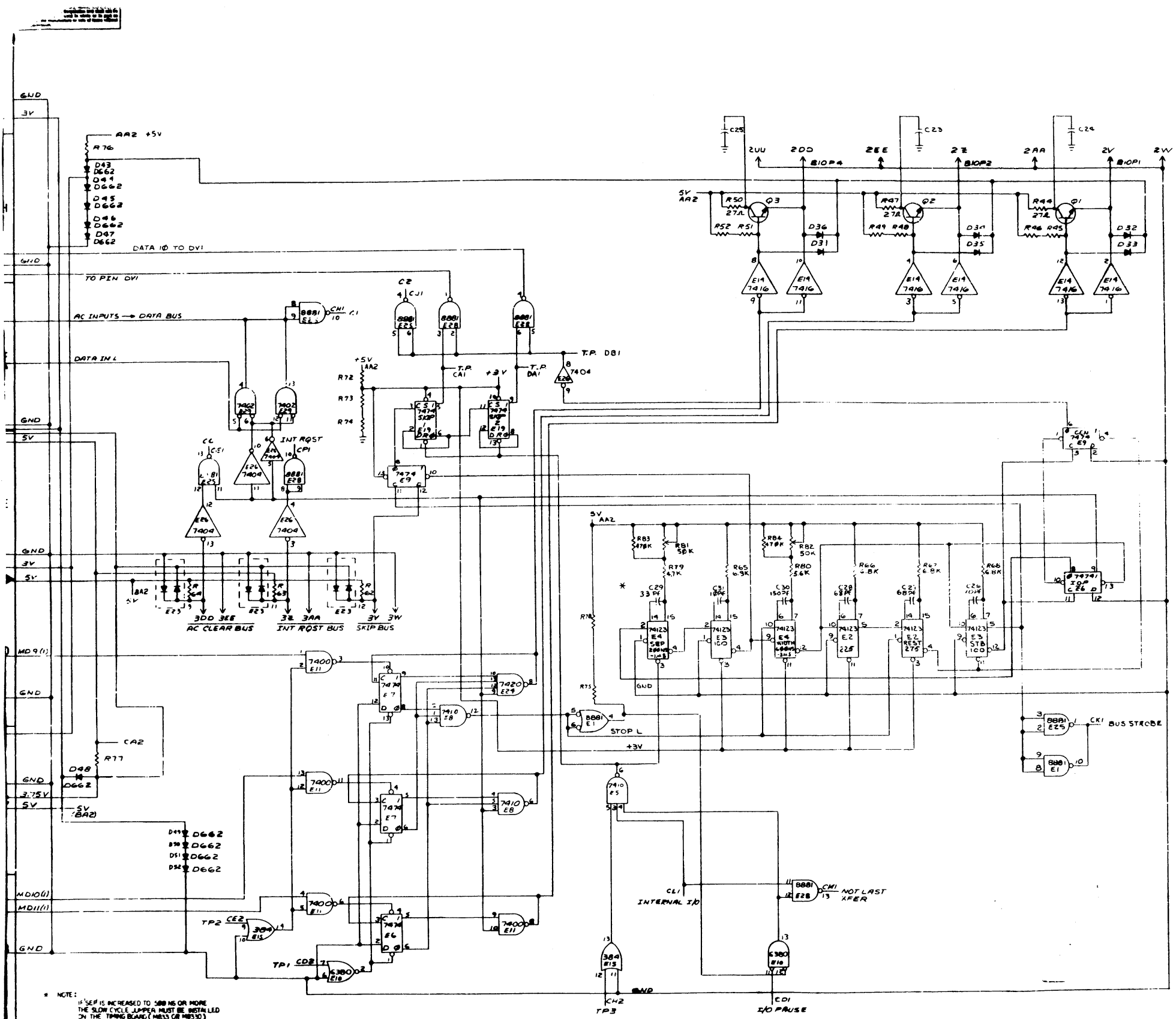
DEC 3009B 2N 3009B
 D664 1N 3606
 D662 1N 3645



REV	DESCRIPTION	DATE	BY
1	POF 0/E		
2	UNLESS OTHERWISE SPECIFIED		
3	PERFORMED IN ACCORDANCE WITH THE		
4	USE THE BEST AVAILABLE QUALITY		
5	FOR THE PURPOSES OF THIS DRAWING		
6	USE THE BEST AVAILABLE QUALITY		
7	FOR THE PURPOSES OF THIS DRAWING		
8	USE THE BEST AVAILABLE QUALITY		
9	FOR THE PURPOSES OF THIS DRAWING		
10	USE THE BEST AVAILABLE QUALITY		
11	FOR THE PURPOSES OF THIS DRAWING		
12	USE THE BEST AVAILABLE QUALITY		
13	FOR THE PURPOSES OF THIS DRAWING		
14	USE THE BEST AVAILABLE QUALITY		
15	FOR THE PURPOSES OF THIS DRAWING		
16	USE THE BEST AVAILABLE QUALITY		
17	FOR THE PURPOSES OF THIS DRAWING		
18	USE THE BEST AVAILABLE QUALITY		
19	FOR THE PURPOSES OF THIS DRAWING		
20	USE THE BEST AVAILABLE QUALITY		
21	FOR THE PURPOSES OF THIS DRAWING		
22	USE THE BEST AVAILABLE QUALITY		
23	FOR THE PURPOSES OF THIS DRAWING		
24	USE THE BEST AVAILABLE QUALITY		
25	FOR THE PURPOSES OF THIS DRAWING		
26	USE THE BEST AVAILABLE QUALITY		
27	FOR THE PURPOSES OF THIS DRAWING		
28	USE THE BEST AVAILABLE QUALITY		
29	FOR THE PURPOSES OF THIS DRAWING		
30	USE THE BEST AVAILABLE QUALITY		
31	FOR THE PURPOSES OF THIS DRAWING		
32	USE THE BEST AVAILABLE QUALITY		
33	FOR THE PURPOSES OF THIS DRAWING		
34	USE THE BEST AVAILABLE QUALITY		
35	FOR THE PURPOSES OF THIS DRAWING		
36	USE THE BEST AVAILABLE QUALITY		
37	FOR THE PURPOSES OF THIS DRAWING		
38	USE THE BEST AVAILABLE QUALITY		
39	FOR THE PURPOSES OF THIS DRAWING		
40	USE THE BEST AVAILABLE QUALITY		
41	FOR THE PURPOSES OF THIS DRAWING		
42	USE THE BEST AVAILABLE QUALITY		
43	FOR THE PURPOSES OF THIS DRAWING		
44	USE THE BEST AVAILABLE QUALITY		
45	FOR THE PURPOSES OF THIS DRAWING		
46	USE THE BEST AVAILABLE QUALITY		
47	FOR THE PURPOSES OF THIS DRAWING		
48	USE THE BEST AVAILABLE QUALITY		
49	FOR THE PURPOSES OF THIS DRAWING		
50	USE THE BEST AVAILABLE QUALITY		
51	FOR THE PURPOSES OF THIS DRAWING		
52	USE THE BEST AVAILABLE QUALITY		
53	FOR THE PURPOSES OF THIS DRAWING		
54	USE THE BEST AVAILABLE QUALITY		
55	FOR THE PURPOSES OF THIS DRAWING		
56	USE THE BEST AVAILABLE QUALITY		
57	FOR THE PURPOSES OF THIS DRAWING		
58	USE THE BEST AVAILABLE QUALITY		
59	FOR THE PURPOSES OF THIS DRAWING		
60	USE THE BEST AVAILABLE QUALITY		
61	FOR THE PURPOSES OF THIS DRAWING		
62	USE THE BEST AVAILABLE QUALITY		
63	FOR THE PURPOSES OF THIS DRAWING		
64	USE THE BEST AVAILABLE QUALITY		
65	FOR THE PURPOSES OF THIS DRAWING		
66	USE THE BEST AVAILABLE QUALITY		
67	FOR THE PURPOSES OF THIS DRAWING		
68	USE THE BEST AVAILABLE QUALITY		
69	FOR THE PURPOSES OF THIS DRAWING		
70	USE THE BEST AVAILABLE QUALITY		
71	FOR THE PURPOSES OF THIS DRAWING		
72	USE THE BEST AVAILABLE QUALITY		
73	FOR THE PURPOSES OF THIS DRAWING		
74	USE THE BEST AVAILABLE QUALITY		
75	FOR THE PURPOSES OF THIS DRAWING		
76	USE THE BEST AVAILABLE QUALITY		
77	FOR THE PURPOSES OF THIS DRAWING		
78	USE THE BEST AVAILABLE QUALITY		
79	FOR THE PURPOSES OF THIS DRAWING		
80	USE THE BEST AVAILABLE QUALITY		
81	FOR THE PURPOSES OF THIS DRAWING		
82	USE THE BEST AVAILABLE QUALITY		
83	FOR THE PURPOSES OF THIS DRAWING		
84	USE THE BEST AVAILABLE QUALITY		
85	FOR THE PURPOSES OF THIS DRAWING		
86	USE THE BEST AVAILABLE QUALITY		
87	FOR THE PURPOSES OF THIS DRAWING		
88	USE THE BEST AVAILABLE QUALITY		
89	FOR THE PURPOSES OF THIS DRAWING		
90	USE THE BEST AVAILABLE QUALITY		
91	FOR THE PURPOSES OF THIS DRAWING		
92	USE THE BEST AVAILABLE QUALITY		
93	FOR THE PURPOSES OF THIS DRAWING		
94	USE THE BEST AVAILABLE QUALITY		
95	FOR THE PURPOSES OF THIS DRAWING		
96	USE THE BEST AVAILABLE QUALITY		
97	FOR THE PURPOSES OF THIS DRAWING		
98	USE THE BEST AVAILABLE QUALITY		
99	FOR THE PURPOSES OF THIS DRAWING		
100	USE THE BEST AVAILABLE QUALITY		

EQUIPMENT CORPORATION
POSITIVE T/O BUS INTERFACE

DATE: 11/27/67
 DRAWN: [Signature]
 CHECKED: [Signature]
 APPROVED: [Signature]
 PART NO: M8350 01 C



* NOTE:
 IF SET IS INCREASED TO 500 NS OR MORE
 THE SLOW CYCLE LAMPER MUST BE INSTALLED
 ON THE TRAMP BOARD (M833 OR M833D)

QTY	DESCRIPTION	PART NO.	ITEM NO.
	EQUIPMENT CORPORATION		
	TITLE: POSITIVE I/O BUS INTERFACE		
	PART NO: M8350-0-1 C		
	SCALE: 1/8" = 1"		
	SHEET 3 OF 3		

