

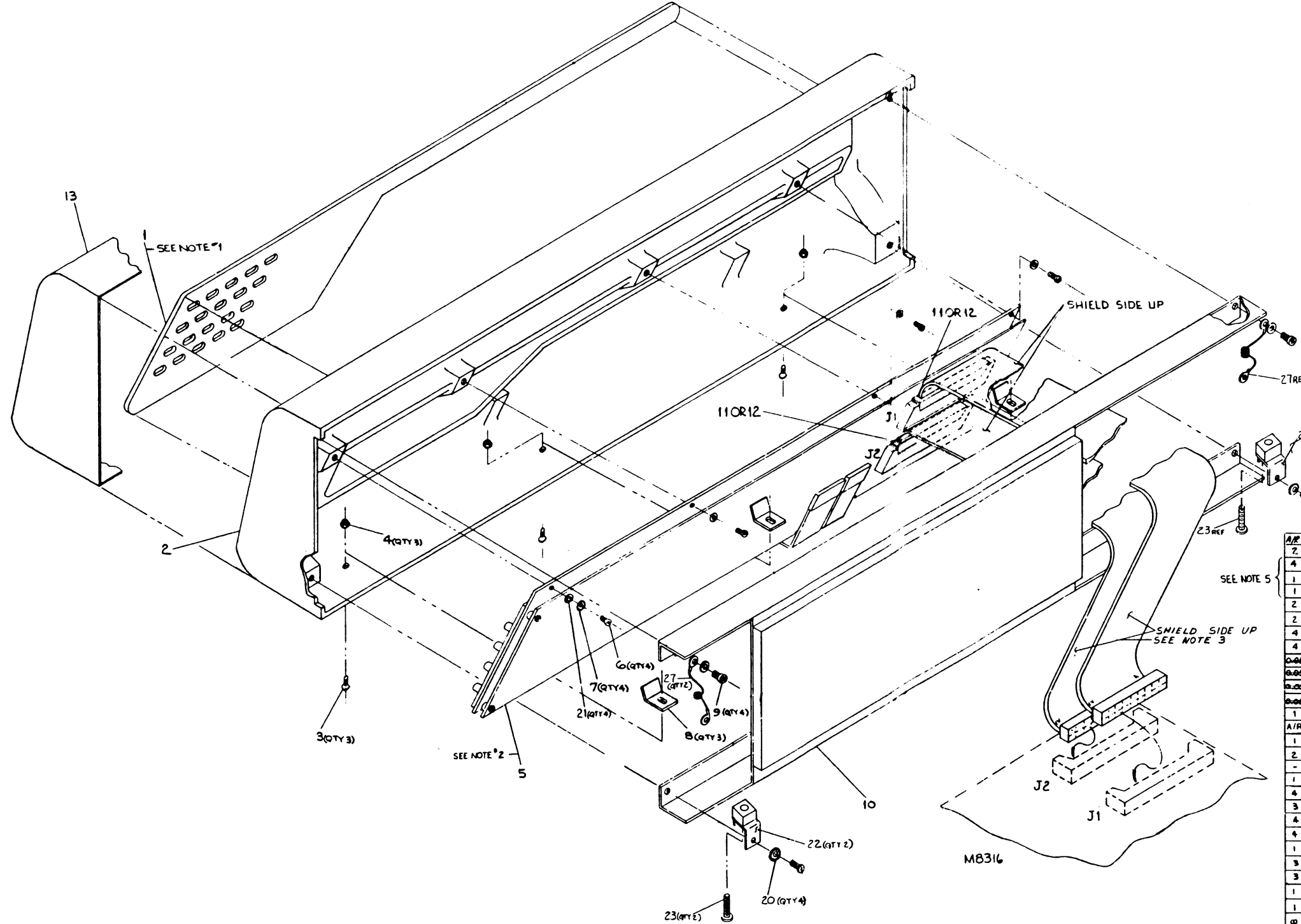
DO NOT SCALE DRAWING

THIS DRAWING AND SPECIFICATIONS HEREBY ARE THE PROPERTY OF MILWAUKEE EQUIPMENT CORPORATION AND SHALL NOT BE REPRODUCED OR COPIED OR USED IN WHOLE OR IN PART IN ANY MANNER WITHOUT THE WRITTEN CONSENT OF MILWAUKEE EQUIPMENT CORPORATION.

| LEGEND | |
|---------|-------------------------------|
| PART NO | VARIATION |
| KCB-AA | PROG'S CONSOLE(SEE PL) |
| KCB-AB | REMOTE PROG'S CONSOLE(SEE PL) |

NOTES:

- ASSEMBLE ITEM #1(PANEL) TO ITEM #2 (BEZEL) USING SILASTIC ADHESIVE ITEM #14
- FOR PROPER ALIGNMENT OF KEYPAD OF MODULE ASSEMBLY (ITEM #5) INTO BEZEL (ITEM #2), DO THE FOLLOWING:
 - PLACE MODULE ASSEMBLY (ITEM #5) INTO BEZEL (ITEM #2).
 - START MOUNTING HARDWARE, ITEMS 6, 7 AND 21 INTO BEZEL.
 - BEFORE TIGHTENING DOWN ITEMS 6, 7 AND 21, PUSH MODULE ASSEMBLY TOWARDS THE TOP OF BEZEL. THE KEYPAD, WHEN VIEWED FROM THE FRONT OF BEZEL, SHOULD JUST TOUCH THE TOP EDGE OF THE KEYPAD CUTOUTS IN BEZEL.
 - TIGHTEN ITEMS 6, 7 AND 21.
 - NOW SECURE MODULE ASSEMBLY BOTTOM TO BEZEL WITH ITEMS 3, 4 AND 8; BEING SURE THAT CLIPS (ITEM #8) ARE PRESSED FIRMLY AGAINST MODULE ASSEMBLY.
- MATE BC0BR CABLES J1(KCB-A) TO J1(MB316) J2(KCB-A) TO J2(MB316)
- SEE SHEET 2 FOR INSTRUCTIONS OF MOUNTING BEZEL TO BOX AND CABINET
- LOOSE SHIP ITEMS 24, 25 & 26 WITH ASSY



| A/R | AE | INSTRUCTIONS, PRG. | 3700187 | 28 |
|---------------|---------------|---------------------------------------|-----------------------|---------------|
| 2 | 2 | CABLE ASSY, FLEX | 1212907-01 | 27 |
| 4 | 4 | SCR PPH 10-32X.50 | 9004073-03 | 26 |
| 1 | 1 | BRKT CABINET | 7419709-1 | 25 |
| 1 | 1 | BRKT CABINET | 7419709-0 | 24 |
| 2 | 2 | SCR, SOC. HD, 10-32X.10 | 9006350-08 | 23 |
| 2 | 2 | BRKT, BEZEL | C-1A-70M524 | 22 |
| 4 | 4 | WASHER FLAT | 9006653 | 21 |
| 4 | 4 | WASH, EXT TOOTH LOCK #8 | 9008151 | 20 |
| 10 | 10 | POLY BAG | 9008108 | 19 |
| 10 | 10 | LAMINATED BUILD UP L | 9005303-01 | 18 |
| 10 | 10 | LAMINATED BUILD UP L-N | 9005303-00 | 18 |
| 10 | 10 | RESIN GLASS BOTTLE CAPTION | 9005304-00 | 18 |
| 1 | 1 | SHIPPING LIST | A-PL-KCB-A-2 | 15 |
| A/R | A/R | ADHESIVE, SILASTIC | 9009158 | 14 |
| 1 | 1 | COVER, PROTECTIVE BEZEL | D-MD-7413361-0-0 | 13 |
| 2 | - | I/O CABLE BC0BR | C-UA-BC0BR-12 | 12 |
| - | 2 | I/O CABLE BC0BR | C-UA-BC0BR-01 | 11 |
| 1 | 1 | BRACKET BEZEL | C-1A-7411987-0-0 | 10 |
| 4 | 4 | SCR, PHL HD PAN #32 X.38 | 9006037-1 | 9 |
| 3 | 3 | CLIP | B-MD-7412352-0-0 | 8 |
| 4 | 4 | WASH, EXT TOOTH LOCK #6 | 9007649 | 7 |
| 4 | 4 | SCR, PHL HD PAN #32 X.25 | 9006020-1 | 6 |
| 1 | 1 | KEYBOARD ASSY | D-AD-7010644-0-0 | 5 |
| 3 | 3 | NUT KEPS #4-40 | 9006557 | 4 |
| 3 | 3 | SCR, PHL HD FLAT #4.40 X.375 | 9006011-2 | 3 |
| 1 | 1 | BEZEL (MACHINED DIE ONLY) | E-MD-7412349-3-0 | 2 |
| 1 | 1 | PANEL | D-1A-7412395-1-0 | 1 |

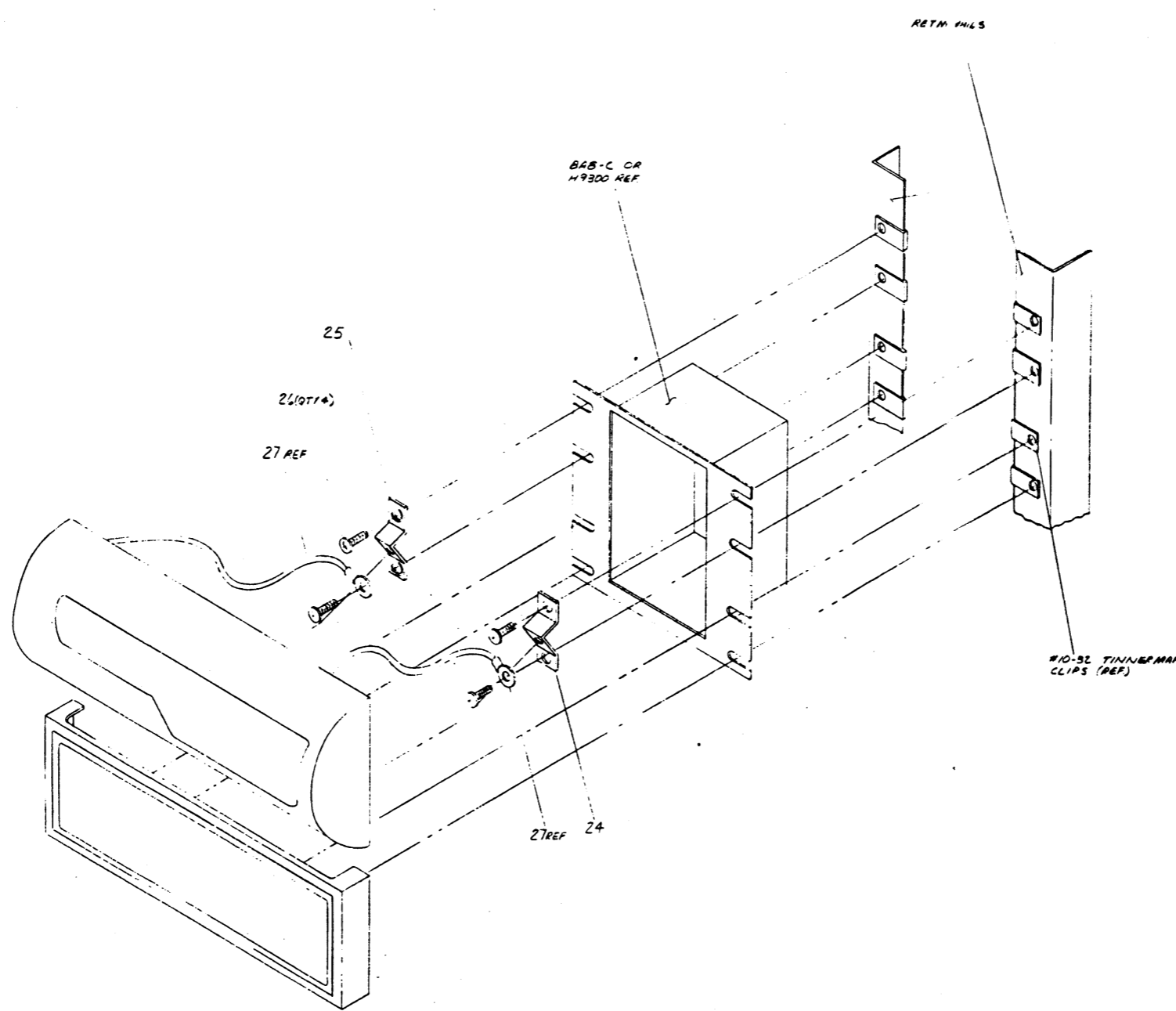
| QTY. | QTY. | DESCRIPTION | PART NO. | ITEM NO. |
|----------------------------|------|--------------|----------|----------|
| 3/A | | | | |
| DIMENSIONAL TOLERANCE | | PARTS LIST | | |
| UNLESS OTHERWISE SPECIFIED | | digital | | |
| FINISH | | TITLE | | |
| MATERIAL | | BEZEL ASSY | | |
| SEE PARTS LIST | | REV | | |
| SCALE | | E UA KCB-A-0 | | |
| SHEET | | OF 2 | | |

| REV | DESCRIPTION | DATE | BY |
|-----|---------------------------|---------|-----|
| 1 | REVISED TO ADD PARTS LIST | 10/1/74 | ... |
| 2 | REVISED TO ADD PARTS LIST | 10/1/74 | ... |
| 3 | REVISED TO ADD PARTS LIST | 10/1/74 | ... |
| 4 | REVISED TO ADD PARTS LIST | 10/1/74 | ... |
| 5 | REVISED TO ADD PARTS LIST | 10/1/74 | ... |
| 6 | REVISED TO ADD PARTS LIST | 10/1/74 | ... |
| 7 | REVISED TO ADD PARTS LIST | 10/1/74 | ... |
| 8 | REVISED TO ADD PARTS LIST | 10/1/74 | ... |
| 9 | REVISED TO ADD PARTS LIST | 10/1/74 | ... |
| 10 | REVISED TO ADD PARTS LIST | 10/1/74 | ... |

KCB-A-0

REV J

THE COMPANY AND SPECIFICATIONS HEREON ARE THE PROPERTY OF BUREAU OF ELECTRIC EQUIPMENT CORPORATION AND SHALL NOT BE REPRODUCED OR COPIED IN WHOLE OR IN PART WITHOUT WRITTEN PERMISSION.
 JUNE 1977 BUREAU OF ELECTRIC EQUIPMENT CORPORATION



| REVISIONS | | |
|-----------|-----------|-----|
| CHR | CHANGE NO | REV |
| | | |

TITLE: BEZEL ASSY.
 SCALE: 2
 SHEET: 2 OF 2
 NUMBER: KCB-A-08
 REV: J

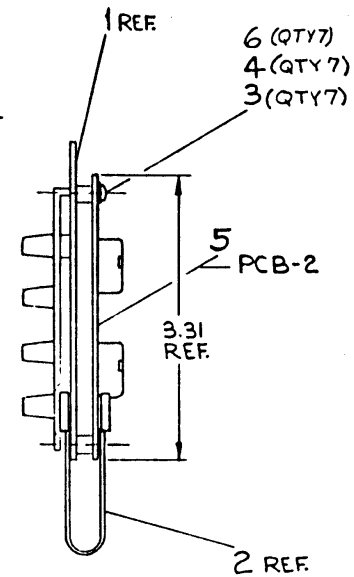
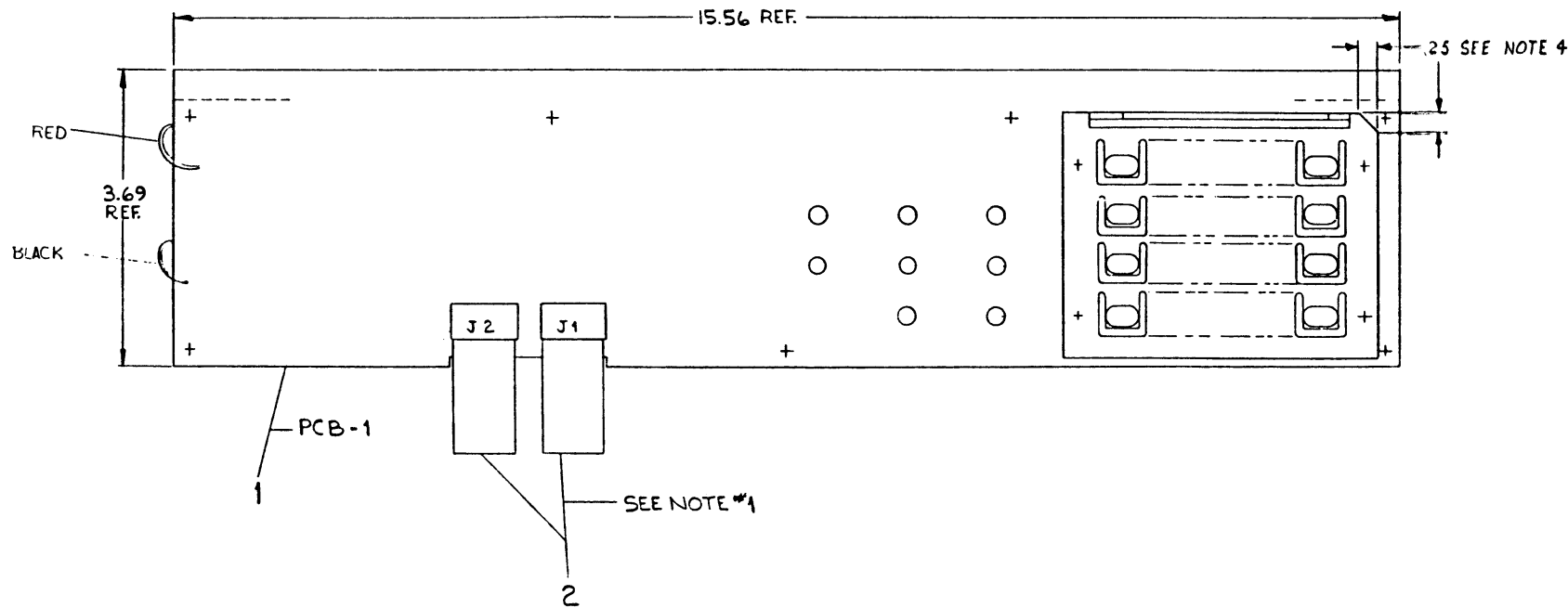
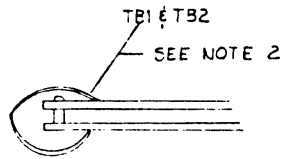
KCB-A-08

"THIS DRAWING AND SPECIFICATIONS HEREIN ARE THE PROPERTY OF DIGITAL EQUIPMENT CORPORATION AND SHALL NOT BE REPRODUCED OR COPIED OR USED IN WHOLE OR IN PART AS THE BASIS FOR THE MANUFACTURE OR SALE OF ITEMS WITHOUT WRITTEN PERMISSION. COPYRIGHT © 1974, DIGITAL EQUIPMENT CORPORATION"

DO NOT SCALE DRAWING

NOTES:

1. INSTALL ITEM #2 (CABLE) AS FOLLOWS.
PCB-1-J1 TO PCB-2-J3
PCB-1-J2 TO PCB-2-J4
2. CONNECT RED WIRE FROM PCB-1 TO TB1 ON PCB-2. CONNECT BLACK WIRE FROM PCB-1 TO TB2 ON PCB-2.
3. ITEM #7 MAY BE RECYCLED WHEN USED FOR INTERPLANT SHIPMENT.
4. CLIP UPPER RIGHT HAND LIP OF KEYPAD OFF TO ALLOW PROPER ALIGNMENT INTO BEZEL.



SEE NOTE 3

| QTY. | DESCRIPTION | PART NO. | REV. |
|------|-------------------------|------------------|------|
| 1 | PACKAGING INSTRUCTIONS | A-SP-3700188-0-0 | 7 |
| 7 | WASHER, FLAT # 4 | 9006655 | 6 |
| 1 | REGISTERS AND CONTROL | D-CS-5411316-0-1 | 5 |
| 7 | WASH INT LOCK #4 | 9006632 | 4 |
| 7 | SCR PHL HDPAN #4-40X.25 | 9008301-1 | 3 |
| 2 | CABLE, KEYBOARD | C-1A-7008612-0-D | 2 |
| 1 | INDICATOR DISPLAY | D-CS-5411241-0-1 | 1 |

| FIRST USED ON OPTION/MODEL | | PARTS LIST | |
|--|--|-------------------|-------------|
| 8/A | | DATE | 12-10-74 |
| DIMENSIONAL TOLERANCE | | DATE | 1-23-75 |
| DIMENSIONS ARE INCHES UNLESS OTHERWISE SPECIFIED | | DATE | 1-23-75 |
| MILLIMETERS | INCHES | ANGLES | 80° 30' |
| XXX ±.010 | XXX ±.005 | | |
| XX ±.05 | XX ±.02 | | |
| X ±.25 | X ±.1 | | |
| THIRD ANGLE PROJECTION | REMOVE BURRS AND BREAK SHARP CORNERS SURFACE QUALITY | NEXT HIGHER ASSY. | |
| MATERIAL | SEE PARTS LIST | SCALE | 1/1 |
| FINISH | | SHEET | OF |
| TITLE | | SIZE CODE | NUMBER |
| KEYBOARD ASSY. | | D AD | 7010644-0-0 |
| | | REV. | C |

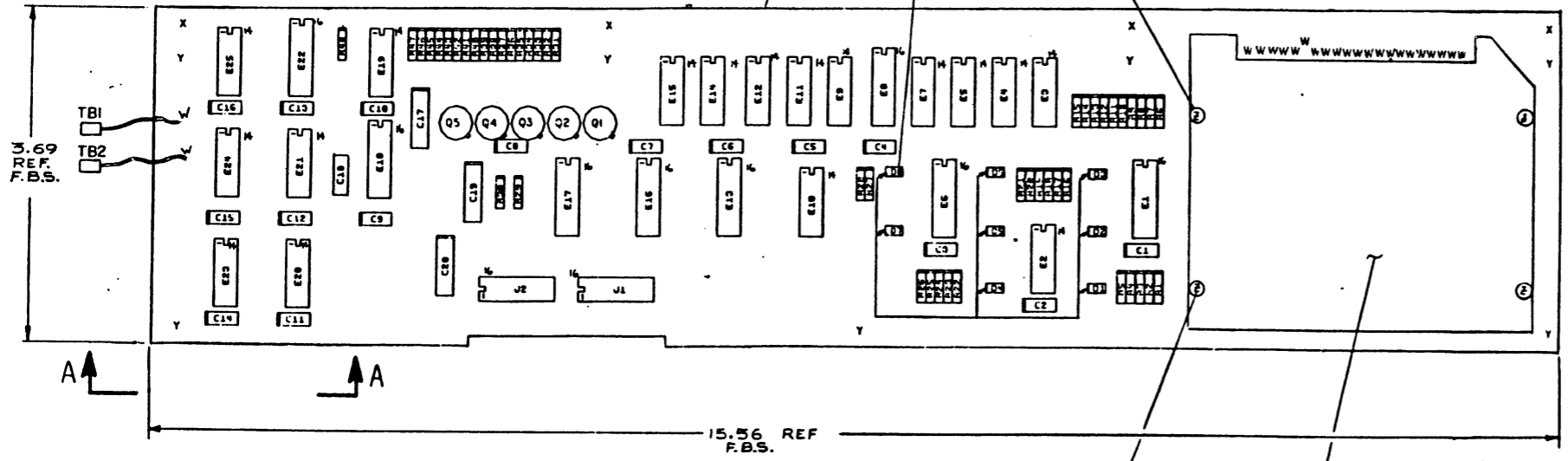
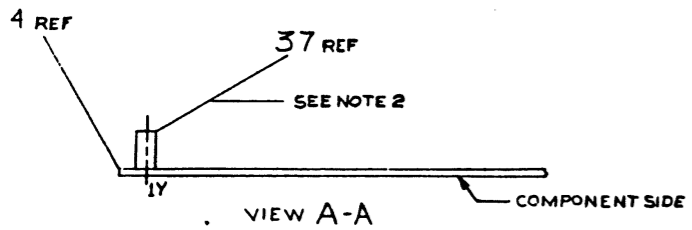
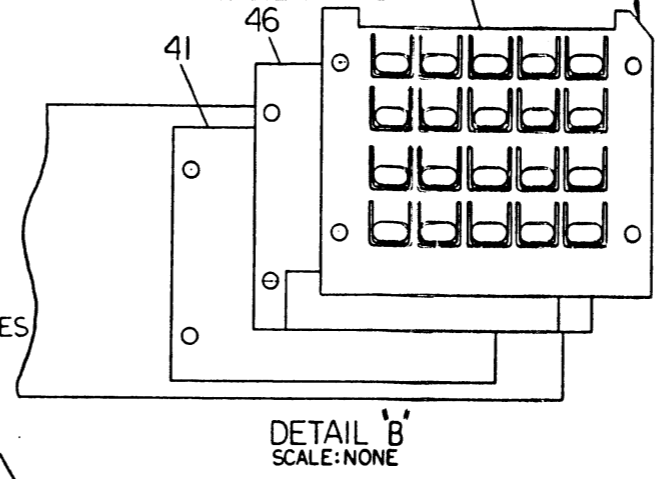
| REV. | CHANGE NO. | DATE | BY | CHK |
|------|---------------|------|----|-----|
| A | 7010644-00001 | | | |
| B | 7010644-00002 | | | |
| C | 7010644-00003 | | | |

"THIS DRAWING AND SPECIFICATIONS, HEREIN, ARE THE PROPERTY OF DIGITAL EQUIPMENT CORPORATION AND SHALL NOT BE REPRODUCED OR COPIED OR USED IN WHOLE OR IN PART AS THE BASIS FOR THE MANUFACTURE OR SALE OF ITEMS WITHOUT WRITTEN PERMISSION. COPYRIGHT © 1974 DIGITAL EQUIPMENT CORPORATION"

- NOTES:**
- HAND INSERT KEYPAD AFTER WAVE SOLDERING
 - MOUNT ITEM #37 (INSERTS) IN 7 HOLES, AFTER COMPONENTS HAVE BEEN MOUNTED.
 - DEC PART NUMBER 1210054 MAY BE SUBSTITUTED FOR DEC 1211813-01 ON THIS BOARD.
 - USE #4 HARDWARE ITEMS (38, 39 & 40) TO MOUNT ITEMS 12 & 41 TO SIDE 1, EXCEPT AT LOWER LEFT CORNER.
 - USE ITEM 36 BETWEEN ITEM 9 (LED) AND BOARD BEFORE SOLDERING.
 - SEE DETAIL 'B' FOR ASSEMBLY OF KEYPAD.
 - CLIP OFF CORNER BEFORE ASSEMBLY TO BOARD.

WIRE TABLE

| ITEM | FROM | WITH | TO | WITH | LENGTH |
|------|------|--------|------|------|--------|
| 42 | TB1 | SOLDER | FREE | 44 | 3.0" |
| 43 | TB2 | SOLDER | FREE | 44 | 3.0" |



| REF | X-Y COORDINATE HOLE LOCATION | K-CO-5411241-B-4 | 1 | |
|-----|--|----------------------------------|---------------------------|----|
| REF | ASSY/DRILLING HOLE LAYOUT | D-AN-5411241-B-5 | 2 | |
| REF | MODULE ECO HISTORY | D-MN-5411241-B-6 | 3 | |
| 1 | ETCHED CIRCUIT BOARD | 9011240 | 4 | |
| 1 | C10 | CAPACITOR, 820f, 100V, 5% | 1000015 | 5 |
| 18 | C1 THRU C10 | CAPACITOR, .01uf, 50V, AXIAL | 1001810-00 | 6 |
| 1 | C17 | CAPACITOR, 1.0uf, 35V, 10% | 1001776-00 | 7 |
| 2 | C19, C20 | CAPACITOR, 0.0uf, 35V, 10% | 1005306 | 8 |
| 8 | D1 THRU D8 | LED | 1110864 | 9 |
| 9 | E3, E5, E7, E9, E11, E12, E14, E15, E4 | 14 PIN I.C. SOCKET | 1211813-01 SEE NOTE #3 | 10 |
| 2 | J1, J2 | 16 PIN I.C. SOCKET | 1210818-02 | 11 |
| 1 | | KEYPAD ASSY. | 1211858 | 12 |
| 1 | R29 | RESISTOR, 220, 1/4W, 5% | 1308271 | 13 |
| 8 | R10 THRU R21, R27, R29 | RESISTOR, 330, 1/4W, 5% | 1300295 | 14 |
| 5 | R32, R35, R38, R41, R44 | RESISTOR, 470, 1/4W, 5% | 1300318 | 15 |
| 21 | R1 THRU R15, R22 THRU R26, R48 | RESISTOR, 1K, 1/4W, 5% | 1300365 | 16 |
| 1 | R40 | RESISTOR, 10K, 1/4W, 5% | 1300479 | 17 |
| 4 | R36, R39, R42, R45 | RESISTOR, 10, 1/4W, 5% | 1301317 | 18 |
| 1 | R30 | RESISTOR, 750, 1/4W, 5% | 1301401 | 19 |
| 8 | R31, R33, R34, R37, R40, R43 | RESISTOR, 27, 1/4W, 5% | 1301522 | 20 |
| 1 | R47 | RESISTOR, 0.8K, 1/4W, 5% | 1301423 | 21 |
| 5 | Q1 THRU Q5 | TRANSISTOR, MPSA05 | 1510705 | 22 |
| 1 | E23 | I.C. DEC 7474 | 1905547 | 23 |
| 1 | E21 | I.C. DEC 7420 | 1905577 | 24 |
| 1 | E25 | I.C. DEC 7490 | 1909051 | 25 |
| 1 | E24 | I.C. DEC 7495 | 1909055 | 26 |
| 1 | E22 | I.C. DEC 8251 | 1909594 | 27 |
| 1 | E20 | I.C. DEC 7404 | 1909888 | 28 |
| 1 | E19 | I.C. DEC 7418 | 1909928 | 29 |
| 1 | E17 | I.C. DEC 74145 | 1910047 | 30 |
| 2 | E2, E10 | I.C. DEC 7400 | 1910155 | 31 |
| 1 | E18 | I.C. DEC 74123 | 1910438 | 32 |
| 2 | E1, E8 | I.C. DEC 9310 | 1910454 | 33 |
| 3 | E0, E13, E16 | I.C. DEC 7447A | 1911295 | 34 |
| 9 | E3, E4, E5, E7, E9, E11, E12, E14, E15 | 7 SEG DISPLAY | 1911297 | 35 |
| B | | WASHER, SHOULDER | 9008518 | 36 |
| 7 | | INSERTS, PC BOARD | 9009113-2 | 37 |
| 2 | | SCREW PHILIPS 4-40x3/8 | 9006014-01 | 38 |
| 1 | | NUT, KEP 4-40 | 9006557 | 39 |
| 1 | | WASHER, FLAT .312 X.125 ID X.027 | 9006655 | 40 |
| 1 | | SPACER KEY PAD | B-MD-7413722-0 | 41 |
| 3* | | WIRE #22 AWG (RED) | 9107350-22 | 42 |
| 3* | | WIRE #22 AWG (BLACK) | 9107350-00 | 43 |
| 2 | | CONN, SOLDERLESS (RED) | 9007970 | 44 |
| 1 | | SPACER, HEX 4-43, 250X 3/16 | 9007970 | 45 |
| 1 | | RETAINER, KEYBOARD ASSY. | C-1A-7013177-0-0 | 46 |
| 1 | | SPACER, HEX, NYLON 4-40 X 1/4 | 9009237 | 47 |

| DEC I.C. | QTY | LOC |
|----------------|-----|-----|
| DEC I.C. 8251 | 8 | 18 |
| DEC I.C. 7490 | 10 | 5 |
| DEC I.C. 74145 | 8 | 18 |
| DEC I.C. 7495 | 8 | 14 |
| DEC I.C. 9310 | 8 | 18 |
| DEC I.C. 74123 | 8 | 16 |
| IC TYPE | GND | +5V |

GND AND 5V ARE USUALLY PIN 7 AND 14 RESPECTIVELY EXCEPTS ARE STATED ABOVE

IC PIN LOCATIONS

FIRST USED ON OPTION MODEL
KCBA A

| CHK | CHANGE NO. | REV. |
|-----|------------|------|
| | ORIGINATED | B |
| | REVISED | C |
| | REVISED | D |
| | REVISED | E |
| | REVISED | F |
| | REVISED | G |
| | REVISED | H |
| | REVISED | I |
| | REVISED | J |

ETCH BOARD REV. D

DATE 12/16/74

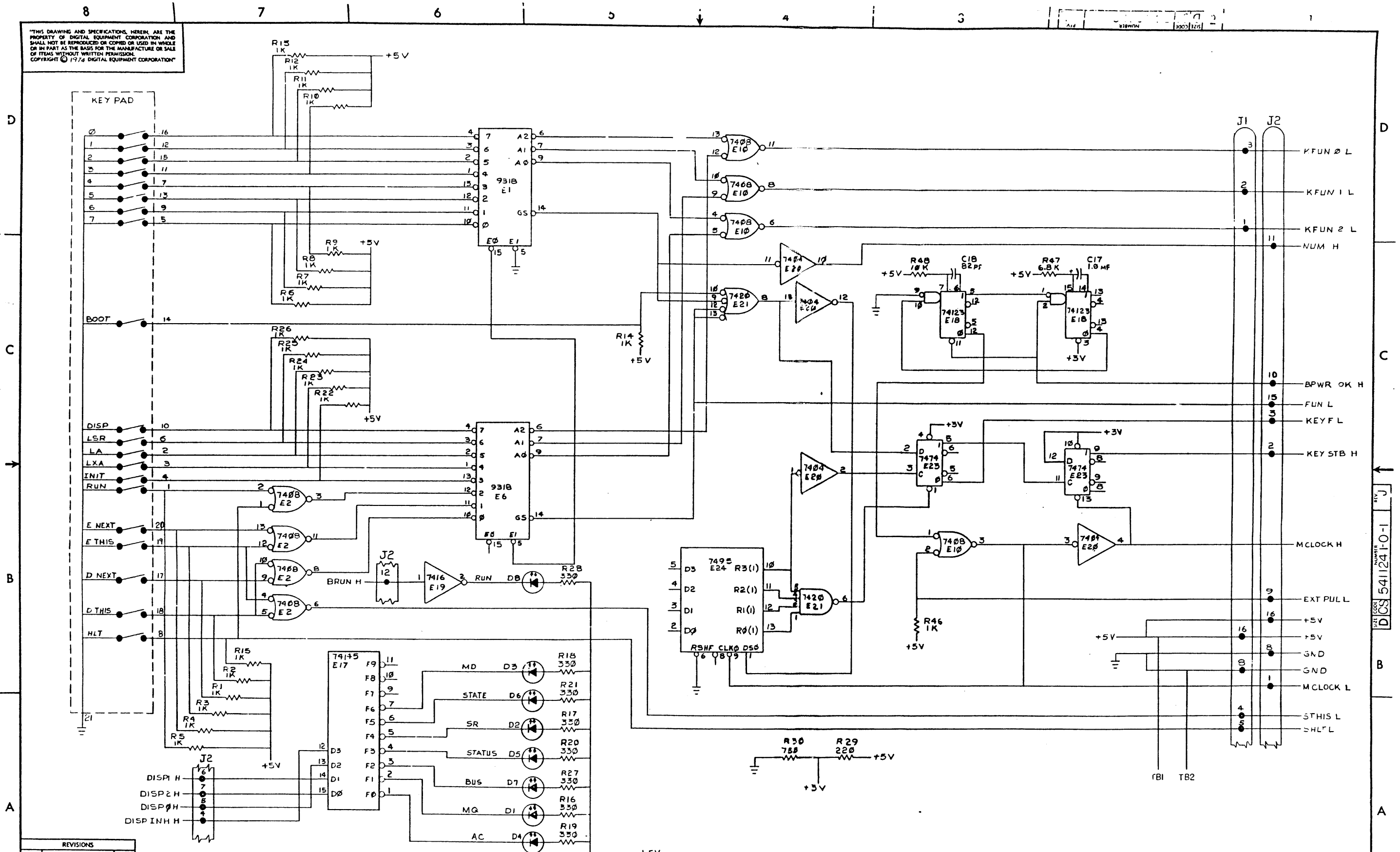
INDICATOR DISPLAY

DCS 5411241-0-1

SEMICONDUCTOR CONVERSION CHART

SHEET 1 OF 3

THIS DRAWING AND SPECIFICATIONS HEREIN ARE THE PROPERTY OF DIGITAL EQUIPMENT CORPORATION AND SHALL NOT BE REPRODUCED OR COPIED OR USED IN WHOLE OR IN PART AS THE BASIS FOR THE MANUFACTURE OR SALE OF ITEMS WITHOUT WRITTEN PERMISSION. COPYRIGHT © 1974 DIGITAL EQUIPMENT CORPORATION

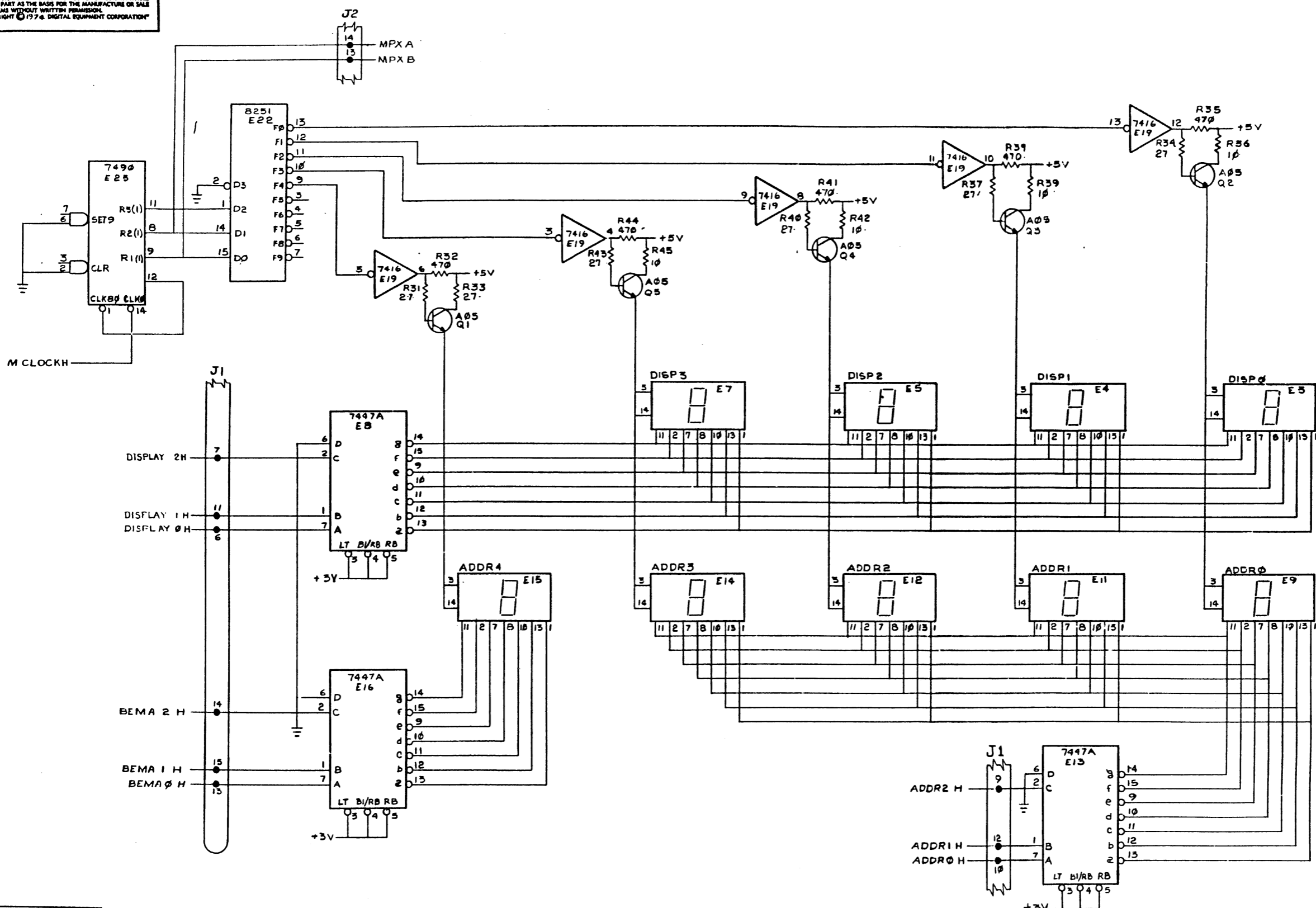


| REVISIONS | | |
|-----------|------------|------|
| CHK | CHANGE NO. | REV. |
| | | |

| | | | | | | |
|-------|-------------------|-----------|-----|---------|-------|----|
| TITLE | INDICATOR DISPLAY | SIZE CODE | DCS | NO: 8°R | REV. | J. |
| SCALE | 1:1 | SHEET | 2 | OF 3 | DIST. | |

REV J
DCS 541124-0-1

THIS DRAWING AND SPECIFICATIONS HEREIN ARE THE PROPERTY OF DIGITAL EQUIPMENT CORPORATION AND SHALL NOT BE REPRODUCED OR COPIED OR USED IN WHOLE OR IN PART AS THE BASIS FOR THE MANUFACTURE OR SALE OF ITEMS WITHOUT WRITTEN PERMISSION. COPYRIGHT © 1974, DIGITAL EQUIPMENT CORPORATION.



| REVISIONS | | |
|-----------|------------|------|
| CHK | CHANGE NO. | REV. |
| | | |

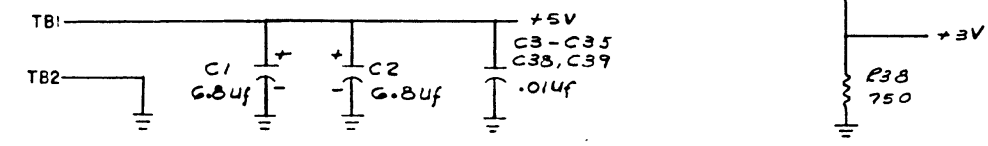
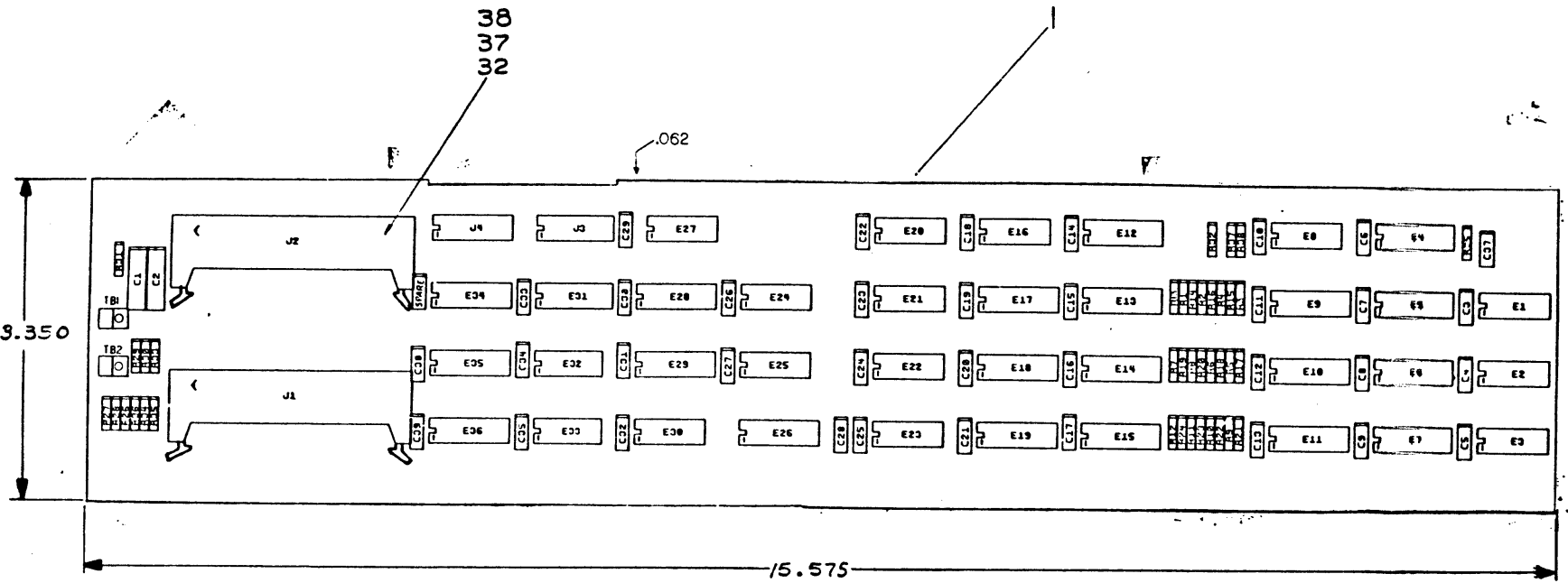
| | | | | | | | |
|-------|-------------------|-----------|-----|--------|------------|-------|---|
| TITLE | INDICATOR DISPLAY | SIZE CODE | DCS | NUMBER | 54112410-1 | REV. | J |
| SCALE | 1:1 | SHEET | 3 | OF | 3 | DIST. | |

THIS DRAWING AND SPECIFICATIONS HEREIN ARE THE PROPERTY OF DIGITAL EQUIPMENT CORPORATION AND SHALL NOT BE REPRODUCED OR COPIED OR USED IN WHOLE OR IN PART AS THE BASIS FOR THE MANUFACTURE OR SALE OF ITEMS WITHOUT WRITTEN PERMISSION. COPYRIGHT © 1975 DIGITAL EQUIPMENT CORPORATION

NOTES:

| J1 | | J2 | |
|------------|------------|------------|--------|
| GND | +5V | GND | +5V |
| B, D, F | LL, NN | B, D, F, J | LL, NN |
| J, L, N | RR, SS | L, N, R | RR, TT |
| E, T, V, X | TT, UU, VV | T, V, X, Z | VV |
| Z, BB | | BB, DD | |
| DD, FF, JJ | | FF, JJ | |

1001610-00 MAY BE SUBSTITUTED FOR 1001610 TYPE 0.01µF CAP.



| IC TYPE | GND | +5V |
|---------------|-----|-----|
| I.C DEC 74174 | 8 | 16 |
| I.C DEC 7475 | 12 | 5 |
| I.C DEC 8251 | 8 | 16 |
| I.C DEC 8235 | 8 | 16 |
| I.C DEC 74153 | 8 | 16 |
| I.C DEC 74123 | 8 | 16 |
| I.C DEC 74175 | 8 | 16 |
| I.C DEC 8097 | 8 | 16 |

GND AND 5V ARE USUALLY PIN 7 AND 14 RESPECTIVELY EXCEPT AS INDICATED ABOVE

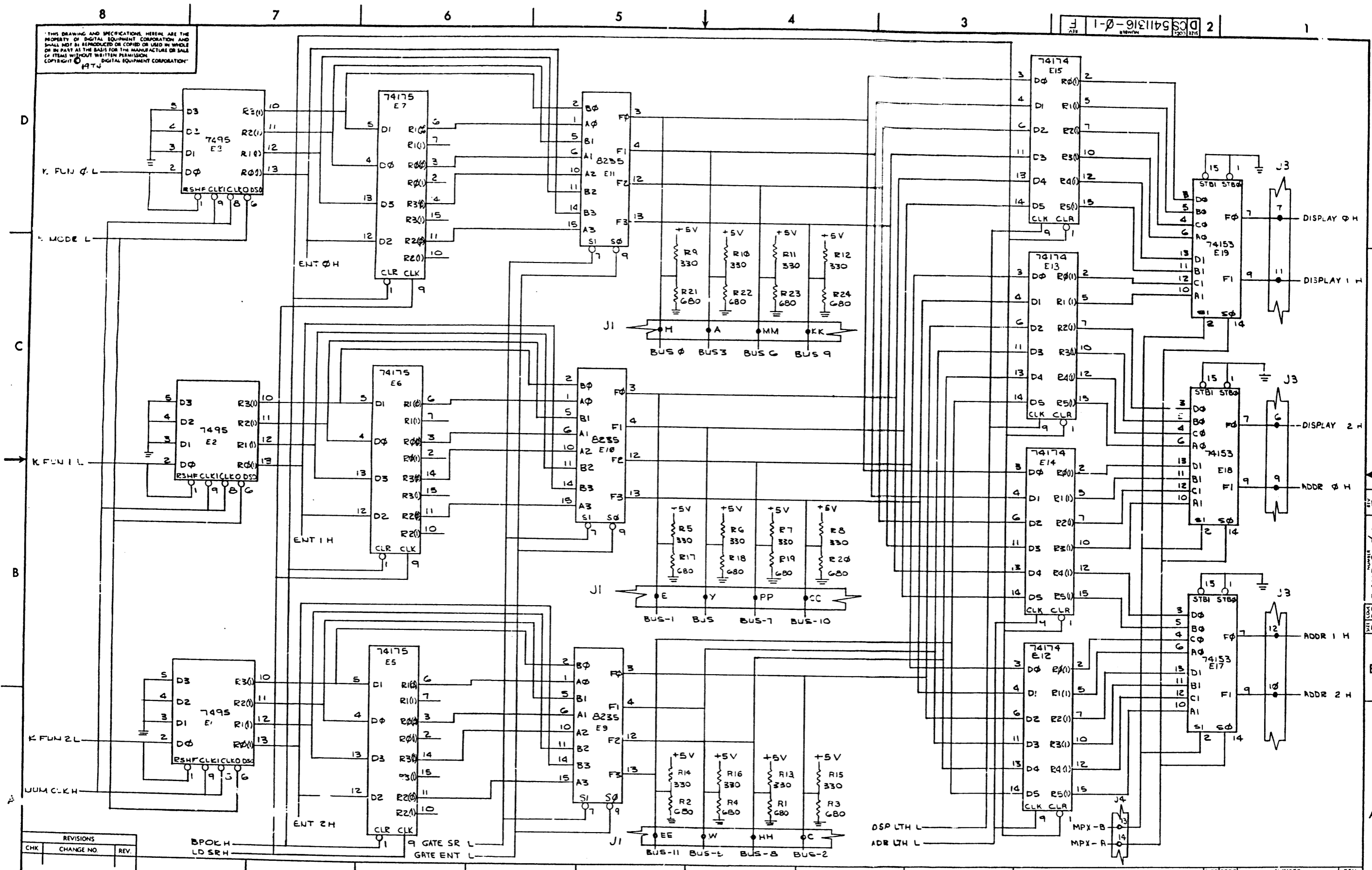
| REF | DESCRIPTION | PART NO. | ITEM NO. | |
|-----|----------------------------|-------------------------------|------------|----|
| REF | X-COORDINATE HOLE LOCATION | K-CO-5411316-0-1 | 1 | |
| REF | ASSY/DEILLING HOLE LAYOUT | D-AH-5411316-0-5 | 2 | |
| REF | MODULE ECO HISTORY | B-MH-5411316-0-3 | 3 | |
| 1 | ETCHED CIRCUIT BOARD | 5011315 | 4 | |
| 1 | C37 | CAP 56MMF 100V | 1000012 | 5 |
| 35 | C3-C35, C38, C39 | CAP .01UF 100V 20% | 1001610-01 | 6 |
| 2 | C1, C2 | CAP 6.8 UF 35V | 1005306 | 7 |
| 2 | E16, E20 | I.C DEC 7474 | 1905547 | 8 |
| 2 | E8, E30 | I.C DEC 7400 | 1905575 | 9 |
| 2 | E22, E33 | I.C DEC 7402 | 1909004 | 10 |
| 1 | E26 | I.C DEC 7475 | 1909050 | 11 |
| 3 | E1, E2, E8 | I.C DEC 7495 | 1909055 | 12 |
| 2 | E29, E35 | I.C DEC 8251 | 1909594 | 13 |
| 2 | E24, E27 | I.C DEC 7404 | 1909686 | 14 |
| 1 | E23 | I.C DEC 7416 | 1909928 | 15 |
| 3 | E9, E10, E11 | I.C DEC 8235 | 1909935 | 16 |
| 3 | E17, E18, E19 | I.C DEC 74153 | 1909937 | 17 |
| 1 | E32 | I.C DEC 7408 | 1910155 | 18 |
| 1 | E4 | I.C DEC 74123 | 1910436 | 19 |
| 3 | E5, E6, E7 | I.C DEC 74175 | 1910651 | 20 |
| 5 | E12, E13, E14, E15, E36 | I.C DEC 74174 | 1910652 | 21 |
| 2 | E21, E25 | I.C DEC 7427 | 1910878 | 22 |
| 3 | E28, E31, E34 | I.C DEC 8097 | 1911527 | 23 |
| 12 | R5-R16 | RES 330 1/4W 5% | 1300295 | 24 |
| 1 | R37 | RES 220 1/4W 5% | 1300271 | 25 |
| 2 | R27, R30 | RES 390 1/4W 5% | 1300309 | 26 |
| 7 | R28, R31-R36 | RES 1K 1/4W 5% | 1300365 | 27 |
| 2 | R20, R29 | RES 180 1/4W 5% | 1301322 | 28 |
| 1 | R38 | RES 750 1/4W 5% | 1301401 | 29 |
| 1 | R25 | RES 6.8K 1/4W 5% | 1301423 | 30 |
| 12 | R1-R4, R17-R24 | RES 680 1/4W 5% | 1301424 | 31 |
| 2 | J1, J2 | CONN 40 PIN | 1209941-02 | 32 |
| 2 | J3, J4 | SOCKET I.C 16 PIN | 1211813-02 | 33 |
| W/R | WIRE, #30AWG, GREEN | 9105740-55 | 34 | |
| 2 | TB1, TB2 | TAB FASTON (OFFSET) | 9007112 | 35 |
| 2 | TB1, TB2 | EYELET | 9009000 | 36 |
| 2 | | LATCH, LEFT 40P. RT. ANG. HD. | 1209941-03 | 37 |
| 2 | | LATCH, RIGHT 40P. RT. ANG. HD | 1209941-04 | 38 |

FIRST USED ON OPTION MODEL
KCB-AA

| PARTS LIST | | ETCH BOARD REV | | DATE | | TITLE | |
|-------------|---------|----------------|---------|--------------------------------|---------|---------------------|--|
| DR | DATE | B | C | 1/10/77 | 1/10/77 | REGISTERS & CONTROL | |
| DESIGNED BY | DATE | | | 1/10/77 | 1/10/77 | NEXT HIGHER ASSY | |
| ENGINEER | DATE | | | 1/10/77 | 1/10/77 | D-AD-7010644-0-0 | |
| PROJ. ENGR | DATE | | | 1/10/77 | 1/10/77 | SCALE | |
| CHK | DATE | | | 1/10/77 | 1/10/77 | SHEET 1 OF 3 | |
| DEC NO. | EIA NO. | DEC NO. | EIA NO. | SEMICONDUCTOR CONVERSION CHART | | | |
| | | | | SIZE CODE: DCS 5411316-0-1 | | | |
| | | | | NUMBER: 1 REV. F | | | |

| REV | DATE | DESCRIPTION |
|-----|---------|-------------|
| 1 | 1/10/77 | ORIGINATED |
| 2 | 1/10/77 | CHANGED |
| 3 | 1/10/77 | CHANGED |
| 4 | 1/10/77 | CHANGED |
| 5 | 1/10/77 | CHANGED |
| 6 | 1/10/77 | CHANGED |
| 7 | 1/10/77 | CHANGED |
| 8 | 1/10/77 | CHANGED |
| 9 | 1/10/77 | CHANGED |
| 10 | 1/10/77 | CHANGED |
| 11 | 1/10/77 | CHANGED |
| 12 | 1/10/77 | CHANGED |
| 13 | 1/10/77 | CHANGED |
| 14 | 1/10/77 | CHANGED |
| 15 | 1/10/77 | CHANGED |
| 16 | 1/10/77 | CHANGED |
| 17 | 1/10/77 | CHANGED |
| 18 | 1/10/77 | CHANGED |
| 19 | 1/10/77 | CHANGED |
| 20 | 1/10/77 | CHANGED |
| 21 | 1/10/77 | CHANGED |
| 22 | 1/10/77 | CHANGED |
| 23 | 1/10/77 | CHANGED |
| 24 | 1/10/77 | CHANGED |
| 25 | 1/10/77 | CHANGED |
| 26 | 1/10/77 | CHANGED |
| 27 | 1/10/77 | CHANGED |
| 28 | 1/10/77 | CHANGED |
| 29 | 1/10/77 | CHANGED |
| 30 | 1/10/77 | CHANGED |
| 31 | 1/10/77 | CHANGED |
| 32 | 1/10/77 | CHANGED |
| 33 | 1/10/77 | CHANGED |
| 34 | 1/10/77 | CHANGED |
| 35 | 1/10/77 | CHANGED |
| 36 | 1/10/77 | CHANGED |
| 37 | 1/10/77 | CHANGED |
| 38 | 1/10/77 | CHANGED |

THIS DRAWING AND SPECIFICATIONS HEREIN ARE THE PROPERTY OF DIGITAL EQUIPMENT CORPORATION AND SHALL NOT BE REPRODUCED OR COPIED OR USED IN WHOLE OR IN PART AS THE BASIS FOR THE MANUFACTURE OR SALE OF ITEMS WITHOUT WRITTEN PERMISSION. COPYRIGHT © 1974 DIGITAL EQUIPMENT CORPORATION.



| REVISIONS | | |
|-----------|------------|------|
| CHK | CHANGE NO. | REV. |
| | | |

BPOKH
LD SRH

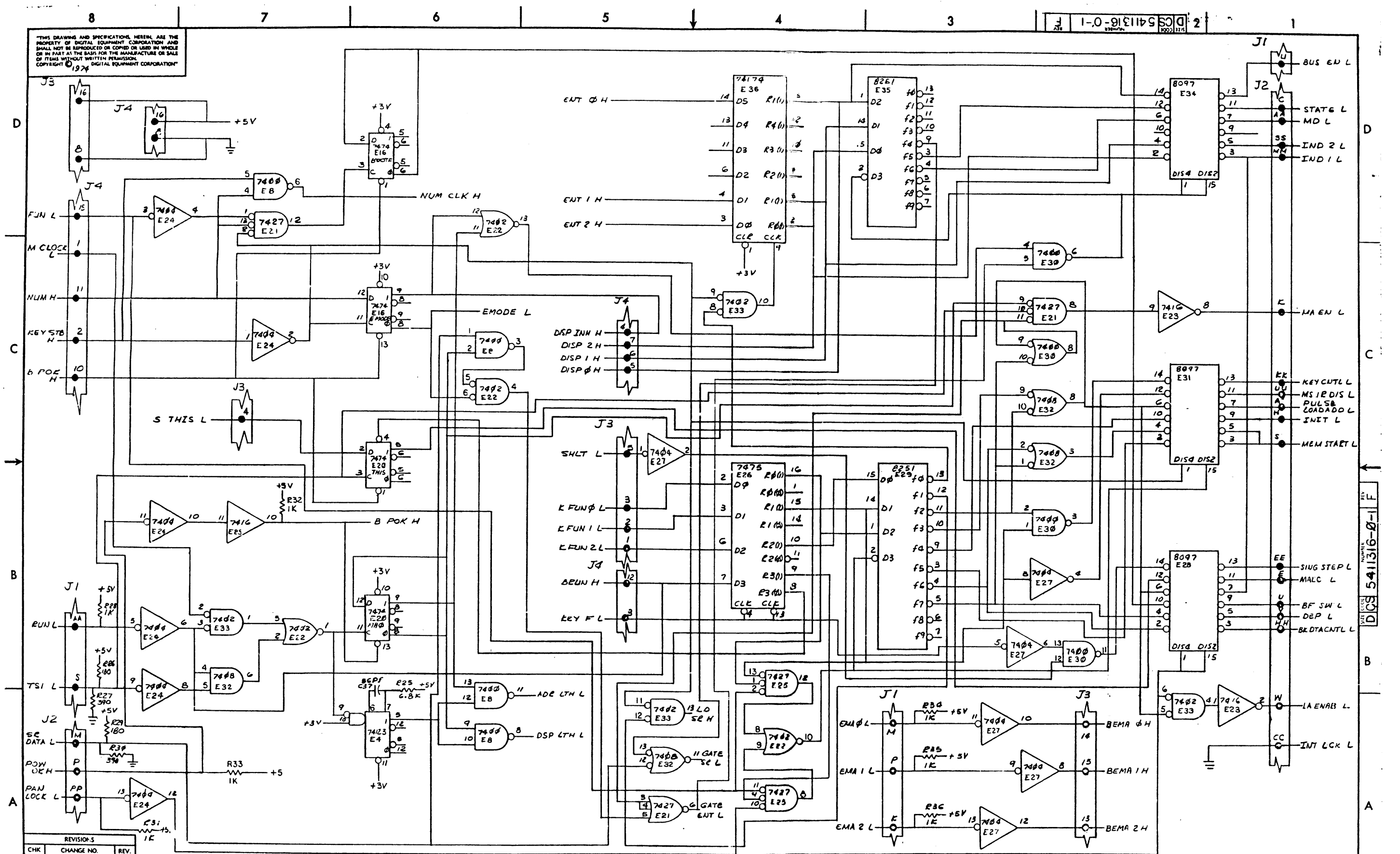
ENT 2H
GATE SR L
GATE ENT L

BUS-11 BUS-10 BUS-9 BUS-8
BUS-7 BUS-6 BUS-5 BUS-4
BUS-3 BUS-2

DSP LTH L
ADR LTH L

MPX-B
MPX-A

THIS DRAWING AND SPECIFICATIONS HEREIN ARE THE PROPERTY OF DIGITAL EQUIPMENT CORPORATION AND SHALL NOT BE REPRODUCED OR COPIED OR USED IN WHOLE OR IN PART AS THE BASIS FOR THE MANUFACTURE OR SALE OF ITEMS WITHOUT WRITTEN PERMISSION. COPYRIGHT © 1974 DIGITAL EQUIPMENT CORPORATION



| REVISION 5 | | |
|------------|------------|------|
| CHK | CHANGE NO. | REV. |
| | | |

| | | | | | |
|-------|--------------------|-----------|-----------------|--------|------|
| TITLE | REGISTER & CONTROL | SIZE CODE | DCS 5411316-0-1 | NUMBER | REV. |
| SCALE | SHEET 3 OF 3 | DIST. | | | F |