

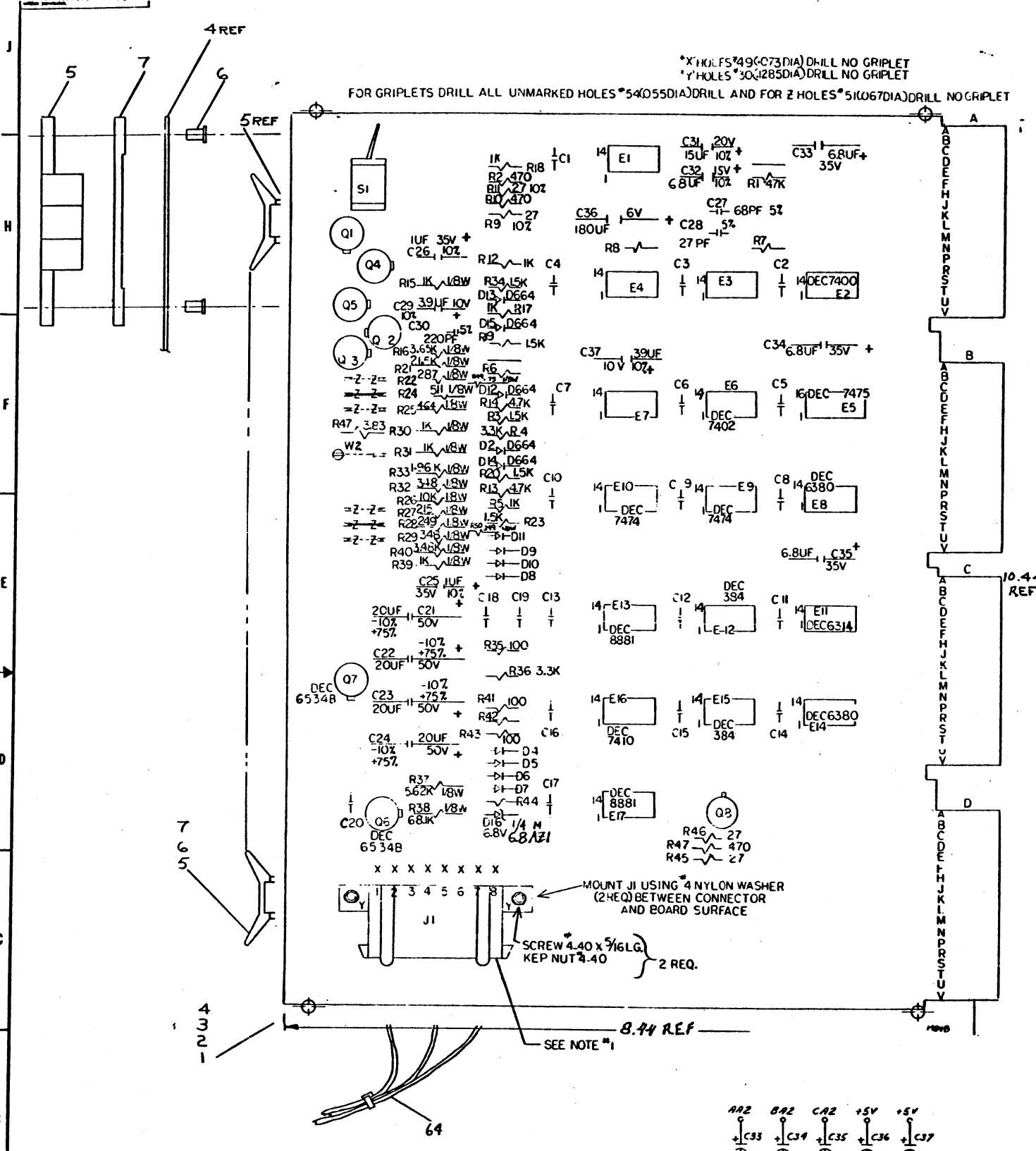
NOTES:
 1. FOR FIELD INSTALLATION:
 A. PLUG BOARD INTO OMNIBUS.
 B. IF THERE ARE NO CONNECTIONS TO J5 ON THE 724 POWER SUPPLY, OR IF (OPTION CONNECTOR) ON THE BIF C/BIN POWER SUPPLY, INSTALL THE RED LEAD INTO THE CENTER POSITION ON THE 3 CONTACT MATE-N-LOCK CONNECTOR. THEN INSTALL THE 2 WHITE LEADS IN THE 2 REMAINING POSITIONS.
 C. IF THE PROCESSOR HAS MORE THAN ONE OPTION THAT USES THE "OPTION CONNECTOR" (J1 B1M E B1J OR J5(B1E)) THE MODULES WILL BE CONNECTED IN PARALLEL TO THE POWER SUPPLY IN THE FOLLOWING MANNER: INSERT THE PINS FROM THE "POWER SUPPLY END" OF THE MATE-N-LOCK INTO THE VACANT SOCKETS OF THE "OTHER OPTIONS" EIGHT PIN MATE-N-LOCK USING THE TABLE BELOW.

WIRE COLOR	PIN #
RED	4E5
WHITE	1E2
WHITE	7E8

2. REMOVE JUMPER W2 FOR PDP/EIM & RIF

QTY	REF DESIGNATION	DESCRIPTION	PART NO.	ITEM NO.
2	R28, R50	RES. 249 1/8W 1%	1309767	71
1	R49	RES. 75 1/8W 1%	1303064	70
1	R24	RES. 511 1/8W 1%	1302411	69
1	R16	RES. 3.65K 1/8W. 1%	1304835	68
1	R48	RES. 3.83K 1/8W 1%	1309413	67
1	C32	CAP. 68UF 15V 10%	1030382	66
AM		WIRE #22 GA SOLID BUS POWER CABLE 20VAC	9107560-01	65
1	R25	RES. 464 1/4W 1%	1303047	63
2		WASHER FLAT #4 NYLON	9006706	62
2		NUT, KEPS #4-40 SST	9006557	61
2E		SCREW PHL #0 PAN #4-40X1/2	9006010-1	60
2E		SPRIT LUG	9006735	59
1	E11	IC DEC 6314	1909972	58
2	E8, E18	IC DEC 6380	1909977	57
2	E13, E17	IC DEC 8881	1909705	56
2	E12, E15	IC DEC 384	1909836	55
4	E1, E3, E4, E7	IC DEC 7401	1909373	54
1	E5	IC DEC 7402	1909373	53
1	E6	IC DEC 7402	1909373	52
1	E16	IC DEC 7410	1909004	51
1	E2	IC DEC 7400	1905876	50
2	E9, E10	IC DEC 7474	1905547	49
2	Q6, Q7	TRANSISTOR DEC 6534B	1503409-01	48
6	Q1, Q5, Q8	TRANSISTOR DEC 3009B	1503100	47
1	R23	RES. 47K 1/4W 5%	1300554	46
1	R36	RES. 68.1K 1/4W 1%	1305252	45
1	R37	RES. 5.62K 1/4W 1%	1305128	44
1	R27	RES. 215 1/4W 1%	1305123	43
1	R40	RES. 3.48K 1/4W 1%	1305114	42
2	E13, E14	RES. 4.7K 1/4 5%	1300447	41
2	R4, R36	RES. 3.3K 1/4W 5%	1300439	40
2	R39, R32	RES. 348 1/4W 1%	1304858	39
1	E23	RES. 1.96K 1/8W 1%	1304533	38
1	E26	RES. 10K 1/4W 1%	1303312	37
4	E5, E20, E21, E29	RES. 27.5K 1/4W 1%	1303155	36
1	E22	RES. 10K 1/4W 1%	1303114	35
1	E28	RES. 287 1/4W 1%	1305124	34
1	E25	RES. 82K 1/4W 1%	1305124	33
1	E1	RES. 47K 1/4W 5%	1302177	32
4	E9, E11, R45, R46	RES. 27 1/4W 10%	1301420	31
4	E3, E12, R17, R18	RES. 1K 1/4W 5%	1300365	30
4	R6, E7, E8, R44	RES. 10K 1/4W 5%	1300479	29
1	E3, E19, E34, Q20	RES. 1.5K 1/4W 5%	1300391	28
3	E2, E10, R47	RES. 470 1/4W 5%	1300316	27
3	R35, E41, E43	RES. 100 1/4W 5%	1300229	26
4E		GRIPLET, SMALL	1210244-0	25
1	S1	SWITCH, TOGGLE	1210209	24
1	J1	PIN SOCKET (MATE-N-LOCK)	1209456	23
1	J1	PIN HOUSING (MATE-N-LOCK)	1209340-00	22
3	D4-D11	DIODE 3672	1105275	21
1	D16	DIODE AZ1 4M6VZ1N90	1109941	20
1	D2, D12-D15	DIODE 664	1100114	19
1	C31	CAP. 15UF 20V 10%	1004812	18
1	C25, C26, C29	CAP. 20UF 35V 5%	1000039	17
1	C28	CAP. 10UF 35V 10%	1001776	16
1	C20	CAP. 27PF 100V 5%	1001739	15
20	C1-C20	CAP. .01UF 100V 20%	1001616	14
1	C36	CAP. 180UF 10V 20%	1000086	13
1	C37	CAP. 39UF 10V 20%	1000076	12
3	C33, C34, C35	CAP. 6.8UF 35V 20%	1000067	11
1	C29	CAP. 3.9UF 15V 10%	0000044	10
1	C30	CAP. 220PF 100V 5%	1000021	9
1	C27	CAP. 68PF 100V 5%	1000014	8
4		SPACER (CABLE CLAMP)	1202704	7
4		EYELET 654-11 STIMPSON	9006750	6
1		HANDLE FLIP CHIP-MAGENTA	900337-26	5
1		ETCHED CIRCUIT BOARD	8009382	4
REF		MODULE HISTORY LIST	BMM-11344-2-4	3
REF		ASSY/DRILLING HOLE LAYOUT	04M-M242-Z-5	2
REF		X-Y COORDINATE HOLE LOC	K-CO-1342-Z-4	1

*X HOLES .496(C73 DIA) DRILL NO GRIPLET
 *Y HOLES .30(.285 DIA) DRILL NO GRIPLET
 FOR GRIPLETS DRILL ALL UNMARKED HOLES .54(.055 DIA) DRILL AND FOR 2 HOLES .51(.067 DIA) DRILL NO GRIPLET



POWER FAIL THRESHOLDS

LINE	12V AC UPPER/LOWER THRESHOLD	230V AC UPPER/LOWER THRESHOLD	INSTALL JUMBERS
HIGH	105/95	190/170	C8F
NORMAL	90/80	175/155	B8E
LOW	80/70	160/140	A8D

NOTE:
 UPPER THRESHOLD RESTARTS COMPUTER
 LOWER THRESHOLD SETS POWER LOW FLAG.

IC PIN LOCATIONS	JUMPER LIST
DEC 6314	1 8
DEC 6380	1 8
DEC 384	1 8
K TYPE	GND 9W
	G5 22 J2A J2B
	G5 22 J1A J1B

DEC NO	EIA NO	DEC NO	EIA NO
6534B	MPS 6204		
3009B	2N3009		
421	421		
6672	1N3653		
6664	1N3606		

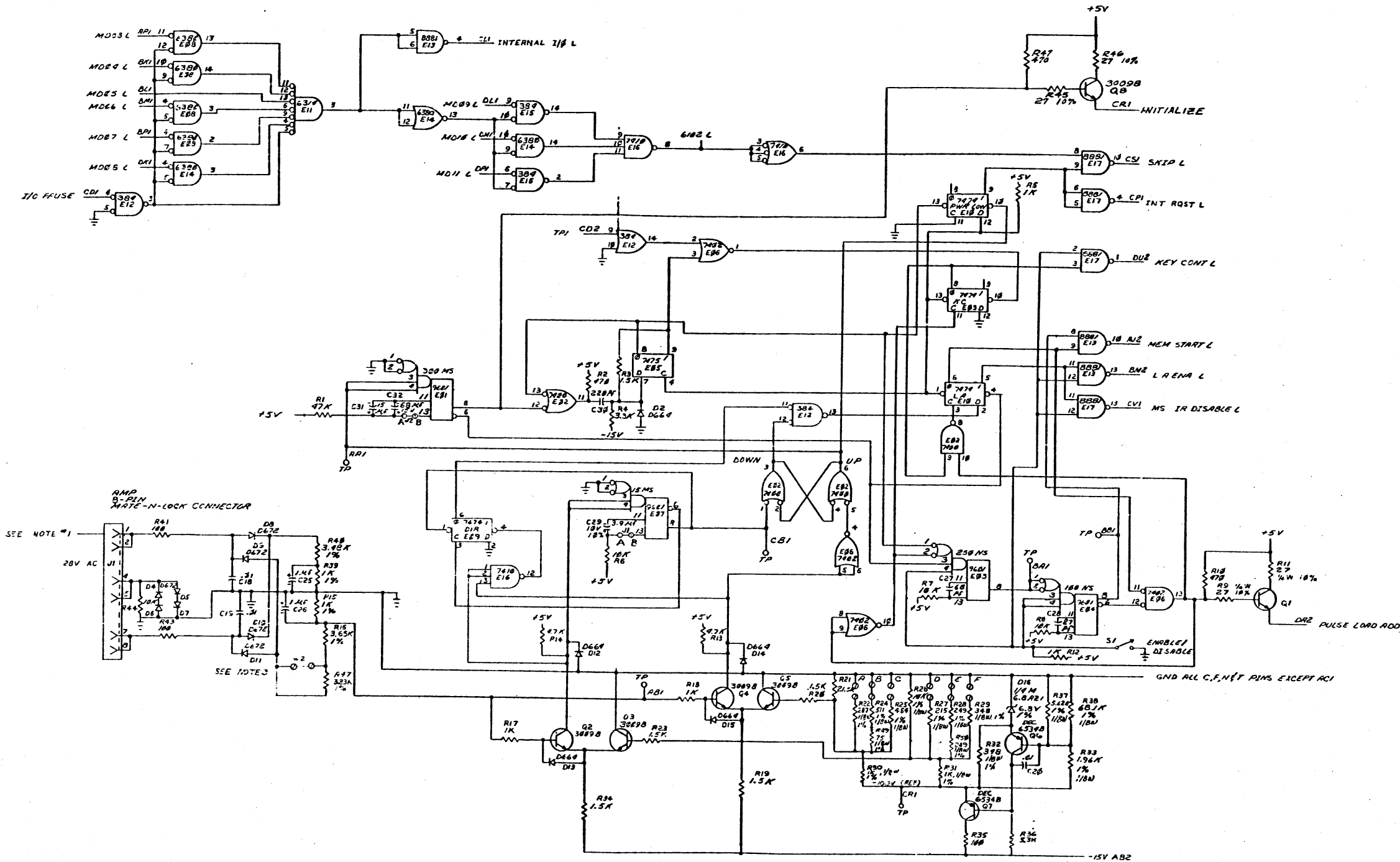
ETCH BOARD REV C D

EQUIPMENT CORPORATION

POWER FAIL & AUTO RESTART

DATE 2/11/72

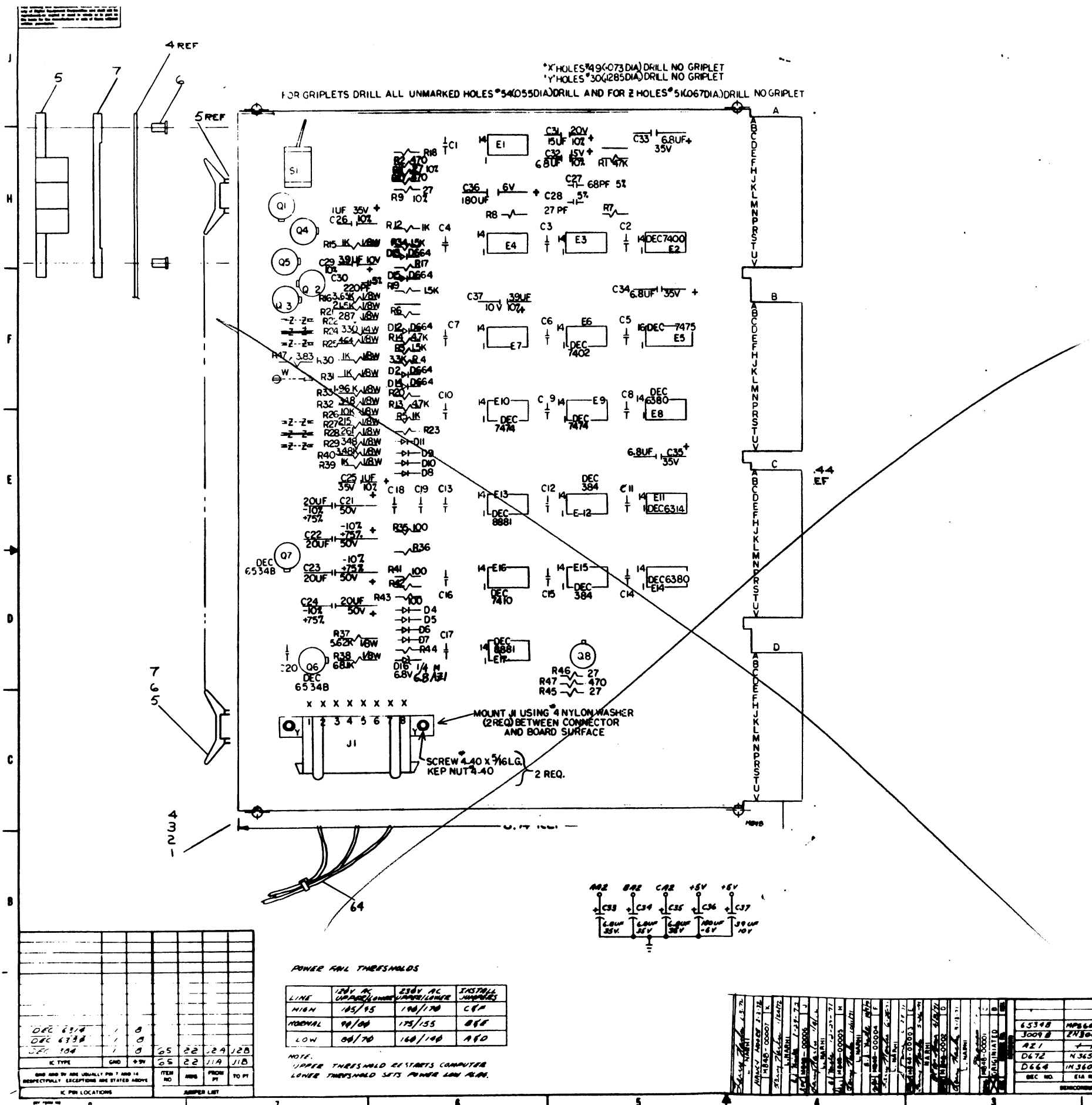
DESIGNER J. J. ...



UNLESS OTHERWISE SPECIFIED		DATE	
UNLESS OTHERWISE SPECIFIED		DATE	
UNLESS OTHERWISE SPECIFIED		DATE	
UNLESS OTHERWISE SPECIFIED		DATE	
UNLESS OTHERWISE SPECIFIED		DATE	
UNLESS OTHERWISE SPECIFIED		DATE	
UNLESS OTHERWISE SPECIFIED		DATE	
UNLESS OTHERWISE SPECIFIED		DATE	
UNLESS OTHERWISE SPECIFIED		DATE	
UNLESS OTHERWISE SPECIFIED		DATE	

QTY	DESCRIPTION	PART NO.	REF. NO.
PARTS LIST			
EQUIPMENT CORPORATION			
TITLE			
POWER FAIL & AUTO-RESTART			
SCALE			
SHEET 2 OF 2			
DRAWN BY			
CHECKED BY			
DATE			
BY			

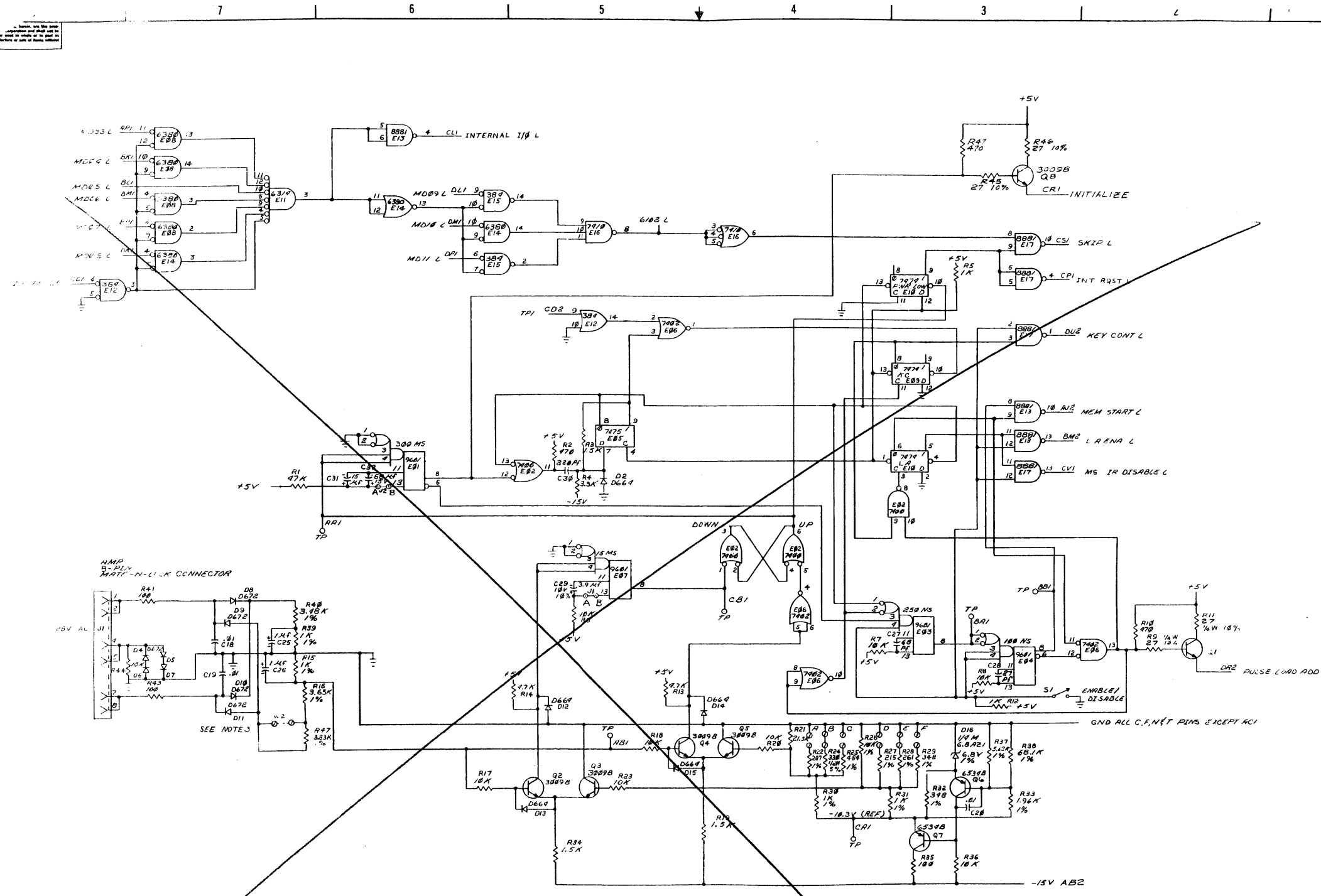
ECS M848-0-1 P



- NOTES:
- UNLESS NOTED:
RESISTORS = 10K 1/4W 5%
DIODES = D672
CAPACITORS = .01UF, 100V, 20%
IC'S = DEC 9401
 - FOR FIELD INSTALLATION:
A. PLUG BOARD INTO OMNIBUS.
B. IF THERE ARE NO CONNECTIONS TO JS ON THE 7/4 FOWH SUPPLY INSTALL THE RED LEAD INTO THE CENTER POSITION ON THE 3 CONTACT MATE-N-LOK CONNECTOR, THEN INSTALL THE 2 WHITE LEADS IN THE 2 REMAINING POSITIONS.
C. IF THERE ARE LEADS ALREADY IN JS, THE LEADS FROM THE M848 MUST BE "DAISY CHAINED" ONTO BOARD THAT'S USING JS. PLUG THE M848 LEADS INTO B PINS MATE-N-LOK ONTO BOARD THAT'S USING JS. PLUG THE RED LEAD NEXT TO THE RED LEAD THAT'S ALREADY THERE AND DO THE SAME FOR THE 2 WHITE LEADS.
D. REMOVE JUMPER W2 FOR PDP8/M

QTY	REF DESIGNATION	DESCRIPTION	PART NO.
1	R16	RES. 3.65K 1/4W 1%	130945
1	R48	RES. 3.83K 1/4W 1%	130943
1	C32	CAP .01UF 15V 10%	130302
1	AM	WIRE 22 GA SOLID BUS	9107500-01
1		WIRE GAUGE 28 WIRE	9107500-01
1		WIRE GAUGE 14 W 1%	130309
1	R25	RES. 1.5K 1/4W 5%	130670
1		WASHER FLAT 1/4" DIA	900670
1		NUT, NERS 4-40 35T	900672
1		SCR PIN W/ PAN # 401346	900610-1
1		SPLIT LOG	900675
1	E11	IC DEC 6314	100992
2	E14	IC DEC 6380	100997
2	E13	IC DEC 6001	100995
2	E12	IC DEC 384	100998
2	E15, E14, E7	IC DEC 9401	100999
1	E5	IC DEC 7475	100980
1	E6	IC DEC 7402	100900
1	E16	IC DEC 7410	100556
1	E8	IC DEC 7400	100559
2	E9, E10	IC DEC 7474	100554
2	Q6, Q7	TRANSISTOR DEC 6534B	130940
2	Q1-Q5, Q8	TRANSISTOR DEC 6009B	130310
1	R24	RES. 330 1/4W 5%	130094
1	R38	RES. 68.1K 1/4W 1%	130522
1	R37	RES. 5.62K 1/4W 1%	130523
1	R27	RES. 2.5 1/4W 5%	130513
1	R40	RES. 3.48K 1/4W 1%	130314
2	R13, R14	RES. 4.7K 1/4W 5%	130047
1	R4	RES. 3.37 1/4W 5%	130049
2	R29, R32	RES. 370 1/4W 5%	130483
1	R39	RES. 300 1/4W 5%	130484
1	R26	RES. 107 1/4W 5%	130312
1	R21	RES. 21.5K 1/4W 1%	130314
4	R20, R23, R21, R29	RES. 1K 1/4W 1%	130314
1	R22	RES. 207 1/4W 1%	130324
1	R28	RES. 261 1/4W 5%	130287
1	R1	RES. 47K 1/4W 5%	102177
4	R11, R15, R16	RES. 17 1/4W 10%	130420
2	R2, R12	RES. 1K 1/4W 5%	100365
1	R4, R13, R17, R18, R44	RES. 1K 1/4W 5%	100479
3	R19, R23, R24	RES. 1.5K 1/4W 5%	130091
3	R2, R10, R47	RES. 470 1/4W 5%	130016
3	R35, R41, R43	RES. 100 1/4W 5%	130229
4		WIRE 22 GA	130242
1	J1	SWITCH TOGGLE	101225
1	J1	3/4 HOUS NG WATER LOCK	101225
1	J1	3/4 HOUS NG WATER LOCK	101225
1	D4-D11	DIODE 5.72	105715
1	D16	DIODE AZI W/ RIZING	104981
1	D7, D12-D15	DIODE 664	CC 4
1	C31	CAP .01UF 20V 10%	4812
1	C25, C26, C27	CAP .001UF 50V 20%	100507
2	C25, C26	CAP .01UF 35V 20%	100776
1	C28	CAP .01UF 100V 20%	101739
20	C1-C20	CAP .01UF 100V 20%	101610
1	C36	CAP .01UF 6V 20%	100086
1	C37	CAP .01UF 10V 20%	100078
3	C31, C34, C35	CAP .01UF 35V 20%	100067
1	C21	CAP .01UF 15V 20%	100064
1	C30	CAP .01UF 100V 5%	101002
1	C27	CAP .01UF 100V 5%	101014
4		SPACER (CABLE CLAMP)	102704
1		EYELET G54-II STIMPSON	9006750
1		HANDLE FLIP CHIP 106574	9006750
1		ETCHED CIRCUIT BOARD	9006750
1		MODULE HISTORY LIST	BMM-1044-04
1		ASSY/DRILLING HOLE LAYOUT	DAM-1044-04
1		X-Y COORDINATE HOLE LOC	K-COM-1044-04

ETCH BOARD REV	C	D
6534B	MP6600	
3009B	2N3009	
A21		
D672	N3453	
D664	IN3606	



NMP
2-DIX
MATH-N-LINK CONNECTOR

SEE NOTE 3

GND ALL C.F.N.T PINS EXCEPT AC1

QTY	DESCRIPTION	PART NO.	ITEM NO.
PARTS LIST			
UNLESS OTHERWISE SPECIFIED:			
DIMENSIONS IN INCHES			
TOLERANCES			
DECIMALS FRACTIONS ANGLES			
±.005 ±.010 ±.020 ±.050 ±.100 ±.150 ±.250 ±.500 ±1.000			
FINISH REMOVE BURRS AND BREAK SHARP CORNERS			
MATERIAL			
SCALE NONE			
SHEET 2 OF 2			
DATE 10-22-72		DATE 10-22-72	
DRAWN		DATE 10-22-72	
ENGR		DATE 10-22-72	
PROJ ENGR		DATE 10-22-72	
PRCD		DATE 10-22-72	
TITLE		NUMBER	
POWER FAIL		ECS M848-0-1	
AUTO-RESTART		REV	
CORPORATION		REV	

ECS M848-0-1

DATE 10-22-72