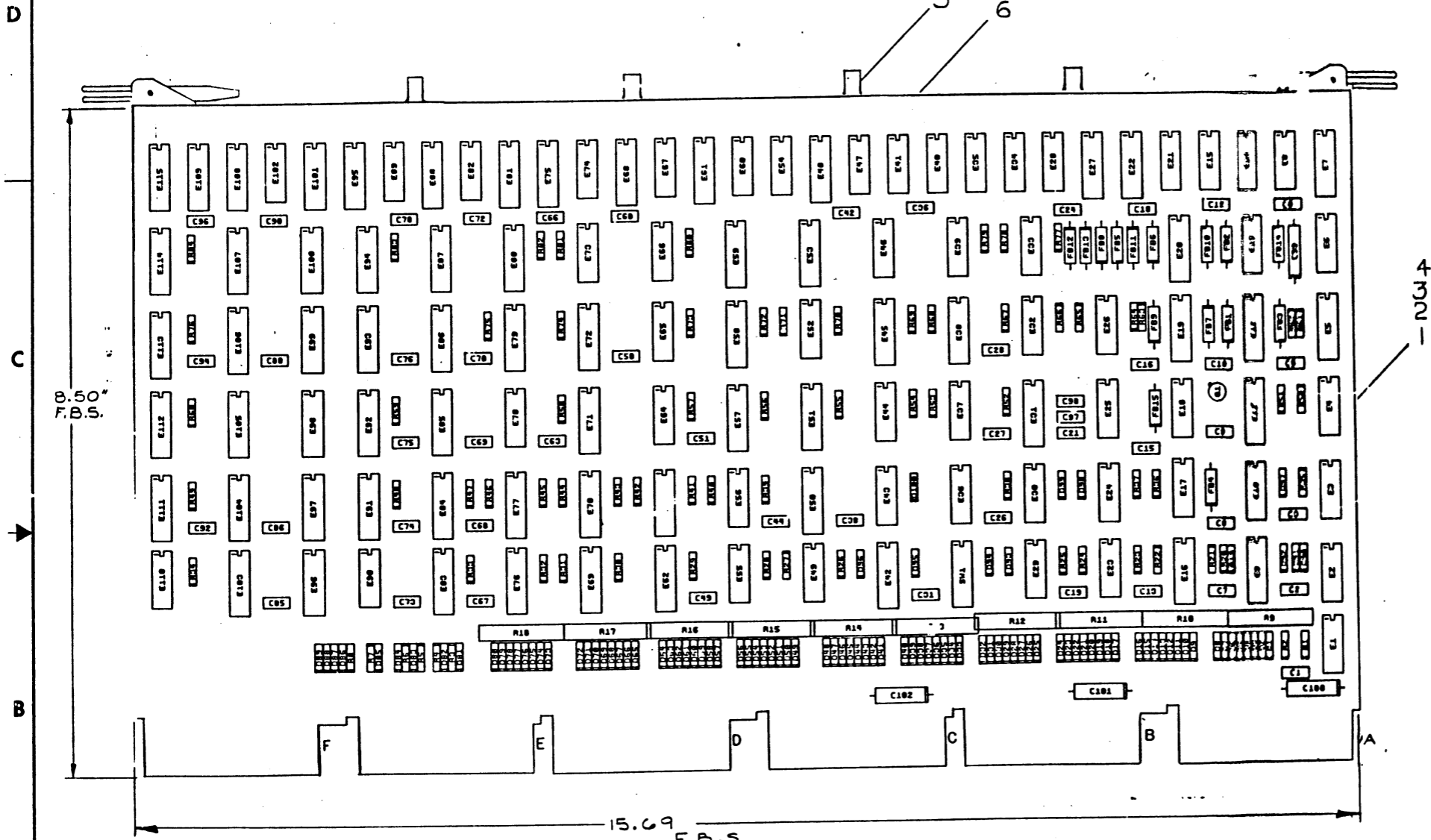


THIS DRAWING AND SPECIFICATIONS, HEREIN, ARE THE PROPERTY OF DIGITAL EQUIPMENT CORPORATION AND SHALL NOT BE REPRODUCED OR COPIED OR USED IN WHOLE OR IN PART AS THE BASIS FOR THE MANUFACTURE OR SALE OF ITEMS WITHOUT WRITTEN PERMISSION.  
 COPYRIGHT © 1974 DIGITAL EQUIPMENT CORPORATION

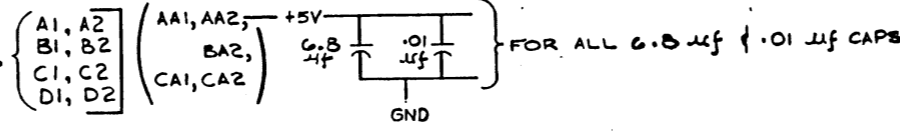
**NOTES:**

1. ALL UNLABELED DIODES ARE DEC TYPE DGG4
2. +3V, +3VA AND +3VB GENERATION ON SHEET # 8
- ~~3. FOR ETCH CUTS REFER TO D-AH-M8315-0-3~~
- ~~4. 0 ETCH CUTS~~



IC 74157	8	16
745159	8	16
74163	8	16
745175	8	16
745194	8	16
380	1	8
8097	8	16
8235	8	16
8234	8	16
8271	8	16
74173-1	8	16
256 BIT ROM	8	16
IC TYPE	GND	+5V

GND.	CONNECTION—PINS C,F,N,T ON CONNECTORS	8	16
1024 BIT ROM		8	16
7442		8	16
7483		12	5
74120		8	16
74123		8	16
745139		8	16
74151		8	16
74153		8	16
IC TYPE	GND	+5V	



REF	X-Y COORDINATE HOLE LOCATION	K-CO-M8315-0-4	1
REF	ASSY/DRILLING HOLE LAYOUT	D-AH-M8315-0-5	2
REF	MODULE ECO HISTORY	B-MH-8315-0-8	3
1	ETCHED CIRCUIT BOARD	5010932	4
1	HEX BOARD HANDLE ASSY	1210711-2	5
12	EYELETS	9006732	6
3	C100 THRU C102	CAP 0.01uf 35V 10%	7
2	C97,C98	CAP .047uf 16V DISC	8
1	C99	CAP 15uf 20V 10%	9
48	C1 THRU C3, C5 THRU C10, C12, C13, C15, C18, C19, C21, C24, C26, C27, C28, C31, C38, C39, C42, C44, C49, C51, C58, C60, C63, C68 THRU C70, C72 THRU C76, C78, C85, C88, C89, C90, C92, C94, C98	CAP .01uf 100V DISC	10
8	D88 THRU D92, D97	DIODE D882	11
92	D1 THRU D85, D93 THRU D98, D98 THRU D100	DIODE D864	12
1	SW1	DIP SWITCH PACKAGE	13
11	R2, R5, R6, R8, R19, R36, R62 THRU R66	RES 390 1/4W 5%	14
12	R1, R3, R4, R7, R20, R21, R23 THRU R26, R35, R37	RES 470 1/4W 5%	15
45	R22, R27, R29 THRU R34, R39 THRU R49, R52, R53, R55 THRU R60, R67 THRU R84	RES 1K 1/4W 5%	16
1	R28	RES 3.3K 1/4W 5%	17
1	R81	RES 22K 1/4W 5%	18
2	R50, R51	RES 27 1/4W 5%	19
5	R9, R10, R13, R14, R18	RES PACK 390 OHM	20
5	R11, R12, R15, R16, R17	RES PACK 470 OHM	21
2	R38, R54	RES 150 1/4W 5%	22
1	Q1	TRANSISTOR DEC 3009B	23
15	FB1 THRU FB15	FERRITE BEAD CHOKE	24
1	E2	20 MHZ X'TAL OSC	25
8	E1, E10, E17, E26, E29, E46	IC DEC 74500	26
1	E33	IC DEC 7402	27
8	E3, E23, E25, E40, E58, E78, E82, E89	IC DEC 74504	28
3	E47, E65, E74	IC DEC 7408	29
3	E24, E64, E90	IC DEC 74510	30
2	E13, E28	IC DEC 74511	31
1	E60	IC DEC 7412	32
3	E44, E49, E52	IC DEC 7417	33
2	E110, E102	IC DEC 74H21	34
1	E54	IC DEC 7430	35
3	E41, E43, E66	IC DEC 7432	36
1	E14	IC DEC 7437	37
2	E18, E32	IC DEC 74540	38
1	E71	IC DEC 7442	39
2	E4, E6	IC DEC 74551	40
4	E8, E15, E21, E34	IC DEC 74574	41
3	E85, E101, E113	IC DEC 7483	42
3	E19, E22, E27	IC DEC 74120	43
1	E7	IC DEC 74123	44
2	E20, E58	IC DEC 745139	45
2	E48, E59	IC DEC 74151	46
1	E45	IC DEC 74153	47

FIRST USED ON OPTION MODEL: PDP8 A

ETCH BOARD REV. E

DRN. DATE 10/1/74  
 CHRY. DATE 11/1/74  
 ENR. DATE 11/1/74  
 PROD. DATE 11/1/74

digital

TITLE: HEX OMNIBUS CPU

SIZE CODE: DCS NUMBER: M8315-0-1 R.V. F

SCALE: 1 OF 10

SEMICONDUCTOR CONVERSION CHART

DEC NO. EIA NO. DEC NO. EIA NO.

REVISIONS: W. KLOTZ, L. KLOTZ, H. KLOTZ, J. KLOTZ, M. KLOTZ, N. KLOTZ, O. KLOTZ, P. KLOTZ, Q. KLOTZ, R. KLOTZ, S. KLOTZ, T. KLOTZ, U. KLOTZ, V. KLOTZ, W. KLOTZ, X. KLOTZ, Y. KLOTZ, Z. KLOTZ

THIS DRAWING AND SPECIFICATIONS HEREIN ARE THE PROPERTY OF DIGITAL EQUIPMENT CORPORATION AND SHALL NOT BE REPRODUCED OR COPIED OR USED IN WHOLE OR IN PART AS THE BASIS FOR THE MANUFACTURE OR SALE OF ITEMS WITHOUT WRITTEN PERMISSION OF DIGITAL EQUIPMENT CORPORATION.

1	E51	IC DEC 74157	1910655	48
7	E68, E79, E88, E95, E107, E109, E115	IC DEC 74S158	1910549	49
3	E75, E93, E94	IC DEC 74163	1911713	50
2	E5, E42	IC DEC 74S175	1910957	51
8	E9, E11, E12, E16, E61, E99, E100, E114	IC DEC 74S194	1910552	52
1	E36	IC DEC 380	1909485	53
2	E67, E73	IC DEC 8093	1910837	54
4	E77, E84, E104, E105	IC DEC 8097	1911527	55
3	E90, E86, E98	IC DEC 8234	1911315	56
3	E81, E87, E92	IC DEC 8235	1909935	57
1	E31	IC DEC 8271	1909615	58
5	E30, E35, E37, E39, E55	IC DEC 8881	1909705	59
11	E50, E62, E83, E91, E96, E97, E103, E106, E108, E111, E112	IC DEC 74173-1	1911320-01	60
1	E69	256 BIT ROM (A)	23078A1	61
1	E57	256 BIT ROM (B)	23077A1	62
1	E70	256 BIT ROM (C)	23076A1	63
1	E72	256 BIT ROM (D)	23075A1	64
1	E76	256 BIT ROM (E)	23074A1	65
1	E63	256 BIT ROM (H)	23073A1	66
1	E38	256 BIT ROM (J)	23079A1	67
1	E53	1024 BIT ROM (F)	23080A2	68
6	WIPE	30AWS GREEN	9105740	69

SWITCH SELECTION CHART  
(FOR AUTO RESTART LOCATION)

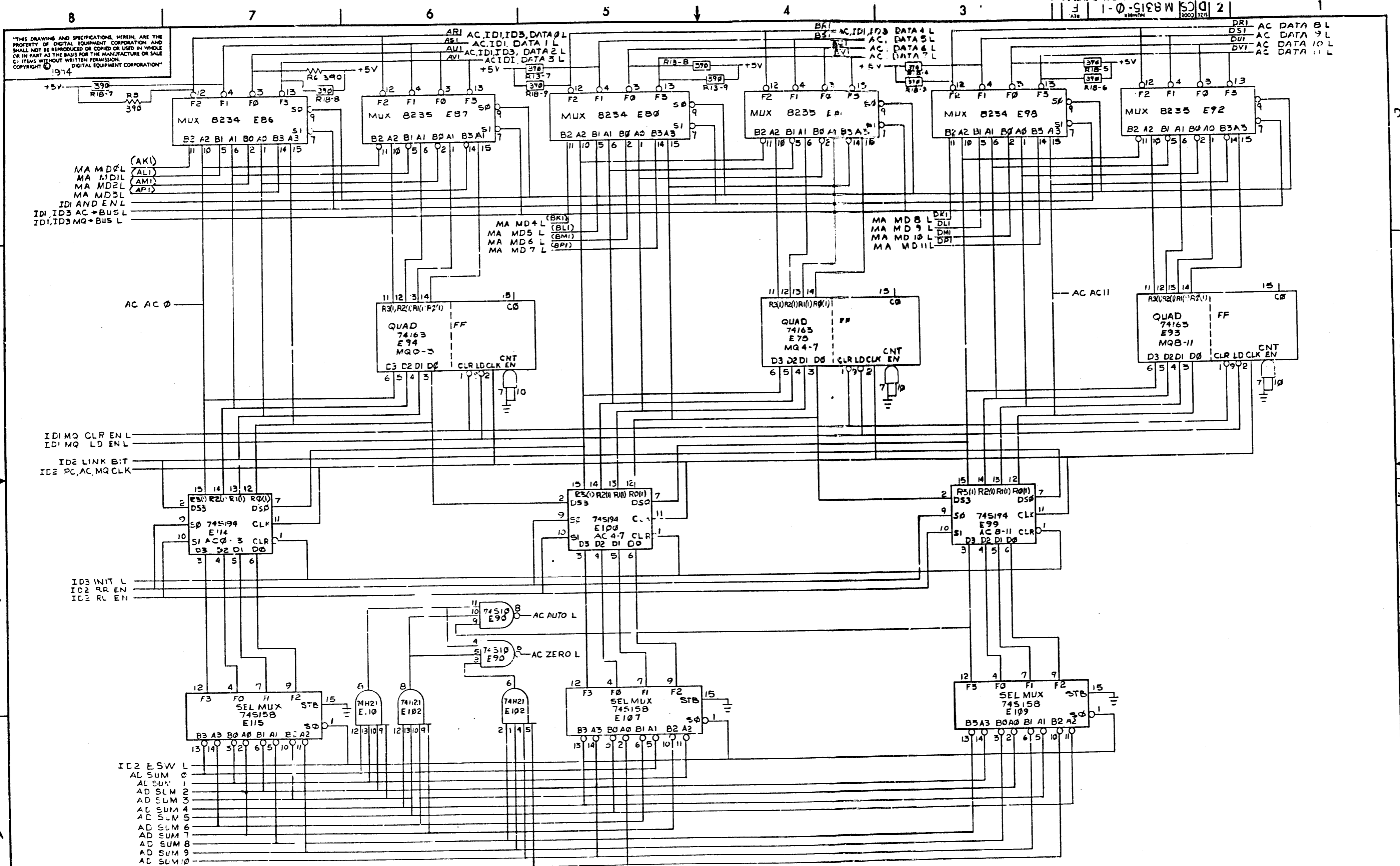
SWI-	1	FIELD 7
	2	4200
	3	2200
	4	1020
	5	420
	6	200
	7	OFF (DISABLES AUTO RESTART)
	8	OFF FOR NORMAL OPERATION

ONLY ONE SWITCH  
MAY BE CLOSED AT A TIME.

COMPONENT SUBSTITUTION CHART

PART CALLED FOR			SUBSTITUTE PART		
QTY	PART NO	DESC	QTY	PART NO	DESC
1	1909485	IC 380	1	1910392	3350
			1	1909971	3380
			1	1910390	7330
			1	1911269	8640

REVISIONS		
CHK	CHANGE NO	REV



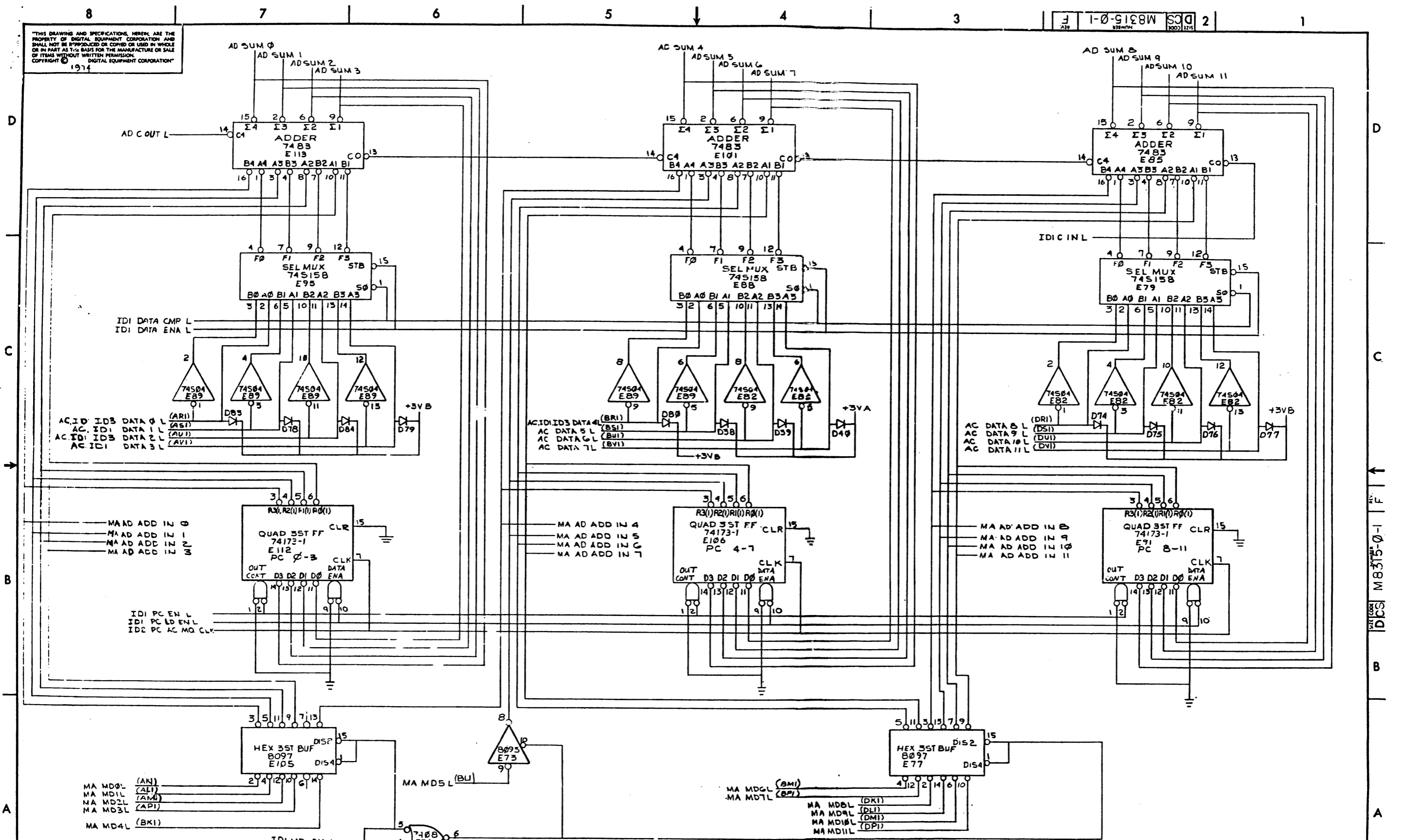
"THIS DRAWING AND SPECIFICATIONS, HEREIN, ARE THE PROPERTY OF DIGITAL EQUIPMENT CORPORATION AND SHALL NOT BE REPRODUCED OR COPIED OR USED IN WHOLE OR IN PART AS THE BASIS FOR THE MANUFACTURE OR SALE OF ITEMS WITHOUT WRITTEN PERMISSION. DIGITAL EQUIPMENT CORPORATION. COPYRIGHT © 1974."

REVISIONS		
CHK	CHANGE NO	REV

TITLE PDP8A CPU	SIZE CODE (AC) DCC	NUMBER M8315-0-1	REV. F
SCALE	SHEET 3 OF 10		

DCC M8315-0-1  
 REV. F

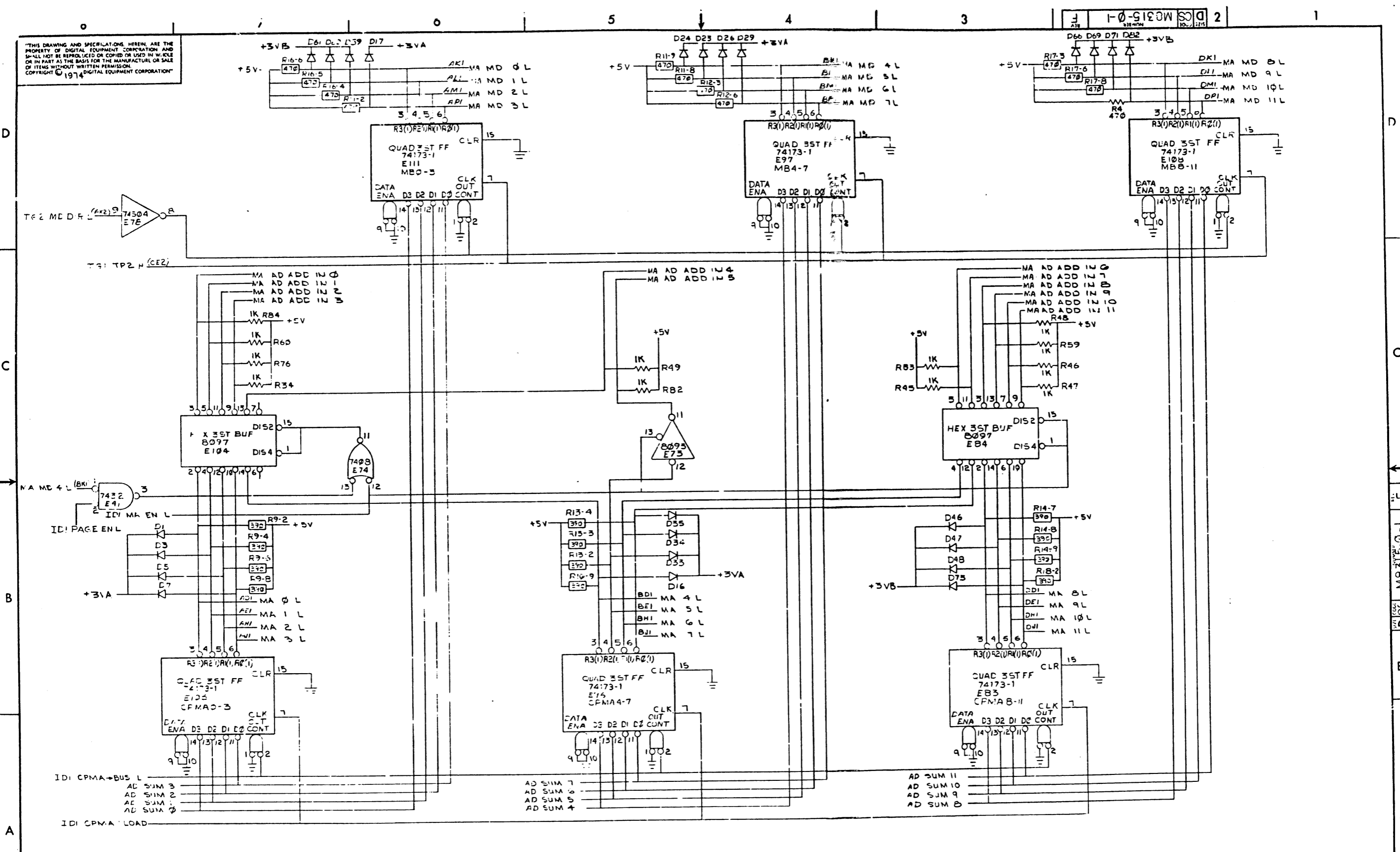
"THIS DRAWING AND SPECIFICATIONS HEREIN ARE THE PROPERTY OF DIGITAL EQUIPMENT CORPORATION AND SHALL NOT BE REPRODUCED OR COPIED OR USED IN WHOLE OR IN PART AS A BASIS FOR THE MANUFACTURE OR SALE OF ITEMS WITHOUT WRITTEN PERMISSION. COPYRIGHT © 1974 DIGITAL EQUIPMENT CORPORATION"



REVISIONS		
CHK	CHANGE NO.	REV.

TITLE	PDP8A CPU	SIZE CODE	(AD) DCS	NUMBER	M8315-0-1	REV.	F
SCALE	1/1	SHEET	4 OF 10	DIST.			

THIS DRAWING AND SPECIFICATIONS HEREIN ARE THE PROPERTY OF DIGITAL EQUIPMENT CORPORATION AND SHALL NOT BE REPRODUCED OR COPIED OR USED IN WHOLE OR IN PART AS THE BASIS FOR THE MANUFACTURE OR SALE OF ITEMS WITHOUT WRITTEN PERMISSION. COPYRIGHT © 1974 DIGITAL EQUIPMENT CORPORATION



REVISIONS		
CHK	CHANGE NO	REV

TITLE	PDP9A CPU (MA)	SIZE CODE	D.S.	NUMBER	13315-0-1	REV.	F
SCALE		SHEET	5	OF	10	DIST.	