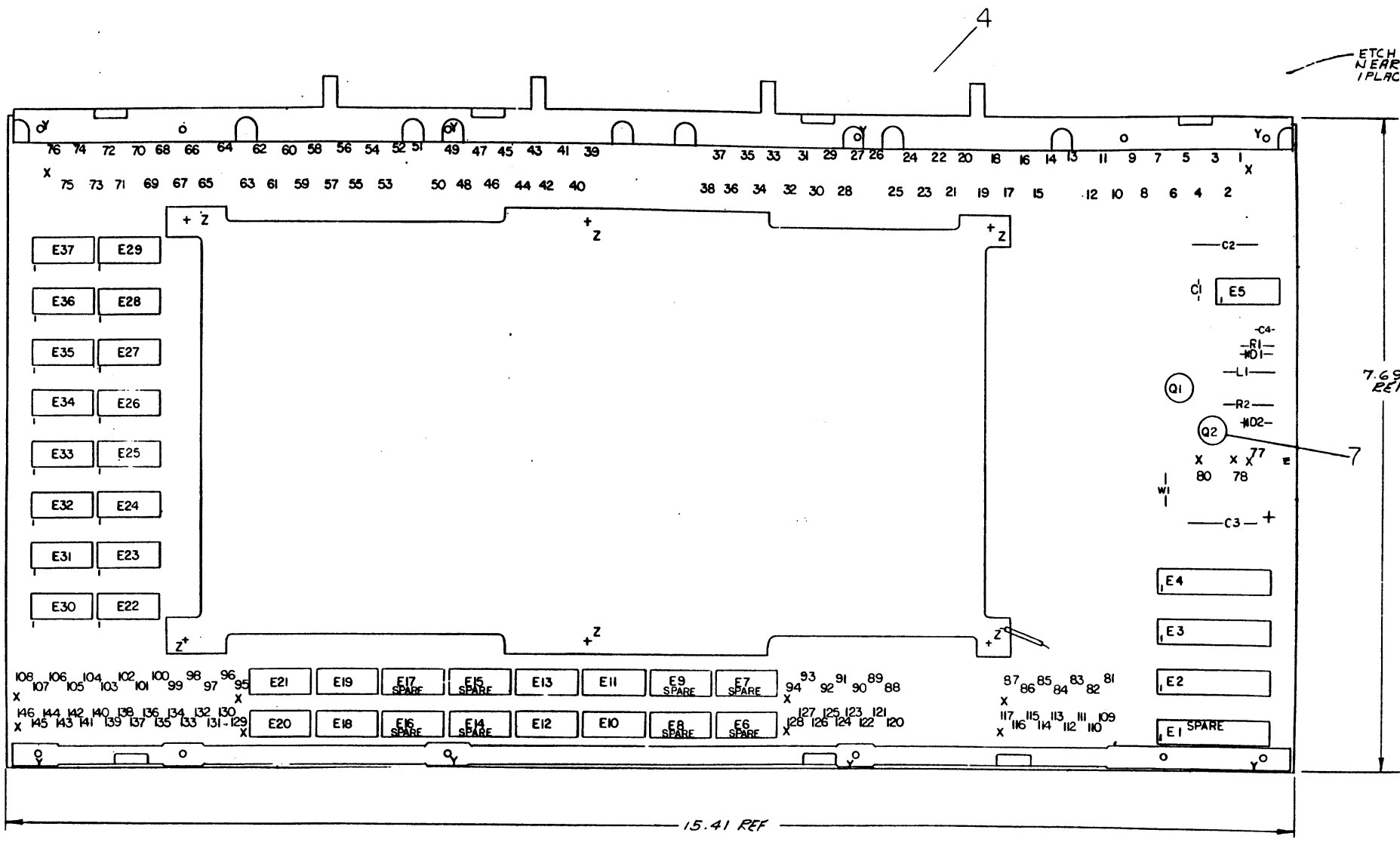


"THIS DRAWING AND SPECIFICATIONS, HEREIN, ARE THE PROPERTY OF DIGITAL EQUIPMENT CORPORATION AND SHALL NOT BE REPRODUCED OR COPIED OR USED IN WHOLE OR IN PART AS THE BASIS FOR THE MANUFACTURE OR SALE OF ITEMS WITHOUT WRITTEN PERMISSION. COPYRIGHT © 1974 DIGITAL EQUIPMENT CORPORATION"

NOTES:

1. E1, E2 THRU E9, AND E14 THRU E17 ARE SPARES.
2. OMIT PINS, 79, 118, 119



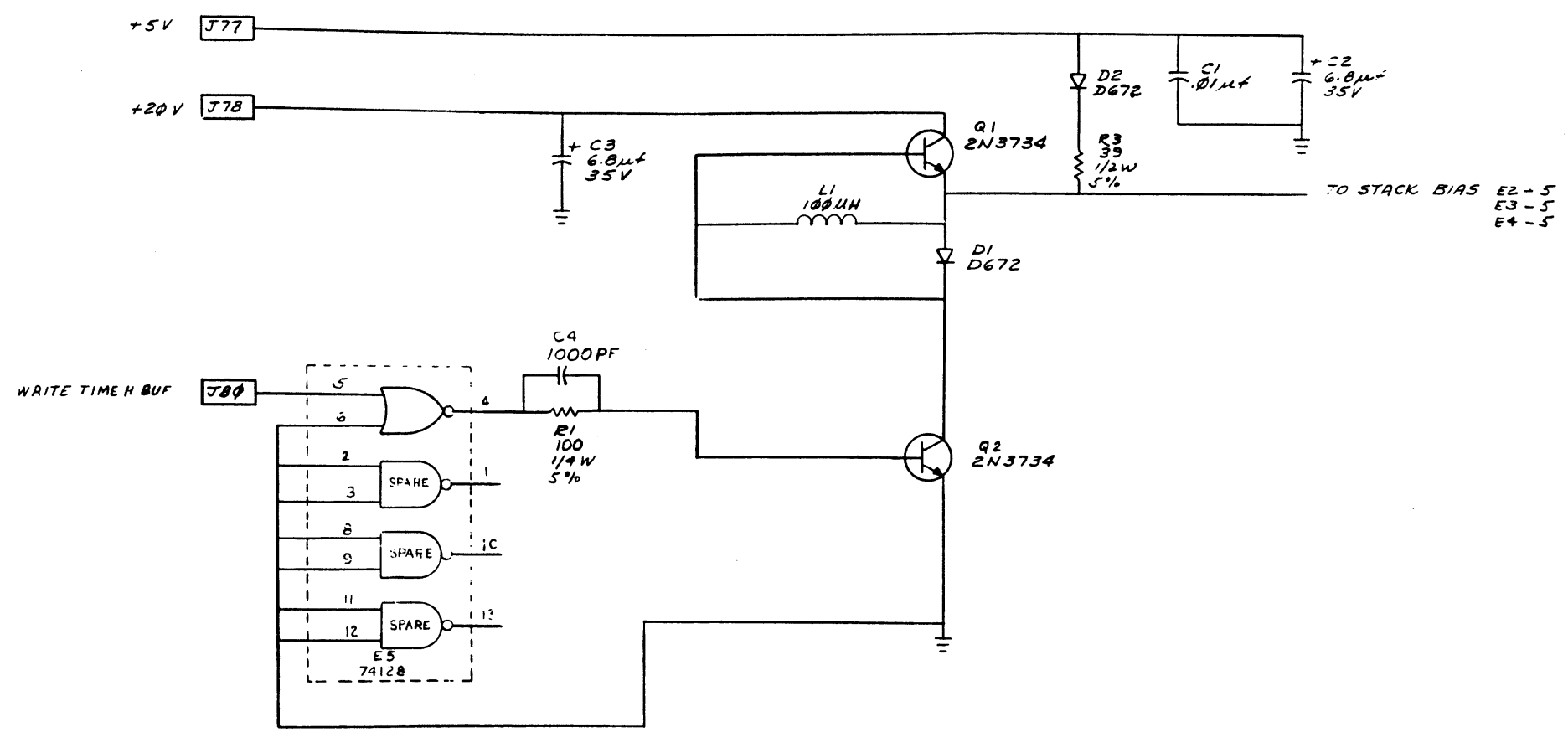
REF	X-Y COORDINATE HOLE LOCATION	K-CO-5411531-0-1	REV	
REF	ASSY/DRILLING HOLE LAYOUT	D-AH-5411531-0-5	2	
REF	MODULE ECO HISTORY	B-MH-5411531-0-6	3	
1	ETCHED CIRCUIT BOARD	5010986-00	4	
1	CI	CAP .01UF 100V 20%	5	
2	C2, C3	CAP 6.8UF 35V 10% S.TANT	6	
3	TRANSI PRD	9007201-00	7	
2	D1, D2	DIODE D672	8	
1	E2	RES 39 1/2W 5%	10	
3	E2, E3, E4	RES PACK (8-220 CKTS 4/1 COM)	11	
2	Q1, Q2	TRANS 3734	12	
1	L1	INDUCTOR, DD100	13	
1	E5	I.C. 74128	14	
24	E10 - E13, E18 - E37	I.C. 2501	15	
99	J73, J78, J89, J85 - J108, J113 - J117, J120 - J146, J1 - J3, J7 - J9, J13 - J16, J20 - J22, J26 - J29, J33 - J35, J39 - J41, J45 - J47, J51 - J54, J58 - J60, J64 - J67, J71 - J3	CONTACT, MALE SEE NOTE 2	16	
1	W1	JUMPER	9009180-00	17
1	R3	RES 100 1/4 W 5%	1300229-00	18
1	C4	CAP 1000 PF	1000042-00	19

QTY	REF. DESIGNATION	DESCRIPTION	PART NO.	ITEM NO.

IC TYPE	GND	+5V
74128	7	14
GND AND 5V ARE USUALLY PIN 7 AND 14 RESPECTIVELY EXCEPTIONS ARE STATED ABOVE		
IC PIN LOCATIONS		

FIRST USED ON OPTION MODEL PDP-8A-MEM		ETCH BOARD REV. B	
PPN: NETSER CHK'D: [Signature] ENG: [Signature] PROJ. ENG: [Signature] PRG: [Signature]		DATE: 12/8/74 DATE: 12/18/74 DATE: 12-16-74 DATE: 12/17/74 DATE: 12/17/74	
C. GRANGER 5411531-0-001 3-19-74			
DEC NO. EIA NO. DEC NO. EIA NO.		TITLE: CORE MEMORY STACK 8K	
SCALE: 1 OF 4		NUMBER: 1 REV: A	
SEMICONDUCTOR CONVERSION CHART			

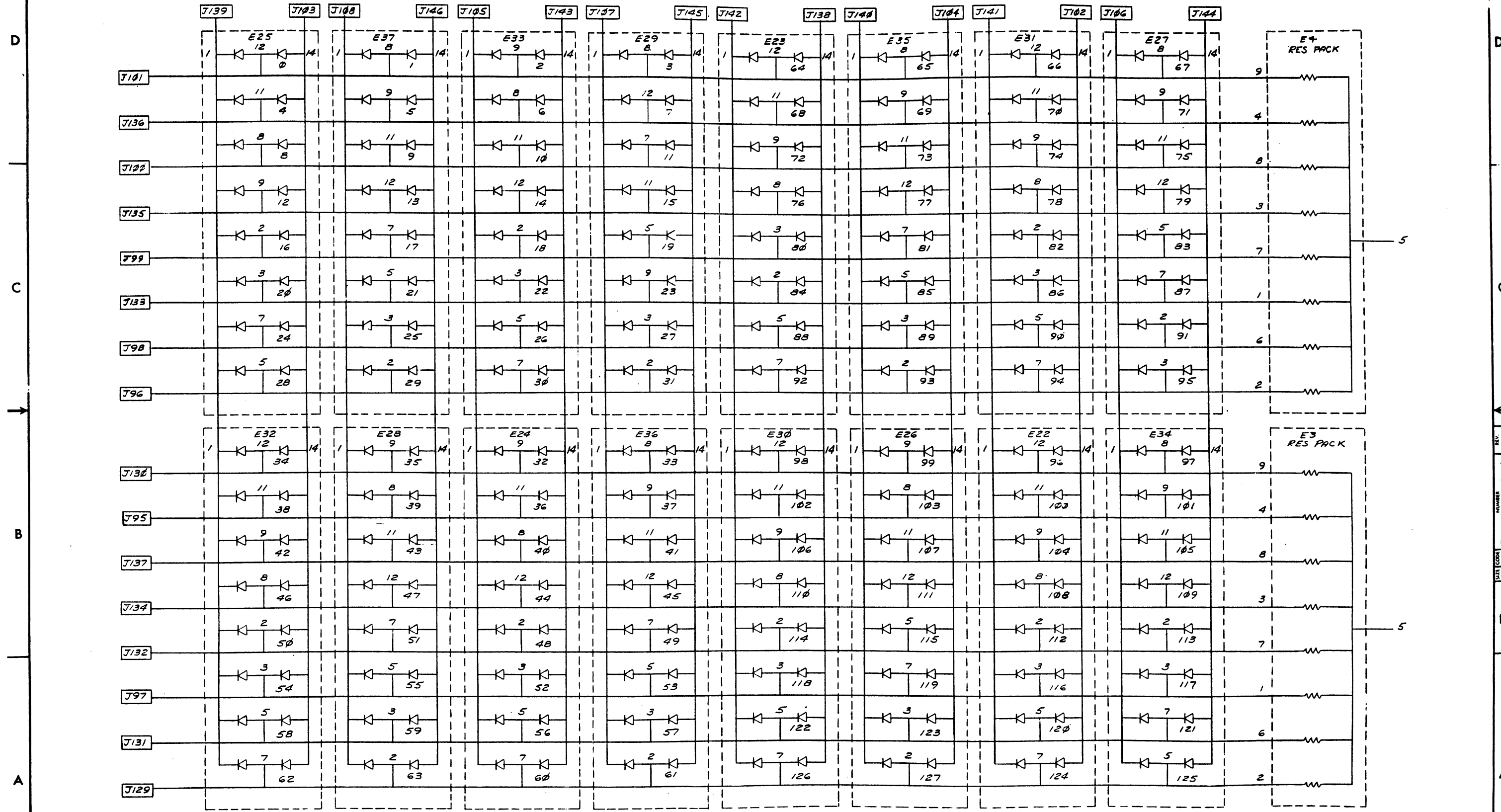
"THIS DRAWING AND SPECIFICATIONS HEREIN ARE THE PROPERTY OF DIGITAL EQUIPMENT CORPORATION AND SHALL NOT BE REPRODUCED OR COPIED OR USED IN WHOLE OR IN PART AS THE BASIS FOR THE MANUFACTURE OR SALE OF ITEMS WITHOUT WRITTEN PERMISSION. COPYRIGHT © 1974 DIGITAL EQUIPMENT CORPORATION"



REV. A
NUMBER
5411531-0-1

REVISIONS		
CHK	CHANGE NO.	REV.

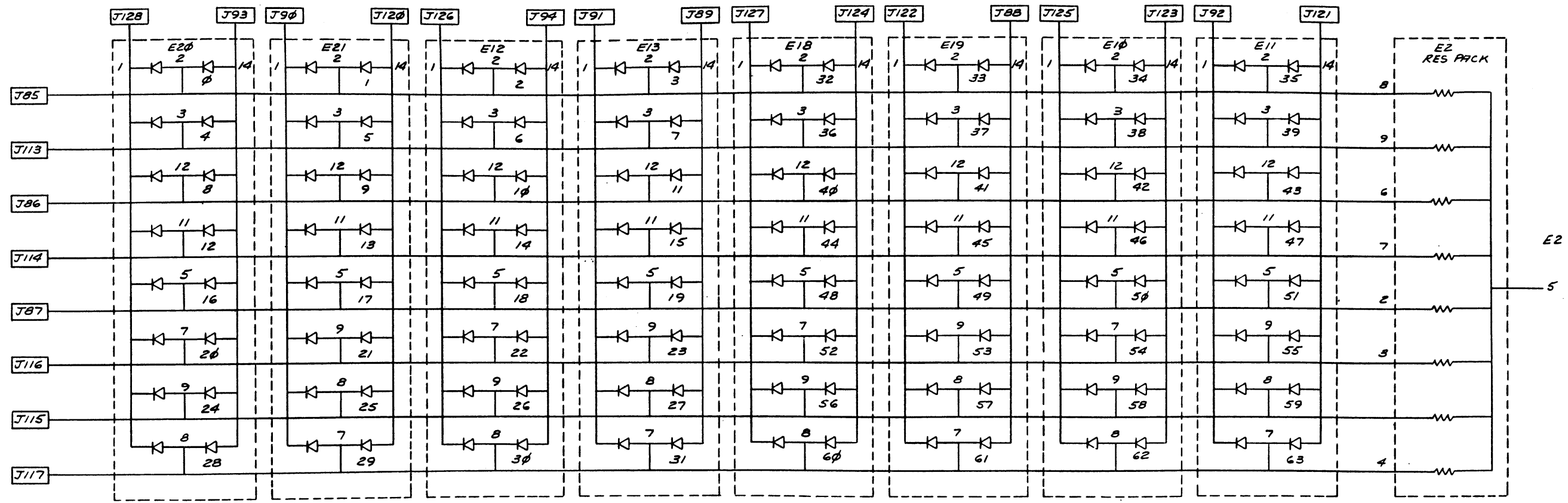
"THIS DRAWING AND SPECIFICATIONS HEREIN ARE THE PROPERTY OF DIGITAL EQUIPMENT CORPORATION AND SHALL NOT BE REPRODUCED OR COPIED OR USED IN WHOLE OR IN PART AS THE BASIS FOR THE MANUFACTURE OR SALE OF ITEMS WITHOUT WRITTEN PERMISSION. COPYRIGHT © 1974 DIGITAL EQUIPMENT CORPORATION"



REVISIONS		
CHK	CHANGE NO.	REV.

TITLE CORE MEMORY STACK 8K		SIZE CODE DCS	NUMBER 5411531-0-1	REV. A
SCALE	SHEET 3 OF 4	DIST.		

"THIS DRAWING AND SPECIFICATIONS HEREIN ARE THE PROPERTY OF DIGITAL EQUIPMENT CORPORATION AND SHALL NOT BE REPRODUCED OR COPIED OR USED IN WHOLE OR IN PART AS THE BASIS FOR THE MANUFACTURE OR SALE OF ITEMS WITHOUT WRITTEN PERMISSION. COPYRIGHT © 1974 DIGITAL EQUIPMENT CORPORATION"



REVISIONS		
CHK	CHANGE NO.	REV.

"Y" DRIVE DIMENSION DIODE MATRIX

TITLE	CORE MEMORY STACK 8K	SIZE CODE	D CS	NUMBER	5411531-0-1	REV.	A
SCALE	+	SHEET	4	OF	4	DIST.	

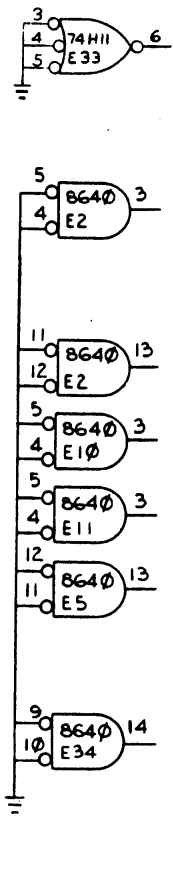
REV. A
 DCS 5411531-0-1

THIS DRAWING AND SPECIFICATIONS HEREIN ARE THE PROPERTY OF DIGITAL EQUIPMENT CORPORATION AND SHALL NOT BE REPRODUCED OR COPIED OR USED IN WHOLE OR IN PART AS THE BASIS FOR THE MANUFACTURE OR SALE OF ITEMS WITHOUT WRITTEN PERMISSION.
 COPYRIGHT © 1974, DIGITAL EQUIPMENT CORPORATION

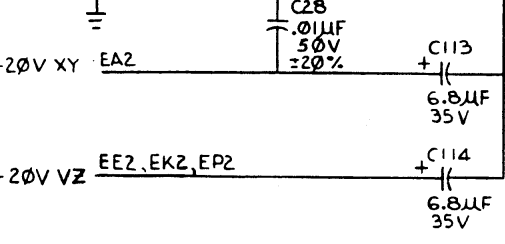
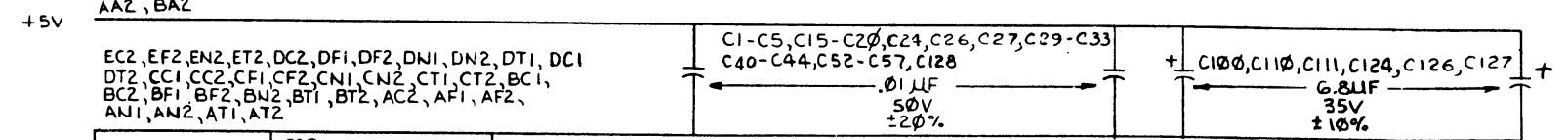
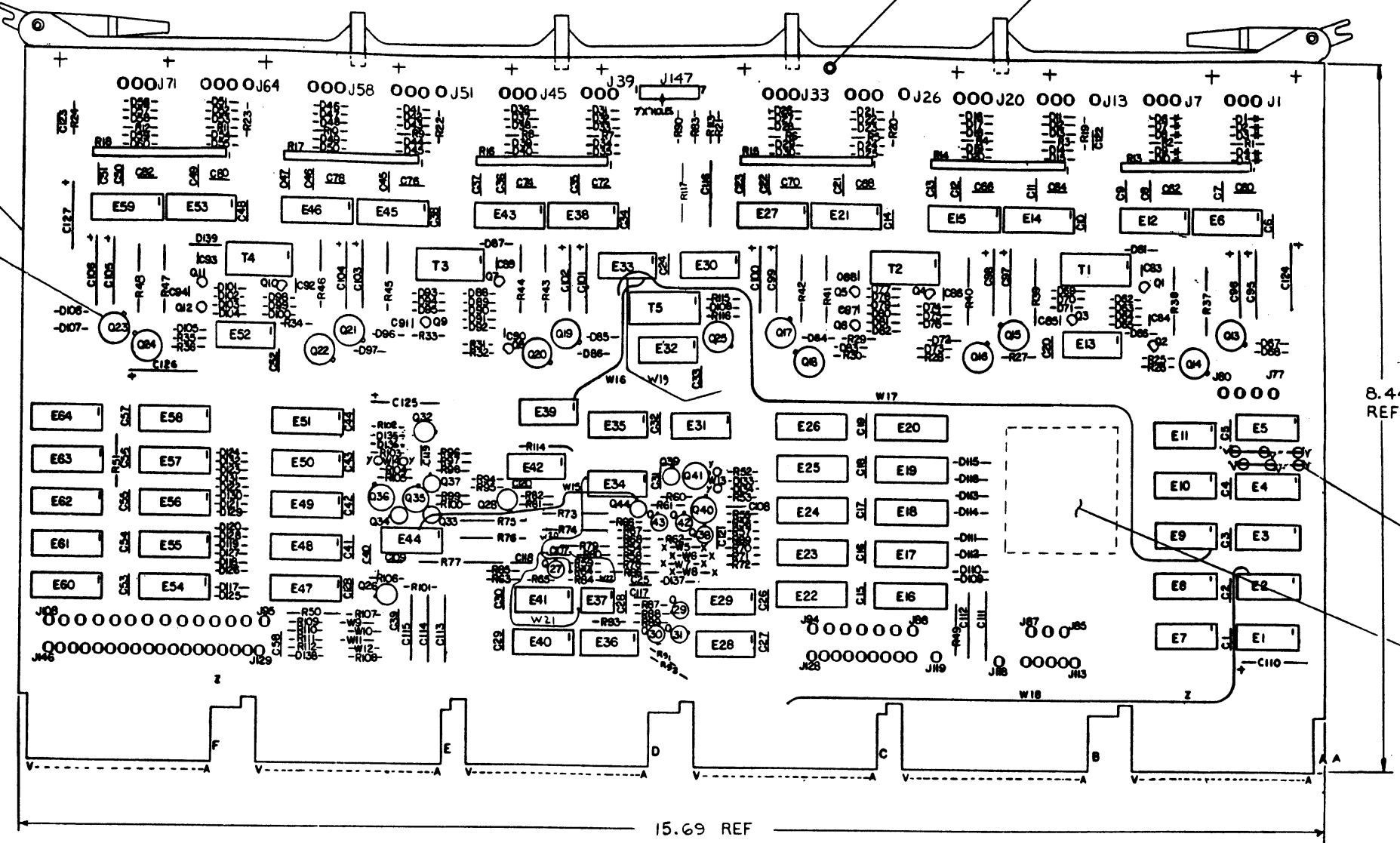
NOTES:

- UNLESS OTHERWISE SPECIFIED:
 - RESISTORS ARE 1/4W, ±5%
 - CAPACITORS ARE 50V
 - DIODES ARE D672
- ALL RECEPTACLES ARE INDICATED WITH J NO'S.
- C59, C61, C63, C65, C67, C69, C71, C73, C75, C77, C79 & C81 ARE NOT USED.
- MEMORY TEST IS ALLOWED TO MAKE THE FOLLOWING COMPONENT SUBSTITUTION
 R108-3.48K 1% 1/4W PART #13-05114-00
 R69-357K 1/8W 1% PART #13-05421-00
- STAMP MEM. SELECTION SCHEME IN MEMORY TEST.
 DEFINITION OF MEMORY SELECTION JUMPERS WITH MEMORY IS DECODED FOR MEMORY BANK IN LOCATION

LOCATION	MEMORY IS DECODED ADDRESSES	MEMORY BANK SELECTED
1 E1	0 TO 8K	1ST 8K
2 E2	8K TO 16K	2ND 8K
3 E3	16K TO 24K	3RD 8K
4 E4	24K TO 32K	4TH 8K
- MEM. SELECT TO BE STAMPED ON THE MEMORY TEST AREA



SPARES



75325	8	9	16
7520	8	9	16
8640	1	8	
7442	8	16	
741	4	7	
384	1	8	
IC TYPE	-5V	GND	+5V
GND AND 5V ARE USUALLY PIN 7 AND 14 RESPECTIVELY EXCEPTIONS ARE STATED ABOVE			
IC PIN LOCATIONS			

REV.	DATE	BY	CHKD.
1	10/24/74	Stove	
2	11/5/74	Stove	
3	12/12/74	Stove	
4	1/16/75	Stove	
5	10/26/74	Stove	
6	10/26/74	Stove	
7	10/26/74	Stove	
8	10/26/74	Stove	
9	10/26/74	Stove	
10	10/26/74	Stove	
11	10/26/74	Stove	
12	10/26/74	Stove	
13	10/26/74	Stove	
14	10/26/74	Stove	
15	10/26/74	Stove	
16	10/26/74	Stove	
17	10/26/74	Stove	
18	10/26/74	Stove	
19	10/26/74	Stove	
20	10/26/74	Stove	
21	10/26/74	Stove	
22	10/26/74	Stove	
23	10/26/74	Stove	
24	10/26/74	Stove	
25	10/26/74	Stove	
26	10/26/74	Stove	
27	10/26/74	Stove	
28	10/26/74	Stove	
29	10/26/74	Stove	
30	10/26/74	Stove	
31	10/26/74	Stove	
32	10/26/74	Stove	
33	10/26/74	Stove	
34	10/26/74	Stove	
35	10/26/74	Stove	
36	10/26/74	Stove	
37	10/26/74	Stove	
38	10/26/74	Stove	
39	10/26/74	Stove	
40	10/26/74	Stove	
41	10/26/74	Stove	
42	10/26/74	Stove	
43	10/26/74	Stove	
44	10/26/74	Stove	
45	10/26/74	Stove	
46	10/26/74	Stove	
47	10/26/74	Stove	
48	10/26/74	Stove	
49	10/26/74	Stove	
50	10/26/74	Stove	
51	10/26/74	Stove	
52	10/26/74	Stove	
53	10/26/74	Stove	
54	10/26/74	Stove	
55	10/26/74	Stove	
56	10/26/74	Stove	
57	10/26/74	Stove	
58	10/26/74	Stove	
59	10/26/74	Stove	
60	10/26/74	Stove	
61	10/26/74	Stove	
62	10/26/74	Stove	
63	10/26/74	Stove	
64	10/26/74	Stove	
65	10/26/74	Stove	
66	10/26/74	Stove	
67	10/26/74	Stove	
68	10/26/74	Stove	
69	10/26/74	Stove	
70	10/26/74	Stove	
71	10/26/74	Stove	
72	10/26/74	Stove	
73	10/26/74	Stove	
74	10/26/74	Stove	
75	10/26/74	Stove	
76	10/26/74	Stove	
77	10/26/74	Stove	
78	10/26/74	Stove	
79	10/26/74	Stove	
80	10/26/74	Stove	
81	10/26/74	Stove	
82	10/26/74	Stove	
83	10/26/74	Stove	
84	10/26/74	Stove	
85	10/26/74	Stove	
86	10/26/74	Stove	
87	10/26/74	Stove	
88	10/26/74	Stove	
89	10/26/74	Stove	
90	10/26/74	Stove	
91	10/26/74	Stove	
92	10/26/74	Stove	
93	10/26/74	Stove	
94	10/26/74	Stove	
95	10/26/74	Stove	
96	10/26/74	Stove	
97	10/26/74	Stove	
98	10/26/74	Stove	
99	10/26/74	Stove	
100	10/26/74	Stove	

QTY	REF. DESIGNATION	DESCRIPTION	PART NO.	ITEM NO.
PARTS LIST				
FIRST USED ON OPTION MODEL PDP8-A				
ETCH BOARD REV. E				
TITLE 8K, 12 BIT (B1) BASE BOARD				
DRAWN: Stove DATE: 10/24/74				
CHKD: Stove DATE: 11/5/74				
ENG: Stove DATE: 12/12/74				
PROJ. ENG: Stove DATE: 12/12/74				
FRONT: Stove DATE: 12/12/74				
NEXT HIGHER ASSY:				
SCALE: 1 OF 12				
SEMICONDUCTOR CONVERSION CHART				
DEC. NO.	EIA. NO.	DEC. NO.	EIA. NO.	REV. F
D E S I G N				
G 6 6 4 9 - 0 - 1				

THIS DRAWING AND SPECIFICATIONS, HEREIN, ARE THE PROPERTY OF DIGITAL EQUIPMENT CORPORATION AND SHALL NOT BE REPRODUCED OR COPIED OR USED IN WHOLE OR IN PART AS THE BASIS FOR THE MANUFACTURE OR SALE OF ITEMS WITHOUT WRITTEN PERMISSION. COPYRIGHT © 1974, DIGITAL EQUIPMENT CORPORATION.

PARTS LIST				
QTY	REF DESIGNATIONS	DESCRIPTION	PART NO	ITEM NO
REF		X-Y COORDINATE HOLE LOCATION	K-CO-G649-0-4	1
REF		ASSY/DRILLING HOLE LAYOUT	D-AH-G649-0-5	2
REF		MODULE ECO HISTORY	B-MH-G649-0-6	3
1		ETCHED CIRCUIT BOARD	3011016	4
1	C119	CAP 47 PF 100V 5% DM	1000011-00	5
12	C60, C62, C64, C66, C68, C70, C72, C74, C76, C78, C80, C82	CAP 100 PF 100V 5% DM	1000016-00	6
1	C108	CAP 56 PF 100V 5% DM	1000012-00	7
1	C109	CAP 22 PF 100V 5% DM	1005820-00	8
23	C95-C106, C110-C116, C124-C127	CAP 6.8µF 35V 10% STANT	1005306-00	9
1	R94	RES 2G1 1/4W 1%	1302873-00	10
12	C83-C94	CAP 3300 PF 50V 10%	1011740-01	11
1	C117	CAP .022µF 50V 10%	1011683-00	12
1	R114	RES 1K 1/2W 1%	1300381-00	13
1	D138	DIODE 1N750A 4.7V ZENER	1100124-00	14
137	D1-D136, D139	DIODE D672	1105275-00	15
1	D137	DIODE 1N759A 12V ZENER	1110836-00	16
1		HANDLE, REWORK	7413182-0-0	17
102	(SEE NOTE 2)	RECEPTACLE	1211728-00	18
12	R1-R12	RES 33 1/4W 5%	1300197-00	19
1	R91	RES 100 1/4W 5%	1300229-00	20
1	R77	RES 220 3W 1%	1312123-00	21
3	R49-R51	RES 300 1/2W 5%	1300291-00	22
1	R86	RES 330 1/2W 5%	1300296-00	23
1	R80	RES 1K 1/4W 1%	1303114-00	24
2	R62, R98	RES 3.3K 1/4W 5%	1300439-00	25
4	R52, R53, R102, R103	RES 10K 1/4W 5%	1300479-00	26
1	R97	RES 750 1/4W 1%	1302955-00	27
4	R67, R88, R95, R116	RES 1.2K 1/4W 5%	1301320-00	28
1	R69	RES 31.6K 1/4W 1%	1309416-00	29
1	R63	RES 220 1/4W 5%	1300271-00	30
4	R64, R82, R84, R93	RES 2K 1/4W 1%	1302715-00	31
6	R60, R61, R68, R96, R104, R105	RES 75 1/4W 1%	1303064-00	32
2	R59, R65	RES 1.21K 1/4W 1%	1302871-00	33
1	R117	RES 82K 1/4W 5%	1303219-00	34
1	R58	RES 825 1/4W 1%	1305143-00	35
2	R106, R107	RES 14.7K 1/4W 1%	1302941-00	36
1	R87	RES 5.11K 1/4W 1%	1304854-00	37
12	R25-R36	RES 4.7K 1/4W 5%	1300447-00	38
1	R109	RES 19.6K 1/4W 1%	1309419-00	39
1	R71	RES 137K 1/4W 1%	1305422-00	40
5	R55, R56, R66, R81, R89	RES 562 1/4W 1%	1304693-00	41
4	R54, R57, R99, R100	RES 383 1/4W 1%	1305125-00	42
2	R70, R111	RES 68.1K 1/4W 1%	1305252-00	43
1	R112	RES 121K 1/4W 1%	1305255-00	44
1	R110	RES 34.8K 1/4W 1%	1303156-00	45
2	R63, R85	RES 4.99K 1/4W 1%	1305324-00	46
1	R92	RES 1K 1% THERMISTOR	1310071-00	47
12	R37-R48	RES 22 2W FUSIBLE	1312502-01	48
6	R13-R18	RES PACK 10/100 CKTS	1311741-00	49

* SEE NOTE 4

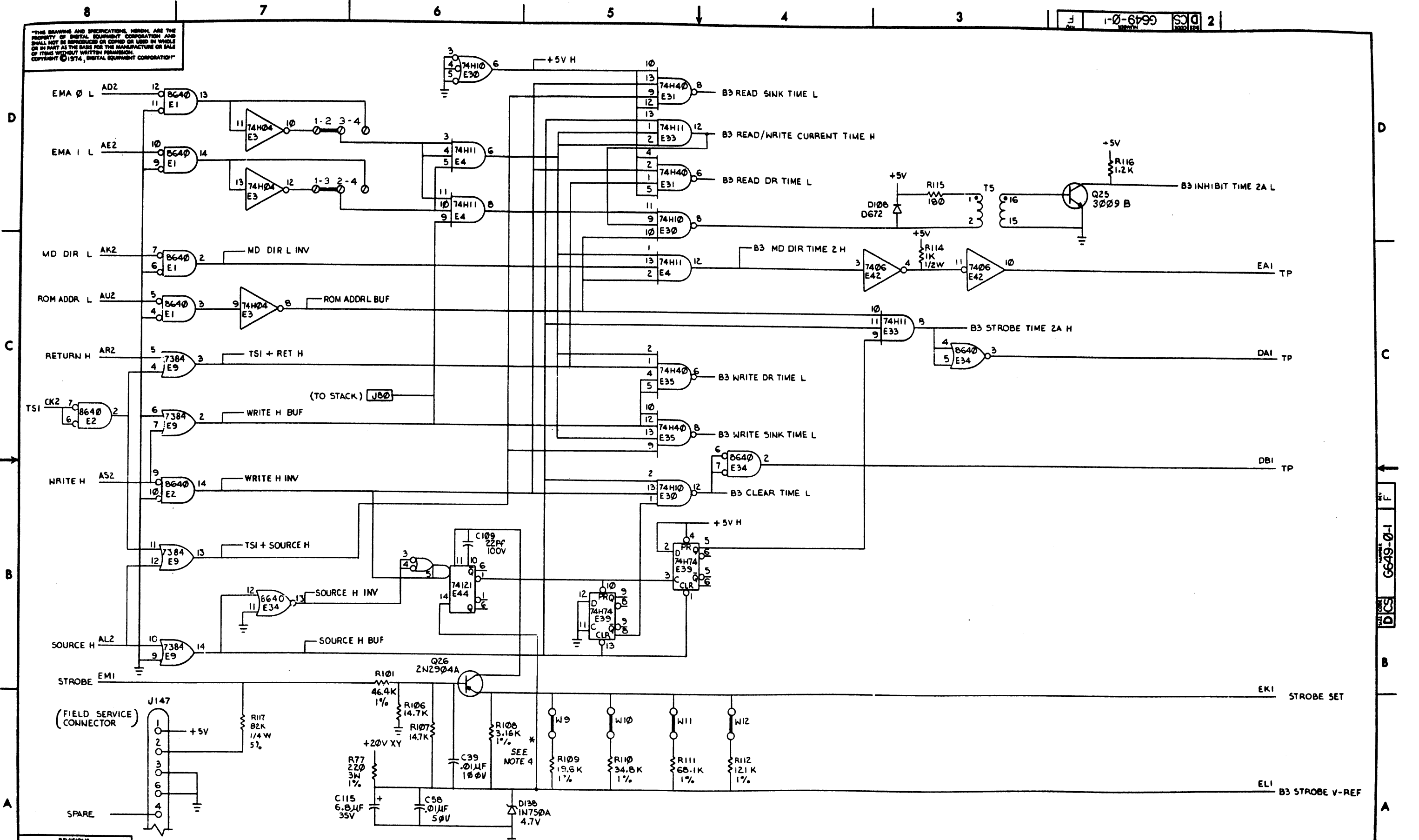
PARTS LIST				
QTY	REF DESIGNATIONS	DESCRIPTION	PART NO	ITEM NO
4	R73-R76	RES 30 3W 1%	1311737-00	50
1	R79	RES 100 1/2W 5%	1300228-00	51
1	R115	RES 180 1/4W 5%	1301322-00	52
1	R113	RES 2.61K 1/4W 1%	1303303-00	53
1	Q26	TRANSISTOR 2N2904A	1501913-00	54
4	Q25, Q29-Q31	TRANSISTOR 3009B	1503100-00	55
4	Q33, Q34, Q38, Q39	TRANSISTOR 6534B	1503409-01	56
4	Q32, Q37, Q42, Q43	TRANSISTOR 4258	1505321-00	57
12	Q1-Q12	TRANSISTOR 6531B	1509338-00	58
2	W1, W2	BUS WIRE #22AWG	9107560-01	59
3	Q27, Q28, Q44	TRANSISTOR MXAA55	1510706-00	60
16	Q13-Q24, Q35, Q36, Q40, Q41	TRANSISTOR 2N3725	1510959-00	61
1	T5	TRANSFORMER 1:1	1609996-00	62
4	T1-T4	TRANSFORMER 2:1	1611756-00	63
2	E31, E35	IC 74H40	1905586-00	64
1	E30	IC 74H10	1909057-00	65
2	E4, E33	IC 74H11	1909267-00	66
1	E9	IC 7384	1910393-00	67
1	E39	IC 74H74	1909667-00	68
3	E7, E28, E40	IC 8881	1909705-00	69
1	E3	IC 74HO4	1909931-00	70
5	E20, E26, E51, E58, E64	IC 7442	1910046-00	71
1	E44	IC 74121	1910230-00	72
1	E37	IC 741	1910298-00	73
1	E42	IC 7406	1910741-00	74
20	E16-E19, E22-E25, E47-E50, E54-E57, E60-E63	IC 75325	1910960-00	75
10	E1, E2, E5, E8, E10, E11, E29, E34, E36, E41	IC 8640	1911469-00	76
12	E6, E12, E14, E15, E21, E27, E38, E43, E45, E46, E53, E59	IC 7520	1911748-00	77
3	E13, E32, E52	IC 74128	1912068-00	78
6		EYELET (TERMINAL POSTS)	9006735-00	79
8	W5-W12	MACHINE INSERTED JUMPERS	9009185	80
2	W13, W14	INSULATED WIRE #22AWG	1700035-00	81
1	J147	CONNECTOR 7 PIN	1212104-00	82
12		EYELET	9006732-00	83
6	R19-R24	RES 10K 1/4W 1%	1303312-00	84
51	C1-C6, C9, C10, C13-C20, C23-C34, C37-C44, C47, C48, C51-C58, C107, C118, C122, C123, C128	CAP .01µF 50V	1001610-00	85
14	C7, C8, C11, C12, C21, C22, C35, C36, C45, C46, C49, C50, C120, C121	CAP .22µF 50V	1010274-00	86
3	R72, R83, R90	RES 274K 1/4W 1%	1305131-00	87
1	R108	RES 3.16K 1/4W 1%	1303045-00	88
A/R	W15-W22	WIRE #30AWG SOLID GREEN	9105740-55	89
1	R101	RES 46.4K 1/4W 1%	1303311-00	90
1	R78	RES 5.62K 1/4W 1%	1305128-00	91
18		TRANSIPAD	9007201-00	92
A/R		INSULATION	9107256-10	93

* SEE NOTE 4

REVISIONS		
CHK	CHANGE NO	REV

REV. F G649-0-1

THIS DRAWING AND SPECIFICATIONS HEREIN ARE THE PROPERTY OF DIGITAL EQUIPMENT CORPORATION AND SHALL NOT BE REPRODUCED OR COPIED OR USED IN WHOLE OR IN PART AS THE BASIS FOR THE MANUFACTURE OR SALE OF ITEMS WITHOUT WRITTEN PERMISSION. COPYRIGHT © 1974, DIGITAL EQUIPMENT CORPORATION.

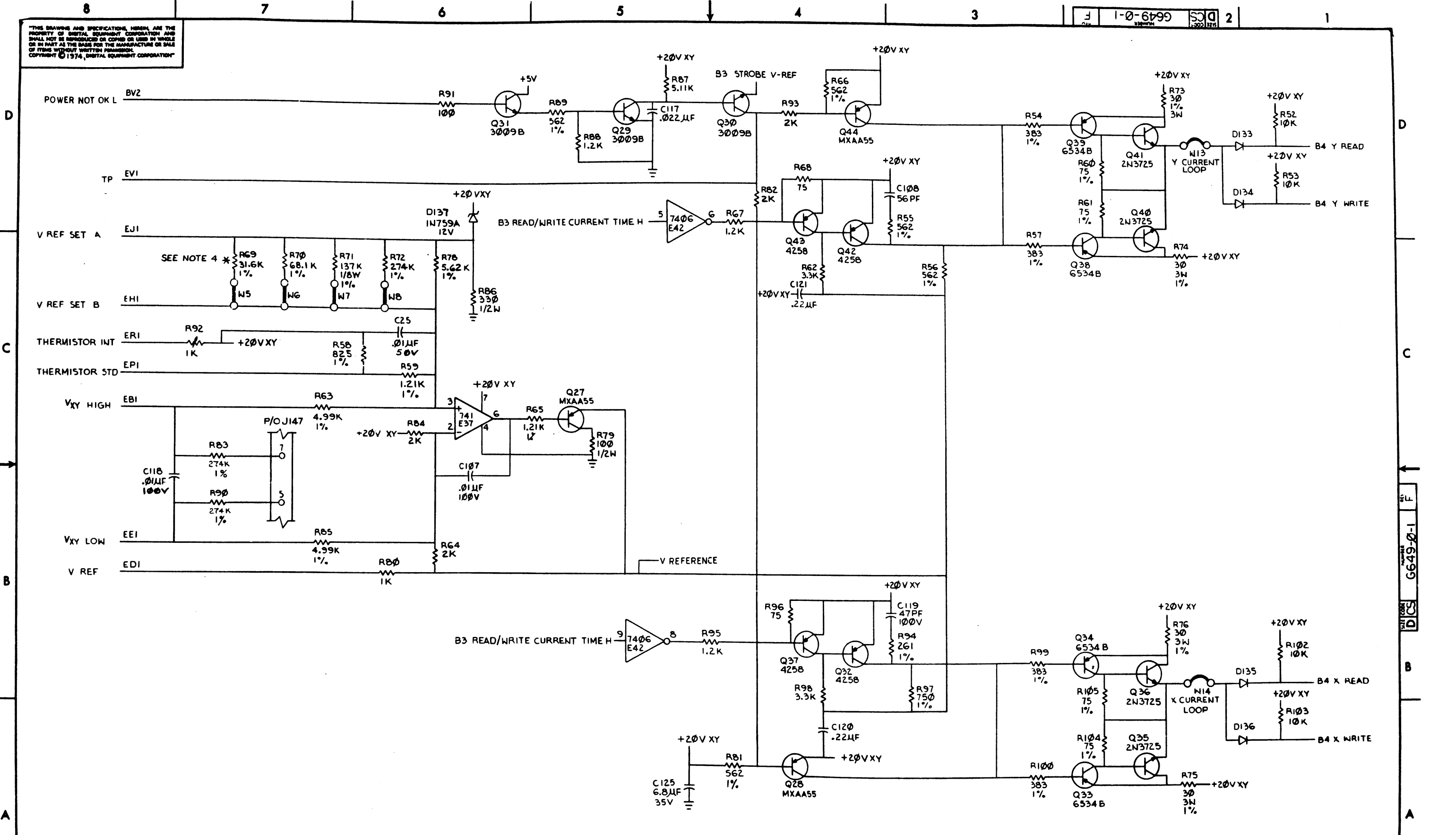


REVISIONS		
CHK	CHANGE NO.	REV.

(MM8-AA TIMING)

TITLE	8K 12 BIT BASE BOARD	(B3)	D E S	NUMBER	G649-0-1	REV.	F
SCALE	1/1	SHEET	3 OF 12	DIST.			

THIS DRAWING AND SPECIFICATIONS HEREIN ARE THE PROPERTY OF DIGITAL EQUIPMENT CORPORATION AND SHALL NOT BE REPRODUCED OR COPIED OR USED IN WHOLE OR IN PART AS THE BASIS FOR THE MANUFACTURE OR SALE OF ITEMS WITHOUT WRITTEN PERMISSION. COPYRIGHT © 1974, DIGITAL EQUIPMENT CORPORATION



REVISIONS		
CHK	CHANGE NO.	REV.

(CURRENT & CONTROL)

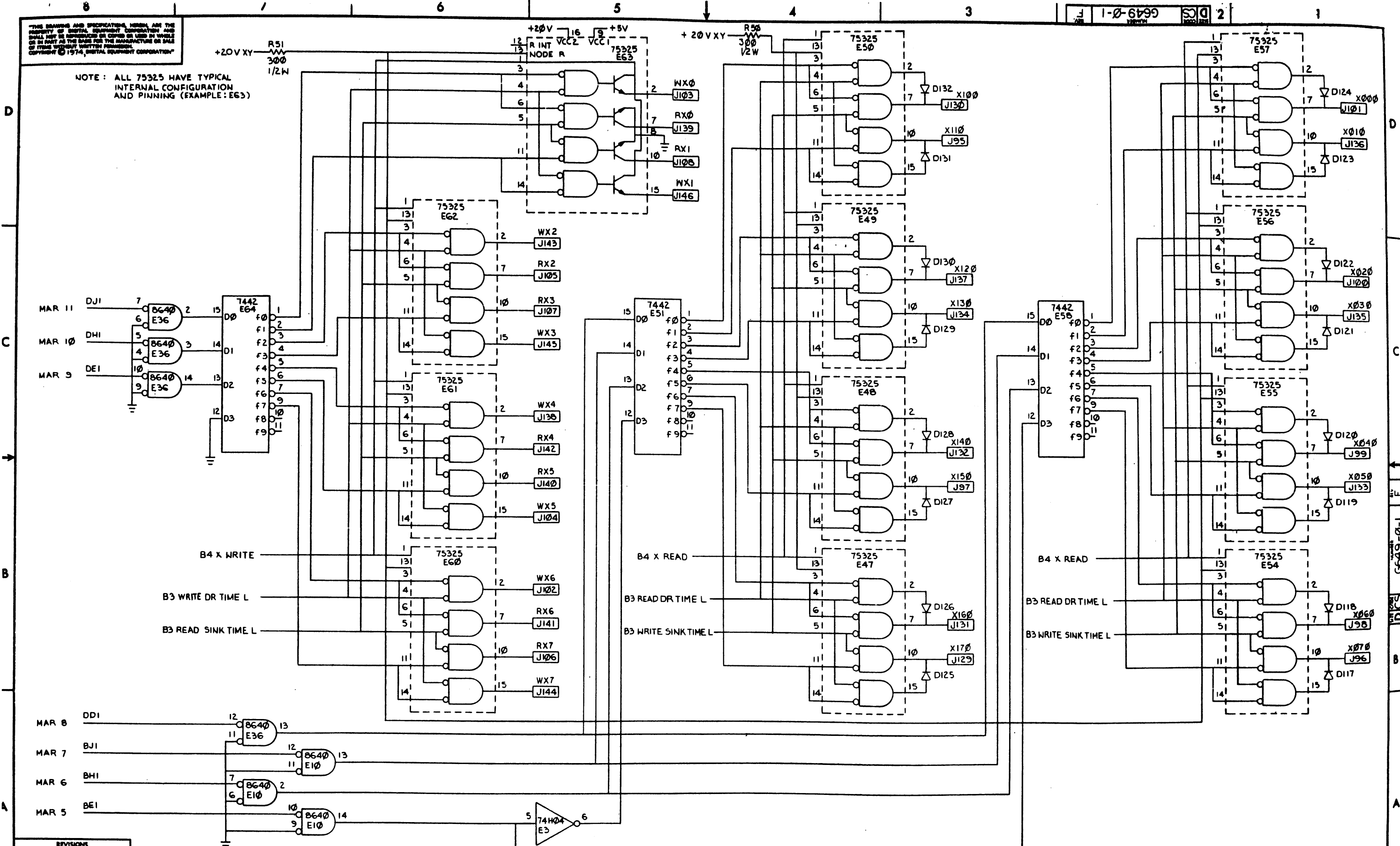
TITLE 8K 12 BIT BASE BOARD (B4)

SCALE 4 OF 12

REV. F

THIS DRAWING AND SPECIFICATIONS HEREIN ARE THE PROPERTY OF DIGITAL EQUIPMENT CORPORATION AND SHALL NOT BE REPRODUCED OR COPIED OR USED IN WHOLE OR IN PART AS THE BASIS FOR THE MANUFACTURE OR SALE OF ITEMS WITHOUT WRITTEN PERMISSION. COPYRIGHT © 1974, DIGITAL EQUIPMENT CORPORATION.

NOTE: ALL 75325 HAVE TYPICAL INTERNAL CONFIGURATION AND PINNING (EXAMPLE: E63)



REVISIONS		
CHK	CHANGE NO.	REV.

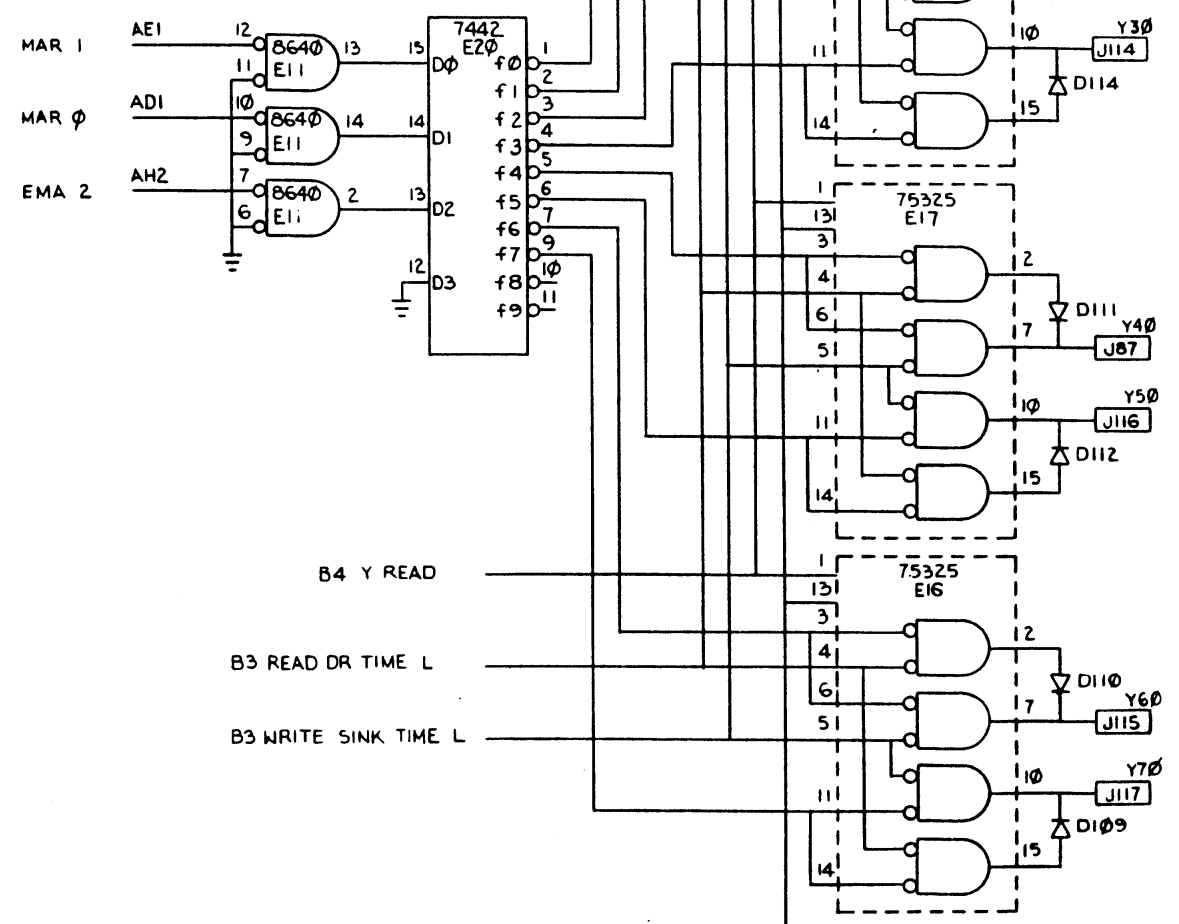
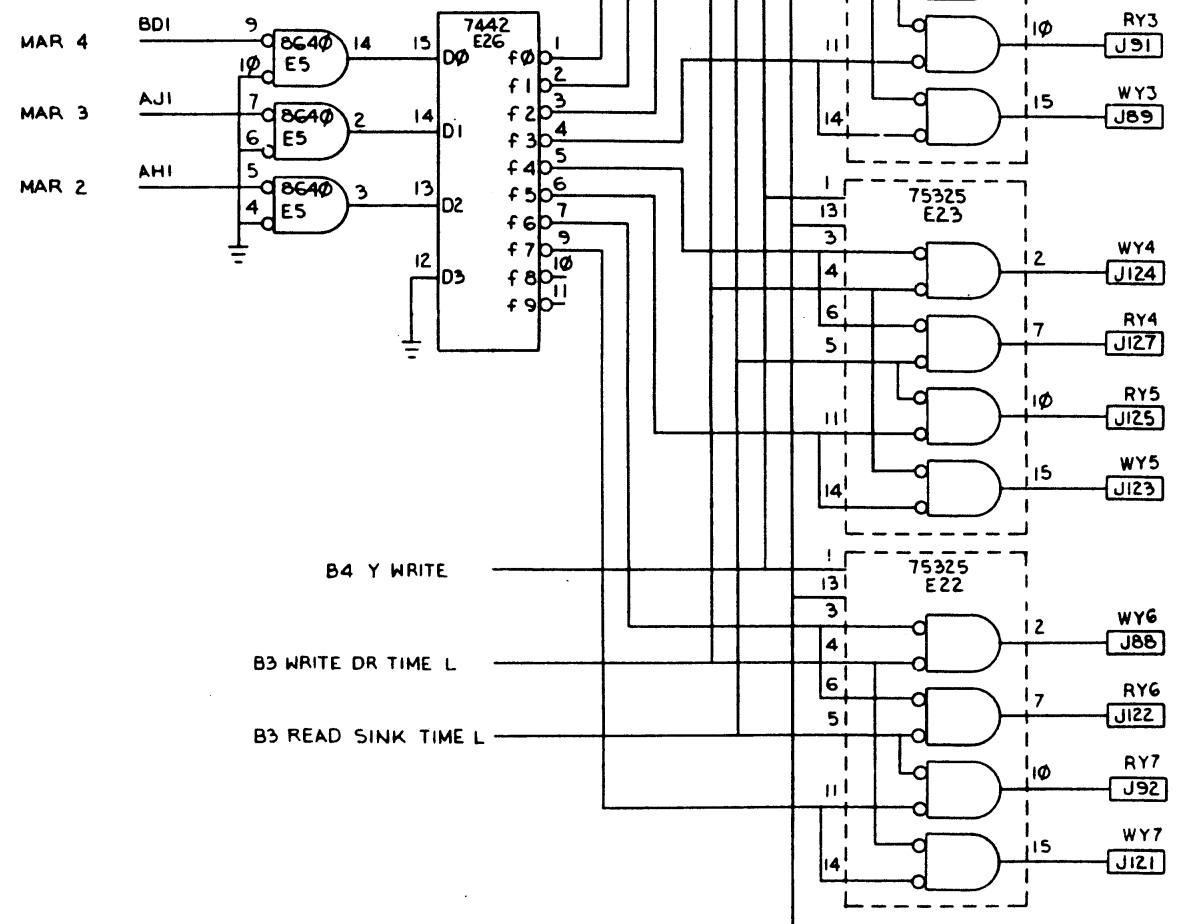
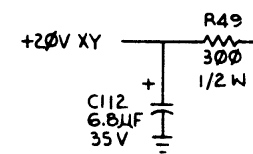
(X DRIVE)

TITLE 8K 12 BIT BASE BOARD (B5) DCS NUMBER G649-0-1 F

SCALE 1/8" = 1" SHEET 5 OF 12 DIST.

D E S G 649-0-1

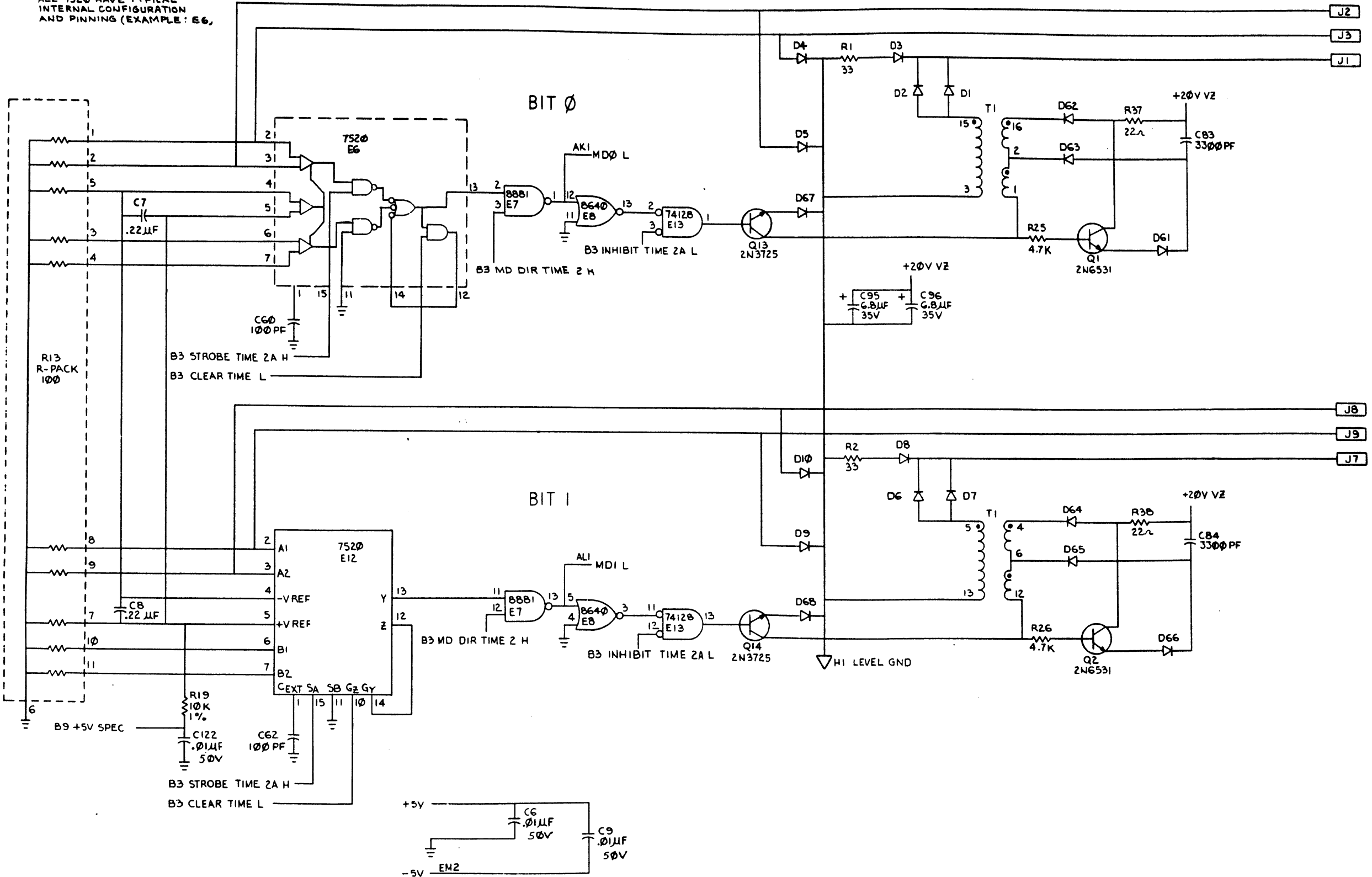
THESE DRAWINGS AND SPECIFICATIONS HERIN ARE THE PROPERTY OF METAL EQUIPMENT CORPORATION AND SHALL NOT BE REPRODUCED OR COPIED OR USED IN WHOLE OR IN PART AS THE BASIS FOR THE MANUFACTURE OR SALE OF OTHER EQUIPMENT WITHOUT PERMISSION OF METAL EQUIPMENT CORPORATION. REVISED 1974.



REVISIONS		
CHK	CHANGE NO.	REV.

"THIS DRAWING AND SPECIFICATIONS HEREAFTER ARE THE PROPERTY OF DIGITAL EQUIPMENT CORPORATION AND SHALL NOT BE REPRODUCED OR COPIED OR USED IN WHOLE OR IN PART AS THE BASIS FOR THE MANUFACTURE OR SALE OF ITEMS WITHOUT WRITTEN PERMISSION. COPYRIGHT © 1974, DIGITAL EQUIPMENT CORPORATION"

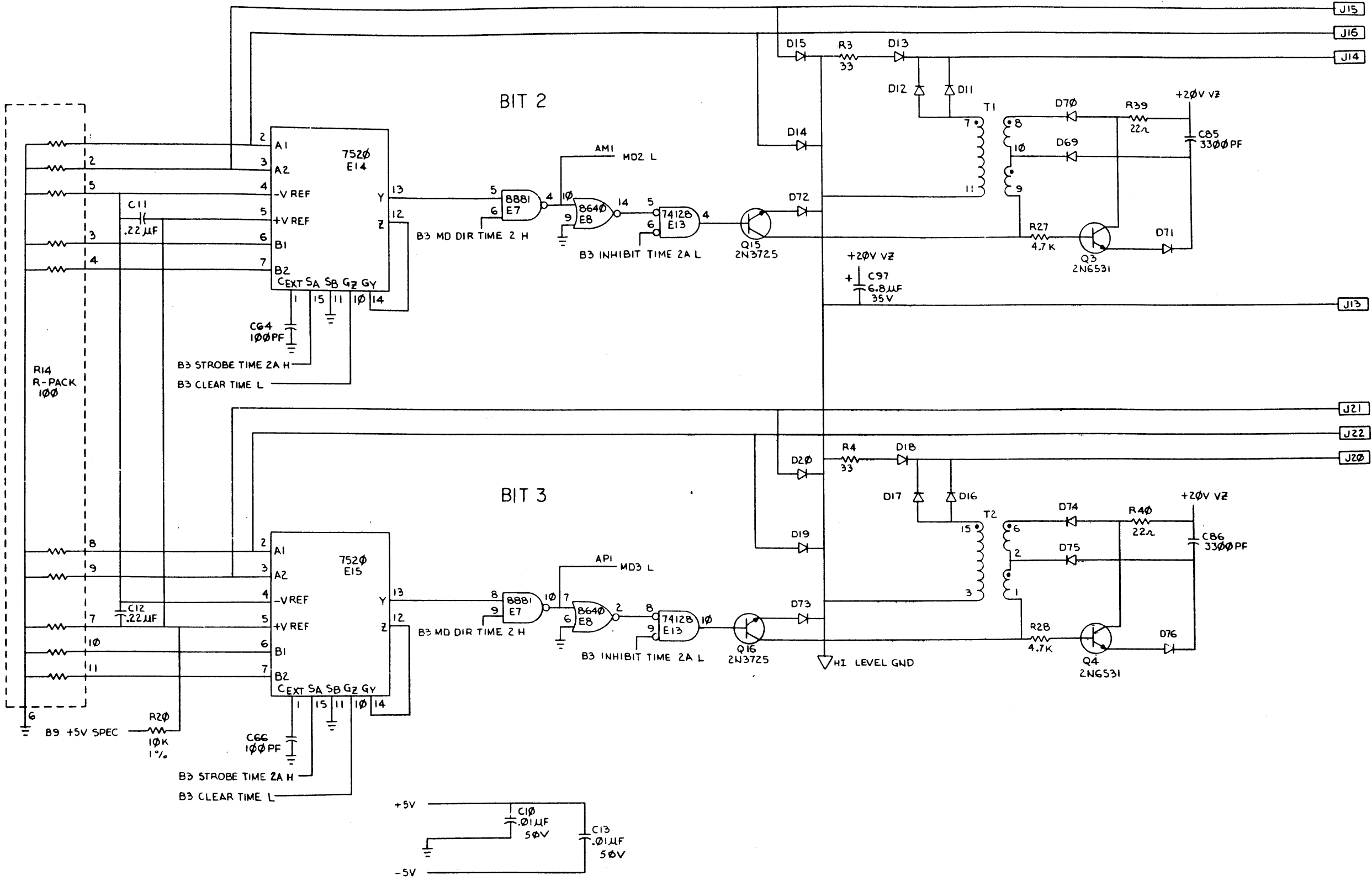
NOTE:
ALL 7520 HAVE TYPICAL INTERNAL CONFIGURATION AND PINNING (EXAMPLE: E6,



REVISIONS		
CHK	CHANGE NO.	REV.

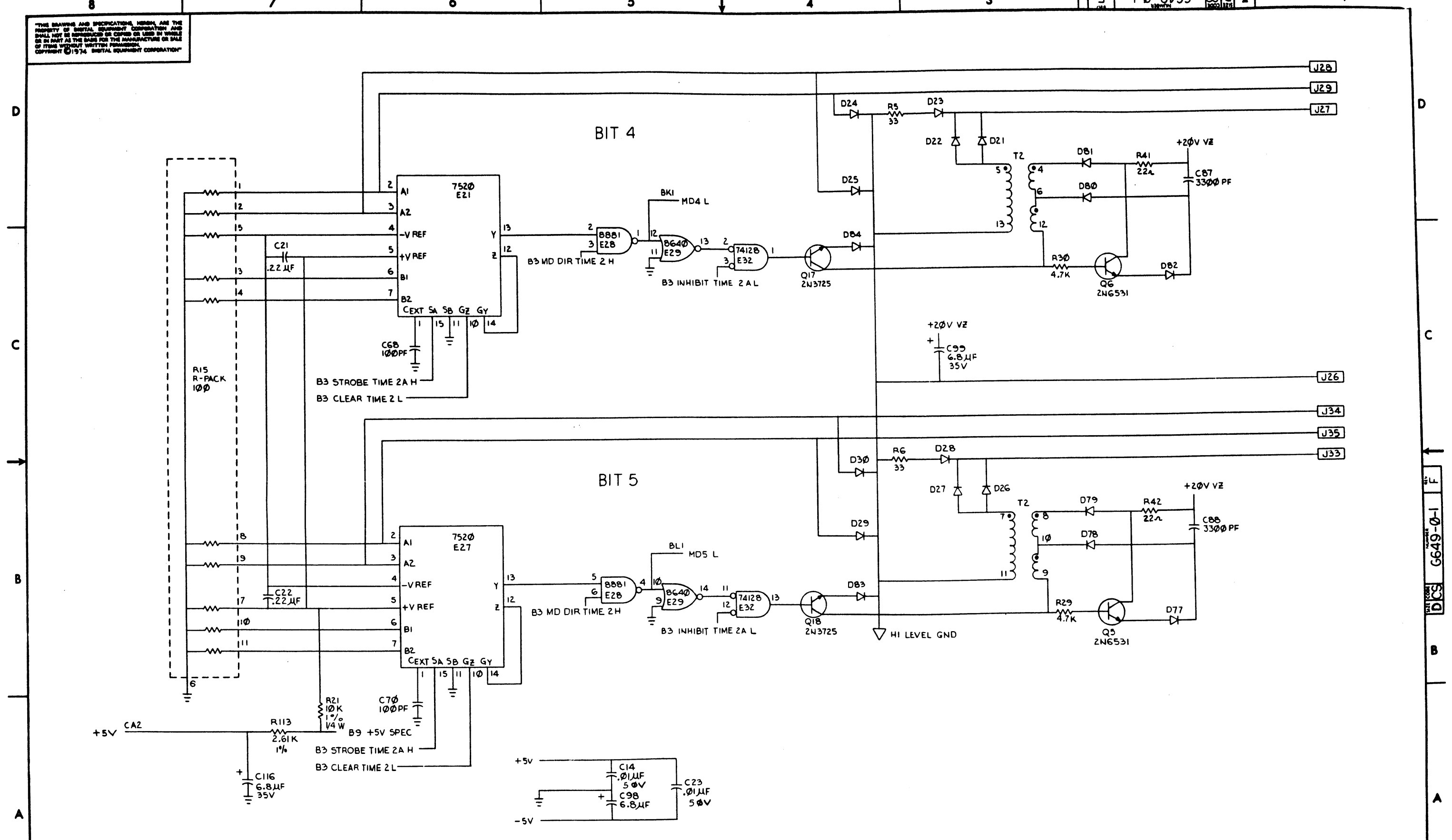
TITLE 8K 12 BIT BASE BOARD (B7)		SIZE DCS	NUMBER G649-0-1	REV. F
SCALE 7/7	SHEET 7 OF 12	DIST.		

THIS DRAWING AND SPECIFICATIONS HEREIN ARE THE PROPERTY OF DIGITAL EQUIPMENT CORPORATION AND SHALL NOT BE REPRODUCED OR COPIED OR USED IN WHOLE OR IN PART AS THE BASIS FOR THE MANUFACTURE OR SALE OF ITEMS WITHOUT WRITTEN PERMISSION. COPYRIGHT © 1974, DIGITAL EQUIPMENT CORPORATION



REVISIONS		
CHK	CHANGE NO.	REV.

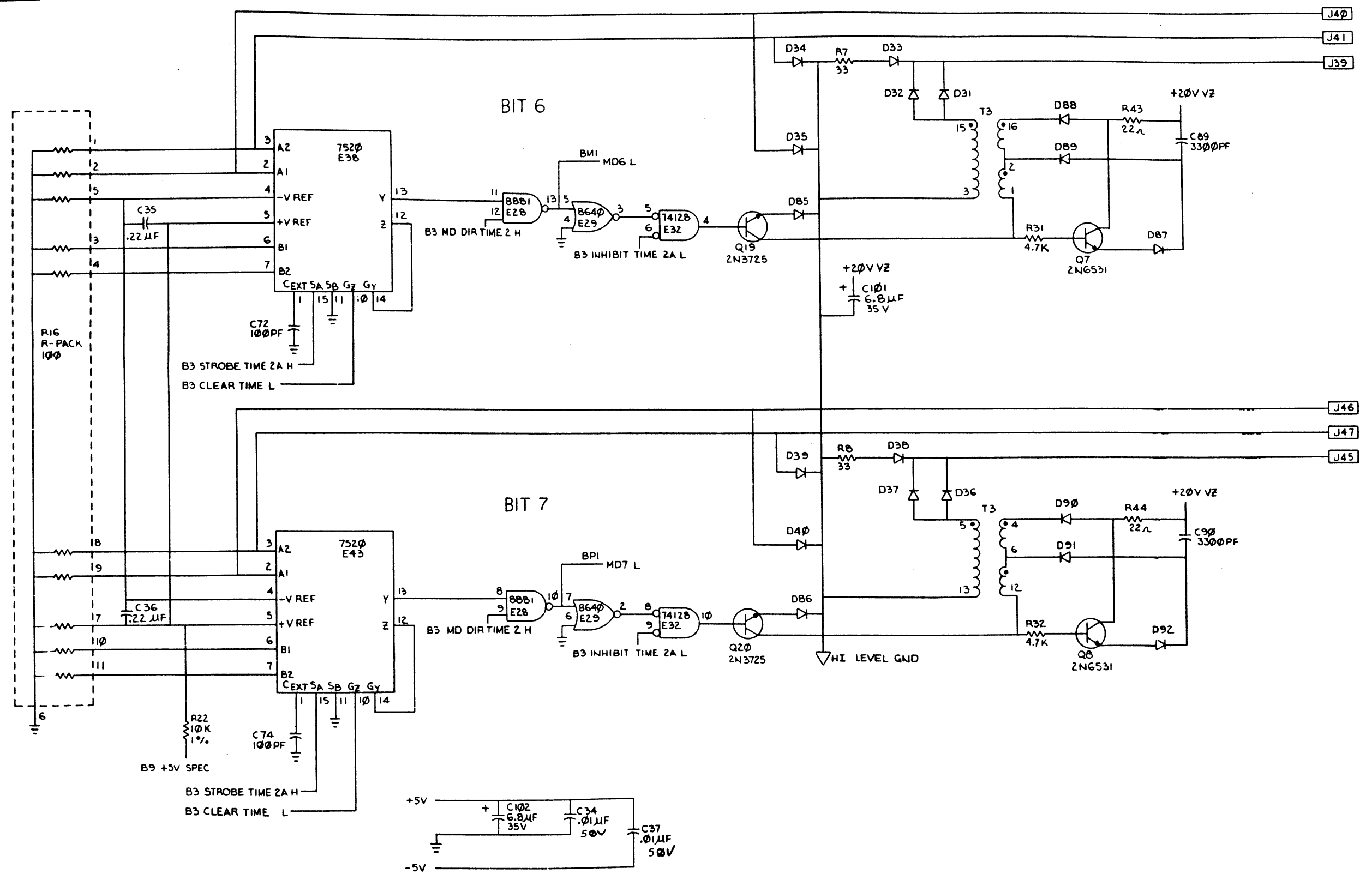
"THIS DRAWING AND SPECIFICATIONS HEREIN ARE THE PROPERTY OF DIGITAL EQUIPMENT CORPORATION AND SHALL NOT BE REPRODUCED OR COPIED OR USED IN WHOLE OR IN PART AS THE BASIS FOR THE MANUFACTURE OR SALE OF ITEMS WITHOUT WRITTEN PERMISSION. COPYRIGHT © 1974 DIGITAL EQUIPMENT CORPORATION"



REVISIONS		
CHK	CHANGE NO.	REV.

(SENSE/INHIBIT 2 B-TS)		TITLE 8K, 12 BIT BASE BOARD (B9)		SIZE CODE DCS	NUMBER G649-0-1	REV. F
SCALE	B-SHEET 9 of 12	DIST.				

"THIS DRAWING AND SPECIFICATIONS HEREBY ARE THE PROPERTY OF DIGITAL EQUIPMENT CORPORATION AND SHALL NOT BE REPRODUCED OR COPIED OR USED IN WHOLE OR IN PART AS THE BASIS FOR THE MANUFACTURE OR SALE OF ITEMS WITHOUT WRITTEN PERMISSION. COPYRIGHT © 1974, DIGITAL EQUIPMENT CORPORATION"



D
C
B
A

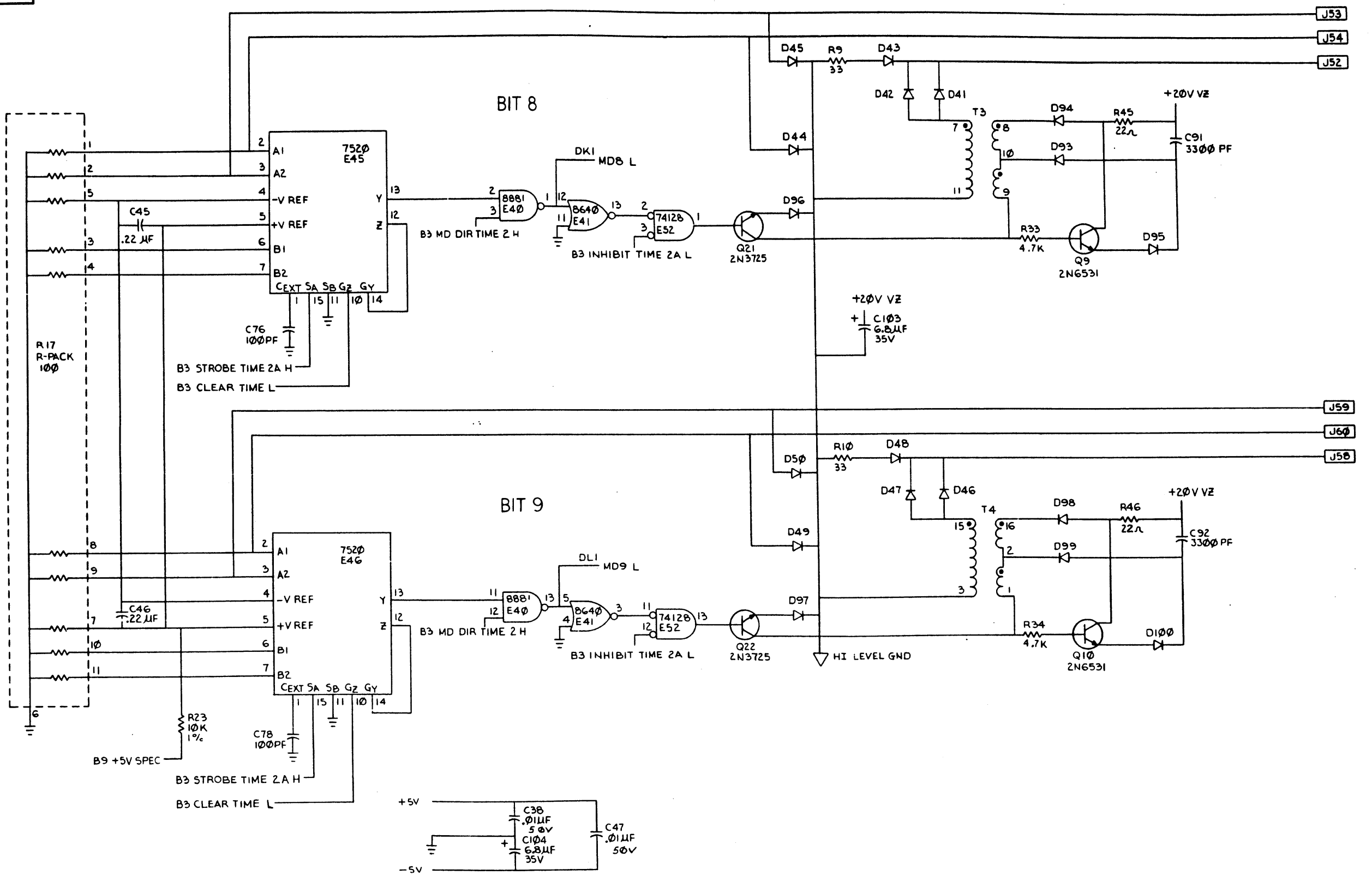
D
C
B
A

REVISIONS		
CHK	CHANGE NO.	REV.

(SENSE / INHIBIT 2 BITS)		TITLE	8K 12 BIT BASE BOARD (B10)	REV.	F
SCALE	10 OF 12	SHEET	D CS G649-0-1	NUMBER	

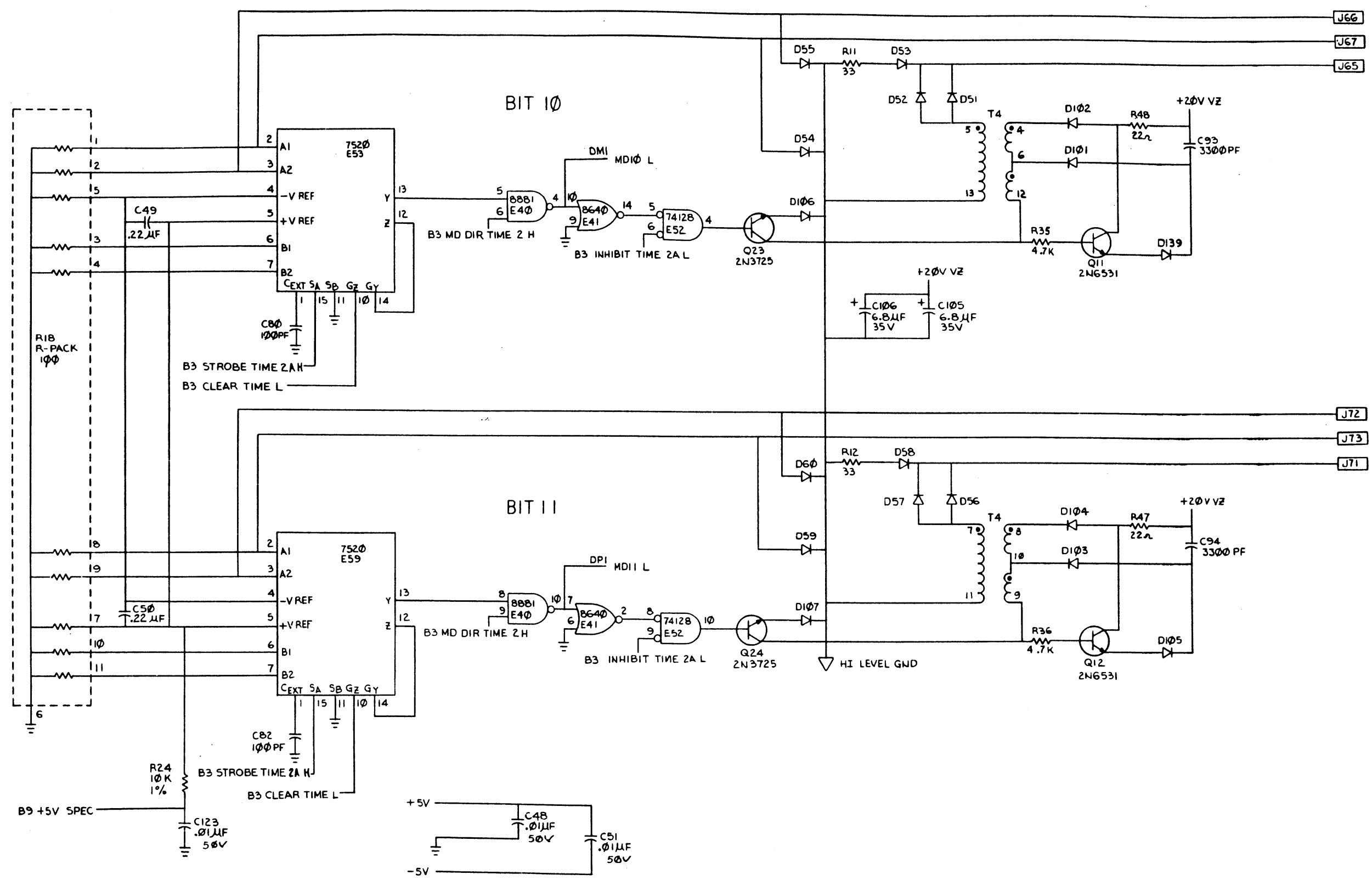
DCS 6649-0-1 F

THIS DRAWING AND SPECIFICATIONS HEREIN ARE THE PROPERTY OF DIGITAL EQUIPMENT CORPORATION AND SHALL NOT BE REPRODUCED OR COPIED OR USED IN WHOLE OR IN PART AS THE BASIS FOR THE MANUFACTURE OR SALE OF ITEMS WITHOUT WRITTEN PERMISSION. COPYRIGHT © 1974, DIGITAL EQUIPMENT CORPORATION.



REVISIONS		
CHK	CHANGE NO.	REV.

THIS DRAWING AND SPECIFICATIONS HEREIN ARE THE PROPERTY OF DIGITAL EQUIPMENT CORPORATION AND SHALL NOT BE REPRODUCED OR COPIED OR USED IN WHOLE OR IN PART AS THE BASIS FOR THE MANUFACTURE OR SALE OF ITEMS WITHOUT WRITTEN PERMISSION. COPYRIGHT © 1974 DIGITAL EQUIPMENT CORPORATION



REVISIONS		
CHK	CHANGE NO.	REV.

(SENSE/INHIBIT 2 BITS)		TITLE 8K 12 BIT BASE BOARD (B12)		SCALE	SHEET 12 OF 12	DIST.	REV. F
D CS		NUMBER G649-0-1		DATE CODE		REV.	