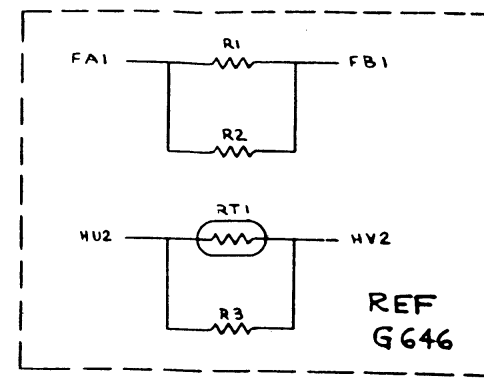


This drawing and specifications, herein, are the property of Digital Equipment Corporation and shall not be reproduced or copied or used in whole or in part as the basis for the manufacture of any of their without written permission.

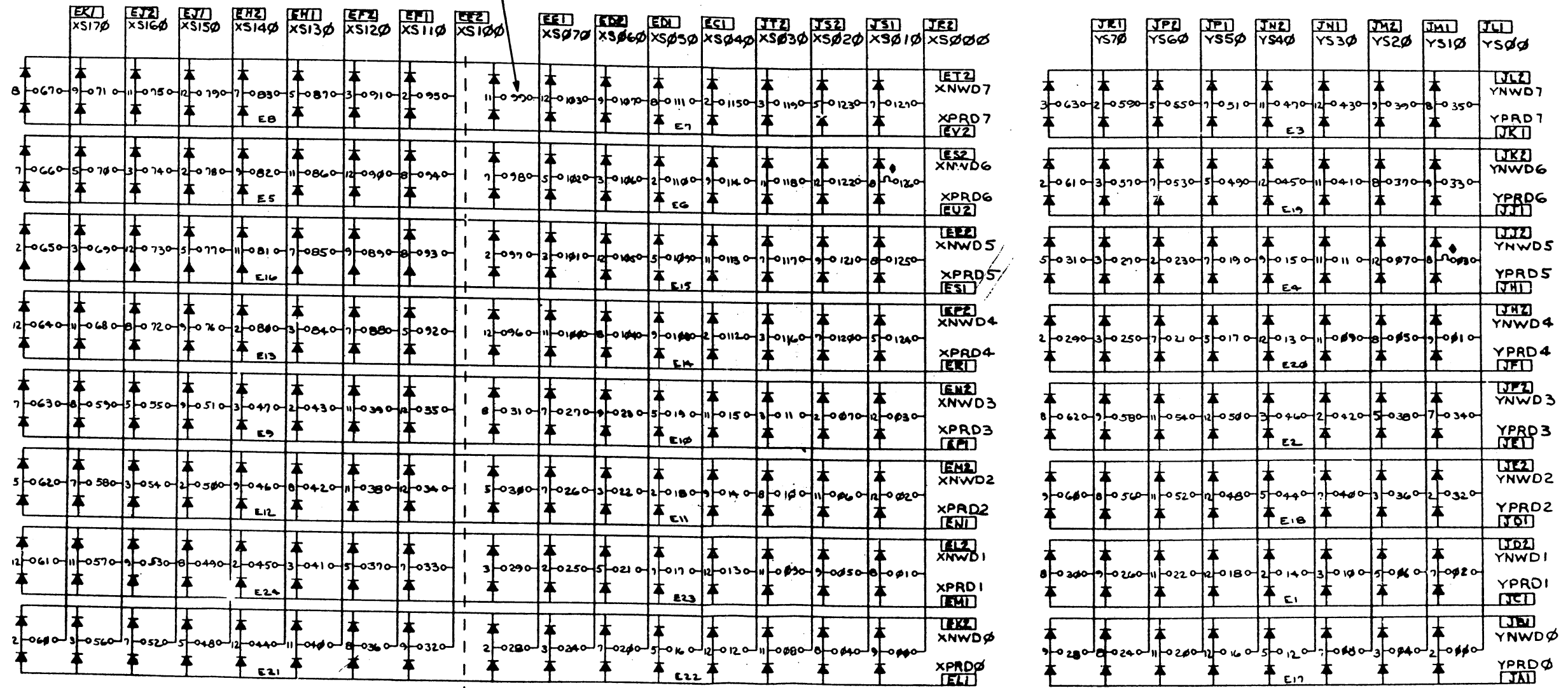


ETCH JUMPERS
 JV2 - HB1
 JU2 - HA1
 EB1 - EV2
 EA1 - EU2

- NOTES:
 1. UNLESS OTHERWISE SPECIFIED:
 IC'S E1-E24 ARE TO BE DEC STOCK # 2501.
 2. INDICATES STACK LINE NUMBER. (TVP)
 3. INDICATES CURRENT LOOP.
 4. INDICATES MAGNET WIRE TERMINATION (SOLDERED TO PC PAD).
 5. 2501-1 (DEC. PT. NO. 1910010-01)
 MAY BE USED INTERCHANGEABLY WITH ITEM #2

SEE NOTE 4

- ES2 - OINH
- ET2 - OINH
- ET1 - OSB
- ET1 - OSA
- FN2 - OINH
- FP2 - OINH
- FP1 - OSB
- FN1 - OSA
- FL2 - OINH
- FM2 - OINH
- FM1 - OSB
- FL1 - OSA
- FX2 - OINH
- EK2 - OINH
- EK1 - OSB
- FX1 - OSA
- FF2 - OINH
- FK2 - OINH
- FK1 - OSB
- FF1 - OSA
- FC2 - OINH
- ED2 - OINH
- ED1 - OSB
- FC1 - OSA
- HS2 - OINH
- HT2 - OINH
- HT1 - OSB
- HS1 - OSA
- HN2 - OINH
- HP2 - OINH
- HP1 - OSB
- HN1 - OSA
- HL2 - OINH
- HM2 - OINH
- HM1 - OSB
- HL1 - OSA
- HY2 - OINH
- HK2 - OINH
- HK1 - OSB
- HY1 - OSA
- HF2 - OINH
- HM2 - OINH
- HM1 - OSB
- HF1 - OSA
- HC2 - OINH
- HD2 - OINH
- HD1 - OSB
- HC1 - OSA

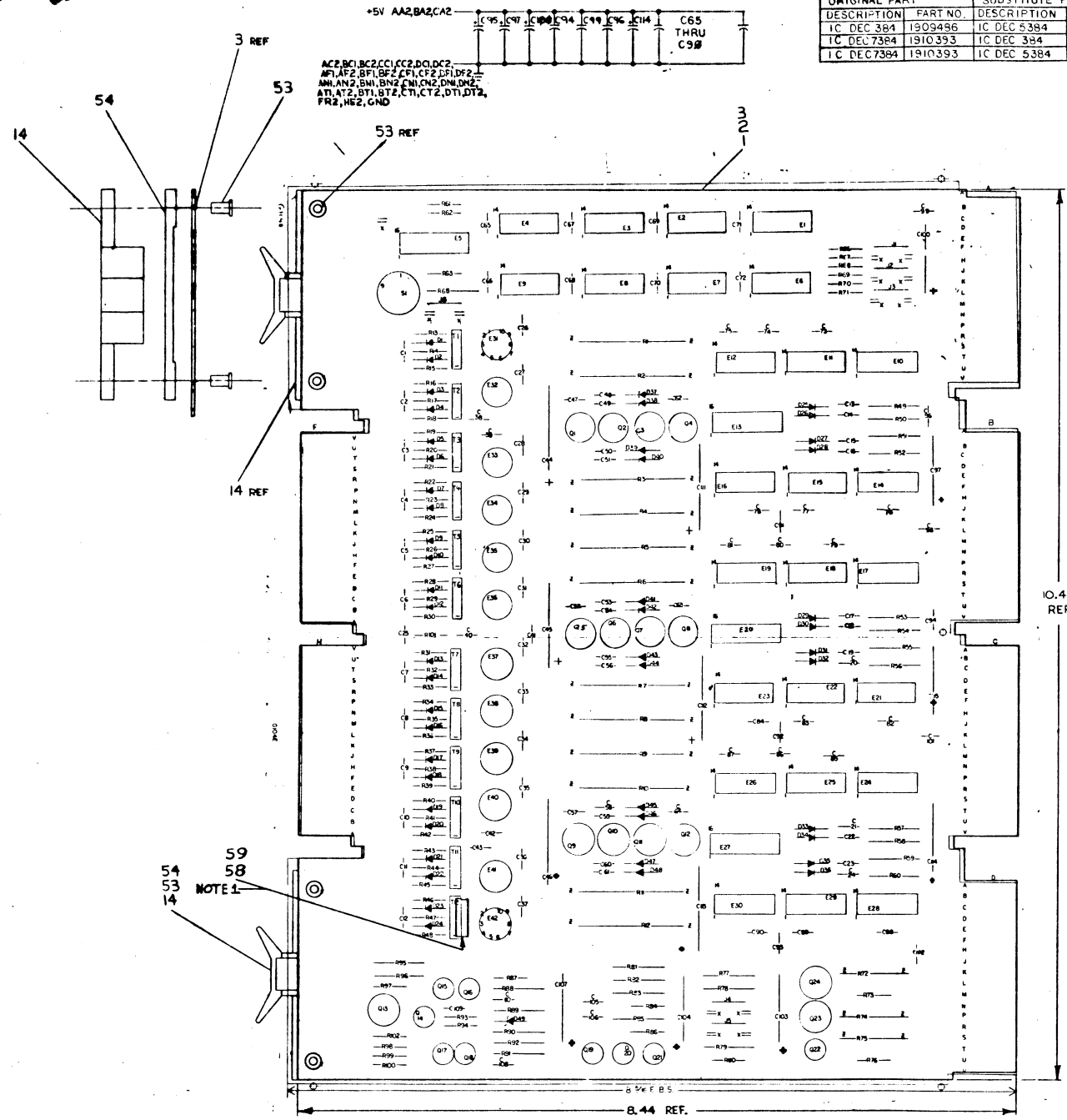


FIRST USED ON Q/TION MODEL	QTY.	DESCRIPTION	PART NO.	ITEM NO.
MM8-EJ				
UNLESS OTHERWISE SPECIFIED TOLERANCES		DATE 12/1/71	PARTS LIST	
DECIMALS	ANGLES	DATE 3-25-72	EQUIPMENT CORPORATION	
JUL - 000	16° 30'	DATE 10/2/72	TITLE	
JUL - 00		DATE 10/2/72	STACK SCHEMATIC	
JUL - 01		DATE 10/2/72	8K X 12BIT	
REMOVE BURRS AND BREAK SHARP CORNERS SURFACE QUALITY		DATE 10/2/72	REV. E	
MATERIAL		DATE 10/2/72	D CS H212-01	
			B-DD-MM8-EJ	
			D CS H212-01	
			SHEET 2 OF 2	

COMPONENT SUBSTITUTION LIST				
ORIGINAL PART	SUBSTITUTE PART		ITEM NO.	
DESCRIPTION	PART NO.	DESCRIPTION	PART NO.	
IC DEC 384	1909486	IC DEC 5384	1910394	50
IC DEC 7384	1910393	IC DEC 384	1909486	65
IC DEC 7384	1910393	IC DEC 5384	1910394	65



AC2,BC1,BC2,CC1,CC2,DC1,DC2,
AF1,AF2,BF1,BF2,CF1,CF2,DF1,DF2,
AH1,AH2,BH1,BH2,CH1,CH2,DH1,DH2,
AT1,AT2,BT1,BT2,CT1,CT2,DT1,DT2,
FR2,HE2,GND



- NOTES:
- CUT CATERPILLAR GROMMET (DEC 9007622) 7/8" LONG, ON ONE SIDE CUT TOOTH OUT 3/8" FROM ONE END, ON EACH END SPRAY WITH GLOTTON GROMMET ADHESIVE NO. 77 (DEC 9008907) FOLLOW DIRECTIONS FOR NON-PERMANENT BONDS ON BACK OF CAN. PLACE THE GROMMET OVER 1725 TRANSFORMERS WITH CUTOUT TOOTH OVER CAPACITOR C40.
 - IN PLACE OF DEC 6380 (ITEM #49), DEC 380 (1909485) MAY BE USED.
 - R65 IS DETERMINED BY THE VOLTAGE AT PIN HA1 WITH RESPECT TO +5V.
 - ALLOWABLE MEMORY SYSTEM CONFIGURATIONS:
MM8-EJ
H212 OR H212A STACK
G111 OR G115 S/I
G233 OR G234 X-Y

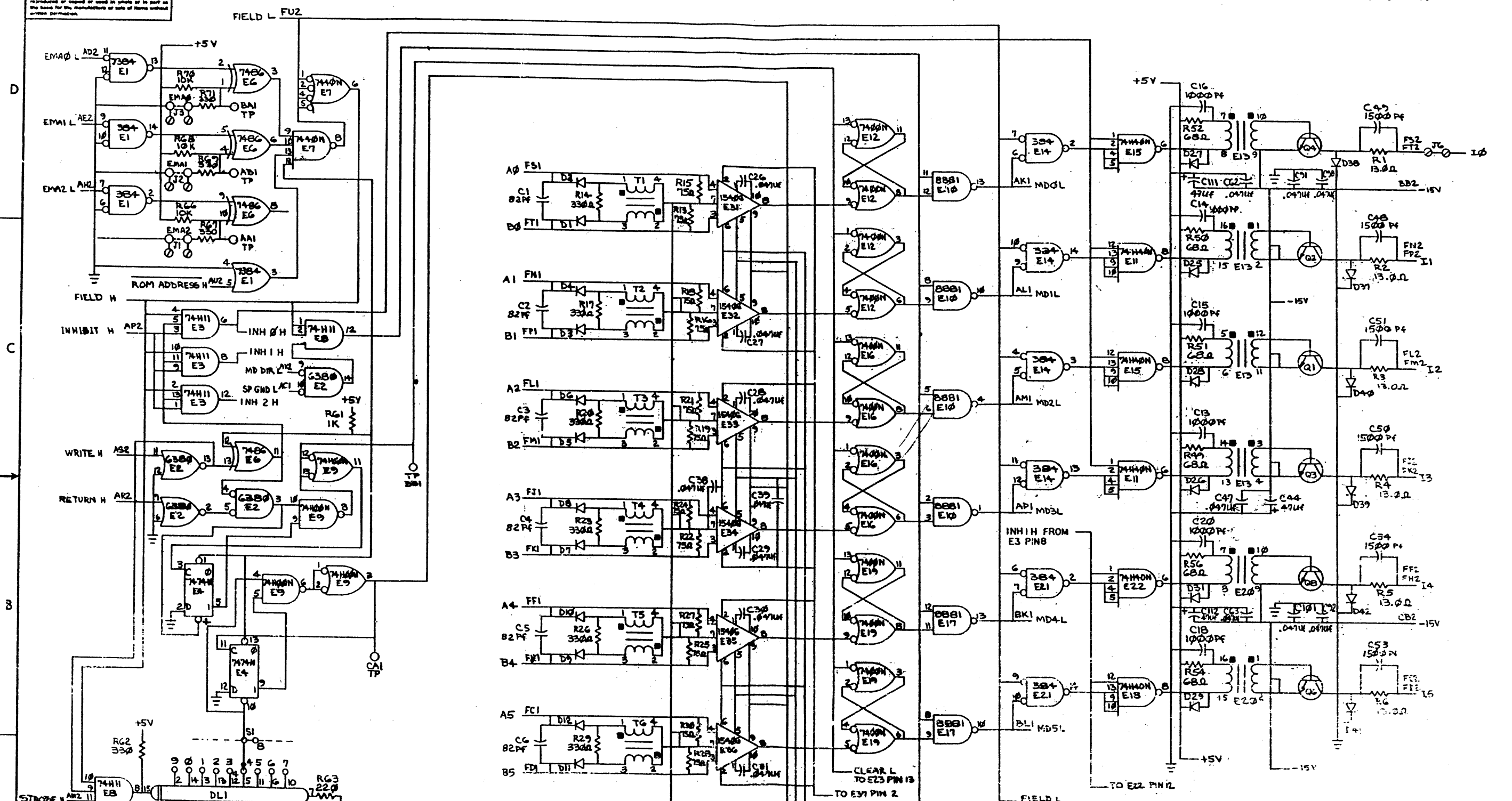
QTY	REF DESIGNATION	DESCRIPTION	PART NO.	ITEM NO.
1	R91	RES. 125. 1/4W 1%	1302356	65
1	E1	IC DEC 7394	1910393	65
A/4	R65	BLK & WHT #30 TWP	9107720-09	64
1	R65	SEE NOTE ABOVE		63
1	R102	RES. 10. 1/4W 10%	1300170	62
13		SPLIT LUGS	9006735	61
1	R81	RES. 274 1/8W 1% 100 MFP	1304866	60
WE		SCOTCH GRIP ADHESIVE	9008907	59
A/4		CATERPILLAR GROMMET	9007622	58
REF		ASSY DRILLING HOLE LAYOUT	AH-G111-0-57	57
2	R50, R101	RES. 100. 1/8W 1% 100 MFP	1302858	56
NR	2	WIRE #22 AWG SOLID BUS	9107560-01	55
2		SPACER (CABLE CLAMP)	120704	54
4		EYELET #654-111 E.B. STIMPSON	9006750	53
1	E6	IC DEC 7486	1910011	52
3	E10, E17, E24	IC DEC 8881	1909706	51
3	E14, E21, E28	IC DEC 384	1909486	50
1	E2	IC DEC 8280	1909477	49
2	E3, E8	IC DEC 744H	1909267	48
1	E9	IC DEC 74400N	1909056	47
6	E11, E15, E18, E22, E25, E29	IC DEC 7440N	1905586	46
1	E7	IC DEC 7440N	1905579	45
6	E12, E16, E19, E23, E26, E30	IC DEC 7400N	1905575	44
1	E4	IC DEC 7474N	1905547	43
12	E31-E42	IC MC 1540G	1905521	42
1	D11	LOONS DELAY LINE	1610033-0	41
3	E13, E20, E27	PULSE TRANSFORMER	1609996	40
12	T1-T12	TRANSFORMER 17#-5	1609478	39
2	Q1-Q12	TRANSISTOR DEC 3734	1500062	38
6	Q23, Q24	TRANSISTOR DEC 3762	1506446	37
9	Q14-Q22	TRANSISTOR DEC 6334-B	1503409-01	36
1	Q13	TRANSISTOR DEC 2219-S	1501881	35
12	R1-R12	RES. 13.0K 6W 1%	130032-01	34
12	R43-R60	RES. 68. 1/2W 5% CC	1309405	33
1	R89	RES. 68. 1/8W 1%	130525	32
1	R88	RES. 5.62K 1/8W 1%	1305128	31
2	R74, R95	RES. 4.64K 1/8W 1%	1304856	29
1	R77	RES. 1.02K 1/8W 1%	1304855	28
2	R92, R85	RES. 1.96K 1/8W 1%	1304833	27
3	R82, R83, R96	RES. 1K 1/8W 1%	1303114	26
1	R78	RES. 1.21K 1/8W 1%	1302871	25
24	R13, R15, R16, R18, R19, R21, R22, R24, R25, R27, R28, R30, R31, R33, R34, R36, R37, R39, R40, R42, R43, R45, R46, R48	RES. 75 1/8W 1%	1303064	24
1	R86	RES. 680. 1/4W 5% CC	1301424	23
6	R66, R68, R70, R80, R94, R99	RES. 10K 1/4W 5% CC	1300479	22
3	R73, R76, R97	RES. 4.7K 1/4W 5% CC	1300447	21
2	R61, R87	RES. 1K 1/4W 5% CC	1300365	20
19	R14, R17, R20, R23, R26, R29, R32, R35, R38, R41, R44, R47, R62, R67, R69, R71, R84, R93, R98	RES. 330. 1/4W 5% CC	1300295	19
1	R63	RES. 220. 1/4W 5% CC	1300271	18
1	R100	RES. 100. 1/4W 5% CC	1300229	17
3	R72, R74, R75	RES. 68. 1/4W 10% CC	1300222	16
1	S1	ROTARY SWITCH	1200043-0	15
1	D4	HANDLE FLIP CHIP - GREEN	9008337-01	14
1	D44	DIODE .4M 6.8A21	1109991-1	13
36	D1-D24, D37-D48	DIODE D672	1105275	12
12	D25-D36	DIODE D664	1100114	11
32	C62-C64, C91-C93, C98, C101, C102, C110	CAP .047 UF 16V 20% DISC	1009678	10
33	C88, C65-C90, C94, C96, C104	CAP .01 UF 100V 20% DISC	1001640	9
6	C44-C46, C111-C113	CAP. 47 UF 20V 20% S. TANT	1000079	8
7	C95, C97, C100, C103, C104, C107, C114	CAP. 6.8 UF 35V 20% S. TANT	1000067	7
12	C48-C51, C53-C56, C58-C61	CAP 1500 P 200V 10% DISC	1000054	6
12	C13-C24	CAP. 1000PF 100V 5% MICA	1000042	5
12	C1-C12	CAP. 100V 5% D. MICA	1000045	4
REF		ETCHED CIRCUIT BOARD	5002344	3
REF		MODULE ECO HISTORY	B-MH-G111-0-6	2
REF		X-Y COORDINATE HOLE LOCATION	X-CO-G111-0-4	1

REV	DATE	BY	CHKD	DESCRIPTION
55	22	JG-A	J6-B	
		J5-A	J5-B	
		J4-A	J4-B	
		J3-A	J3-B	
		J2-A	J2-B	
		J1-A	J1-B	

REV	DATE	BY	CHKD	DESCRIPTION
DEC 3734	SAME			
DEC 3762	SAME			
DEC 6534-B	MPS4534			
DEC 2219-S	2N 2219			
A M 68A21	IN4099			
D672	IN3653			
D664	IN3006			
DEC NO	EIA NO			

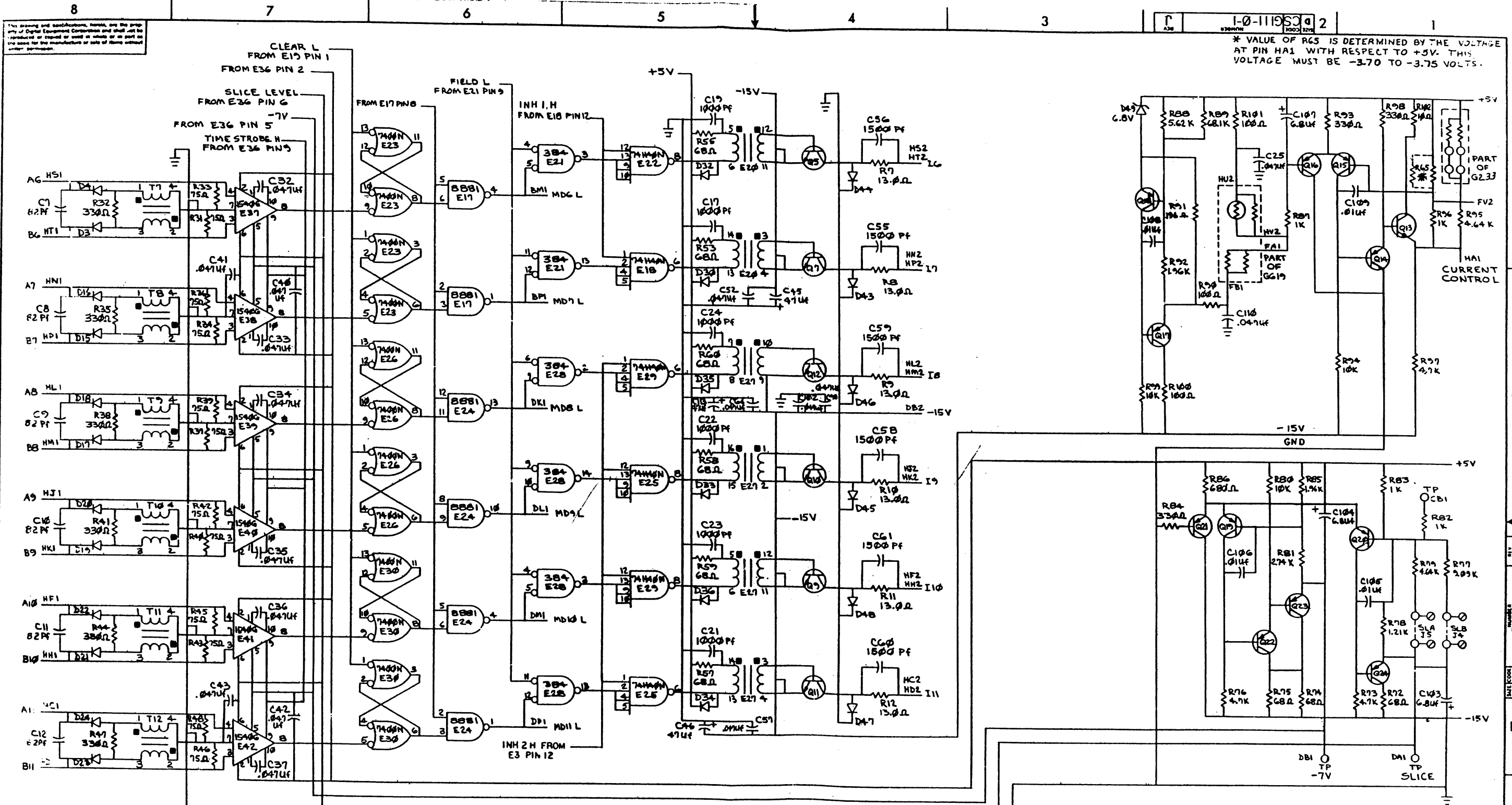
REV	DATE	BY	CHKD	DESCRIPTION
DEC 3734	SAME			
DEC 3762	SAME			
DEC 6534-B	MPS4534			
DEC 2219-S	2N 2219			
A M 68A21	IN4099			
D672	IN3653			
D664	IN3006			
DEC NO	EIA NO			

This drawing and specifications, herein, are the property of Digital Equipment Corporation and shall not be reproduced or copied or used in whole or in part as the basis for the manufacture or sale of items without written permission.



REVISIONS
 CHANGE NO.
 DATE

FIRST USED ON OPTION/MODEL	QTY.	DESCRIPTION	PART NO.	ITEM NO.
MM8-E				
PARTS LIST				
UNLESS OTHERWISE SPECIFIED DIMENSION IN INCHES TOLERANCES		DRN <i>E. Carberry</i> DATE 3/8/72	EQUIPMENT CORPORATION	
DECIMALS	ANGLES	CHKD. <i>E. Carberry</i> DATE 7-23-72	TITLE	
.XXX - .008	±0° 30'	ENG. <i>W. Carter</i> DATE 12/7/72	4K OR 8K SENSE INHIBIT BOARD	
REMOVE BURRS AND BREAK SHARP CORNERS SURFACE QUALITY		PROD. ENG. <i>W. Carter</i> DATE 2/17/72		
MATERIAL		PROD. <i>R.K. ...</i> DATE 2-2-72		
FINISH		NEXT HIGHER ASSY.	SIZE CODE	NUMBER
		A-PL-MM3-E-0	DCC	G11-0-1
		SHEET - 2 OF 3	SCALE	REV
		DIST		J

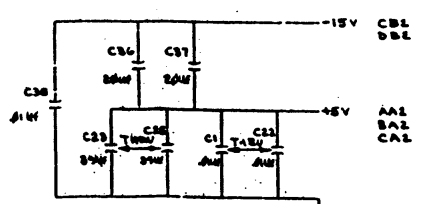
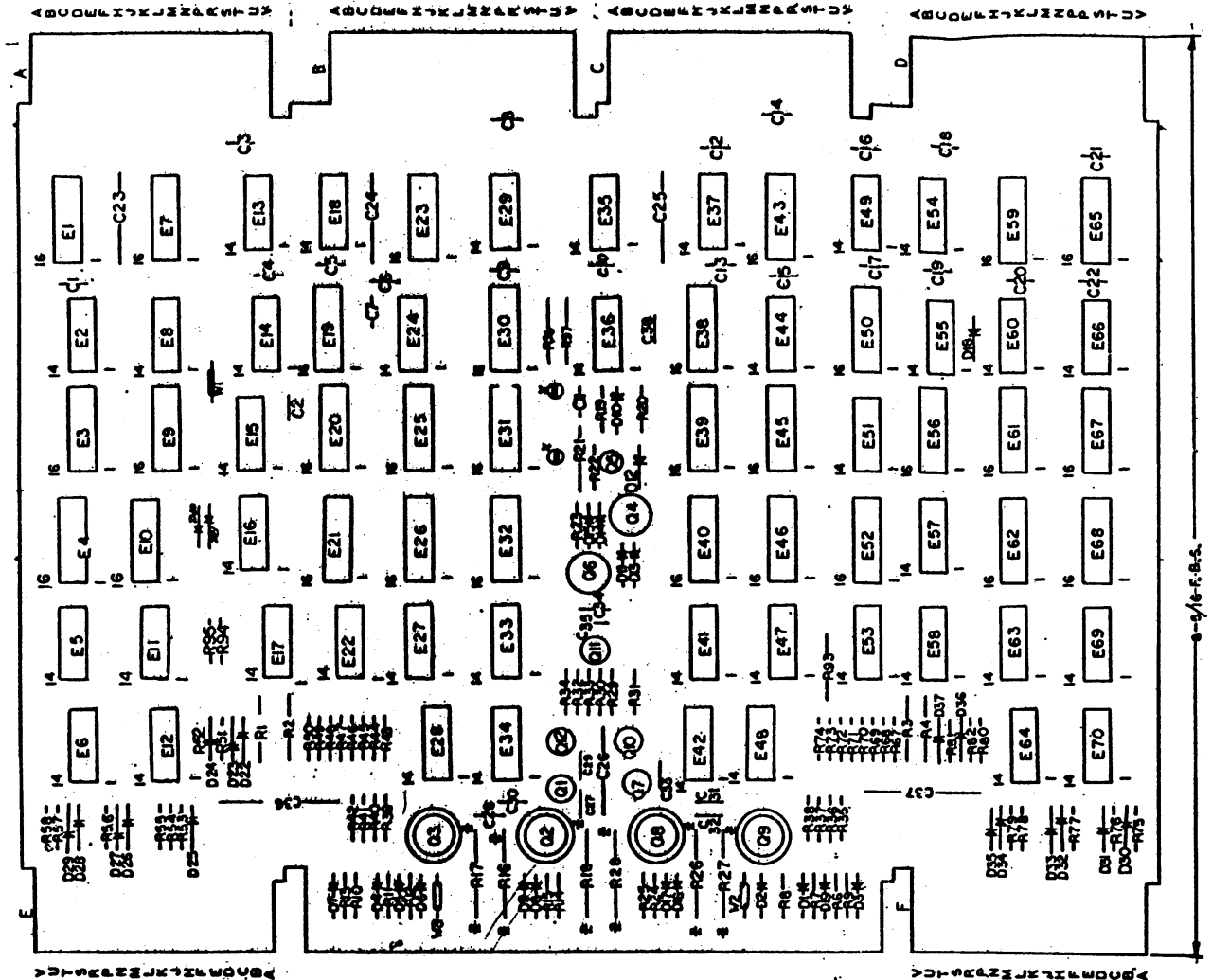


1-0-1119SC 2
 * VALUE OF R65 IS DETERMINED BY THE VOLTAGE AT PIN HA1 WITH RESPECT TO +5V. THIS VOLTAGE MUST BE -3.70 TO -3.75 VOLTS.

FIRST USED ON OPTION/MODEL	QTY.	DESCRIPTION	PART NO.	ITEM NO.
PARTS LIST				
UNLESS OTHERWISE SPECIFIED DIMENSION IN INCHES TOLERANCES	DRN CHKD	DATE 3/19/72	digital CORPORATION MAYFIELD ROAD, WILMINGTON, OH 43081	
DECIMALS	ANGLES	DATE 3-27-72		
JCK - .005 JK - .02 K - .1	20° 30'	DATE 3/25/72	TITLE 4K OR 8K SENSE INHIBIT BOARD	
REMOVE BURRS AND BREAK SHARP CORNERS SURFACE QUALITY	PROJ. ENG. W. Conner	DATE 3/27/72		
MATERIAL	NEXT HIGHER ASSY.	DATE 3-31-72	SIZE CODE DCS G111-0-1	
FINISH	SCALE	DATE		
	SHEET 3 OF 3	DIST.	NUMBER REV J	

REV	CHG	NO	DATE

NOTES:
 1. UNLESS OTHERWISE SPECIFIED, ALL RESISTORS TO BE 150Ω.
 2. 4008-X (P.N. 15-10015-01) MAY BE USED IN CASE OF A SHORTAGE OF 4011 ITEM # 34.
 3. ALLOWABLE MEMORY SYSTEM
 MMB-EJ MMB-EH
 HZ12 OR HZ12A STACK HZ11 OR HZ11A STACK
 G111 OR G115 S/I G115 S/I
 G233 OR G234 X-Y G234 X-Y



AC1, AC1
 AP1, AP1
 AP2, AP1
 AP3, AP1
 AP4, AP1
 AP5, AP1
 AP6, AP1
 AP7, AP1
 AP8, AP1
 AP9, AP1
 AP10, AP1
 AP11, AP1
 AP12, AP1
 AP13, AP1
 AP14, AP1
 AP15, AP1
 AP16, AP1
 AP17, AP1
 AP18, AP1
 AP19, AP1
 AP20, AP1
 AP21, AP1
 AP22, AP1
 AP23, AP1
 AP24, AP1
 AP25, AP1
 AP26, AP1
 AP27, AP1
 AP28, AP1
 AP29, AP1
 AP30, AP1
 AP31, AP1
 AP32, AP1
 AP33, AP1
 AP34, AP1
 AP35, AP1
 AP36, AP1
 AP37, AP1
 AP38, AP1
 AP39, AP1
 AP40, AP1
 AP41, AP1
 AP42, AP1
 AP43, AP1
 AP44, AP1
 AP45, AP1
 AP46, AP1
 AP47, AP1
 AP48, AP1
 AP49, AP1
 AP50, AP1
 AP51, AP1
 AP52, AP1
 AP53, AP1
 AP54, AP1
 AP55, AP1
 AP56, AP1
 AP57, AP1
 AP58, AP1
 AP59, AP1
 AP60, AP1
 AP61, AP1
 AP62, AP1
 AP63, AP1
 AP64, AP1
 AP65, AP1
 AP66, AP1
 AP67, AP1
 AP68, AP1
 AP69, AP1
 AP70, AP1
 AP71, AP1
 AP72, AP1
 AP73, AP1
 AP74, AP1
 AP75, AP1
 AP76, AP1
 AP77, AP1
 AP78, AP1
 AP79, AP1
 AP80, AP1
 AP81, AP1
 AP82, AP1
 AP83, AP1
 AP84, AP1
 AP85, AP1
 AP86, AP1
 AP87, AP1
 AP88, AP1
 AP89, AP1
 AP90, AP1
 AP91, AP1
 AP92, AP1
 AP93, AP1
 AP94, AP1
 AP95, AP1
 AP96, AP1
 AP97, AP1
 AP98, AP1
 AP99, AP1
 AP100, AP1

QTY	REF DESIGNATION	DESCRIPTION	PART NO.	ITEM NO.
1	W1, W2, W3	MACH. INSER. JUMPER	9009185	46
1	C26	CAP. 390 PF 50V 5%	1001641	48
1	C26	CAP. 150PF 35V, 20% STANT	1002180	14
1	R25	RES 56K, 1/4W, 5%	130874	43
1	R27	RES 34.8K, 1/4W, 1%	1309150	42
1		SPLIT LUG	1000125	11
1				10
1				29
1				28
1				27
1		RES 100Ω ; CAP 1500 P	1711200	26
1				25
1		SEE NOTE 2		24
1				23
1				22
1				21
1				20
1				19
1				18
1				17
1				16
1				15
1				14
1				13
1				12
1				11
1				10
1				9
1				8
1				7
1				6
1				5
1				4
1				3
1				2
1				1

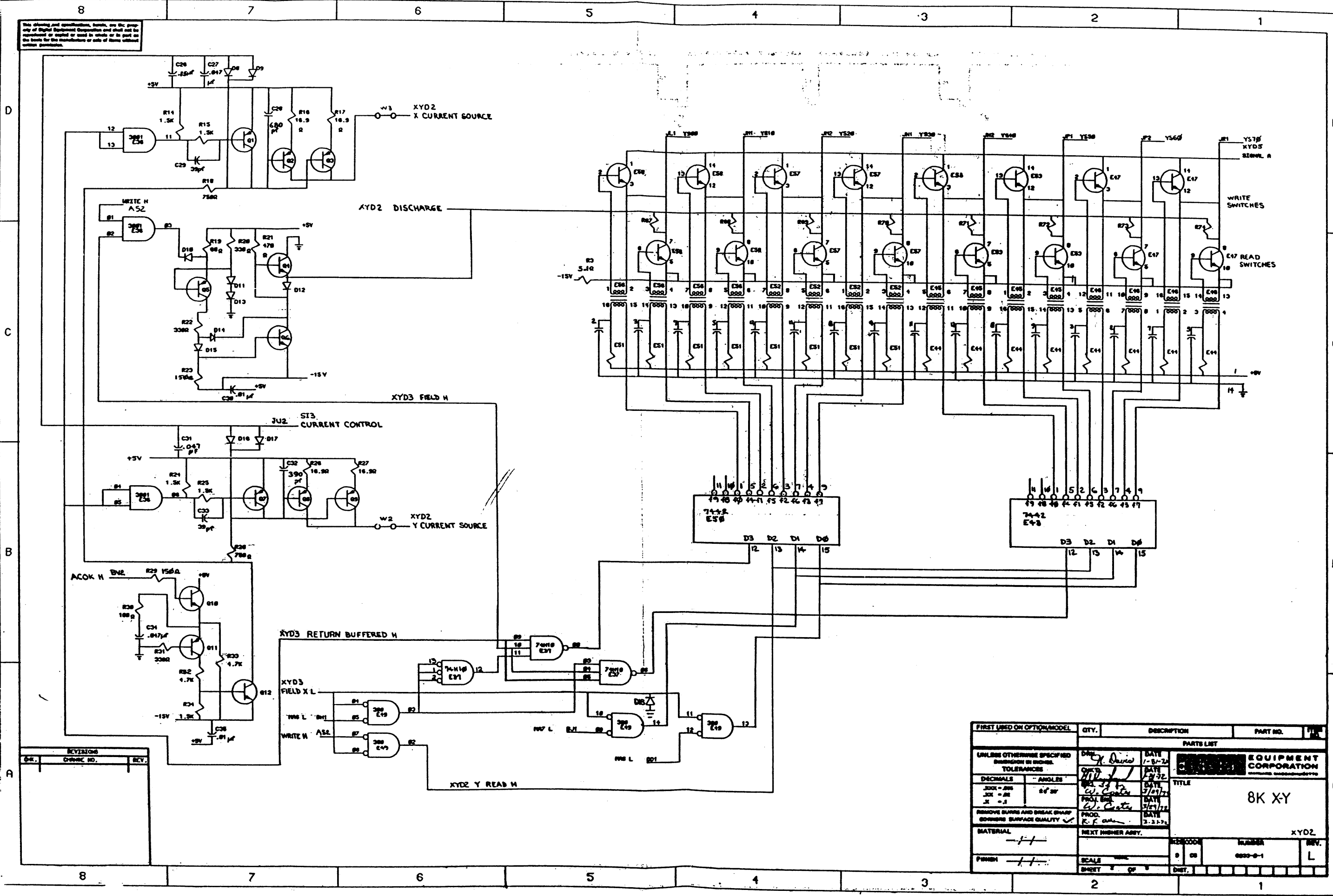
IC PIN LOCATIONS	JUMPER LIST
IC DEC 6980	
IC DEC 7442	
IC TYPE	
IC NO.	
IC PIN	
IC VALUE	
IC PART NO.	
IC MANUFACTURER	
IC DATE	
IC REVISION	
IC COMMENTS	

SEMICONDUCTOR CONVERSION CHART

REF. NO.	DESCRIPTION	CONVERTED PART NO.
1	74181	74181
2	74182	74182
3	74183	74183
4	74184	74184
5	74185	74185
6	74186	74186
7	74187	74187
8	74188	74188
9	74189	74189
10	74190	74190
11	74191	74191
12	74192	74192
13	74193	74193
14	74194	74194
15	74195	74195
16	74196	74196
17	74197	74197
18	74198	74198
19	74199	74199
20	74200	74200
21	74201	74201
22	74202	74202
23	74203	74203
24	74204	74204
25	74205	74205
26	74206	74206
27	74207	74207
28	74208	74208
29	74209	74209
30	74210	74210
31	74211	74211
32	74212	74212
33	74213	74213
34	74214	74214
35	74215	74215
36	74216	74216
37	74217	74217
38	74218	74218
39	74219	74219
40	74220	74220
41	74221	74221
42	74222	74222
43	74223	74223
44	74224	74224
45	74225	74225
46	74226	74226
47	74227	74227
48	74228	74228
49	74229	74229
50	74230	74230
51	74231	74231
52	74232	74232
53	74233	74233
54	74234	74234
55	74235	74235
56	74236	74236
57	74237	74237
58	74238	74238
59	74239	74239
60	74240	74240
61	74241	74241
62	74242	74242
63	74243	74243
64	74244	74244
65	74245	74245
66	74246	74246
67	74247	74247
68	74248	74248
69	74249	74249
70	74250	74250
71	74251	74251
72	74252	74252
73	74253	74253
74	74254	74254
75	74255	74255
76	74256	74256
77	74257	74257
78	74258	74258
79	74259	74259
80	74260	74260
81	74261	74261
82	74262	74262
83	74263	74263
84	74264	74264
85	74265	74265
86	74266	74266
87	74267	74267
88	74268	74268
89	74269	74269
90	74270	74270
91	74271	74271
92	74272	74272
93	74273	74273
94	74274	74274
95	74275	74275
96	74276	74276
97	74277	74277
98	74278	74278
99	74279	74279
100	74280	74280

EQUIPMENT CORPORATION
 BK X-Y
 E CS G233-01
 8K X-Y

This drawing and specifications, herein, are the property of Digital Equipment Corporation and shall not be reproduced or used in whole or in part on the basis of the manufacture or sale of items without written permission.

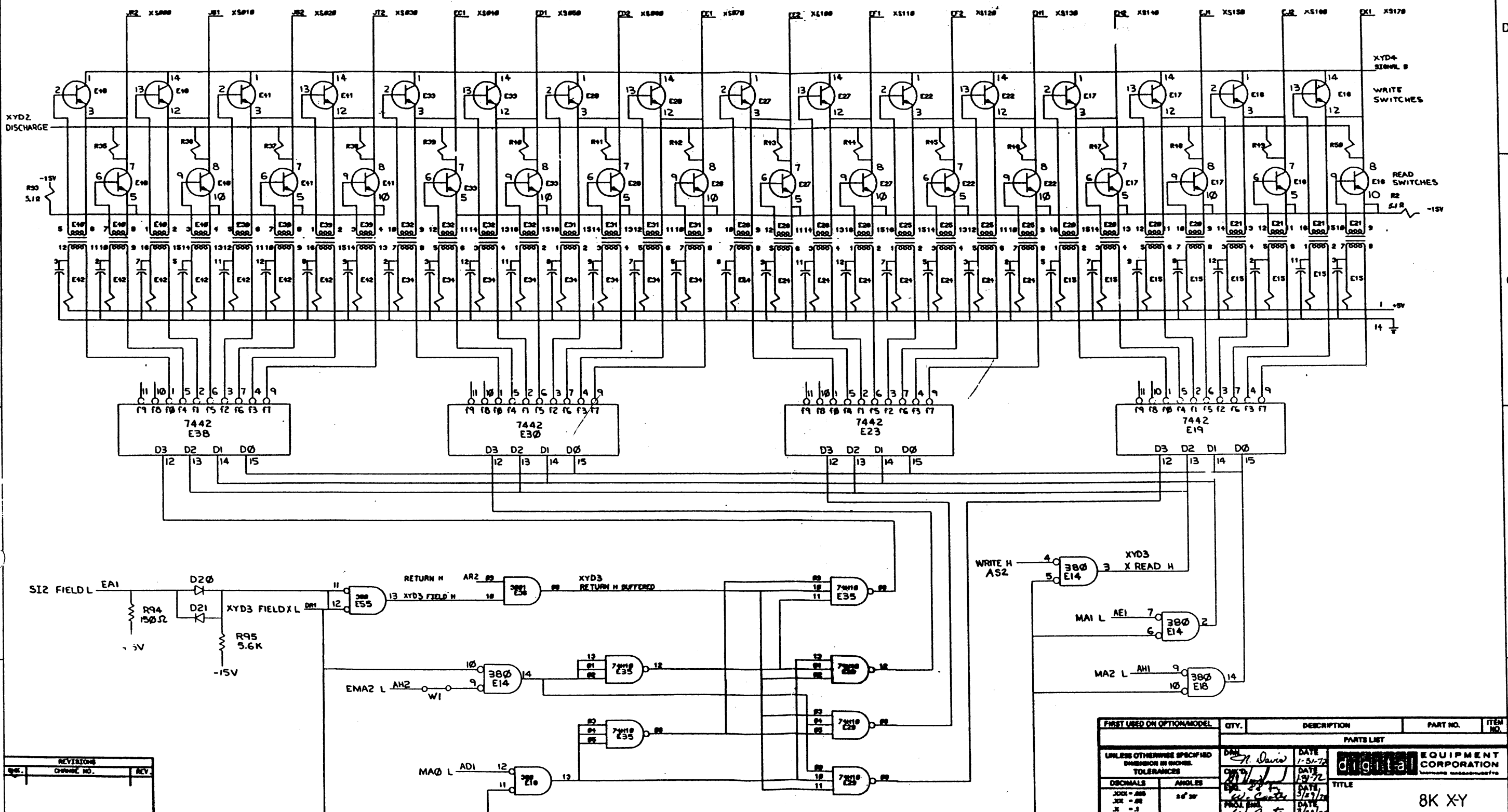


REV.	CHANGE NO.	REV.

FIRST USED ON OPTION/MODEL	QTY.	DESCRIPTION	PART NO.
UNLESS OTHERWISE SPECIFIED DIMENSIONS IN INCHES.			
TOLERANCES			
DECIMALS			
ANGLES			
JXX - .005			
JX - .01			
J - .1			
REMOVE BURRS AND BREAK SHARP EDGES TO SURFACE QUALITY			
MATERIAL			
FINISH			

PARTS LIST		EQUIPMENT CORPORATION	
DATE	1-31-72	TITLE	8K XY
BY	J. Davis	DATE	1/31/72
CHKD	W. J. ...	DATE	2/1/72
PROJ. ENG.	W. J. ...	DATE	2/1/72
PROD. ENG.	W. J. ...	DATE	2-2-72
REVISION		REV.	L
SCALE		NUMBER	8830-9-1
SHEET	2 OF 2	DIET.	

This drawing and specifications, herein, are the property of Digital Equipment Corporation and shall not be reproduced or copied or used in whole or in part as the basis for the manufacture of any of their products without written permission.



REVISIONS		
REV.	CHANGE NO.	REV.

FIRST USED ON OPTION/MODEL	QTY.	DESCRIPTION	PART NO.	ITEM NO.
PARTS LIST				
UNLESS OTHERWISE SPECIFIED DIMENSIONS IN INCHES TOLERANCES		<div style="display: flex; align-items: center;"> <div style="margin-left: 10px;"> DIGITAL EQUIPMENT CORPORATION 8K XY </div> </div>		
DECIMALS	ANGLES			
JXX - .005	30° ±	DATE: 1-31-72 DATE: 1-31-72 DATE: 3/27/72 DATE: 3/27/72 DATE: 3/27/72		
RECEIVE BURRS AND BREAK SHARP CORROSION SURFACE QUALITY		TITLE: 8K XY DATE: 3-27-72		
MATERIAL	NEXT HIGHER ASSY.	SIZE CODE: NUMBER: REV. L		
FINISH	SCALE: NONE	SHEET 3 OF 8		

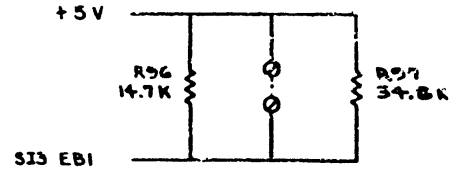
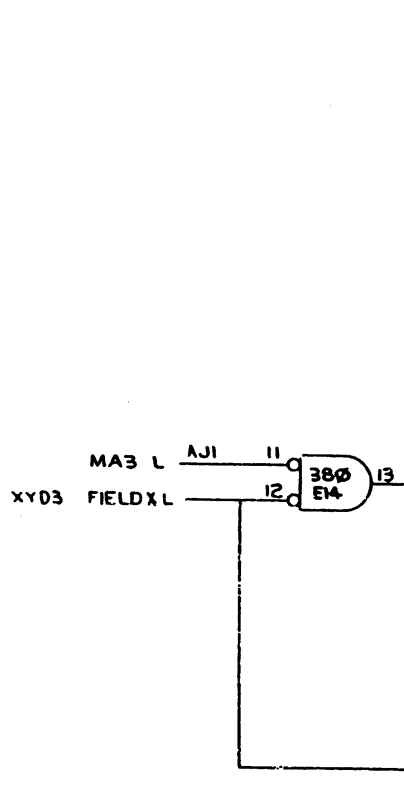
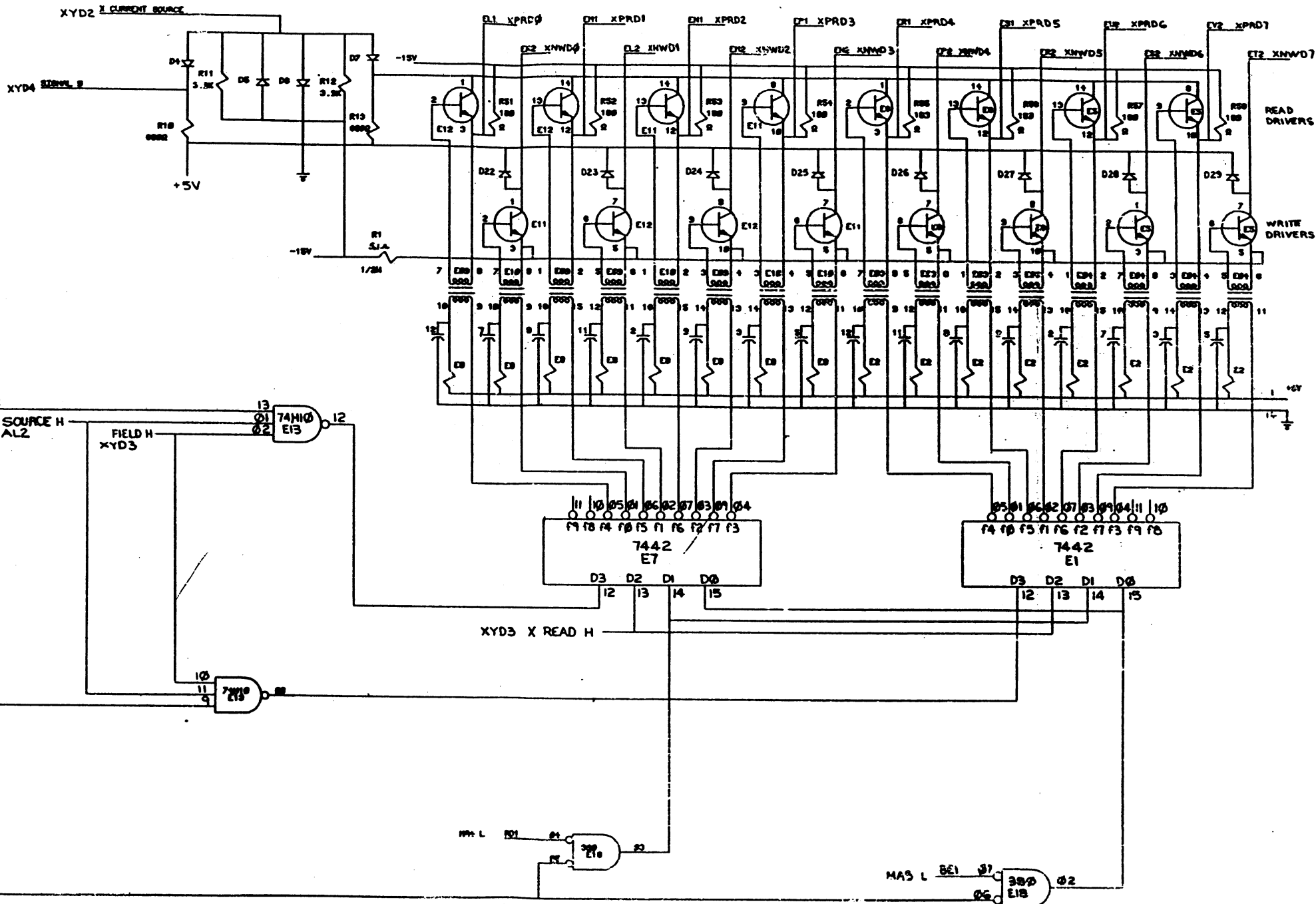
This drawing and specifications, herein, are the property of Digital Equipment Corporation and shall not be reproduced or copied or used in whole or in part as the basis for the manufacture or sale of items without written permission.

D

C

B

A



REVISION		
REV.	CHANGE NO.	REV.

DESIGNATION		QTY.	DESCRIPTION	PART NO.	REV.
UNLESS OTHERWISE SPECIFIED TOLERANCES					
RESISTORS	±1%				
CAPACITORS	±5%				
EQUIPMENT CORPORATION					
TITLE: 8K XY					
DATE: 5/27/72					
DRAWN BY: [Signature]					
CHECKED BY: [Signature]					
APPROVED BY: [Signature]					
MATERIAL: --					
NEXT NUMBER ADV.					
SCALE: 1:1					
SHEET 1 OF 1					

8

7

6

5

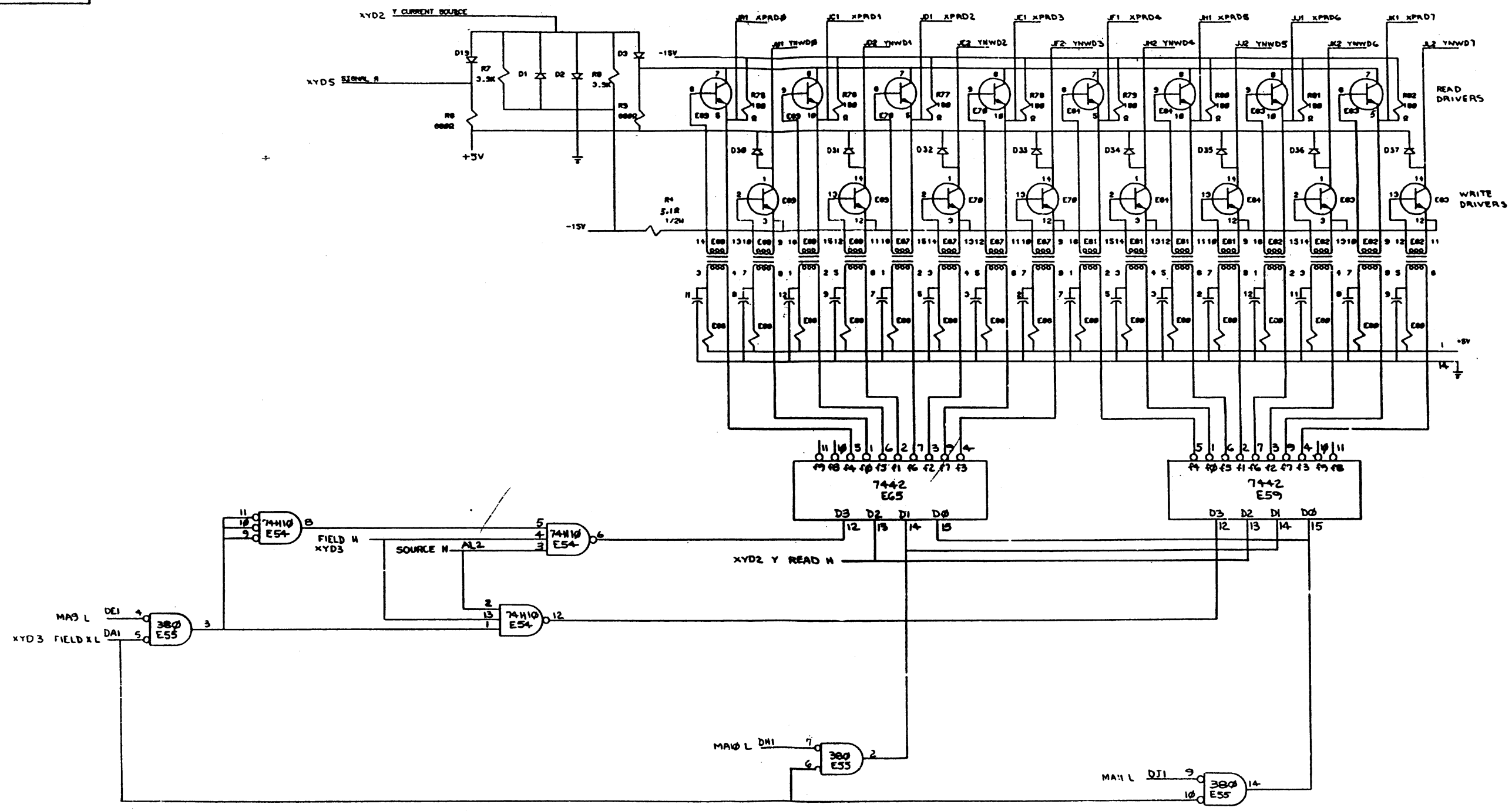
4

3

2

1

The drawing and specifications herein are the property of Digital Equipment Corporation and shall not be reproduced or stored in whole or in part on any form for the manufacture of sets of parts without written permission.



REVISIONS		
CHK	CHANGE NO.	REV

FIRST USED ON OPTION/MODEL	QTY.	DESCRIPTION	PART NO.	ITEM NO.
PARTS LIST				
UNLESS OTHERWISE SPECIFIED DIMENSION IN INCHES TOLERANCES	DWG 7/20/72	DATE 1-21-72	digital EQUIPMENT CORPORATION CORPORATION 02060-02070	
DECIMALS ANGLES	DATE 1/21/72	DATE 1/21/72		
JOCK - .001 JOK - .001 X - .1	DATE 3/2/72	DATE 3/2/72	TITLE 8K X-Y	
REMOVE BURRS AND BREAK SHARP CORNERS SURFACE QUALITY	DATE 3-3-72	DATE 3-3-72		
MATERIAL	NEXT HIGHER ASSY.		REV. CODE	NUMBER
FINISH	SCALE	NO.	0	0000-0-1
SHEET 5 OF 8		DST.		