

DIGITAL EQUIPMENT CORPORATION MAYNARD, MASSACHUSETTS		DATE 11/19/74			
ENGINEERING SPECIFICATION					
TITLE MS8-A FIELD INSTALLATION & ACCEPTANCE PROCEDURE					
REVISIONS					
REV	DESCRIPTION	CHG NO	ORIG DATE	APPD BY	DATE

ENG *John Hill* 20 Dec 74 APPD *J.C.H.*  
 DEC FORM NO. DRA 107  
 SIZE CODE MS8-A-1  
 A

ENGINEERING SPECIFICATION		CONTINUATION SHEET	
TITLE MS8-A FIELD INSTALLATION & ACCEPTANCE PROCEDURE			
I GENERAL			
This procedure defines the performance standards required of an MS8A* RAM memory.			
NOTE: If MS8A was shipped as part of a PDP-8A system, proceed to installation procedure.			
*MS8AA (M8311YA) 1K Semiconductor Random Access Memory MS8AB (M8311YB) 2K Semiconductor Random Access Memory MS8AD (M8311YD) 4K Semiconductor Random Access Memory			
II INSPECTION			
After removing the MS8A from packing material, inspect the module for the following:			
1. Check for loose or broken components.			
2. Inventory software against software list, if ordered.			
3. Inventory prints against shipping list, if ordered.			
4. Inventory hardware against shipping list.			
III INSTALLATION PROCEDURE			
Install the equipment using the following procedure:			
1. Set up switches as indicated below for the particular variation being accepted.			
M8311YA 1K	M8311YB 2K	M8311YD 4K	
M8311YA	M8311YB	M8311YD	
SI-1	ON	ON	ON = field 0
SI-2	ON	ON	ON = field 0
SI-3	ON	ON	ON = field 0
SI-4	ON	ON	ON ST Add
SI-5	ON	ON	ON ST Add
SI-6	OFF	OFF	ON On for 4K
SI-7	OFF	OFF	OFF On for 2K
SI-8	OFF	OFF	ON On for 1K
SI-9	ON	OFF	OFF Normally On
SI-10	ON	ON	ON Normally On
NOTE: Reference Operator's Handbook for complete description of switch settings.			

DEC FORM NO DRA 108  
 DEC 16-12811-1022-4376  
 SIZE CODE MS8-A-1  
 A  
 SHEET 3 OF 3

This drawing and specifications herein are the property of Digital Equipment Corporation and shall not be reproduced or copied or used in whole or in part as the basis for the manufacture or sale of items without written permission. 1/74 ©

ENGINEERING SPECIFICATION		CONTINUATION SHEET	
TITLE MS8-A FIELD INSTALLATION & ACCEPTANCE PROCEDURE			
III INSTALLATION PROCEDURE (continued)			
2. Insure that the PDP-8A power is removed from the Omnibus TM.			
3. Insert the MS8A into the last slot vacant in the Omnibus TM.			
4. Turn Power on.			
IV ACCEPTANCE PROCEDURE			
Perform the Acceptance Test as indicated in Table B. If problems are encountered, refer to the diagnostic listing for type of error. Reference Operator's Manual and Diagnostic Write-up for instructions on loading diagnostic.			
Equipment required:			
1. PDP-8A with MS8A R/W Memory			
2. Programmer's Console			
3. Paper Tape input Device			
4. Diagnostic and Listings			
NOTE: If the Programmer's console and paper tape input device are not available as part of the system being used, they must be supplied in good working order by the customer.			
Table B			
Acceptance of MS8A: YA or YB			
Program Name	Maindec #	Accept Time	Restrictions
1-4K MOS Memory Test (RIM)	08-DJM5A-PH	30 min	1K or 2K MS8A R/W Memory
Acceptance of MS8A: YD			
1-4K MOS Memory Test	08-DJM5A-PH	15 min.	4K MS8A R/W Memory
4-32K Memory Test	08-DJMMA-PB	15 min.	4K MS8A R/W Memory

DEC FORM NO DRA 108  
 DEC 16-12811-1022-4376  
 SIZE CODE MS8-A-1  
 A  
 SHEET 3 OF 3



THIS DRAWING AND SPECIFICATIONS HEREIN ARE THE PROPERTY OF DIGITAL EQUIPMENT CORPORATION AND SHALL NOT BE REPRODUCED OR COPIED OR USED IN WHOLE OR IN PART AS THE BASIS FOR THE MANUFACTURE OR SALE OF ITEMS WITHOUT WRITTEN PERMISSION. COPYRIGHT © 1974 DIGITAL EQUIPMENT CORPORATION

1-0-11287MPSJU 2

QTY	YA	YB	YC	YD	YE	YF	YH	YJ	REF DESIGNATION	DESCRIPTION	PART NO	ITEM NO
-	-	-	-	24	-	-	-	-	E30, E31, E35, E36, E39, E40, E45, E46, E49, E50, E54, E55, E58, E59, E63, E64, E67, E68, E73, E74, E77, E78, E82, E83	IC DEC 2102-1	2111318-0-1	24
-	-	-	12	-	-	-	-	-	E31, E38, E40, E46, E50, E55, E59, E64, E68, E74, E78, E83	HANDLE FLIP CHIP MAGENTA	9008337-08	25
3	3	3	3	3	3	3	3	3	W1-W5	EYELET GS4-7	9006750	26
1	1	1	1	1	1	1	1	1	W1-W5	IC DEC 8223 OR EQUIVALENT	23083A1	27
5	5	5	5	5	5	5	5	5	W1-W5	INSULATED JUMPER	9009185	28
3	3	3	3	3	3	3	3	3	C84, C85, C86	CAP 6.5 MF 35V, 10% TAPT	1005306	29
14	14	14	14	14	14	14	14	14	R21-R29, R32-R35, R38	RES. 3.3K 1/4W 5%	1300439	30
3	3	3	3	3	3	3	3	3	R44	SPACER (CABLE CLAMP)	1202704	31
1	1	1	1	1	1	1	1	1	E25	RES. 39B 1/4W 5%	1300309	32
1	1	1	1	1	1	1	1	1	E25	CRYSTAL OSCILLATOR 18 MHZ	1811660-01	33

SWITCH DEFINITIONS

SWI	DEFINITION
SWI-1	EMA2
SWI-2	EMA1
SWI-3	EMA0
SWI-4	SEL0
SWI-5	SEL1
SWI-6	4K
SWI-7	3K
SWI-8	2K
SWI-9	1K
SWI-10	

FIELD SELECTION  
'ON' IS 0

STARTING ADDRESS SELECT  
'ON' IS 0

MEMORY SIZE SELECT  
CORRECT SIZE - 'ON'  
OTHERS - 'OFF'

USED FOR TEST ONLY, ALWAYS 'ON'

JUMPER CONFIGURATION

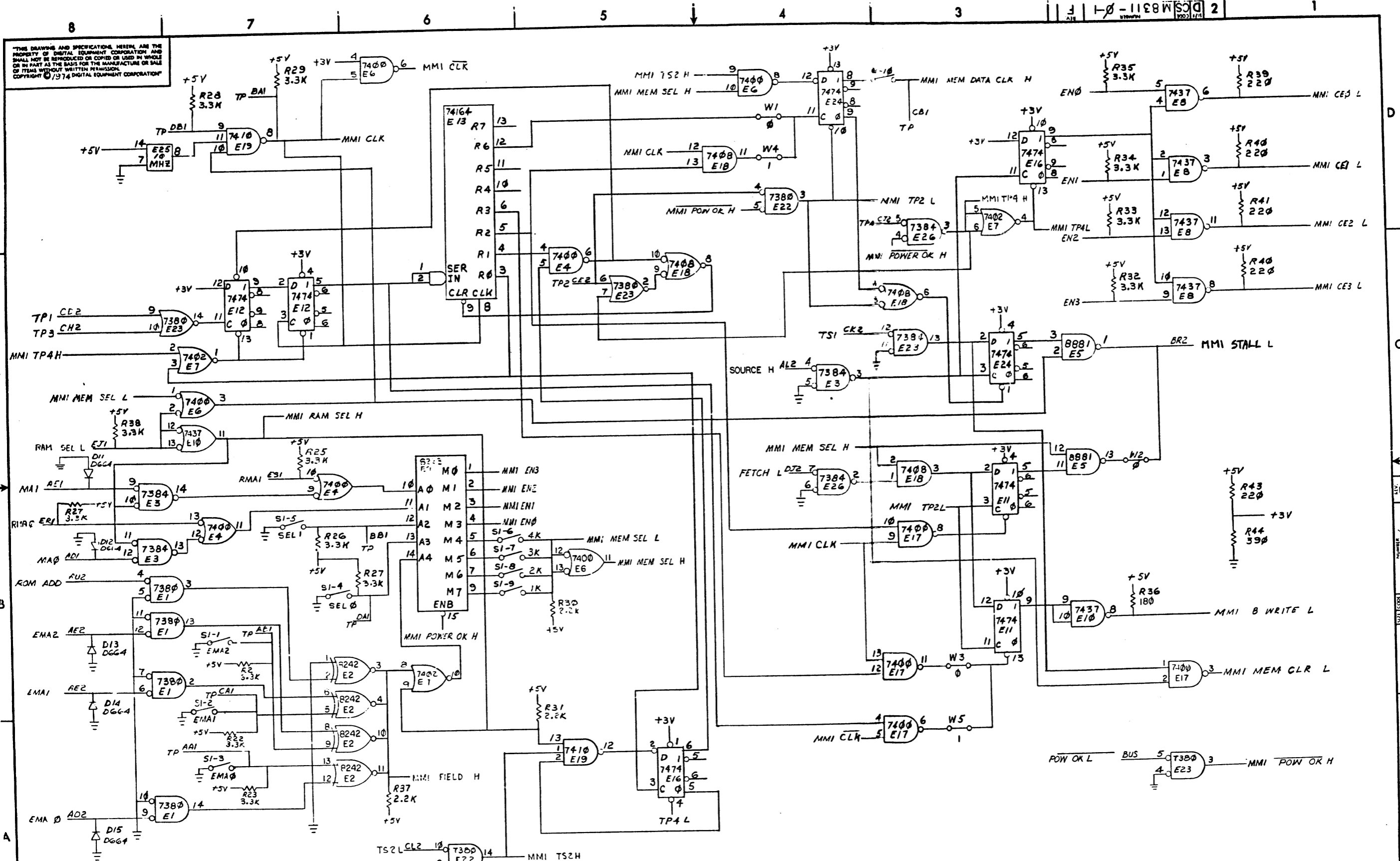
YA, YB, YC AND YD - W1, W2, W3 ARE IN	W4 AND W5 ARE OUT
YE, YF, YH AND YJ - W4 AND W5 ARE IN	W1, W2 AND W3 ARE OUT

REVISIONS		
CHK	CHANGE NO	REV

TITLE	4K X 12 MOS MEMORY	SIZE CODE	D	NUMBER	CSM8311-0-1	REV.	F
SCALE	NONE	SHEET	2	OF	6	DIST.	

D  
C  
B  
A  
FILE  
D.C.S.M8311-0-1

THIS DRAWING AND SPECIFICATIONS HEREIN ARE THE PROPERTY OF DIGITAL EQUIPMENT CORPORATION AND SHALL NOT BE REPRODUCED OR COPIED OR USED IN WHOLE OR IN PART AS THE BASIS FOR THE MANUFACTURE OR SALE OF ITEMS WITHOUT WRITTEN PERMISSION. COPYRIGHT © 1974 DIGITAL EQUIPMENT CORPORATION.

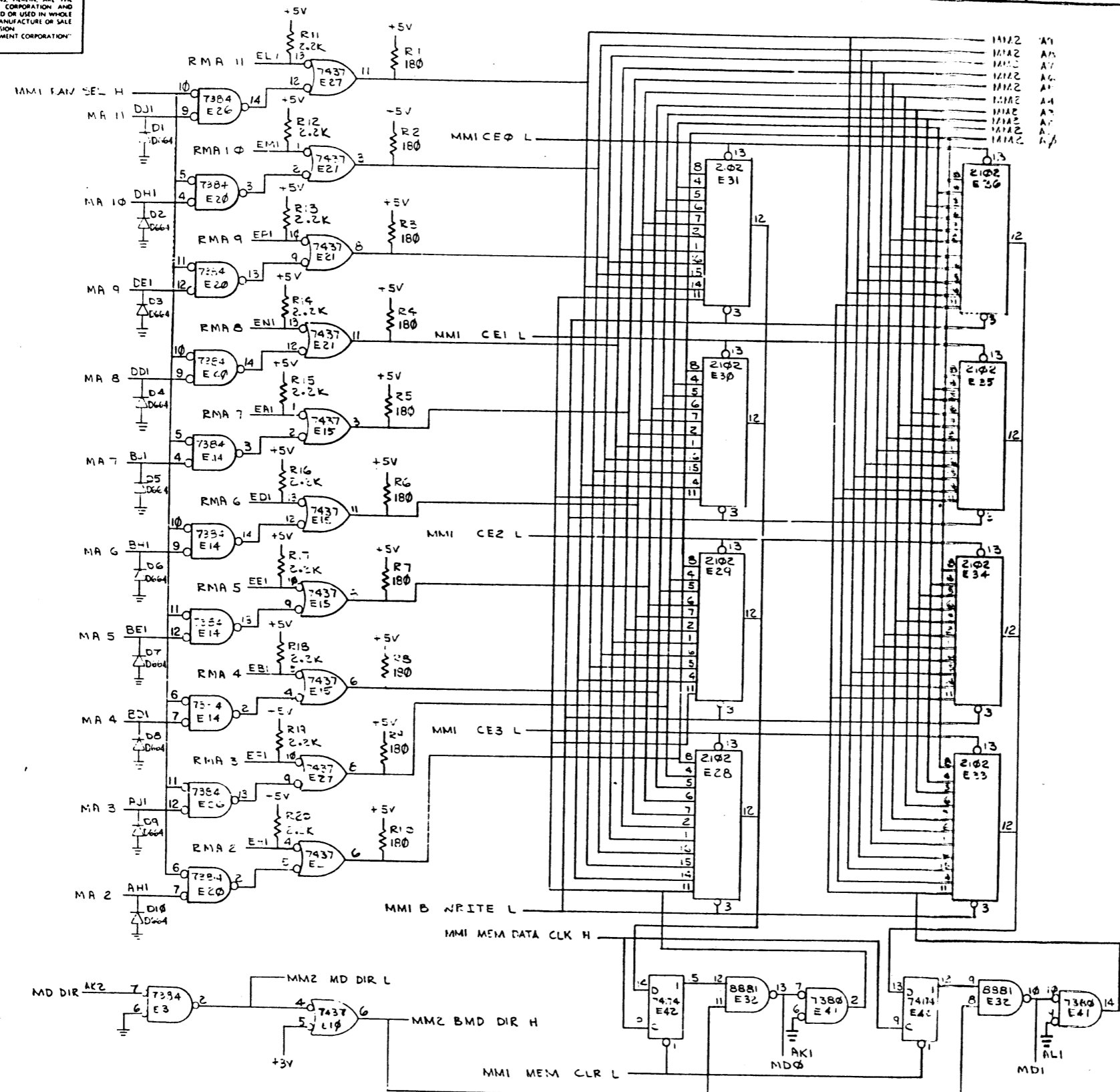


REVISIONS		
CHK	CHANGE NO.	REV.

TITLE	4K X 12 MOS MEMORY (MMI)	SIZE CODE	DCS	NUMBER	MR311-0-1	REV.	F
SCALE		SHEET	3	OF 6			

REV. F  
NUMBER MR311-0-1  
DCS

"THIS DRAWING AND SPECIFICATIONS HEREIN ARE THE PROPERTY OF DIGITAL EQUIPMENT CORPORATION AND SHALL NOT BE REPRODUCED OR COPIED OR USED IN WHOLE OR IN PART AS THE BASIS FOR THE MANUFACTURE OR SALE OF ITEMS WITHOUT WRITTEN PERMISSION. COPYRIGHT © 1973, DIGITAL EQUIPMENT CORPORATION"



MA12  
MA11  
MA10  
MA9  
MA8  
MA7  
MA6  
MA5  
MA4  
MA3  
MA2

REVISIONS		
CHK	CHANGE NO	REV

TITLE	4K X 12 MOS MEMORY (MIA2)	SIZE CODE	DCS	NUMBER	M0311-0-1	REV.	F
SCALE	1/1	SHEET	4	OF	6	DIST.	