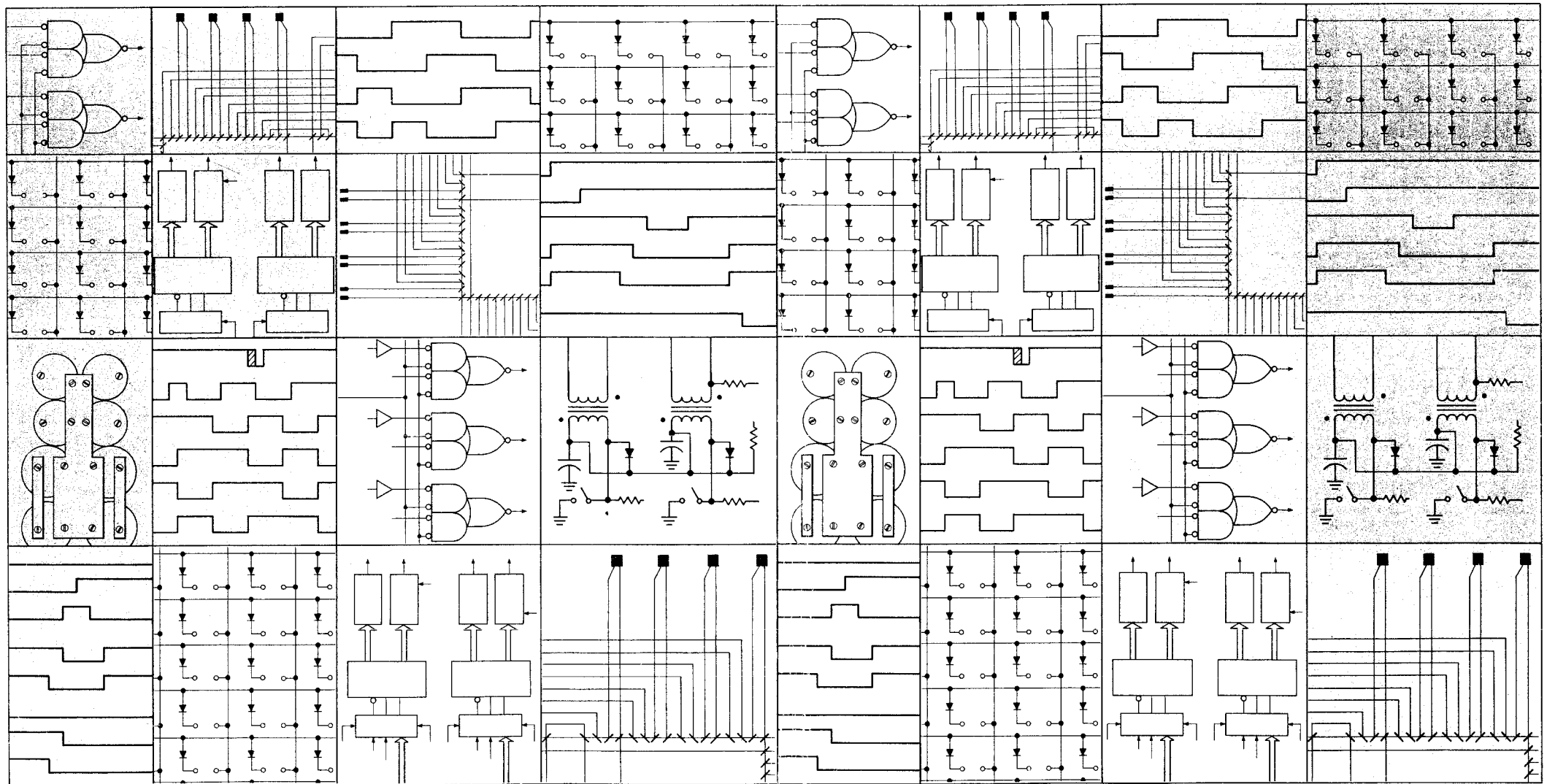


pdp8/e

pdp8/f & pdp8/m



**RK8-E disk
cartridge control
engineering drawings**

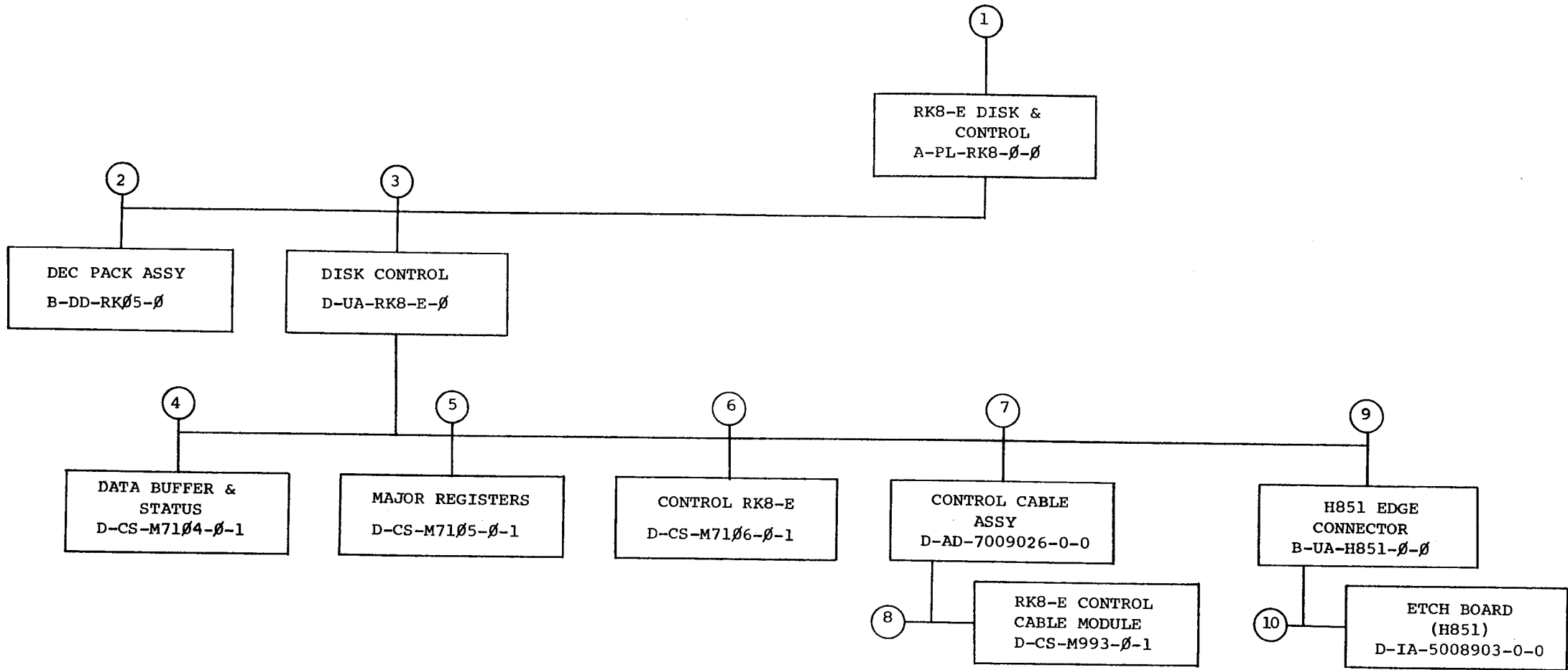
CUSTOMER PRINT SET INDEX

THIS IS PRINT SET

<p>SEQUENCE 7 7</p> <p>RK8-E DISK & CONTROL FIELD INSTALL. & ACCEPT. PROC. RK8-E DISK & CONTROL ACCESSORY SHIPPING LIST DISK CONTROL MAJOR STATES & TIMING FLOW FLOW DIAGRAM RK8-E DATA BUFFER & STATUS MAJOR REGISTERS CONTROL RK8-E CONTROL CABLE ASSY RK8-E CONTROL CABLE MODULE H851 EDGE CONNECTOR DEC PACK ASSY</p>	<p>SEQUENCE 7 7</p> <p>B-DD-RK8-Ø A-SP-RK8-E-6 A-PL-RK8-Ø-Ø A-AL-RK8-E-3 D-UA-RK8-E-Ø D-TD-RK8-E-2 D-FD-RK8-E-1 D-CS-M71Ø4-Ø-1 D-CS-M71Ø5-Ø-1 D-CS-M71Ø6-Ø-1 D-AD-7009026-0-0 D-CS-M993-Ø-1 B-CS-H851-Ø-1 B-DD-RKØ5-Ø</p>
--	--

UNIT VARIATIONS		PRINT SET			
VAR	TITLE	1	2	3	4
RK8-EA	RKØ5-AA&CONTROL, 115V 60 HZ	x			
RK8-EB	RKØ5-BB&CONTROL, 230V 60 HZ	x			
RK8-EC	RKØ5-BC&CONTROL, 115V 50 HZ	x			
RK8-ED	RKØ5-BD&CONTROL, 230V 50 HZ	x			

REVISIONS	DATE	CHG. NO.	REV								
					USED ON OPTION/MODEL	DRN. FERGUSON	DATE 10/17/72	TITLE RK8-E DISK & CONTROL			
					PDP8E	CHK'D. FERGUSON	DATE 10/17/72				
					PDP8F	PROJ ENG.	DATE 10/18/72				
					PDP8M	PRCD. <i>R.K. Johnson</i>	DATE 10/18/72				
				FIELD SERV.		DATE 10/18/72	SIZE	CODE	NUMBER	REV	
				SHEET 1 OF 3		DIST		B	DD	RK8-Ø	



TITLE	SHEET	SIZE	CODE	NUMBER	REV
RK8-E DISK & CONTROL	2 OF 3	B	DD	RK8-Ø	

CUSTOMER PRINT SET				MECHANICAL/ELECTRICAL					CUSTOMER PRINT SET				MECHANICAL/ELECTRICAL							
			MFG. SET	FIND NO.	DRAWING NO.	REV	NO OF SHT	DESCRIPTION	OPTION NO./FILE DATE				MFG. SET	FIND NO.	DRAWING NO.	REV	NO OF SHT	DESCRIPTION	OPTION NO./FILE DATE	
x				1	A-PL-RK8- β - β		1	RK8-E DISK & CONTROL		x				7	D-AD-7009026-0-0		2	CONTROL CABLE ASSY,		
X				2	B-DD-RK \emptyset 5- β	B	5	DEC PACK ASSY		x				8	D-CS-M993- β -1	*	2	RK8-E CONTROL CABLE MODULE		
															K-CO-M993- β -4		1	X-Y COORDINATE HOLE LOCATION		
															D-AH-M993- β -5		1	ASSY/DRILLING HOLE LAYOUT		
															B-MH-M993- β -6		1	MODULE ECO HISTORY		
x				3	D-UA-RK8-E- β		1	DISK CONTROL												
x					D-FD-RK8-E-1		4	FLOW DIAGRAM RK8-E												
x					D-TD-RK8-E-2		1	MAJOR STATES & TIMING FLOW												
x					A-AL-RK8-E-3		1	ACCESSORY SHIPPING LIST												
					A-SP-RK8-E-4		3	MODULE TEST & ACCEPTANCE FOR RK8-E		x				9	B-UA-H851- β - β	A	1	H851 EDGE CONNECTOR		
					A-SP-RK8-E-5		39	RK8E DISK CONTROL							A-PL-H851- β - β	A	1	H851 EDGE CONNECTOR		
x					A-SP-RK8-E-6		5	FIELD INSTALL & ACCEPT. PROC.							B-CS-H851- β -1	A		EDGE CONNECTOR H851		
					A-SP-RK8-E-7		5	IN-HOUSE ACCEPT. PROC.							C-AH-H851- β -5	A	1	ASSY/DRILLING HOLE LAYOUT		
															B-MH-H851- β -6		1	MODULE ECO HISTORY		
x				4	D-CS-M71 \emptyset 4- β -1	A	7	DATA BUFFER & STATUS												
					K-CO-M71 \emptyset 4- β -4		1	X-Y COORDINATE HOLE LOCATION						10	D-IA-5008903-0-0	A	1	ETCH BOARD (H851)		
					D-AH-M71 \emptyset 4- β -5		1	ASSY/DRILLING HOLE LAYOUT							C-AH-5008903-0-5		1	ASSY/DRILLING HOLE LOCATION		
					B-MH-M71 \emptyset 4- β -6		1	MODULE ECO HISTORY												
x				5	D-CS-M71 \emptyset 5- β -1	A	5	MAJOR REGISTERS												
					K-CO-M71 \emptyset 5- β -4		1	X-Y COORDINATE HOLE LOCATION												
					D-AH-M71 \emptyset 5- β -5		1	ASSY DRILLING HOLE LAYOUT												
					B-MH-M71 \emptyset 5- β -6		1	MODULE ECO HISTORY												
x				6	D-CS-M71 \emptyset 6- β -1	A	6	CONTROL RK8-E												
					K-CO-M71 \emptyset 6- β -4		1	X-Y COORDINATE HOLE LOCATION												
					D-AH-M71 \emptyset 6- β -5		1	ASSY/DRILLING HOLE LAYOUT												
					B-MH-M71 \emptyset 6- β -6		1	MODULE ECO HISTORY												

CUSTOMER PRINT SET CODES
X = PRINT OF DOCUMENT INCLUDED IN PRINT SET
C = INCLUDES ALL PRINTS INDICATED ON DOCUMENT
S = CONFIDENTIAL AUTHORIZED SIGNATURE REQUIRED

TITLE
RK8-E DISK & CONTROL
SHEET 3 OF 3
SIZE CODE
B DD
NUMBER
RK8- \emptyset
REV

This drawing and specifications, herein, are the property of Digital Equipment Corporation and shall not be reproduced or copied or used in whole or in part as the basis for the manufacture or sale of items without written permission.

DIGITAL EQUIPMENT CORPORATION
MAYNARD, MASSACHUSETTS

DATE 10-12-72

TITLE RK8E FIELD INSTALLATION AND ACCEPTANCE PROCEDURE

REVISIONS

REV	DESCRIPTION	CHG NO	ORIG	DATE	APPD BY	DATE

ENG <i>R. J. ...</i>	DATE 10-12-72	APPD <i>[Signature]</i>	SIZE A	CODE SP	NUMBER RK8-E-6	REV
----------------------	---------------	-------------------------	---------------	---------	----------------	-----

DEC FORM NO. DRA 107A

SHEET 1 OF 5

ENGINEERING SPECIFICATION

019101

CONTINUATION SHEET

TITLE RK8E FIELD INSTALLATION AND ACCEPTANCE PROCEDURE

- 1.0 SHIPPING HARDWARE
 - 1.1 RK8E Control
 - 1.1.1 M7104
 - 1.1.2 M7105
 - 1.1.3 M7106
 - 1.2 RK05 Disk Drive (Maximum of 4 drives per control)
 - 1.2.1 95 to 130VAC @ 60 ± 0.5 Hz - RK05-AA
 - 1.2.2 190 to 260VAC @ 60 ± 0.5 Hz - RK05-AB
 - 1.2.3 95 to 130 VAC @ 50 ± 0.5 Hz - RK05-BA
 - 1.2.4 190 to 260 VAC @ 50 ± 0.5 Hz - RK05-BB
 - 1.3 Interface Cables and Terminator
 - 1.3.1 Interface cable between RK8E control and RK05 - 7009026
 - 1.3.2 Interface cable from one RK05 to another. BC11A
 - 1.3.3 Terminator Module (last RK05) M930
 - 1.4 (1) Disk Cartridge, HD16 Sector, 30-10350-02.
- 2.0 SHIPPING SOFTWARE
 - 2.1 RK8E Diskless Control Test
 - Maindec-08-DHRKA-A-PB
 - Maindec-08-DHRKA-A-D
 - 2.2 RK8E Drive Control Test
 - Maindec-08-DHRKB-A-PB
 - Maindec-08-DHRKB-A-D
 - 2.3 RK8E Formatter Program
 - Maindec-08-DHRKD-A-PB
 - Maindec-08-DHRKD-A-D
 - 2.4 RK8E Data Reliability Program
 - Maindec-08-DHRKC-A-PB
 - Maindec-08-DHRKC-A-D

SIZE A	CODE SP	NUMBER RK8-E-6	REV
---------------	---------	----------------	-----

DEC FORM NO 16-1022
DRA 108

SHEET 2 OF 5

TITLE RK8E FIELD INSTALLATION AND ACCEPTANCE PROCEDURE

3.0 UNPACKING AND INSTALLATION

- 3.1 Unpack and inspect RK05 using the procedure in the RK05 Disk Drive Maintenance Manual, Chapter 2.
- 3.2 Using the Shipping Hardware and Software lists, verify that all items are present.
- 3.3 Insure power on the PDP-8E, 8M, 8F is turned off.
- 3.4 Check the M7104 to insure that the device code jumpers are in the correct configuration (normally 674X), refer to Table 1.

NOTE: The diagnostic programs normally recongnizes Program Device Code 674X. If it desired to operate with a different code, refer to the Diagnostic Document's Section headed "Change Program Device Codes".

TABLE 1

<u>Octal Code</u>	<u>Jumpers Installed</u>
674X	W2 W4 W6
675X	W2 W3 W4
676X	W1 W2 W6
677X	W1 W2 W3

- 3.5 Check M7105 module to insure that the priority jumpers are in the correct configuration, refer to Table 2.

SIZE	CODE	NUMBER	REV
A	SP	RK8-E-6	

SHEET 3 OF 5

TITLE RK8E FIELD INSTALLATION AND ACCEPTANCE PROCEDURE

3.0 UNPACKING AND INSTALLATION (continued)

TABLE 2

<u>Break Priority</u>	<u>Jumpers Installed</u>
∅	W1 W4
1*	W2 W3 W5

*Normally shipped with priority 1 jumpers installed.

- 3.6 Connect the 7009026 cable to the Berg connector on the M7106 module.
- 3.7 Insert the RK8E modules into the Omnibus (refer to UA-RK8-E-∅). Refer to Table 2-3 in Volume I of the PDP-8E Maintenance Manual for installation priorities.
- 3.8 Install H851 top connectors between the modules (refer to UA-RK8-E-∅).
- 3.9 Following the procedure in the RK05 Maintenance Manual, Chapter 2, install the RK05.

4.0 ACCEPTANCE

- 4.1 Requirements for Acceptance
- ASR33 teletype, or equivalent.
 - Programmers console.
 - At least 4K of Read/Write Memory.
- 4.2 Run, in order, the programs listed in the "Shipping Software", using the loading and operating procedures in each program's document. If any errors occur, refer to the errors section of the document to evaluate the printout, and Chapter 5 of the RK8E Maintenance Manual for aids in determining the problem.

SIZE	CODE	NUMBER	REV
A	SP	RK8-E-6	

SHEET 4 OF 5

TITLE

RK8E FIELD INSTALLATION AND ACCEPTANCE PROCEDURE

4.0 ACCEPTANCE (continued)

4.3 Each program should be run the following amount of passes.

- A. Diskless Control Test - Two Passes
- B. Drive Control Test - Two Passes
- C. Formatter Program - One Pass
- D. Data Reliability Program - One Pass

4.4 Acceptable Errors

- A. One read error during the Acceptance Procedure

SIZE	CODE	NUMBER	REV
A	SP	RK8-E-6	

DIGITAL EQUIPMENT CORPORATION
MAYNARD, MASSACHUSETTS
PARTS LIST

MADE BY D. KANEY	CHECKED FERGUSON	SECTION
DATE 8/22/72	DATE 9/20/72	1
ENG <i>[Signature]</i>	PROD <i>R. K. [Signature]</i>	ISSUED SECT.
DATE 10/18/72	DATE 10-19-72	1

QUANTITY / VARIATION

ITEM NO.	DWG NO. / PART NO.	DESCRIPTION	QUANTITY / VARIATION															
			RK8-EA	RK8-EB	RK8-EC	RK8-ED												
1	D-UA-RK05-AA-0	DEC PACK DISK DRIVE 115 VAC 60 HZ	1	-	-	-												
2	D-UA-RK05-AB-0	DEC PACK DISK DRIVE 115 VAC 50 HZ	-	-	1	-												
3	D-UA-RK05-BA-0	DEC PACK DISK DRIVE 230 VAC 60 HZ	-	1	-	-												
4	D-UA-RK05-BB-0	DEC PACK DISK DRIVE 230 VAC 50 HZ	-	-	-	1												
5	D-UA-RK8-E-0	DISK CONTROL	1	1	1	1												

TITLE	ASSY NO.	SIZE CODE	NUMBER	REV.	ECO NO.
DISK & RK8-E CONTROL	<i>+/+</i>	A PL	RK8-0-0		
	SHEET 1 OF 1	DIST. 6			

DEC FORM DEC 16-(325)-1031-N870
DRA 110

DIGITAL EQUIPMENT CORPORATION
MAYNARD, MASSACHUSETTS

ACCESSORY LIST

LEGEND

- D DOCUMENT
- DN DOCUMENT CHANGE NOTICE
- PA PAPER TAPE ASCII
- PB PAPER TAPE BINARY
- PM PAPER TAPE READ-IN-MODE

QUANTITY/VARIATION

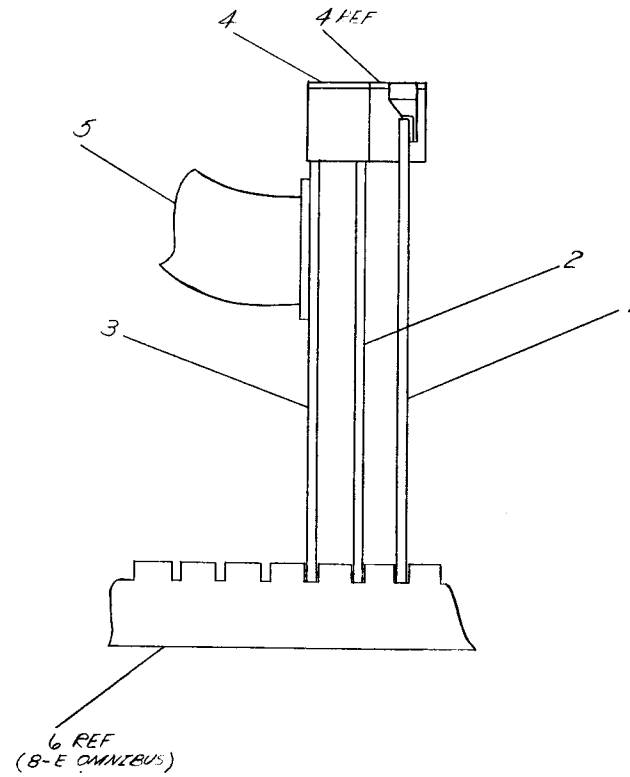
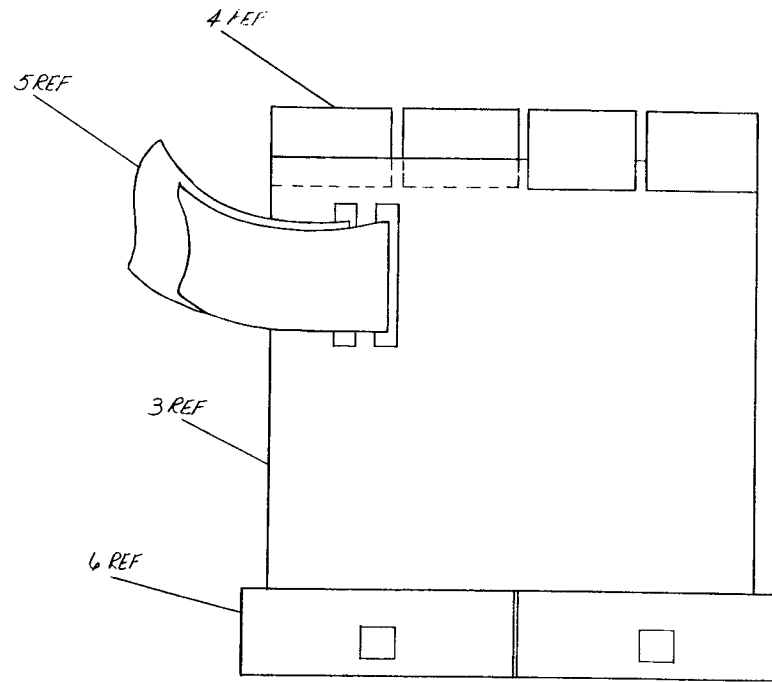
MADE BY D. KANEY	CHECKED FERGUSON	SECTION
DATE 8/22/72	DATE 9/20/72	I
ENG <i>John</i>	PROD <i>R.K. Allen</i>	ISSUED SECT.
DATE 10/18/72	DATE 10-12-72	I

ITEM NO.	DWG NO. / PART NO.	DESCRIPTION	RK8-E	RK8-EA	RK8-EB	RK8-EC	RK8-ED	KIT CHECK	BY	DATE	INSTALLATION CHECK	BY	DATE
1	B-DD-RK8-Ø	PRINT SET	1	1	1	-	-						
2	LIBKIT RK8-E	SOFTWARE KIT	1	1	1	-	-						
3	DEC-8E-HR38-D-RK8-E	MAINTENANCE MANUAL *	1	1	1	1	1						
		* UNTIL MAINTENANCE MANUAL BECOMES AVAILABLE SHIP ENGINEERING SPECS (A-SP-RK8-E-3)											

TITLE ACCESSORY SHIPPING LIST RK8-E	ASSY. NO. <i>---</i>	SIZE	CODE	NUMBER	REV.	ECO NO
	SHEET 1 OF 1	A	AL	RK8-E-3		
		DIST.				

This drawing and specifications, herein, are the property of Digital Equipment Corporation and shall not be reproduced or copied or used in whole or in part as the basis for the manufacture or sale of items without written permission.

43V 1-1-EX-100 2

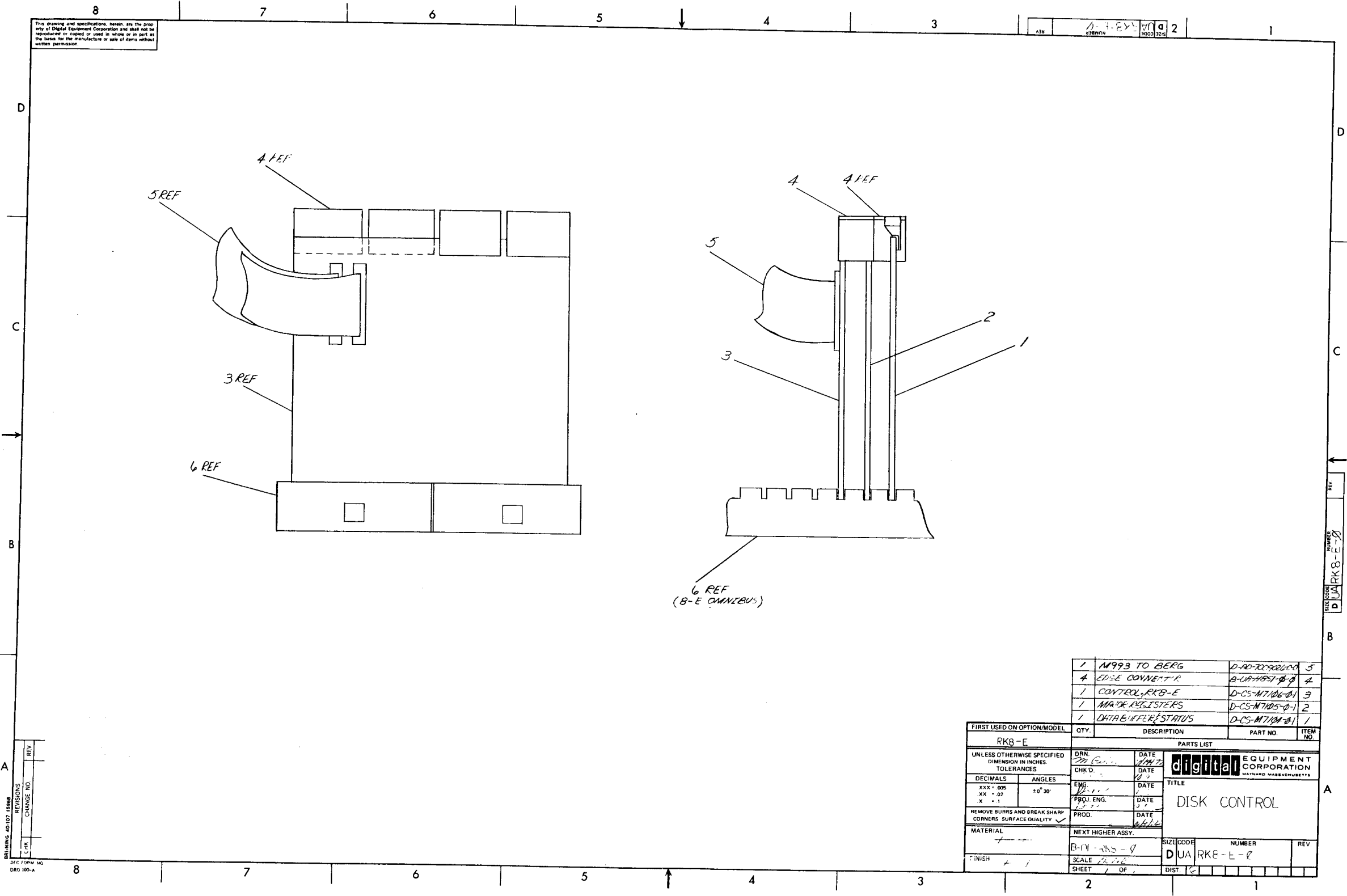


QTY.	DESCRIPTION	PART NO.	ITEM NO.
1	W993 TO BERG	D-AD-707926-000	5
4	EDGE CONNECTOR	B-UP-H181-B-0	4
1	CONTROL, RKB-E	D-CS-M7106-01	3
1	MARK REGISTERS	D-CS-M7105-0-1	2
1	DATA BUFFER STATUS	D-CS-M7104-01	1

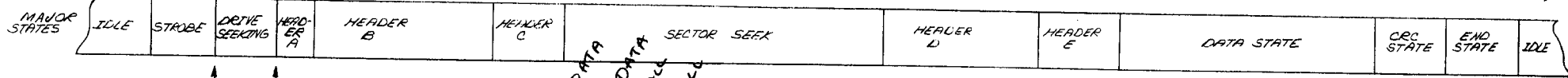
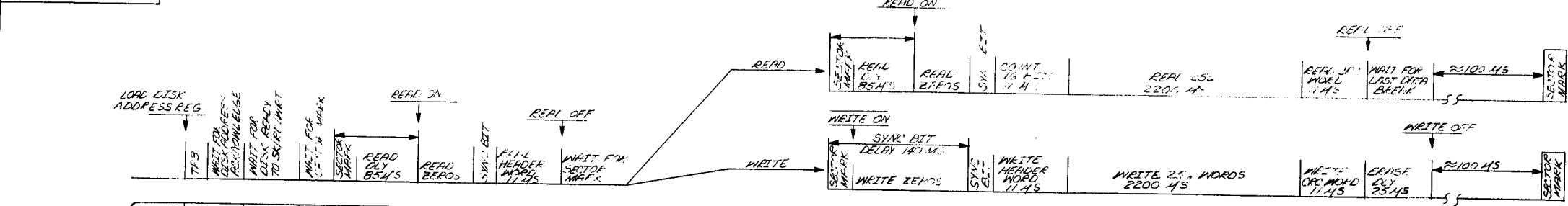
FIRST USED ON OPTION/MODEL		QTY.		DESCRIPTION		PART NO.		ITEM NO.	
RKB-E									
PARTS LIST									
UNLESS OTHERWISE SPECIFIED DIMENSION IN INCHES		DRN	DATE	 digital EQUIPMENT CORPORATION <small>MAINTON MASSACHUSETTS</small>					
TOLERANCES		CHK'D	DATE						
DECIMALS	ANGLES	ENG.	DATE						
xxx + .005	±0° 30'	PROJ. ENG.	DATE						
xx + .02		PROD.	DATE	DISK CONTROL					
x + .1									
REMOVE BURRS AND BREAK SHARP CORNERS SURFACE QUALITY ✓									
MATERIAL		NEXT HIGHER ASSY.							
FINISH		B-DI-RKS-0		SIZE CODE	NUMBER	REV			
		SCALE		DUA RKB-E-0					
		SHEET		1 OF					

REVISIONS
 CHANGE NO. REV.
 CHK.

SIZE CODE
 NUMBER
 DUA RKB-E-0



This drawing and specifications herein, are the property of Digital Equipment Corporation and shall not be reproduced or copied or used in whole or in part as the basis for the manufacture or sale of items without written permission.



IF "SEEK ONLY" GO TO IDLE AND SET DONE FLAG.
IF NOT A HEADER CHECK, GO TO SECTOR SEEK STATE.

MAJOR STATE	FUNCTION	SEEK	SK/CHK/RO	SK/CHK/WRT	SK/RO	SK/WRT
IDLE	CONTROL IS NOT BUSY. WHEN THE GO COMMAND (DAS) IS ISSUED THE C (AC) IS LOADED INTO THE CRC* AND SECTOR-SURFACE REGISTERS (DISK ADDRESS)	✓	✓	✓	✓	✓
STROBE	STROBE THE CYLINDER ADDRESS FROM THE C REGISTER TO THE DRIVE AND WAIT FOR THE DRIVE'S "ADDRESS ACKNOWLEDGE" SIGNAL.	✓	✓	✓	✓	✓
DRIVE SEEKING	WAIT FOR THE "DISK READY TO SEEK/READ/WRITE" LEVEL FROM THE DRIVE TO SIGNIFY THAT THE HEADS ARE POSITIONED OVER THE CYLINDER ADDRESS.	✓	✓	✓	✓	✓
HEADER A	WAIT FOR THE FIRST SECTOR MARK, THEN START THE READ DELAY.	✓	✓			
HEADER B	AT THE END OF THE READ DELAY TURN THE READ FLOP ON. ZEROS WILL BE READ UNTIL THE SYNC BIT WHICH SIGNIFYS THE BEGINNING OF A SECTOR'S DATA.	✓	✓			
HEADER C	READ THE 16 BIT HEADER WORD AND COMPARE IT WITH THE CYLINDER ADDRESS IN THE CRC REGISTER.	✓	✓			
SECTOR SEEK	IF THE HEADER WORD DOES NOT EQUAL THE CYLINDER ADDRESS SET THE "CYLINDER ADDRESS ERROR" AND GO TO THE IDLE STATE. AT EACH SECTOR MARK COMPARE THE SECTOR ADDRESS WITH THE DISK SECTOR ADDRESS LINES, IF EQUAL GO TO THE NEXT STATE.	✓	✓	✓	✓	
HEADER D	AT THE BEGINNING OF THE SECTOR START THE "READ DELAY". AT THE END OF THE "READ DELAY" SET "READ." ZEROS WILL BE READ UNTIL THE SYNC BIT.	✓	✓			

MAJOR STATE	FUNCTION	SEEK	SK/CHK/RO	SK/CHK/WRT	SK/RO	SK/WRT
HEADER E	COUNT AND IGNORE THE FIRST 16 BITS. WRITE THE HEADER WORD SPECIFIED BY THE CRC REGISTER.	✓		✓		✓
DATA STATE	READ 25L-12 BIT WORDS FROM THE DISK INTO THE DATA BUFFER AND COMPUTE THE CRC. TRANSFER 12 BIT WORD FROM DATA BUFFER TO THE PROCESSOR. THE CONTROL WILL TRY TO KEEP DATA BUFFER EMPTY VIA DATA BREAKS. WRITE ON THE DISK 25L-12 BIT WORDS TRANSFERED FROM THE PROCESSOR TO THE DATA BUFFER, TRYING TO KEEP DATA BUFFER FULL VIA DATA BREAKS. COMPUTE CRC.	✓		✓		✓
CRC STATE	READ AND COMPARE THE CRC WORD WITH THE COMPUTED CRC. WRITE THE COMPUTED CRC ON THE DISK.	✓		✓		✓
END STATE	IF THE CRC FROM THE DISK DOES NOT EQUAL THE COMPUTED CRC, SET THE "CRC ERROR" CLEAR READ. WHEN THE DATA BUFFERS ARE EMPTIED INTO THE PROCESSOR SET THE DONE FLAG AND GO TO THE IDLE STATE. START THE ERASE DELAY AND WRITE ZEROS. AT THE END OF THE ERASE DELAY CLEAR WRITE, SET THE DONE FLAG AND GO TO THE IDLE STATE.	✓		✓		✓

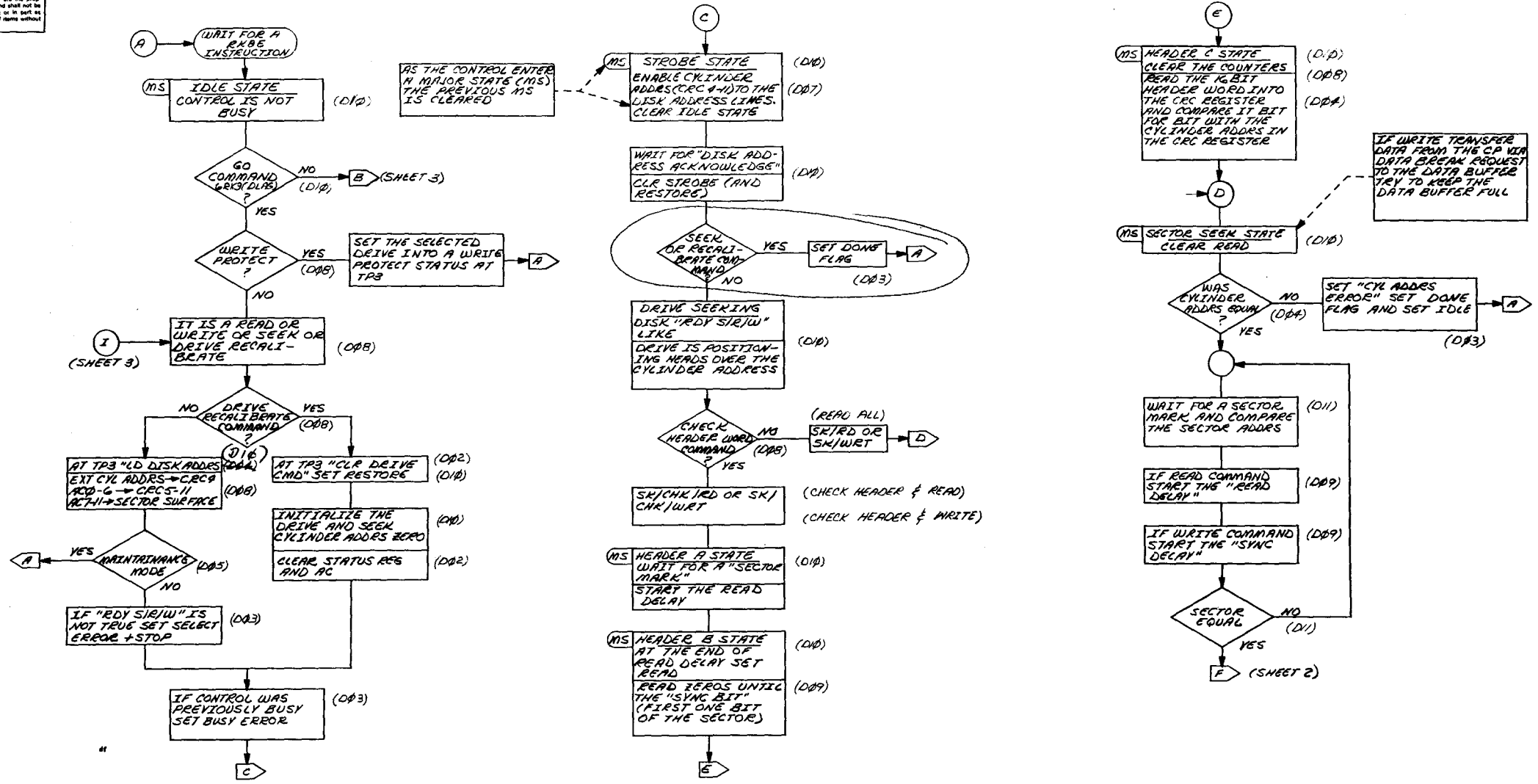
$CRC = \frac{3702 \text{ bits}}{x^{14} + x^{15} + 1}$

14 Bit Header Word 5 ϕ 's, 8 bit Cyl. Add, 3 ϕ 's
16 bits

REVISIONS
CHANGE NO.
REV.

FIRST USED ON OPTION/MODEL	QTY.	DESCRIPTION	PART NO.	ITEM NO.
RK8-E				
PARTS LIST				
UNLESS OTHERWISE SPECIFIED DIMENSION IN INCHES TOLERANCES		DRN M. Pinner	DATE 7/27/72	DIGITAL EQUIPMENT CORPORATION MAYNARD MASSACHUSETTS
DECIMALS XXX + .005 XX + .01 X + .1	ANGLES 1.0° 30'	CHK'D. D. Pinner	DATE 8/1/72	
MATERIAL		ENG. D. Pinner	DATE 8/1/72	TITLE MAJOR STATES TIMING & FLOW
FINISH		PROJ. ENG. D. Pinner	DATE 8/1/72	SIZE CODE E-11-RK8-0
NEXT HIGHER ASSY.		PROD.	DATE	NUMBER D T D RK8-E-2
SCALE		SHEET 1 OF 1		REV.
DIST.				

This drawing and specifications, herein are the property of Digital Equipment Corporation and shall not be reproduced or copied or used in whole or in part as the basis for the manufacture or sale of items without written permission.

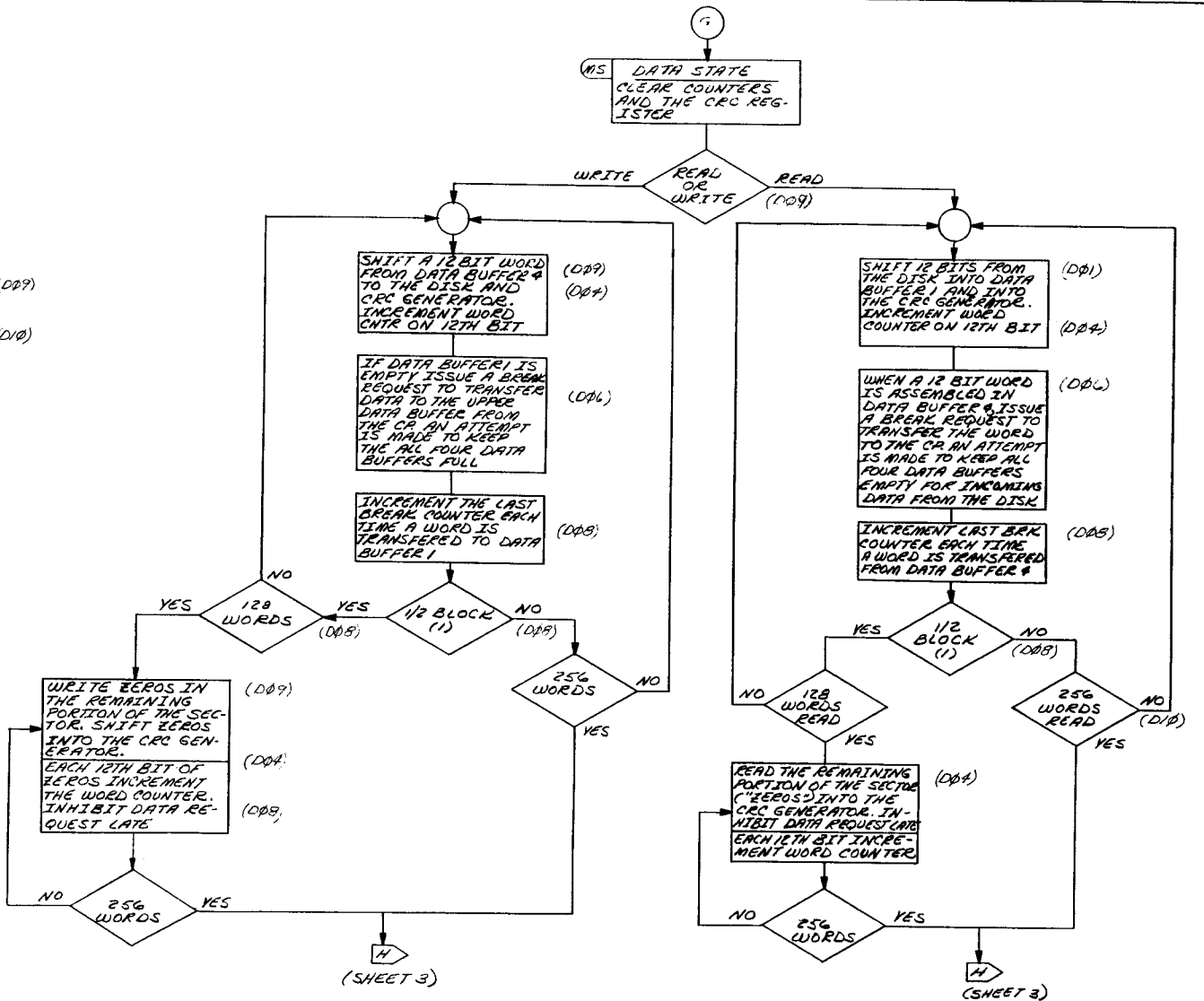
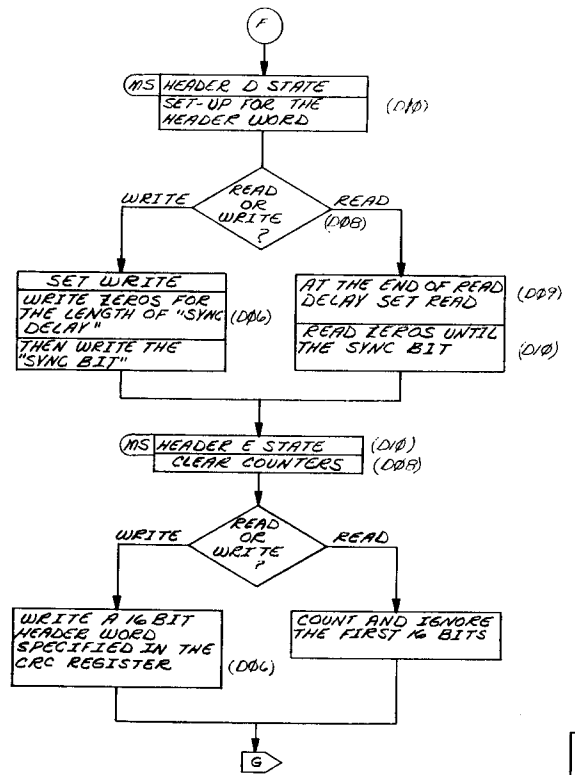


BRUNING 40-522 15840
 DEC FORM NO DRD 102-B
 REVISIONS
 1001 R/R/S X01
 1001 R/R/S X01

FIRST USED ON OPTION/MODEL	QTY.	DESCRIPTION	PART NO.	ITEM NO.
RKB-E				
PARTS LIST				
UNLESS OTHERWISE SPECIFIED DIMENSION IN INCHES TOLERANCES	DRN <i>advent</i>	DATE 7/24/72	digital EQUIPMENT CORPORATION MULTIPLY MASSACHUSETTS	
DECIMALS ANGLES	CHKD <i>12/10</i>	DATE 12/22/72		
XXX - .006 XX - .02 X - .1	20° 30'	ENG <i>[Signature]</i>	DATE 10/17/72	TITLE
REMOVE BURRS AND BREAK SHARP CORNERS SURFACE QUALITY	PROJ. ENG. <i>[Signature]</i>	DATE 10/17/72	DATE 10/17/72	FLOW DIAGRAM (RKB-E)
MATERIAL	NEXT HIGHER ASSY.	PROD. <i>[Signature]</i>	DATE 10/17/72	
FINISH	F I D - R K B - E	SCALE	SIZE CODE	NUMBER
	++	++	D F D R K B - E - 1	REV.
		SHEET 1 OF 4	DIST.	

DRAWING NUMBER DFD RKB-E-1

This drawing and specifications, herein, are the property of Digital Equipment Corporation and shall not be reproduced or copied in whole or in part as the basis for the manufacture or sale of items without written permission.

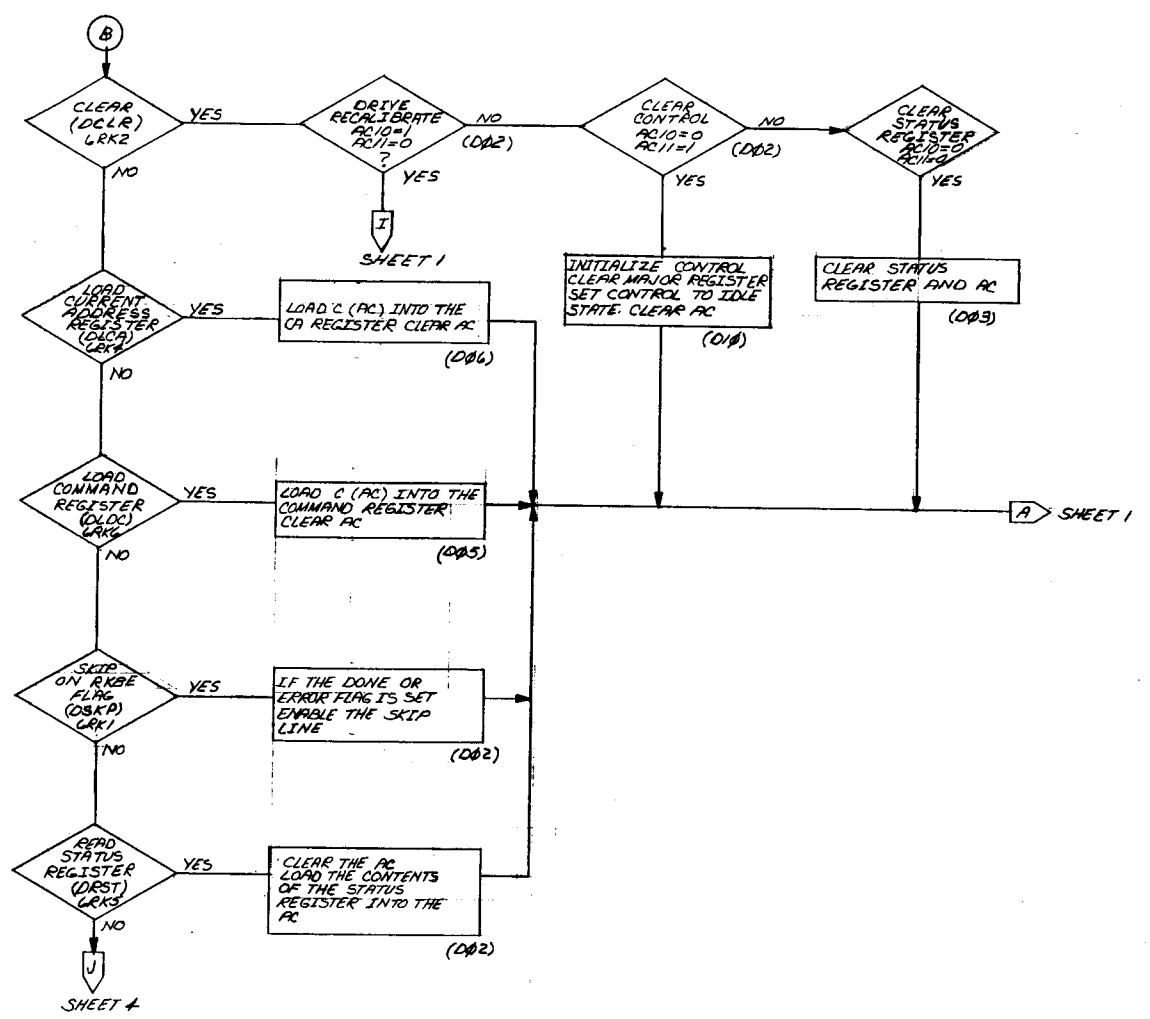
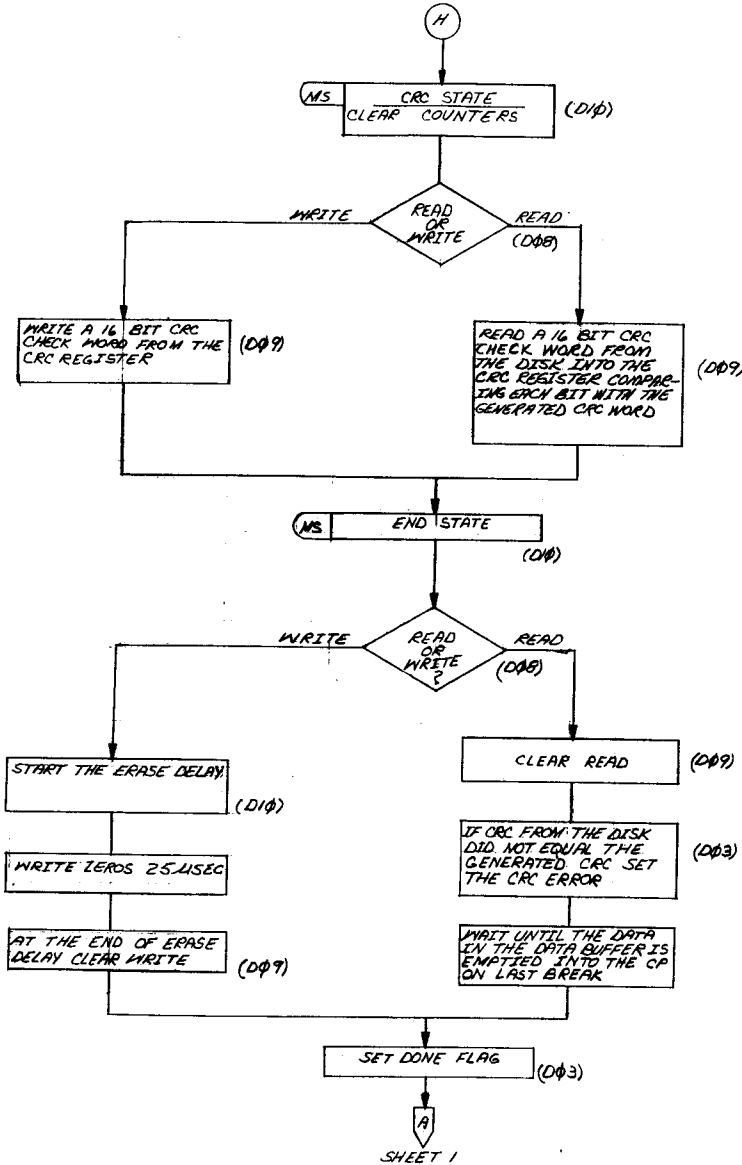


REV	CHANGE NO	DATE

FIRST USED ON OPTION/MODEL RK-E-L	QTY.	DESCRIPTION	PART NO.	ITEM NO.
PARTS LIST				
UNLESS OTHERWISE SPECIFIED DIMENSION IN INCHES	DRN	DATE	digital EQUIPMENT CORPORATION MAYNARD MASSACHUSETTS	
TOLERANCES	CHK'D	DATE	TITLE FLOW DIAGRAM (RK-E)	
DECIMALS ANGLES	ENG	DATE	SIZE CODE NUMBER	
.XXX - .005 10' 30'	PROJ. ENG	DATE	D.F. RK-E-1	
.XX - .02	PROD.	DATE	REV.	
.X - .1	MATERIAL NEXT HIGHER ASSY.			
REMOVE BURRS AND BREAK SHARP CORNERS SURFACE QUALITY	FINISH			
SCALE		SHEET 2 OF 4		
DIST.		SHEET 2 OF 4		

This drawing and specifications, herein, are the property of Digital Equipment Corporation and shall not be reproduced or copied or used in whole or in part as the basis for the manufacture or sale of items without written permission.

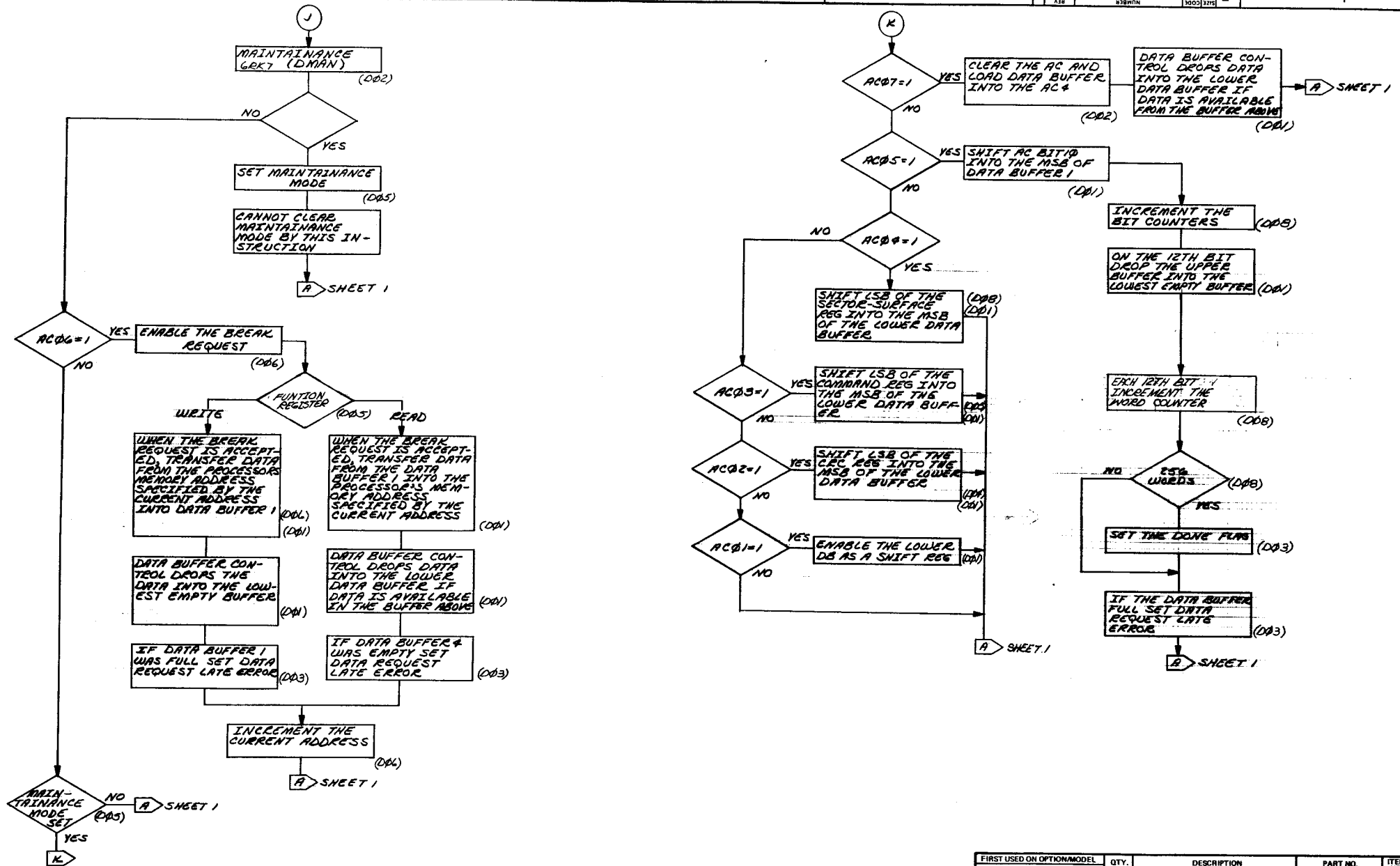
1-3-8X8



BRUNING 40-352 15840
 DEC FORM NO DRD 107-B
 REVISIONS
 CHANGE NO. 10X 3/2/72
 REV. 1/87

FIRST USED ON OPTION/MODEL	QTY.	DESCRIPTION	PART NO.	ITEM NO.
RK8-E		PARTS LIST		
UNLESS OTHERWISE SPECIFIED DIMENSION IN INCHES TOLERANCES	DRN. <i>M. Rowe</i>	DATE <i>6/22/72</i>	digital EQUIPMENT CORPORATION MAYNARD MASSACHUSETTS	
DECIMALS ANGLES	CHK'D <i>TS-Cover</i>	DATE <i>8/9/72</i>		
XXX + .005 XX - .02 X = .1	ENG. <i>W. Jones</i>	DATE <i>10/17/71</i>	TITLE	
REMOVE BURRS AND BREAK SHARP CORNERS SURFACE QUALITY	PROJ. ENG. <i>W. Jones</i>	DATE <i>11/16/71</i>	FLOW DIAGRAM (RK8-E)	
MATERIAL	DRD. <i>W. Jones</i>	DATE <i>10/22/71</i>	REV.	
FINISH	NEXT HIGHER ASSY.		SIZE CODE	NUMBER
	B-DD-RK8-0		D	FD RK8-E-1
	SCALE			
	SHEET 3 OF 4			

The drawing and specifications herein are the property of Digital Equipment Corporation and shall not be reproduced or copied or used in whole or in part as the basis for the manufacture or sale of items without written permission.

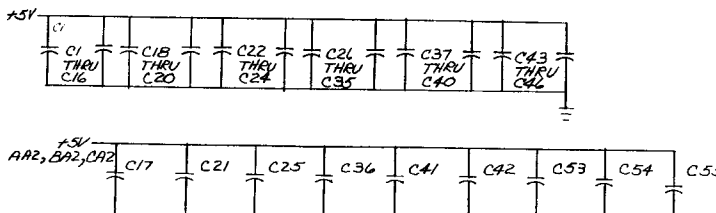
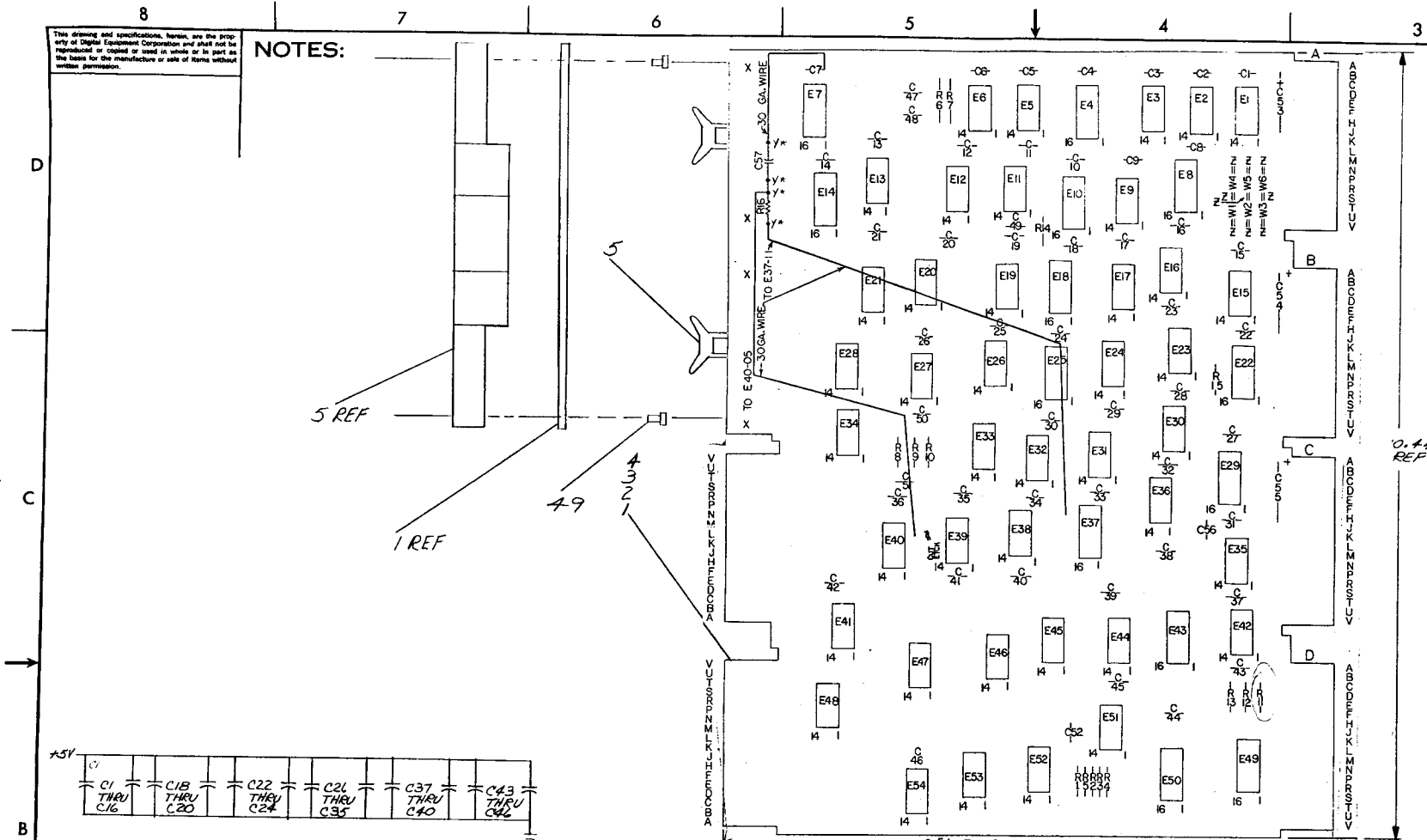


REV. NO. 1
 CHANGE NO. 10000000
 C-K
 DEC FORM NO. DDD 102-B

FIRST USED ON OPTION/MODEL	QTY.	DESCRIPTION	PART NO.	ITEM NO.
RK8-E				
UNLESS OTHERWISE SPECIFIED DIMENSION IN INCHES TOLERANCES				
DECIMALS	ANGLES	TITLE		
.XXX - .006	± 0° 30'	digital EQUIPMENT CORPORATION MAYFIELD MASSACHUSETTS		
.XX - .02		FLOW DIAGRAM (RK8-E)		
X - .1				
REMOVE BURRS AND BREAK SHARP CORNERS SURFACE QUALITY				
MATERIAL				
NEXT HIGHER ASSY.				
FINISH		SCALE		SHEET
++		++		4 OF 4
		B-DD-RK8-0		D
		SIZE CODE		NUMBER
		FD		RK8-E-1
		DIST.		

This drawing and specifications, herein, are the property of Digital Equipment Corporation and shall not be reproduced or copied in whole or in part as the basis for the manufacture or sale of items without written permission.

NOTES:



AC2, AF1, AN1, AT1, AF2, AN2, AT2, BC1, BF1, BN1, BT1, BC2, BF2, BN2, BT2, CC1, CF1, CN1, CT1, CC2, CF2, CN2, CT2, DC1, DF1, DN1, DT1, DC2, DF2, DN2, DT2.

1	E43	I.C. DEC 74193	1910018	42
4	E8, E22, E29, E49	I.C. DEC 8235	1909935	41
1	E21	I.C. DEC 74H04	1909931	40
1	E36	I.C. DEC 8881	1909705	39
1	E1	I.C. DEC 314	190974	38
4	E16, E23, E27, E31	I.C. DEC 7404	1909486	37
1	E38	I.C. DEC 74H74	1909667	36
1	E37	I.C. DEC 8251B	1909594	35
1	E30	I.C. DEC 384	1909486	34
4	E2, E15, E35, E42	I.C. DEC 380	1909885	33
2	E4, E26	I.C. DEC 74H53	1909062	32
1	E20	I.C. DEC 74H00	1909056	31
6	E3, E5, E9, E17, E29, E32	I.C. DEC 7495	1909055	30
6	E13, E19, E28, E39, E51, E59	I.C. DEC 7402	1909004	29
1	E12	I.C. DEC 7413	1905587	28
1	E14	I.C. DEC 7476	1905585	27
2	E4, E44	I.C. DEC 7440	1905579	26
1	E47	I.C. DEC 7410	1905576	25
3	E45, E46, E54	I.C. DEC 7400	1905575	24
2	E39, E52	I.C. DEC 7474	1905547	23
2	R6, E7	RES., 511K, 1/8W, 1%, MF	1304854	22
2	R2, R3	RES., 100, 1/4W, 5%, C.C.	1301322	21
2	R12, R13	RES., 47K, 1/4W, 5%, C.C.	1300447	20
1	R9	RES., 2.2K, 1/4W, 5%, C.C.	1300417	19
1	R11	RES., 1.8K, 1/4W, 5%, C.C.	1300398	18
2	R1, R4	RES., 390, 1/4W, 5%, C.C.	1300309	17
6	R5, R8, R10, R14, R15, R16	RES., 100, 1/4W, 5%, C.C.	1300229	16
2		SPACER (CABLE CLAMP)	1202704	15
10	C1 THRU C16, C18 THRU C23, C22 THRU C28, C24 THRU C25, C37 THRU C40, C43 THRU C46	CAP., 0.1uF, 100V, 20%, DISC	1001610	14
3	C53 THRU C55	CAP., 0.2uF, 35V, 20%, TANT	1000067	13
2	C49, C56	CAP., 470pF, 100V, 5% DM	1000024	12
1	C51	CAP., 330pF, 100V, 5% DM	1000023	11
1	C52	CAP., 100pF, 100V, 5% DM	1000020	10
1	C50	CAP., 100pF, 100V, 5% DM	00018	9
1	C47	CAP., 39pF, 100V, 5% DM	1000010	8
1	C48	CAP., 100pF, 100V, 5% DM	1000006	7
6	C17, C21, C25, C36, C41, C42	CAP., 0.2uF, 100V, 20%, DISC	1000004	6
2		HANDLE, FLTP-CHIPS, MARGENTA	9008337-06	5
1		ETCHED CIRCUIT BOARD	5010064	4
3		MODULE ECO HISTORY	B-MH-M7104-B-3	3
2		ASSY/DRILLING HOLE LAYOUT	D-MH-M7104-B-5	2
1		X-Y COORDINATE HOLE LOCATION	K-CO-M7104-B-4	1

AR	#	30 AWG WIRE, SOLID, GREEN	9102740-55	52
4		GRIPLETS	1210244-0	51
1	C57	CAP., 1000 pF 5% DM	1000042	50
4		EVELET	9006750	49
9		SPLIT LUGS	9006735	48
4	E4, E10, E18, E25	I.C. DEC 74174	1910652	47
1	E7	I.C. DEC 74123	1910436	46
1	E50	I.C. DEC 7496	1910363	45
3	E16, E40, E44	I.C. DEC 7408	1910155	44
1	E33	I.C. DEC 7437	1910091	43

DEC	REV	DATE
DEC 7423	8	16
DEC 7474	8	16
DEC 7494	5	12
DEC 74193	8	16
DEC 8235	8	16
DEC 314	1	8
DEC 8251B	8	16
DEC 384	1	8
DEC 380	1	8
DEC 7473	4	11
DEC 7476	5	13

IC TYPE	GND	+5V
DEC 7423	8	16
DEC 7474	8	16
DEC 7494	5	12
DEC 74193	8	16
DEC 8235	8	16
DEC 314	1	8
DEC 8251B	8	16
DEC 384	1	8
DEC 380	1	8
DEC 7473	4	11
DEC 7476	5	13

GND AND 5V ARE USUALLY PIN 7 AND 14 RESPECTIVELY EXCEPTIONS ARE STATED ABOVE

IC PIN LOCATIONS

BRUNING 40522 16899
DEC FORM NO. DAD 135A

FIRST USED ON OPTION MODEL: RK8-E

ETCH BOARD REV: 8

DATE: 7/8/72

DRN: *adant*

CHKD: *R/S*

ENGR: *R/S*

PROJ. ENG: *R/S*

PROB. DATE: 10/6/72

NEXT HIGHER ASSY: 8-DD-RK8-B

SCALE: *N/A*

SHEET: 2 OF 1

digital EQUIPMENT CORPORATION
MAYNARD, MASSACHUSETTS

TITLE: DATA BUFFER & STATUS

SIZE CODE: DCSM7104-0-1

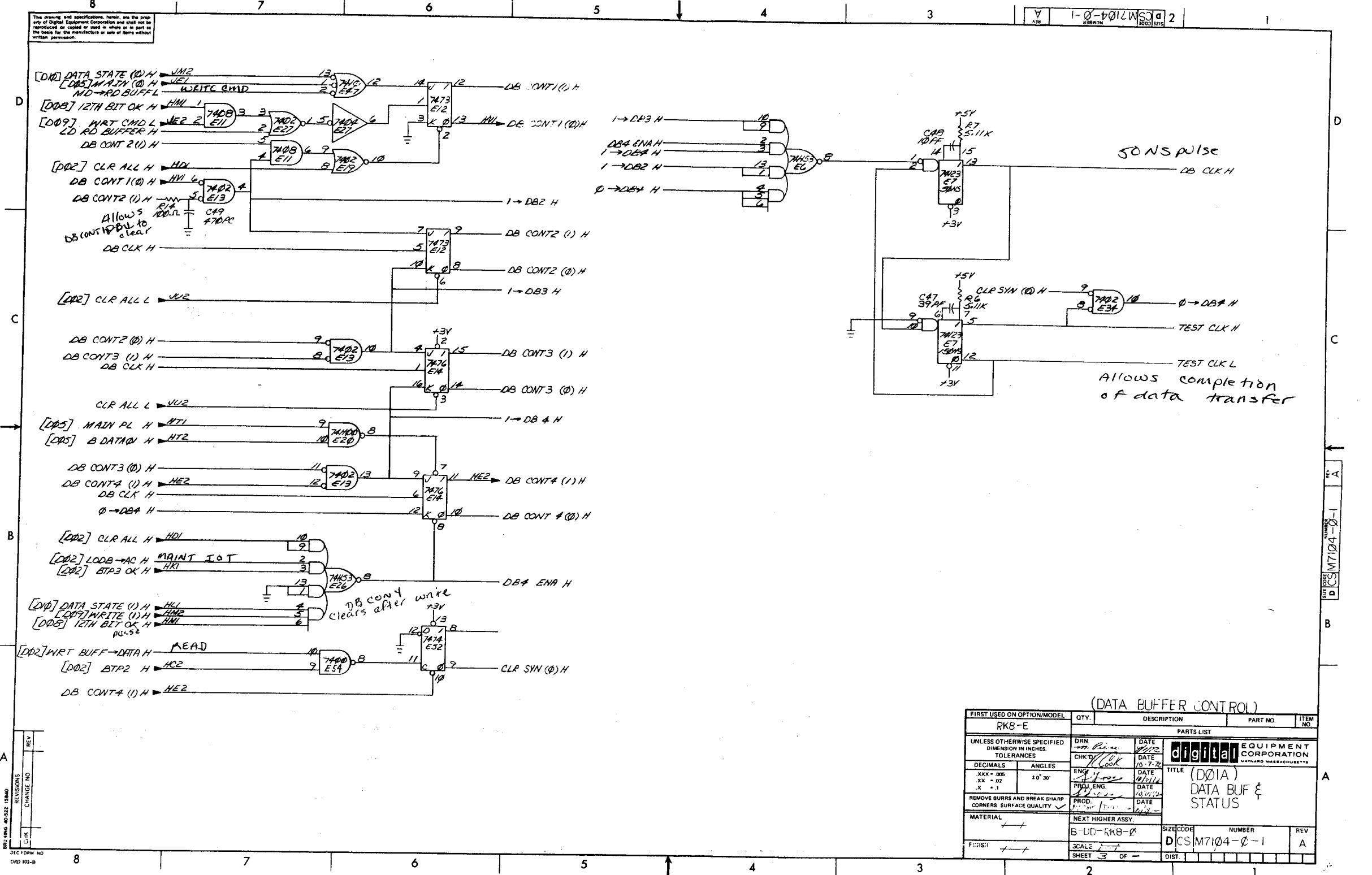
NUMBER: 1

REV. A

SEMICONDUCTOR CONVERSION CHART

REV. A
DCSM7104-0-1

This drawing and specifications, herein, are the property of Digital Equipment Corporation and shall not be reproduced or copied or used in whole or in part as the basis for the manufacture or sale of items without written permission.



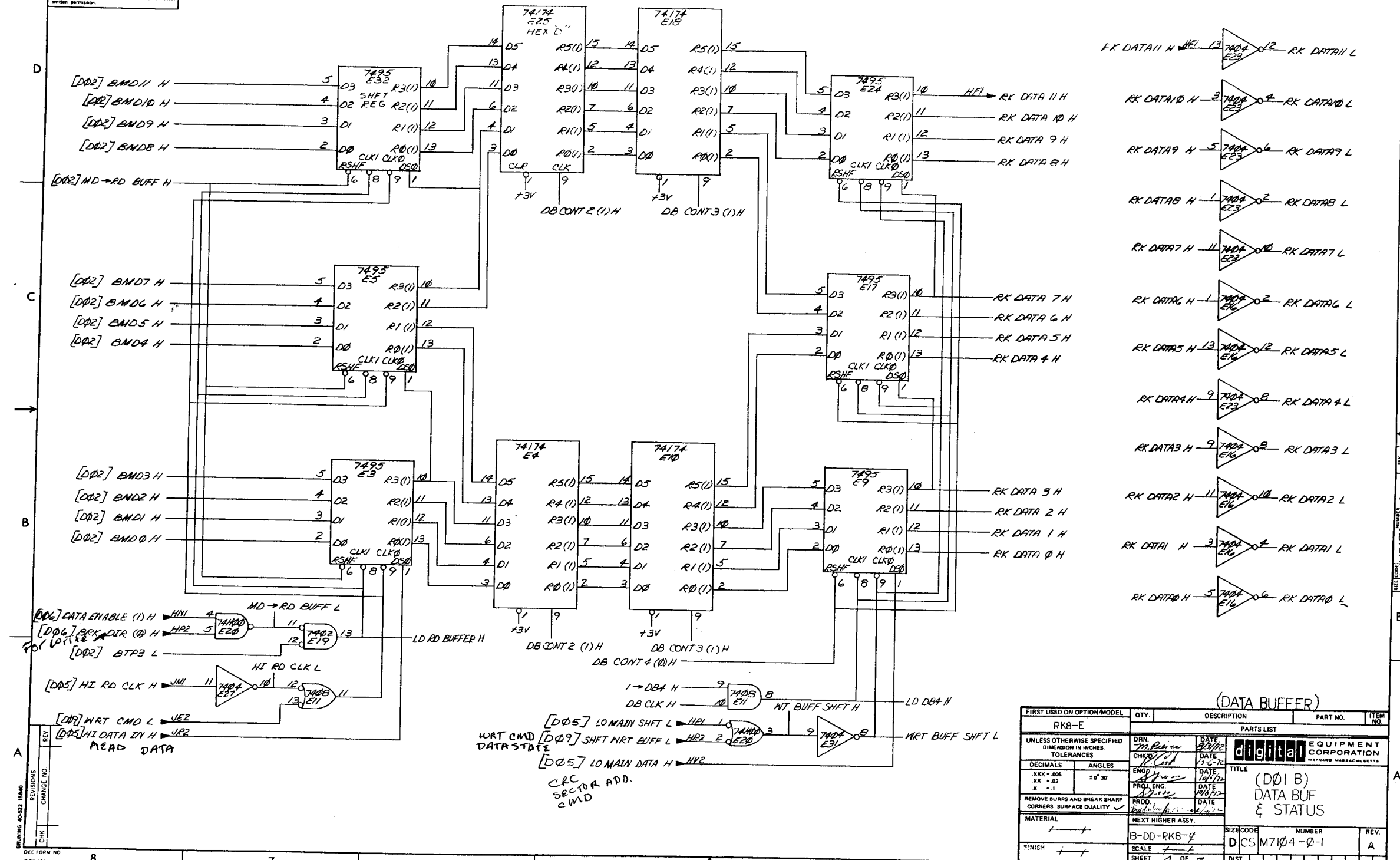
(DATA BUFFER CONTROL)

FIRST USED ON OPTION/MODEL	QTY.	DESCRIPTION	PART NO.	ITEM NO.
RKB-E				
UNLESS OTHERWISE SPECIFIED DIMENSION IN INCHES. TOLERANCES				
DECIMALS	ANGLES	DRN. <i>Pin</i>	DATE <i>11/12</i>	digital EQUIPMENT CORPORATION <small>NATURAL MASSACHUSETTS</small> TITLE (D01A) DATA BUF & STATUS DATE <i>10-7-72</i> PROJ. ENG. DATE <i>10-19-72</i> PROD. DATE <i>10-19-72</i>
XXX + .005	±0° 30'	CHK'D <i>Wok</i>	DATE <i>10-7-72</i>	
.XX + .02		ENG. <i>Wok</i>	DATE <i>10-19-72</i>	
.X + .1		PROD. <i>Wok</i>	DATE <i>10-19-72</i>	
REMOVE BURRS AND BREAK SHARP CORNERS SURFACE QUALITY ✓		NEXT HIGHER ASSY.		
MATERIAL		B-UD-RKB-0	SIZE CODE	NUMBER
FINISH		SCALE <i>1</i>	D	CSM7104-0-1
		SHEET <i>3</i> OF <i>-</i>	DIST.	REV. A

BRU 40-532 15840
 REVISIONS
 CHANGE NO.
 REV.

REV. A
 B
 C
 D
 CS M7104-0-1

This drawing and specifications, herein, are the property of Digital Equipment Corporation and shall not be reproduced or copied or used in whole or in part as the basis for the manufacture or sale of items without written permission.

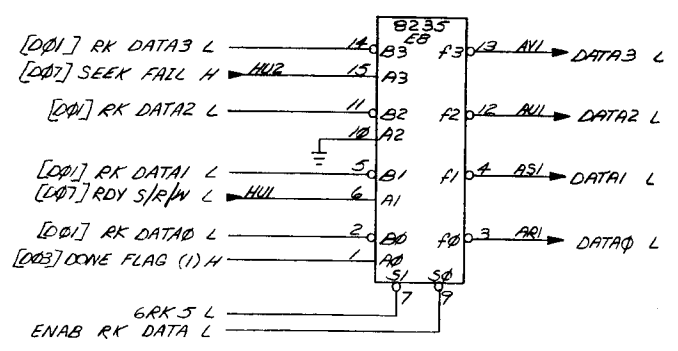
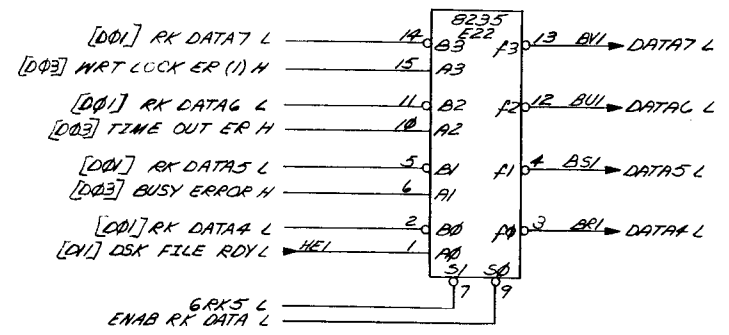
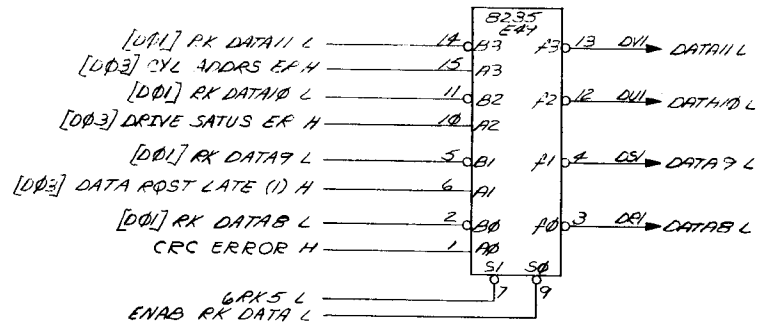
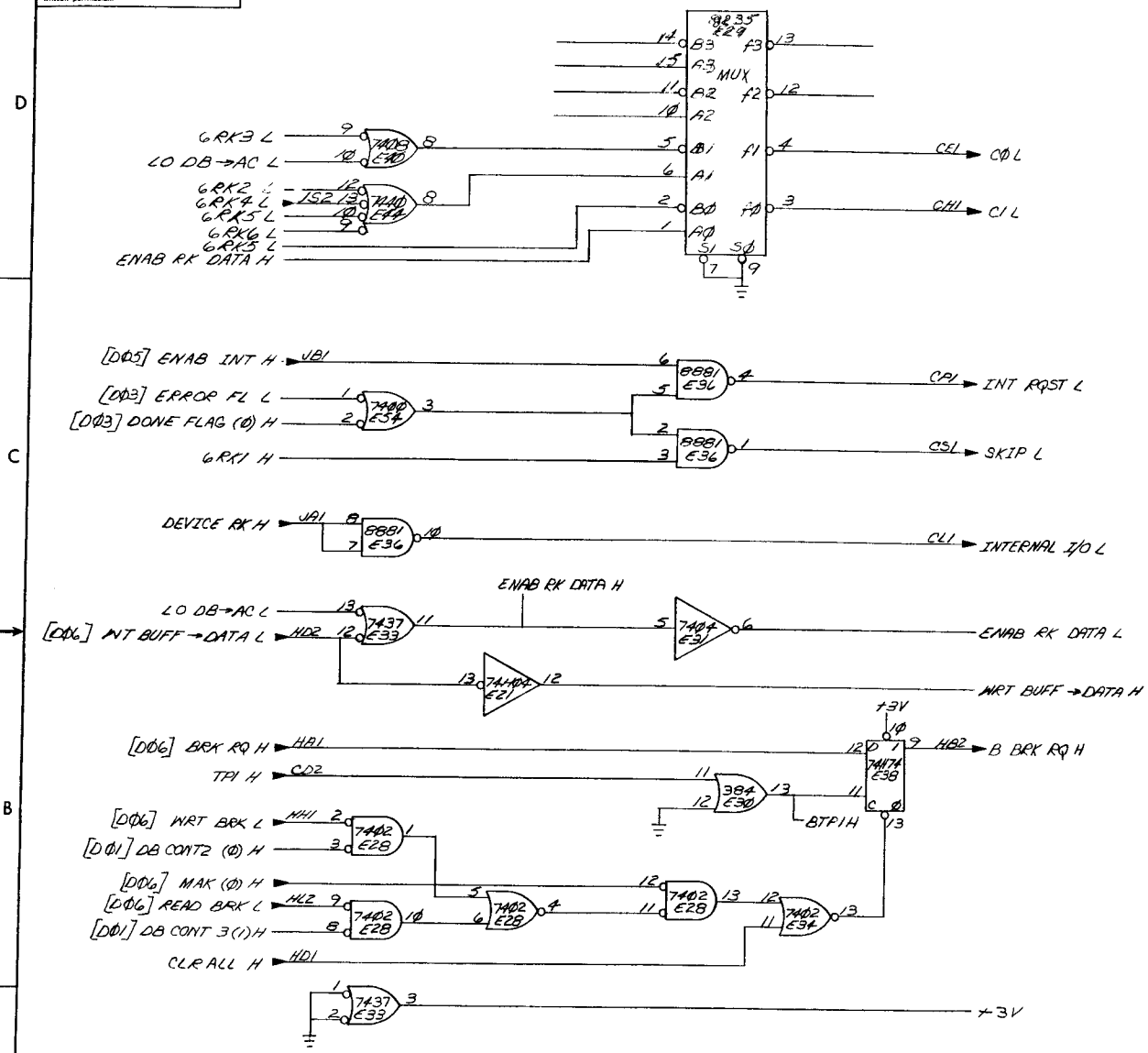


FIRST USED ON OPTION/MODEL	QTY.	DESCRIPTION	PART NO.	ITEM NO.																																																		
RKB-E																																																						
PARTS LIST																																																						
UNLESS OTHERWISE SPECIFIED DIMENSION IN INCHES TOLERANCES		<table border="1"> <tr> <td>DRAWN</td> <td>DATE</td> <td rowspan="4" style="text-align: center; vertical-align: middle;"> digital EQUIPMENT CORPORATION MAYNARD MASSACHUSETTS </td> </tr> <tr> <td>CHKD</td> <td>DATE</td> </tr> <tr> <td>ENGR</td> <td>DATE</td> </tr> <tr> <td>PROJ. ENG.</td> <td>DATE</td> </tr> <tr> <td colspan="2">DECIMALS ANGLES</td> <td colspan="2">TITLE</td> </tr> <tr> <td>.XXX - .006</td> <td>±0° 30'</td> <td colspan="2" rowspan="3" style="text-align: center; vertical-align: middle;"> (D01 B) DATA BUF & STATUS </td> </tr> <tr> <td>.XX - .02</td> <td></td> </tr> <tr> <td>.X - .1</td> <td></td> </tr> <tr> <td colspan="2">REMOVE BURRS AND BREAK SHARP CORNERS SURFACE QUALITY</td> <td colspan="2"> <table border="1"> <tr> <td>MATERIAL</td> <td>NEXT HIGHER ASSY.</td> <td>SIZE CODE</td> <td>NUMBER</td> <td>REV.</td> </tr> <tr> <td></td> <td></td> <td>D</td> <td>CS M7104-0-1</td> <td>A</td> </tr> <tr> <td colspan="2"></td> <td>SCALE</td> <td colspan="2"></td> </tr> <tr> <td colspan="2"></td> <td>SHEET</td> <td colspan="2">4 OF 4</td> </tr> </table> </td> </tr> <tr> <td colspan="2"></td> <td colspan="2">DIST.</td> <td></td> </tr> </table>			DRAWN	DATE	digital EQUIPMENT CORPORATION MAYNARD MASSACHUSETTS	CHKD	DATE	ENGR	DATE	PROJ. ENG.	DATE	DECIMALS ANGLES		TITLE		.XXX - .006	±0° 30'	(D01 B) DATA BUF & STATUS		.XX - .02		.X - .1		REMOVE BURRS AND BREAK SHARP CORNERS SURFACE QUALITY		<table border="1"> <tr> <td>MATERIAL</td> <td>NEXT HIGHER ASSY.</td> <td>SIZE CODE</td> <td>NUMBER</td> <td>REV.</td> </tr> <tr> <td></td> <td></td> <td>D</td> <td>CS M7104-0-1</td> <td>A</td> </tr> <tr> <td colspan="2"></td> <td>SCALE</td> <td colspan="2"></td> </tr> <tr> <td colspan="2"></td> <td>SHEET</td> <td colspan="2">4 OF 4</td> </tr> </table>		MATERIAL	NEXT HIGHER ASSY.	SIZE CODE	NUMBER	REV.			D	CS M7104-0-1	A			SCALE					SHEET	4 OF 4				DIST.		
DRAWN	DATE	digital EQUIPMENT CORPORATION MAYNARD MASSACHUSETTS																																																				
CHKD	DATE																																																					
ENGR	DATE																																																					
PROJ. ENG.	DATE																																																					
DECIMALS ANGLES		TITLE																																																				
.XXX - .006	±0° 30'	(D01 B) DATA BUF & STATUS																																																				
.XX - .02																																																						
.X - .1																																																						
REMOVE BURRS AND BREAK SHARP CORNERS SURFACE QUALITY		<table border="1"> <tr> <td>MATERIAL</td> <td>NEXT HIGHER ASSY.</td> <td>SIZE CODE</td> <td>NUMBER</td> <td>REV.</td> </tr> <tr> <td></td> <td></td> <td>D</td> <td>CS M7104-0-1</td> <td>A</td> </tr> <tr> <td colspan="2"></td> <td>SCALE</td> <td colspan="2"></td> </tr> <tr> <td colspan="2"></td> <td>SHEET</td> <td colspan="2">4 OF 4</td> </tr> </table>		MATERIAL	NEXT HIGHER ASSY.	SIZE CODE	NUMBER	REV.			D	CS M7104-0-1	A			SCALE					SHEET	4 OF 4																																
MATERIAL	NEXT HIGHER ASSY.	SIZE CODE	NUMBER	REV.																																																		
		D	CS M7104-0-1	A																																																		
		SCALE																																																				
		SHEET	4 OF 4																																																			
		DIST.																																																				

REV. NO. CHANGE NO. CHECK
 BRUNING 40-522 15840
 DEC FORM NO. D9D 102-B

SHEET NO. CS M7104-0-1

This drawing and specifications, herein, are the property of Digital Equipment Corporation and shall not be reproduced or copied in whole or in part as the basis for the manufacture or sale of items without written permission.



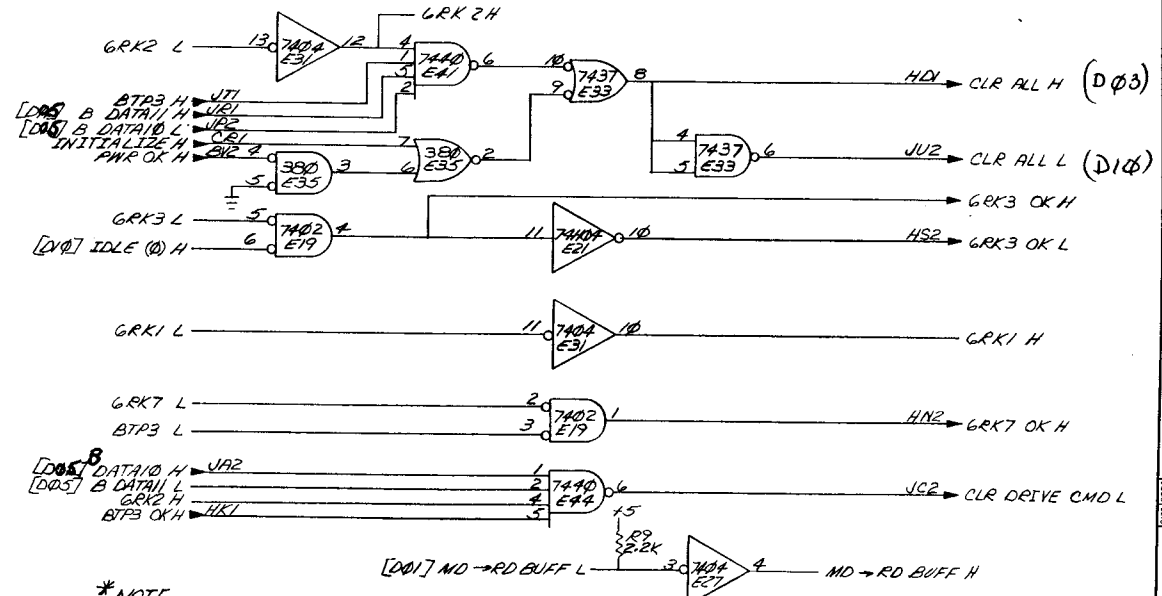
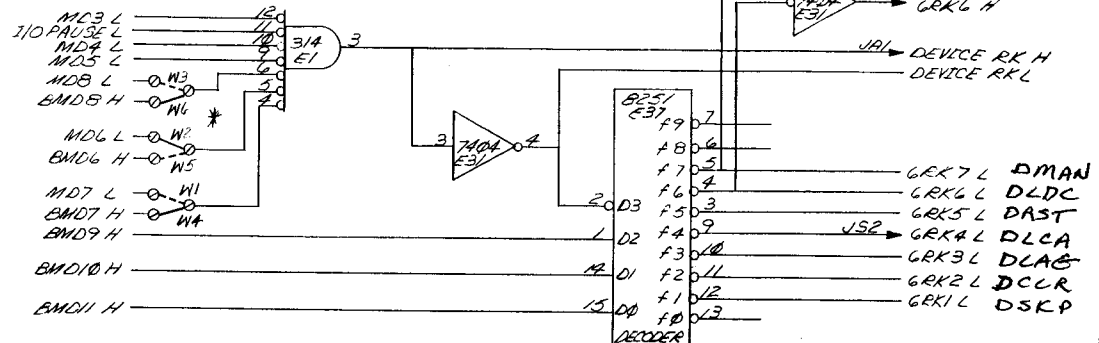
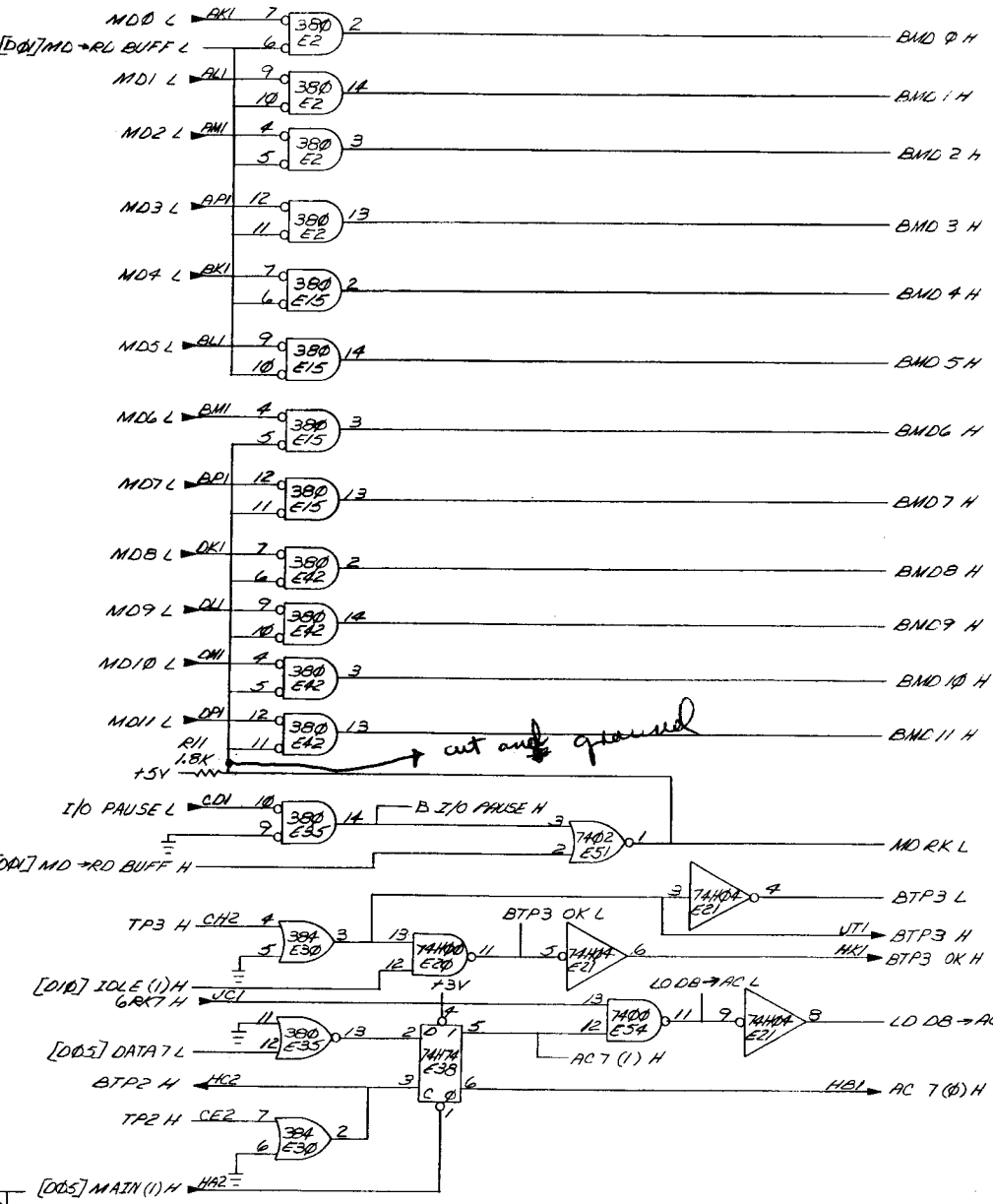
ISSUING 40-532-15840
 DEC 1 1978 MNO
 ORD 102-B

REV.	CHANGE NO.
1	

(OMNIBUS DRIVERS)

FIRST USED ON OPTION/MODEL	QTY.	DESCRIPTION	PART NO.	ITEM NO.
RKB-E		OMNIBUS DRIVERS		
PARTS LIST				
UNLESS OTHERWISE SPECIFIED DIMENSION IN INCHES TOLERANCES	DRN. DATE 10/18/72	CHKD. DATE 10/18/72	DATE 10/18/72	 TITLE (D02A) DATA ELIF & STATUS
DECIMALS .010 ANGLES 10° 30'	ENG. DATE 10/18/72	PROJ. ENG. DATE 10/18/72	DATE 10/18/72	
REMOVE BURRS AND BREAK SHARP CORNERS SURFACE QUALITY	PROD. DATE 10/18/72	DATE 10/18/72	DATE 10/18/72	
MATERIAL	NEXT HIGHER ASSY.			
FINISH	B-DD-RK-0	SCALE 1:1	SHEET 5 OF 5	SIZE CODE D NUMBER CS M7104-0-1 REV. A

This drawing and specifications, herein, are the property of Digital Equipment Corporation and shall not be reproduced or copied or used in whole or in part as the basis for the manufacture or sale of items without written permission.



*NOTE
 IOT 674X AS SHOWN
 VALID IOT'S ARE
 674X
 675X
 676X
 677X

(OMNIBUS RECEIVERS)

FIRST USED ON OPTION/MODEL	QTY.	DESCRIPTION	PART NO.	ITEM NO.
RK8-E				
PARTS LIST				
UNLESS OTHERWISE SPECIFIED DIMENSION IN INCHES		DRN	DATE	
TOLERANCES		CHK'D	DATE	
DECIMALS	ANGLES	ENG.	DATE	
.XXX - .005	10° 30'	PROJ. ENG.	DATE	
.XX - .02		PROD.	DATE	
.X - .1				
REMOVE BURRS AND BREAK SHARP CORNERS SURFACE QUALITY				
MATERIAL		NEXT HIGHER ASSY		
FINISH		SCALE	SHEET	REV.
		6 OF -	DIST	2

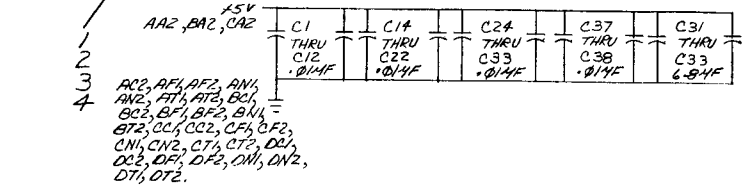
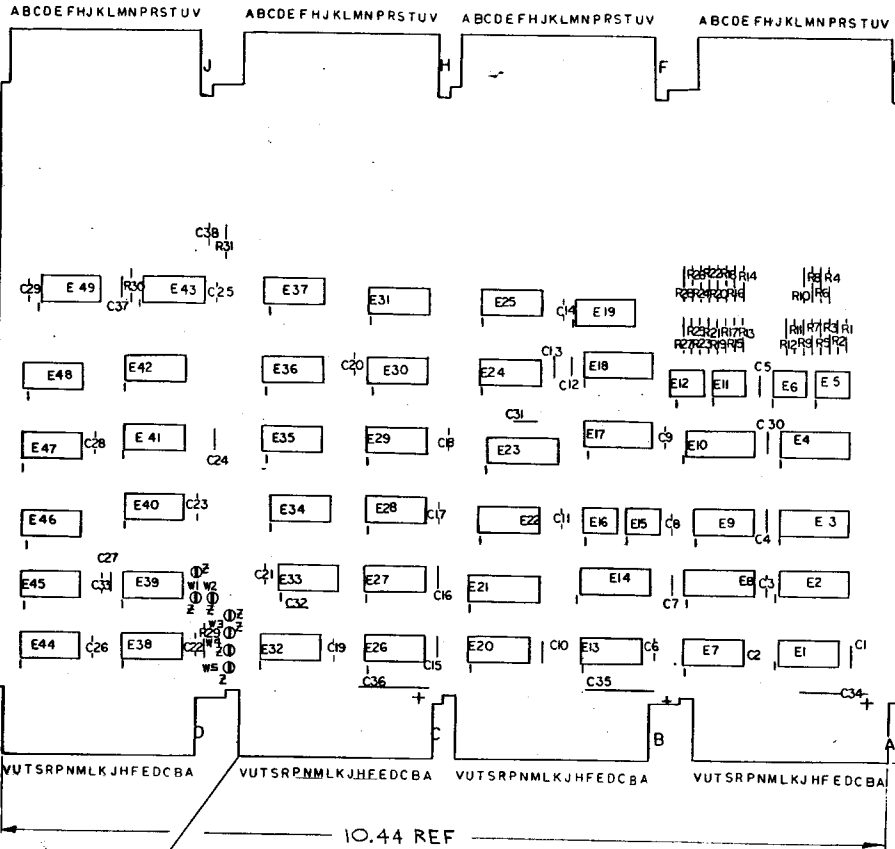
digital EQUIPMENT CORPORATION
 TITLE (D02 B)
 DATA BUF & STATUS

BRUNING 40-332 15840
 DYC FORM NO
 DRD 102-B

REV. A
 NUMBER
 DCS M7104-0-1

This drawing and specifications, herein, are the property of Digital Equipment Corporation and shall not be reproduced or copied or used in whole or in part as the basis for the manufacture or sale of items without written permission.

NOTES:



1
2
3
4

AC2, AF1, AF2, AN1, AN2, AT1, AT2, BA1, BC2, BF1, BF2, BA4, BT2, CC1, CC2, CF1, CF2, CN1, CN2, CT1, CT2, DD1, DD2, DP1, DP2, ON1, ON2, DT1, DT2.

DEC 74155	8	16
DEC 74174	8	16
DEC 74174	8	16
DEC 74161	8	16
DEC 75452	4	8
DEC 75451	4	8
DEC 8271	8	16
DEC 384	1	8
DEC 380	1	8
IC TYPE	GND	+5V
GND AND 5V ARE USUALLY PIN 7 AND 14 RESPECTIVELY. EXCEPTIONS ARE STATED ABOVE.		
IC PIN LOCATIONS		

7	SPLIT LUG	9006735	34	
1	E46	I.C. DEC 7440	1905579	33
1	E10	I.C. DEC 74155	1910656	32
1	E23	I.C. DEC 74174	1910652	31
3	E8, E18, E21	I.C. DEC 74161	1910650	30
4	E5, E6, E15, E16	I.C. DEC 75452	1910645	29
2	E11, E12	I.C. DEC 75451	1910906	28
2	E8, E18	I.C. DEC 7496	1910363	27
3	E25, E38, E41	I.C. DEC 7408	1910155	26
1	E24	I.C. DEC 7486	1910011	25
6	E16, E20, E26, E38, E44	I.C. DEC 8881	1909705	24
2	E39, E45	I.C. DEC 74474	1909667	23
3	E3, E3, E17	I.C. DEC 8271	1909615	22
2	E48, E48	I.C. DEC 7404	1909686	21
1	E27	I.C. DEC 384	1909486	20
3	E13, E22, E32	I.C. DEC 380	1909485	19
1	E38	I.C. DEC 74111	1909267	18
1	E9	I.C. DEC 74452	1909061	17
1	E37	I.C. DEC 74110	1909057	16
2	E28, E47	I.C. DEC 7402	1909004	15
6	E19, E27, E31, E36, E40, E49	I.C. DEC 7400	1905575	14
3	E34, E35, E48	I.C. DEC 7474	1905547	13
14	R2, R5, R6, R9, R10, R12, R15, R16, R19, R20, R23, R24, R27, R28	RESISTOR 100, 1/4W, 5%	1301322	12
1	R29	RESISTOR, 1K, 1/4W, 5%	1300365	11
14	R1, R3, R6, R7, R8, R11, R13, R14, R18, R18, R21, R22, R25, R26	RESISTOR, 390, 1/4W, 5%	1300309	10
2	R30, R31	RESISTOR, 100, 1/4W, 5%	1300229	9
32	C1 THRU C33	CAP, .01MF, 100V, 20% DISC	1001610	8
3	C34 THRU C36	CAP, 6.8MF, 35V, 20% STANT	1000067	7
1	C38	CAP, 500pF, 100V, 5% D.M.	1000025	6
1	C37	CAP, 970pF, 100V, 5% D.M.	1000024	5
1		ETCHED CIRCUIT BOARD	5010065	4
REF		MODULE ECO HISTORY	B-MH-M7105-4	3
REF		ASSY DRILLING HOLE LAYOUT	D-MH-M7105-5	2
REF		X-Y COORDINATE HOLE LOCATION	K-CO-M7105-1	1
QTY	REF DESIGNATION	DESCRIPTION	PART NO.	ITEM NO.

FIRST USED ON OPTION MODEL
+ +

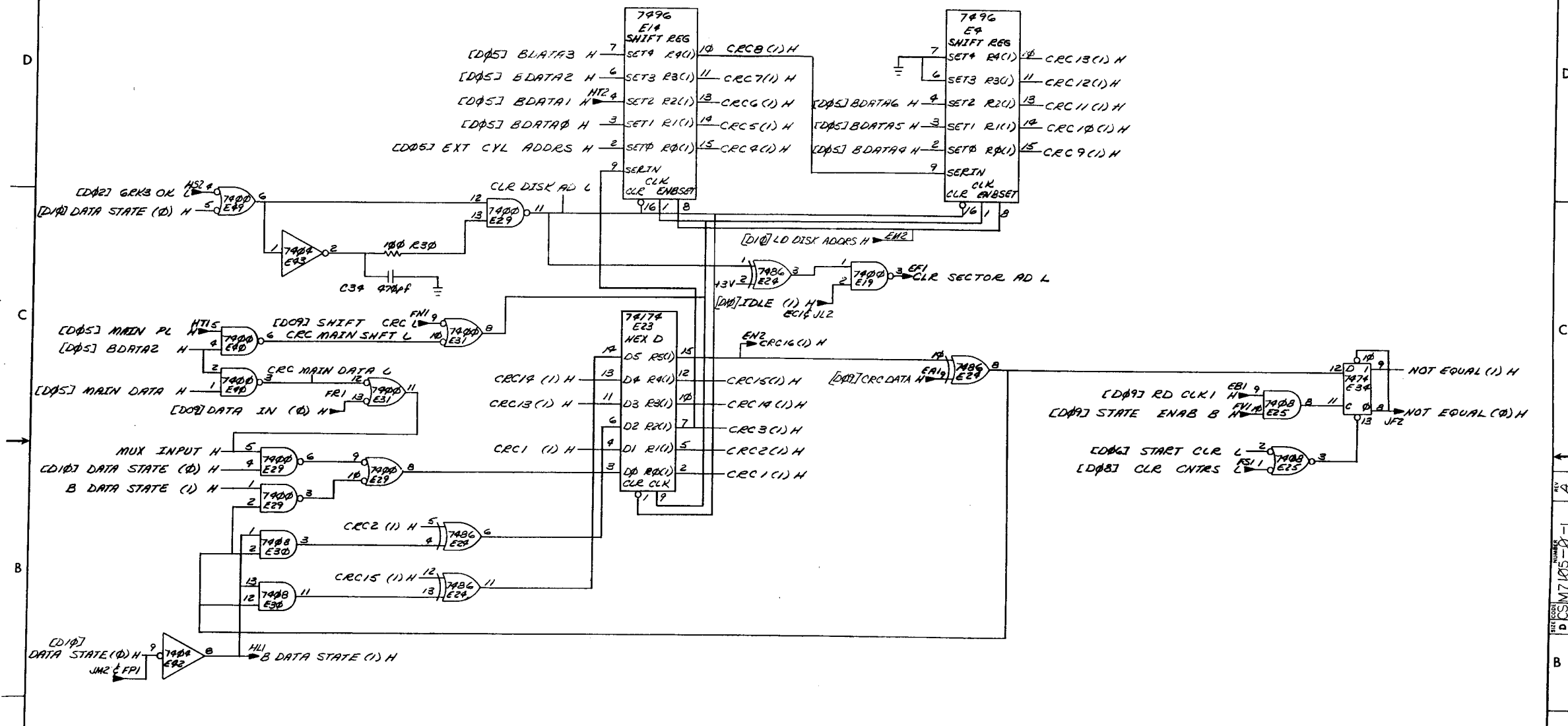
PARTS LIST			
ETCH BOARD REV			
DRN	DATE		
CHKD	DATE		
ENG	DATE		
PROJ. ENG	DATE		
PROD	DATE		
NEXT HIGHER ASSY			
DEC NO.	EIA NO.	DEC NO.	EIA NO.
SEMICONDUCTOR CONVERSION CHART			
SCALE	SHEET 2 OF		
SHEET	2 OF		
SIZE CODE	NUMBER	REV.	
DJCSM7105-0-1		A	

digital EQUIPMENT CORPORATION
MAYNARD, MASSACHUSETTS

MAJOR REGISTERS

BRUNING 40-232 1649

This drawing and specifications, herein, are the property of Digital Equipment Corporation and shall not be reproduced or copied or used in whole or in part as the basis for the manufacture or sale of items without written permission.



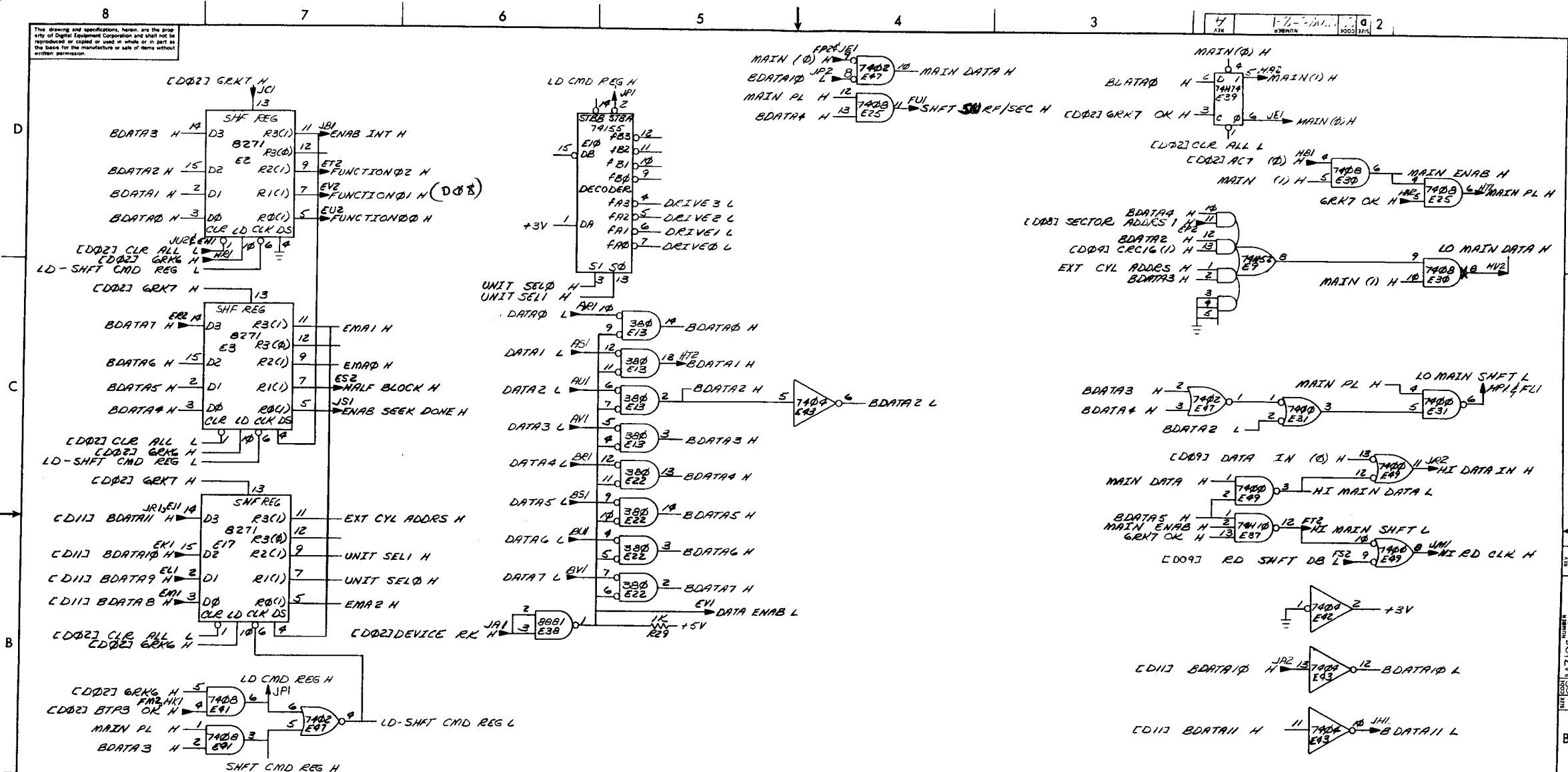
(CRC/DISK ADDRESS REG)

REV. 1
REV. 2
REV. 3
REV. 4
REV. 5
REV. 6
REV. 7
REV. 8
REV. 9
REV. 10
REV. 11
REV. 12
REV. 13
REV. 14
REV. 15
REV. 16
REV. 17
REV. 18
REV. 19
REV. 20

FIRST USED ON OPTION/MODEL	QTY.	DESCRIPTION	PART NO.	ITEM NO.
RK8-E				
PARTS LIST				
UNLESS OTHERWISE SPECIFIED DIMENSION IN INCHES TOLERANCES	DRN <i>alibnt</i>	DATE 6/13/72	digital EQUIPMENT CORPORATION MAYNARD MASSACHUSETTS	
DECIMALS	ANGLES	DATE 11-2-72	TITLE (D04) MAJOR REGISTERS	
.XXX - .005 .XX - .02 .X - .3	5° 30'	DATE 12/17/72	D04	
REMOVE BURRS AND BREAK SHARP CORNERS SURFACE QUALITY	PROJ. ENG. <i>alibnt</i>	DATE 10/17/72	DCS M7105-0-1	
MATERIAL	NEXT HIGHER ASSY.	DATE 10/17/72	REV. A	
FINISH	D-UA-RK8-E-0	SCALE	SHEET 3 OF	
			DIST.	

REV. A
NUMBERS
CSM7105-0-1

This drawing and specifications, herein, are the property of Digital Equipment Corporation and shall not be reproduced or copied or used in whole or in part as the basis for the manufacture or sale of items without written permission.



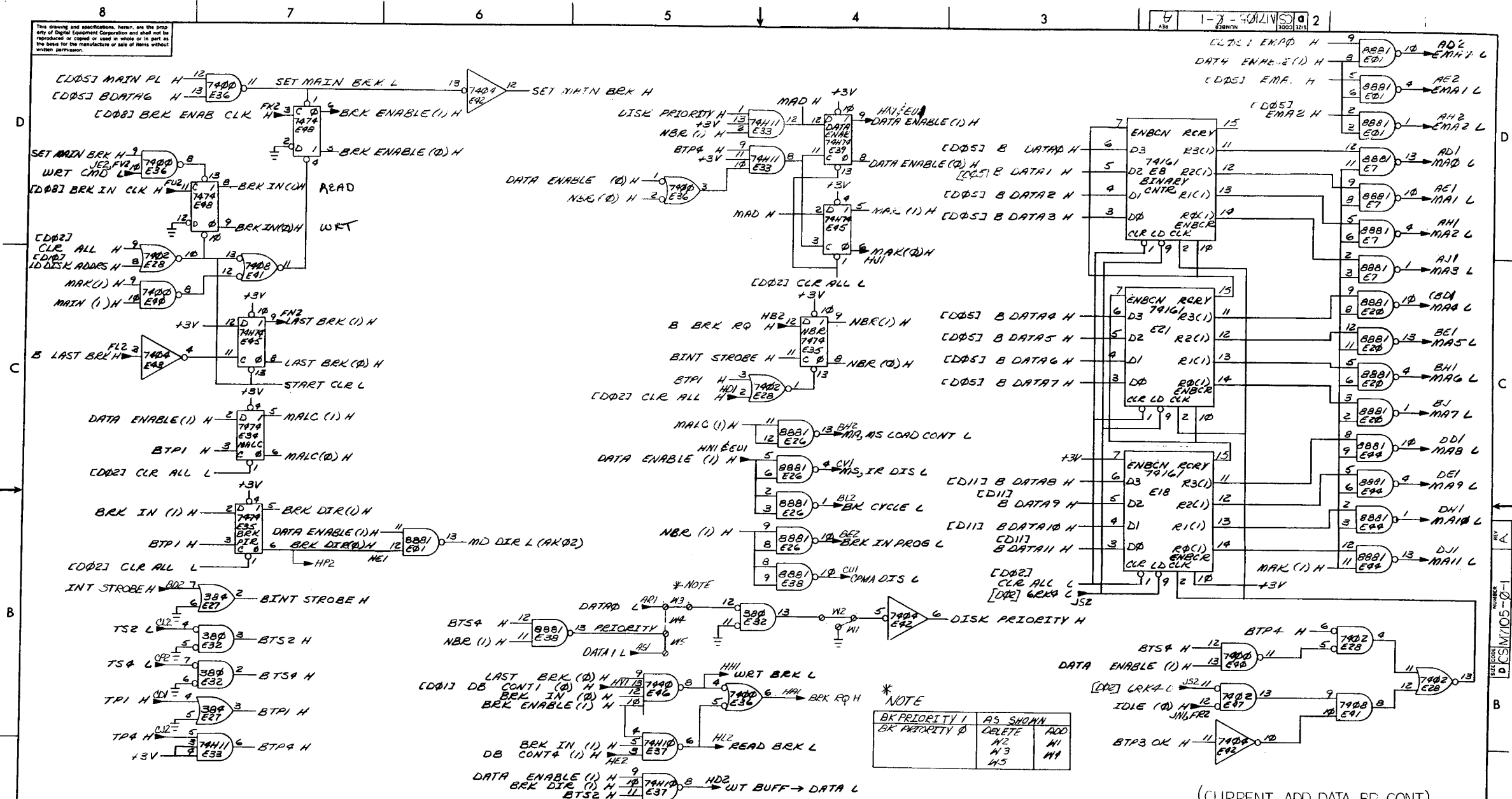
(COMMAND REG. MAINT. LOGIC)

FIRST USED ON OPTION/MODEL	QTY.	DESCRIPTION	PART NO.	ITEM NO.		
RKB-E						
PARTS LIST						
UNLESS OTHERWISE SPECIFIED DIMENSION IN INCHES TOLERANCES	DRN W. J. W.	DATE 6-13-71	digital EQUIPMENT CORPORATION MAYNARD MASSACHUSETTS			
DECIMALS	CHK'D J. J. W.	DATE 6-13-71				
ANGLES	ENG. J. J. W.	DATE 6-13-71				
.XXX - .006 .XX - .02 .X - .1	PROJ. ENG. J. J. W.	DATE 6-13-71				
REMOVE BURRS AND BREAK SHARP CORNERS SURFACE QUALITY	PROD. J. J. W.	DATE 6-13-71	TITLE (D05) MAJOR REGISTER			
MATERIAL	NEXT HIGHER ASSY.	SIZE CODE			NUMBER	REV
FINISH	B-DD-RKB-0	D			CS M7105-0-1	A
	SCALE	SHEET	DIST			
	4 OF 6					

BRUNING 65-522 15840
REV. 1-72
CHK OK 3-1-72
REV. 1-72
REV. 1-72

REV. 1-72

This drawing and specifications, herein, are the property of Digital Equipment Corporation and shall not be reproduced or copied or used in whole or in part as the basis for the manufacture or sale of items without written permission.



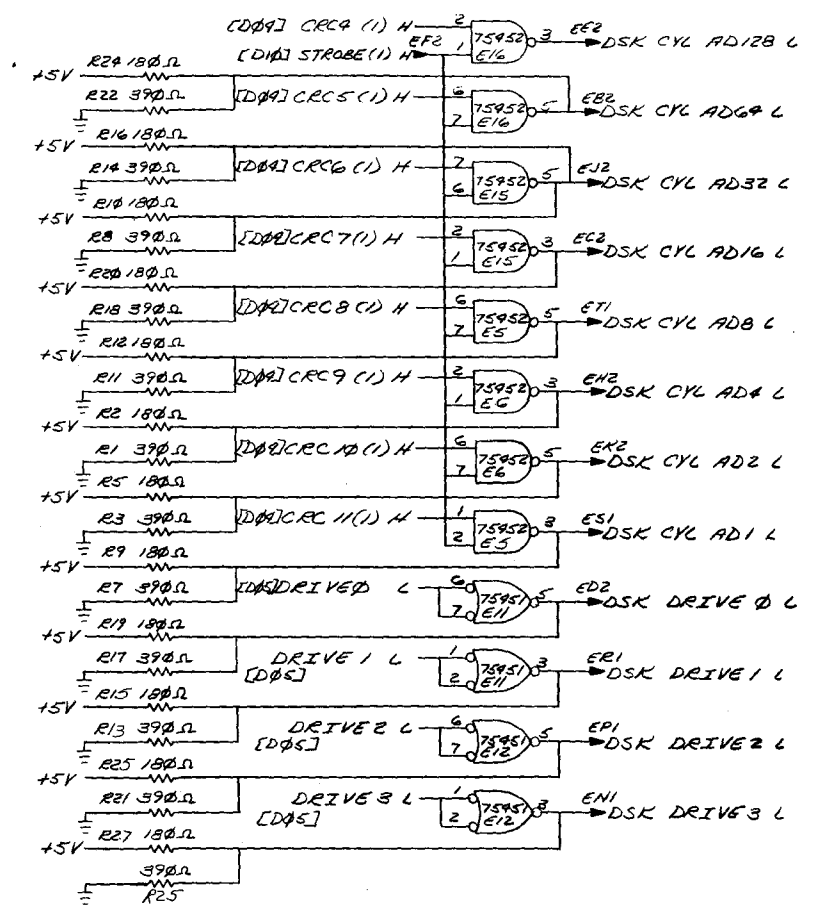
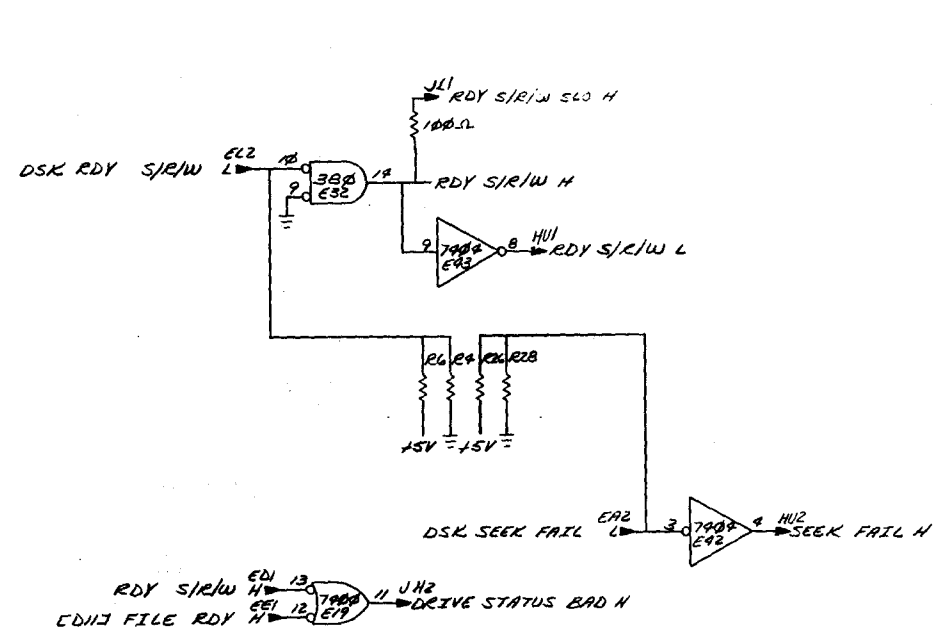
(CURRENT ADD DATA BR CONT.)

FIRST USED ON OPTION/MODEL	QTY.	DESCRIPTION	PART NO.	ITEM NO.
RK8-E				
PARTS LIST				
UNLESS OTHERWISE SPECIFIED DIMENSION IN INCHES TOLERANCES	DRN <i>Wibot</i>	DATE 6/18/70	digital EQUIPMENT CORPORATION MAYNARD MASSACHUSETTS	
DECIMALS ANGLES	CHK'D <i>Wibot</i>	DATE 6/18/70		
XXX - 005 .XX - 02 X - .1	ENG <i>Wibot</i>	DATE 6/18/70	TITLE (D06) MAJOR REGISTERS	
REMOVE BURRS AND BREAK SHARP CORNERS SURFACE QUALITY	PROJ. ENG. <i>Wibot</i>	DATE 6/18/70		
MATERIAL	PROD. <i>Wibot</i>	DATE 6/18/70		
NEXT HIGHER ASSY.				
FINISH	SCALE 5 OF		SIZE CODE B-DD-RK8-0	NUMBER D CS M7105-0-1
	SHEET			REV. A

BRUNING 40-522 10840
DEC FORM NO
DRD 101-B

REV. A
REV. B
REV. C
REV. D
REV. E
REV. F
REV. G
REV. H
REV. I
REV. J
REV. K
REV. L
REV. M
REV. N
REV. O
REV. P
REV. Q
REV. R
REV. S
REV. T
REV. U
REV. V
REV. W
REV. X
REV. Y
REV. Z

All drawings and specifications herein are the property of Digital Equipment Corporation and shall not be reproduced or copied or used in whole or in part as the basis for the manufacture or sale of items without written permission.



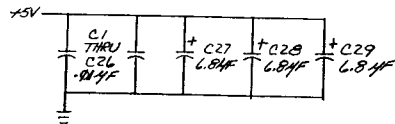
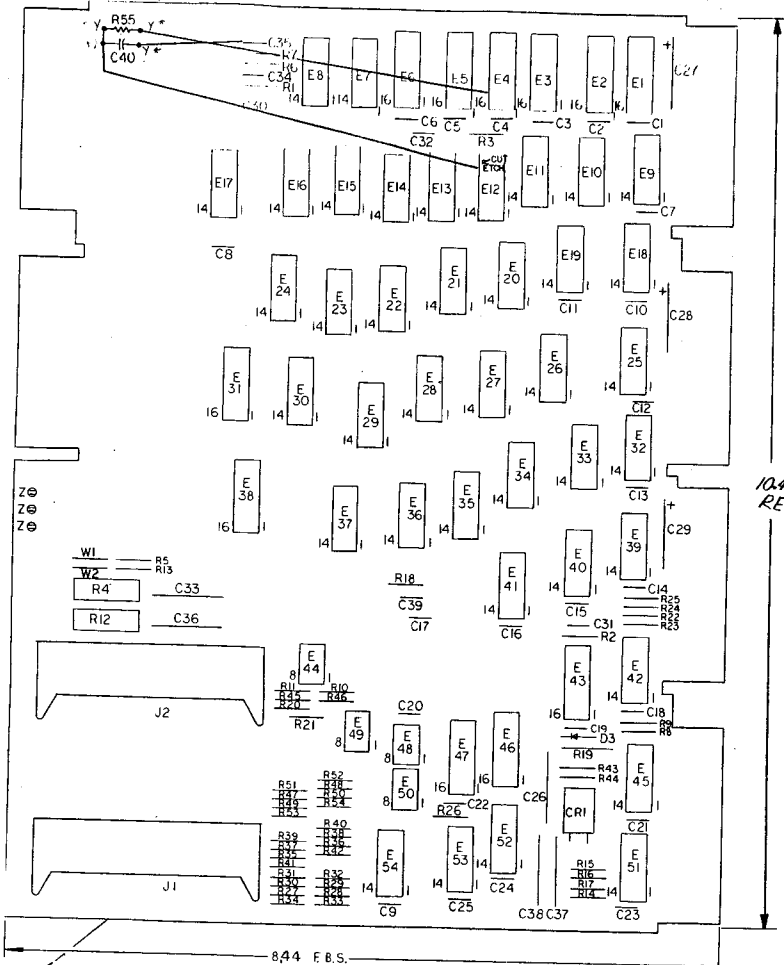
(DRIVE SIGNALS CABLE J1)

BRUNING 40-522 15840
 DEC FORM NO 1060 100-B
 REVISIONS
 CHANGE NO. 1 REV. 1/80
 C.K. Q.K. J.V. 1/80

FIRST USED ON OPTION/MODEL	QTY.	DESCRIPTION	PART NO.	ITEM NO.
RK8-E				
PARTS LIST				
UNLESS OTHERWISE SPECIFIED DIMENSION IN INCHES.		DRN <i>Robert</i>	DATE <i>6-27-72</i>	 digital EQUIPMENT CORPORATION MAYNARD MASSACHUSETTS
TOLERANCES		CHK'D <i>Robert</i>	DATE <i>6-27-72</i>	
DECIMALS	ANGLES	ENG <i>Robert</i>	DATE <i>6-27-72</i>	
XXX - .005	20' 30"	PROJ. ENG. <i>Robert</i>	DATE <i>6-27-72</i>	
REMOVE BURRS AND BREAK SHARP CORNERS SURFACE QUALITY		PROD. <i>Robert</i>	DATE <i>6-27-72</i>	TITLE (D07) MAJOR REGISTERS
MATERIAL		NEXT HIGHER ASSY.		SIZE CODE NUMBER REV
FINISH		B-DD-RK8-Ø		D/CS M7105-Ø-1 A
SCALE		SHEET 6 OF		DIST

This drawing and specifications, herein, are the property of Digital Equipment Corporation and shall not be reproduced or copied or used in whole or in part as the basis for the manufacture or sale of items without written permission.

NOTES:



QTY	REF DESIGNATION	DESCRIPTION	PART NO.	ITEM NO.
1	C40	CAPACITOR 470PF, 100V, 5%	1000024	48
AR		#30AWG WIRE, SOLID GREEN	9105740-55	47
4		GRIPLETS	1210244-0	46
AW	W1, W2	INSULATED JUMPER	9009185	45
2	J1, J2	CONN. 40 RT ANGLE	1209941	44 REF
1	E31	I.C. TYPE 74155	1910656	43 REF
2	E38, E43	I.C. TYPE 74123	1910436	42 REF

1	E46	I.C. TYPE 7496	1910363	41
1	E47	I.C. TYPE 7485	1910224	40
9	E15, E18 THRU E22, E24, E37, E41	I.C. TYPE 7474	1905547	39
1	E28	I.C. TYPE 74H52	1909061	38
1	E10	I.C. TYPE 74H10	1909057	37
2	E38, E39	I.C. TYPE 7410	1905576	36
2	E16, E32	I.C. TYPE 7408	1910155	35
5	E42, E51 THRU E54	I.C. TYPE 3000	1909485	34
2	E11, E7	I.C. TYPE 74N04	1909931	33
3	E9, E35, E36	I.C. TYPE 7404	1909686	32
6	E13, E23, C26, E28, C30, C40	I.C. TYPE 7402	1909004	31
8	E8, E12, E41, E45, E25, E26, E33, E45	I.C. TYPE 7400	1905575	30
6	E1 THRU E6	I.C. TYPE 74161	1910650	29
4	E44, E48 THRU E50	I.C. TYPE 75452	1910645	28
1	C21	CRYSTAL, 2.88 MHz	1810694-3	27
2	R4, R12	POTENTIOMETER, 10K, 1/4W, 76A0	1309143-10	26
1	R19	RESISTOR, 200K, 1%, 1/4W, MF	1309418	25
6	R6, R8, R9, E7, E18, R55	RESISTOR, 100Ω, 5%, 1/4W, CC	1300229	24
1	R13	RESISTOR, 20K, 5%, 1/4W, CC	1302391	23
3	R5, R15, R17	RESISTOR, 10K, 5%, 1/4W, CC	1300879	22
1	R2	RESISTOR, 56K, 5%, 1/4W, CC	1301874	21
1	R44	RESISTOR, 3K, 5%, 1/4W, CC	1300432	20
4	R3, R9, R26, R43	RESISTOR, 1K, 5%, 1/4W, CC	1300365	19
2	R16, R10	RESISTOR, 470Ω, 5%, 1/4W, CC	1300316	18
17	R11, R20, R23, R25, R27, R28, R31, R33, R35, E37, E38, E40, E42, E43, E49, E51, E53	RESISTOR, 390Ω, 5%, 1/4W, CC	1300309	17
17	R14, R21, R22, R24, R28, R29, R32, R34, R36, R38, E46, E48, E49, E50, E52, R54	RESISTOR, 180Ω, 5%, 1/4W, CC	1301322	16
1	D3	DIODE D664	1100114	15
2	C33, C36	CAPACITOR, .022µF, 100V, 5% TANT	1002323	14
3	C37, C38, C26	CAPACITOR, 470PF, 100V, 5% TANT	1009312	13
1	C31	CAPACITOR, 100PF, 100V, 5% DM	1000006	12
1	C32	CAPACITOR, 500PF, 100V, 5% DM	1000027	11
2	C34, C39	CAPACITOR, 500PF, 100V, 5% DM	1000025	10
1	C35	CAPACITOR, 330PF, 100V, 5% DM	1000023	9
1	C30	CAPACITOR, 100PF, 100V, 5% DM	1000020	8
3	C27 THRU C29	CAPACITOR, 6.2µF, 35V, 20% TANT	1000067	7
25	C1 THRU C25	CAPACITOR, .01µF, 100V, 20% DISC.	1001610	6
3	TP1 THRU TP3	SPLIT LUG	900735	5
1		ETCHED CIRCUIT BOARD	5010066	4
1		MODULE ECO HISTORY	B-NH-M746-0-3	3
1		ASSY DRILLING HOLE LAYOUT	D-NH-M746-0-3	2
1		X-Y COORDINATE HOLE LOCATION	K-CO-M746-0-4	1

IC TYPE	GND	+5V
DEC 390	1	8
DEC 7485	8	16
DEC 7496	5	12
DEC 74155	8	16
DEC 74161	8	16

GND AND 5V ARE USUALLY PIN 7 AND 14 RESPECTIVELY EXCEPTIONS ARE STATED ABOVE

IC PIN LOCATIONS

FIRST USED ON OPTION MODEL		PARTS LIST	
REV	DATE	REV	DATE
1	11/17/70	B	11/17/70
2	12/10/70		
3	1/14/71		
4	1/14/71		
5	1/14/71		
6	1/14/71		
7	1/14/71		
8	1/14/71		
9	1/14/71		
10	1/14/71		
11	1/14/71		
12	1/14/71		
13	1/14/71		
14	1/14/71		
15	1/14/71		
16	1/14/71		
17	1/14/71		
18	1/14/71		
19	1/14/71		
20	1/14/71		
21	1/14/71		
22	1/14/71		
23	1/14/71		
24	1/14/71		
25	1/14/71		

DRN: [Signature] DATE: 11/17/70
 CHKD: [Signature] DATE: 12/10/70
 ENG: [Signature] DATE: 1/14/71
 PROJ. ENG: [Signature] DATE: 1/14/71
 PROD: [Signature] DATE: 1/14/71

TITLE: CONTROL, RK8-E

NEXT HIGHER ASSY: D-UA-RK8-E-0

SCALE: 1:1

SIZE CODE: D CS M7406-E-1

NUMBER: 2

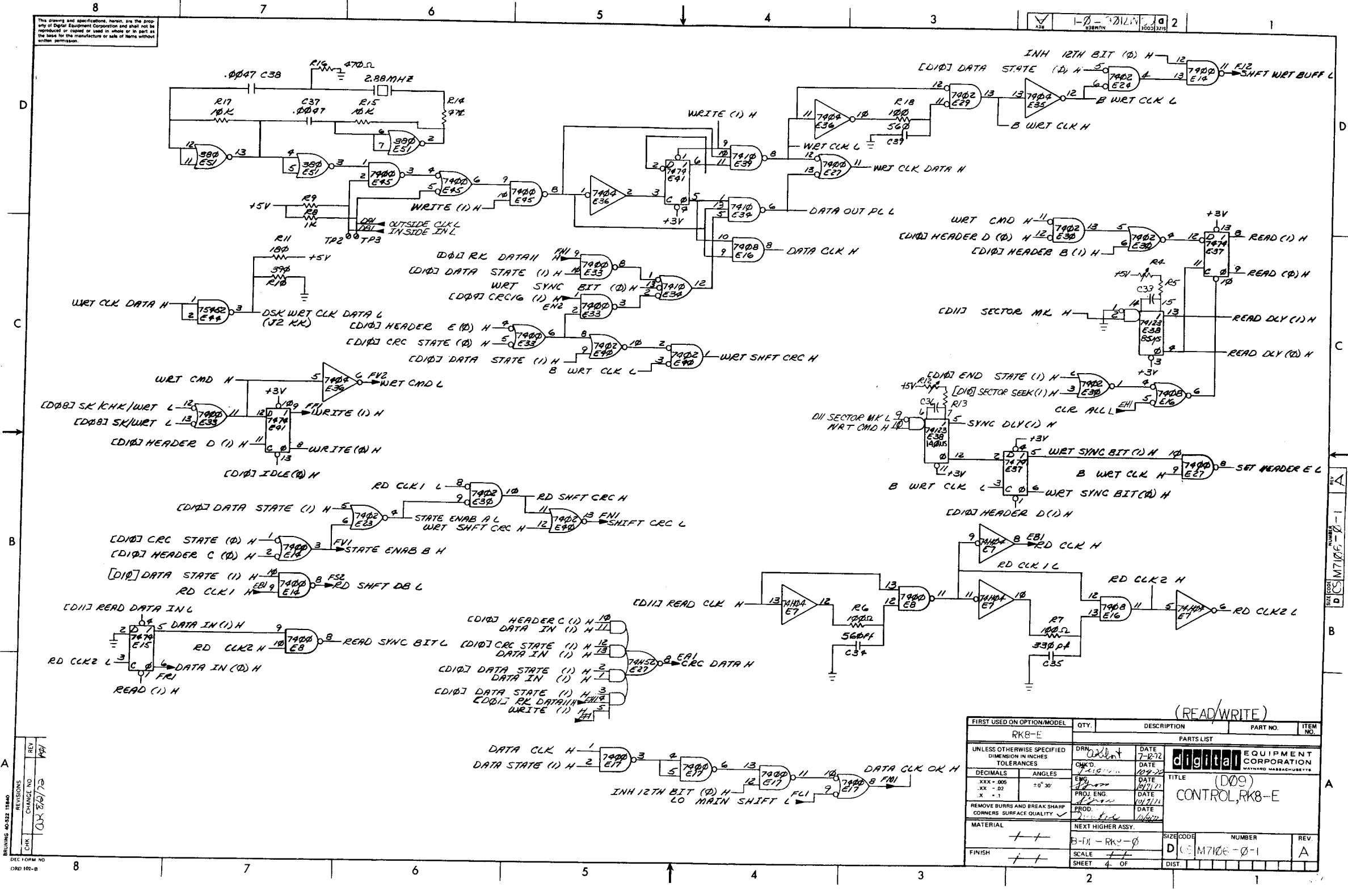
REV: 2

SEMICONDUCTOR CONVERSION CHART

SHEET 2 OF 2

This drawing and specifications herein, are the property of Digital Equipment Corporation and shall not be reproduced or copied or used in whole or in part as the basis for the manufacture or sale of items without written permission.

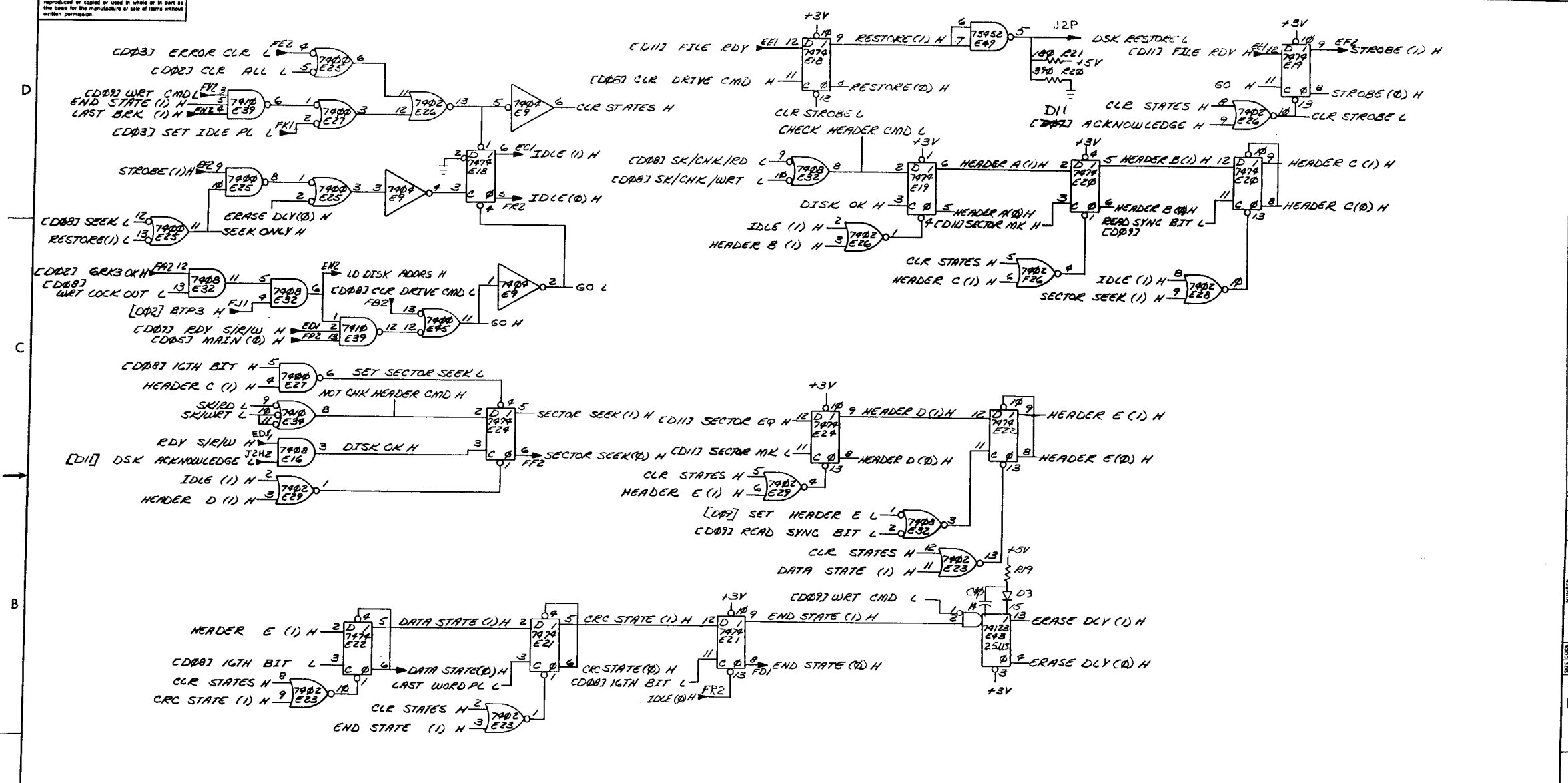
1-0-7121 2



BRUING 4032Z 1840
 REVISIONS
 CHANGE NO. 1
 DATE 10/15/73
 CHK. 10/15/73
 REV. 10/15/73

FIRST USED ON OPTION/MODEL	QTY.	DESCRIPTION	PART NO.	ITEM NO.
RK8-E				
PARTS LIST				
UNLESS OTHERWISE SPECIFIED DIMENSION IN INCHES		DATE 7-12-72		
TOLERANCES		DATE 10-2-72		
DECIMALS	ANGLES	ENG. DATE 10-11-72	TITLE (D09) CONTROL, RK8-E	
XXX - .006	° 0' 30"	PROJ. ENG. DATE 10-11-72		
.XX - .02		PROD. DATE 10-11-72	MATERIAL NEXT HIGHER ASSY.	
X - .1		CORNERS SURFACE QUALITY		
MATERIAL		SIZE CODE		
FINISH		NUMBER		
		SCALE		
		SHEET 4 OF		
		DIST.		

This drawing and specifications herein are the property of Digital Equipment Corporation and shall not be reproduced or copied in whole or in part to be used in the manufacture or sale of items without written permission.



REV. 1
REV. 2
REV. 3
REV. 4
REV. 5
REV. 6
REV. 7
REV. 8
REV. 9
REV. 10
REV. 11
REV. 12
REV. 13
REV. 14
REV. 15
REV. 16
REV. 17
REV. 18
REV. 19
REV. 20
REV. 21
REV. 22
REV. 23
REV. 24
REV. 25
REV. 26
REV. 27
REV. 28
REV. 29
REV. 30
REV. 31
REV. 32
REV. 33
REV. 34
REV. 35
REV. 36
REV. 37
REV. 38
REV. 39
REV. 40
REV. 41
REV. 42
REV. 43
REV. 44
REV. 45
REV. 46
REV. 47
REV. 48
REV. 49
REV. 50

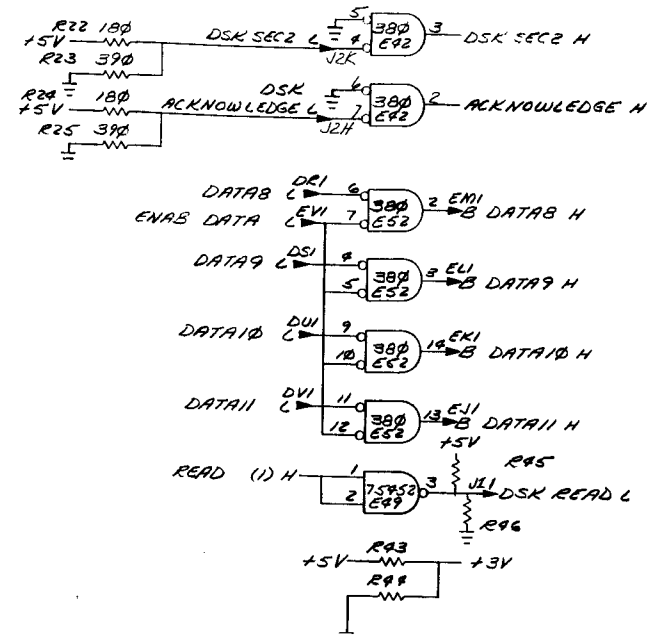
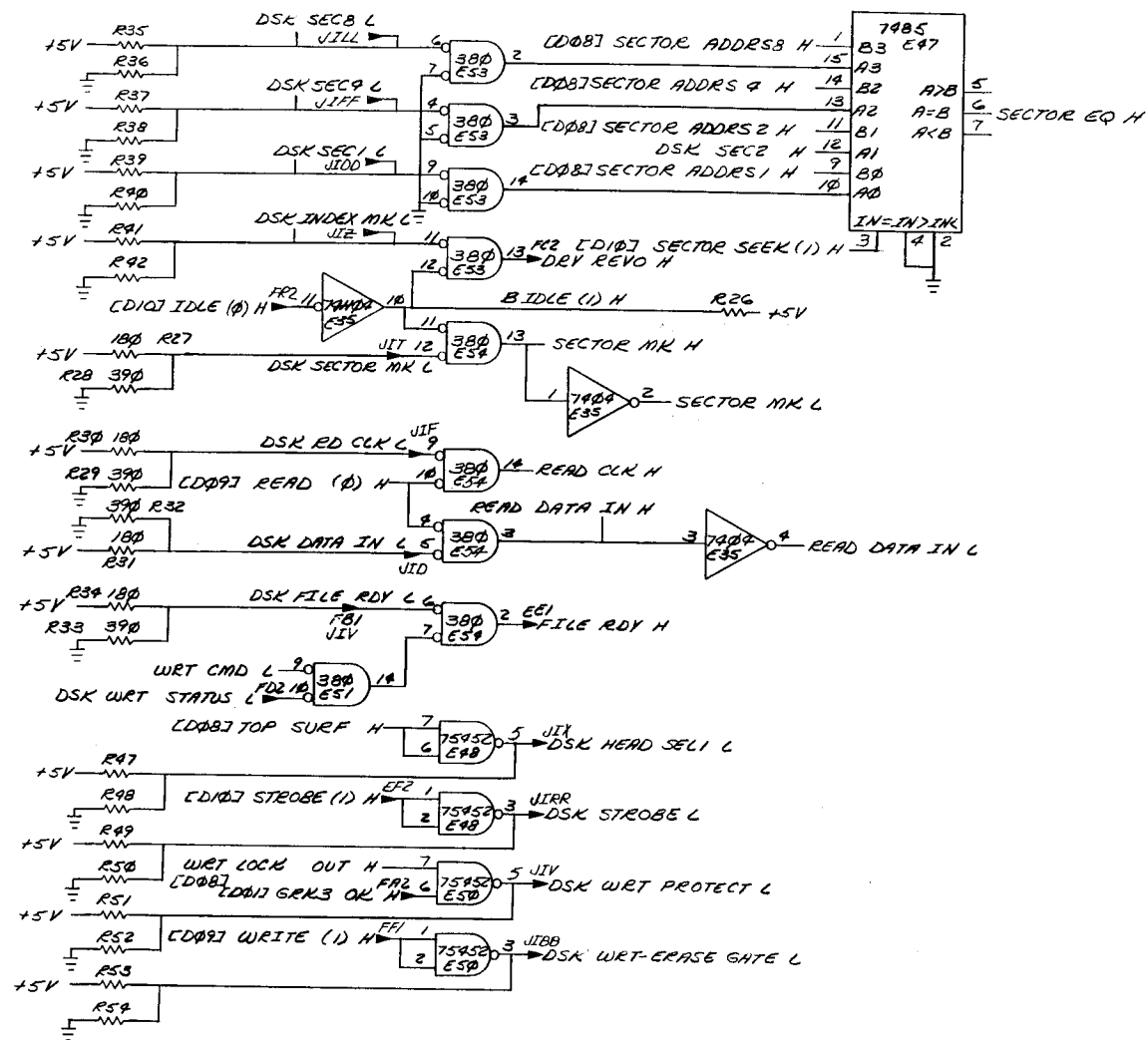
(MAJOR STATES)

FIRST USED ON OPTION/MODEL	QTY.	DESCRIPTION	PART NO.	ITEM NO.
RK8-E				
PARTS LIST				
UNLESS OTHERWISE SPECIFIED DIMENSION IN INCHES TOLERANCES	DRAWN: <i>advent</i>	DATE: 7-14-72	DIGITAL EQUIPMENT CORPORATION MAYNARD MASSACHUSETTS	
DECIMALS	CHK'D:	DATE: 10-4-72	TITLE: (D10) CONTROL, RK8-E	
ANGLES	ENG: <i>...</i>	DATE: 10-4-72		
.XXX - .005	PROJ. ENG: <i>...</i>	DATE: 10-4-72		
.XX - .02	PROD. DATE: 10-4-72	DATE: 10-4-72		
.X - .1	REMOVE BURRS AND BREAK SHARP CORNERS SURFACE QUALITY	DATE: 10-4-72		
MATERIAL	NEXT HIGHER ASSY.		SIZE CODE	NUMBER
FINISH	B-DI - RK8-E		DCS	M7106-2-1
	SCALE		SHEET	OF
			DIST	

REV. A
REV. B
REV. C
REV. D
REV. E
REV. F
REV. G
REV. H
REV. I
REV. J
REV. K
REV. L
REV. M
REV. N
REV. O
REV. P
REV. Q
REV. R
REV. S
REV. T
REV. U
REV. V
REV. W
REV. X
REV. Y
REV. Z
REV. AA
REV. AB
REV. AC
REV. AD
REV. AE
REV. AF
REV. AG
REV. AH
REV. AI
REV. AJ
REV. AK
REV. AL
REV. AM
REV. AN
REV. AO
REV. AP
REV. AQ
REV. AR
REV. AS
REV. AT
REV. AU
REV. AV
REV. AW
REV. AX
REV. AY
REV. AZ
REV. BA
REV. BB
REV. BC
REV. BD
REV. BE
REV. BF
REV. BG
REV. BH
REV. BI
REV. BJ
REV. BK
REV. BL
REV. BM
REV. BN
REV. BO
REV. BP
REV. BQ
REV. BR
REV. BS
REV. BT
REV. BU
REV. BV
REV. BV
REV. BW
REV. BX
REV. BY
REV. BZ
REV. CA
REV. CB
REV. CC
REV. CD
REV. CE
REV. CF
REV. CG
REV. CH
REV. CI
REV. CJ
REV. CK
REV. CL
REV. CM
REV. CN
REV. CO
REV. CP
REV. CQ
REV. CR
REV. CS
REV. CT
REV. CU
REV. CV
REV. CW
REV. CX
REV. CY
REV. CZ
REV. DA
REV. DB
REV. DC
REV. DD
REV. DE
REV. DF
REV. DG
REV. DH
REV. DI
REV. DJ
REV. DK
REV. DL
REV. DM
REV. DN
REV. DO
REV. DP
REV. DQ
REV. DR
REV. DS
REV. DT
REV. DU
REV. DV
REV. DV
REV. DW
REV. DX
REV. DY
REV. DZ
REV. EA
REV. EB
REV. EC
REV. ED
REV. EE
REV. EF
REV. EG
REV. EH
REV. EI
REV. EJ
REV. EK
REV. EL
REV. EM
REV. EN
REV. EO
REV. EP
REV. EQ
REV. ER
REV. ES
REV. ET
REV. EU
REV. EV
REV. EV
REV. EW
REV. EX
REV. EY
REV. EZ
REV. FA
REV. FB
REV. FC
REV. FD
REV. FE
REV. FF
REV. FG
REV. FH
REV. FI
REV. FJ
REV. FK
REV. FL
REV. FM
REV. FN
REV. FO
REV. FP
REV. FQ
REV. FR
REV. FS
REV. FT
REV. FU
REV. FV
REV. FV
REV. FW
REV. FX
REV. FY
REV. FZ
REV. GA
REV. GB
REV. GC
REV. GD
REV. GE
REV. GF
REV. GG
REV. GH
REV. GI
REV. GJ
REV. GK
REV. GL
REV. GM
REV. GN
REV. GO
REV. GP
REV. GQ
REV. GR
REV. GS
REV. GT
REV. GU
REV. GV
REV. GV
REV. GW
REV. GX
REV. GY
REV. GZ
REV. HA
REV. HB
REV. HC
REV. HD
REV. HE
REV. HF
REV. HG
REV. HH
REV. HI
REV. HJ
REV. HK
REV. HL
REV. HM
REV. HN
REV. HO
REV. HP
REV. HQ
REV. HR
REV. HS
REV. HT
REV. HU
REV. HV
REV. HV
REV. HW
REV. HX
REV. HY
REV. HZ
REV. IA
REV. IB
REV. IC
REV. ID
REV. IE
REV. IF
REV. IG
REV. IH
REV. II
REV. IJ
REV. IK
REV. IL
REV. IM
REV. IN
REV. IO
REV. IP
REV. IQ
REV. IR
REV. IS
REV. IT
REV. IU
REV. IV
REV. IV
REV. IW
REV. IX
REV. IY
REV. IZ
REV. JA
REV. JB
REV. JC
REV. JD
REV. JE
REV. JF
REV. JG
REV. JH
REV. JI
REV. IJ
REV. JK
REV. JL
REV. JM
REV. JN
REV. JO
REV. JP
REV. JQ
REV. JR
REV. JS
REV. JT
REV. JU
REV. JV
REV. JV
REV. JW
REV. JX
REV. JY
REV. JZ
REV. KA
REV. KB
REV. KC
REV. KD
REV. KE
REV. KF
REV. KG
REV. KH
REV. KI
REV. KJ
REV. KK
REV. KL
REV. KM
REV. KN
REV. KO
REV. KP
REV. KQ
REV. KR
REV. KS
REV. KT
REV. KU
REV. KV
REV. KV
REV. KW
REV. KX
REV. KY
REV. KZ
REV. LA
REV. LB
REV. LC
REV. LD
REV. LE
REV. LF
REV. LG
REV. LH
REV. LI
REV. LJ
REV. LK
REV. LL
REV. LM
REV. LN
REV. LO
REV. LP
REV. LQ
REV. LR
REV. LS
REV. LT
REV. LU
REV. LV
REV. LV
REV. LW
REV. LX
REV. LY
REV. LZ
REV. MA
REV. MB
REV. MC
REV. MD
REV. ME
REV. MF
REV. MG
REV. MH
REV. MI
REV. MJ
REV. MK
REV. ML
REV. MM
REV. MN
REV. MO
REV. MP
REV. MQ
REV. MR
REV. MS
REV. MT
REV. MU
REV. MV
REV. MV
REV. MW
REV. MX
REV. MY
REV. MZ
REV. NA
REV. NB
REV. NC
REV. ND
REV. NE
REV. NF
REV. NG
REV. NH
REV. NI
REV. NJ
REV. NK
REV. NL
REV. NM
REV. NN
REV. NO
REV. NP
REV. NQ
REV. NR
REV. NS
REV. NT
REV. NU
REV. NV
REV. NV
REV. NW
REV. NX
REV. NY
REV. NZ
REV. OA
REV. OB
REV. OC
REV. OD
REV. OE
REV. OF
REV. OG
REV. OH
REV. OI
REV. OJ
REV. OK
REV. OL
REV. OM
REV. ON
REV. OO
REV. OP
REV. OQ
REV. OR
REV. OS
REV. OT
REV. OU
REV. OV
REV. OV
REV. OW
REV. OX
REV. OY
REV. OZ
REV. PA
REV. PB
REV. PC
REV. PD
REV. PE
REV. PF
REV. PG
REV. PH
REV. PI
REV. PJ
REV. PK
REV. PL
REV. PM
REV. PN
REV. PO
REV. PP
REV. PQ
REV. PR
REV. PS
REV. PT
REV. PU
REV. PV
REV. PV
REV. PW
REV. PX
REV. PY
REV. PZ
REV. QA
REV. QB
REV. QC
REV. QD
REV. QE
REV. QF
REV. QG
REV. QH
REV. QI
REV. QJ
REV. QK
REV. QL
REV. QM
REV. QN
REV. QO
REV. QP
REV. QQ
REV. QR
REV. QS
REV. QT
REV. QU
REV. QV
REV. QV
REV. QW
REV. QX
REV. QY
REV. QZ
REV. RA
REV. RB
REV. RC
REV. RD
REV. RE
REV. RF
REV. RG
REV. RH
REV. RI
REV. RJ
REV. RK
REV. RL
REV. RM
REV. RN
REV. RO
REV. RP
REV. RQ
REV. RR
REV. RS
REV. RT
REV. RU
REV. RV
REV. RV
REV. RW
REV. RX
REV. RY
REV. RZ
REV. SA
REV. SB
REV. SC
REV. SD
REV. SE
REV. SF
REV. SG
REV. SH
REV. SI
REV. SJ
REV. SK
REV. SL
REV. SM
REV. SN
REV. SO
REV. SP
REV. SQ
REV. SR
REV. SS
REV. ST
REV. SU
REV. SV
REV. SV
REV. SW
REV. SX
REV. SY
REV. SZ
REV. TA
REV. TB
REV. TC
REV. TD
REV. TE
REV. TF
REV. TG
REV. TH
REV. TI
REV. TJ
REV. TK
REV. TL
REV. TM
REV. TN
REV. TO
REV. TP
REV. TQ
REV. TR
REV. TS
REV. TU
REV. TV
REV. TV
REV. TW
REV. TX
REV. TY
REV. TZ
REV. UA
REV. UB
REV. UC
REV. UD
REV. UE
REV. UF
REV. UG
REV. UH
REV. UI
REV. UJ
REV. UK
REV. UL
REV. UM
REV. UN
REV. UO
REV. UP
REV. UQ
REV. UR
REV. US
REV. UT
REV. UU
REV. UV
REV. UV
REV. UW
REV. UX
REV. UY
REV. UZ
REV. VA
REV. VB
REV. VC
REV. VD
REV. VE
REV. VF
REV. VG
REV. VH
REV. VI
REV. VJ
REV. VK
REV. VL
REV. VM
REV. VN
REV. VO
REV. VP
REV. VQ
REV. VR
REV. VS
REV. VT
REV. VU
REV. VV
REV. VV
REV. VW
REV. VX
REV. VY
REV. VZ
REV. WA
REV. WB
REV. WC
REV. WD
REV. WE
REV. WF
REV. WG
REV. WH
REV. WI
REV. WJ
REV. WK
REV. WL
REV. WM
REV. WN
REV. WO
REV. WP
REV. WQ
REV. WR
REV. WS
REV. WT
REV. WU
REV. WV
REV. WV
REV. WW
REV. WX
REV. WY
REV. WZ
REV. XA
REV. XB
REV. XC
REV. XD
REV. XE
REV. XF
REV. XG
REV. XH
REV. XI
REV. XJ
REV. XK
REV. XL
REV. XM
REV. XN
REV. XO
REV. XP
REV. XQ
REV. XR
REV. XS
REV. XT
REV. XU
REV. XV
REV. XV
REV. XW
REV. XX
REV. XY
REV. XZ
REV. YA
REV. YB
REV. YC
REV. YD
REV. YE
REV. YF
REV. YG
REV. YH
REV. YI
REV. YJ
REV. YK
REV. YL
REV. YM
REV. YN
REV. YO
REV. YP
REV. YQ
REV. YR
REV. YS
REV. YT
REV. YU
REV. YV
REV. YV
REV. YW
REV. YX
REV. YY
REV. YZ
REV. ZA
REV. ZB
REV. ZC
REV. ZD
REV. ZE
REV. ZF
REV. ZG
REV. ZH
REV. ZI
REV. ZJ
REV. ZK
REV. ZL
REV. ZM
REV. ZN
REV. ZO
REV. ZP
REV. ZQ
REV. ZR
REV. ZS
REV. ZT
REV. ZU
REV. ZV
REV. ZV
REV. ZW
REV. ZX
REV. ZY
REV. ZZ

This drawing and specifications, herein, are the property of Digital Equipment Corporation and shall not be reproduced or copied or used in whole or in part as the basis for the manufacture or sale of items without written permission.

U 1-0-9012W 2



J2

UU	DSK CYL ADB L	ET1
SS	DSK CYL AD2 L	ER2
PP	DSK CYL AD3 L	EB2
MM	DSK CYL AD16 L	EC2
KK	DSK WRT CLK DATA L	E44-3
HH	DSK CYL AD12A L	EE2
EE	DSK RDY SIR/W L	EL2
CC	DSK CYL AD 32 L	EJ2
AA	DSK DRIVE 0 L	ED2
Y	DSK CYL AD1 L	ES1
W	DSK DRIVE 1 L	ER1
U	DSK CYL AD4 L	EN2
S	DSK DRIVE 2 L	EP1
P	DSK RESTORE L	E49-5
M	DSK DRIVE 3 L	EM1
K	DSK SEC 2 L	E42-4
H	DSK ACKNOWLEDGE L	E42-7
E	DSK SEEK FAIL L	EA2
C	DSK CAPACITY EX L	FC1

J1

D	DSK DATA IN L	ES4-5
F	DSK RD CLK L	ES4-9
V	DSK WRT PROTECT L	ES4-5
L	DSK READ L	E49-3
R	DSK WRT STATUS L	F02
T	DSK SECTOR MK L	ES4-12
Y	DSK FILE RDY L	ES4-6
X	DSK HEAD SEL L	E48-5
Z	DSK INDEX MK L	ES3-11
BB	DSK WRT-ERASE GATE L	ES4-3
DD	DSK SEC 1 L	ES3-9
FF	DSK SEC 4 L	ES3-4
LL	DSK SEC 8 L	ES3-6
RR	DSK STROBE L	E48-3

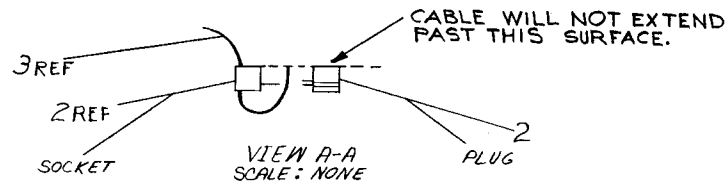
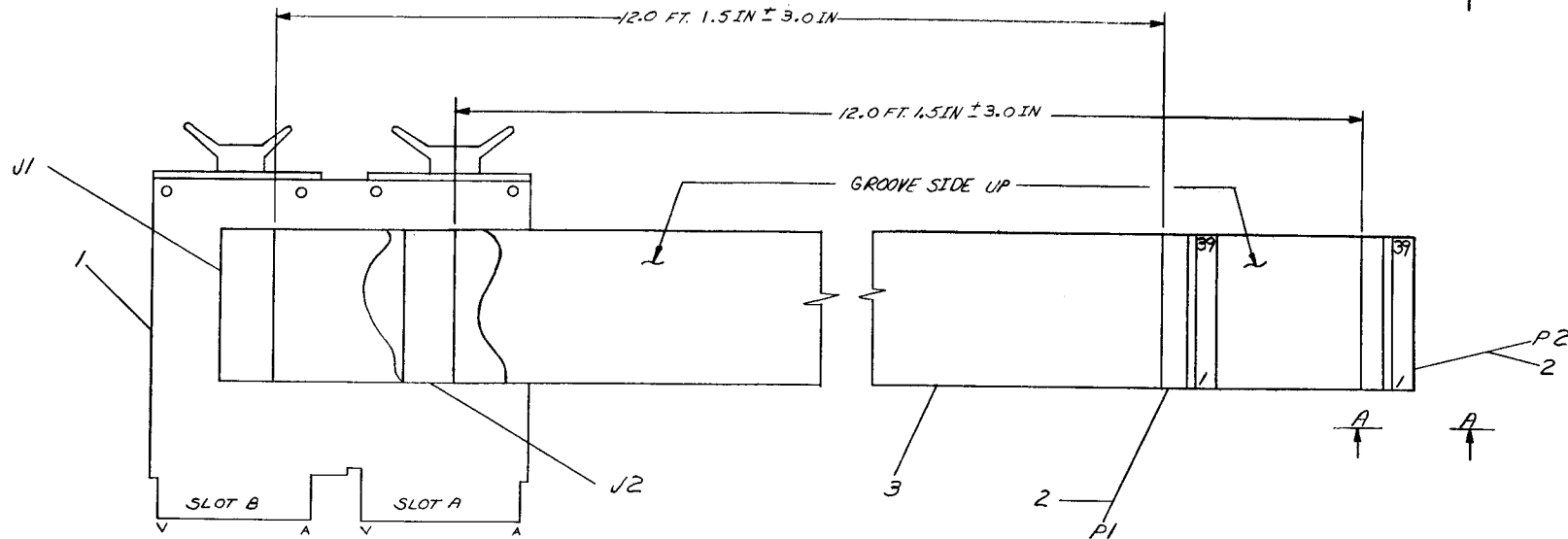
(DRIVE SIGNALS CABLE J2 DRIVERS)

FIRST USED ON OPTION/MODEL	QTY.	DESCRIPTION	PART NO.	ITEM NO.
RK8-E		PARTS LIST		
UNLESS OTHERWISE SPECIFIED DIMENSION IN INCHES TOLERANCES				
DECIMALS	ANGLES	DRN	DATE	 EQUIPMENT CORPORATION MAYNARD MASSACHUSETTS
XXX + .005	± 0° 30'	CHK'D	DATE	
XX + .02		ENG	DATE	
X - .1		PROJ. ENG.	DATE	
REMOVE BURRS AND BREAK SHARP CORNERS SURFACE QUALITY				
MATERIAL		NEXT HIGHER ASSY.		
FINISH		SIZE CODE	NUMBER	REV
		B-12L-RK8-R	D CS M7106-0-1	A.
		SCALE	SHEET 6 OF	DIST.

BRILLING 40-322 18460
 DEC 1 FORM NO. DRD 102-B
 REVISIONS
 CHANGE NO. 001 3/16/78
 CHK. [Signature]

This drawing and specifications, herein, are the property of Digital Equipment Corporation and shall not be reproduced or copied or used in whole or in part as the basis for the manufacture or sale of items without written permission.

NOTES:
 1. CABLE TO BE WIRED WITH GROOVE SIDE UP.
 2. WHEN ATTACHING CONN (ITEM #2) TO CABLE (ITEM #3) USE SCOTCHFLEX LOCATOR PLATE # 3443-24 AND SCOTCHFLEX ASSY. PRESS # 344-5 FROM 3M COMPANY.
 3. TAPE CABLE ≈ EVERY 1.5 FEET.



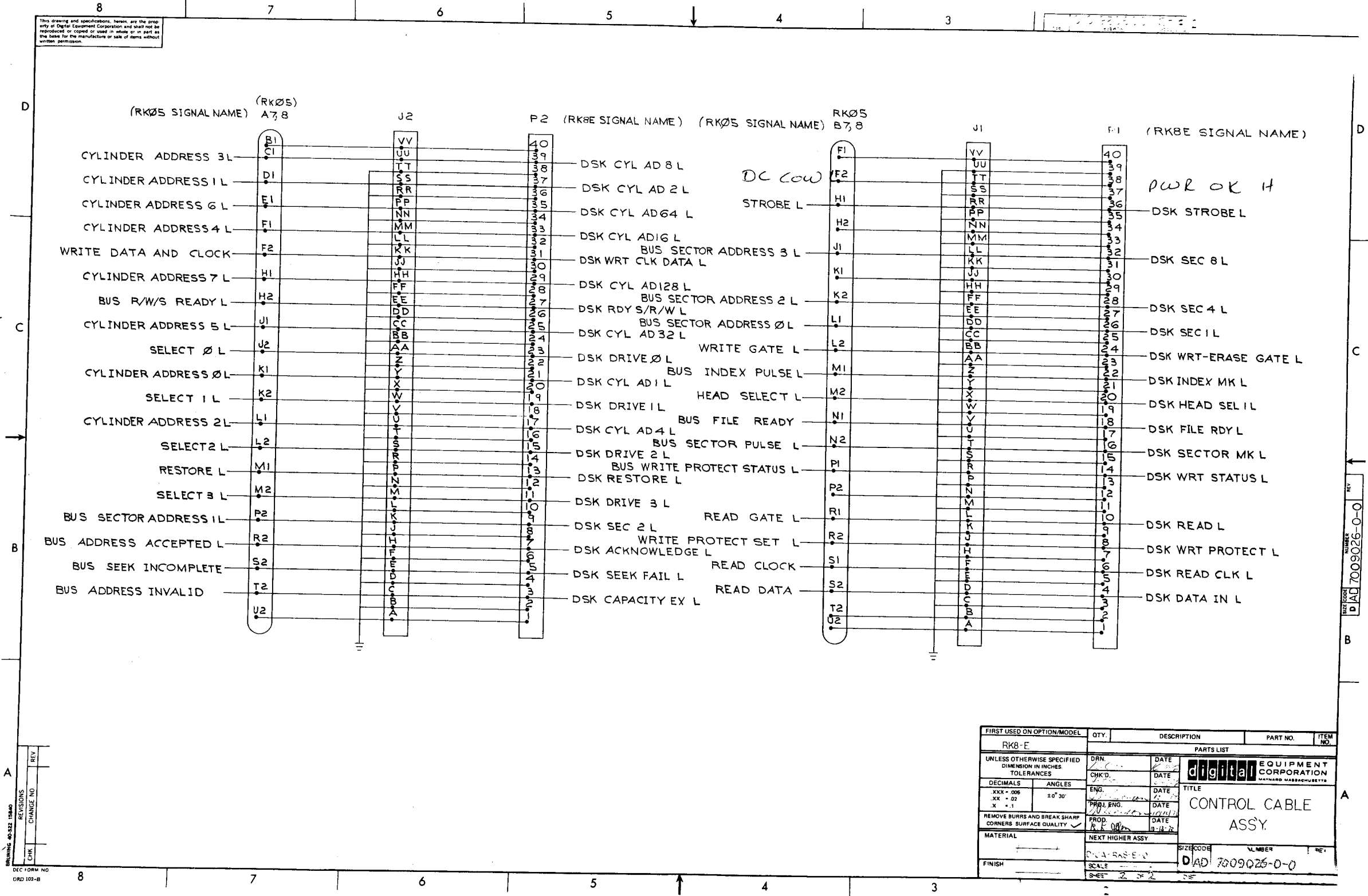
A/R	TAPE, ELECTRICAL WHI	9008880	4
2	CABLE 40 CONDUCTOR 30 ANG	910777-01	3
2	SCOTCHFLEX CONN #3443-24	12/1206	2
1	RK8-E CONTROL CABLE MOD. CS-1433-A-1		1

FIRST USED ON OPTION/MODEL		PARTS LIST	
RK8-E			
UNLESS OTHERWISE SPECIFIED DIMENSION IN INCHES. TOLERANCES	DRN. <i>M. B. R.</i>	DATE <i>8/1/72</i>	 digital EQUIPMENT CORPORATION MAYNARD MASSACHUSETTS
DECIMALS .XXX - .005 .XX - .02 .X - .1	CHK'D.	DATE	
ANGLES ±0° 30'	ENG. <i>[Signature]</i>	DATE	TITLE
REMOVE BURRS AND BREAK SHARP CORNERS SURFACE QUALITY ✓	PROJ. ENG. <i>[Signature]</i>	DATE	CONTROL CABLE ASSY
MATERIAL	PROD. <i>[Signature]</i>	DATE <i>8-13-72</i>	
FINISH	NEXT HIGHER ASSY.		
	D-UA-RK8-E-0	SIZE CODE	NUMBER
	SCALE NONE	D	AD 7009026-0-0
	SHEET 1 OF 2	DIST	

BRUNING 40-107 15848
 REVISIONS
 CHANGE NO.
 REV.

REV. NUMBER
 D AD 7009026-0-0

This drawing and specifications, herein, are the property of Digital Equipment Corporation and shall not be reproduced or copied or used in whole or in part as the basis for the manufacture or sale of items without written permission.



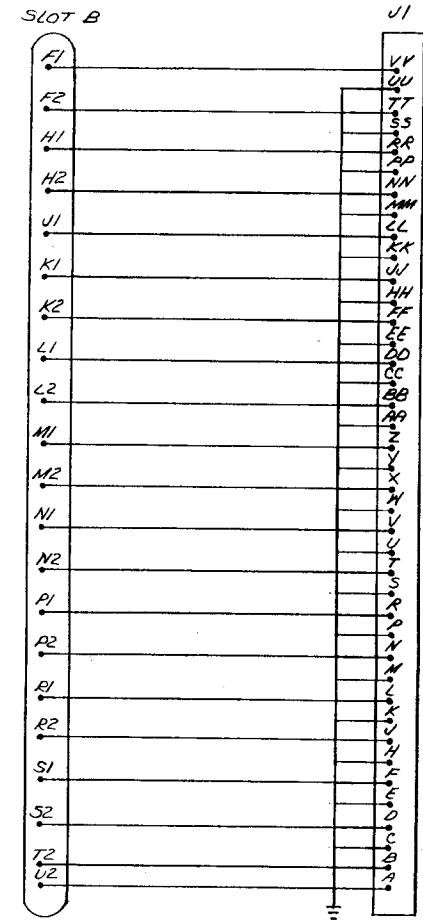
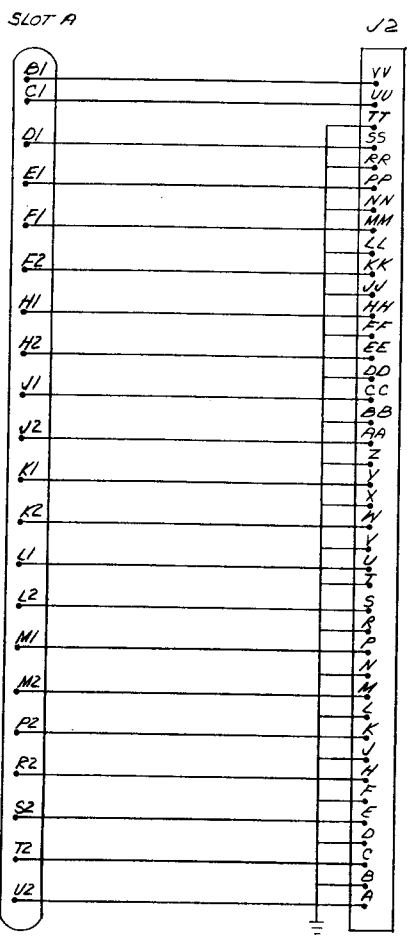
BRUNING 40-522 15840
 DEC FORM NO
 ORD 102-B
 LINK CHANGE NO
 REV

REV
 NUMBER
 D IAD 7009026-0-0

FIRST USED ON OPTION/MODEL	QTY.	DESCRIPTION	PART NO.	ITEM NO.
RK8-E				
UNLESS OTHERWISE SPECIFIED DIMENSION IN INCHES		PARTS LIST		
TOLERANCES		DRN	DATE	 digital EQUIPMENT CORPORATION <small>MAYNARD MASSACHUSETTS</small>
DECIMALS	ANGLES	CHK'D	DATE	
.XXX ± .006	20° 30'	ENG.	DATE	
.XX ± .02		PRG/ENG.	DATE	
REMOVE BURRS AND BREAK SHARP CORNERS SURFACE QUALITY		PROD.	DATE	TITLE
MATERIAL		NEXT HIGHER ASSY.		CONTROL CABLE ASSY.
FINISH		SCALE	SIZE CODE	NUMBER
		1/8"	D IAD 7009026-0-0	

This drawing and specifications, herein, are the property of Digital Equipment Corporation and shall not be reproduced or copied or used in whole or in part as the basis for the manufacture or sale of items without written permission.

REV. 1-0-66 MS93-0-1



BRUNING 40-522 15840
 DEC 1 DRW NO DRD 102-B

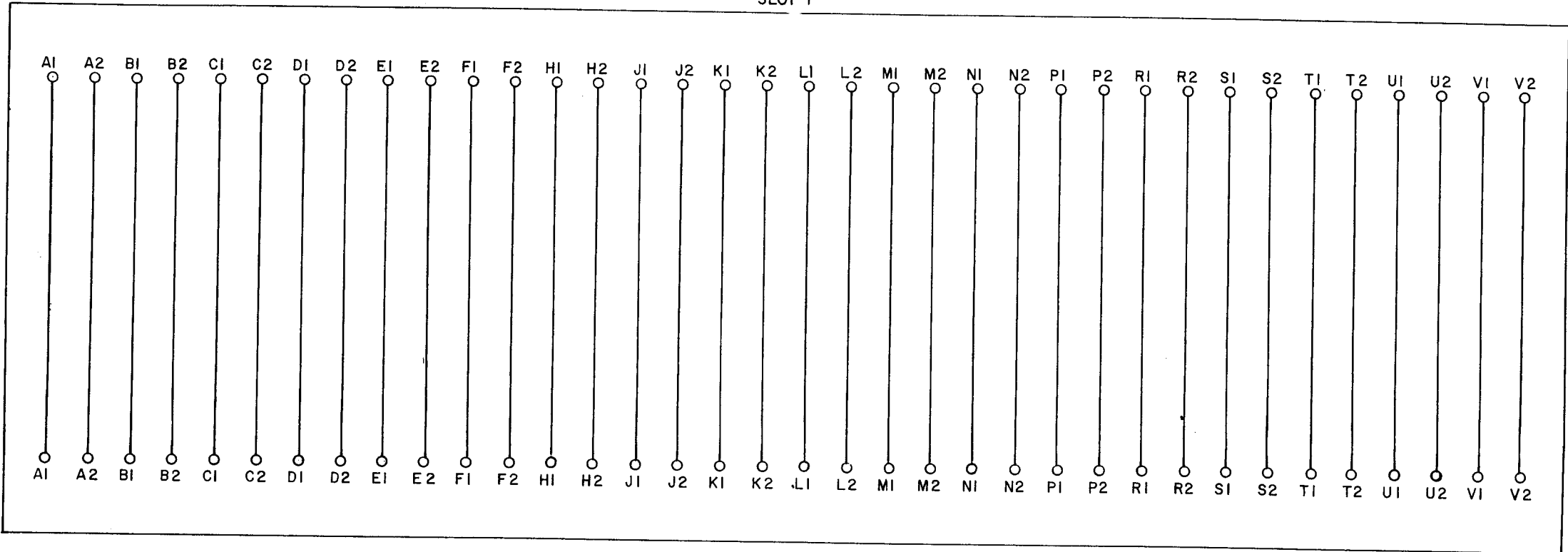
FIRST USED ON OPTION/MODEL RK8-E		QTY.	DESCRIPTION	PART NO.	ITEM NO.
PARTS LIST					
UNLESS OTHERWISE SPECIFIED DIMENSION IN INCHES TOLERANCES		DRN. M. P. P.	DATE 9/1/72	 digital EQUIPMENT CORPORATION <small>NATYARD MASSACHUSETTS</small>	
DECIMALS XXX - 006 XX - 02 X - .1	ANGLES ±0° 30'	CHKD. M. P. P.	DATE 10/13/72		
REMOVE BURRS AND BREAK SHARP CORNERS SURFACE QUALITY		PROD. R. K.	DATE 10-13-72	TITLE RK8 CONTROL CABLE MODULE	
MATERIAL	NEXT HIGHER ASSY.		SIZE CODE D-AD 7009026 0-0	NUMBER D CS M993-0-1	REV.
FINISH	SCALE	SHEET 3 OF 3		DIST.	

REV. 1-0-66 MS93-0-1

THIS SCHEMATIC IS FURNISHED ONLY FOR TEST AND MAINTENANCE PURPOSES. THE CIRCUITS ARE PROPRIETARY IN NATURE AND SHOULD BE TREATED ACCORDINGLY. COPYRIGHT 1970 BY DIGITAL EQUIPMENT CORPORATION

REV. B
 NUMBER H851-0-1
 SIZE CODE B CS

SLOT 1



SLOT 2

UNLESS OTHERWISE INDICATED:
 CONNECTOR IS A 1210152

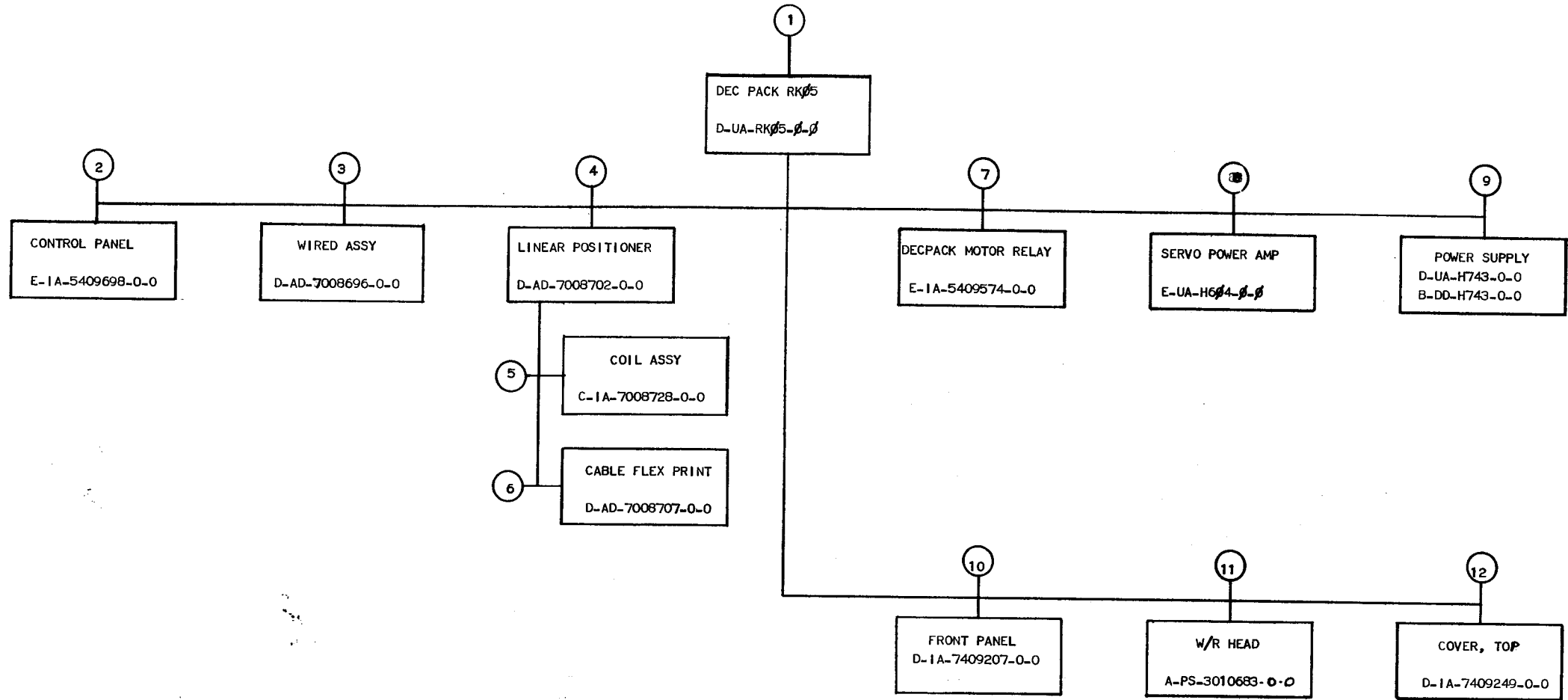
REVISIONS	CHK	CHG NO.	REV.
		00002	B
		B.L. 8-3-78	
		P. GARDNER	
		J.G. 10-1-78	

DRN. jeanne french	DATE 7/29/70
CHK'D <i>[Signature]</i>	DATE 1-29-71
ENG. <i>[Signature]</i>	DATE 1-29-71
PROD.	DATE

TRANSISTOR & DIODE CONVERSION CHART			
DEC	EIA	DEC	EIA

digital
 EQUIPMENT CORPORATION
 MAYNARD, MASSACHUSETTS

TITLE		EDGE CONNECTOR	
		H851	
SIZE	CODE	NUMBER	REV.
B	CS	H851-0-1	B
PRINTED CIRCUIT REV.			C



TITLE	SIZE	CODE	NUMBER	REV
DECPACK ASSY	B	DD	RK05-β	C
SHEET 2 OF 5				

DIGITAL EQUIPMENT CORPORATION WORLD-WIDE SALES AND SERVICE

146 Main Street, Maynard, Massachusetts, U.S.A. 01754
Telephone: From Metropolitan Boston: 646-8600 • Elsewhere: (617)-897-5111
TWX: 710-347-0212 Cable: DIGITAL MAYN Telex: 94-8457

UNITED STATES

NORTHEAST

REGIONAL OFFICE
275 Wyman Street, Waltham, Massachusetts 02154
Telephone: (617)-890-0320/0330 TWX: 710-324-6919

WALTHAM

15 Lunda Street, Waltham, Massachusetts 02154
Telephone: (617)-891-1030 TWX: 710-324-6919

CAMBRIDGE/BOSTON

899 Main Street, Cambridge, Massachusetts 02139
Telephone: (617)-491-6130 TWX: 710-320-1167

ROCHESTER

130 Allens Creek Road, Rochester, New York 14618
Telephone: (716)-461-1700 TWX: 710-253-3078

CONNECTICUT

240 Pomeroy Ave., Meriden, Conn. 06450
Telephone: (203)-237-8441/7466 TWX: 710-461-0054

MID-ATLANTIC — SOUTHEAST

REGIONAL OFFICE:

U.S. Route 1, Princeton, New Jersey 08540
Telephone: (609)-452-2940 TWX: 510-685-2338

NEW YORK

95 Cedar Lane, Englewood, New Jersey 07631
Telephone: (201)-871-4984, (212)-594-6955, (212)-736-0447
TWX: 710-991-9721

NEW JERSEY

1259 Route 46, Parsippany, New Jersey 07054
Telephone: (201)-335-3300 TWX: 710-987-8319

PRINCETON

U.S. Route 1
Princeton, New Jersey 08540
Telephone: (609)-452-2940 TWX: 510-685-2338

LONG ISLAND

1 Huntington Quadrangle
Suite ISO7 Huntington Station, New York 11746
Telephone: (516)-694-4131, (212)-895-8095

PHILADELPHIA

Station Square Three, Paoli, Pennsylvania 19301
Telephone: (215)-647-4900/4410 Telex: 510-668-8395

WASHINGTON

Executive Building
6811 Kenilworth Ave., Riverdale, Maryland 20840
Telephone: (301)-779-1600/752-8787 TWX: 710-826-9662

DURHAM/CHAPEL HILL

2704 Chapel Hill Boulevard
Durham, North Carolina 27707
Telephone: (919)-489-3347 TWX: 510-927-0912

ORLANDO

Suite 130, 7001 Lake Ellenor Drive, Orlando, Florida 32809
Telephone: (305)-851-4450 TWX: 810-850-0180

ATLANTA

2815 Clearview Place, Suite 100,
Atlanta, Georgia 30340
Telephone: (404)-451-3734/3735/3736 TWX: 810-757-4223

INTERNATIONAL

EUROPEAN HEADQUARTERS

Digital Equipment Corporation International Europe
81 Route de l'Aire
1211 Geneva 26, Switzerland
Telephone: 42 79 50 Telex: 22 683

MID-ATLANTIC — SOUTHEAST (cont.)

KNOXVILLE

6311 Kingston Pike, Suite 21E
Knoxville, Tennessee 37919
Telephone: (615)-588-6571 TWX: 810-583-0123

CENTRAL

REGIONAL OFFICE:

1850 Frontage Road, Northbrook, Illinois 60062
Telephone: (312)-498-2500 TWX: 910-686-0655

PITTSBURGH

400 Penn Center Boulevard
Pittsburgh, Pennsylvania 15235
Telephone: (412)-243-9404 TWX: 710-797-3657

CHICAGO

1850 Frontage Road, Northbrook, Illinois 60062
Telephone: (312)-498-2500 TWX: 910-686-0655

ANN ARBOR

230 Huron View Boulevard, Ann Arbor, Michigan 48103
Telephone: (313)-761-1150 TWX: 810-223-6053

INDIANAPOLIS

21 Beachway Drive — Suite G
Indianapolis, Indiana 46224
Telephone: (317)-243-8341 TWX: 810-341-3436

MINNEAPOLIS

Suite 111, 8030 Cedar Avenue South,
Minneapolis, Minnesota 55420
Telephone: (612)-854-6562-3-4-5 TWX: 910-576-2818

CLEVELAND

Park Hill Bldg., 35104 Euclid Ave.
Willoughby, Ohio 44094
Telephone: (216)-946-8464 TWX: 810-427-2608

ST. LOUIS

Suite 110, 115 Progress Pky., Maryland Heights,
Missouri 63043
Telephone: (314)-878-4310 TWX: 910-764-0831

DAYTON

3101 Kettering Blvd., Dayton, Ohio 45439
Telephone: (513)-239-7377 TWX: 810-459-1676

MILWAUKEE

8531 W. Capitol Drive, Milwaukee, Wisconsin 53222
Telephone: (414)-463-9110 TWX: 910-262-1199

DALLAS

8855 North Stemmons Freeway
Dallas, Texas 75247
Telephone: (214)-638-4880 TWX: 910-861-4000

HOUSTON

3417 Milam Street, Suite A, Houston, Texas 77002
Telephone: (713)-524-2961 TWX: 910-881-1651

SWEDEN

Digital Equipment Aktiebolag
STOCKHOLM
Vretenvägen 2, S-171 54 Solna, Sweden
Telephone: 98 13 90 Telex: 170 50
Cable: Digital Stockholm

NEW ZEALAND

Digital Equipment Corporation Ltd.
AUCKLAND
Hilton House, 430 Queen Street, Box 2471 A,
Auckland, New Zealand
Telephone: 75-533

FRANCE

Equipment Digital S.A.R.L.
PARIS
327 Rue de Charenton, 75 Paris 12^{ème}, France
Telephone: 344-76-07 Telex: 21339

GERMANY

Digital Equipment GmbH
MUNICH
8 Muenchen 13, Wallensteinplatz 2
Telephone: 0811-35031 Telex: 524-226

COLOGNE

5 Koeln, Bismarckstrasse 7,
Telephone: 0221-522181 Telex: 888-2269
Telegram: Flip Chip Koeln

FRANKFURT

6078 Neu-Isenburg 2
Am Forsthaus Gravenbruch 5-7
Telephone: 06102-5526 Telex: 41-76-82

HANNOVER

3 Hannover, Podbielskistrasse 102
Telephone: 0511-69-70-95 Telex: 922-952

AUSTRIA

Digital Equipment Corporation Ges.m.b.H.
VIENNA
Mariahilferstrasse 136, 1150 Vienna 15, Austria
Telephone: 85 51 86

UNITED KINGDOM

Digital Equipment Co., Ltd.
BARCELONA
13 Upper Precinct, Walkden, Manchester M28 5AZ
Telephone: 061-790-8411 Telex: 668666

MANCHESTER

13 Upper Precinct, Walkden, Manchester M28 5AZ
Telephone: 061-790-8411 Telex: 668666

LONDON

Bilton House, Uxbridge Road, Ealing, London W.5.
Telephone: 01-579-2334 Telex: 22371

EDINBURGH

Shiel House, Craigshill, Livingston,
West Lothian, Scotland
Telephone: 062-268-3488 TWX: 910-950-4681

PHOENIX

4358 East Broadway Road
Phoenix, Arizona 85040
Telephone: (602) 268-3488 TWX: 910-950-4681

PORTLAND

Suite 168
5319 S.W. Canyon Court, Portland, Ore. 97221
Telephone: (503) 297-3761/3765

BIRMINGHAM

29/31, Birmingham Road, Sutton Coldfield, Warwicks.
Telephone: (0044) 21-355 5501 Telex: 337 060

SEATTLE

1521 130th N.E., Bellevue, Washington 98005
Telephone: (206)-454-4058/455-5404 TWX: 910-443-2306

SALT LAKE CITY

431 South 3rd East, Salt Lake City, Utah 84111
Telephone: (801)-328-9838 TWX: 910-925-5834

NETHERLANDS

The Hague
THE HAGUE
Digital Equipment N.V.
Sir Winston Churchilllaan 370
Rijswijk/The Hague, Netherlands
Telephone: 070-995-160 Telex: 32533

BRUSSELS

Digital Equipment N.V./S.A.
108 Rue D'Arion
1040 Brussels, Belgium
Telephone: 02-139256 Telex: 25297

BRISBANE

139 Merivale Street, South Brisbane
Queensland, Australia 4101
Telephone: 444-047 Telex: AA40616

MELBOURNE

60 Park Street, South Melbourne, Victoria, 3205
Telephone: 696-142 Telex: AA40616

PERTH

643 Murray Street
West Perth, Western Australia 6005
Telephone: 214-993 Telex: AA92140

AUSTRALIA

Digital Equipment Australia Pty. Ltd.
SYDNEY
P.O. Box 491, Crows Nest
N.S.W. Australia 3065
Telephone: 439-2566 Telex: AA20740
Cable: Digital, Sydney

JAPAN

Rikei Trading Co., Ltd. (sales only)
Kozato-Kaikan Bldg.
No. 18-14, Nishi-Shimbashi 1-chome
Minato-Ku, Tokyo, Japan
Telephone: 5915246 Telex: 781-4208
Digital Equipment Corporation International
Kowa Building No. 17, Second Floor
2-7 Nishi-Azabu 1-Chome
Minato-Ku, Tokyo, Japan
Telephone: 404-5894/6 Telex: TK-6428

PHILIPPINES

Stanford Computer Corporation
P.O. Box 1608
416 Dasmariñas St., Manila
Telephone: 49-68-96 Telex: 742-0352

INDIA

H.S. Sonawala Mg Director (Sales Only)
HINDITRON SERVICES PUT LTD.
69/A Nepean Sea Road
Bombay, India

INTERNATIONAL (cont.)

FRANCE

Equipment Digital S.A.R.L.

PARIS

327 Rue de Charenton, 75 Paris 12^{ème}, France
Telephone: 344-76-07 Telex: 21339

GRENOBLE

10 rue Auguste Ravier, F-38 Grenoble, France
Telephone: (76) 87 87 32 Telex: 32 882 F (Code 212)

GERMANY

Digital Equipment GmbH

MUNICH

8 Muenchen 13, Wallensteinplatz 2
Telephone: 0811-35031 Telex: 524-226

COLOGNE

5 Koeln, Bismarckstrasse 7,
Telephone: 0221-522181 Telex: 888-2269
Telegram: Flip Chip Koeln

FRANKFURT

6078 Neu-Isenburg 2
Am Forsthaus Gravenbruch 5-7
Telephone: 06102-5526 Telex: 41-76-82

HANNOVER

3 Hannover, Podbielskistrasse 102
Telephone: 0511-69-70-95 Telex: 922-952

AUSTRIA

Digital Equipment Corporation Ges.m.b.H.
VIENNA
Mariahilferstrasse 136, 1150 Vienna 15, Austria
Telephone: 85 51 86

UNITED KINGDOM

Digital Equipment Co., Ltd.
BARCELONA
13 Upper Precinct, Walkden, Manchester M28 5AZ
Telephone: 061-790-8411 Telex: 668666

MANCHESTER

13 Upper Precinct, Walkden, Manchester M28 5AZ
Telephone: 061-790-8411 Telex: 668666

LONDON

Bilton House, Uxbridge Road, Ealing, London W.5.
Telephone: 01-579-2334 Telex: 22371

EDINBURGH

Shiel House, Craigshill, Livingston,
West Lothian, Scotland
Telephone: 062-268-3488 TWX: 910-950-4681

PHOENIX

4358 East Broadway Road
Phoenix, Arizona 85040
Telephone: (602) 268-3488 TWX: 910-950-4681

PORTLAND

Suite 168
5319 S.W. Canyon Court, Portland, Ore. 97221
Telephone: (503) 297-3761/3765

BIRMINGHAM

29/31, Birmingham Road, Sutton Coldfield, Warwicks.
Telephone: (0044) 21-355 5501 Telex: 337 060

SEATTLE

1521 130th N.E., Bellevue, Washington 98005
Telephone: (206)-454-4058/455-5404 TWX: 910-443-2306

SALT LAKE CITY

431 South 3rd East, Salt Lake City, Utah 84111
Telephone: (801)-328-9838 TWX: 910-925-5834

NETHERLANDS

The Hague
THE HAGUE
Digital Equipment N.V.
Sir Winston Churchilllaan 370
Rijswijk/The Hague, Netherlands
Telephone: 070-995-160 Telex: 32533

BRUSSELS

Digital Equipment N.V./S.A.
108 Rue D'Arion
1040 Brussels, Belgium
Telephone: 02-139256 Telex: 25297

BRISBANE

139 Merivale Street, South Brisbane
Queensland, Australia 4101
Telephone: 444-047 Telex: AA40616

MELBOURNE

60 Park Street, South Melbourne, Victoria, 3205
Telephone: 696-142 Telex: AA40616

PERTH

643 Murray Street
West Perth, Western Australia 6005
Telephone: 214-993 Telex: AA92140

AUSTRALIA

Digital Equipment Australia Pty. Ltd.
SYDNEY
P.O. Box 491, Crows Nest
N.S.W. Australia 3065
Telephone: 439-2566 Telex: AA20740
Cable: Digital, Sydney

JAPAN

Rikei Trading Co., Ltd. (sales only)
Kozato-Kaikan Bldg.
No. 18-14, Nishi-Shimbashi 1-chome
Minato-Ku, Tokyo, Japan
Telephone: 5915246 Telex: 781-4208
Digital Equipment Corporation International
Kowa Building No. 17, Second Floor
2-7 Nishi-Azabu 1-Chome
Minato-Ku, Tokyo, Japan
Telephone: 404-5894/6 Telex: TK-6428

PHILIPPINES

Stanford Computer Corporation
P.O. Box 1608
416 Dasmariñas St., Manila
Telephone: 49-68-96 Telex: 742-0352

INDIA

H.S. Sonawala Mg Director (Sales Only)
HINDITRON SERVICES PUT LTD.
69/A Nepean Sea Road
Bombay, India

NORWAY

Digital Equipment

OSLO

c/o Firma Service
Waldenmarthnesgate 84-B-86
Oslo 1, Norway
Telephone: 37 19 85, 27 02 30 Telex: 166 43

DENMARK

Digital Equipment Corporation
COPENHAGEN
Vesterbrogade 140, 1620 Copenhagen V

SWITZERLAND

Digital Equipment Corporation S.A.

GENEVA

81 Route de l'Aire
1211 Geneva 26, Switzerland
Telephone: 42 79 50 Telex: 22 683

ZURICH

Scheuchzerstrasse 21
CH-8006 Zurich, Switzerland
Telephone: 01/60 35 66 Telex: 56059

ITALY

Digital Equipment S.p.A.

MILAN

Corso Garibaldi 49, 20121 Milano, Italy
Telephone: 872 748 694 394 Telex: 33615

SPAIN

MADRID

Ataio Ingenieros S.A., Enrique Larreta 12, Madrid 16
Telephone: 215 35 43 / Telex: 27249

BARCELONA

Ataio Ingenieros S.A., Ganduxer 76, Barcelona 6
Telephone: 221 44 66
Digital Equipment Corporation Ltd.

AUSTRALIA

SYDNEY

P.O. Box 491, Crows Nest
N.S.W. Australia 3065
Telephone: 439-2566 Telex: AA20740
Cable: Digital, Sydney

JAPAN

TOKYO

Rikei Trading Co., Ltd. (sales only)
Kozato-Kaikan Bldg.
No. 18-14, Nishi-Shimbashi 1-chome
Minato-Ku, Tokyo, Japan
Telephone: 5915246 Telex: 781-4208
Digital Equipment Corporation International
Kowa Building No. 17, Second Floor
2-7 Nishi-Azabu 1-Chome
Minato-Ku, Tokyo, Japan
Telephone: 404-5894/6 Telex: TK-6428

PHILIPPINES