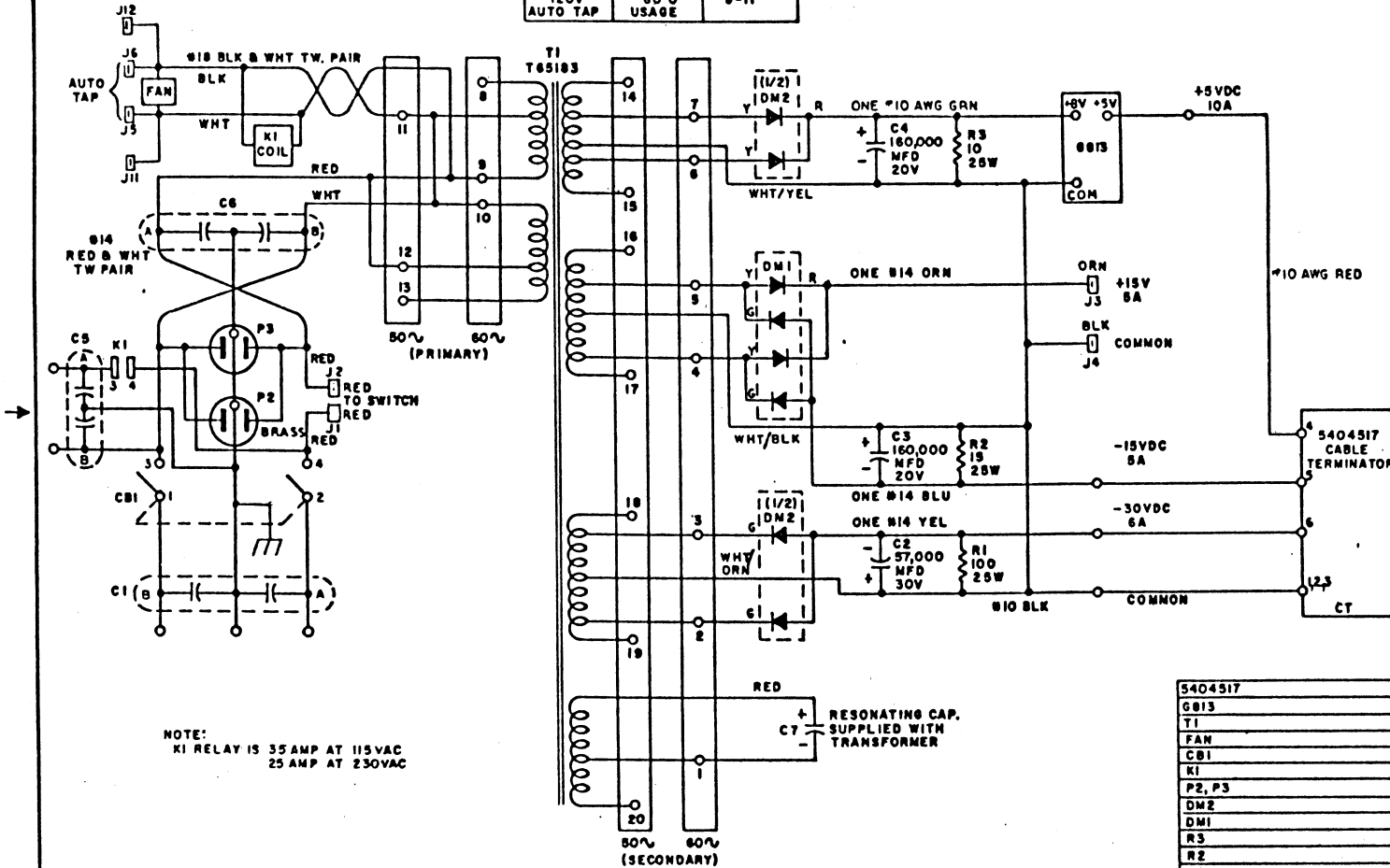


THIS SCHEMATIC IS UNFINISHED ONLY FOR TEST AND MAINTENANCE PURPOSES. THE CIRCUITS ARE PROVISIONAL IN NATURE AND SHOULD BE TREATED ACCORDINGLY. COPYRIGHT 1967 BY DIGITAL EQUIPMENT CORPORATION

INPUT VOLTAGE	JUMPERS	LINE CONNECTIONS
100V 50 $\sim$	12-9, 10-11	9-10
115V 50 $\sim$	9-13, 8-10	9-10
200V 50 $\sim$	11-12	9-10
215V 50 $\sim$	8-12	9-10
230V 50 $\sim$	8-13	9-10
120V 60 $\sim$	9-12, 10-11	9-10
240V 60 $\sim$	11-12	9-10
115V AUTO TAP	80 $\sim$ USAGE	8-9
120V AUTO TAP	80 $\sim$ USAGE	9-11



NOTE:  
K1 RELAY IS 35 AMP AT 115VAC  
25 AMP AT 230VAC

REFERENCE DESIGNATION	DESCRIPTION	PART NO.
5404517	CABLE TERMINATOR	5004516
G813	REGULATOR CONTROL	5004433
T1	TRANSFORMER T-65183	1605651
FAN	FAN-BOXER 50/60 CYCLE	1205761
CB1	CKT. BREAKER 250VAC 60CYCLE	1201218
K1	RELAY EM-1	1202200
P2, P3	PLUG 8160-5 AMPHENOL	1201252
DM2	RECTIFIER DM2 50A10102	1103397
DM1	RECTIFIER DM1	1102933
R3	RES. 10 25W 10% WW	1300173
R2	RES. 15 25W 5% WW	1300181
R1	RES. 100 25W 5% WW	1302888
C3, C4	CAP. 160,000 MFD 20V	1004874
C2	CAP. 57,000 MFD 50V	1004875
C1, C3, C6	CAP. 1MFD 600VDC WCAF-001	1002153
PARTS LIST		A-PL-704-O-O

REVISIONS	DATE	BY	CHKD BY
1	7/04	B	
2	7/04	C	

DATE	BY	CHKD BY
7/04	B	
7/04	C	

TRANSISTOR & DIODE CONVERSION CHART			
DEC	EMA	DEC	EMA

DIGITAL EQUIPMENT CORPORATION		TITLE	
MAYNARD, MASSACHUSETTS		PDP-8 I POWER SUPPLY 704	
SIZE	CODE	NUMBER	REV.
C	CS	704-0-1	1

PINK

REV. CODE NUMBER  
G CS 704-0-1