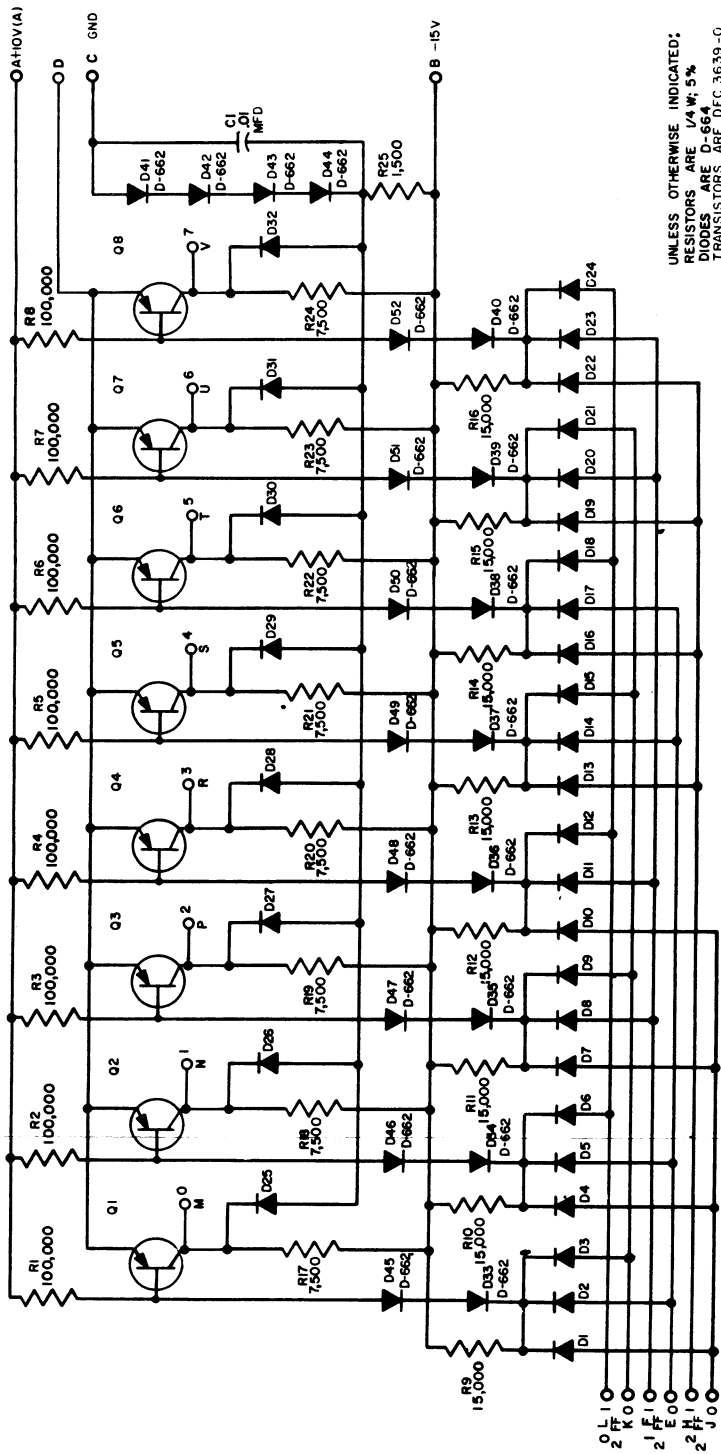


RS-B-R151-3



UNLESS OTHERWISE INDICATED;
RESISTORS ARE 1/4 W; 5%
DIODES ARE D-664
TRANSISTORS ARE DEC 3639-O



TRANSISTOR & DIODE CONVERSION CHART				NOTES
DEC	TRANS	DEC	TRANS	
3639-O	2N3639		2N3639	
664	1N643		1N643	
662	1N662		1N662	
662	1N662		1N662	

1	2	3	4	5	6	7	8	9	0	A	B	C	D	E	F	G	H	I	J	K	L	M	N	O	P	Q	R	S	T	U	V	W	X	Y	Z
---	---	---	---	---	---	---	---	---	---	---	---	---	---	---	---	---	---	---	---	---	---	---	---	---	---	---	---	---	---	---	---	---	---	---	---

B	RS-B-R151	3		

THIS SCHEMATIC IS FURNISHED ONLY FOR TEST AND MAINTENANCE PURPOSES. THE CIRCUITS ARE PROPRIETARY IN NATURE AND SHOULD BE TREATED ACCORDINGLY.
COPYRIGHT 1964 BY DIGITAL EQUIPMENT CORPORATION

BINARY TO OCTAL DECODER R151