



RK05J
Engineering Drawings
Digital Equipment Corporation

The material herein is for information purposes only and is subject to change without notice. Digital Equipment Corporation assumes no responsibility for any errors which may appear herein.

These drawings and specifications herein are the property of Digital Equipment Corporation and shall not be reproduced or copied or used in whole or in part as the basis for the manufacture or sale of items without written permission.
Copyright © 1975, Digital Equipment Corporation

This drawing and specifications, herein, are the property of Digital Equipment Corporation and shall not be reproduced, stored in a retrieval system, or transmitted in any form or by any means, electronic, mechanical, photocopying, recording, or by any information storage and retrieval system, without the prior written permission of Digital Equipment Corporation.

NOTE:
 TERMINATOR OR DISKBUS CABLE CONNECTOR MAY BE INTERCHANGED BETWEEN SLOTS 7 AND 8.

USAGE	1	2	3	4	5	6	7	8
		M7680	M7681	M7700	G938	M953	M930 *	M929
	READ/WRITE	INDEX & SECTOR	CYLINDER ADDRESS & DIFFERENCE	CONTROL & INTERLOCK	POSITION SERVO PREAMP	CHASSIS CONNECTOR	TERMINATOR	DISKBUS CABLE CONNECTOR
USAGE								

* IF MORE THAN ONE DRIVE IS USED, M930 IS REPLACED BY M929 (BC11A), M930 IS USED IN THE LAST DRIVE ON THE BUS.

REV.	CHANGE NO.	DATE	BY
A	RK05-00002	11-12-72	D JENSEN
B	RK05-000066A	11-12-72	D JENSEN
C	RK05-00023	11-12-72	JENSEN
D	RK05-00040	11-12-72	G SCHNEIDER
E	RK05-00007	11-12-72	G SCHNEIDER
F	RK05-00007	11-12-72	S. RADOFF

FIRST USED ON OPTION/MODEL	QTY.	DESCRIPTION	PART NO.	ITEM NO.
RK05				
UNLESS OTHERWISE SPECIFIED DIMENSIONS IN INCHES TOLERANCES DECIMALS ANGLES				
XXX + .005				
XX - .02				
.X - .1				
2.0 - 30				
REMOVE BURRS AND BREAK SHARP CORNERS SURFACE QUALITY				
MATERIAL				
NEXT HIGHER ASSY.				
B-DD-RK05-0				
SCALE NONE				
SHEET OF				
SIZE CODE				
C MU RK05-0-2				
NUMBER				
RK05-0-2				
REV.				
E				

PARTS LIST	
digital EQUIPMENT CORPORATION MAYFORD, MASSACHUSETTS	
TITLE MODULE UTILIZATION	

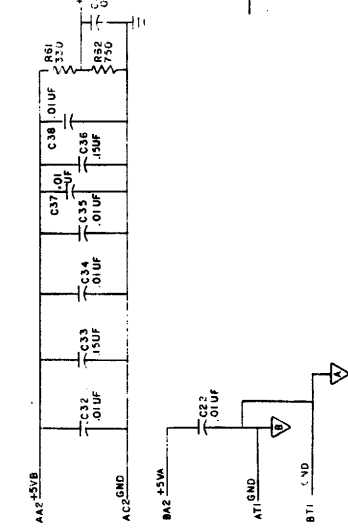
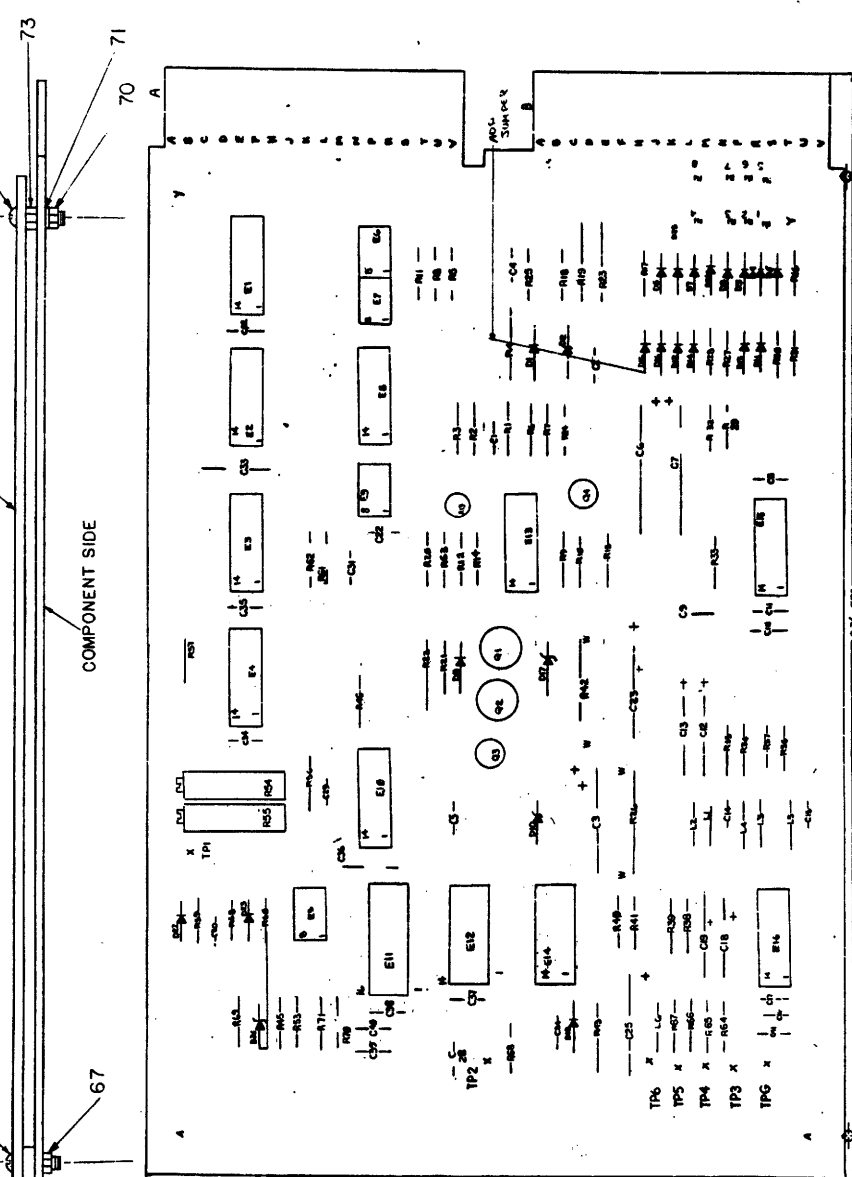
ITEM NO. PART NO. DESCRIPTION QTY. DESCRIPTION PART NO. ITEM NO.

C MU RK05-0-2

1. DIMENSIONS AND SPECIFICATIONS SHOWN ARE THE PROPERTY OF THE MANUFACTURER AND SHALL BE THE BASIS FOR THE MANUFACTURE AND SALE OF THIS PRODUCT. THE MANUFACTURER ASSUMES NO LIABILITY FOR ANY DAMAGE TO EQUIPMENT OR PERSONS CAUSED BY THE USE OF THIS PRODUCT.

NOTES:

- DO NOT INSERT HANDLE HOLE EYELETS ON OUTSIDE HANDLE HOLES: (2 PLCS)



QTY	REF. DESIGNATION	DESCRIPTION	PART NO.	ITEM NO.
1	D1	DIODE IN 753A (V ZENER)	102421	19
1	C1	CAP 15UF 50V 10% TANT	100051	17
1	C2	CAP 10UF 50V 10% TANT	100051	17
1	C3	CAP 10UF 50V 10% TANT	100051	17
1	C4	CAP 10UF 50V 10% TANT	100051	17
1	C5	CAP 10UF 50V 10% TANT	100051	17
1	C6	CAP 10UF 50V 10% TANT	100051	17
1	C7	CAP 10UF 50V 10% TANT	100051	17
1	C8	CAP 10UF 50V 10% TANT	100051	17
1	C9	CAP 10UF 50V 10% TANT	100051	17
1	C10	CAP 10UF 50V 10% TANT	100051	17
1	C11	CAP 10UF 50V 10% TANT	100051	17
1	C12	CAP 10UF 50V 10% TANT	100051	17
1	C13	CAP 10UF 50V 10% TANT	100051	17
1	C14	CAP 10UF 50V 10% TANT	100051	17
1	C15	CAP 10UF 50V 10% TANT	100051	17
1	C16	CAP 10UF 50V 10% TANT	100051	17
1	C17	CAP 10UF 50V 10% TANT	100051	17
1	C18	CAP 10UF 50V 10% TANT	100051	17
1	C19	CAP 10UF 50V 10% TANT	100051	17
1	C20	CAP 10UF 50V 10% TANT	100051	17
1	C21	CAP 10UF 50V 10% TANT	100051	17
1	C22	CAP 10UF 50V 10% TANT	100051	17
1	C23	CAP 10UF 50V 10% TANT	100051	17
1	C24	CAP 10UF 50V 10% TANT	100051	17
1	C25	CAP 10UF 50V 10% TANT	100051	17
1	C26	CAP 10UF 50V 10% TANT	100051	17
1	C27	CAP 10UF 50V 10% TANT	100051	17
1	C28	CAP 10UF 50V 10% TANT	100051	17
1	C29	CAP 10UF 50V 10% TANT	100051	17
1	C30	CAP 10UF 50V 10% TANT	100051	17
1	C31	CAP 10UF 50V 10% TANT	100051	17
1	C32	CAP 10UF 50V 10% TANT	100051	17
1	C33	CAP 10UF 50V 10% TANT	100051	17
1	C34	CAP 10UF 50V 10% TANT	100051	17
1	C35	CAP 10UF 50V 10% TANT	100051	17
1	C36	CAP 10UF 50V 10% TANT	100051	17