



RK05J
Engineering Drawings
Digital Equipment Corporation

The material herein is for information purposes only and is subject to change without notice. Digital Equipment Corporation assumes no responsibility for any errors which may appear herein.

These drawings and specifications herein are the property of Digital Equipment Corporation and shall not be reproduced or copied or used in whole or in part as the basis for the manufacture or sale of items without written permission.

Copyright © 1975, Digital Equipment Corporation



DRAWING DIRECTORY

THIS DRAWING AND SPECIFICATIONS, HEREIN, ARE THE PROPERTY OF DIGITAL EQUIPMENT CORPORATION AND SHALL NOT BE REPRODUCED OR COPIED OR USED IN WHOLE OR IN PART AS THE BASIS FOR THE MANUFACTURE OR SALE OF ITEMS WITHOUT WRITTEN PERMISSION. COPYRIGHT © DIGITAL EQUIPMENT CORPORATION

CUSTOMER PRINT SET INDEX

THIS IS PRINT SET

DRAWING DIRECTORY

SEQUENCE 77 MFG. PRINT SET

SEQUENCE 77

B-DD-RK05J-0 SHEET #1 ONLY

MODULE UTILIZATION LIST

INDEX & SECTOR
CYLINDER ADDRESS & DIFFERENCE
CONTROL & INTERLOCK

POSITION SERVO PREAMP

SERVO POWER AMP CIRCUIT

SERVO POWER AMP

CONTROL PANEL CIRCUIT

CONTROL PANEL

RELAY BOARD CIRCUIT

DECAPACK MOTOR RELAYS

CHASSIS WIRING

ACCESSORY LIST

POWER SUPPLY (H743)

WIRE LIST

MODULE UTILIZATION (PL)

RK05J TESTER

DECAPACK ASSY

DECAPACK ASSY (PL)

WIRED ASSY

LINEAR POSITIONER ASSY

LINEAR POSITIONER ASSY (PL)

H743 POWER SUPPLY

REVISION STATUS

SPACER

A-PL-RK05-0-2

B-DD-RK05J-T

D-UA-RK05J-0-0

A-PL-RK05J-0-0

D-AD-7008696-0-0

D-AD-7008702-0-0

A-PL-7008702-0-0

B-DD-H743-0

A-WT-7008696-0

B-MD-7419064-0-0

PRINT SET

UNIT VARIATIONS

VAR	TITLE	PRINT SET
RK05J-AA	DECAPACK 115V 60HZ	X
RK05J-AB	DECAPACK 230V 60HZ	X
RK05J-BA	DECAPACK 115V 50HZ	X
RK05J-BB	DECAPACK 230V 50HZ	X
RK05J-CA	RK05J-AA W. BEZEL FOR H9500	X
RK05J-CB	CAB 115V 60HZ	X
RK05J-CC	RK05J-AB W. BEZEL FOR H9500	X
RK05J-CD	CAB 230V 60HZ	X
RK05J-DE	RK05J-BA W. BEZEL FOR H9500	X
RK05J-DF	CAB 115V 50HZ	X
RK05J-DH	RK05J-BB W. BEZEL FOR H9500	X
RK05J-DJ	CAB 230V 50HZ	X
	RK05J-AA H960 861 PWR CONTROL	
	RK05J-AB H960 861	
	RK05J-BA H960 861	
	RK05J-BB H960 861	

REV	CHG. NO.	DATE	REVISIONS
1			A.V. RK05-69 AL
2			DWG WAS RK05-0
3			A.V. RK05J-3 AM
4			RK05J-4 AN
5			RK05J-5 AP
6			RK05J-6 AR
7			RK05J-7 AS
8			RK05J-8 AT
9			7-77 RK05J-9 AU
10			8-77 RK05J-10 AV
11			12-77 RK05J-11 AW
12			3-78 RK05J-12 AY
13			1-79 RK05J-13 AZ

USED ON OPTION/MODEL	DRIN.	DATE	TITLE
RK05J	J. FLEMING	1/72	DECAPACK ASSY
	J. FLEMING	5/72	
	PROJ ENG.	DATE	
	A. KARLSBERG	5/72	
	PROD.	DATE	
	A. KARLSBERG	5/72	
	FIELD SERV.	DATE	
	J. WALSH	5/72	

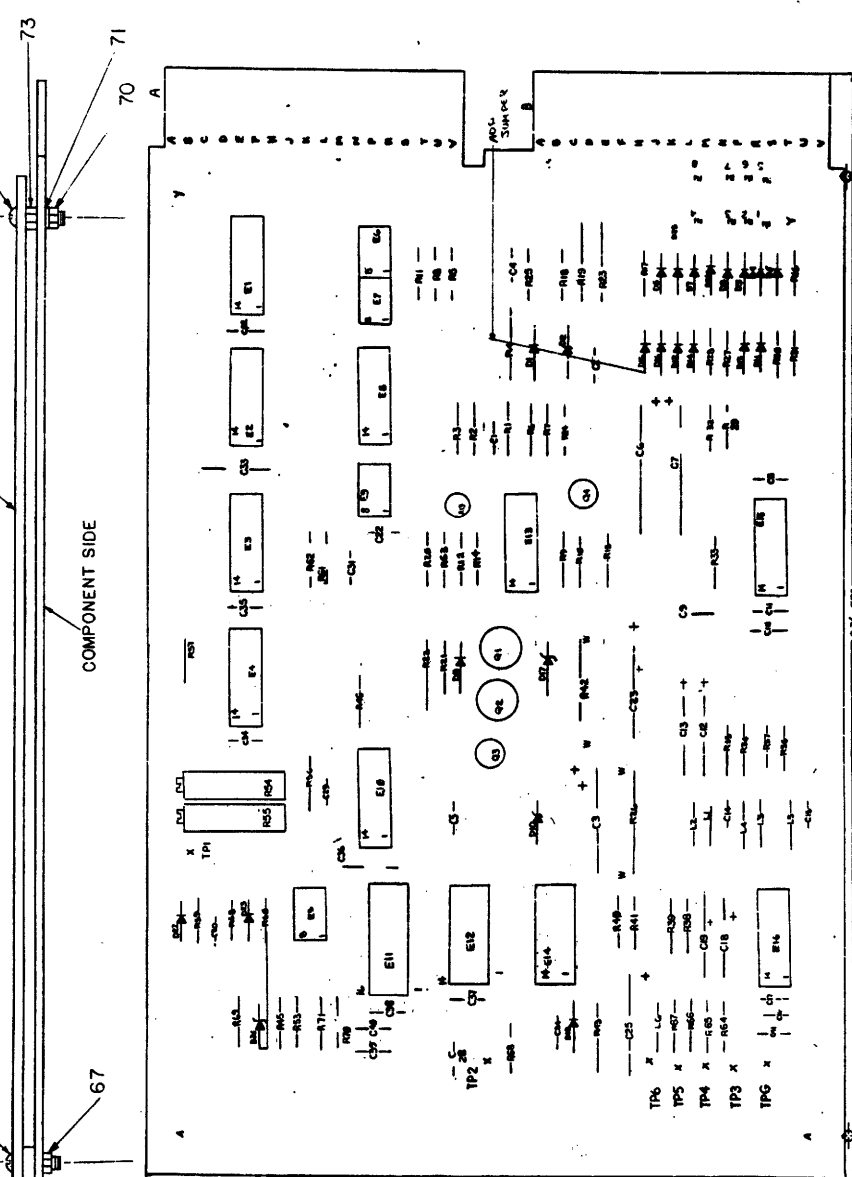
SIZE CODE	NUMBER	REV
B	RK05J 0	AZ

SHEET	OF
1	5

1. DIMENSIONS AND SPECIFICATIONS SHOWN ARE THE PROPERTY OF THE MANUFACTURER AND SHALL BE THE BASIS FOR THE MANUFACTURE AND SALE OF THIS PRODUCT. THE MANUFACTURER ASSUMES NO LIABILITY FOR ANY DAMAGE TO EQUIPMENT OR PERSONS CAUSED BY THE USE OF THIS PRODUCT.

NOTES:

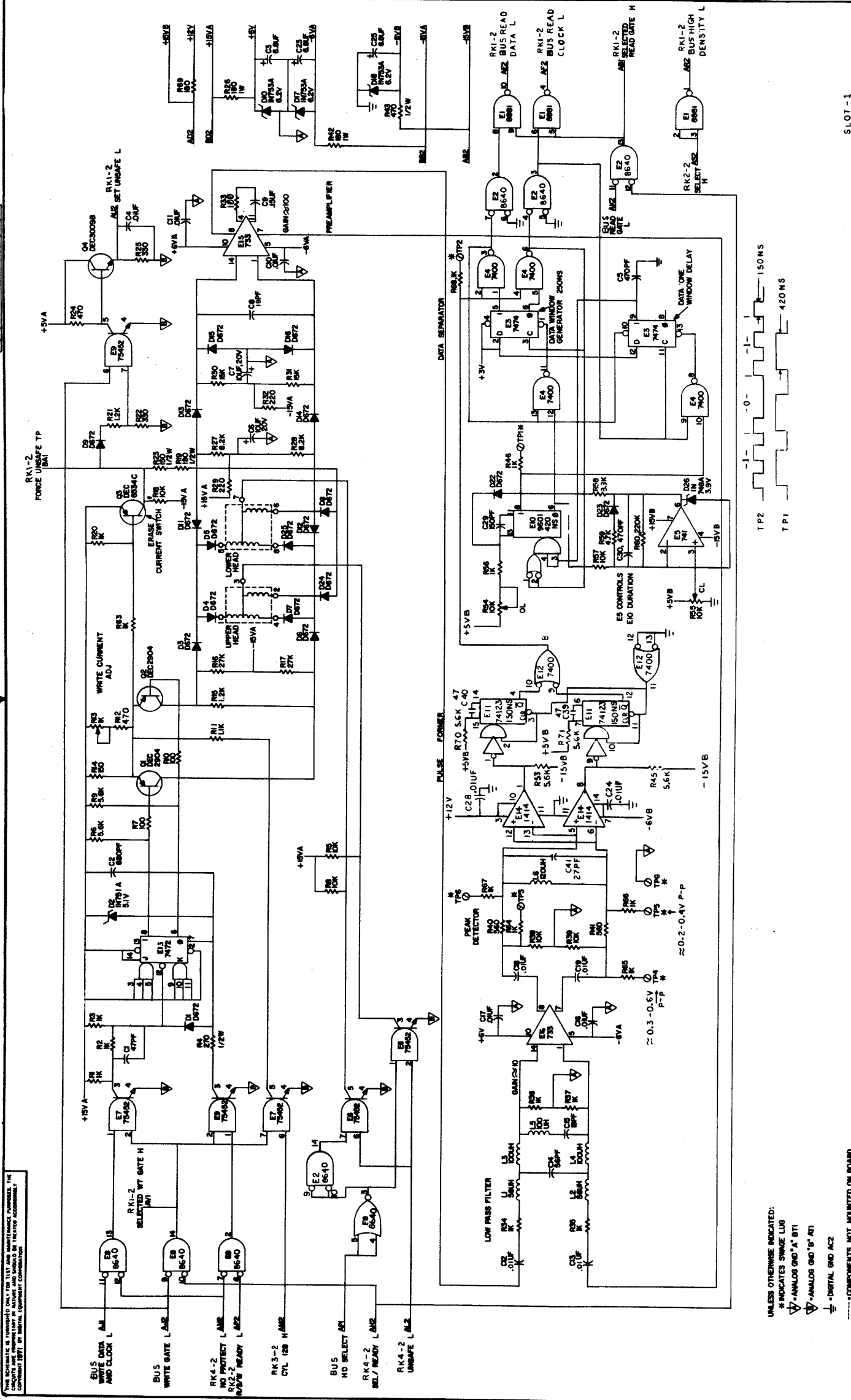
- DO NOT INSERT HANDLE HOLE EYELETS ON OUTSIDE HANDLE HOLES: (2 PLCS)



QTY	REF. DESIGNATION	DESCRIPTION	PART NO.	ITEM NO.
1	D1	DIODE IN 753A (V ZENER)	102421	19
1	C1	CAP 15UF 50V 10% TANT	100051	17
1	C2	CAP 10UF 50V 10% TANT	100051	17
1	C3	CAP 10UF 50V 10% TANT	100051	17
1	C4	CAP 10UF 50V 10% TANT	100051	17
1	C5	CAP 10UF 50V 10% TANT	100051	17
1	C6	CAP 10UF 50V 10% TANT	100051	17
1	C7	CAP 10UF 50V 10% TANT	100051	17
1	C8	CAP 10UF 50V 10% TANT	100051	17
1	C9	CAP 10UF 50V 10% TANT	100051	17
1	C10	CAP 10UF 50V 10% TANT	100051	17
1	C11	CAP 10UF 50V 10% TANT	100051	17
1	C12	CAP 10UF 50V 10% TANT	100051	17
1	C13	CAP 10UF 50V 10% TANT	100051	17
1	C14	CAP 10UF 50V 10% TANT	100051	17
1	C15	CAP 10UF 50V 10% TANT	100051	17
1	C16	CAP 10UF 50V 10% TANT	100051	17
1	C17	CAP 10UF 50V 10% TANT	100051	17
1	C18	CAP 10UF 50V 10% TANT	100051	17
1	C19	CAP 10UF 50V 10% TANT	100051	17
1	C20	CAP 10UF 50V 10% TANT	100051	17
1	C21	CAP 10UF 50V 10% TANT	100051	17
1	C22	CAP 10UF 50V 10% TANT	100051	17
1	C23	CAP 10UF 50V 10% TANT	100051	17
1	C24	CAP 10UF 50V 10% TANT	100051	17
1	C25	CAP 10UF 50V 10% TANT	100051	17
1	C26	CAP 10UF 50V 10% TANT	100051	17
1	C27	CAP 10UF 50V 10% TANT	100051	17
1	C28	CAP 10UF 50V 10% TANT	100051	17
1	C29	CAP 10UF 50V 10% TANT	100051	17
1	C30	CAP 10UF 50V 10% TANT	100051	17
1	C31	CAP 10UF 50V 10% TANT	100051	17
1	C32	CAP 10UF 50V 10% TANT	100051	17
1	C33	CAP 10UF 50V 10% TANT	100051	17
1	C34	CAP 10UF 50V 10% TANT	100051	17
1	C35	CAP 10UF 50V 10% TANT	100051	17
1	C36	CAP 10UF 50V 10% TANT	100051	17
1	C37	CAP 10UF 50V 10% TANT	100051	17
1	C38	CAP 10UF 50V 10% TANT	100051	17
1	C39	CAP 10UF 50V 10% TANT	100051	17
1	C40	CAP 10UF 50V 10% TANT	100051	17
1	C41	CAP 10UF 50V 10% TANT	100051	17
1	C42	CAP 10UF 50V 10% TANT	100051	17
1	C43	CAP 10UF 50V 10% TANT	100051	17
1	C44	CAP 10UF 50V 10% TANT	100051	17
1	C45	CAP 10UF 50V 10% TANT	100051	17
1	C46	CAP 10UF 50V 10% TANT	100051	17
1	C47	CAP 10UF 50V 10% TANT	100051	17
1	C48	CAP 10UF 50V 10% TANT	100051	17
1	C49	CAP 10UF 50V 10% TANT	100051	17
1	C50	CAP 10UF 50V 10% TANT	100051	17
1	C51	CAP 10UF 50V 10% TANT	100051	17
1	C52	CAP 10UF 50V 10% TANT	100051	17
1	C53	CAP 10UF 50V 10% TANT	100051	17
1	C54	CAP 10UF 50V 10% TANT	100051	17
1	C55	CAP 10UF 50V 10% TANT	100051	17
1	C56	CAP 10UF 50V 10% TANT	100051	17
1	C57	CAP 10UF 50V 10% TANT	100051	17
1	C58	CAP 10UF 50V 10% TANT	100051	17
1	C59	CAP 10UF 50V 10% TANT	100051	17
1	C60	CAP 10UF 50V 10% TANT	100051	17
1	C61	CAP 10UF 50V 10% TANT	100051	17
1	C62	CAP 10UF 50V 10% TANT	100051	17
1	C63	CAP 10UF 50V 10% TANT	100051	17
1	C64	CAP 10UF 50V 10% TANT	100051	17
1	C65	CAP 10UF 50V 10% TANT	100051	17
1	C66	CAP 10UF 50V 10% TANT	100051	17
1	C67	CAP 10UF 50V 10% TANT	100051	17
1	C68	CAP 10UF 50V 10% TANT	100051	17
1	C69	CAP 10UF 50V 10% TANT	100051	17
1	C70	CAP 10UF 50V 10% TANT	100051	17
1	C71	CAP 10UF 50V 10% TANT	100051	17
1	C72	CAP 10UF 50V 10% TANT	100051	17
1	C73	CAP 10UF 50V 10% TANT	100051	17
1	C74	CAP 10UF 50V 10% TANT	100051	17
1	C75	CAP 10UF 50V 10% TANT	100051	17
1	C76	CAP 10UF 50V 10% TANT	100051	17
1	C77	CAP 10UF 50V 10% TANT	100051	17
1	C78	CAP 10UF 50V 10% TANT	100051	17
1	C79	CAP 10UF 50V 10% TANT	100051	17
1	C80	CAP 10UF 50V 10% TANT	100051	17
1	C81	CAP 10UF 50V 10% TANT	100051	17
1	C82	CAP 10UF 50V 10% TANT	100051	17
1	C83	CAP 10UF 50V 10% TANT	100051	17
1	C84	CAP 10UF 50V 10% TANT	100051	17
1	C85	CAP 10UF 50V 10% TANT	100051	17
1	C86	CAP 10UF 50V 10% TANT	100051	17
1	C87	CAP 10UF 50V 10% TANT	100051	17
1	C88	CAP 10UF 50V 10% TANT	100051	17
1	C89	CAP 10UF 50V 10% TANT	100051	17
1	C90	CAP 10UF 50V 10% TANT	100051	17
1	C91	CAP 10UF 50V 10% TANT	100051	17
1	C92	CAP 10UF 50V 10% TANT	100051	17
1	C93	CAP 10UF 50V 10% TANT	100051	17
1	C94	CAP 10UF 50V 10% TANT	100051	17
1	C95	CAP 10UF 50V 10% TANT	100051	17
1	C96	CAP 10UF 50V 10% TANT	100051	17
1	C97	CAP 10UF 50V 10% TANT	100051	17
1	C98	CAP 10UF 50V 10% TANT	100051	17
1	C99	CAP 10UF 50V 10% TANT	100051	17
1	C100	CAP 10UF 50V 10% TANT	100051	17

ETCH BOARD REV.	REV.	DESCRIPTION
1	1	INITIAL
2	2	REVISED
3	3	REVISED
4	4	REVISED
5	5	REVISED
6	6	REVISED
7	7	REVISED
8	8	REVISED
9	9	REVISED
10	10	REVISED
11	11	REVISED
12	12	REVISED
13	13	REVISED
14	14	REVISED
15	15	REVISED
16	16	REVISED
17	17	REVISED
18	18	REVISED
19	19	REVISED
20	20	REVISED
21	21	REVISED
22	22	REVISED
23	23	REVISED
24	24	REVISED
25	25	REVISED
26	26	REVISED
27	27	REVISED
28	28	REVISED
29	29	REVISED
30	30	REVISED
31	31	REVISED
32	32	REVISED
33	33	REVISED
34	34	REVISED
35	35	REVISED
36	36	REVISED
37	37	REVISED
38	38	REVISED
39	39	REVISED
40	40	REVISED
41	41	REVISED
42	42	REVISED
43	43	REVISED
44	44	REVISED
45	45	REVISED
46	46	REVISED
47	47	REVISED
48	48	REVISED
49	49	REVISED
50	50	REVISED
51	51	REVISED
52	52	REVISED
53	53	REVISED
54	54	REVISED
55	55	REVISED
56	56	REVISED
57	57	REVISED
58	58	REVISED
59	59	REVISED
60	60	REVISED
61	61	REVISED
62	62	REVISED
63	63	REVISED
64	64	REVISED
65	65	REVISED
66	66	REVISED
67	67	REVISED
68	68	REVISED
69	69	REVISED
70	70	REVISED
71	71	REVISED
72	72	REVISED
73	73	REVISED
74	74	REVISED
75	75	REVISED
76	76	REVISED
77	77	REVISED
78	78	REVISED
79	79	REVISED
80	80	REVISED
81	81	REVISED
82	82	REVISED
83	83	REVISED
84	84	REVISED
85	85	REVISED
86	86	REVISED
87	87	REVISED
88	88	REVISED
89	89	REVISED
90	90	REVISED
91	91	REVISED
92	92	REVISED
93	93	REVISED
94	94	REVISED
95	95	REVISED
96	96	REVISED
97	97	REVISED
98	98	REVISED
99	99	REVISED
100	100	REVISED

ETCH BOARD REV.	REV.	DESCRIPTION
1	1	INITIAL
2	2	REVISED
3	3	REVISED
4	4	REVISED
5	5	REVISED
6	6	REVISED
7	7	REVISED
8	8	REVISED
9	9	REVISED
10	10	REVISED
11	11	REVISED
12	12	REVISED
13	13	REVISED
14	14	REVISED
15	15	REVISED
16	16	REVISED
17	17	REVISED
18	18	REVISED
19	19	REVISED
20	20	REVISED
21	21	REVISED
22	22	REVISED
23	23	REVISED
24	24	REVISED
25	25	REVISED
26	26	REVISED
27	27	REVISED
28	28	REVISED
29	29	REVISED
30	30	REVISED
31	31	REVISED
32	32	REVISED
33	33	REVISED
34	34	REVISED
35	35	REVISED
36	36	REVISED
37	37	REVISED
38	38	REVISED
39	39	REVISED
40	40	REVISED
41	41	REVISED
42	42	REVISED
43	43	REVISED
44	44	REVISED
45	45	REVISED
46	46	REVISED
47	47	REVISED
48	48	REVISED
49	49	REVISED



UNLESS OTHERWISE INDICATED:
 * INDICATES SWAGE LUG
 ▽ - ANALOG GND "A" BTI
 ▽ - ANALOG GND "B" ATI
 ⊥ - DIGITAL GND AC2
 --- - COMPONENTS NOT MOUNTED ON BOARD
 ALL TIMES INDICATED ARE NOMINAL

TP2 -1- 0- 1- 150 NS
 TP1 -1- 0- 1- 420 NS

RESISTOR VALUE CODES: 100, 1K, 10K, 100K, 1M, 10M, 100M, 1G, 10G, 100G, 1T, 10T, 100T, 1G, 10G, 100G, 1T, 10T, 100T

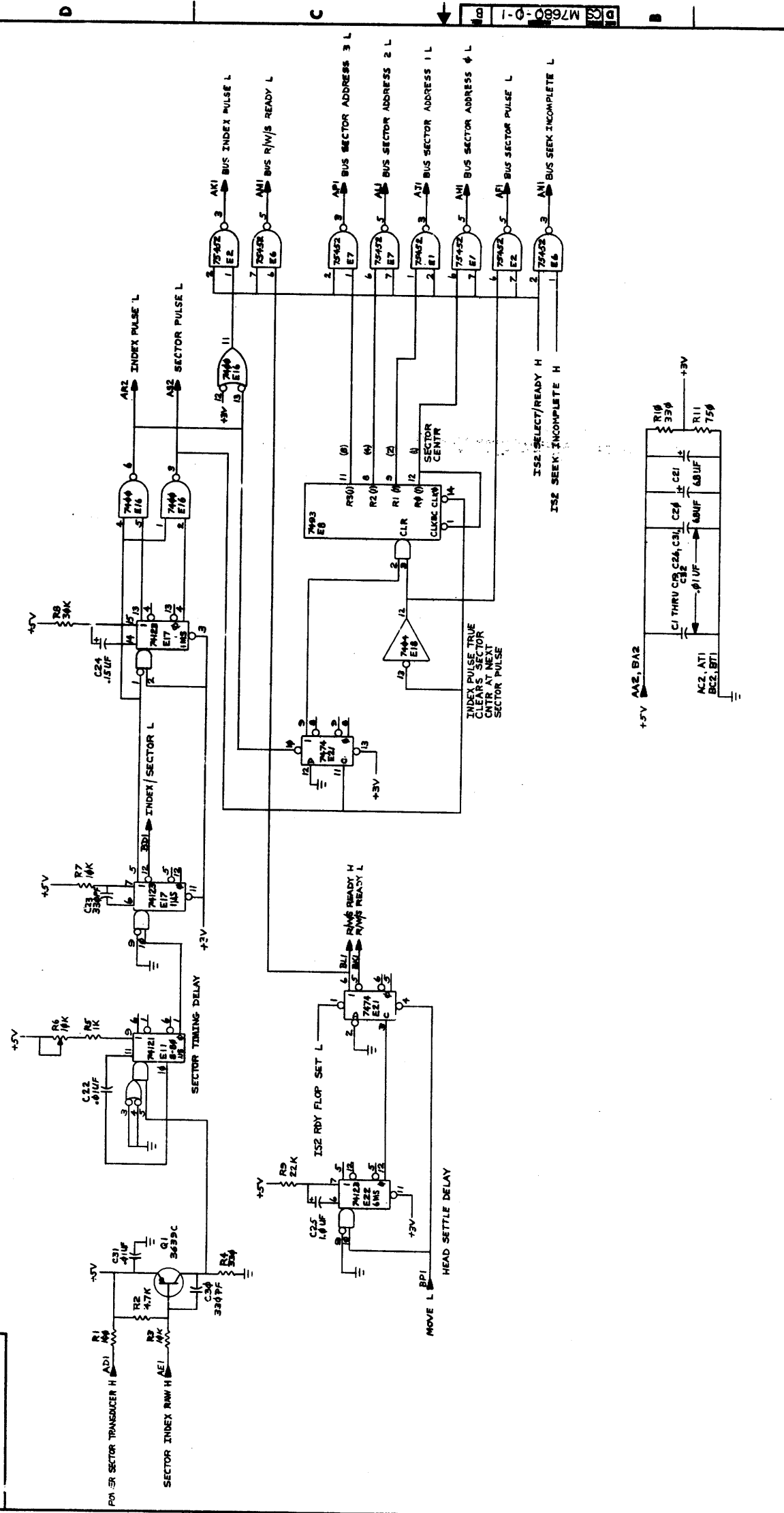
CAPACITOR VALUE CODES: 100, 1K, 10K, 100K, 1M, 10M, 100M, 1G, 10G, 100G, 1T, 10T, 100T

TRANSISTOR & DIODE CONVERSION CHART

MANUFACTURER	PART NUMBER	DEC EQUIVALENT
1N4148	1N4148	1N4148
2N2222	2N2222	2N2222
2N3638	2N3638	2N3638
2N4351	2N4351	2N4351
2N4352	2N4352	2N4352
2N4353	2N4353	2N4353
2N4354	2N4354	2N4354
2N4355	2N4355	2N4355
2N4356	2N4356	2N4356
2N4357	2N4357	2N4357
2N4358	2N4358	2N4358
2N4359	2N4359	2N4359
2N4360	2N4360	2N4360
2N4361	2N4361	2N4361
2N4362	2N4362	2N4362
2N4363	2N4363	2N4363
2N4364	2N4364	2N4364
2N4365	2N4365	2N4365
2N4366	2N4366	2N4366
2N4367	2N4367	2N4367
2N4368	2N4368	2N4368
2N4369	2N4369	2N4369
2N4370	2N4370	2N4370
2N4371	2N4371	2N4371
2N4372	2N4372	2N4372
2N4373	2N4373	2N4373
2N4374	2N4374	2N4374
2N4375	2N4375	2N4375
2N4376	2N4376	2N4376
2N4377	2N4377	2N4377
2N4378	2N4378	2N4378
2N4379	2N4379	2N4379
2N4380	2N4380	2N4380
2N4381	2N4381	2N4381
2N4382	2N4382	2N4382
2N4383	2N4383	2N4383
2N4384	2N4384	2N4384
2N4385	2N4385	2N4385
2N4386	2N4386	2N4386
2N4387	2N4387	2N4387
2N4388	2N4388	2N4388
2N4389	2N4389	2N4389
2N4390	2N4390	2N4390
2N4391	2N4391	2N4391
2N4392	2N4392	2N4392
2N4393	2N4393	2N4393
2N4394	2N4394	2N4394
2N4395	2N4395	2N4395
2N4396	2N4396	2N4396
2N4397	2N4397	2N4397
2N4398	2N4398	2N4398
2N4399	2N4399	2N4399
2N4400	2N4400	2N4400

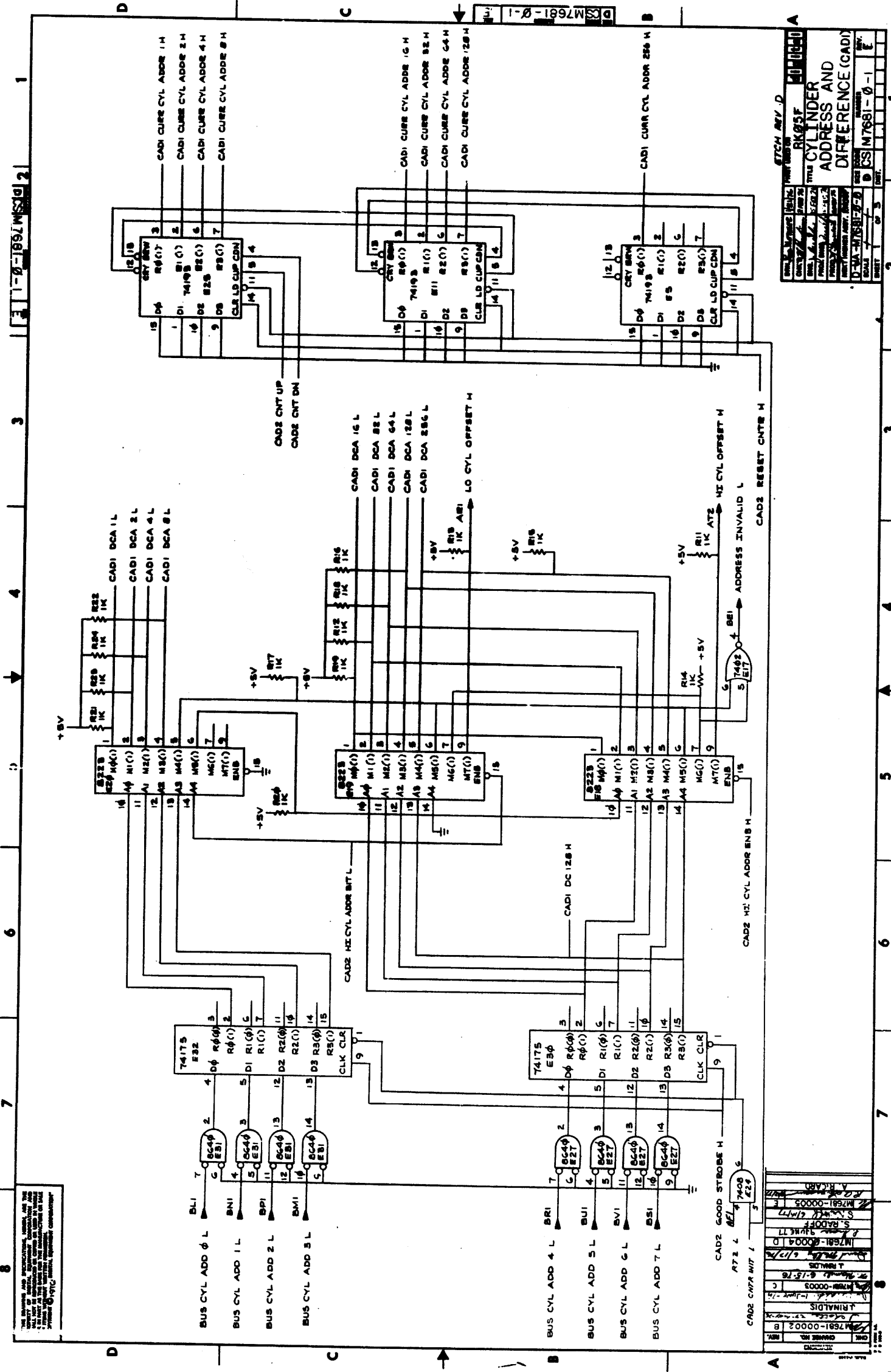
FILE: DEC PACK READ/WRITE
 SHEET: 2 OF 2

DATE	22 JUN 68	REV.	B
CHKD BY	J. J. GIBSON	SCALE	1 OF 2
DRN	J. J. GIBSON	SHEET	2
TITLE			
DEC PACK INDEX AND SECTOR			
PART NUMBER			
D-CA-117559-0-0			
REV. B			
D-CA-117559-0-1			
REV. B			



FOR 5R SECTOR TRANSDUCER H ADI
 SECTOR INDEX RIM H AEI
 3639C
 330PF

DATE	11-18-68	REV.	1
CHKD BY	S. RADOFF	SCALE	1 OF 1
DRN	S. RADOFF	SHEET	1
TITLE			
DEC PACK INDEX AND SECTOR			
PART NUMBER			
D-CA-117559-0-0			
REV. B			
D-CA-117559-0-1			
REV. B			



THIS DRAWING AND ANY INFORMATION CONTAINED HEREIN IS UNCLASSIFIED EXCEPT WHERE SHOWN OTHERWISE. IT IS THE PROPERTY OF THE NATIONAL AERONAUTICS AND SPACE ADMINISTRATION AND IS LOANED TO YOUR AGENCY. IT AND ITS CONTENTS ARE NOT TO BE DISTRIBUTED OUTSIDE YOUR AGENCY WITHOUT THE EXPRESS WRITTEN PERMISSION OF THE NATIONAL AERONAUTICS AND SPACE ADMINISTRATION.

REV	DATE	BY	CHKD	APP'D
1				
2				
3				
4				
5				
6				
7				
8				

REV	DATE	BY	CHKD	APP'D
1				
2				
3				
4				
5				
6				
7				
8				

REV	DATE	BY	CHKD	APP'D
1				
2				
3				
4				
5				
6				
7				
8				

REV	DATE	BY	CHKD	APP'D
1				
2				
3				
4				
5				
6				
7				
8				

CS M7681-0-1

1-0-10777MSJ 2

3

2

1

1

1

1

1

1

1

1

1

1

1

1

1

1

1

1

1

1

1

1

1

1

1

1

1

1

1

1

1

1

1

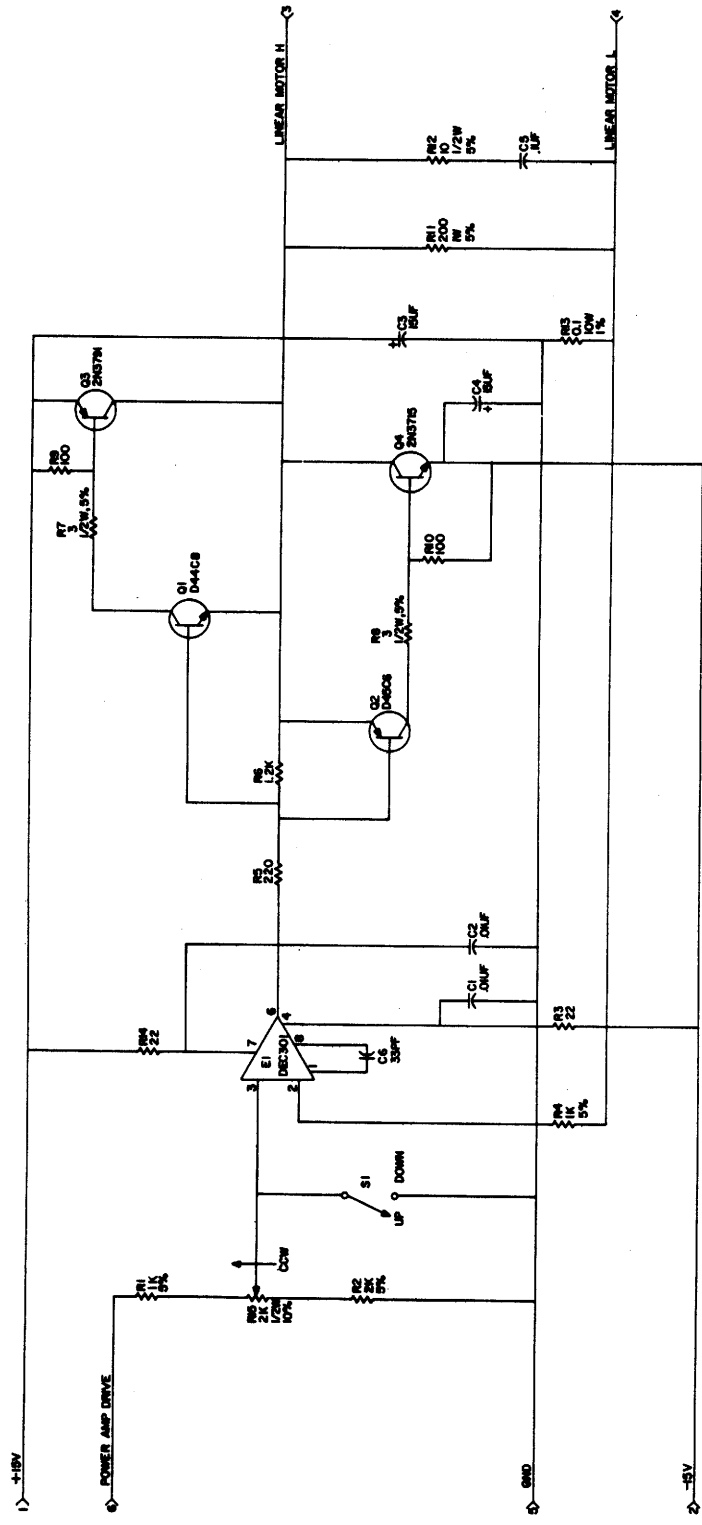
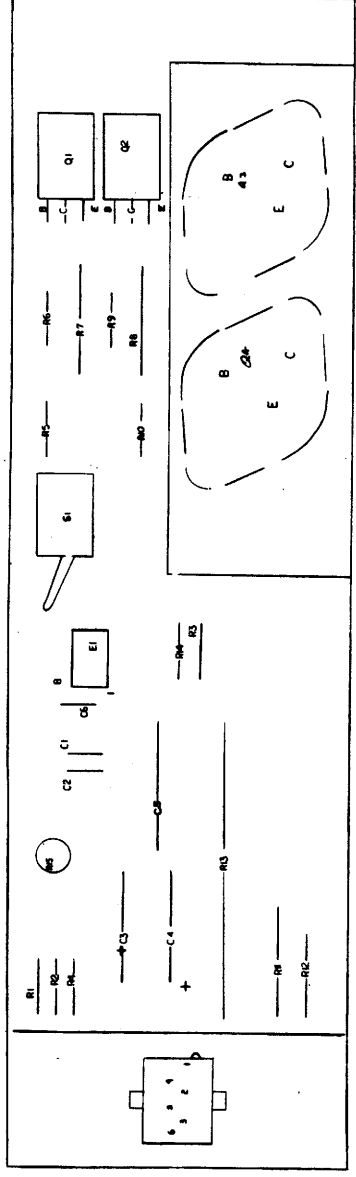
1

1

QTY	REF DESIGNATION	DESCRIPTION	PART NO.	ITEM NO.
		X-Y COORDINATE HOLE LOCATION	K-00-47701-0-4	1
		ASSY/DRILLING HOLE LAYOUT	E-44-47701-0-5	2
		MODULE ECO HISTORY	B-44-47701-0-6	3
		ETCHED CIRCUIT BOARD	5003714	4
25	C1-C20, C25-C27, C30, C31	CAP. .01 UF. 18V. 20%. DISC	1001810	5
1	C21	CAP. .15 UF. 20V. 20%. TANT	1004812	6
1	C22	CAP. .10 UF. 20V. 20%. TANT	1004513	7
1	C23	CAP. .15 UF. 35V. 20%. TANT	1007180	8
2	C28, C29	CAP. 470 PF. 18V. 5%. DM	1000024	9
1	D8	DIODE. DM84	1100114	10
2	D1, D11	DIODE. D070	1102182	11
2	D9, D10	DIODE. 1N4001	1102842	12
1	D6	DIODE. 1N746A. 3.3V	1104480	13
1	D4	DIODE. 1N740. 3.9V	1100121	14
2	D5, D7	DIODE. 1N7585. 12V	1110843	15
A/R		CHIPLETS	1210244-9	16
1	R27	RES. 100 OHMS. 1/4". 5%	1300229	17
2	R2, R3	RES. 330 OHMS. 1/4". 5%	1300295	18
2	R18, R19	RES. 470 OHMS. 1/4". 5%	1300316	19
1	R1	RES. 750 OHMS. 1/4". 5%	1301401	20
9	R12, R13, R15, R20, R24, R25, R28, R29, R14	RES. .1K. 1/4". 5%	1300385	21
1	R28	RES. 1.5K. 1/4". 5%	1300391	22
1	R4	RES. 680 OHMS. 1/4". 5%	1301424	23
2	R11, R21	RES. 47K. 1/4". 5%	1300447	24
1	R10	RES. 5.6K. 1/4". 5%	1301974	25
5	R5, R6, R17, R22, R23	RES. 10K. 1/4". 5%	1300459	26
2	R7, R10	RES. 1M. 1/4". 5%	1300595	28
1	R6	RES. 10 M. 1/4". 5%	1302668	30
1	R9	RES. 10 K. 1/4". 10%. 78 PR	1300143-10	31
1	Q4	TRANSISTOR. DEC 8531	1500338	32
1	Q1	TRANSISTOR. DEC 2218	1501801	33
1	Q3	TRANSISTOR. DEC 85340	1502408-00	34
1	Q2	TRANSISTOR. DEC 4403	151671	35
4	E3, E7, E10, E14	I.C.. DEC 7400	1005575	36
1	E20	I.C.. DEC 7402	1000004	37
2	E11, E8	I.C.. DEC 7404	1000806	38
2	E12, E10	I.C.. DEC 7410	1005578	39
2	E9, E15	I.C.. DEC 7474	1005547	40
2	E22, E17	I.C.. DEC 7483	1000054	41
2	E21, E13	I.C.. DEC 74123	1010436	42
8	E2, E4, E6, E5, E18, E19	I.C.. DEC 75451	1010206	43
1	E1	I.C.. DEC 301	1010282	44
4		EYELET #6SL-7	9008732	45
2		HANDLE FLIP CHIP - MAGENTA	9008337-06	46
1		SCREW #4-40 X 5/16	9008101-1	47
1		NUT. REF #4-40	9008537	48
1	D12	DIODE. 1N5248B. 18V. 5%	1110786	49
1	C24	CAP. .047 UF. 18V. DISC	1000878	50

REV.	CHANGE NO.	DESCRIPTION	DATE
1			

REV.	CHANGE NO.	DESCRIPTION	DATE
1			

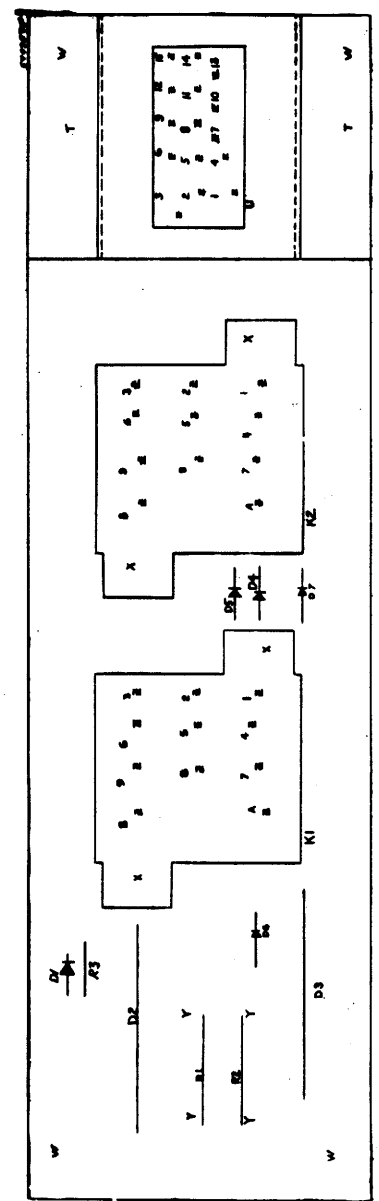
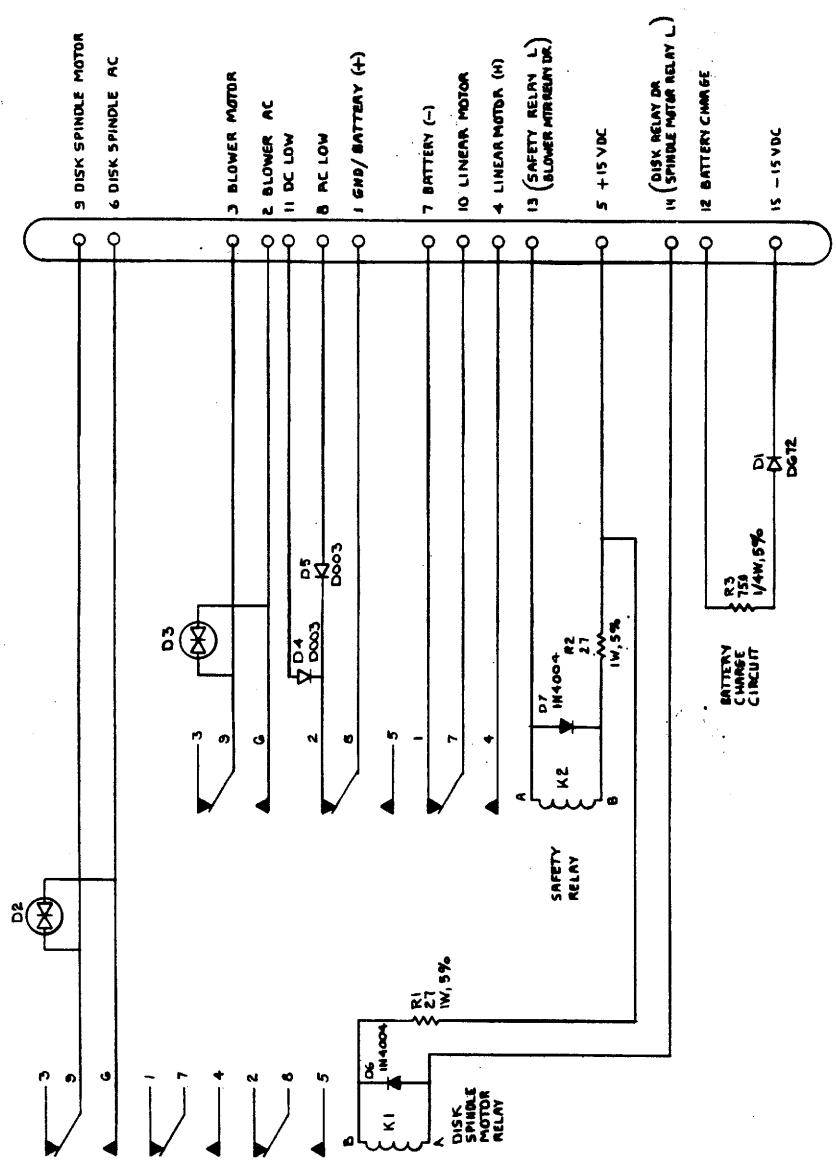


UNLESS OTHERWISE INDICATED:
RES. ARE 1/4W, 10%
R13 IS A CURRENT SAMPLING RES.

TITLE		DECPAK HEAD POS. SERVO PWR. AMP.	
EQUIPMENT CORPORATION		H804-0-1	
REV.	DATE	BY	CHK
1			
2			
3			
4			
5			
6			
7			
8			
9			
10			
11			
12			
13			
14			
15			
16			
17			
18			
19			
20			
21			
22			
23			
24			
25			
26			
27			
28			
29			
30			
31			
32			
33			
34			
35			
36			
37			
38			
39			
40			
41			
42			
43			
44			
45			
46			
47			
48			
49			
50			
51			
52			
53			
54			
55			
56			
57			
58			
59			
60			
61			
62			
63			
64			
65			
66			
67			
68			
69			
70			
71			
72			
73			
74			
75			
76			
77			
78			
79			
80			
81			
82			
83			
84			
85			
86			
87			
88			
89			
90			
91			
92			
93			
94			
95			
96			
97			
98			
99			
100			

1			
2			
3			
4			
5			
6			
7			
8			
9			
10			
11			
12			
13			
14			
15			
16			
17			
18			
19			
20			
21			
22			
23			
24			
25			
26			
27			
28			
29			
30			
31			
32			
33			
34			
35			
36			
37			
38			
39			
40			
41			
42			
43			
44			
45			
46			
47			
48			
49			
50			
51			
52			
53			
54			
55			
56			
57			
58			
59			
60			
61			
62			
63			
64			
65			
66			
67			
68			
69			
70			
71			
72			
73			
74			
75			
76			
77			
78			
79			
80			
81			
82			
83			
84			
85			
86			
87			
88			
89			
90			
91			
92			
93			
94			
95			
96			
97			
98			
99			
100			

NOTE:
 1. RELAY CONTACTS ARE SHOWN IN THE DE-ENERGIZED POSITIONS.
 2. SAFETY RELAY L AND BLOWER RTTR RELAY DR ARE THE SAME SIGNAL.
 3. SPINDLE MOTOR RELAY L AND DISK RELAY DR ARE THE SAME SIGNAL.
 4. THIS MODULE MUST BE UL APPROVED



QTY	REF DESIGNATION	DESCRIPTION	PART NO.	ITEM NO.
	F	ETCH BOARD REV		
		DATE		
		BY		
		CHECKED		
		APPROVED		
		DATE		
		BY		
		CHECKED		
		APPROVED		
		DATE		
		BY		
		CHECKED		
		APPROVED		
		DATE		
		BY		
		CHECKED		
		APPROVED		
		DATE		
		BY		
		CHECKED		
		APPROVED		
		DATE		
		BY		
		CHECKED		
		APPROVED		
		DATE		
		BY		
		CHECKED		
		APPROVED		
		DATE		
		BY		
		CHECKED		
		APPROVED		
		DATE		
		BY		
		CHECKED		
		APPROVED		
		DATE		
		BY		
		CHECKED		
		APPROVED		
		DATE		
		BY		
		CHECKED		
		APPROVED		
		DATE		
		BY		
		CHECKED		
		APPROVED		
		DATE		
		BY		
		CHECKED		
		APPROVED		
		DATE		
		BY		
		CHECKED		
		APPROVED		
		DATE		
		BY		
		CHECKED		
		APPROVED		
		DATE		
		BY		
		CHECKED		
		APPROVED		
		DATE		
		BY		
		CHECKED		
		APPROVED		
		DATE		
		BY		
		CHECKED		
		APPROVED		
		DATE		
		BY		
		CHECKED		
		APPROVED		
		DATE		
		BY		
		CHECKED		
		APPROVED		
		DATE		
		BY		
		CHECKED		
		APPROVED		
		DATE		
		BY		
		CHECKED		
		APPROVED		
		DATE		
		BY		
		CHECKED		
		APPROVED		
		DATE		
		BY		
		CHECKED		
		APPROVED		
		DATE		
		BY		
		CHECKED		
		APPROVED		
		DATE		
		BY		
		CHECKED		
		APPROVED		
		DATE		
		BY		
		CHECKED		
		APPROVED		
		DATE		
		BY		
		CHECKED		
		APPROVED		
		DATE		
		BY		
		CHECKED		
		APPROVED		
		DATE		
		BY		
		CHECKED		
		APPROVED		
		DATE		
		BY		
		CHECKED		
		APPROVED		
		DATE		
		BY		
		CHECKED		
		APPROVED		
		DATE		
		BY		
		CHECKED		
		APPROVED		
		DATE		
		BY		
		CHECKED		
		APPROVED		
		DATE		
		BY		
		CHECKED		
		APPROVED		
		DATE		
		BY		
		CHECKED		
		APPROVED		
		DATE		
		BY		
		CHECKED		
		APPROVED		
		DATE		
		BY		
		CHECKED		
		APPROVED		
		DATE		
		BY		
		CHECKED		
		APPROVED		
		DATE		
		BY		
		CHECKED		
		APPROVED		
		DATE		
		BY		
		CHECKED		
		APPROVED		
		DATE		
		BY		
		CHECKED		
		APPROVED		
		DATE		
		BY		
		CHECKED		
		APPROVED		
		DATE		
		BY		
		CHECKED		
		APPROVED		
		DATE		
		BY		
		CHECKED		
		APPROVED		
		DATE		
		BY		
		CHECKED		
		APPROVED		
		DATE		
		BY		
		CHECKED		
		APPROVED		
		DATE		
		BY		
		CHECKED		
		APPROVED		
		DATE		
		BY		
		CHECKED		
		APPROVED		
		DATE		
		BY		
		CHECKED		
		APPROVED		
		DATE		
		BY		
		CHECKED		
		APPROVED		
		DATE		
		BY		
		CHECKED		
		APPROVED		
		DATE		
		BY		
		CHECKED		
		APPROVED		
		DATE		
		BY		
		CHECKED		
		APPROVED		
		DATE		
		BY		
		CHECKED		
		APPROVED		
		DATE		
		BY		
		CHECKED		
		APPROVED		
		DATE		
		BY		
		CHECKED		
		APPROVED		
		DATE		
		BY		
		CHECKED		
		APPROVED		
		DATE		
		BY		
		CHECKED		
		APPROVED		
		DATE		
		BY		
		CHECKED		
		APPROVED		
		DATE		
		BY		
		CHECKED		
		APPROVED		
		DATE		
		BY		
		CHECKED		
		APPROVED		
		DATE		
		BY		
		CHECKED		
		APPROVED		
		DATE		
		BY		
		CHECKED		
		APPROVED		
		DATE		
		BY		
		CHECKED		
		APPROVED		
		DATE		
		BY		
		CHECKED		
		APPROVED		
		DATE		
		BY		
		CHECKED		
		APPROVED		
		DATE		
		BY		
		CHECKED		
		APPROVED		
		DATE		
		BY		
		CHECKED		
		APPROVED		
		DATE		
		BY		
		CHECKED		
		APPROVED		
		DATE		
		BY		
		CHECKED		
		APPROVED		
		DATE		
		BY		
		CHECKED		
		APPROVED		
		DATE		
		BY		
		CHECKED		
		APPROVED		
		DATE		
		BY		
		CHECKED		
		APPROVED		
		DATE		
		BY		
		CHECKED		
		APPROVED		
		DATE		
		BY		
		CHECKED		
		APPROVED		
		DATE		
		BY		

RR28,C RUN NAME	A/P	RRP28P.V34(62)-1 PIN NAME	ORDER PIN	31-Jul-75 PAY = ORDER	Q	ORAN	PV	RG	Y	X	Z	REMARKS	2-Jun-76	8156 NO FLAG	PAGE 1 LENGTH EXCEPTIONS	RUN NUMBER
+15VDC	H	A45D2		1-01 *							1				0-4/8	1
+15VDC	H	A46D1		1-02 *											0-4/8	1
+15VDC	H			1											0-4/8	1
+5VDC BULB	H	A26A1		1-01 *							1				0-4/8	2
+5VDC BUIA	H	A46A2		1-02 *											0-4/8	2
+5VDC BUIB	H			1											0-4/8	2
12A	H	A41A2		1-01 *							1				2-5/8	3
12A	H	A43A1		1-02 *											0-4/8	3
12A	H			1											2-5/8	3
AC LOW	H	A44R2		1-01 *							1				2-7/8	4
AC LOW	H	A44F1		1-02 *							2				1	4
AC LOW	H	A44F1		1-03 *											0-5/8	4
AC LOW	H			1											3-7/8	4
ADDR ACCEPTED	L	A42S1		1-01 *							1				1-2/8	5
ADDR ACCEPTED	L	A43N1		1-02 *											0-5/8	5
ADDR ACCEPTED	L			1											1-2/8	5
ADDRESS INVALID	L	A42F1		1-01 *							1				0-5/8	6
ADDRESS INVALID	L	A43E1		1-02 *											0-5/8	6
ADDRESS INVALID	L			1											0-5/8	6
BLOWER MTR RELAY DR	H	A44A1		1-01 *							1				5-5/8	7
BLOWER MTR RELAY DR	H	A46N1		1-02 *											0-5/8	7
BLOWER MTR RELAY DR	H			1											5-5/8	7
BUS ADDR ACCEPTED	L	A47R1		1-01 *							1				3-2/8	8
BUS ADDR ACCEPTED	L	A47R2		1-02 *							2				1	8
BUS ADDR ACCEPTED	L	A47R2		1-03 *											0-5/8	8
BUS ADDR ACCEPTED	L			1											4-2/8	8
BUS ADDR INVALID	L	A48T2		1-01 *							2				1	9
BUS ADDR INVALID	L	A47T2		1-02 *							1				0-1/8	9
BUS ADDR INVALID	L	A42A1		1-03 *											0-5/8	9
BUS ADDR INVALID	L			1											5-1/8	9
BUS FILE READY	L	A43M1		1-01 *							1				4-0/8	10
BUS FILE READY	L	A42M1		1-02 *							2				1	10
BUS FILE READY	L	A47M1		1-03 *											0-5/8	10
BUS FILE READY	L			1											5-0/8	10
BUS INDEX PUL	L	A47X1		1-01 *							1				0-0/8	11
BUS INDEX PUL	L	A48M1		1-02 *							2				1	11
BUS INDEX PUL	L	A47M1		1-03 *											0-5/8	11
BUS INDEX PUL	L			1											5-0/8	11
BUS P/ALS READY	L	A42M1		1-01 *							1				3-5/8	12
BUS P/ALS READY	L	A47M2		1-02 *							2				1	12
BUS P/ALS READY	L	A44M2		1-03 *											0-5/8	12
BUS P/ALS READY	L			1											4-5/8	12

RR28,C RUN NAME	A/P	RRP28P.V34(62)-1 PIN NAME	ORDER PIN	31-Jul-75 PAY = ORDER	Q	ORAN	PV	RG	Y	X	Z	REMARKS	2-Jun-76	8156 NO FLAG	PAGE 2 LENGTH EXCEPTIONS	RUN NUMBER
BUS SECTOR ADDR	L	A42M1		1-01 *							1				4-7/8	13
BUS SECTOR ADDR	L	A44M1		1-02 *							2				1	13
BUS SECTOR ADDR	L	A47M1		1-03 *											0-5/8	13
BUS SECTOR ADDR	L			1											5-7/8	13
BUS SECTOR ADDR 1	L	A42J1		1-01 *							1				3-5/8	14
BUS SECTOR ADDR 1	L	A47P2		1-02 *							2				1	14
BUS SECTOR ADDR 1	L	A44P2		1-03 *											0-5/8	14
BUS SECTOR ADDR 1	L			1											4-5/8	14
BUS SECTOR ADDR 2	L	A42L1		1-01 *							1				4-1/8	15
BUS SECTOR ADDR 2	L	A47M2		1-02 *							2				1	15
BUS SECTOR ADDR 2	L	A44M2		1-03 *											0-5/8	15
BUS SECTOR ADDR 2	L			1											5-1/8	15
BUS SECTOR ADDR 3	L	A47P1		1-01 *							1				4-1/8	16
BUS SECTOR ADDR 3	L	A47J1		1-02 *							2				1	16
BUS SECTOR ADDR 3	L	A44J1		1-03 *											0-5/8	16
BUS SECTOR ADDR 3	L			1											5-1/8	16
BUS SECTOR PULSE	L	A42F1		1-01 *							1				5-2/8	17
BUS SECTOR PULSE	L	A44M2		1-02 *							2				1	17
BUS SECTOR PULSE	L	A47M2		1-03 *											0-2/8	17
BUS SECTOR PULSE	L			1											0-2/8	17
BUS SR PROTECT STATUS	H	A44M1		1-01 *							1				2-3/8	19
BUS SR PROTECT STATUS	H	A47P1		1-02 *							2				1	19
BUS SR PROTECT STATUS	H	A44F1		1-03 *											0-5/8	19
BUS SR PROTECT STATUS	H			1											3-3/8	19
BUS WRITE CK	H	A44F1		1-01 *							1				2-3/8	20
BUS WRITE CK	H	A47M1		1-02 *							2				1	20
BUS WRITE CK	H	A44M1		1-03 *											0-5/8	20
BUS WRITE CK	H			1											3-3/8	20
COS POSITION	H	A45U1		1-01 *							1				1-5/8	21
COS POSITION	H	A46M1		1-02 *											0-5/8	21
COS POSITION	H			1											1-5/8	21
COUNT PULSE FWD	H	A45A1		1-01 *							1				5-1/8	22
COUNT PULSE FWD	H	A47M1		1-02 *											0-5/8	22
COUNT PULSE FWD	H			1											5-1/8	22
COUNT PULSE REV	H	A45C1		1-01 *							1				0-3/8	23
COUNT PULSE REV	H	A47F1		1-02 *											0-5/8	23
COUNT PULSE REV	H			1											0-3/8	23
CYC ADDR 1	L	A47M1		1-01 *							2				1	24
CYC ADDR 2	L	A48M1		1-02 *											0-0/8	24
CYC ADDR 3	L	A48L1		1-03 *							1				0-5/8	24
CYC ADDR 4	L			1											5-0/8	24

PKPS,C RUN NAME	A/P	APP288.V34(62)-1 PIN NAME	ORDER PIN	31-JUL-75 RAY = ORDER	Q	DPAW OPT	RV RG Y	X	Z	REMARKS	2-JUN-76	8156 NC FLAG	PAGE 9 LENGTH EXCEPTIONS	RUN NUMBER
SELECT 3	L	A08L2		1-01 *			D05-3		2					91
SELECT 3	L	A07L2		1-02 *			D05-3		1			1		91
SELECT 3	L	A02T2		1-03 *			D05-3					5-7/8		91
SELECT 3	L			1								6-7/8		91
SELECT 4	L	A08M2		1-01 *			D05-3		2			1		92
SELECT 4	L	A07M2		1-02 *			D05-3		1			5		92
SELECT 4	L	A02H2		1-03 *			D05-3					6-8/8		92
SELECT 4	L			1										92
SELECT/READY	L	A01H2		1-01 *			D05-1		1			2-3/8		93
SELECT/READY	L	A04V1		1-02 *					2			2-2/8		93
SELECT/READY	L	A02H1		1-03 *			D05-1							93
SELECT/READY	L			1								4-5/8		93
SELECTED READ GATE	H	A01R1		1-01 *			D05-9		1			1-3/8		94
SELECTED READ GATE	H	A02F2		1-02 *			D05-9					1-3/8		94
SELECTED READ GATE	H			1										94
SELECTED WRITE GATE	H	A01V1		1-01 *			D05-1		1			1-2/8		95
SELECTED WRITE GATE	H	A02V2		1-02 *			D05-1					1-2/8		95
SELECTED WRITE GATE	H			1										95
SET UNSAFE	L	A01U2		1-01 *			D05-1		1			2-2/8		96
SET UNSAFE	L	A04A1		1-02 *			D05-1							96
SET UNSAFE	L			1								2-2/8		96
SIN POSITION	H	A05M1		1-01 *			D05-9		1			2-5/8		97
SIN POSITION	H	A06M1		1-02 *			D05-9							97
SIN POSITION	H			1								2-5/8		97
STROBE	L	A02V1		1-01 *			D05-2		1			4-1/8		98
STROBE	L	A07H1		1-02 *			D05-2		2			1		98
STROBE	L	A08H1		1-03 *			D05-2							98
STROBE	L			1								5-1/8		98
UNSAFE	L	A01L2		1-01 *			D05-1		1			2-5/8		99
UNSAFE	L	A04V2		1-02 *			D05-1							99
UNSAFE	L			1								2-5/8		99
WRITE DATA + CLK	H	A01J1		1-01 *			D05-1		1			3-7/8		100
WRITE DATA + CLK	H	A07F2		1-02 *			D05-1		2			1		100
WRITE DATA + CLK	H	A08F2		1-03 *			D05-1							100
WRITE DATA + CLK	H			1								4-7/8		100
WRITE GATE	L	A01J2		1-01 *			D05-1		1			4-6/8		101
WRITE GATE	L	A07L2		1-02 *			D05-1		2			1		101
WRITE GATE	L	A08L2		1-03 *			D05-1							101
WRITE GATE	L			1								5-6/8		101
WRITE PROTECT SET	L	A02S1		1-01 *			D05-3		1			3-3/8		102
WRITE PROTECT SET	L	A07R2		1-02 *			D05-3		2			1		102
WRITE PROTECT SET	L	A08R2		1-03 *			D05-3							102
WRITE PROTECT SET	L			1								4-3/8		102

PKPS,C RUN NAME	A/P	APP288.V34(62)-1 PIN NAME	ORDER PIN	31-JUL-75 RAY = ORDER	Q	DPAW OPT	RV RG Y	X	Z	REMARKS	2-JUN-76	8156 NC FLAG	PAGE 10 LENGTH EXCEPTIONS	RUN NUMBER
WRITE SA OFF	L	A06M1		1-01 *			D05-7		1				3-3/8	103
WRITE SA OFF	L	A04F1		1-02 *			D05-7						3-3/8	103
WRITE SA OFF	L			1										103
WRITE SA ON	L	A06M1		1-01 *			D05-7		1				3-3/8	104
WRITE SA ON	L	A04F1		1-02 *			D05-7							104
WRITE SA ON	L			1									3-3/8	104
WRITING IND	H	A02U1		1-01 *			D05-5		1				3-2/8	105
WRITING IND	H	A06F1		1-02 *			D05-5							105
WRITING IND	H			1									3-2/8	105

PP25.C RUN NAME	A/P	PT NAME	ORDER PIN	RAY = ORDER	Q	DRAW OPT	PV	RG	Y	X	Z	REMARKS	2-Jun-76	DISC FLAG	PAGE 5 LENGTH EXCEPTIONS	RUN NUMBER
GND 06		A16C2		1-21 *							1				2-1/8	47
GND 06		A06T1		1-22 *							2				1-5/8	47
GND 06		A06C2		1-23 *							1				0-1/8	47
GND 06		A06C1		1-24 *							2				0-4/8	47
GND 06		A06E1		1-25 *							1				0-5/8	47
GND 06		A06T1		1-26 *							2				1-4/8	47
GND 06		A06T1		1-27 *							1				0-1/8	47
GND 06		A06S1		1-28 *											0-3/8	47
GND 06				1											7-0/8	47
GND 07		A07R2		1-29 *							1				0-1/8	48
GND 07		A07C2		1-30 *							2				1-5/8	48
GND 07		A07N1		1-31 *							1				0-1/8	48
GND 07		A07P1		1-32 *							2				0-1/8	48
GND 07		A07R1		1-33 *							1				0-1/8	48
GND 07		A07S1		1-34 *							2				0-1/8	48
GND 07		A07T1		1-35 *							1				0-4/8	48
GND 07		A07V1		1-36 *							2				1-3/8	48
GND 07		A07R2		1-37 *							1				0-1/8	48
GND 07		A07C2		1-38 *							2				0-1/8	48
GND 07		A07D1		1-39 *							1				0-1/8	48
GND 07		A07E1		1-40 *							2				0-1/8	48
GND 07		A07T1		1-41 *							1				1-7/8	48
GND 07		A07V2		1-42 *											0-4/8	48
GND 07				1											6-7/8	48
GND 08		A08R2		1-43 *							1				0-1/8	49
GND 08		A08C2		1-44 *							2				1-5/8	49
GND 08		A08N1		1-45 *							1				0-1/8	49
GND 08		A08P1		1-46 *							2				0-1/8	49
GND 08		A08R1		1-47 *							1				0-1/8	49
GND 08		A08S1		1-48 *							2				0-1/8	49
GND 08		A08T1		1-49 *							1				0-1/8	49
GND 08		A08V1		1-50 *							2				1-3/8	49
GND 08		A08R2		1-51 *							1				0-1/8	49
GND 08		A08C2		1-52 *							2				0-1/8	49
GND 08		A08D1		1-53 *							1				0-1/8	49
GND 08		A08E1		1-54 *							2				1-7/8	49
GND 08		A08T1		1-55 *							1				0-4/8	49
GND 08		A08V2		1-56 *											0-7/8	49
GND 08				1											6-7/8	49
GOOD STROBE	L	A02F1		1-21 *							1				1-1/8	50
GOOD STROBE	L	A02D1		1-22 *											0-3/8	50
GOOD STROBE	L			1											1-1/8	50
HEAD SELECT	L	A01P1		1-21 *							1				5-2/8	51
HEAD SELECT	L	A07M2		1-32 *							2				1	51
HEAD SELECT	L	A08M2		1-43 *											0-2/8	51
HEAD SELECT	L			1											6-2/8	51
HIGH DENSITY	L	A01P2		1-21 *							1				4-3/8	52
HIGH DENSITY	L	A07P2		1-32 *							2				1	52
HIGH DENSITY	L	A08P2		1-43 *											0-2/8	52
HIGH DENSITY	L			1											5-3/8	52

PP25.C RUN NAME	A/P	PT NAME	ORDER PIN	RAY = ORDER	Q	DRAW OPT	PV	RG	Y	X	Z	REMARKS	2-Jun-76	DISC FLAG	PAGE 6 LENGTH EXCEPTIONS	RUN NUMBER
HOME	L	A04R1		1-21 *							2				2-1/8	53
HOME	L	A03R1		1-22 *							1				2-3/8	53
HOME	L	A06F1		1-23 *											0-5/8	53
HOME	L			1											1-4/8	53
INDEX PULSE	L	A02F2		1-21 *							1				1-4/8	54
INDEX PULSE	L	A04J1		1-22 *											0-2/8	54
INDEX PULSE	L			1											1-4/8	54
INDEX/SECTOR	L	A02D1		1-21 *							1				1-7/8	55
INDEX/SECTOR	L	A04H2		1-22 *											0-2/8	55
INDEX/SECTOR	L			1											1-7/8	55
INNER LIMIT	H	A05R1		1-11 *							1				3-3/8	56
INNER LIMIT	H	A03U1		1-12 *							2				2-3/8	56
INNER LIMIT	H	A02J1		1-23 *											0-2/8	56
INNER LIMIT	H			1											5-0/8	56
INTERLOCK	L	A04H1		1-11 *							1				1-7/8	57
INTERLOCK	L	A06P1		1-22 *											0-2/8	57
INTERLOCK	L			1											1-7/8	57
LIMIT	H	A05F1		1-21 *							1				3-3/8	58
LIMIT	H	A06H1		1-22 *											0-2/8	58
LIMIT	H			1											3-3/8	58
LOAD HEADS	L	A03C1		1-21 *							1				1	59
LOAD HEADS	L	A04C1		1-22 *											0-2/8	59
LOAD HEADS	L			1											1-2/8	59
LOAD IND	H	A03T1		1-21 *							1				1-7/8	60
LOAD IND	H	A04T1		1-22 *											0-2/8	60
LOAD IND	H			1											1-7/8	60
LOAD SW	L	A06F1		1-21 *							1				3-3/8	61
LOAD SW	L	A04D1		1-22 *											0-2/8	61
LOAD SW	L			1											3-3/8	61
MOVE	L	A03I1		1-11 *							1				4-1/8	62
MOVE	L	A02P1		1-22 *											0-2/8	62
MOVE	L			1											4-1/8	62
NO PROTECT	L	A01N2		1-21 *							1				3-5/8	63
NO PROTECT	L	A04G1		1-22 *											0-2/8	63
NO PROTECT	L			1											3-5/8	63
ODD DRIVE	L	A02J2		1-21 *							1				3-3/8	64
ODD DRIVE	L	A03F2		1-22 *											0-2/8	64
ODD DRIVE	L			1											3-3/8	64
ON	L	A02A1		1-21 *							1				2-1/8	65
ON	L	A03M1		1-22 *											0-2/8	65
ON	L			1											2-1/8	65