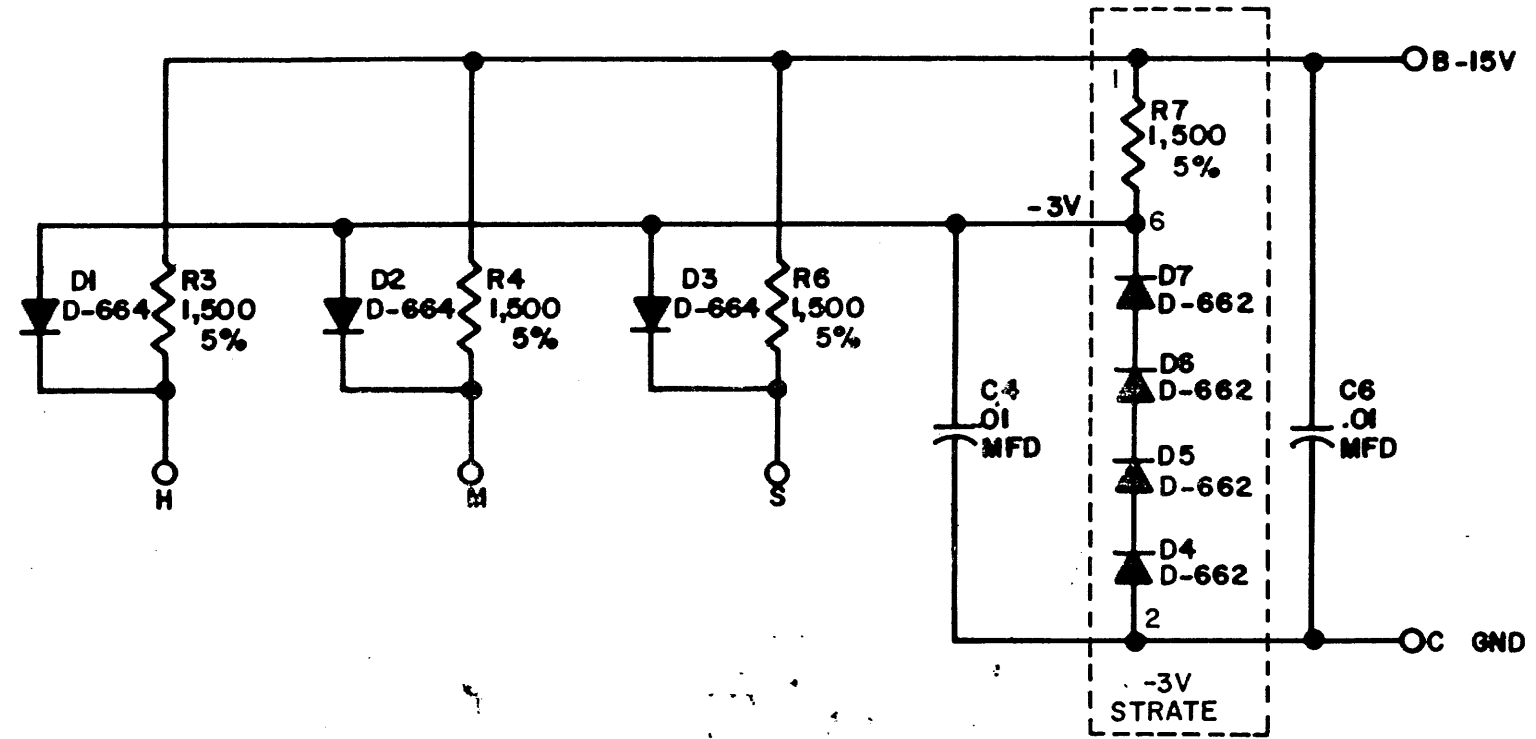
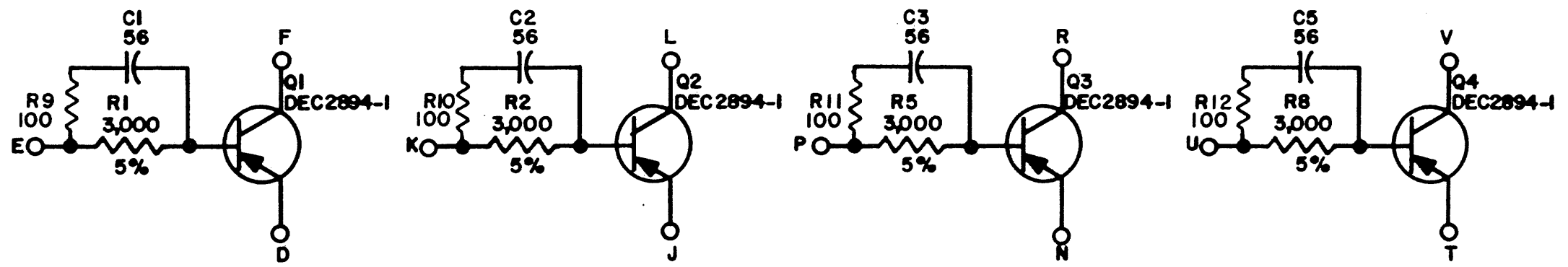
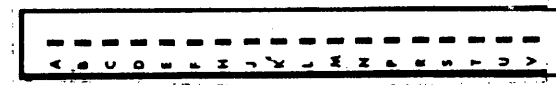


THIS SCHEMATIC IS FURNISHED ONLY FOR TEST AND MAINTENANCE PURPOSES. THE CIRCUITS ARE PROPRIETARY IN NATURE AND SHOULD BE TREATED ACCORDINGLY. COPYRIGHT 1964 BY DIGITAL EQUIPMENT CORPORATION



UNLESS OTHERWISE INDICATED:
RESISTORS ARE 1/4W; 10%
CAPACITORS ARE MMFD



REVISIONS	CHK	CHG NO.	REV.
	DAW	5030	I
	REV. & REDR.	5380	C

DRN. H PORTER	DATE 4-28-64
CHK'D N PERRYMAN	DATE 5-4-64
ENG. B SCUDNEY	DATE 5-4-64
PROD.	DATE

TRANSISTOR & DIODE CONVERSION CHART			
DEC		EIA	
DEC2894-1		NONE	
D662		IN645	
D664		IN3606	

digital
EQUIPMENT CORPORATION
MAYNARD, MASSACHUSETTS

TITLE INVERTER B104			
SIZE B	CODE CS	NUMBER B104-0-1	REV. C
PRINTED CIRCUIT REV.			C