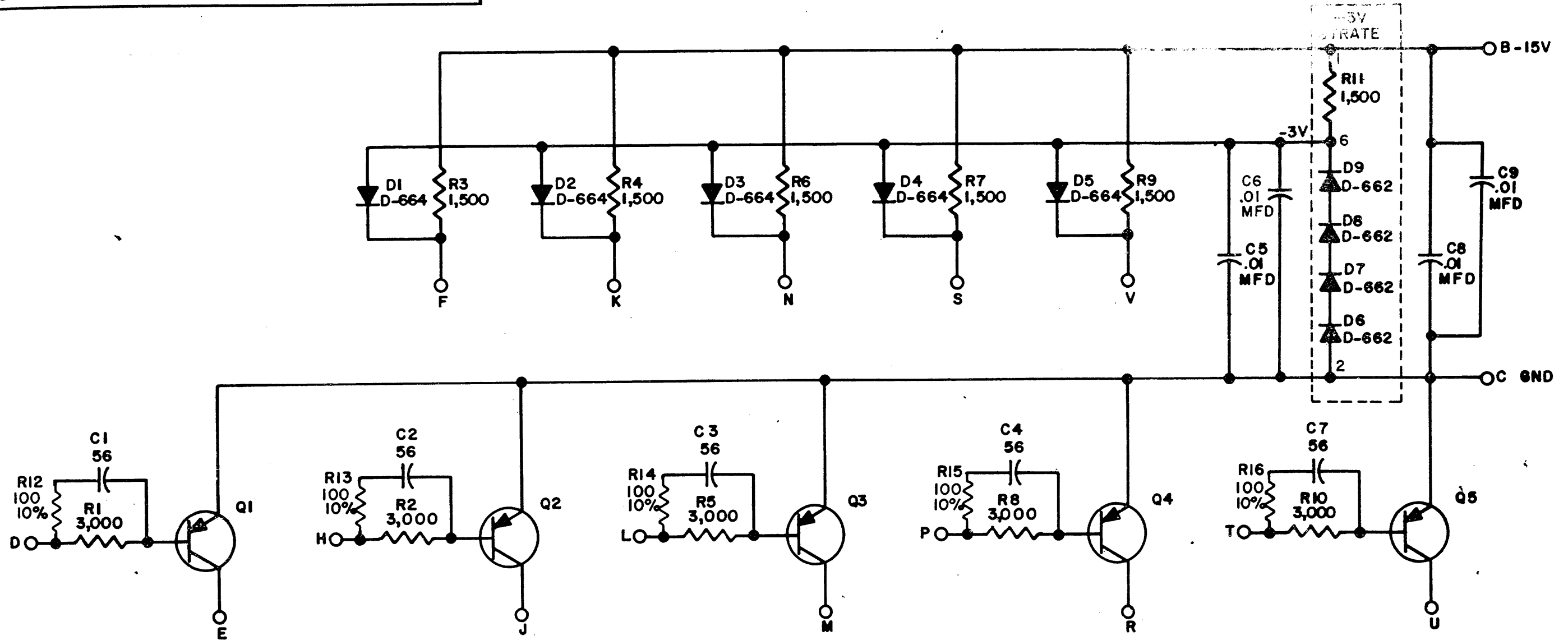


THIS SCHEMATIC IS FURNISHED ONLY FOR TEST AND MAINTENANCE PURPOSES. THE CIRCUITS ARE PROPRIETARY IN NATURE AND SHOULD BE TREATED ACCORDINGLY. COPYRIGHT 1964 BY DIGITAL EQUIPMENT CORPORATION



UNLESS OTHERWISE INDICATED:
 RESISTORS ARE 1/4W; 5%
 CAPACITORS ARE MMFD
 TRANSISTORS ARE DEC 2894-1B



REVISIONS	CHK	CHG NO.	REV.
	DAW	5269	3
	REV. & REDR.	5381	E

DRN.	H PORTER	DATE	4-29-64
CHK'D	N PERRYMAN	DATE	5-4-64
ENG.	B SCUDNEY	DATE	5-4-64
PROD.		DATE	

TRANSISTOR & DIODE CONVERSION CHART			
DEC	EIA	DEC	EIA
DEC2894-1B	NONE		
D662	1N645		
D664	1N3606		

digital		EQUIPMENT CORPORATION		MAYNARD, MASSACHUSETTS	
----------------	--	-----------------------	--	------------------------	--

TITLE					
INVERTER B105					
SIZE	CODE	NUMBER		REV.	
B	CS	B105-0-1		E	
PRINTED CIRCUIT REV. D					

SIZE	CODE	NUMBER		REV.	
B	CS	B105-0-1		E	
PRINTED CIRCUIT REV. D					