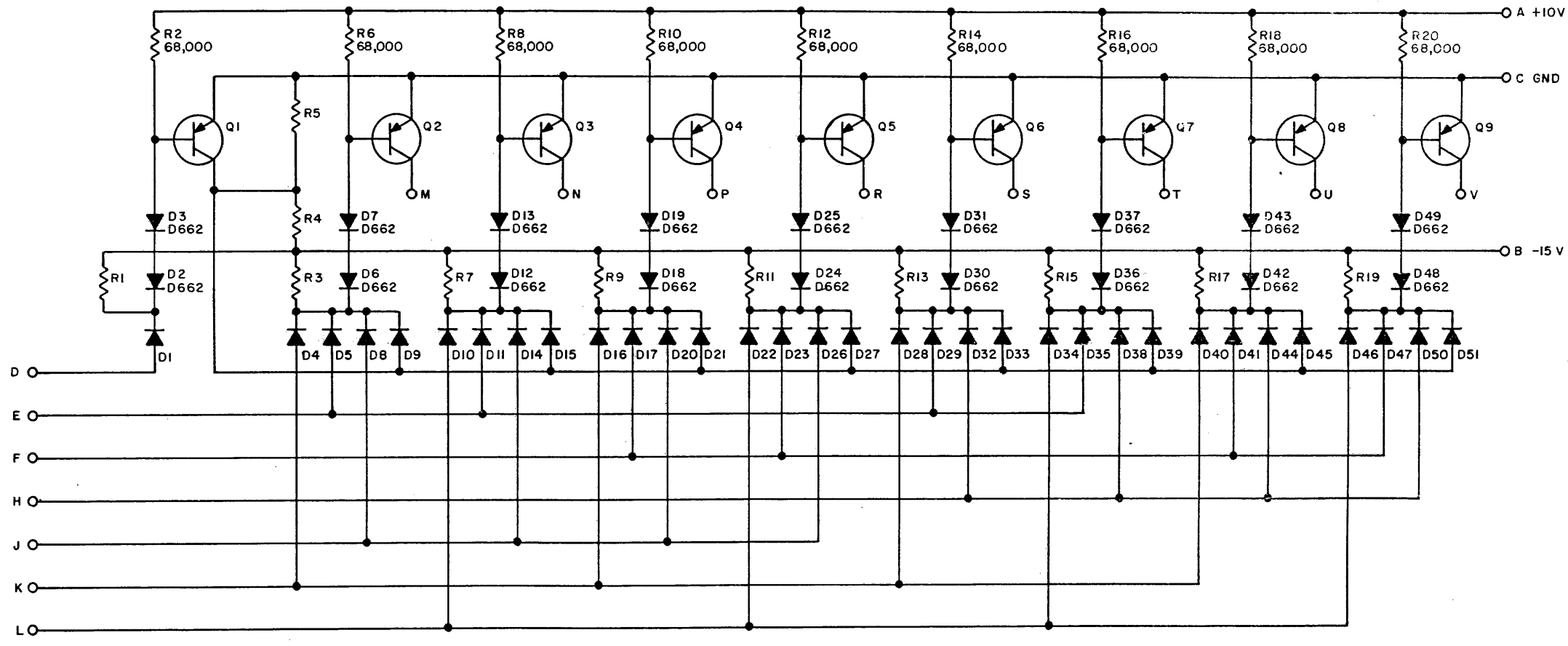


THIS SCHEMATIC IS FURNISHED ONLY FOR TEST AND MAINTENANCE PURPOSES. THE CIRCUITS ARE PROPRIETARY IN NATURE AND SHOULD BE TREATED ACCORDINGLY. COPYRIGHT 1967 BY DIGITAL EQUIPMENT CORPORATION



UNLESS OTHERWISE INDICATED:
 RESISTORS ARE 7,500
 RESISTORS ARE 1/4 W, 5%
 DIODES ARE D664
 TRANSISTORS ARE 2N4258

REV. 1
 NUMBER B152-0-1
 SIZE CODE C CS

| | | | | | | | | | | |
|-------------------------------|---------------------------------------|-------------------------------------|-------------|----------------------|-----|---|------------------------------------|----------|-----------------|----------|
| REVISIONS CHK CHG NO. REV. | DRN. <i>M. Miller</i> DATE 5-17-67 | TRANSISTOR & DIODE CONVERSION CHART | | | | digital EQUIPMENT CORPORATION MAYNARD, MASSACHUSETTS | TITLE BINARY TO OCTAL DECODER B152 | | | |
| | CHK'D. <i>S. Schuman</i> DATE 5/17/67 | DEC 2N4258 | EIA SAME | DEC | EIA | | SIZE C | CODE CS | NUMBER B152-0-1 | REV. |
| | ENG. <i>A. Kotok</i> DATE 5-23-67 | D662 IN845 | D664 IN3606 | PRINTED CIRCUIT REV. | A | | B152-0-1 | B152-0-1 | B152-0-1 | B152-0-1 |
| | PROD. DATE | D662 IN845 | D664 IN3606 | PRINTED CIRCUIT REV. | A | | B152-0-1 | B152-0-1 | B152-0-1 | B152-0-1 |

DEC FORM NO.