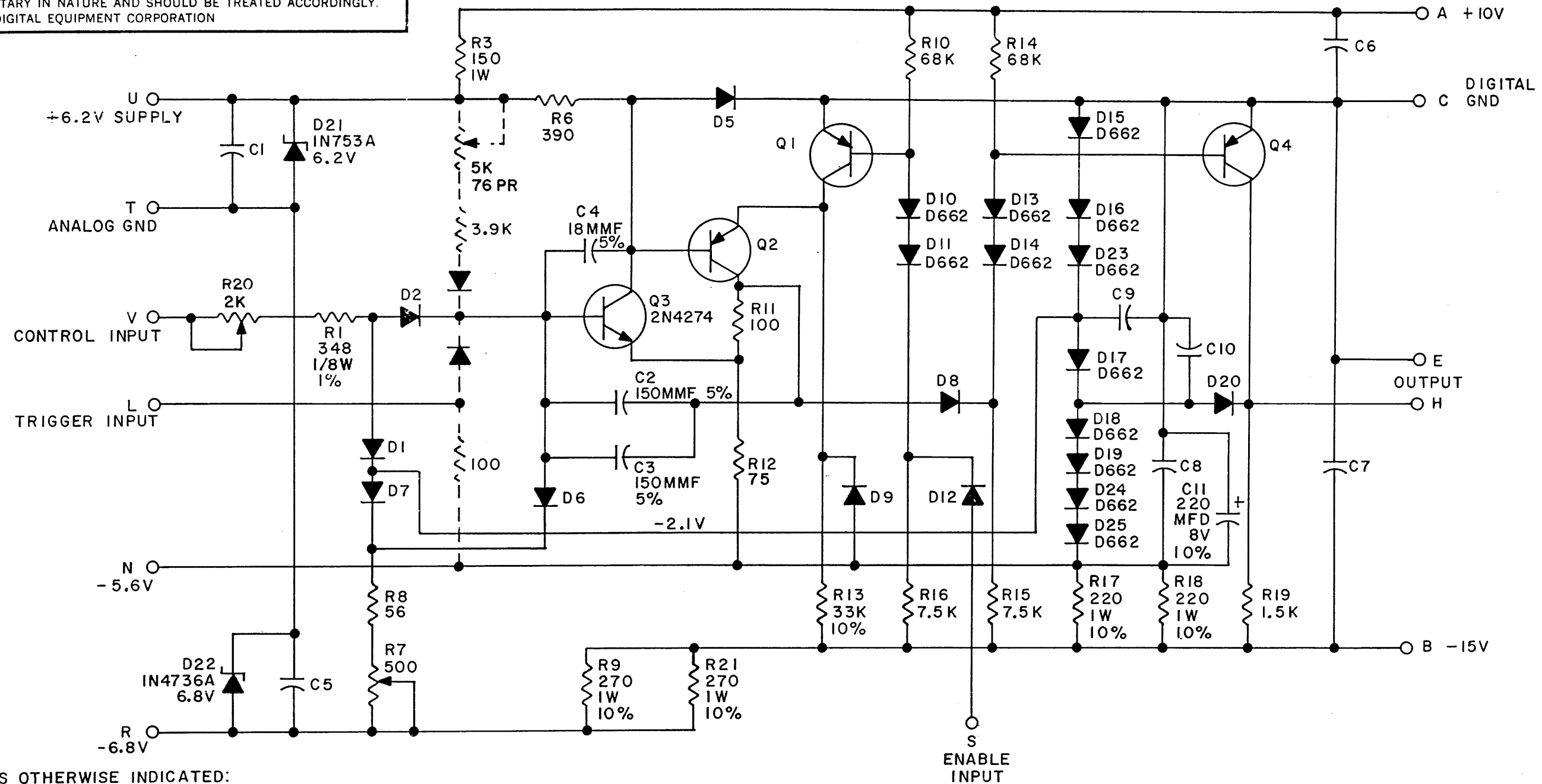


THIS SCHEMATIC IS FURNISHED ONLY FOR TEST AND MAINTENANCE PURPOSES. THE CIRCUITS ARE PROPRIETARY IN NATURE AND SHOULD BE TREATED ACCORDINGLY. COPYRIGHT 1969 BY DIGITAL EQUIPMENT CORPORATION



UNLESS OTHERWISE INDICATED:
 RESISTORS ARE 1/4W, 5%
 DIODES ARE D664
 TRANSISTORS ARE DEC4258
 DOTTED COMPONENTS ARE OPTIONAL
 CAPACITORS ARE .01 MFD, 100V, 20%
 R7, R20 ARE 76PR HELITRIM POT, 3/4W, 10%

REV. NO.	CHK	CHG	NO.	REV.
1			00001	C
2			00002	D

DRN. <i>M. Waller</i>	DATE 7-11-69
CHK'D	DATE 7/1/69
ENG. <i>C. W. S. Fo</i>	DATE 9/11/69
PROD.	DATE

TRANSISTOR & DIODE CONVERSION CHART			
DEC	EIA	DEC	EIA
D662	IN645	DEC4258	2N4258
D664	IN3606	2N4274	SAME
IN753A	SAME		
IN4736A	SAME		

digital
 EQUIPMENT CORPORATION
 MAYNARD, MASSACHUSETTS

TITLE VFO CLOCK B410			
SIZE B	CODE CS	NUMBER B410-0-1	REV. D
PRINTED CIRCUIT REV.			